



US00RE48399E

(19) **United States**
(12) **Reissued Patent**
Chen et al.

(10) **Patent Number: US RE48,399 E**
(45) **Date of Reissued Patent: Jan. 19, 2021**

(54) **DISTRIBUTED WINDING ARRANGEMENT FOR AN ELECTRIC MOTOR**

USPC 310/179, 180, 184, 198, 220, 224, 225,
310/234
See application file for complete search history.

(71) Applicant: **BLACK & DECKER INC.**, New Britain, CT (US)

(56) **References Cited**

(72) Inventors: **Wei Chen**, Suzhou (CN); **Jin Fujun**, Suzhou (CN); **Steven Swaddle**, County Durham (GB); **Timothy W. French, Jr.**, Hampstead, MD (US)

U.S. PATENT DOCUMENTS

2,502,964 A 2/1948 Klima
2,598,464 A 5/1952 Thomas H02K 23/32
310/206
3,733,506 A 5/1973 Jaffe et al.
4,329,610 A * 5/1982 Klein H02K 23/30
310/198

(73) Assignee: **Black & Decker Inc.**, New Britain, CT (US)

(Continued)

(21) Appl. No.: **16/108,854**

FOREIGN PATENT DOCUMENTS

(22) Filed: **Aug. 22, 2018**

DE 1036007 B 8/1958
DE 10360007 8/1958

Related U.S. Patent Documents

(Continued)

Reissue of:

(64) Patent No.: **9,425,663**
Issued: **Aug. 23, 2016**
Appl. No.: **13/942,298**
Filed: **Jul. 15, 2013**

OTHER PUBLICATIONS

EP EESR dated Oct. 20, 2014 in EP application No. 13180771.1. PCT/US2013/055105 ISR and Written Opinion dated Oct. 20, 2014.

U.S. Applications:

(60) Provisional application No. 61/684,191, filed on Aug. 17, 2012.

Primary Examiner — Minh Nguyen

(74) *Attorney, Agent, or Firm* — Stephen R. Valancius

(51) **Int. Cl.**
H02K 3/12 (2006.01)
H02K 23/30 (2006.01)
H02K 23/38 (2006.01)

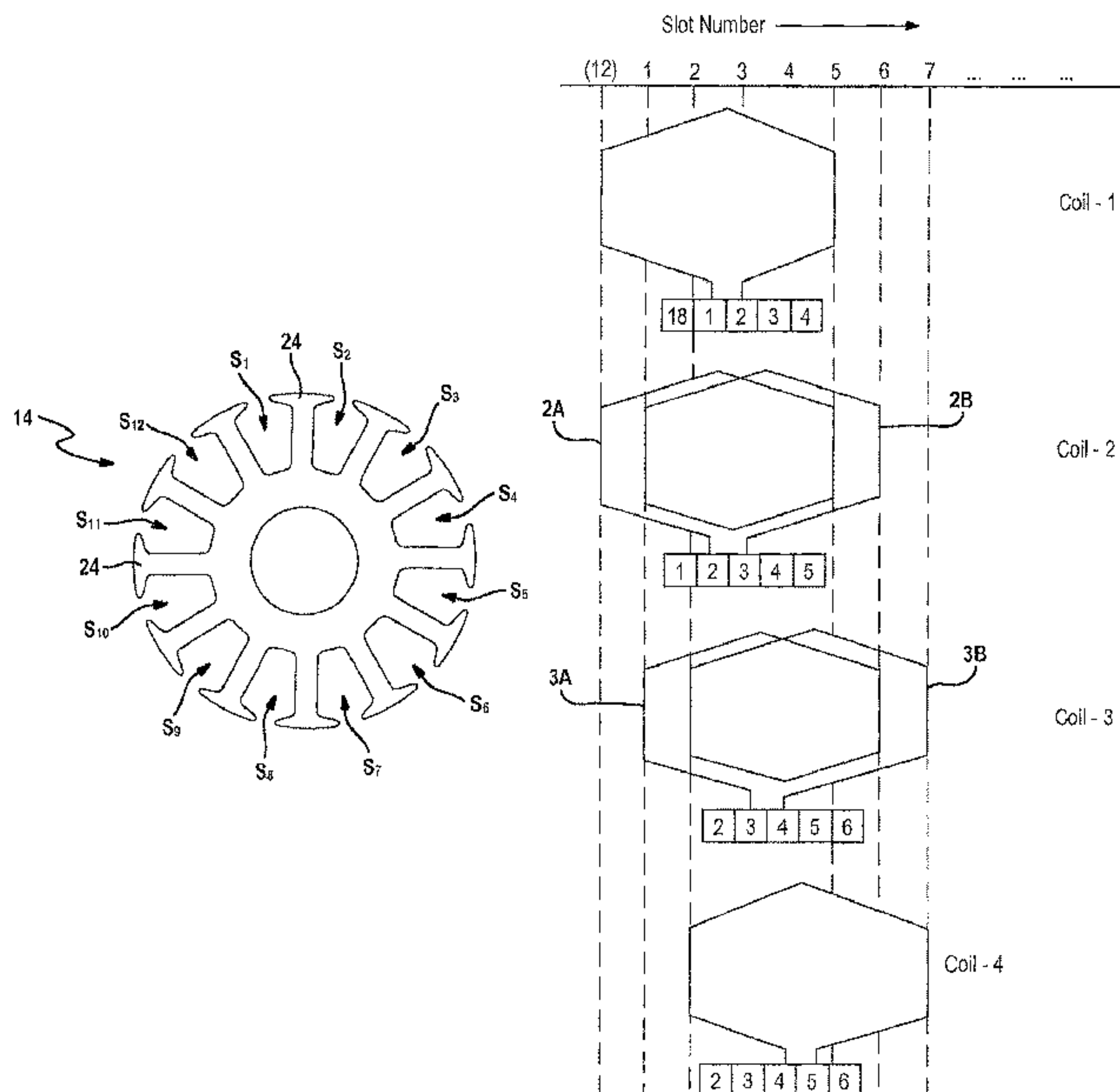
(57) **ABSTRACT**

A distributed winding arrangement for an electric motor is provided that reduces brush arcing while reducing the size of the commutator. The electric motor is comprised generally of an armature having a plurality of spaced apart posts defining a plurality of spaced apart winding slots; a stator disposed coaxially with the armature; and a commutator having a plurality of commutator bars, where the number of commutator bars is an integer greater than the number of winding slots but less than twice the number of winding slots provided by the armature.

(52) **U.S. Cl.**
CPC **H02K 3/12** (2013.01); **H02K 23/30** (2013.01); **H02K 23/38** (2013.01); **H02K 2213/03** (2013.01)

(58) **Field of Classification Search**
CPC H02K 3/00; H02K 3/12; H02K 23/26; H02K 23/28; H02K 23/30; H02K 23/32; H02K 23/38

15 Claims, 6 Drawing Sheets



US RE48,399 E

Page 2

(56)

References Cited

U.S. PATENT DOCUMENTS

4,857,790 A * 8/1989 Kamiyama H02K 23/26
310/198
6,566,782 B1 5/2003 Wang
6,841,914 B2 * 1/2005 Maeda H02K 23/26
310/198
6,930,429 B2 * 8/2005 Wang H02K 23/30
310/198
7,000,307 B2 * 2/2006 Wang H02K 23/30
29/596
7,051,420 B2 5/2006 Wang
7,155,811 B2 1/2007 Wang
7,274,126 B2 * 9/2007 Walter H02K 23/30
310/198
7,388,312 B2 6/2008 Hyodo et al.
7,567,007 B2 7/2009 Furui
7,723,890 B2 5/2010 Sakurai H02K 23/26
310/195
8,193,673 B2 6/2012 Zhao et al.
2006/0244334 A1 11/2006 Furui
2008/0016673 A1 1/2008 Walter et al.
2009/0236928 A1 9/2009 Hawighorst
2011/0012470 A1 1/2011 Li et al.

2011/0127871 A1 6/2011 Roos
2011/0260569 A1 10/2011 Liu et al.
2011/0260573 A1 10/2011 Liu et al.

FOREIGN PATENT DOCUMENTS

DE 109482 11/1974
DE 109482 A1 11/1974
DE 19818104 6/1999
DE 19818104 C1 6/1999
DE 102004012432 9/2005
DE 102004012432 A1 9/2005
DE 102011018294 11/2011
DE 102011018294 A1 11/2011
DE 102011081035 2/2013
DE 102011081035 A1 2/2013
GB 816121 7/1959
GB 816121 A 7/1959
JP 2008278689 11/2008
JP 2008278689 A 11/2008
JP 2010068668 3/2010
JP 2010068668 A 3/2010
JP 2013013267 1/2013
JP 2013013267 A 1/2013

* cited by examiner

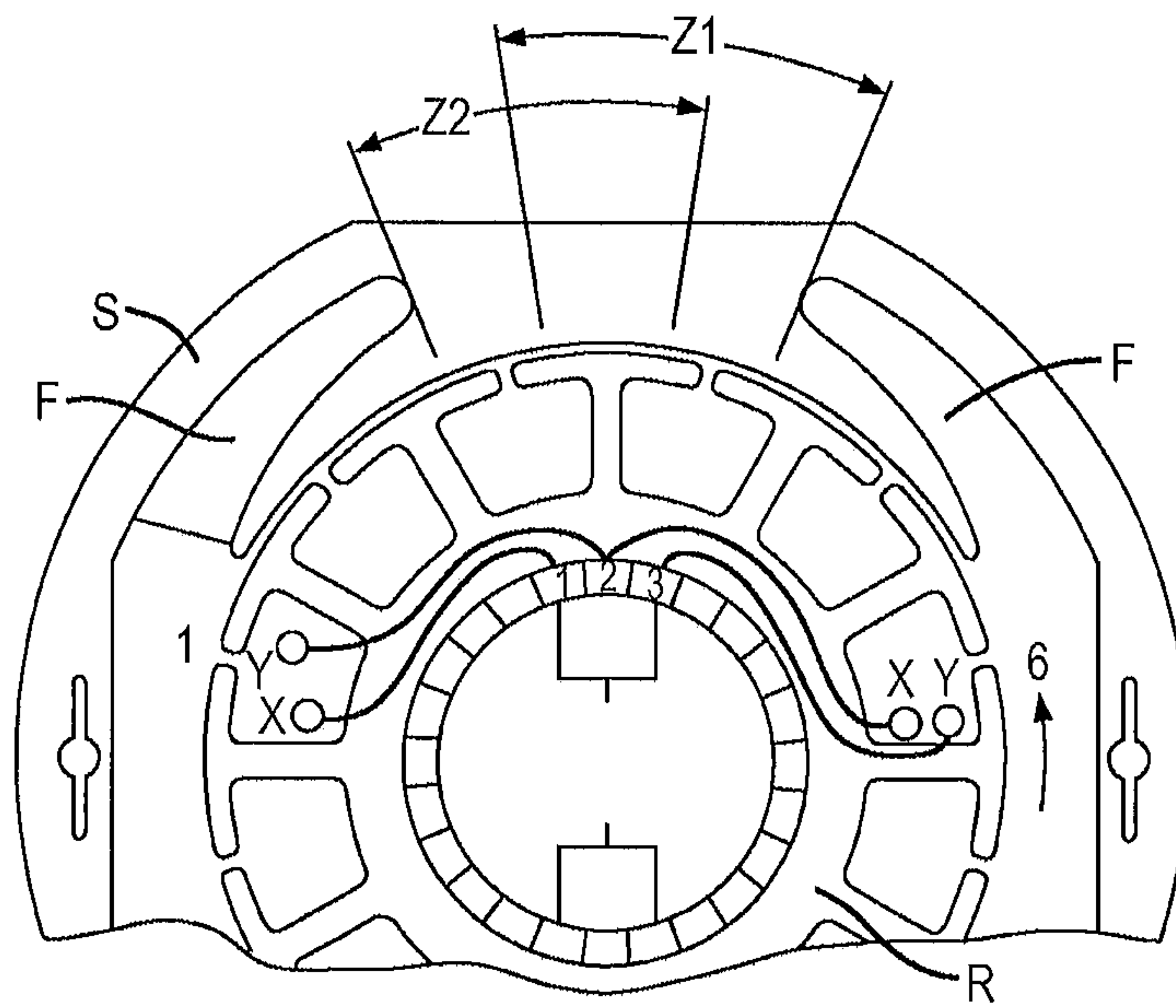


FIG. 1
Prior Art

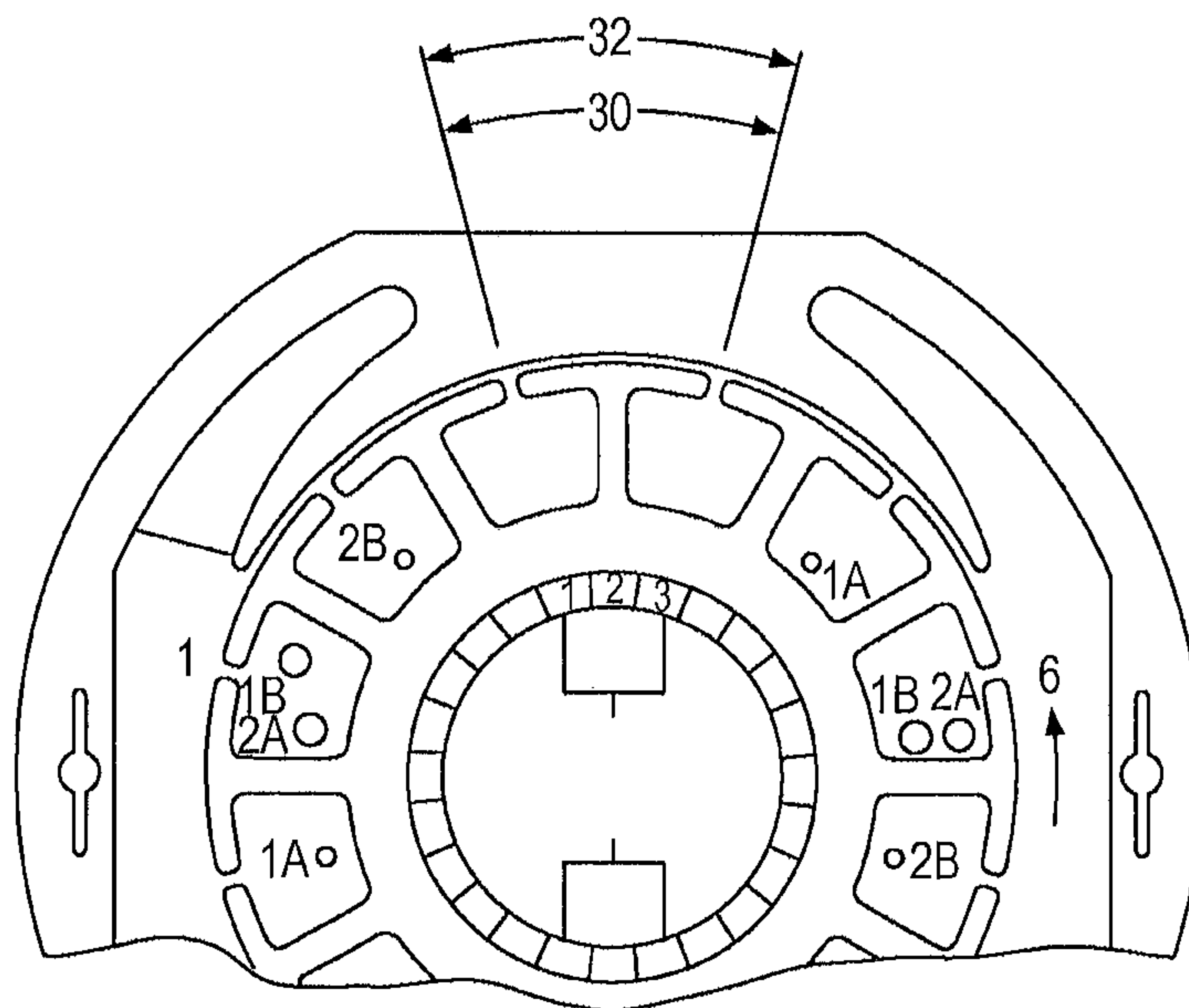


FIG. 6

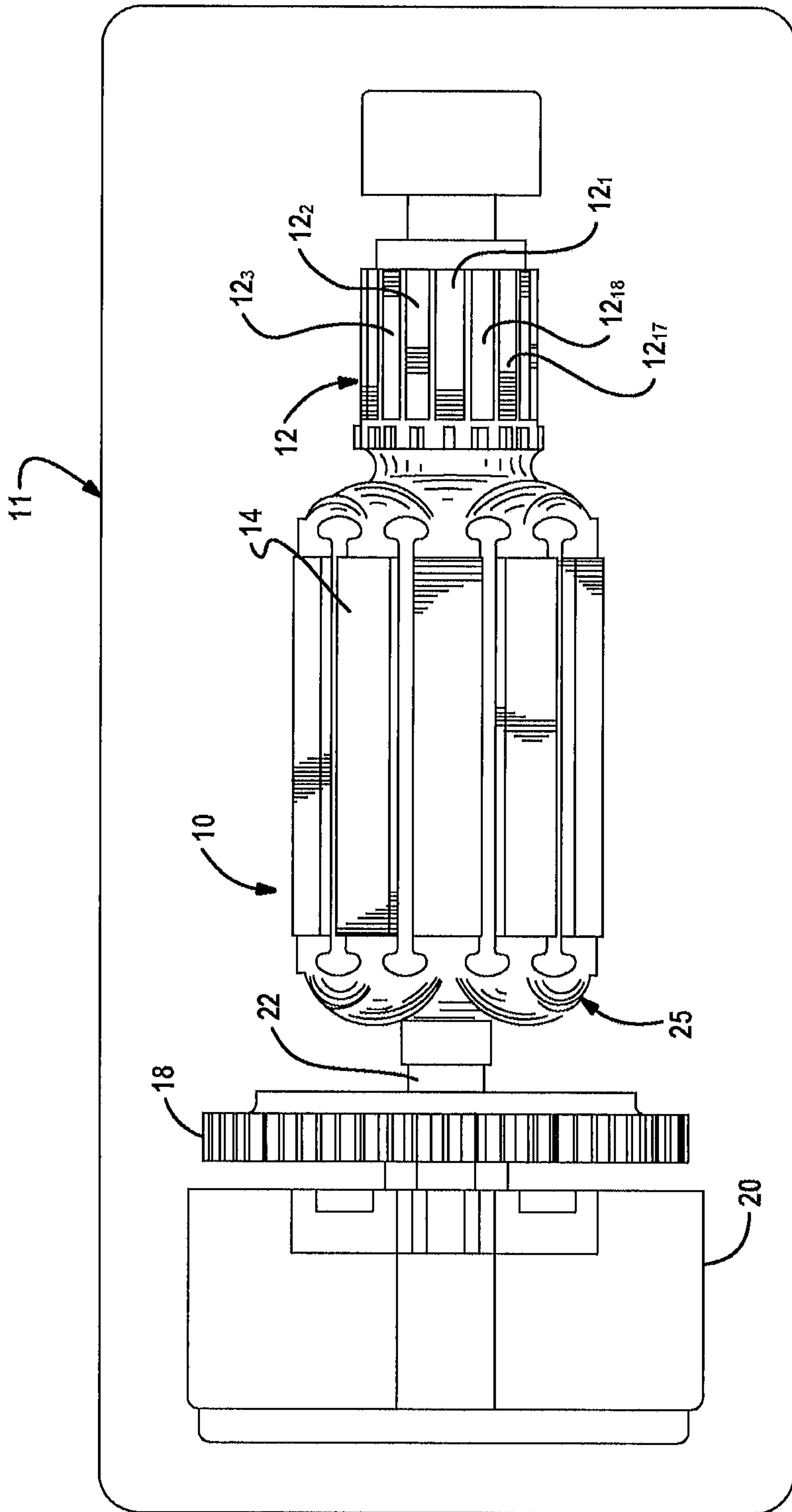


FIG. 2

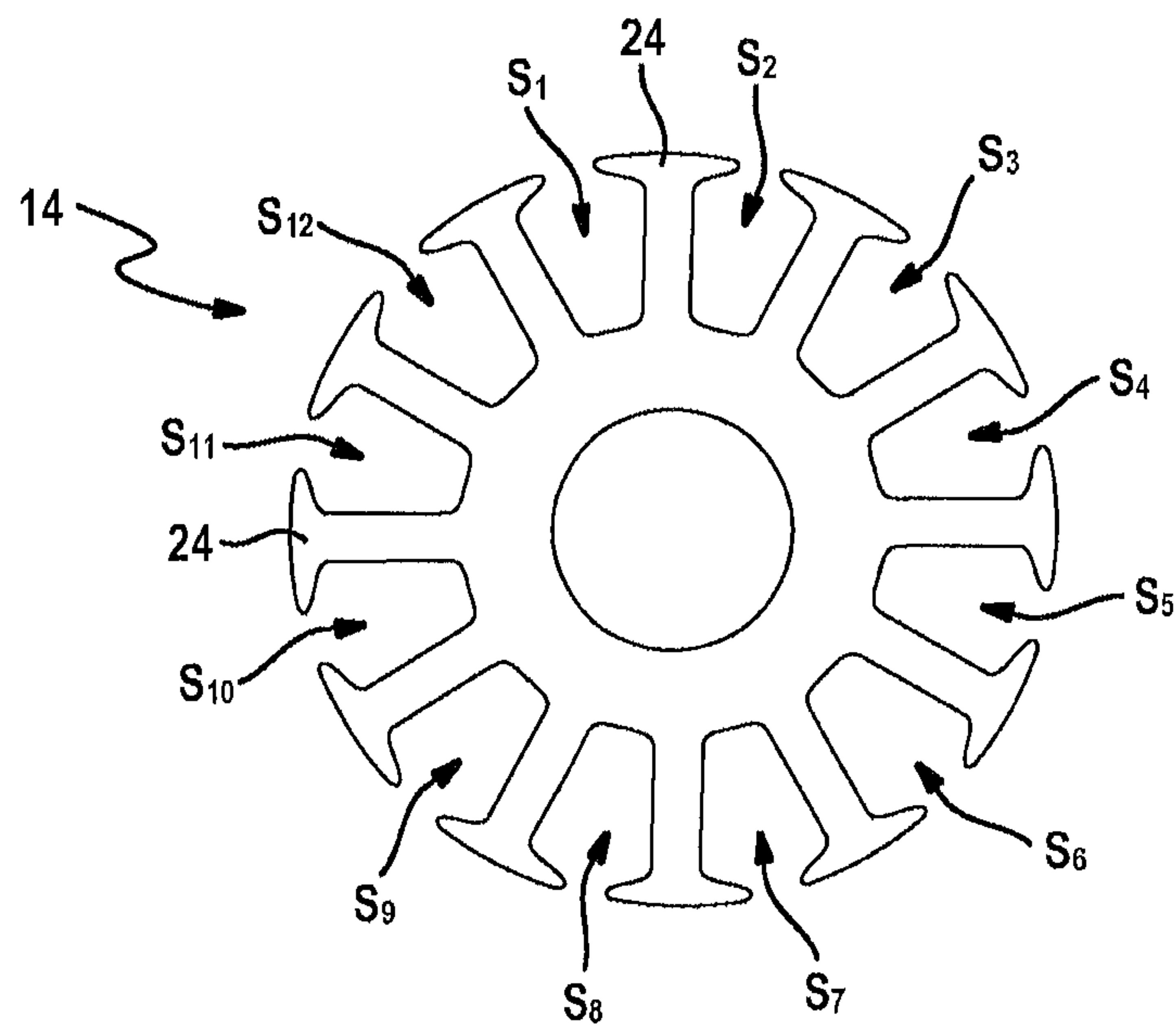


FIG. 3

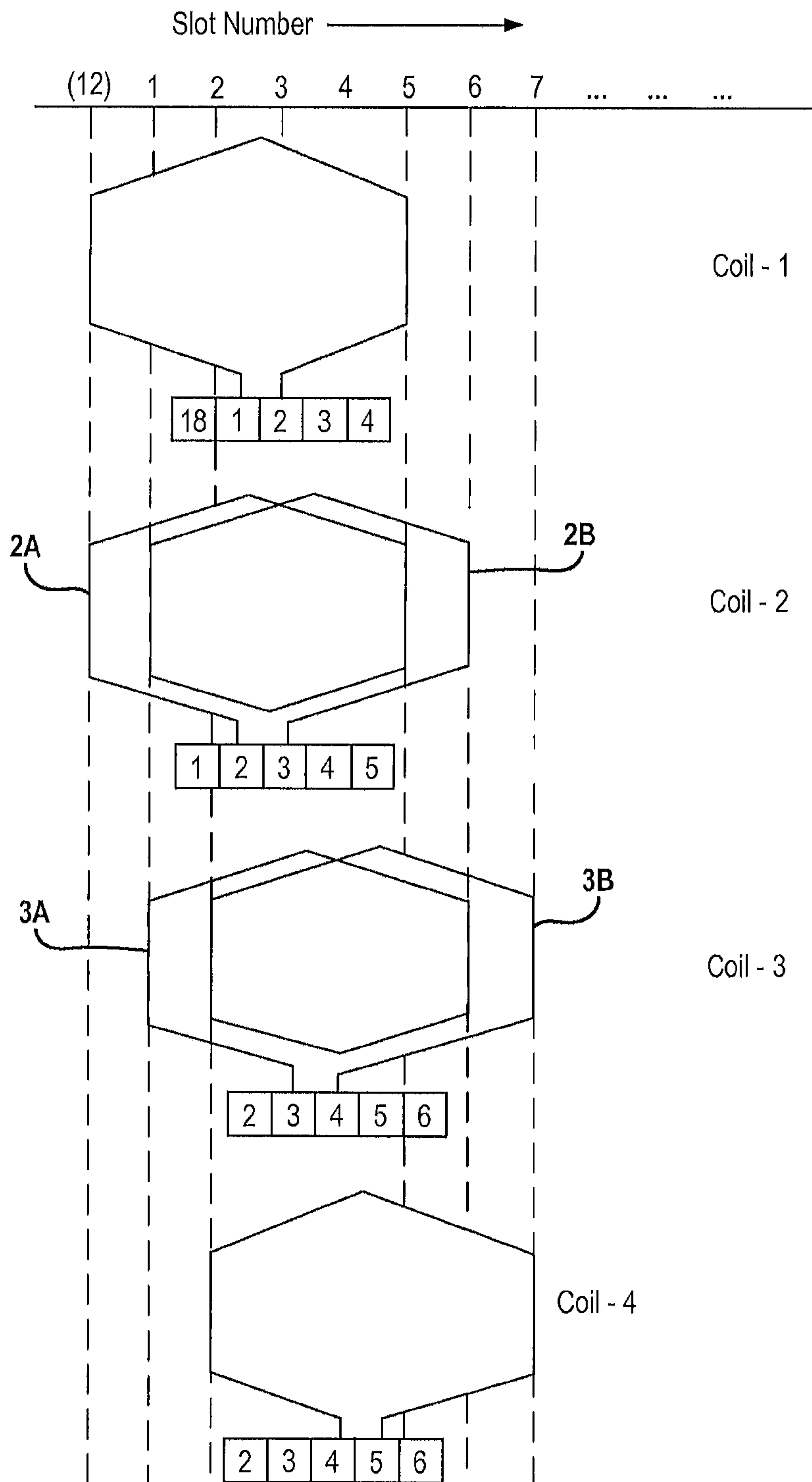


FIG. 4

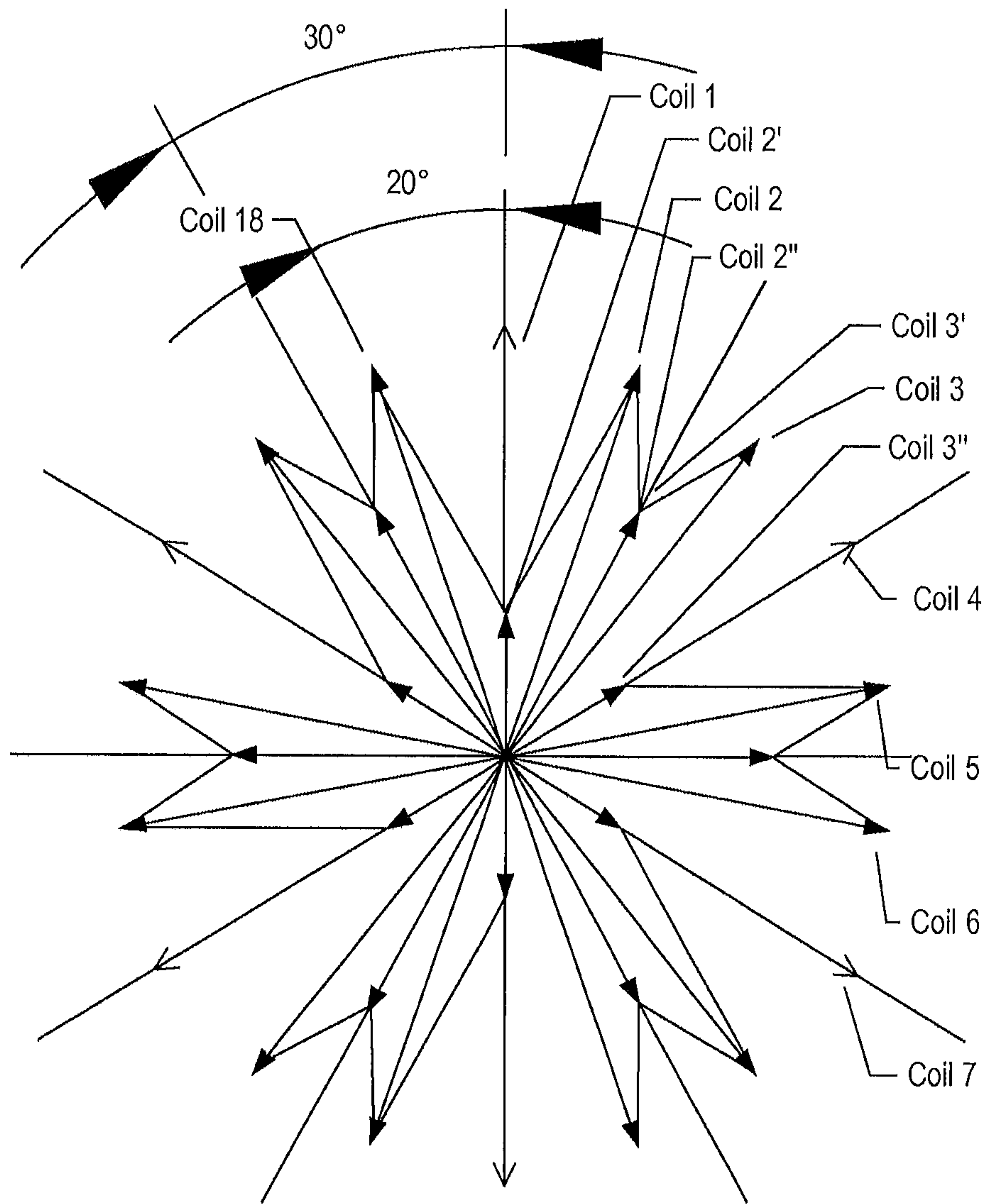


FIG. 5

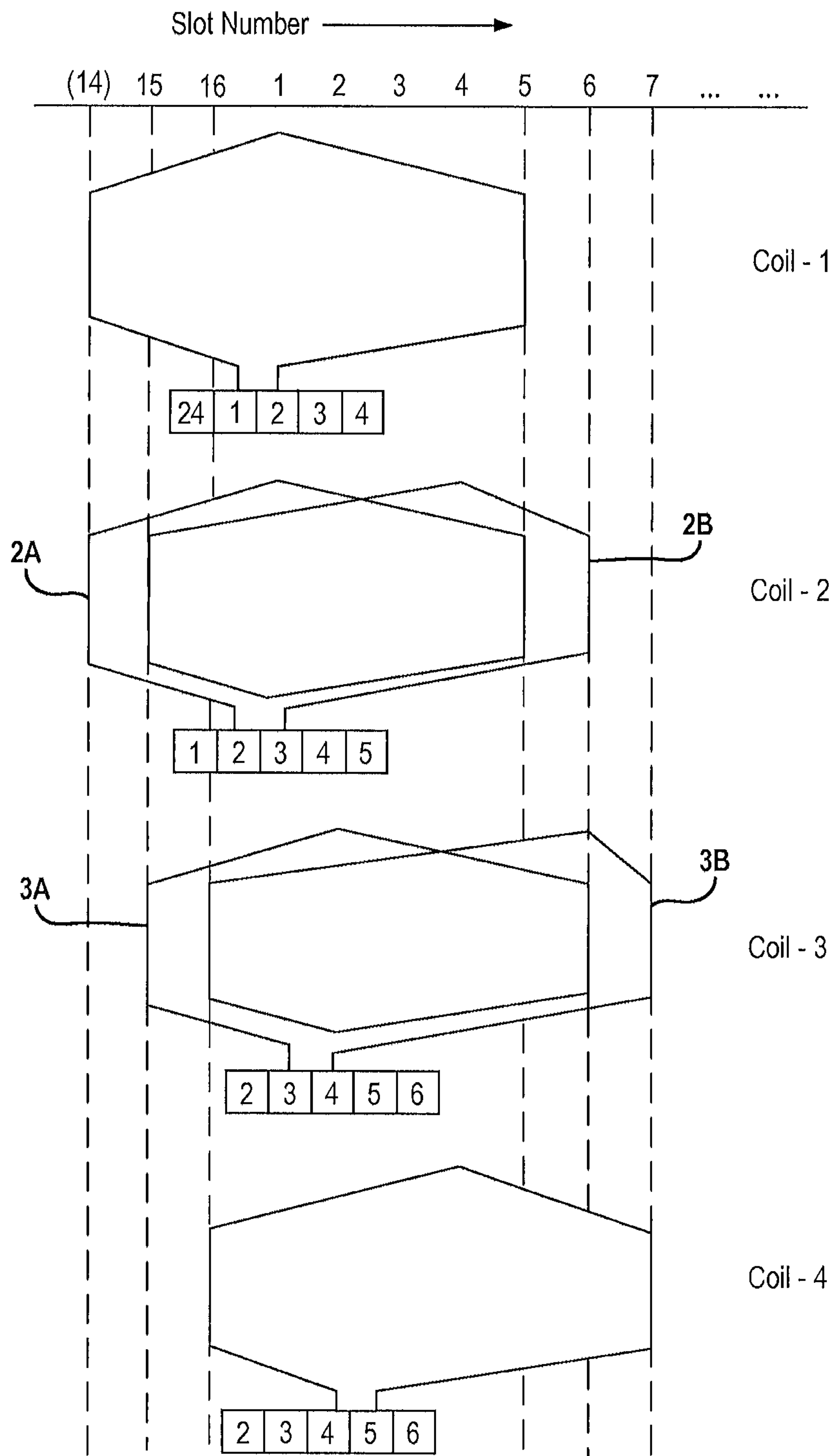


FIG. 7

DISTRIBUTED WINDING ARRANGEMENT FOR AN ELECTRIC MOTOR

Matter enclosed in heavy brackets [] appears in the original patent but forms no part of this reissue specification; matter printed in italics indicates the additions made by reissue; a claim printed with strikethrough indicates that the claim was canceled, disclaimed, or held invalid by a prior post-patent action or proceeding.

CROSS-REFERENCE TO RELATED APPLICATIONS

This is an application for a reissue of U.S. Pat. No. 9,425,663 (patent application Ser. No. 13/942,298). U.S. Pat. No. 9,425,663 and this application claims the benefit of U.S. Provisional Application No. 61/684,191 filed Aug. 17, 2012. The entire [disclosure] disclosures of the above [application is] applications are incorporated herein by reference.

FIELD

The present disclosure relates to electric motors and more particularly to a distributed winding arrangement that reduces brush arcing while reducing the size of the commutator.

BACKGROUND

Brush commutated electric motors generally include an armature having a plurality of coils wound in slots formed in the lamination stack of the armature. With traditional motor designs, the lamination stack of the armature forms a plurality of circumferentially arranged slots extending between adjacent pairs of lamination posts. Two coils per slot are typically used when winding the armature coils on the lamination stack. Among the two coils of the same slot, the one which commutates first is referred to as the first coil and the one which commutates second as the second coil. The second coil has inherently poorer magnetic commutation than the first coil because the second coil passes beyond the magnetic neutral zone within the stator before it finishes commutation. This is illustrated in simplified fashion in FIG. 1, wherein the commutation zone of the first coil is designated by Z_1 and the commutation zone of the second coil is designated by Z_2 . A rotor R is shown positioned within the stator S having field coils F. As a result, the second coil commutation can generate significant brush arcing, and becomes the dominant source of the total brush arcing of the motor. This can also cause electro-magnetic interference (EMI) to be generated which exceeds acceptable levels set by various government regulatory agencies. This brush arcing can also lead to accelerated brush wear.

To address these concerns, distributed winding arrangements have been developed that reduce brush arcing and improve commutation efficiency of an electric motor. It remains desirable, however, to reduce the size and cost of electric motors while maintaining the improved commutation performance achieved by the distributed winding arrangements. This section provides background information related to the present disclosure which is not necessarily prior art.

SUMMARY

A distributed winding arrangement is provided for an electric motor that reduces brush arcing while reducing the

size of the commutator. The electric motor is comprised generally of an armature having a plurality of spaced apart posts defining a plurality of spaced apart winding slots; a stator disposed coaxially with the armature; and a commutator having a plurality of commutator bars, where the number of commutator bars is an integer greater than the number of winding slots but less than twice the number of winding slots provided by the armature.

In one arrangement, the number of commutator bars is defined as one and one half times the number of winding slots defined by the armature. Accordingly, the winding arrangement for the armature includes at least a first coil, a second coil, and a third coil. The first coil is wound only in a first pair of spaced apart ones of the winding slots. The second coil has first and second subcoil portions serially coupled together, such that the first subcoil portion is wound in the first pair of spaced apart winding slots, and the second subcoil portion is wound in a second pair of spaced apart winding slots that are circumferentially offset from the first pair of spaced apart winding slots. The first coil and the first subcoil portion of the second coil are wound with different number of winding turns so that a resultant magnetic axis of the first coil lies at a predetermined angular position relative to a first pair of commutator bars to which the first coil is secured.

The third coil has a first and second subcoil portions serially coupled together, such that the first subcoil portion is wound in the second pair of spaced apart winding slots, and the second subcoil portion is wound in a third pair of spaced apart winding slots that are circumferentially offset from the second pair of spaced apart winding slots. The second subcoil portion of the second coil and the first subcoil portion of the third coil are wound with different number of winding turns so that a resultant magnetic axis of the second coil lies at a predetermined angular position relative to a second pair of commutator bars to which the second coil is secured.

More specifically, the first subcoil portion of the second coil has a number of winding turns that is one third the number of winding turns of the first coil, and the second subcoil portion of the second coil has a number of winding turns that is two thirds the number of winding turns of the first coil.

Similarly, the subcoil portion of the third coil has a number of winding turns that is two thirds the number of winding turns of the first coil, and the second subcoil portion of the third coil has a number of winding turns that is one third the number of winding turns of the first coil.

The winding arrangement may further include a fourth coil that is wound only in the third pair of spaced apart winding slots. The second subcoil portion of the third coil and the fourth coil are wound with different number of winding turns so that a resultant magnetic axis of the third coil lies at a predetermined angular position relative to a third pair of commutator bars to which the third coil is secured. This winding pattern may be repeated for the remainder of the winding slots.

This section provides a general summary of the disclosure, and is not a comprehensive disclosure of its full scope or all of its features. Further areas of applicability will become apparent from the description provided herein. The description and specific examples in this summary are intended for purposes of illustration only and are not intended to limit the scope of the present disclosure.

DRAWINGS

FIG. 1 is a simplified diagrammatic end view of an armature having a traditional coil winding pattern;

3

FIG. 2 a side view of an exemplary construct for an electric motor;

FIG. 3 is a simplified cross-sectional end view of an armature;

FIG. 4 is a diagram illustrating a distributed winding pattern in accordance with the present disclosure;

FIG. 5 is a diagram illustrating the resulting magnetic axes for the distributed winding pattern;

FIG. 6 is a simplified diagrammatic end view of the armature illustrating how commutation zones radially align with each other; and

FIG. 7 is a diagram illustrating an alternative winding pattern in accordance with the present disclosure.

The drawings described herein are for illustrative purposes only of selected embodiments and not all possible implementations, and are not intended to limit the scope of the present disclosure. Corresponding reference numerals indicate corresponding parts throughout the several views of the drawings.

DETAILED DESCRIPTION

FIG. 2 depicts an exemplary electric motor 11. The electric motor is comprised generally of an armature 10; a stator (not shown) disposed coaxially with the armature; and a commutator 12 having a plurality of commutator bars. The armature 10 further includes a lamination stack 14 used to support a plurality of coils 25 wound thereon. An armature shaft 22 extends through the lamination stack 14 and is fixedly coupled to a gear reduction assembly 20 and to a fan 18. It will be appreciated, though, that the fan 18 and the gear reduction assembly 20 are optional and not essential to the motor arrangement, and shown merely because they are components that are often used in connection with an armature for an electric motor. The commutator 12, by way of example, includes eighteen (18) independent commutator bars or segments 12₁-12₁₈. While reference is made to a particular motor arrangement, it is readily understood that the concepts set forth herein may be extended to other types of electric motor arrangements.

Referring to FIG. 3, the lamination stack 14 is illustrated without any coils wound thereon. The lamination stack 14 includes a plurality of radially projecting lamination posts 24, thereby defining a plurality of winding slots S₁-S₁₂. In an exemplary embodiment, twelve slots S₁-S₁₂ are formed between the posts 24, such that the number of commutator bars 12₁-12₁₈ is one and one half times the number of winding slots S₁-S₁₂. It will be appreciated, however, that while twelve winding slots are illustrated, that a greater or lesser number of winding slots could be employed. Likewise, a greater or lesser number of commutator bars could be employed. In any case, the number of commutator bars is preferably an integer greater than the number of winding slots but less than twice the number of winding slots provided by the armature. Because the number of commutator bars is less than twice the number of winding slots, the size (i.e., diameter) of the commutator 12 can be reduced, thereby reducing the overall size of the motor.

FIG. 4 illustrates a distributed winding pattern that maintains commutation efficiency in the motor arrangement above. Coil number 1 (25₁) has one end thereof coupled to commutator segment number 12₁ and the other end coupled to commutator segment number 12₂. Coil number 1 includes a first plurality of winding turns, for example twelve turns, which are wound around slots S₁₂ and S₅ of the lamination stack 14. It will be appreciated that the precise number of windings of each coil (or subcoil portion) can vary depend-

4

ing on the number of winding slots and the number of commutator bars in the motor arrangement.

Coil number 2 (25₂) has a first subcoil portion 2A and a second subcoil 2B in series with one another. First subcoil portion 2A is wound in slots S₁₂ and S₅ with one third the number of winding turns of coil number 1; whereas, the second subcoil portion 2B is wound in slots S₁ and S₆ with two thirds the number of winding turns of coil 1. In the exemplary embodiment, the first subcoil portion 2A is wound with four (4) winding turns and the second subcoil portion 2B is wound with eight (8) winding turns. The end of first subcoil portion 2A is coupled to commutator segment 12₂ while the end of second subcoil portion 2B is coupled to commutator segment 12₃. Windings of the first subcoil portion 2A of coil 25₂ overlaps with the windings of the first coil 25₁.

Coil number 3 (25₃) also includes a first subcoil portion 3A and a second subcoil portion 3B in series with one another. First subcoil portion 3A is wound in slots S₁ and S₆ with two thirds the number of winding turns of coil number 1; whereas, the second subcoil portion 3B is wound in slots S₂ and S₇ with one third the number of winding turns of coil number 1. In the exemplary embodiment, the first subcoil portion 3A is wound with eight (8) winding turns and the second subcoil portion 3B is wound with four (4) winding turns. The end of first subcoil portion 3A is coupled to commutator segment 12₃ while the end of second subcoil portion 3B is coupled to commutator segment 12₄. Windings of the first subcoil portion 3A of coil 25₃ overlaps with the windings of the second subcoil portion of coil 25₂.

Coil number 4 (25₄) has one end thereof coupled to commutator segment number 12₄ and the other end coupled to commutator segment number 12₅. Coil number 4 includes a plurality of winding turns, for example twelve turns, which are wound around slots S₂ and S₇ of the lamination stack 14. It will be noted that the windings of coil number 4 25₄ overlaps with the windings of the second subcoil portion 3B of coil 25₃.

The above-described winding pattern for coils 25₁-25₄ is repeated until all of the coils (in this example, 18 coils) are wound onto the lamination stack 14. Each of the ends of the coils 25₁-25₁₈ are further secured to immediately adjacent pairs of commutator segments 12₁-12₁₈. For example, coil 25₅ has its ends secured to commutator segments 12₅ and 12₆, coil 25₆ to segments 12₆ and 12₇, and so forth.

FIG. 6 illustrating the resulting magnetic axes for the distributed winding pattern described above. In this example, the resultant magnetic axis for coil 1 (25₁) is at the center of slot one S₁. The resultant magnetic axis for coil 2 is shifted laterally 20 degrees away from the magnetic axis of coil 1. Likewise, the resultant magnetic axis for the coil 3 is shifted laterally 20 degrees away from the magnetic axis of coil 2 and so forth. In this way, the winding pattern results in eighteen (18) magnetic axes that are spaced radially an equal distance (i.e., 20 degrees) from each other.

The above-described winding pattern significantly improves the commutation performance. Splitting portions of coils 25 into first and second subcoil portions allows the subcoil portions to shift the magnetic axis (i.e., laterally), from the position it would have otherwise had in a traditional two-coil-per-slot approach. This is illustrated in FIG. 6. For example, a first subcoil portion shifts their magnetic axes forward to produce a first coil commutation zone, as indicated by line 30, and a second subcoil portion shifts their magnetic axes backward to produce a second coil commutation zone, as indicated by line 32, in reference to the armature's 10 rotational direction. Both of these commuta-

5

tion zones are now in a magnetic neutral zone between field coils 34. With an appropriate turns ratio between coils and subcoils thereof, this winding pattern smooths out the magnetic "unevenness" between adjacent coils, which is a drawback with traditional two-coil-per-slot winding patterns. This, in connection with the shifting of the resultant magnetic axes of each coil, serves to significantly improve the commutation efficiency of the motor and to reduce the overall brush arcing.

FIG. 7 illustrates an alternative distributed winding pattern that maintains commutation efficiency. In this motor arrangement, the commutator 12 includes twenty-four (24) commutator bars 12₁-12₂₄ and the armature 12 includes a plurality of lamination posts which thereby define sixteen (16) winding slots S₁-S₁₆. The winding pattern for this arrangement is further described below.

Coil number 1 (25₁) has one end thereof coupled to commutator segment number 12₁ and the other end coupled to commutator segment number 12₂. Coil number 1 includes a first plurality of winding turns, for example twelve turns, which are wound around slots S_{1,4} and S₅ of the lamination stack 14. It will be appreciated that the precise number of windings of each coil (or subcoil portion) can vary depending on the number of winding slots and the number of commutator bars in the motor arrangement.

Coil number 2 (25₂) has a first subcoil portion 2A and a second subcoil 2B in series with one another. First subcoil portion 2A is wound in slots S_{1,4} and S₅ with one third the number of winding turns of coil number 1; whereas, the second subcoil portion 2B is wound in slots S_{1,5} and S₆ with two thirds the number of winding turns of coil 1. In the exemplary embodiment, the first subcoil portion 2A is wound with four (4) winding turns and the second subcoil portion 2B is wound with eight (8) winding turns. The end of first subcoil portion 2A is coupled to commutator segment 12₂ while the end of second subcoil portion 2B is coupled to commutator segment 12₃. Windings of the first subcoil portion 2A of coil 25₂ overlaps with the windings of the first coil 25₁.

Coil number 3 (25₃) also includes a first subcoil portion 3A and a second subcoil portion 3B in series with one another. First subcoil portion 3A is wound in slots S_{1,5} and S₆ with two thirds the number of winding turns of coil number 1; whereas, the second subcoil portion 3B is wound in slots S_{1,6} and S₇ with one third the number of winding turns of coil number 1. In the exemplary embodiment, the first subcoil portion 3A is wound with eight (8) winding turns and the second subcoil portion 3B is wound with four (4) winding turns. The end of first subcoil portion 3A is coupled to commutator segment 12₃ while the end of second subcoil portion 3B is coupled to commutator segment 12₄. Windings of the first subcoil portion 3A of coil 25₃ overlaps with the windings of the second subcoil portion of coil 25₂.

Coil number 4 (25₄) has one end thereof coupled to commutator segment number 12₄ and the other end coupled to commutator segment number 12₅. Coil number 4 includes a plurality of winding turns, for example twelve turns, which are wound around slots S_{1,6} and S₇ of the lamination stack 14. It will be noted that the windings of coil number 4 25₄ overlaps with the windings of the second subcoil portion 3B of coil 25₃.

The above-described winding pattern for coils 25₁-25₄ is repeated until all of the coils (in this example, 24 coils) are wound onto the lamination stack 14. Each of the ends of the coils 25₁-25₂₄ are further secured to immediately adjacent pairs of commutator segments 12₁-12₂₄. For example, coil

6

25₅ has its ends secured to commutator segments 12₅ and 12₆, coil 25₆ to segments 12₆ and 12₇, and so forth.

The winding pattern employed on the armature reduces the number of commutator segments which in turn reduces the size of the commutator and the motor. The winding pattern employed also serves to significantly reduce the cost of constructing the armature by eliminating components that would otherwise be needed to sufficiently attenuate the EMI that results from traditional two-coil-per-slot winding patterns. Typically, inductive components are required to form a choke circuit associated with each armature brush. These additional components increase the overall cost of manufacturing a motor, as well as increase the complexity of the task of replacing the brushes during repair procedures.

The apparatus and method of the present disclosure thus allows an armature to be formed which significantly reduces brush arcing, and therefore the EMI that is present with traditional two-coil-per-slot armature constructions for all brush commutated electric motors. The apparatus and method of the present disclosure further does not increase the complexity of the manufacturing process or require additional component parts that would otherwise increase the overall cost of construction of an armature and the motor.

The foregoing description of the embodiments has been provided for purposes of illustration and description. It is not intended to be exhaustive or to limit the disclosure. Individual elements or features of a particular embodiment are generally not limited to that particular embodiment, but, where applicable, are interchangeable and can be used in a selected embodiment, even if not specifically shown or described. The same may also be varied in many ways. Such variations are not to be regarded as a departure from the disclosure, and all such modifications are intended to be included within the scope of the disclosure.

What is claimed is:

1. An electric motor, comprising:

an armature having a plurality of spaced apart posts defining a plurality of spaced apart winding slots;

a commutator having a plurality of commutator bars, where [the] *a* number of commutator bars is an integer greater than [the] *a* number of *the* winding slots but less than twice the number of winding slots;

a stator disposed coaxially with the armature, the stator having a plurality of spaced apart field coils;

the armature including:

a first coil having a first plurality of winding turns wound only in a first pair of spaced apart ones of the winding slots and;

a second coil having [a] first and second subcoil portions serially coupled together, the first subcoil portion of *the second coil* having a plurality of winding turns wound in the first pair of spaced apart winding slots of *the first coil*, and the second subcoil portion having a plurality of winding turns wound in a second pair of spaced apart winding slots that are circumferentially offset from the first pair of spaced apart winding slots of *the first coil*, wherein the first coil and the first subcoil portion of the second coil are wound with different number of winding turns so that a resultant magnetic axis of the first coil lies at a predetermined angular position relative to a first pair of commutator bars to which the first coil is secured;

a third coil having [a] first and second subcoil portions serially coupled together, the first subcoil portion of *the third coil* having a plurality of winding turns wound in the second pair of spaced apart winding

slots, and the second subcoil portion having a plurality of winding turns wound in a third pair of spaced apart winding slots that are circumferentially offset from the second pair of spaced apart winding slots, wherein the second subcoil portion of the second coil and the first subcoil portion of the third coil are wound with **[different]** a same number of winding turns so that a resultant magnetic axis of the second coil lies at a predetermined angular position relative to a second pair of commutator bars to which the second coil is secured

wherein the armature further includes a fourth coil having a plurality of winding turns wound only in the third pair of spaced apart winding slots, wherein the second subcoil portion of the third coil and the fourth coil are wound with different number of winding turns so that a resultant magnetic axis of the third coil lies at a predetermined angular position relative to a third pair of commutator bars to which the third coil is secured.

[2. The electric motor of claim **1** wherein the armature further includes a fourth coil having a plurality of winding turns wound only in the third pair of spaced apart winding slots, wherein the second subcoil portion of the third coil and the fourth coil are wound with different number of winding turns so that a resultant magnetic axis of the third coil lies at a predetermined angular position relative to a third pair of commutator bars to which the third coil is secured.]

3. The electric motor of claim **1** further comprises at least one brush disposed adjacent to the commutator, wherein the first, second and third coils begin commutation at the same angular position relative to the brush and end commutation at the same angular position relative to the brush.

4. The electric motor of claim **1** wherein the number of winding slots is defined as twelve and the number of commutator bars is defined as eighteen.

5. The electric motor of claim **4** wherein the first subcoil portion of the second coil **[having]** has a plurality of winding turns that is one third **[the]** a number of winding turns of the first coil, and the second subcoil portion of the second coil **[having]** has a plurality of winding turns that is two thirds the number of winding turns of the first coil.

6. The electric motor of claim **5** wherein first subcoil portion of the third coil **[having]** has a plurality of winding turns that is two thirds the number of winding turns of the first coil, and the second subcoil portion of the third coil **[having]** has a plurality of winding turns that is one third the number of winding turns of the first coil.

7. The electric motor of claim **1** wherein the number of commutator bars is one and one half *times* the number of winding slots.

8. **[The electric motor of claim 1 resides in a]** A power tool *having the electric motor of claim 1 residing therein.*

9. An electric motor, comprising:

an armature having a plurality of spaced apart posts defining a plurality of spaced apart winding slots;

a commutator having a plurality of commutator bars, such that **[the]** a number of commutator bars is one and one half **[the]** *times* a number of winding slots;

a stator disposed coaxially with the armature, the stator having a plurality of spaced apart field coils; the armature including:

a first coil being wound in a first pair of spaced apart ones of the winding slots and having a first plurality of winding turns;

a second coil having **[a]** first and second subcoil portions, the first subcoil portion *of the second coil* being wound in the first pair of spaced apart winding

slots *of the first coil* so as to overlap the first coil and having a plurality of winding turns that is one third **[the]** a number of winding turns of the first plurality of winding turns *of the first coil*, and the second subcoil portion *of the second coil* being wound in a second pair of spaced apart winding slots that are offset from the first pair of spaced apart winding slots and having a plurality of winding turns that is two thirds **[the]** a number of winding turns of the first plurality of winding turns *of the first coil*;

a third coil having **[a]** first and second subcoil portions, the first subcoil portion *of the third coil* being wound in the second pair of spaced apart winding slots so as to overlap the second subcoil portion of the second coil and having a plurality of winding turns that is two thirds the number of winding turns of the first plurality of winding turns *of the first coil*, and the second subcoil portion *of the third coil* being wound in a third pair of spaced apart winding slots that are offset from the second pair of spaced apart winding slots and having a plurality of winding turns that is one third the number of winding turns of the first plurality of winding turns *of the first coil*

wherein the armature further includes a fourth coil having a plurality of winding turns wound only in the third pair of spaced apart winding slots, wherein the second subcoil portion of the third coil and the fourth coil are wound with different number of winding turns so that a resultant magnetic axis of the third coil lies at a predetermined angular position relative to a third pair of commutator bars to which the third coil is secured.

[10. The electric motor of claim **9** wherein the armature further includes a fourth coil having a plurality of winding turns wound only in the third pair of spaced apart winding slots, wherein the second subcoil portion of the third coil and the fourth coil are wound with different number of winding turns so that a resultant magnetic axis of the third coil lies at a predetermined angular position relative to a third pair of commutator bars to which the third coil is secured.]

11. The electric motor of claim **9** further comprises at least one brush disposed adjacent to the commutator, wherein the first, second and third coils begin commutation at the same angular position relative to the brush and end commutation at the same angular position relative to the brush.

12. The electric motor of claim **[1]** **9** wherein the number of winding slots is defined as twelve and the number of commutator bars is defined as eighteen.

[13. The electric motor of claim **12** wherein the first subcoil portion of the second coil having a plurality of winding turns that is one third the number of winding turns of the first coil, and the second subcoil portion of the second coil having a plurality of winding turns that is two thirds the number of winding turns of the first coil.]

[14. The electric motor of claim **12** wherein first subcoil portion of the third coil having a plurality of winding turns that is two thirds the number of winding turns of the first coil, and the second subcoil portion of the third coil having a plurality of winding turns that is one third the number of winding turns of the first coil.]

15. An electric motor, comprising:

an armature having a plurality of spaced apart posts defining a plurality of spaced apart winding slots;

a commutator having a plurality of commutator bars, where **[the]** a number of commutator bars is an integer greater than **[the]** a number of winding slots but less than twice the number of winding slots;

9

a stator disposed coaxially with the armature, the stator having a plurality of spaced apart field coils; the armature including:

a first coil having a first plurality of winding turns wound only in a first pair of spaced apart ones of the winding slots and;

a second coil having [a] first and second subcoil portions serially coupled together, the first subcoil portion of the second coil having a plurality of winding turns wound in the first pair of spaced apart winding slots, and the second subcoil portion of the second coil having a plurality of winding turns wound in a second pair of spaced apart winding slots that are circumferentially offset from the first pair of spaced apart winding slots, wherein the first coil and the first subcoil portion of the second coil are wound with different number of winding turns so that a resultant magnetic axis of the first coil lies at a predetermined angular position relative to a first pair of commutator bars to which the first coil is secured;

a third coil having [a] first and second subcoil portions serially coupled together, the first subcoil portion of the third coil having a plurality of winding turns wound in the second pair of spaced apart winding slots, and the second subcoil portion of the third coil having a plurality of winding turns wound in a third pair of spaced apart winding slots that are circumferentially offset from the second pair of spaced apart winding slots, wherein the second subcoil portion of the second coil and the first subcoil portion of the third coil are wound with [different] a same number of winding turns so that a resultant magnetic axis of the second coil lies at a predetermined angular position relative to a second pair of commutator bars to which the second coil is secured wherein the armature further includes a fourth coil having a plurality of winding turns wound only in the third pair

10

of spaced apart winding slots, wherein the second subcoil portion of the third coil and the fourth coil are wound with different number of winding turns so that a resultant magnetic axis of the third coil lies at a predetermined angular position relative to a third pair of commutator bars to which the third coil is secured.

[16. The electric motor of claim 15 wherein the armature further includes a fourth coil having a plurality of winding turns wound only in the third pair of spaced apart winding slots, wherein the second subcoil portion of the third coil and the fourth coil are wound with different number of winding turns so that a resultant magnetic axis of the third coil lies at a predetermined angular position relative to a third pair of commutator bars to which the third coil is secured.]

17. The electric motor of claim 15 further comprises at least one brush disposed adjacent to the commutator, wherein the first, second and third coils begin commutation at the same angular position relative to the brush and end commutation at the same angular position relative to the brush.

18. The electric motor of claim 15 wherein the number of winding slots is defined as twelve and the number of commutator bars is defined as eighteen.

19. The electric motor of claim 18 wherein the first subcoil portion of the second coil [having] has a plurality of winding turns that is one third [the] a number of winding turns of the first coil, and the second subcoil portion of the second coil [having] has a plurality of winding turns that is two thirds the number of winding turns of the first coil.

20. The electric motor of claim 19 wherein first subcoil portion of the third coil [having] has a plurality of winding turns that is two thirds the number of winding turns of the first coil, and the second subcoil portion of the third coil [having] has a plurality of winding turns that is one third the number of winding turns of the first coil.

* * * * *