



US00RE48271E

(19) **United States**
(12) **Reissued Patent**
Cheng et al.

(10) **Patent Number:** **US RE48,271 E**
(45) **Date of Reissued Patent:** ***Oct. 20, 2020**

(54) **CODING TECHNIQUES USING ESTIMATED SPECTRAL MAGNITUDE AND PHASE DERIVED FROM MDCT COEFFICIENTS**

(58) **Field of Classification Search**
CPC G06F 17/147; G10L 19/0212
See application file for complete search history.

(71) Applicant: **Dolby Laboratories Licensing Corporation**, San Francisco, CA (US)

(56) **References Cited**

U.S. PATENT DOCUMENTS

(72) Inventors: **Corey I. Cheng**, Framingham, MA (US); **Michael J. Smithers**, Kareela (AU)

5,285,498 A * 2/1994 Johnston 381/2
5,297,236 A 3/1994 Antill
(Continued)

(73) Assignee: **Dolby Laboratories Licensing Corporation**, San Francisco, CA (US)

FOREIGN PATENT DOCUMENTS

(*) Notice: This patent is subject to a terminal disclaimer.

JP 2000-048481 2/2000
WO WO 00/45379 A2 * 8/2000 G10L 19/00

OTHER PUBLICATIONS

(21) Appl. No.: **15/877,343**

Princen, J.P., A.W. Johnson, and A.B. Bradley "Subband/Transform Coding Using Filter Bank Designs Based on Time Domain Aliasing Cancellation", IEEE International Conference on Acoustics, Speech, and Signal Processing (ICASSP '87), Apr. 6-9, 1987, pp. 50.1.1-50.1.4. (Year: 1987).*

(22) Filed: **Jan. 22, 2018**

Related U.S. Patent Documents

Reissue of:

(64) Patent No.: **6,980,933**
Issued: **Dec. 27, 2005**
Appl. No.: **10/766,681**
Filed: **Jan. 27, 2004**

(Continued)

Primary Examiner — Luke S Wassum

U.S. Applications:

(63) Continuation of application No. 13/675,998, filed on Nov. 13, 2012, now Pat. No. Re. 46,684, which is an (Continued)

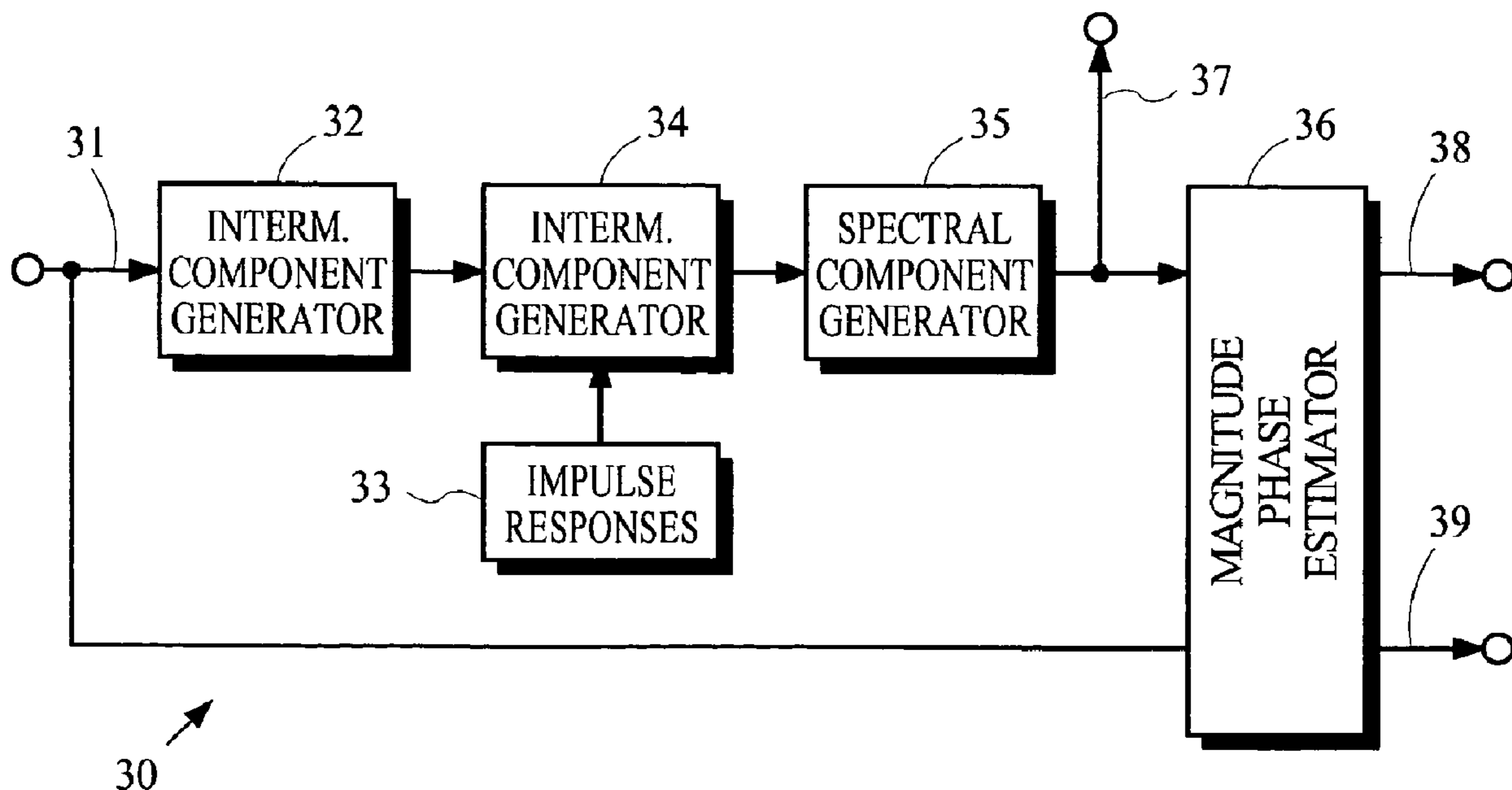
(57) **ABSTRACT**

Estimates of spectral magnitude and phase are obtained by an estimation process using spectral information from analysis filter banks such as the Modified Discrete Cosine Transform. The estimation process may be implemented by convolution-like operations with impulse responses. Portions of the impulse responses may be selected for use in the convolution-like operations to trade off between computational complexity and estimation accuracy. Mathematical derivations of analytical expressions for filter structures and impulse responses are disclosed.

(51) **Int. Cl.**
G10L 21/00 (2013.01)
G10L 19/02 (2013.01)
G06F 17/14 (2006.01)

(52) **U.S. Cl.**
CPC **G10L 19/0212** (2013.01); **G06F 17/147** (2013.01)

20 Claims, 3 Drawing Sheets



Related U.S. Application Data

application for the reissue of Pat. No. 6,980,933, and a continuation of application No. 13/297,256, filed on Nov. 15, 2011, now Pat. No. Re. 44,126, which is an application for the reissue of Pat. No. 6,980,933, and a continuation of application No. 11/963,680, filed on Dec. 21, 2007, now Pat. No. Re. 42,935, which is an application for the reissue of Pat. No. 6,980,933.

(56)

References Cited

U.S. PATENT DOCUMENTS

5,451,954	A *	9/1995	Davis et al.	341/200
5,481,614	A *	1/1996	Johnston	381/2
5,592,584	A *	1/1997	Ferreira et al.	704/203
5,627,938	A *	5/1997	Johnston	704/200.1
5,682,463	A *	10/1997	Allen et al.	704/230
5,699,479	A *	12/1997	Allen et al.	704/205
5,699,484	A *	12/1997	Davis	704/200.1
5,727,119	A *	3/1998	Davidson et al.	704/203
5,781,888	A *	7/1998	Herre	H03M 7/3044 704/200.1
5,945,940	A	8/1999	Cuomo	
6,035,177	A *	3/2000	Moses et al.	725/22
6,131,084	A *	10/2000	Hardwick	704/230
6,161,089	A *	12/2000	Hardwick	704/230
6,182,030	B1 *	1/2001	Hagen et al.	704/201
6,266,644	B1 *	7/2001	Levine	704/503
6,453,289	B1 *	9/2002	Ertem et al.	704/225
6,680,972	B1 *	1/2004	Liljeryd et al.	375/240
6,708,145	B1 *	3/2004	Liljeryd	G10L 21/038 704/200.1
6,847,737	B1 *	1/2005	Kouri et al.	382/260
6,862,326	B1	3/2005	Eran	
6,980,933	B2	12/2005	Cheng	
7,242,710	B2	7/2007	Ekstrand	
7,707,030	B2	4/2010	Edler	
7,783,032	B2	8/2010	Abutalebi	
RE42,935	E	11/2011	Smithers	
8,126,709	B2 *	2/2012	Truman	G10L 21/038 704/228
8,155,954	B2	4/2012	Edler	
RE46,684	E *	1/2018	Cheng	H03M 7/3044
2003/0016772	A1	1/2003	Ekstrand	
2003/0093282	A1	5/2003	Goodwin	
2003/0187663	A1 *	10/2003	Truman	G10L 21/038 704/500
2004/0071284	A1	4/2004	Abutalebi	
2004/0078205	A1 *	4/2004	Liljeryd et al.	704/503
2005/0197831	A1	9/2005	Edler	
2010/0161319	A1	6/2010	Edler	

OTHER PUBLICATIONS

Cheng, Corey I. "Method for Estimating Magnitude and Phase in the MDCT Domain", 116th Convention of the Audio Engineering Society, Convention Paper 6091, May 8-11, 2004. (Year: 2004).*

International Search Report, PCT/US2005/001499, dated May 20, 2005. (Year: 2005).*

International Preliminary Report on Patentability, PCT/US2005/001499, dated Jul. 27, 2006. (Year: 2006).*

EPO Communication, Application No. EP 05 711 553.7, dated Dec. 29, 2006. (Year: 2006).*

IP Australia Search Information Statement, Application No. 2005208287, dated Nov. 19, 2009. (Year: 2009).*

Japanese Patent Office Search Report, Application No. 2006-551194, dated Oct. 28, 2010. (Year: 2010).*

Duhamel, P. et al "A Fast Algorithm for the Implementation of Filter Banks Based on Time Domain Aliasing Cancellation" International Conference on Acoustics, Speech, and Signal Processing, Apr. 14-17, 1991, pp. 2209-2212.

Bosi, M. et al "ISO/IEC MPEG-2 Advanced Audio Coding" JAES vol. 45, Issue 10, pp. 789-814, Oct. 1, 1997.

Lanciani, C.A. et al "Subband-Domain Filtering of MPEG Audio Signals" IEEE International Conference on Acoustics, Speech, and Signal Processing, Mar. 15-19, 1999, pp. 917-920.

Wang, Y. et al "On the Relationship Between MDCT, SDPT and DFT" 5th International Conference on Signal Processing Proceedings, Aug. 21-25, 2000, vol. 1, pp. 44-47.

Wang Y. et al "Some Peculiar Properties of the MDCT," 5th International Conference on Signal Processing Proceedings, vol. 1, 2000, pp. 61-64.

Ferreira, A.J.S. "Accurate Estimation in the ODFT Domain of the Frequency, Phase and Magnitude of Stationary Sinusoids" IEEE Workshop on the Applications of Signal Processing to Audio and Acoustics, Oct. 24, 2001, pp. 47-50.

Ferreira, A.J.S. "Combined Spectral Envelope Normalization & Substraction of Sinusoidal Components in the ODFT and MDCT Frequency Domains" IEEE Workshop on the Applications of Signal Processing to Audio and Acoustics, Oct. 2001, pp. 51-54.

Kresh, R. et al "Fast DCT Domain Filtering Using the DCT and the DST" IEEE Transactions on Image Processing, vol. 8, Issue 6, pp. 821-833, Jun. 1999.

Mathew M. et al "Modified MP3 Encoder Using Complex Modified Discrete Cosine Transform" International Conference on Multimedia and Expo, vol. 2, pp. 709-712, Jul. 6-9, 2003.

Princen, J. et al "Analysis/Synthesis Filter Bank Design Based on Time Domain Aliasing Cancellation" vol. 34, Issue 5, Oct. 1986, pp. 1153-1161.

Wang, Y. et al "Modified Discrete Cosine Transform—Its Implications for Audio Coding and Error Concealment" J. Audio Eng. Society, vol. 51, No. 112, Jan./Feb. 2003, pp. 52-61.

Daudet, L. et al "MDCT Analysis of Sinusoids and Applications to Coding Artifacts Reduction" Audio Engineering Soc. 114th Convention, Amsterdam, Mar. 1, 2003, pp. 1-6.

Merdjani, S. et al "Direct Estimation of Frequency from MDCT-Encoded Files" Proc. of the 6th Int. Conference on Digital Audio Effects (DAFx-03), London, UK, Sep. 8-11, 2003.

* cited by examiner

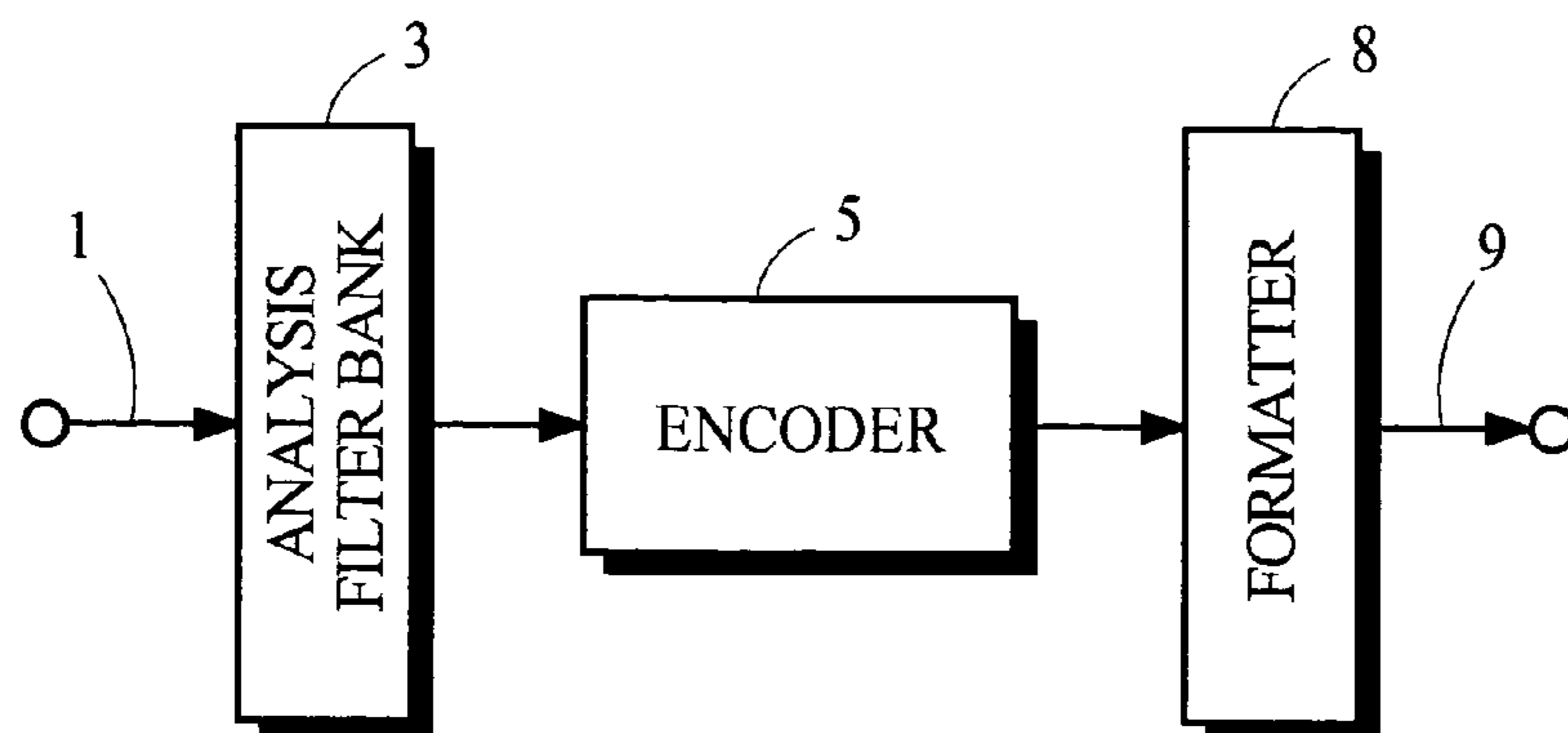


Fig. 1

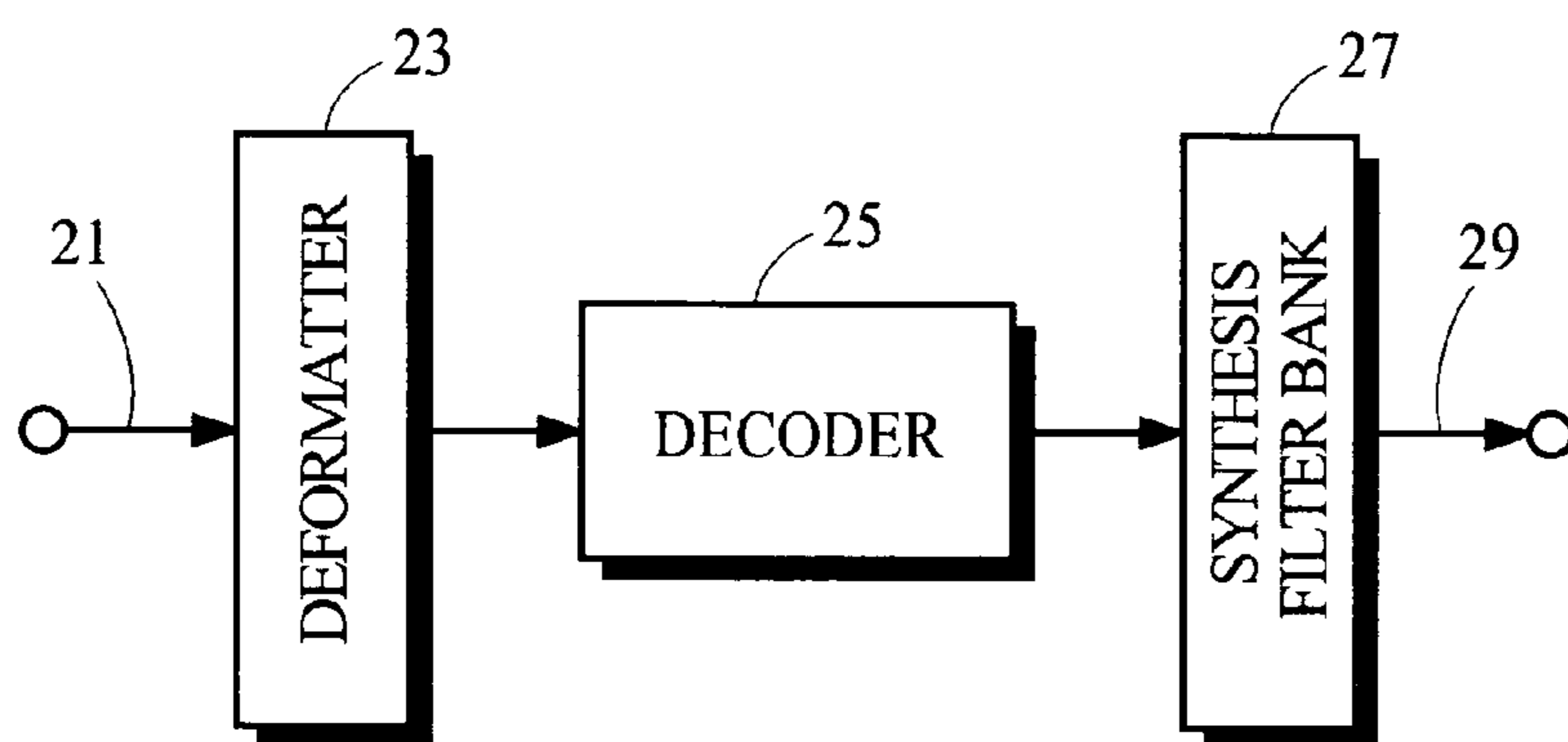


Fig. 2

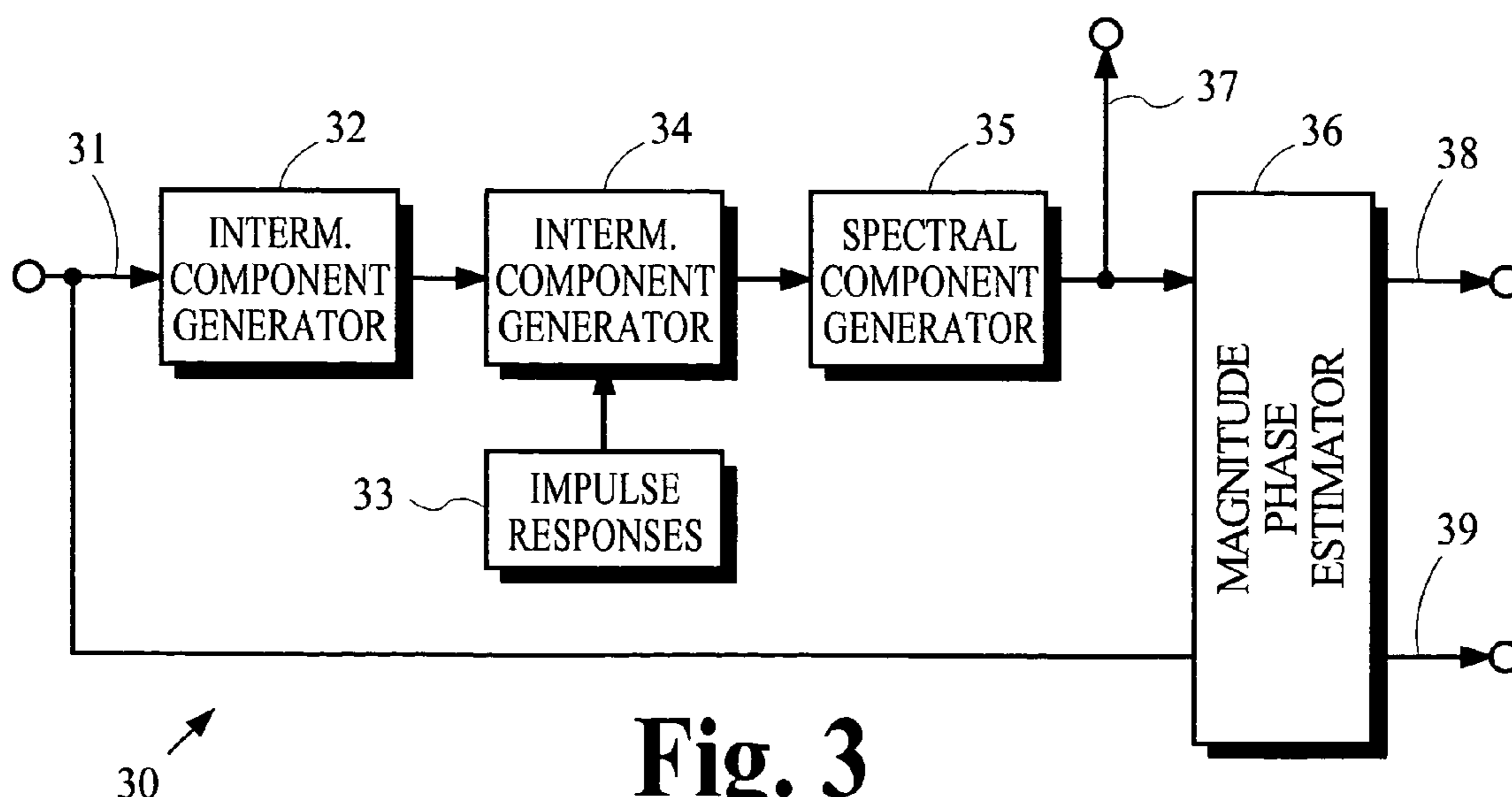


Fig. 3

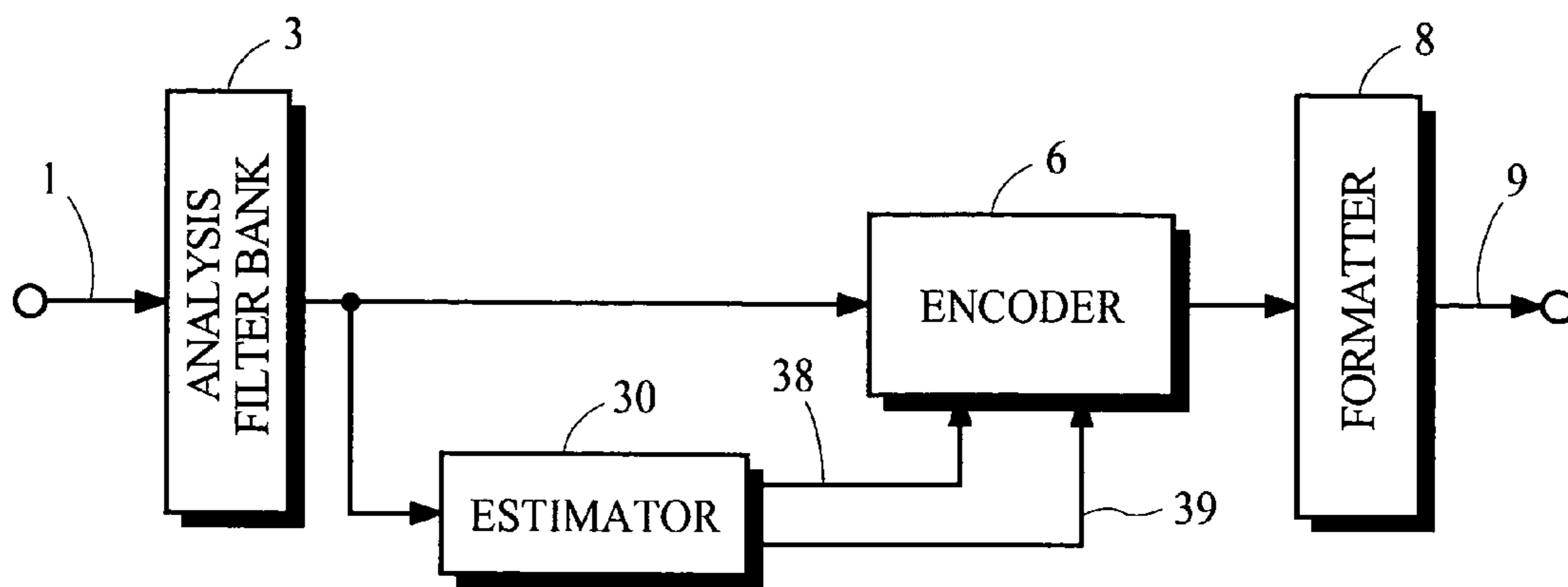


Fig. 4

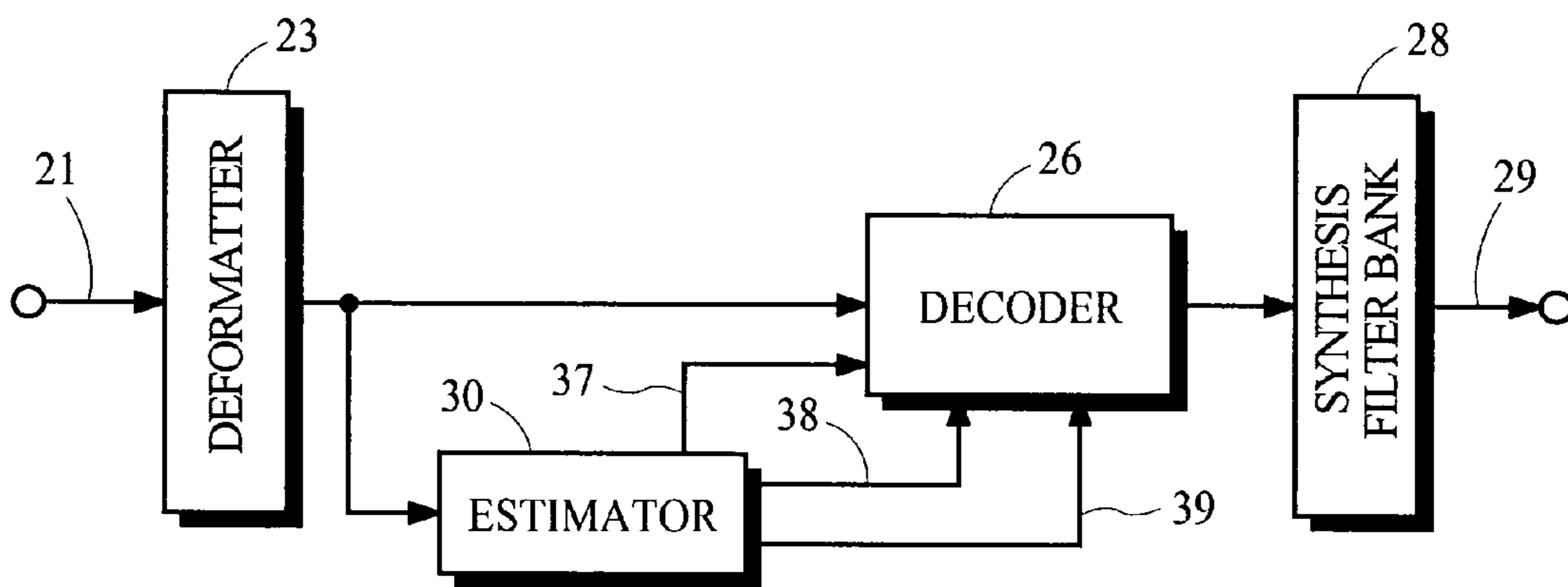
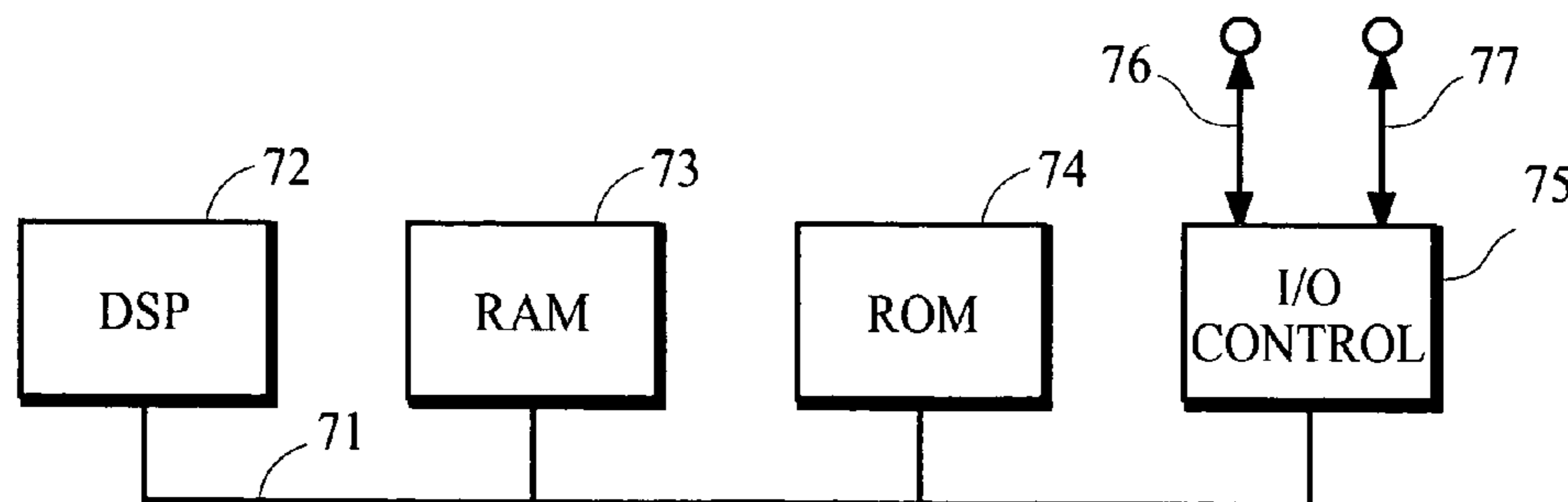


Fig. 5



70 ↗

Fig. 9

Fig. 6

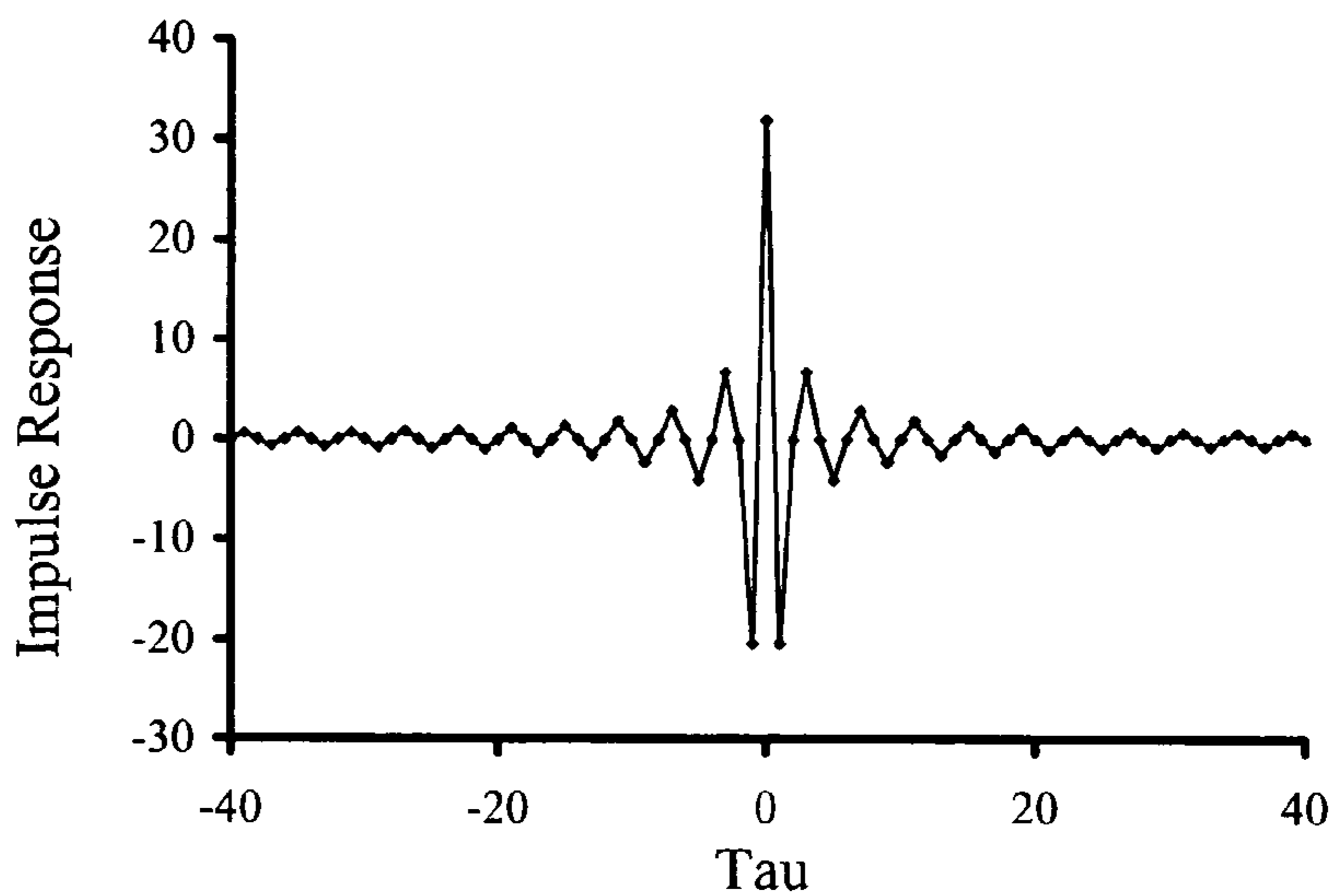


Fig. 7

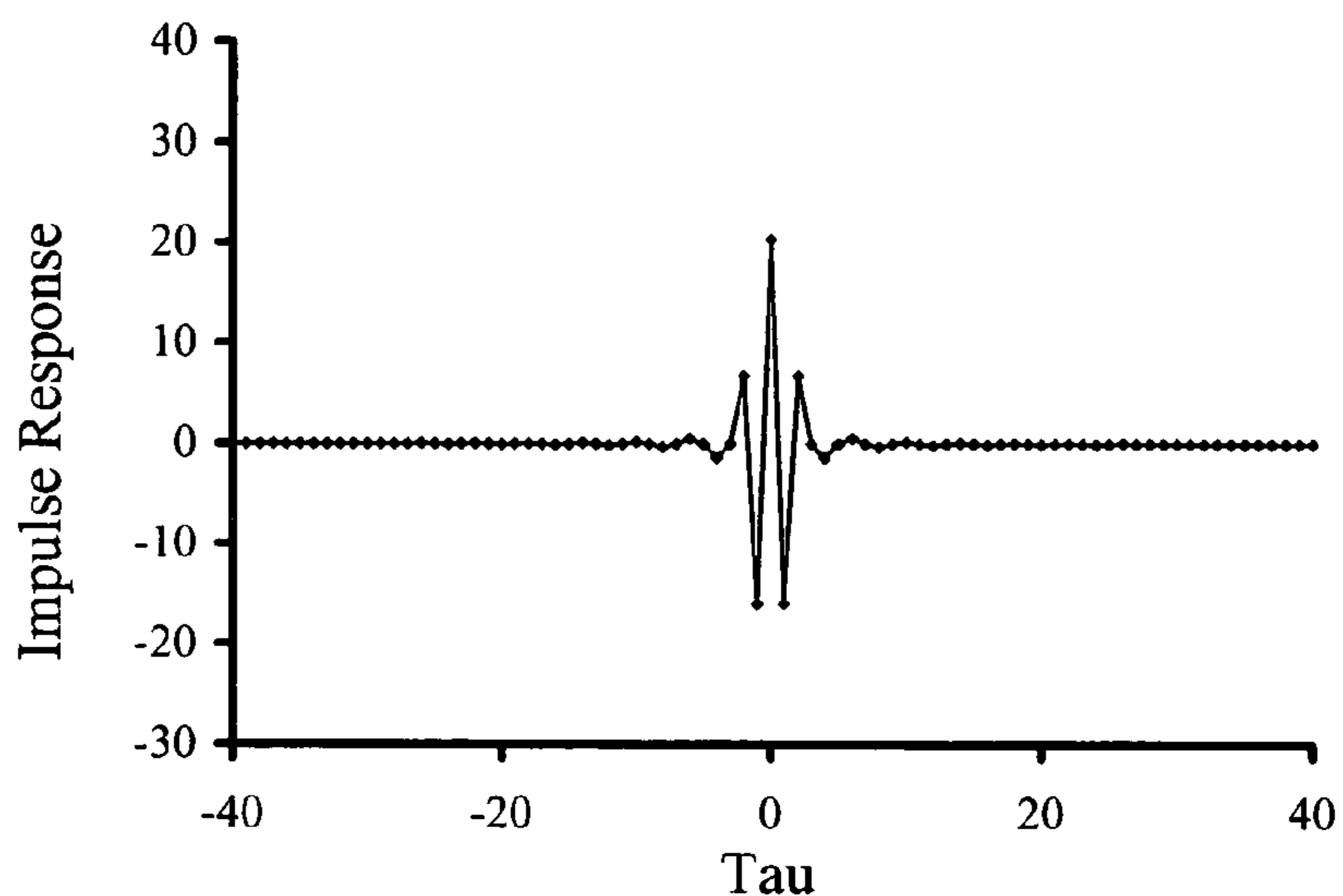
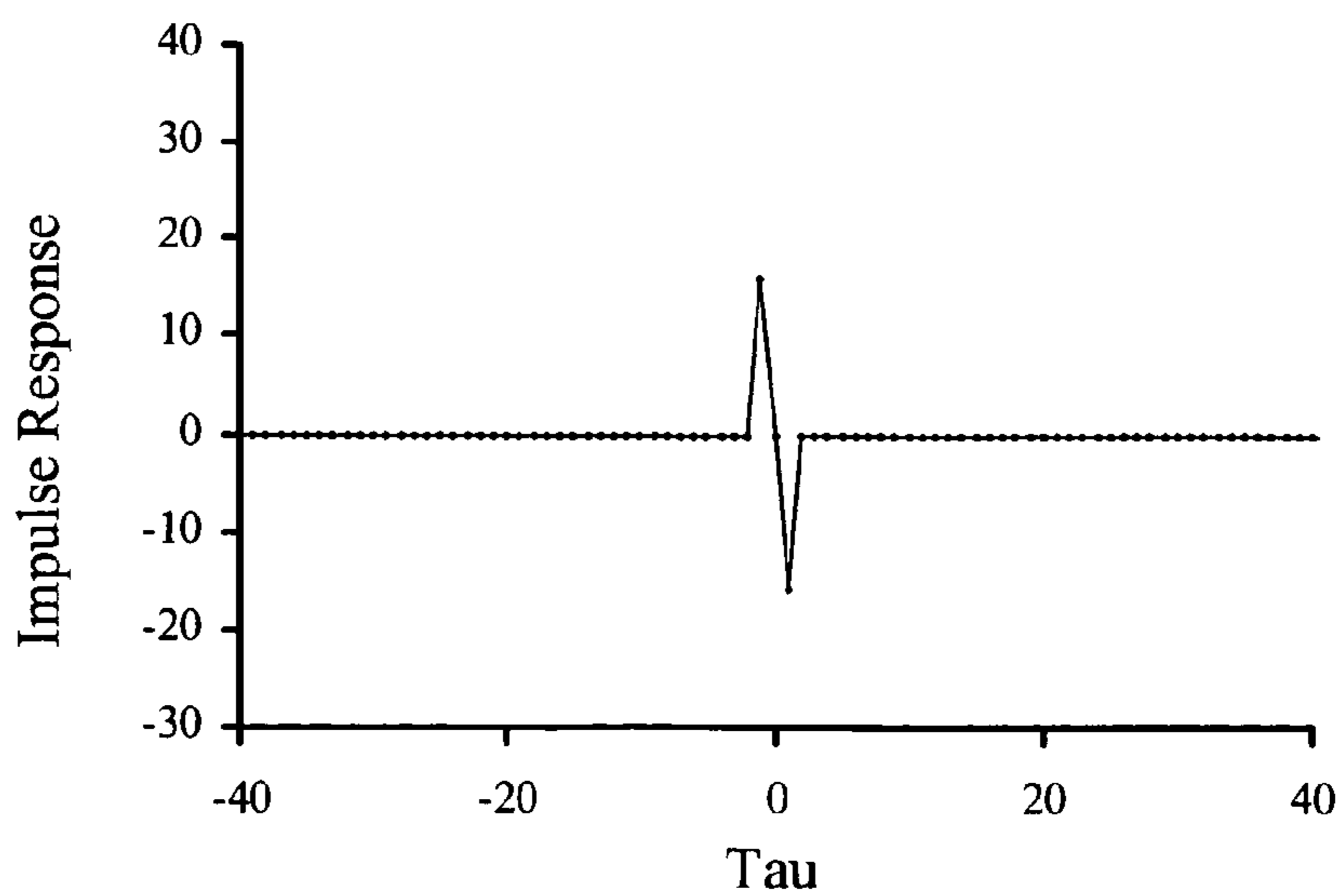


Fig. 8



**CODING TECHNIQUES USING ESTIMATED
SPECTRAL MAGNITUDE AND PHASE
DERIVED FROM MDCT COEFFICIENTS**

Matter enclosed in heavy brackets [] appears in the original patent but forms no part of this reissue specification; matter printed in italics indicates the additions made by reissue; a claim printed with strikethrough indicates that the claim was canceled, disclaimed, or held invalid by a prior post-patent action or proceeding.

*CROSS-REFERENCE TO RELATED
APPLICATIONS*

More than one Reissue Application has been filed for the reissue of U.S. Pat. No. 6,980,933, issued Dec. 27, 2005. The reissue applications are application Ser. No. 15/877,345 filed Jan. 22, 2018 and Ser. No. 13/675,998, filed Nov. 13, 2012 (now U.S. Reissue Pat. No. RE46,884, issued Jan. 23, 2018) and Ser. No. 13/297,256, filed Nov. 15, 2011 (now U.S. Reissue Pat. No. RE44,126, issued Apr. 6, 2013), and Ser. No. 11/963,680, filed Dec. 21, 2007, (now U.S. Reissue Pat. No. RE42,935, Issued Nov. 15, 2011). The present application claims the benefit as a Reissue Continuation Application of Appln. Ser. No. 13/675,998, filed Nov. 13, 2012, now U.S. Reissue Pat. No. RE46,684, issued Jan. 23, 2108, which is a Reissue Continuation application Ser. No. 13/297,256, filed Nov. 15, 2011, which is a Reissue Continuation Application of Appn. Ser. No. 11/963,680, filed Dec. 21, 2007, now U.S. Reissue Pat. No. RE42,935, issued Nov. 15, 2011, which is a Reissue Application of U.S. Pat. No. 6,980,933, issued Dec. 27, 2005, the entire contents of all of the foregoing are hereby incorporated by reference as if fully set forth herein, under 35 U.S.C. § 120. Applicants hereby rescind any disclaimer of claim scope in the parent application(s) or the prosecution history thereof and advise the USPTO that the claims in this application may be broader than any claim in the parent application(s).

TECHNICAL FIELD

The present invention provides an efficient process for accurately estimating spectral magnitude and phase from spectral information obtained from various types of analysis filter banks including those implemented by Modified Discrete Cosine Transforms and Modified Discrete Sine Transforms. These accurate estimates may be used in various signal processing applications such as audio coding and video coding.

In the following discussion more particular mention is made of audio coding applications using filter banks implemented by a particular Modified Discrete Cosine Transform; however, the present invention is also applicable to other applications and other filter bank implementations.

BACKGROUND ART

Many coding applications attempt to reduce the amount of information required to adequately represent a source signal. By reducing information capacity requirements, a signal representation can be transmitted over channels having lower bandwidth or stored on media using less space.

Coding can reduce the information capacity requirements of a source signal by eliminating either redundant components or irrelevant components in the signal. So called perceptual coding methods and systems often use filter

banks to reduce redundancy by decorrelating a source signal using a basis set of spectral components, and reduce irrelevancy by adaptive quantization of the spectral components according to psycho-perceptual criteria. A coding process that adapts the quantizing resolution more coarsely can reduce information requirements to a greater extent but it also introduces higher levels of quantization error or “quantization noise” into the signal. Perceptual coding systems attempt to control the level of quantization noise so that the noise is “masked” or rendered imperceptible by other spectral content of the signal. These systems typically use perceptual models to predict the levels of quantization noise that can be masked by a given signal.

In perceptual audio coding systems, for example, quantization noise is often controlled by adapting quantizing resolutions according to predictions of audibility obtained from perceptual models based on psychoacoustic studies such as that described in E. Zwicker, *Psychoacoustics*, 1981. An example of a perceptual model that predicts the audibility of spectral components in a signal is discussed in M. Schroeder et al.; “Optimizing Digital Speech Coders by Exploiting Masking Properties of the Human Ear,” *J. Acoust. Soc. Am.*, December 1979, pp. 1647-1652.

Spectral components that are deemed to be irrelevant because they are predicted to be imperceptible need not be included in the encoded signal. Other spectral components that are deemed to be relevant can be quantized using a quantizing resolution that is adapted to be fine enough to ensure the quantization noise is rendered just imperceptible by other spectral components in the source signal. Accurate predictions of perceptibility by a perceptual model allow a perceptual coding system to adapt the quantizing resolution more optimally, resulting in fewer audible artifacts.

A coding system using models known to provide inaccurate predictions of perceptibility cannot reliably ensure quantization noise is rendered imperceptible unless a finer quantizing resolution is used than would otherwise be required if a more accurate prediction was available. Many perceptual models such as that discussed by Schroeder, et al. are based on spectral component magnitude; therefore, accurate predictions by these models depend on accurate measures of spectral component magnitude.

Accurate measures of spectral component magnitude also influence the performance of other types of coding processes in addition to quantization. In two types of coding processes known as spectral regeneration and coupling, an encoder reduces information requirements of source signals by excluding selected spectral components from an encoded representation of the source signals and a decoder synthesizes substitutes for the missing spectral components. In spectral regeneration, the encoder generates a representation of a baseband portion of a source signal that excludes other portions of the spectrum. The decoder synthesizes the missing portions of the spectrum using the baseband portion and side information that conveys some measure of spectral level for the missing portions, and combines the two portions to obtain an imperfect replica of the original source signal. One example of an audio coding system that uses spectral regeneration is described in international patent application no. PCT/US03/08895 filed Mar. 21, 2003, publication no. [WO 03/083034] *WO 03/083834* published Oct. 9, 2003. In coupling, the encoder generates a composite representation of spectral components for multiple channels of source signals and the decoder synthesizes spectral components for multiple channels using the composite representation and side information that conveys some measure of spectral level for each source signal channel. One

example of an audio coding system that uses coupling is described in the Advanced Television Systems Committee (ATSC) A/52A document entitled "Revision A to Digital Audio Compression (AC-3) Standard" published Aug. 20, 2001.

The performance of these coding systems can be improved if the decoder is able to synthesize spectral components that preserve the magnitudes of the corresponding spectral components in the original source signals. The performance of coupling also can be improved if accurate measures of phase are available so that distortions caused by coupling out-of-phase signals can be avoided or compensated.

Unfortunately, some coding systems use particular types of filter banks to derive an expression of spectral components that make it difficult to obtain accurate measures of spectral component magnitude or phase. Two common types of coding systems are referred to as subband coding and transform coding. Filter banks in both subband and transform coding systems may be implemented by a variety of signal processing techniques including various time-domain to frequency-domain transforms. See J. Tribolet et al., "Frequency Domain Coding of Speech," IEEE Trans. Acoust., Speech, and Signal Proc., ASSP-27, October, 1979, pp. 512-530.

Some transforms such as the Discrete Fourier Transform (DFT) or its efficient implementation, the Fast Fourier Transform (FFT), provide a set of spectral components or transform coefficients from which spectral component magnitude and phase can be easily calculated. Spectral components of the DFT, for example, are multidimensional representations of a source signal. Specifically, the DFT, which may be used in audio coding and video coding applications, provides a set of complex-valued coefficients whose real and imaginary parts may be expressed as coordinates in a two-dimensional space. The magnitude of each spectral component provided by such a transform can be obtained easily from each component's coordinates in the multidimensional space using well known calculations.

Some transforms such as the Discrete Cosine Transform, however, provide spectral components that make it difficult to obtain an accurate measure of spectral component magnitude or phase. The spectral components of the DCT, for example, represent the spectral component of a source signal in only a subspace of the multidimensional space required to accurately convey spectral magnitude and phase. In typical audio coding and video coding applications, for example, a DCT provides a set of real-valued spectral components or transform coefficients that are expressed in a one dimensional subspace of the two-dimensional real/imaginary space mentioned above. The magnitude of each spectral component provided by transforms like the DCT cannot be obtained easily from each component's coordinates in the relevant subspace.

This characteristic of the DCT is shared by a particular Modified Discrete Cosine Transform (MDCT), which is described in J. Princen et al., "Subband/Transform Coding Using Filter Bank Designs Based on Time Domain Aliasing Cancellation," ICASSP 1987 Conf. Proc., May 1987, pp. 2161-64. The MDCT and its complementary Inverse Modified Discrete Cosine Transform (IMDCT) have gained widespread usage in many coding systems because they permit implementation of a critically sampled analysis/synthesis filter bank system that provides for perfect reconstruction of overlapping segments of a source signal. Perfect reconstruction refers to the property of an analysis/synthesis filter bank pair to reconstruct perfectly a source signal in the absence of

errors caused by finite precision arithmetic. Critical sampling refers to the property of an analysis filter bank to generate a number of spectral components that is no greater than the number of samples used to convey the source signal. These properties are very attractive in many coding applications because critical sampling reduces the number of spectral components that must be encoded and conveyed in an encoded signal.

The concept of critical sampling deserves some comment. Although the DFT or the DCT, for example, generate one spectral component for each sample in a source signal segment, DFT and DCT analysis/synthesis systems in many coding applications do not provide critical sampling because the analysis transform is applied to a sequence of overlapping signal segments. The overlap allows use of non-rectangular shaped window functions that improve analysis filter bank frequency response characteristics and eliminate blocking artifacts; however, the overlap also prevents perfect reconstruction with critical sampling because the analysis filter bank must generate more coefficient values than the number of source signal samples. This loss of critical sampling increases the information requirements of the encoded signal.

As mentioned above, filter banks implemented by the MDCT and IMDCT are attractive in many coding systems because they provide perfect reconstruction of overlapping segments of a source signal with critically sampling. Unfortunately, these filter banks are similar to the DCT in that the spectral components of the MDCT represent the spectral component of a source signal in only a subspace of the multidimensional space required to accurately convey spectral magnitude and phase. Accurate measures of spectral magnitude or phase cannot be obtained easily from the spectral components or transform coefficients generated by the MDCT; therefore, the coding performance of many systems that use the MDCT filter bank is suboptimal because the prediction accuracy of perceptual models is degraded and the preservation of spectral component magnitudes by synthesizing processes is impaired.

Prior attempts to avoid this deficiency of various filter banks like the MDCT and DCT filter banks have not been satisfactory for a variety of reasons. One technique is disclosed in "ISO/IEC 11172-3: 1993 (E) Coding of Moving Pictures and Associated Audio for Digital Storage Media at Up to About 1.5 Mbit/s," ISO/IEC JTC1/SC29/WG11, Part III Audio. According to this technique, a set of filter banks including several MDCT-based filter banks is used to generate spectral components for encoding and an additional FFT-based filter bank is used to derive accurate measures of spectral component magnitude. This technique is not attractive for at least two reasons: (1) considerable computational resources are required in the encoder to implement the additional FFT filter bank needed to derive the measures of magnitude, and (2) the processing to obtain accurate measures of magnitude are performed in the encoder; therefore additional bandwidth is required by the encoded signal to convey these measures of spectral component magnitude to the decoder.

Another technique avoids incurring any additional bandwidth required to convey measures of spectral component magnitude by calculating these measures in the decoder. This is done by applying a synthesis filter bank to the decoded spectral components to recover a replica of the source signal, applying an analysis filter bank to the recovered signal to obtain a second set of spectral components in quadrature with the decoded spectral components, and calculating spectral component magnitude from the two sets of

5

spectral components. This technique also is not attractive because considerable computational resources are required in the decoder to implement the analysis filter bank needed to obtain the second set of spectral components.

Yet another technique, described in S. Merdjani et al., "Direct Estimation of Frequency From MCT-Encoded Files," Proc. of the 6th Int. Conf. on Digital Audio Effects (DAFx-03), London, September 2003, estimates the frequency, magnitude and phase of a sinusoidal source signal from a "regularized spectrum" derived from MDCT coefficients. This technique overcomes the disadvantages mentioned above but it also is not satisfactory for typical coding applications because it is applicable only for a very simple source signal that has only one sinusoid.

Another technique, which is disclosed in U.S. patent application Ser. No. 09/948,053, publication number U.S. 2003/0093282 A1 published May 15, 2003, is able to derive DFT coefficients from MDCT coefficients; however, the disclosed technique does not obtain measures of magnitude or phase for spectral components represented by the MDCT coefficients themselves. Furthermore, the disclosed technique does not use measures of magnitude or phase to adapt processes for encoding or decoding information that represents the MDCT coefficients.

What is needed is a technique that provides accurate estimates of magnitude or phase from spectral components generated by analysis filter banks such as the MDCT that also avoids or overcomes deficiencies of known techniques.

DISCLOSURE OF INVENTION

The present invention overcomes the deficiencies of the prior art by receiving first spectral components that were generated by application of an analysis filterbank to a source signal conveying content intended for human perception, deriving one or more first intermediate components from at least some of the first spectral components, forming a combination of the one or more first intermediate components according to at least a portion of one or more impulse responses to obtain one or more second intermediate components, deriving second spectral components from the one or more second intermediate components, obtaining estimated measures of magnitude or phase using the first spectral components and the second spectral components, and applying an adaptive process to the first spectral components to generate processed information. The adaptive process adapts in response to the estimated measures of magnitude or phase.

The various features of the present invention and its preferred embodiments may be better understood by referring to the following discussion and the accompanying drawings in which like reference numerals refer to like elements in the several figures. The contents of the following discussion and the drawings are set forth as examples only and should not be understood to represent limitations upon the scope of the present invention.

BRIEF DESCRIPTION OF DRAWINGS

FIG. 1 is a schematic block diagram of a transmitter used in a coding system.

FIG. 2 is a schematic block diagram of a receiver used in a coding system.

FIG. 3 is a schematic block diagram of a device that obtains measures of spectral component magnitude or phase according to various aspects of the present invention.

6

FIG. 4 is a schematic block diagram of a transmitter that incorporates various aspects of the present invention.

FIG. 5 is a schematic block diagram of a receiver that incorporates various aspects of the present invention.

FIGS. 6-8 are graphical illustrations of impulse responses that may be used with exemplary implementations of the present invention.

FIG. 9 is a schematic block diagram of a device that may be used to implement various aspects of the present invention.

MODES FOR CARRYING OUT THE INVENTION

A. Introduction

The present invention allows accurate measures of magnitude or phase to be obtained from spectral components generated by analysis filter banks such as the Modified Discrete Cosine Transform (MDCT) mentioned above. Various aspects of the present invention may be used in a number of applications including audio and video coding. FIGS. 1 and 2 illustrate schematic block diagrams of a transmitter and receiver, respectively, in a coding system that may incorporate various aspects of the present invention. Features of the illustrated transmitter and receiver are discussed briefly in the following sections. Following this discussion, features of some analysis and synthesis filter banks that are pertinent to calculating measures of magnitude and phase are discussed.

1. Transmitter

The transmitter illustrated in FIG. 1 applies the analysis filter bank 3 to a source signal received from the path 1 to generate spectral components that represent the spectral content of the source signal, applies the encoder 5 to the spectral components to generate encoded information, and applies the formatter 8 to the encoded information to generate an output signal suitable for transmission along the path 9. The output signal may be delivered immediately to a companion receiver or recorded for subsequent delivery. The analysis filter bank 3 may be implemented in variety of ways including infinite impulse response (IIR) filters, finite impulse response (FIR) filters, lattice filters and wavelet transforms.

Aspects of the present invention are described below with reference to implementations closely related to the MDCT, however, the present invention is not limited to these particular implementations.

In this disclosure, terms like "encoder" and "encoding" are not intended to imply any particular type of information processing. For example, encoding is often used to reduce information capacity requirements; however, these terms in this disclosure do not necessarily refer to this type of processing. The encoder 5 may perform essentially any type of processing that is desired. In one implementation, encoded information is generated by quantizing spectral components according to a perceptual model. In another implementation, the encoder 5 applies a coupling process to multiple channels of spectral components to generate a composite representation. In yet another implementation, spectral components for a portion of a signal bandwidth are discarded and an estimate of the spectral envelope of the discarded portion is included in the encoded information. No particular type of encoding is important to the present invention.

2. Receiver

The receiver illustrated in FIG. 2 applies the deformatter 23 to an input signal received from the path 21 to obtain encoded information, applies the decoder 25 to the encoded information to obtain spectral components representing the spectral content of a source signal, and applies the synthesis filter bank 27 to the spectral components to generate an output signal that is a replica of the source signal but may not be an exact replica. The synthesis filter bank 27 may be implemented in a variety of ways that are complementary to the implementation of the analysis filter bank 3.

In this disclosure, terms like “decoder” and “decoding” are not intended to imply any particular type of information processing. The decoder 25 may perform essentially any type of processing that is needed or desired. In one implementation that is inverse to an encoding process described above, quantized spectral components are decoded into dequantized spectral components. In another implementation, multiple channels of spectral components are synthesized from a composite representation of spectral components. In yet another implementation, the decoder 25 synthesizes missing portions of a signal bandwidth from spectral envelope information. No particular type of decoding is important to the present invention.

3. Measures of Magnitude and Phase

In one implementation by an Odd Discrete Fourier Transform (ODFT), the analysis filter bank 3 generates complex-valued coefficients or “spectral components” with real and imaginary parts that may be expressed in a two-dimensional space. This transform may be expressed as:

$$X_{ODFT}(k) = \sum_{n=0}^{N-1} x(n) \cdot \exp\left[-j \frac{2\pi}{N} \left(k + \frac{1}{2}\right)(n + n_0)\right] \quad (1)$$

which may be separated into real and imaginary parts

$$X_{ODFT}(k) = \text{Re}[X_{ODFT}(k)] + j \text{Im}[X_{ODFT}(k)] \quad (2)$$

and rewritten as

$$X_{ODFT}(k) = \sum_{n=0}^{N-1} x(n) \cdot \cos\left[\frac{2\pi}{N} \left(k + \frac{1}{2}\right)(n + n_0)\right] - j \cdot \sum_{n=0}^{N-1} x(n) \cdot \sin\left[\frac{2\pi}{N} \left(k + \frac{1}{2}\right)(n + n_0)\right] \quad (3)$$

where $X_{ODFT}(k)$ =ODFT coefficient for spectral component k,

$x(n)$ =source signal amplitude at time n;

$\text{Re}[X]$ =real part of X; and

$\text{Im}[X]$ =imaginary part of X.

The magnitude and phase of each spectral component k may be calculated as follows:

$$\text{Mag}[X_{ODFT}(k)] = |X_{ODFT}(k)| = \sqrt{\text{Re}[X_{ODFT}(k)]^2 + \text{Im}[X_{ODFT}(k)]^2} \quad (4)$$

-continued

$$\text{Phs}[X_{ODFT}(k)] = \arctan\left[\frac{\text{Im}[X_{ODFT}(k)]}{\text{Re}[X_{ODFT}(k)]}\right] \quad (5)$$

where $\text{Mag}[X]$ =magnitude of X; and
 $\text{Phs}[X]$ =phase of X.

Many coding applications implement the analysis filter bank 3 by applying the Modified Discrete Cosine Transform (MDCT) discussed above to overlapping segments of the source signal that are modulated by an analysis window function. This transform may be expressed as:

$$X_{MDCT}(k) = \sum_{n=0}^{N-1} x(n) \cdot \cos\left[\frac{2\pi}{N} \left(k + \frac{1}{2}\right)(n + n_0)\right] \quad (6)$$

where $X_{MDCT}(k)$ =MDCT coefficient for spectral component k. It may be seen that the spectral components that are generated by the MDCT are equivalent to the real part of the ODFT coefficients.

$$X_{MDCT}(k) = \text{Re}[X_{ODFT}(k)] \quad (7)$$

A particular Modified Discrete Sine Transform (MDST) that generates coefficients representing spectral components in quadrature with the spectral components represented by coefficients of the MDCT may be expressed as:

$$X_{MDST}(k) = \sum_{n=0}^{N-1} x(n) \cdot \sin\left[\frac{2\pi}{N} \left(k + \frac{1}{2}\right)(n + n_0)\right] \quad (8)$$

where $X_{MDST}(k)$ =MDST coefficient for spectral component k. It may be seen that the spectral components that are generated by the MDST are equivalent to the negative imaginary part of the ODFT coefficients.

$$X_{MDST}(k) = -\text{Im}[X_{ODFT}(k)] \quad (9)$$

Accurate measures of magnitude and phase cannot be calculated directly from MDCT coefficients but they can be calculated directly from a combination of MDCT and MDST coefficients, which can be seen by substituting equations 7 and 9 into equations 4 and 5:

$$\text{Mag}[X_{ODFT}(k)] = \sqrt{X_{MDCT}^2(k) + X_{MDST}^2(k)} \quad (10)$$

$$\text{Phs}[X_{ODFT}(k)] = \arctan\left[\frac{-X_{MDST}(k)}{X_{MDCT}(k)}\right] \quad (11)$$

The Princen paper mentioned above indicates that a correct use of the MDCT requires the application of an analysis window function that satisfies certain design criteria. The expressions of transform equations in this section of the disclosure omit an explicit reference to any analysis window function, which implies a rectangular analysis window function that does not satisfy these criteria. This does not affect the validity of expressions 10 and 11.

Implementations of the present invention described below obtain measures of spectral component magnitude and phase from MDCT coefficients and from MDST coefficients derived from the MDCT coefficients. These implementations are described below following a discussion of the underlying mathematical basis.

B. Derivation of Mathematical Framework

This section discusses the derivation of an analytical expression for calculating exact MDST coefficients from MDCT coefficients. This expression is shown below in equations 41a and 41b. The derivations of simpler analytical expressions for two specific window functions are also discussed. Considerations for practical implementations are presented following a discussion of the derivations.

One implementation of the present invention discussed below is derived from a process for calculating exact MDST coefficients from MDCT coefficients. This process is equivalent to another process that applies an Inverse Modified Discrete Cosine Transform (IMDCT) synthesis filter bank to blocks of MDCT coefficients to generate windowed segments of time-domain samples, overlap-adds the windowed segments of samples to reconstruct a replica of the original source signal, and applies an MDST analysis filter bank to a segment of the recovered signal to generate the MDST coefficients.

1. Arbitrary Window Function

Exact MDST coefficients cannot be calculated from a single segment of windowed samples that is recovered by applying the IMDCT synthesis filter bank to a single block of MDCT coefficients because the segment is modulated by an analysis window function and because the recovered samples contain time-domain aliasing. The exact MDST coefficients can be computed only with the additional knowledge of the MDCT coefficients for the preceding and subsequent segments. For example, in the case where the segments overlap one another by one-half the segment length, the effects of windowing and the time-domain aliasing for a given segment II can be canceled by applying the synthesis filter bank and associated synthesis window function to three blocks of MDCT coefficients representing three consecutive overlapping segments of the source signal, denoted as segment I, segment II and segment III. Each segment overlaps an adjacent segment by an amount equal to one-half of the segment length. Windowing effects and time-domain aliasing in the first half of segment II are canceled by an overlap-add with the second half of segment I, and these effects in the second half of segment II are canceled by an overlap-add with the first half of segment III.

The expression that calculates MDST coefficients from MDCT coefficients depends on the number of segments of the source signal, the overlap structure and length of these segments, and the choice of the analysis and synthesis window functions. None of these features are important in principle to the present invention. For ease of illustration, however, it is assumed in the examples discussed below that the three segments have the same length N , which is even, and overlap one another by an amount equal to one-half the segment length, that the analysis and synthesis window functions are identical to one another, that the same window functions are applied to all segments of the source signal, and that the window functions are such that their overlap-add properties satisfy the following criterion, which is required for perfect reconstruction of the source signal as explained in the Princen paper.

$$w(r)^2 + w\left(r + \frac{N}{2}\right)^2 = 1 \text{ for } r \in \left[0, \frac{N}{2} - 1\right]$$

where $w(r)$ =analysis and synthesis window function; and N =length of each source signal segment.

The MDCT coefficients X , for the source signal $x(n)$ in each of the segments i may be expressed as:

$$X_I(p) = \sum_{n=0}^{N-1} w(n) \cos\left(\frac{2\pi}{N}\left(p + \frac{1}{2}\right)(n + n_0)\right) \quad (12)$$

$$X_{II}(p) = \sum_{n=0}^{N-1} w(n) x\left(n + \frac{N}{2}\right) \cos\left(\frac{2\pi}{N}\left(p + \frac{1}{2}\right)(n + n_0)\right) \quad (13)$$

$$X_{III}(p) = \sum_{n=0}^{N-1} w(n) x(n + N) \cos\left(\frac{2\pi}{N}\left(p + \frac{1}{2}\right)(n + n_0)\right) \quad (14)$$

The windowed time-domain samples \hat{x} that are obtained from an application of the IMDCT synthesis filter bank to each block of MDCT coefficients may be expressed as:

$$\hat{x}_I(r) = \frac{2w(r)}{N} \sum_{p=0}^{N-1} X_I(p) \cos\left(\frac{2\pi}{N}\left(p + \frac{1}{2}\right)(r + n_0)\right) \quad (15)$$

$$\hat{x}_{II}(r) = \frac{2w(r)}{N} \sum_{p=0}^{N-1} X_{II}(p) \cos\left(\frac{2\pi}{N}\left(p + \frac{1}{2}\right)(r + n_0)\right) \quad (16)$$

$$\hat{x}_{III}(r) = \frac{2w(r)}{N} \sum_{p=0}^{N-1} X_{III}(p) \cos\left(\frac{2\pi}{N}\left(p + \frac{1}{2}\right)(r + n_0)\right) \quad (17)$$

Samples $s(r)$ of the source signal for segment II are reconstructed by overlapping and adding the three windowed segments as described above, thereby removing the time-domain aliasing from the source signal x . This may be expressed as:

$$s(r) = \begin{cases} \hat{x}_I\left(r - \frac{N}{2}\right) + \hat{x}_{II}(r) & \text{for } r \in \left[0, \frac{N}{2}, N - 1\right] \\ \hat{x}_{II}(r) + \hat{x}_{III}\left(r - \frac{N}{2}\right) & \text{for } r \in \left[\frac{N}{2}, N - 1\right] \end{cases} \quad (18)$$

A block of MDST coefficients $S(k)$ may be calculated for segment II by applying an MDST analysis filter bank to the time-domain samples in the reconstructed segment II, which may be expressed as:

$$S(k) = \sum_{r=0}^{N-1} w(r) s(r) \sin\left(\frac{2\pi}{N}\left(k + \frac{1}{2}\right)(r + n_0)\right) \quad (19)$$

Using expression 18 to substitute for $s(r)$, expression 19 can be rewritten as:

$$S(k) = \sum_{r=0}^{\frac{N}{2}-1} w(r) \left[\hat{x}_I\left(r + \frac{N}{2}\right) + \hat{x}_{II}(r) \right] \sin\left(\frac{2\pi}{N}\left(k + \frac{1}{2}\right)(r + n_0)\right) + \sum_{r=\frac{N}{2}}^{N-1} w(r) \left[\hat{x}_{II}(r) + \hat{x}_{III}\left(r - \frac{N}{2}\right) \right] \sin\left(\frac{2\pi}{N}\left(k + \frac{1}{2}\right)(r + n_0)\right) \quad (20)$$

This equation can be rewritten in terms of the MDCT coefficients by using expressions 15-17 to substitute for the time-domain samples:

11

$$\begin{aligned}
S(k) = & \sum_{r=0}^{\frac{N}{2}-1} w(r) \left(\frac{w(r+\frac{N}{2})}{N} \sum_{p=0}^{N-1} X_I(p) \cos\left(\frac{2\pi}{N}\left(p+\frac{1}{2}\right)(r+n_0)\right) \right) \\
& \sin\left(\frac{2\pi}{N}\left(k+\frac{1}{2}\right)(r+n_0)\right) + \\
& \sum_{r=0}^{\frac{N}{2}-1} w(r) \left(\frac{w(r)}{N} \sum_{p=0}^{N-1} X_{II}(p) \cos\left(\frac{2\pi}{N}\left(p+\frac{1}{2}\right)(r+n_0)\right) \right) \\
& \sin\left(\frac{2\pi}{N}\left(k+\frac{1}{2}\right)(r+n_0)\right) + \\
& \sum_{r=\frac{N}{2}}^{N-1} w(r) \left(\frac{w(r)}{N} \sum_{p=0}^{N-1} X_{II}(p) \cos\left(\frac{2\pi}{N}\left(p+\frac{1}{2}\right)(r+n_0)\right) \right) \\
& \sin\left(\frac{2\pi}{N}\left(k+\frac{1}{2}\right)(r+n_0)\right) + \\
& \sum_{r=\frac{N}{2}}^{N-1} w(r) \left(\frac{w(r+\frac{N}{2})}{N} \sum_{p=0}^{N-1} X_{III}(p) \cos\left(\frac{2\pi}{N}\left(p+\frac{1}{2}\right)(r+n_0)\right) \right) \\
& \sin\left(\frac{2\pi}{N}\left(k+\frac{1}{2}\right)(r+n_0)\right)
\end{aligned} \tag{21}$$

The remainder of this section of the disclosure shows how this equation can be simplified as shown below in equations 41a and 41b.

Using the trigonometric identity $\sin \alpha \cdot \cos \beta = \frac{1}{2}[\sin(\alpha+\beta) + \sin(\alpha-\beta)]$ to gather terms and switching the order of summation, expression 21 can be rewritten as

$$\begin{aligned}
S(k) = & \frac{1}{N} \sum_{p=0}^{N-1} X_I(p) \sum_{r=0}^{\frac{N}{2}-1} w(r) w\left(r+\frac{N}{2}\right) \cdot \sin\left[\frac{2\pi}{N}\left(k+\frac{1}{2}\right)(r+n_0) + \frac{2\pi}{N}\left(p+\frac{1}{2}\right)\right. \\
& \left.(r+n_0) + \frac{2\pi}{N}\left(p+\frac{1}{2}\right)\left(\frac{N}{2}\right)\right] + \\
& \frac{1}{N} \sum_{p=0}^{N-1} X_{II}(p) \sum_{r=0}^{\frac{N}{2}-1} w(r) w\left(r+\frac{N}{2}\right) \cdot \sin\left[\frac{2\pi}{N}\left(k+\frac{1}{2}\right)(r+n_0) - \right. \\
& \left. \frac{2\pi}{N}\left(p+\frac{1}{2}\right)(r+n_0) - \frac{2\pi}{N}\left(p+\frac{1}{2}\right)\left(\frac{N}{2}\right)\right] + \\
& \frac{1}{N} \sum_{p=0}^{N-1} X_{II}(p) \sum_{r=0}^{\frac{N}{2}-1} w(r) w(r) \sin\left[\frac{2\pi}{N}(k+p+1)(r+n_0)\right] + \\
& \frac{1}{N} \sum_{p=0}^{N-1} X_{II}(p) \sum_{r=0}^{\frac{N}{2}-1} w(r) w(r) \sin\left[\frac{2\pi}{N}(k-p+1)(r+n_0)\right] + \\
& \frac{1}{N} \sum_{p=0}^{N-1} X_{II}(p) \sum_{r=\frac{N}{2}}^{N-1} w(r) w(r) \sin\left[\frac{2\pi}{N}(k+p+1)(r+n_0)\right] + \\
& \frac{1}{N} \sum_{p=0}^{N-1} X_{III}(p) \sum_{r=\frac{N}{2}}^{N-1} w(r) w(r) \sin\left[\frac{2\pi}{N}(k-p)(r+n_0)\right] +
\end{aligned} \tag{22}$$

12

-continued

$$\begin{aligned}
& \frac{1}{N} \sum_{p=0}^{N-1} X_{III}(p) \sum_{r=\frac{N}{2}}^{N-1} w(r) w\left(r-\frac{N}{2}\right) \cdot \sin\left[\frac{2\pi}{N}\left(k+\frac{1}{2}\right)(r+n_0) + \right. \\
& \left. \frac{2\pi}{N}\left(p+\frac{1}{2}\right)(r+n_0) - \frac{2\pi}{N}\left(p+\frac{1}{2}\right)\left(\frac{N}{2}\right)\right] + \\
& \frac{1}{N} \sum_{p=0}^{N-1} X_{III}(p) \sum_{r=\frac{N}{2}}^{N-1} w(r) w\left(r-\frac{N}{2}\right) \cdot \sin\left[\frac{2\pi}{N}\left(k+\frac{1}{2}\right)(r+n_0) - \right. \\
& \left. \frac{2\pi}{N}\left(p+\frac{1}{2}\right)(r+n_0) + \frac{2\pi}{N}\left(p+\frac{1}{2}\right)\left(\frac{N}{2}\right)\right]
\end{aligned} \tag{23}$$

This expression can be simplified by combining pairs of terms that are equal to each other. The first and second terms are equal to each other. The third and fourth terms are equal to each other. The equality between the third and fourth terms, for example, may be shown by proving the following lemma:

$$\begin{aligned}
& \frac{1}{N} \sum_{p=0}^{N-1} X_{II}(p) \sum_{r=0}^{\frac{N}{2}-1} w(r) w(r) \sin\left[\frac{2\pi}{N}(k+p+1)(r+n_0)\right] = \\
& \frac{1}{N} \sum_{p=0}^{N-1} X_{II}(p) \sum_{r=0}^{\frac{N}{2}-1} w(r) w(r) \sin\left[\frac{2\pi}{N}(k-p)(r+n_0)\right]
\end{aligned} \tag{23}$$

This lemma may be proven by rewriting the left-hand and right-hand sides of equation 23 as functions of p as follows:

$$\frac{1}{N} \sum_{p=0}^{N-1} X_{II}(p) \sum_{r=0}^{\frac{N}{2}-1} w(r) w(r) \sin\left[\frac{2\pi}{N}(k+p+1)(r+n_0)\right] = \frac{1}{N} \sum_{p=0}^{N-1} F(p) \tag{24a}$$

$$\frac{1}{N} \sum_{p=0}^{N-1} X_{II}(p) \sum_{r=0}^{\frac{N}{2}-1} w(r) w(r) \sin\left[\frac{2\pi}{N}(k-p)(r+n_0)\right] = \frac{1}{N} \sum_{p=0}^{N-1} G(p) \tag{24b}$$

where

$$F(p) = X_{II}(p) \sum_{r=0}^{\frac{N}{2}-1} w(r) w(r) \sin\left[\frac{2\pi}{N}(k+p+1)(r+n_0)\right] \tag{25a}$$

$$G(p) = \frac{1}{N} \sum_{p=0}^{N-1} X_{II}(p) \sum_{r=0}^{\frac{N}{2}-1} w(r) w(r) \sin\left[\frac{2\pi}{N}(k-p)(r+n_0)\right] \tag{25b}$$

The expression of G as a function of (p) can be rewritten as a function of (N-1-p) as follows:

$$G(N-1-p) = \tag{26}$$

$$X_{II}(N-1-p) \sum_{r=0}^{\frac{N}{2}-1} w(r) w(r) \sin\left[\frac{2\pi}{N}(k-(N-1-p))(r+n_0)\right]$$

It is known that MDCT coefficients are odd symmetric; therefore, $X_{II}(N-1-p) = -X_{II}(p)$ for

$$p \in \left[0, \frac{N}{2} - 1\right].$$

By rewriting $(k-(N-1-p))$ as $(k+1+p)-N$, it may be seen that $(k-(N-1-p)) \cdot (r+n_0) = (k+1+p) \cdot (r+n_0) - N \cdot (r+n_0)$. These two equalities allow expression 26 to be rewritten as:

$$G(N-1-p) = -X_{II}(p) \sum_{r=0}^{\frac{N}{2}-1} w(r)w(r) \sin \left[\frac{2\pi}{N} (k+p+1)(r+n_0) - 2\pi(r+n_0) \right] \quad (27)$$

Referring to the Princen paper, the value for n_0 is $\frac{1}{2}(N/2+1)$, which is mid-way between two integers. Because r is an integer, it can be seen that the final term $2\pi(r+n_0)$ in the summand of expression 27 is equal to an odd integer multiple of π ; therefore, expression 27 can be rewritten as

$$G(N-1-p) = X_{II}(p) \sum_{r=0}^{\frac{N}{2}-1} w(r)w(r) \sin \left[\frac{2\pi}{N} (k+p+1)(r+n_0) \right] = F(p) \quad (28)$$

which proves the lemma shown in equation 23. The equality between the other pairs of terms in equation 22 can be shown in a similar manner.

By omitting the first, third, fifth and seventh terms in expression 22 and doubling the second, fourth, sixth and eighth terms, equation 22 can be rewritten as follows after simplifying the second and eighth terms:

$$S(k) = \frac{2}{N} \sum_{p=0}^{N-1} X_I(p) \sum_{r=0}^{\frac{N}{2}-1} w(r)w\left(r + \frac{N}{2}\right) \sin \left[\frac{2\pi}{N} (k-p)(r+n_0) - \pi p - \frac{\pi}{2} \right] + \frac{2}{N} \sum_{p=0}^{N-1} X_{II}(p) \sum_{r=0}^{\frac{N}{2}-1} w(r)w(r) \sin \left[\frac{2\pi}{N} (k-p)(r+n_0) \right] + \frac{2}{N} \sum_{p=0}^{N-1} X_{II}(p) \sum_{r=\frac{N}{2}}^{N-1} w(r)w(r) \sin \left[\frac{2\pi}{N} (k-p)(r+n_0) \right] + \frac{2}{N} \sum_{p=0}^{N-1} X_{III}(p) \sum_{r=\frac{N}{2}}^{N-1} w(r)w\left(r - \frac{N}{2}\right) \sin \left[\frac{2\pi}{N} (k-p)(r+n_0) + \pi p + \frac{\pi}{2} \right] \quad (29)$$

Using the following identities:

$$\begin{aligned} \sin(\alpha \pm \pi p) &= (-1)^p \sin \alpha \\ \sin\left(\alpha + \frac{\pi}{2}\right) &= +\cos \alpha \\ \sin\left(\alpha - \frac{\pi}{2}\right) &= -\cos \alpha \end{aligned} \quad (30)$$

expression 29 can be rewritten as:

$$S(k) = \frac{2}{N} \sum_{p=0}^{N-1} (-1)^{p+1} X_I(p) \sum_{r=0}^{\frac{N}{2}-1} w(r)w\left(r + \frac{N}{2}\right) \cos \left[\frac{2\pi}{N} (k-p)(r+n_0) \right] + \quad (31)$$

-continued

$$\begin{aligned} &\frac{2}{N} \sum_{p=0}^{N-1} X_{II}(p) \sum_{r=0}^{\frac{N}{2}-1} w(r)w(r) \sin \left[\frac{2\pi}{N} (k-p)(r+n_0) \right] + \\ &\frac{2}{N} \sum_{p=0}^{N-1} X_{II}(p) \sum_{r=\frac{N}{2}}^{N-1} w(r)w(r) \sin \left[\frac{2\pi}{N} (k-p)(r+n_0) \right] + \\ &\frac{2}{N} \sum_{p=0}^{N-1} (-1)^p X_{III}(p) \sum_{r=\frac{N}{2}}^{N-1} w(r)w\left(r + \frac{N}{2}\right) \cos \left[\frac{2\pi}{N} (k-p)(r+n_0) \right] \end{aligned}$$

The inner summations of the third and fourth terms are changed so that their limits of summation are from $r=0$ to $r=(N/2-1)$ by making the following substitutions:

$$\begin{aligned} \sin\left(\frac{2\pi}{N} (k-p)\left(r + \frac{N}{2}\right)\right) &= (-1)^{k-p} \sin\left(\frac{2\pi}{N} (k-p)(r+n_0)\right) \\ \cos\left(\frac{2\pi}{N} (k-p)\left(r + \frac{N}{2}\right)\right) &= (-1)^{k-p} \cos\left(\frac{2\pi}{N} (k-p)(r+n_0)\right) \end{aligned}$$

This allows equation 31 to be rewritten as

$$S(k) = \quad (32)$$

$$\begin{aligned} &\frac{2}{N} \sum_{p=0}^{N-1} (-1)^{p+1} X_I(p) \sum_{r=0}^{\frac{N}{2}-1} w(r)w\left(r + \frac{N}{2}\right) \cos \left[\frac{2\pi}{N} (k-p)(r+n_0) \right] + \\ &\frac{2}{N} \sum_{p=0}^{N-1} X_{II}(p) \sum_{r=0}^{\frac{N}{2}-1} w(r)w(r) \sin \left[\frac{2\pi}{N} (k-p)(r+n_0) \right] + \\ &\frac{2}{N} \sum_{p=0}^{N-1} (-1)^{(k-p)} X_{II}(p) \sum_{r=0}^{\frac{N}{2}-1} w\left(r + \frac{N}{2}\right) \\ &\quad w\left(r + \frac{N}{2}\right) \sin \left[\frac{2\pi}{N} (k-p)(r+n_0) \right] + \\ &\frac{2}{N} \sum_{p=0}^{N-1} (-1)^p (-1)^k X_{III}(p) \sum_{r=0}^{\frac{N}{2}-1} w\left(r + \frac{N}{2}\right) w(r) \cos \left[\frac{2\pi}{N} (k-p)(r+n_0) \right] \end{aligned} \quad (33)$$

Equation 32 can be simplified by using the restriction imposed on the window function mentioned above that is required for perfect reconstruction of the source signal. This restriction is $w(r)^2 + w(r+N/2)^2 = 1$. With this restriction, equation 31 can be simplified to

$$\begin{aligned} S(k) &= \frac{2}{N} \sum_{p=0}^{N-1} [(-1)^{p+1} X_I(p) + (-1)^k X_{III}(p)] \cdot \\ &\quad \sum_{r=0}^{\frac{N}{2}-1} w(r)w\left(r + \frac{N}{2}\right) \cos \left[\frac{2\pi}{N} (k-p)(r+n_0) \right] + \\ &\quad \frac{2}{N} \sum_{p=0}^{N-1} X_{II}(p) \sum_{r=0}^{\frac{N}{2}-1} w^2(r) \sin \left[\frac{2\pi}{N} (k-p)(r+n_0) \right] + \\ &\quad \frac{2}{N} \sum_{p=0}^{N-1} (-1)^{(k-p)} X_{II}(p) \sum_{r=0}^{\frac{N}{2}-1} (1-w^2(r)) \sin \left[\frac{2\pi}{N} (k-p)(r+n_0) \right] \end{aligned} \quad (33)$$

15

Gathering terms, equation 33 can be rewritten as

$$S(k) = \frac{2}{N} \sum_{p=0}^{N-1} [(-1)^{p+1} X_I(p) + (-1)^k X_{III}(p)].$$

$$\sum_{r=0}^{\frac{N}{2}-1} w(r)w\left(r + \frac{N}{2}\right) \cos\left[\frac{2\pi}{N}(k-p)(r+n_0)\right] + \frac{2}{N}$$

$$\sum_{p=0}^{N-1} [X_{II}(p) - (-1)^{(k-p)} X_{II}(p)] \sum_{r=0}^{\frac{N}{2}-1} w^2(r) \sin\left[\frac{2\pi}{N}(k-p)(r+n_0)\right] +$$

$$\frac{2}{N} \sum_{p=0}^{N-1} (-1)^{(k-p)} X_{II}(p) \sum_{r=0}^{\frac{N}{2}-1} \sin\left[\frac{2\pi}{N}(k-p)(r+n_0)\right]$$

Equation 34 can be simplified by recognizing the inner summation of the third term is equal to zero. This can be shown by proving two lemmas. One lemma postulates the following equality:

$$I_{\alpha,q}(r) = \sum_{r=0}^{\frac{N}{2}-1} \sin\left(\frac{2\pi}{N}(q)(r+\alpha)\right) = \sin\left(\frac{2\pi q\alpha}{N} + \frac{\pi q}{2} - \frac{\pi q}{N}\right) \frac{\sin\frac{\pi q}{2}}{\sin\frac{\pi q}{N}} \quad (35)$$

This equality may be proven by rewriting the summand into exponential form, rearranging, simplifying and combining terms as follows:

$$\begin{aligned} I_{q,\alpha}(r) &= \sum_{r=0}^{\frac{N}{2}-1} \frac{1}{2i} \left[\exp\left(+j\frac{2\pi q}{N}(r+\alpha)\right) - \exp\left(-j\frac{2\pi q}{N}(r+\alpha)\right) \right] \\ &= \frac{1}{2i} \exp\left(+j\frac{2\pi qa}{N}\right) \sum_{r=0}^{\frac{N}{2}-1} \exp\left(+j\frac{2\pi qr}{N}\right) - \\ &\quad \frac{1}{2i} \exp\left(-j\frac{2\pi qa}{N}\right) \sum_{r=0}^{\frac{N}{2}-1} \exp\left(-j\frac{2\pi qr}{N}\right) \\ &= \frac{1}{2i} \exp\left(+j\frac{2\pi qa}{N}\right) \left[\frac{1 - \exp\left(+j\frac{2\pi q}{N} \frac{N}{2}\right)}{1 - \exp\left(+j\frac{2\pi q}{N}\right)} \right] - \\ &\quad \frac{1}{2i} \exp\left(-j\frac{2\pi qa}{N}\right) \left[\frac{1 - \exp\left(-j\frac{2\pi q}{N} \frac{N}{2}\right)}{1 - \exp\left(-j\frac{2\pi q}{N}\right)} \right] \\ &= \frac{1}{2i} \exp\left(+j\frac{2\pi qa}{N}\right) \frac{\exp\left(+j\frac{\pi q}{2}\right) \left[\exp\left(-j\frac{\pi q}{2}\right) - \exp\left(+j\frac{\pi q}{2}\right) \right]}{\exp\left(+j\frac{\pi q}{N}\right) \left[\exp\left(-j\frac{\pi q}{2}\right) - \exp\left(+j\frac{\pi q}{2}\right) \right]} - \\ &\quad \frac{1}{2i} \exp\left(-j\frac{2\pi qa}{N}\right) \frac{\exp\left(-j\frac{\pi q}{2}\right) \left[\exp\left(+j\frac{\pi q}{2}\right) - \exp\left(-j\frac{\pi q}{2}\right) \right]}{\exp\left(-j\frac{\pi q}{N}\right) \left[\exp\left(+j\frac{\pi q}{2}\right) - \exp\left(-j\frac{\pi q}{2}\right) \right]} \\ &= \frac{1}{2i} \exp\left(+j\frac{2\pi qa}{N} + j\frac{\pi q}{2} - j\frac{\pi q}{2}\right) \frac{\sin\frac{\pi q}{2}}{\sin\frac{\pi q}{N}} - \\ &\quad \frac{1}{2i} \exp\left(-j\frac{2\pi qa}{N} - j\frac{\pi q}{2} + j\frac{\pi q}{2}\right) \frac{\sin\frac{\pi q}{2}}{\sin\frac{\pi q}{N}} \end{aligned} \quad (36)$$

16

-continued

$$I_{q,\alpha}(r) = \sin\left(\frac{2\pi q\alpha}{N} + \frac{\pi q}{2} - \frac{\pi q}{N}\right) \frac{\sin\frac{\pi q}{2}}{\sin\frac{\pi q}{N}} \quad (34)$$

The other lemma postulates

$$\sum_{r=0}^{\frac{N}{2}-1} \sin\left[\frac{2\pi}{N}(k-p)(r+n_0)\right] = 0 \text{ for } n_0 = \frac{1}{2}\left(\frac{N}{2} + 1\right). \quad (37)$$

This may be proven by substituting n_0 for a in expression 35 to obtain the following:

$$\begin{aligned} I_{n_0,q}(r) &= \sin\left(\frac{2\pi q\left(\frac{N}{2} + 1\right)}{N} + \frac{\pi q}{2} - \frac{\pi q}{N}\right) \frac{\sin\frac{\pi q}{2}}{\sin\frac{\pi q}{N}} \\ &= \sin\left(\frac{\pi q}{N}\left(\frac{N}{2} + 1\right) + \frac{\pi q}{2} - \frac{\pi q}{N}\right) \frac{\sin\frac{\pi q}{2}}{\sin\frac{\pi q}{N}} \\ &= \sin\left(\frac{\pi q}{2} + \frac{\pi q}{N} + \frac{\pi q}{2} - \frac{\pi q}{N}\right) \frac{\sin\frac{\pi q}{2}}{\sin\frac{\pi q}{N}} \\ &= \sin(\pi q) \frac{\sin\frac{\pi q}{2}}{\sin\frac{\pi q}{N}} = 0, \text{ for } 1, \text{ an integer.} \end{aligned} \quad (37)$$

By substituting $(k-p)$ for q in expression 35 and using the preceding two lemmas, the inner summation of the third term in equation 34 may be shown to equal zero as follows:

$$\sum_{r=0}^{\frac{N}{2}-1} \sin\left[\frac{2\pi}{N}q(r+n_0)\right] = \sum_{r=0}^{\frac{N}{2}-1} \sin\left[\frac{2\pi}{N}(k-p)(r+n_0)\right] = 0 \text{ for } n_0 = \frac{1}{2}\left(\frac{N}{2} + 1\right).$$

Using this equality, equation 34 may be simplified to the following:

$$S(k) = \frac{2}{N} \sum_{p=0}^{N-1} [(-1)^{p+1} X_I(p) + (-1)^k X_{III}(p)] \cdot \sum_{r=0}^{\frac{N}{2}-1} w(r)w\left(r + \frac{N}{2}\right) \cos\left[\frac{2\pi}{N}(k-p)(r+n_0)\right] + \frac{2}{N} \sum_{p=0}^{N-1} [[1 - (-1)^{(k-p)}] X_{II}(p)] \sum_{r=0}^{\frac{N}{2}-1} w^2(r) \sin\left[\frac{2\pi}{N}(k-p)(r+n_0)\right] \quad (38)$$

The MDST coefficients $S(k)$ of a real-valued signal are symmetric according to the expression $S(k)=S(N-1-k)$, for $k \in [0, N-1]$. Using this property, all even numbered coefficients can be expressed as $S(2v)=S(N-1-2v)=S(N-2(v+1)+1)$, for

$$v \in \left[0, \frac{N}{2} - 1\right].$$

17

Because N and $2(v+1)$ are both even numbers, the quantity $(N-2(v+1)+1)$ is an odd number. From this, it can be seen the even numbered coefficients can be expressed in terms of the odd numbered coefficients. Using this property of the coefficients, equation 38 can be rewritten as follows:

$$S(2v) = \frac{2}{N} \sum_{p=0}^{N-1} [(-1)^{p+1} X_I(p) + X_{III}(p)] \cdot \sum_{r=0}^{\frac{N}{2}-1} w(r)w\left(r + \frac{N}{2}\right) \cos\left[\frac{2\pi}{N}(2v-p)(r+n_0)\right] + \frac{2}{N} \sum_{p=0}^{N-1} [(1 - (-1)^{-p})X_{II}(p)] \sum_{r=0}^{\frac{N}{2}-1} w^2(r) \sin\left[\frac{2\pi}{N}(2v-p)(r+n_0)\right] \quad (39)$$

$$\text{where } v \in \left[0, \frac{N}{2} - 1\right]$$

The second term in this equation is equal to zero for all even values of p . The second term needs to be evaluated only for odd values of p , or for $p=2l+1$ for

$$l \in \left[0, \frac{N}{2} - 1\right].$$

$$S(2v) = \frac{2}{N} \sum_{p=0}^{N-1} [(-1)^{p+1} X_I(p) + X_{III}(p)] \cdot \sum_{r=0}^{\frac{N}{2}-1} w(r)w\left(r + \frac{N}{2}\right) \cos\left[\frac{2\pi}{N}(2v-p)(r+n_0)\right] + \frac{4}{N} \sum_{l=0}^{\frac{N}{2}-1} X_{II}(2l+1) \sum_{r=0}^{\frac{N}{2}-1} w^2(r) \sin\left[\frac{2\pi}{N}(2v-(2l+1))(r+n_0)\right] \quad (40)$$

$$\text{where } v \in \left[0, \frac{N}{2} - 1\right]$$

Equation 40 can be rewritten as a summation of two modified convolution operations of two functions $h_{I,III}$ and h_{II} with two sets of intermediate spectral components $m_{I,III}$ and m_{II} that are derived from the MDCT coefficients X_I , X_{II} , and X_{III} for three segments of the source signal as follows:

$$S(2v) = \frac{2}{N} \sum_{p=0}^{N-1} m_{I,III}(p)h_{I,III}(2v-p) + \frac{4}{N} \sum_{l=0}^{\frac{N}{2}-1} m_{II}(2l+1)h_{II}(2v-(2l+1)), \text{ where} \quad (41a)$$

$$m_{I,III}(\tau) = [(-1)^{\tau+1} X_I(\tau) + X_{III}(\tau)]$$

$$m_{II}(\tau) = X_{II}(\tau)$$

$$h_{I,III}(\tau) = \sum_{r=0}^{\frac{N}{2}-1} \omega(r) \omega\left(r + \frac{N}{2}\right) \cos\left[\frac{2\pi}{N}(\tau)(r+n_0)\right],$$

$$h_{II}(\tau) = \sum_{r=0}^{\frac{N}{2}-1} \omega^2(r) \sin\left[\frac{2\pi}{N}(\tau)(r+n_0)\right],$$

$$v \in \left[0, \frac{N}{2} - 1\right],$$

$$S(2v+1) = S(N-2(1+v)) \quad (41b)$$

The results of the modified convolution operations depend on the properties of the functions $h_{I,III}$ and h_{II} , which are impulse responses of hypothetical filters that are related to

18

the combined effects of the IMDCT synthesis filter bank, the subsequent MDST analysis filter bank, and the analysis and synthesis window functions. The modified convolutions need to be evaluated only for even integers.

Each of the impulse responses is symmetric. It may be seen from inspection that $h_{I,III}(\tau) = h_{I,III}(-\tau)$ and $h_{II}(\tau) = -h_{II}(-\tau)$. These symmetry properties may be exploited in practical digital implementations to reduce the amount of memory needed to store a representation of each impulse response. An understanding of how the symmetry properties of the impulse responses interact with the symmetry properties of the intermediate spectral components $m_{I,III}$ and m_{II} may also be exploited in practical implementations to reduce computational complexity.

The impulse responses $h_{I,III}(\tau)$ and $h_{II}(\tau)$ may be calculated from the summations shown above; however, it may be possible to simplify these calculations by deriving simpler analytical expressions for the impulse responses. Because the impulse responses depend on the window function $w(r)$, the derivation of simpler analytical expressions requires additional specifications for the window function. An example of derivations of simpler analytical expressions for the impulse responses for two specific window functions, the rectangular and sine window functions, are discussed below.

2. Rectangular Window Function

The rectangular window function is not often used in coding applications because it has relatively poor frequency selectivity properties; however, its simplicity reduces the complexity of the analysis needed to derive a specific implementation. For this derivation, the window function

$$w(r) = \frac{1}{\sqrt{2}}$$

for $r \in [0, N-1]$ is used. For this particular window function, the second term of equation 41a is equal to zero. The calculation of the MDST coefficients does not depend on the MDCT coefficients for the second segment. As a result, equation 41a may be rewritten as

$$S(2v) = \frac{2}{N} \sum_{p=0}^{N-1} m_{I,III}(p)h_{I,III}(2v-p) \quad (42)$$

$$m_{I,III}(\tau) = [(-1)^{\tau+1} X_I(\tau) + X_{III}(\tau)]$$

$$h_{I,III}(\tau) = \frac{1}{2} \sum_{r=0}^{\frac{N}{2}-1} \cos\left[\frac{2\pi}{N}(\tau)(r+n_0)\right],$$

$$v \in \left[0, \frac{N}{2} - 1\right]$$

If N is restricted to have a value that is a multiple of four, this equation can be simplified further by using another lemma that postulates the following equality:

$$\sum_{r=0}^{\frac{N}{2}-1} \cos\left[\frac{2\pi}{N}(q)(r+n_0)\right] = \begin{cases} \frac{\sin \frac{\pi q}{2}}{\sin \frac{\pi q}{N}} & q \text{ not a multiple of } N \\ (-1)^{\frac{q}{N}} \cdot \frac{N}{2} & q \text{ not a multiple of } N \end{cases} \quad (43)$$

19

-continued

$$\text{where } n_0 = \frac{\frac{N}{2} + 1}{2}$$

This may be proven as follows:

$$\begin{aligned} I &= \sum_{r=0}^{\frac{N}{2}-1} \cos\left[\frac{2\pi}{N}(q)(r+n_0)\right] = \sum_{r=0}^{\frac{N}{2}-1} \sin\left[\frac{2\pi}{N}(q)(r+n_0) + \frac{\pi}{2}\right] \\ &= \sum_{r=0}^{\frac{N}{2}-1} \sin\left[\frac{2\pi}{N}(q)(r+n_0) + \frac{2\pi}{N}(q)\left(\frac{N}{4q}\right)\right] \\ &= \sum_{r=0}^{\frac{N}{2}-1} \sin\left[\frac{2\pi}{N}(q)\left(r+n_0 + \frac{N}{4q}\right)\right] \end{aligned} \quad (44)$$

By using the lemma shown in equation 35 with

$$a = n_0 + \frac{N}{4q},$$

expression 44 can be rewritten as

$$I = \sin\left(\frac{2\pi q\left(n_0 + \frac{N}{4q}\right)}{N} + \frac{\pi q}{2} - \frac{\pi q}{N}\right) \frac{\sin\frac{\pi q}{2}}{\sin\frac{\pi q}{N}} \quad (45)$$

which can be simplified to obtain the following expression:

$$I = (-1)^q \frac{\sin\frac{\pi q}{2}}{\sin\frac{\pi q}{N}} \quad (46)$$

If q is an integer multiple of N such that $q=mN$, then the numerator and denominator of the quotient in expression 46 are both equal to zero, causing the value of the quotient to be indeterminate. L'Hospital's rule may be used to simplify the expression further. Differentiating the numerator and denominator with respect to q and substituting $q=mN$ yields the expression

$$\frac{N \cdot \cos\left(\frac{\pi m N}{2}\right)}{2 \cdot \cos(\pi m)}$$

Because N is an integer multiple of four, the numerator is always equal to N and the denominator is equal to $2 \cdot (-1)^m = 2 \cdot (-1)^{q/N}$. This completes the proof of the lemma expressed by equation 43.

This equality may be used to obtain expressions for the impulse response $h_{I,III}$. Different cases are considered to evaluate the response $h_{I,III}(\tau)$. If τ is an integer multiple of N such that $\tau=mN$ then $h_{I,III}(\tau)=(-1)^m \cdot N/4$. The response equals zero for even values of τ other than an integer multiple of N because the numerator of the quotient in equation 46 is equal to zero. The value of the impulse

20

response $h_{I,III}$ for odd values of τ can be seen from inspection. The impulse response may be expressed as follows:

$$h_{I,III}(\tau) = (-1)^m \frac{N}{4} \text{ for } \tau = mN \quad (47)$$

$$h_{I,III}(\tau) = 0 \text{ for } \tau \text{ even, } \tau \neq 0$$

$$h_{I,III}(\tau) = \frac{1}{2} \frac{(-1)^{\frac{\tau+1}{2}}}{\sin\frac{\pi\tau}{N}} \quad (48)$$

The impulse response $h_{I,III}$ for a rectangular window function and $N=128$ is illustrated in FIG. 6.

By substituting these expressions into equation 42, equations 41a and 41b can be rewritten as:

$$S(2v) = \frac{2}{N} \sum_{p=0}^{N-1} m_{I,III}(p) h_{I,III}(2v-p) \quad (49a)$$

$$m_{I,III}(\tau) = [(-1)^{\tau+1} X_I(\tau) + X_{III}(\tau)]$$

$$h_{I,III}(\tau) = \begin{cases} (-1)^m \frac{N}{4}, \tau = mN \\ 0, \tau \neq mN \text{ and } \tau \text{ even} \\ \frac{1}{2} \cdot \frac{(-1)^{\frac{\tau+1}{2}}}{\sin\frac{\pi\tau}{N}}, \tau \text{ odd} \end{cases}$$

$$S(2v+1) = S(N-2(1+v))v \in \left[0, \frac{N}{2}-1\right] \quad (49b)$$

Using equations 49a and 49b, MDST coefficients for segment II can be calculated from the MDCT coefficients of segments I and III assuming the use of a rectangular window function. The computational complexity of this equation can be reduced by exploiting the fact that the impulse response $h_{I,III}(\tau)$ is equal to zero for many odd values of τ .

3. Sine Window Function

The sine window function has better frequency selectivity properties than the rectangular window function and is used in some practical coding systems. The following derivation uses a sine window function defined by the expression

$$w(r) = \sin(\pi/N(r+1/2)) \quad (50)$$

A simplified expression for the impulse response $h_{I,III}$ may be derived by using a lemma that postulates the following:

$$I(\tau) = \sum_{r=0}^{\frac{N}{2}-1} \omega(r) \omega\left(r + \frac{N}{2}\right) \cos\left[\frac{2\pi}{N}(\tau)(r+n_0)\right], \quad (51)$$

$$= \begin{cases} 0, \tau \text{ odd, } \tau \neq mN+1, \tau \neq mN-1 \\ -\frac{N}{S}(-1)^m, \tau = mN+1 \\ -\frac{N}{S}(-1)^m, \tau = mN-1 \\ \frac{(-1)^{\frac{3\tau}{2}}}{4} \left[\frac{1}{\sin\frac{\pi}{N}(\tau+1)} + \frac{1}{\sin\frac{\pi}{N}(-\tau+1)} \right], \tau \text{ even} \end{cases}$$

-continued

$$\text{where } \omega(r) = \sin\left(\frac{\pi}{N}\left(r + \frac{1}{2}\right)\right)$$

This lemma may be proven by first simplifying the expression for $w(r)w(r+N/2)$ as follows:

$$\begin{aligned} \sin\left(\frac{\pi}{N}\left(r + \frac{1}{2}\right)\right)\sin\left(\frac{\pi}{N}\left(r + \frac{N}{2} + \frac{1}{2}\right)\right) &= \\ \sin\left(\frac{\pi}{N}\left(r + \frac{1}{2}\right)\right)\sin\left(\frac{\pi}{N}\left(r + \frac{1}{2}\right) + \frac{\pi}{2}\right) &= \\ \sin\left(\frac{\pi}{N}\left(r + \frac{1}{2}\right)\right)\cos\left(\frac{\pi}{N}\left(r + \frac{1}{2}\right)\right) &= \frac{1}{2}\sin\left(\frac{2\pi}{N}\left(r + \frac{1}{2}\right)\right) \end{aligned} \quad (52)$$

Substituting this simplified expression into equation 51 obtains the following:

$$I(\tau) = \frac{1}{2} \sum_{r=0}^{\frac{N}{2}-1} \sin\left[\frac{2\pi}{N}\left(r + \frac{1}{2}\right)\right] \cos\left[\frac{2\pi}{N}(\tau)(r + n_0)\right] \quad (53)$$

Using the following trigonometric identity

$$\sin u \cos v = \frac{1}{2}[\sin(u+v) + \sin(u-v)]$$

equation 53 can be rewritten as follows:

$$\begin{aligned} I(\tau) &= \frac{1}{4} \sum_{r=0}^{\frac{N}{2}-1} \sin\left[\frac{2\pi}{N}\left(r + \frac{1}{2}\right) + \frac{2\pi}{N}(\tau)(r + n_0)\right] + \\ &\quad \frac{1}{4} \sum_{r=0}^{\frac{N}{2}-1} \sin\left[\frac{2\pi}{N}\left(r + \frac{1}{2}\right) - \frac{2\pi}{N}(\tau)(r + n_0)\right] \end{aligned}$$

$$\begin{aligned} I(\tau) &= \frac{1}{4} \sum_{r=0}^{\frac{N}{2}-1} \sin\left[\frac{2\pi}{N}\left(r + \frac{1}{2}\right) + \tau r + \tau n_0\right] + \\ &\quad \frac{1}{4} \sum_{r=0}^{\frac{N}{2}-1} \sin\left[\frac{2\pi}{N}\left((-\tau + 1)r - \left(\tau n_0 - \frac{1}{2}\right)\right)\right] \end{aligned}$$

$$\begin{aligned} I(\tau) &= \frac{1}{4} \sum_{r=0}^{\frac{N}{2}-1} \sin\left[\frac{2\pi}{N}\left((\tau + 1)r + \left(\tau n_0 + \frac{1}{2}\right)\right)\right] + \\ &\quad \frac{1}{4} \sum_{r=0}^{\frac{N}{2}-1} \sin\left[\frac{2\pi}{N}\left((-\tau + 1)r - \left(\tau n_0 - \frac{1}{2}\right)\right)\right] \end{aligned}$$

$$\begin{aligned} I(\tau) &= \frac{1}{4} \sum_{r=0}^{\frac{N}{2}-1} \sin\left[\frac{2\pi}{N}(\tau + 1)\left(r + \frac{\tau n_0 + \frac{1}{2}}{\tau + 1}\right)\right] + \\ &\quad \frac{1}{4} \sum_{r=0}^{\frac{N}{2}-1} \sin\left[\frac{2\pi}{N}(-\tau + 1)\left(r - \frac{\tau n_0 - \frac{1}{2}}{-\tau + 1}\right)\right] \end{aligned} \quad (56)$$

Equation 55 can be simplified by substitution in both terms of $I(\tau)$ according to equation 35, setting $q=(\tau+1)$ and

$$a = \frac{n_0 + \frac{1}{2}}{(\tau + 1)}$$

5

in the first term, and setting $q=(-\tau+1)$ and

$$a = \frac{n_0 - \frac{1}{2}}{(-\tau + 1)}$$

10

in the second term. This yields the following:

$$I(\tau) = \frac{1}{4} \sin\left(\frac{2\pi}{N}\left(\tau n_0 + \frac{1}{2}\right) + \frac{\pi}{2}(\tau + 1) - \frac{\pi}{N}(\tau + 1)\right) \frac{\sin\frac{\pi}{2}(\tau + 1)}{\sin\frac{\pi}{N}(\tau + 1)} + \quad (57)$$

$$\frac{1}{4} \sin\left(\frac{2\pi}{N}\left(-\tau n_0 + \frac{1}{2}\right) + \frac{\pi}{2}(-\tau + 1) - \frac{\pi}{N}(-\tau + 1)\right)$$

$$\frac{\sin\frac{\pi}{2}(-\tau + 1)}{\sin\frac{\pi}{N}(-\tau + 1)}$$

20

$$I(\tau) = \frac{1}{4} \sin\left(\frac{\pi}{N}(\tau)\left(\frac{N}{2} + 1\right) + \frac{\pi}{2}(\tau + 1) - \frac{\pi}{N}(\tau)\right) \frac{\sin\frac{\pi}{2}(\tau + 1)}{\sin\frac{\pi}{N}(\tau + 1)} + \quad (54)$$

$$\frac{1}{4} \sin\left(\frac{\pi}{N}(-\tau)\left(\frac{N}{2} + 1\right) + \frac{\pi}{2}(-\tau + 1) - \frac{\pi}{N}(-\tau)\right) \frac{\sin\frac{\pi}{2}(-\tau + 1)}{\sin\frac{\pi}{N}(-\tau + 1)}$$

25

30

$$I(\tau) = \frac{1}{4} \left(\frac{\pi}{2}(\tau) + \frac{\pi}{2}(\tau + 1)\right) \frac{\sin\frac{\pi}{2}(\tau + 1)}{\sin\frac{\pi}{N}(\tau + 1)} +$$

$$\frac{1}{4} \left(\frac{\pi}{2}(-\tau) + \frac{\pi}{2}(-\tau + 1)\right) \frac{\sin\frac{\pi}{2}(-\tau + 1)}{\sin\frac{\pi}{N}(-\tau + 1)}$$

35

40

$$I(\tau) = \frac{1}{4} \sin(\pi\tau) + \frac{\pi}{2} \frac{\sin\frac{\pi}{2}(\tau + 1)}{\sin\frac{\pi}{N}(\tau + 1)} + \frac{1}{4} \sin(\pi(-\tau) + \frac{\pi}{2}) \frac{\sin\frac{\pi}{2}(-\tau + 1)}{\sin\frac{\pi}{N}(-\tau + 1)} \quad (58)$$

$$I(\tau) = \frac{1}{4} \cos(\pi\tau) \cdot \frac{\cos\frac{\pi}{2}\tau}{\sin\frac{\pi}{N}(\tau + 1)} + \frac{1}{4} \cos(-\pi\tau) \cdot \frac{\cos\frac{-\pi}{2}\tau}{\sin\frac{-\pi}{N}(\tau + 1)}$$

45

$$I(\tau) = \frac{(-1)^T}{4} \cdot \frac{\cos\frac{\pi}{2}\tau}{\sin\frac{\pi}{N}(\tau + 1)} + \frac{(-1)^T}{4} \cdot \frac{\cos\frac{\pi}{2}(-\tau)}{\sin\frac{-\pi}{N}(-\tau + 1)}$$

50

55

$$I(\tau) = \frac{(-1)^T}{4} \cos\frac{\pi}{2}\tau \cdot \left[\frac{1}{\sin\frac{\pi}{N}(\tau + 1)} + \frac{1}{\sin\frac{\pi}{N}(-\tau + 1)} \right]$$

60

$$I(\tau) = \begin{cases} \frac{(-1)^{\frac{3\tau}{2}}}{4} \left[\frac{1}{\sin\frac{\pi}{N}(\tau + 1)} + \frac{1}{\sin\frac{\pi}{N}(-\tau + 1)} \right], & \tau \text{ even} \\ 0, & \tau \text{ odd} \end{cases}$$

Equation 58 is valid unless the denominator for either quotient is equal to zero. These special cases can be analyzed by inspecting equation 57 to identify the conditions under which either denominator is zero. It can be seen from

23

equation 57 that singularities occur for $\tau=mN+1$ and $\tau=mN-1$, where m is an integer. The following assumes N is an integer multiple of four.

For $\tau=mN+1$ equation 57 can be rewritten as:

$$\begin{aligned} I(mN+1) &= \frac{1}{4} \sin\left(\pi(mN+1) + \frac{\pi}{2}\right) \cdot \frac{\sin\frac{\pi}{2}(mN+2)}{\sin\frac{\pi}{2}(mN+1)} + \\ &\quad \frac{1}{4} \sin\left(-\pi(mN+1) + \frac{\pi}{2}\right) \cdot \\ &\quad \frac{\sin\frac{\pi}{2}(-(mN+1)+1)}{\sin\frac{\pi}{2}(-(mN+1)+1)} \\ &= 0 + \frac{1}{4} \sin\left(-\pi mN - \frac{\pi}{2}\right) \frac{\sin\frac{-mN\pi}{2}}{\sin\frac{-mN\pi}{N}} \\ &= -\frac{1}{4} \frac{\sin\frac{-mN\pi}{2}}{\sin\frac{-mN\pi}{N}} \end{aligned} \quad (59)$$

The value of the quotient is indeterminate because the numerator and denominator are both equal to zero. L'Hospital's rule can be used to determine its value. Differentiating numerator and denominator with respect to m yields the following:

$$\begin{aligned} I(mN+1) &= -\frac{1}{4} \frac{\frac{N\pi}{2} \cos\frac{-mN\pi}{2}}{-\pi \cos - mn} \\ &= -\frac{N}{8} (-1)^m \end{aligned} \quad (60)$$

For $\tau=mN-1$ equation 57 can be rewritten as:

$$\begin{aligned} I(mN-1) &= \frac{1}{4} \sin\left(\pi(mN-1) + \frac{\pi}{2}\right) \cdot \frac{\sin\frac{\pi}{2}(mN+1-1)}{\sin\frac{\pi}{2}(mN+1-1)} + \\ &\quad \frac{1}{4} \sin\left(-\pi(mN-1) + \frac{\pi}{2}\right) \cdot \frac{\sin\frac{\pi}{2}(-(mN-1)+1)}{\sin\frac{\pi}{2}(-(mN-1)+1)} \\ I(mN-1) &= \frac{1}{4} \sin\left(\pi mN - \frac{\pi}{2}\right) \frac{\sin\frac{\pi mN}{2}}{\sin\frac{\pi mN}{2}} + 0 \end{aligned} \quad (61)$$

The value of the quotient in this equation is indeterminate because the numerator and denominator are both equal to zero. L'Hospital's rule can be used to determine its value. Differentiating numerator and denominator with respect to m yields the following:

$$\begin{aligned} I(mN-1) &= -\frac{1}{4} \frac{\frac{\pi N}{2} \cos\frac{\pi mN}{2}}{\frac{\pi}{\cos\pi m}} \\ &= -\frac{N}{8} (-1)^m \end{aligned} \quad (62)$$

The lemma expressed by equation 51 is proven by combining equations 58, 60 and 62.

A simplified expression for the impulse response h_{II} may be derived by using a lemma that postulates the following:

24

$$I(\tau) = \sum_{r=0}^{\frac{N}{2}-1} \omega(r) \omega(r) \sin\left[\frac{2\pi}{N}(\tau)(r+n_0)\right], \quad (63)$$

$$= \begin{cases} 0, \tau \text{ odd}, \tau \neq mN+1, \tau \neq mN-1 - \\ \frac{N}{S} (-1)^m, \tau = mN+1 - \\ \frac{N}{S} (-1)^{m+1}, \tau = mN-1 \\ \frac{(-1)^{\frac{\delta\tau}{2}}}{4} \left[\frac{-1}{\sin\frac{\pi}{N}(\tau+1)} + \frac{1}{\sin\frac{\pi}{N}(-\tau+1)} \right], \\ \tau \text{ even where} \end{cases}$$

$$\omega(r) = \sin\left(\frac{\pi}{N}\left(r + \frac{1}{2}\right)\right)$$

The proof of this lemma is similar to the previous proof. This proof begins by simplifying the expression for $w(r)w(r)$. Recall that $\sin^2 \alpha = \frac{1}{2} - \frac{1}{2} \cos(2\alpha)$, so that:

$$\sin^2\left(\frac{\pi}{N}\left(r + \frac{1}{2}\right)\right) = \frac{1}{2} - \frac{1}{2} \cos\left(\frac{2\pi}{N}\left(r + \frac{1}{2}\right)\right) \quad (64)$$

Using this expression, equation 63 can be rewritten as:

$$\begin{aligned} I(\tau) &= \sum_{r=0}^{\frac{N}{2}-1} \left[\frac{1}{2} - \frac{1}{2} \cos\left(\frac{2\pi}{N}\left(r + \frac{1}{2}\right)\right) \right] \sin\left[\frac{2\pi}{N}(\tau)(r+n_0)\right] \\ &= \frac{1}{2} \sum_{r=0}^{\frac{N}{2}-1} \sin\left[\frac{2\pi}{N}(\tau)(r+n_0)\right] - \\ &\quad \frac{1}{2} \sum_{r=0}^{\frac{N}{2}-1} \cos\left[\frac{2\pi}{N}\left(r + \frac{1}{2}\right)\right] \sin\left[\frac{2\pi}{N}(\tau)(r+n_0)\right] \end{aligned} \quad (65)$$

From equation 37 and the associated lemma, it may be seen the first term in equation 65 is equal to zero. The second term may be simplified using the trigonometric identity $\cos u \cdot \sin v = \frac{1}{2} [\sin(u+v) - \sin(u-v)]$, which obtains the following:

$$\begin{aligned} I(\tau) &= -\frac{1}{4} \sum_{r=0}^{\frac{N}{2}-1} \sin\left[\frac{2\pi}{N}\left(r + \frac{1}{2}\right) + \frac{2\pi}{N}(\tau)(r+n_0)\right] + \\ &\quad \frac{1}{4} \sum_{r=0}^{\frac{N}{2}-1} \sin\left[\frac{2\pi}{N}\left(r + \frac{1}{2}\right) - \frac{2\pi}{N}(\tau)(r+n_0)\right] \end{aligned} \quad (66)$$

Referring to equation 66, its first term is equal to the negative of the first term in equation 55 and its second term is equal to the second term of equation 55. The proof of the lemma expressed in equation 63 may be proven in a manner similar to that used to prove the lemma expressed in equation 51. The principal difference in the proof is the singularity analyses of equation 59 and equation 61. For this proof, $I(mN-1)$ is multiplied by an additional factor of -1 ; therefore,

$$I(mN-1) = \frac{N}{8}(-1)^{m+1}.$$

Allowing for this difference along with the minus sign preceding the first term of equation 55, the lemma expressed in equation 63 is proven.

An exact expression for impulse response $h_{II}(\tau)$ is given by this lemma; however, it needs to be evaluated only for odd values of τ because the modified convolution of h_{II} in equation 41a is evaluated only for $\tau=(2v-(2l+1))$. According to equation 63, $h_{II}(\tau)=0$ for odd values of τ except for $\tau=mN+1$ and $\tau=mN-1$. Because $h_{II}(\tau)$ is non-zero for only two values of τ , this impulse response can be expressed as:

$$h_{II}(\tau) = \begin{cases} -\frac{N}{S}(-1)^m, & \tau = mN + 1 \\ -\frac{N}{S}(-1)^{m+1}, & \tau = mN - 1 \\ 0, & \text{otherwise} \end{cases} \quad (67)$$

The impulse responses $h_{I,III}(\tau)$ and $h_{II}(\tau)$ for the sine window function and $N=128$ are illustrated in FIGS. 7 and 8, respectively.

Using the analytical expressions for the impulse responses $h_{I,III}$ and h_{II} provided by equations 51 and 67, equations 41a and 41b can be rewritten as:

$$S(2v) = \frac{2}{N} \sum_{p=0}^{N-1} m_{I,III}(p)h_{I,III}(2v-p) + \frac{4}{N} \sum_{l=0}^{\frac{N}{2}-1} m_{II}(2l+1)h_{II}(2v-(2l+1)), \text{ where} \quad (68a)$$

$$m_{I,III}(\tau) = [(-1)^{\tau+1}X_I(\tau) + X_{III}(\tau)]$$

$$m_{II}(\tau) = X_{II}(\tau)$$

$$h_{I,III}(\tau) = \begin{cases} 0, & \tau \text{ odd}, \tau \neq mN + 1, \tau \neq mN - 1 - \\ \frac{N}{S}(-1)^m, & \tau = mN + 1 - \\ \frac{N}{S}(-1)^m, & \tau = mN - 1 \\ \frac{(-1)^{\frac{\delta\tau}{2}}}{4} \left[\frac{1}{\sin\frac{\pi}{N}(\tau+1)} + \frac{1}{\sin\frac{\pi}{N}(-\tau+1)} \right], & \tau \text{ even} \end{cases} \quad (68b)$$

$$h_{II}(\tau) = \begin{cases} -\frac{N}{S}(-1)^m, & \tau = mN + 1 \\ -\frac{N}{S}(-1)^{m+1}, & \tau = mN - 1 \\ 0, & \text{otherwise} \end{cases} \quad (68b)$$

Using equations 68a and 68b, MDST coefficients for segment II can be calculated from the MDCT coefficients of segments I, II and III assuming the use of a sine window function. The computational complexity of this equation can be reduced further by exploiting the fact that the impulse response $h_{I,III}(\tau)$ is equal to zero for many odd values of τ .

Equations 41a and 41b express a calculation of exact MDST coefficients from MDCT coefficients for an arbitrary window function. Equations 49a, 49b, 68a and 68b express calculations of exact MDST coefficients from MDCT coefficients using a rectangular window function and a sine window function, respectively. These calculations include operations that are similar to the convolution of impulse responses. The computational complexity of calculating the convolution-like operations can be reduced by excluding from the calculations those values of the impulse responses that are known to be zero.

The computational complexity can be reduced further by excluding from the calculations those portions of the full responses that are of lesser significance; however, this resulting calculation provides only an estimate of the MDST coefficients because an exact calculation is no longer possible. By controlling the amounts of the impulse responses that are excluded from the calculations, an appropriate balance between computational complexity and estimation accuracy can be achieved.

The impulse responses themselves are dependent on the shape of the window function that is assumed. As a result, the choice of window function affects the portions of the impulse responses that can be excluded from calculation without reducing coefficient estimation accuracy below some desired level.

An inspection of equation 49a for rectangular window functions shows the impulse response $h_{I,III}$ is symmetric about $\tau=0$ and decays moderately rapidly. An example of this impulse response for $N=128$ is shown in FIG. 6. The impulse response h_{II} is equal to zero for all values of τ .

An inspection of equation 68a for the sine window function shows the impulse response $h_{I,III}$ is symmetric about $\tau=0$ and decays more rapidly than the corresponding response for the rectangular window function. For the sine window function, the impulse response h_{II} is non-zero for only two values of τ . An example of the impulse responses $h_{I,III}$ and h_{II} for a sine window function and $N=128$ are shown in FIGS. 7 and 8, respectively.

Based on these observations, a modified form of equations 41a and 41b that provides an estimate of MDST coefficients for any analysis or synthesis window function may be expressed in terms of two filter structures as follows:

$$S(2v) = \text{filter_structure_1}(2v) + \text{filter_structure_2}(2v) \quad (69)$$

$$\text{filter_structure_1}(2v) = \frac{2}{N} \sum_{p=0}^{N-1} m_{I,III}(p)h_{I,III}(2v-p) \quad (70)$$

$$m_{I,III}(\tau) = [(-1)^{\tau+1}X_I(\tau) + X_{III}(\tau)] \quad (71)$$

$$h_{I,III}(\tau) = \begin{cases} 0 & \text{if } \tau \in [\tau_{\text{trunc1}}, N - \tau_{\text{trunc1}}] \\ \sum_{r=0}^{\frac{N}{2}-1} \omega(\tau)\omega\left(r + \frac{N}{2}\right) \cdot \\ \cos\left[\frac{2\pi}{N}(\tau)(r + n_0)\right], & \text{o.w.} \end{cases} \quad (72)$$

$$\text{filter_structure_2}(2v) = \frac{4}{N} \sum_{l=0}^{\frac{N}{2}-1} m_{II}(2l+1)h_{II}(2v-(2l+1)) \quad (73)$$

$$m_{II}(\tau) = X_{II}(\tau) \quad (74)$$

27

-continued

$$h_{II}(\tau) = \begin{cases} 0 & \text{if } \tau \in \left[\tau_{trunc2}, \frac{N}{2} - 1 - \tau_{trunc2} \right] \\ \sum_{r=0}^{\frac{N}{2}-1} \omega^2(r) \sin \left[\frac{2\pi}{N} (\tau)(r + n_0) \right] & \text{otherwise} \end{cases} \quad (75)$$

$$S(2v+1) = S(N - 2(1+v)) \quad (76)$$

where

$$v \in \left[0, \frac{N}{2} - 1 \right], n_0 = \frac{N}{2} + 1 \quad (77)$$

ntaps_{tot} , τ_{trunc1} , τ_{trunc2} are chosen to satisfy

$$\tau_{trunc1} \in \left[1, \frac{N}{2} \right], \tau_{trunc2} \in \left[1, \frac{N}{4} - 1 \right], \quad (78)$$

$$\text{ntaps}_{tot} = 2\tau_{trunc1} - 1 + 2\tau_{trunc2}$$

An example of a device **30** that estimates MDST coefficients according to equation 69 is illustrated by a schematic block diagram in FIG. **3**. In this implementation, the intermediate component generator **32** receives MDCT coefficients from the path **1** and derives first intermediate components $m_{I,III}$ from the MDCT coefficients X_I and X_{III} of segments I and III, respectively, by performing the calculations shown in equation 71, and derives first intermediate components m_{II} from the MDCT coefficients X_{II} of segment II by performing the calculations shown in equation 74. The intermediate component generator **34** derives second intermediate components by forming a combination of first intermediate components $m_{I,III}$ according to a portion of the impulse response $h_{I,III}$ received from the impulse responses **33** by performing the calculations shown in equation 70, and derives second intermediate components by forming a combination of first intermediate components m_{II} according to a portion of the impulse response h_{II} received from the impulse responses **33** by performing the calculations shown in equation 73. Any portion of the two impulse responses may be used as expressed by the values τ_{trunc1} and τ_{trunc2} including the entire responses. The use of longer impulse responses increases computational complexity and generally increases the accuracy of MDST coefficient estimation. The spectral component generator **35** obtains MDST coefficients from the second intermediate components by performing the calculations shown in equations 69 and 76.

The magnitude and phase estimator **36** calculates measures of magnitude and phase from the calculated MDST coefficients and the MDCT coefficients received from the path **31** and passes these measures along the paths **38** and **39**. The MDST coefficients may also be passed along the path **37**. Measures of spectral magnitude and phase may be obtained by performing the calculations shown above in equations 10 and 11, for example. Other examples of measures that may be obtained include spectral flux, which may be obtained from the first derivative of spectral magnitude, and instantaneous frequency, which may be obtained from the first derivative of spectral phase.

Referring to the impulse responses shown in FIGS. **6-8**, for example, it may be seen that the coefficient values obtained by the convolution-type operations of the two filter structures are dominated by the portions of the responses that are near $\tau=0$. A balance between computational complexity and estimation accuracy may be achieved for a particular implementation by choosing the total number of filter taps ntaps_{tot} that are used to implement the two filter structures. The total number of taps ntaps_{tot} may be distrib-

28

uted between the first and second filter structures as desired according to the values of τ_{trunc1} and τ_{trunc2} , respectively, to adapt MDST coefficient estimation to the needs of specific applications. The distribution of taps between the two filter structures can affect estimation accuracy but it does not affect computational complexity.

The number and choice of taps for each filter structure can be selected using any criteria that may be desired. For example, an inspection of two impulse responses $h_{I,III}$ and h_{II} will reveal the portions of the responses that are more significant. Taps may be chosen for only the more significant portions. In addition, computational complexity may be reduced by obtaining only selected MDST coefficients such as the coefficients in one or more frequency ranges.

An adaptive implementation of the present invention may use larger portions of the impulse responses to estimate the MDST coefficients for spectral components that are judged to be perceptually more significant by a perceptual model. For example, a measure of perceptual significance for a spectral component could be derived from the amount by which the spectral component exceeds a perceptual masking threshold that is calculated by a perceptual model. Shorter portions of the impulse responses may be used to estimate MDST coefficients for perceptually less significant spectral components. Calculations needed to estimate MDST coefficients for the least significant spectral components can be avoided.

A non-adaptive implementation may obtain estimates of MDST coefficients in various frequency subbands of a signal using portions of the impulse responses whose lengths vary according to the perceptual significance of the subbands as determined previously by an analysis of exemplary signals. In many audio coding applications, spectral content in lower frequency subbands generally has greater perceptual significance than spectral content in higher frequency subbands. In these applications, for example, a non-adaptive implementation could estimate MDST coefficients in subbands using portions of the impulse responses whose length varies inversely with the frequency of the subbands.

D. Additional Considerations

The preceding disclosure sets forth examples that describes only a few implementations of the present invention. Principles of the present invention may be applied and implemented in a wide variety of ways. Additional considerations are discussed below.

1. Other Transforms

The exemplary implementations described above are derived from the MDCT that is expressed in terms of the ODFT as applied to fixed-length segments of a source signal that overlap one another by half the segment length. A variation of the examples discussed above as well as a variation of the alternatives discussed below may be obtained by deriving implementations from the MDST that is expressed in terms of the ODFT.

Additional implementations of the present invention may be derived from expressions of other transforms including the DFT, the FFT and a generalized expression of the MDCT filter bank discussed in the Princen paper cited above. This generalized expression is described in U.S. Pat. No. 5,727, 119 issued Mar. 10, 1998.

Implementations of the present invention also may be derived from expressions of transforms that are applied to varying-length signal segments and transforms that are

applied to segments having no overlap or amounts of overlap other than half the segment length.

2. Adaptive Estimation

Some empirical results suggest that an implementation of the present invention with a specified level of computational complexity is often able to derive measures of spectral component magnitude that is more accurate for spectral components representing a band of spectral energy than it is for spectral components representing a single sinusoid or a few sinusoids that are isolated from one another in frequency. The process that estimates spectral component magnitude may be adapted in at least two ways to improve estimation accuracy for signals that have isolated spectral components.

One way to adapt the process is by adaptively increasing the length of the impulse responses for two filter structures shown in equation 69 so that more accurate computations can be performed for a restricted set of MDST coefficients that are related to the one or more isolated spectral components.

Another way to adapt this process is by adaptively performing an alternate method for deriving spectral component magnitudes for isolated spectral components. The alternate method derives an additional set of spectral components from the MDCT coefficients and the additional set of spectral components are used to obtain measures of magnitude and/or phase. This adaptation may be done by selecting the more appropriate method for segments of the source signal, and it may be done by using the more appropriate method for portions of the spectrum for a particular segment. A method that is described in the Merdjani paper cited above is one possible alternate method. If it is used, this method preferably is extended to provide magnitude estimates for more than a single sinusoid. This may be done by dynamically arranging MDCT coefficients into bands of frequencies in which each band has a single dominant spectral component and applying the Merdjani method to each band of coefficients.

The presence of a source signal that has one dominant spectral component or a few isolated dominant spectral components may be detected using a variety of techniques. One technique detects local maxima in MDCT coefficients having magnitudes that exceed the magnitudes of adjacent and nearby coefficients by some threshold amount and either counting the number of local maxima or determining the spectral distance between local maxima. Another technique determines the spectral shape of the source signal by calculating an approximate Spectral Flatness Measure (SFM) of the source signal. The SFM is described in N. Jayant et al., "Digital Coding of Waveforms," Prentice-Hall, 1984, p. 57, and is defined as the ratio of the geometric mean and the arithmetic mean of samples of the power spectral density of a signal.

3. Implementation

The present invention may be used advantageously in a wide variety of applications. Schematic block diagrams of a transmitter and a receiver incorporating various aspects of the present invention are shown in FIGS. 4 and 5, respectively.

The transmitter shown in FIG. 4 is similar to the transmitter shown in FIG. 1 and includes the estimator 30, which incorporates various aspects of the present invention to provide measures of magnitude and phase along the paths 38

and 39, respectively. The encoder 6 uses these measures to generate encoded information representing the spectral components received from the analysis filter bank 3. Examples of processes that may be used in the encoder 6, which may depend on the measures of magnitude or phase, include perceptual models used to determine adaptive quantization levels, coupling, and spectral envelope estimation for later use by spectral regeneration decoding processes.

The receiver shown in FIG. 5 is similar to the receiver shown in FIG. 2 and includes the estimator 30, which incorporates various aspects of the present invention to provide measures of magnitude and phase along the paths 38 and 39, respectively. The estimator 30 may also provide MDST coefficients along the path 37. The decoder 26 uses these measures to obtain spectral components from encoded information received from the deformatter 23. Examples of processes that may be used in the decoder 26, which may depend on the measures of magnitude or phase, include perceptual models used to determine adaptive quantization levels, spectral component synthesis from composite or coupled representations, and spectral component regeneration.

Devices that incorporate various aspects of the present invention may be implemented in a variety of ways including software for execution by a computer or some other apparatus that includes more specialized components such as digital signal processor (DSP) circuitry coupled to components similar to those found in a general-purpose computer. FIG. 9 is a schematic block diagram of device 70 that may be used to implement aspects of the present invention. DSP 72 provides computing resources. RAM 73 is system random access memory (RAM) used by DSP 72 for signal processing. ROM 74 represents some form of persistent storage such as read only memory (ROM) for storing programs needed to operate device 70 and to carry out various aspects of the present invention. I/O control 75 represents interface circuitry to receive and transmit signals by way of communication channels 76, 77. Analog-to-digital converters and digital-to-analog converters may be included in I/O control 75 as desired to receive and/or transmit analog signals. In the embodiment shown, all major system components connect to bus 71, which may represent more than one physical bus; however, a bus architecture is not required to implement the present invention.

In embodiments implemented in a general purpose computer system, additional components may be included for interfacing to devices such as a keyboard or mouse and a display, and for controlling a storage device having a storage medium such as magnetic tape or disk, or an optical medium. The storage medium may be used to record programs of instructions for operating systems, utilities and applications, and may include embodiments of programs that implement various aspects of the present invention.

The functions required to practice various aspects of the present invention can be performed by components that are implemented in a wide variety of ways including discrete logic components, integrated circuits, one or more ASICs and/or program-controlled processors. The manner in which these components are implemented is not important to the present invention.

Software implementations of the present invention may be conveyed by a variety of machine readable media such as baseband or modulated communication paths throughout the spectrum including from supersonic to ultraviolet frequencies, or storage media that convey information using essen-

tially any recording technology including magnetic tape, cards or disk, optical cards or disc, and detectable markings on media like paper.

What is claimed is:

[1. A method of processing information representing a source signal conveying content intended for human perception, the method comprising:

receiving first spectral components that were generated by application of an analysis filterbank to the source signal, wherein the first spectral components represent spectral content of the source signal expressed in a first subspace of a multidimensional space;

deriving one or more first intermediate components from at least some of the first spectral components, wherein at least some of the first intermediate components differ from the first spectral components from which they are derived;

forming a combination of the one or more first intermediate components according to at least a portion of one or more impulse responses to obtain one or more second intermediate components;

deriving one or more second spectral components from the one or more second intermediate components, wherein the second spectral components represent spectral content of the source signal expressed in a second subspace of the multidimensional space that includes a portion of the multidimensional space not included in the first subspace;

obtaining estimated measures of magnitude or phase using the first spectral components and the second spectral components; and

applying an adaptive process to the first spectral components to generate processed information, wherein the adaptive process is responsive to the estimated measures of magnitude or phase.]

[2. The method of claim 1, wherein:

the first spectral components are transform coefficients arranged in one or more blocks of transform coefficients that were generated by application of one or more transforms to one or more segments of the source signal; and

the portions of the one or more impulse responses are based on frequency response characteristics of the one or more transforms.]

[3. The method of claim 2, wherein the frequency response characteristics of the one or more transforms are dependent on characteristics of one or more analysis window functions that were applied with the one or more transforms to the one or more segments of the source signal.]

[4. The method of claim 3, wherein at least some of the one or more transforms implement an analysis filter bank that generates the first spectral components with time-domain aliasing.]

[5. The method of claim 3, wherein at least some of the one or more transforms generate first spectral components having real values expressed in the first subspace, and wherein the second spectral values have imaginary values expressed in the second subspace.]

[6. The method of claim 5, wherein the transforms that generate first spectral components having real values expressed in the first subspace are Discrete Cosine Transforms or Modified Discrete Cosine Transforms.]

[7. The method of claim 1, wherein:

the first spectral components are transform coefficients arranged in one or more blocks of transform coeffi-

icients that were generated by application of one or more transforms to one or more segments of the source signal,

the one or more second intermediate components are obtained by combining the one or more first intermediate components according to a portion of the one or more impulse responses, each of the one or more impulse responses comprise a respective set of elements arranged in order, and

the portion of each of the one or more impulse responses excludes every other element in the respective set of elements.]

[8. The method according to claim 1 that further comprises obtaining estimated measures of magnitude or phase using one or more third spectral components that are derived from at least some of the one or more first spectral components.]

[9. The method according to claim 8, wherein:

the first spectral components are transform coefficients arranged in one or more blocks of transform coefficients that were generated by application of one or more transforms to one or more segments of the source signal;

the third spectral components are derived from a combination of two or more of the first spectral components; and

the estimated measures of magnitude or phase for a respective segment of the source signal are obtained adaptively using either the third spectral components or using the first and second spectral components.]

[10. The method according to claim 8, wherein:

the first spectral components are transform coefficients arranged in one or more blocks of transform coefficients that were generated by application of one or more transforms to one or more segments of the source signal;

the third spectral components are derived from a combination of two or more of the first spectral components; and

the estimated measures of magnitude or phase for at least some spectral content of a respective segment of the source signal are obtained using the third spectral components and the estimated measures of magnitude or phase for at least some of the spectral content of the respective segment of the source signal are obtained using the first and second spectral components.]

[11. The method according to claim 8 or 10 that comprises obtaining measures of magnitude or phase adaptively using either the third spectral components or using the first and second spectral components.]

[12. The method of claim 1 that comprises adapting the portion of the one or more impulse responses in response to a measure of spectral component significance.]

[13. The method of claim 12, wherein the measure of spectral component significance is provided by a perceptual model that assesses perceptual significance of the spectral content of the source signal.]

[14. The method of claim 12, wherein the measure of spectral component significance reflects isolation in frequency of one or more spectral components.]

[15. The method of claim 1, wherein:

the first spectral components are first transform coefficients arranged in one or more blocks that were generated by application of one or more transforms to one or more segments of the source signal, a respective block having a first number of first transform coefficients;

33

the second spectral components are second transform coefficients;

a second number of second transform coefficients are derived that represent spectral content that is also represented by some of the first transform coefficients in the respective block; and

the second number is less than the first number.]

[16. The method according to claim 1, 2, 9, 10 or 12 that comprises:

applying the adaptive process to the first spectral components to generate synthesized spectral components;

deriving one or more third intermediate components from the first spectral components and/or the second spectral components and from the synthesized spectral components; and

generating one or more output signals conveying content intended for human perception by applying one or more synthesis filterbanks to the one or more third intermediate components.]

[17. The method according to claim 16, wherein at least some of the synthesized spectral components are generated by spectral component regeneration.]

[18. The method according to claim 16, wherein at least some of the synthesized spectral components are generated by decomposition of first spectral components and/or second spectral components representing a composite of spectral content for a plurality of source signals.]

[19. The method according to claim 16, wherein at least some of the synthesized spectral components are generated by combining first spectral components and/or second spectral components to provide a composite representation of spectral content for a plurality of source signals.]

[20. The method according to claim 1, 2, 9, 10 or 12 that comprises:

generating the first spectral components by applying the analysis filter bank to the source signal;

applying the adaptive process to the first spectral component to generate encoded information representing at least some of the first spectral components; and

generating an output signal conveying the encoded information.]

[21. A medium conveying a program of instructions that is executable by a device to perform a method of processing information representing a source signal conveying content intended for human perception, the method comprising:

receiving first spectral components that were generated by application of an analysis filterbank to the source signal, wherein the first spectral components represent spectral content of the source signal expressed in a first subspace of a multidimensional space;

deriving one or more first intermediate components from at least some of the first spectral components, wherein at least some of the first intermediate components differ from the first spectral components from which they are derived;

forming a combination of the one or more first intermediate components according to at least a portion of one or more impulse responses to obtain one or more second intermediate components;

deriving one or more second spectral components from the one or more second intermediate components, wherein the second spectral components represent spectral content of the source signal expressed in a second subspace of the multidimensional space that includes a portion of the multidimensional space not included in the first subspace;

34

obtaining estimated measures of magnitude or phase using the first spectral components and the second spectral components; and

applying an adaptive process to the first spectral components to generate processed information, wherein the adaptive process is responsive to the estimated measures of magnitude or phase.]

[22. The medium of claim 21, wherein:

the first spectral components are transform coefficients arranged in one or more blocks of transform coefficients that were generated by application of one or more transforms to one or more segments of the source signal; and

the portions of the one or more impulse responses are based on frequency response characteristics of the one or more transforms, which are dependent on characteristics of one or more analysis window functions that were applied with the one or more transforms to the one or more segments of the source signal.]

[23. The method according to claim 21, wherein the method further comprises obtaining estimated measures of magnitude or phase using one or more third spectral components that are derived from at least some of the one or more first spectral components.]

[24. The medium according to claim 23, wherein:

the first spectral components are transform coefficients arranged in one or more blocks of transform coefficients that were generated by application of one or more transforms to one or more segments of the source signal;

the third spectral components are derived from a combination of two or more of the first spectral components; and

the estimated measures of magnitude or phase for a respective segment of the source signal are obtained adaptively using either the third spectral components or using the first and second spectral components.]

[25. The medium according to claim 23, wherein:

the first spectral components are transform coefficients arranged in one or more blocks of transform coefficients that were generated by application of one or more transforms to one or more segments of the source signal;

the third spectral components are derived from a combination of two or more of the first spectral components; and

the estimated measures of magnitude or phase for at least some spectral content of a respective segment of the source signal are obtained using the third spectral components and the estimated measures of magnitude or phase for at least some of the spectral content of the respective segment of the source signal are obtained using the first and second spectral components.]

[26. The medium according to claim 23, wherein the method comprises obtaining measures of magnitude or phase adaptively using either the third spectral components or using the first and second spectral components.]

[27. The medium of claim 21, wherein the method comprises adapting the portion of the one or more impulse responses in response to a measure of spectral component significance.]

[28. The medium of claim 27, wherein the measure of spectral component significance is provided by a perceptual model that assesses perceptual significance of the spectral content of the source signal.]

35

[29. The medium of claim 27, wherein the measure of spectral component significance reflects isolation in frequency of one or more spectral components.]

[30. The medium of claim 21, wherein:

the first spectral components are first transform coefficients arranged in one or more blocks that were generated by application of one or more transforms to one or more segments of the source signal, a respective block having a first number of first transform coefficients;

the second spectral components are second transform coefficients;

a second number of second transform coefficients are derived that represent spectral content that is also represented by some of the first transform coefficients in the respective block; and

the second number is less than the first number.]

[31. The medium according to claim 21, wherein the method comprises:

applying the adaptive process to the first spectral components to generate synthesized spectral components; deriving one or more third intermediate components from the first spectral components and/or the second spectral components and from the synthesized spectral components; and

generating one or more output signals conveying content intended for human perception by applying one or more synthesis filterbanks to the one or more third intermediate components.]

[32. The medium according to claim 21, wherein the method comprises:

generating the first spectral components by applying the analysis filter bank to the source signal;

applying the adaptive process to the first spectral component to generate encoded information representing at least some of the first spectral components; and

generating an output signal conveying the encoded information.]

[33. An apparatus for processing information representing a source signal conveying content intended for human perception, the apparatus comprising:

means for receiving first spectral components that were generated by application of an analysis filterbank to the source signal, wherein the first spectral components represent spectral content of the source signal expressed in a first subspace of a multidimensional space;

means for deriving one or more first intermediate components from at least some of the first spectral components, wherein at least some of the first intermediate components differ from the first spectral components from which they are derived;

means for forming a combination of the one or more first intermediate components according to at least a portion of one or more impulse responses to obtain one or more second intermediate components;

means for deriving one or more second spectral components from the one or more second intermediate components, wherein the second spectral components represent spectral content of the source signal expressed in a second subspace of the multidimensional space that includes a portion of the multidimensional space not included in the first subspace;

means for obtaining estimated measures of magnitude or phase using the first spectral components and the second spectral components; and

36

means for applying an adaptive process to the first spectral components to generate processed information, wherein the adaptive process is responsive to the estimated measures of magnitude or phase.]

[34. The apparatus of claim 33, wherein:

the first spectral components are transform coefficients arranged in one or more blocks of transform coefficients that were generated by application of one or more transforms to one or more segments of the source signal; and

the portions of the one or more impulse responses are based on frequency response characteristics of the one or more transforms, which are dependent on characteristics of one or more analysis window functions that were applied with the one or more transforms to the one or more segments of the source signal.]

[35. The apparatus according to claim 33 that further comprises means for obtaining estimated measures of magnitude or phase using one or more third spectral components that are derived from at least some of the one or more first spectral components.]

[36. The apparatus according to claim 35 wherein:

the first spectral components are transform coefficients arranged in one or more blocks of transform coefficients that were generated by application of one or more transforms to one or more segments of the source signal;

the third spectral components are derived from a combination of two or more of the first spectral components; and

the estimated measures of magnitude or phase for a respective segment of the source signal are obtained adaptively using either the third spectral components or using the first and second spectral components.]

[37. The apparatus according to claim 35, wherein:

the first spectral components are transform coefficients arranged in one or more blocks of transform coefficients that were generated by application of one or more transforms to one or more segments of the source signal;

the third spectral components are derived from a combination of two or more of the first spectral components; and

the estimated measures of magnitude or phase for at least some spectral content of a respective segment of the source signal are obtained using the third spectral components and the estimated measures of magnitude or phase for at least some of the spectral content of the respective segment of the source signal are obtained using the first and second spectral components.]

[38. The apparatus according to claim 35 that comprises means for obtaining measures of magnitude or phase adaptively using either the third spectral components or using the first and second spectral components.]

[39. The apparatus of claim 33 that comprises means for adapting the portion of the one or more impulse responses in response to a measure of spectral component significance.]

[40. The apparatus of claim 39, wherein the measure of spectral component significance is provided by a perceptual model that assesses perceptual significance of the spectral content of the source signal.]

[41. The apparatus of claim 39, wherein the measure of spectral component significance reflects isolation in frequency of one or more spectral components.]

[42. The apparatus of claim 33, wherein:

the first spectral components are first transform coefficients arranged in one or more blocks that were gen-

erated by application of one or more transforms to one or more segments of the source signal, a respective block having a first number of first transform coefficients;

the second spectral components are second transform coefficients;

a second number of second transform coefficients are derived that represent spectral content that is also represented by some of the first transform coefficients in the respective block; and

the second number is less than the first number.]

[43. The apparatus according to claim 33 that comprises: means for applying the adaptive process to the first spectral components to generate synthesized spectral components;

means for deriving one or more third intermediate components from the first spectral components and/or the second spectral components and from the synthesized spectral components; and

means for generating one or more output signals conveying content intended for human perception by applying one or more synthesis filterbanks to the one or more third intermediate components.]

[44. The apparatus according to claim 33 that comprises: means for generating the first spectral components by

applying the analysis filter bank to the source signal;

means for applying the adaptive process to the first spectral component to generate encoded information representing at least some of the first spectral components; and

means for generating an output signal conveying the encoded information.]

45. *A method of generating time domain signals from Modified Discrete Cosine Transform (MDCT) coefficients representing signals conveying content intended for human perception, the method comprising:*

estimating Modified Discrete Sine Transform (MDST) coefficients from the MDCT coefficients, wherein the estimating of the MDST coefficients excludes from calculations impulse responses that are known to be zero;

generating spectral components using the MDCT coefficients and the estimated MDST coefficients;

using the generated spectral components to generate the time domain signals;

causing output of the time domain signals;

wherein the method is performed by one or more computing devices.

46. *The method of claim 45, wherein the MDCT coefficients include (a) a first block of MDCT coefficients for a first time window; and (b) a second block of MDCT coefficients for a second time window that is adjacent to the first time window, wherein the MDST coefficients include a first block of MDST coefficient for the first time window, and wherein the first block of MDST coefficients are estimated based at least in part on the first block of MDCT coefficients and the second block of MDCT coefficients.*

47. *The method of claim 46, wherein at least one of the first time window and the second time window represents a sine time window.*

48. *The method of claim 46, wherein at least one of the first time window and the second time window represents a non-sine time window.*

49. *The method of claim 46, wherein the first time window partly overlaps with the second time window.*

50. *The method of claim 46, wherein the first time window is consecutive to the second time window.*

51. *The method of claim 45, wherein the generated spectral components are synthesized from a composite representation.*

52. *The method of claim 45, wherein the generated spectral components are synthesized from a coupled representation.*

53. *The method of claim 45, further comprising using encoder-generated spectral envelope estimation to perform spectral component regeneration.*

54. *An apparatus for generating time domain signals from Modified Discrete Cosine Transform (MDCT) coefficients representing signals conveying content intended for human perception, the apparatus comprising:*

one or more devices;

a non-transitory computer readable medium storing a program of instructions that is executable by the one or more devices to perform a method of for generating time domain signals from spectral components conveying content intended for human perception, the method comprising:

estimating Modified Discrete Sine Transform (MDST) coefficients from the MDCT coefficients, wherein the estimating of the MDST coefficients excludes from calculations impulse responses that are known to be zero;

generating spectral components using the MDCT coefficients and the estimated MDST coefficients;

using the generated spectral components to generate the time domain signals, and causes output of the time domain signals.

55. *The apparatus of claim 54, wherein the MDCT coefficients include (a) a first block of MDCT coefficients for a first time window; and (b) a second block of MDCT coefficients for a second time window that is adjacent to the first time window, wherein the MDST coefficients include a first block of MDST coefficient for the first time window, and wherein the first block of MDST coefficients are estimated based at least in part on the first block of MDCT coefficients and the second block of MDCT coefficients.*

56. *The apparatus of claim 55, wherein at least one of the first time window and the second time window represents one of: a sine time window or a non-sine time window.*

57. *The apparatus of claim 54, wherein the generated spectral components are synthesized from a composite representation.*

58. *The apparatus of claim 54, wherein the generated spectral components are synthesized from a coupled representation.*

59. *The apparatus of claim 54, further comprising using encoder-generated spectral envelope estimation to perform spectral component regeneration.*

60. *A non-transitory computer readable medium storing a program of instructions that is executable by a device to perform a method of generating time domain signals from Modified Discrete Cosine Transform (MDCT) coefficients representing signals conveying content intended for human perception, the method comprising:*

estimating Modified Discrete Sine Transform (MDST) coefficients from the MDCT coefficients, wherein the estimating of the MDST coefficients excludes from calculations impulse responses that are known to be zero;

generating spectral components using the MDCT coefficients and the estimated MDST coefficients;

using the generated spectral components to generate the time domain signals;
causing output of the time domain signals.

61. The medium of claim 60, wherein the MDCT coefficients include (a) a first block of MDCT coefficients for a first time window; and (b) a second block of MDCT coefficients for a second time window that is adjacent to the first time window, wherein the MDST coefficients include a first block of MDST coefficient for the first time window, and wherein the first block of MDST coefficients are estimated based at least in part on the first block of MDCT coefficients and the second block of MDCT coefficients. 5

62. The medium of claim 60, wherein the generated spectral components are synthesized from a composite representation. 10

63. The medium of claim 60, wherein the generated spectral components are synthesized from a coupled representation. 15

64. The medium of claim 60, further comprising using encoder-generated spectral envelope estimation to perform spectral component regeneration.

* * * * *