



US00RE48265E

(19) **United States**
(12) **Reissued Patent**
Chi

(10) **Patent Number:** **US RE48,265 E**
(45) **Date of Reissued Patent:** **Oct. 20, 2020**

- (54) **BUMPER FOR A VEHICLE**
- (71) Applicant: **Razer Auto, Inc.**, Upland, CA (US)
- (72) Inventor: **Samuel Chi**, Upland, CA (US)
- (73) Assignee: **Razer Auto, Inc.**, Upland, CA (US)
- (21) Appl. No.: **29/672,463**
- (22) Filed: **Dec. 5, 2018**

D775,016 S * 12/2016 Reynolds D12/171
 D776,582 S * 1/2017 Bennett D12/169
 D777,618 S * 1/2017 Setina D12/171

(Continued)

OTHER PUBLICATIONS

Single page excerpt from an online catalog showing vehicle bumpers, wherein this online catalog was publicly available at least as early as Oct. 2015.

(Continued)

Primary Examiner — Philip S Hyder
(74) *Attorney, Agent, or Firm* — Eric Kelly

(57) **CLAIM**

What is claimed is the ornamental design for a bumper for a vehicle, as shown and described.

DESCRIPTION

This application is an application for reissue of U.S. Design Pat. No. D. 826,115, which issued on Aug. 21, 2018, from U.S. Design application Ser. No. 29/590,944, filed on Jan. 13, 2017, the contents of which are entirely incorporated by reference herein.

FIG. 1 illustrates a perspective view of a new and ornamental bumper for a vehicle, according to one embodiment; FIG. 2 illustrates a front view thereof; FIG. 3 illustrates a back view thereof; FIG. 4 illustrates a left-side view thereof; FIG. 5 illustrates a right-side view thereof; FIG. 6 illustrates a top view thereof; and, FIG. 7 illustrates a bottom view thereof. Broken lines in the drawings depict portions of the bumper for a vehicle that form no part of the claimed design.

1 Claim, 6 Drawing Sheets

Matter enclosed in heavy brackets [] appears in the original patent but forms no part of this reissue; matter printed in italics indicates the additions made by reissue.

Related U.S. Patent Documents

Reissue of:

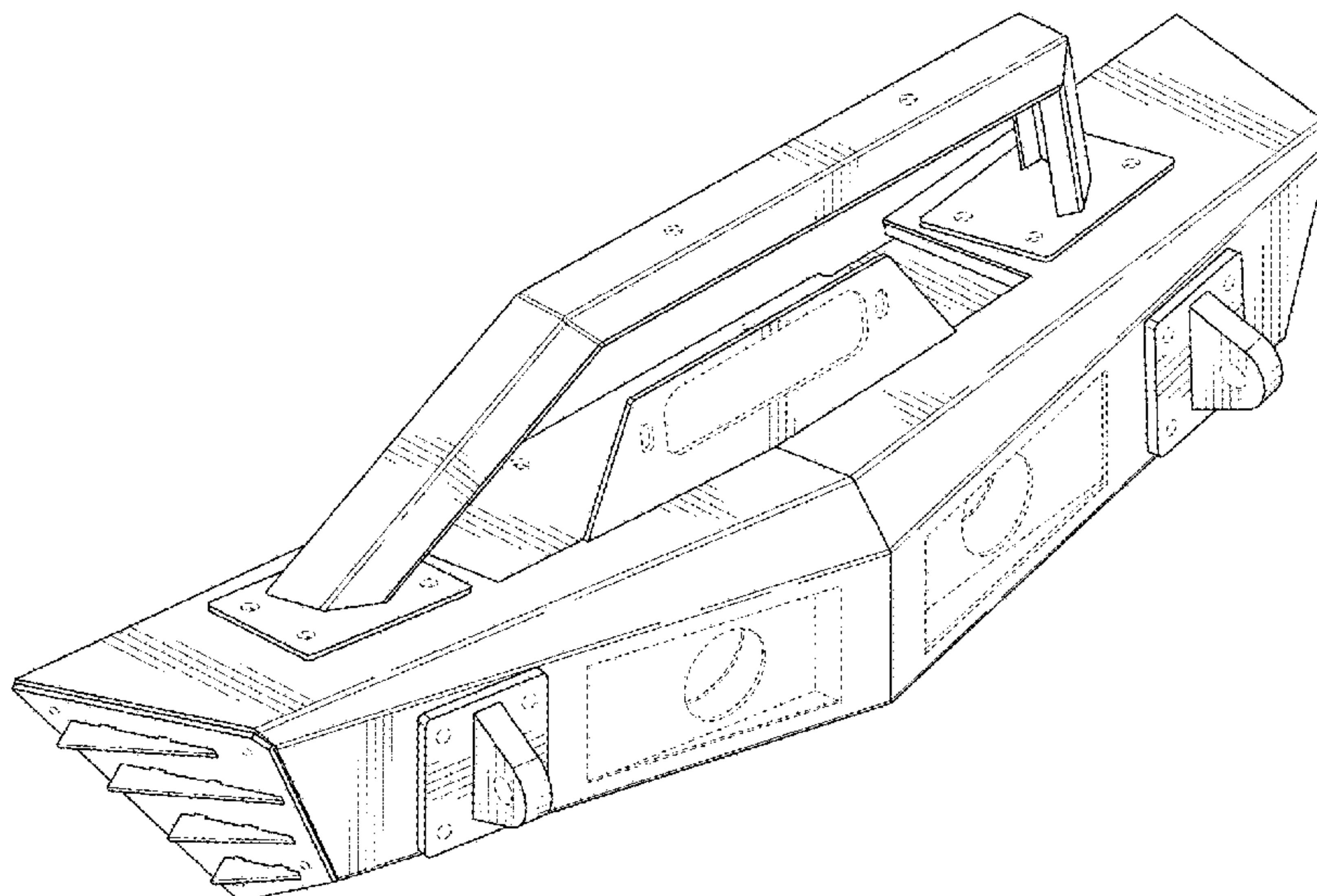
- (64) Patent No.: **Des. 826,115**
 Issued: **Aug. 21, 2018**
 Appl. No.: **29/590,944**
 Filed: **Jan. 13, 2017**

- (51) **LOC (12) Cl.** **12-16**
- (52) **U.S. Cl.**
 USPC **D12/172**
- (58) **Field of Classification Search**
 USPC D12/86, 90, 91, 92, 163, 169, 171, 172,
 D12/196, 216
 CPC B60R 19/02; B60R 19/04; B62D 25/00;
 B62D 25/06; B62D 25/08; B62D 35/00
 See application file for complete search history.

(56) **References Cited**

U.S. PATENT DOCUMENTS

- D697,842 S * 1/2014 Harriton D12/167
- D722,927 S * 2/2015 Schroeder D12/171
- D726,605 S * 4/2015 Schroeder D12/171
- D737,181 S * 8/2015 Smith D12/169
- D741,233 S * 10/2015 Glover D12/169
- D744,384 S * 12/2015 Harriton D12/169
- D744,386 S * 12/2015 Harriton D12/169
- D744,387 S * 12/2015 Harriton D12/169
- D744,388 S * 12/2015 Harriton D12/169
- D749,995 S * 2/2016 Azadi D12/163
- D760,133 S * 6/2016 Bennett D12/171
- D771,537 S * 11/2016 Hare D12/169
- D775,013 S * 12/2016 Bennett D12/169



(56)

References Cited

U.S. PATENT DOCUMENTS

D777,619	S *	1/2017	Barajas	D12/167
D781,193	S *	3/2017	McMath	D12/196
D785,504	S *	5/2017	Higgs	D12/91
D792,817	S *	7/2017	McMath	D12/169
D792,818	S *	7/2017	McMath	D12/169
D793,304	S *	8/2017	McMath	D12/169
D794,519	S *	8/2017	McMath	D12/169
D796,399	S *	9/2017	Steen	D12/169
D800,036	S *	10/2017	Bennett	D12/169
D800,226	S *	10/2017	Zeng	D21/433
D801,892	S *	11/2017	Drever	D12/171
2017/0088076	A1 *	3/2017	Fujimoto	B60R 19/44
2017/0247014	A1 *	8/2017	Farooq	B60R 19/12
2017/0349227	A1 *	12/2017	Spindler	B62D 65/10

OTHER PUBLICATIONS

Photographs of a vehicle bumper (Razer part No. RZKYFB-3309)
that was publicly available at least as early as Aug. 9, 2017.
Photographs of a vehicle bumper (Razer part No. RZKYFB-3520)
that was publicly available at least as early as Jun. 16, 2016.
Photographs of a vehicle bumper (Razer part No. RZKYFB-3528)
that was publicly available at least as early as Oct. 24, 2016.

* cited by examiner

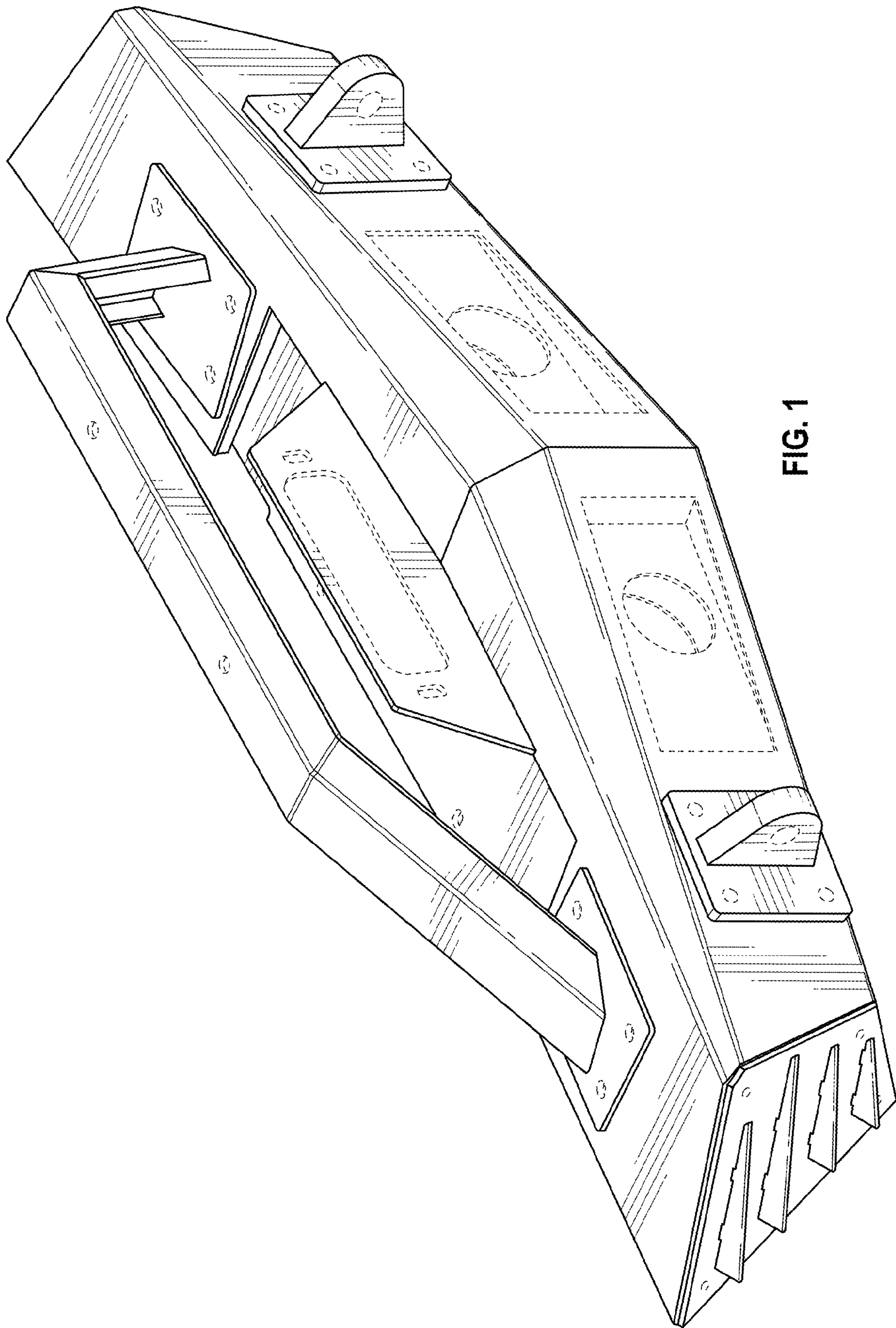


FIG. 1

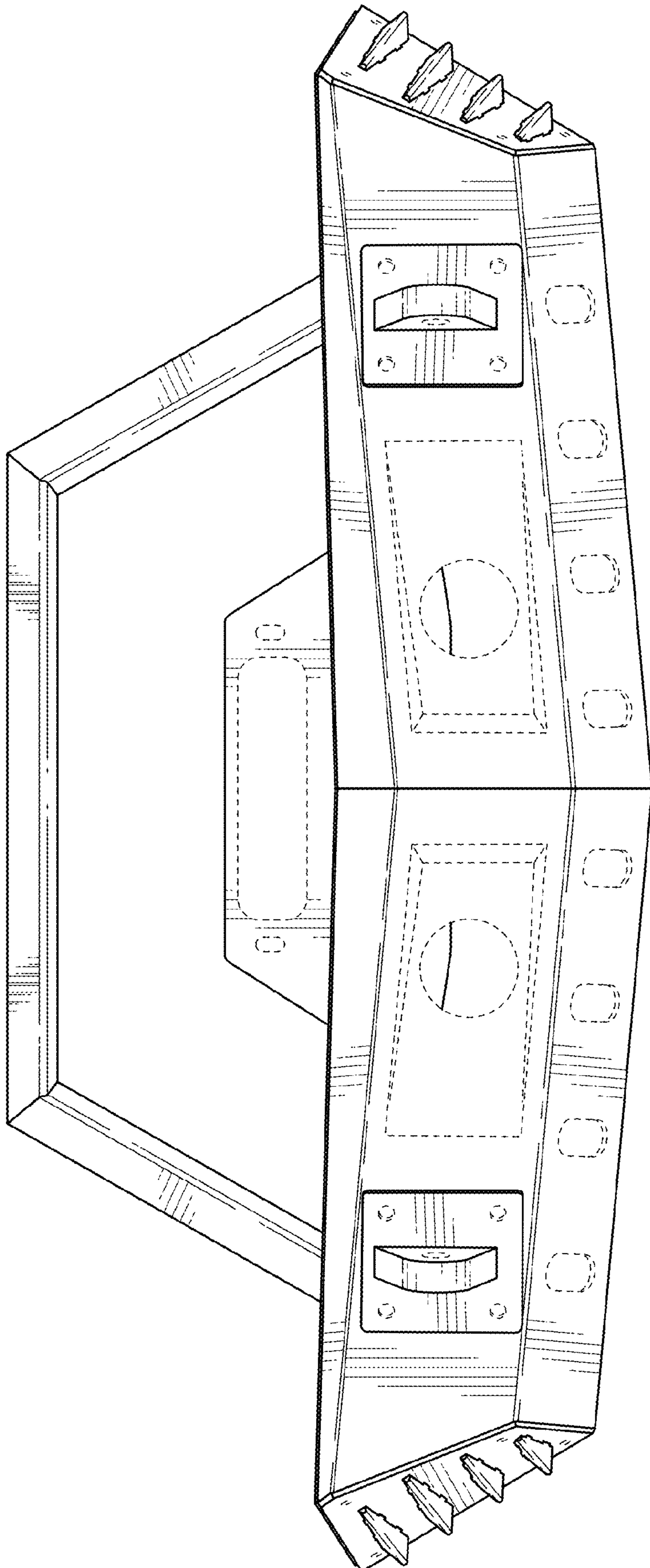


FIG. 2

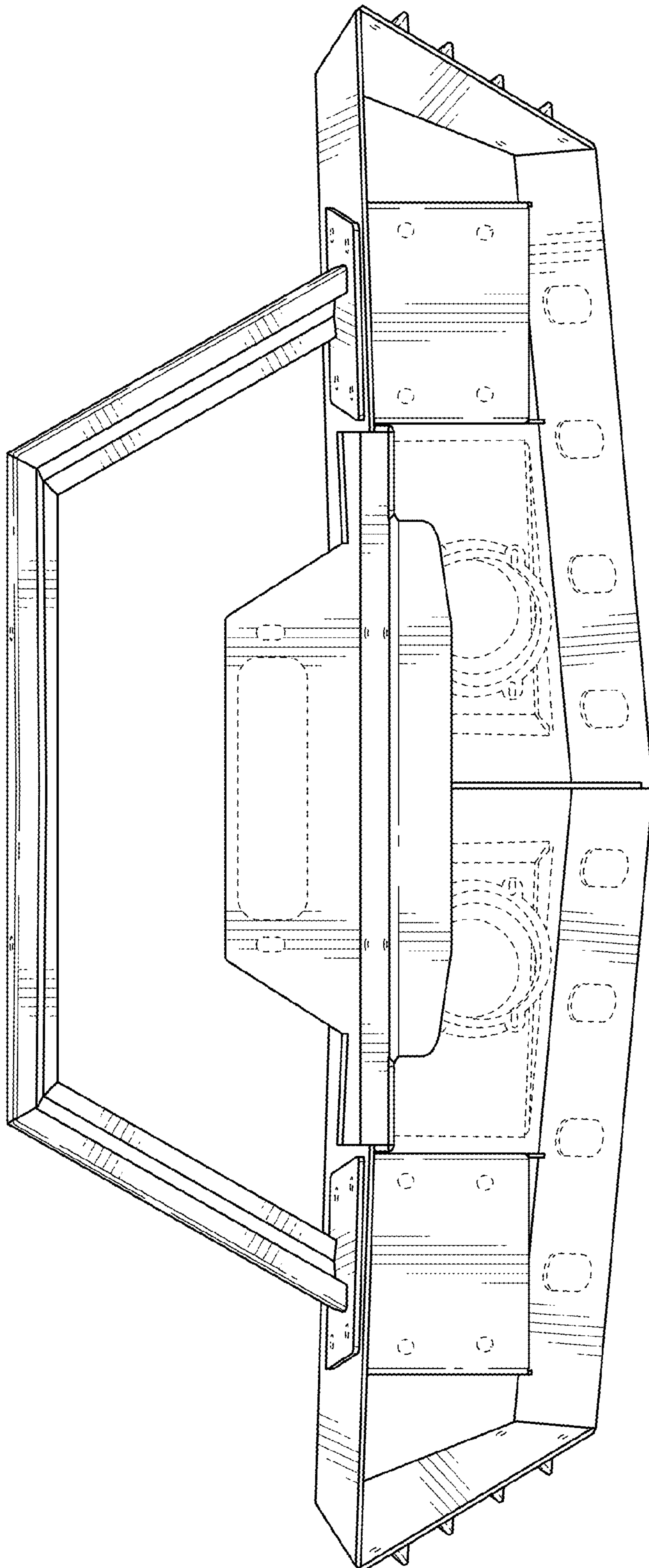


FIG. 3
(Amended)

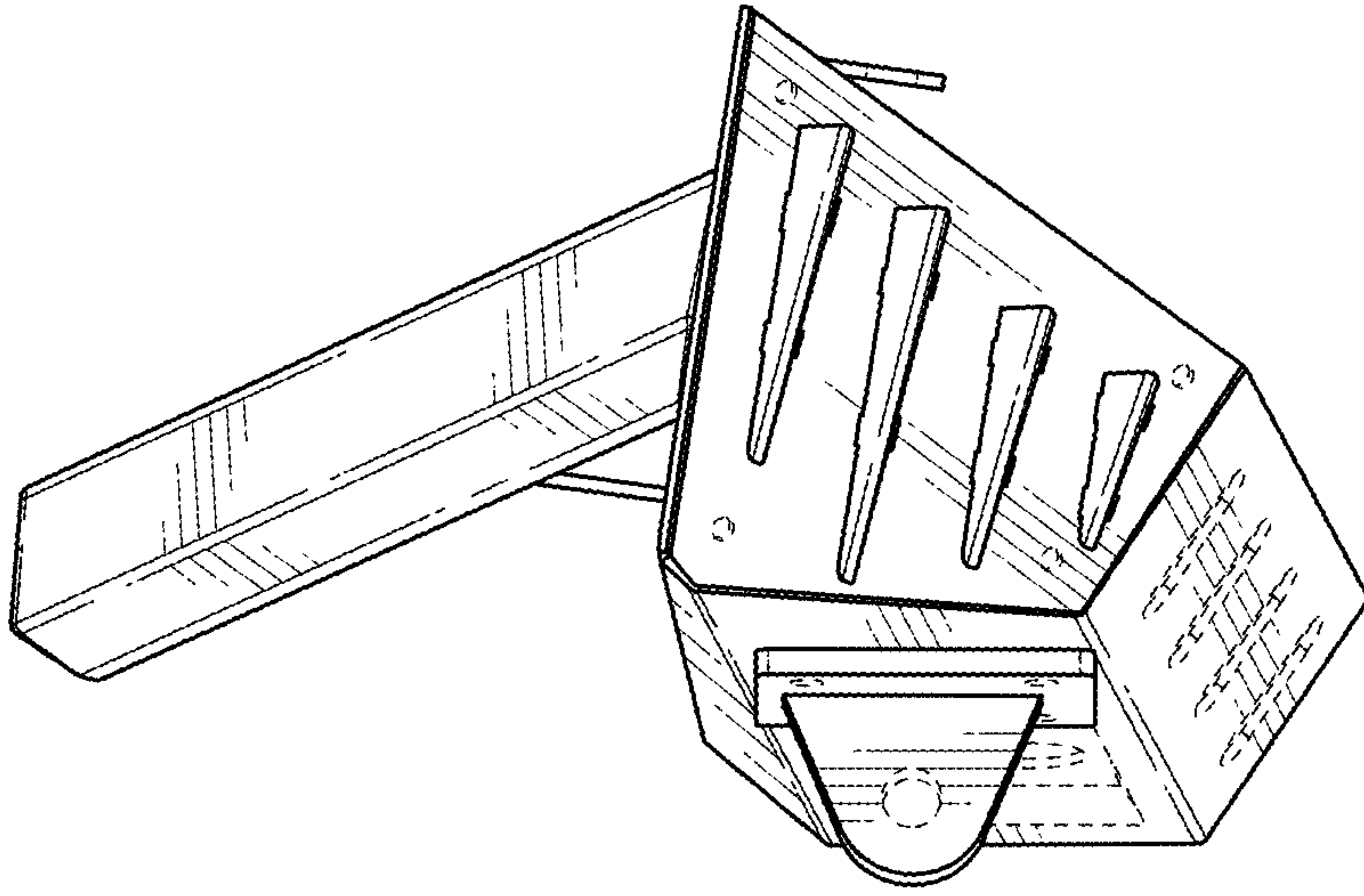


FIG. 5
(Amended)

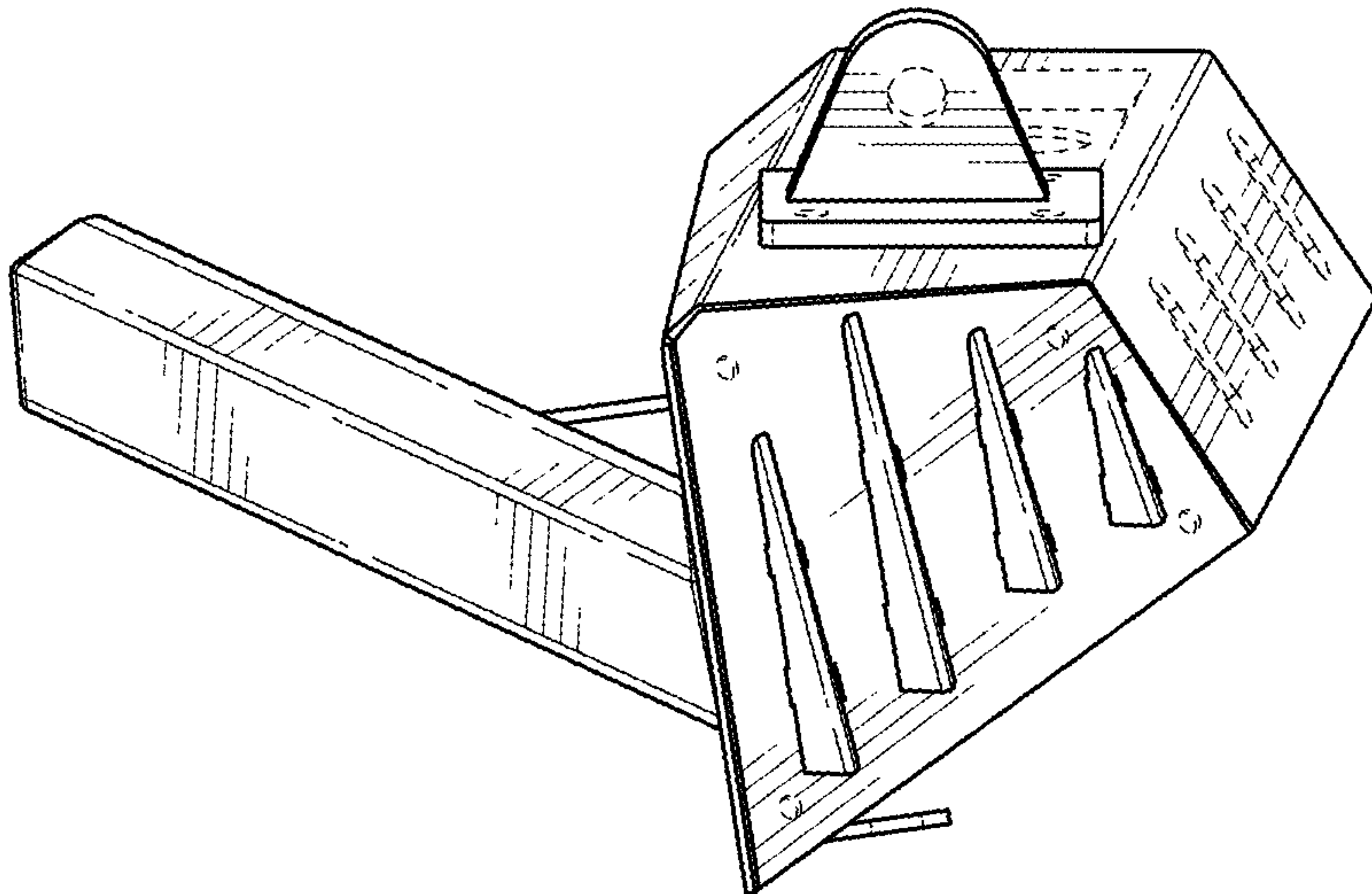


FIG. 4
(Amended)

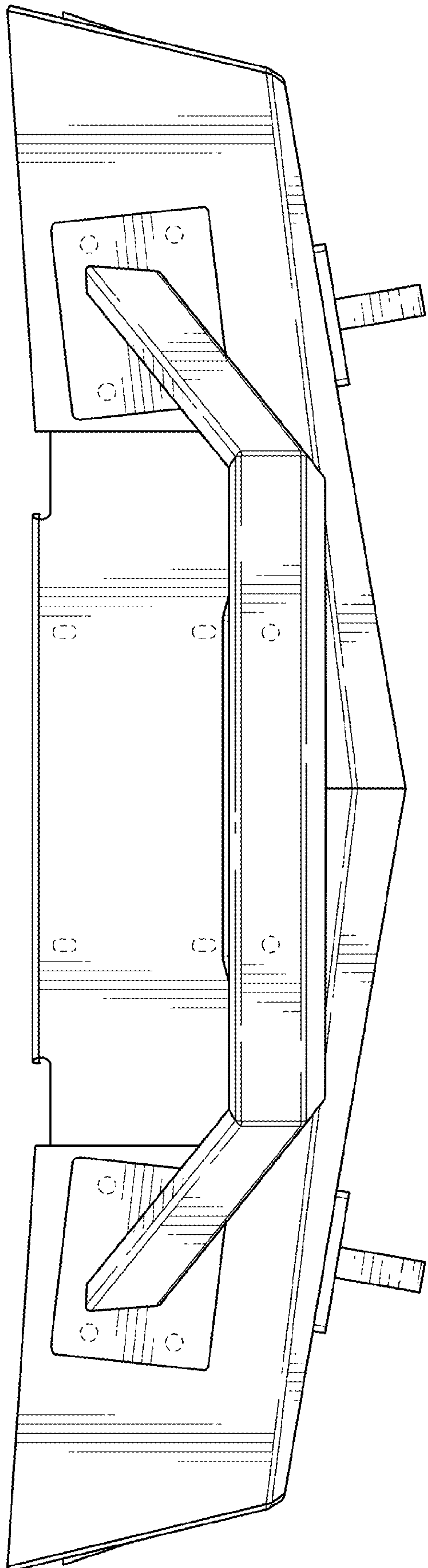


FIG. 6

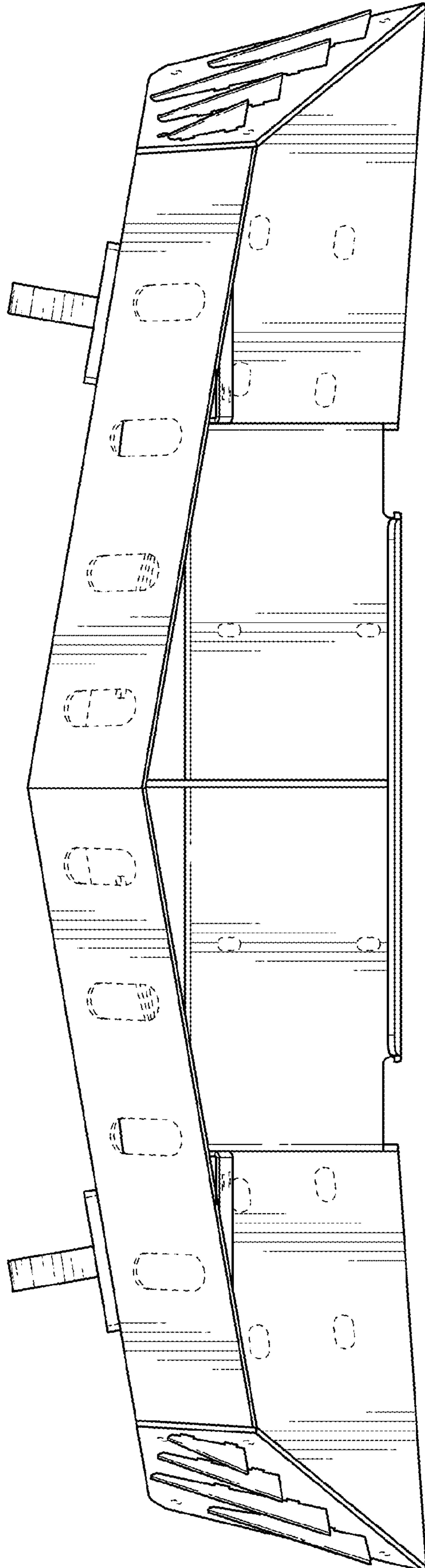


FIG. 7
(Amended)