



US00RE48215E

(19) **United States**
(12) **Reissued Patent**
Neiley

(10) **Patent Number:** **US RE48,215 E**
(45) **Date of Reissued Patent:** **Sep. 22, 2020**

(54) **LACE FIXATION ASSEMBLY AND SYSTEM**
(71) Applicant: **Boa Technology Inc.**, Denver, CO (US)
(72) Inventor: **Roger T. Neiley**, Laguna Beach, CA (US)

117,530 A 8/1871 Foote
228,946 A 6/1880 Schulz
230,759 A 8/1880 Drummond
(Continued)

(73) Assignee: **BOA Technology Inc.**, Denver, CO (US)

FOREIGN PATENT DOCUMENTS

AT 127075 2/1932
AT 244804 1/1966
(Continued)

(21) Appl. No.: **16/130,943**

(22) Filed: **Sep. 13, 2018**

OTHER PUBLICATIONS

Related U.S. Patent Documents

Reissue of:

(64) Patent No.: **9,439,477**
Issued: **Sep. 13, 2016**
Appl. No.: **14/166,799**
Filed: **Jan. 28, 2014**

International Search Report and Written Opinion mailed May 19, 2014 for International Patent Application No. PCT/US2014/013458 filed Jan. 28, 2014, all pages.

(Continued)

U.S. Applications:

(60) Provisional application No. 61/757,692, filed on Jan. 28, 2013.

Primary Examiner — Beverly M Flanagan

(74) *Attorney, Agent, or Firm* — Kilpatrick Townsend & Stockton LLP

(51) **Int. Cl.**
A43C 1/06 (2006.01)
A43C 7/00 (2006.01)

(57) **ABSTRACT**

(52) **U.S. Cl.**
CPC **A43C 7/00** (2013.01); **Y10T 24/2183** (2015.01); **Y10T 24/3703** (2015.01); **Y10T 24/3724** (2015.01)

A lace closure system may include a low friction guide that defines the turning radius and direction of a lace which, though tension, pulls two or more panels toward each other. The lace closure system may include a fixator that defines a slot into which the lace is led, containing multiple engagement surfaces that, when the lace is wrapped into the slot, serve to engage the lace preventing unwanted loosening. The lace closure system may include a ring onto which the lace is attached, to assist in applying manual tension to the lace. The ring may be shaped and sized to removably attach to an outer perimeter of the fixator after excess lace has been wrapped into the slot.

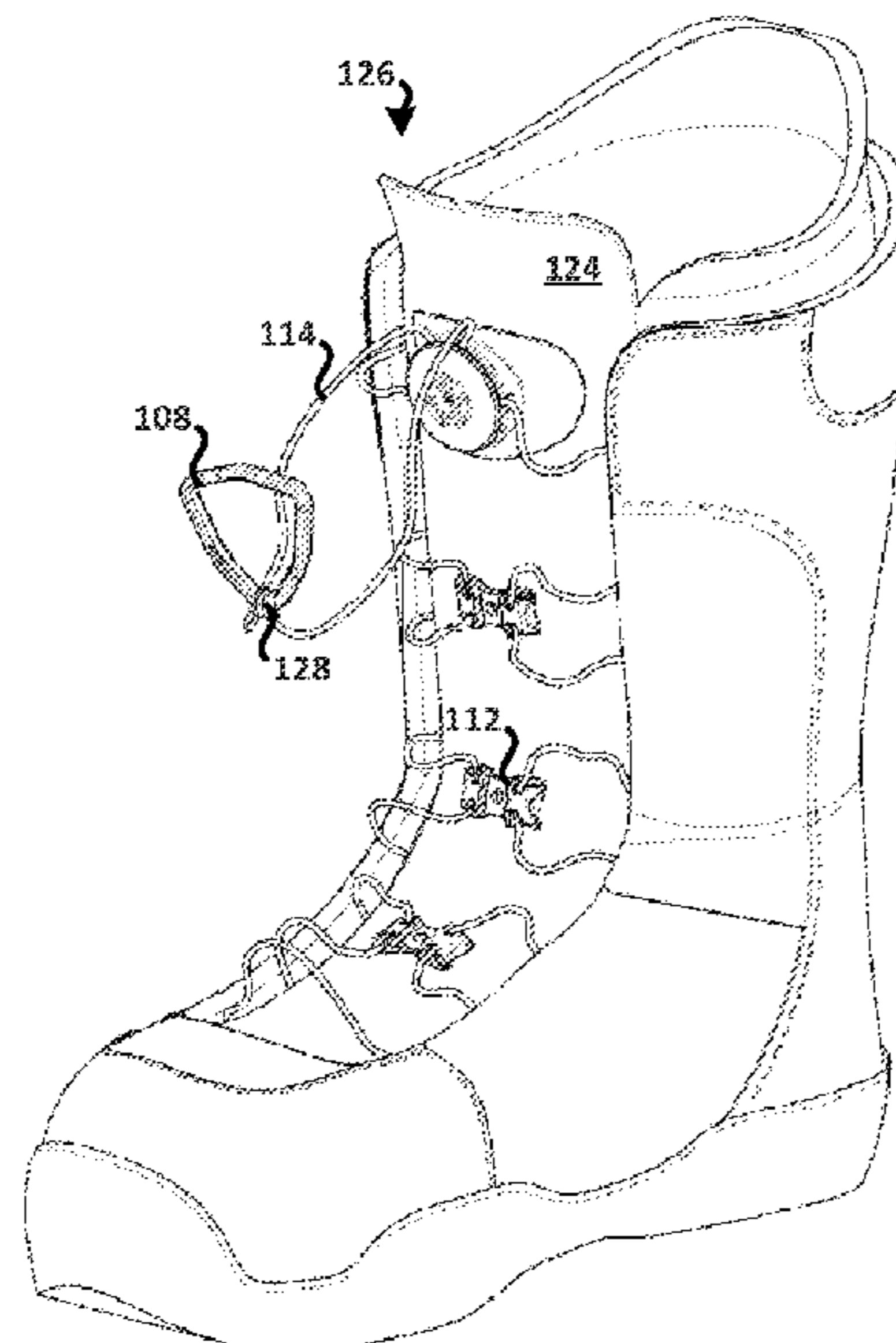
(58) **Field of Classification Search**
CPC **Y10T 24/2183**; **Y10T 24/3703**; **Y10T 24/3724**
USPC **24/713.2**, **714.8**, **712.9**, **68 SK**, **69 SK**
See application file for complete search history.

(56) **References Cited**

U.S. PATENT DOCUMENTS

59,332 A 10/1866 White et al.
80,834 A 8/1868 Prussia

15 Claims, 32 Drawing Sheets



(56)

References Cited

U.S. PATENT DOCUMENTS

379,113 A	3/1888	Hibberd	4,619,057 A	10/1986	Sartor et al.
746,563 A	12/1903	McMahon	4,620,378 A	11/1986	Sartor
819,993 A	5/1906	Haws et al.	4,631,839 A	12/1986	Bonetti et al.
908,704 A	1/1909	Sprinkle	4,631,840 A	12/1986	Gamm
1,170,472 A	2/1916	Barber	4,633,599 A	1/1987	Morell et al.
1,288,859 A	12/1918	Feller et al.	4,644,938 A	2/1987	Yates et al.
1,390,991 A	9/1921	Fotchuk	4,654,985 A	4/1987	Chalmers
1,393,188 A	10/1921	Whiteman	4,660,300 A	4/1987	Morell et al.
1,412,486 A	4/1922	Paine	4,660,302 A	4/1987	Arieh et al.
1,416,203 A	5/1922	Hobson	4,680,878 A	7/1987	Pozzobon et al.
1,429,657 A	9/1922	Trawinski	4,719,670 A	1/1988	Kurt
1,466,673 A	9/1923	Solomon et al.	4,719,709 A	1/1988	Vaccari
1,469,661 A	10/1923	Tosuke	4,719,710 A	1/1988	Pozzobon
1,481,903 A	1/1924	Hart	4,722,477 A	2/1988	Floyd
1,502,919 A	7/1924	Seib	4,741,115 A	5/1988	Pozzobon
1,530,713 A	3/1925	Clark	4,748,726 A	6/1988	Schoch
1,530,047 A	6/1932	Boulet et al.	4,760,653 A	8/1988	Baggio
1,995,243 A	3/1935	Clarke	4,780,969 A	11/1988	White, Jr.
2,088,851 A	8/1937	Gantenbein	4,787,124 A	11/1988	Pozzobon et al.
2,109,751 A	3/1938	Matthias et al.	4,790,081 A	12/1988	Benoit et al.
2,124,310 A	7/1938	Murr, Jr.	4,796,829 A	1/1989	Pozzobon et al.
2,316,102 A	4/1943	Preston	4,799,297 A	1/1989	Baggio et al.
2,539,026 A	1/1951	Mangold	4,802,291 A	2/1989	Sartor
2,611,940 A	9/1952	Cairns	4,811,503 A	3/1989	Iwama
2,636,237 A	4/1953	Price	4,826,098 A	5/1989	Pozzobon et al.
2,673,381 A	3/1954	Dueker	4,841,649 A	6/1989	Baggio et al.
2,907,086 A	10/1959	Ord	4,856,207 A	8/1989	Datson
2,991,523 A	7/1961	Del Conte	4,862,878 A	9/1989	Davison
3,028,602 A	4/1962	Miller	4,870,723 A	10/1989	Pozzobon et al.
3,035,319 A	5/1962	Wolff	4,870,761 A	10/1989	Tracy
3,106,003 A	10/1963	Herdman	4,884,760 A	12/1989	Baggio et al.
3,112,545 A	12/1963	Williams	4,901,938 A	2/1990	Cantley et al.
3,122,810 A	3/1964	Lawrence et al.	4,924,605 A	5/1990	Spademan
3,163,900 A	1/1965	Martin	D308,282 S	6/1990	Bergman et al.
D200,394 S	2/1965	Hakim	4,937,953 A	7/1990	Walkhoff
3,169,325 A	2/1965	Fesl	4,961,544 A	10/1990	Bidoia
3,193,950 A	7/1965	Liou	4,979,953 A	12/1990	Spence
3,197,155 A	7/1965	Chow	4,989,805 A	2/1991	Burke
3,221,384 A	12/1965	Aufenacker	5,001,817 A	3/1991	De Bortoli et al.
3,276,090 A	10/1966	Nigon	5,016,327 A	5/1991	Klausner
D206,146 S	11/1966	Hendershot	5,042,177 A	8/1991	Schoch
3,345,707 A	10/1967	Rita	5,062,225 A	11/1991	Gorza
D210,649 S	4/1968	Getgay	5,065,480 A	11/1991	DeBortoli
3,401,437 A	9/1968	Christophersen	5,065,481 A	11/1991	Walkhoff
3,430,303 A	3/1969	Perrin et al.	5,108,216 A	4/1992	Geyer et al.
3,491,465 A	1/1970	Martin	5,117,567 A	6/1992	Berger
3,545,106 A	12/1970	Martin	5,152,038 A	10/1992	Schoch
3,618,232 A	11/1971	Shnuriwsky	5,157,813 A	10/1992	Carroll
3,668,791 A	6/1972	Salzman et al.	5,158,428 A	10/1992	Gessner et al.
3,678,539 A	7/1972	Graup	5,177,882 A	1/1993	Berger
3,703,775 A	11/1972	Gatti	5,181,331 A	1/1993	Berger
3,729,779 A	5/1973	Porth	5,184,378 A	2/1993	Batra
3,738,027 A	6/1973	Schoch	D333,552 S	3/1993	Berger et al.
3,793,749 A	2/1974	Gertsch et al.	5,205,055 A	4/1993	Harrell
3,808,644 A	5/1974	Schoch	5,233,767 A	8/1993	Kramer
3,934,346 A	1/1976	Sasaki et al.	5,249,377 A	10/1993	Walkhoff
3,975,838 A	8/1976	Martin	5,259,094 A	11/1993	Zepeda
4,084,267 A	4/1978	Zadina	5,315,741 A	5/1994	Dubberke
4,130,949 A	12/1978	Seidel	5,319,868 A	6/1994	Hallenbeck
4,142,307 A	3/1979	Martin	5,319,869 A	6/1994	McDonald et al.
4,227,322 A	10/1980	Annovi	5,325,613 A	7/1994	Sussmann
4,261,081 A	4/1981	Lott	5,327,662 A	7/1994	Hallenbeck
4,267,622 A	5/1981	Burnett-Johnston	5,335,401 A	8/1994	Hanson
4,408,403 A	10/1983	Martin	5,341,583 A	8/1994	Hallenbeck
4,417,703 A	11/1983	Weinhold	5,345,697 A	9/1994	Quellais
4,433,456 A	2/1984	Baggio	5,355,596 A	10/1994	Sussmann
4,463,761 A	8/1984	Pols et al.	5,357,654 A	10/1994	Hsing-Chi
4,480,395 A	11/1984	Schoch	5,371,957 A	12/1994	Gaudio
4,507,878 A	4/1985	Semouha	5,381,609 A	1/1995	Hieblinger
4,516,576 A	5/1985	Kirchner	5,392,535 A	2/1995	Van Noy et al.
4,551,932 A	11/1985	Schoch	D357,576 S	4/1995	Steinweis
4,555,830 A	12/1985	Petrini et al.	5,425,161 A	6/1995	Schoch
4,574,500 A	3/1986	Aldinio et al.	5,425,185 A	6/1995	Gansler
4,616,432 A	10/1986	Bunch et al.	5,430,960 A	7/1995	Richardson
4,616,524 A	10/1986	Bidoia	5,433,648 A	7/1995	Frydman
			5,463,822 A	11/1995	Miller
			5,477,593 A	12/1995	Leick
			D367,755 S	3/1996	Jones
			D367,954 S	3/1996	Dion

(56)

References Cited

U.S. PATENT DOCUMENTS

5,502,902 A	4/1996	Sussmann	6,568,103 B2	5/2003	Durocher
5,511,325 A	4/1996	Hieblinger	6,606,804 B2	8/2003	Kaneko et al.
5,526,585 A	6/1996	Brown et al.	6,694,643 B1	2/2004	Hsu
5,535,531 A	7/1996	Karabed et al.	6,708,376 B1	3/2004	Landry
5,537,763 A	7/1996	Donnadieu et al.	6,711,787 B2	3/2004	Jungkind et al.
5,557,864 A	9/1996	Marks	6,735,829 B2	5/2004	Hsu
5,566,474 A	10/1996	Leick et al.	6,757,991 B2	7/2004	Sussmann
D375,831 S	11/1996	Perry	6,775,928 B2	8/2004	Grande et al.
5,596,820 A	1/1997	Edauw et al.	6,792,702 B2	9/2004	Borsoi et al.
5,599,000 A	2/1997	Bennett	6,802,439 B2	10/2004	Azam et al.
5,599,288 A	2/1997	Shirley et al.	6,823,610 B1	11/2004	Ashley
5,600,874 A	2/1997	Jungkind	6,871,812 B1	3/2005	Chang
5,606,778 A	3/1997	Jungkind	6,877,256 B2	4/2005	Martin et al.
5,607,448 A	3/1997	Stahl et al.	6,899,720 B1	5/2005	McMillan
D379,113 S	5/1997	McDonald et al.	6,922,917 B2	8/2005	Kerns et al.
5,638,588 A	6/1997	Jungkind	6,938,913 B2	9/2005	Elkington
5,640,785 A	6/1997	Egelja	6,945,543 B2	9/2005	De Bortoli et al.
5,647,104 A	7/1997	James	D510,183 S	10/2005	Tresser
5,651,198 A	7/1997	Sussmann	6,976,972 B2	12/2005	Bradshaw
5,669,116 A	9/1997	Jungkind	6,993,859 B2	2/2006	Martin et al.
5,692,319 A	12/1997	Parker et al.	D521,226 S	5/2006	Douglas et al.
5,718,021 A	2/1998	Tatum	7,073,279 B2	7/2006	Min
5,718,065 A	2/1998	Locker	7,076,843 B2	7/2006	Sakabayashi
5,720,084 A	2/1998	Chen	7,082,701 B2	8/2006	Dalgaard et al.
5,732,483 A	3/1998	Cagliari	7,096,559 B2	8/2006	Johnson et al.
5,732,648 A	3/1998	Aragon	7,134,224 B2	11/2006	Elkington et al.
5,736,696 A	4/1998	Del Rosso	7,266,911 B2	9/2007	Holzer et al.
5,737,854 A	4/1998	Sussmann	7,281,341 B2	10/2007	Reagan et al.
5,755,044 A	5/1998	Veylupek	7,293,373 B2	11/2007	Reagan et al.
5,756,298 A	5/1998	Burczak	7,331,126 B2	2/2008	Johnson
5,761,777 A	6/1998	Leick	7,343,701 B2	3/2008	Pare et al.
5,772,146 A	6/1998	Kawamoto et al.	7,367,522 B2	5/2008	Chen
5,784,809 A	7/1998	McDonald	7,386,947 B2	6/2008	Martin et al.
5,791,068 A	8/1998	Bernier et al.	7,392,602 B2	7/2008	Reagan et al.
5,819,378 A	10/1998	Doyle	7,401,423 B2	7/2008	Reagan et al.
5,833,640 A	11/1998	Vazquez, Jr. et al.	7,490,458 B2	2/2009	Ford
5,839,210 A	11/1998	Bernier et al.	7,568,298 B2	8/2009	Kerns
5,845,371 A	12/1998	Chen	7,582,102 B2	9/2009	Heinz et al.
5,909,946 A	6/1999	Okajima	7,584,528 B2	9/2009	Hu
D413,197 S	8/1999	Faye	7,591,050 B2	9/2009	Hammerslag
5,934,599 A	8/1999	Hammerslag	7,597,675 B2	10/2009	Ingimundarson et al.
5,937,542 A	8/1999	Bourdeau	7,600,660 B2	10/2009	Kasper et al.
5,956,823 A	9/1999	Borel	7,617,573 B2	11/2009	Chen
5,971,946 A	10/1999	Quinn et al.	7,624,517 B2	12/2009	Smith
6,015,110 A	1/2000	Lai	7,648,404 B1	1/2010	Martin
6,038,791 A	3/2000	Cornelius et al.	7,650,705 B2	1/2010	Donnadieu et al.
6,052,921 A	4/2000	Oreck	7,694,354 B2	4/2010	Philpott et al.
6,070,886 A	6/2000	Cornelius et al.	7,752,774 B2	7/2010	Ussher
6,070,887 A	6/2000	Cornelius et al.	7,757,412 B2	7/2010	Farys
6,083,857 A	7/2000	Bottger et al.	7,774,956 B2	8/2010	Dua et al.
6,088,936 A	7/2000	Bahl	D626,322 S	11/2010	Servettaz
6,102,412 A	8/2000	Staffaroni	7,841,106 B2	11/2010	Farys
D430,724 S	9/2000	Matis et al.	7,871,334 B2	1/2011	Young et al.
6,119,318 A	9/2000	Maurer	7,877,845 B2	2/2011	Signori
6,119,372 A	9/2000	Okajima	7,900,378 B1	3/2011	Busse
6,128,835 A	10/2000	Ritter et al.	7,908,769 B2	3/2011	Pellegrini
6,128,836 A	10/2000	Barret	7,947,061 B1	5/2011	Reis
6,148,489 A	11/2000	Dickie et al.	7,950,112 B2	5/2011	Hammerslag et al.
6,202,953 B1	3/2001	Hammerslag	7,954,204 B2	6/2011	Hammerslag et al.
6,219,891 B1	4/2001	Maurer et al.	7,963,049 B2	6/2011	Messmer
6,240,657 B1	6/2001	Weber et al.	7,992,261 B2	8/2011	Hammerslag et al.
6,256,798 B1	7/2001	Egolf et al.	D646,790 S	10/2011	Castillo et al.
6,267,390 B1	7/2001	Maravetz et al.	8,056,150 B2	11/2011	Stokes et al.
6,286,233 B1	9/2001	Gaither	8,074,379 B2	12/2011	Robinson, Jr. et al.
6,289,558 B1	9/2001	Hammerslag	8,091,182 B2	1/2012	Hammerslag et al.
6,311,633 B1	11/2001	Keire	8,109,015 B2	2/2012	Signori
D456,130 S	4/2002	Towns	D663,850 S	7/2012	Joseph
6,370,743 B2	4/2002	Choe	D663,851 S	7/2012	Joseph
6,401,364 B1	6/2002	Burt	8,215,033 B2	7/2012	Carboy et al.
6,416,074 B1	7/2002	Maravetz et al.	8,231,074 B2	7/2012	Hu et al.
6,467,195 B2	10/2002	Pierre et al.	D665,088 S	8/2012	Joseph
6,477,793 B1	11/2002	Pruitt et al.	8,235,321 B2	8/2012	Chen
6,502,286 B1 *	1/2003	Dubberke A43C 7/00 24/712.1	8,245,371 B2	8/2012	Chen
6,543,159 B1	4/2003	Carpenter et al.	8,257,293 B2	9/2012	Ingimundarson et al.
			8,266,827 B2	9/2012	Dojan et al.
			8,277,401 B2	10/2012	Hammerslag et al.
			8,302,329 B2	11/2012	Hurd et al.
			8,303,527 B2	11/2012	Joseph
			8,308,098 B2	11/2012	Chen

(56)

References Cited

U.S. PATENT DOCUMENTS

8,353,087 B2 1/2013 Chen
 8,353,088 B2 1/2013 Ha
 D677,045 S 3/2013 Voskuil
 D679,019 S 3/2013 Siddle et al.
 1,060,422 A1 4/2013 Bowdish
 1,062,511 A1 5/2013 Short
 8,434,200 B2 5/2013 Chen
 8,490,299 B2 7/2013 Dua et al.
 8,516,662 B2 8/2013 Goodman et al.
 8,578,632 B2 11/2013 Bell et al.
 1,083,775 A1 1/2014 Thomas
 8,652,164 B1 2/2014 Aston
 1,090,438 A1 3/2014 Worth et al.
 8,713,820 B2 5/2014 Kerns et al.
 8,984,719 B2 3/2015 Soderberg et al.
 9,072,341 B2 7/2015 Jungkind
 D735,987 S 8/2015 Hsu
 9,101,181 B2 8/2015 Soderberg et al.
 9,125,455 B2 9/2015 Kerns et al.
 9,138,030 B2 9/2015 Soderberg et al.
 2002/0050076 A1 5/2002 Borsoi et al.
 2002/0062579 A1 5/2002 Caeran
 2002/0095750 A1 7/2002 Hammerslag
 2002/0129518 A1 9/2002 Borsoi et al.
 2002/0148142 A1 10/2002 Oorei et al.
 2002/0166260 A1 11/2002 Borsoi
 2002/0178548 A1 12/2002 Freed
 2003/0079376 A1 5/2003 Oorei et al.
 2003/0144620 A1 7/2003 Sieller
 2003/0150135 A1 8/2003 Liu
 2003/0177662 A1 9/2003 Elkington et al.
 2003/0204938 A1 11/2003 Hammerslag
 2004/0041452 A1 3/2004 Williams
 2004/0211039 A1 10/2004 Livingston
 2005/0054962 A1 3/2005 Bradshaw
 2005/0060912 A1 3/2005 Holzer et al.
 2005/0081339 A1 4/2005 Sakabayashi
 2005/0081403 A1 4/2005 Mathieu
 2005/0087115 A1 4/2005 Martin
 2005/0098673 A1 5/2005 Huang
 2005/0102861 A1 5/2005 Martin
 2005/0126043 A1 6/2005 Reagan et al.
 2005/0172463 A1 8/2005 Rolla
 2005/0184186 A1 8/2005 Tsoi et al.
 2005/0198866 A1 9/2005 Wiper et al.
 2006/0135901 A1 6/2006 Ingimundarson et al.
 2006/0156517 A1 7/2006 Hammerslag et al.
 2006/0179685 A1 8/2006 Borel et al.
 2006/0185193 A1 8/2006 Pellegrini
 2006/0287627 A1 12/2006 Johnson
 2007/0006489 A1 1/2007 Case, Jr. et al.
 2007/0063459 A1 3/2007 Kavarsky
 2007/0068040 A1 3/2007 Farys
 2007/0084956 A1 4/2007 Chen
 2007/0113524 A1 5/2007 Lander
 2007/0128959 A1 6/2007 Cooke
 2007/0169378 A1 7/2007 Sodeberg et al.
 2008/0016717 A1 1/2008 Ruban
 2008/0060167 A1 3/2008 Hammerslag et al.
 2008/0060168 A1 3/2008 Hammerslag et al.
 2008/0066272 A1 3/2008 Hammerslag et al.
 2008/0066345 A1 3/2008 Hammerslag et al.
 2008/0066346 A1 3/2008 Hammerslag et al.
 2008/0068204 A1 3/2008 Carmen et al.
 2008/0083135 A1 4/2008 Hammerslag et al.
 2008/0092279 A1 4/2008 Chiang
 2008/0172848 A1 7/2008 Chen
 2008/0196224 A1 8/2008 Hu A43C 11/16
 2009/0019734 A1* 1/2009 Reagan A43B 3/0031
 2009/0071041 A1 3/2009 Hooper
 2009/0090029 A1 4/2009 Kishino
 2009/0172928 A1 7/2009 Messmer et al.
 2009/0184189 A1 7/2009 Soderberg et al.

2009/0272007 A1 11/2009 Beers et al.
 2009/0277043 A1 11/2009 Graser et al.
 2010/0064547 A1 3/2010 Kaplan
 2010/0101061 A1 4/2010 Ha
 2010/0139057 A1 6/2010 Soderberg et al.
 2010/0154254 A1 6/2010 Fletcher
 2010/0175163 A1 7/2010 Litke
 2010/0251524 A1 10/2010 Chen
 2010/0299959 A1 12/2010 Hammerslag
 2010/0319216 A1 12/2010 Grenzke et al.
 2011/0000173 A1 1/2011 Lander
 2011/0071647 A1 3/2011 Mahon
 2011/0162236 A1 7/2011 Voskuil et al.
 2011/0167543 A1 7/2011 Kovacevich et al.
 2011/0191992 A1 8/2011 Chen
 2011/0197362 A1 8/2011 Chella et al.
 2011/0225843 A1 9/2011 Kerns et al.
 2011/0258876 A1 10/2011 Baker et al.
 2011/0266384 A1 11/2011 Goodman et al.
 2012/0000091 A1 1/2012 Cotterman et al.
 2012/0004587 A1 1/2012 Nickel et al.
 2012/0005995 A1 1/2012 Emery
 2012/0023717 A1 2/2012 Chen
 2012/0101417 A1 4/2012 Joseph
 2012/0102783 A1 5/2012 Swigart et al.
 2012/0138882 A1 6/2012 Moore et al.
 2012/0157902 A1 6/2012 Castillo et al.
 2012/0167290 A1 7/2012 Kovacevich et al.
 2012/0174437 A1 7/2012 Heard
 2012/0228419 A1 9/2012 Chen
 2012/0246974 A1 10/2012 Hammerslag et al.
 2012/0310273 A1 12/2012 Thorpe
 2013/0012856 A1 1/2013 Hammerslag et al.
 2013/0014359 A1 1/2013 Chen
 2013/0019501 A1 1/2013 Gerber
 2013/0091667 A1 4/2013 Zerfas et al.
 2013/0092780 A1 4/2013 Soderberg et al.
 2013/0269219 A1 10/2013 Burns et al.
 2013/0277485 A1 10/2013 Soderberg et al.
 2013/0340283 A1 12/2013 Bell et al.
 2013/0345612 A1 12/2013 Bannister et al.
 2014/0082963 A1 3/2014 Beers
 2014/0094728 A1 4/2014 Soderberg et al.
 2014/0117140 A1 5/2014 Goodman et al.
 2014/0123440 A1 5/2014 Capra et al.
 2014/0123449 A1 5/2014 Soderberg et al.
 2014/0208550 A1 7/2014 Neiley
 2014/0221889 A1 8/2014 Burns et al.
 2014/0290016 A1 10/2014 Lovett et al.
 2014/0359981 A1 12/2014 Cotterman et al.
 2015/0007422 A1 1/2015 Cavanagh et al.
 2015/0014463 A1 1/2015 Converse et al.
 2015/0026936 A1 1/2015 Kerns et al.
 2015/0033519 A1 2/2015 Hammerslag et al.
 2015/0059206 A1 3/2015 Lovett et al.
 2015/0076272 A1 3/2015 Trudel et al.
 2015/0089779 A1 4/2015 Lawrence et al.
 2015/0089835 A1 4/2015 Hammerslag et al.
 2015/0101160 A1 4/2015 Soderberg et al.
 2015/0150705 A1 6/2015 Capra et al.
 2015/0151070 A1 6/2015 Capra et al.
 2015/0190262 A1 7/2015 Capra et al.
 2015/0223608 A1 8/2015 Capra et al.
 2015/0237962 A1 8/2015 Soderberg et al.
 2015/0335458 A1 11/2015 Romo

FOREIGN PATENT DOCUMENTS

AT 361808 4/1981
 CA 2114387 1/1994
 CA 2112789 8/1994
 CH 41765 9/1907
 CH 111341 11/1925
 CH 199766 11/1938
 CH 204 834 A 8/1939
 CH 523 669 7/1972
 CH 562 015 5/1975
 CH 577 282 7/1976
 CH 612 076 7/1979

(56)

References Cited

FOREIGN PATENT DOCUMENTS

CH	624 001	7/1981
CN	2613167	4/2004
CN	201015448	2/2008
DE	555211	7/1932
DE	641976	2/1937
DE	7043154	11/1970
DE	1 785 220	5/1971
DE	2 062 795	6/1972
DE	23 41 658	3/1974
DE	24 14 439	10/1975
DE	29 00 077 A1	7/1980
DE	2914280 A1	10/1980
DE	31 01 952 A1	9/1982
DE	36 26 837	2/1988
DE	38 13 470	11/1989
DE	3822113 C2	1/1990
DE	9413147	6/1994
DE	43 02 401 A1	8/1994
DE	43 05 671	9/1994
DE	9308037	10/1994
DE	43 24 049	2/1995
DE	9315776	2/1995
DE	196 24 553	1/1998
DE	19700309 A1	7/1998
DE	19945045 A1	3/2001
DE	201 16 755 U1	1/2002
DE	20 2010 000 354 U1	6/2010
DE	11 2013 005 273 T5	9/2015
EP	0 056 953	8/1982
EP	0079874 A1	5/1983
EP	0 099 504	2/1984
EP	0 123 050	2/1984
EP	0 155 596	9/1985
EP	0 201 051	11/1986
EP	0 255 869	7/1987
EP	0 393 380	3/1990
EP	0 589 232	3/1994
EP	0 589 233 A1	3/1994
EP	0 614 625 A1	9/1994
EP	0 651 954 A1	5/1995
EP	0 679 346	11/1995
EP	0 693 260 B1	1/1996
EP	0 717 942	6/1996
EP	0 734 662 A1	10/1996
EP	0 848 917	6/1998
EP	0 923 965	6/1999
EP	0 937 467	8/1999
EP	1163860	12/2001
EP	1 219 195	7/2002
EP	1 236 412 A	9/2002
EP	2298107 B1	3/2011
EP	2359708	8/2011
FR	1 349 832	3/1963
FR	1 404 799	7/1965
FR	2 019 991 A	7/1970
FR	2 108 428	9/1971
FR	2 175 684	3/1972
FR	2.108.429	5/1972
FR	2 565 795	6/1984
FR	2 598 292 A1	11/1987
FR	2 726 440 A1	5/1996
FR	2 770 379 A1	5/1999
FR	2 814 919 A1	4/2002
GB	189911673	0/1899
GB	216400	8/1923
GB	2 449 722 A	12/2008
IT	1220811 B	6/1990
IT	PD 2003 A 000197	4/2003
IT	PD 2003 A 000198	4/2003
JP	49-28618	3/1974
JP	51-2776	1/1976
JP	51-121375	10/1976
JP	51-131078	10/1976
JP	53-124987	3/1977
JP	54-108125	2/1978

JP	62-57346	4/1987
JP	63-80736	5/1988
JP	H02-236025	9/1990
JP	7-000208	6/1995
JP	6-284906	2/1996
JP	3031760	9/1996
JP	3030988	11/1996
JP	8308608	11/1996
JP	10-199366	7/1998
JP	2004-016732	1/2004
JP	2004-041666	2/2004
JP	2009-504210	2/2009
KR	20-0367882	11/2004
KR	20-0400568	8/2005
KR	10-0598627	7/2006
KR	10-0953398	4/2010
KR	10-1025134 B1	3/2011
KR	10-1028468	4/2011
KR	10-1053551	7/2011
WO	WO 94/27456	12/1994
WO	WO 95/03720	2/1995
WO	WO 95/11602	5/1995
WO	WO 98/33408	8/1998
WO	WO 98/37782	9/1998
WO	WO 99/09850	3/1999
WO	WO 99/15043	4/1999
WO	WO 99/43231	9/1999
WO	WO00/53045	9/2000
WO	WO 00/53045	9/2000
WO	WO 00/76337 A1	12/2000
WO	WO 01/08525	2/2001
WO	WO 01/15559	3/2001
WO	WO02/051511	7/2002
WO	WO 2004/093569	11/2004
WO	WO 2005/013748 A1	2/2005
WO	WO 2007/016983	2/2007
WO	WO-2007016983 A1 *	2/2007 A43C 11/16
WO	WO 2008/015214	2/2008
WO	WO 2008/033963	3/2008
WO	WO 2009/134858	11/2009
WO	WO 2010/059989 A2	5/2010
WO	WO 2012/165803 A2	12/2012
WO	WO/2015/035885	3/2015
WO	WO 2015/179332 A1	11/2015
WO	WO 2015/181928 A1	12/2015

OTHER PUBLICATIONS

U.S. Appl. No. 09/956,987, filed Sep. 18, 2001, Hammerslag, Including its prosecution history.
 "Strength of materials used to make my Safety Harnesses," Elaine, Inc. Jul. 9, 2012. Retrieved from <https://web.archive.org/web/201207090002720/http://www.childharness.ca/strength_data.html> on Mar. 17, 2014, 2 pages.
 International Search Report and Written Opinion for PCT/US2013/032326 mailed Jun. 14, 2013, 27 pages.
 International Preliminary Report on Patentability for PCT/US2013/032326 issued Sep. 16, 2014, 6 pages.
 International Search Report and Written Opinion for PCT/US2013/057637 mailed Apr. 7, 2014, 34 pages.
 International Preliminary Report on Patentability for PCT/US2013/057637 issued Mar. 3, 2015, 9 pages.
 International Search Report and Written Opinion for PCT/US2013/068342 mailed Apr. 7, 2014, 29 pages.
 International Preliminary Report on Patentability for PCT/US2013/068342 issued May 5, 2015, 9 pages.
 International Search Report and Written Opinion for PCT/US2014/014952 mailed Apr. 25, 2014, 17 pages.
 International Preliminary Report on Patentability for PCT/US2014/014952 issued Aug. 11, 2015, 9 pages.
 International Search Report and Written Opinion for PCT/US2014/066212 mailed Apr. 22, 2015, 16 pages.
 International Search Report and Written Opinion for PCT/US2014/032574 mailed Oct. 31, 2014, 19 pages.
 International Search Report and Written Opinion for PCT/US2014/045291 mailed Nov. 6, 2014, 12 pages.

(56)

References Cited

OTHER PUBLICATIONS

International Search Report and Written Opinion for PCT/US2014/013458 mailed May 19, 2014, 12 pages.

International Preliminary Report on Patentability for PCT/US2014/013458 issued Jul. 28, 2015, 7 pages.

International Search Report and Written Opinion for PCT/US2013/068814 mailed Jun. 9, 2014, 18 pages.

International Preliminary Report on Patentability for PCT/US2013/068814 issued May 12, 2015, 12 pages.

Notice of Reasons for Rejection from the Japanese Patent Office dated Feb. 26, 2015 for design application No. 2014-015570, 4 pages.

Receipt of Certificate of Design Registration No. 1529678 from the Japanese Patent Office for design application No. 2014-015570 dated Jun. 26, 2015, 1 page.

International Search Report and Written Opinion for PCT/US2014/055710 mailed Jul. 6, 2015, 19 pages.

International Search Report and Written Opinion for PCT/US2014/054420 mailed Jul. 6, 2015, 21 pages.

The Preliminary Rejections from the Korean Intellectual Property Office for Application No. 30-2014-34959 received Aug. 7, 2015, is not translated into English. The document requests a renaming of the application to be in accordance with Korean patent law, 5 pages total.

The Preliminary Rejections from the Korean Intellectual Property Office for Application No. 30-2014-34959 received Apr. 7, 2015, is not translated into English. The document requests a revision of the drawings to be in accordance with Korean patent law, 6 pages total.

Office Action received Oct. 8, 2015 from the German Patent and Trademark Office for Appln No. 402015100191.2, regarding the title of the invention, 2 pages.

Notice of Reasons for Rejection from the Japanese Patent Office dated Oct. 5, 2015 for design application No. 2015-004923, 4 pages.

International Search Report and Written Opinion for PCT/US2014/046238 mailed Nov. 21, 2014, 17 pages.

International Search Report and Written Opinion for PCT/US2014/020894 mailed Jun. 20, 2014, 12 pages.

International Search Report and Written Opinion for PCT/US2014/041144 mailed Dec. 10, 2014, 13 pages.

“Save Tourniquet,” 3 pages. Copyright 2015. Accessed on Dec. 11, 2015. Retrieved from <http://www.savetourniquet.com/>.

Certificate of Design Registration No. 30-809409 on Aug. 3, 2015 from the Korean Intellectual Property Office for Appln No. 30-2015-11475, 2 pages.

Certificate of Design Registration No. 30-809410 on Aug. 3, 2015 from the Korean Intellectual Property Office for Appln No. 30-2015-11476, 2 pages.

European Search Report for EP 14168875 mailed Oct. 29, 2014, 9 pages.

Anonymous, “Shore durometer,” Wikipedia, the free encyclopedia, Mar. 10, 2012, XP002747470, Retrieved from the Internet: URL: https://en.wikipedia.org/w/index.php?title=Shore_durometer&oldid=481128180 [retrieved on Oct. 20, 2015]* shore A, shore D, durometer, polymer, rubber, gel; the whole document *, 6 pages.

Asolo® Boot Brochure Catalog upon information and belief date is as early as Aug. 22, 1997, 12 pages.

* cited by examiner

100

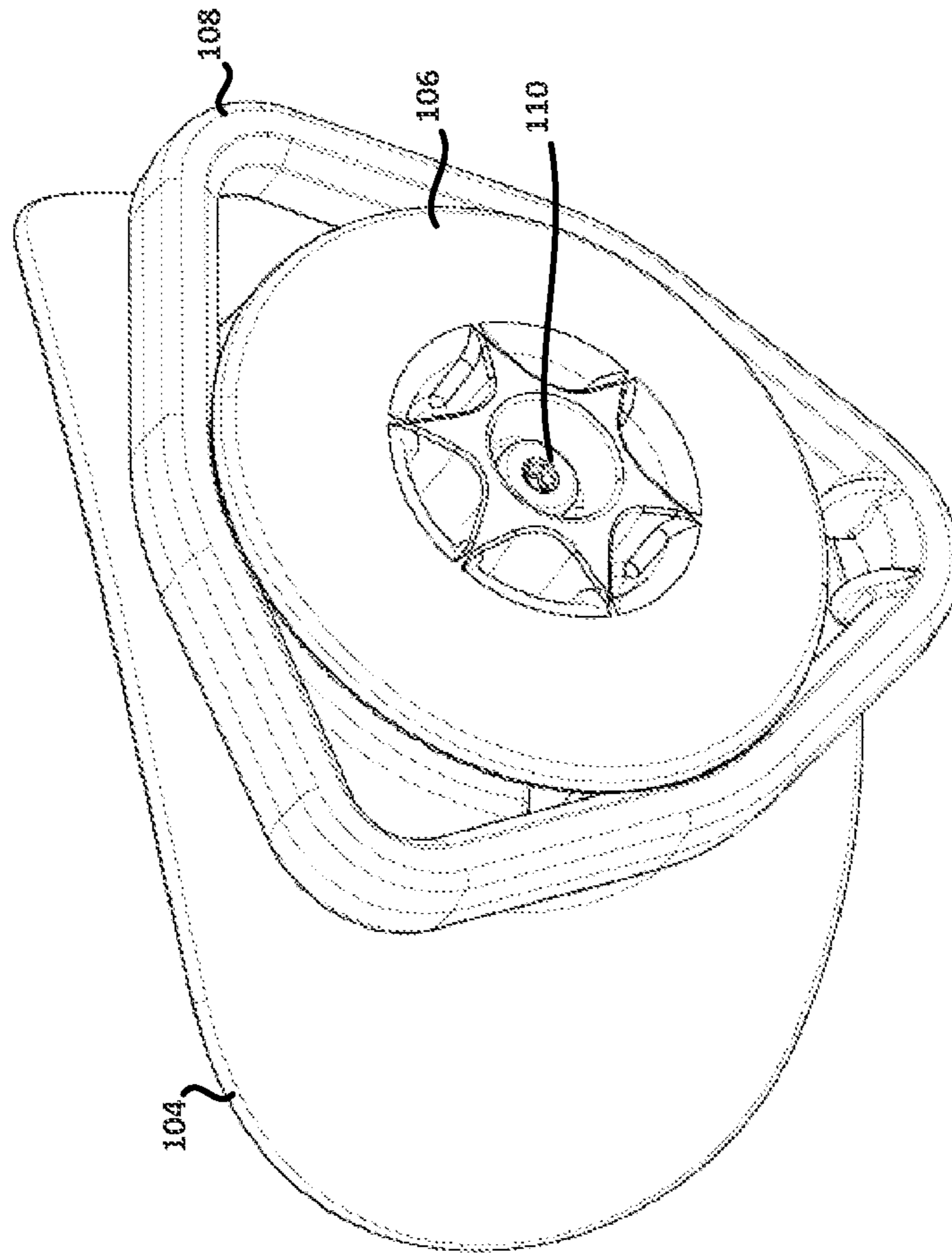


FIG. 1

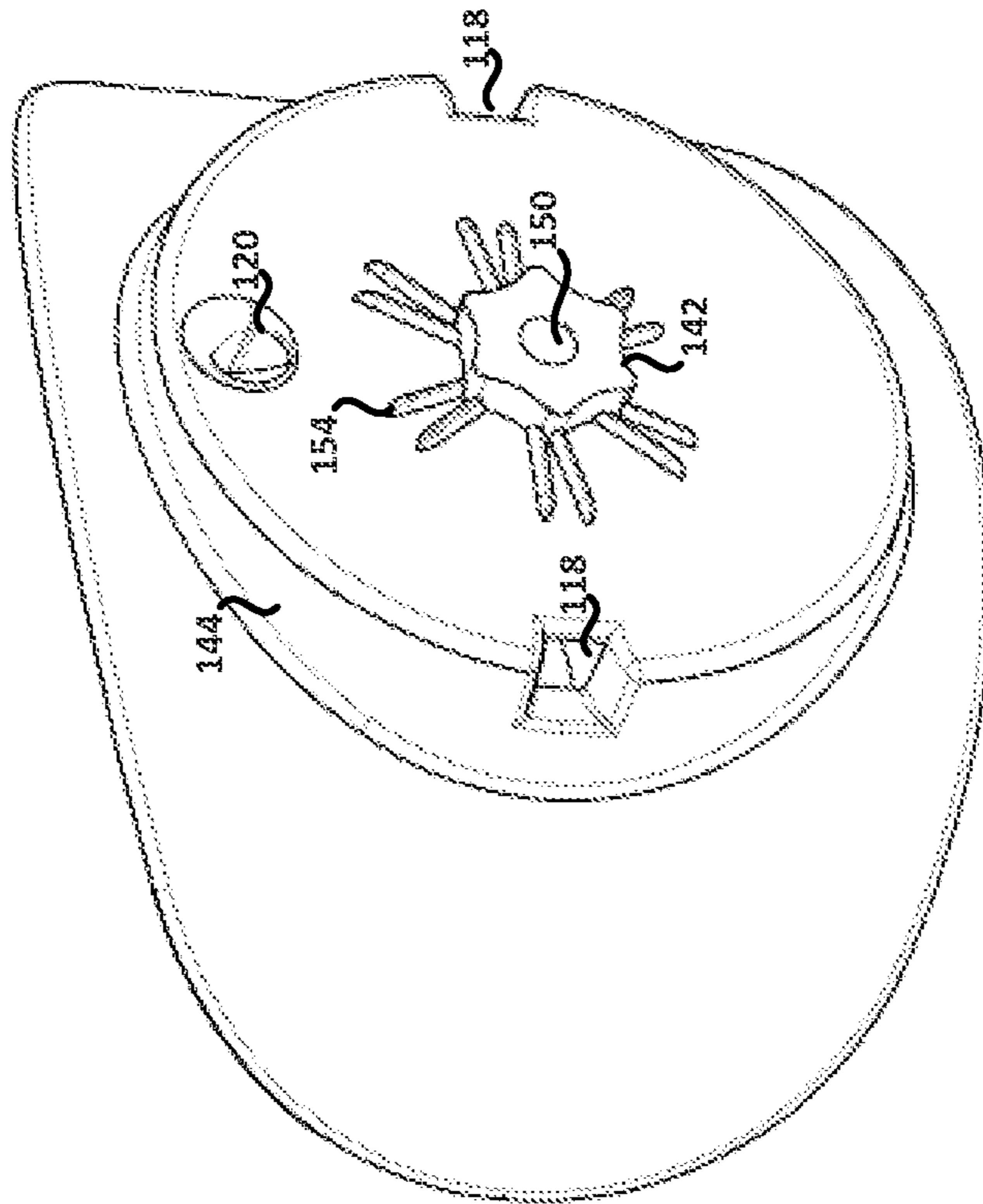


FIG. 2

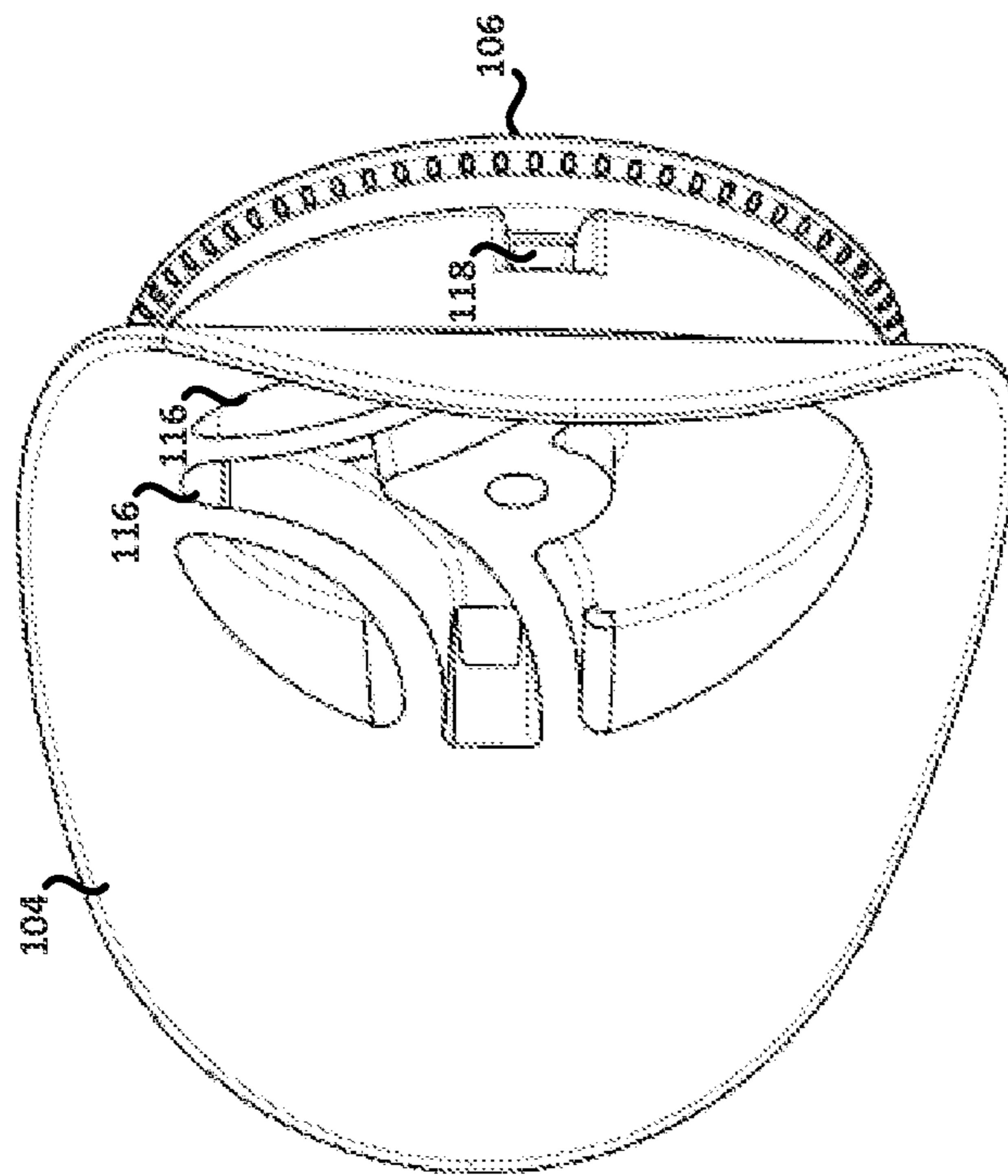


FIG. 3

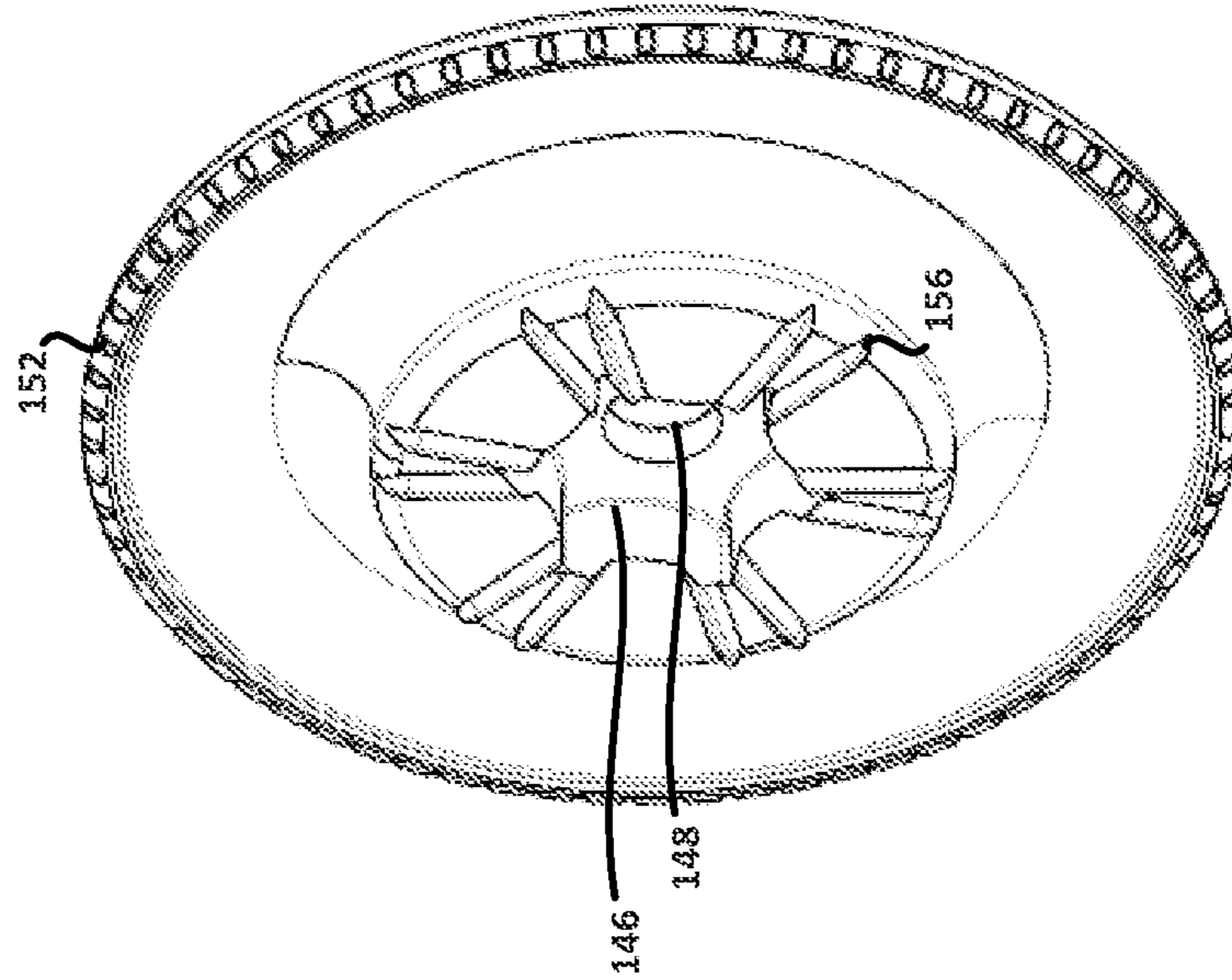


FIG. 4

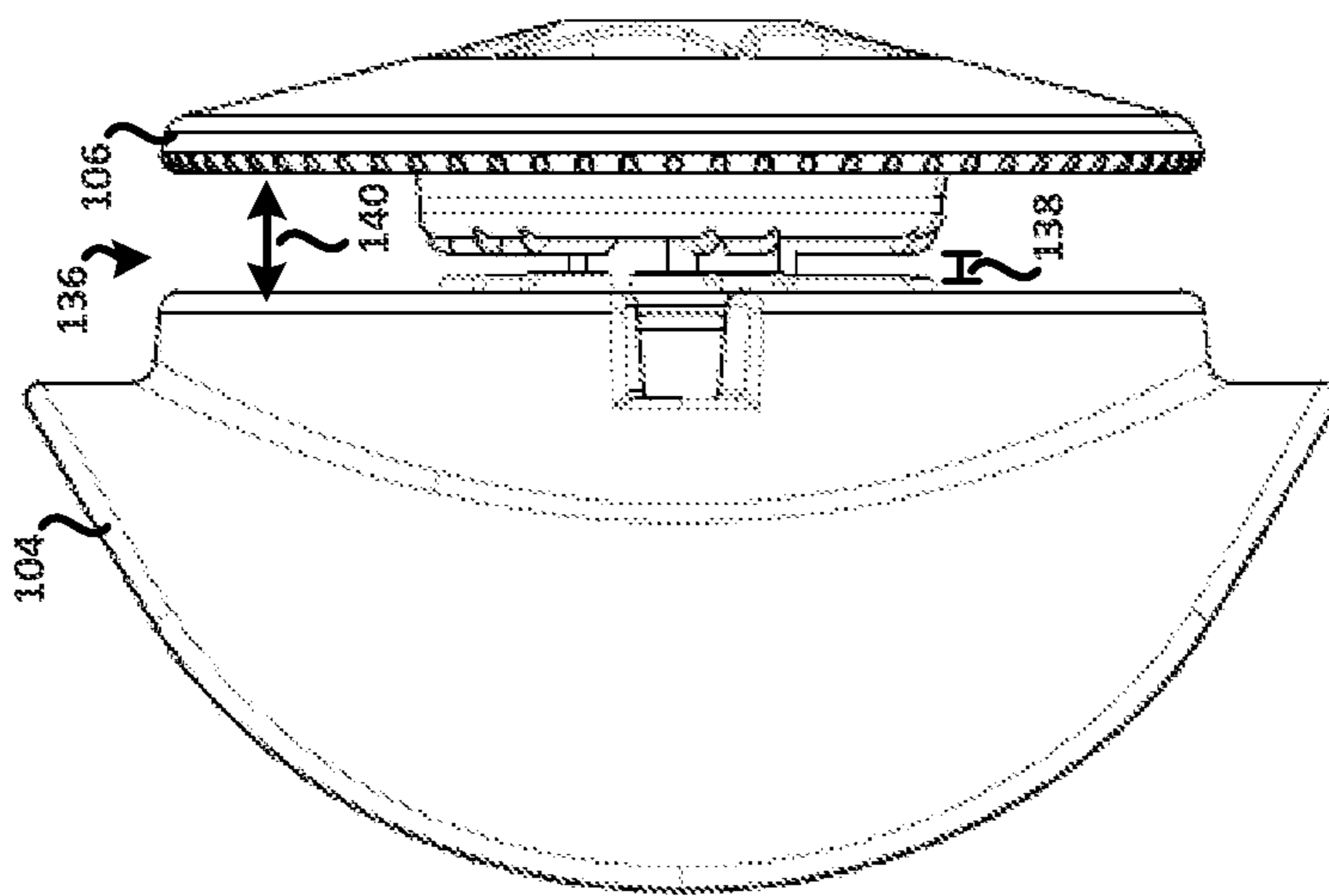


FIG. 5

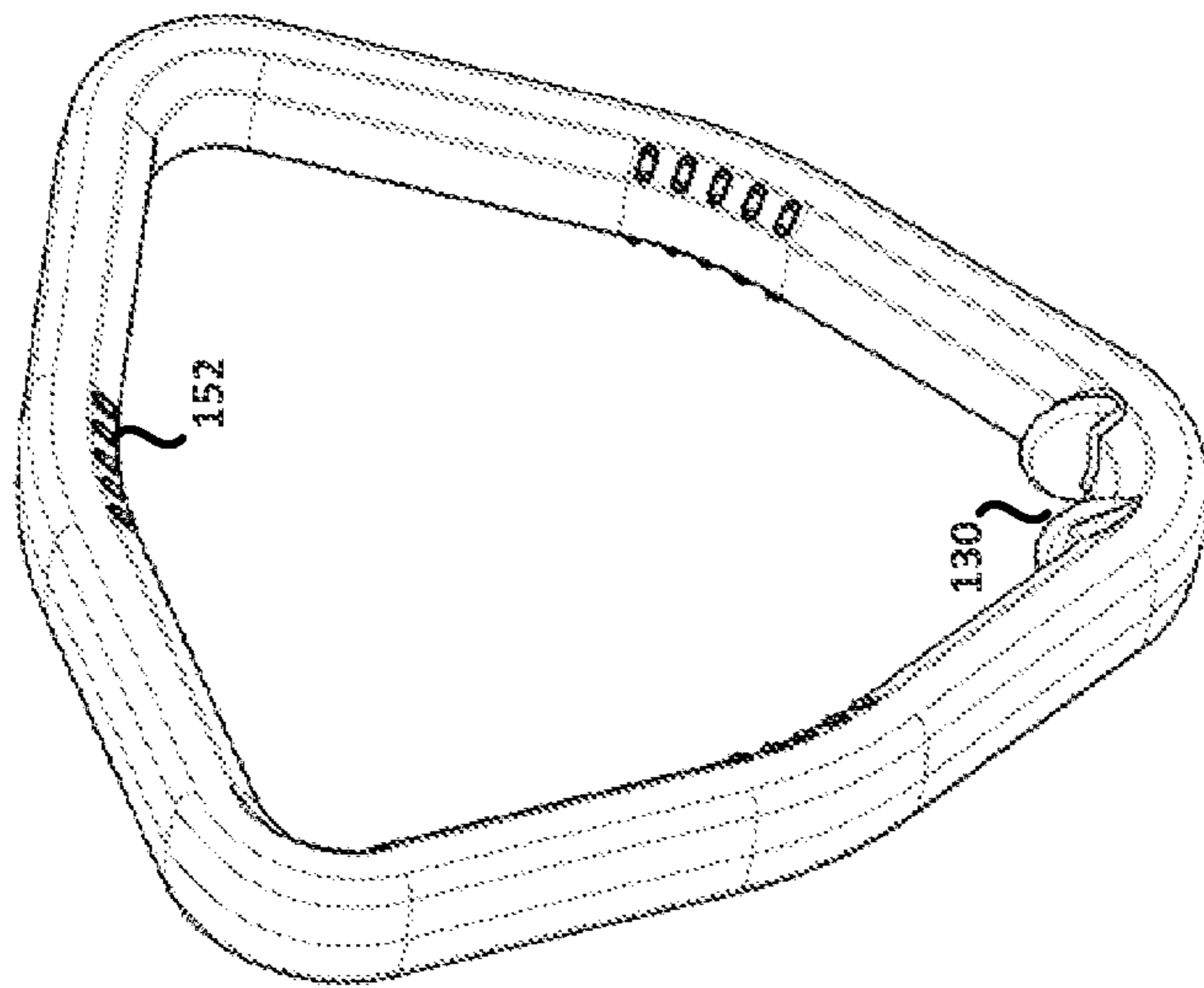


FIG. 6

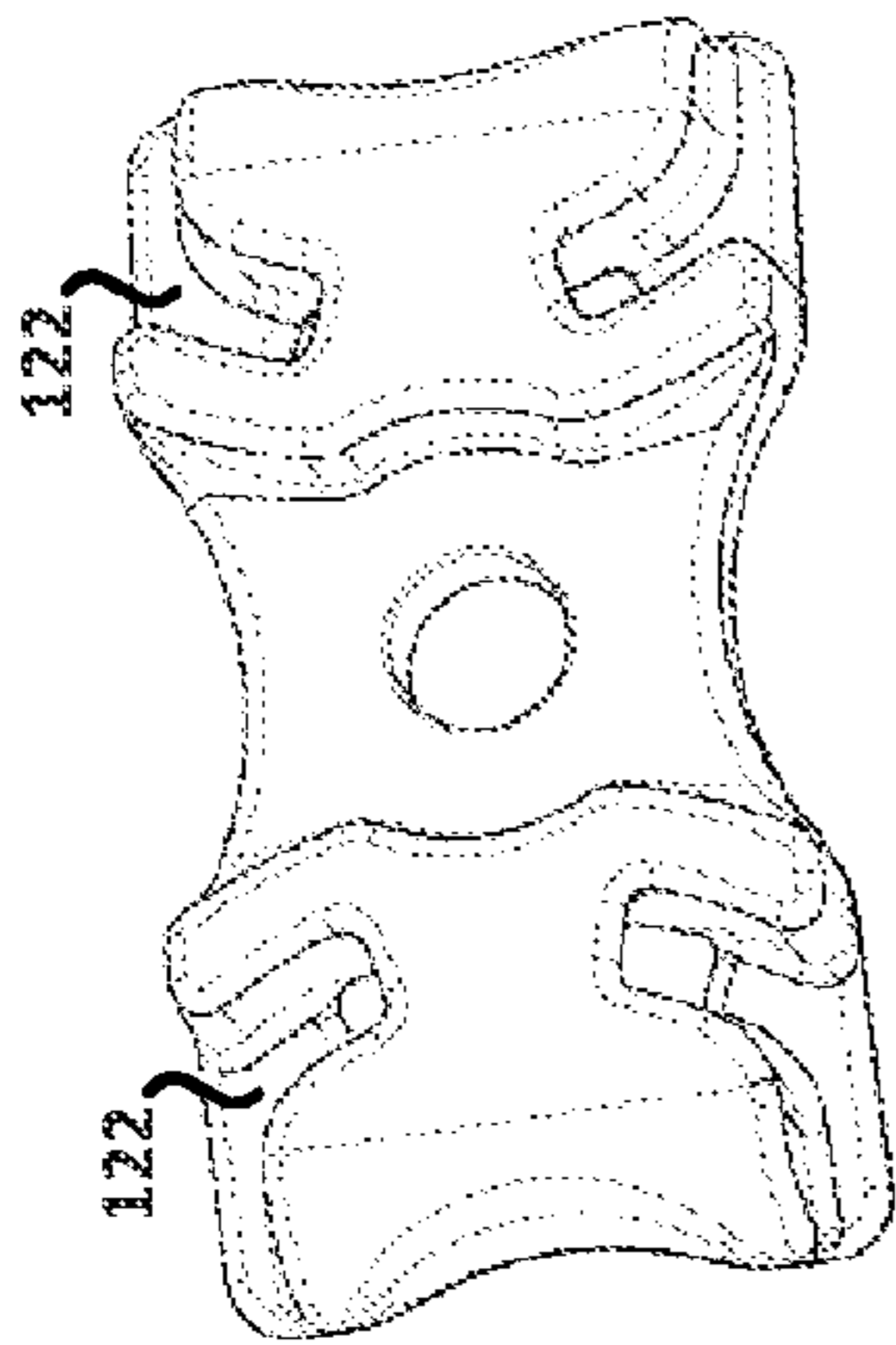


FIG. 7A

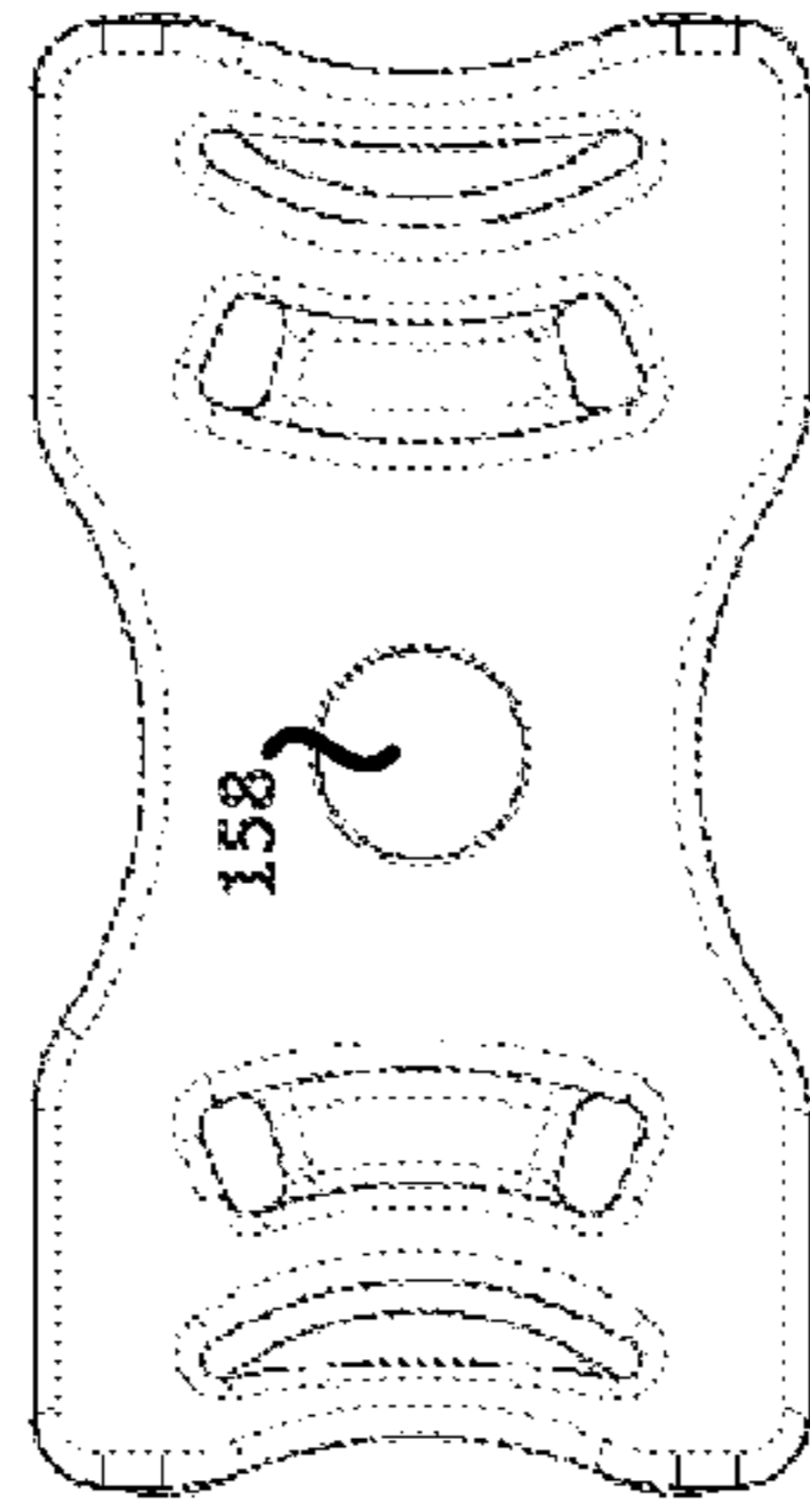


FIG. 7B

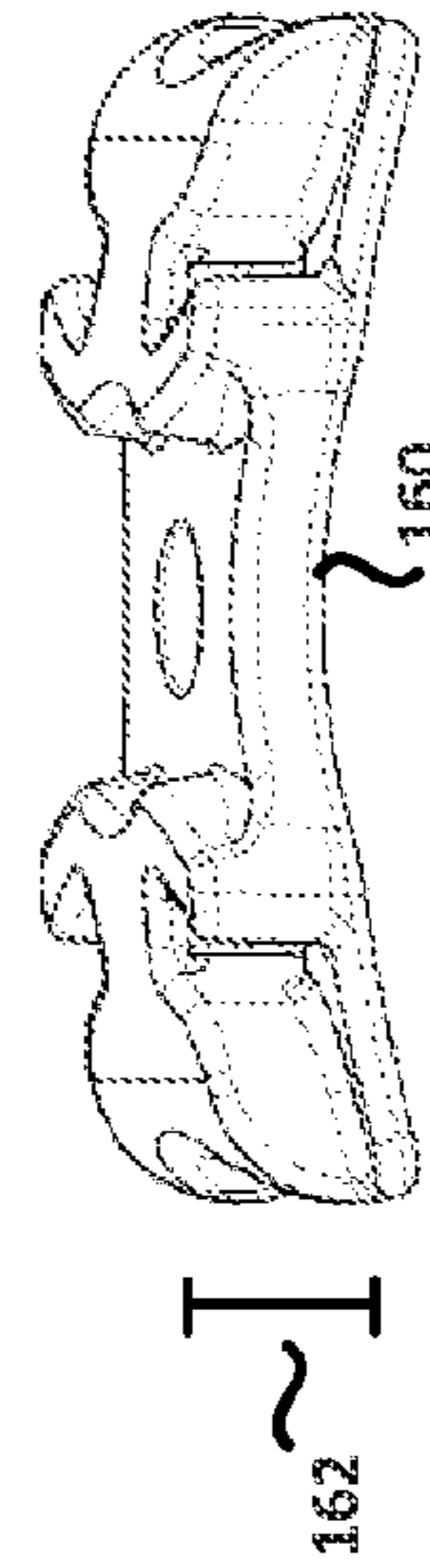


FIG. 7C

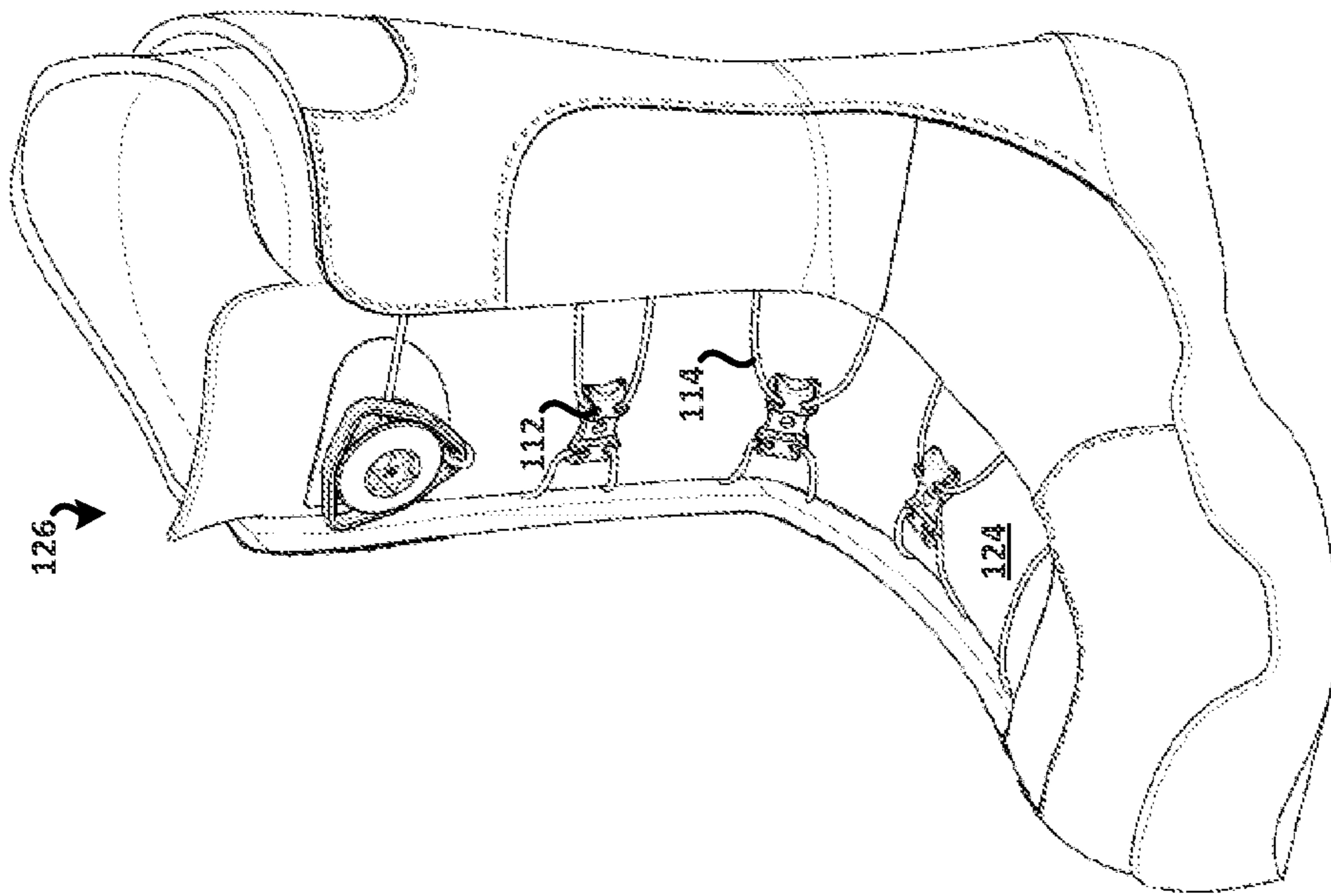


FIG. 8A

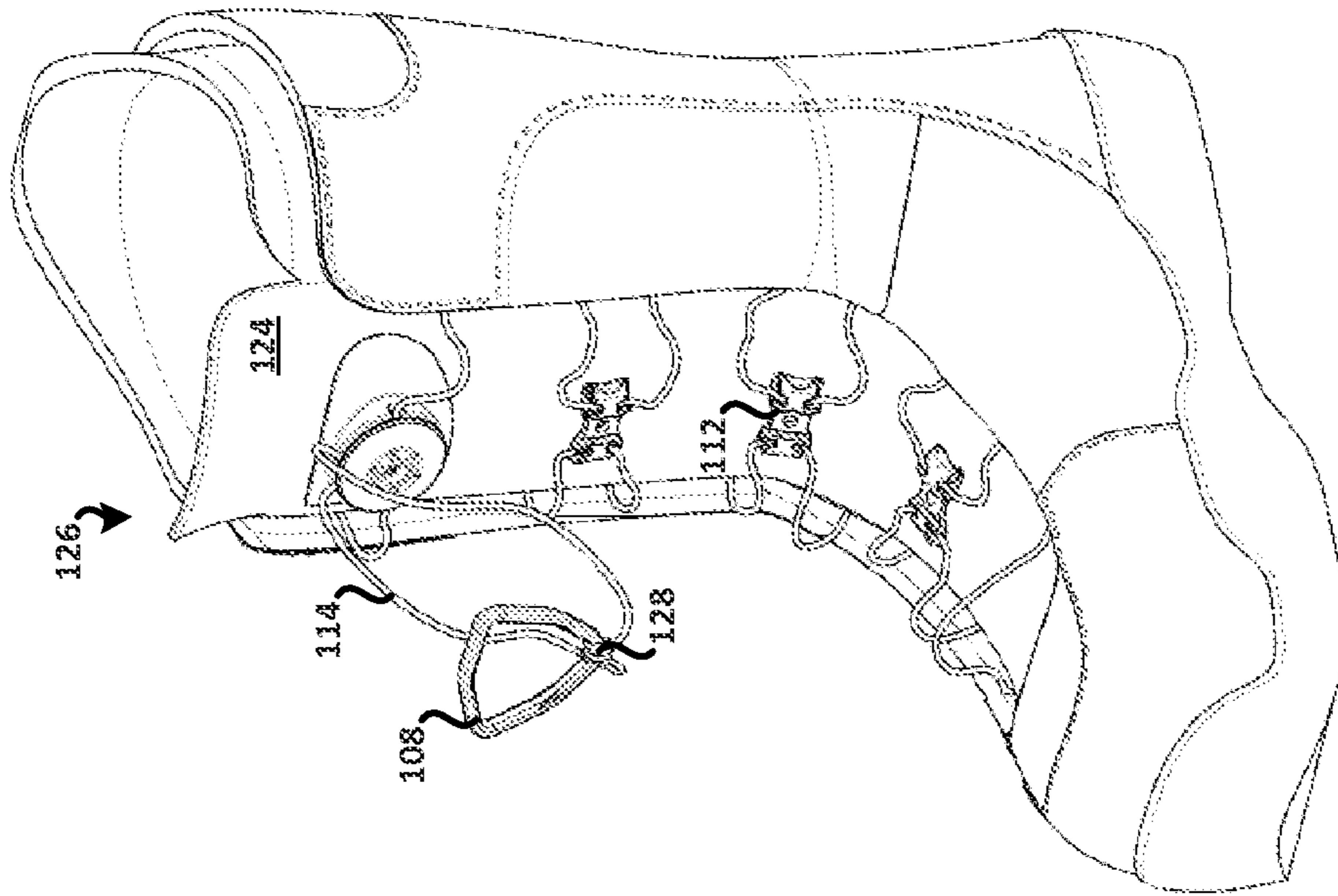


FIG. 8B

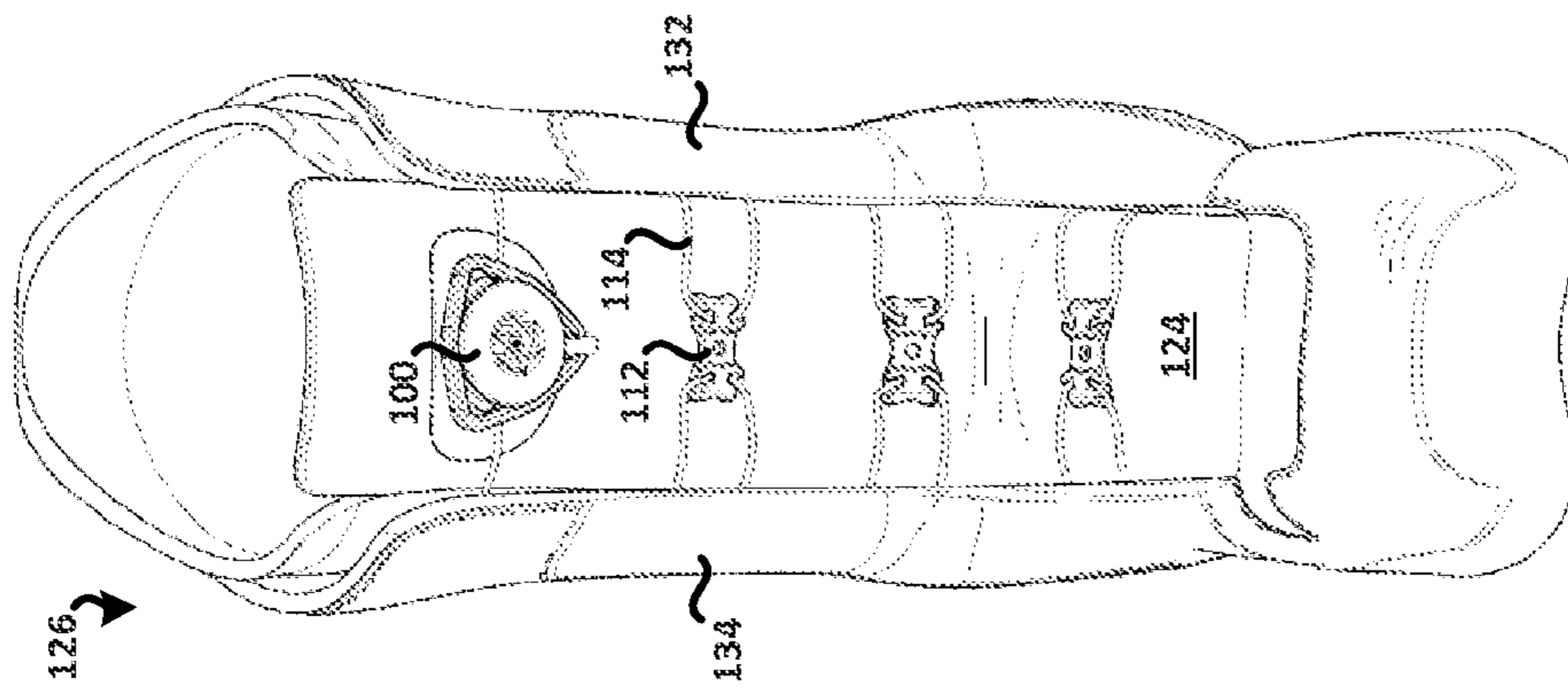


FIG. 8C

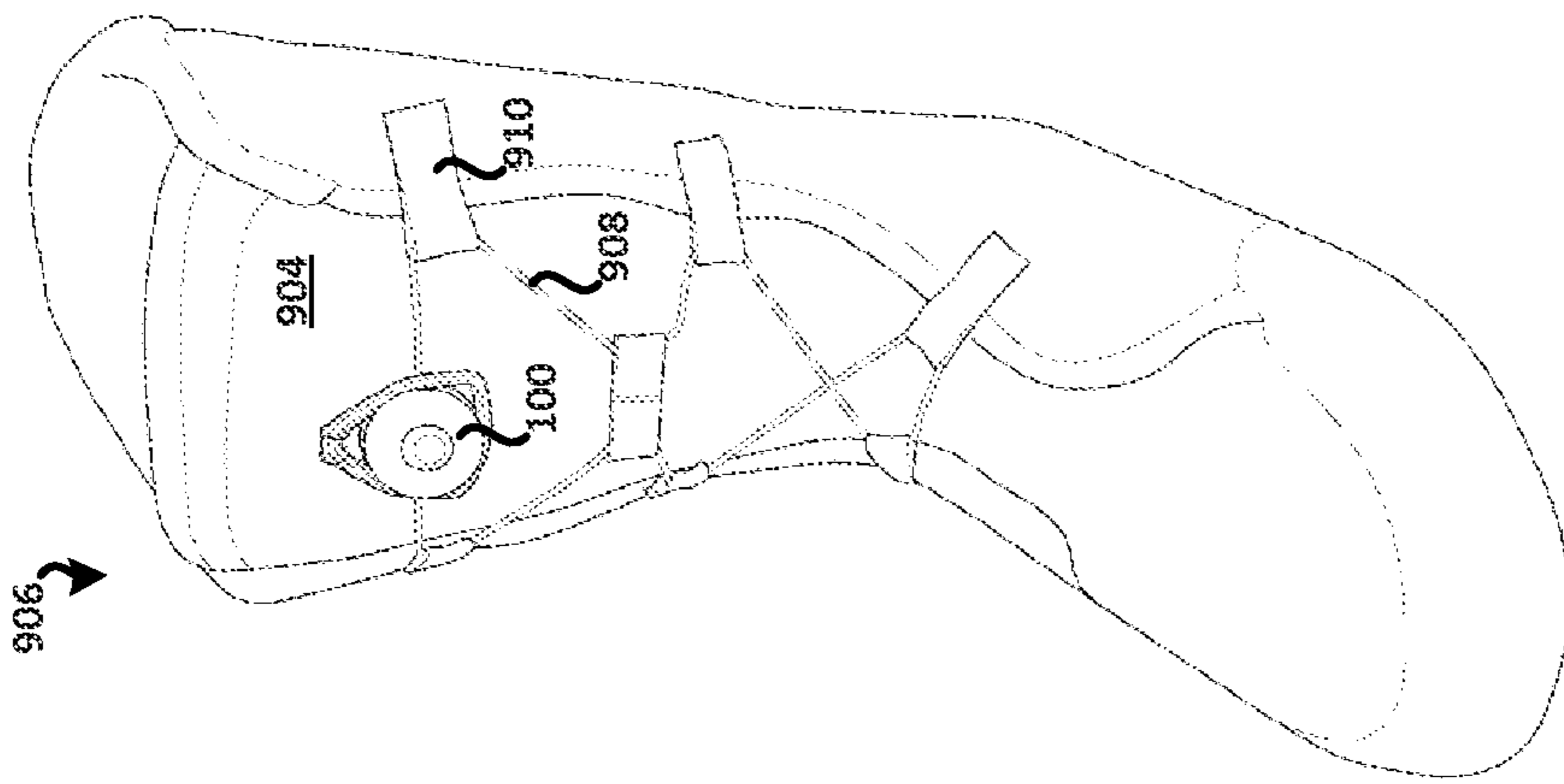


FIG. 9

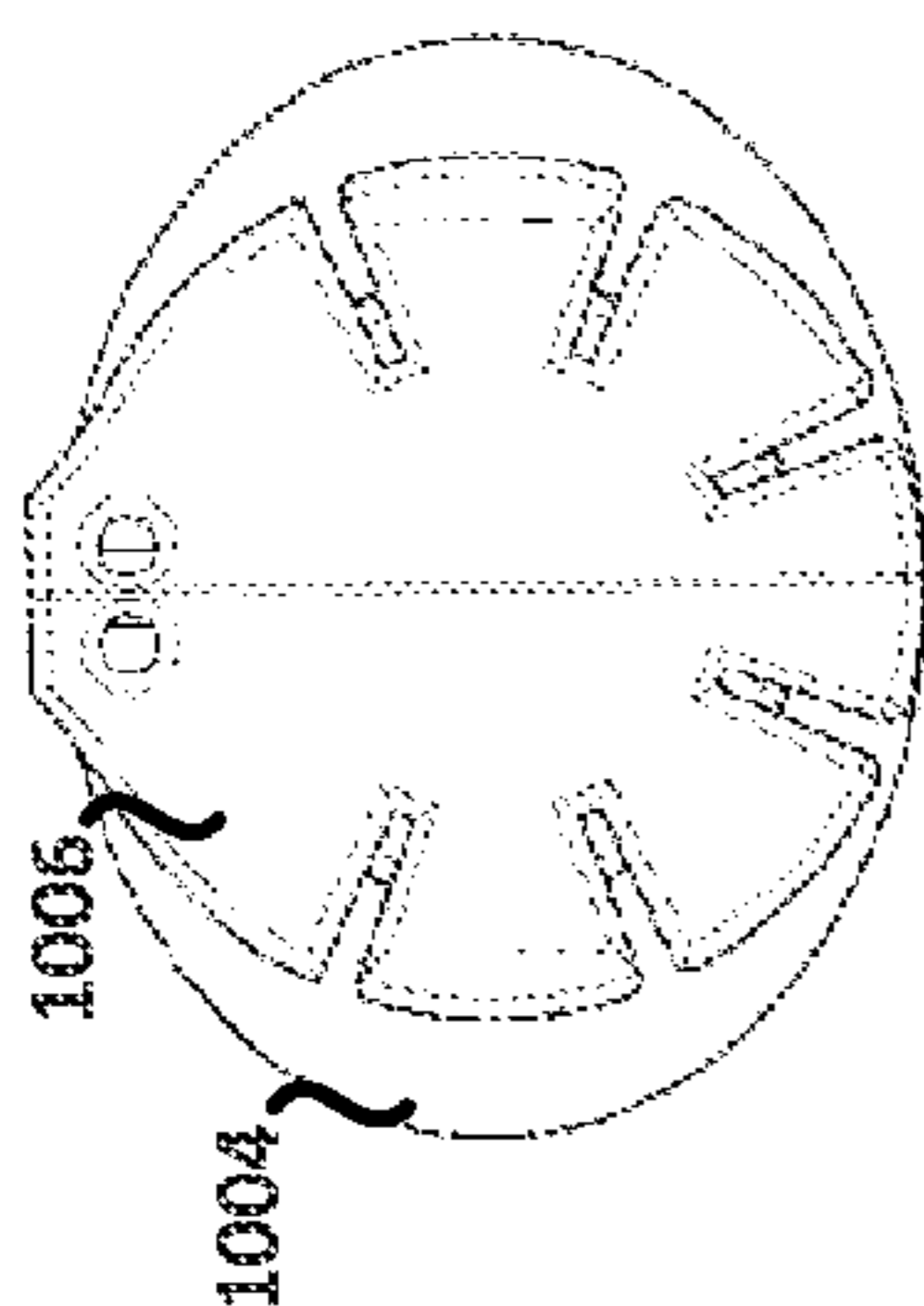


FIG. 10A

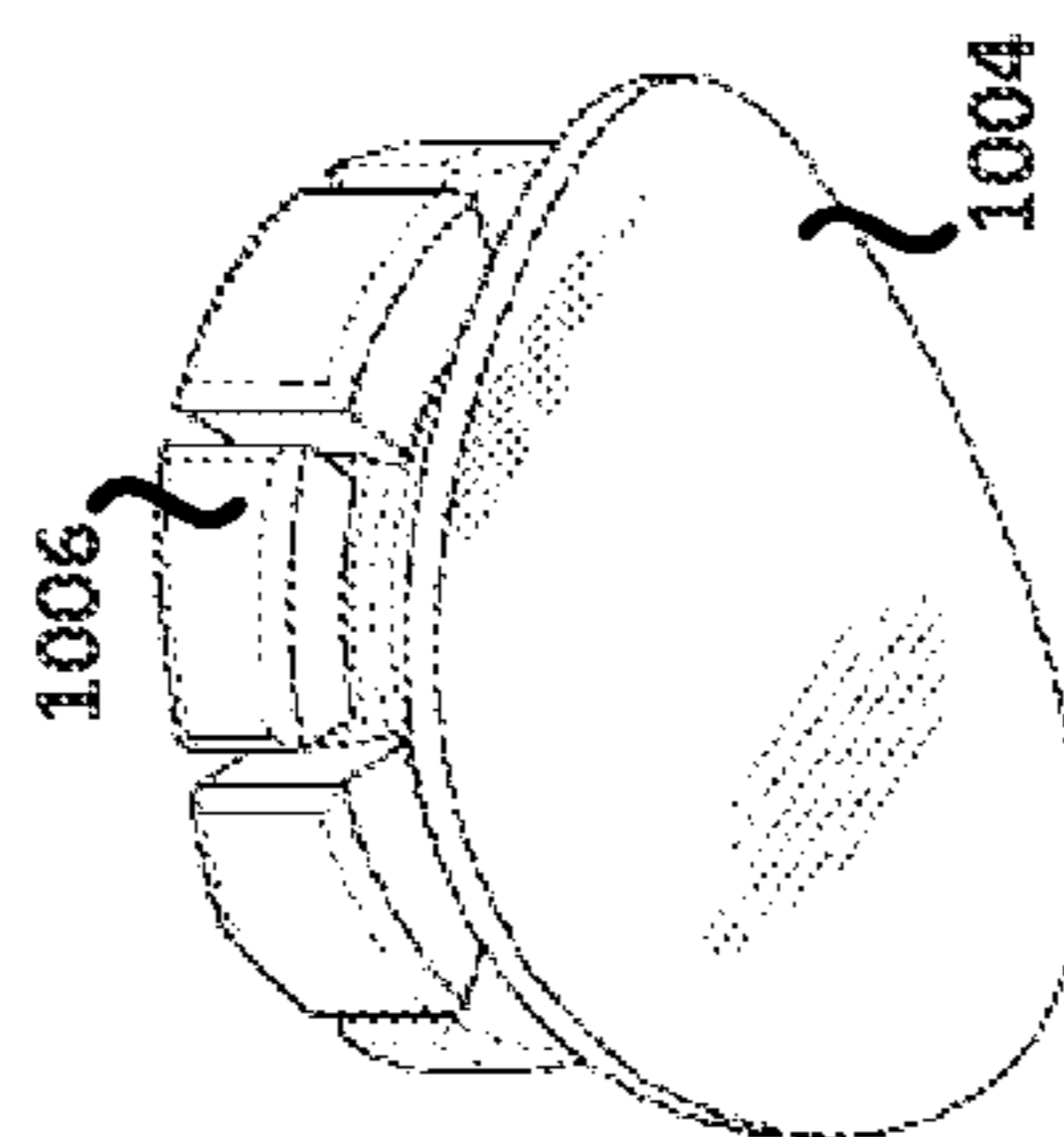


FIG. 10C

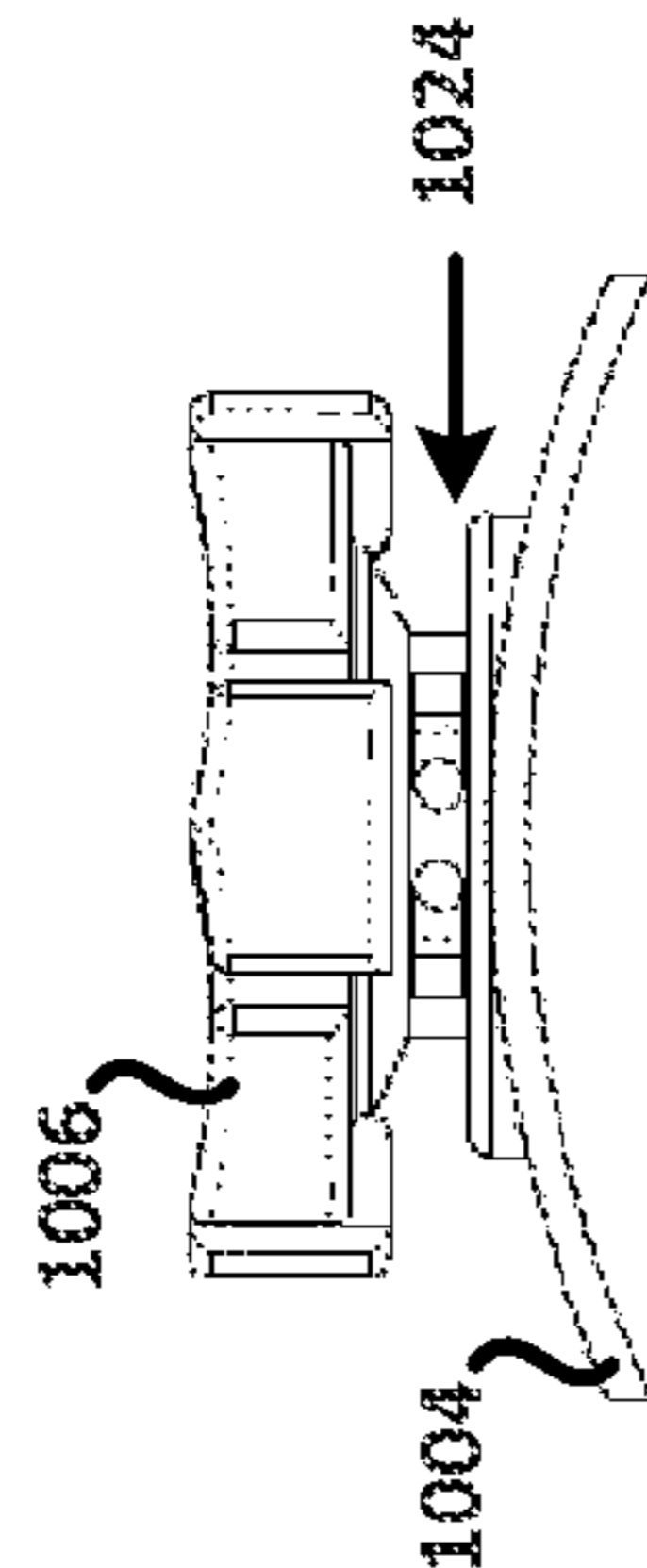


FIG. 10B

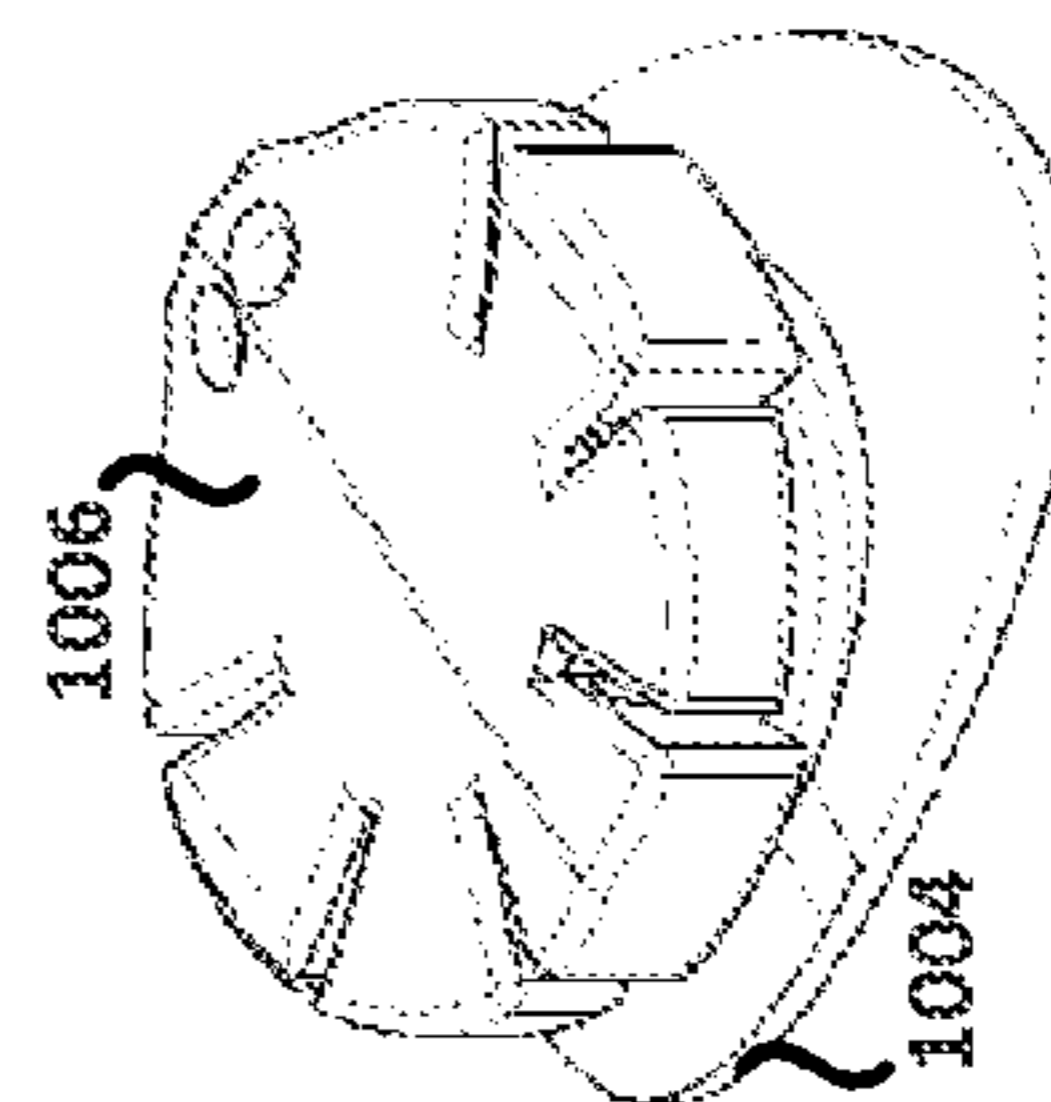


FIG. 10D

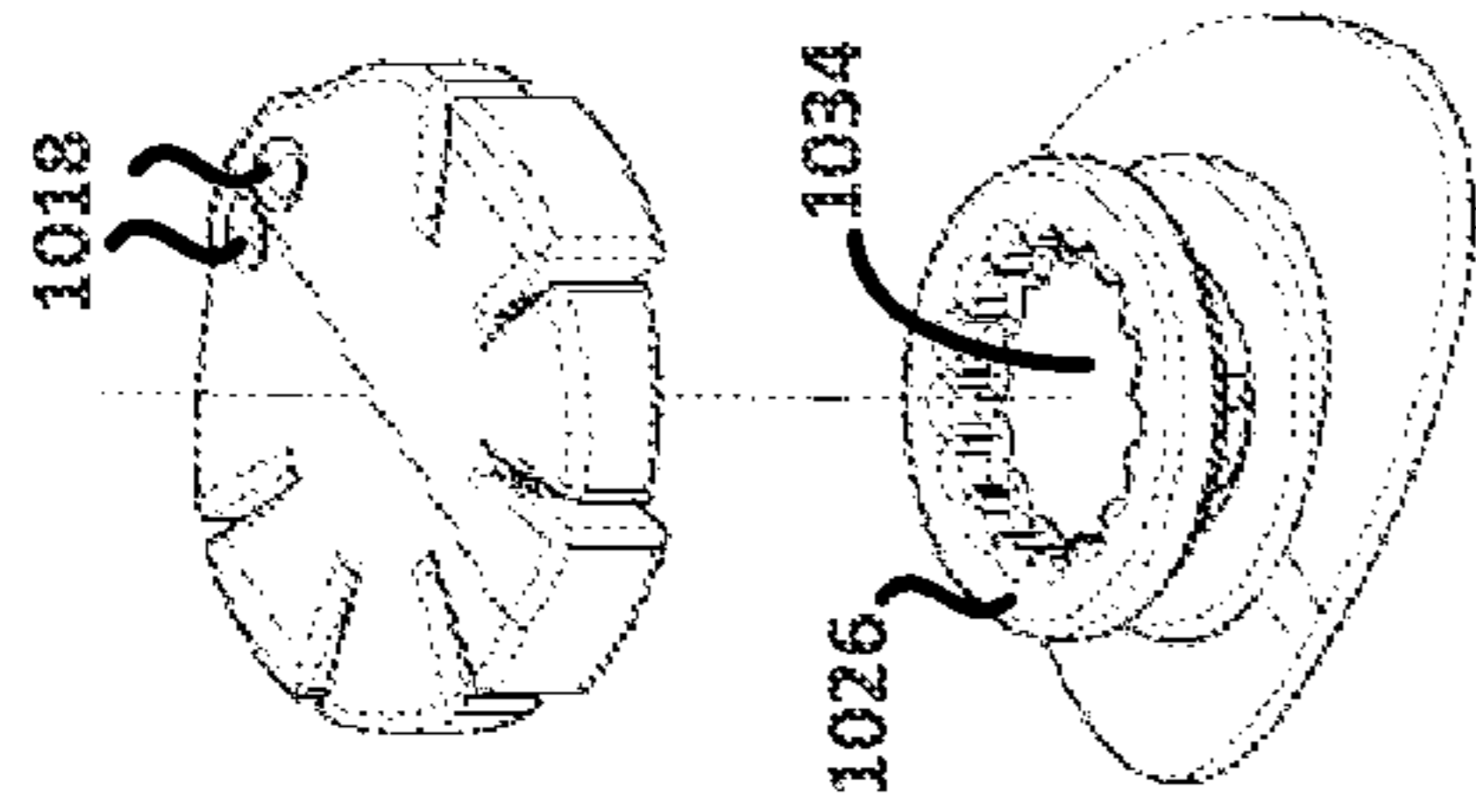


FIG. 11A

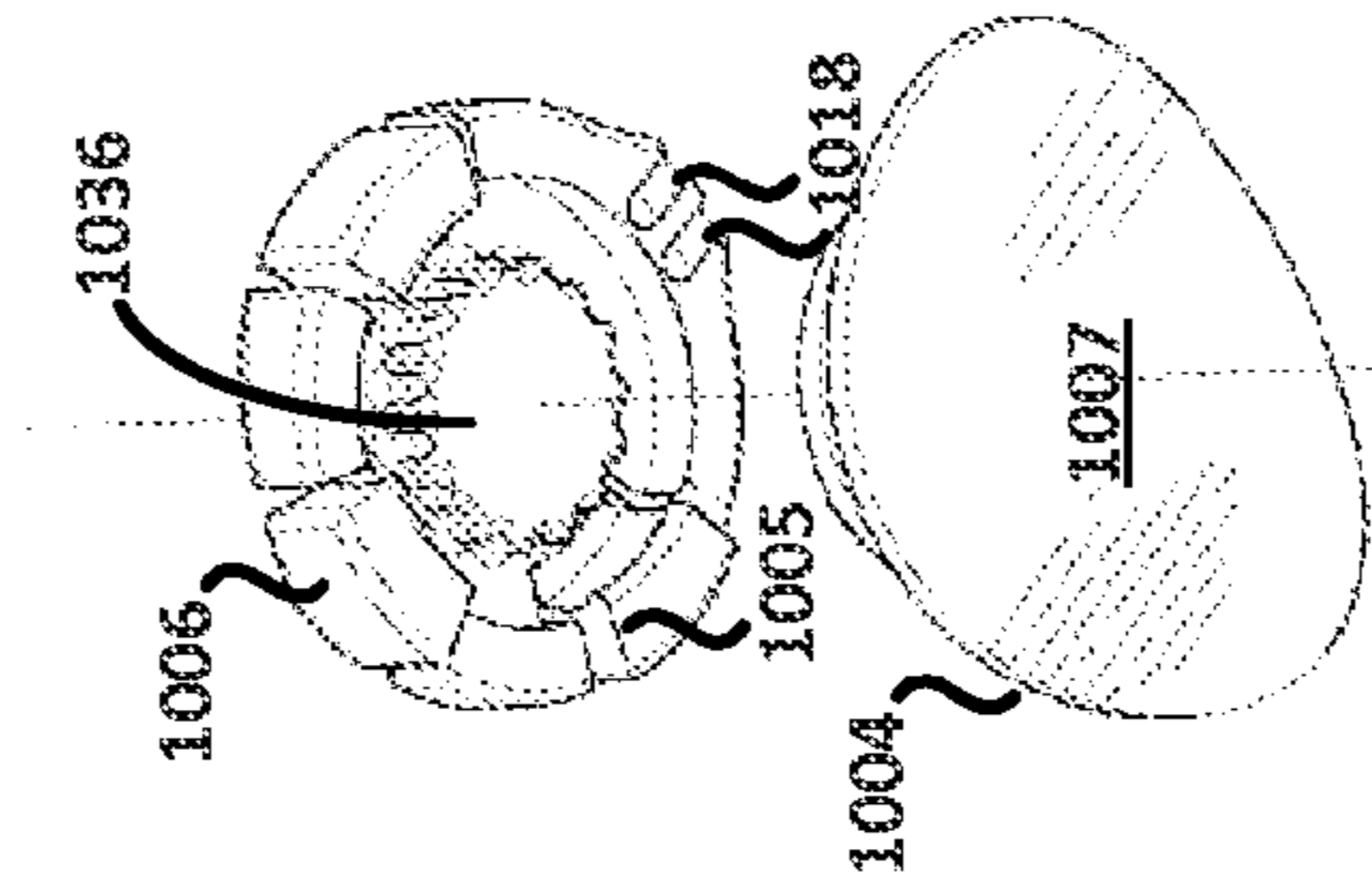


FIG. 11B

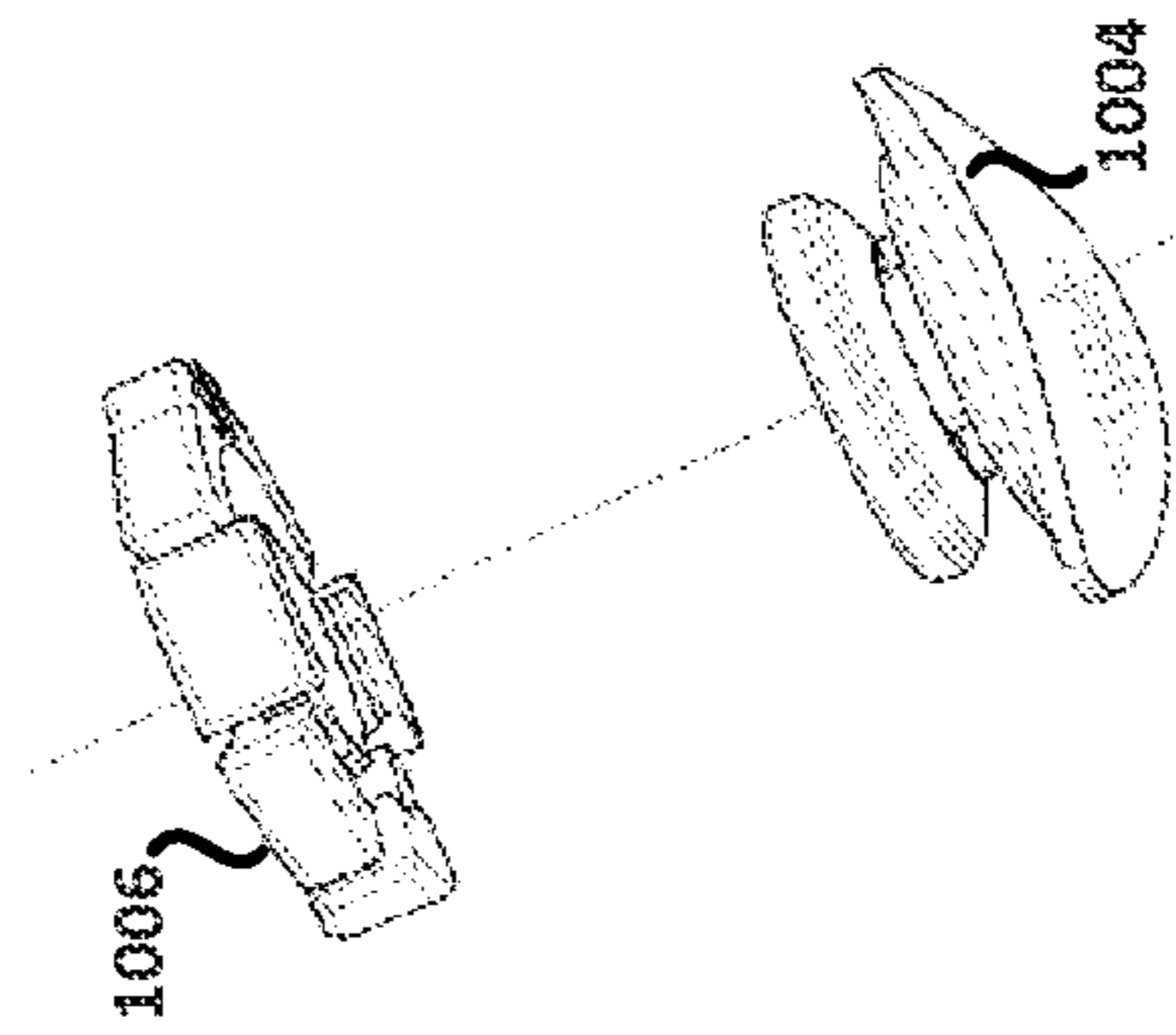


FIG. 11C

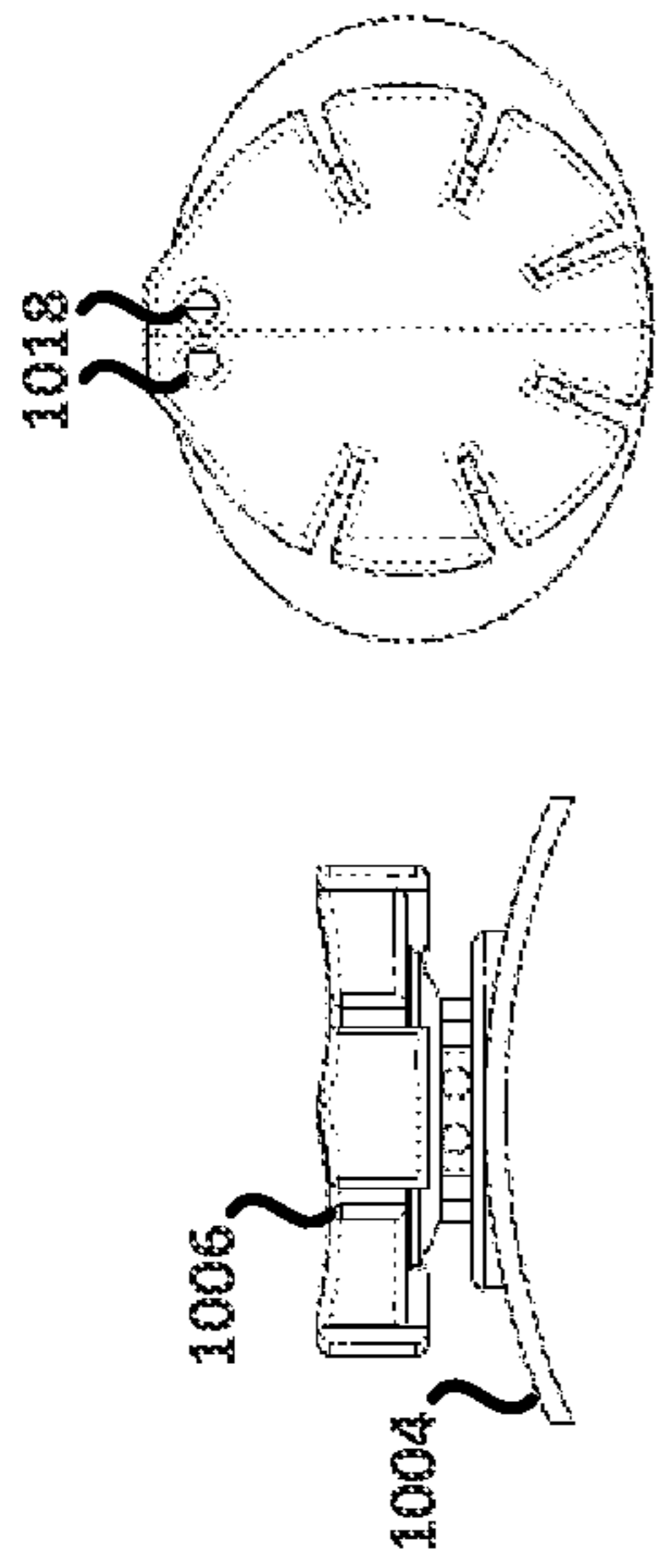


FIG. 12A

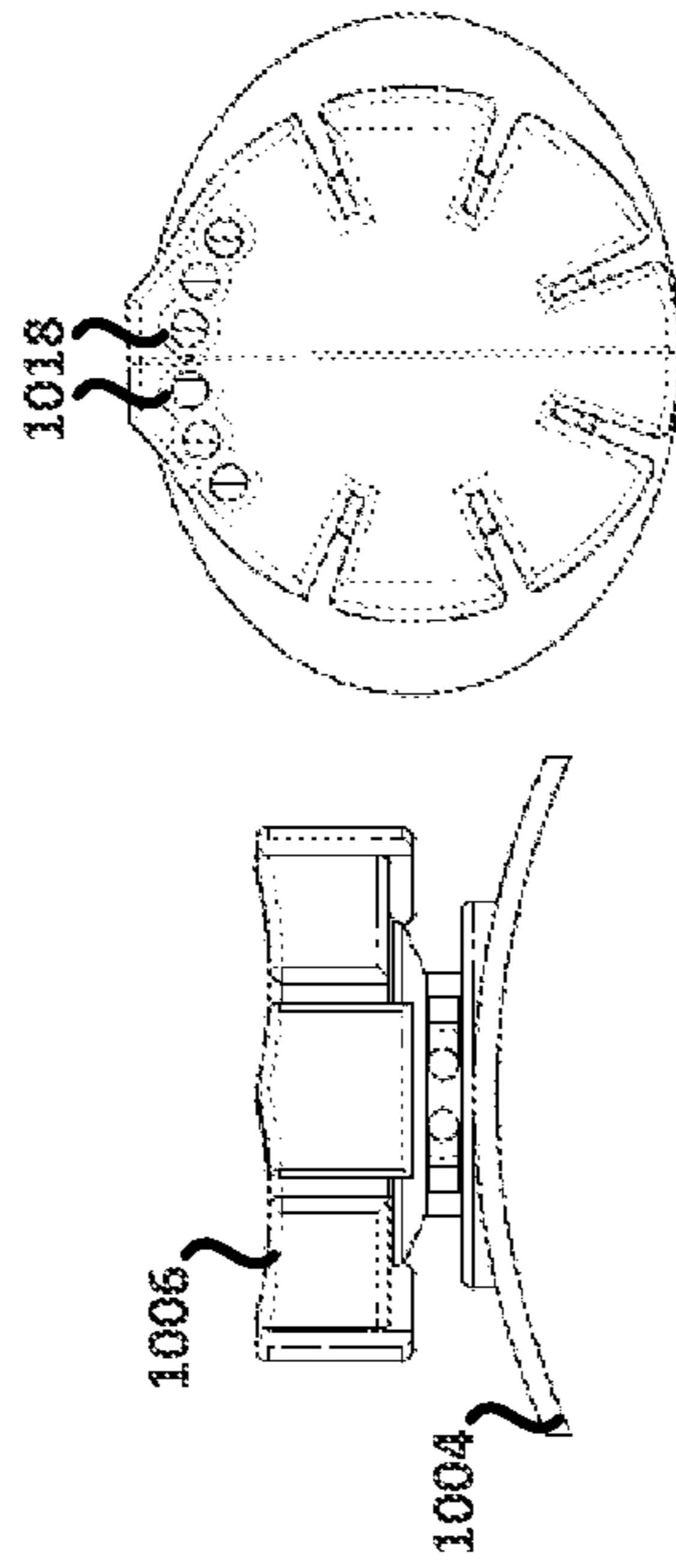


FIG. 12B

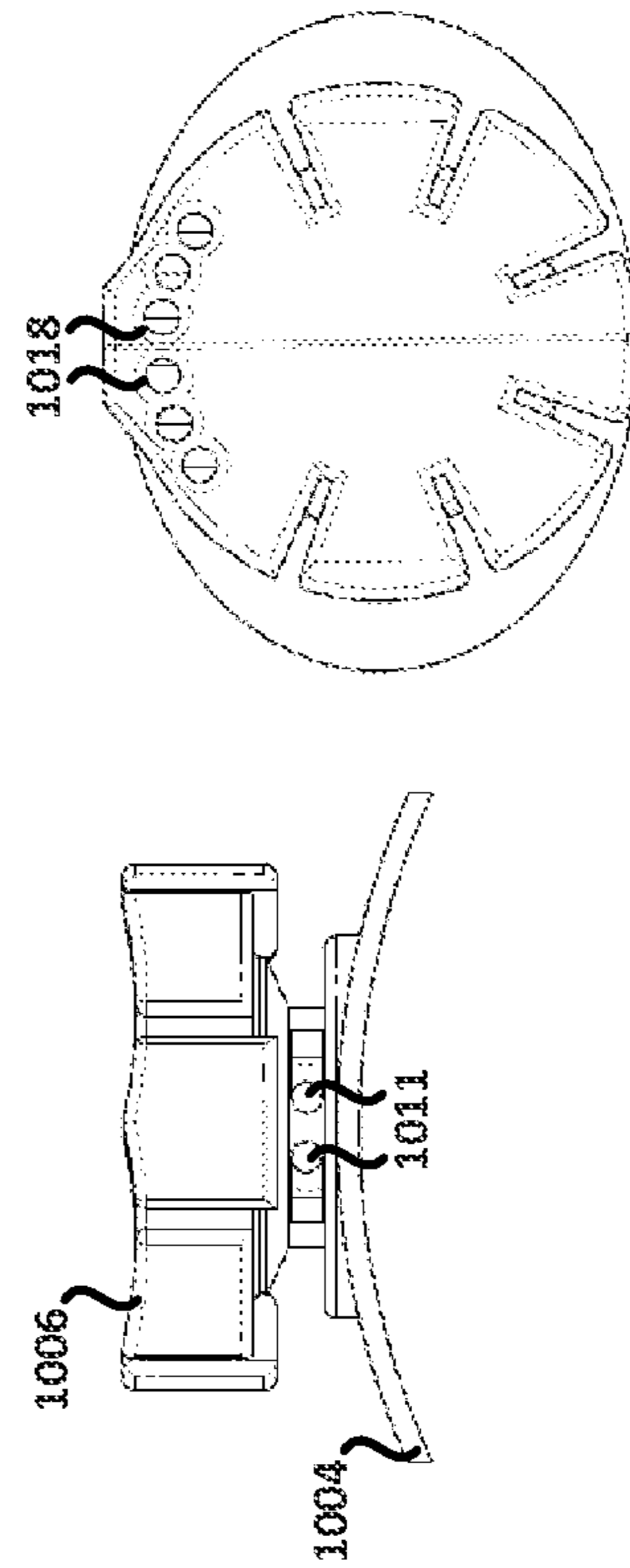


FIG. 12C

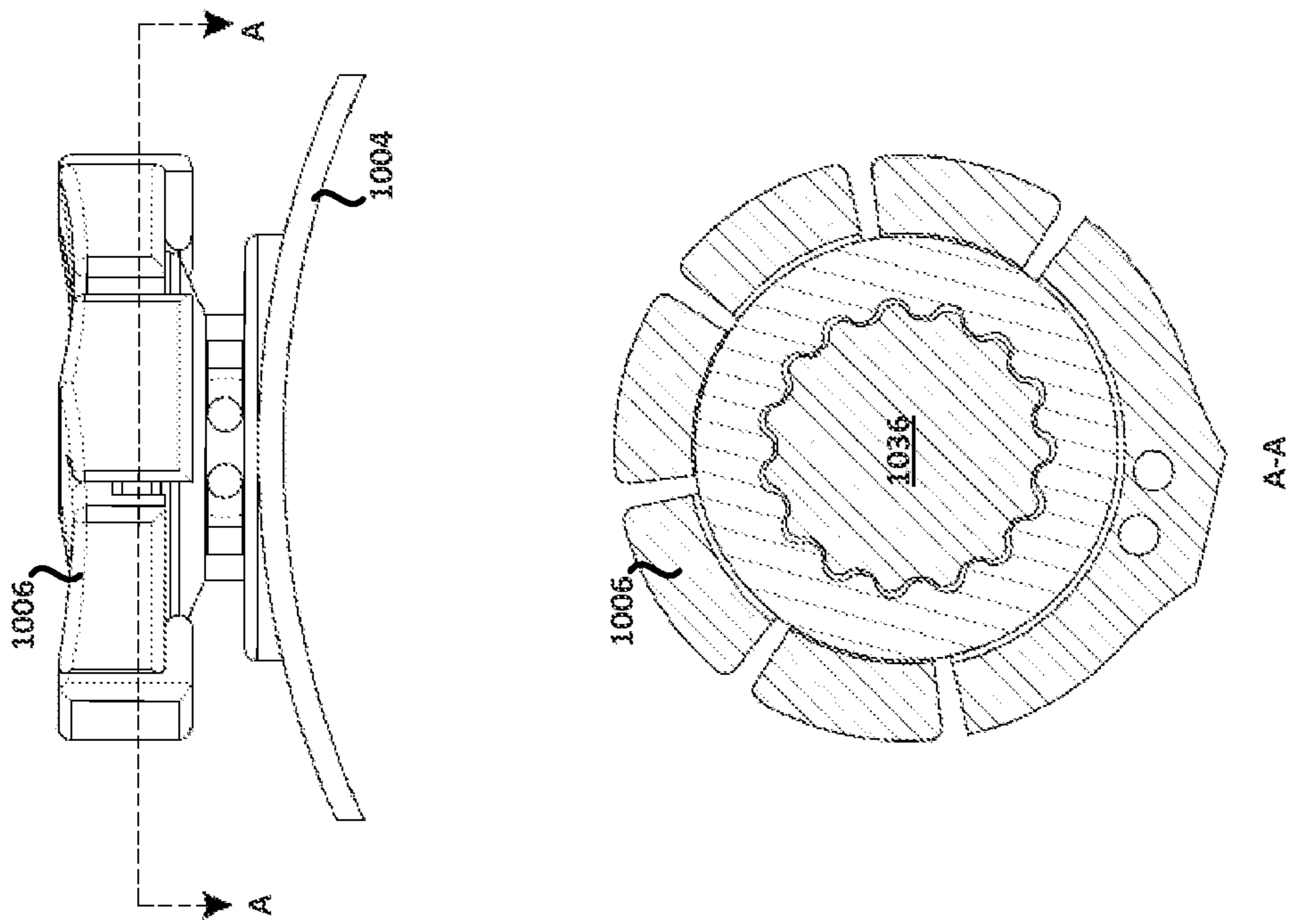


FIG. 13

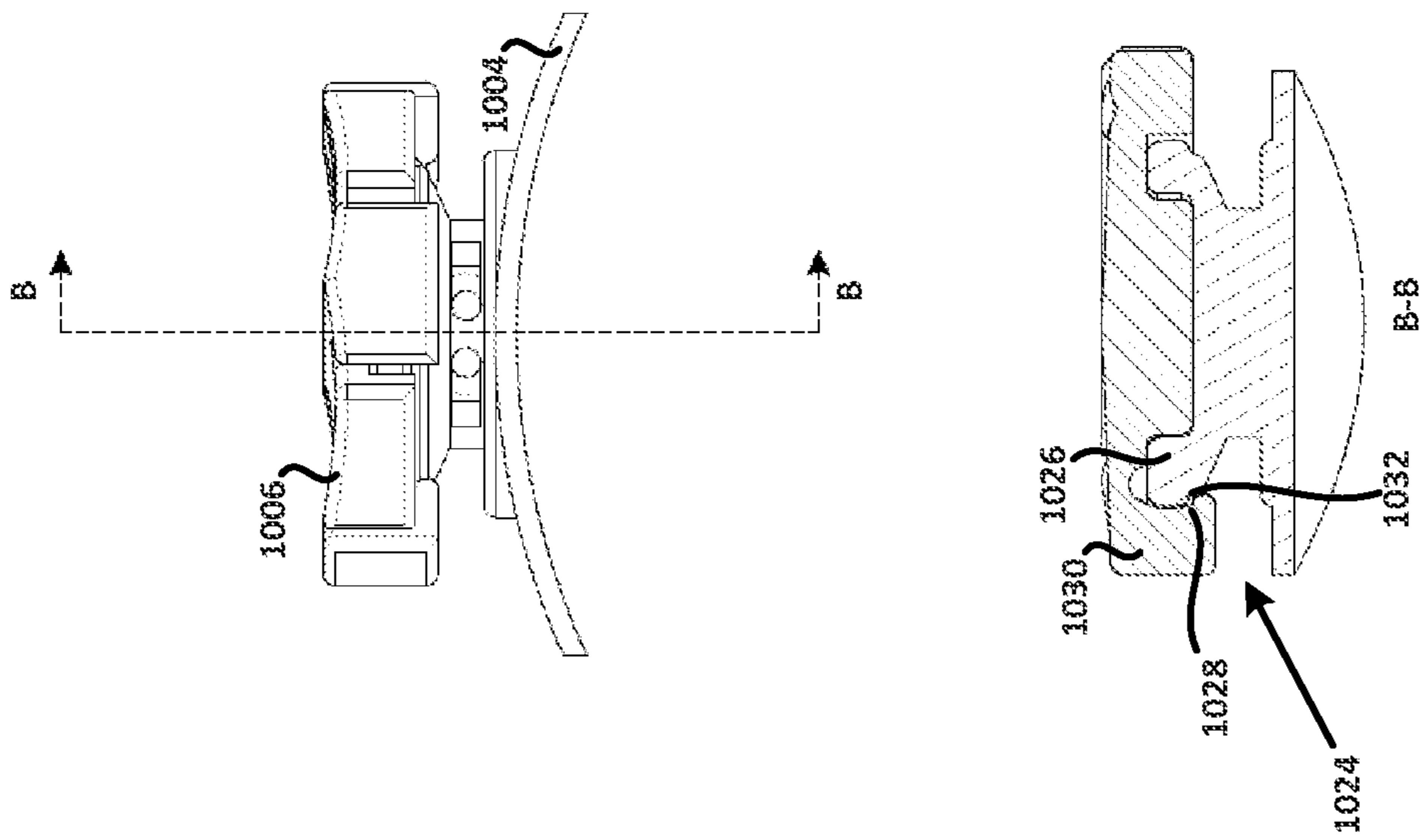


FIG. 14

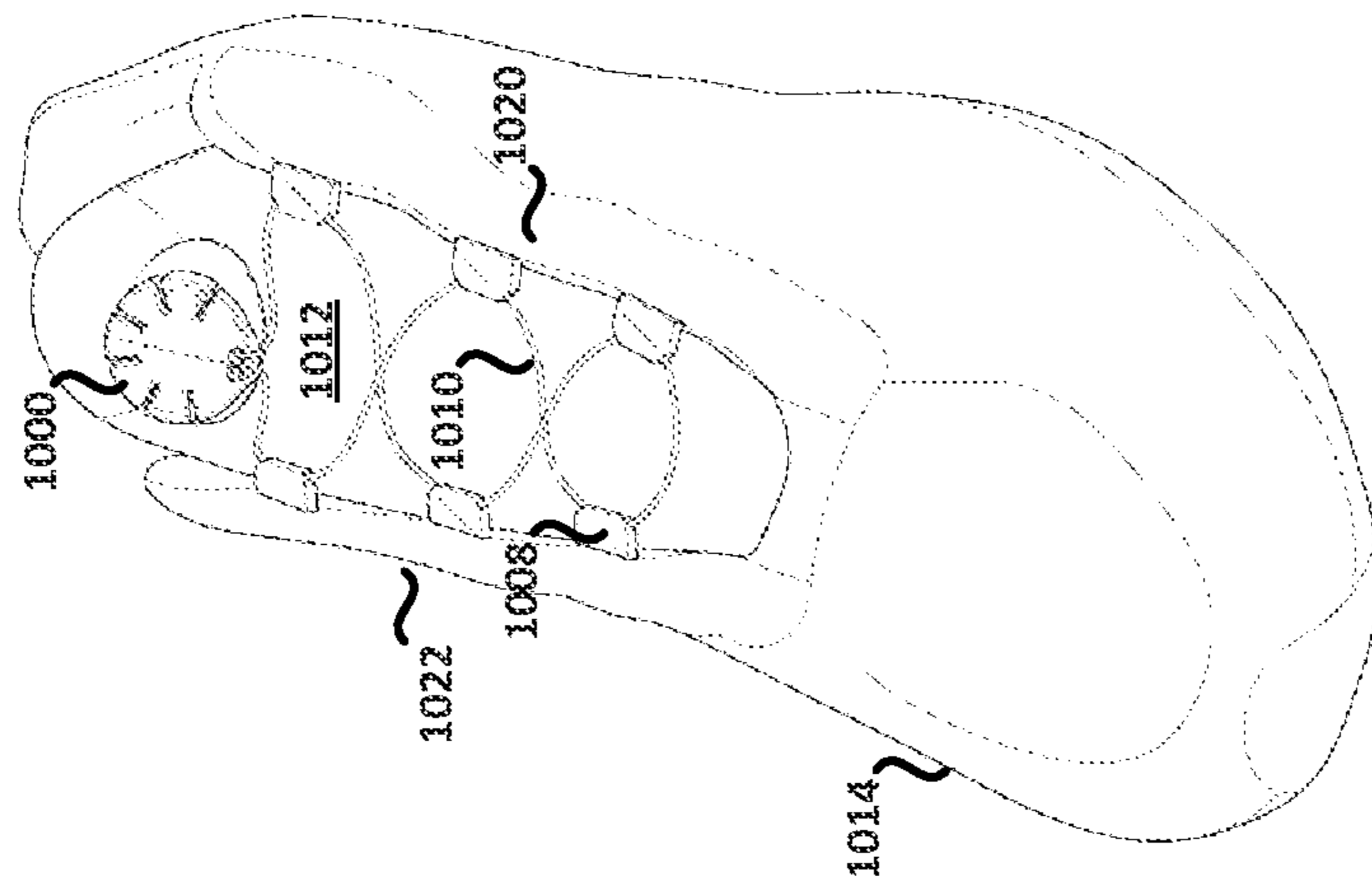


FIG. 15

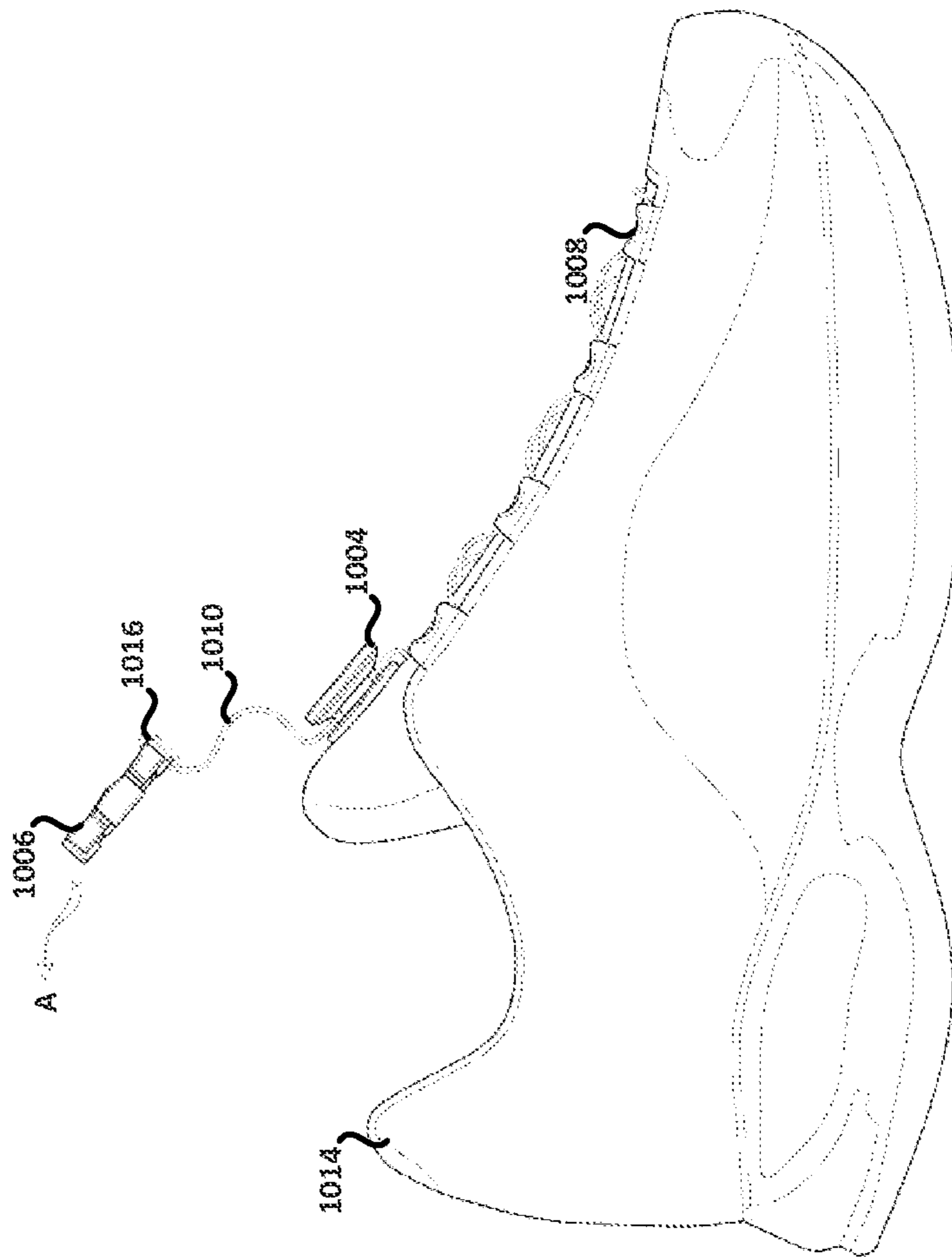


FIG. 16A

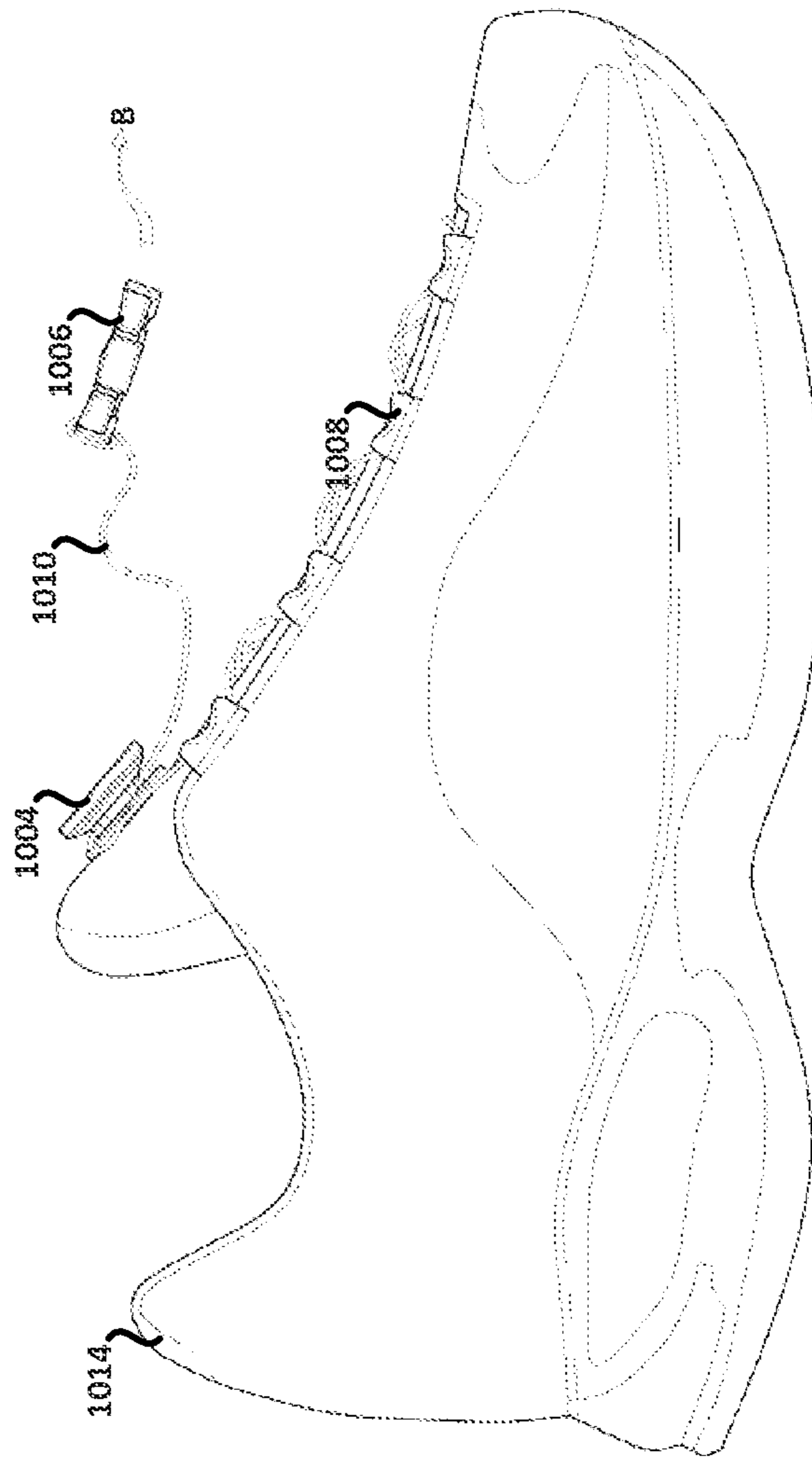


FIG. 16B

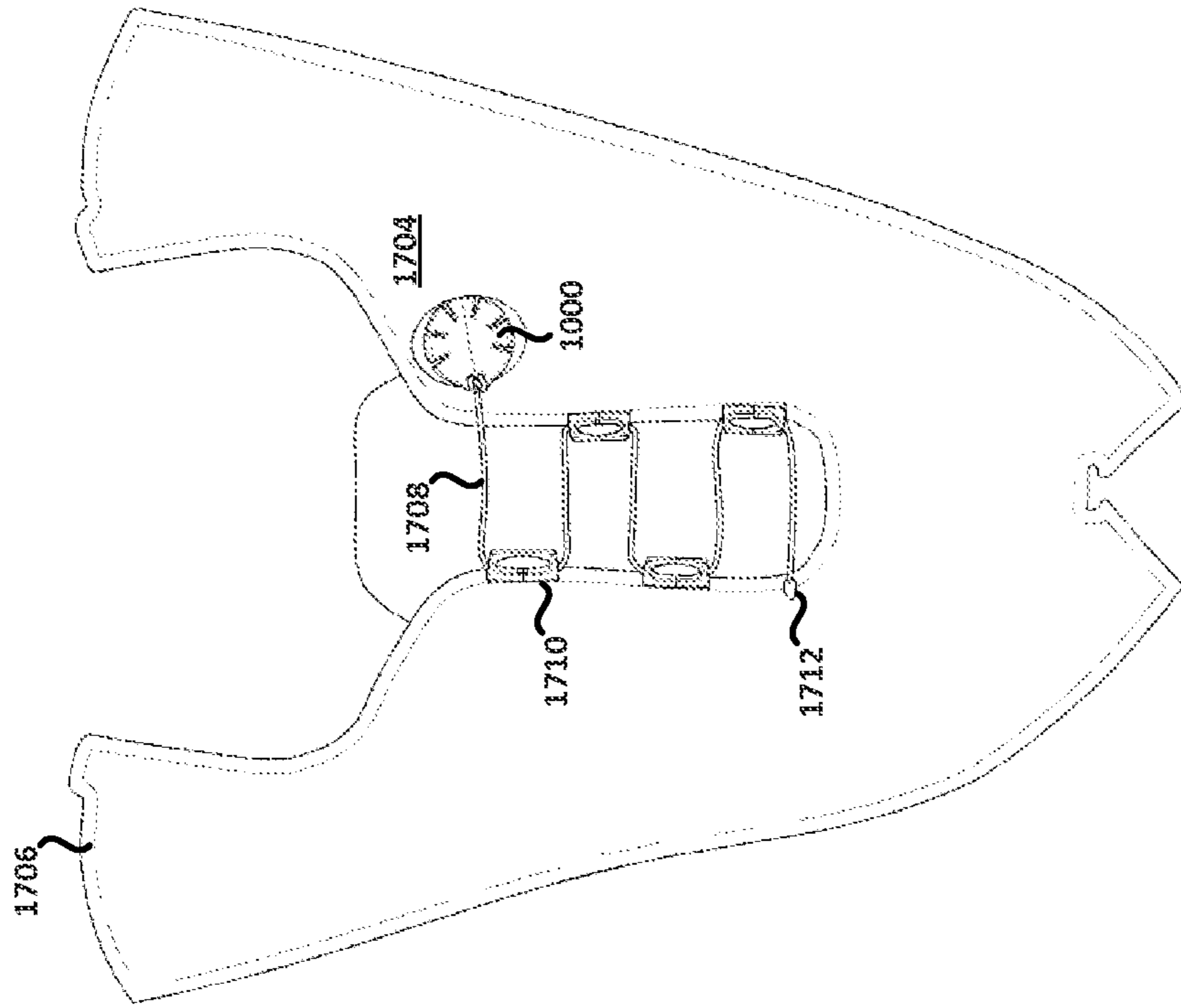


FIG. 17

1702

1802

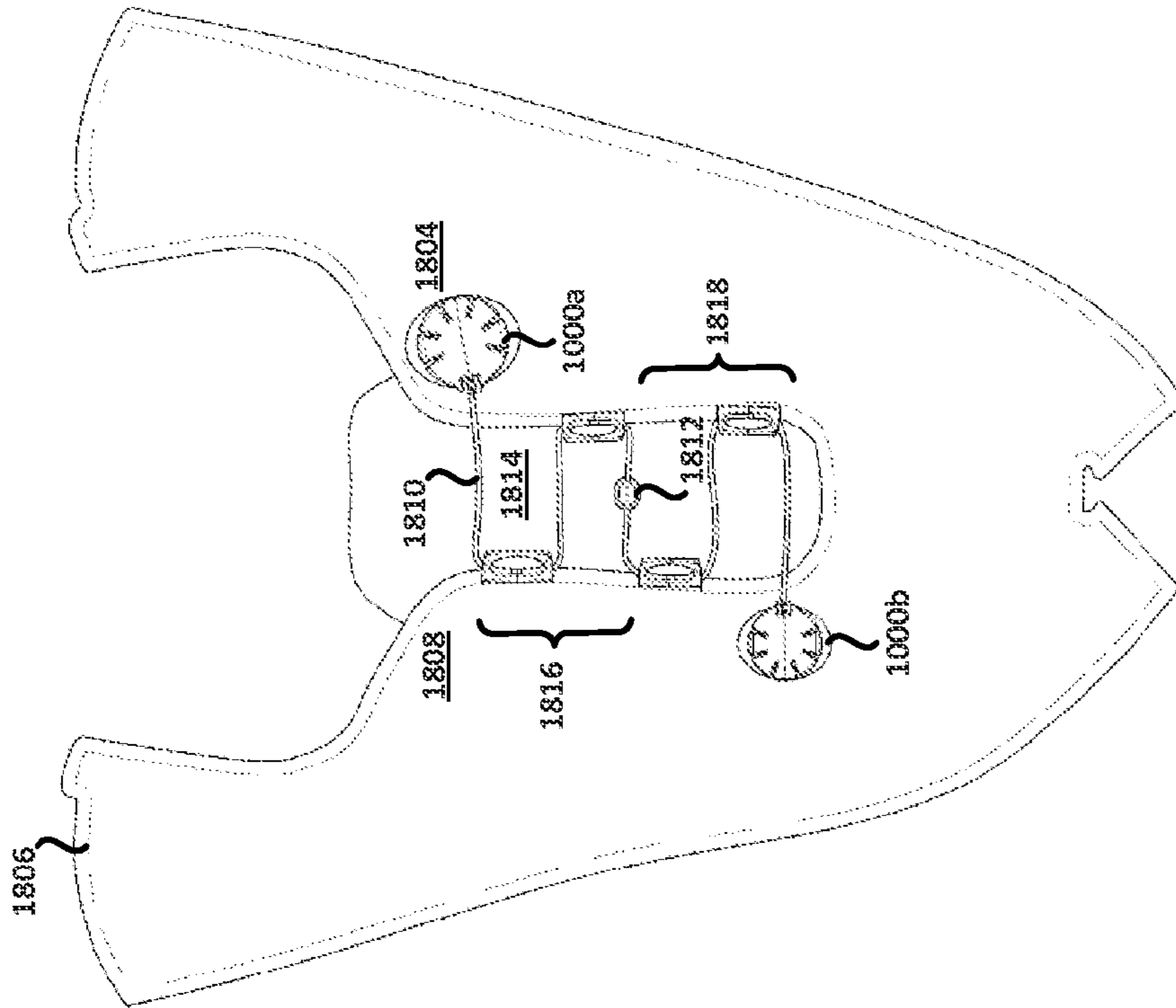


FIG. 18

1902

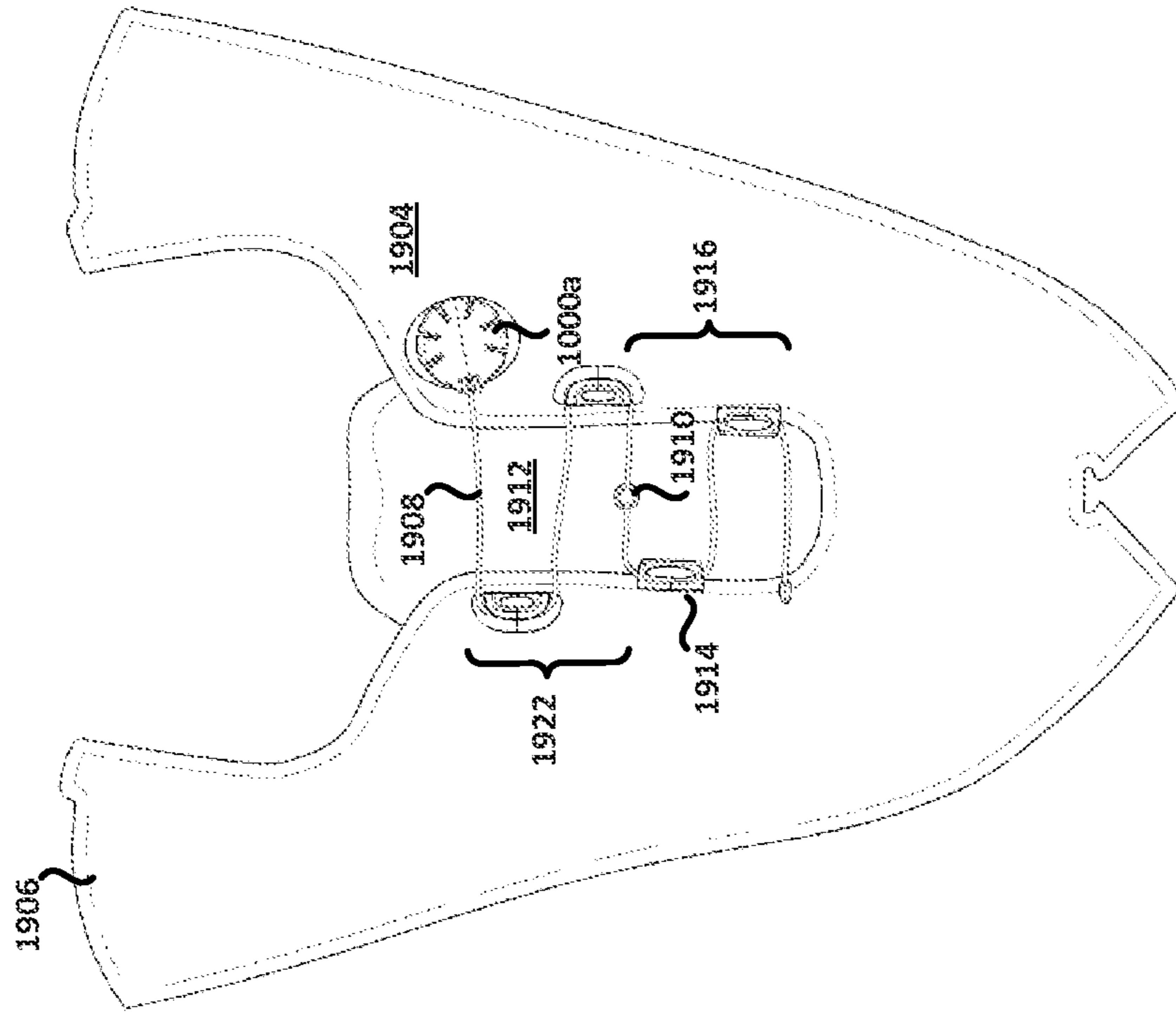


FIG. 19A

1902

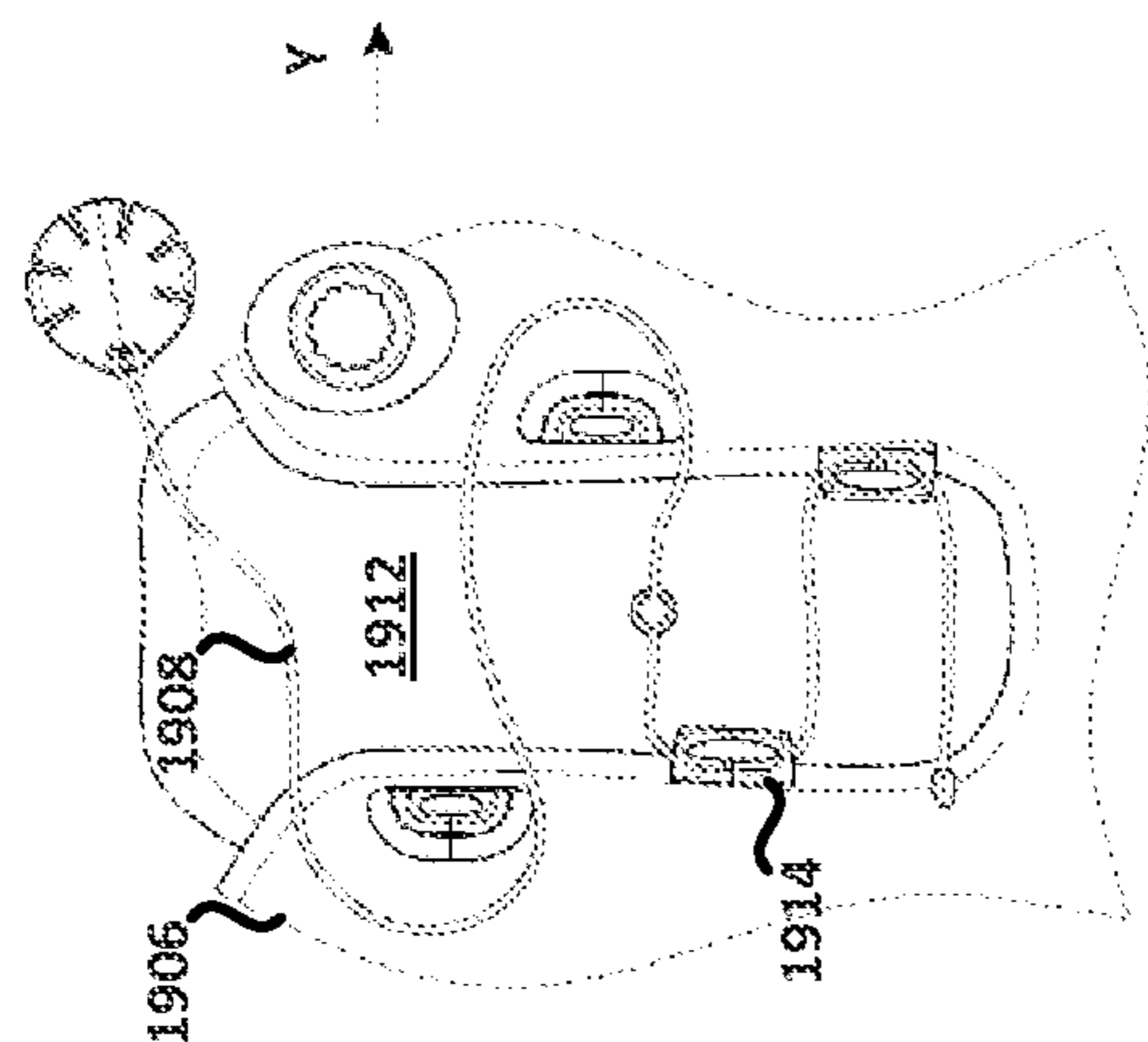


FIG. 19B

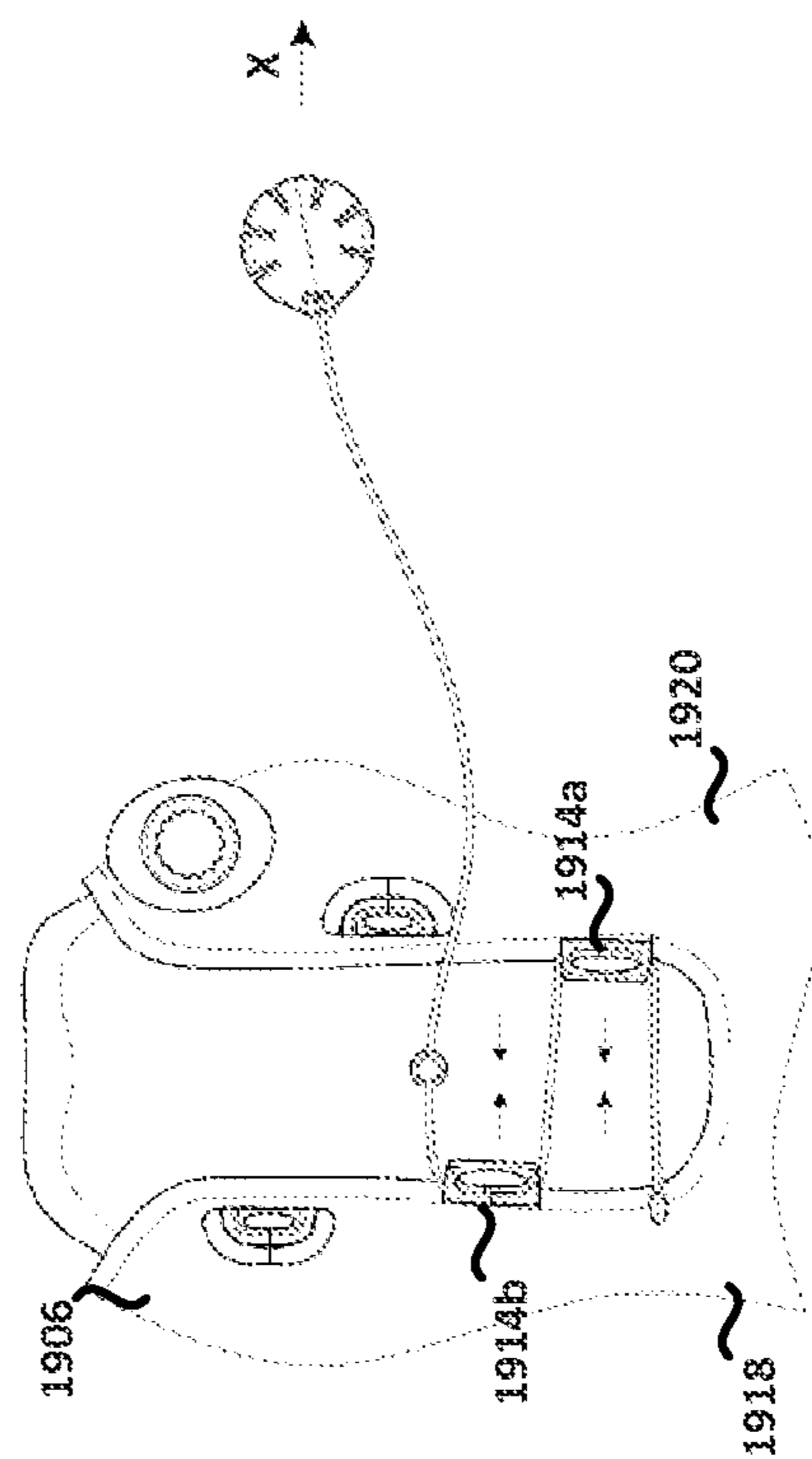


FIG. 19C

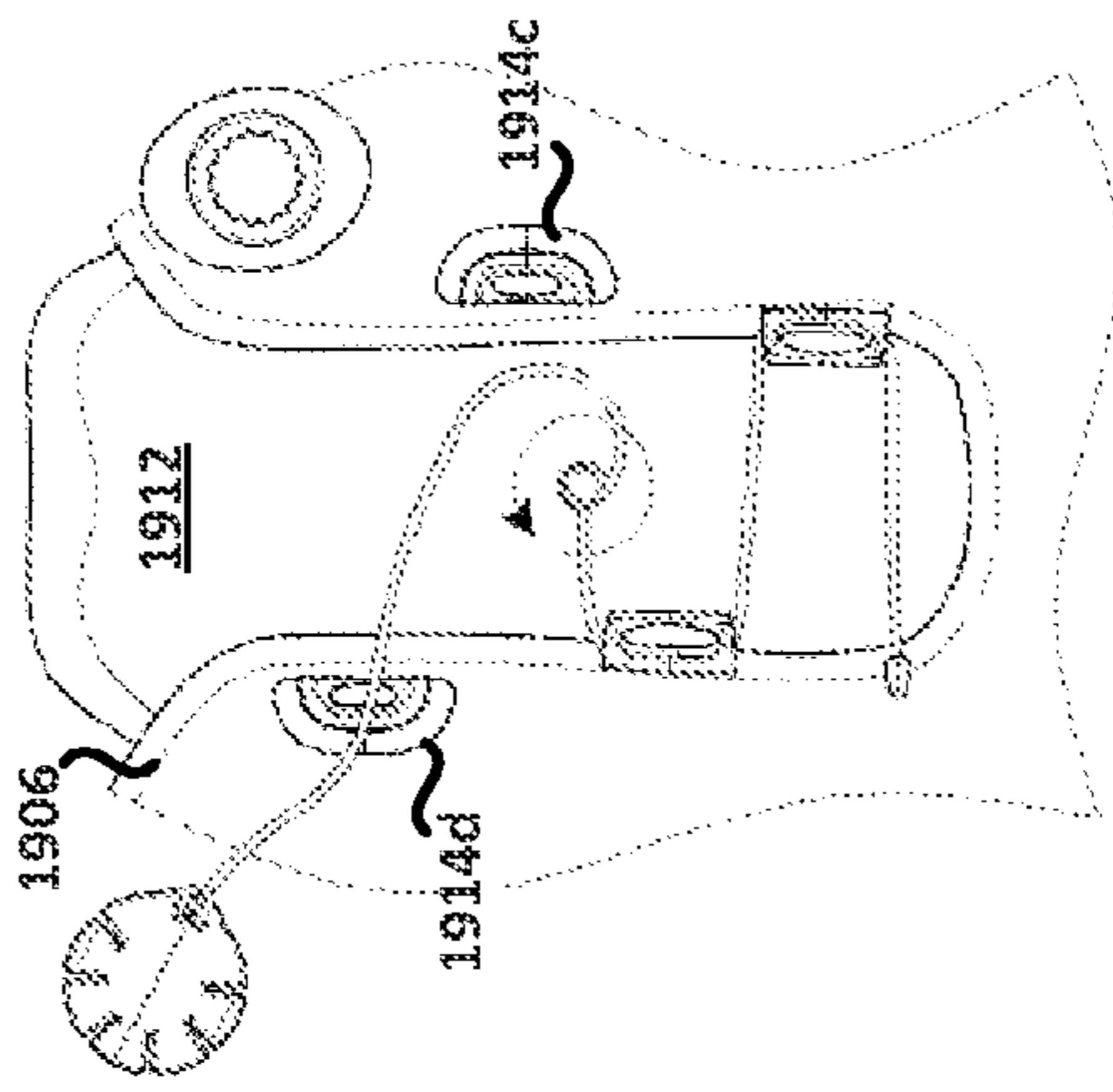


FIG. 19D

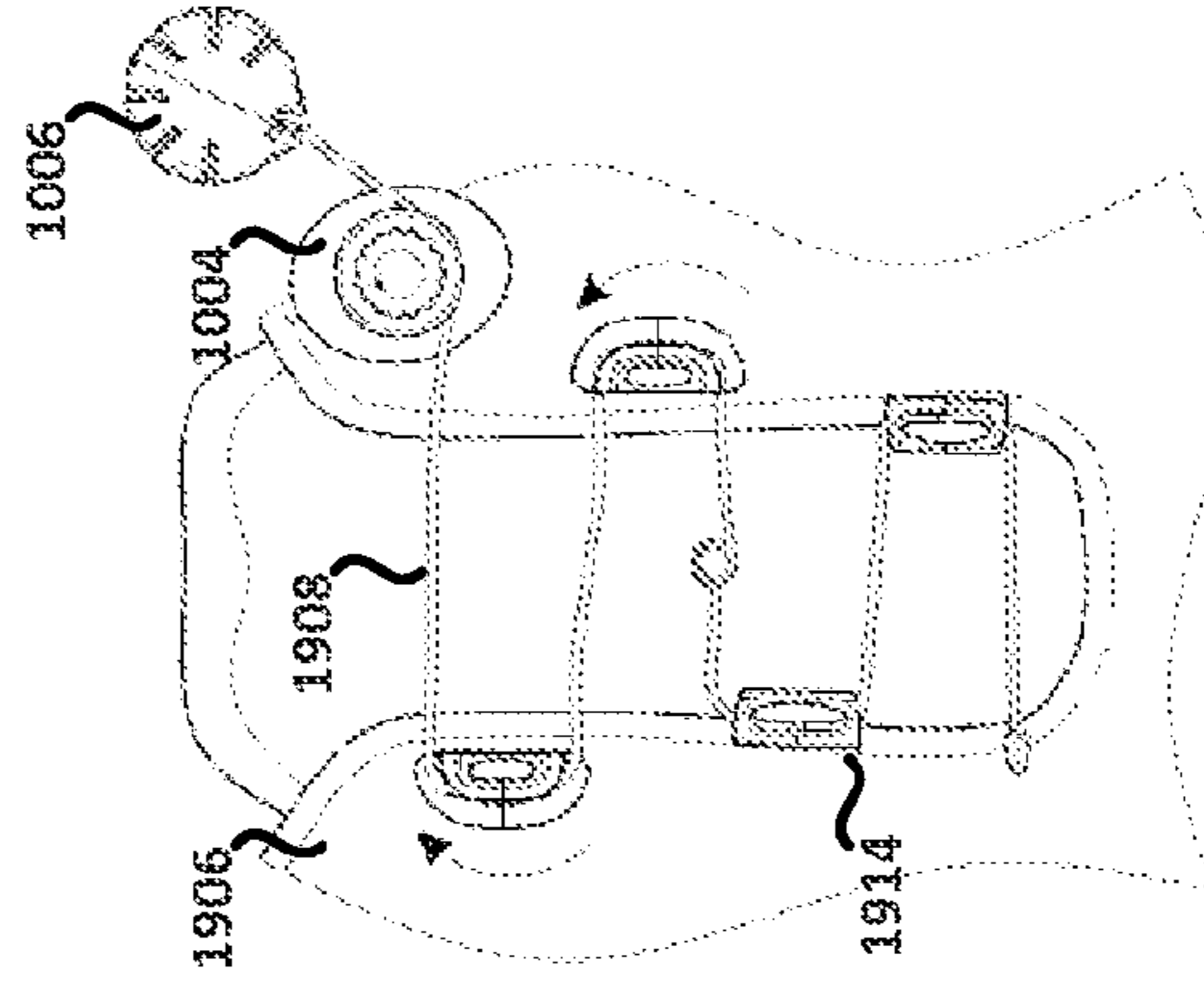


FIG. 19E

1902

2002

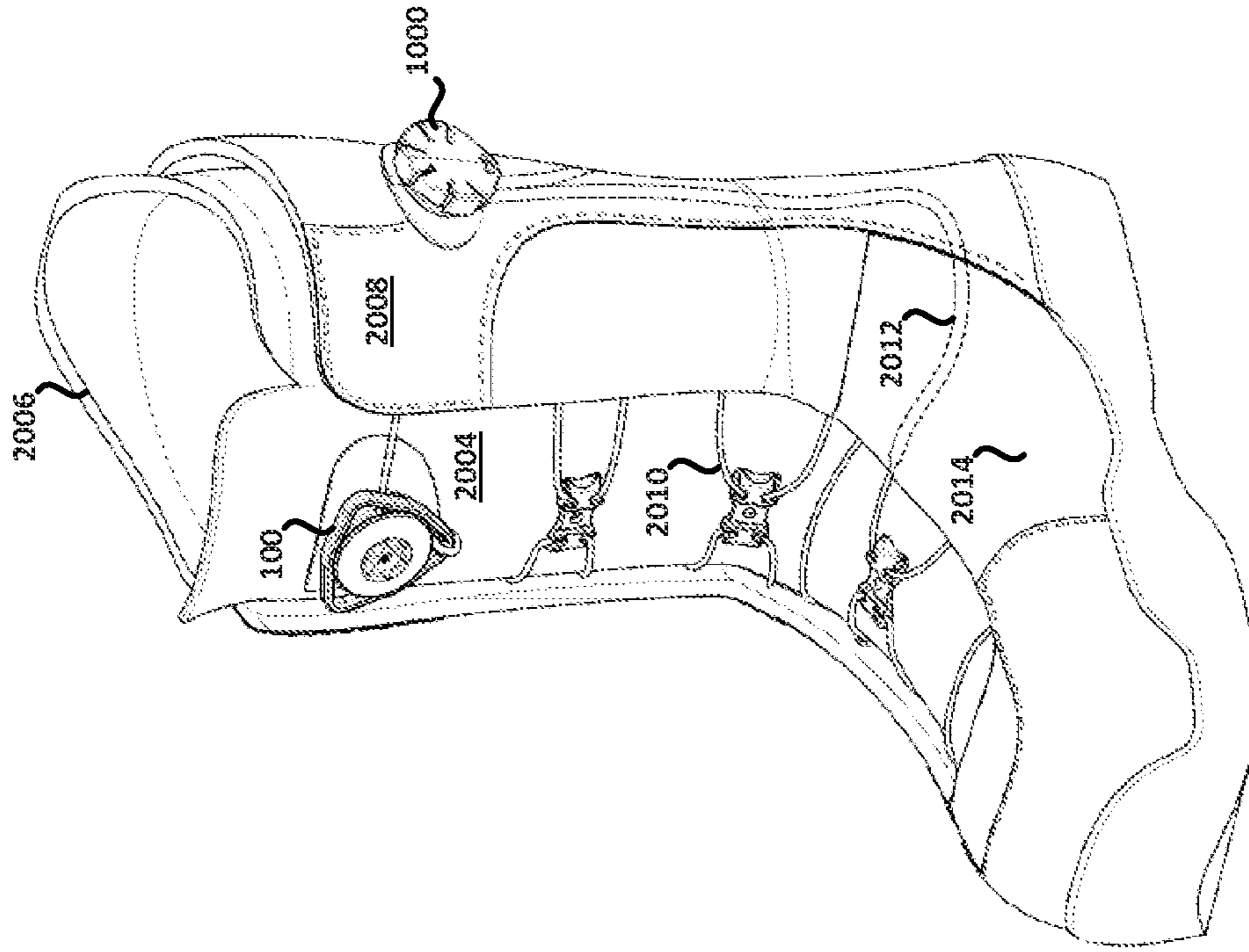


FIG. 20

2102

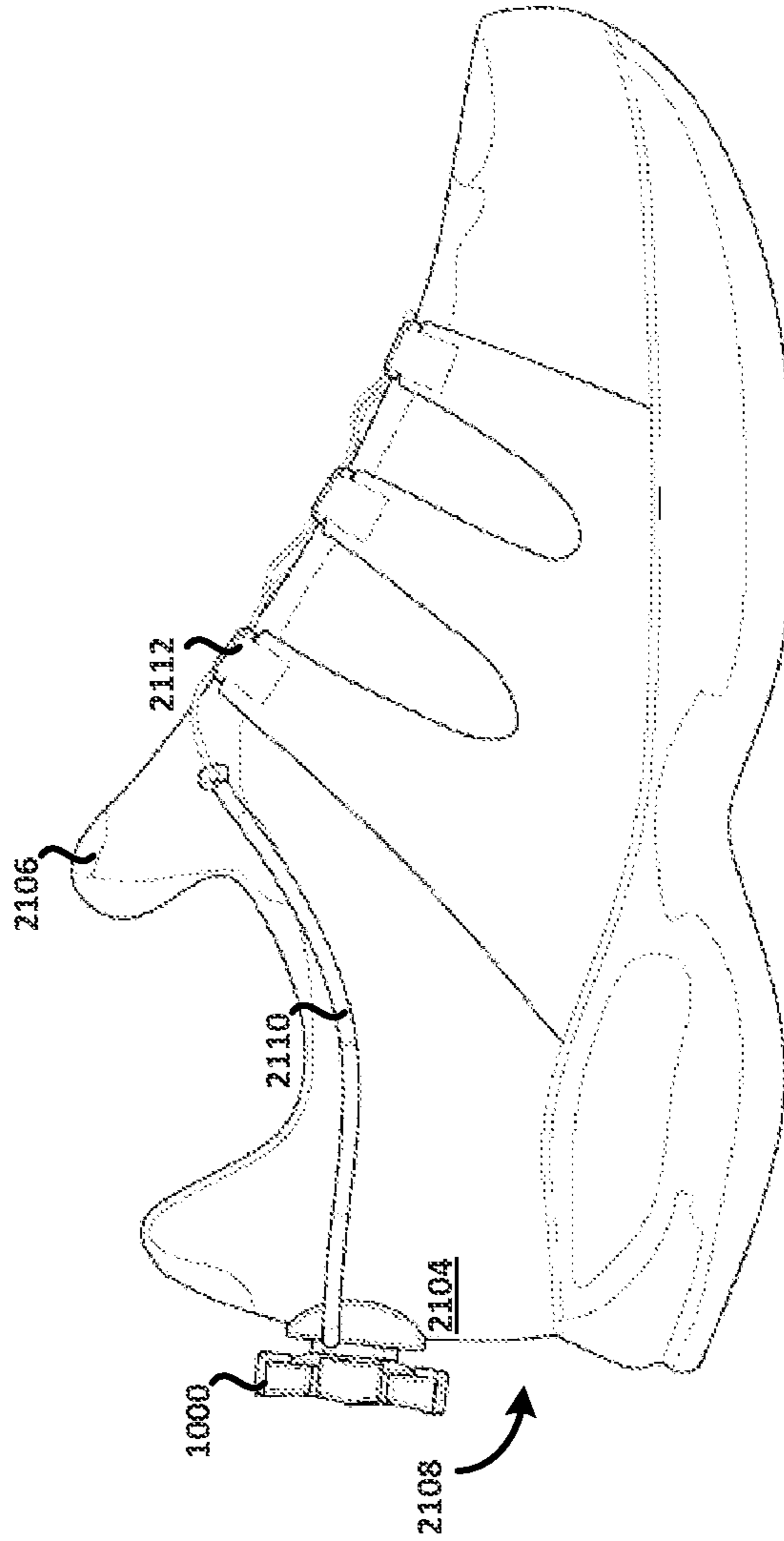


FIG. 21

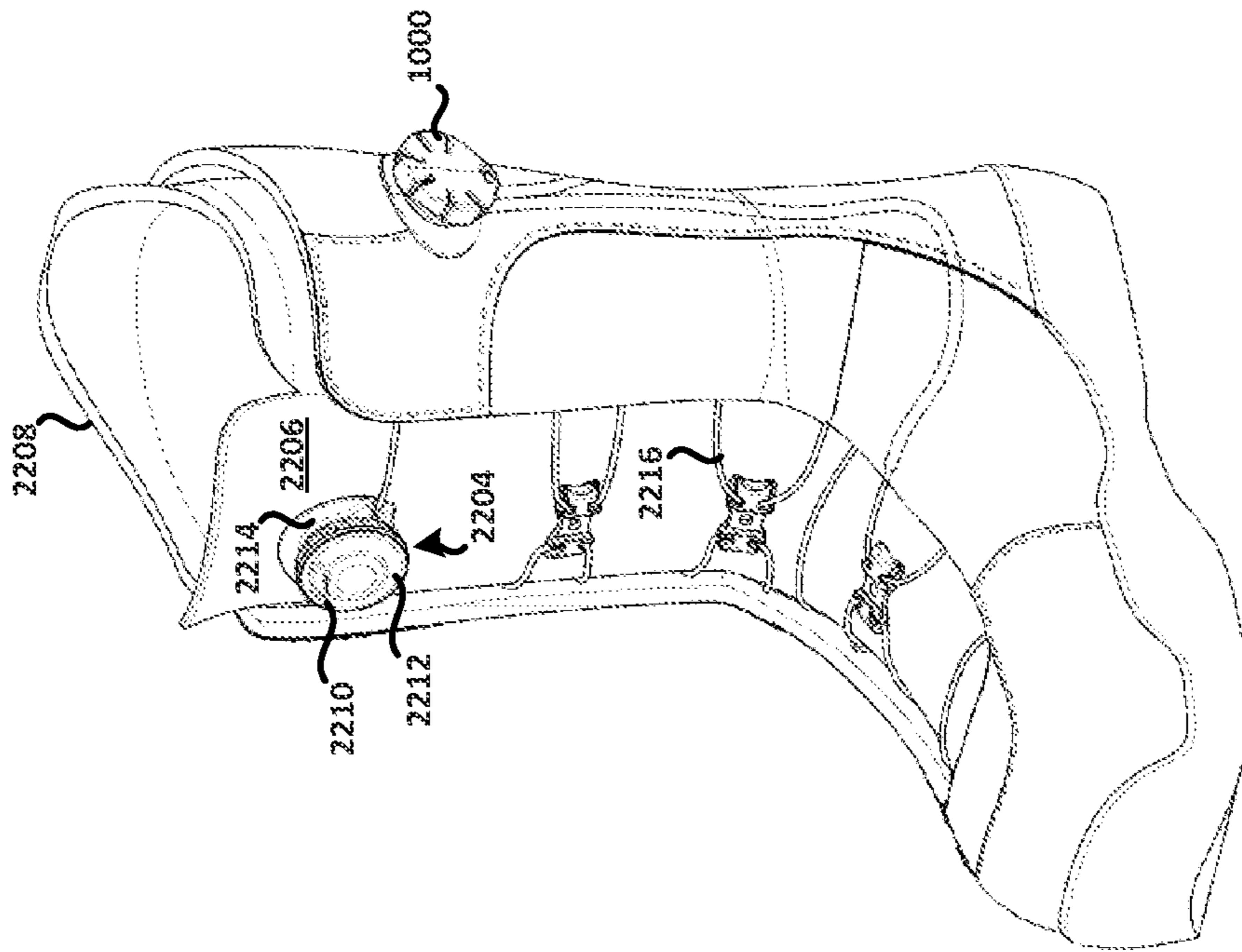


FIG. 22

2202

2300

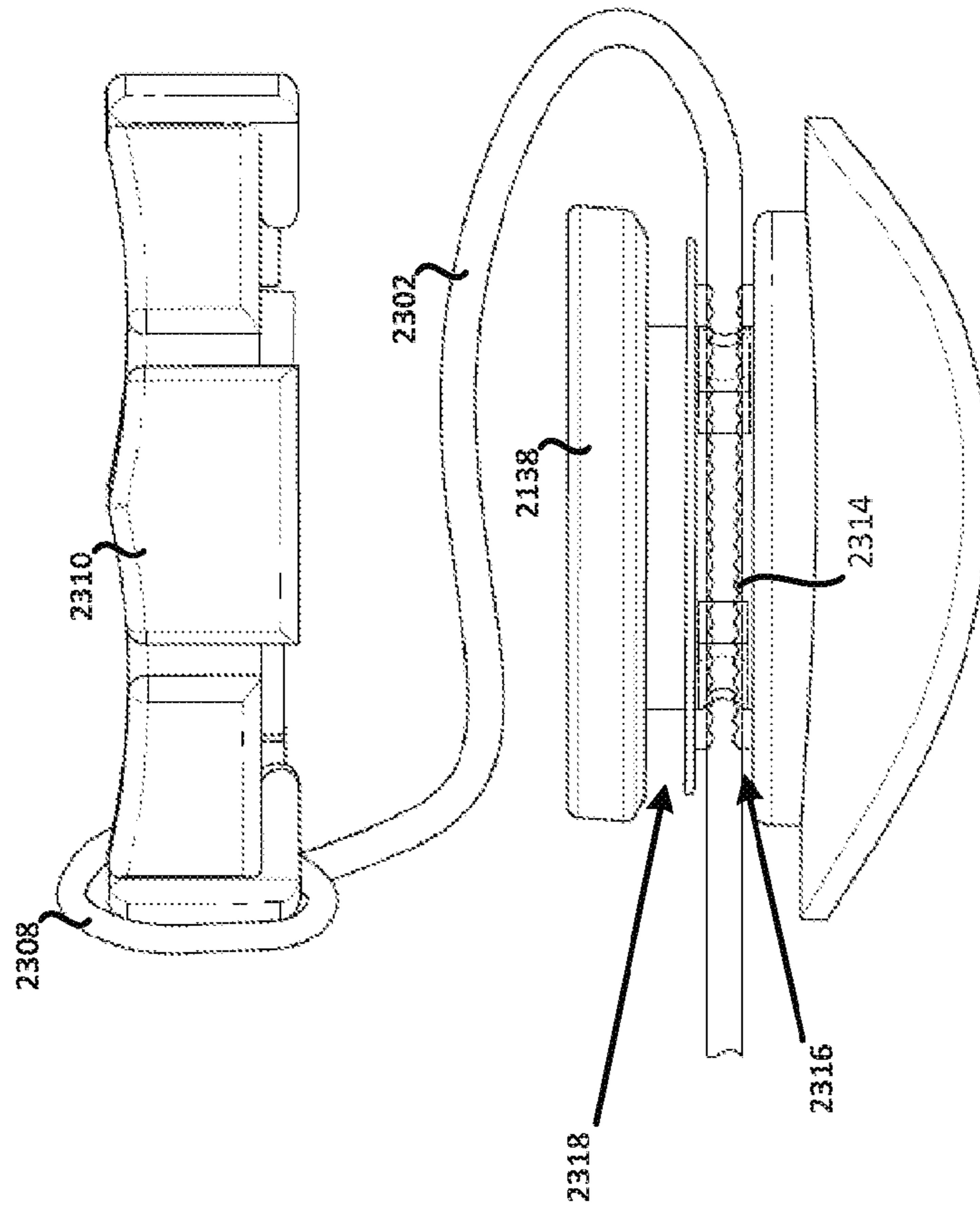


FIG. 23A

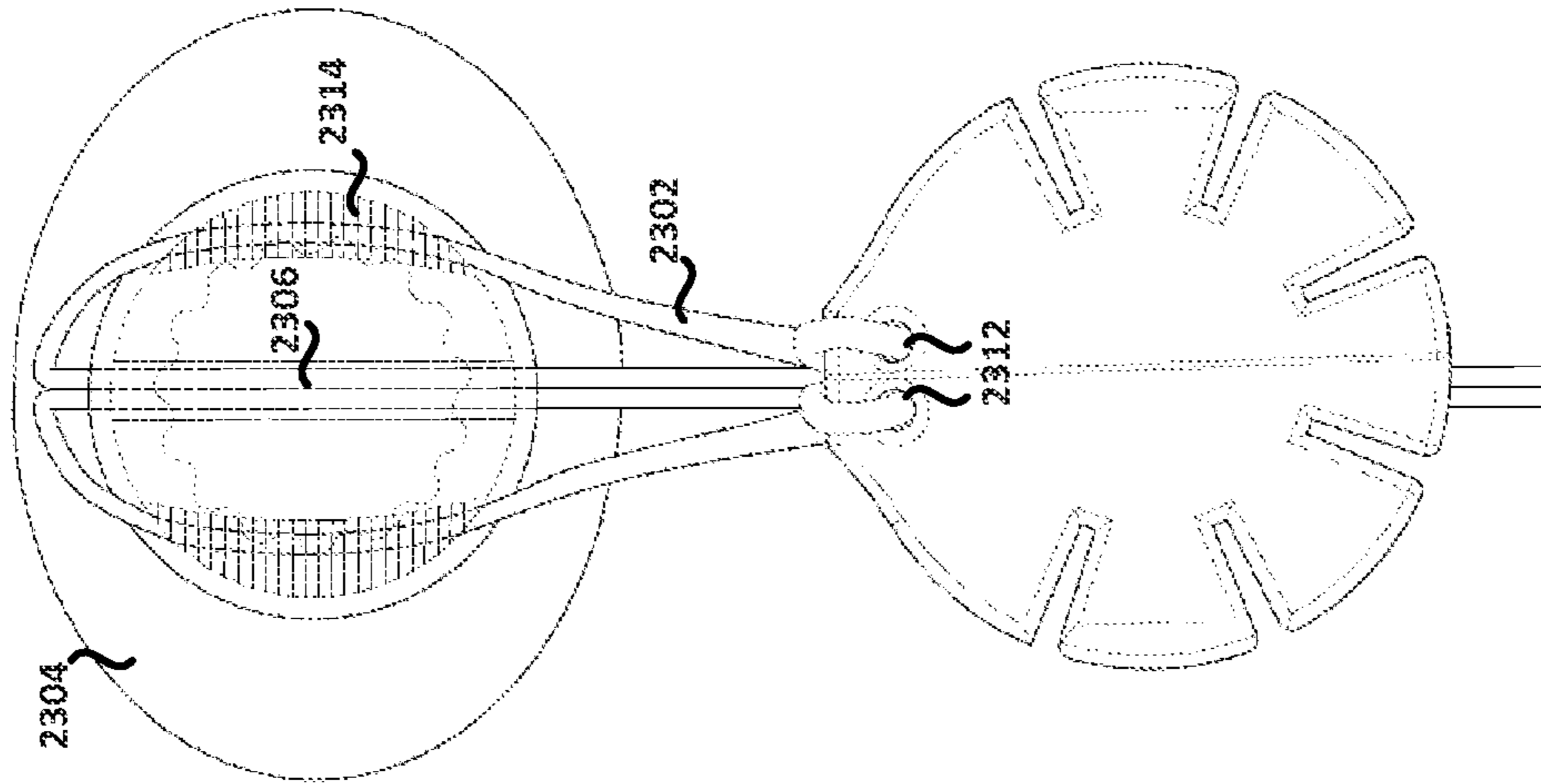


FIG. 23B

2300

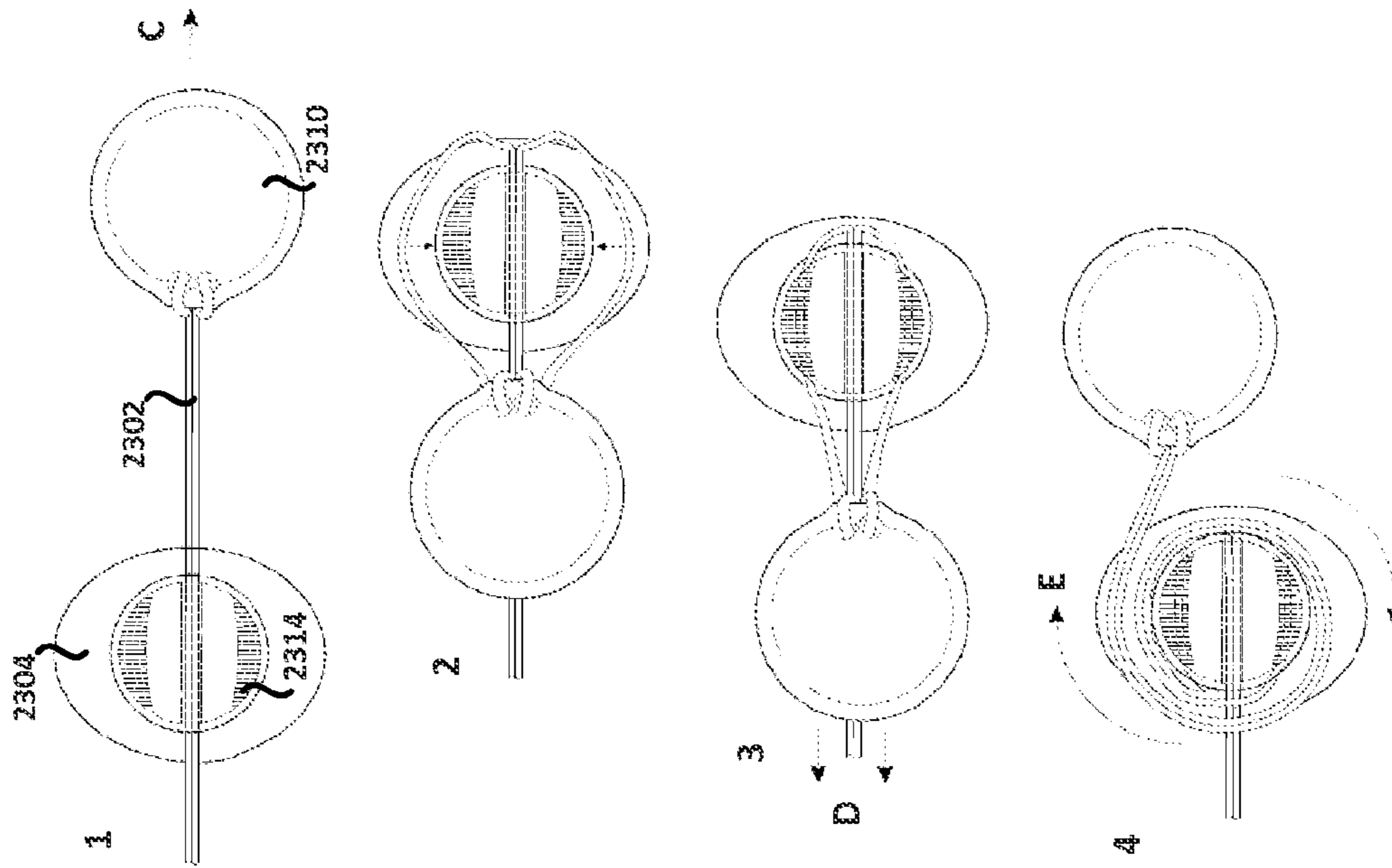


FIG. 23C

2300

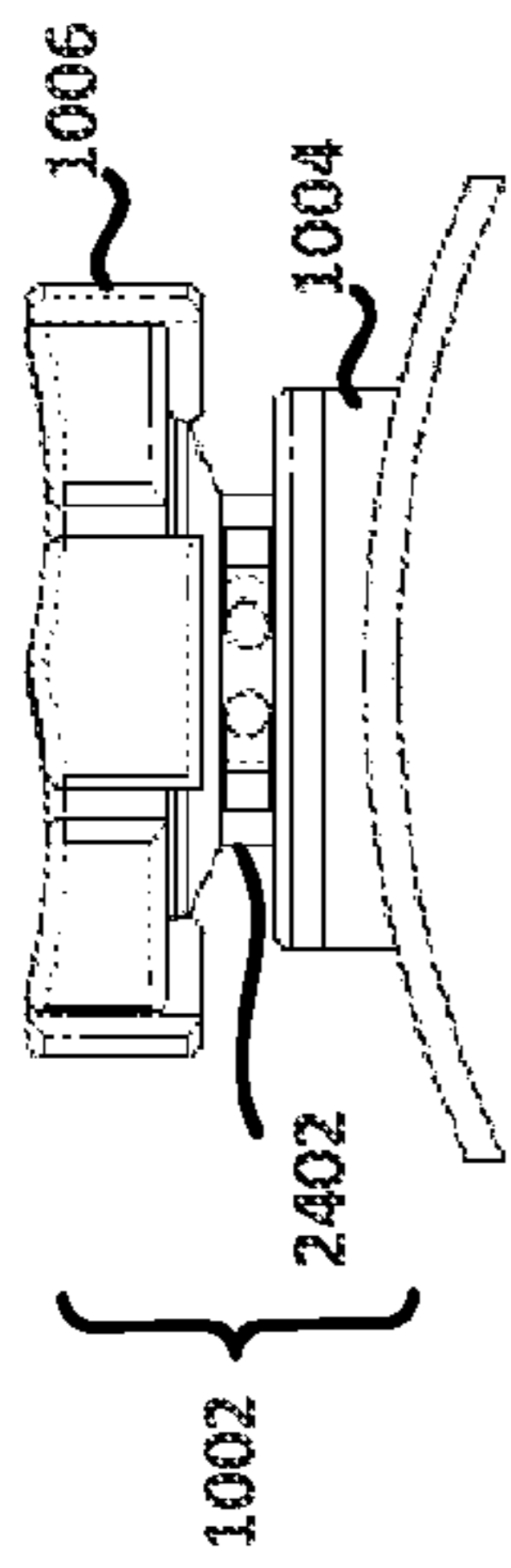


FIG. 24A

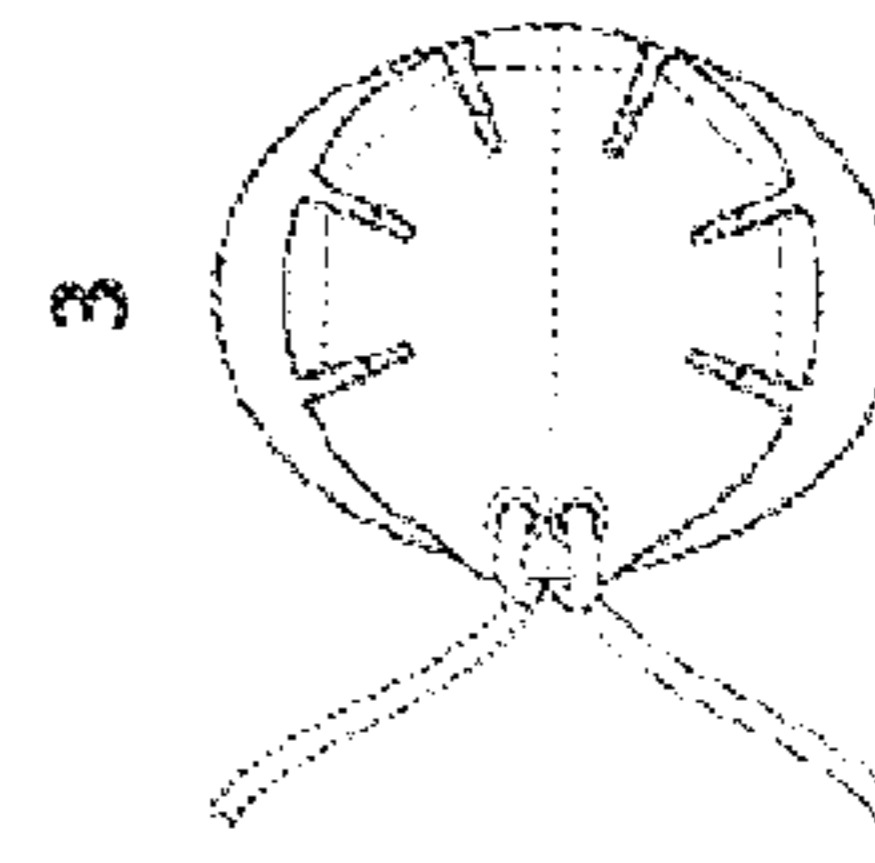
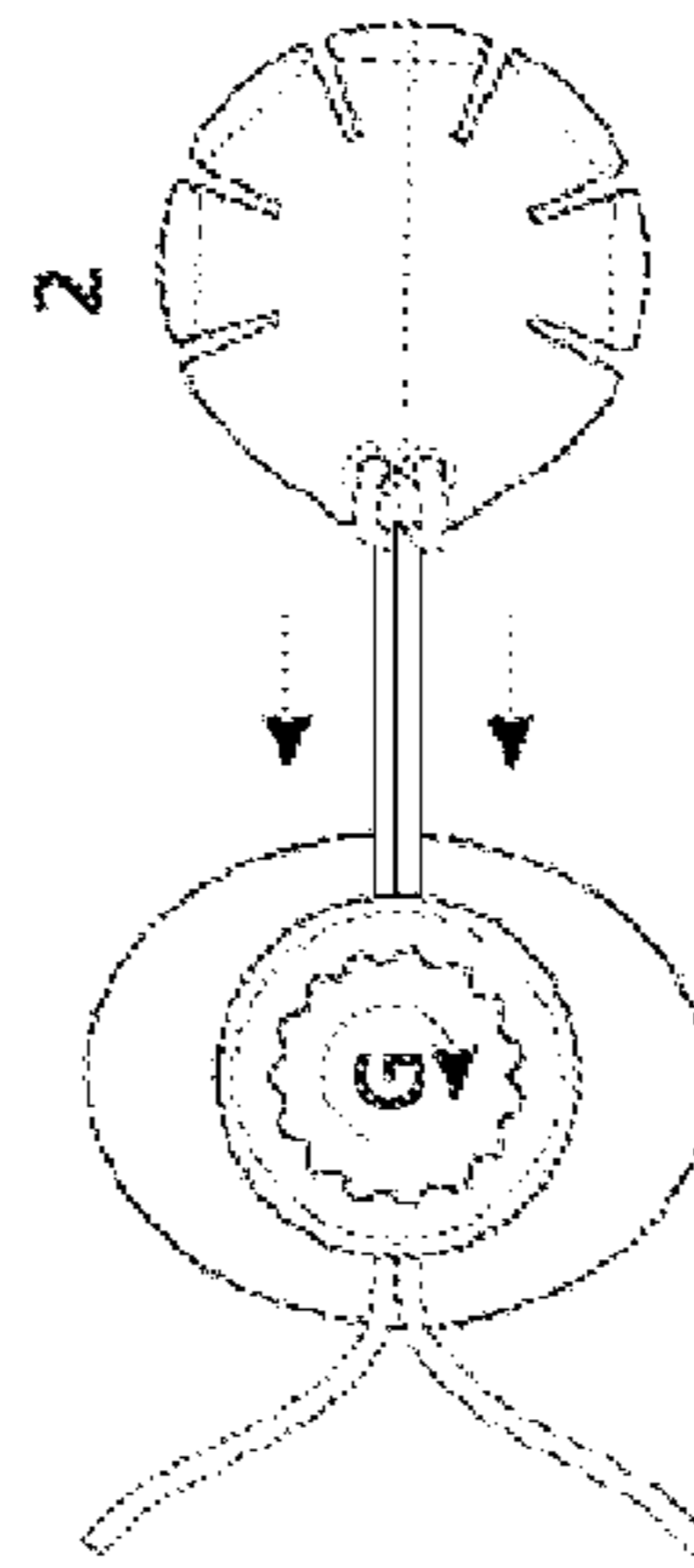
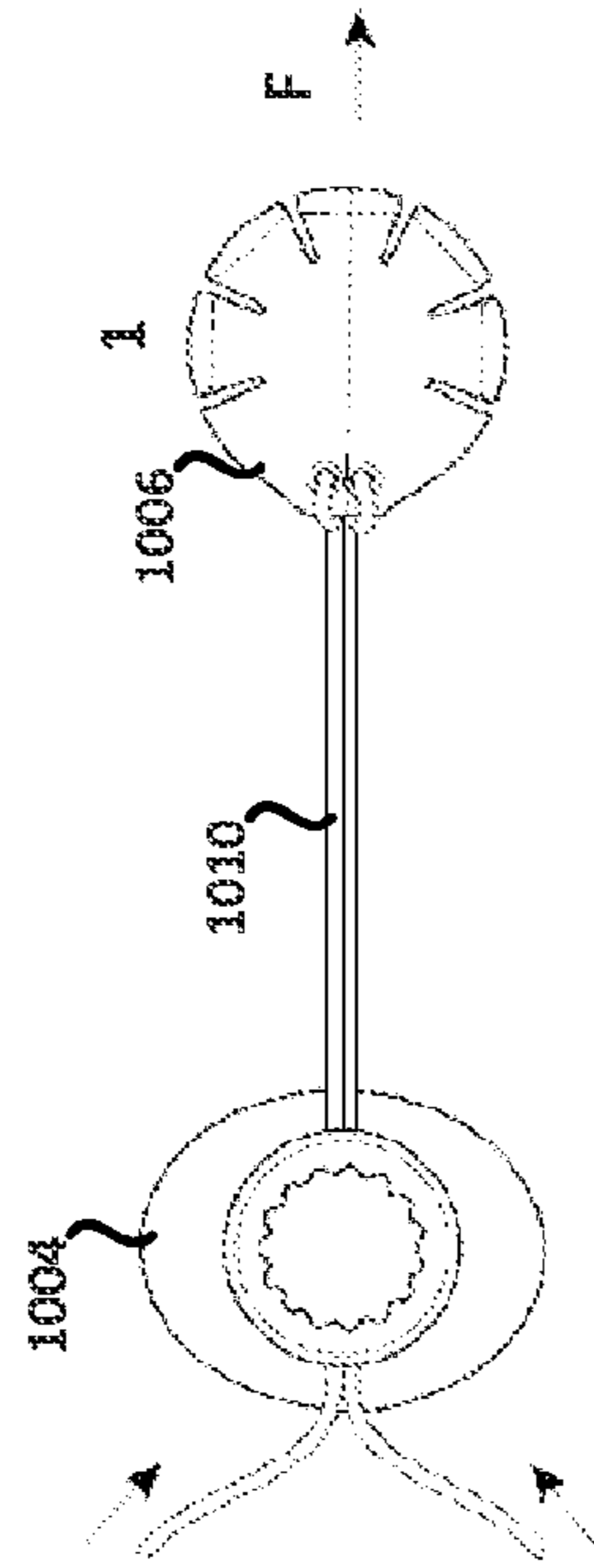


FIG. 24B

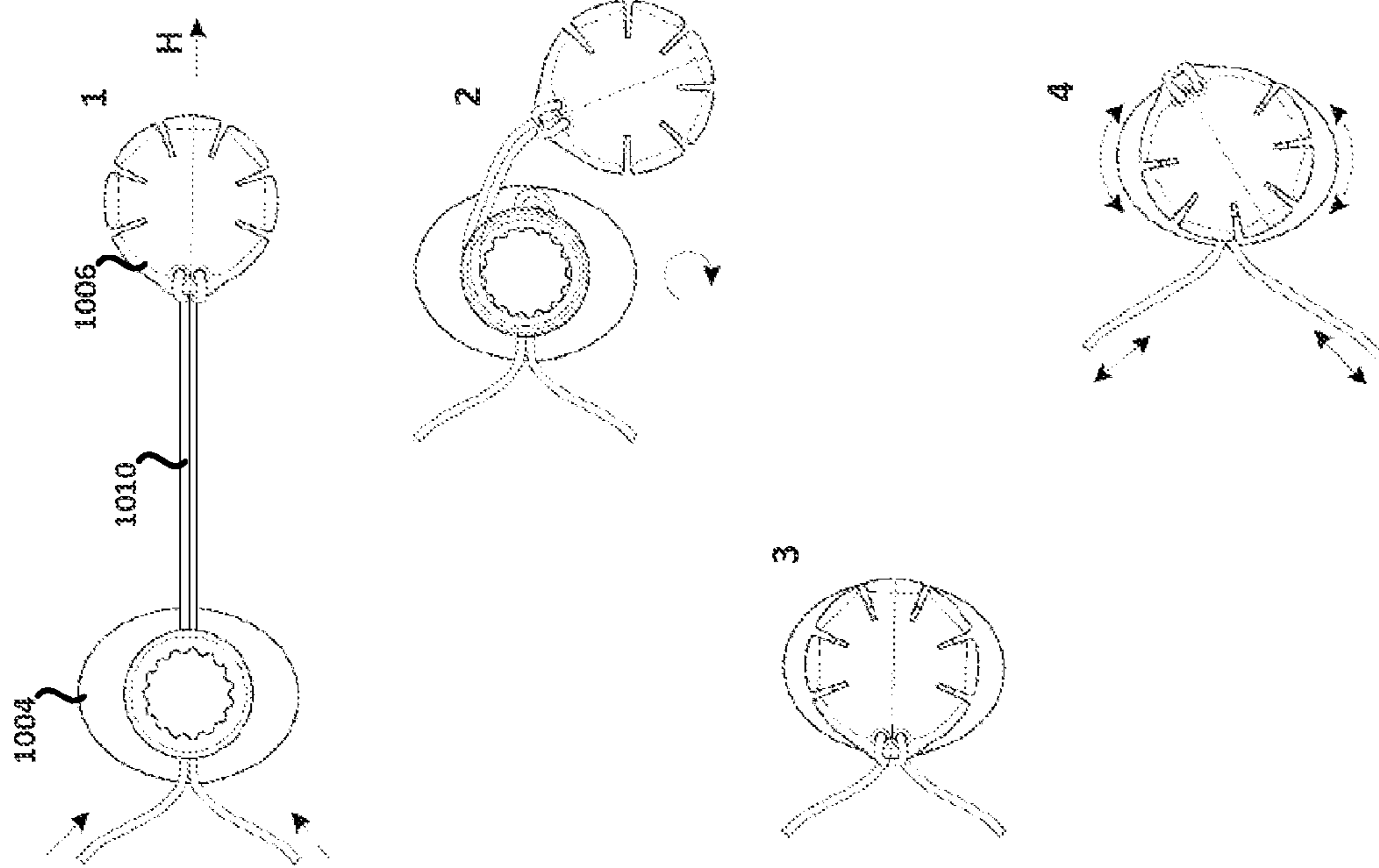


FIG. 25

LACE FIXATION ASSEMBLY AND SYSTEM

Matter enclosed in heavy brackets [] appears in the original patent but forms no part of this reissue specification; matter printed in italics indicates the additions made by reissue; a claim printed with strikethrough indicates that the claim was canceled, disclaimed, or held invalid by a prior post-patent action or proceeding.

CROSS-REFERENCE TO RELATED APPLICATION

This application is a reissue application of U.S. Pat. No. 9,439,477, which is U.S. application Ser. No. 14/166,799, filed Jan. 28, 2014, entitled "LACE FIXATION ASSEMBLY AND SYSTEM," which claims the benefit of U.S. Provisional Patent Application No. 61/757,692, filed Jan. 28, 2013, entitled LACE FIXATION SYSTEM WITH LOW FRICTION GUIDES, the entirety of which is incorporated by reference for all purposes.

More than one reissue application has been filed for the reissue of U.S. Pat. No. 9,439,477. The reissue applications are U.S. application Ser. No. 16/130,943 (the present application) and U.S. application Ser. No. 16/826,105 and U.S. application Ser. No. 16/826,150, which are divisional reissues of U.S. Pat. No. 9,439,477.

SUMMARY

Various lace fixation assemblies and systems beneficial to both manufacturers and users. In particular, the lace fixation assemblies and systems of the present disclosure may provide an easy to understand and easy to use means of adjusting and securing the closure of an article of footwear or other item. The lace fixation assemblies and systems of the present disclosure may further allow the use of small-diameter, low-friction lace material that does not require gripping by hand to secure or tighten. The lace fixation assemblies and systems of the present disclosure may further provide a convenient means to store excess lace after tightening while allowing quick and easy release and refastening of the fixation for secondary tension adjustment. The lace fixation assemblies and systems of the present disclosure may further be of a design and material such as plastic or other synthetic material that is economical to produce and to incorporate into existing manufacturing methods.

For example, in a first aspect, a lacing system for tightening an article is disclosed. The lacing system may include or comprise a fixation member coupled to the article, the fixation member having at least one entry aperture and an exit aperture with a lumen extending therebetween, the fixation member also having a spool with a fixation post. In this example, the fixation member may be rigidly fastened to the article. The lumen may include or comprise of a passage, a cavity, a tube structure, or the like. Further, the spool may include or comprise of a flanged cylinder whereby an element may be wound around or to the post. Other embodiments are possible.

The lacing system may further include or comprise a tension member having an intermediate portion slidably disposed within the lumen of the fixation member such that a proximal portion of the tension member is positioned on a proximal side of the fixation member and a distal portion of the tension member is positioned on a distal side of the fixation member and such that a length of the proximal portion and a length of the distal portion is adjustable via

sliding of the tension member within the lumen. In this example, the tension member may include or comprise a lace or lacing that has a particular diameter. The tension member may generally be laced to the fixation member, and a length of the tension member protruding or exiting from the fixation member may be adjusted as desired. Other embodiments are possible.

The lacing system may further include or comprise a plurality of guide members coupled to the article on the proximal side of the fixation member to guide the proximal portion of the tension member along the article to the fixation member. In this example, the tension member may generally be laced to each of the plurality of guide members. Other embodiments are possible. The lacing system may further include or comprise a tensioning component coupled to the distal portion of the tension member to effect sliding of the tension member within the lumen and thereby tighten the article by adjusting the length of the proximal portion of the tension member, and to maintain a tightness of the article by winding of the tension member about the fixation post, wherein the tensioning component is securable to the spool of the fixation member. In this example, the tension member together with other elements or features of the example lacing system may be used to tighten the article whereby the tension may be stored to the spool. Other embodiments are possible.

Additionally, or alternatively, the fixation member of the lacing system may include a flange shaped complementary to the panel. Additionally, or alternatively, the lumen of the lacing system may extend between the entry aperture and the exit apertures in an arcuate configuration, so that the lumen may be guided through the fixation member in a gentle manner with minimized frictional resistance. Additionally, or alternatively, the plurality of guide members the lacing system may be configured to direct lacing along the panel of the article with or without overlap to the at least one lacing entry aperture and through the lacing exit aperture. Such a feature may be selected as desired and may be implementation-specific. Additionally, or alternatively, the tensioning component of the lacing system may be a ring-shaped element that may be snap-fit coupleable to the spool protrusion. Additionally, or alternatively, the spool protrusion and the tensioning component of the lacing system may each comprise a plurality of traction members that when engaged inhibit rotation of the tensioning component when the tensioning component is secured to the spool protrusion. Such a feature may prevent unwanted or undesired loosening of the tension member when the tensioning component is positioned to the spool protrusion. Other embodiments are possible.

In another aspect, a lacing system for tightening an article is disclosed. The lacing system may include or comprise first plate coupleable to a first panel of the article and defining at least one lacing entry aperture, a lacing exit aperture, and a keyed protrusion that is positioned to a complementary recess of a second plate of the lacing system to form a groove with a lacing fixation post. In this example, the keyed protrusion and complementary recess may facilitate secure coupling of the first plate with the second plate. Other embodiments are possible. The lacing system may further include or comprise a lacing tensioner coupleable to lacing protruding from the lacing exit aperture and to a periphery of the groove so that the lacing tensioner is securable to the groove when lacing protruding from the lacing exit aperture is wound to the lacing fixation post for tightening the article by pulling together a second panel and a third panel of the article. Other embodiments are possible.

3

Additionally, or alternatively, the first plate of the lacing system may further define a first plurality of ridged flutes extending radially from the keyed protrusion in a spoke pattern, and the second plate further defining a second plurality of ridged flutes extending radially from the recess in the spoke pattern and offset the first plurality of ridged flutes. Such a feature may maintain lacing tension when lacing protruding from the lacing exit aperture is wound to the lacing fixation post for tightening the article. Additionally, or alternatively, the lacing system may include a plurality of lacing guide members coupleable to the first panel to direct lacing along the first panel to the at least one lacing entry aperture and through the lacing exit aperture. Additionally, or alternatively, the lacing system may include a fastener positioned through an aperture of the keyed protrusion and an aperture of the recess to rigidly secure the keyed protrusion to the recess. Other embodiments are possible.

In another aspect, a method for tightening an article using a lacing system is disclosed. The lacing system may include one or more of the features: a fixation member coupled to the article, the fixation member having at least one entry aperture and an exit aperture with a lumen extending therebetween, and also having a spool with a fixation post; a tension member having an intermediate portion slidably disposed within the lumen of the fixation member so that a proximal portion of the tension member is positioned on a proximal side of the fixation member and a distal portion of the tension member is positioned on a distal side of the fixation member; a plurality of guide members coupled to the article on the proximal side of the fixation member to guide the proximal portion of the tension member along/about the article to the fixation member; and a tensioning component coupled to the distal portion of the tension member. Further, the method may include or comprise tensioning the tension member via the tensioning component to effect sliding of the tension member within the lumen and thereby tighten the article by shortening the length of the proximal portion of the tension member. The method may further include or comprise winding the tension member about the fixation post via the tensioning component to maintain a tightness of the article, wherein the tensioning component is securable to the spool of the fixation member.

Additionally, or alternatively, the method may include or comprise securing the tensioning component to the spool of the fixation member. Such a feature may allow for storage of the tensioning component when not in use. Additionally, or alternatively, the method may include or comprise positioning the tension member to the lumen of the fixation member to lace the tension member to the fixation member. Additionally, or alternatively, the method may include or comprise positioning the tension member to the plurality of guide members to lace the tension member to the plurality of guide members with or without overlap of the tension member. Additionally, or alternatively, the method may include or comprise positioning the tension member to the tensioning component to couple the tension member to the tensioning component. Additionally, or alternatively, the method may include or comprise winding the tension member within a gap about the fixation post that includes a plurality of radially offset ridged flutes to engage and maintain tension to the tension member. Additionally, or alternatively, the method may include or comprise winding excess length of the tension member within a gap about the fixation post to store the excess length of tension member about the fixation post. Other embodiments are possible.

4

Although not so limited, an appreciation of the various aspects of the present disclosure along with associated benefits and/or advantages may be gained from the following discussion in connection with the drawings.

DESCRIPTION OF THE DRAWINGS

FIG. 1 shows a first lace fixation assembly.

FIG. 2 shows a first plate of the assembly of FIG. 1.

FIG. 3 show a first view of a first and second plate of the assembly of FIG. 1.

FIG. 4 shows a second plate of the assembly of FIG. 1.

FIG. 5 show a second view of a first and second plate of the assembly of FIG. 1.

FIG. 6 shows a tensioning component of the assembly of FIG. 1.

FIGS. 7A-C show various views of a guide member of a first lace fixation system.

FIGS. 8A-C show various views of a first lace fixation system.

FIG. 9 shows a view of another lace fixation system.

FIGS. 10A-D show various views of a second lace fixation assembly.

FIGS. 11A-C show various exploded views of the assembly of FIG. 9.

FIGS. 12A-C show multiple embodiments of the assembly of FIG. 9.

FIG. 13 shows a first cross-section A-A of the assembly of FIG. 9.

FIG. 14 shows a second cross-section B-B of the assembly of FIG. 9.

FIG. 15 shows a view of still another lace fixation system.

FIGS. 16A-B show various views of still another lace fixation system.

FIG. 17 shows a view of still another lace fixation system.

FIG. 18 shows a view of still another lace fixation system.

FIGS. 19A-E show various views of still another lace fixation system.

FIG. 20 shows a view of still another lace fixation system.

FIG. 21 shows a view of still another lace fixation system.

FIG. 22 shows a view of still another lace fixation system.

FIGS. 23A-C show various views of a third lace fixation assembly.

FIGS. 24A-B show various views of a fourth lace fixation assembly.

FIG. 25 shows various views of a fifth lace fixation assembly.

In the appended figures, similar components and/or features may have the same numerical reference label. Further, various components of the same type may be distinguished by following the reference label by a letter that distinguishes among the similar components and/or features. If only the first numerical reference label is used in the specification, the description is applicable to any one of the similar components and/or features having the same first numerical reference label irrespective of the letter suffix.

DETAILED DESCRIPTION

Different methods for closing or tightening shoes or boots and other flexible or semi-rigid panels have evolved over the years. Conventional laces whether led through metal eyelets, webbing loops, or low friction guides, have stood the test of time and remain popular. Mechanical systems using rotary dials, serrated grip surfaces and other designs may provide alternatives to knot-secured laces. Hook and loop engagements as well as elastic straps may also serve well in some

applications. Currently available designs though present certain drawbacks. For example, conventional laces require the tying of a knot to secure the tightened adjustment, which obligates the user to untie the knot before any secondary adjustment can be made, unless or until the knot loosens of its own accord, requiring retying. Conventional lace systems are also limited to the use of relatively large diameter laces that are comfortable to grip by hand, the opposite desired characteristics for low-profile, efficient and effective closure. Rotary dials and other mechanical systems eliminate the knot problem and can make use of small diameter laces, but tend to be expensive to manufacture, to the point that they can represent up to 50% of the cost of a given pair of footwear. Some knotless fixation systems self-store excess lace while others require excess lace to be gathered and placed into a pocket on the boot, which is an inconvenient and inelegant solution.

Given the harsh environment of daily use, often in climate extremes, mechanical system latching performance may also be problematic, often when a secure closure is needed most. Hook and loop and elastic systems also suffer performance loss in wet and/or freezing conditions, while being limited in the adjustment range and security of their closure. In addition to fixation issues, many lace systems suffer from excessive friction which can prevent the lace from exerting sufficient closure force in the area farthest from the point where tension is applied. This friction can have many causes including the lace material characteristic, the lace turning guides, the sliding of the lace over high friction surfaces, and also the points at which opposing laces cross over one another. In this aspect of lace function, the dilemma becomes one in which the more tension applied to tighten the closure, the more frictional force is created and the more difficult it becomes to obtain the desired closure. The present disclosure addresses these and other issues by providing a non-complex, inexpensive, non-mechanical, low-friction, knotless closure system with self-storage of excess lace.

For instance, referring now collectively to FIGS. 1-8, first lace fixation assembly 100 and first lace fixation system 102 are shown in accordance with the present disclosure. In general, first assembly 100 includes first plate 104, second plate 106, tensioning component 108, and fastener 110. FIG. 1 for example illustrates these respective components of first assembly 100 in an assembled configuration. First system 102 includes first assembly 100, guide members 112, and tension member 114. FIG. 8A for example shows these respective components of first system 102 in an assembled configuration. In the example embodiment, tension member 114 is laced through first plate 104 of first assembly 100 via arcuate slots 116 that guide ends of tension member 114 from entry apertures 118 to exit aperture 120. FIG. 2 for example illustrates entry apertures 118 and exit aperture 120, and FIG. 3 for example illustrates arcuate slots 116. Tension member 114 is further laced through guide members 112 via opposing grooves 122 so that tension member 114 does not overlap onto itself when laced thereto. Both first assembly 100, at least in part, and guide members 112 are coupled to front panel 124 of boot 126, and tensioning end 128 of tension member 114 is coupled to tensioning component 108 at notch 130 of tensioning component 108. FIGS. 8A-B for example illustrate coupling of first assembly 100 and guide members 112 to boot 126 as well as tension member 114 to tensioning component 108.

In practice, tightening of boot 126 is performed or perfected by application of pulling force to tensioning component 108, forcing first side panel 132 and second side panel 134 of boot 126 together. While maintaining pulling force,

tensioning component 108 is used to wrap tension member 114 into channel or groove 136 that is formed between first plate 104 and second plate 106. FIG. 5 for example illustrates groove 136 formed between first plate 104 and second plate 106. Here, initial wrapping of tension member 114 into groove 136 forces tension member 114 into friction gap 138 that has surfaces along the length of which imparts force on tension member 114 when positioned thereto so that tension is generally maintained on tension member 114 when pulling force is removed, as discussed further below. Further wrapping of tension member 114 into groove 136 forces portions of tension member 114 into storage gap 140. Storage gap 140 within groove 136 is therefore generally wider than friction gap 138 as storage gap 140 serves a different purpose than friction gap 138 in that it is used to store excess length of tension member 114. Tension member 114 as wrapped onto itself though within both friction gap 138 and storage gap 140 imparts force on itself when positioned thereto, so that tension is generally maintained on tension member 114 when pulling force is removed.

Wrapping of tension member 114 into groove 136 proceeds until length of tension member 114 protruding from exit aperture 120 is substantially wound into groove 136. Tensioning component 108 is then generally snap-coupled onto first assembly 100 at groove 136. Tensioning component 108 may be decoupled from first assembly 100 by application of leverage similar to that applied when opening a bottle having a cap, and may be used to unwind tension member 114 thereby loosening first side panel 132 and second side panel 134 of boot 126. First side panel 132 and/or second side panel 134 may then be opened to allow exit, or tension reapplied to tension member 114 as desired. Such an implementation may be beneficial or advantageous in many respects. For example, knotting of tension member 114 is not required, excess length of tension member 114 is stored to first assembly 100 without additional steps, and through the use of tensioning component 108, there is no need for a user to physically touch tension member 114. Still other benefits and/or advantages are possible as well.

Referring now specifically to FIGS. 1-6, first lace fixation assembly 100 is shown in accordance with the present disclosure. As mentioned above, first assembly 100 includes first plate 104, second plate 106, tensioning component 108, and fastener 110. When assembled, axle- or post-like keyed portion 142 formed on protrusion 144 of first plate 104, as shown for example in FIG. 2, is positioned to complementary recess 146 of second plate 106, as shown for example in FIG. 4. Additionally, fastener 110 is positioned to both second plate aperture 148 that is adjacent to recess 146 and first plate aperture 150 that is formed within keyed portion 142 to secure first plate 104 with second plate 106. In the example embodiment, keyed portion 142 and recess 146 are star-shaped in cross-section. Other embodiments are however possible, and shape of keyed portion 142 and recess 146 may be implementation-specific. Further, as mentioned above, tensioning component 108 is generally snap-fit coupleable to groove 136 that is formed between first plate 104 and second plate 106. Rotational movement of tensioning component 108 is limited or restricted when positioned to groove 136 by interlock of bumps or ridges 152 formed on both second plate 106 and tensioning component 108, illustrated for example at FIG. 4 and at FIG. 6.

Friction gap 138 within groove 136 is defined by first ridged flutes 154 that extend in a spoke pattern from keyed portion 142 of first plate 104, and second ridged flutes 156 that extend in the spoke pattern from recess 146 of second plate 106. FIG. 2 for example illustrates first ridged flutes

154, and FIG. 4 for example illustrates second ridged flutes 156. It is contemplated that more or fewer ridged flutes may be utilized in any pattern as desired, and further number and shape of first ridged flutes 154 and second ridged flutes 156 may be implementation-specific. In the example embodiment, when first plate 104 is coupled with second plate 106, first ridged flutes 154 and second ridged flutes 156 are rotationally offset from each other so as to form a path for tension member 114 similar to that formed by an interdigitated comb structure. In this instance, however, fingers of the comb structure are interdigitally arranged along a circle. In this manner, first ridged flutes 154 and second ridged flutes 156 are configured and arranged to impart force on tension member 114 when tension member 114 is positioned to friction gap 138 within groove 136, so that tension is generally maintained on tension member 114 when pulling force is removed.

Referring now specifically to FIGS. 7A-C, a particular one of guide members 112 is shown in accordance with the present disclosure. As mentioned above, tension member 114 is laced through guide members 112 via opposing grooves 122 so that tension member 114 does not overlap onto itself. In general, grooves 122 positioned on each side of mounting aperture 158 provide a curved low-friction pathway for tension member 114 as it interfaces with panels 124, 132, and 134 of boot 126, similar to arcuate slots 116 of first plate 104 that provide a low-friction pathway for tension member 114 from entry apertures 118 to exit aperture 120. Whereas a typical lacing pattern may route laces back and forth between opposing panels, with laces crossing each other at various points along the center line of a particular panel, guide members 112 eliminate lace crossing and resulting friction that which may impede closure. It is contemplated that any number of guide members 112 may be employed to realize desired closure characteristics while maintaining the lowest possible lace system friction.

In the present example, with guide members 112 attached to center portion of front panel 124, tension member 114 is guided from first side panel 132 through a particular one of guide members 112, and back to first side panel 132. Similarly, tension member 114 is guided from second side panel 134 through a particular one of guide members 112, and back to second side panel 134. Tension member 114 thus does not overlap onto itself and does not bind, chafe, or create excess friction. It is contemplated that body 160 of guide members 112 may be curved to generally match the shape of front panel 124 or other intermediate panel onto which they are coupled. Further, profile or thickness 162 of guide members 112 may be defined such that tension member 114 is raised above a surface of an intermediate panel to further reduce friction. Various methods may be employed to attach guide members 112 to front panel 124, such as in a manner that allows guide members 112 to self-align under loads presented by tension member 114. Further, in order to facilitate injection molding with minimal tooling complexity, in one embodiment the bearing surface of the guide members 112 may be formed by alternating grooves in top and bottom surfaces. This arrangement may sufficiently capture tension member 114, keeping tension member 114 bearing upon the desired radius surface, while not requiring any sliding elements in the injection mold.

Referring now to FIG. 9, another lace fixation system 902 is shown in accordance with the present disclosure. System 902 is similar to first lace fixation system 102 as described above in many respects. For example, system 902 includes first lace fixation assembly 100 of at least FIG. 1 coupled to front panel 904 of boot 906. In the example embodiment,

however, tension member 908 is laced through guide members 910 so as to overlap or cross itself. Guide members 910 in FIG. 9 are webbing or fabric strips that are sewn or otherwise coupled to panels of the article. The webbing or fabric strips 910 include loops through which the tension member 908 is inserted. The webbing or fabric strips 910 may be angled or directed to guide the tension member 908 about the article as desired. In practice though, tightening of boot 906 using first assembly 100 may be performed in a manner similar to that described above. Further, FIG. 9 demonstrates flexibility of first assembly 100 in that tensioning component 108 may be coupled to groove 136 (e.g., see FIG. 5) that is formed between first plate 104 and second plate 106 without orientation-specific keying. In other words, tensioning component 108 may be coupled to groove 136 in any particular orientation. For example, FIG. 8C illustrates tensioning component 108 positioned to groove 136 so that notch 130 is orientated towards guide members 112. In contrast, FIG. 9 illustrates tensioning component 108 positioned to groove 136 so that notch 130 is orientated away from guide members 910.

Referring now to FIGS. 10A-16B, second lace fixation assembly 1000 and second lace fixation system 1002 are shown in accordance with the present disclosure. In general, second assembly 1000 includes plate 1004 and tensioning component 1006. FIG. 10B for example illustrates these respective components of second assembly 1000 in an assembled configuration. Second system 1002 includes second assembly 1000, guide members 1008, and tension member 1010. FIG. 15 for example illustrates these respective components of second system 1002 in an assembled configuration. In the example embodiment, tension member 1010 is laced through plate 1004 of second assembly 1000 via plate apertures 1011 that guide tension member 1010 through plate 1004, and further is laced through guide members 1008 so that tension member 1010 overlaps onto itself. FIG. 12C for example illustrates plate apertures 1011, and FIG. 15 and FIG. 16A for example illustrate lacing of tension member 1010 through guide members 1008 that are coupled to boot 1014, and lacing of tension member 1010 through plate 1004, respectively. Other embodiments though are possible. For example, it is contemplated that guide members 112 as discussed above may be used in place of guide members 1008.

Both second assembly 1000, at least in part, and guide members 1008 are coupled to front panel 1012 of boot 1014, and tensioning end 1016 of tension member 1010 is coupled to tensioning component 1006 at component apertures 1018. FIGS. 11A-B for example illustrate component apertures 1018 of tensioning component 1006, and FIG. 16A for example illustrates tensioning end 1016 of tension member 1010 coupled to tensioning component 1006. In the example embodiment, component apertures 1018 flare open into elongated slots on bottom side 1005 of tensioning component 1006 to gently guide tension member 1010 there-through, and plate 1004 includes primary surface 1007 that may be curved to at least partially conform to shape of panel 1012 of boot 1014, similar to first plate 104 of first assembly 100 shown at least in FIG. 1.

In practice, tightening of boot 1014 is performed or perfected by application of pulling force to tensioning component 1006, forcing first side panel 1020 and second side panel 1022 of boot 1014 together. While maintaining pulling force, tensioning component 1006 is used to wrap tension member 1010 into channel or groove 1024 formed by plate 1004. FIG. 10B for example illustrates groove 1024 formed by plate 1004. Wrapping of tension member 1010

tightly onto itself within groove **1024** fixes tension member **1010** in place, so that tension is generally maintained on tension member **1010** when pulling force is removed. Wrapping of tension member **1010** into groove **1024** proceeds until length of tension member **1010** protruding from component apertures **1018** is substantially wrapped into groove **1024**. Tensioning component **1006** is then snap-coupled onto flange **1026** of plate **1004** so that locking surface **1028** of at least one flexible tab **1030** of tensioning component **1006** engages with locking surface **1032** of flange **1026** adjacent to groove **1024**. FIG. **14** in a particular instance illustrates tensioning component **1006** snap-coupled onto flange **1026** of plate **1004**. In the example embodiment, tensioning component **1006** may subsequently be decoupled from plate **1004** by application of leverage to tensioning component **1006** similar to that of opening certain types of aspirin containers for example, and may be used to unwind tension member **1010**, thereby releasing force imparted on first side panel **1020** and second side panel **1022** of boot **1014**. First side panels **1020** and/or second side panel **1022** may then be opened to allow exit, or tension reapplied to tension member **1010** as desired. Such an implementation may be beneficial or advantageous in many respects, including at least those discussed above in connection with first assembly **100**.

Further, referring now specifically to FIGS. **16A-B**, flexibility of second assembly **1000** is demonstrated in that tension member **1010** may be laced through plate **1004** of second assembly **1000** in a particular direction as desired. For example, FIG. **16A** illustrates tension member **1010** laced through plate **1004** of second assembly **1000** in a direction extending away from front end of shoe **1014**, so that tightening of shoe **1014** is perfected by application of pulling force generally in direction A. In contrast, FIG. **16B** illustrates tension member **1010** laced through plate **1004** of second assembly **1000** in a direction extending towards front end of boot **1014**, so that tightening of boot is perfected by application of pulling force generally in direction B.

Referring now specifically to FIGS. **11-14**, second lace fixation assembly **1000** is shown in accordance with the present disclosure. FIGS. **12A-C** in particular show second assembly **1000** in varying dimension, generally increasing in size from FIG. **12A** proceeding in order to FIG. **12C**. As mentioned above, second assembly **1000** includes plate **1004** and tensioning component **1006**. When assembled, keyed aperture **1034** formed within flange **1026** of plate **1004** is positioned to complementary post **1036** of tensioning component **1006**. FIG. **11A** and FIG. **11B** for example illustrate keyed aperture **1034** formed within flange **1026** of plate **1004**, and post **1036** of tensioning component **1006**. In the example embodiment, keyed aperture **1034** and post **1036** are peripherally notched. Other embodiments are however possible. Tensioning component **1006** is snap-fit coupleable to keyed aperture **1034** formed within flange **1026** of plate **1004** by at least one flexible tab **1030** of tensioning component **1006** that has locking surface **1028** that engages with locking surface **1032** of flange **1026** adjacent groove **1024**. FIG. **14** for example illustrates flexible tab **1030** of tensioning component **1006** that has locking surface **1028** that engages with locking surface **1032** of flange **1026** adjacent to groove **1024**. In the example embodiment, rotational movement of tensioning component **1006** when coupled to plate **1004** is limited or restricted because post **1036** is rigidly fixed to plate **1004** at mounting surface **1038**.

Referring now to FIG. **17**, still another lace fixation system **1702** is shown in accordance with the present disclosure. System **1702** is similar to second lace fixation

system **1002** as described above in many aspects. For example, system **1702** includes second lace fixation assembly **1000** of at least FIG. **10** coupled to panel **1704** of item **1706**. In this example, however, second assembly **1000** is not coupled to a central panel of item **1706**, and further tension member **1708** is alternately laced through guide members **1710** terminating at end **1712**. In practice though, tightening of item **1706** using second assembly **1000** may be performed in a manner similar to that described above. Further, FIG. **17** demonstrates flexibility of second assembly **1000** in that second assembly **1000** may generally be coupled to a particular item at any location as desired, such as to an eyestay of a shoe as illustrated in FIG. **17**. Termination at end **1712** as shown in FIG. **17** may increase the tension imparted to tension member **1708** as the system is used to close item **1706**. Still other lace fixation systems embodiments are possible.

For example, referring now to FIG. **18**, still another lace fixation system **1802** is shown in accordance with the present disclosure. System **1802** is similar to second lace fixation system **1002** as described above in many aspects. For example, system **1802** includes first instance **1000a** of second lace fixation assembly **1000** of at least FIG. **10** coupled to first panel **1804** of item **1806**. In this example, however, system **1802** further includes second instance **1000b** of second lace fixation assembly **1000** coupled to second panel **1808** of item **1804**, and tension member **1810** is coupled to fixed guide **1812** positioned to central panel **1814** of item **1806**. In some embodiments, first instance **1000a** of second assembly **1000** and second instance **1000b** of second assembly **1000** may be sized differently, for example as illustrated in FIG. **12**. Such an implementation as shown in FIG. **18** may be an example of a zone or zonal tightening system, whereby tension imparted on first length **1816** of tension member **1808** may be controlled by first instance **1000a** of second assembly **1000**, and tension imparted on second length **1818** of tension member **1808** may be controlled by second instance **1000b** of second assembly **1000**. Tension member **1810** may be fixedly coupled with fixed guide **1812** (i.e., the tension member **1810** may be prevented from sliding through guide **1812**) to allow zonal tensioning of a proximal and distal portion of item **1806**. Still other lace fixation system embodiments are possible.

For example, referring now to FIGS. **19A-E**, still another lace fixation system **1902** is shown in accordance with the present disclosure. System **1902** is similar to second lace fixation system **1002** as described above in many aspects. For example, system **1902** includes embodiment **1000a** of second lace fixation assembly **1000** of at least FIG. **10** coupled to panel **1904** of item **1906**. In this example, however, system **1902** includes tension member **1908** coupled to fixed guide **1910** positioned to central panel **1912** of item **1906**. As shown in the sequence of FIGS. **19A-E**, tension member **1908** may be positioned to guide members **1914** and fixed guide **1910** so that tension member **1908** may be wrapped and coupled to embodiment **1000a** of second assembly **1000** in a manner such as described above. In particular, tension member **1908** may be initially laced to guide member **1914a** and guide member **1914b** positioned in a lower portion of the item, and then laced through fixed guide **1910** as shown in FIG. **19C**, such as by inserting tension member **1908** through a lumen of fixed guide **1910**. Tensioning component **1006** may then be pulled in direction X to apply tension to first length **1916** of tension member **1908**, thereby pulling the lower portion of side panel **1918** and side panel **1920** together. Tension member **1908** may

then be wrapped around a post of fixed guide **1910** to lock or maintain a tension of first length **1916** of tension member **1908** and thereby secure the lower portion in a tightened arrangement. Tension member **1908** may then be laced to guide member **1914c** and guide member **1914d** in an upper portion of the item. Tensioning component **1006** may then be pulled in direction **Y** to apply tension to second length **1922** of tension member **1908**, thereby pulling the upper portion of side panel **1918** and side panel **1920** together. Tension member **1908** may then be wrapped into channel or groove **1024** formed by plate **1004** to lock or maintain a tension of second length **1922** of tension member **1908** and thereby secure the upper portion in a tightened arrangement. Such an implementation as shown in FIGS. **19A-E** may be an example of a zone or zonal tightening system, whereby tension imparted on first length **1916** of tension member **1908** may be controlled or maintained due to coupling of tension member **1908** to fixed guide **1910**, and tension imparted on second length **1922** of tension member **1908** may be controlled or maintained due to coupling of tension member **1908** to plate **1004**. Still many other lace fixation system embodiments are possible.

Referring now to FIG. **20**, still another lace fixation system **2002** is shown in accordance with the present disclosure. System **2002** is similar to both first lace fixation system **102** and second lace fixation system **1002** as described above in many respects. For example, system **2002** includes first lace fixation assembly **100** of at least FIG. **1** coupled to first panel **2004** of item **2006**, and also includes second lace fixation assembly **1000** of at least FIG. **10** coupled to second panel **2008** of item **2006**. In this example, however, system **2002** includes first tension member **2010** coupled to first assembly **100** in a manner similar to that described above, and also includes second tension member **2012** coupled to second assembly **1000** in a manner similar to that described above. Here, second tension member **2012** is shown partially in phantom line as a portion of second tension member **2012** is routed generally underneath outer shell **2014** of item **2006**, such as through tubing positioned under the upper of a boot. Such an implementation may be another example of a zone or zonal tightening system, whereby tension imparted on first tension member **2010** may be controlled by first assembly **100**, and tension imparted on second tension member **2012** may be controlled by second assembly **1000**. In the illustrated embodiment, first tension member **2010** and first assembly **100** is used to tighten an upper portion of a boot while second tension member **2012** and second lace fixation assembly **1000** is used to tighten a lower portion of a boot. Still other lace fixation system embodiments are possible.

Referring now to FIG. **21**, still another lace fixation system **2102** is shown in accordance with the present disclosure. System **2102** is similar to second lace fixation system **1002** as described above in many respects. For example, system **2102** includes second lace fixation assembly **1000** of at least FIG. **10** coupled to panel **2104** of item **2006**. In this example, however, second assembly **1000** is not coupled to a central or offset panel of item **2106**, and instead is coupled to rear portion **2108** of item **2106**, such as heel portion of a shoe. Further, tension member **2110** is laced to second assembly **1000** at a point furthest possible from guide members **2112** of item **2106**, such as by being routed through tubing coupled with and/or positioned under an upper material layer of the shoe. In practice though, tightening of item **2106** using second assembly **1000** may be performed in a manner similar to that described above. Further, FIG. **21** demonstrates flexibility of second assembly

1000 in that second assembly **1000** may generally be coupled to a particular item at any location as desired. Still other lace fixation system embodiments are possible.

Referring now to FIG. **22**, still another lace fixation system **2202** is shown in accordance with the present disclosure. System **2202** is similar to lace fixation system **2002** of FIG. **20** as described above in many respects. In this example, however, system **2202** exhibits an alternate embodiment of first lace fixation assembly **100**. In particular, lace fixation assembly **2204** coupled to first panel **2206** of item **2208** includes reel assembly mechanism **2210** having a knob or dial component **2212** that is rotatable in a first direction (e.g., clockwise) to wind the tension member **2216** about a channel or groove of a spool (not shown) positioned under the knob **2212** and within a housing **2214** of the reel assembly mechanism **2210**. The tension member **2216** is laced and/or positioned around one or more guides of an upper portion of item **2208** (i.e., boot). The reel assembly mechanism **2210** is used to tighten the upper portion of item **2208** by tensioning the tension member **2216** via reel assembly mechanism **2210**. In some embodiments, the reel assembly mechanism **2210** may be rotated in a second direction (i.e., counter-clockwise) to loosen the tension in tension member **2216** and thereby loosen the upper portion of item **2208**. In other embodiments, the knob **2212** may be grasped and moved axially upward to disengage internal components of reel assembly mechanism **2210** and thereby release the tension on tension member **2216**. Second assembly **1000** may be used to tension a lower portion of item **2208** as described in the embodiment of FIG. **20**. Still other lace fixation assembly embodiments are possible.

For example, referring now to FIGS. **23A-C**, third lace fixation assembly **2300** is shown in accordance with the present disclosure. In the example embodiment, tension member **2302** is laced through plate **2304** of third assembly **2300** via lumen or passage **2306** that guides tension member **2302** through plate **2304**, and tensioning end **2308** of tension member **2302** is coupled to tensioning component **2310** at component apertures **2312**. As shown in particular by the sequence of FIG. **23C**, tensioning component **2310** may initially be pulled in direction **C** so that tension member **2302** in turn is pulled through passage **2306**. Tensioning component **2310** may then be flipped or positioned back over plate **2304** whereby portions of tension member **2302** are engaged with ridged friction surfaces **2314** within channel **2316** of plate **2304**. The ridged friction surfaces **2314** engage with tension member **2302** to lock or otherwise maintain the tension member **2302** in a tensioned state.

FIG. **23A** and FIG. **23B** too for example illustrates portions of tension member **2302** engaged with ridged friction surfaces **2314** within channel **2316** of plate **2304**. Tensioning component **2310** may then be pulled in direction **D** that is generally opposite direction **C** so that slack of tension member **2302** is taken up and portions of tension member **2302** are fully engaged with ridged friction surfaces **2314** within channel **2316** to lock or otherwise maintain the tension member **2302** in the tensioned state. Tensioning component **2310** may then be used to wrap tension member **2302** within second channel **2318** of plate **2304** in rotational direction **E** and then snap-coupled to flange **2138** of plate **2304** in a manner similar to that described above in connection with tensioning component **1006**. Second channel **2318** may be separated from channel **2316** via a flange or other partition member. In the example embodiment, plate **2304** and tensioning component **2310** of at least FIG. **23** are configured in a manner substantially similar to plate **1004** tensioning component **1006** of at least FIG. **10A-D**, with at

least the exception of ridged friction surfaces 2314. Still other lace fixation assembly embodiments are possible.

Referring now to FIGS. 24A-B, fourth lace fixation assembly 2400 is shown in accordance with the present disclosure. In the example embodiment, fourth assembly 2400 is substantially similar to second lace fixation assembly 1002 as described above. Fourth assembly 2400 though is configured to exhibit coiler functionality. As shown in particular by the sequence of FIG. 24B, tensioning component 1006 may initially be pulled in direction F so that tension member 1010 in turn is pulled through plate 1004. Post 2402 of plate 1004 may then be rotated in direction G to pull and wind tension member 1010 to groove 1024 formed by plate 1004 (e.g., see FIG. 10). Tensioning component 1006 may then be snap-coupled onto flange 1026 of plate 1004 in manner as described above. In the example embodiment, post 2402 of plate 1004 may be configured and arranged as a rotary dial having a clock spring or spiral-wound torsion spring so that tension member 1010 may be automatically wound to groove 1024 formed by plate 1004 without a user having to use tensioning component 1006 to wrap tension member 1010 to groove 1024 as describe above. In this manner, the user may simply pull tensioning component 1006 in direction F and then release tensioning component 1006 or gently guide tensioning component 1006 as post 2402 automatically rotates in direction G to wind tension member 1010 about groove 1024. In other embodiments, the user may rotate post 2402 in direction G to wind the tension member 1010 about groove 1024. In some embodiments, post 2402 may further be configured and arranged to exhibit push-to-lock/pull-to-unlock functionality whereby when tension member 1010 is fully wrapped to groove 1024 tensioning component 1006 may be pressed to lock second assembly 1002. A reverse operation may be performed to unlock second assembly 1002 so that tension member 1010 may be unwound from groove 1024. Still other lace fixation assembly embodiments are possible.

Referring now to FIG. 25, fifth lace fixation assembly 2500 is shown in accordance with the present disclosure. In the example embodiment, fifth lace fixation assembly 2500 is substantially similar to second lace fixation assembly 1002 as described above. Fifth assembly 2500 though is configured to exhibit incremental tightening/loosening functionality. For example, as shown in particular by the sequence of FIG. 25, tensioning component 1006 may initially be pulled in direction H so that tension member 1010 in turn is pulled through plate 1004. Tensioning component 1006 may then be used to wrap tension member 1010 to groove 1024 and then snap-coupled onto flange 1026 of plate 1004 in manner as described above. Subsequently, a fine tuning operation may be performed to increase or release tension on tension member 1010. In particular, tensioning component 1006 may be incrementally rotated in a clockwise direction in a fixed ratcheting motion to increase tension on tension member 1010, or incrementally rotated in a counterclockwise direction in the fixed ratcheting motion to release tension on tension member 1010. In the example embodiment, post 2402 of plate 1004 (e.g., see FIG. 24) may be configured and arranged as a ratcheted rotary dial so that tension on tension member 1010 may be increased or decreased as desired, without having to decouple tensioning component 1006 from plate 1004.

Although the various disclosed lace fixation assemblies and systems are described in the context of a closure system for footwear or other panels desired to be closed toward one another, it will be appreciated that the designs may be

optimized for a variety of other uses in which a lace or cord is desired to be removably secured at various tension levels or adjustment lengths. Examples include: a) fixation of high tensile rigging aboard ships, allowing for easy adjustment of a given line with secure fixation, b) orthopedic bracing products, c) garment closures, d) equestrian accessories, e) wakeboard boots, f) kitesurfing line adjustments, g) backpack and luggage closures.

Having described several embodiments, it will be recognized by those of skill in the art that various modifications, alternative constructions, and equivalents may be used without departing from the spirit of the invention. Additionally, a number of well-known processes and elements have not been described in order to avoid unnecessarily obscuring the present invention. Accordingly, the above description should not be taken as limiting the scope of the invention.

As used herein and in the appended claims, the singular forms “a”, “an”, and “the” include plural referents unless the context clearly dictates otherwise. Thus, for example, reference to “a process” includes a plurality of such processes and reference to “the device” includes reference to one or more devices and equivalents thereof known to those skilled in the art, and so forth. Also, the words “comprise,” “comprising,” “include,” “including,” and “includes” when used in this specification and in the following claims are intended to specify the presence of stated features, integers, components, or steps, but they do not preclude the presence or addition of one or more other features, integers, components, steps, acts, or groups.

What is claimed is:

1. A lacing system for tightening an article, comprising:
 - a fixation member coupled to the article, the fixation member having at least one entry aperture and an exit aperture with a lumen extending therebetween, the fixation member also having a spool with a fixation post;
 - a tension member having an intermediate portion slidably disposed within the lumen of the fixation member such that a proximal portion of the tension member is positioned on a proximal side of the fixation member and a distal portion of the tension member is positioned on a distal side of the fixation member and such that a length of the proximal portion and a length of the distal portion is adjustable via sliding of the tension member within the lumen;
 - a plurality of guide members coupled to the article on the proximal side of the fixation member to guide the proximal portion of the tension member along the article to the fixation member; *and*
 - a tensioning [portion of the tension member] *component* to effect sliding of the tension member within the lumen and thereby tighten the article by adjusting the length of the proximal portion of the tension member, and to maintain a tightness of the article by winding of the tension member about the fixation post, wherein the tensioning [portion] *component* is securable to the spool of the fixation member, wherein the plurality of guide members direct the tension member along a panel of the article to the at least one entry aperture, and wherein the tension members overlaps itself along the panel; *and*
 - wherein the [tensioning portion is a] tensioning component [that] is snap-fit coupleable about the spool.
2. The system of claim 1, wherein the fixation member further includes a flange shaped complementary to the article.

15

3. The system of claim 1, wherein the lumen extending between the entry aperture and the exit apertures includes an arcuate configuration.

4. The system of claim 1, wherein the tensioning [portion] component is ring-shaped.

5. The system of claim 1, wherein the spool and the tensioning component each comprise a plurality of traction members that when engaged inhibit rotation of the tensioning component when the tensioning component is secured about the spool.

6. A lacing system for tightening an article, comprising:
a fixation member coupled to the article, the fixation member having an entry aperture, an exit aperture, and a fixation post that is accessible from an exterior of the fixation member;

a tension member having a proximal portion positioned on a proximal side of the fixation member, a distal portion positioned on a distal side of the fixation member, and an intermediate portion slidably disposed within the fixation member, wherein a length of the proximal portion and a length of the distal portion is adjustable via sliding of the tension member within the fixation member;

a plurality of guide members coupled to the article on the proximal side of the fixation member to guide the proximal portion of the tension member along the article; and

a tensioning [portion of the tension member] component that effects sliding of the tension member within the fixation member and thereby tightens the article by adjusting the length of the proximal portion of the tension member, and that maintains a tightness of the article by winding of the tension member about the fixation post from the exterior of the fixation member; and

wherein the tensioning [portion comprises a] component [that] is snap-fit coupleable about the fixation member.

7. The system of claim 6, wherein the tensioning [portion] component is securable to the fixation member.

8. The system of claim 6, wherein the tensioning [portion is a] component [that] is coupled to the distal portion of the tension member.

9. A lacing system for tightening an article, comprising:
a fixation member coupled to the article, the fixation member having at least one entry aperture and an exit aperture with a lumen extending therebetween, the

16

fixation member also having a spool with a fixation post, the fixation post being accessible from an exterior of the fixation member;

a tension member having an intermediate portion slidably disposed within the lumen of the fixation member such that a proximal portion of the tension member is positioned on a proximal side of the fixation member and a distal portion of the tension member is positioned on a distal side of the fixation member and such that a length of the proximal portion and a length of the distal portion is adjustable via sliding of the tension member within the lumen;

a plurality of guide members coupled to the article on the proximal side of the fixation member to guide the proximal portion of the tension member along the article to the fixation member; and

a tensioning [portion of the tension member] component to effect sliding of the tension member within the lumen and thereby tighten the article by adjusting the length of the proximal portion of the tension member, and to maintain a tightness of the article by winding of the tension member about the fixation post from the exterior of the fixation member, wherein the tensioning [portion] component is securable to the spool of the fixation member; and

wherein the [tensioning portion is a] tensioning component [that] is snap-fit coupleable about the spool.

10. The system of claim 9, wherein the fixation member further includes a flange shaped complementary to the article.

11. The system of claim 9, wherein the lumen extending between the entry aperture and the exit apertures includes an arcuate configuration.

12. The system of claim 9, wherein the plurality of guide members direct the tension member along a panel of the article without overlap to the at least one entry aperture.

13. The system of claim 9, wherein the plurality of guide members direct the tension member along a panel of the article to the at least one entry aperture, and wherein the tension members overlaps itself along the panel.

14. The system of claim 9, wherein the tensioning [portion] component is ring-shaped.

15. The system of claim 9, wherein the spool and the tensioning component each comprise a plurality of traction members that when engaged inhibit rotation of the tensioning component when the tensioning component is secured about the spool.

* * * * *