



US00RE48195E

(19) **United States**
(12) **Reissued Patent**
Marquard et al.

(10) **Patent Number:** **US RE48,195 E**
(45) **Date of Reissued Patent:** **Sep. 8, 2020**

(54) **SPORT BOTTLE**
(71) Applicant: **WAVE HYDRATION LLC**, Tigard,
OR (US)
(72) Inventors: **Conrad Marquard**, Lake Oswego, OR
(US); **Robert Clark Workman**, Tigard,
OR (US)
(73) Assignee: **WAVE HYDRATION LLC**, Tigard,
OR (US)

D511,684 S * 11/2005 Guyot D9/443
D543,454 S * 5/2007 Leoncavallo D9/449
D547,607 S * 7/2007 Forsman D7/396.2
D565,353 S * 4/2008 Roth D7/510
D699,996 S * 2/2014 De Leo D7/300.1
D702,503 S * 4/2014 Steel D7/300.1
D730,694 S * 6/2015 Elsaden D7/511
D755,562 S * 5/2016 Lindsay D7/392.1
D795,009 S * 8/2017 Alprin D7/392.1
D805,827 S * 12/2017 Toth D7/300.1
D828,723 S * 9/2018 Gauss D7/510
D830,772 S * 10/2018 Rosette D7/510

(Continued)

(21) Appl. No.: **29/679,629**
(22) Filed: **Feb. 7, 2019**

Primary Examiner — Darlington Ly
(74) *Attorney, Agent, or Firm* — FisherBroyles LLP;
Micah D. Stolowitz

Related U.S. Patent Documents

Reissue of:
(64) Patent No.: **Des. 781,654**
Issued: **Mar. 21, 2017**
Appl. No.: **29/554,670**
Filed: **Feb. 12, 2016**
(51) **LOC (12) Cl.** **07-01**
(52) **U.S. Cl.**
USPC **D7/510**
(58) **Field of Classification Search**
USPC D7/509, 510, 511, 523, 538, 543
CPC A47G 19/22; A47G 19/2205; A47G
19/2211; A47G 19/2216; A47G 19/2272;
A47G 19/2288; A45F 3/16; A47J 43/27;
B65D 41/04; B65D 41/56; B65D 43/02;
B65D 47/08
See application file for complete search history.

(57) **CLAIM**

The ornamental design for a sport bottle, as shown and described.

DESCRIPTION

FIG. 1 is a perspective view of a sport bottle showing our new design;
FIG. 2 is a left side elevation view thereof;
FIG. 3 is a front elevation view thereof;
FIG. 4 is a right side elevation view thereof;
FIG. 5 is a rear elevation view thereof;
FIG. 6 is a top plan view thereof;
FIG. 7 is a bottom plan view thereof;
FIG. 8 is a perspective view thereof, showing the lid in a first use condition; and,
FIG. 9 is a perspective view thereof, [in another] *showing the lid in a second use condition.*
The broken lines in the drawings illustrate portions of the sport bottle that form no part of the claimed design.

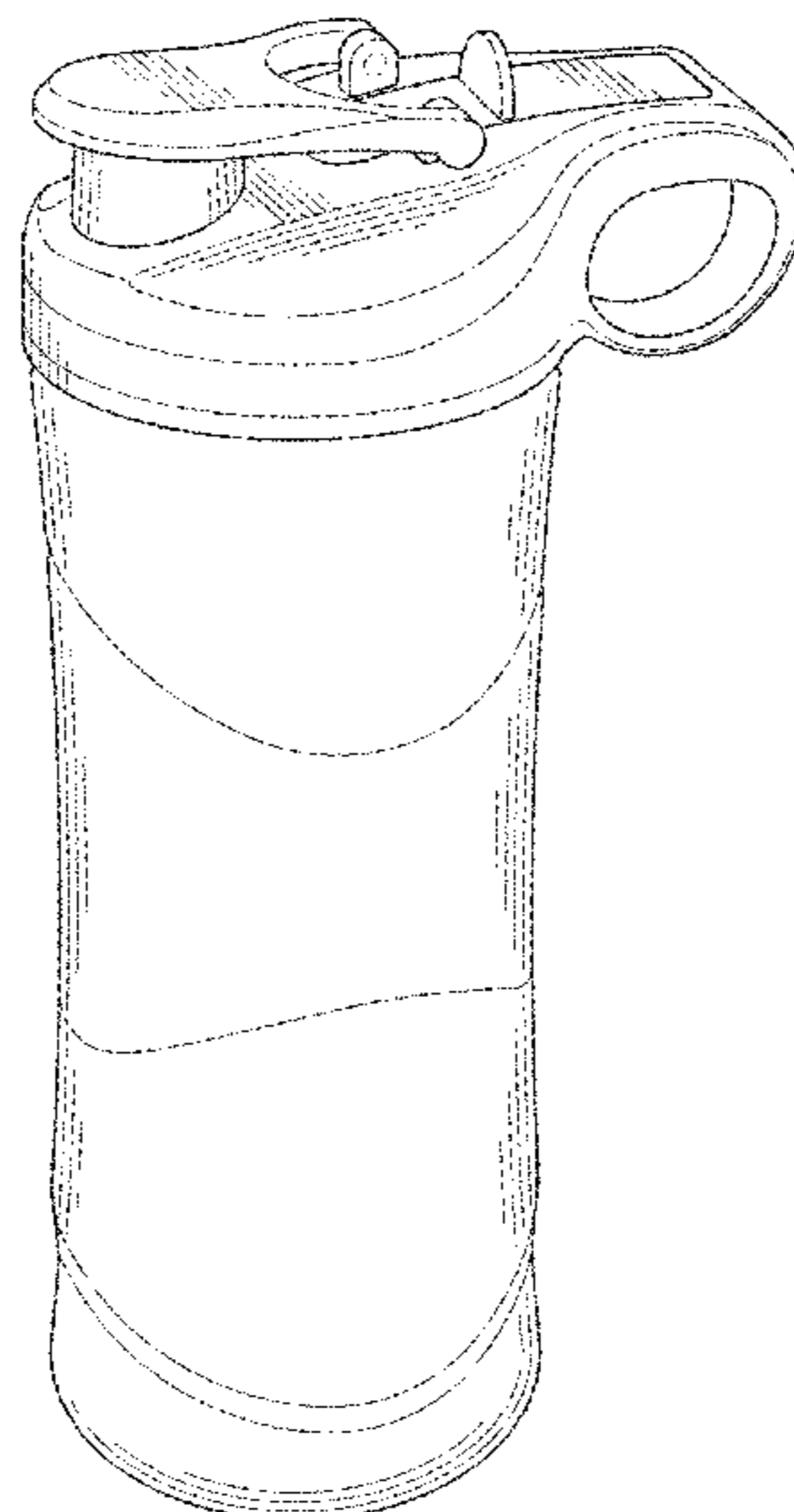
(56) **References Cited**

U.S. PATENT DOCUMENTS

D421,547 S * 3/2000 Demers D7/510
6,796,464 B1 * 9/2004 Tung B65D 47/305
222/402.13
D508,185 S * 8/2005 Gauss D7/392.1
D510,235 S * 10/2005 Sorensen D7/510

1 Claim, 5 Drawing Sheets

Matter enclosed in heavy brackets [] appears in the original patent but forms no part of this reissue; matter printed in italics indicates the additions made by reissue.



(56)

References Cited

U.S. PATENT DOCUMENTS

D844,376	S *	4/2019	Rosette	D7/392
D871,144	S *	12/2019	Zhang	D7/510
D879,555	S *	3/2020	Wang	D7/510
D880,225	S *	4/2020	Peng	D7/392.1
D885,129	S *	5/2020	Rosette	D7/510
D885,131	S *	5/2020	Wang	D7/510
2004/0217139	A1 *	11/2004	Roth	B65D 47/243 224/148.7
2005/0115966	A1 *	6/2005	Leoncavallo	B65D 25/56 220/212.5
2006/0226110	A1 *	10/2006	Choi	B65D 47/065 215/228
2016/0249755	A1 *	9/2016	Sorensen	A47G 19/23 206/501

* cited by examiner

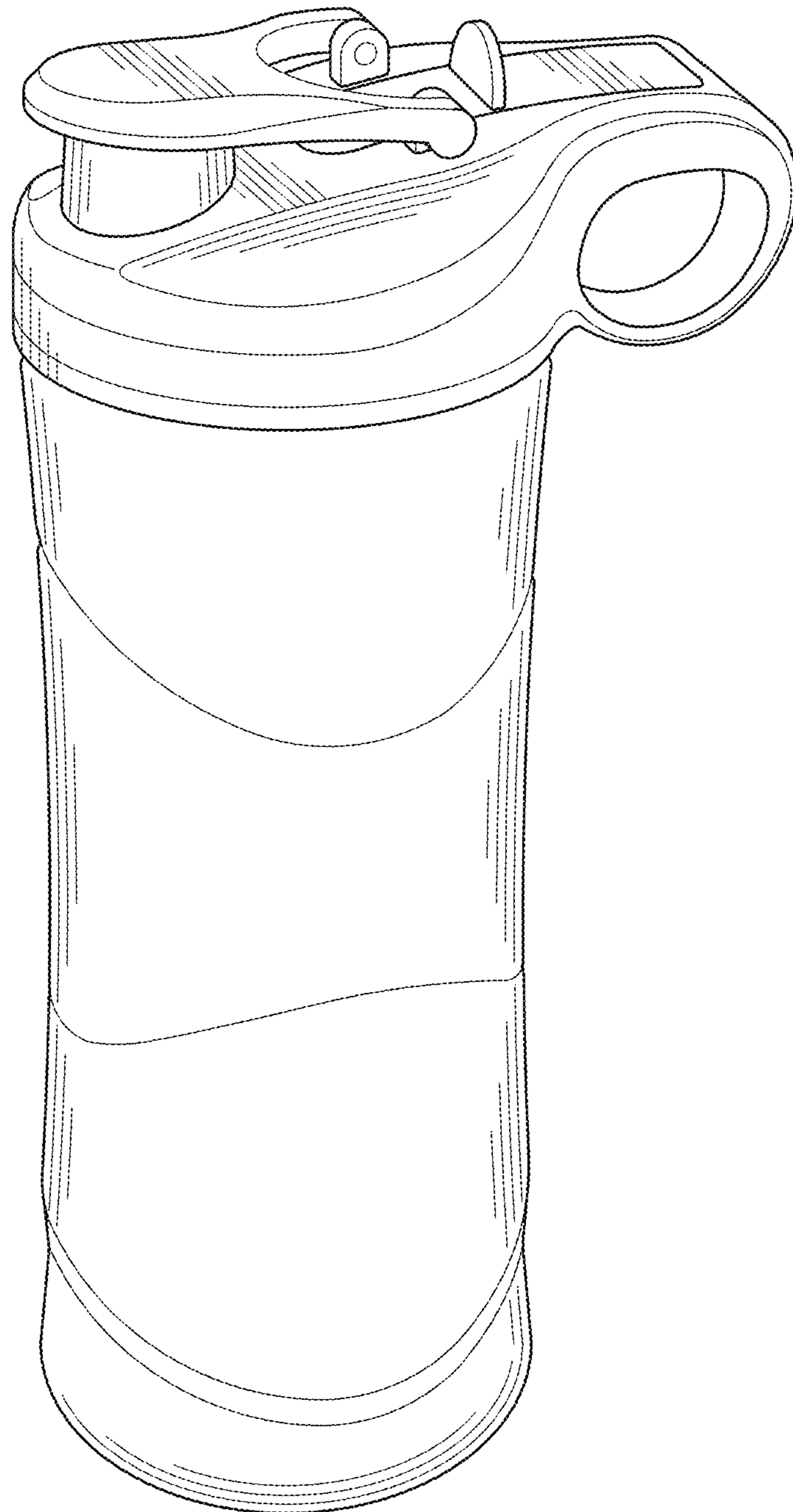


FIG. 1

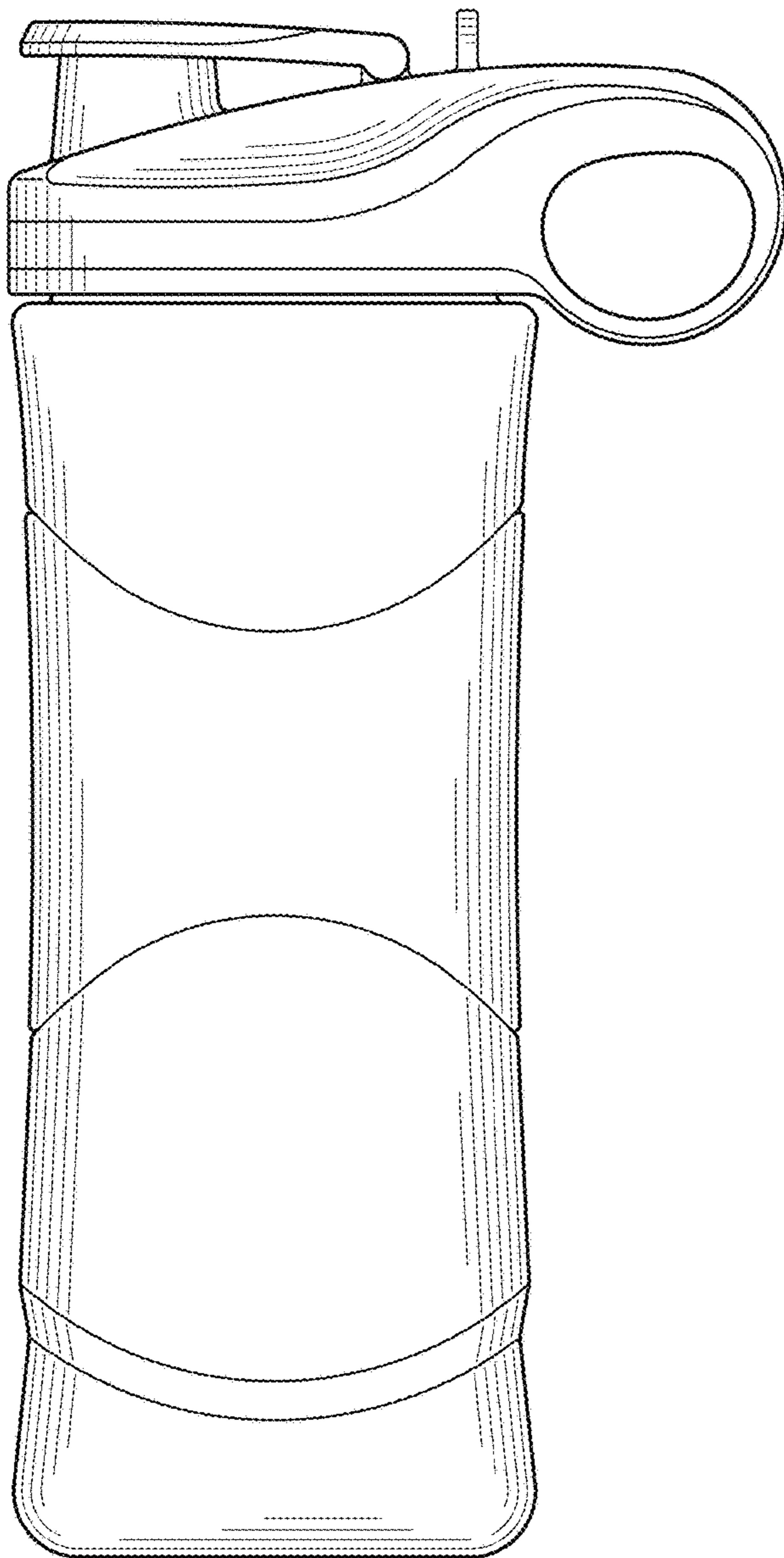


FIG. 2

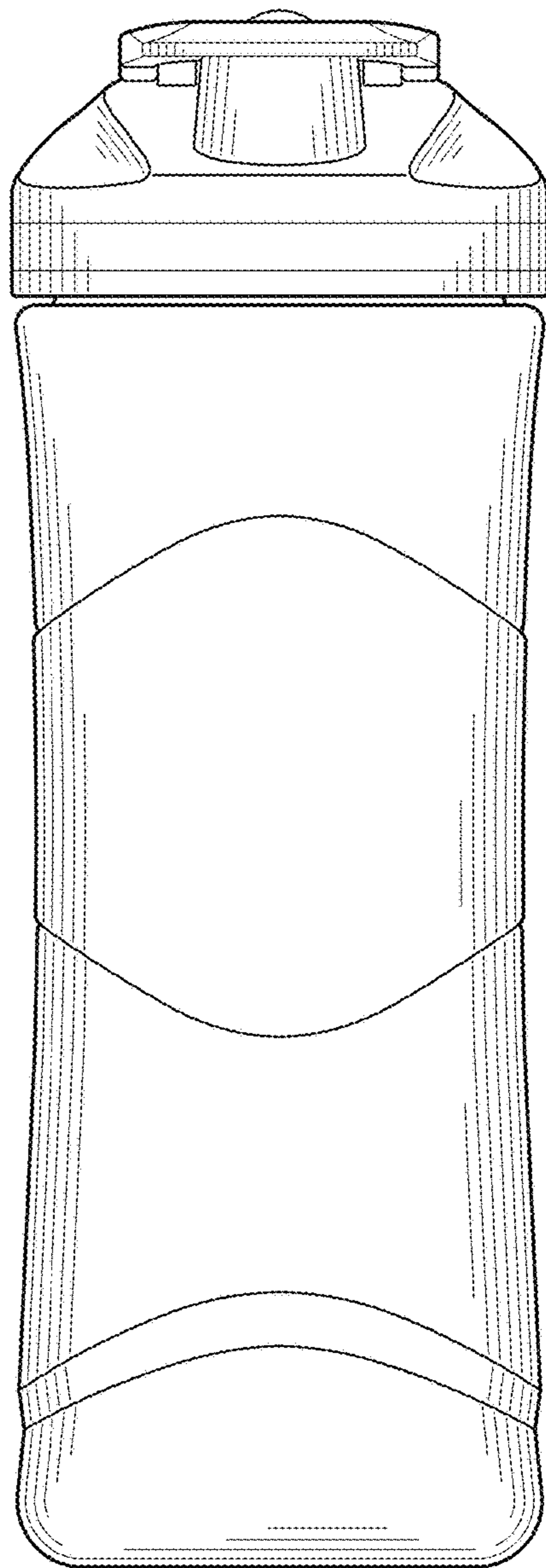


FIG. 3

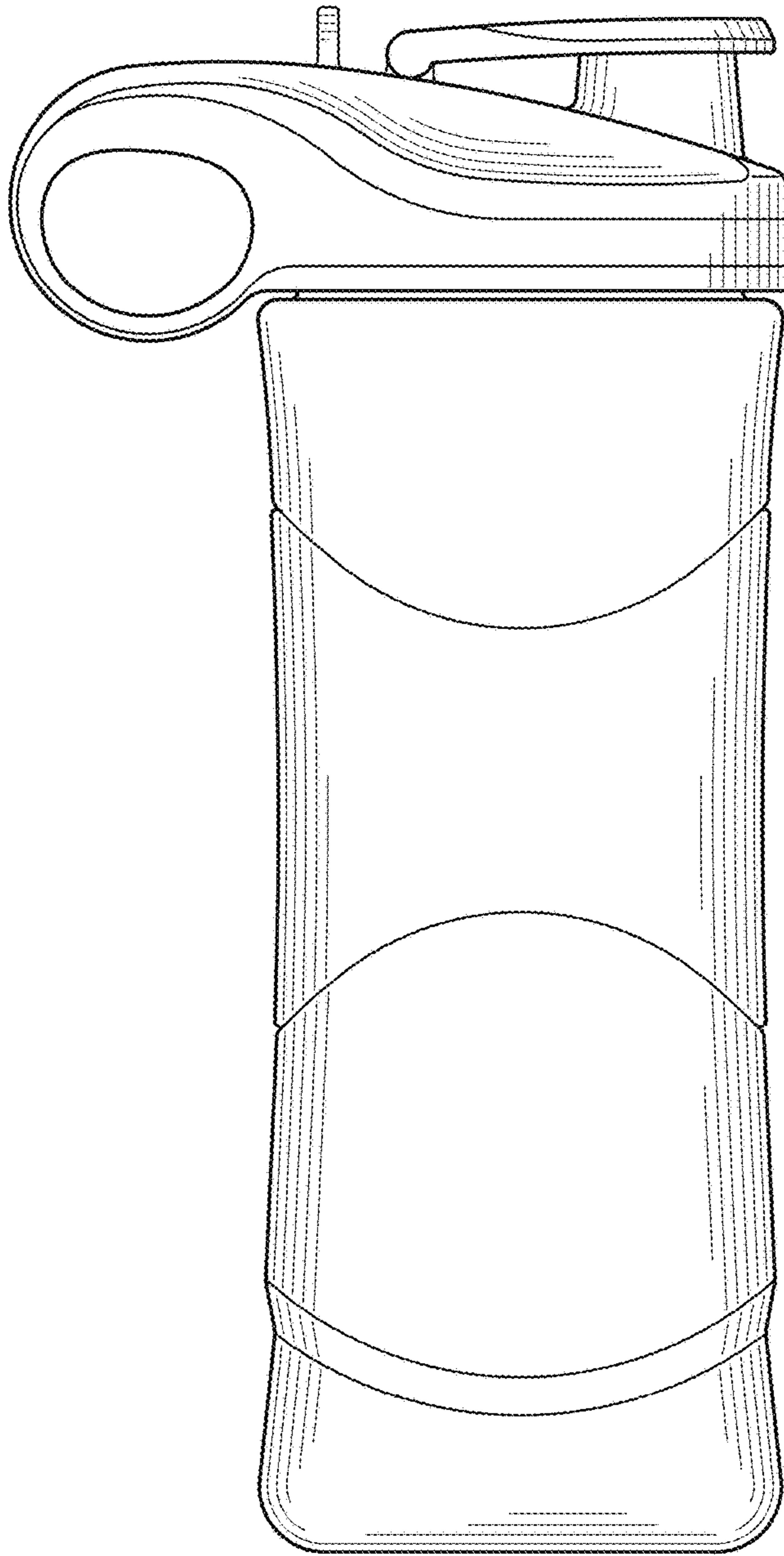


FIG. 4

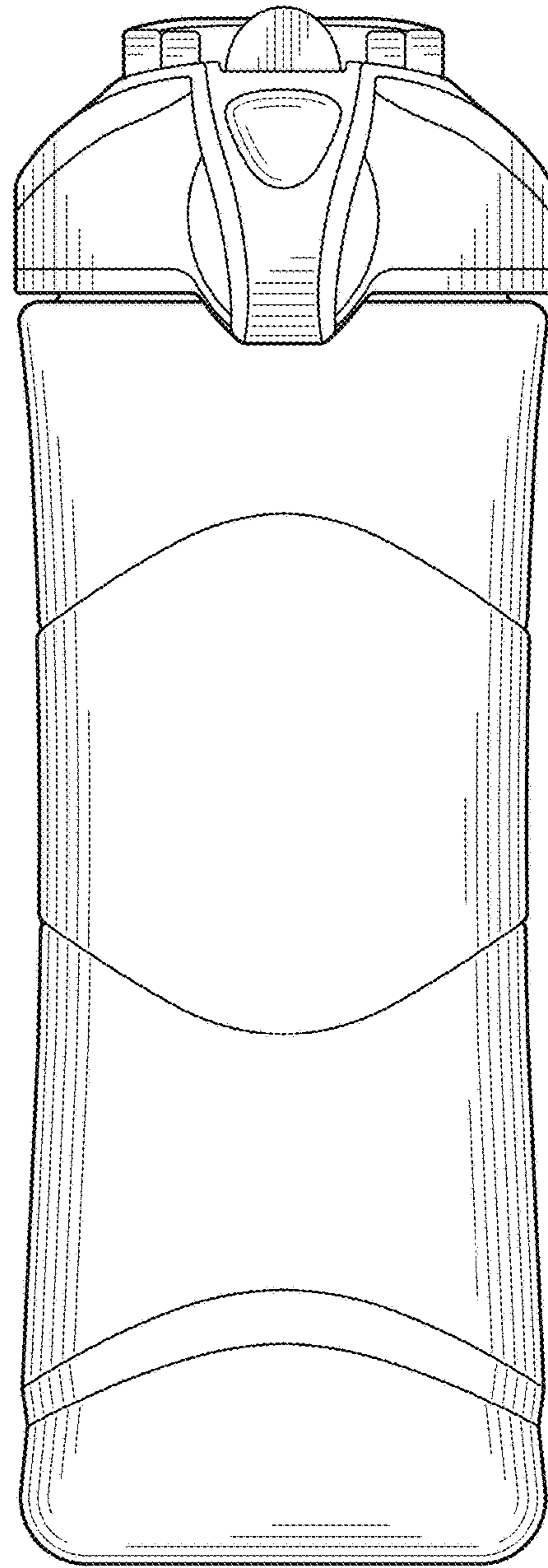


FIG. 5

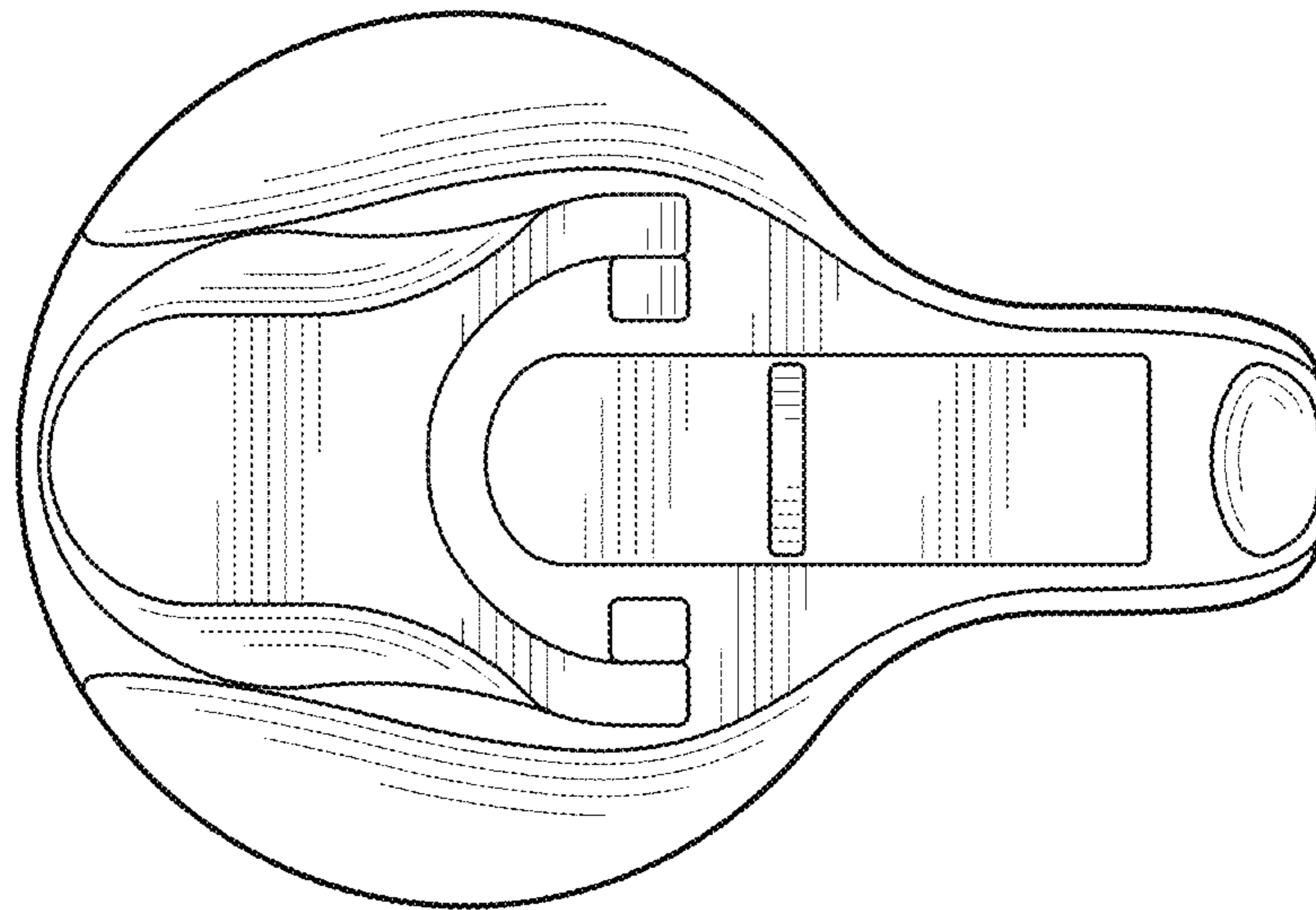


FIG. 6

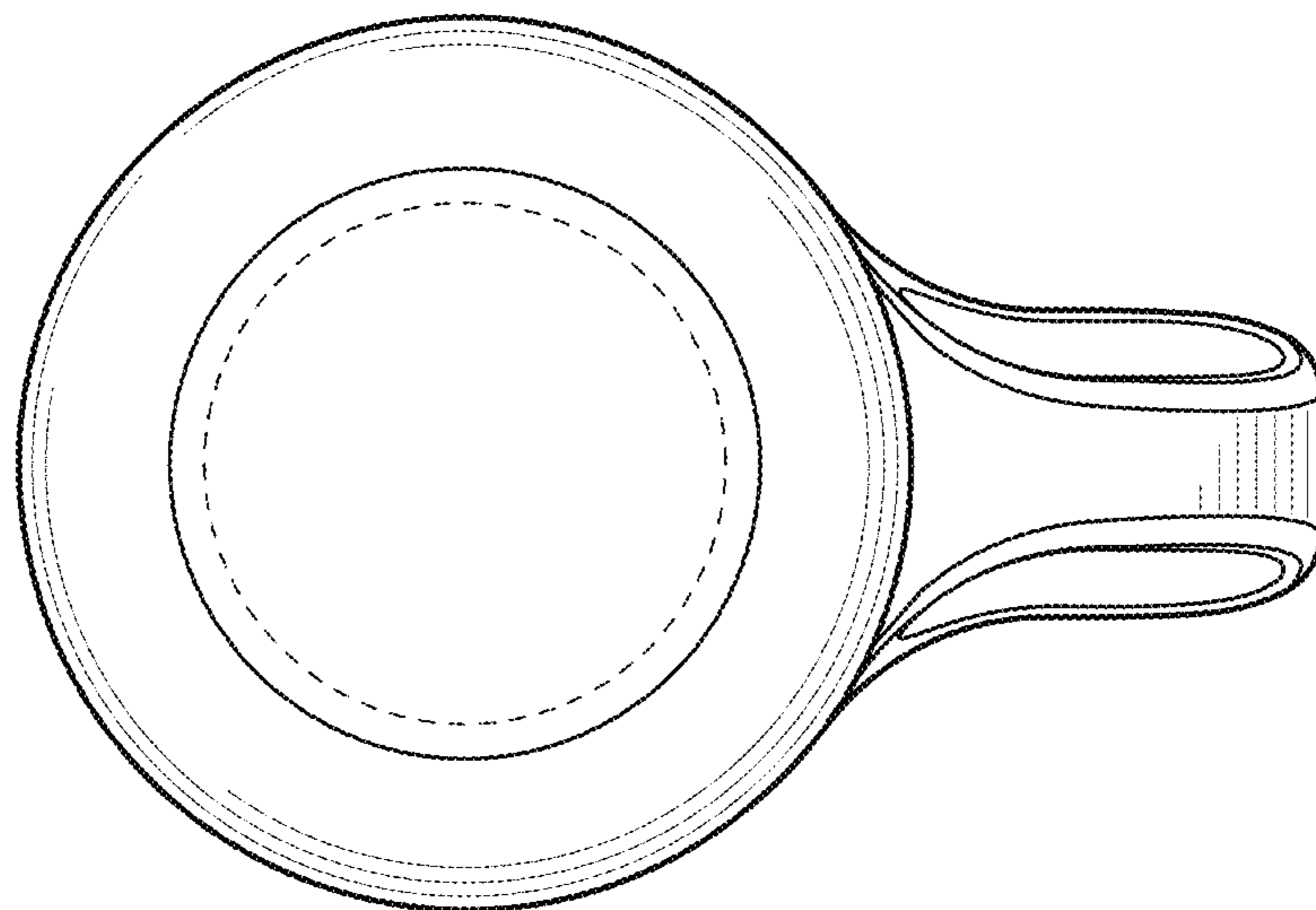


FIG. 7

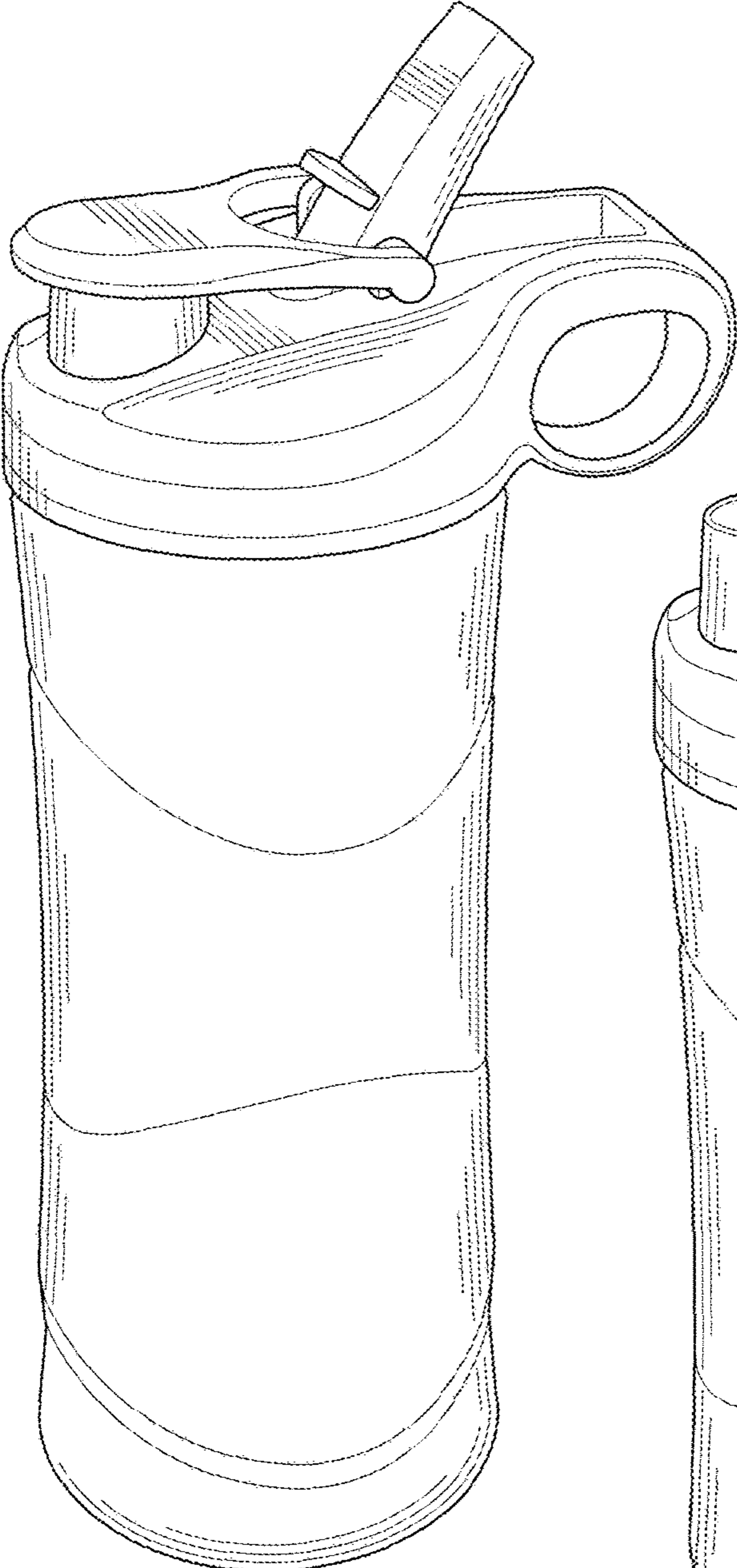


FIG. 8

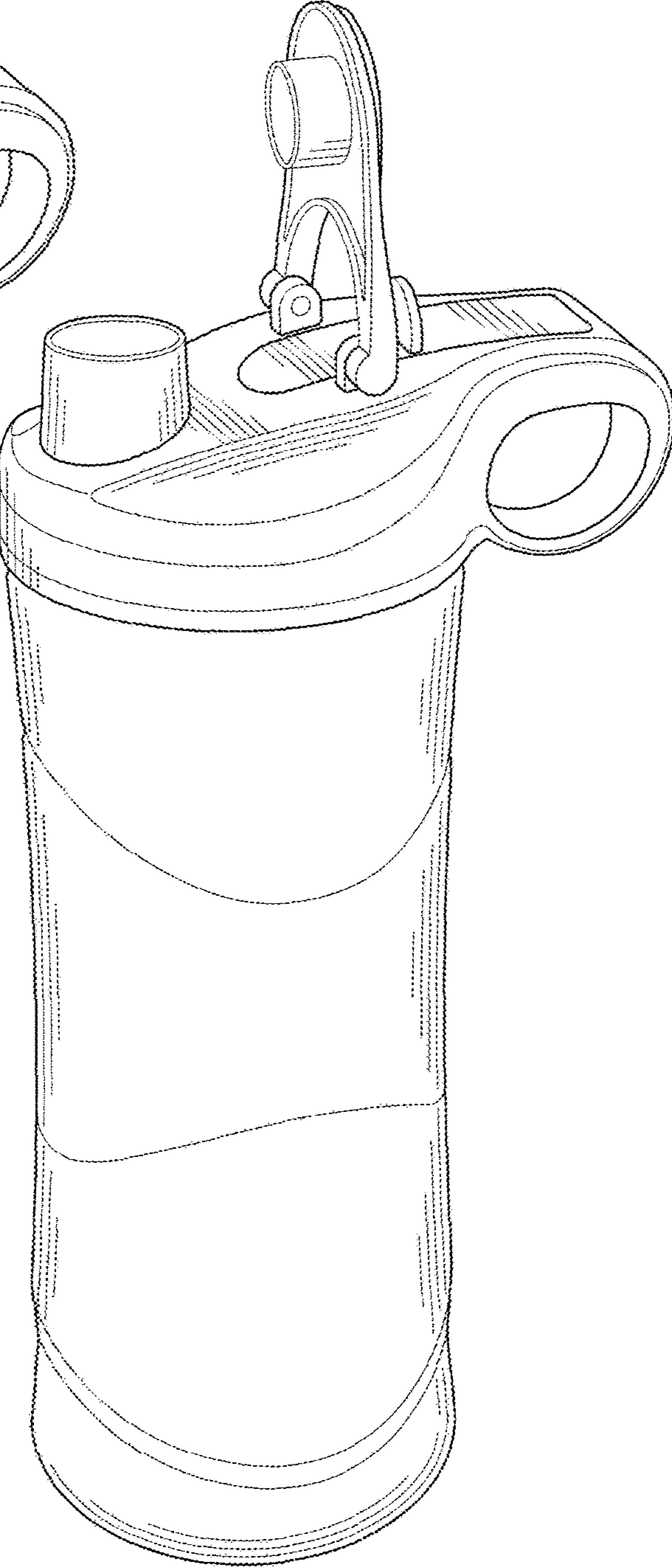


FIG. 9