



US00RE48162E

(19) **United States**
(12) **Reissued Patent**
Colston

(10) **Patent Number: US RE48,162 E**
(45) **Date of Reissued Patent: Aug. 18, 2020**

(54) **GRILL HANDLE TOWEL BAR ASSEMBLY**

FOREIGN PATENT DOCUMENTS

(71) Applicant: **Traeger Pellet Grills LLC**, Salt Lake City, UT (US)

CA 70139 A 2/1901
CA 113271 A 7/1908

(Continued)

(72) Inventor: **Michael Colston**, Salt Lake City, UT (US)

OTHER PUBLICATIONS

(73) Assignee: **Traeger Pellet Grills, LLC**, Salt Lake City, UT (US)

<http://www.homedepot.com/p/Franklin-Brass-Futura-24-in-Towel-Bar-in-Polished-Chrome-D2424PC/100388815>; Home Depot; Franklin Brass, Futura 24 in. Towel Bar in Polished Chrome; Sep. 6, 2015.

(Continued)

(21) Appl. No.: **29/668,943**

(22) Filed: **Nov. 2, 2018**

Primary Examiner — Darlington Ly

(74) *Attorney, Agent, or Firm* — TraskBritt

Related U.S. Patent Documents

Reissue of:

(64) Patent No.: **Des. 827,368**
Issued: **Sep. 4, 2018**
Appl. No.: **29/539,828**
Filed: **Sep. 17, 2015**

(57) **CLAIM**

The ornamental design for a grill handle towel bar assembly, as shown and described.

(51) **LOC (12) Cl.** **07-02**

DESCRIPTION

(52) **U.S. Cl.**
USPC **D7/402**; D8/316

(58) **Field of Classification Search**
USPC D7/332-337, 352, 353, 393, 407-411;
D6/523, 524, 549; D8/315-320; D15/89;
D23/304; D32/3
CPC .. A47J 37/067; A47J 37/0694; A47J 37/0786;
A47J 37/0704; A47J 37/0713; A47J
37/0781; A47J 37/0777; A47J 37/0763;
A47J 37/0611; A47J 37/0709; A47J
37/0676; F24C 15/16
See application file for complete search history.

FIG. 1 is a front, left perspective view of my new design for a grill handle towel bar assembly shown in a grilling environment;

FIG. 2 is a top, right perspective view of the grill handle towel bar assembly of FIG. 1;

FIG. 3 is a front elevation view thereof;

FIG. 4 is a rear elevation view thereof;

FIG. 5 is a top plan view thereof;

FIG. 6 is a bottom plan view thereof;

FIG. 7 is a left side elevation view thereof;

FIG. 8 is a right side elevation view thereof; and,

FIG. 9 is a top, front, left perspective exploded view thereof.

The broken lines in the drawings depict environmental subject matter only and form no part of the claimed design.

(56) **References Cited**

U.S. PATENT DOCUMENTS

2,374,787 A 5/1945 Spiegel et al. A47K 10/04
211/105.1

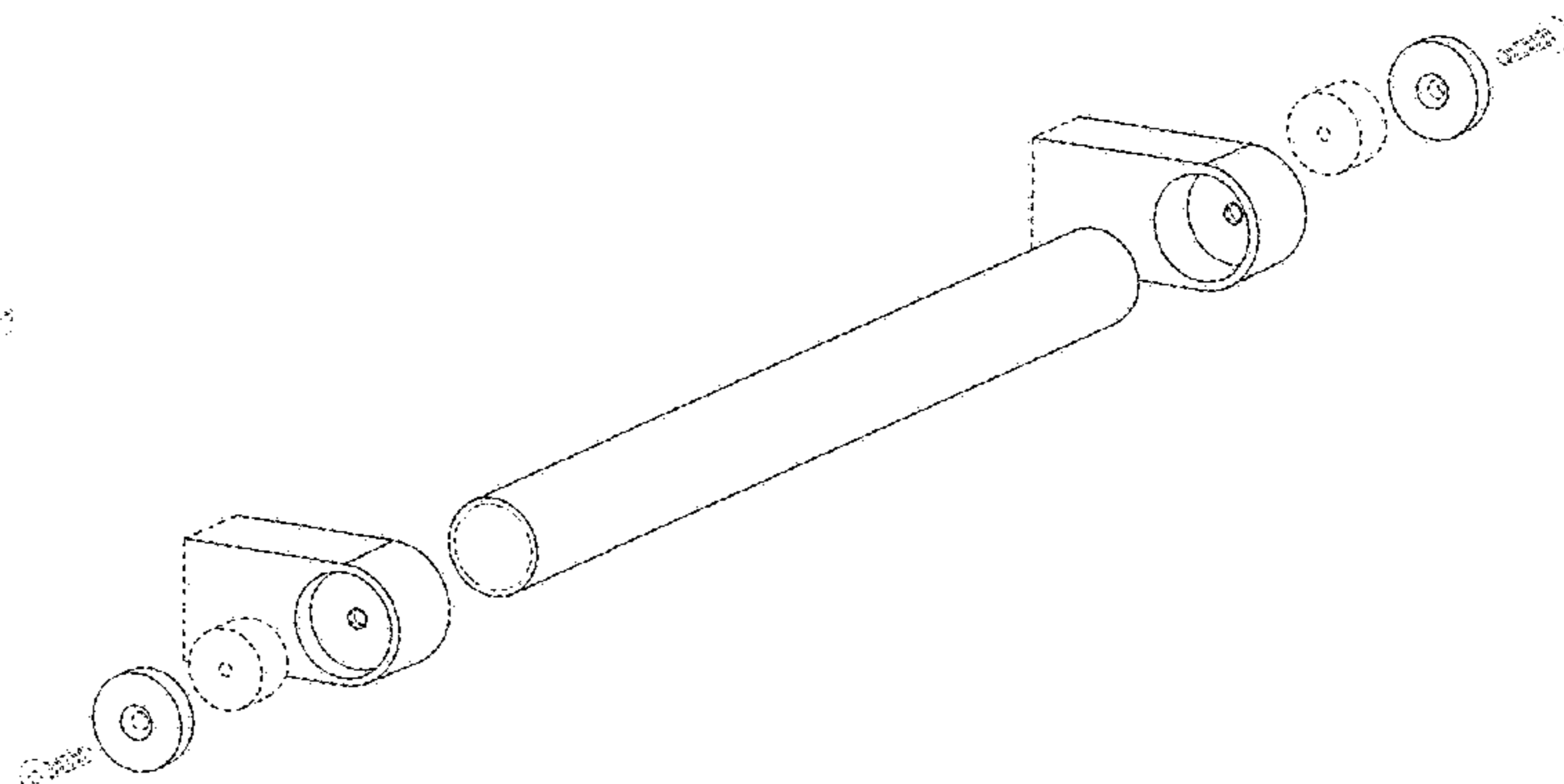
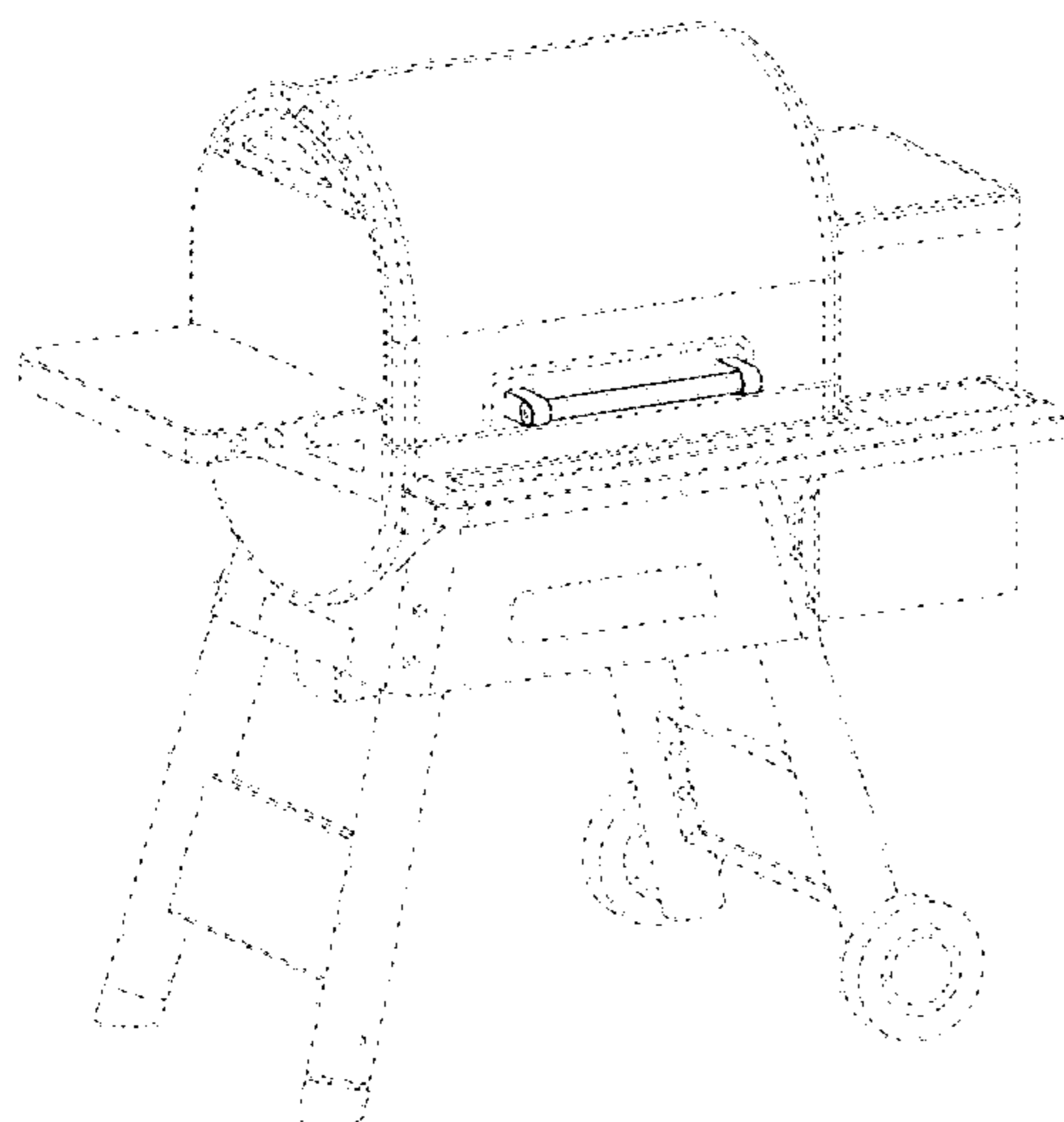
D179,940 S * 3/1957 Gulliksen D8/319

D254,461 S 3/1980 Raymond D6/549

(Continued)

1 Claim, 6 Drawing Sheets

Matter enclosed in heavy brackets [] appears in the original patent but forms no part of this reissue; matter printed in italics indicates the additions made by reissue.



AMENDED

(56)

References Cited

U.S. PATENT DOCUMENTS

D258,228 S * 2/1981 Rumbaugh D15/18
 D270,433 S 9/1983 Sun D11/129
 D271,658 S 12/1983 Legerius et al. D8/107
 D274,123 S * 6/1984 Tegner D8/316
 D334,315 S * 3/1993 Bengtson D23/304
 5,860,538 A 1/1999 Duero A47K 10/08
 16/436
 5,887,200 A 3/1999 Aoyama G03B 13/02
 396/50
 D433,141 S 10/2000 Nash et al. D24/189
 D433,144 S 10/2000 Park D24/203
 D455,034 S * 4/2002 Ou-Young D6/523
 D469,185 S 1/2003 Lodge D24/224
 6,810,792 B1 11/2004 Knight A47J 36/38
 99/340
 D516,350 S 3/2006 Chen D6/549
 D516,368 S 3/2006 Zhang D7/337
 D525,829 S 8/2006 Chung D7/402
 D534,755 S 1/2007 Knight D7/332
 D546,619 S * 7/2007 McHutchison D7/352
 D549,038 S 8/2007 Chung D7/337
 D564,729 S 3/2008 Fisher D7/402
 D568,100 S * 5/2008 Jeon D7/402
 D572,109 S 7/2008 Busalt et al. D8/316
 D572,111 S 7/2008 Busalt D8/316
 D586,448 S * 2/2009 Lammel D23/304
 D611,292 S 3/2010 Chung D7/337
 D618,036 S 6/2010 Chung D7/334
 D654,311 S * 2/2012 Benold D7/402
 9,089,245 B1 7/2015 Pamphilis A47K 10/04
 D745,362 S * 12/2015 Grasselli D8/315
 D758,827 S 6/2016 Grasselli D8/315
 D764,230 S * 8/2016 Shoemaker D7/405
 D781,642 S * 3/2017 Incukur D7/393
 D785,366 S * 5/2017 Andrew D6/549
 D791,418 S * 7/2017 Warren D32/3
 D796,250 S 9/2017 Chung D7/337
 D802,353 S 11/2017 Chung D7/337
 2005/0284590 A1 12/2005 Mariconti A47K 10/02
 160/349.1
 2007/0017384 A1 * 1/2007 Serra A47J 37/0611
 99/372
 2008/0121598 A1 5/2008 Brinson A47K 10/04
 211/88.04
 2009/0236299 A1 9/2009 Hall A47K 10/02
 211/16
 2009/0308260 A1 * 12/2009 Trost A47J 37/0611
 99/349
 2016/0081519 A1 3/2016 Manko A47K 10/04
 211/16

FOREIGN PATENT DOCUMENTS

CA 70139 2/1992
 CA 112390 1/2007
 CA 113271 2/2007
 CA 121566 3/2009
 CA 151895 2/2015
 CN 202179490 4/2012
 CN 202179490 U 4/2012
 CN 202179491 4/2012
 CN 202179491 U 4/2012
 CN 302552715 8/2013
 CN 201330053210 8/2013
 DE 36399965 9/1987
 DE 36399965 5/1988
 DE M9107853-0006 5/1992
 DE M9207084-0022 7/1993
 DE M9309983-0002 7/1994
 DE M9400240-0016 7/1994
 DE M9400134-001 8/1994
 DE M9400134-0001 8/1994
 DE M9400134-0003 8/1994
 DE M9704177-0032 10/1997

DE M9704177-0032.1 10/1997
 DE M9704177-0035 10/1997
 DE M9704177-0035.1 10/1997
 DE M9704177-0036 10/1997
 DE M9704177-0036.1 10/1997
 DE M9704790-0018 12/1997
 DE M9705758-0001 12/1997
 DE M9705758-0001.1 12/1997
 DE M9801713-0001 10/1998
 DE M9801713.0001.1 10/1998
 DE M9806095-0005 1/1999
 DE 49809674-0007 5/1999
 DE 49904101-0008 8/1999
 DE 49904101-0008.1 8/1999
 DE 49904101-0009 8/1999
 DE 49904101-0009.1 8/1999
 DE 49904101-0015 8/1999
 DE 49904101-0015.1 8/1999
 DE 49904356-0002 11/1999
 DE 49904356-0002.1 11/1999
 DE 49908015-0005 1/2000
 DE 49908015-0005.1 1/2000
 DE 40002388-0002 7/2000
 DE 40002388-0002.1 7/2000
 DE 49907614-0019 8/2000
 DE 49907614-0019.1 8/2000
 DE 499076414-0016 8/2000
 DE 40008059-0011 4/2001
 DE 40008059-0011.1 4/2001
 DE 40006705-0012 5/2001
 DE 40006795-0012.1 5/2001
 DE 40101468-0008 9/2001
 DE 40101468-0008.1 9/2001
 DE 40101468-0011 9/2001
 DE 40101468-0011.1 9/2001
 DE 40101379-0005 2/2002
 DE 40101379-0005.1 2/2002
 DE 40101379-0006 2/2002
 DE 40101379-0006.1 2/2002
 DE 40104477-0046 2/2002
 DE 40104477-0046.1 2/2002
 DE 40201060-0023 7/2002
 DE 499076414-0016.1 8/2002
 DE 40201262-0011 10/2002
 DE 40201262-0011.1 10/2002
 DE 40205869-0040 11/2002
 DE 40205869-0040.1 11/2002
 DE 40205869-0041 11/2002
 DE 40205869-0041.1 11/2002
 DE 40205869-0042 11/2002
 DE 40205869-0042.1 11/2002
 DE 40205869-0043 11/2002
 DE 40205869-0043.1 11/2002
 DE 40302619-0010 11/2003
 DE 40302619-0010.1 11/2003
 DE 000303706-0014 5/2005
 DE 000514765-0005 6/2006
 DE 000148242-0005 8/2006
 DE 40706296-0006 6/2008
 DE 402008001567-000 7/2008
 DE 402008001567-0008 7/2008
 DE 202010009932 10/2010
 DE 202010009932 U1 10/2010
 DE 001223739-0025 12/2010
 DE 001831710-0012 3/2011
 DE 402011005347-001 1/2012
 DE 402011005347-0018 1/2012
 DE 001223739-0022 1/2013
 DE 402012005581-001 4/2013
 DE 402012005581-0014 4/2013
 DE 002200527-0025 5/2013
 DE 402014000227-000 3/2014
 DE 402014000227-0007 3/2014
 DE 402014001067-000 5/2014
 DE 402014001067-0003 5/2014
 DE 402014001067-0004 5/2014
 DE 402015200850-000 5/2015
 DE 402015200850-0001 5/2015
 DE 402015200850-0002 5/2015

(56)

References Cited

FOREIGN PATENT DOCUMENTS

DE	402015200850-0003	5/2015
EM	000514765-0001	4/2006
EM	000514765-0003	4/2006
EM	000514765-0001	6/2006
EM	000514765-0003	6/2006
EM	000563804-0008	7/2006
EM	000563804-0008	8/2006
EM	000662895-0003	2/2007
EM	000662895-0003	3/2007
EM	000798384-0002	9/2007
EM	000798384-0002	11/2007
EM	000856984-0031	1/2008
EM	000856984-0031	2/2008
EM	001019095-0002	10/2008
EM	001019095-0002	11/2008
EM	001895103-0004	7/2011
EM	002589747-0004	12/2014
EM	002589747-0005	12/2014
ES	10148775-0001	1/2001
ES	D0501475	8/2005
ES	D0506386-0012	8/2008
JP	1201276	2/2004
JP	1201276	4/2004
JP	2004-251301 A	9/2004
JP	2004251301	9/2004
JP	2008-119242 A	5/2008
JP	2008119242	5/2008
JP	1394160	8/2010
JP	1411633	4/2011
JP	2012-040249 A	3/2012
JP	2012049249	3/2012
JP	1495807	4/2014
JP	1544590	2/2016
KR	20-2011-0008876	9/2011
KR	20110008876	9/2011
KR	20-0458901	3/2012
KR	10-2013-0021618 A	3/2013
KR	20130021618	3/2013
NZ	406168	6/2005
PL	05460	7/2004
PL	RP.05460	7/2004
TW	457922	10/2001
TW	M518059	3/2016
WO	DM/048593	12/1999
WO	065312	5/2004
WO	65312	5/2004
WO	DM/066389	8/2005
WO	67435	2/2006
WO	067435	2/2006

OTHER PUBLICATIONS

<http://www.grapevinesally.com/vintage-gaffers-sattler-gas-stove-part-short-oven-door-handle/>; Grapevine Sally; Gaffers & Sattler; Vintage Gaffers & Sattler Gas Stove Part—Short Oven Door Handle; Jun. 15, 2015.

<https://www.appliancefactoryparts.com/gasgrillparts/brands/brinkmann/810-3-810-s.html>; Appliance Factory Part; Brinkmann 810-3810-S; Jul. 2, 2015.

<https://www.appliancefactoryparts.com/gasgrillparts/brands/brinkmann/810-3214-0.html>; Appliance Factory Part; Brinkman 810-3214-0; Sep. 6, 2015.

<http://tvwbb.com/showthread.php?40489-My-Genesis-1000-red-head-is-donel>; The Virtual Weber Bulletin Board; Thread: My Genesis 1000 red head is done!; Apr. 17, 2015.

https://www.caterkwik.cauk/cgi-bin/trolleyed_public.cgi?action=showprod_ARCHWAY3BSCL; Cater-Kwik; Archway 3BS/3BL 3 Burner Classic Charcoal Grill; Jul. 2, 2013.

<http://home.howstuffworks.com/grill.htm>; Howstuffworks Home & Garden; How Grills Work; Sep. 6, 2015.

<http://www.houzz.com/photos/188288/Wolf-42-Outdoor-Gas-Grill-outdoor-grills>; Houzz; Wolf 42" Outdoor Gas Grill; Dec. 26, 2014.

http://www.bbqguys.com/item_item_2881068.html; BBQGUYS; Caliber CrossFlame Silver 41—Inch Freestanding Propane Gas Grill With Sear Burner and Rotisserie—Wood Handle; Sep. 5, 2015.

http://www.bbqguys.com/item_item_2883786.html; BBQGUYS; Caliber CrossFlame Pro 60—Inch Built-In Natural Gas Grill With Sear Burner and Double Side Burner—Stainless Steel Handle; Sep. 12, 2015.

<http://www.promo-wholesale.com/china/Grills/4/Barbecue-Grill---Rectangular-Chrome-Handle-And-Side-Access-95704.htm>; Promo-Wholesale.Com; Barbecue Grill—Rectangular Chrome Handle and Slide Access; May 23, 2015.

https://www.grillparts.com/mhp/wnk.asp?product_id=GGHANKIT; Grillparts.com; WNK Stainless Steel “Stay Cool” Handle; Apr. 4, 2015.

http://www.smartstuff.se/pages/engelska/eng_grillen_9.asp; Smart Stuff; Seven tips for grilling a tastier steak.; Oct. 23, 2013.

<http://bbq.about.com/od/brinkmanngasgrills/fl/Brinkmann-4-Burner-Propane-Gas-Grill-Model-810-6420-S.htm>; About Food; Brinkmann 4-Burner Propane Gas Grill Model #810-6420-S (Discontinued); Sep. 6, 2015.

<http://www.goodhousekeeping.com/appliances/outdoor-grill-reviews/a29633/brinkmann-ranger-2-burner-gas-grill-810-4220-5/>; Good Housekeeping; Brinkmann Ranger 2-Burner Gas Grill #810-4220-5; Sep. 13, 2015.

<http://www.charbroil.com/products/charcoal-grills/box/deluxe-charcoal-box-grill>; Char-Broil; Deluxe Charcoal Box Grill; Apr. 19, 2015.

<http://www.charbroil.com/products/charcoal-grills>; CHAR_BROIL; Charcoal Grills-Kettleman; Apr. 17, 2015.

http://www.novascan.com/products/acoustic_isolation.php; Novascan; Acoustic Hoods & Mechanical Noise Isolation Chambers for AFM and Sensitive Instruments; May 9, 2008.

<http://thefireworks.org/> The Fireworks; Jul. 6, 2015.

<http://www.mhpgrills.com/grills/wnk/>; MHP Outdoor Grills; WNK 4 Grill; May 25, 2015.

http://www.patioandhearthproductsreport.com/index.php/product/kitchenaid_dual_lid_gas_grill; Patio & Hearth Products Report; Kitchenaid Dual-lid Gas Grill; Aug. 16, 2015.

<http://www.rayscomments.com/comment-catagories/barbecue/71-backyard-classic-pro-charcoalwood-grill.html>; Ray’s Comments; Backyard Classic Pro Charcoal/Wood Grill; Jun. 27, 2015.

<http://www.kitchenaid.com/shop/accessories-1/major-appliance-accessories-2-/dishwashers-3/-%5bW10708004%5d-5516100/W10708004/>; Kitchenaid; Handle Kit w/ two Red Medallions for Panel-Ready Dishwasher; Sep. 5, 2015.

<http://web.archive.org/web/20131008210545/http://prestigedistribution.com/towel-bar-round-stainless-steel-asi-0755-ss.html>; Prestige Distribution, Inc.; Towel Bar Round Stainless Steel—ASI 0755-SS; Oct. 8, 2013.

<http://www.sz-wholesaler.com/p/1172/1184-2/towel-bar-zh-3124-614609.html>; SZ-Wholesaler.com; Towel Bar (ZH 3124); Sep. 20, 2014.

<https://www.mandmlandscapes.com/>; M&M Professional Landscaping; Outdoor Kitchens; Dec. 21, 2014.

<http://web.archive.org/web/20150911105612/http://www.ikea.com/gb/en/>; IKEA; Sep. 11, 2015.

Non-Final Office Action for U.S. Appl. No. 29/583,235 dated Apr. 17, 2018.

Non-Final Office Action for U.S. Appl. No. 29/583,239 dated Apr. 17, 2018.

* cited by examiner

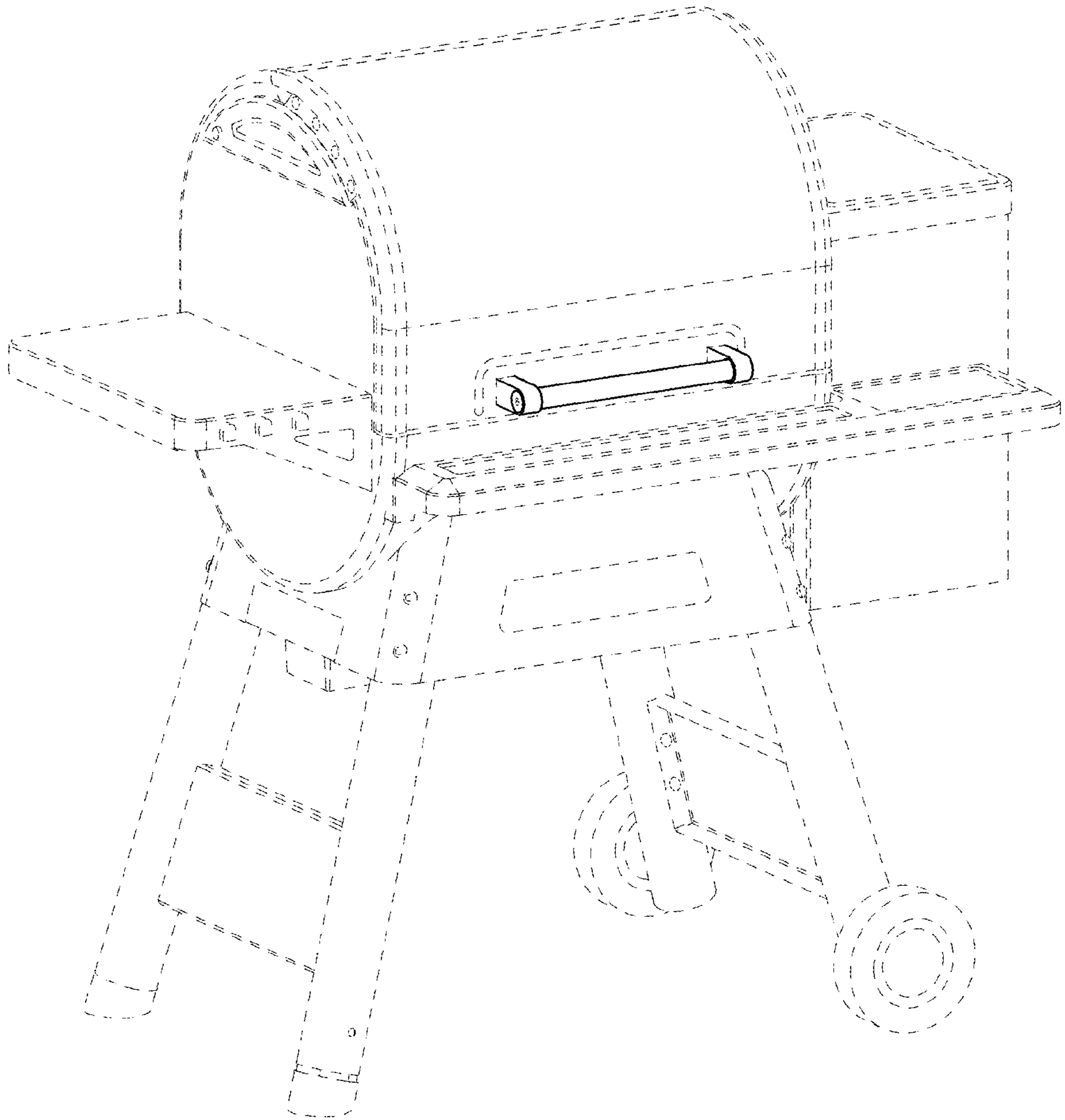


FIG. 1

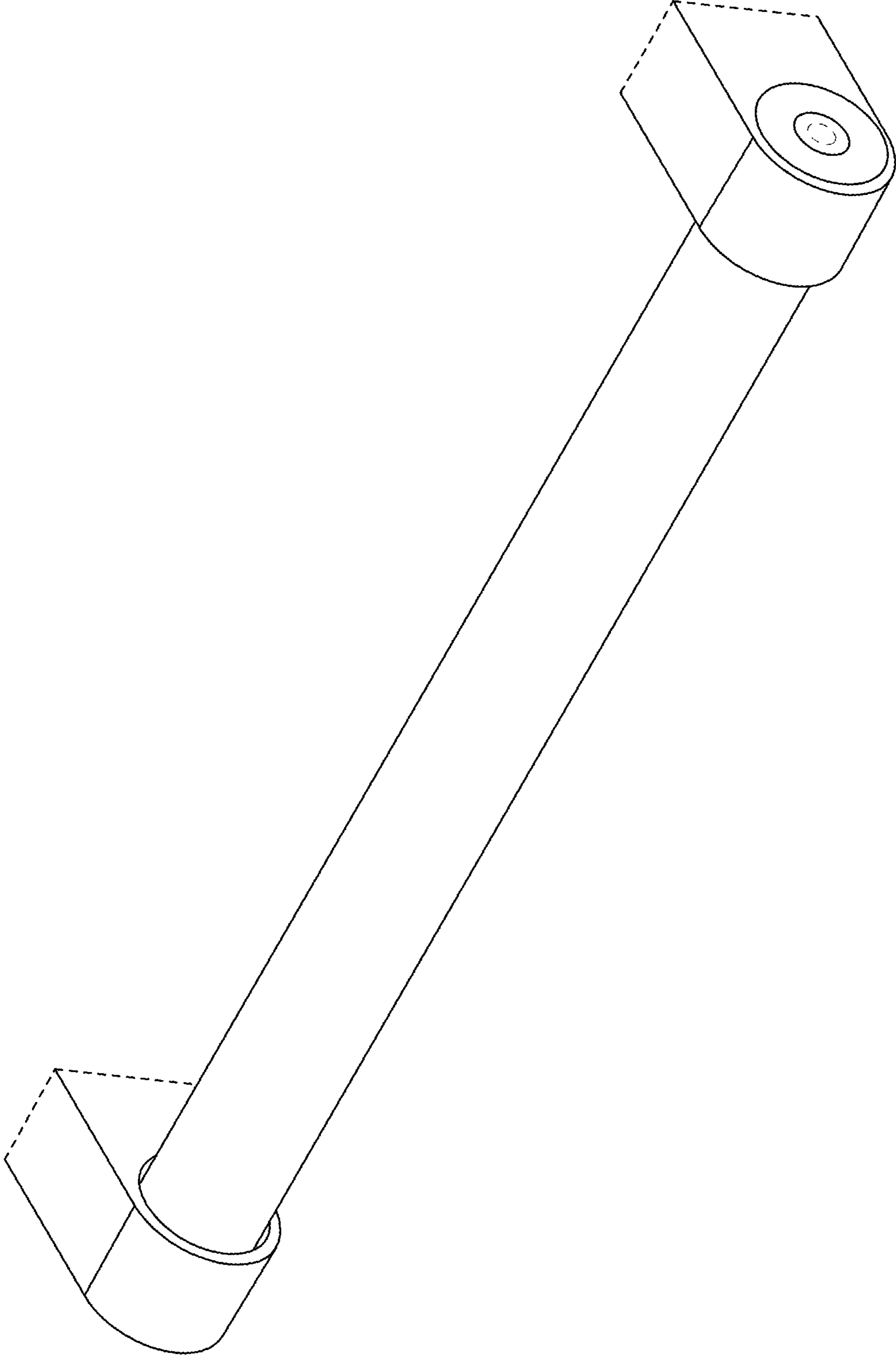


FIG. 2

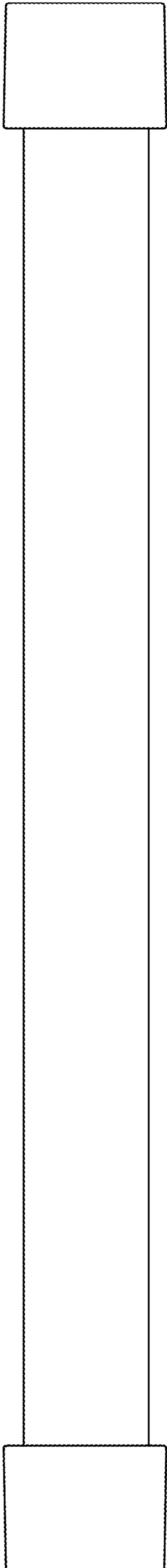


FIG. 3

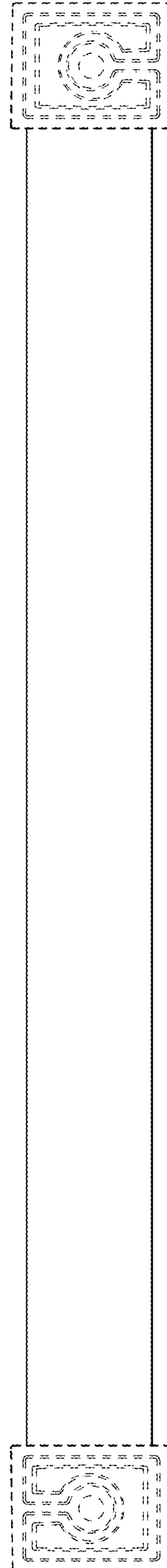


FIG. 4

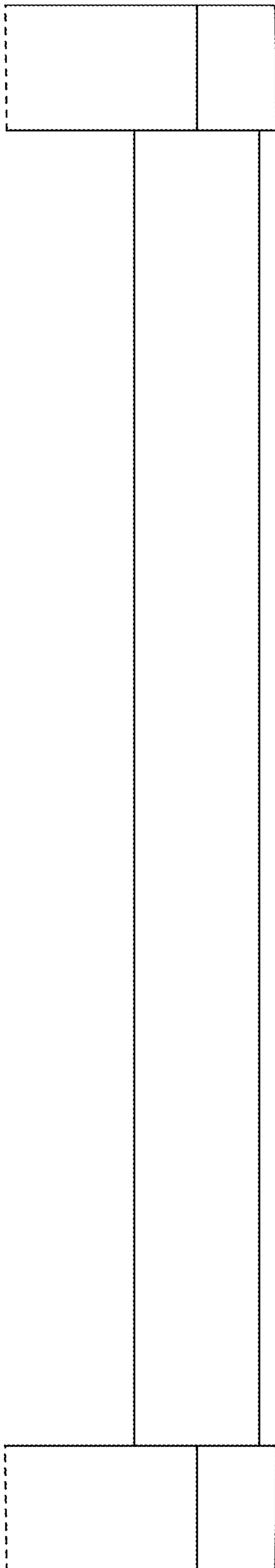


FIG. 5

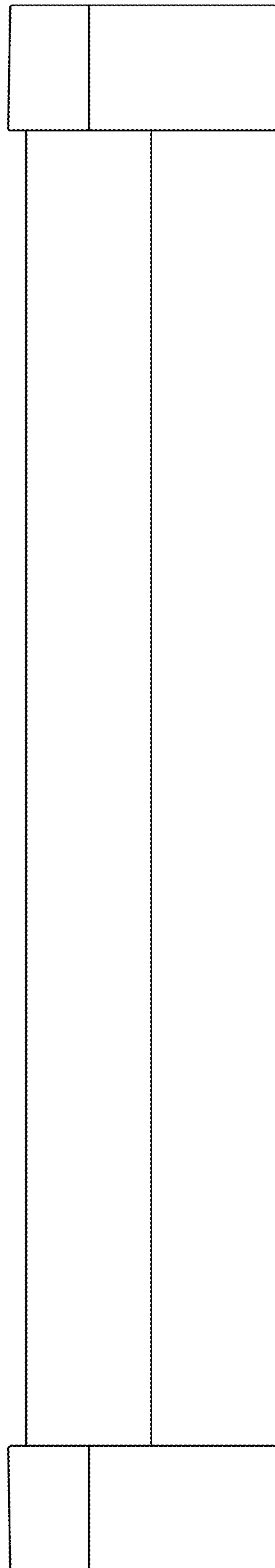


FIG. 6

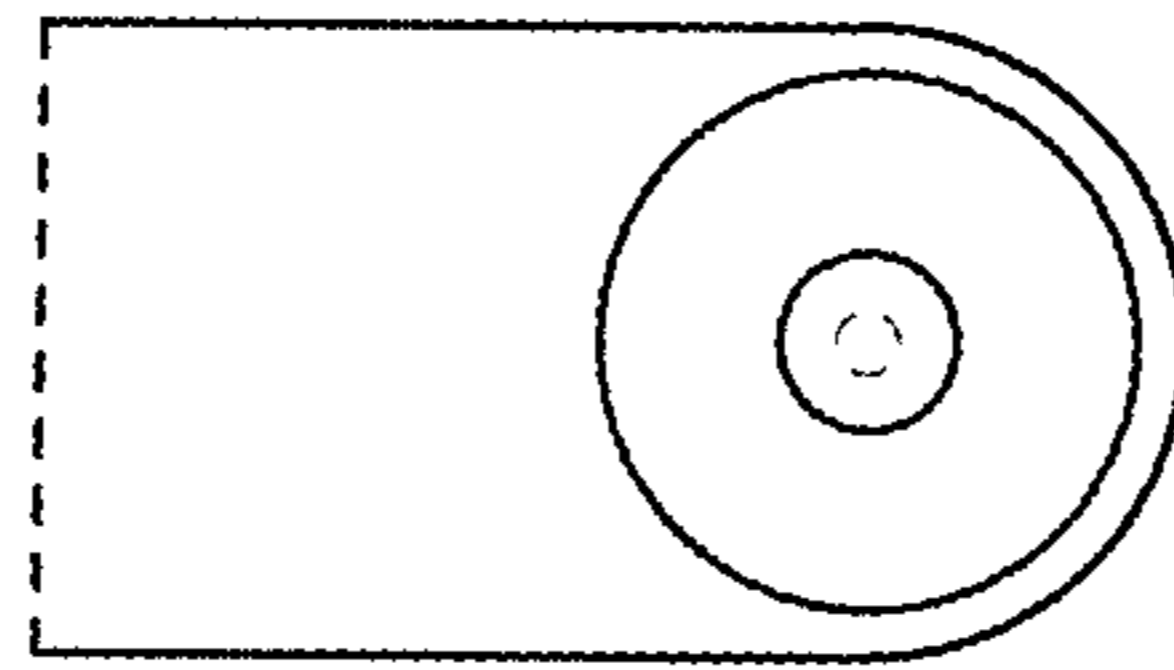


FIG. 7

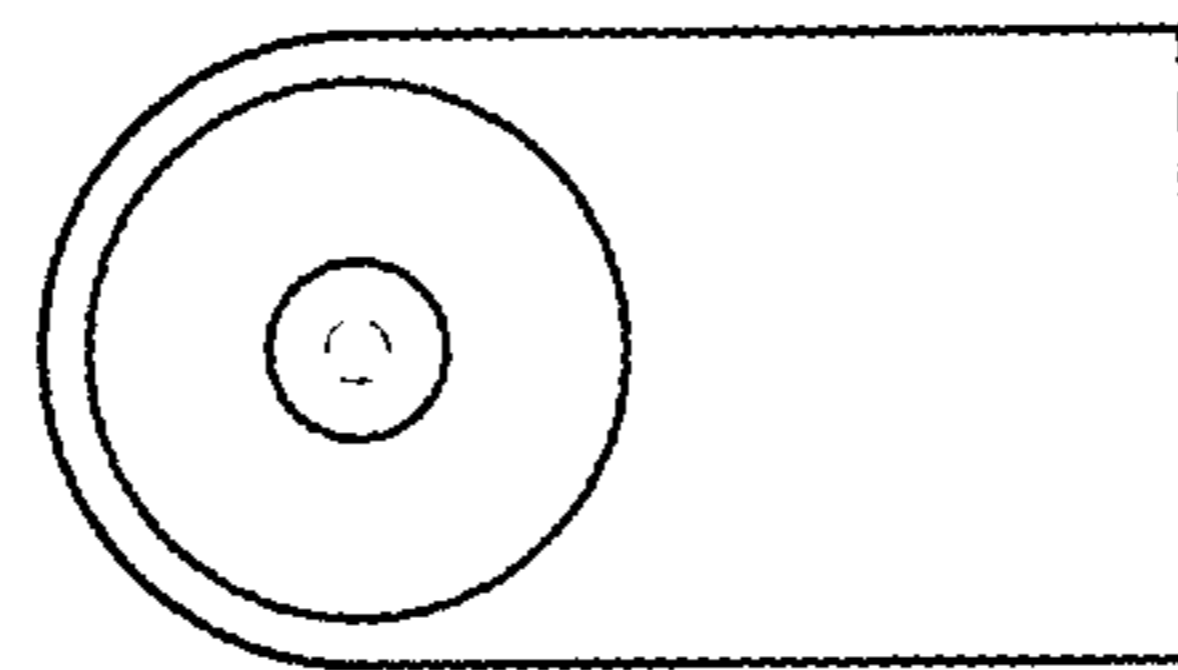
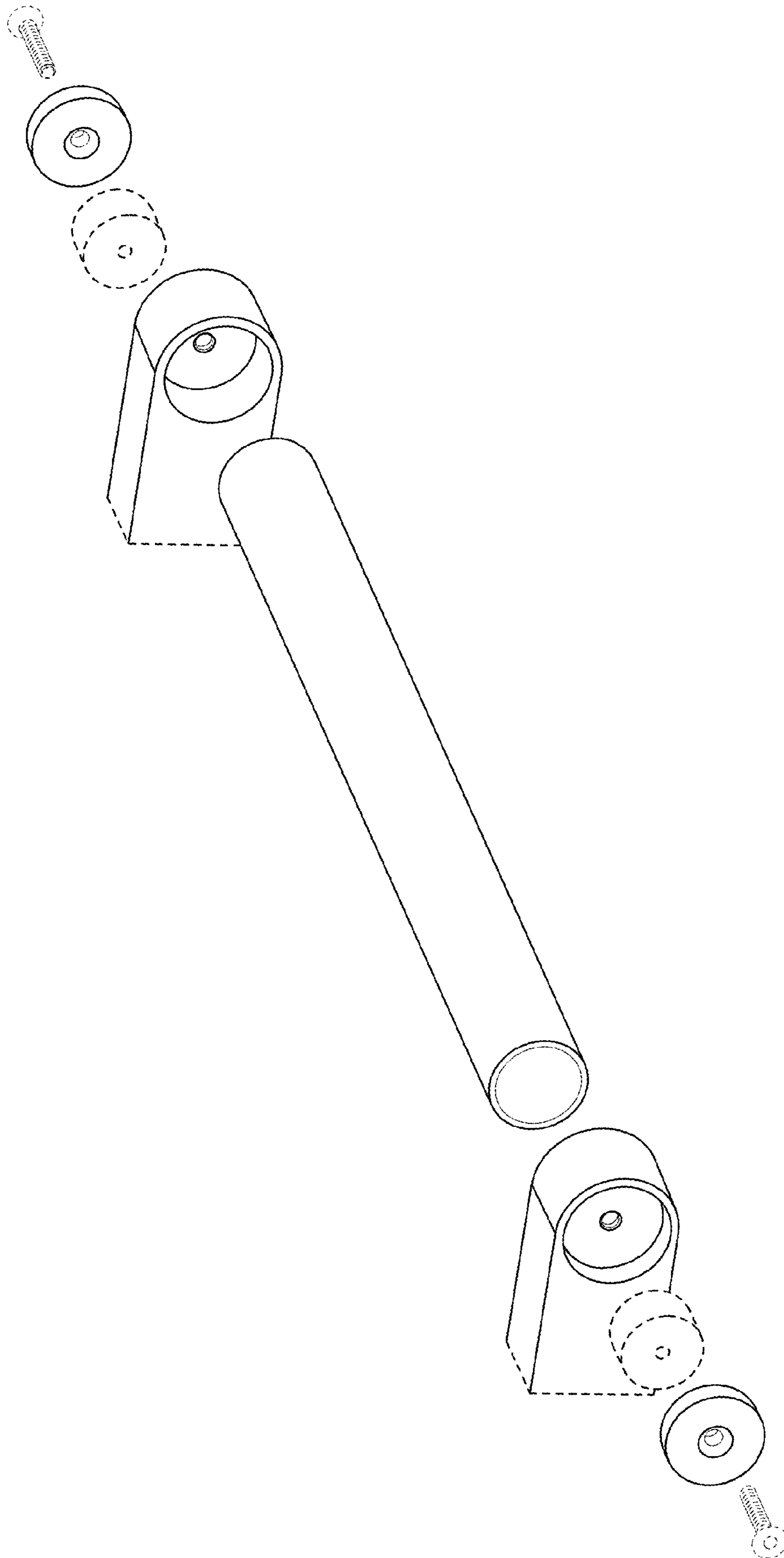


FIG. 8



AMENDED
FIG. 9