

US00RE48147E

(19) **United States**
(12) **Reissued Patent**
Taylor et al.

(10) **Patent Number:** **US RE48,147 E**
(45) **Date of Reissued Patent:** **Aug. 4, 2020**

(54) **16K MODE INTERLEAVER IN A DIGITAL VIDEO BROADCASTING (DVB) STANDARD**

(58) **Field of Classification Search**
CPC H03M 13/2732; H04L 5/0044; H04L 27/2601; H04L 27/2649
See application file for complete search history.

(71) Applicant: **SATURN LICENSING LLC**, New York, NY (US)

(56) **References Cited**

(72) Inventors: **Matthew Paul Athol Taylor**, Ringwood (GB); **Samuel Asangbeng Atungsiri**, Basingstoke (GB); **John Nicholas Wilson**, Swallowfield (GB)

U.S. PATENT DOCUMENTS

5,799,033 A 8/1998 Baggen
6,263,081 B1 7/2001 Miyaji et al.
(Continued)

(73) Assignee: **SATURN LICENSING LLC**, New York, NY (US)

FOREIGN PATENT DOCUMENTS

(21) Appl. No.: **15/700,710**

EP 1 463 255 A1 9/2004
EP 1 463 256 A1 9/2004
(Continued)

(22) Filed: **Sep. 11, 2017**

Related U.S. Patent Documents

Reissue of:

(64) Patent No.: **8,369,434**
Issued: **Feb. 5, 2013**
Appl. No.: **13/301,260**
Filed: **Nov. 21, 2011**

U.S. Applications:

(62) Division of application No. 14/614,197, filed on Feb. 4, 2015, now Pat. No. Re. 46,550, which is an
(Continued)

(30) **Foreign Application Priority Data**

Oct. 30, 2007 (GB) 0721269.9
Oct. 30, 2007 (GB) 0721271.5
(Continued)

(51) **Int. Cl.**

H04K 1/10 (2006.01)
H04L 27/26 (2006.01)
(Continued)

(52) **U.S. Cl.**

CPC **H04L 27/2601** (2013.01); **H04L 1/0071** (2013.01); **H04L 5/0044** (2013.01);
(Continued)

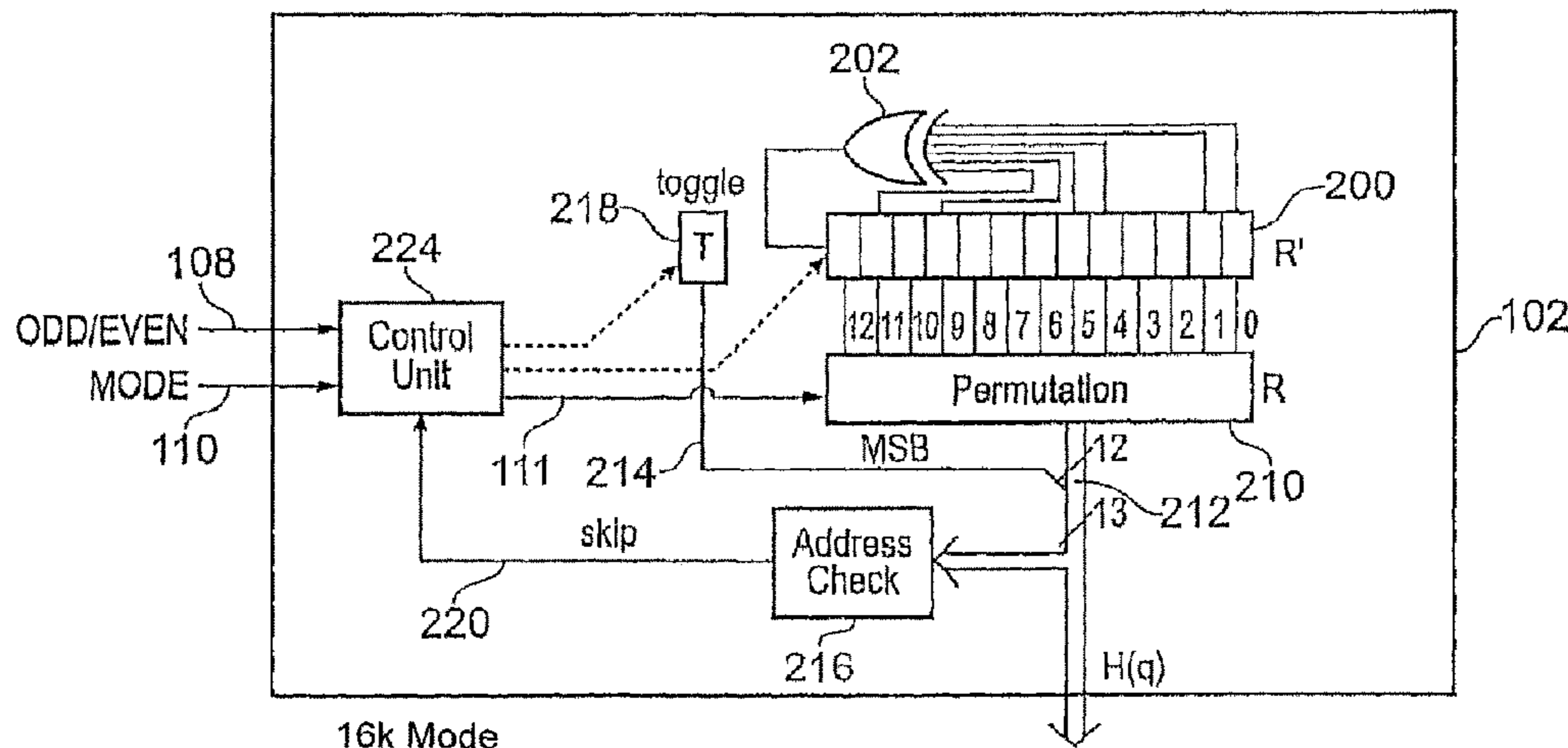
OTHER PUBLICATIONS

Afshari, "A Novel Symbol Interleaver Address Generation Architecture for DVB-T Modulator" International Symposium on Communications and Information technologies, 2006, ISCIT '06, Publication Year: 2006, pp. 989-993.
(Continued)

Primary Examiner — Linh M Nguyen
(74) *Attorney, Agent, or Firm* — Oblon, McClelland, Maier & Neustadt, L.L.P.

(57) **ABSTRACT**

A data processing apparatus maps input symbols to be communicated onto a predetermined number of sub-carrier signals of an Orthogonal Frequency Division Multiplexed (OFDM) symbol. The data processor includes an interleaver memory which reads-in the predetermined number of data symbols for mapping onto the OFDM sub-carrier signals. The interleaver memory reads-out the data symbols on to the OFDM sub-carriers to effect the mapping, the read-out being in a different order than the read-in, the order being determined from a set of addresses, with the effect that the data symbols are interleaved on to the sub-carrier signals. The set of addresses are generated from an address generator which
(Continued)



comprises a linear feedback shift register and a permutation circuit.

16 Claims, 12 Drawing Sheets

Related U.S. Application Data

application for the reissue of Pat. No. 8,369,434, which is a division of application No. 12/249,306, filed on Oct. 10, 2008, now Pat. No. 8,155,178.

(30) **Foreign Application Priority Data**

Nov. 19, 2007 (GB) 0722645.9
Nov. 20, 2007 (GB) 0722728.3

(51) **Int. Cl.**
H04L 1/00 (2006.01)
H04L 5/00 (2006.01)

(52) **U.S. Cl.**
CPC *H04L 27/2626* (2013.01); *H04L 27/2647* (2013.01); *H04L 27/2649* (2013.01); *H04L 1/0057* (2013.01)

(56) **References Cited**

U.S. PATENT DOCUMENTS

6,304,985	B1	10/2001	Sindhushayana et al.
6,314,534	B1	11/2001	Agrawal et al.
6,353,900	B1	3/2002	Sindhushayana et al.
6,625,234	B1	9/2003	Cui et al.
7,069,398	B2 *	6/2006	Lin H03M 13/2732 370/208
7,426,240	B2	9/2008	Peron
7,543,197	B2	6/2009	Palanki et al.
8,130,894	B2	3/2012	Peron
8,155,228	B2	4/2012	Peron
8,170,090	B2	5/2012	Taylor et al.
8,170,091	B2	5/2012	Taylor et al.
8,170,092	B2	5/2012	Atungsiri et al.
8,175,142	B2	5/2012	Atungsiri et al.
8,179,954	B2	5/2012	Taylor et al.
8,179,955	B2	5/2012	Taylor et al.
8,199,802	B2	6/2012	Taylor et al.
8,208,524	B2	6/2012	Taylor et al.
8,208,525	B2	6/2012	Taylor et al.
8,306,137	B2	11/2012	Atungsiri et al.
8,320,484	B2	11/2012	Taylor et al.
8,351,528	B2	1/2013	Taylor et al.
8,351,541	B2	1/2013	Taylor et al.
8,396,104	B2	3/2013	Taylor et al.
8,406,339	B2	3/2013	Taylor et al.
2002/0186797	A1	12/2002	Robinson
2004/0246888	A1	12/2004	Peron
2004/0258170	A1	12/2004	Lin
2005/0008084	A1	1/2005	Zhidkov
2006/0062314	A1	3/2006	Palin et al.
2006/0123323	A1	6/2006	Kim et al.
2006/0256708	A1	11/2006	Wang et al.
2006/0282712	A1	12/2006	Argon et al.
2007/0139428	A1	6/2007	Berkeman
2007/0250742	A1	10/2007	Kowalski
2008/0298487	A1	12/2008	Peron
2009/0110091	A1	4/2009	Taylor et al.
2009/0110092	A1	4/2009	Taylor et al.
2009/0110094	A1	4/2009	Taylor et al.
2009/0110095	A1	4/2009	Taylor et al.
2009/0110097	A1	4/2009	Taylor et al.

2009/0110098	A1	4/2009	Taylor et al.
2009/0125780	A1	5/2009	Taylor et al.
2009/0296838	A1	12/2009	Atungsiri et al.
2009/0296840	A1	12/2009	Atungsiri et al.
2009/0300300	A1	12/2009	Treigherman
2010/0296593	A1	11/2010	Atungsiri et al.
2012/0002739	A1	1/2012	Peron

FOREIGN PATENT DOCUMENTS

EP	1 635 473	A2	3/2006
EP	1 662 739	A1	5/2006
JP	10-207695		8/1998
JP	2007-528169	A	10/2007
WO	WO 2005/091509	A1	9/2005
WO	WO 2006/069392	A1	6/2006
WO	WO 2006/136883	A1	12/2006

OTHER PUBLICATIONS

Extended European Search Report dated Jan. 26, 2012, in Patent Application No. 11189831.8.

Extended European Search Report dated Jan. 26, 2012, in Patent Application No. 11189835.9.

Office Action dated Dec. 4, 2012 in Japanese Patent Application No. 2008-277501 (with partial English translation).

Y. Segal et al., "OFDIVI/OFDMA PHY Proposal for TG4 PHY Development", IEEE 802.16 Broadband Wireless Access Working Group, Mar. 4, 2001.

"Digital Video Broadcasting (DVB); Framing Structure, Channel Coding and Modulation for Digital Terrestrial Television" ETSI EN 300 744 V1.5. Jun. 1, 2004.

"Digital Video Broadcasting (DVB); Frame Structure Channel Coding and Modulation for a Second Generation Digital Terrestrial Television Broadcasting System (DVB-T2)". ETSI EN 302 755 V1.1, Oct. 1, 2008.

U.S. Appl. No. 14/701,160, filed Apr. 30, 2015, Atungsiri, et al.

U.S. Appl. No. 14/755,456, filed Jun. 30, 2015, Taylor et al.

U.S. Appl. No. 14/788,176, filed Jun. 30, 2015, Peron, et al.

Laszlo Horvath, et al., "A Novel, High-Speed, Reconfigurable Demapper-Symbol Deinterleaver Architecture for DVB-T", IEEE, Circuits and Systems, vol. 4, XP 10341250, May 30, 1999, pp. 382-385.

Dr. Jonathan DeVile, "Reply to examination report Letter for EP1463256", Aug. 2, 2005, 4 pages.

"Digital Video Broadcasting (DVB); Framing structure, channel coding and modulation for digital terrestrial television", ETSI EN 300 744 V1.4.1, Jan. 2001, 4 pages.

Imed Ben Dhaou, et al., "Performance analysis and low power VLSI implementation of DVB-T receiver", OFDM and DVB-T presentation, Mar. 4, 1999, 3 Pages.

Marc M. Darmon, et al., "A New Pseudo-Random Interleaving for Antijamming Applications", Milcom 89. Bridging the Gap. Interoperability, Survivability, Security. IEEE Military Communications Conference Record, published Oct. 15-18, 1989, IEEE, vol. 1, pp. 6-10.

Afshari, "A Novel Symbol Interleaver Address Generation Architecture for DVB-T Modulator" International Symposium on Communications and Information technologies, 2006, ISCIT '06, Publication Year: 2006, pp. 989-993.

Li, "Hardware implementation of DVB-RCTT modulator", ECS of ICT, KTH Feb. 2006 (see http://web.it.kth.se/~srs/MSc_theses/ZhuLei+ShenjiangLiMSc-thesis.pdf).

U.S. Appl. No. 13/341,532, filed Dec. 30, 2011, Taylor, et al.

U.S. Appl. No. 13/359,928, filed Jan. 27, 2012, Taylor, et al.

U.S. Appl. No. 13/364,640, filed Feb. 2, 2012, Taylor, et al.

U.S. Appl. No. 13/398,506, filed Feb. 16, 2012, Taylor, et al.

U.S. Appl. No. 13/363,467, filed Feb. 1, 2012, Taylor, et al.

* cited by examiner

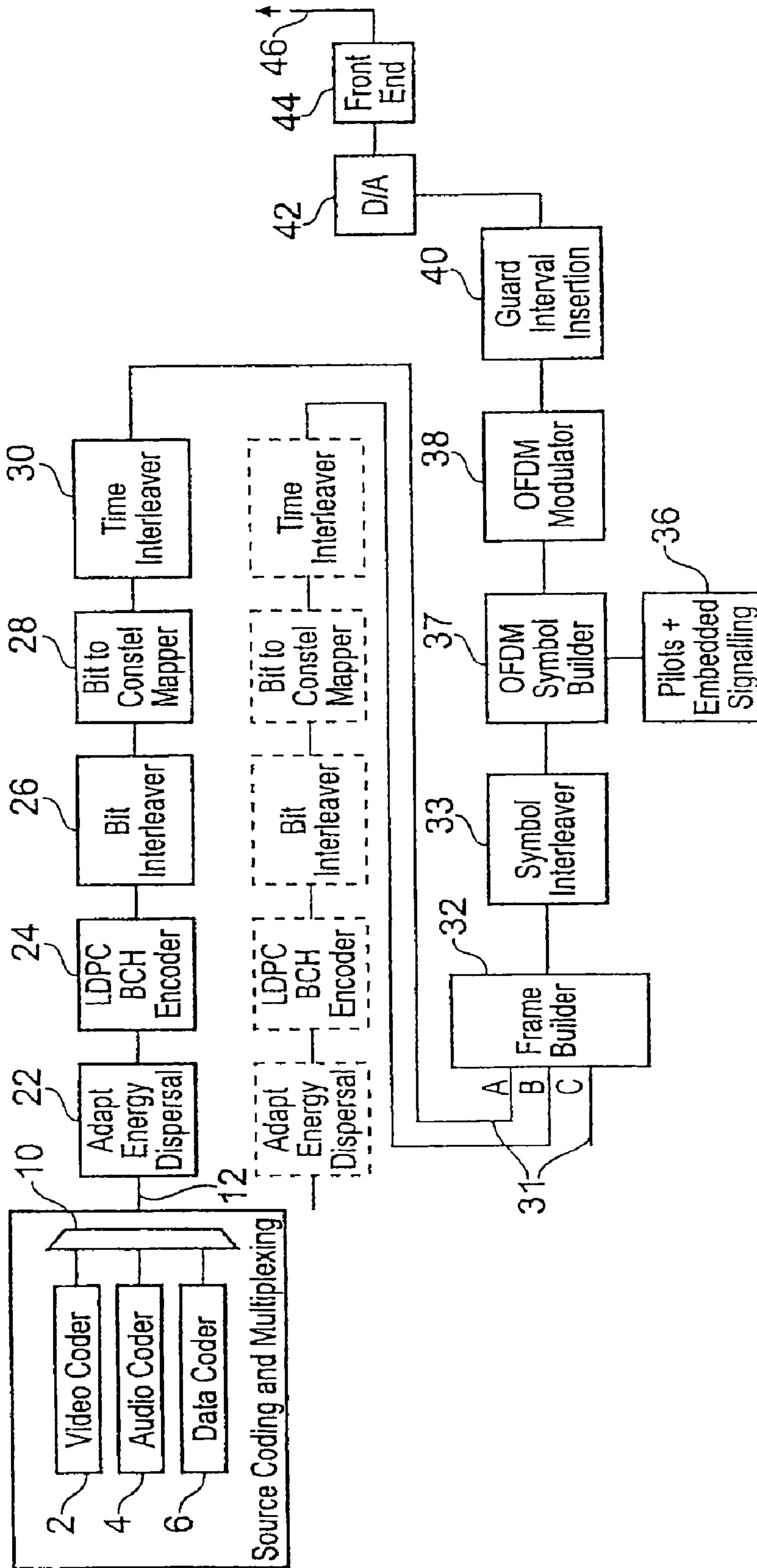


FIG. 1

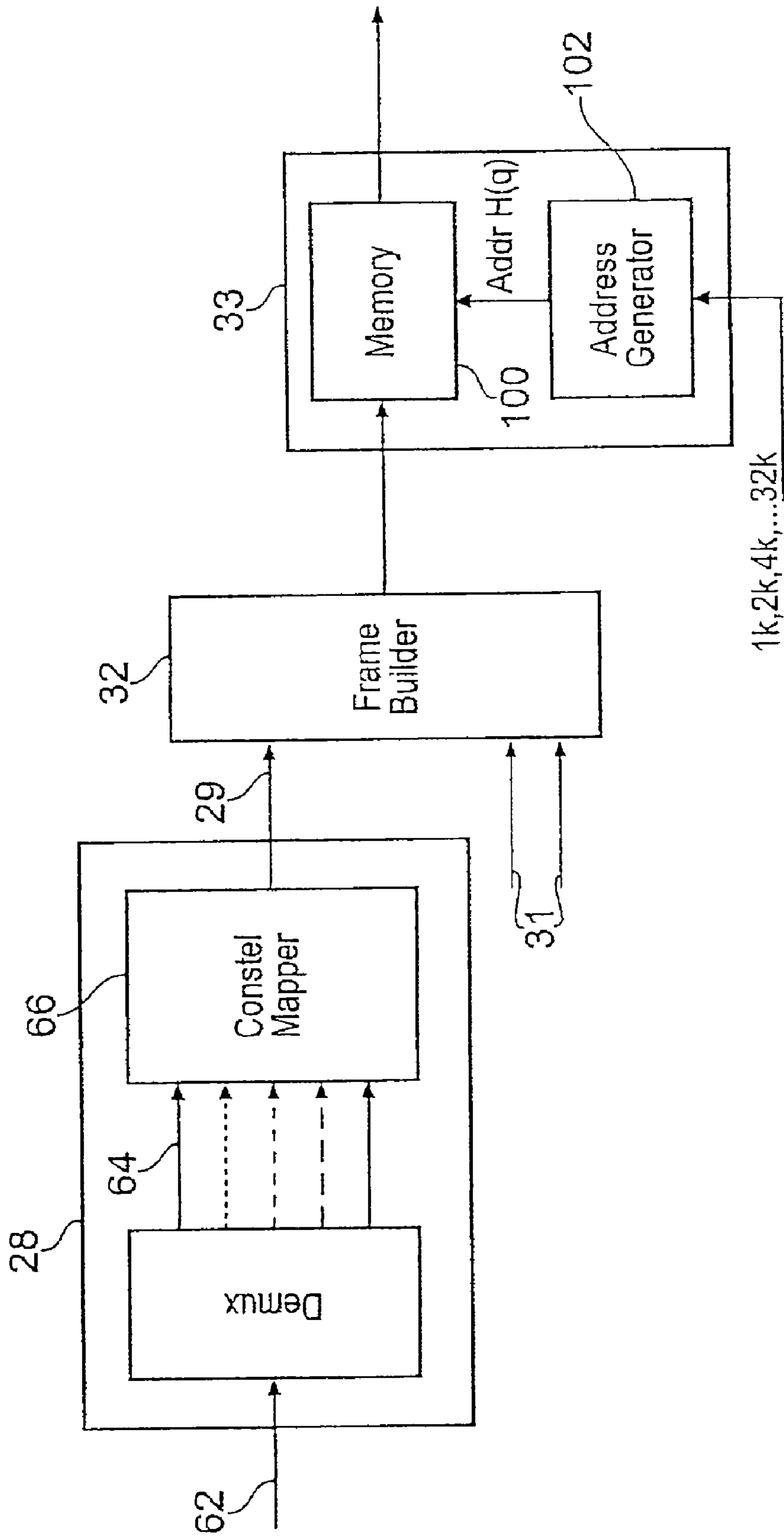


FIG. 2

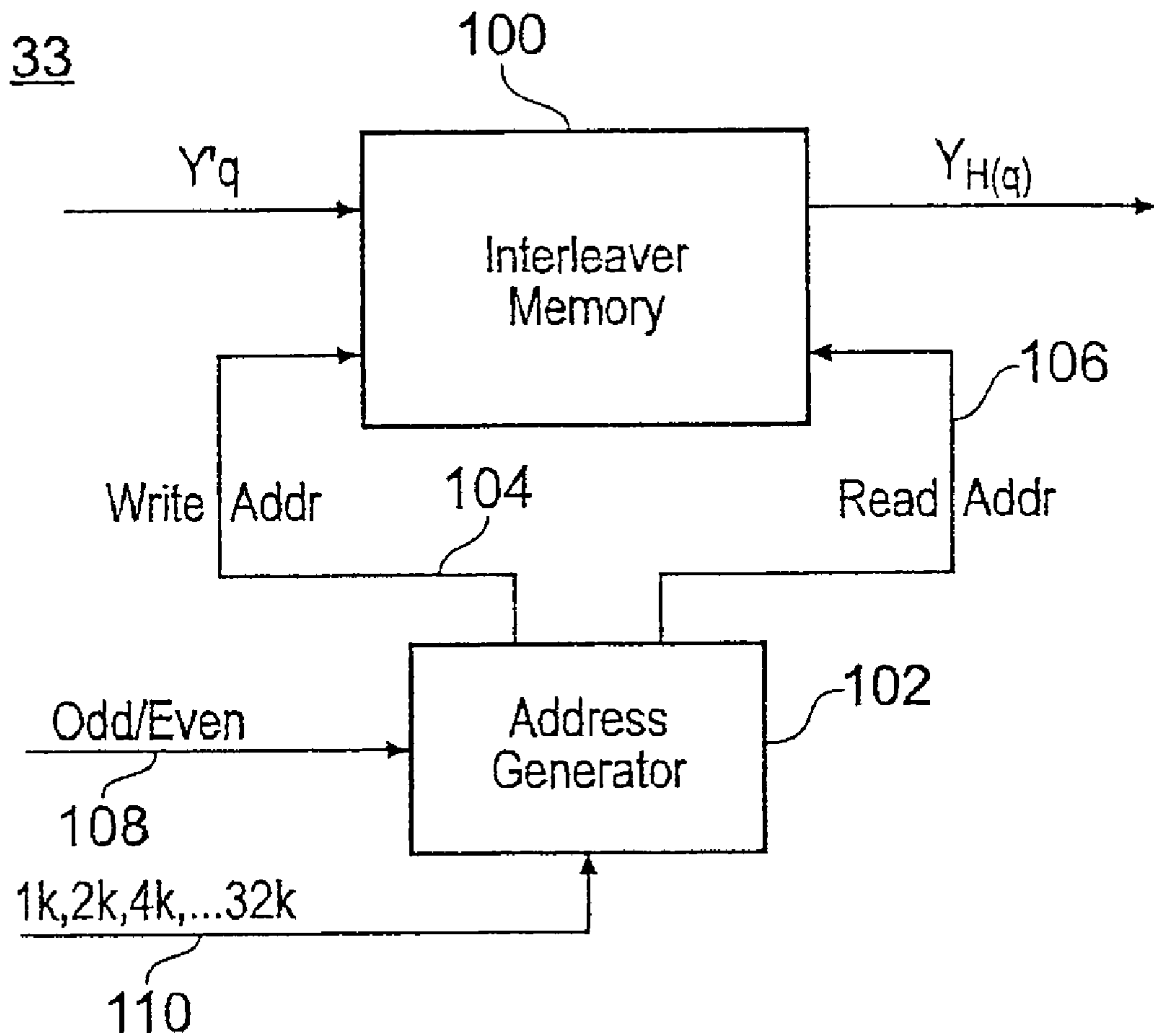


FIG. 3

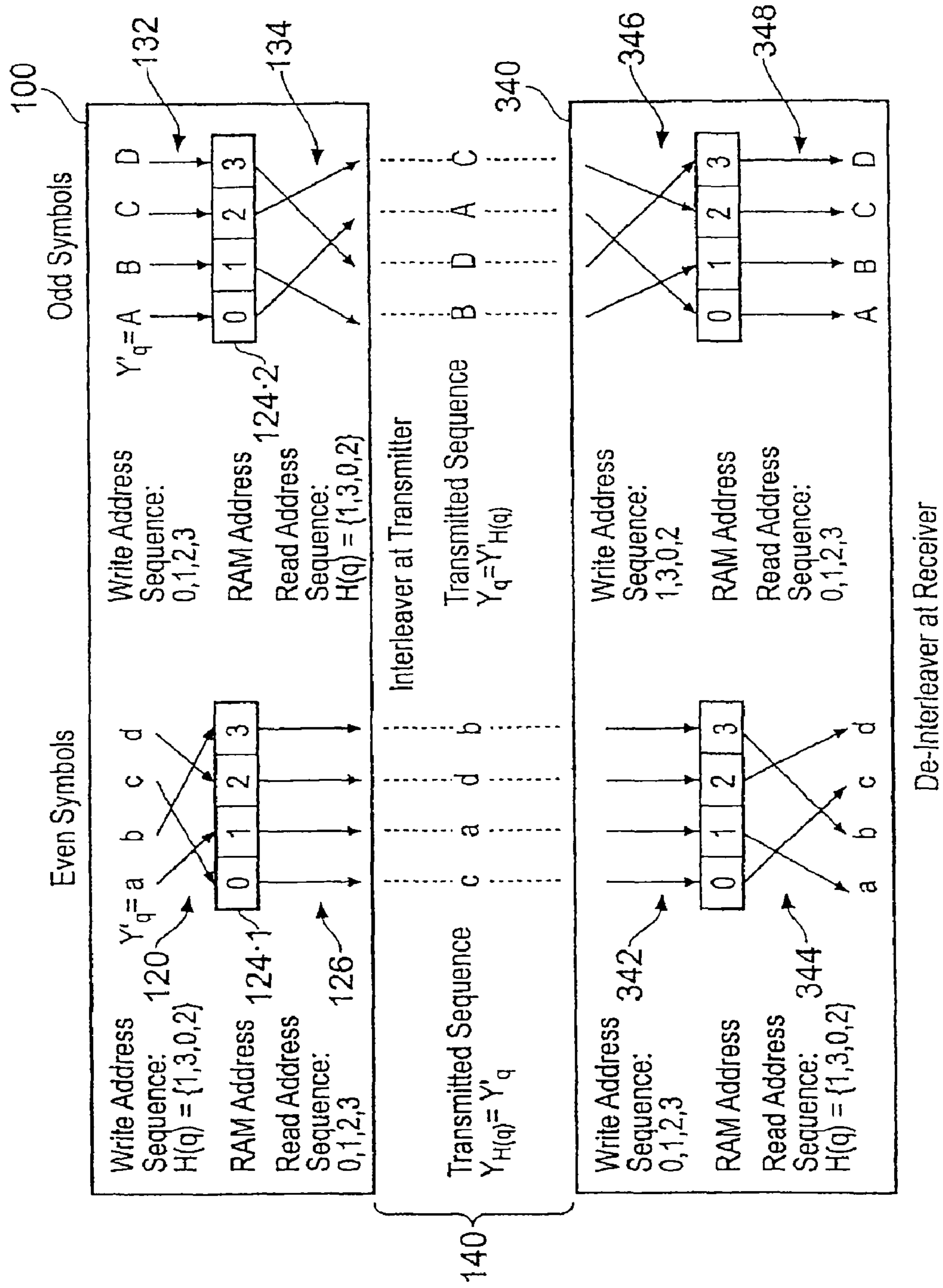


FIG. 4

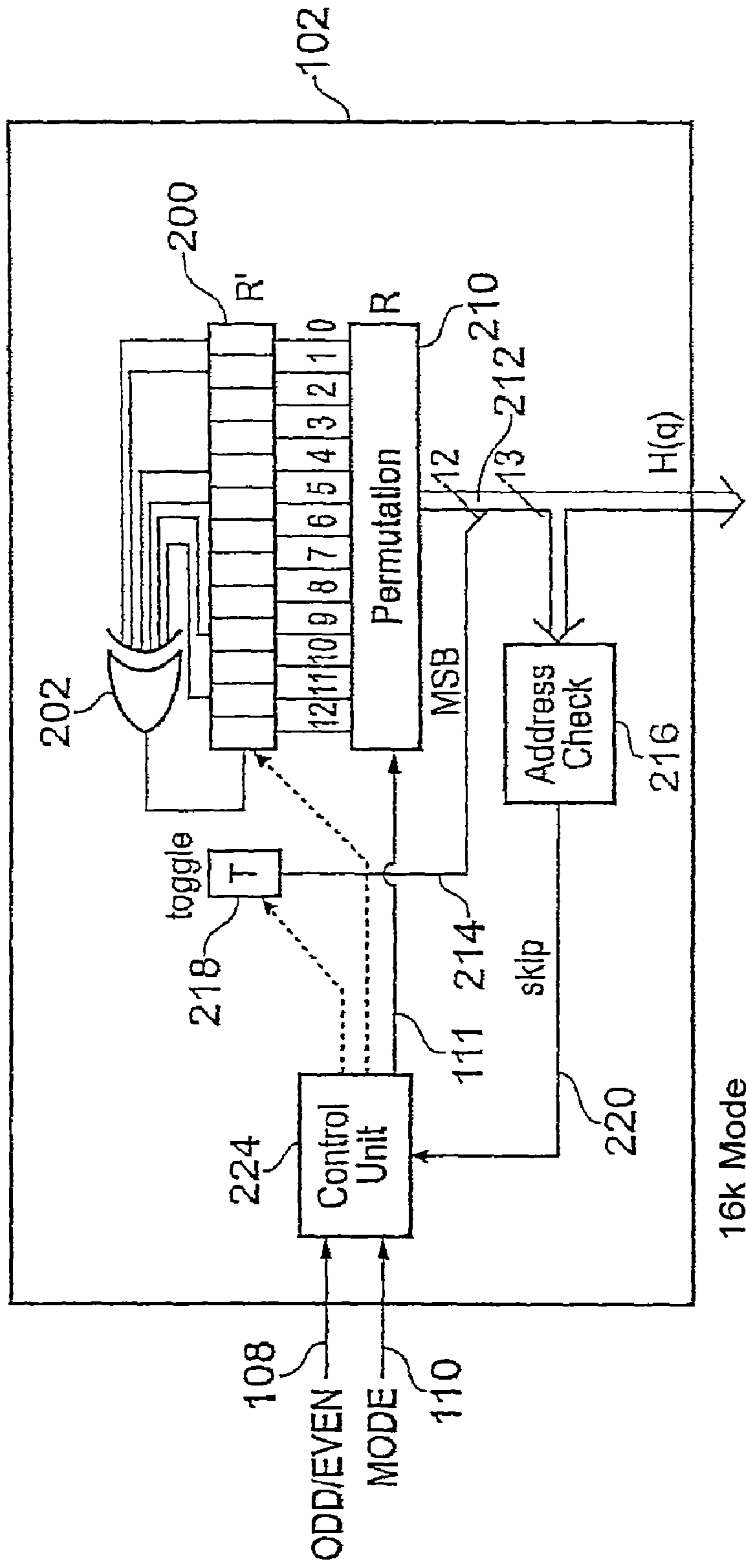


FIG. 5

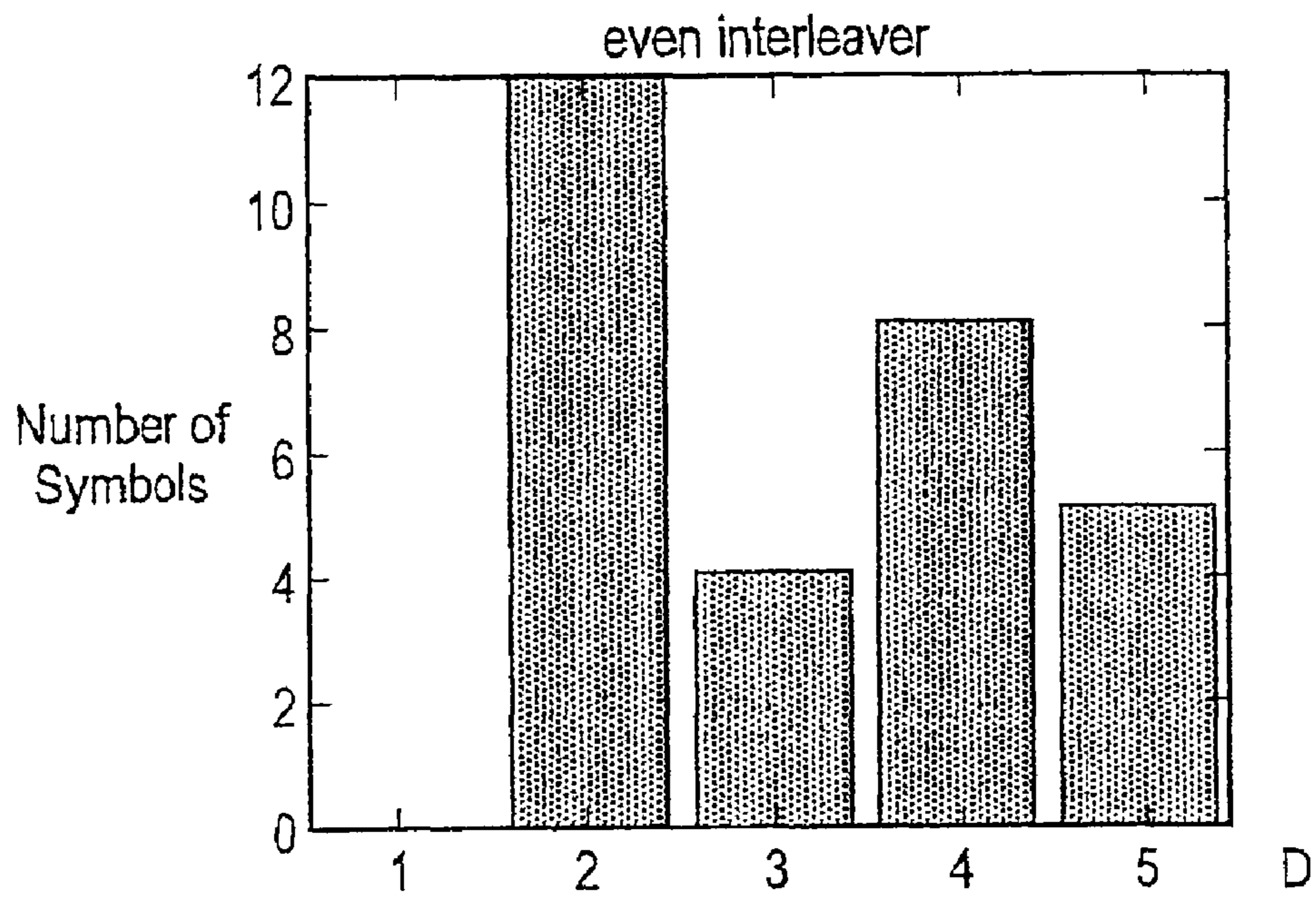


FIG. 6(a)

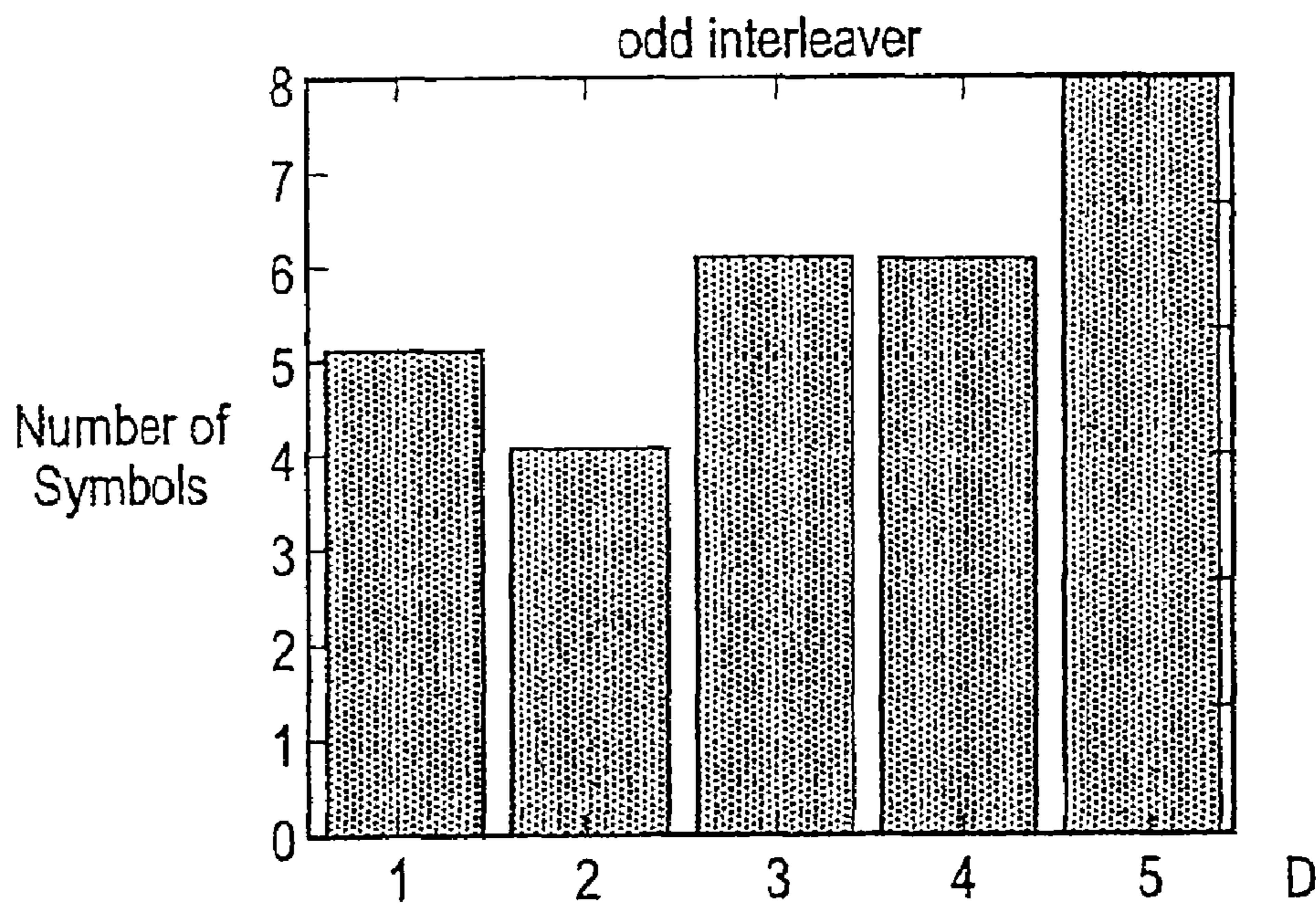


FIG. 6(b)

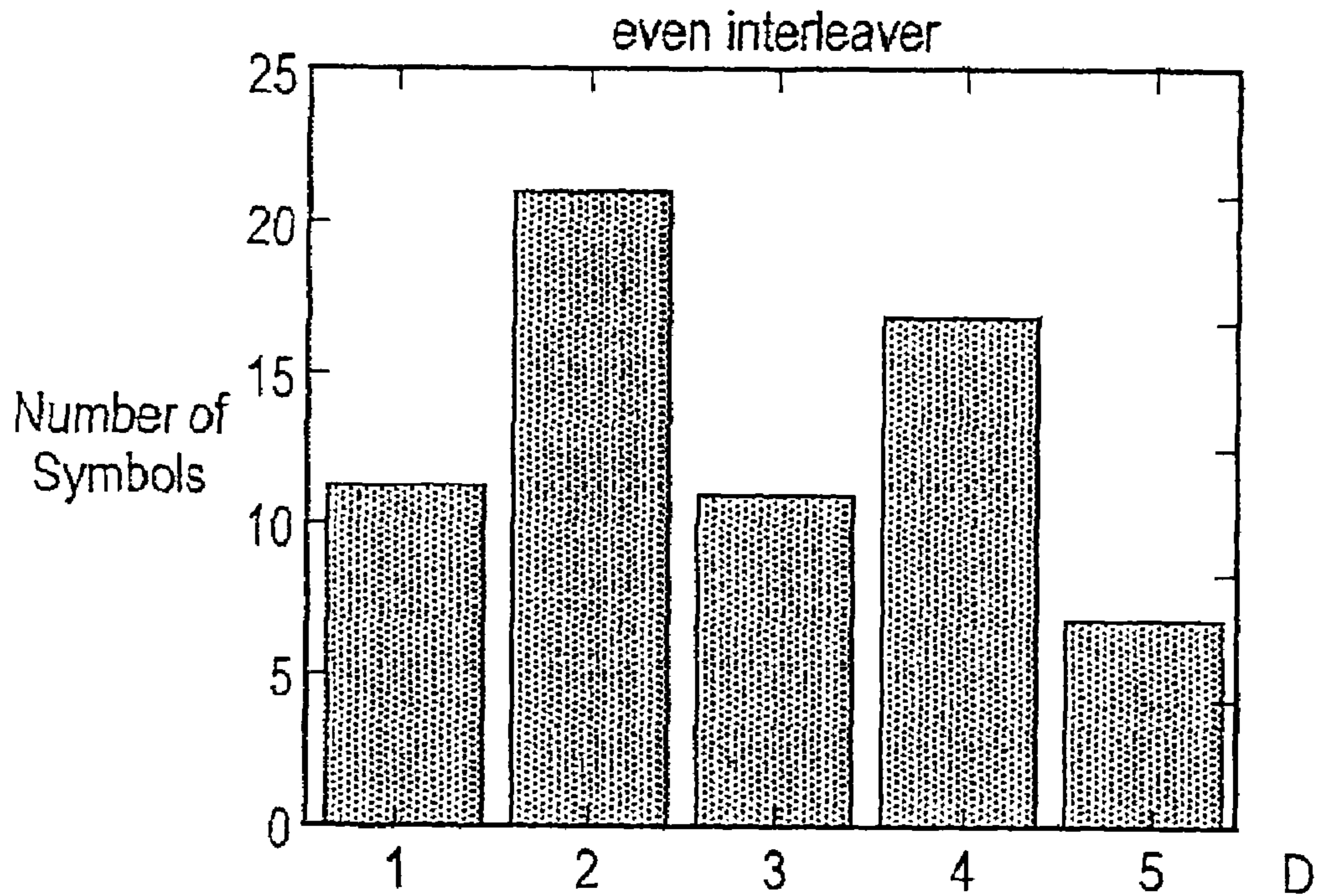


FIG. 6(c)

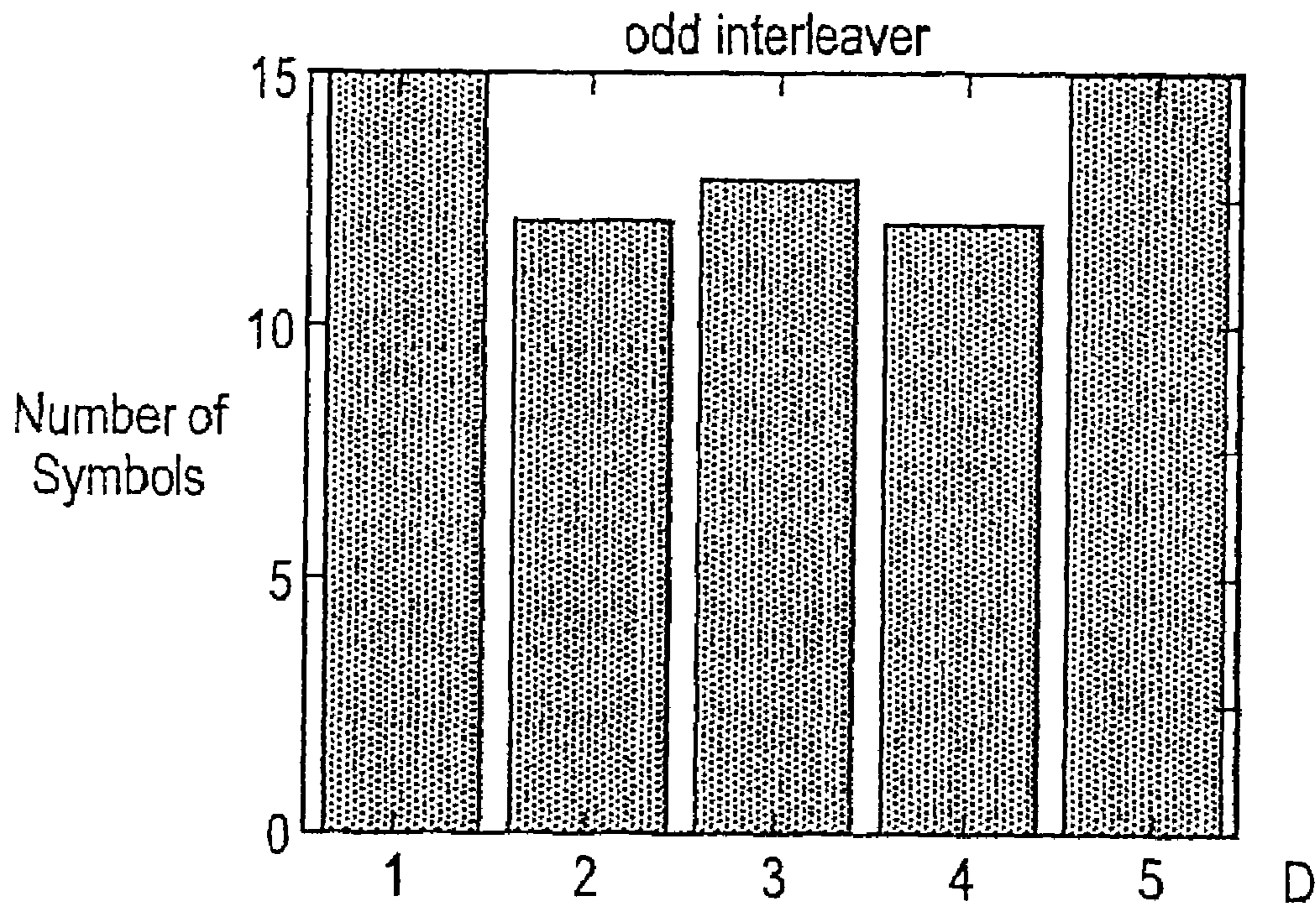


FIG. 6(d)

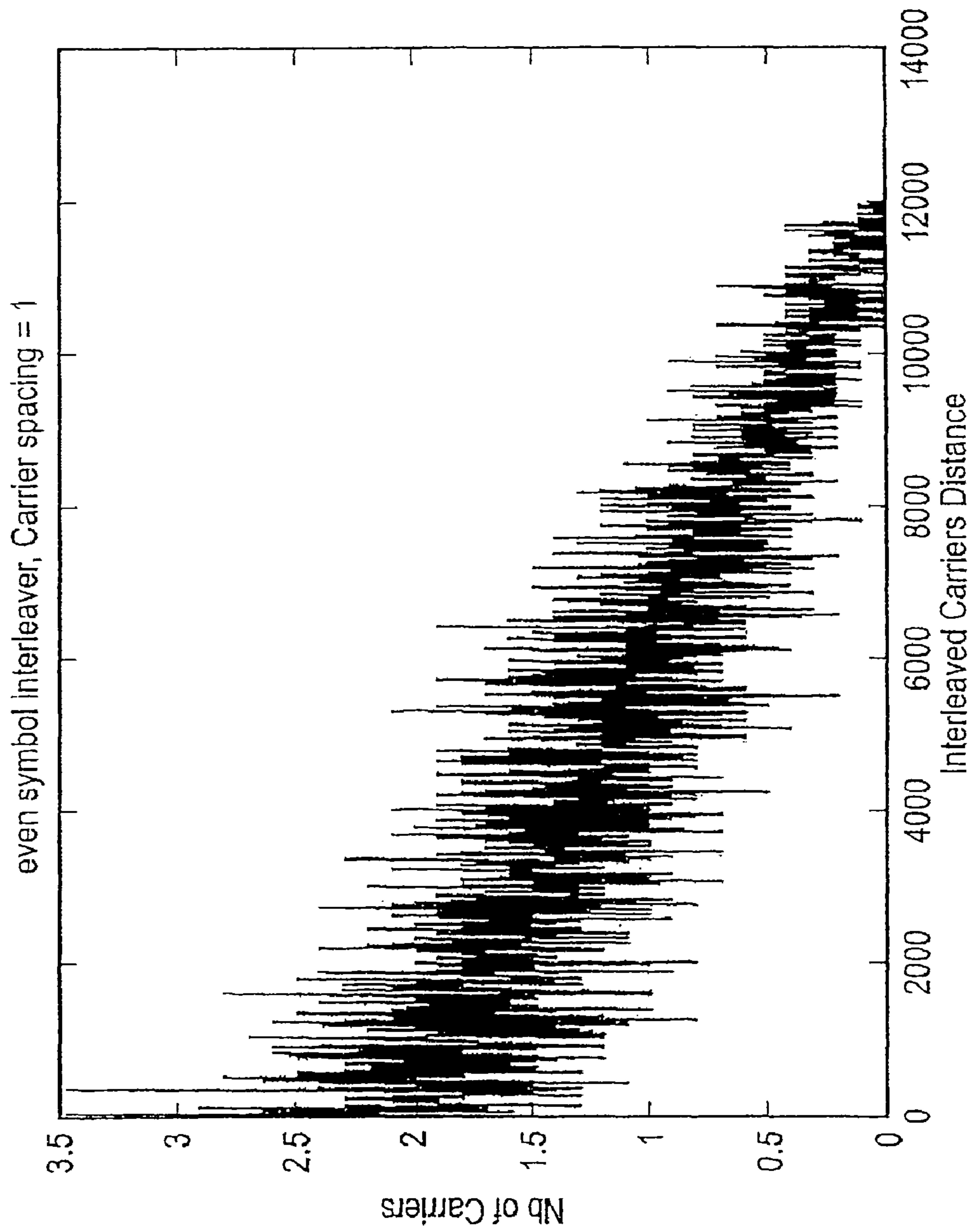


FIG. 9(a)

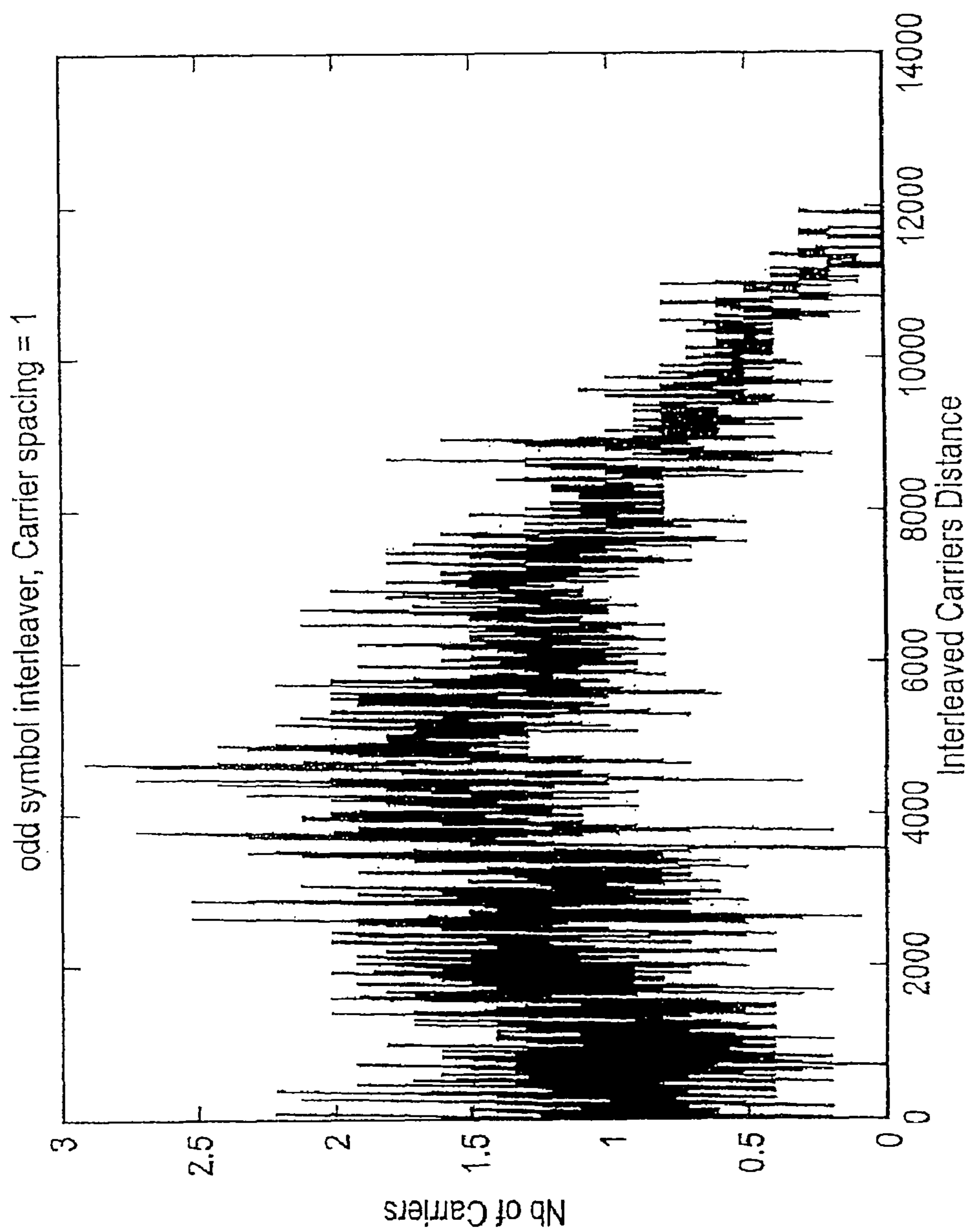


FIG. 9(b)

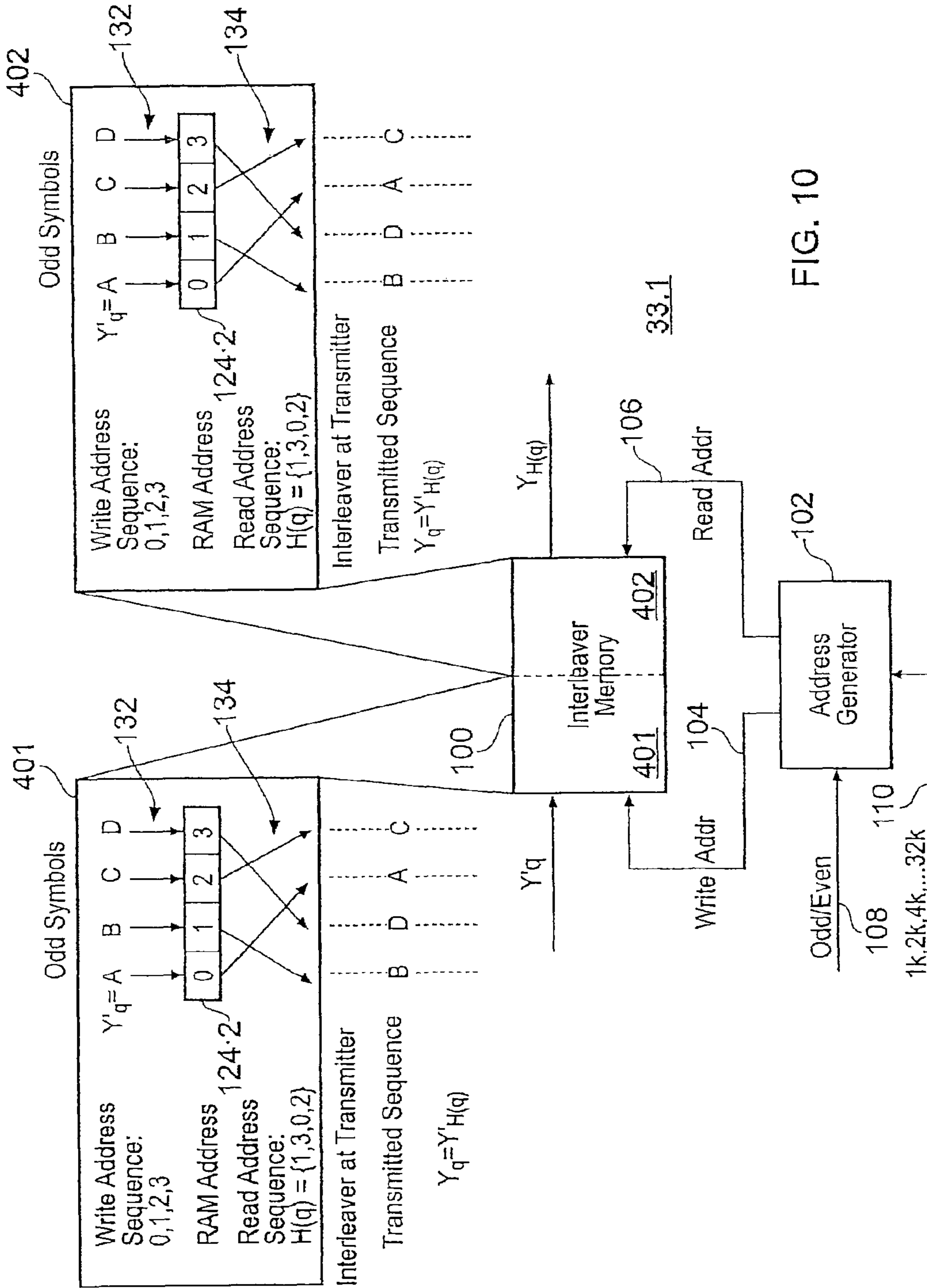


FIG. 10

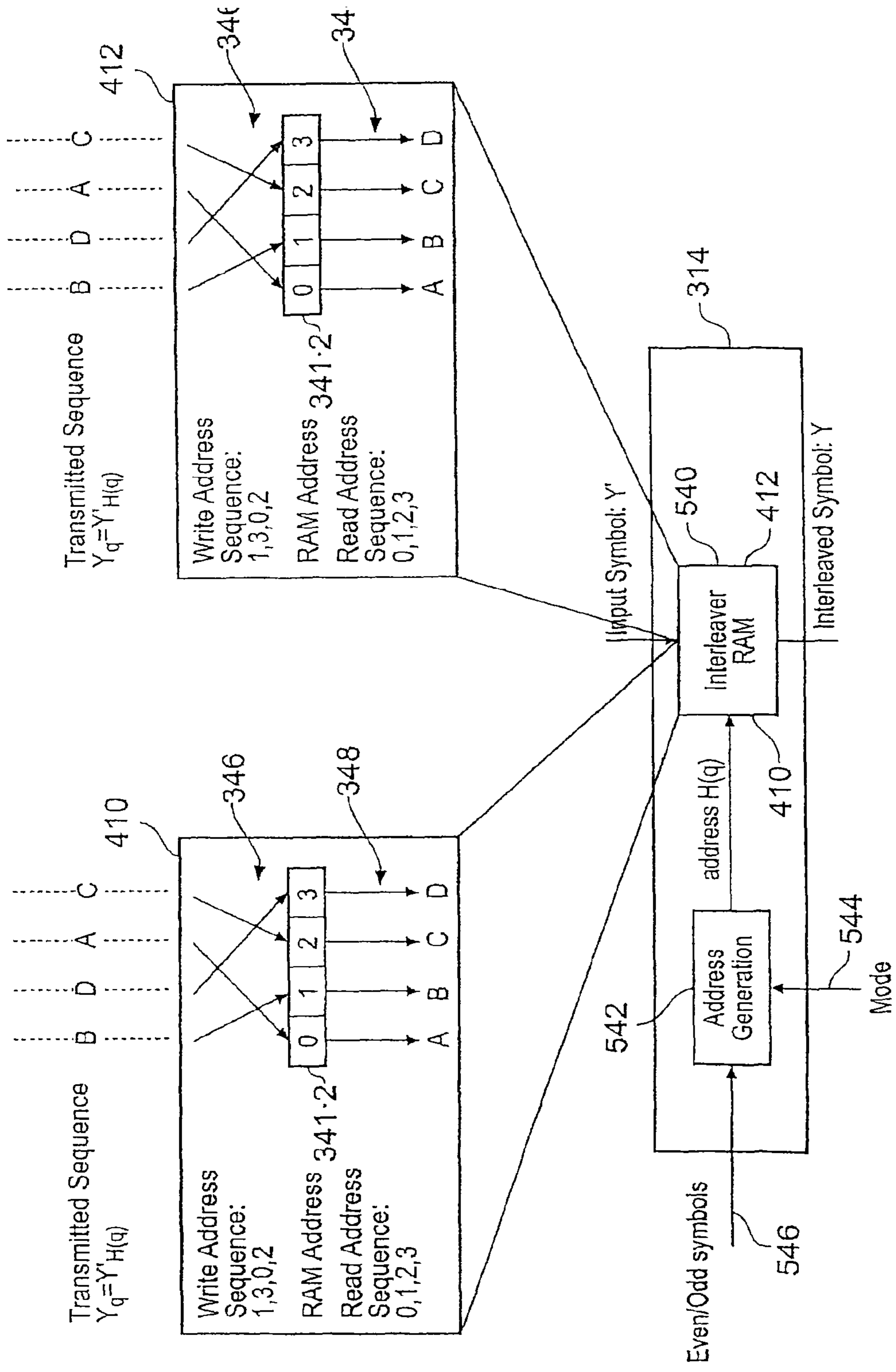


FIG. 11

16K MODE INTERLEAVER IN A DIGITAL VIDEO BROADCASTING (DVB) STANDARD

Matter enclosed in heavy brackets [] appears in the original patent but forms no part of this reissue specification; matter printed in italics indicates the additions made by reissue; a claim printed with strikethrough indicates that the claim was canceled, disclaimed, or held invalid by a prior post-patent action or proceeding.

CROSS-REFERENCE TO RELATED APPLICATIONS

The present application, *which is one of multiple reissue applications that have been filed for U.S. Pat. No. 8,369,434, is a reissue divisional (and claims the benefit of priority under 35 U.S.C. § 120) of U.S. application Ser. No. 14/614,197, filed Feb. 4, 2015, (now issued as U.S. Pat. No. RE46,550 on Sep. 12, 2017) which is an application for reissue of U.S. Pat. No. 8,369,434, issued Feb. 5, 2013, which is a divisional application of U.S. application Ser. No. 12/249,306, filed Oct. 10, 2008, which is a now U.S. Pat. No. 8,155,178, which claims priority of European Applications Nos. 0721269.9, filed Oct. 30, 2007, 0721271.5, filed Oct. 30, 2007, 0722645.9, filed Nov. 19, 2007, and 0722728.3, filed Nov. 20, 2007. Thus, more than one reissue application has been filed for the reissue of U.S. Pat. No. 8,369,434. The reissue applications are application Ser. No. 15/700,710 (the present application) and Ser. No. 14/614,197.*

The present invention relates to data processing apparatus operable to map input symbols onto sub-carrier signals of Orthogonal Frequency Division Multiplexed (OFDM) symbols.

The present invention also relates to data processing apparatus operable to map symbols received from a predetermined number of sub-carrier signals of OFDM symbols into an output symbol stream.

Embodiments of the present invention can provide an OFDM transmitter/receiver.

BACKGROUND OF THE INVENTION

The Digital Video Broadcasting-Terrestrial standard (DVB-T) utilises Orthogonal Frequency Division Multiplexing (OFDM) to communicate data representing video images and sound to receivers via a broadcast radio communications signal. There are known to be two modes for the DVB-T standard which are known as the 2k and the 8k mode. The 2k mode provides 2048 sub-carriers whereas the 8k mode provides 8192 sub-carriers. Similarly for the Digital Video Broadcasting-Handheld standard (DVB-H) a 4k mode has been provided, in which the number of sub-carriers is 4096.

In order to improve the integrity of data communicated using DVB-T or DVB-H a symbol interleaver is provided in order to interleave input data symbols as these symbols are mapped onto the sub-carrier signals of an OFDM symbol. Such a symbol interleaver comprises an interleaver memory in combination with an address generator. The address generator generates an address for each of the input symbols, each address indicating one of the sub-carrier signals of the OFDM symbol onto which the data symbol is to be mapped. For the 2k mode and the 8k mode an arrangement has been disclosed in the DVB-T standard for generating the addresses for the mapping. Likewise for the 4k mode of

DVB-H standard, an arrangement for generating addresses for the mapping has been provided and an address generator for implementing this mapping is disclosed in European Patent application 04251667.4. The address generator comprises a linear feed back shift register which is operable to generate a pseudo random bit sequence and a permutation circuit. The permutation circuit permutes the order of the content of the linear feed back shift register in order to generate an address. The address provides an indication of one of the OFDM sub-carriers for carrying an input data symbol stored in the interleaver memory, in order to map the input symbols onto the sub-carrier signals of the OFDM symbol. Similarly, an address generator in the receiver is arranged to generate addresses of the interleaver memory for storing the data symbols received from the sub-carriers of OFDM symbols to read out the data symbols to form an output data stream.

In accordance with a further development of the Digital Video Broadcasting-Terrestrial broadcasting standard, known as DVB-T2 there has been proposed that further modes for communicating data be provided.

SUMMARY OF INVENTION

According to an aspect of the present invention there is provided a data processing apparatus operable to map input symbols to be communicated onto a predetermined number of sub-carrier signals of an Orthogonal Frequency Division Multiplexed (OFDM) symbol. The data processing apparatus comprises an interleaver operable to read-into a memory the predetermined number of data symbols for mapping onto the OFDM sub-carrier signals, and to read-out of the memory the data symbols for the OFDM sub-carriers to effect the mapping. The read-out is in a different order than the read-in, the order being determined from a set of addresses, with the effect that the data symbols are interleaved on the sub-carrier signals. The set of addresses is determined by an address generator, an address being generated for each of the input symbols to indicate one of the sub-carrier signals onto which the data symbol is to be mapped.

The address generator comprises a linear feedback shift register including a predetermined number of register stages and is operable to generate a pseudo-random bit sequence in accordance with a generator polynomial, and a permutation circuit and a control unit. The permutation circuit is operable to receive the content of the shift register stages and to permute the bits present in the register stages in accordance with a permutation order to form an address of one of the OFDM sub-carriers.

The control unit is operable in combination with an address check circuit to regenerate an address when a generated address exceeds a predetermined maximum valid address. The data processing apparatus is characterised in that the predetermined maximum valid address is approximately sixteen thousand, the linear feedback shift register has thirteen register stages with a generator polynomial for the linear feedback shift register of $R_i[12]=R_{i-1}[0] \oplus R_{i-1}[1] \oplus R_{i-1}[4] \oplus R_{i-1}[5] \oplus R_{i-1}[9] \oplus R_{i-1}[11]$, and the permutation order forms, with an additional bit, a fourteen bit address $R_i[n]$ for the i-th data symbol from the bit present in the n-th register stage $R_i[n]$ in accordance with the table:

	R', bit positions												
	12	11	10	9	8	7	6	5	4	3	2	1	0
R _i bit positions	8	4	3	2	0	11	1	5	12	10	6	7	9

Although it is known within the DVB-T standard to provide the 2k mode and the 8k mode, and the DVB-H standard provides a 4k mode, there has been proposed to provide a 16k mode for DVB-T2. Whilst the 8k mode provides an arrangement for establishing a single frequency network with sufficient guard periods to accommodate larger propagation delays between DVB transmitters, the 2k mode is known to provide an advantage in mobile applications. This is because the 2k symbol period is only one quarter of the 8k symbol period, allowing the channel estimation to be more frequently updated allowing the receiver to track the time variation of the channel due to doppler and other effects more accurately. The 2k mode is therefore advantageous for mobile applications.

In order to provide an even sparser deployment of DVB transmitters within a single frequency network, it has been proposed to provide the 16k mode. To implement the 16k mode, a symbol interleaver must be provided for mapping the input data symbols onto the sub-carrier signals of the OFDM symbol.

Embodiments of the present invention can provide a data processing apparatus operable as a symbol interleaver for mapping data symbols to be communicated on an OFDM symbol, having substantially sixteen thousand sub-carrier signals. In one embodiment the number of sub-carrier signals maybe a value substantially between twelve thousand and sixteen thousand three hundred and eighty four, such as for example twelve thousand and ninety six. Furthermore, the OFDM symbol may include pilot sub-carriers, which are arranged to carry known symbols, and the predetermined maximum valid address depends on a number of the pilot sub-carrier symbols present in the OFDM symbol. As such the 16k mode can be provided for example for a DVB standard, such as DVB-T2, DVB-T or DVB-H.

Mapping data symbols to be transmitted onto the sub-carrier signals of an OFDM symbol, where the number of sub-carrier signals is approximately sixteen thousand, represents a technical problem requiring simulation analysis and testing to establish an appropriate generator polynomial for the linear feedback shift register and the permutation order. This is because the mapping requires that the symbols are interleaved onto the sub-carrier signals with the effect that successive symbols from the input data stream are separated in frequency by a greatest possible amount in order to optimise the performance of error correction coding schemes.

Error correction coding schemes such as LDPC/BCH coding, which has been proposed for DVB-T2 perform better when noise and degradation of the symbol values resulting from communication is un-correlated. Terrestrial broadcast channels may suffer from correlated fading in both the time and the frequency domains. As such by separating encoded symbols on to different sub-carrier signals of the OFDM symbol by as much as possible, the performance of error correction coding schemes can be increased.

As will be explained, it has been discovered from simulation performance analysis that the generator polynomial for the linear feed back shift register in combination with the permutation circuit order indicated above, provides a good

performance. Furthermore, by providing an arrangement which can implement address generating for each of the 2k mode, the 4k mode and the 8k mode by changing the taps of the generator polynomial for the linear feed back shift register and the permutation order, a cost effective implementation of the symbol interleaver for the 16k mode can be provided. Furthermore, a transmitter and a receiver can be changed between the 2k mode, 4k mode, 8k mode and the 16k mode by changing the generator polynomial and the permutation orders. This can be effected in software (or by the embedded signalling) whereby a flexible implementation is provided.

The additional bit, which is used to form the address from the content of the linear feedback shift register, may be produced by a toggle circuit, which changes from 1 to 0 for each address, so as to reduce a likelihood that if an address exceeds the predetermined maximum valid address, then the next address will be a valid address. In one example the additional bit is the most significant bit.

In one example the above permutation code is used to generate the addresses for performing the interleaving for successive OFDM symbols. In other examples, the above permutation code is one of a plurality of permutation codes which are changed so as to reduce a possibility that successive or data bits which are close in order in an input data stream are mapped onto the same sub-carrier of an OFDM symbol. In one example, a different permutation code is used for performing the interleaving between successive OFDM symbols. The use of different permutation codes for successive OFDM symbols can provide an advantage where the data processing apparatus is operable to interleave the input data symbols onto the sub-carrier signals of each of the OFDM symbols only by reading in the data symbols into the memory in a sequential order and reading out the data symbols from the memory in accordance with the set of addresses generated by the address generator.

Various aspects and features of the present invention are defined in the appended claims. Further aspects of the present invention include a data processing apparatus and method operable to map symbols received from a predetermined number of sub-carrier signals of an Orthogonal Frequency Division Multiplexed (OFDM) symbol into an output symbol stream, as well as a transmitter and a receiver.

BRIEF DESCRIPTION OF DRAWINGS

Embodiments of the present invention will now be described by way of example only with reference to the accompanying drawings, wherein like parts are provided with corresponding reference numerals, and in which:

FIG. 1 is a schematic block diagram of a Coded OFDM transmitter which may be used, for example, with the DVB-T2 standard;

FIG. 2 is a schematic block diagram of parts of the transmitter shown in FIG. 1 in which a symbol mapper and a frame builder illustrate the operation of an interleaver;

FIG. 3 is a schematic block diagram of the symbol interleaver shown in FIG. 2;

FIG. 4 is a schematic block diagram of an interleaver memory shown in FIG. 3 and the corresponding symbol de-interleaver in the receiver;

FIG. 5 is a schematic block diagram of an address generator shown in FIG. 3 for the 16k mode;

FIG. 6(a) is diagram illustrating results for an interleaver using the address generator shown in FIG. 5 for even symbols and FIG. 6(b) is a diagram illustrating design simulation results for odd symbols, whereas FIG. 6(c) is a

5

diagram illustrating comparative results for an address generator using a different permutation code for even and FIG. 6(d) is a corresponding diagram for odd symbols;

FIG. 7 is a schematic block diagram of a Coded OFDM receiver which may be used, for example, with the DVB-T2 standard;

FIG. 8 is a schematic block diagram of a symbol de-interleaver which appears in FIG. 7;

FIG. 9(a) is diagram illustrating results for an interleaver using the address generator shown in FIG. 5 for even OFDM symbols and FIG. 9(b) is a diagram illustrating results for odd OFDM symbols. FIGS. 9(a) and 9(b) show plots of the distance at the interleaver output of sub-carriers that were adjacent at the interleaver input;

FIG. 10 provides a schematic block diagram of the symbol interleaver shown in FIG. 3, illustrating an operating mode in which interleaving is performed in accordance with an odd interleaving mode only; and

FIG. 11 provides a schematic block diagram of the symbol de-interleaver shown in FIG. 8, illustrating the operating mode in which interleaving is performed in accordance with the odd interleaving mode only.

DESCRIPTION OF PREFERRED EMBODIMENTS

It has been proposed that the number of modes, which are available within the DVB-T2 standard should be extended to include a 1k mode, a 16k mode and a 32k mode. The following description is provided to illustrate the operation of a symbol interleaver in accordance with the present technique, although it will be appreciated that the symbol interleaver can be used with other modes and other DVB standards.

FIG. 1 provides an example block diagram of a Coded OFDM transmitter which may be used for example to transmit video images and audio signals in accordance with the DVB-T2 standard. In FIG. 1 a program source generates data to be transmitted by the Coded Orthogonal Frequency Division Multiplexing (COFDM) transmitter. A video coder 2, and audio coder 4 and a data coder 6 generate video, audio and other data to be transmitted which are fed to a program multiplexer 10. The output of the program multiplexer 10 forms a multiplexed stream with other information required to communicate the video, audio and other data. The multiplexer 10 provides a stream on a connecting channel 12. There may be many such multiplexed streams which are fed into different branches A, B etc. For simplicity, only branch A will be described.

As shown in FIG. 1 a Coded Orthogonal Frequency Division Multiplexing transmitter receives the stream at a multiplexer adaptation and energy dispersal block 22. The multiplexer adaptation and energy dispersal block 22 randomizes the data and feeds the appropriate data to a forward error correction encoder 24 which performs error correction encoding of the stream. A bit interleaver 26 is provided to interleave the encoded data bits which for the example of DVB-T2 is the Low-Density Parity Check/Bose-Chaudhuri-Hocquengham (LDPC/BCH) encoder output. The output from the bit interleaver 26 is fed to a bit into constellation mapper 28, which maps groups of bits onto a constellation point, which is to be used for conveying the encoded data bits. The outputs from the bit into constellation mapper 28 are constellation point labels that represent real and imaginary components. The constellation point labels represent data symbols formed from two or more bits depending on the modulation scheme used. These will be referred to as

6

data cells. These data cells are passed through a time-interleaver 30 whose effect is to interleave data cells resulting from multiple LDPC code words.

The data cells are received by a frame builder 32, with data cells produced by branch B etc in FIG. 1, via other channels 31. The frame builder 32 then forms many data cells into sequences to be conveyed on COFDM symbols, where a COFDM symbol comprises a number of data cells, each data cell being mapped onto one of the sub-carriers. The number of sub-carriers will depend on the mode of operation of the system, which may include one of 1k, 2k, 4k, 8k, 16k or 32k, each of which provides a different number of sub-carriers according, for example to the following table:

Number of Sub-carriers Adapted from DVB-T/H	
Mode	Sub-carriers
1k	756
2k	1512
4k	3024
8k	6048
16k	12096
32k	24192

Thus in one example, the number of sub-carriers for the 16k mode is twelve thousand and ninety six. For the DVB-T2 system, the number of sub-carriers per OFDM symbol can vary depending upon the number of pilot and other reserved carriers. Thus, in DVB-T2, unlike in DVB-T, the number of sub-carriers for carrying data is not fixed. Broadcasters can select one of the operating modes from 1k, 2k, 4k, 8k, 16k, 32k each providing a range of sub-carriers for data per OFDM symbol, the maximum available for each of these modes being 1024, 2048, 4096, 8192, 16384, 32768 respectively. In DVB-T2 a physical layer frame is composed of many OFDM symbols. Typically the frame starts with one or more pre-amble or P2 OFDM symbols, which are then followed by a number payload carrying OFDM symbols. The end of the physical layer frame is marked by a frame closing symbols. For each operating mode, the number of sub-carriers may be different for each type of symbol. Furthermore, this may vary for each according to whether bandwidth extension is selected, whether tone reservation is enabled and according to which pilot sub-carrier pattern has been selected. As such a generalisation to a specific number of sub-carriers per OFDM symbol is difficult. However, the frequency interleaver for each mode can interleave any symbol whose number of sub-carriers is smaller than or the same as the maximum available number of sub-carriers for the given mode. For example, in the 1k mode, the interleaver would work for symbols with the number of sub-carriers being less than or equal to 1024 and for 16k mode, with the number of sub-carriers being less than or equal to 16384. The sequence of data cells to be carried in each COFDM symbol is then passed to the symbol interleaver 33. The COFDM symbol is then generated by a COFDM symbol builder block 37 which introduces pilot and synchronising signals fed from a pilot and embedded signal former 36. An OFDM modulator 38 then forms the OFDM symbol in the time domain which is fed to a guard insertion processor 40 for generating a guard interval between symbols, and then to a digital to analogue convertor 42 and finally to an RF amplifier within an RF frontend 44 for eventual broadcast by the COFDM transmitter from an antenna 46.

Providing a 16k Mode

To create a new 16k mode, several elements are to be defined, one of which is the 16k symbol interleaver **33**. The bit to constellation mapper **28**, symbol interleaver **33** and the frame builder **32** are shown in more detail in FIG. **2**.

As explained above, the present invention provides a facility for providing a quasi-optimal mapping of the data symbols onto the OFDM sub-carrier signals. According to the example technique the symbol interleaver is provided to effect the optimal mapping of input data symbols onto COFDM sub-carrier signals in accordance with a permutation code and generator polynomial, which has been verified by simulation analysis.

As shown in FIG. **2** a more detailed example illustration of the bit to symbol constellation mapper **28** and the frame builder **32** is provided to illustrate an example embodiment of the present technique. Data bits received from the bit interleaver **26** via a channel **62** are grouped into sets of bits to be mapped onto a data cell, in accordance with a number of bits per symbol provided by the modulation scheme. The groups of bits, which forms a data word, are fed in parallel via data channels **64** the a mapping processor **66**. The mapping processor **66** then selects one of the data symbols, in accordance with a pre-assigned mapping. The constellation point, is represented by a real and an imaginary component that is provided to the output channel **29** as one of a set of inputs to the frame builder **32**.

The frame builder **32** receives the data cells from the bit to constellation mapper **28** through channel **29**, together with data cells from the other channels **31**. After building a frame of many COFDM cell sequences, the cells of each COFDM symbol are then written into an interleaver memory **100** and read out of the interleaver memory **100** in accordance with write addresses and read addresses generated by an address generator **102**. According to the write-in and read-out order, interleaving of the data cells is achieved, by generating appropriate addresses. The operation of the address generator **102** and the interleaver memory **100** will be described in more detail shortly with reference to FIGS. **3**, **4** and **5**. The interleaved data cells are then combined with pilot and synchronisation symbols received from the pilot and embedded signalling former **36** into an OFDM symbol builder **37**, to form the COFDM symbol, which is fed to the OFDM modulator **38** as explained above.

Interleaver

FIG. **3** provides an example of parts of the symbol interleaver **33**, which illustrates the present technique for interleaving symbols. In FIG. **3** the input data cells from the frame builder **32** are written into the interleaver memory **100**. The data cells are written into the interleaver memory **100** according to a write address fed from the address generator **102** on channel **104**, and read out from the interleaver memory **100** according to a read address fed from the address generator **102** on a channel **106**. The address generator **102** generates the write address and the read address as explained below, depending on whether the COFDM symbol is odd or even, which is identified from a signal fed from a channel **108**, and depending on a selected mode, which is identified from a signal fed from a channel **110**. As explained, the mode can be one of a 1k mode, 2k mode, 4k mode, 8k mode, 16k mode or a 32k mode. As explained below, the write address and the read address are generated differently for odd and even symbols as explained with reference to FIG. **4**, which provides an example implementation of the interleaver memory **100**.

In the example shown in FIG. **4**, the interleaver memory is shown to comprise an upper part **100** illustrating the

operation of the interleaver memory in the transmitter and a lower part **340**, which illustrates the operation of the de-interleaver memory in the receiver. The interleaver **100** and the de-interleaver **340** are shown together in FIG. **4** in order to facilitate understanding of their operation. As shown in FIG. **4** a representation of the communication between the interleaver **100** and the de-interleaver **340** via other devices and via a transmission channel has been simplified and represented as a section **140** between the interleaver **100** and the de-interleaver **340**. The operation of the interleaver **100** is described in the following paragraphs:

Although FIG. **4** provides an illustration of only four input data cells onto an example of four sub-carrier signals of a COFDM symbol, it will be appreciated that the technique illustrated in FIG. **4** can be extended to a larger number of sub-carriers such as 756 for the 1k mode 1512 for the 2k mode, 3024 for the 4k mode and 6048 for the 8k mode, 12096 for the 16k mode and 24192 for the 32k mode.

The input and output addressing of the interleaver memory **100** shown in FIG. **4** is shown for odd and even symbols. For an even COFDM symbol the data cells are taken from the input channel and written into the interleaver memory **124.1** in accordance with a sequence of addresses **120** generated for each COFDM symbol by the address generator **102**. The write addresses are applied for the even symbol so that as illustrated interleaving is effected by the shuffling of the write-in addresses. Therefore, for each interleaved symbol $y(h(q))=y'(q)$.

For odd symbols the same interleaver memory **124.2** is used. However, as shown in FIG. **4** for the odd symbol the write-in order **132** is in the same address sequence used to read out the previous even symbol **126**. This feature allows the odd and even symbol interleaver implementations to only use one interleaver memory **100** provided the read-out operation for a given address is performed before the write-in operation. The data cells written into the interleaver memory **124.2** during odd symbols are then read out in a sequence **134** generated by the address generator **102** for the next even COFDM symbol and so on. Thus only one address is generated per symbol, with the read-in and write-out for the odd/even COFDM symbol being performed contemporaneously.

In summary, as represented in FIG. **4**, once the set of addresses $H(q)$ has been calculated for all active sub-carriers, the input vector $Y'=(y', y'_1, y'_2, \dots, y'_{N_{max}-1})$ is processed to produce the interleaved vector $Y=(y_0, y_1, y_2, \dots, y_{N_{max}-1})$ defined by:

$$y_{H(q)}=y'_q \text{ for even symbols for } q=0, \dots, N_{max}-1$$

$$y_q=y'_{H(q)} \text{ for odd symbols for } q=0, \dots, N_{max}-1$$

In other words, for even OFDM symbols the input words are written in a permuted way into a memory and read back in a sequential way, whereas for odd symbols, they are written sequentially and read back permuted. In the above case, the permutation $H(q)$ is defined by the following table:

TABLE 1

permutation for simple case where $N_{max} = 4$				
q	0	1	2	3
H(q)	1	3	0	2

As shown in FIG. **4**, the de-interleaver **340** operates to reverse the interleaving applied by the interleaver **100**, by applying the same set of addresses as generated by an

equivalent address generator, but applying the write-in and read-out addresses in reverse. As such, for even symbols, the write-in addresses **342** are in sequential order, whereas the read out address **344** are provided by the address generator. Correspondingly, for the odd symbols, the write-in order **346** is determined from the set of addresses generated by the address generator, whereas read out **348** is in sequential order.

Address Generation for the 16k Mode

A schematic block diagram of the algorithm used to generate the permutation function $H(q)$ is represented in FIG. **5** for the 16k mode.

An implementation of the address generator **102** for the 16k mode is shown in FIG. **5**. In FIG. **5** a linear feed back shift register is formed by thirteen register stages **200** and a xor-gate **202** which is connected to the stages of the shift register **200** in accordance with a generator polynomial. Therefore, in accordance with the content of the shift register **200** a next bit of the shift register is provided from the output of the xor-gate **202** by xoring the content of shift registers $R[0]$, $R[1]$, $R[4]$, $R[5]$, $R[9]$, $R[11]$ according to the generator polynomial:

$$R_i[12]=R_{i-1}[0]\oplus R_{i-1}[1]\oplus R_{i-1}[4]\oplus R_{i-1}[5]\oplus R_{i-1}[9]\oplus R_{i-1}[11]$$

According to the generator polynomial a pseudo random bit sequence is generated from the content of the shift register **200**. However, in order to generate an address for the 16k mode as illustrated, a permutation circuit **210** is provided which effectively permutes the order of the bits within the shift register **200** from an order

$R'_i[n]$ to an order $R_i[n]$ at the output of the permutation circuit **210**. Thirteen bits from the output of the permutation circuit **210** are then fed on a connecting channel **212** to which is added a most significant bit via a channel **214** which is provided by a toggle circuit **218**. A fourteen bit address is therefore generated on channel **212**. However, in order to ensure the authenticity of an address, an address check circuit **216** analyses the generated address to determine whether it exceeds a predetermined maximum value. The predetermined maximum value may correspond to the maximum number of sub-carrier signals, which are available for data symbols within the COFDM symbol, available for the mode which is being used. However, the interleaver for the 16k mode may also be used for other modes, so that the address to generator **102** may also be used for the 2k mode, 4k mode, 8k mode, 16k mode and the 32k mode, by adjusting accordingly the number of the maximum valid address.

If the generated address exceeds the predetermined maximum value then a control signal is generated by the address check unit **216** and fed via a connecting channel **220** to a control unit **224**. If the generated address exceeds the predetermined maximum value then this address is rejected and a new address regenerated for the particular symbol.

For the 16k mode, an (N_r-1) bit word R'_i is defined, with $N_r=\log_2 M_{max}$, where $M_{max}=16384$ using a LFSR (Linear Feedback Shift Register). The polynomials used to generate this sequence is:

$$16K \text{ mode: } R'_i[12]=R_{i-1}[0]\oplus R_{i-1}[1]\oplus R_{i-1}[4]\oplus R_{i-1}[5]\oplus R_{i-1}[9]\oplus R_{i-1}[11]$$

where i varies from 0 to $M_{max}-1$

Once one R'_i word has been generated, the R'_i word goes through a permutation to produce another (N_r-1) bit word called R_i . R_i is derived from R'_i by the bit permutations given as follows:

		R', bit positions												
		12	11	10	9	8	7	6	5	4	3	2	1	0
5	R_i bit positions	8	4	3	2	0	11	1	5	12	10	6	7	9

Bit permutation for the 16k mode

As an example, this means that for the mode 16k, the bit number 12 of R'_i is sent in bit position number 8 of R_i .

The address $H(q)$ is then derived from R , through the following equation:

$$H(q) = (i \bmod 2) \cdot 2^{N_r-1} + \sum_{j=0}^{N_r-2} R_i(j) \cdot 2^j$$

The $(i \bmod 2) \cdot 2^{N_r-1}$ part of the above equation is represented in FIG. **5** by the toggle block **T 218**.

An address check is then performed on $H(q)$ to verify that the generated address is within the range of acceptable addresses: if $(H(q) < N_{max})$, where $N_{max}=12096$ for example in the 16k mode, then the address is valid. If the address is not valid, the control unit is informed and it will try to generate a new $H(q)$ by incrementing the index i .

The role of the toggle block is to make sure that we do not generate an address exceeding N_{max} twice in a row. In effect, if an exceeding value was generated, this means that the MSB (i.e. the toggle bit) of the address $H(q)$ was one. So the next value generated will have a MSB set to zero, insuring to produce a valid address.

The following equations sum up the overall behaviour and help to understand the loop structure of this algorithm:

$$\begin{aligned} & q = 0; \\ & \text{for } (i = 0; i < M_{max}; i = i + 1) \\ & \left\{ \begin{aligned} & H(q) = (i \bmod 2) \cdot 2^{N_r-1} + \sum_{j=0}^{N_r-2} R_i(j) \cdot 2^j; \\ & \text{if } (H(q) < N_{max}) q = q + 1; \end{aligned} \right\} \end{aligned}$$

As will be explained shortly, in one example of the address generator, the above mentioned permutation code is used for generating addresses for all OFDM symbols. In another example, the permutation codes may be changed between symbols, with the effect that a set of permutation codes are cycled through for successive OFDM symbols. To this end, the control lines **108**, **110** providing an indication as to whether the OFDM symbol is odd or even and the current mode are used to select the permutation code. This example mode in which a plurality of permutation codes are cycled through is particularly appropriate for the example in which the odd interleaver only is used, which will be explained later. A signal indicating that a different permutation code should be used is provided via a control channel **111**. In one example the possible permutation codes are pre-stored in the permutation code circuit **210**. In another example, the control unit **224** supplies the new permutation code to be used for an OFDM symbol.

11

Analysis Supporting the Address Generator for the 16k Mode

The selection of the polynomial generator and the permutation code explained above for the address generator **102** for the 16k mode has been identified following simulation analysis of the relative performance of the interleaver. The relative performance of the interleaver has been evaluated using a relative ability of the interleaver to separate successive symbols or an "interleaving quality". As mentioned above, effectively the interleaving must perform for both odd and even symbols, in order to use a single interleaver memory. The relative measure of the interleaver quality is determined by defining a distance D (in number of sub-carriers). A criterion C is chosen to identify a number of sub-carriers that are at distance $\leq D$ at the output of the interleaver that were at distance $\leq D$ at the input of the interleaver, the number of sub-carriers for each distance D then being weighted with respect to the relative distance. The criterion C is evaluated for both odd and even COFDM symbols. Minimising C produces a superior quality interleaver.

$$C = \sum_1^{d=D} N_{even}(d)/d + \sum_1^{d=D} N_{odd}(d)/d$$

where: $N_{even}(d)$ and $N_{odd}(d)$ are number of sub-carriers in an even and odd symbol respectively at the output of the interleaver that remain within d sub-carrier spacing of each other.

Analysis of the interleaver identified above for the 16k mode for a value of $D=5$ is shown in FIG. 6(a) for the even COFDM symbols and in FIG. 6(b) for the odd COFDM symbol. According to the above analysis, the value of C for the permutation code identified above for the 16k mode produced a value of $C=22.43$, that the weighted number of sub-carriers with symbols which are separated by five or less in the output according to the above equation was 22.43.

A corresponding analysis is provided for an alternative permutation code for even COFDM symbols in FIG. 6(c) for odd COFDM symbols in FIG. 6(d). As can be seen in comparison to the results illustrated in FIGS. 6(a) and 6(b), there are more components present which represent symbols separated by small distances such as $D=1$, and $D=2$, when compared with the results shown in FIGS. 6(a) and 6(b), illustrating that the permutation code identified above for the 16k mode symbol interleaver produces a superior quality interleaver.

Alternative Permutation Codes

The following nine alternative possible codes ($[a]R_i$ bit positions, where $n=1$ to 9) have been found to provide a symbol interleaver with a good quality as determined by the criterion C identified above.

	R _i bit positions												
	12	11	10	9	8	7	6	5	4	3	2	1	0
[1]R _i bit positions	7	12	5	8	9	1	2	3	4	10	6	11	0
[2]R _i bit positions	8	5	4	9	2	3	0	1	6	11	7	12	10
[3]R _i bit positions	7	5	6	9	11	2	3	0	8	4	1	12	10
[4]R _i bit positions	11	5	10	4	2	1	0	7	12	8	9	6	3

12

-continued

	R _i bit positions												
	12	11	10	9	8	7	6	5	4	3	2	1	0
[5]R _i bit positions	3	9	4	10	0	6	1	5	8	11	7	2	12
[6]R _i bit positions	4	6	3	2	0	7	1	5	8	10	12	9	11
[7]R _i bit positions	10	4	3	2	1	8	0	6	7	9	11	5	12
[8]R _i bit positions	10	4	11	3	7	1	5	0	2	12	8	6	9
[9]R _i bit positions	2	4	11	9	0	10	1	7	8	6	12	3	5

Bit permutation for the 16k mode Receiver

FIG. 7 provides an example illustration of a receiver which may be used with the present technique. As shown in FIG. 7, a COFDM signal is received by an antenna **300** and detected by a tuner **302** and converted into a digital form by an analogue-to-digital converter **304**. A guard interval removal processor **306** removes the guard interval from a received COFDM symbol, before the data is recovered from the COFDM symbol using a Fast Fourier Transform (FFT) processor **308** in combination with a channel estimator and correction **310** in co-operation with an embedded-signalling decoding unit **311**, in accordance with known techniques. The demodulated data is recovered from a mapper **312** and fed to a symbol de-interleaver **314**, which operates to effect the reverse mapping of the received data symbol to regenerate an output data stream with the data de-interleaved.

The symbol de-interleaver **314** is formed from a data processing apparatus as shown in FIG. 8 with an interleaver memory **540** and an address generator **542**. The interleaver memory is as shown in FIG. 4 and operates as already explained above to effect de-interleaving by utilising sets of addresses generated by the address generator **542**. The address generator **542** is formed as shown in FIG. 8 and is arranged to generate corresponding addresses to map the data symbols recovered from each COFDM sub-carrier signals into an output data stream.

The remaining parts of the COFDM receiver shown in FIG. 7, including the Bit De-Interleaver **316**, are provided to effect error correction decoding **318** to correct errors and recover an estimate of the source data.

One advantage provided by the present technique for both the receiver and the transmitter is that a symbol interleaver and a symbol de-interleaver operating in the receivers and transmitters can be switched between the 1k, 2k, 4k, 8k, 16k and the 32k mode by changing the generator polynomials and the permutation order. Hence the address generator **542** shown in FIG. 8 includes an input **544**, providing an indication of the mode as well as an input **546** indicating whether there are odd/even COFDM symbols. A flexible implementation is thereby provided because a symbol interleaver and de-interleaver can be formed as shown in FIGS. 3 and 8, with an address generator as illustrated in either of FIG. 5. The address generator can therefore be adapted to the different modes by changing to the generator polynomials and the permutation orders indicated for each of the modes. For example, this can be effected using a software change. Alternatively, in other embodiments, an embedded signal indicating the mode of the DVB-T2 transmission can be detected in the receiver in the embedded-signalling processing unit **311** and used to configure automatically the symbol de-interleaver in accordance with the detected mode.

Optimal Use of Odd Interleavers

As shown in FIG. 4, two symbol interleaving processes, one for even COFDM symbols and one for odd COFDM symbols allows the amount of memory used during interleaving to be reduced. In the example shown in FIG. 4, the write in order for the odd symbol is the same as the read out order for the even symbol therefore, while an odd symbol is being read from the memory, an even symbol can be written to the location just read from; subsequently, when that even symbol is read from the memory, the following odd symbol can be written to the location just read from.

As mentioned above, during an experimental analysis of the performance of the interleavers (using criterion C as defined above) and for example shown in FIG. 9(a) and FIG. 9(b) it has been discovered that the interleaving schemes designed for the 2k and 8k symbol interleavers for DVB-T and the 4k symbol interleaver for DVB-H work better for odd symbols than even symbols. Thus from performance evaluation results of the interleavers, for example, as illustrated by FIGS. 9(a) and 9(b) have revealed that the odd interleavers work better than the even interleavers. This can be seen by comparing FIG. 9(a) which shows results for an interleaver for even symbols and FIG. 6(b) illustrating results for odd symbols: it can be seen that the average distance at the interleaver output of sub-carriers that were adjacent at the interleaver input is greater for an interleaver for odd symbols than an interleaver for even symbols.

As will be understood, the amount of interleaver memory required to implement a symbol interleaver is dependent on the number of data symbols to be mapped onto the COFDM carrier symbols. Thus a 16k mode symbol interleaver requires half the memory required to implement a 32k mode symbol interleaver and similarly, the amount of memory required to implement an 8k symbol interleaver is half that required to implement a 16k interleaver. Therefore a transmitter or receiver which is arranged to implement a symbol interleaver of a mode, which sets the maximum number of data symbols which can be carried per OFDM symbol, then that receiver or transmitter will include sufficient memory to implement two odd interleaving processes for any other mode, which provides half or smaller than half the number of sub-carriers per OFDM symbol in that given maximum mode. For example a receiver or transmitter including a 32k interleaver will have enough memory to accommodate two 16k odd interleaving processes each with their own 16k memory.

Therefore, in order to exploit the better performance of the odd interleaving processes, a symbol interleaver capable of accommodating multiple modulation modes can be arranged so that only an odd symbol interleaving process is used if in a mode which comprises half or less than half of the number of sub-carriers in a maximum mode, which represents the maximum number of sub-carriers per OFDM symbol. This maximum mode therefore sets the maximum memory size. For example, in a transmitter/receiver capable of the 32k mode, when operating in a mode with fewer carriers (i.e. 16k, 8k, 4k or 1k) then rather than employing separate odd and even symbol interleaving processes, two odd interleavers would be used.

An illustration of an adaptation of the symbol interleaver 33 which is shown in FIG. 3 when interleaving input data symbols onto the sub-carriers of OFDM symbols in the odd interleaving mode only is shown in FIG. 10. The symbol interleaver 33.1 corresponds exactly to the symbol interleaver 33 as shown in FIG. 3, except that the address generator 102 is adapted to perform the odd interleaving process only. For the example shown in FIG. 10, the symbol

interleaver 33.1 is operating in a mode where the number of data symbols which can be carried per OFDM symbol is less than half of the maximum number which can be carried by an OFDM symbol in an operating mode with the largest number of sub-carriers per OFDM symbol. As such, the symbol interleaver 33.1 has been arranged to partition the interleaver memory 100. For the present illustration shown in FIG. 10 the interleaver memory then 100 is divided into two parts 401, 402. As an illustration of the symbol interleaver 33.1 operating in a mode in which data symbols are mapped onto the OFDM symbols using the odd interleaving process, FIG. 10 provides an expanded view of each half of the interleaver memory 401, 402. The expanded provides an illustration of the odd interleaving mode as represented for the transmitter side for four symbols A, B, C, D reproduced from FIG. 4. Thus as shown in FIG. 10, for successive sets of first and second data symbols, the data symbols are written into the interleaver memory 401, 402 in a sequential order and read out in accordance with addresses generated by the address generator 102 in a permuted order in accordance with the addresses generated by the address generator as previously explained. Thus as illustrated in FIG. 10, since an odd interleaving process is being performed for successive sets of first and second sets of data symbols, the interleaver memory must be partitioned into two parts. Symbols from a first set of data symbols are written into a first half of the interleaver memory 401, and symbols from a second set of data symbols are written into a second part of the interleaver memory 402, because the symbol interleaver is no longer able to reuse the same parts of the symbol interleaver memory as can be accommodated when operating in an odd and even mode of interleaving.

A corresponding example of the interleaver in the receiver, which appears in FIG. 8 but adapted to operate with an odd interleaving process only is shown in FIG. 11. As shown in FIG. 11 the interleaver memory 540 is divided into two halves 410, 412 and the address generator 542 is adapted to write data symbols into the interleaver memory and read data symbols from the interleaver memory into respective parts of the memory 410, 412 for successive sets of data symbols to implement an odd interleaving process only. Therefore, in correspondence with representation shown in FIG. 10, FIG. 11 shows the mapping of the interleaving process which is performed at the receiver and illustrated in FIG. 4 as an expanded view operating for both the first and second halves of the interleaving memory 410, 412. Thus a first set of data symbols are written into a first part of the interleaver memory 410 in a permuted order defined in accordance with the addresses generated by the address generator 542 as illustrated by the order of writing in the data symbols which provides a write sequence of 1, 3, 0, 2. As illustrated the data symbols are then read out of the first part of the interleaver memory 410 in a sequential order thus recovering the original sequence A, B, C, D.

Correspondingly, a second subsequent set of data symbols which are recovered from a successive OFDM symbol are written into the second half of the interleaver memory 412 in accordance with the addresses generated by the address generator 542 in a permuted order and read out into the output data stream in a sequential order.

In one example the addresses generated for a first set of data symbols to write into the first half of the interleaver memory 410 can be reused to write a second subsequent set of data symbols into the interleaver memory 412. Correspondingly, the transmitter may also reuse addresses generated for one half of the interleaver for a first set of data

symbols for reading out a second set of data symbols which have been written into the second half of the memory in sequential order.

Odd Interleaver with Offset

The performance of an interleaver, which uses two odd interleavers could be further improved by using a sequence of odd only interleavers rather than a single odd only interleaver, so that any bit of data input to the interleaver does not always modulate the same carrier in the OFDM symbol.

A sequence of odd only interleavers could be realised by either:

adding an offset to the interleaver address modulo the number of data carriers, or

using a sequence of permutations in the interleaver

Adding an Offset

Adding an offset to the interleaver address modulo the number of data carriers effectively shifts and wraps-round the OFDM symbol so that any bit of data input to the interleaver does not always modulate the same carrier in the OFDM symbol. Thus the address generator, could optionally include an offset generator, which generates an offset in an address generated by the address generator on the output channel H(q).

The offset would change each symbol. For example, this offset could provide be a cyclic sequence. This cyclic sequence could be, for example, of length 4 and could consist of, for example, prime numbers. For example, such a sequence could be:

0, 41, 97, 157

Furthermore, the offset may be a random sequence, which may be generated by another address generator from a similar OFDM symbol interleaver or may be generated by some other means.

Using a Sequence of Permutations

As shown in FIG. 5, a control line 111 extends from the control unit of the address generator to the permutation circuit. As mentioned above, in one example the address generator can apply a different permutation code from a set of permutation codes for successive OFDM symbols. Using a sequence of permutations in the interleaver address generator reduces a likelihood that any bit of data input to the interleaver does not always modulate the same sub-carrier in the OFDM symbol.

For example, this could be a cyclic sequence, so that a different permutation code in a set of permutation codes in a sequence is used for successive OFDM symbols and then repeated. This cyclic sequence could be, for example, of length two or four. For the example of the 16k symbol interleaver a sequence of two permutation codes which are cycled through per OFDM symbol could be for example:

8 4 3 2 0 11 1 5 12 10 6 7 9

7 9 5 3 11 1 4 0 2 12 10 8 6

whereas a sequence of four permutation codes could be:

8 4 3 2 0 11 1 5 12 10 6 7 9

7 9 5 3 11 1 4 0 2 12 10 8 6

6 11 7 5 2 3 0 1 10 8 12 9 4

5 12 9 0 3 10 2 4 6 7 8 11 1

The switching of one permutation code to another could be effected in response to a change in the Odd/Even signal indicated on the control channel 108. In response the control unit 224 changes the permutation code in the permutation code circuit 210 via the control line 111.

For the example of a 1k symbol interleaver, two permutation codes could be:

4 3 2 1 0 5 6 7 8

3 2 5 0 1 4 7 8 6

whereas four permutation codes could be:

4 3 2 1 0 5 6 7 8

3 2 5 0 1 4 7 8 6

7 5 3 8 2 6 1 4 0

1 6 8 2 5 3 4 0 7

Other combinations of sequences may be possible for 2k, 4k and 8k carrier modes or indeed 0.5k carrier mode. For example, the following permutation codes for each of the 0.5k, 2k, 4k and 8k provide good de-correlation of symbols and can be used cyclically to generate the offset to the address generated by an address generator for each of the respective modes:

2k Mode:

0 7 5 1 8 2 6 9 3 4*

4 8 3 2 9 0 1 5 6 7

8 3 9 0 2 1 5 7 4 6

7 0 4 8 3 6 9 1 5 2

4k Mode:

7 10 5 8 1 2 4 9 0 3 6**

6 2 7 10 8 0 3 4 1 9 5

9 5 4 2 3 10 1 0 6 8 7

1 4 10 3 9 7 2 6 5 0 8

8k Mode:

5 11 3 0 10 8 6 9 2 4 1 7*

10 8 5 4 2 9 1 0 6 7 3 11

11 6 9 8 4 7 2 1 0 10 5 3

8 3 11 7 9 1 5 6 4 0 2 10

For the permutation codes indicated above, the first two could be used in a two sequence cycle, whereas all four could be used for a four sequence cycle. In addition, some further sequences of four permutation codes, which are cycled through to provide the offset in an address generator to produce a good de-correlation in the interleaved symbols (some are common to the above) are provided below:

0.5k Mode:

3 7 4 6 1 2 0 5

4 2 5 7 3 0 1 6

5 3 6 0 4 1 2 7

6 1 0 5 2 7 4 3

2k Mode:

0 7 5 1 8 2 6 9 3 4*

3 2 7 0 1 5 8 4 9 6

4 8 3 2 9 0 1 5 6 7

7 3 9 5 2 1 0 6 4 8

4k Mode:

7 10 5 8 1 2 4 9 0 3 6**

6 2 7 10 8 0 3 4 1 9 5

10 3 4 1 2 7 0 6 8 5 9

0 8 9 5 10 4 6 3 2 1 7

8k Mode:

5 11 3 0 10 8 6 9 2 4 1 7*

8 10 7 6 0 5 2 1 3 9 4 11

11 3 6 9 2 7 4 10 5 1 0 8

10 8 1 7 5 6 0 11 4 2 9 3

* these are the permutations in the DVB-T standard

** these are the permutations in the DVB-H standard

Examples of address generators, and corresponding interleavers, for the 2k, 4k and 8k modes are disclosed in European patent application number 04251667.4, which corresponds to U.S. Patent Application Publication No. 2008/298487, the contents of which are incorporated herein by reference. An address generator for the 0.5k mode are disclosed in our co-pending UK patent application number 0722553.5. Various modifications may be made to the embodiments described above without departing from the scope of the present invention. In particular, the example representation of the generator polynomial and the permutation order which have been used to represent aspects of the

invention are not intended to be limiting and extend to equivalent forms of the generator polynomial and the permutation order.

As will be appreciated the transmitter and receiver shown in FIGS. 1 and 7 respectively are provided as illustrations only and are not intended to be limiting. For example, it will be appreciated that the position of the symbol interleaver and the de-interleaver with respect, for example to the bit interleaver and the mapper can be changed. As will be appreciated the effect of the interleaver and de-interleaver is un-changed by its relative position, although the interleaver may be interleaving I/Q symbols instead of v-bit vectors. A corresponding change may be made in the receiver. Accordingly the interleaver and de-interleaver may be operating on different data types, and may be positioned differently to the position described in the example embodiments.

As explained above the permutation codes and generator polynomial of the interleaver, which has been described with reference to an implementation of a particular mode, can equally be applied to other modes, by changing the predetermined maximum allowed address in accordance with the number of sub-carriers for that mode.

As mentioned above, embodiments of the present invention find application with DVB standards such as DVB-T, DVB-T2 (published as EN 302 755) and DVB-H (published as ETSI EN 302 304 V 1.1.1 (November 2004)), which are incorporated herein by reference. For example embodiments of the present invention may be used in a transmitter or receiver operating in accordance with the DVB-H standard, in hand-held mobile terminals. The mobile terminals may be integrated with mobile telephones (whether second, third or higher generation) or Personal Digital Assistants or Tablet PCs for example. Such mobile terminals may be capable of receiving DVB-H or DVB-T compatible signals inside buildings or on the move in for example cars or trains, even at high speeds. The mobile terminals may be, for example, powered by batteries, mains electricity or low voltage DC supply or powered from a car battery. Services that may be provided by DVB-H may include voice, messaging, internet browsing, radio, still and/or moving video images, television services, interactive services, video or near-video on demand and option. The services might operate in combination with one another. In other examples embodiments of the present invention finds application with the DVB-T2 standard as specified in accordance with ETSI standard EN 302 755. In other examples embodiments of the present invention find application with the cable transmission standard known as DVB-C2. However, it will be appreciated that the present invention is not limited to application with DVB and may be extended to other standards for transmission or reception, both fixed and mobile.

The invention claimed is:

[1. A data processing apparatus configured to map input symbols to be communicated onto a predetermined number of sub-carrier signals of an Orthogonal Frequency Division Multiplexed (OFDM) symbol, the data processing apparatus comprising:

an interleaver configured to read-into a memory the predetermined number of data symbols for mapping onto the OFDM sub-carrier signals, and to read-out of the memory the data symbols for the OFDM sub-carriers to effect the mapping, the read-out being in a different order than the read-in, the order being determined from a set of addresses, with the effect that the data symbols are interleaved on the sub-carrier signals, and

an address generator configured to generate the set of addresses, an address being generated for each of the input symbols to indicate one of the sub-carrier signals onto which the data symbol is to be mapped, the address generator comprising:

a linear feedback shift register including a predetermined number of register stages and being configured to generate a pseudo-random bit sequence in accordance with a generator polynomial,

a permutation circuit configured to receive the content of the shift register stages and to permute the bits present in the register stages in accordance with a permutation order to form an address of one of the OFDM sub-carriers, and

a control unit configured in combination with an address check circuit to re-generate an address when a generated address exceeds a predetermined maximum valid address, wherein

the predetermined maximum valid address is approximately sixteen thousand,

the linear feedback shift register has thirteen register stages with a generator polynomial for the linear feedback shift register of $R_i'[12]=R_{i-1}'[0] \oplus R_{i-1}'[1] \oplus R_{i-1}'[4] \oplus R_{i-1}'[5] \oplus R_{i-1}'[9] \oplus R_{i-1}'[11]$, and the permutation order forms, with an additional bit, a fourteen bit address $R_i[n]$ for the i-th data symbol from the bit present in the n-th register stage $R_i'[n]$ in accordance with a code defined by the table:

		R', bit positions													
		12	11	10	9	8	7	6	5	4	3	2	1	0	
R _i bit positions.		8	4	3	2	0	11	1	5	12	10	6	7	9	

[2. The data processing apparatus as claimed in claim 1, wherein the predetermined maximum valid address is a value substantially between twelve thousand and sixteen thousand three hundred and eighty four.]

[3. The data processing apparatus as claimed in claim 1, wherein the OFDM symbol includes pilot sub-carriers, which are arranged to carry known symbols, and the predetermined maximum valid address depends on a number of the pilot sub-carrier symbols present in the OFDM symbol.]

[4. The data processing apparatus as claimed in claim 1, wherein the interleaver memory is configured to effect the mapping of the input data symbols onto the sub-carrier signals for even OFDM symbols by reading in the data symbols according to the set of addresses generated by the address generator and reading out in a sequential order, and for odd OFDM symbols by reading in the symbols into the memory in a sequential order and reading out the data symbols from the memory in accordance with the set of addresses generated by the address generator.]

[5. The data processing apparatus as claimed claim 1, wherein the permutation circuit is configured to change the permutation code, which permutes the order of the bits of the register stages to form the addresses from one OFDM symbol to another.]

[6. The data processing apparatus as claimed in claim 5, wherein the permutation circuit is configured to cycle through a sequence of different permutation codes for successive OFDM symbols.]

19

[7. The data processing apparatus as claimed in claim 6, wherein the sequence of permutation codes comprises two permutation codes, which are

	R _i ' bit positions												
	12	11	10	9	8	7	6	5	4	3	2	1	0
R _i bit positions	8	4	3	2	0	11	1	5	12	10	6	7	9

and

	R _i ' bit positions												
	12	11	10	9	8	7	6	5	4	3	2	1	0
R _i bit positions.	7	9	5	3	11	1	4	0	2	12	10	8	6

]

[8. The data processing apparatus as claimed in claim 5, wherein for both odd OFDM symbols and even OFDM symbols the interleaver is configured to read-into the memory the predetermined number of data symbols for mapping onto the OFDM sub-carrier signals in a sequential order, and to read-out of the memory the data symbols for the OFDM sub-carriers to effect the mapping according to the set of addresses generated by the address generator.]

[9. A transmitter for transmitting data using Orthogonal Frequency Division Multiplexing (OFDM), the transmitter including the data processing apparatus according to claim 1.]

[10. The transmitter as claimed in claim 9, wherein the transmitter is configured to transmit data in accordance with a Digital Video Broadcasting standard such as including the Digital Video Broadcasting-Terrestrial standard, the Digital Video Broadcasting-Handheld standard, or the Digital Video Broadcasting-Terrestrial2 standard.]

[11. A method of mapping input symbols to be communicated onto a predetermined number of sub-carrier signals of an Orthogonal Frequency Division Multiplexed (OFDM) symbol, the method comprising;

reading-into a memory the predetermined number of data symbols for mapping onto the OFDM sub-carrier signals,

reading-out of the memory the data symbols for the OFDM sub-carriers to effect the mapping, the read-out being in a different order than the read-in, the order being determined from a set of addresses, with the effect that the data symbols are interleaved on the sub-carrier signals, and

generating the set of addresses, an address being generated for each of the input symbols to indicate one of the sub-carrier signals onto which the data symbol is to be mapped, the generating the set of addresses comprising:

using a linear feedback shift register including a predetermined number of register stages to generate a pseudo-random bit sequence in accordance with a generator polynomial,

using a permutation circuit configured to receive the content of the shift register stages to permute the bits present in the register stages in accordance with a permutation order to form an address, and

20

re-generating an address when a generated address exceeds a predetermined maximum valid address, wherein

the predetermined maximum valid address is approximately sixteen thousand,

the linear feedback shift register has thirteen register stages with a generator polynomial for the linear feedback shift register of $R_i'[12]=R_{i-1}'[0] \oplus R_{i-1}'[1] \oplus R_{i-1}'[4] \oplus R_{i-1}'[5] \oplus R_{i-1}'[9] \oplus R_{i-1}'[11]$, and the permutation order forms, with an additional bit, a fourteen bit address $R_i[n]$ for the i-th data symbol from the bit present in the n-th register stage $R_i'[n]$ in accordance with a code defined by the table:

	R _i ' bit positions													
	12	11	10	9	8	7	6	5	4	3	2	1	0	
R _i bit positions.	8	4	3	2	0	11	1	5	12	10	6	7	9	

]

[12. The method as claimed in claim 11, wherein the predetermined maximum valid address is a value substantially between twelve thousand and sixteen thousand three hundred and eighty four.]

[13. The method as claimed in claim 11, wherein the OFDM symbol includes pilot sub-carriers, which are arranged to carry known symbols, and the predetermined maximum valid address depends on a number of the pilot sub-carrier symbols present in the OFDM symbol.]

[14. The method as claimed in claim 11, wherein the using a permutation circuit to receive the content of the shift register stages and permuting the bits present in the register stages in accordance with a permutation code to form an address, includes changing the permutation code, which permutes the order of the bits of the register stages to form the addresses, from one OFDM symbol to another.]

[15. The method as claimed in claim 14, wherein the changing the permutation code, which permutes the order of the bits of the register stages to form the addresses, from one OFDM symbol to another includes cycling through a sequence of different permutation codes for successive OFDM symbols.]

[16. The method as claimed in claim 15, wherein the sequence of permutation codes comprises two permutation codes, which are

	R _i ' bit positions													
	12	11	10	9	8	7	6	5	4	3	2	1	0	
R _i bit positions	8	4	3	2	0	11	1	5	12	10	6	7	9	

and

	R _i ' bit positions													
	12	11	10	9	8	7	6	5	4	3	2	1	0	
R _i bit positions.	7	9	5	3	11	1	4	0	2	12	10	8	6	

]

[17. The method as claimed in claim 14, wherein the reading-into the memory the predetermined number of data symbols from the OFDM sub-carrier signals, includes for both odd OFDM symbols and even OFDM symbols reading in the data symbols into the memory the predetermined number of data symbols for mapping onto the OFDM sub-carrier signals in a sequential order, and the reading-out of the memory the data symbols for the OFDM sub-carriers, includes for both odd OFDM symbols and even OFDM symbols reading-out of the memory the data symbols for the OFDM sub-carriers to effect the mapping according to addresses generated by the address generator.]

[18. A method of transmitting data symbols via a predetermined number of sub-carrier signals of an Orthogonal Frequency Division Multiplexed (OFDM) symbol, the method comprising;

receiving a predetermined number of data symbols for mapping onto the predetermined number of sub-carrier signals,

reading-into a memory the predetermined number of data symbols for mapping onto the OFDM sub-carrier signals,

reading-out of the memory the data symbols for the OFDM sub-carriers to effect the mapping, the read-out being in a different order than the read-in, the order being determined from a set of addresses, with the effect that the data symbols are interleaved on the sub-carrier signals, and

generating the set of addresses, an address being generated for each of the input symbols to indicate one of the sub-carrier signals onto which the data symbol is to be mapped, the generating the set of addresses comprising:

using a linear feedback shift register including a predetermined number of register stages to generate a pseudo-random bit sequence in accordance with a generator polynomial,

using a permutation circuit configured to receive the content of the shift register stages to permute the bits present in the register stages in accordance with a permutation order to form an address, and

re-generating an address when a generated address exceeds a predetermined maximum valid address, wherein

the predetermined maximum valid address is approximately sixteen thousand,

the linear feedback shift register has thirteen register stages with a generator polynomial for the linear feedback shift register of $R_i'[12]=R_{i-1}'[0]\oplus R_{i-1}'[1]\oplus R_{i-1}'[4]\oplus R_{i-1}'[5]\oplus R_{i-1}'[9]\oplus R_{i-1}'[11]$, and the permutation order forms, with an additional bit, a fourteen bit address $R_i[n]$ for the i-th data symbol from the bit present in the n-th register stage $R_i'[n]$ in accordance with a code defined by the table:

	R _i ' bit positions													
	12	11	10	9	8	7	6	5	4	3	2	1	0	
R _i bit positions.	8	4	3	2	0	11	1	5	12	10	6	7	9	

]

[19. An address generator for use with transmission of data symbols interleaved onto sub-carriers of an Orthogonal Frequency Division Multiplexed symbol, the address gen-

erator being configured to generate a set of addresses, each address being generated for each of the data symbols to indicate one of the sub-carrier signals onto which the data symbol is to be mapped, the address generator comprising:

a linear feedback shift register including a predetermined number of register stages and being configured to generate a pseudo-random bit sequence in accordance with a generator polynomial,

a permutation circuit configured to receive the content of the shift register stages and to permute the bits present in the register stages in accordance with a permutation order to form an address, and

a control unit configured in combination with an address check circuit to re-generate an address when a generated address exceeds a predetermined maximum valid address, wherein

the predetermined maximum valid address is approximately sixteen thousand,

the linear feedback shift register has thirteen register stages with a generator polynomial for the linear feedback shift register of $R_i'[12]=R_{i-1}'[0]\oplus R_{i-1}'[1]\oplus R_{i-1}'[4]\oplus R_{i-1}'[5]\oplus R_{i-1}'[9]\oplus R_{i-1}'[11]$, and the permutation order forms, with an additional bit, a fourteen bit address $R_i[n]$ for the i-th data symbol from the bit present in the n-th register stage $R_i'[n]$ in accordance with the table:

	R _i ' bit positions													
	12	11	10	9	8	7	6	5	4	3	2	1	0	
R _i bit positions.	8	4	3	2	0	11	1	5	12	10	6	7	9	

]

20. A data processing apparatus configured to map symbols received from sub-carrier signals of an Orthogonal Frequency Division Multiplexed (OFDM) symbol into an output symbol stream, the data processing apparatus comprising:

de-interleaver circuitry configured to read, into a memory, data symbols from the OFDM sub-carrier signals, and to read out of the memory the data symbols into the output symbol stream to effect the mapping, the read out being in a different order than the read in, the order being determined from a set of addresses, so that the data symbols are de-interleaved from the OFDM sub-carrier signals, and

address generating circuitry configured to generate the set of addresses, an address being generated for each of the received data symbols to indicate the OFDM sub-carrier signal from which the received data symbol is to be mapped into the output symbol stream, wherein the address generating circuitry is further configured to form an address comprising 14 bits with an offset, when a maximum valid address is approximately sixteen thousand for a 16k mode, and

the address generating circuitry is further configured to generate a first 13 bits of the 14 bits in accordance with a first generator polynomial being $R_i'[12]=R_{i-1}'[0]\oplus R_{i-1}'[1]\oplus R_{i-1}'[4]\oplus R_{i-1}'[5]\oplus R_{i-1}'[9]\oplus R_{i-1}'[11]$, with a fourteenth bit of the 14 bits being a toggle bit.

21. The data processing apparatus as claims in claim 20, wherein the address generating circuitry is further configured to regenerate an address when the generated address exceeds the maximum valid address.

23

22. The data processing apparatus as claimed in claim 20, wherein the address generating circuitry is further configured to determine the offset based on a random sequence.

23. The data processing apparatus as claimed in claim 20, wherein a number of the sub-carrier signals is in accordance with one of a plurality of modes including an 8k mode, the 16k mode and a 32k mode; and

the address generating circuitry is further configured to determine the offset in accordance with a generator polynomial to be used with one of the plurality of modes.

24. The data processing apparatus as claimed in claim 20, wherein the address generating circuitry is further configured to generate the first 13 bits of the 14 bits in accordance with a first permutation and a second permutation.

25. The data processing apparatus as claimed in claim 24, wherein the first permutation and the second permutation are defined according to a table:

	RI bit position													
	12	11	10	9	8	7	6	5	4	3	2	1	0	
First permutation	8	4	3	2	0	11	1	5	12	10	6	7	9	
Second permutation.	7	9	5	3	11	1	4	0	2	12	10	8	6	

26. The data processing apparatus as claimed in claim 24, wherein the first permutation and the second permutation are changed from one symbol to another.

27. A receiver configured to receive data using Orthogonal Frequency Division Multiplexing (OFDM), the receiver comprising:

the data processing apparatus of claim 20; and a recovering circuit configured to correct errors and recover an estimate of source data.

28. A method of mapping symbols received from sub-carrier signals of an Orthogonal Frequency Division Multiplexed (OFDM) symbol into an output symbol stream, the method comprising:

de-interleaving by reading into a memory data symbols from the OFDM sub-carrier signals, and reading out of the memory the data symbols into the output symbol stream to effect the mapping, the reading out being in a different order than the reading in, the order being determined from a set of addresses, with the effect that the data symbols are de-interleaved from the OFDM sub-carrier signals, and

24

generating the set of addresses, an address being generated for each of the received data symbols to indicate the OFDM sub-carrier signal from which the received data symbol is to be mapped into the output symbol stream, wherein the generating includes

forming an address comprising 14 bits with an offset when a maximum valid address is approximately sixteen thousand for a 16K mode, and generating the first 13 bits of the 14 bits in accordance with a first generator polynomial being $R'_i[12]=R'_{i-1}[0] \oplus R'_{i-1}[1] \oplus R'_{i-1}[4] \oplus R'_{i-1}[5] \oplus R'_{i-1}[9] \oplus R'_{i-1}[11]$, with the fourteenth bit of the 14 bits being a toggle bit.

29. The method of claim 28, wherein the generating of the set of addresses comprises regenerating an address when the generated address exceeds the maximum valid address.

30. The method of claim 28, wherein the offset is determined based on a random sequence.

31. The method of claim 28, wherein a number of the sub-carrier signals is in accordance with one of a plurality of modes including an 8k mode, the 16k mode and a 32k mode; and

the generating of the set of addresses comprises determining the offset in accordance with a generator polynomial to be used with one of the plurality of modes.

32. The method of claim 28, wherein the generating of the set of addresses comprises generating the first 13 bits of the 14 bits in accordance with a first permutation and a second permutation.

33. The method of claim 32, wherein the first permutation and the second permutation are defined according to a table:

	R'i bit position													
	12	11	10	9	8	7	6	5	4	3	2	1	0	
First permutation	8	4	3	2	0	11	1	5	12	10	6	7	9	
Second permutation.	7	9	5	3	11	1	4	0	2	12	10	8	6	

34. The method of claim 32, wherein the first permutation and the second permutation are changed from one symbol to another.

35. The method of claim 28, further comprising: correcting errors and recovering an estimate of source data.

* * * * *