



US00RE48143E

(19) **United States**
(12) **Reissued Patent**
Kimura et al.

(10) **Patent Number:** **US RE48,143 E**
(45) **Date of Reissued Patent:** ***Aug. 4, 2020**

(54) **LIQUID CRYSTAL DISPLAY APPARATUS**

(71) Applicant: **Saturn Licensing LLC**, New York, NY (US)

(72) Inventors: **Kiyohiro Kimura**, Miyagi (JP); **Makoto Aoki**, Miyagi (JP); **Jun Sasaki**, Miyagi (JP); **Toru Abiko**, Miyagi (JP)

(73) Assignee: **Saturn Licensing LLC**, New York, NY (US)

(*) Notice: This patent is subject to a terminal disclaimer.

(21) Appl. No.: **15/704,925**

(22) Filed: **Sep. 14, 2017**

Related U.S. Patent Documents

Reissue of:

(64) Patent No.: **7,995,158**
Issued: **Aug. 9, 2011**
Appl. No.: **11/920,886**
PCT Filed: **Mar. 29, 2007**
PCT No.: **PCT/JP2007/056793**
§ 371 (c)(1),
(2) Date: **Aug. 29, 2008**
PCT Pub. No.: **WO2007/119584**
PCT Pub. Date: **Oct. 25, 2007**

U.S. Applications:

(63) Continuation of application No. 14/603,284, filed on Jan. 22, 2015, now Pat. No. Re. 46,601, which is a (Continued)

(30) **Foreign Application Priority Data**

Mar. 29, 2006 (JP) 2006-090709

(51) **Int. Cl.**

G02F 1/1335 (2006.01)
F21V 8/00 (2006.01)
G02F 1/13357 (2006.01)

(52) **U.S. Cl.**

CPC **G02B 6/0053** (2013.01); **G02F 1/133606** (2013.01); **G02F 2001/133607** (2013.01)

(58) **Field of Classification Search**

CPC **G02B 6/0053**; **G02F 1/133606**; **G02F 2001/133607**

See application file for complete search history.

(56) **References Cited**

U.S. PATENT DOCUMENTS

5,592,332 A 1/1997 Nishio et al.
5,600,455 A 2/1997 Ishikawa et al.
(Continued)

FOREIGN PATENT DOCUMENTS

EP 0942227 A1 9/1999
EP 1550886 A1 7/2005
(Continued)

OTHER PUBLICATIONS

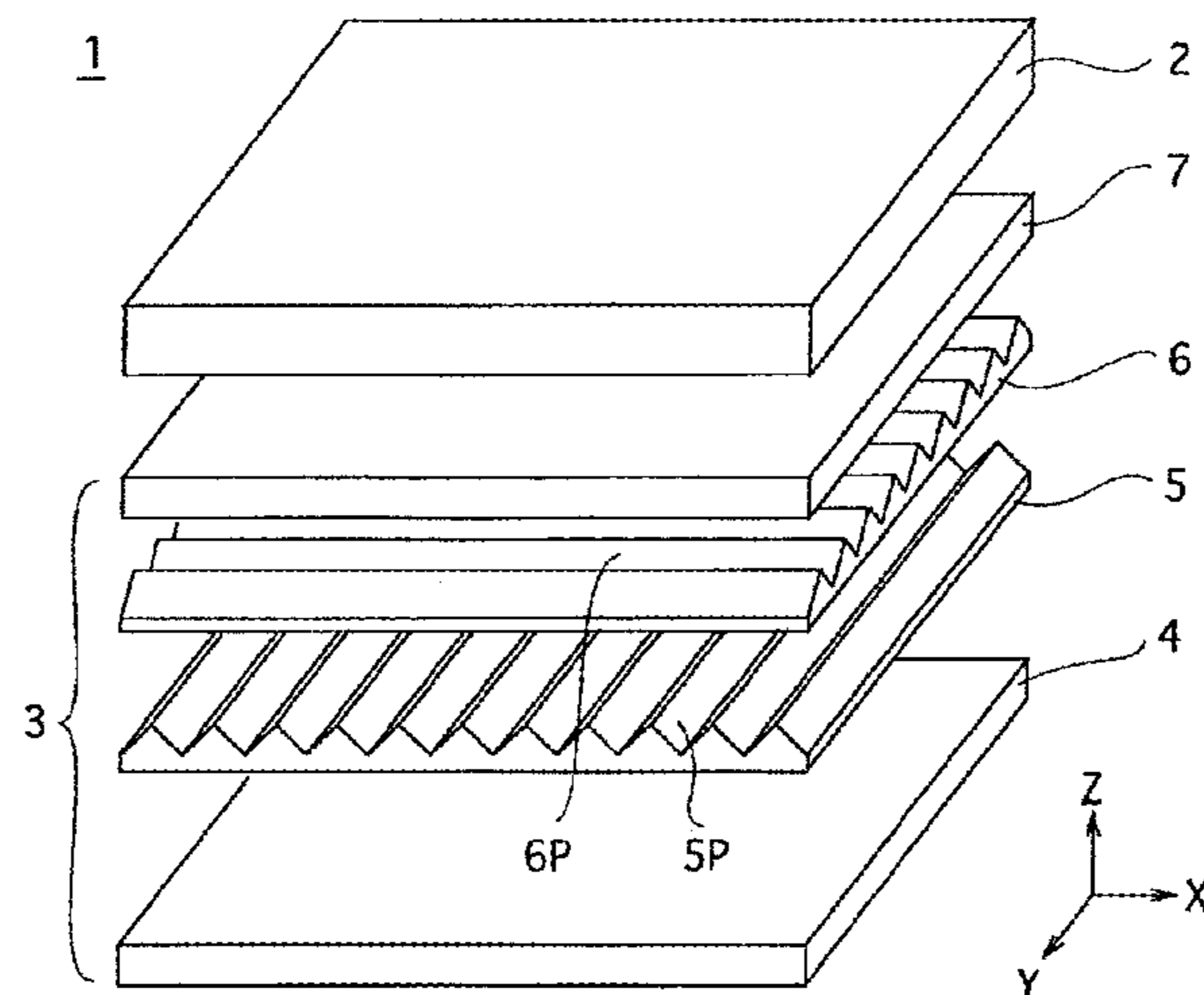
U.S. Appl. No. 14/603,284, filed Jan. 22, 2015, Kimura et al.
(Continued)

Primary Examiner — Deandra M Hughes
(74) *Attorney, Agent, or Firm* — Wolf, Greenfield & Sacks, P.C.

(57) **ABSTRACT**

A liquid crystal display apparatus is provided in which occurrence of a moiré pattern can be prevented without largely reducing front luminance. A liquid crystal display apparatus 1 includes a surface light source 4, a liquid crystal display panel 2, and first and second prism sheets 5 and 6 for condensing light emitted from the surface light source 4 and guiding the light toward the liquid crystal display panel. The first and second prism sheets 5 and 6 are disposed such that prism array directions thereof are orthogonal to each other. When a pixel pitch of the liquid crystal display panel 2 is defined as Pp [μm]; a prism array pitch of the first prism sheet 5 is defined as Px [μm]; and a prism array pitch of the

(Continued)



US RE48,143 E

Page 2

second prism sheet 6 is defined as P_y [μm], relationships of $P_x \leq P_p / (14 - 0.045 P_p)$ and $P_y \leq P_p / (11.5 - 0.032 P_p)$ are satisfied.

28 Claims, 6 Drawing Sheets

Related U.S. Application Data

continuation of application No. 13/963,267, filed on Aug. 9, 2013, now abandoned, which is an application for the reissue of Pat. No. 7,995,158.

(56)

References Cited

U.S. PATENT DOCUMENTS

5,798,805 A * 8/1998 Ooi et al. 349/10
6,027,220 A * 2/2000 Arai G02B 6/0056
362/19
6,091,547 A * 7/2000 Gardiner et al. F21V 5/02
359/621
7,710,512 B2 5/2010 Lee
7,972,052 B2 7/2011 Park
7,995,158 B2 8/2011 Kimura et al.
2001/0035924 A1* 11/2001 Fujieda 349/65
2002/0113925 A1 8/2002 Higashi
2003/0160917 A1* 8/2003 Takahashi et al. .. G02B 6/0048
349/113
2004/0076396 A1* 4/2004 Suga G02B 6/0036
385/146
2004/0207918 A1 10/2004 Abe et al.
2004/0218390 A1* 11/2004 Holman G02B 5/045
362/245
2005/0041410 A1* 2/2005 Yamashita G02B 5/30
362/620

2005/0078374 A1* 4/2005 Taira G02B 5/1814
359/569
2005/0094295 A1 5/2005 Yamashita et al.
2005/0140860 A1 6/2005 Olczak
2006/0132670 A1 6/2006 Choi et al.
2006/0164864 A1 7/2006 Arihara
2006/0256582 A1 11/2006 Chuang
2006/0270806 A1* 11/2006 Hale C08J 5/18
525/439
2007/0010649 A1* 1/2007 Hale A01G 9/1438
528/302
2007/0014127 A1 1/2007 Hara et al.
2007/0223232 A1 9/2007 Hwang et al.
2007/0258030 A1* 11/2007 Kimura G02B 5/045
349/122
2008/0137004 A1 6/2008 Iwasaki et al.
2008/0259243 A1* 10/2008 Ohta G02B 5/045
349/64
2008/0316392 A1* 12/2008 Arima G02F 1/133606
349/64
2009/0079905 A1 3/2009 Kimura et al.

FOREIGN PATENT DOCUMENTS

JP 08-036179 2/1996
JP 2004-046076 2/2004
JP 2005-234538 9/2005
JP 10-506500 6/2007
WO 96/10148 4/1996
WO WO 2003/065083 A1 8/2003

OTHER PUBLICATIONS

International Search Report and Written Opinion for International Application No. PCT/JP2007/056793 dated May 15, 2007.
International Preliminary Report on Patentability for International Application No. PCT/JP2007/056793 dated Oct. 21, 2008.

* cited by examiner

FIG. 1

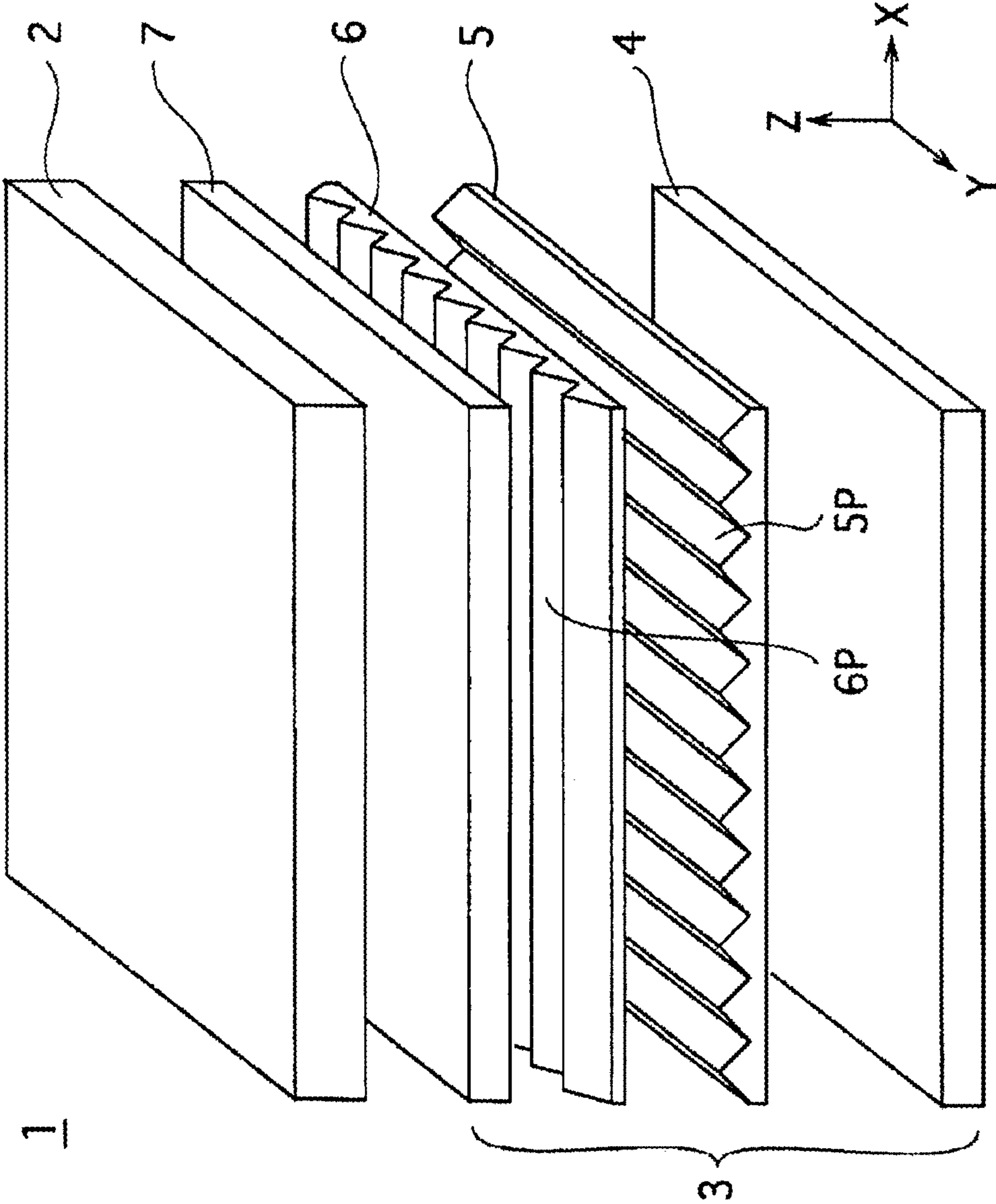


FIG. 2

PIXEL PITCH = 222 μ m

PRISM ARRAY PITCH P_x[μ m]

	50	19	14	10	5
50	00	-310	-360	-400	-450
19	310	00	-50	-90	-140
14	360	50	00	-40	-90
10	400	90	40	00	-50
5	450	140	90	50	00

FIG. 3

PIXEL PITCH = 144 μ m

PRISM ARRAY PITCH P_x[μ m]

	50	19	14	10	5
50	0X	-31X	-36X	-40X	-45X
19	31X	00	-50	-90	-140
14	36X	50	00	-40	-90
10	40X	90	40	00	-50
5	45X	140	90	50	00

FIG. 4

PIXEL PITCH = 136.5 μm

PRISM ARRAY PITCH $P_x[\mu\text{m}]$

PRISM ARRAY PITCH $P_y[\mu\text{m}]$

	50	19	14	10	5
50	0X	-31X	-36X	-40X	-45X
19	31X	0X	-5O	-9O	-14O
14	36X	5X	0O	-4O	-9O
10	40X	9X	4O	0O	-5O
5	45X	14X	9O	5O	0O

FIG. 5

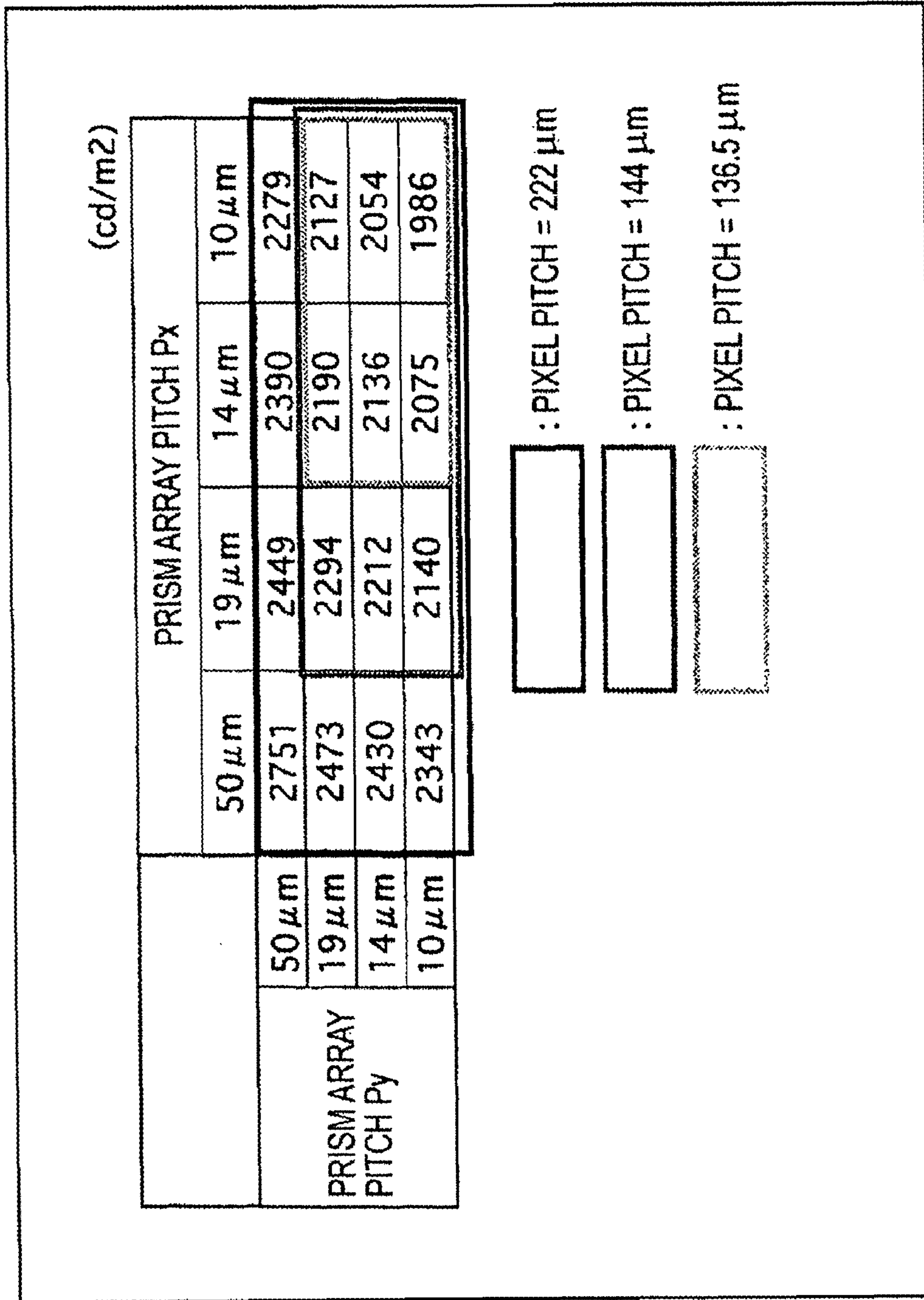


FIG. 6

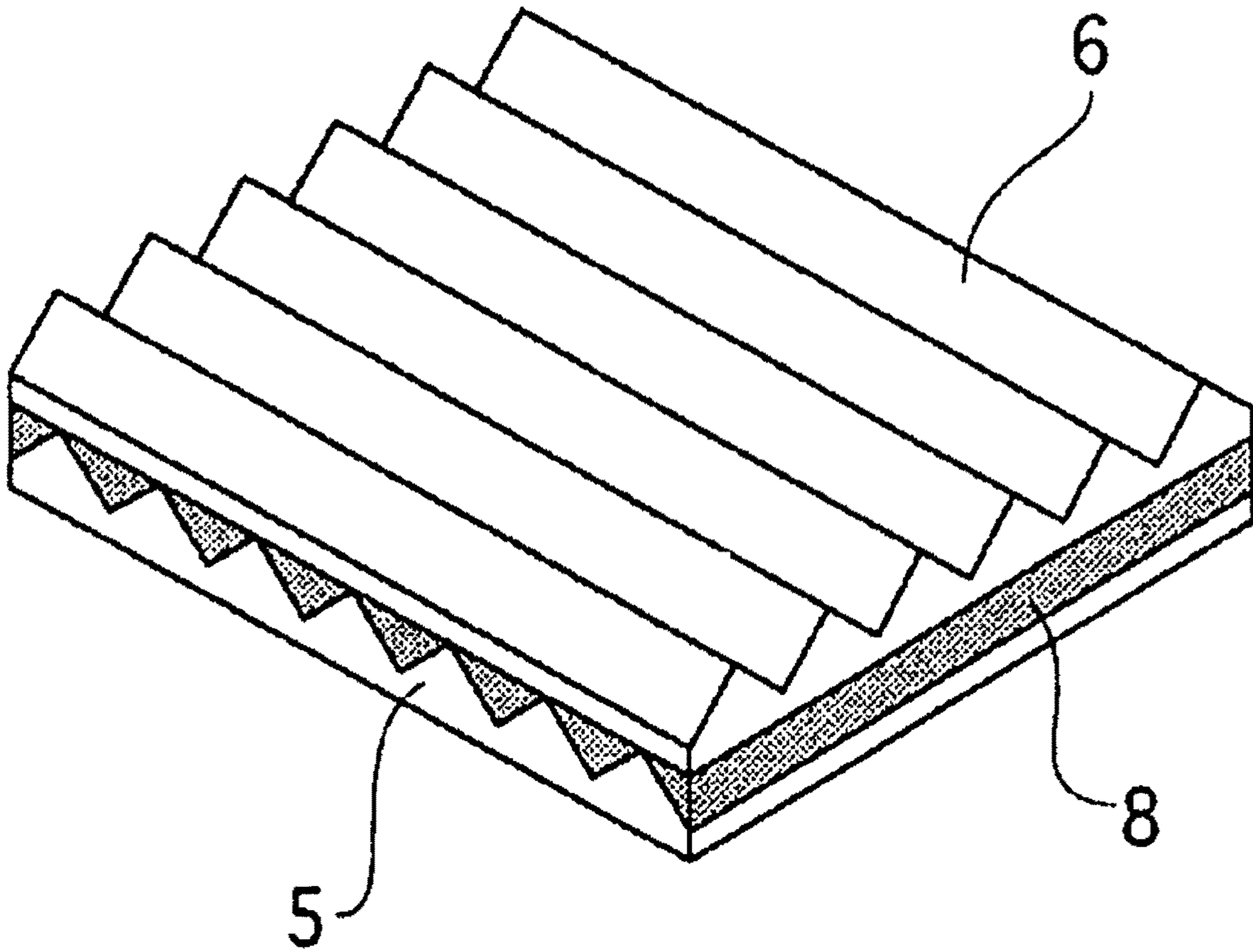
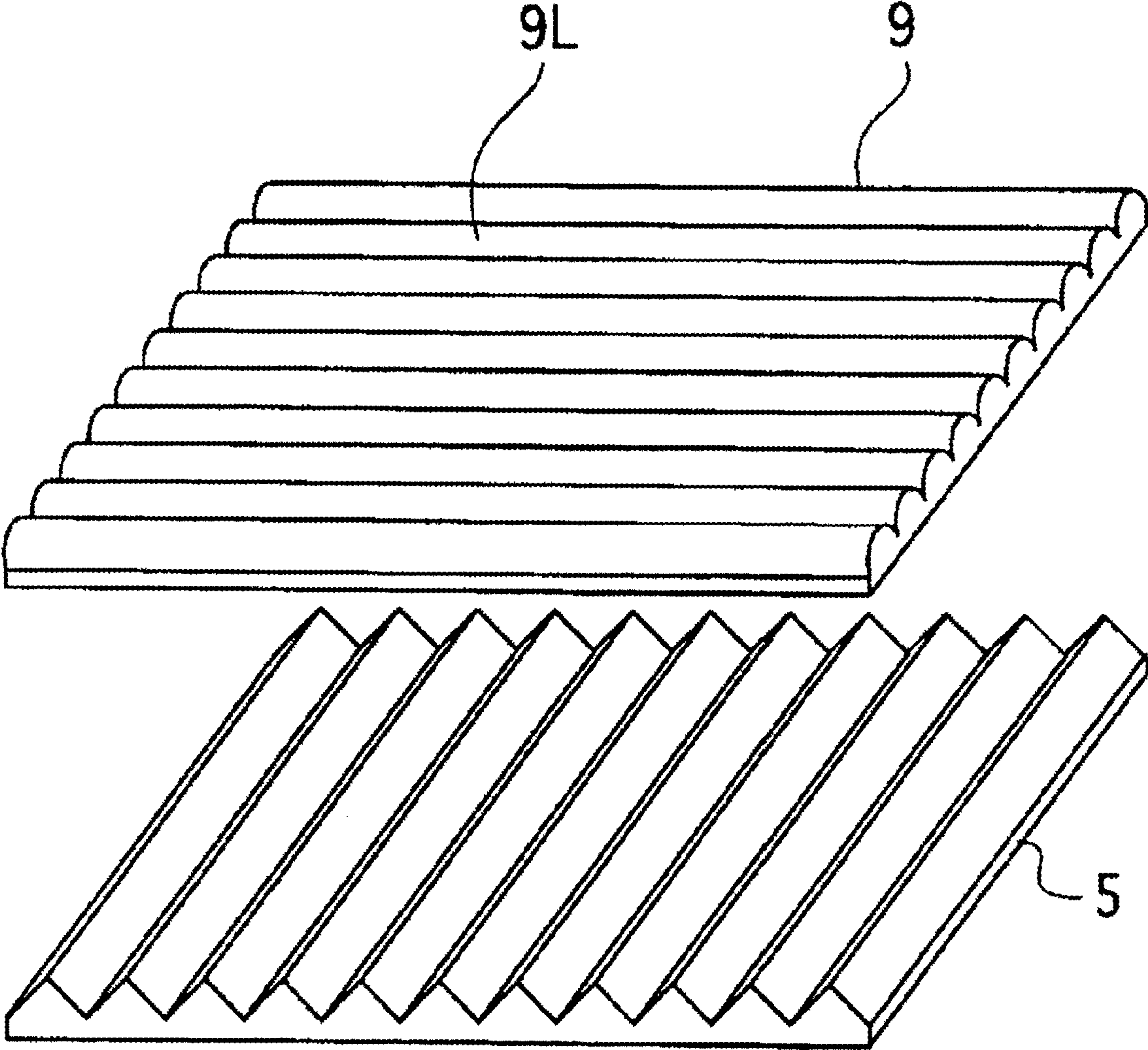


FIG. 7



LIQUID CRYSTAL DISPLAY APPARATUS

Matter enclosed in heavy brackets [] appears in the original patent but forms no part of this reissue specification; matter printed in italics indicates the additions made by reissue; a claim printed with strikethrough indicates that the claim was canceled, disclaimed, or held invalid by a prior post-patent action or proceeding.

CROSS-REFERENCE TO RELATED APPLICATIONS

Notice is hereby provided that more than one reissue application has been filed: this application is a reissue continuation of U.S. application Ser. No. 14/603,284, filed Jan. 22, 2015, which is a reissue continuation of U.S. application Ser. No. 13/963,267, filed on Aug. 9, 2013, which is a reissue of U.S. Pat. No. 7,995,158, filed Aug. 29, 2008, which is a National Stage of International Application PCT/JP2007/056793, filed Mar. 29, 2007, which claims the benefit of and priority to Japanese Patent Application 2006-090709, filed on Mar. 29, 2006.

TECHNICAL FIELD

The present invention relates to a liquid crystal display apparatus including a light-transmissive condenser sheet, and more particularly to a liquid crystal display apparatus including a first condenser sheet and a second condenser sheet that are arranged in a stack.

BACKGROUND ART

Liquid crystal display (LCD) apparatuses have a lower power consumption and can be made smaller and thinner than cathode-ray-tube (CRT) apparatuses. Nowadays, various sizes of liquid crystal display apparatuses are widely used, ranging from small apparatuses such as mobile phones and digital cameras to large apparatuses such as large liquid crystal televisions.

Liquid crystal display apparatuses are classified into a transmissive type, a reflective type, and the like. Particularly, a transmissive liquid crystal display apparatus includes a liquid crystal display panel constituted by a pair of transparent substrates with a liquid crystal layer therebetween and a backlight unit serving as an illumination light source. Backlight units are classified into a direct-lighting type, in which a light source is provided directly under a liquid crystal display panel, and an edge-lighting type.

In general, a backlight unit for liquid crystal display apparatuses employs a condenser sheet, such as a prism sheet, a lens sheet, or the like, for orienting light emitted from a light source toward the front.

For example, a prism sheet includes a number of prisms each having a triangular cross section on a light-output surface thereof. The prism sheet condenses and orients light incident thereon toward the front by refracting and transmitting the incident light through inclined planes of the prisms. Particularly, for use in mobile apparatuses, an exemplary structure is known in which two prism sheets are arranged in a stack such that respective prism arrays of the two sheets are oriented orthogonally to each other, whereby light spreading in the two directions are efficiently condensed to improve front luminance (refer to Patent Document 1 below).

[Patent Document 1] PCT Japanese Translation Patent Publication No. 10-506500

DISCLOSURE OF THE INVENTION

Problem to be Solved by the Invention

A contrast pattern (moiré pattern) may occur due to interference depending on the prism array pitch of a prism sheet and the pixel array pitch of a liquid crystal display panel. In order to prevent the occurrence of such a moiré pattern, it is effective to reduce the prism array pitch.

However, there is a problem in that simply reducing the prism array pitch may considerably reduce the front luminance and, consequently, degrade the image quality. The same problem applies to the case where two prism sheets are arranged in a stack, as described above.

In view of the above problem, the present invention aims to provide a liquid crystal display apparatus in which occurrence of a moiré pattern can be prevented without largely reducing front luminance.

Means for Solving the Problem

In solving the above problem, the inventors have found that a liquid crystal display apparatus causing no moiré pattern can be produced, while reduction of front luminance is minimized, by determining the optimum combination of prism array pitches of prism sheets in accordance with the pixel pitch of a liquid crystal display panel.

That is, a liquid crystal display apparatus according to the present invention includes a light source, a liquid crystal display panel, and condenser sheets for condensing light emitted from the light source and guiding the light toward the liquid crystal display panel. The condenser sheets include a first condenser sheet in which ridges of a first corrugated structure having a light-condensing characteristic are periodically arranged on one surface the first condenser sheet in a longitudinal direction of the liquid crystal display panel, and a second condenser sheet in which ridges of a second corrugated structure having a light-condensing characteristic are periodically arranged on one surface the of the second condenser sheet in a lateral direction of the liquid crystal display panel. When a pixel pitch of the liquid crystal display panel is defined as Pp [μm], an array pitch of the first corrugated structure is defined as Px [μm], and an array pitch of the second corrugated structure is defined as Py [μm], the following relationships are satisfied:

$$Px \leq Pp / (14 - 0.045Pp), \text{ and}$$

$$Py \leq Pp / (11.5 - 0.032Pp).$$

As described above, by determining the array pitches of the respective corrugated structures of the first and second condenser sheets in accordance with the pixel pitch of the liquid crystal display panel, occurrence of a moiré pattern can be prevented without largely reducing front luminance of the liquid crystal display panel.

Preferably, $Px \leq 50$, $Py \leq 50$, and $|Px - Py| < 50$ are satisfied when $Pp \geq 222$; $Px \leq 20$, $Py \leq 20$, and $|Px - Py| < 20$ are satisfied when $222 > Pp \geq 144$; and $Px \leq 15$, $Py \leq 20$, and $-20 < Px - Py < 15$ are satisfied when $114 > Pp \geq 136.5$.

The first and second corrugated structures correspond to prism structures having ridges of a triangular shape in cross section if the condenser sheets are prism sheets. If the condenser sheets are lens sheets, the first and second corrugated structures have ridges of a lens shape, such as an aspheric lens, with a curved cross section.

3

Advantages of the Invention

As described above, according to the liquid crystal display apparatus of the present invention, occurrence of a moiré pattern can be prevented without largely reducing front luminance.

BRIEF DESCRIPTION OF THE DRAWINGS

FIG. 1 is an exploded perspective view showing the schematic structure of a liquid crystal display apparatus according to an embodiment of the present invention.

FIG. 2 is a diagram showing occurrence of a moiré pattern in various combinations of prism array pitches P_x and P_y when the pixel pitch is $222\ \mu\text{m}$.

FIG. 3 is a diagram showing occurrence of a moiré pattern in various combinations of prism array pitches P_x and P_y when the pixel pitch is $144\ \mu\text{m}$.

FIG. 4 is a diagram showing occurrence of a moiré pattern in various combinations of prism array pitches P_x and P_y when the pixel pitch is $136.5\ \mu\text{m}$.

FIG. 5 is a diagram showing values of front luminance in various combinations of prism array pitches P_x and P_y .

FIG. 6 is a schematic perspective view showing an exemplary structure in which a first prism sheet and a second prism sheet are combined together with an adhesive layer therebetween.

FIG. 7 is a schematic perspective view showing an exemplary combination of a first condenser sheet constituting a prism sheet and a second condenser sheet constituting a lens sheet.

BEST MODE FOR CARRYING OUT THE INVENTION

An embodiment of the present invention will now be described with reference to the drawings. The invention is not limited to the following embodiment, and various modifications can be made within the scope of the invention.

FIG. 1 is an exploded perspective view showing the schematic structure of a liquid crystal display apparatus 1 according to an embodiment of the present invention. The liquid crystal display apparatus 1 in the figure includes a liquid crystal display panel 2 and a backlight unit 3. The backlight unit 3 includes a surface light source 4, a first prism sheet 5, a second prism sheet 6, and a diffusion plate 7 arranged in that order.

The liquid crystal display panel 2 includes pixels arranged in the longitudinal direction (X-direction in FIG. 1) and the lateral direction (Y-direction in FIG. 1) thereof at a predetermined pitch, and displays a predetermined image on the front surface thereof by controlling the transmittance of light applied from the backlight unit 3 for each of the pixels. The image displayed is a color image but not limited thereto, of course. The liquid crystal display panel 2 includes a liquid crystal cell constituted by a pair of transparent substrates facing each other with a liquid crystal layer provided therebetween, a pair of polarizing plates sandwiching the liquid crystal cell, and the like. The liquid crystal material constituting the liquid crystal layer is not particularly limited but is appropriately selected according to the method for driving liquid crystal, such as the TN method, the VA method, or the like.

The surface light source 4 is either a direct-lighting type in which a plurality of light sources are disposed on a surface or an edge-lighting type in which a light-guiding plate is used. The surface light source 4 irradiates the entire back

4

surface of the liquid crystal display panel 2 with backlight. As the light sources, linear light sources such as fluorescent tubes or point light sources such as light-emitting diodes are used.

The first and second prism sheets 5 and 6 serve as "condenser sheets" of the invention for condensing light emitted from the surface light source 4 toward the front (in the Z-direction) so as to improve front luminance. The diffusion plate 7 is an optically functional element for diffusing and delivering the backlight so as to produce uniform luminance. The diffusion plate 7 may be provided between the first prism sheet 5 and the surface light source 4. Optically functional elements other than the first and second prism sheets 5, 6, and the diffusion plate 7 may also be provided, such as a polarization separation element that transmits one polarized component and reflects another polarized component, for example.

Each of the first and second prism sheets 5 and 6 is provided with a prism structure having ridges of a triangular shape in cross section on a light-output surface thereof. The prism structure correspond to a "corrugated structure" of the present invention.

On the first prism sheet 5, prisms 5P are arranged successively at a predetermined pitch in the longitudinal direction of the liquid crystal display panel 2 (the X-direction in FIG. 1). On the second prism sheet 6, prisms 6P are arranged successively at a predetermined pitch in the lateral direction of the liquid crystal display panel 2 (the Y-direction in FIG. 1). In this embodiment, cross sections of the prisms 5P and the prisms 6P are both isosceles triangles each having a vertex angle of 90° .

The first prism sheet 5 condenses light spreading in the X-direction, among the backlight emitted from the surface light source 4, toward the Z-direction. The second prism sheet 6 condenses light spreading in the Y-direction toward the Z-direction. Since the light spreading in the X- and Y-directions are condensed toward the front (in the Z-direction) by the first and second prism sheets 5 and 6, front luminance of the liquid crystal display apparatus 1 is more improved than in the case where only one prism sheet is provided.

The prism array pitch of the first prism sheet 5 and the prism array pitch of the second prism sheet 6 may be either the same or different. In general, the smaller the prism array pitch is, the lower the resultant front luminance becomes. Moreover, a moiré pattern of interference fringes may occur due to the periodic structures provided on the first and second prism sheets 5 and 6 and the display pixels provided on the liquid crystal display panel 2. The occurrence of such a moiré pattern can be prevented by reducing the prism array pitches of the first and second prism sheets 5 and 6. However, if the prism array pitches are excessively reduced, front luminance will be reduced considerably.

Hence, the liquid crystal display apparatus 1 of this embodiment is configured so that, when the pixel pitch of the liquid crystal display panel 2 is defined as P_p [μm], the prism array pitch of the first prism sheet 5 is defined as P_x [μm], and the prism array pitch of the second prism sheet 6 is defined as P_y [μm], the following relationships are satisfied:

$$P_x \leq P_p / (14 - 0.045 P_p), \text{ and}$$

$$P_y \leq P_p / (11.5 - 0.032 P_p) \quad (1)$$

By setting the first prism array pitch P_x and the second prism array pitch P_y in accordance with the pixel pitch P_p of the liquid crystal display panel 2 so as to satisfy the above

5

expression (1), a liquid crystal display apparatus in which occurrence of a moiré pattern can be prevented without largely reducing front luminance can be obtained.

For example, when the pixel pitch P_p is $222\ \mu\text{m}$, the upper limits of P_x and P_y are about $55\ \mu\text{m}$ and $56\ \mu\text{m}$, respectively; when the pixel pitch is $144\ \mu\text{m}$, the upper limits of P_x and P_y are about $19\ \mu\text{m}$ and about $20\ \mu\text{m}$, respectively; and when the pixel pitch is $136.5\ \mu\text{m}$, the upper limits of P_x and P_y are about $17\ \mu\text{m}$ and $19\ \mu\text{m}$, respectively.

Preferably, in the case of $P_p \geq 222$, $P_x \leq 50$, $P_y \leq 50$, and $|P_x - P_y| < 50$ are satisfied; in the case of $222 > P_p \geq 144$, $P_x \leq 20$, $P_y \leq 20$, and $|P_x - P_y| < 20$ are satisfied; and in the case of $144 > P_p \geq 136.5$, $P_x \leq 15$, $P_y \leq 20$, and $-20 < P_x - P_y < 15$ are satisfied.

FIGS. 2 to 4 show the results of an experiment for checking occurrence of a moiré pattern for each of combinations of the prism array pitches of the first and second prism sheets 5 and 6 when the pixel pitches (P_p) of the liquid crystal display panel 2 are $222\ \mu\text{m}$, $144\ \mu\text{m}$, and $136.5\ \mu\text{m}$, respectively. In each of the figures, numbers in the table indicate the value of " $P_x - P_y$ ", a symbol "O" indicates that no moiré pattern occurred, and a symbol "x" indicates that a moiré pattern occurred. The occurrence of a moiré pattern was examined visually.

Referring to FIG. 2, in the case of the $222\ \mu\text{m}$ pixel pitch, it was found that no moiré pattern occurred in all the combinations where the prism array pitches P_x and P_y of the first and second prism sheets 5 and 6 are $50\ \mu\text{m}$ or less. In contrast, referring to FIG. 3, in the case of the $144\ \mu\text{m}$ pixel pitch, occurrence of a moiré pattern could be prevented only in the combinations where P_x and P_y are both $19\ \mu\text{m}$ or less. Further, in the case of the $136.5\ \mu\text{m}$ pixel pitch, occurrence of a moiré pattern could be prevented only in the combinations of $P_x \leq 14\ \mu\text{m}$ and $P_y \leq 19\ \mu\text{m}$.

As described above, by setting the pixel pitch P_p of the liquid crystal display panel 2 and the prism array pitches P_x and P_y of the first and second prism sheets 5 and 6 so as to satisfy the relationships of the expression (1), the liquid crystal display apparatus 1 causing no moiré pattern can be obtained.

FIG. 5 shows exemplary combinations of the prism array pitches P_x and P_y ($50\ \mu\text{m}$, $19\ \mu\text{m}$, $14\ \mu\text{m}$, and $10\ \mu\text{m}$) of the first and second prism sheets 5 and 6 and values of front luminance in those combinations. Front luminance is expressed as the measured luminance of light transmitted through the prism sheets 5 and 6. In FIG. 5, the ranges of the above-mentioned combinations of the prism pitches P_x and P_y where no moiré pattern occurred are indicated by rectangles of different lines for the cases of the pixel pitches of $222\ \mu\text{m}$, $144\ \mu\text{m}$, and $136.5\ \mu\text{m}$.

As shown in FIG. 5, it is understood that combinations of larger prism array pitches P_x and P_y produce higher front luminance. Further, by referring to the exemplary combinations in FIG. 5, the optimum selection for the prism sheets 5 and 6 capable of preventing reduction of front luminance caused by reduction of the prism pitches can be made in accordance with the pixel pitch of the liquid crystal display panel 2 to be used.

Thus, according to this embodiment, the array pitches of the respective prisms 5P and 6P on the first and second prism sheets 5 and 6 are determined in accordance with the pixel pitch of the liquid crystal display panel 2 as shown in the expression (1). Accordingly, occurrence of a moiré pattern can be prevented, without largely reducing front luminance of the liquid crystal display panel.

Furthermore, since the upper limits of the prism array pitches P_x and P_y producing a high front luminance without

6

causing a moiré pattern can be obtained easily according to the expression (1), the combination of the prism sheets 5 and 6 can be optimized and the degree of design flexibility can also be improved.

Next, detailed configurations of the first and second prism sheets 5 and 6 and modifications thereof will be described below.

Each of the first and second prism sheets 5 and 6 is configured to have a prism structure on one surface of a base film made of light-transmissive resin such as polyethylene terephthalate (PET) or polycarbonate (PC). The prism structure may be directly formed on the base film by a method such as casting or melt extrusion. Alternatively, a surface having the shape of the prism structure may be formed using an ultraviolet-curable resin material and then be transferred onto the surface of the base film.

In an exemplary configuration in which the prism structure is transferred onto the base film, the prism sheet can be made thinner by configuring the prism structure to be later separable from the base film. Specifically, the thickness of the prism sheet can be made thinner in the following manner, for example: the thickness of a $50\text{-}\mu\text{m}$ -pitch prism sheet becomes $50\ \mu\text{m}$, the thickness of a $19\text{-}\mu\text{m}$ -pitch prism sheet becomes $35\ \mu\text{m}$, the thickness of a $14\text{-}\mu\text{m}$ -pitch prism sheet becomes $32\ \mu\text{m}$, and the thickness of a $10\text{-}\mu\text{m}$ -pitch prism sheet becomes $30\ \mu\text{m}$.

If usability of the first and second prism sheets is expected to be degraded because of such thinning, the first and second prism sheets 5 and 6 may be bonded together with an adhesive layer 8 therebetween, as shown in FIG. 6. The adhesive layer 8 is preferably made of a material having a refractive index lower than those of the first and second prism sheets 5 and 6. For example, when the prism sheets 5 and 6 are made of polycarbonate having a refractive index of about 1.6, the adhesive layer 8 can be formed of an acrylic ultraviolet-curable resin having a refractive index of about 1.3 to 1.4.

The liquid crystal display apparatus 1 having an improved front luminance can be obtained by employing two prism sheets including the first and second prism sheets 5 and 6 as shown in FIG. 1. In this case, the vertex angle of each of the prisms 5P of the first prism sheet 5 provided on the lower position and the vertex angle of each of the prisms 6P of the second prism sheet 6 provided on the upper position are not necessarily the same, but may be different. For example, when the vertex angle of each of the prisms 6P is set larger than that of each of the prisms 5P, the viewing angle can be widened.

In the case where a single pixel includes sub-pixels having colors of R, G, and B as in the case of a color liquid crystal display panel, the prism array pitch P_x of the first prism sheet 5 having the prisms 5P arranged in the longitudinal direction (X-direction) of the screen may be set to one-third of the prism array pitch P_y of the second prism sheet 6 having the prisms 6P arranged in the lateral direction (Y-direction) of the screen.

The condenser sheets according to the present invention are not limited to the above-described prism sheets 5 and 6. FIG. 7 illustrates an example in which the first condenser sheet is formed of the first prism sheet 5 and the second condenser sheet is formed of a lens sheet 9. The lens sheet 9 includes a number of cylindrical lenses 9L each having, for example, an aspheric cross section successively arranged in one direction on a light-output surface thereof. In this example, the cylindrical lenses 9L are arranged in a cross-wise direction relative to the direction in which the prisms

5P are arranged (orthogonal to the direction in which the prisms 5P are arranged in the figure).

Also in this example, by setting the pixel pitch Pp of the liquid crystal display panel, the prism array pitch Px of the prism sheet 5, and a lens array pitch Py of the lens sheet 9 so as to satisfy the relationships of the expression (1), the advantages of the invention can be obtained. Further, by placing the lens sheet 9 on the upper position, a liquid crystal display apparatus having a wider viewing angle can be produced. Also when the first and second condenser sheets are both lens sheets, the same advantages as those described above can be obtained.

The invention claimed is:

[1. A liquid crystal display apparatus comprising:

a light source;

a liquid crystal display panel;

and condenser sheets for condensing light emitted from the light source and guiding the light toward the liquid crystal display panel,

the condenser sheets including:

a first condenser sheet in which ridges of a first corrugated structure having a first light-condensing characteristic are periodically arranged on one surface of the first condenser sheet in a longitudinal direction of the liquid crystal display panel; and

a second condenser sheet in which ridges of a second corrugated structure having a second light-condensing characteristic are periodically arranged on one surface of the second condenser sheet in a lateral direction of the liquid crystal display panel,

wherein, when a longitudinal, lateral, or sub-pixel pitch of the liquid crystal display panel is defined as Pp, an array pitch of the first corrugated structure is defined as Px, and an array pitch of the second corrugated structure is defined as Py, the following relationships are satisfied: Px is approximately equal to $Pp/(14-0.045Pp)$ and Py is approximately equal to $Pp/(11.5-0.032Pp)$ such that moiré patterns are not produced by the condenser sheets and the liquid crystal display panel, and the condenser sheets do not significantly reduce the luminance from the liquid crystal display.]

[2. The liquid crystal display apparatus according to claim 1, wherein each of the first and second corrugated structures is a prism structure having ridges of a triangular shape in cross section.]

[3. The liquid crystal display apparatus according to claim 1, wherein at least one of the ridges of the first corrugated structure or the ridges of the second corrugated structure have a shape of an aspheric lens.]

[4. The liquid crystal display apparatus according to claim 1, wherein $Px \leq 50$, $Py \leq 50$, and $|Px - Py| < 50$ are satisfied when $Pp \geq 222$.]

[5. The liquid crystal display apparatus according to claim 1, wherein $Px \leq 20$, $Py \leq 20$, and $|Px - Py| < 20$ are satisfied when $222 > Pp \geq 144$.]

[6. The liquid crystal display apparatus according to claim 1, wherein $Px \leq 15$, $Py \leq 20$, and $-20 < Px - Py < 15$ are satisfied when $114 > Pp \geq 136.5$.]

[7. The liquid crystal display apparatus according to claim 1, wherein Px is slightly less than or equal to $Pp/(14-0.045Pp)$ and Py is slightly less than or equal to $Pp/(11.5-0.032Pp)$.]

[8. A liquid crystal display apparatus comprising:

a liquid crystal display panel; and

condenser sheets for condensing light emitted from a light source and guiding the light toward the liquid crystal display panel,

the condenser sheets including:

a first condenser sheet in which ridges of a first corrugated structure having a first light-condensing characteristic are periodically arranged on one surface of the first condenser sheet in a longitudinal direction of the liquid crystal display panel; and

a second condenser sheet in which ridges of a second corrugated structure having a second light-condensing characteristic are periodically arranged on one surface of the second condenser sheet in a lateral direction of the liquid crystal display panel,

wherein, when a longitudinal, lateral, or sub-pixel pitch of the liquid crystal display panel is defined as Pp, an array pitch of the first corrugated structure is defined as Px, and an array pitch of the second corrugated structure is defined as Py, the following relationships are satisfied: Px is approximately equal to $Pp/(14-0.045Pp)$ and Py is approximately equal to $Pp/(11.5-0.032Pp)$ such that moiré patterns are not produced by the condenser sheets and the liquid crystal display panel, and the condenser sheets do not significantly reduce the luminance from the liquid crystal display.]

[9. The liquid crystal display apparatus according to claim 8 incorporated in a device selected from the following group: a mobile phone, a digital camera, a liquid crystal television.]

[10. The liquid crystal display apparatus according to claim 8, wherein each of the first and second corrugated structures is a prism structure having ridges of a triangular shape in cross section.]

[11. The liquid crystal display apparatus according to claim 8, wherein at least one of the ridges of the first corrugated structure or the ridges of the second corrugated structure have a shape of an aspheric lens.]

[12. The liquid crystal display apparatus according to claim 8, wherein $Px \leq 50$, $Py \leq 50$, and $|Px - Py| < 50$ are satisfied when $Pp \geq 222$.]

[13. The liquid crystal display apparatus according to claim 8, wherein $Px \leq 20$, $Py \leq 20$, and $|Px - Py| < 20$ are satisfied when $222 > Pp \geq 144$.]

[14. The liquid crystal display apparatus according to claim 8, wherein $Px \leq 15$, $Py \leq 20$, and $-20 < Px - Py < 15$ are satisfied when $114 > Pp \geq 136.5$.]

[15. The liquid crystal display apparatus according to claim 8, wherein Px is slightly less than or equal to $Pp/(14-0.045Pp)$ and Py is slightly less than or equal to $Pp/(11.5-0.032Pp)$.]

16. A liquid crystal display apparatus comprising:

a light source;

a liquid crystal display panel;

and condenser sheets for condensing light emitted from the light source and guiding the light toward the liquid crystal display panel,

the condenser sheets including:

a first condenser sheet in which ridges of a first corrugated structure having a first light-condensing characteristic are periodically arranged on one surface of the first condenser sheet in a longitudinal direction of the liquid crystal display panel; and

a second condenser sheet in which ridges of a second corrugated structure having a second light-condensing characteristic are periodically arranged on one surface of the second condenser sheet in a lateral direction of the liquid crystal display panel,

wherein, when a pixel pitch of the liquid crystal display panel is defined as Pp, an array pitch of the first corrugated structure is defined as Px, and an array

pitch of the second corrugated structure is defined as P_y , the following relationships are satisfied: $10 \mu\text{m} \leq P_x \leq P_p/(14-0.045P_p)$, and $10 \mu\text{m} \leq P_y \leq P_p/(11.5-0.032P_p)$ such that moiré patterns are not produced by the condenser sheets and the liquid crystal display panel, and the condenser sheets do not significantly reduce the luminance from the liquid crystal display.

17. The liquid crystal display apparatus according to claim 16, wherein each of the first and second corrugated structures is a prism structure having ridges of a triangular shape in cross section.

18. The liquid crystal display apparatus according to claim 16, wherein at least one of the ridges of the first corrugated structure or the ridges of the second corrugated structure have a shape of an aspheric lens.

19. A liquid crystal display apparatus comprising:

a liquid crystal display panel; and

condenser sheets for condensing light emitted from a light source and guiding the light toward the liquid crystal display panel,

the condenser sheets including:

a first condenser sheet in which ridges of a first corrugated structure having a first light-condensing characteristic are periodically arranged on one surface of the first condenser sheet in a longitudinal direction of the liquid crystal display panel; and

a second condenser sheet in which ridges of a second corrugated structure having a second light-condensing characteristic are periodically arranged on one surface of the second condenser sheet in a lateral direction of the liquid crystal display panel,

wherein, when a pixel pitch of the liquid crystal display panel is defined as P_p , an array pitch of the first corrugated structure is defined as P_x , and an array pitch of the second corrugated structure is defined as P_y , the following relationships are satisfied: $10 \mu\text{m} \leq P_x \leq P_p/(14-0.045P_p)$, $10 \mu\text{m} \leq P_y \leq P_p/(11.5-0.032P_p)$ such that moiré patterns are not produced by the condenser sheets and the liquid crystal display panel, and the condenser sheets do not significantly reduce the luminance from the liquid crystal display.

20. The liquid crystal display apparatus according to claim 19 incorporated in a device selected from the following group: a mobile phone, a digital camera, a liquid crystal television.

21. The liquid crystal display apparatus according to claim 19, wherein each of the first and second corrugated structures is a prism structure having ridges of a triangular shape in cross section.

22. The liquid crystal display apparatus according to claim 19, wherein at least one of the ridges of the first corrugated structure or the ridges of the second corrugated structure have a shape of an aspheric lens.

23. A liquid crystal display apparatus comprising:

a light source;

a liquid crystal display panel; and

condenser sheets for condensing light emitted from the light source and guiding the light toward the liquid crystal display panel,

the condenser sheets including;

a first condenser sheet in which ridges of a first corrugated structure having a first light-condensing characteristic are periodically arranged on one surface of the first condenser sheet in a first direction of the liquid crystal display panel; and

a second condenser sheet in which ridges of a second corrugated structure having a second light-condensing

characteristic are periodically arranged on one surface of the second condenser sheet in a second direction of the liquid crystal display panel, wherein the first direction and the second direction are crossed,

wherein, a pixel pitch of the liquid crystal display panel in micrometers is defined as P_p , an array pitch of the first corrugated structure in micrometers is defined as P_x and has a value greater than or equal to $10 \mu\text{m}$ and less than or equal to $P_p/(14-0.045P_p)$, and an array pitch of the second corrugated structure in micrometers is defined as P_y and has a value greater than or equal to $10 \mu\text{m}$ and less than or equal to $P_p/(11.5-0.032P_p)$.

24. The liquid crystal display apparatus according to claim 23, wherein the second direction is oriented orthogonally to the first direction.

25. The liquid crystal display apparatus according to claim 23, wherein the first direction is along a longitudinal direction of the liquid crystal display panel.

26. The liquid crystal display apparatus according to claim 23, wherein the second direction is along a lateral direction of the liquid crystal display panel.

27. The liquid crystal display apparatus according to claim 23, wherein each of the first and second corrugated structures is a prism structure having ridges of a triangular shape in cross section.

28. The liquid crystal display apparatus according to claim 23, wherein:

each of the first and second corrugated structures is a prism structure having ridges of a triangular shape in cross section; and

the vertex angle of the prism structures having ridges of a triangular shape in cross section in the first corrugated structure are different from the vertex angle of the prism structures having ridges of a triangular shape in cross section in the second corrugated structure.

29. The liquid crystal display apparatus according to claim 23, wherein at least one of the ridges of the first corrugated structure or the ridges of the second corrugated structure have a shape of an aspheric lens.

30. The liquid crystal display apparatus according to claim 23, wherein at least one of the first corrugated structure and second corrugated structure is on a surface of a base film made of light-transmissive resin.

31. The liquid crystal display apparatus according to claim 23, wherein the base film is selected from polyethylene terephthalate (PET) or polycarbonate (PC).

32. The liquid crystal display apparatus according to claim 23, wherein the first condenser sheet and second condenser sheet are bonded together with an adhesive layer.

33. The liquid crystal display apparatus according to claim 23, wherein the adhesive layer is made of a material having a refractive index lower than the first condenser sheet and second condenser sheet.

34. The liquid crystal display apparatus according to claim 23, the adhesive layer is formed of an acrylic ultra-violet-curable resin having a refractive index of from 1.3 to 1.4.

35. The liquid crystal display apparatus according to claim 23, further comprising a diffusion plate.

36. The liquid crystal display apparatus according to claim 23, wherein the diffusion plate is arranged between the condenser sheet and the light source.

37. The liquid crystal display apparatus according to claim 23, wherein the diffusion plate is arranged between the condenser sheet and the liquid crystal display panel.

38. The liquid crystal display apparatus according to claim 23, wherein the array pitch of the first corrugated

structure arranged in the longitudinal direction is set to one-third of the array pitch of the second corrugated structure arranged in the lateral direction.

39. The liquid crystal display apparatus according to claim 23, wherein the apparatus is further configured such that $50 \mu\text{m} \geq P_x \geq 14 \mu\text{m}$, $50 \mu\text{m} \geq P_y \geq 14 \mu\text{m}$, $P_x \leq P_p / (14 - 0.045P_p)$ and $P_y \leq P_p / (11.5 - 0.032P_p)$. 5

40. The liquid crystal display apparatus according to claim 23, wherein the apparatus is further configured such that $50 \mu\text{m} \geq P_y \geq 14 \mu\text{m}$ and $P_y \leq P_p / (11.5 - 0.032P_p)$. 10

41. The liquid crystal display apparatus according to claim 23, wherein $P_p = 222 \mu\text{m}$.

42. The liquid crystal display apparatus according to claim 23, wherein $P_p = 144 \mu\text{m}$.

43. The liquid crystal display apparatus according to claim 23, wherein $P_p = 136.5 \mu\text{m}$. 15

* * * * *