



US00RE48135E

(19) **United States**
(12) **Reissued Patent**
Jau et al.

(10) **Patent Number: US RE48,135 E**
(45) **Date of Reissued Patent: Jul. 28, 2020**

(54) **SERVER SYSTEM**

(56) **References Cited**

(71) Applicant: **Quanta Computer Inc.**, Taoyuan (TW)

U.S. PATENT DOCUMENTS

(72) Inventors: **Maw-Zan Jau**, Taipei (TW); **Wei-Yi Chu**, Taipei (TW); **Chao-Jung Chen**, New Taipei (TW); **Tzu-Hung Wang**, Keelung (TW); **Chih-Ming Chen**, New Taipei (TW)

4,805,856	A *	2/1989	Nicoli	F16L 3/233
				24/16 PB
6,310,783	B1 *	10/2001	Winch et al.	361/797
6,442,017	B1 *	8/2002	Ewing	G06F 1/189
				174/38
6,442,030	B1 *	8/2002	Mammoser	G06F 1/1601
				248/917
6,469,899	B2 *	10/2002	Hastings	H05K 7/1489
				248/65
6,482,046	B1 *	11/2002	Salinas	H01R 13/506
				439/677
6,523,918	B1 *	2/2003	Baiza	H05K 7/1489
				211/26
6,639,792	B1 *	10/2003	Chang	G06F 1/184
				174/541
6,669,151	B2 *	12/2003	Mascadri	F16L 3/233
				248/65
6,702,237	B2 *	3/2004	Rubenstein	F16L 3/003
				248/49
6,801,428	B2 *	10/2004	Smith	G06F 1/181
				165/80.3

(73) Assignee: **QUANTA COMPUTER INC.**, Taoyuan (TW)

(21) Appl. No.: **14/822,002**

(22) Filed: **Aug. 10, 2015**

Related U.S. Patent Documents

Reissue of:

(64) Patent No.: **8,817,464**
Issued: **Aug. 26, 2014**
Appl. No.: **13/346,750**
Filed: **Jan. 10, 2012**

(Continued)

Primary Examiner — Glenn K Dawson

(74) *Attorney, Agent, or Firm* — Nixon Peabody LLP

(30) **Foreign Application Priority Data**

Aug. 11, 2011 (TW) 100214923 U

(51) **Int. Cl.**
H05K 7/14 (2006.01)
H05K 7/20 (2006.01)

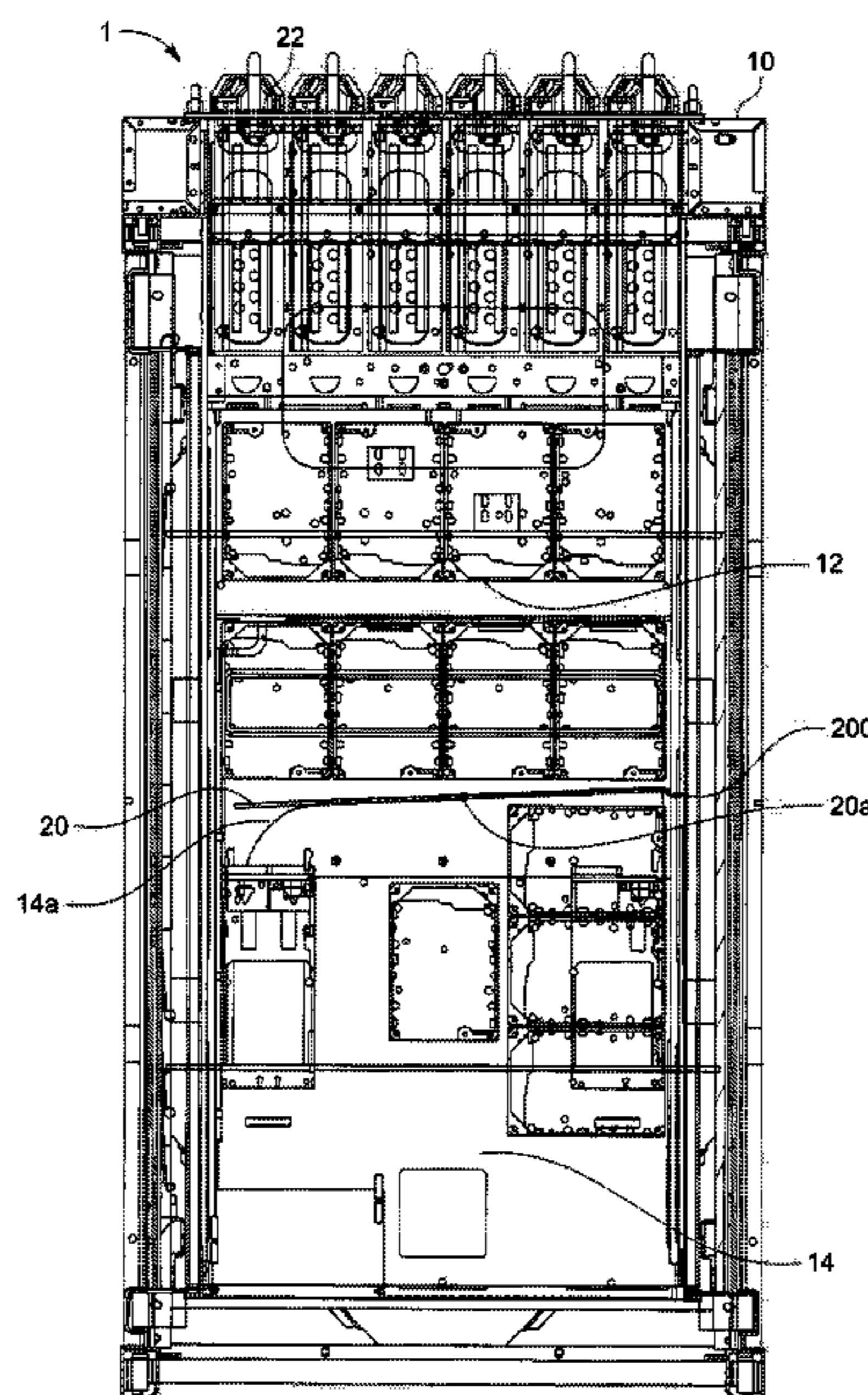
(52) **U.S. Cl.**
CPC **H05K 7/1492** (2013.01); **H05K 7/20136** (2013.01); **H05K 7/20718** (2013.01)

(58) **Field of Classification Search**
None
See application file for complete search history.

(57) **ABSTRACT**

A server system includes a rack, a power supply module, a switch, and a plurality of servers. The rack can be divided into a plurality of rack units. The rack units are parallel to each other and vertically arranged. The power supply module and the switch are disposed in close proximity to each other in at least one of the rack units. The power supply is adjacent to the rear side of the rack. The switch is adjacent to the front side of the rack. Each of the servers is disposed in one of the other rack units and electrically connected to the power supply module and the switch.

13 Claims, 5 Drawing Sheets



(Amended)

US RE48,135 E

Page 2

(56)

References Cited

U.S. PATENT DOCUMENTS

6,826,036	B2 *	11/2004	Pereira	G06F 1/189	361/624
6,856,505	B1 *	2/2005	Venegas	G06F 1/1601	361/679.05
6,867,701	B2 *	3/2005	Lawrence	H05K 7/20836	340/3.43
7,012,815	B2 *	3/2006	Garnett	G06F 1/183	361/679.31
7,219,183	B2 *	5/2007	Petty	H04L 49/25	709/236
7,240,225	B2 *	7/2007	Brewer	G06F 1/3203	713/300
7,289,334	B2 *	10/2007	Behrens	G06F 1/18	361/752
7,512,704	B2 *	3/2009	Nelson	G06F 3/023	709/238
7,791,890	B2 *	9/2010	Ishida	H05K 7/1492	211/26
7,855,872	B2 *	12/2010	Rasmussen	G06F 1/189	174/480
8,274,792	B2 *	9/2012	Soffer	G06F 1/18	361/700
8,400,113	B2 *	3/2013	Waring	H02J 3/14	320/137
8,400,765	B2 *	3/2013	Ross	H05K 7/20727	165/104.33
8,674,823	B1 *	3/2014	Contario	H02J 1/10	340/333
9,101,080	B2 *	8/2015	Czamara	H05K 7/1497	
9,338,922	B2 *	5/2016	Mick	H05K 7/1491	
9,468,126	B2 *	10/2016	Pronozuk	H05K 7/1488	
9,578,784	B2 *	2/2017	Stellick	H05K 7/20727	
9,846,467	B2 *	12/2017	Gardner	G06F 1/30	
2002/0080575	A1 *	6/2002	Nam	G06F 1/184	361/679.47
2005/0068716	A1 *	3/2005	Pereira	361/624	
2007/0245165	A1 *	10/2007	Fung	713/320	
2009/0016019	A1 *	1/2009	Bandholz et al.	361/695	
2009/0237876	A1 *	9/2009	Suzuki et al.	361/679.33	
2009/0262501	A1 *	10/2009	Claassen et al.	361/701	
2010/0172078	A1 *	7/2010	Tanaka et al.	361/679.5	
2011/0063778	A1 *	3/2011	Brouillard	361/678	
2011/0078346	A1 *	3/2011	O'Connor	H04L 49/351	710/63
2011/0222241	A1 *	9/2011	Shearman et al.	361/692	
2011/0296162	A1 *	12/2011	Pakenham	G06F 1/3203	713/100
2012/0069514	A1 *	3/2012	Ross	361/679.33	
2014/0277819	A1 *	9/2014	Mick	G05D 23/1917	700/300
2016/0378162	A1 *	12/2016	Calio	G06F 1/3209	700/293

* cited by examiner

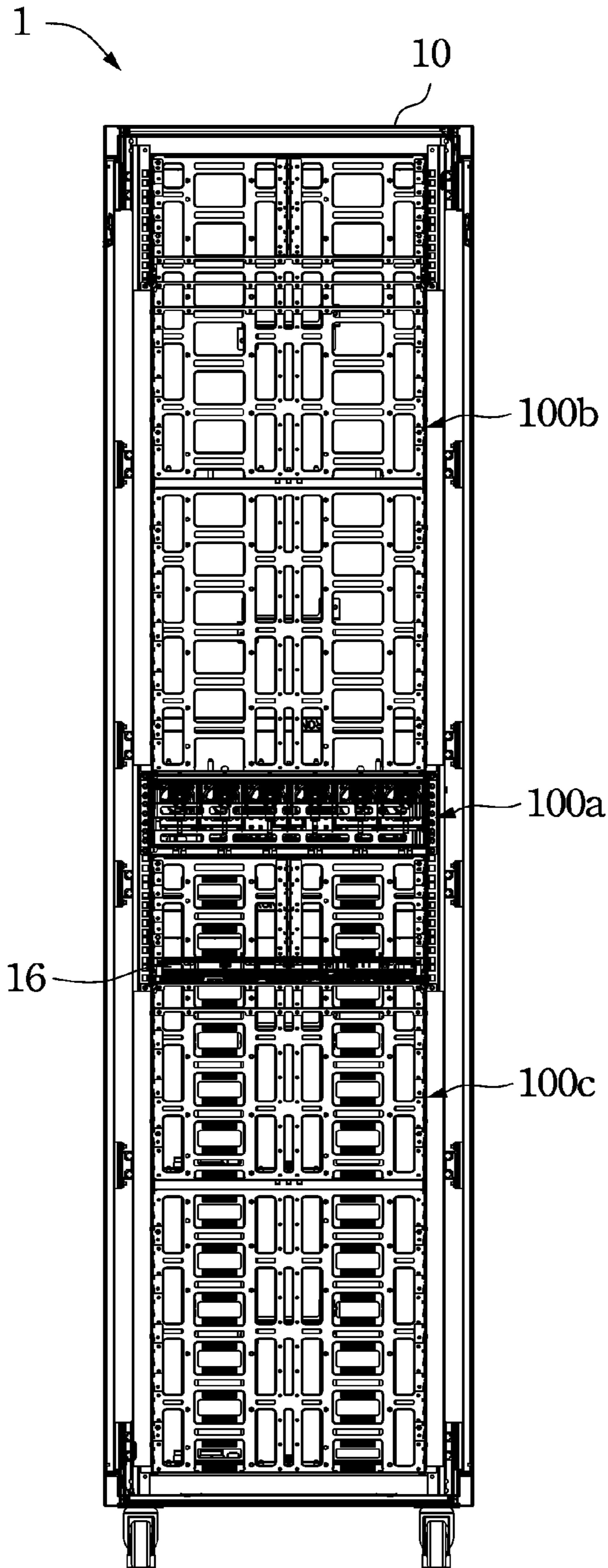


Fig. 1A

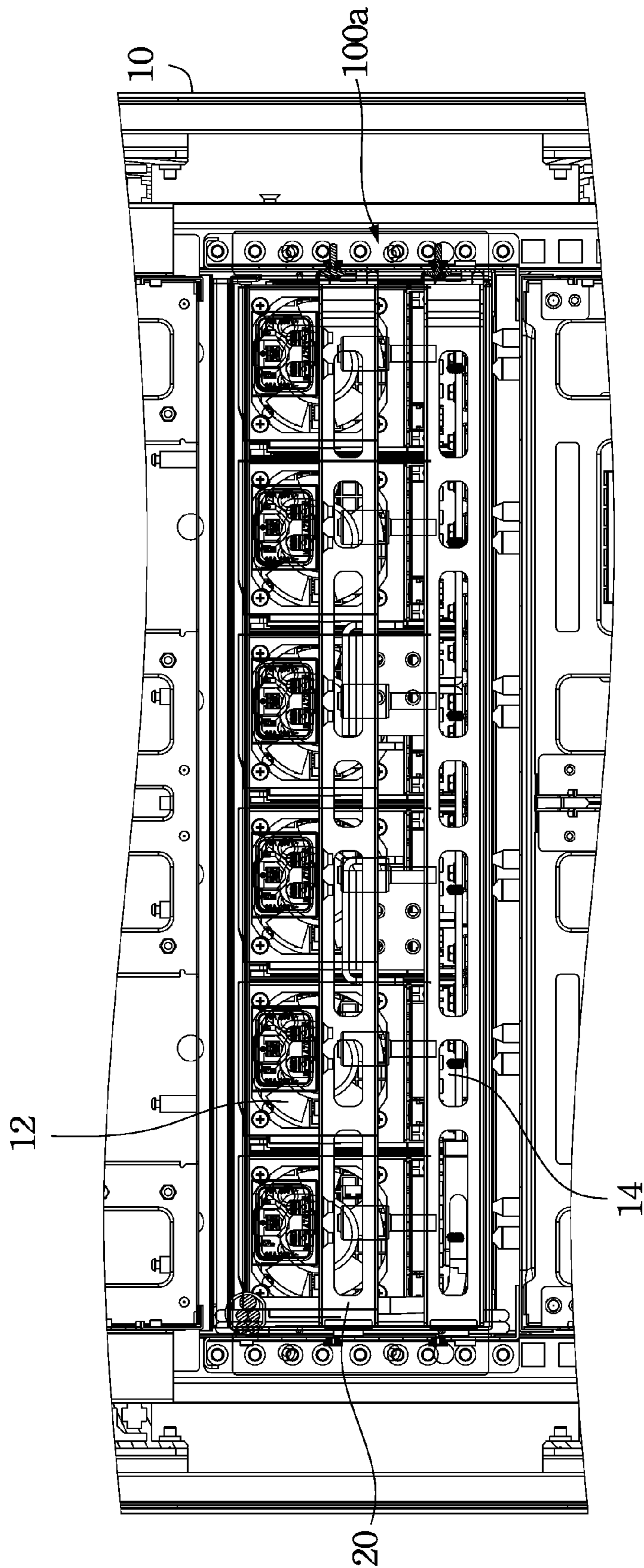


Fig. 1B

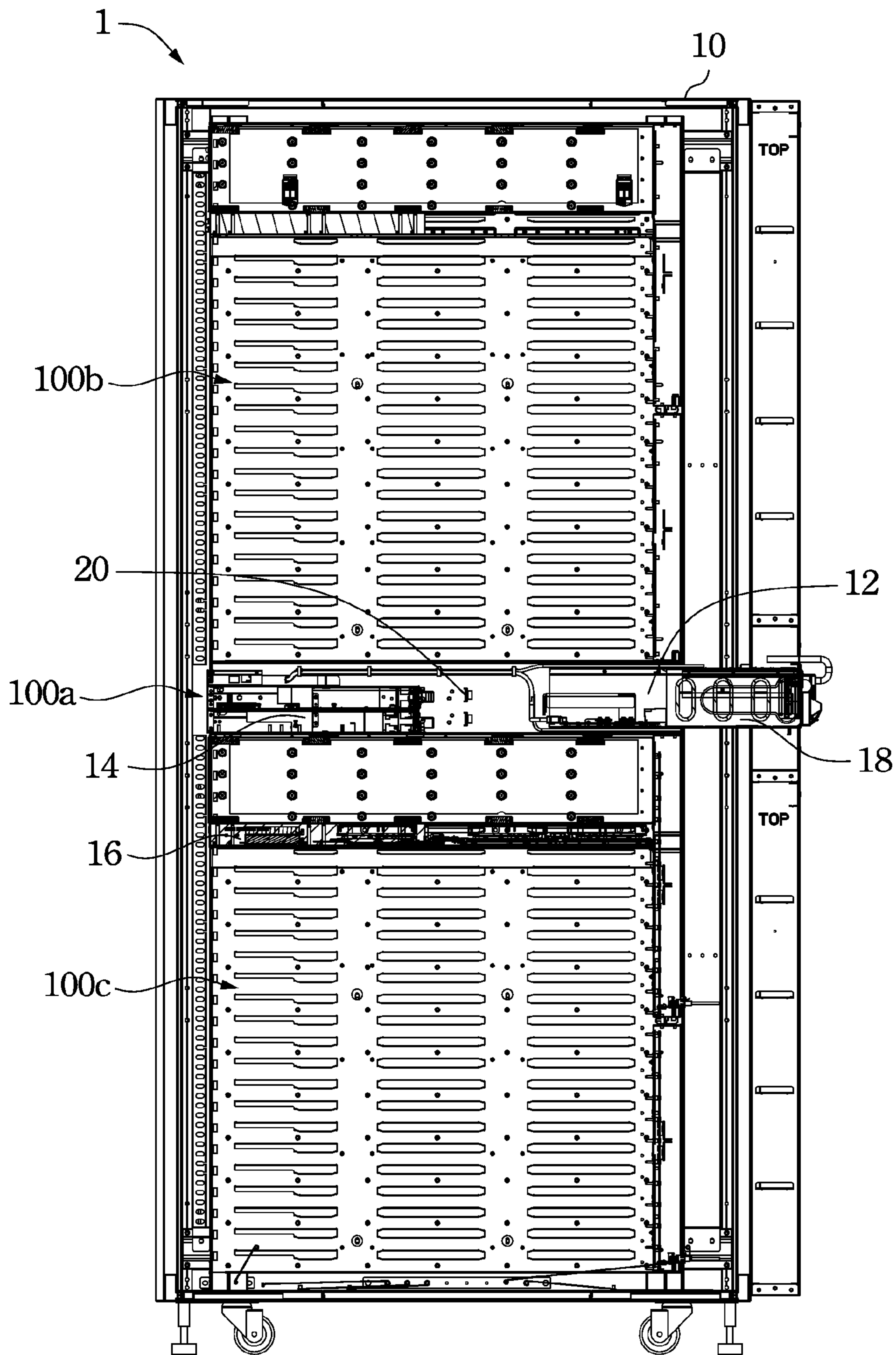


Fig. 2A

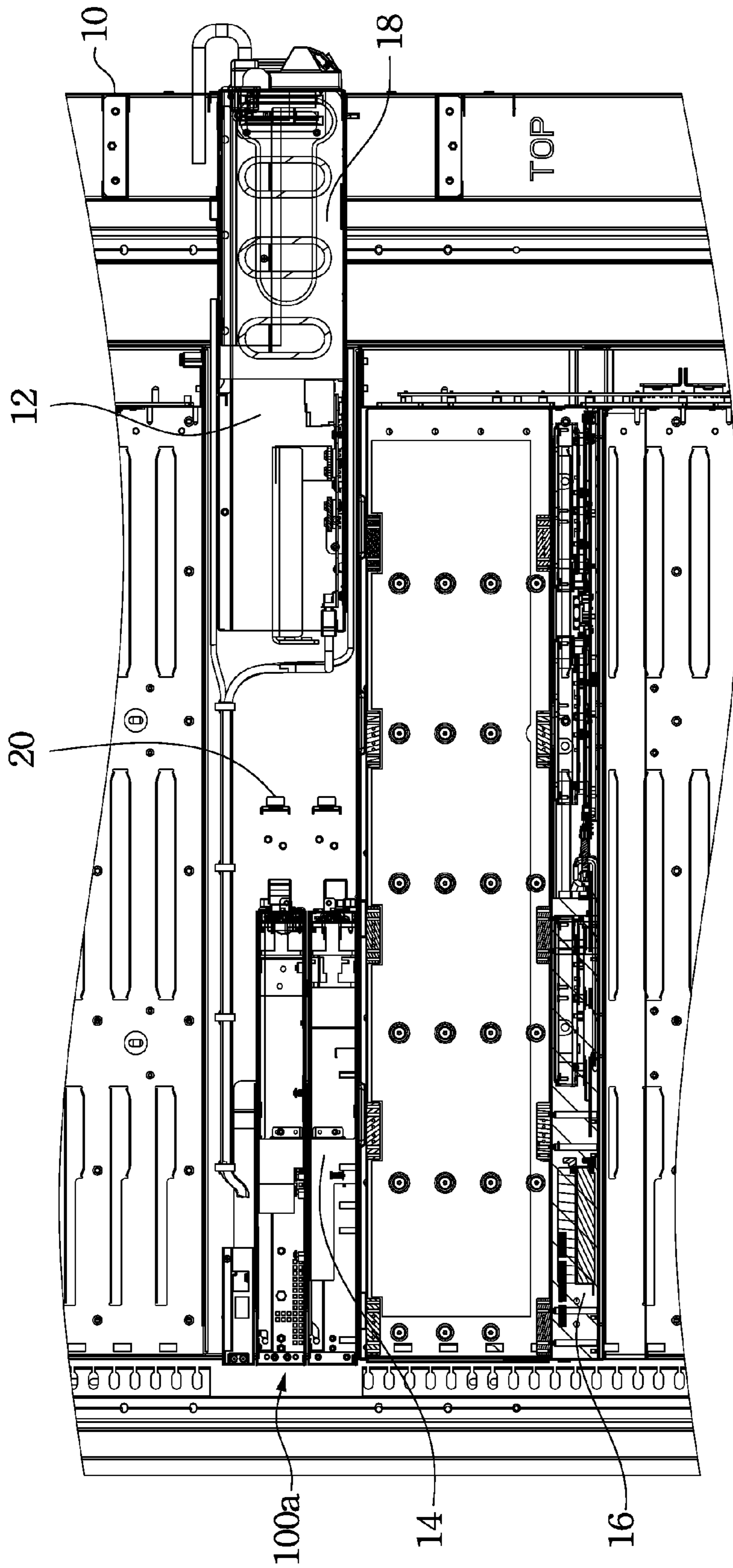


Fig. 2B

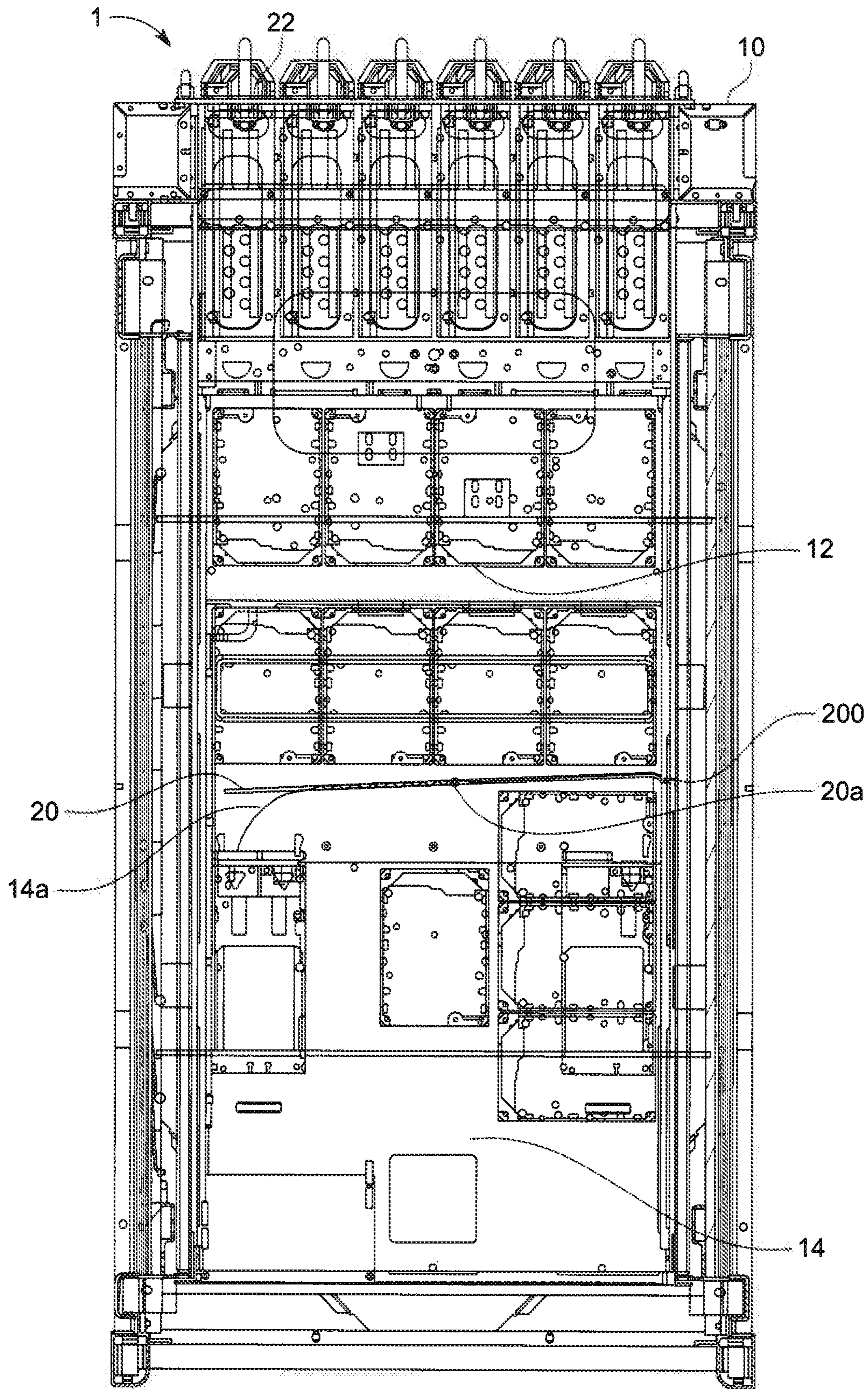


FIG. 3 (Amended)

1

SERVER SYSTEM

Matter enclosed in heavy brackets [] appears in the original patent but forms no part of this reissue specification; matter printed in italics indicates the additions made by reissue; a claim printed with strikethrough indicates that the claim was canceled, disclaimed, or held invalid by a prior post-patent action or proceeding.

RELATED APPLICATIONS

This application claims priority to Taiwan Application Serial Number 100214923, filed Aug. 11, 2011, which is herein incorporated by reference.

BACKGROUND

1. Field of Invention

The present invention relates to a server system, and more particularly, to a server system that is able to increase the denseness of servers therein.

2. Description of Related Art

Motherboards in a rackmount server are slidably disposed in a rack. Based on this concept, a whole server system can be regarded as a large rack, and a plurality of drawers for horizontally carrying servers can be installed in the rack. Motherboards are disposed on the drawers to be connected to the servers. In order to transmit signals, a plurality of connectors are disposed on each motherboard to enable series connections with other motherboards, so as to improve the multitasking ability of the server system and achieve high computing performance.

A rack unit is a unit of server defined by the EIA (Electronic Industries Alliance). One rack unit is commonly referred to as "1U," two rack units as "2U," and so on. The height of one rack unit is 1.75 inches, and the width of one rack unit is 19 inches. The height of two rack units is 3.5 inches, but the width of two rack units is still 19 inches. Accordingly, no matter how the internal components in a server system of N rack units are arranged, they must fall within the limitation of the height of the server system.

Generally, a server includes a host, a power supply module, and transmission lines. The power supply module is used to provide necessary electricity to the host, and the transmission lines are used to electrically connect components of the host. Each of the motherboards further has a hard disk carrying rack for carrying a plurality of hard disks.

SUMMARY

The invention provides an improved server system. The server system of the invention integrates power supplies, each of which is disposed at the back of one server, into a power supply module, and installs the power supply module and a switch respectively at a front side and a rear side of the same rack unit in a rack, so as to reduce the amount of space used in the rack and thus allow for the installation of more servers. Moreover, in order to reduce the quantity and total length of cables used in the server system, the invention further places the power supply module and the switch at a center location of the rack and additionally designs a line bracket for attachment of a transmission line of the switch. Therefore, the invention can overcome both space limitations and difficulties associated with cable management, so as to obtain higher denseness of servers using the same rack structure.

2

According to an embodiment of the invention, a server system includes a rack, a power supply module, a switch, and a plurality of servers. The rack can be divided into a plurality of rack units that are parallel to each other and vertically arranged. The power supply module and the switch are disposed in close proximity to each other in at least one rack unit. The power supply module is adjacent to the rear side of the rack. The switch is adjacent to the front side of the rack. Each of the servers is disposed in one of the other rack units and electrically connected to the power supply module and the switch.

In an embodiment of the invention, the at least one rack unit in which the power supply module and the switch are disposed is near the center of the rack.

In an embodiment of the invention, the server system further includes a power distribution unit. The power distribution unit is detachably connected to the power supply module and the switch for providing external electricity to the power supply module and the switch.

In an embodiment of the invention, the switch is detachably connected to the power distribution unit by a power line. The server system further includes a line bracket. The line bracket is disposed in the rack and located at the back of the switch. The power line is attached to the line bracket.

In an embodiment of the invention, an end of the line bracket is pivotally connected to the inner wall of the rack. The line bracket is pulled to rotate by the power line when the switch is taken out from the front side of the rack.

In an embodiment of the invention, the server system further includes a cable tie for attaching the power line to the line bracket.

In an embodiment of the invention, the server system further includes an uninterruptible power supply. The uninterruptible power supply is electrically connected to the power distribution unit and the power supply module.

In an embodiment of the invention, the server system further includes a plurality of fan modules. The fan modules are disposed at the rear side of the rack for dissipating heat generated by the power supply module, the switch, and the server units.

In an embodiment of the invention, the power supply module is electrically connected to the server units utilizing data bus connections.

It is to be understood that both the foregoing general description and the following detailed description are by examples, and are intended to provide further explanation of the invention as claimed.

BRIEF DESCRIPTION OF THE DRAWINGS

The invention can be more fully understood by reading the following detailed description of the embodiment, with reference made to the accompanying drawings as follows:

FIG. 1A is a front view of a server system according to an embodiment of the invention;

FIG. 1B is a partial front view of the server system in FIG. 1A;

FIG. 2A is a side view of the server system in FIG. 1A;

FIG. 2B is a partial side view of the server system in FIG. 2A; and

FIG. 3 is a sectional view near the center of the server system in FIG. 1A.

DETAILED DESCRIPTION

Reference will now be made in detail to the present embodiments of the invention, examples of which are illus-

3

trated in the accompanying drawings. Wherever possible, the same reference numbers are used in the drawings and the description to refer to the same or like parts.

An improved server system is provided. Specifically, a server system of the invention integrates power supplies, each of which is disposed at the back of one server, into a power supply module, and installs the power supply module and a switch respectively at a front side and a rear side of the same rack unit in a rack, so as to reduce the amount of space used in the rack and thus allow for the installation of more servers. Moreover, in order to reduce the quantity and total length of cables used in the server system, the invention further places the power supply module and the switch at a center location of the rack and additionally designs a line bracket for attachment of a transmission line of the switch. Therefore, the invention can overcome problems associated with both space limitations and cable management, so as to obtain higher denseness of servers using the same rack structure.

FIG. 1A is a front view of a server system 1 according to an embodiment of the invention. FIG. 1B is a partial front view of the server system 1 in FIG. 1A.

As shown in FIG. 1A and FIG. 1B, the server system 1 according to the embodiment of the invention includes a rack 10, a power supply module 12, a switch 14, and a plurality of servers 16. The components disposed in the server system 1 of the embodiment will be described in detail below.

As shown in FIG. 1A and FIG. 1B, the rack 10 of the server system 1 can be divided into a plurality of rack units. The rack units in the rack 10 are parallel to each other and vertically arranged. The rack units in the rack 10 can be divided into central rack units 100a, upper rack units 100b, and lower rack units 100c. The power supply module 12 and the switch 14 can be disposed in close proximity to each other in at least one central rack unit 100a, at least one upper rack unit 100b, or at least one lower unit 100c in the rack 10. The power supply module 12 of the server system 1 is disposed adjacent to the rear side of the rack 10. The switch 14 of the server system 1 is disposed adjacent to the front side of the rack 10. Each of the servers 16 in the server system 1 is disposed in one of the other rack units, and is electrically connected to the power supply module 12 and the switch 14. Therefore, each of the servers 16 of the server system 1 can exchange data with the switch 14 and can be uniformly powered by the power supply module 12.

In the embodiment of the invention, the power supply module 12 and the switch 14 of the server system 1 are disposed in close proximity to each other in three rack units that are near the center of the rack 10, but the invention is not limited in this regard.

In the embodiment of the invention, in order to reduce the quantity and total length of cables used in the server system 1, the power supply module 12 and the switch 14 of the server system 1 are disposed in close proximity to each other in at least one central rack unit 100a that is near the center of the rack 10.

FIG. 2A is a side view of the server system 1 in FIG. 1A. FIG. 2B is a partial side view of the server system 1 in FIG. 2A.

As shown in FIG. 2A and FIG. 2B, the server system 1 further includes a power distribution unit 18. The power distribution unit 18 of the server system 1 is disposed in the rack 10 and is detachably connected to the power supply module 12 and the switch 14. Through such a connection,

4

the power distribution unit 18 of the server system 1 provides external electricity to the power supply module 12 and the switch 14.

FIG. 3 is a sectional view near the center of the server system 1 in FIG. 1A.

As shown in FIG. 1A to FIG. 3, the switch 14 of the server system 1 is detachably connected to the power distribution unit 18 by a power line 14a. The server system 1 further includes a line bracket 20. The line bracket 20 of the server system 1 is disposed in the rack 10 and located at the back of the switch 14. The power line 14a is attached to the line bracket 20 of the server system 1. Furthermore, an end of the line bracket 20 of the server system 1 is pivotally connected to the inner wall of the rack 10 via an axis 200. Through such a configuration, the line bracket is pulled by the power line 14a to rotate when the switch 14 is taken out from the front side of the rack 10. In other words, because the line bracket 20 of the server system 1 can rotate relative to the inner wall of the rack 10, the power line 14a of the switch 14 will not be damaged or severed by the pulling force between the switch 14 and the line bracket 20 when the switch 14 is taken out from the front side of the rack 10.

In the embodiment of the invention, the server system 1 further includes at least one cable tie 20a. The cable tie 20a of the server system 1 can be used to attach the power line 14a of the switch 14 to the line bracket 20, so that the power line 14a of the switch 14 is disposed in the rack 10 in a more organized manner. Hence, the power line 14a of the switch 14 will not hook onto components in the server system 1 and cause damage when the switch 14 is taken out from the front side of the rack 10.

In an embodiment of the invention, the server system 1 can include an uninterruptible power supply. The uninterruptible power supply of the server system 1 can be electrically connected to the power distribution unit 18 and the power supply module 12. The uninterruptible power supply of the server system 1 can be disposed near the power supply module 12 to continuously power the power supply module 12, but the invention is not limited in this regard.

As shown in FIG. 3, the server system 1 further includes a plurality of fan modules 22. The fan modules 22 of the server system 1 are disposed at the rear side of the rack 10 for dissipating heat generated by the power supply module 12, the switch 14, and the server units 16.

In one embodiment of the invention, the power supply module 12 of the server system 1 is electrically connected to the server units 16 utilizing data bus connections. The power supply module 12 of the server system 1 transmits alternating current to the servers 16 over and under the power supply module 12 by bus bars, so as to maintain automatic power balance. However, the type of electrical connections used between the power supply module 12 and the servers 16 is not limited in this regard.

According to the foregoing recitations of the embodiments of the invention, it can be seen that the server system of the invention integrates power supplies, each of which is disposed at the back of one server, into a power supply module, and installs the power supply module and a switch respectively at a front side and a rear side of the same rack unit in a rack, so as to reduce the amount of space used in the rack and thus allow for the installation of more servers. Moreover, in order to reduce the quantity and total length of cables used in the server system, the invention further places the power supply module and the switch at a center location of the rack and additionally designs a line bracket for attachment of a transmission line of the switch. Therefore, the invention can overcome both space limitations and

5

difficulties associated with cable management, so as to obtain higher denseness of servers using the same rack structure.

It will be apparent to those skilled in the art that various modifications and variations can be made to the structure of the present invention without departing from the scope or spirit of the invention. In view of the foregoing, it is intended that the present invention cover modifications and variations of this invention provided they fall within the scope of the following claims.

What is claimed is:

1. A server system comprising:

a rack divided into a plurality of rack units that are parallel to each other and vertically arranged;

a power supply module and a switch disposed in close proximity to each other in at least one of the rack units, wherein the power supply module is adjacent to a rear side of the rack, and the switch is adjacent to a front side of the rack;

[a plurality of servers, each of the servers being disposed in one of the other rack units and electrically connected to the power supply module and the switch;]

a power distribution unit disposed in the rack, wherein the switch is detachably connected to the power distribution [writ] unit by a power line; and

a line bracket disposed in the rack and located at a back of the switch, wherein the power line is attached to the line bracket;

wherein an end of the line bracket is pivotally connected to an inner wall of the rack, and the line bracket is pulled to rotate by the power line when the switch is taken out from the front side of the rack.

2. The server system of claim 1, wherein the at least one rack unit in which the power supply module and the switch are disposed is near the center of the rack.

3. The server system of claim 1, wherein the power distribution unit is detachably connected to the power supply module and the switch for providing external electricity to the power supply module and the switch.

[4. The server system of claim 1, wherein an end of the line bracket is pivotally connected to the inner wall of the rack, and the line bracket is pulled to rotate by the power line when the switch is taken out from the front side of the rack.]

5. The server system of claim 1, further comprising a cable tie for attaching the power line to the line bracket.

6. The server system of claim 1, further comprising a plurality of fan modules disposed at the rear side of the rack

6

for dissipating heat generated by the power supply module[,] and the switch[, and the server units].

7. The server system of claim 1, wherein the power supply module is electrically connected to the [server] rack units utilizing data bus connections.

8. A server system comprising:

a rack divided into a plurality of rack units that are parallel to each other and vertically arranged;

a power supply module and a switch disposed in close proximity to each other in at least one of the rack units, wherein the power supply module is adjacent to a rear side of the rack, and the switch is adjacent to a front side of the rack;

a plurality of servers, each of the servers being disposed in one of the other rack units and electrically connected to the power supply module and the switch;

a power distribution unit disposed in the rack, wherein the switch is detachably connected to the power distribution unit by a power line; and

a line bracket located in the rack and at a back of the switch, wherein the power line is attached to the line bracket;

wherein an end of the line bracket is pivotally connected to an inner wall of the rack and the line bracket is pulled to rotate by the power line when the switch is taken out from the front side of the rack.

9. The server system of claim 8, wherein the at least one rack unit in which the power supply module and the switch are disposed is near the center of the rack.

10. The server system of claim 8, wherein the power distribution unit is detachably connected to the power supply module and the switch for providing external electricity to the power supply module and the switch.

11. The server system of claim 10, further comprising an uninterruptible power supply to provide continuous power to at least one of the power supply module and the power distribution unit.

12. The server system of claim 8, further comprising a cable tie for attaching the power line to the line bracket.

13. The server system of claim 8, further comprising a plurality of fan modules disposed at the rear side of the rack for dissipating heat generated by the power supply module, the switch, and the servers.

14. The server system of claim 8, wherein the power supply module is electrically connected to the rack units utilizing data bus connections.

* * * * *