



US00RE48104E

(19) **United States**  
(12) **Reissued Patent**  
**Jongen et al.**

(10) **Patent Number: US RE48,104 E**  
(45) **Date of Reissued Patent: Jul. 21, 2020**

(54) **UTENSIL DISPENSER**

(58) **Field of Classification Search**

CPC ..... A47F 1/10; A47F 1/08; A47F 2001/103  
(Continued)

(71) Applicant: **GPCP IP Holdings LLC**, Atlanta, GA  
(US)

(56) **References Cited**

(72) Inventors: **Todd Jongen**, Rosemont, IL (US);  
**Jeffrey Bobroff**, Rosemont, IL (US);  
**Michael Prince**, Chicago, IL (US); **Jeff Mathison**,  
Chicago, IL (US); **Christian Kuluajian**, Chicago, IL (US); **Mark Eyman**,  
Chicago, IL (US)

U.S. PATENT DOCUMENTS

398,264 A \* 2/1889 Kisner ..... A47G 21/06  
30/150  
592,105 A 10/1897 Barnes  
(Continued)

(73) Assignee: **GPCP IP Holdings LLC**, Atlanta, GA  
(US)

FOREIGN PATENT DOCUMENTS

CA 3021819 A1 11/2018  
CN 2865478 Y 2/2007  
(Continued)

(21) Appl. No.: **15/615,887**

OTHER PUBLICATIONS

(22) Filed: **Jun. 7, 2017**

Written Opinion for International Application No. PCT/  
US20131022455, mailed by the International Searching Authority  
dated May 30, 2013.

**Related U.S. Patent Documents**

(Continued)

Reissue of:

*Primary Examiner* — Russell D Stormer

(64) Patent No.: **9,049,948**  
Issued: **Jun. 9, 2015**  
Appl. No.: **13/739,820**  
Filed: **Jan. 11, 2013**

(57) **ABSTRACT**

U.S. Applications:

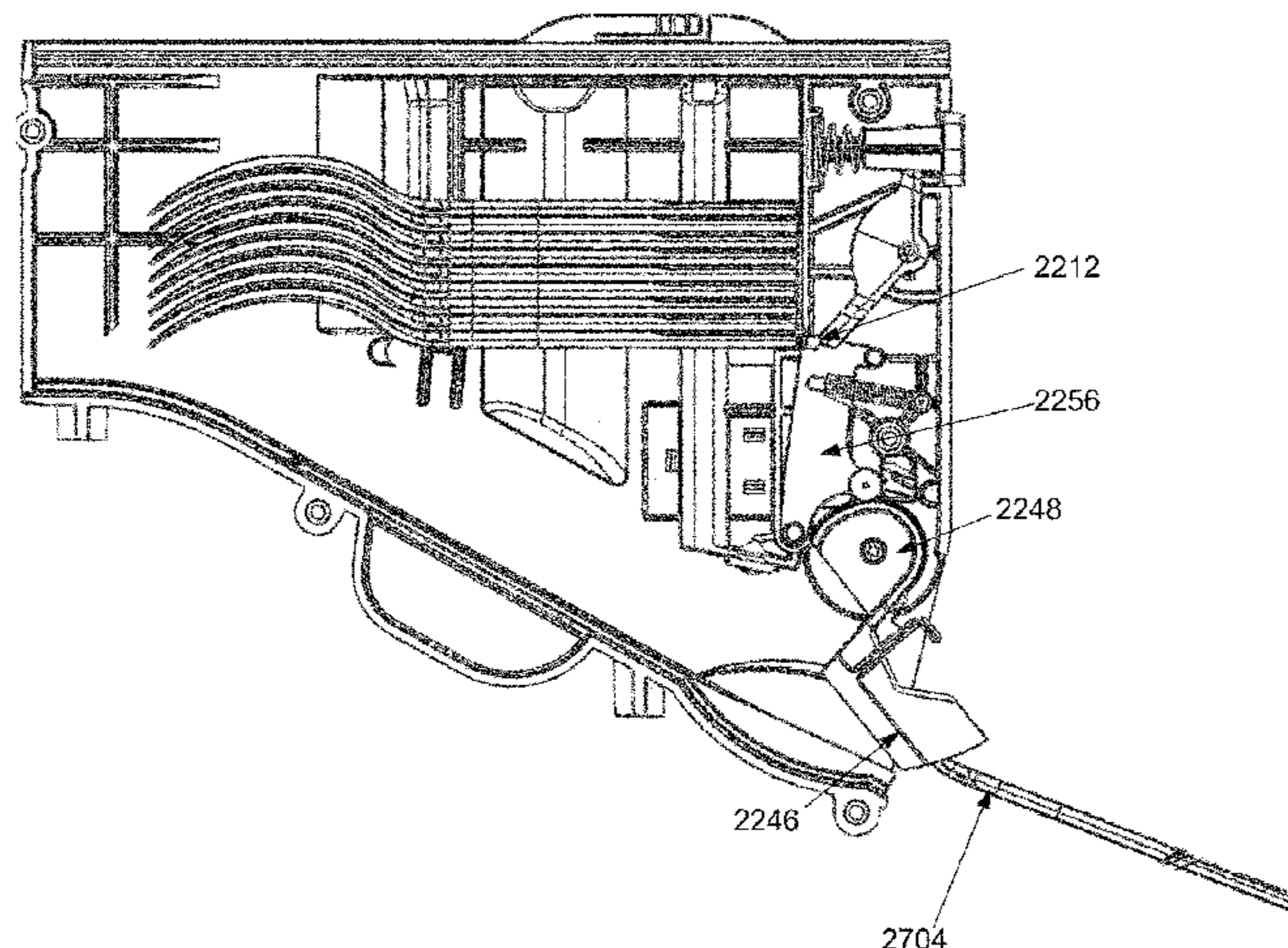
A utensil dispenser including a reservoir that stores utensils and front and rear pedestals in contact with a next utensil. The pedestals contain a plurality of utensils within the reservoir. A gravity feed ramp moves the next utensil to an access port of the utensil dispenser. The utensil dispenser includes an actuator operably connected to a drive pin or other drive mechanism. The actuator is configured to halt a dispensing utensil at a ready position based upon contact between the dispensing utensil and the actuator. In the ready position, a handle portion of the dispensing utensil is accessible via the access port. The drive mechanism is configured to contact the next utensil. The actuator is configured to move the drive mechanism to move the next utensil to clear the front pedestal to release the next utensil from the

(60) Provisional application No. 61/591,611, filed on Jan. 27, 2012.

(51) **Int. Cl.**  
*A47F 1/08* (2006.01)  
*A47G 21/00* (2006.01)  
*A47F 1/10* (2006.01)

(52) **U.S. Cl.**  
CPC ..... *A47F 1/10* (2013.01); *A47F 1/08*  
(2013.01); *A47F 2001/103* (2013.01)

(Continued)



reservoir onto the gravity feed ramp when the dispensing utensil is dispensed.

**37 Claims, 53 Drawing Sheets**

(58) **Field of Classification Search**

USPC ..... 30/150; 221/22, 23, 191, 194, 195, 197, 221/198, 293

See application file for complete search history.

(56) **References Cited**

U.S. PATENT DOCUMENTS

716,058 A 12/1902 Laing et al.  
 925,485 A 6/1909 Lafler  
 999,837 A 8/1911 Morris et al.  
 1,146,447 A 7/1915 Prommel  
 1,182,793 A 5/1916 Richardson  
 1,259,927 A 3/1918 Swift  
 1,355,583 A 10/1920 Zeidler et al.  
 1,482,071 A 1/1924 Duff et al.  
 1,504,098 A 8/1924 Cathey  
 1,546,077 A 7/1925 Hunter et al.  
 1,547,151 A 7/1925 Watling  
 1,577,302 A 3/1926 Schultz  
 1,610,001 A 12/1926 Foster  
 1,675,510 A 7/1928 Nolan  
 1,767,634 A 6/1930 Weiss  
 1,886,378 A 11/1932 George  
 2,053,828 A 9/1936 Harper  
 2,078,984 A 5/1937 Williamson  
 2,110,189 A 3/1938 Zeidler, Sr.  
 2,141,684 A \* 12/1938 Diemer ..... 221/239  
 2,149,098 A \* 2/1939 Phinney ..... A47F 1/10  
 221/293  
 2,149,099 A 2/1939 Phinney et al.  
 2,188,573 A 1/1940 Longo  
 2,207,528 A 7/1940 Witt  
 2,239,196 A 4/1941 Lunvik  
 2,268,596 A 1/1942 Jerum  
 2,268,873 A 1/1942 Hopkins et al.  
 2,340,561 A 2/1944 Renfro  
 2,421,782 A 6/1947 Gibbs et al.  
 2,427,321 A 9/1947 Casey  
 2,472,051 A 5/1949 Testi  
 2,560,327 A 7/1951 Bergman  
 2,571,668 A 10/1951 Booth et al.  
 2,577,344 A 12/1951 Masure  
 2,635,025 A 4/1953 Ziska  
 2,646,874 A 7/1953 Testi  
 2,671,555 A 3/1954 Shnitzler  
 2,692,691 A 10/1954 Harriss et al.  
 2,868,344 A 1/1959 Shields  
 2,877,926 A 3/1959 Abbe  
 2,880,907 A 4/1959 Mainers  
 2,887,247 A 5/1959 Williams, Jr.  
 2,889,076 A 6/1959 Van Schie  
 2,911,127 A 11/1959 Driss et al.  
 2,924,357 A 2/1960 Kingsley et al.  
 2,946,431 A 7/1960 Nissen  
 2,954,948 A 10/1960 Johnson  
 2,965,262 A 12/1960 Du Bois  
 3,028,048 A 4/1962 Klammer  
 3,054,528 A 9/1962 Loomis  
 3,095,114 A 6/1963 Tobias  
 3,114,475 A 12/1963 Etes  
 3,132,765 A 5/1964 Florendo  
 3,146,908 A 9/1964 Perri et al.  
 3,163,327 A 12/1964 Maxwell  
 3,191,802 A 6/1965 Lasting  
 3,248,156 A 4/1966 Repko  
 3,263,860 A 8/1966 Haas  
 3,300,087 A 1/1967 Kuypers  
 3,313,452 A 4/1967 Katz

3,371,821 A 3/1968 Abood, Jr. et al.  
 3,428,215 A 2/1969 Wells  
 3,472,421 A 10/1969 Bailer  
 3,558,006 A 1/1971 Redmond et al.  
 3,587,922 A 6/1971 Oriti  
 3,680,736 A 8/1972 Viessmann  
 3,747,803 A 7/1973 Zoepf et al.  
 3,786,959 A 1/1974 Greb et al.  
 4,134,519 A 1/1979 Barnett et al.  
 4,271,978 A 6/1981 Cottrell  
 4,308,974 A 1/1982 Jones  
 4,489,854 A 12/1984 Wenkman  
 4,530,445 A 7/1985 Decker  
 4,624,616 A 11/1986 Freese  
 4,896,792 A 1/1990 Marchand  
 5,127,546 A 7/1992 Chen  
 5,131,562 A 7/1992 Brown  
 5,131,565 A 7/1992 Lilly  
 5,191,997 A 3/1993 Squitieri  
 5,246,138 A 9/1993 Blevins, Jr.  
 5,265,760 A 11/1993 Harris et al.  
 5,469,688 A 11/1995 Dunbar et al.  
 5,509,522 A 4/1996 Laidlaw  
 5,586,685 A 12/1996 Dorner et al.  
 5,899,356 A 5/1999 Huisman  
 5,921,408 A 7/1999 Groenewold et al.  
 5,961,021 A 10/1999 Koike et al.  
 6,023,908 A 2/2000 Vetsch  
 6,023,913 A 2/2000 Gray et al.  
 6,202,891 B1 3/2001 Mark  
 6,250,498 B1 6/2001 Lovejoy  
 6,336,568 B1 1/2002 Tucker et al.  
 D461,663 S 8/2002 Tucker et al.  
 D477,941 S 8/2003 Tucker et al.  
 6,626,633 B2 9/2003 Jendzurski et al.  
 6,651,841 B2 11/2003 Tsuchida  
 6,763,972 B2 7/2004 Graupner  
 6,786,357 B2 9/2004 Renard  
 6,786,359 B1 9/2004 Schroeder  
 6,832,694 B2 \* 12/2004 Goeking et al. .... 221/195  
 6,837,028 B1 1/2005 Miano et al.  
 6,945,427 B2 9/2005 Hieb  
 6,976,348 B1 12/2005 Miano et al.  
 7,076,932 B2 7/2006 Rubin  
 7,210,279 B1 5/2007 Ahmed et al.  
 7,322,172 B2 1/2008 Hoffman et al.  
 7,412,808 B2 8/2008 Lavi  
 D584,084 S 1/2009 Tucker  
 7,513,089 B2 4/2009 Rubin  
 7,520,247 B2 4/2009 Rutledge  
 D607,245 S 1/2010 Tucker  
 7,669,732 B2 3/2010 Njaastad  
 7,900,797 B1 3/2011 Witcraft  
 8,070,013 B2 \* 12/2011 Reinsel et al. .... 221/255  
 8,210,364 B2 7/2012 Smith et al.  
 8,272,533 B1 \* 9/2012 D'Amelia et al. .... 221/197  
 8,297,473 B2 \* 10/2012 Smith ..... 221/129  
 8,360,273 B2 \* 1/2013 Reinsel et al. .... 221/131  
 9,049,948 B2 6/2015 Jongen et al.  
 9,113,729 B2 8/2015 Righetti et al.  
 9,700,153 B2 7/2017 Snyder et al.  
 10,051,976 B2 8/2018 Smith  
 2002/0112445 A1 8/2002 Scaduto  
 2003/0146240 A1 8/2003 Kawolics et al.  
 2004/0089670 A1 5/2004 Goeking et al.  
 2005/0035136 A1 2/2005 Dathe et al.  
 2005/0082307 A1 4/2005 Tucker  
 2005/0211722 A1 9/2005 Runnels  
 2007/0108141 A1 5/2007 Smith et al.  
 2007/0131705 A1 6/2007 Behraves et al.  
 2007/0193968 A1 8/2007 Smith et al.  
 2008/0072432 A1 3/2008 Teys et al.  
 2008/0121650 A1 5/2008 Smith  
 2008/0128445 A1 6/2008 Huang et al.  
 2009/0194557 A1 8/2009 Van Deursen  
 2010/0084418 A1 4/2010 Reinsel et al.  
 2010/0147869 A1 6/2010 Iliffe et al.  
 2010/0170915 A1 7/2010 Reinsel et al.  
 2011/0226797 A1 9/2011 Reinsel et al.

(56)

**References Cited**

U.S. PATENT DOCUMENTS

2011/0266300	A1	11/2011	Schwarzli
2012/0080444	A1	4/2012	Smith et al.
2012/0145736	A1	6/2012	Walters et al.
2013/0032609	A1	2/2013	Righetti et al.
2013/0193157	A1	8/2013	Jongen et al.
2014/0117036	A1	5/2014	Smith
2015/0001235	A9	1/2015	Smith
2019/0075940	A1	3/2019	Pierson

FOREIGN PATENT DOCUMENTS

CN	103919421	A	7/2014
CN	103919422	A	7/2014
CN	103960919	A	8/2014
CN	203828595	U	9/2014
CN	103919422	B	7/2015
CN	103960919	B	2/2017
EP	0856272	A3	8/1998
EP	1358827	A3	3/2004
EP	1864596	A3	12/2010
FR	2889507	A1	2/2007
IT	BS20110157	A1	5/2013
JP	2001354214	A	12/2001
KR	100954569	B1	4/2010
TW	M287639	U	2/2006
TW	M293720	U	7/2006
WO	2001005280	A1	1/2001
WO	2001005281	A1	1/2001
WO	2004028309	A1	4/2004
WO	2018006062	A1	1/2018

OTHER PUBLICATIONS

European Search Report for 06009258.2, dated Jul. 24, 2006, five pages, Munich, Germany.  
 European Search Report for EP 08 014 387.8, dated Nov. 11, 2008, four pages, European Patent Office, Munich, Germany.  
 International Search Report and Written Opinion for PCT/US07/83752, dated Mar. 11, 2008, ten pages, European Patent Office, Munich, Germany.  
 International Search Report and Written Opinion for PCT/US2007/083922, dated Nov. 17, 2008, ten pages, European Patent Office, Rijswijk, Netherlands.

International Search Report and Written Opinion for PCT/US2009/059915, dated Feb. 3, 2010, 13 pages, European Patent Office, Munich, Germany.  
 International Search Report and Written Opinion for PCT/US2011/058767 dated Feb. 29, 2012 (20813).  
 International Search Report and Written Opinion for PCT/US2011/064057 dated Feb. 29, 2012 (20814).  
 International Search Report and Written Opinion for PCT/US2011/058329 dated Feb. 29, 2012 (20815).  
 International Search Report and Written Opinion for PCT/US2010/000051, dated Aug. 16, 2010, 6 pages.  
 International Searching Authority, "International Search Report and Written Opinion for PCT/US2014/050166", dated Nov. 20, 2014, 11 pages, Korean Intellectual Property Office, South Korea.  
 International Searching Authority, "International Search Report and Written Opinion for PCT/US2014/051639", dated Dec. 9, 2014, 9 pages, Korean Intellectual Property Office, South Korea.  
 International Searching Authority, "International Search Report and Written Opinion for PCT/US2014/050169", dated Jan. 9, 2015, 11 pages, Korean Intellectual Property Office, South Korea.  
 International Searching Authority, "International Search Report and Written Opinion for PCT/US2017/037233", dated Sep. 5, 2017.  
 International Search Report for International Application No. PCT/US20131022455, mailed by the International Searching Authority dated May 30, 2013.  
 Written Opinion for International Application No. PCT/US2013/022455, mailed by the International Searching Authority dated May 30, 2013.  
 TJ Russell Supply, On-Line Catalog, <http://www-tjrussellcompany.com/foodservice-disposables.html>. Sep. 2, 2011, 3 pages.  
 International Search Report and Written Opinion for Application No. PCT/US2019/045218 dated Oct. 30, 2019; 12 pages.  
 PCT International Search Report on International Application No. PCT/US2013/022455, dated May 30, 2013, (3 pgs.).  
 PCT Written Opinion of the International Searching Authority on International Application No. PCT/US2013/022455, dated May 30, 2013, (5 pgs.).  
 Anthony DAmeliz Dispenser Video #2, <http://www.youtube.com/watch?v=OyrZf7dZdcB>, uploaded to YouTube Oct. 9, 2011.  
 Anthony DAmelia Hands Free Cutlery Dispenser Video, [http://www.youtube.com/watch?v=MmSS\\_227gds](http://www.youtube.com/watch?v=MmSS_227gds), published on Oct. 30, 2012.

\* cited by examiner

100

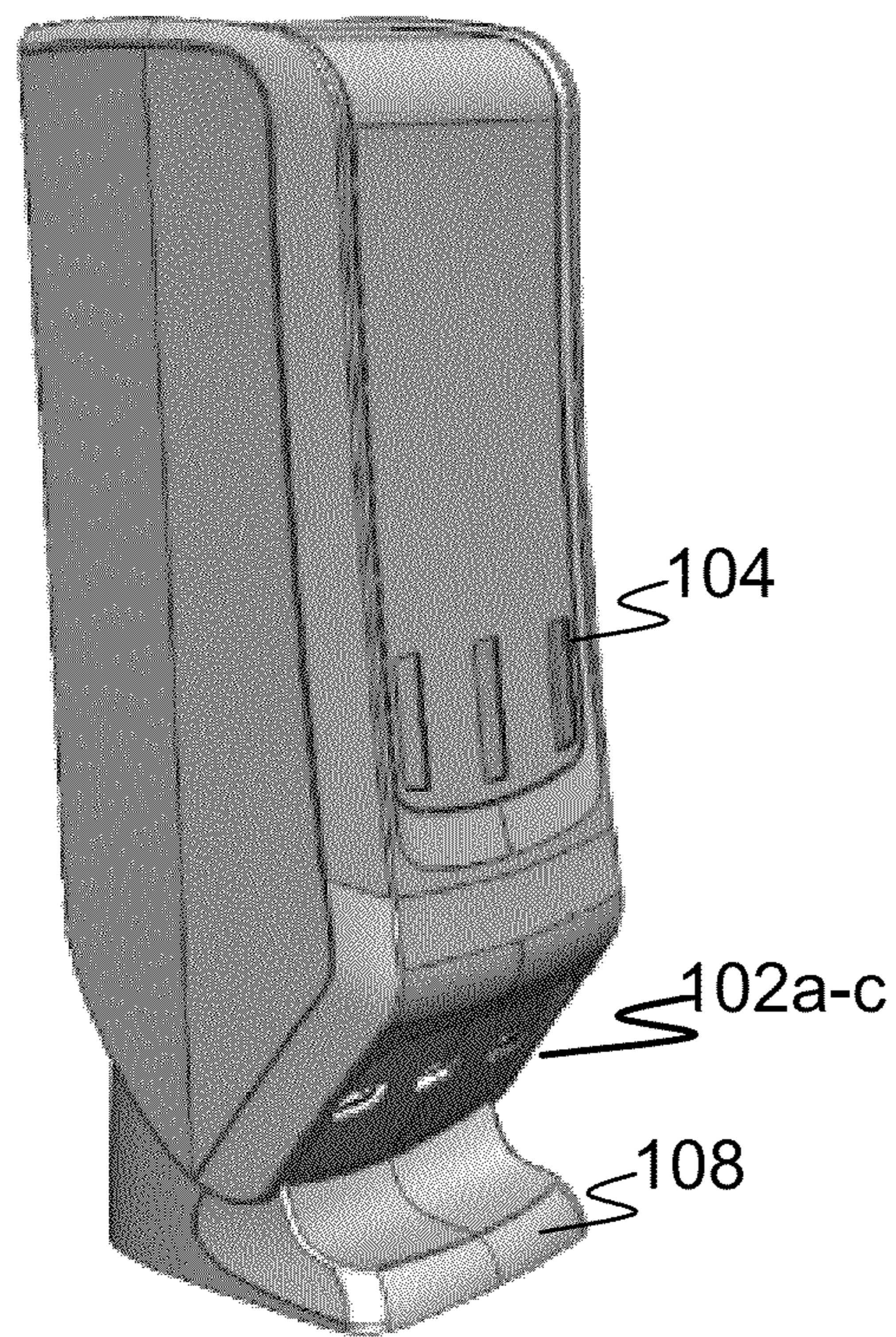


FIG. 1A

100

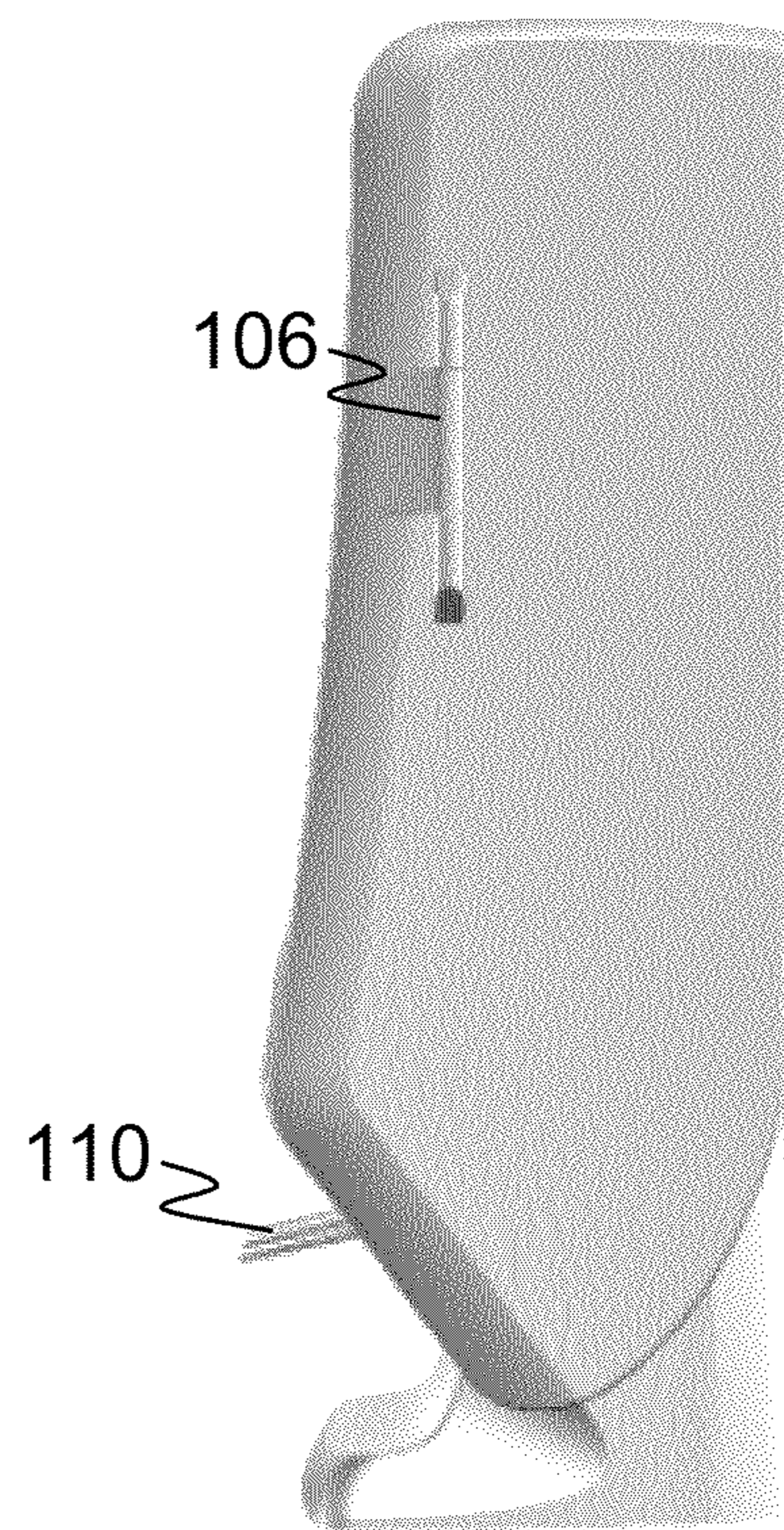


FIG. 1B

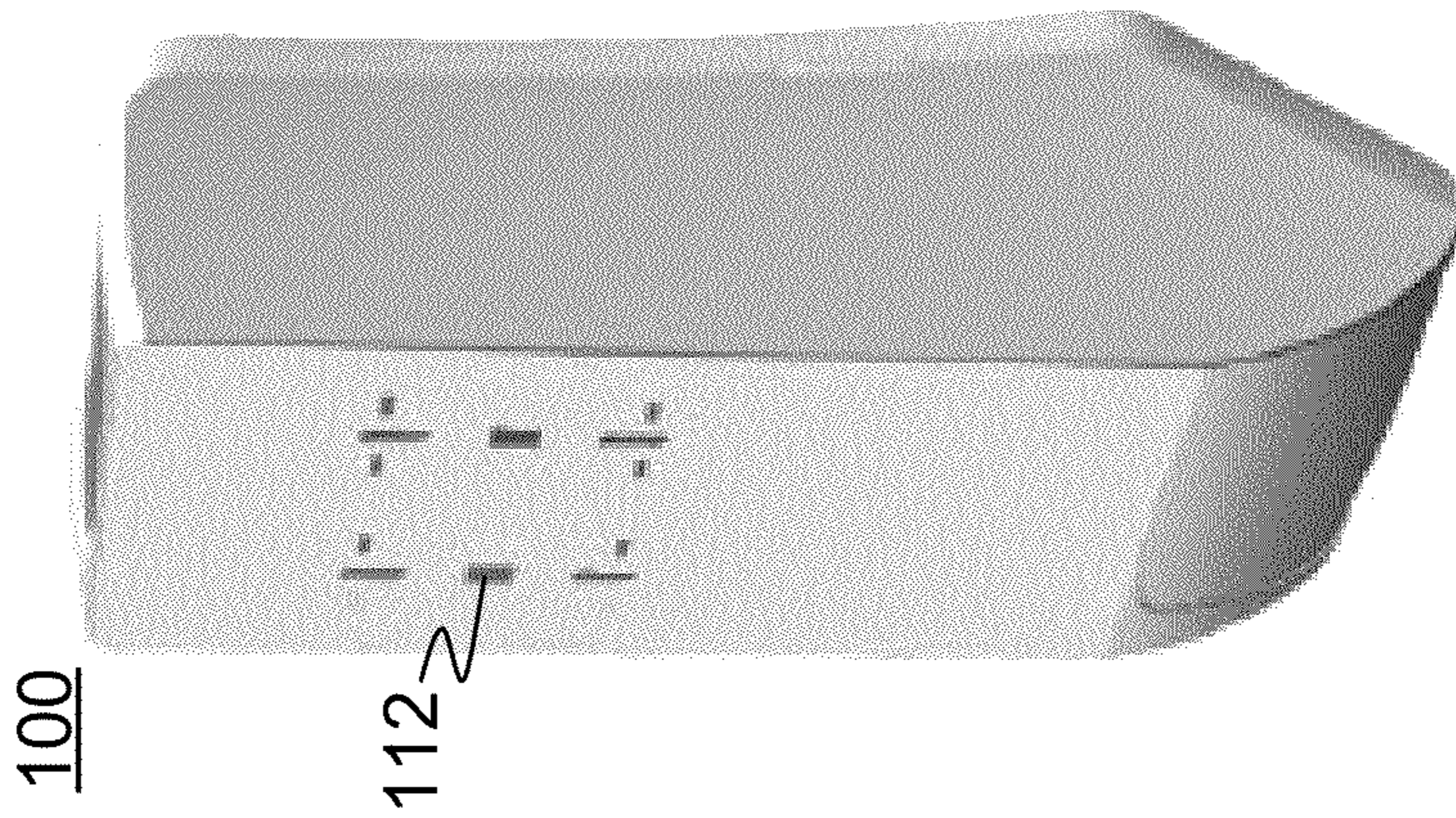


FIG. 1C

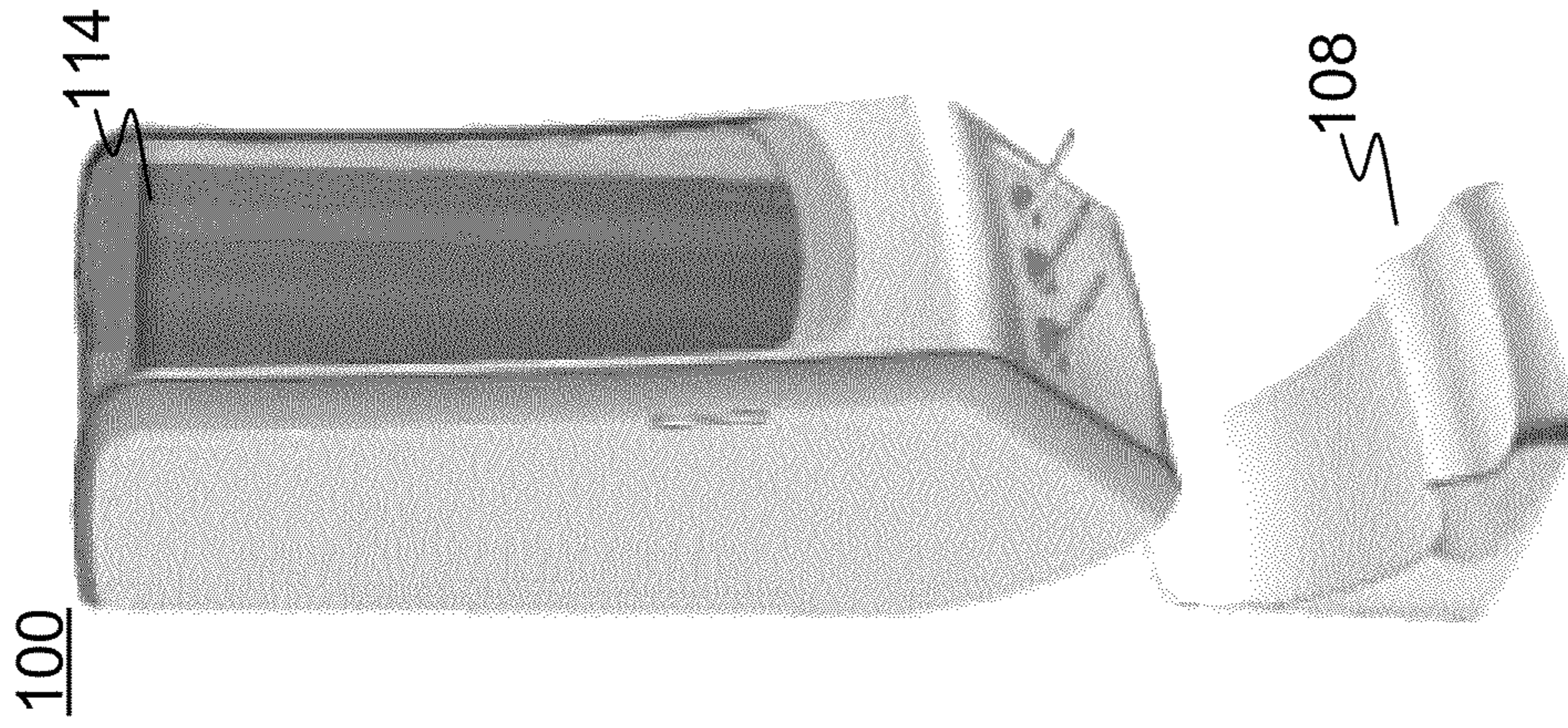


FIG. 1D

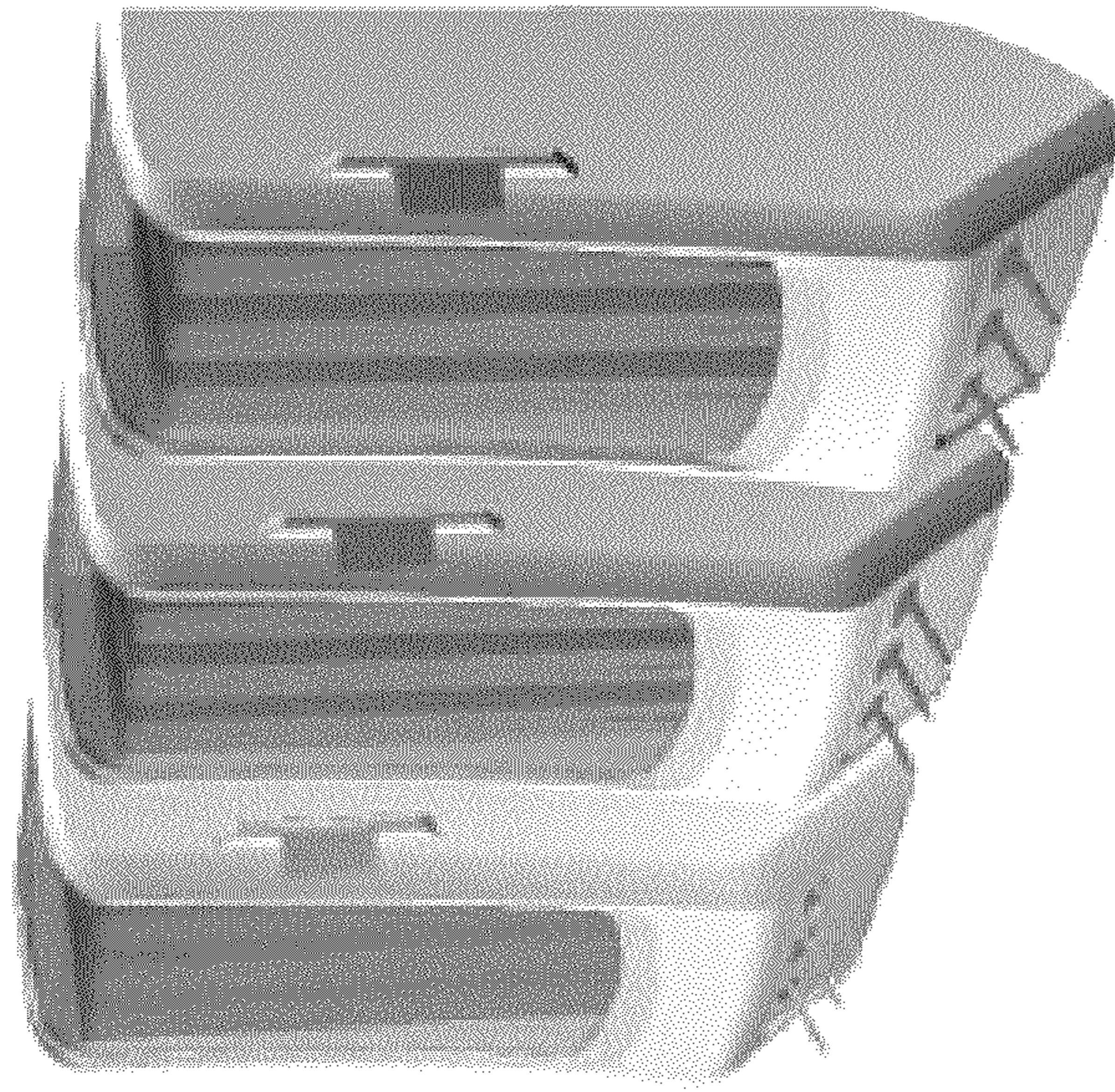
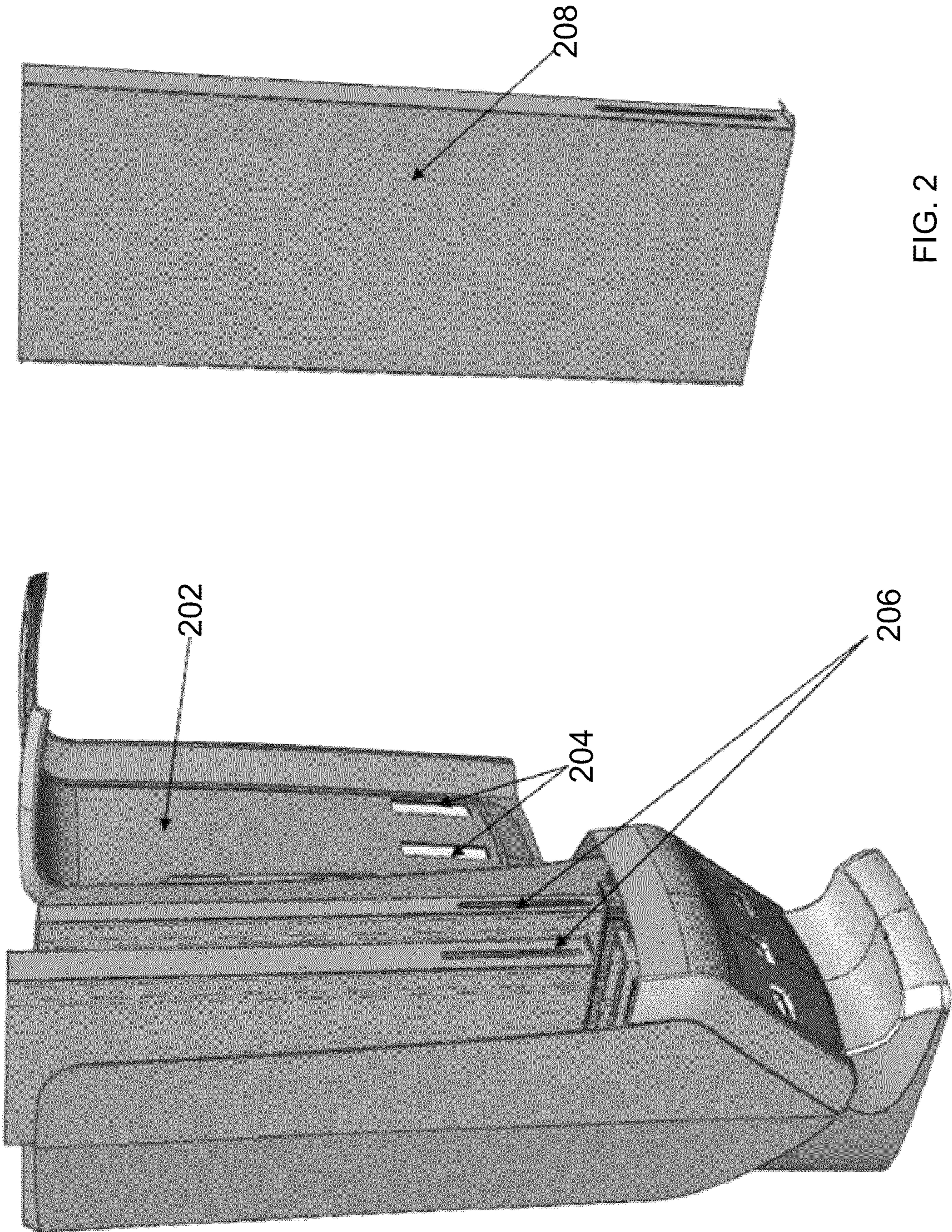


FIG. 1E



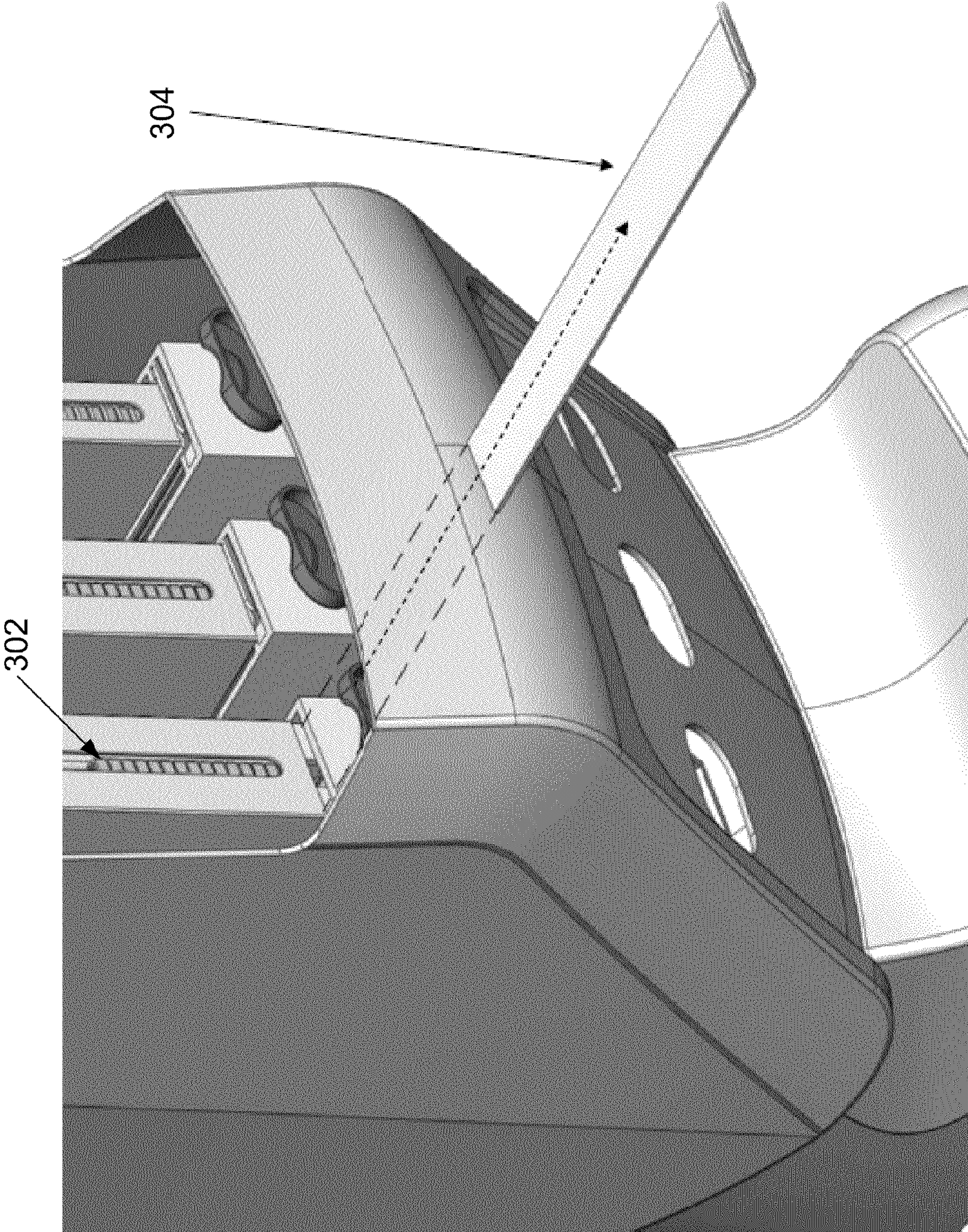


FIG. 3A

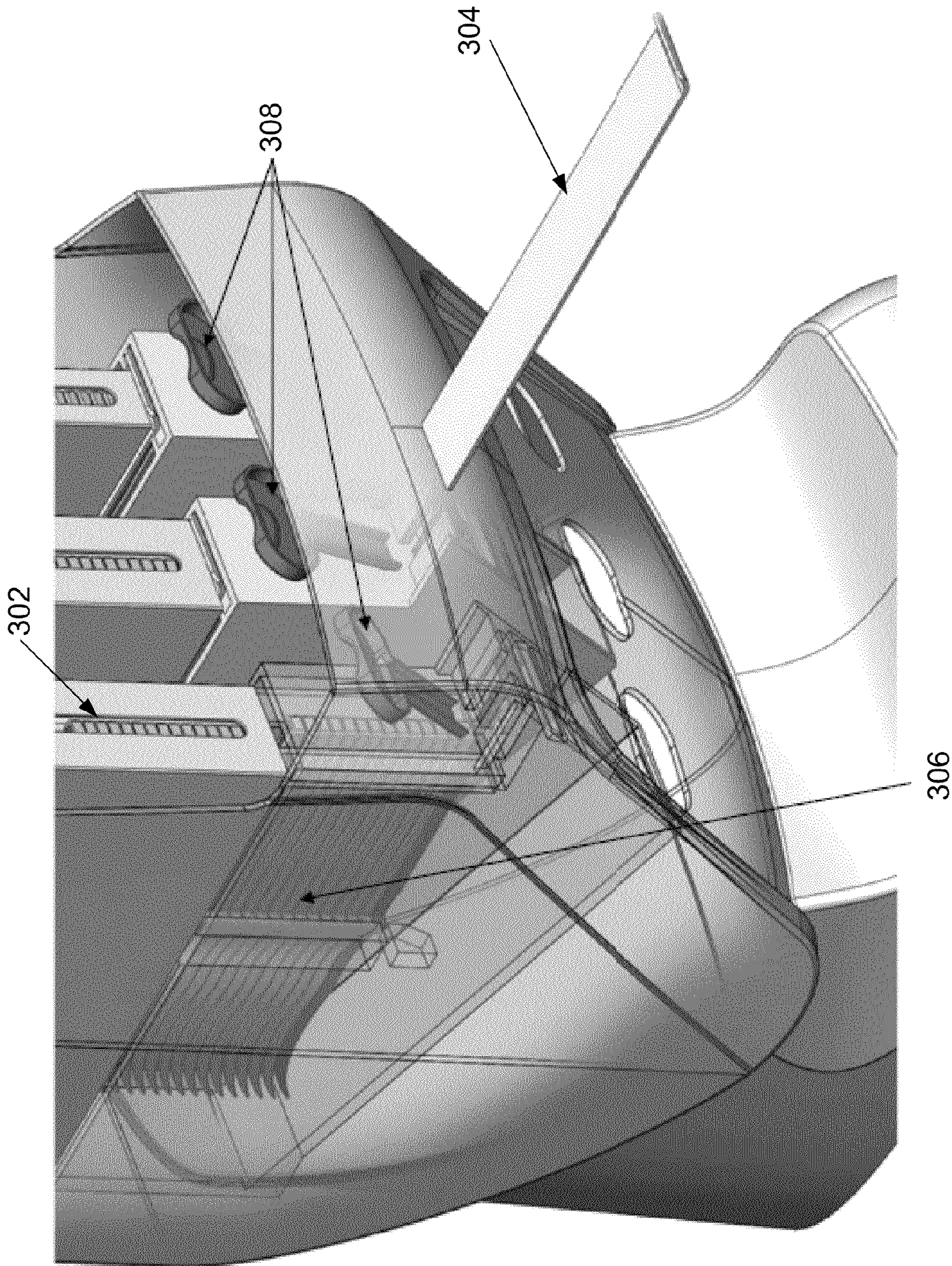


FIG. 3B



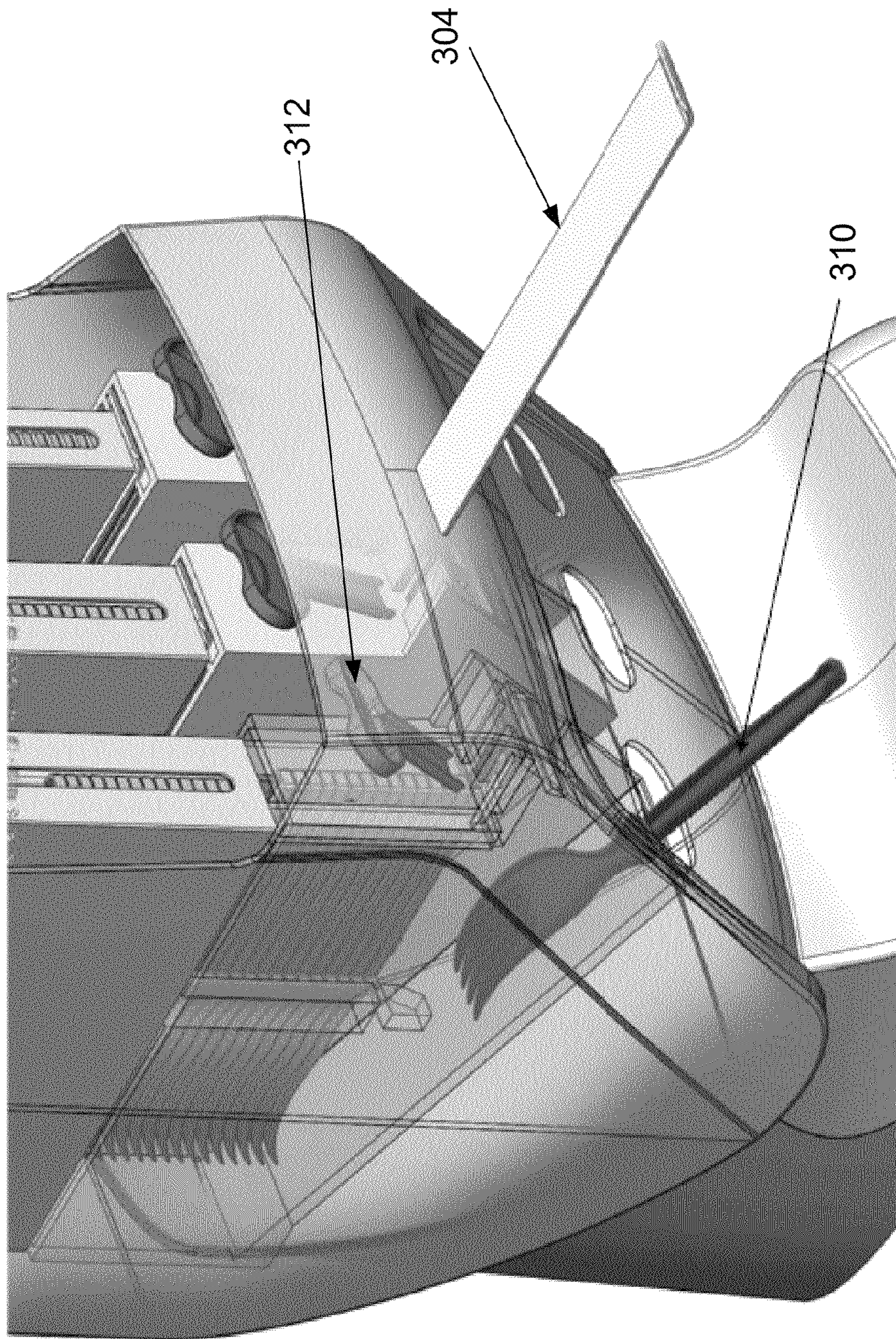
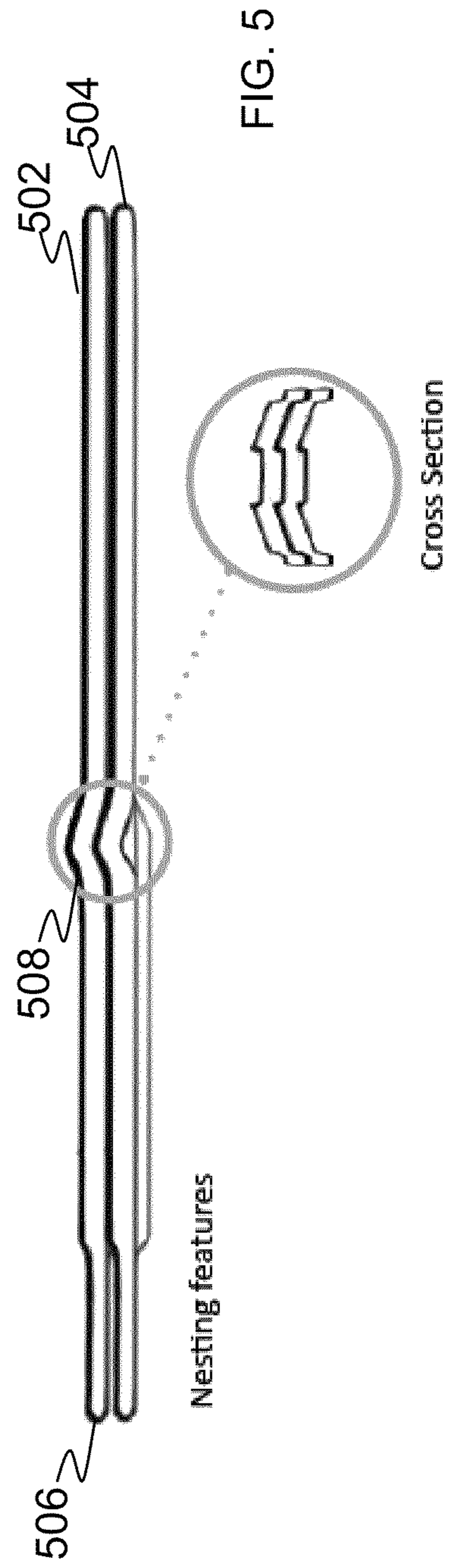
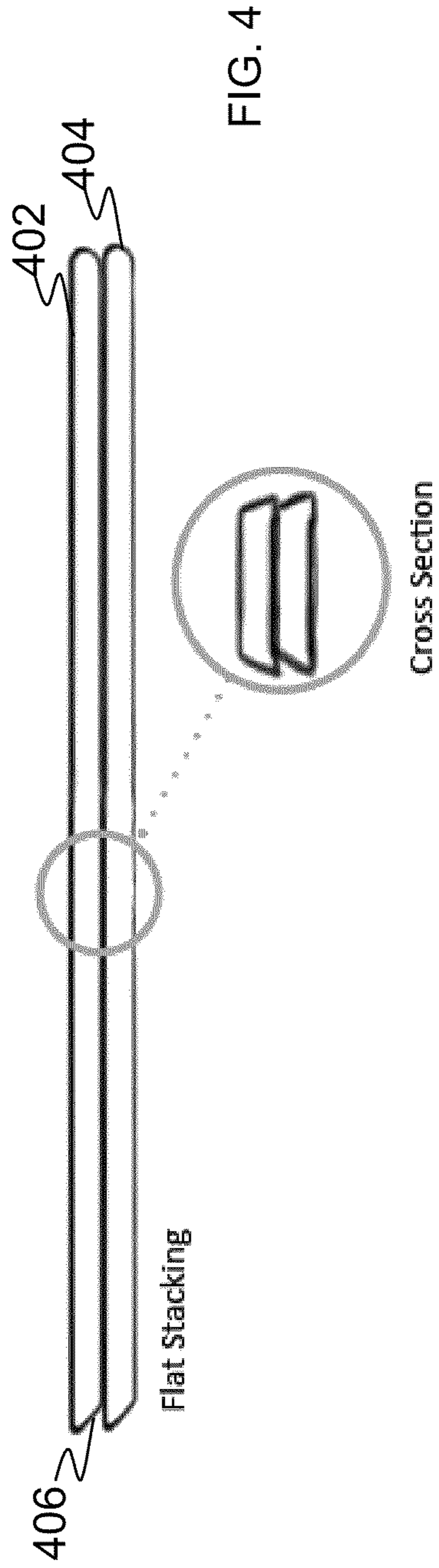


FIG. 3C



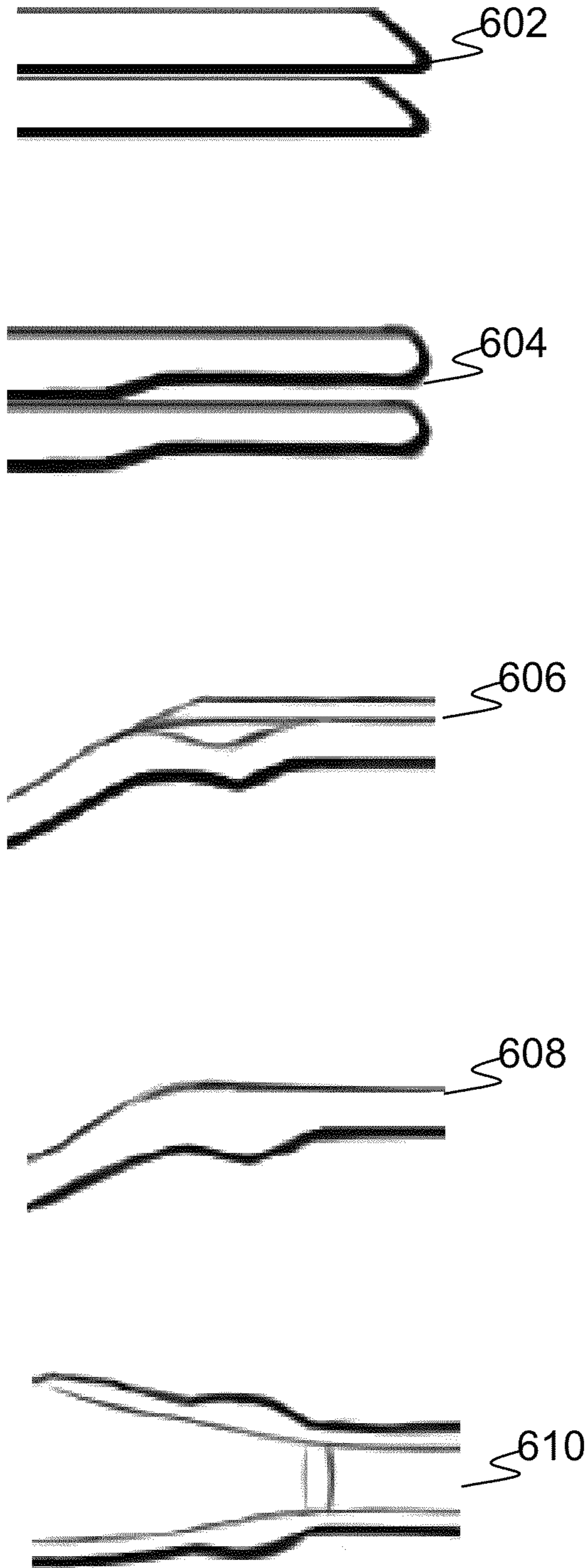


FIG. 6

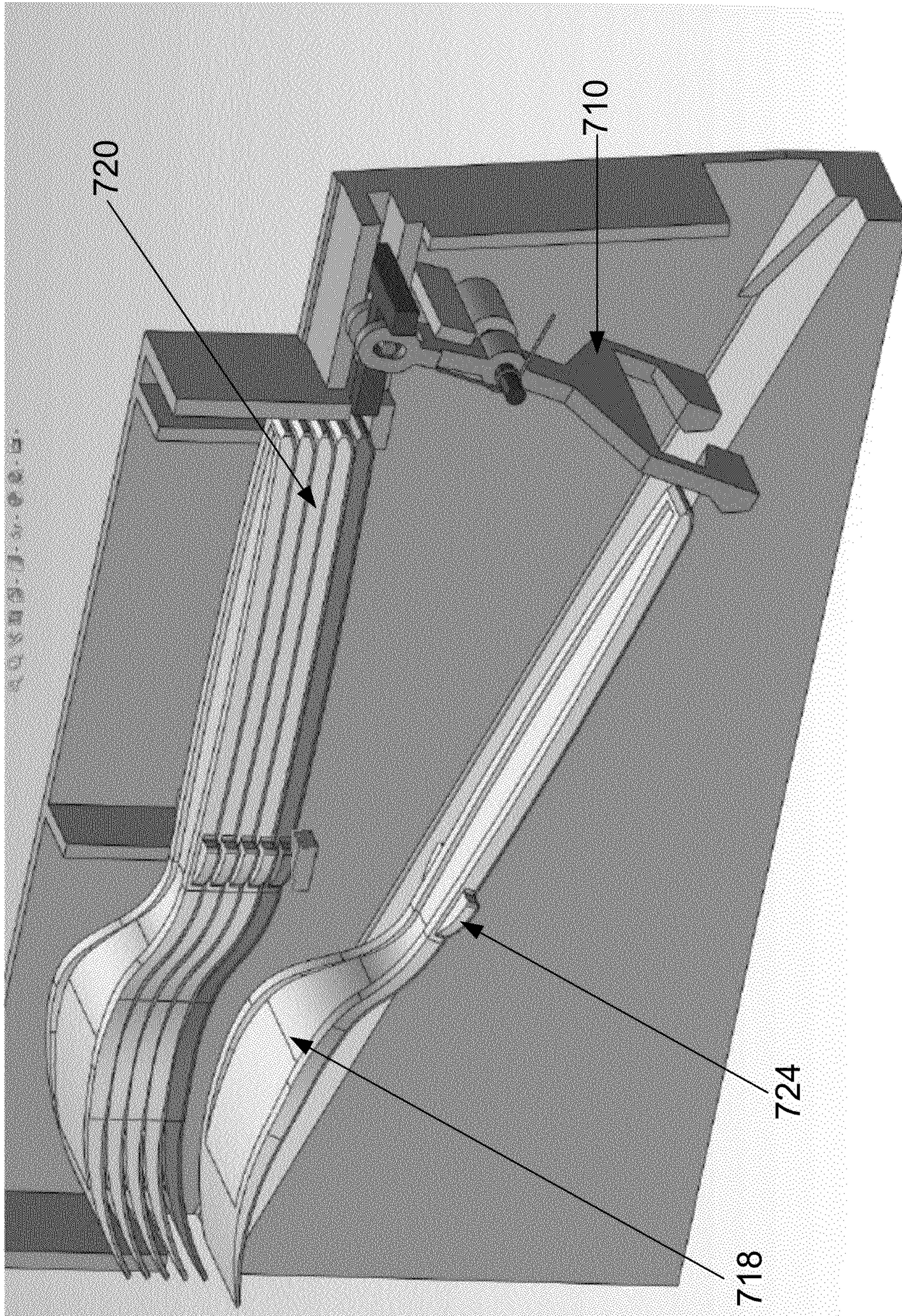


FIG. 7A

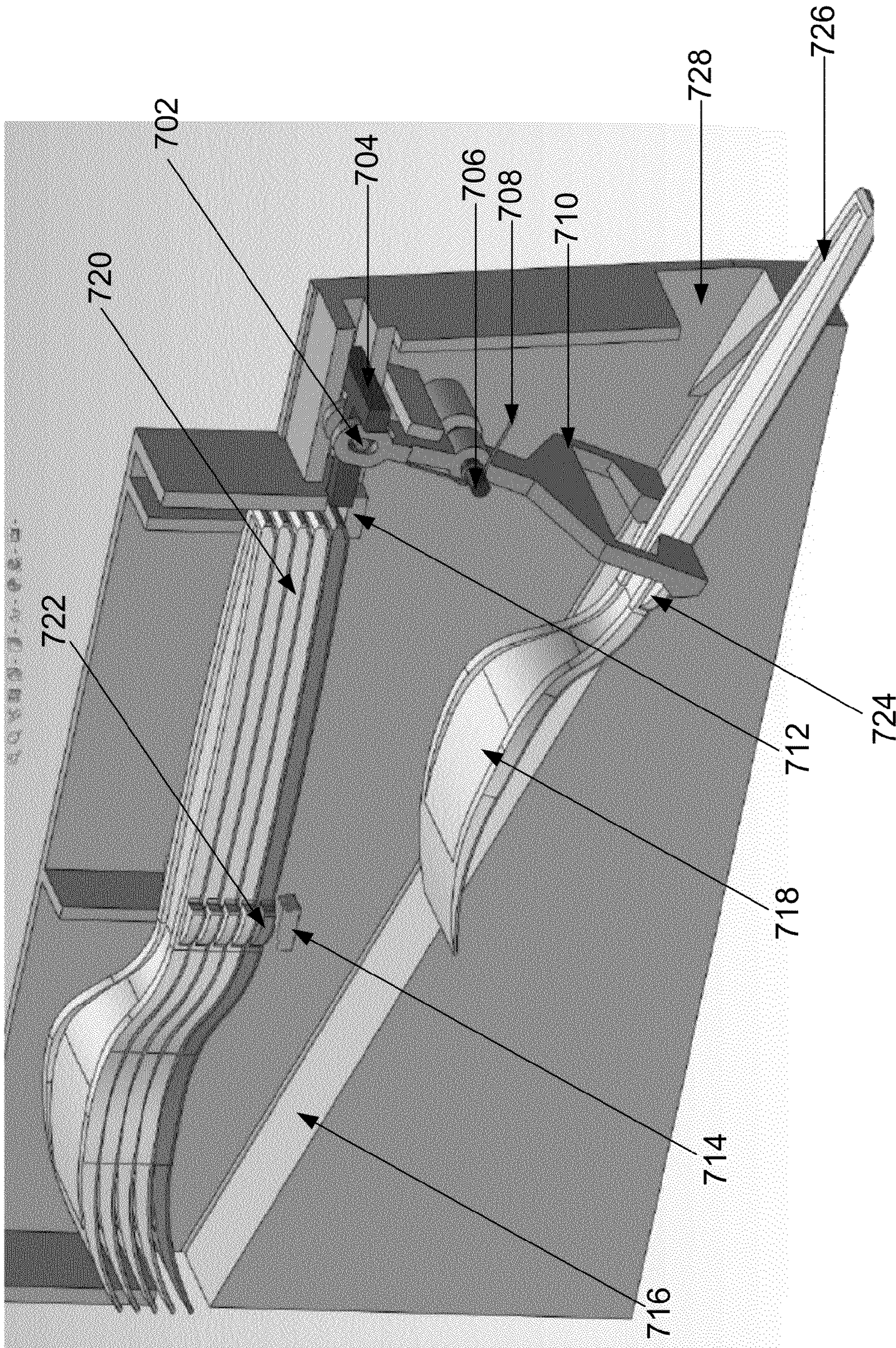


FIG. 7B

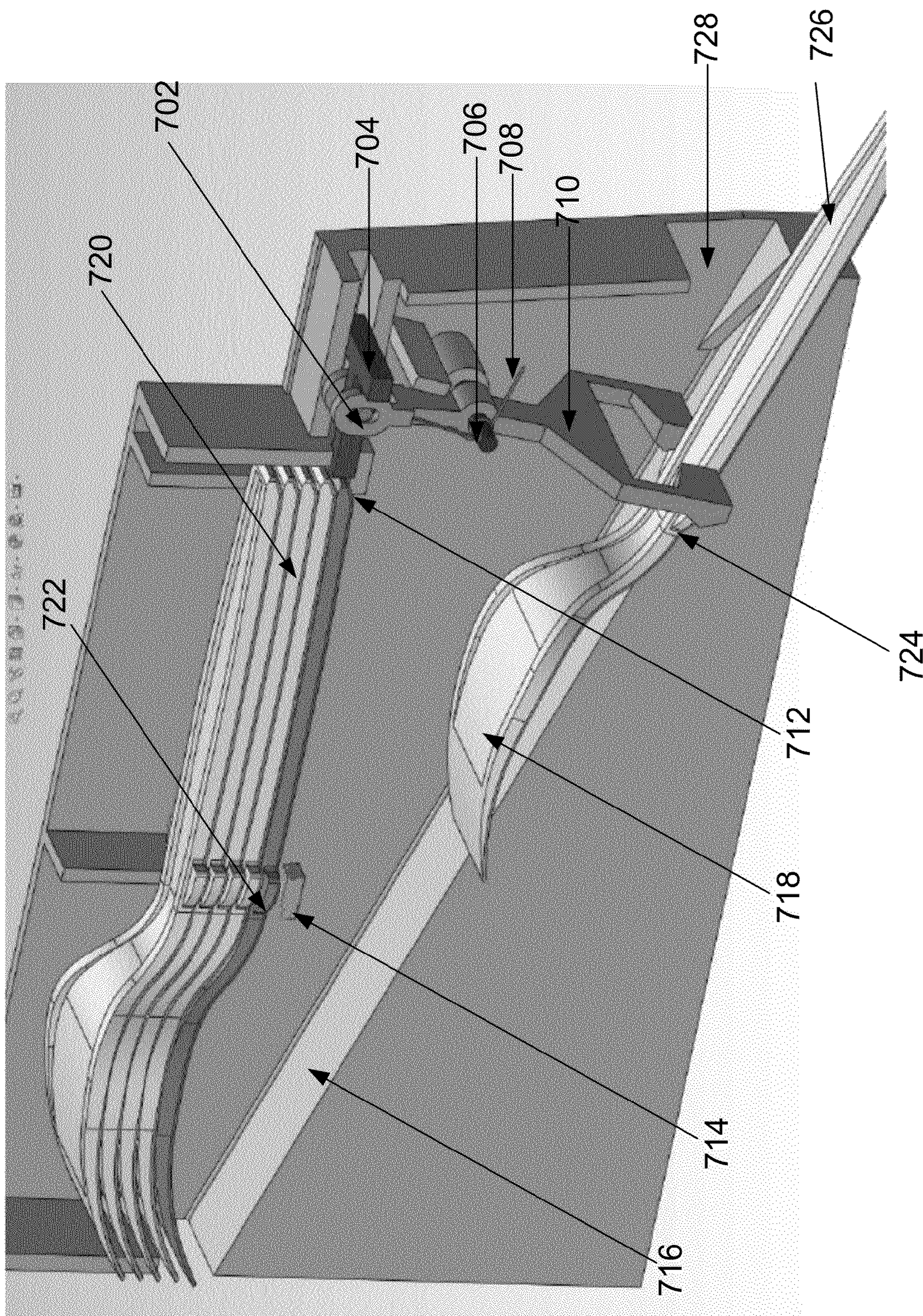


FIG. 7C

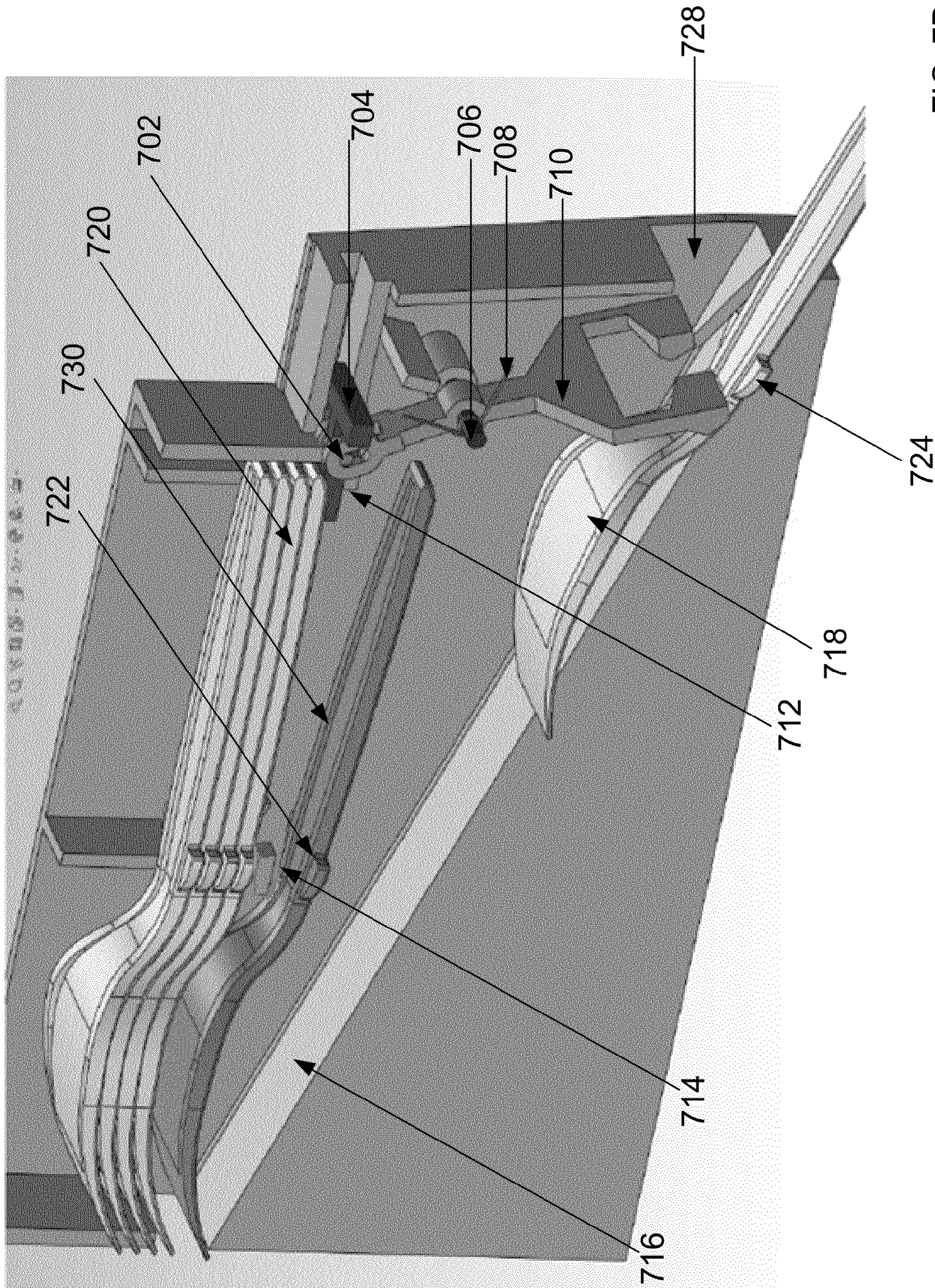


FIG. 7D

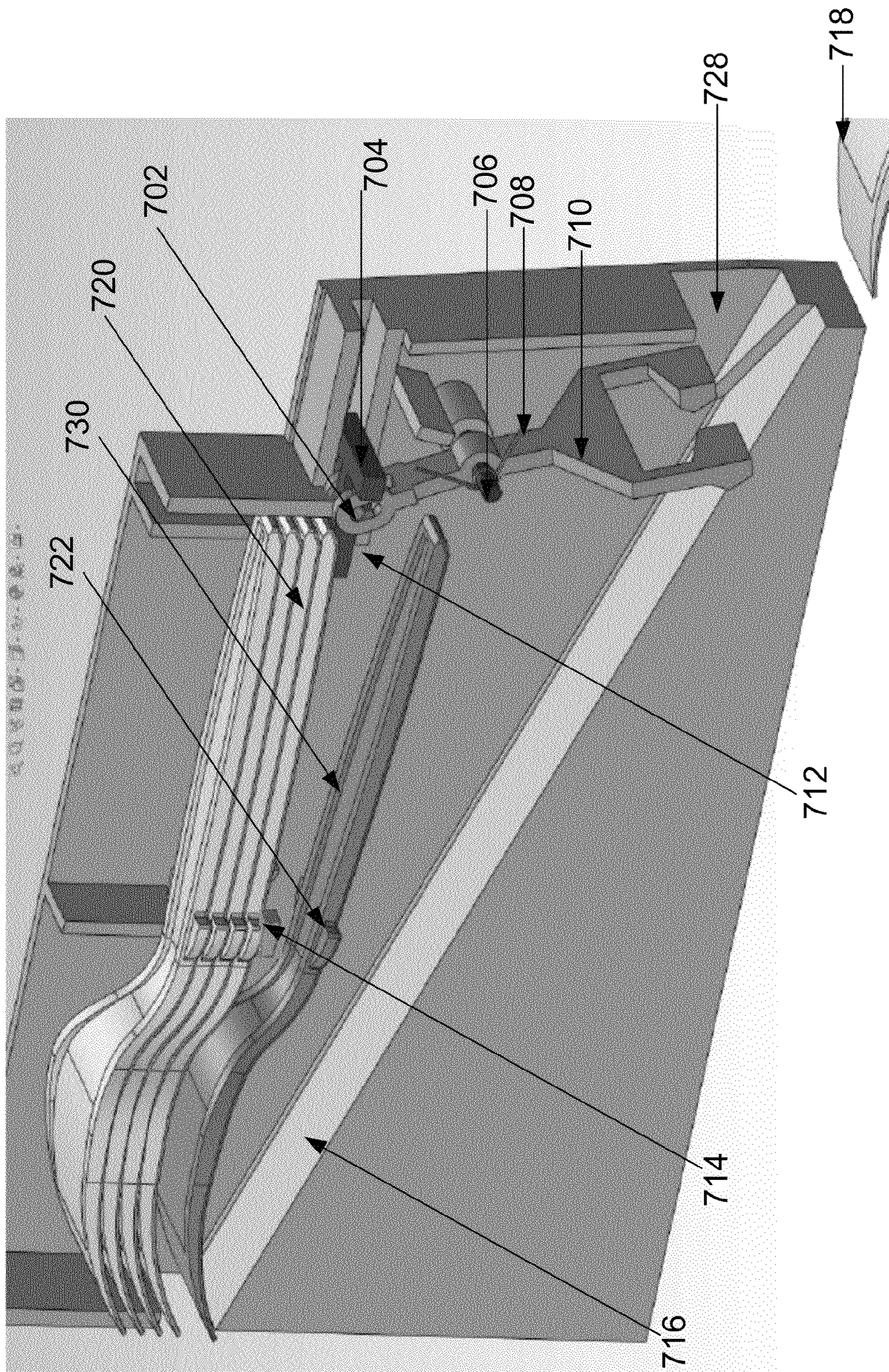


FIG. 7E



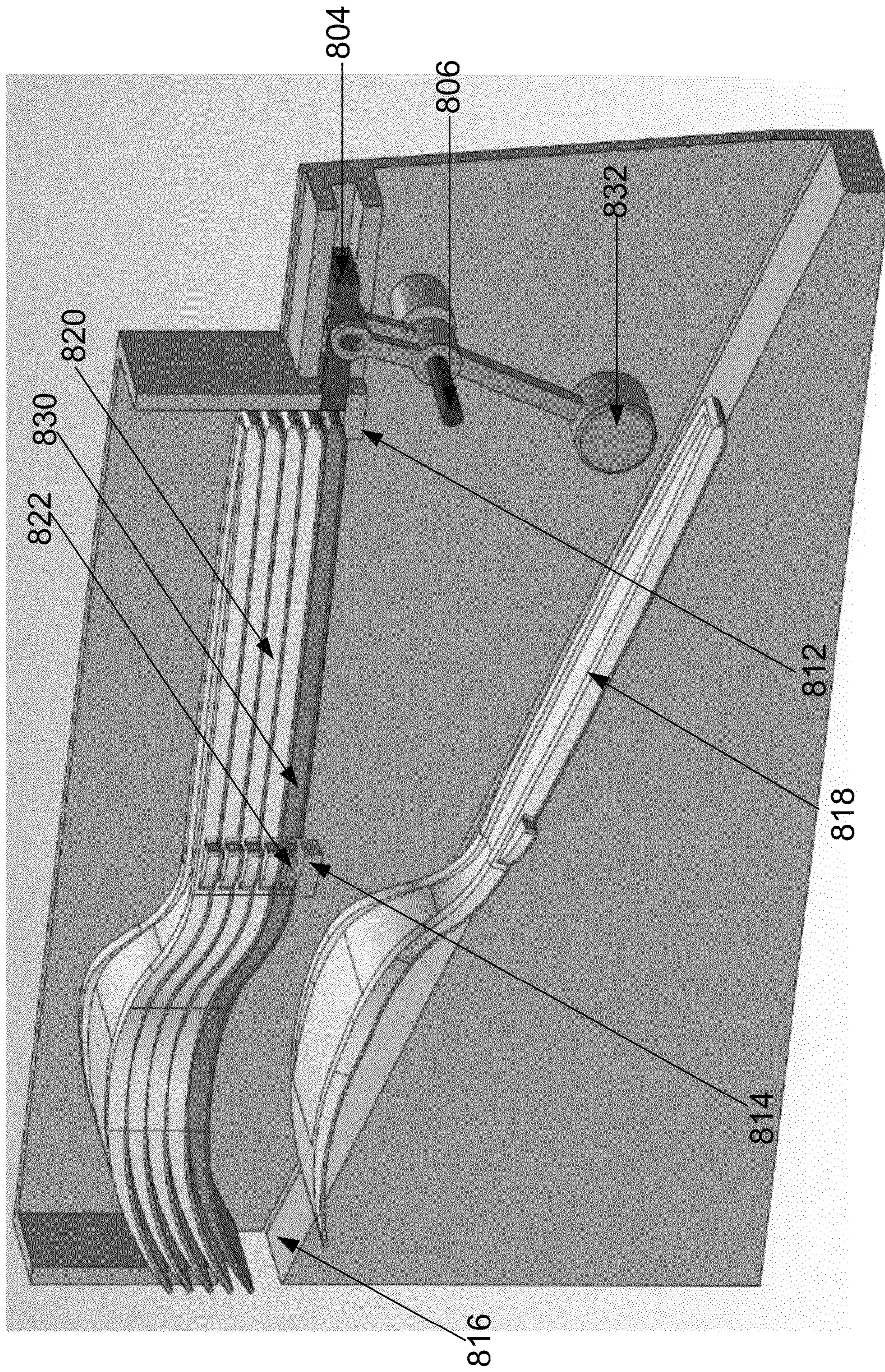


FIG. 8A

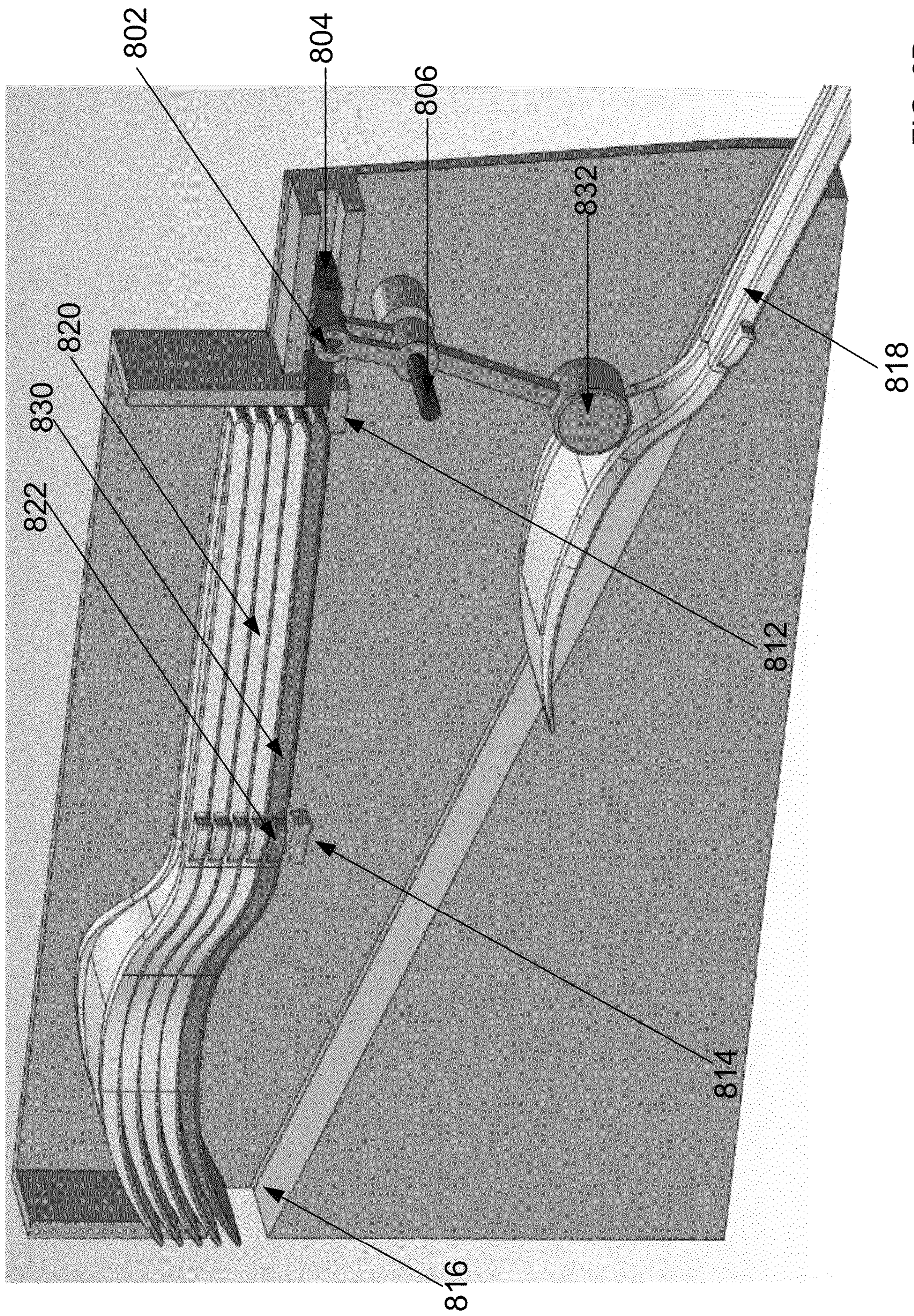


FIG. 8B

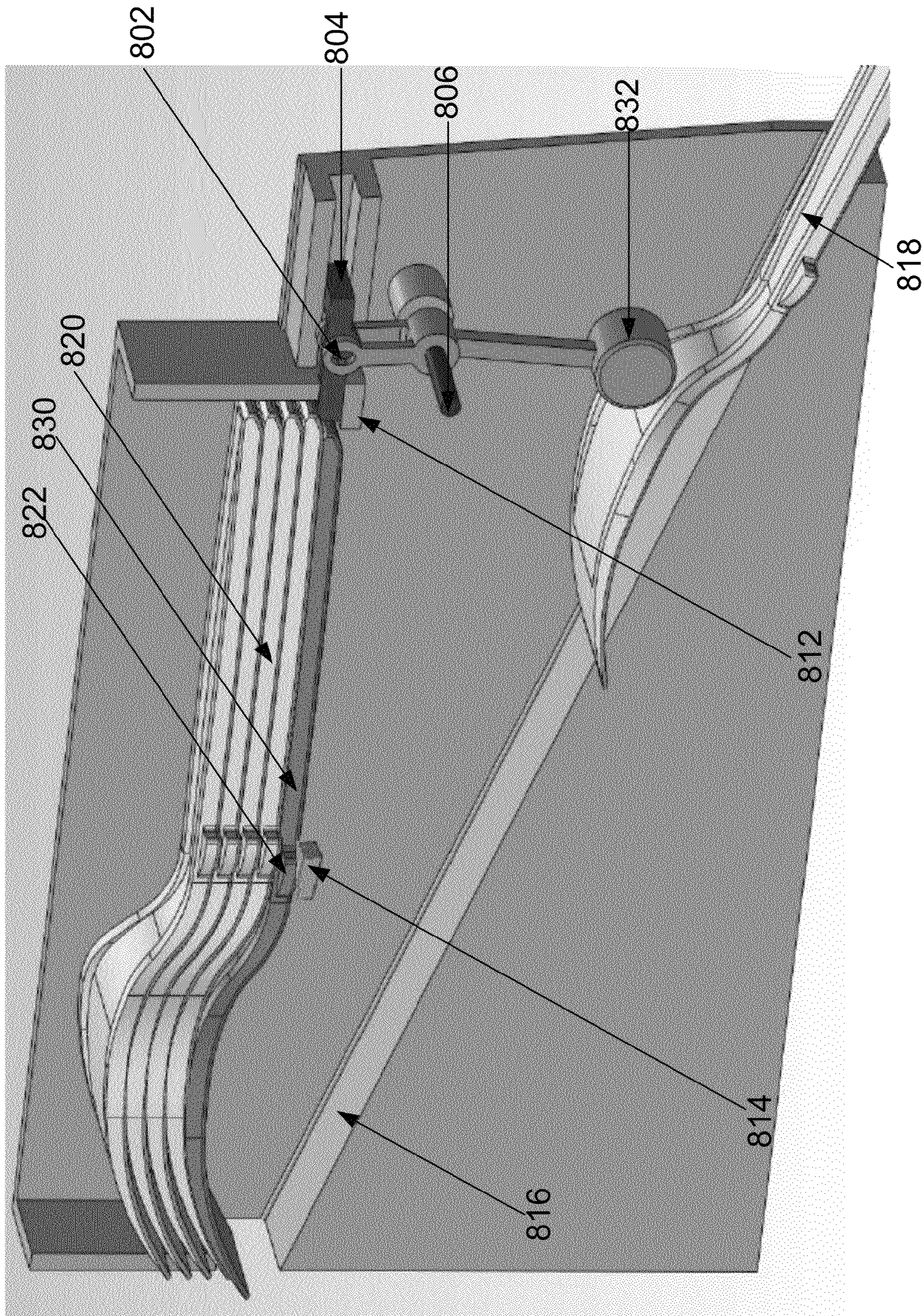


FIG. 8C

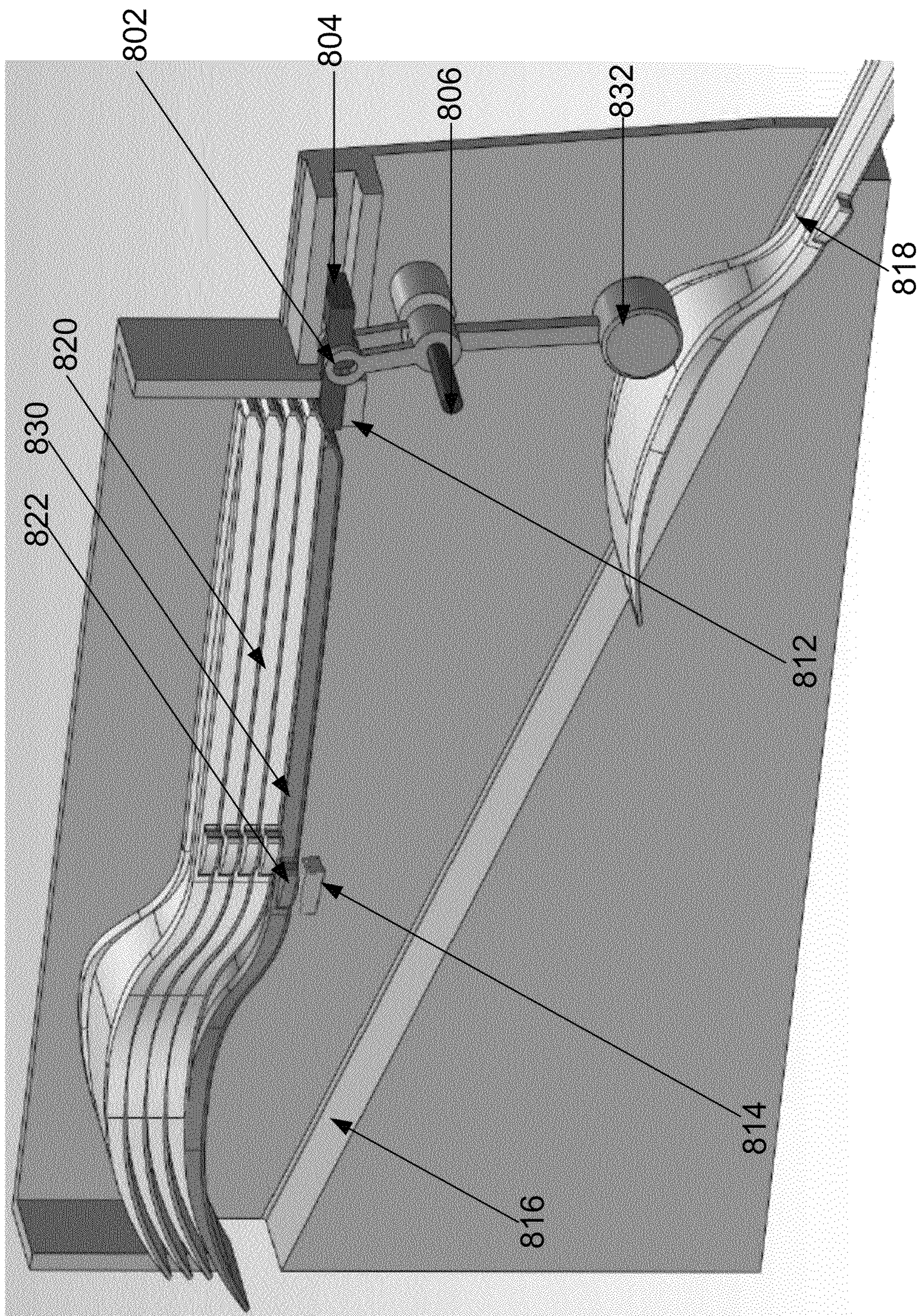


FIG. 8D

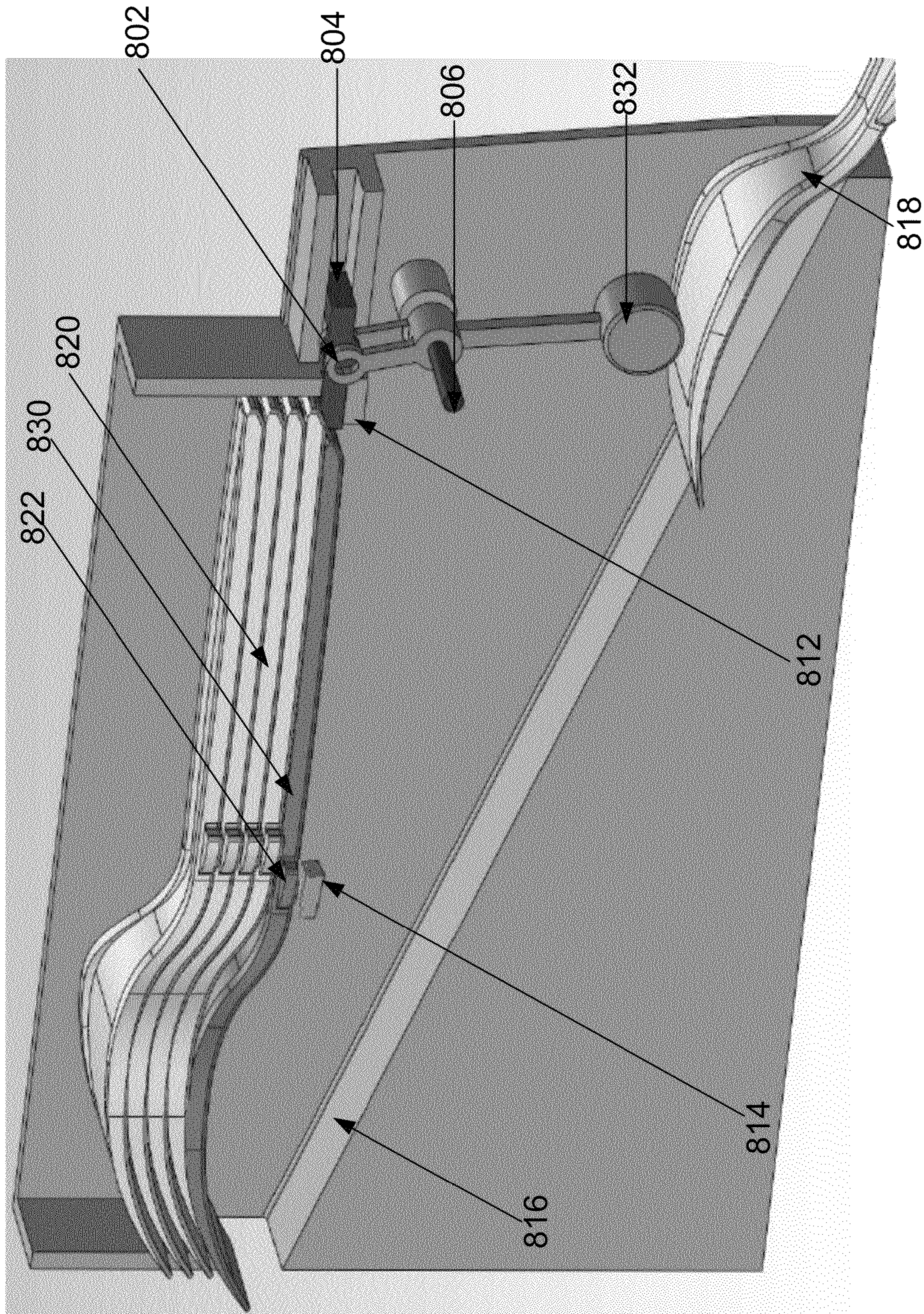


FIG. 8E

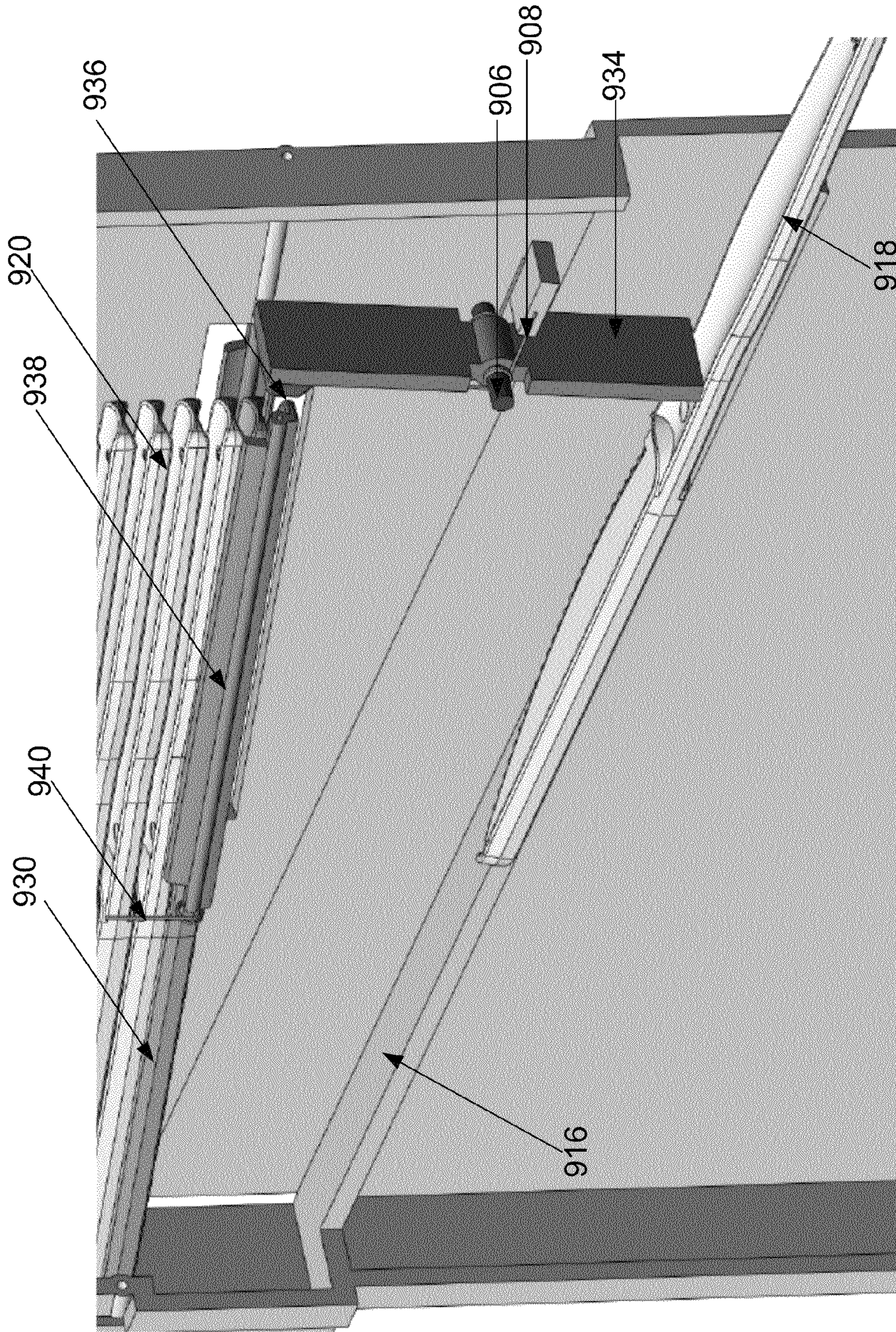


FIG. 9A

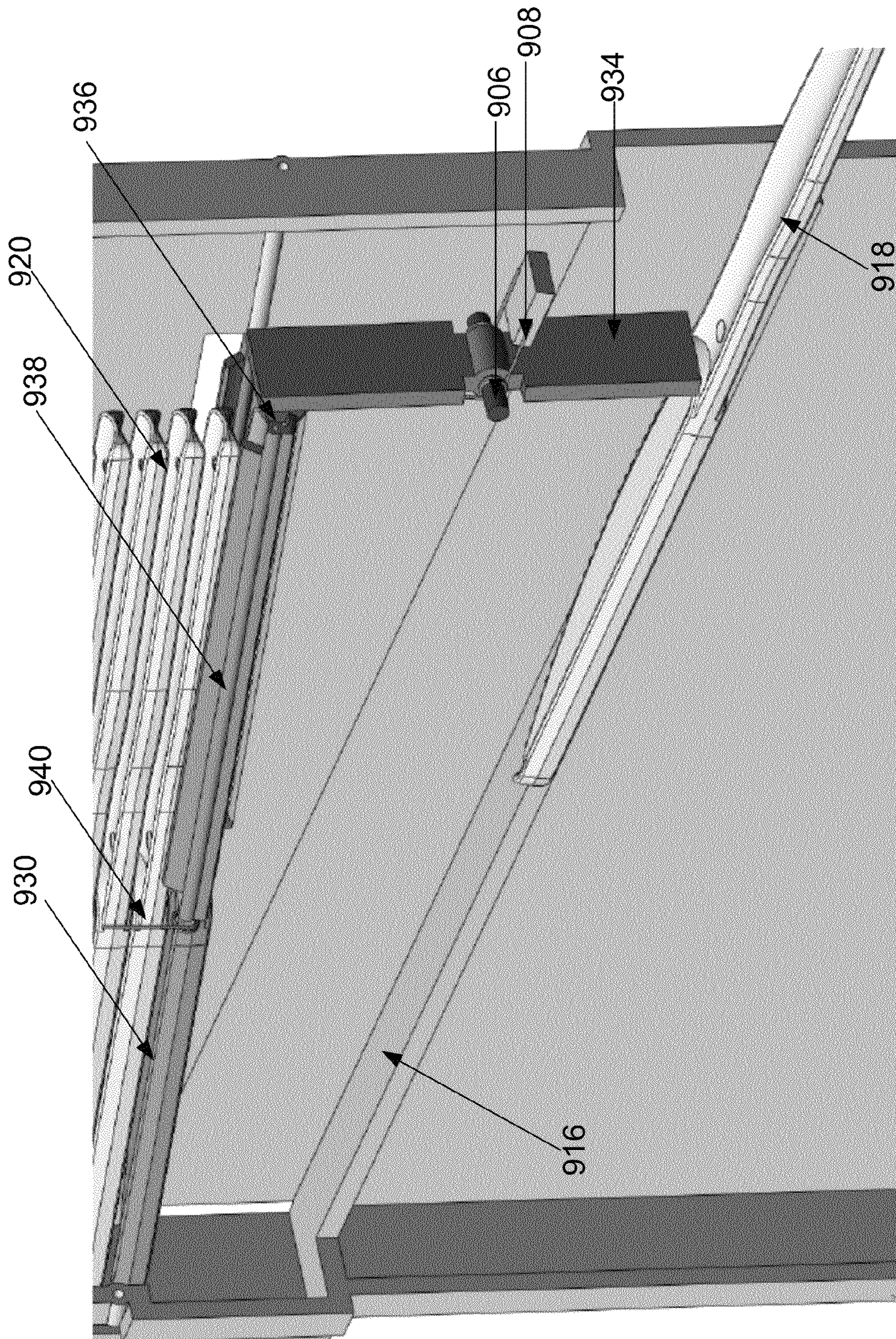


FIG. 9B

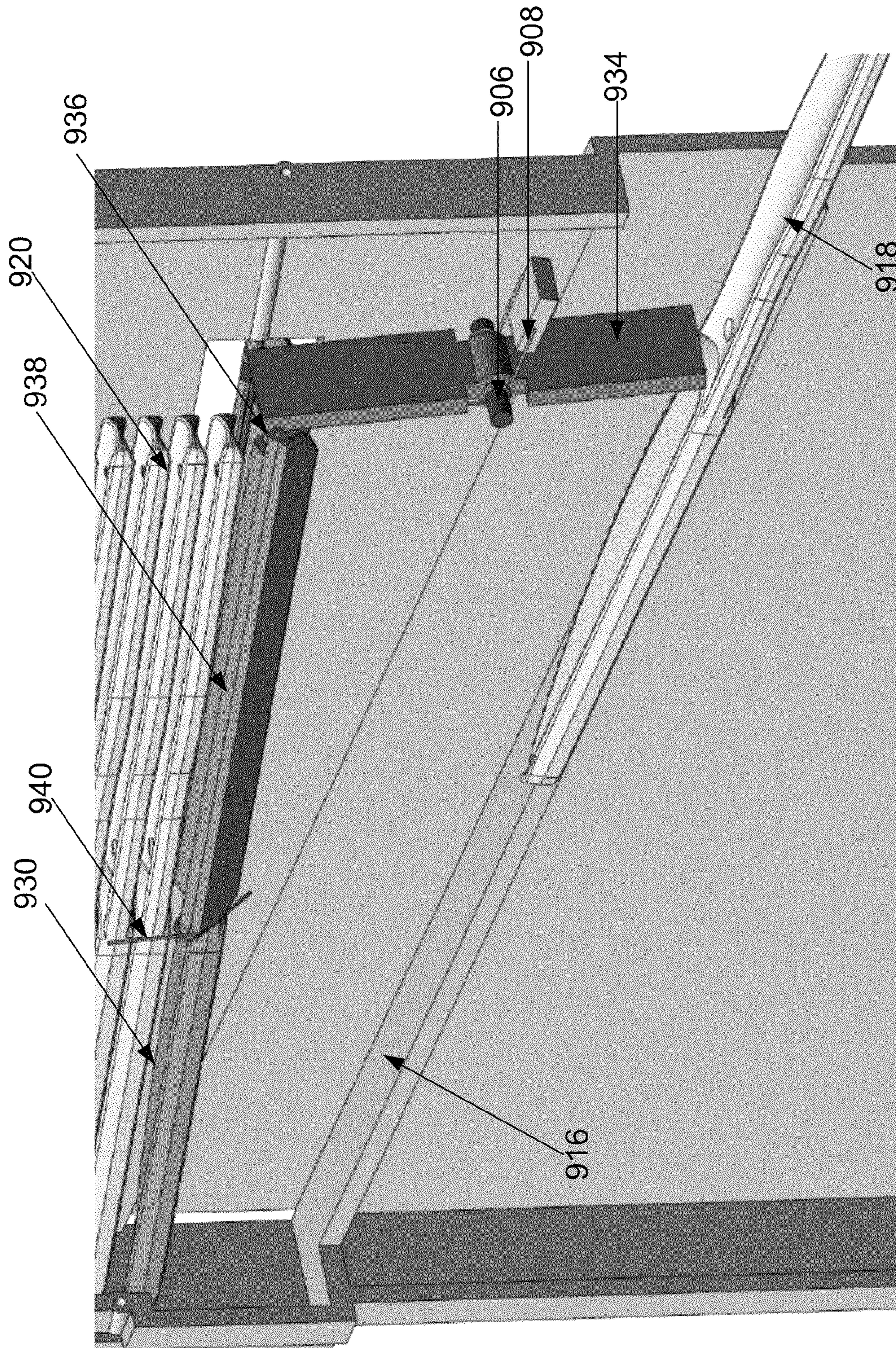


FIG. 9C



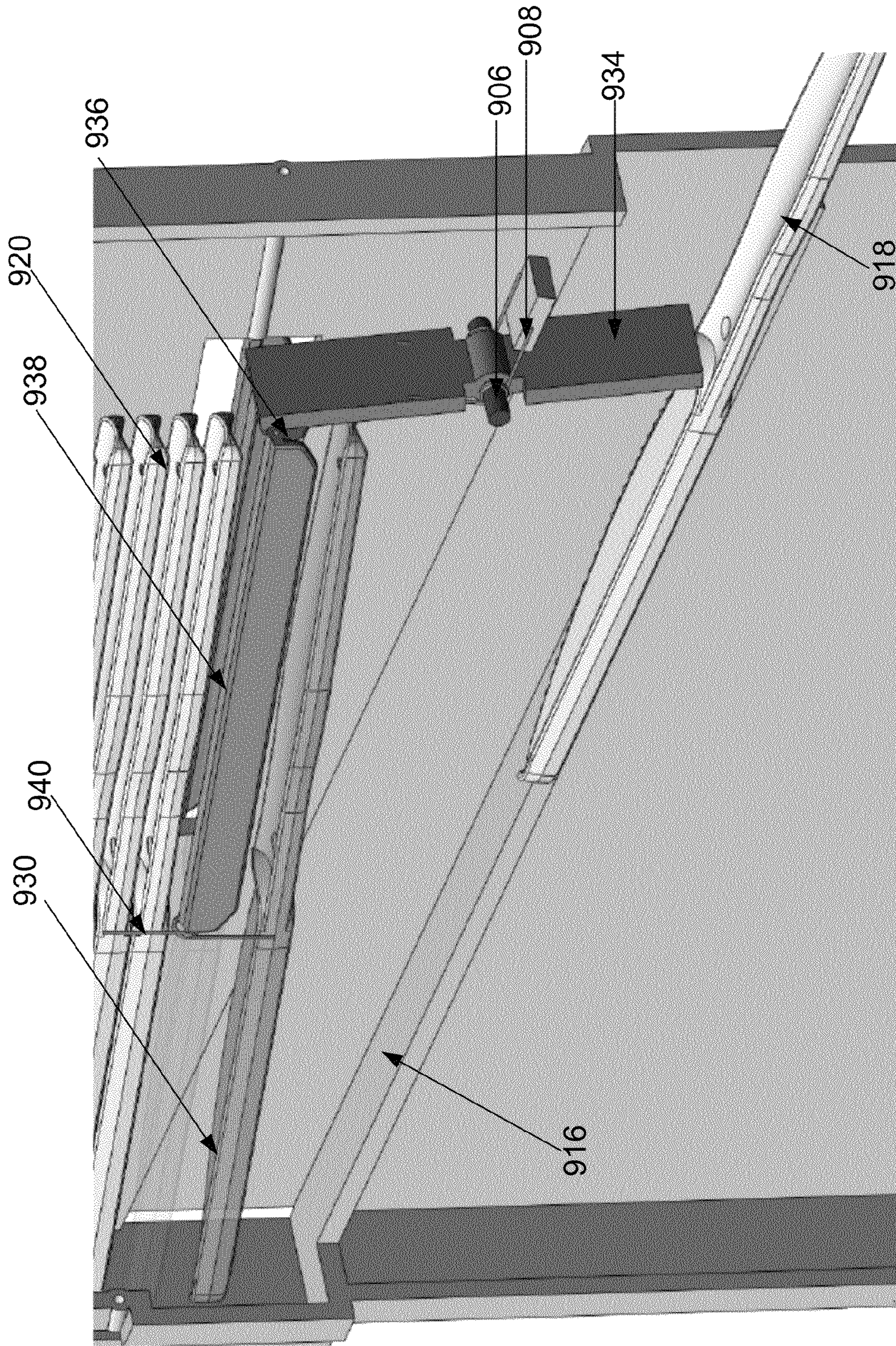


FIG. 9D

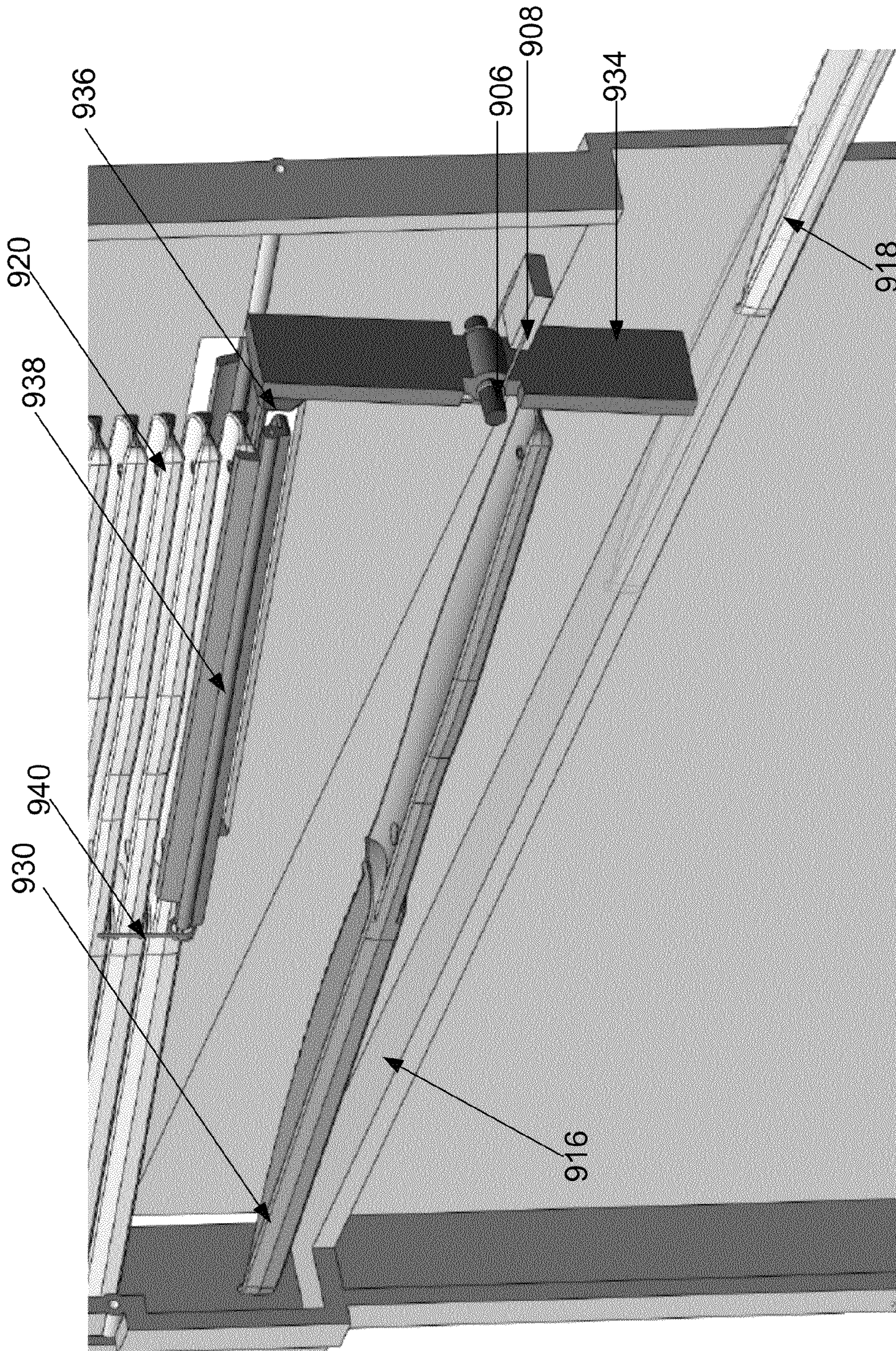


FIG. 9E

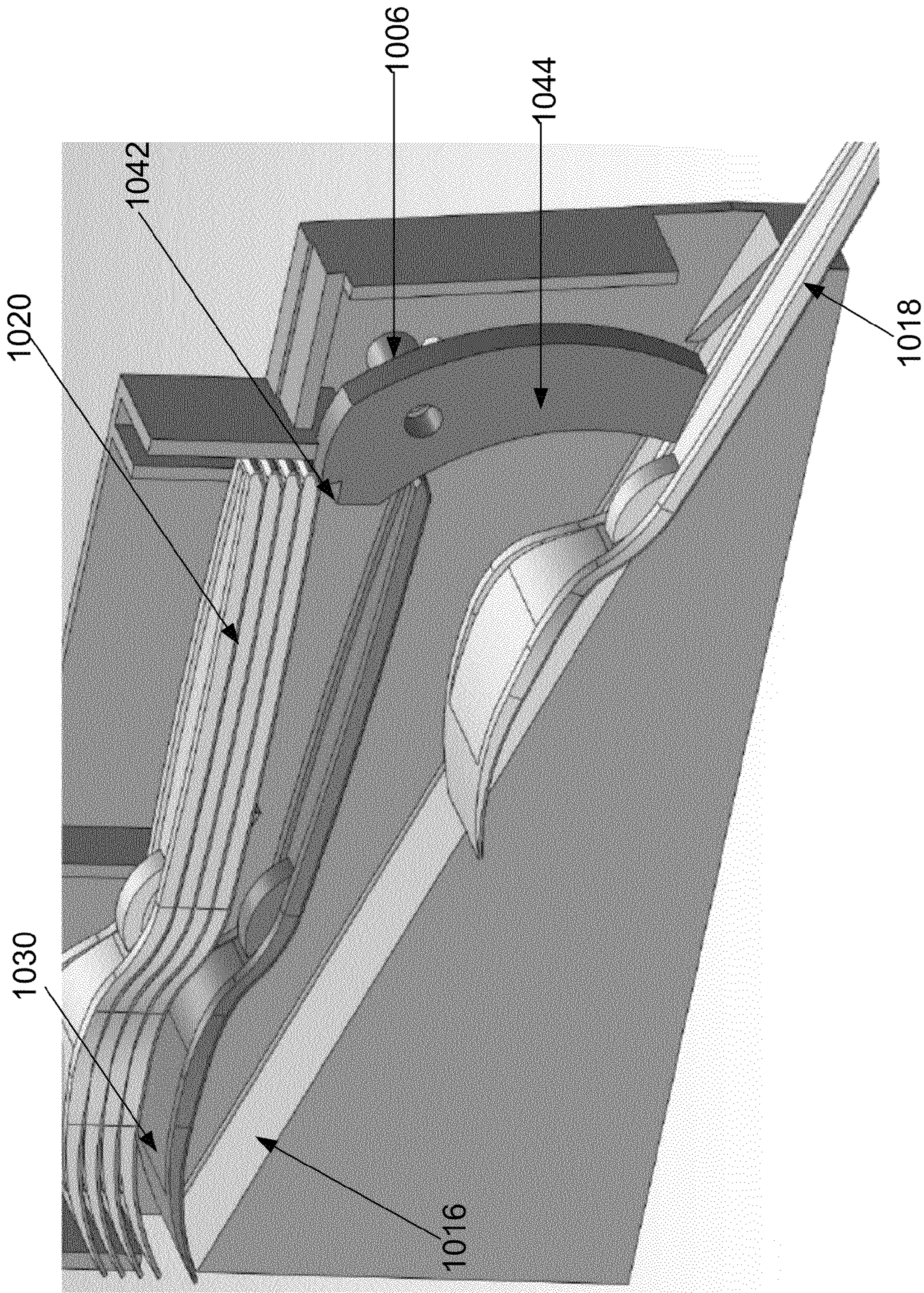


FIG. 10

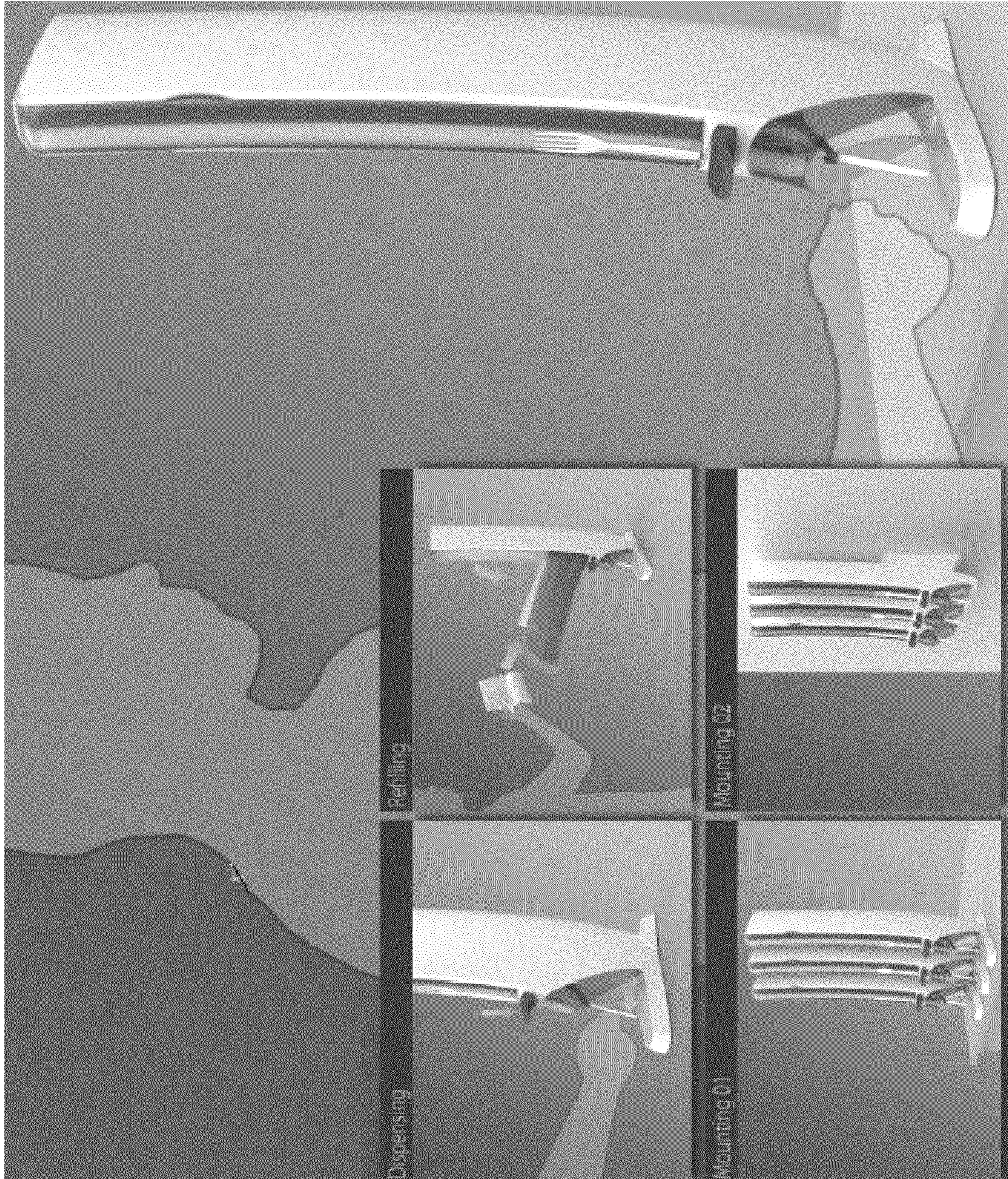


FIG. 11

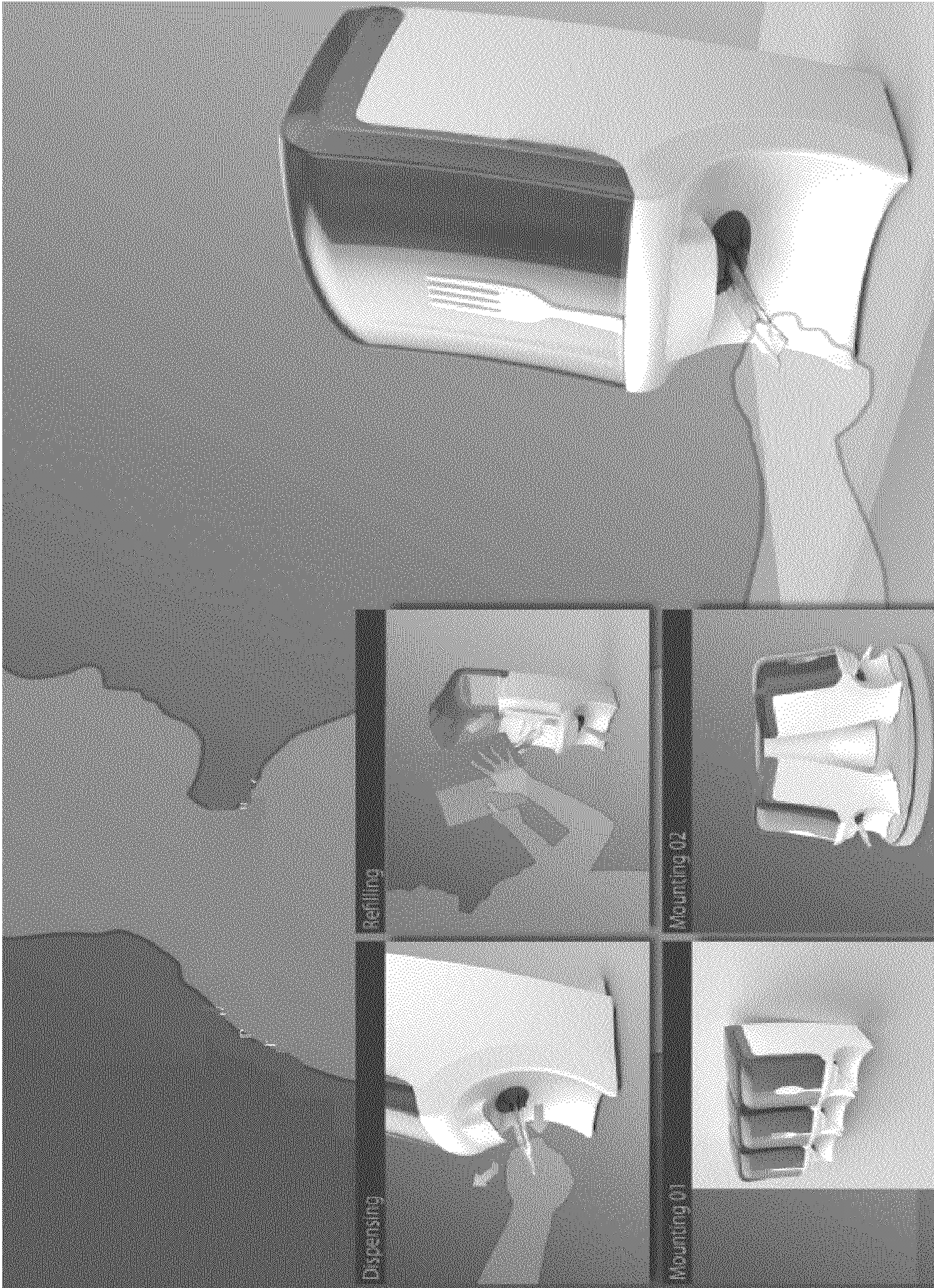


FIG. 12

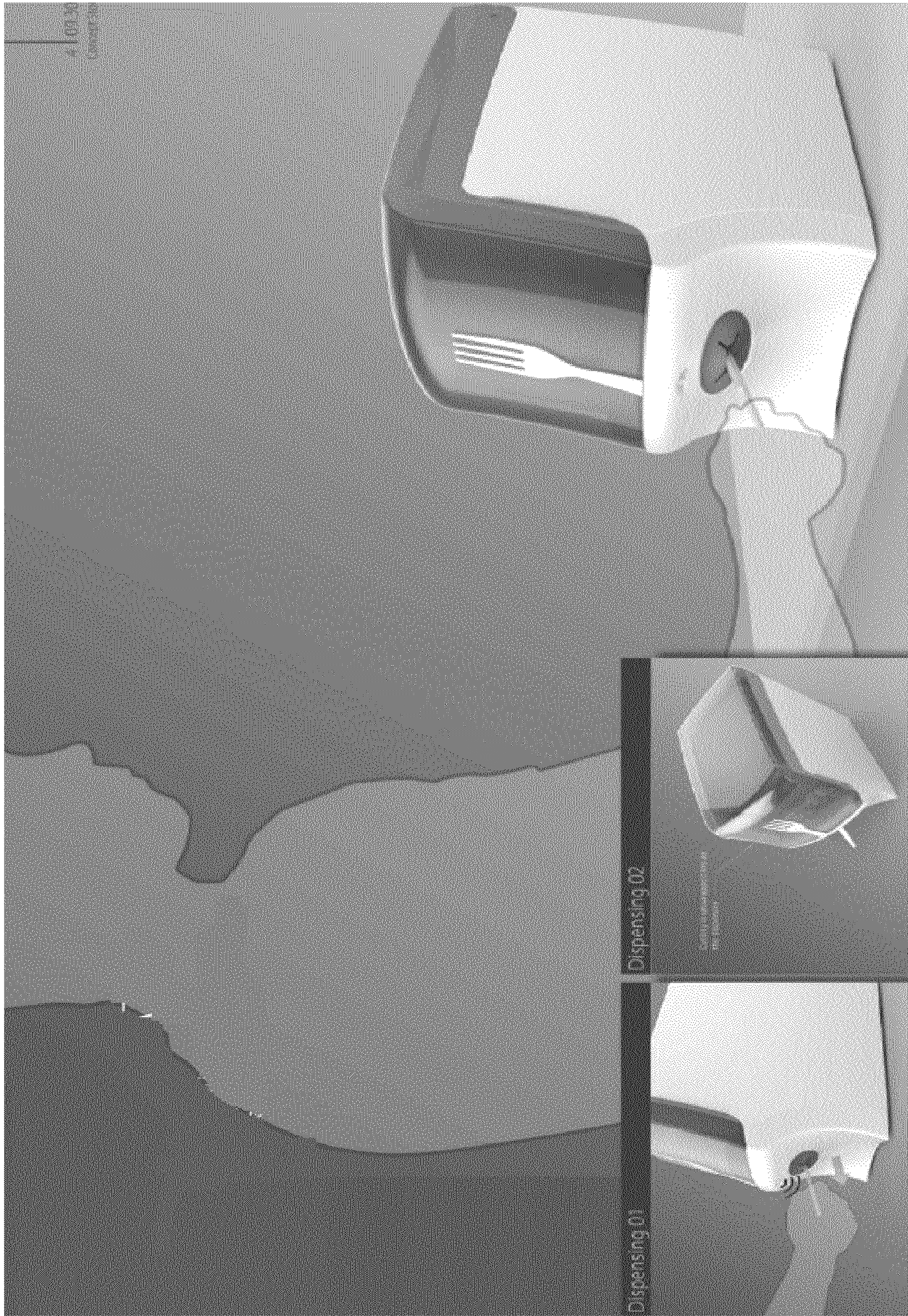


FIG. 13

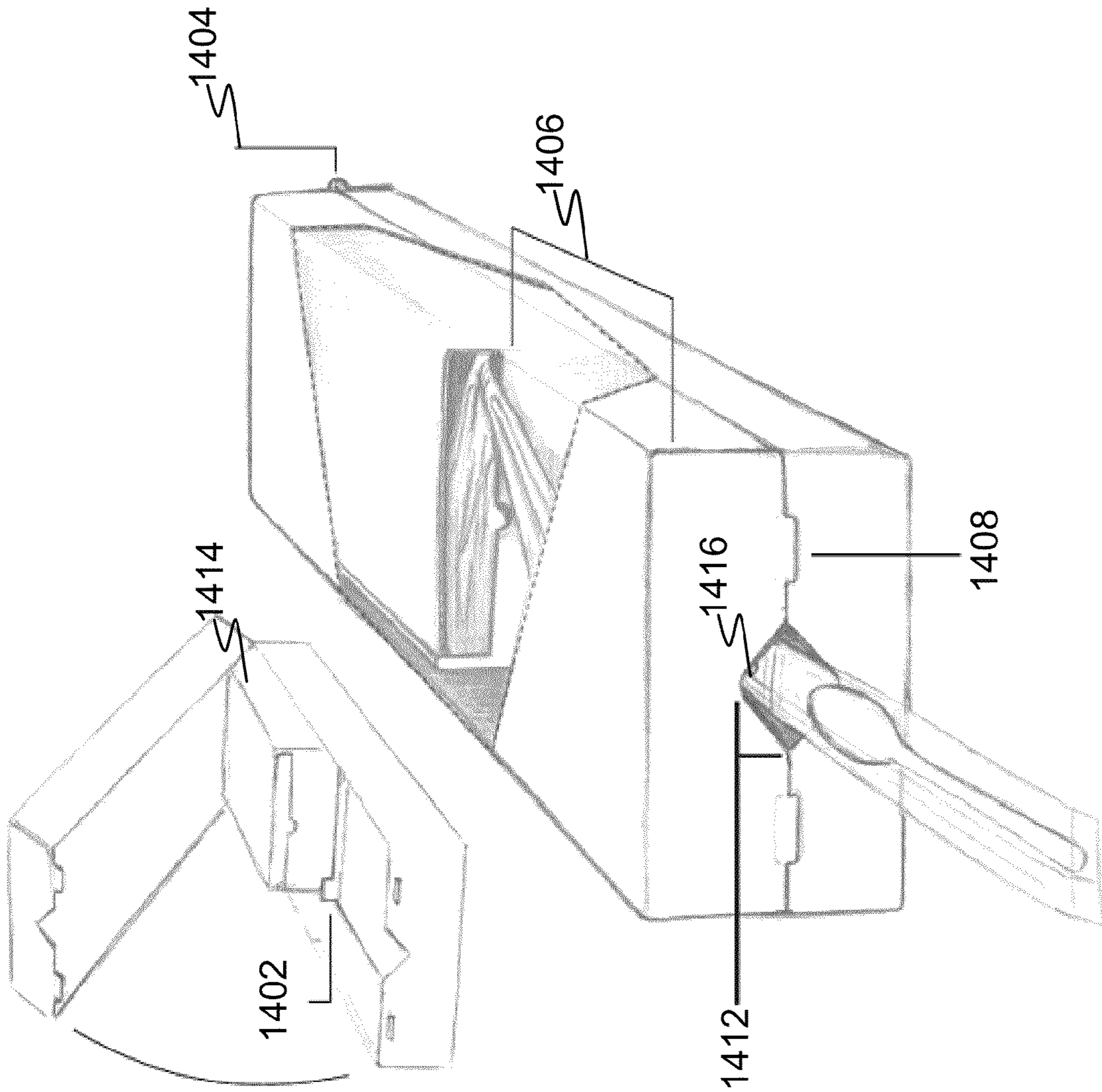


FIG. 14

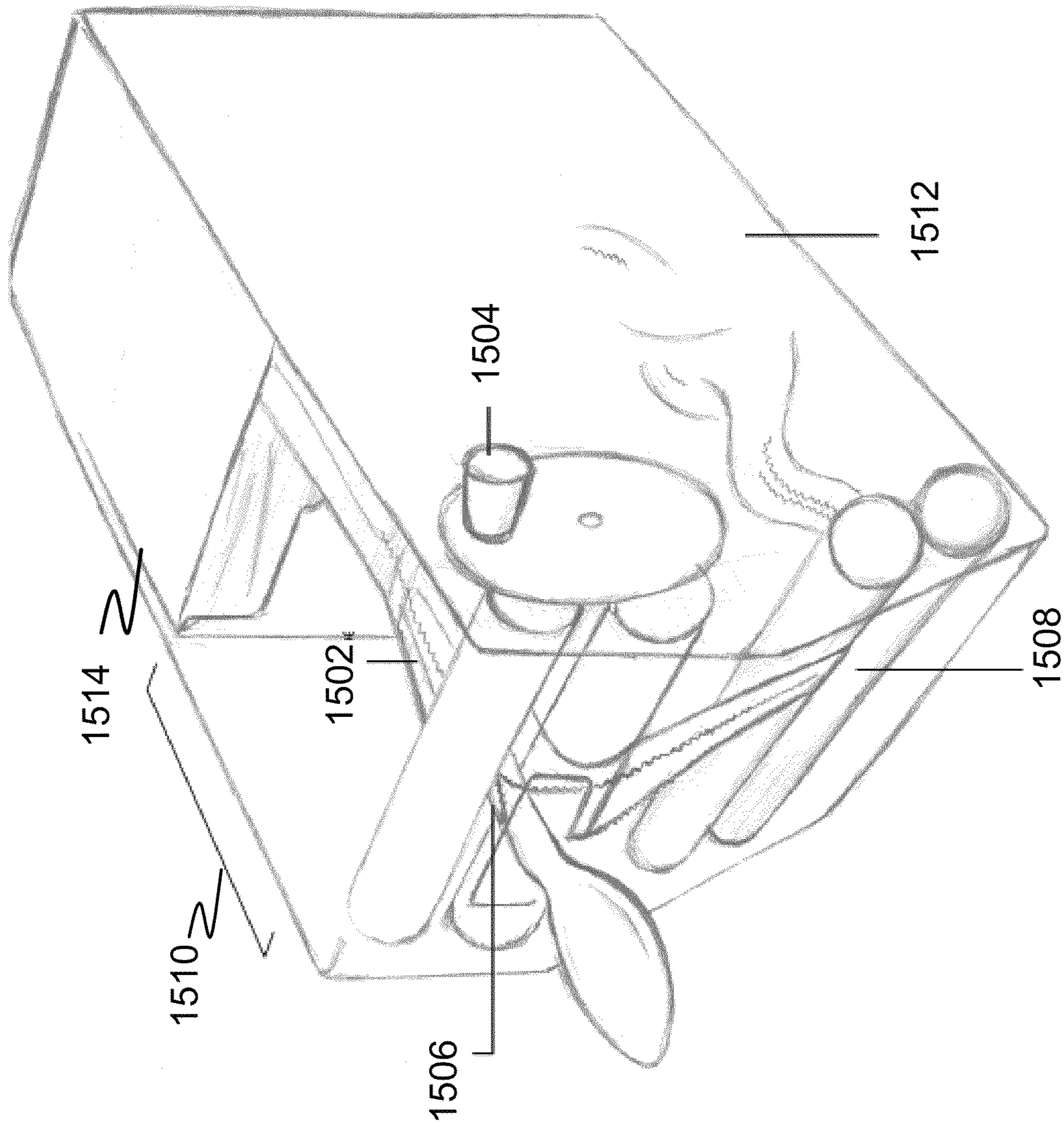


FIG. 15



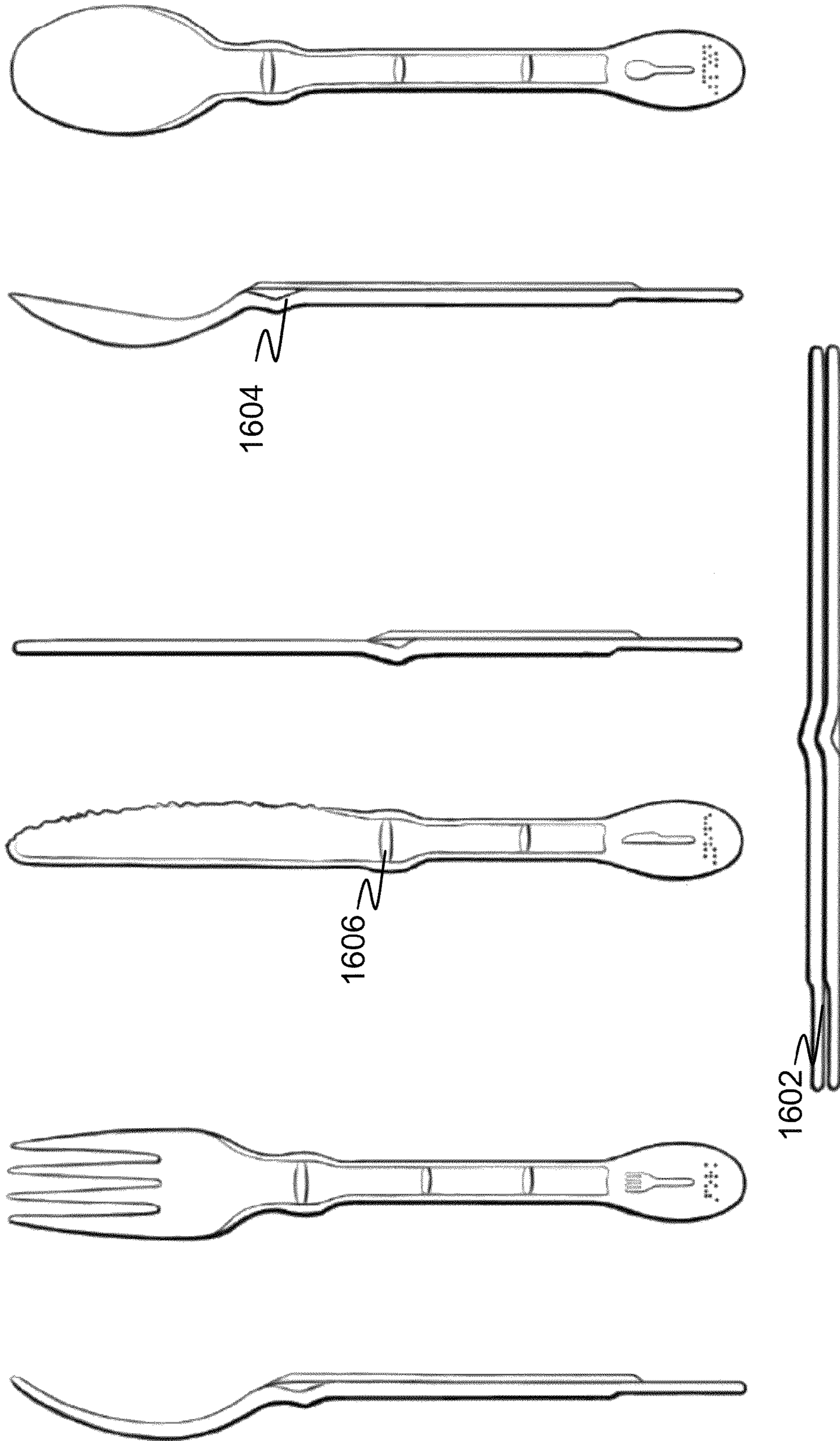
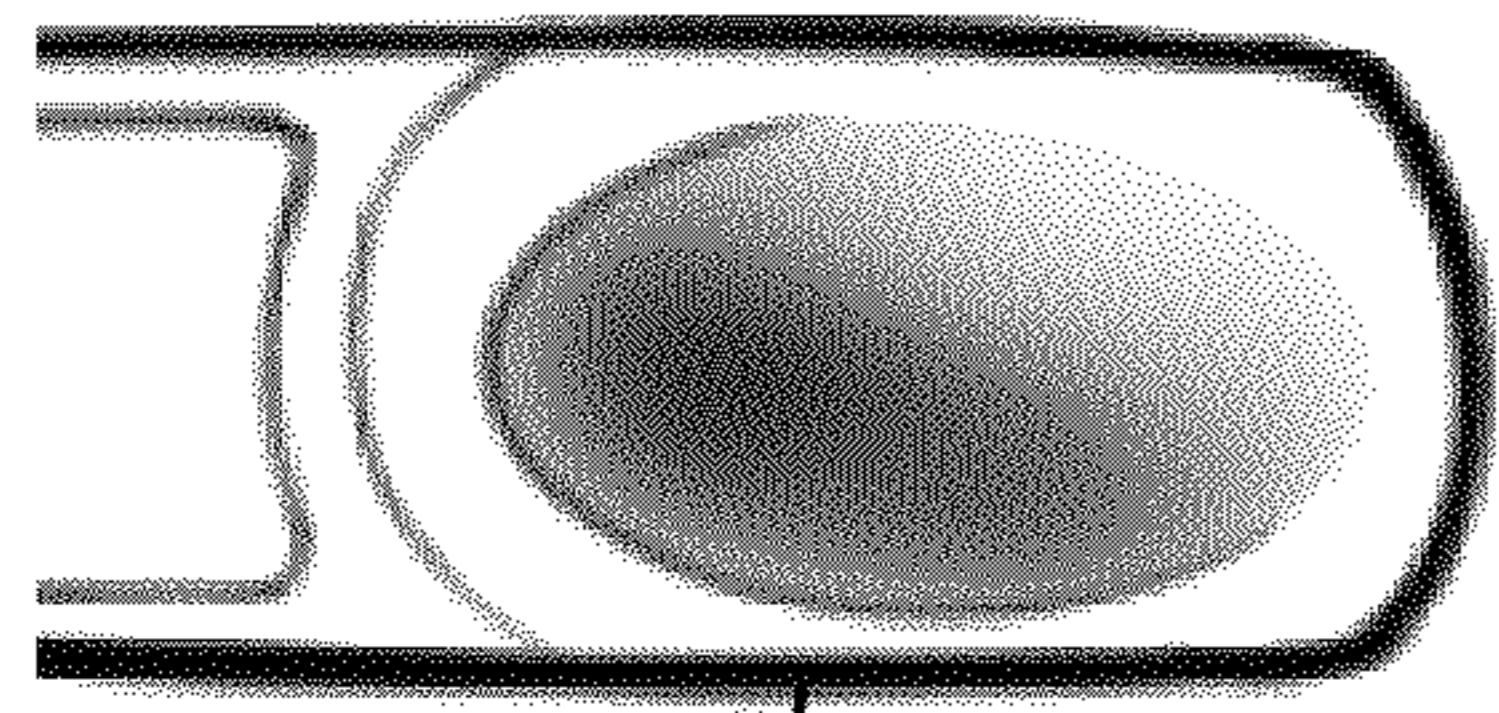
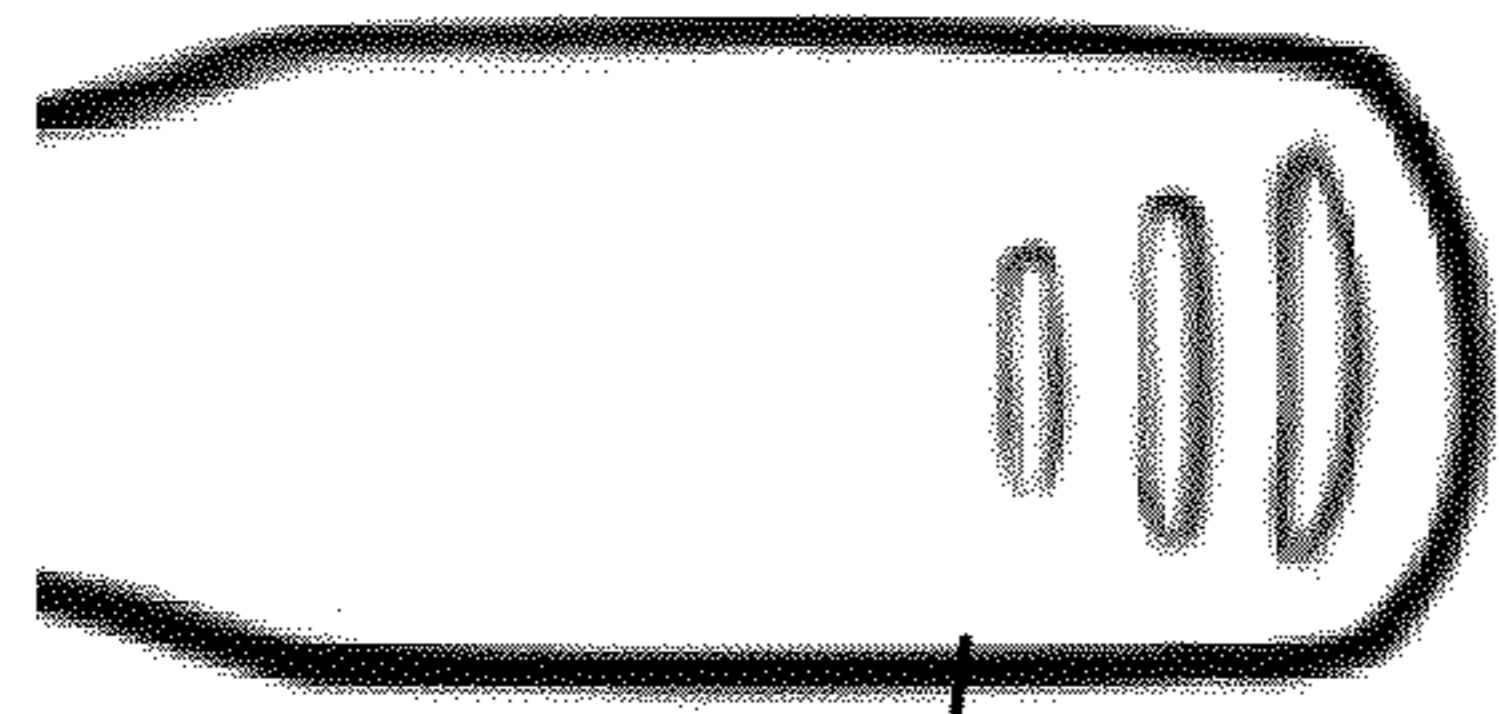


FIG. 16



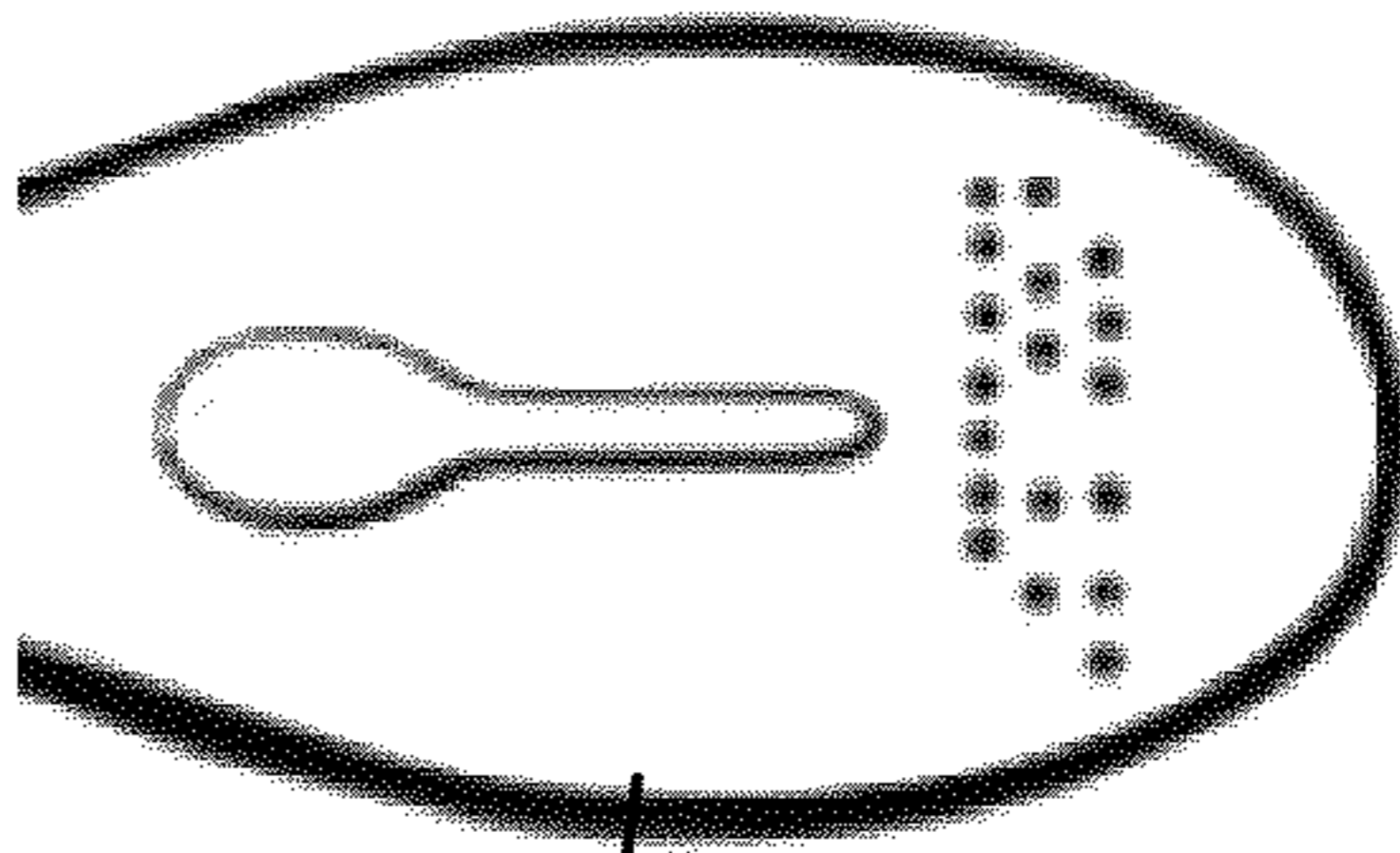
1706



1704



1702



1710



1708

FIG. 17

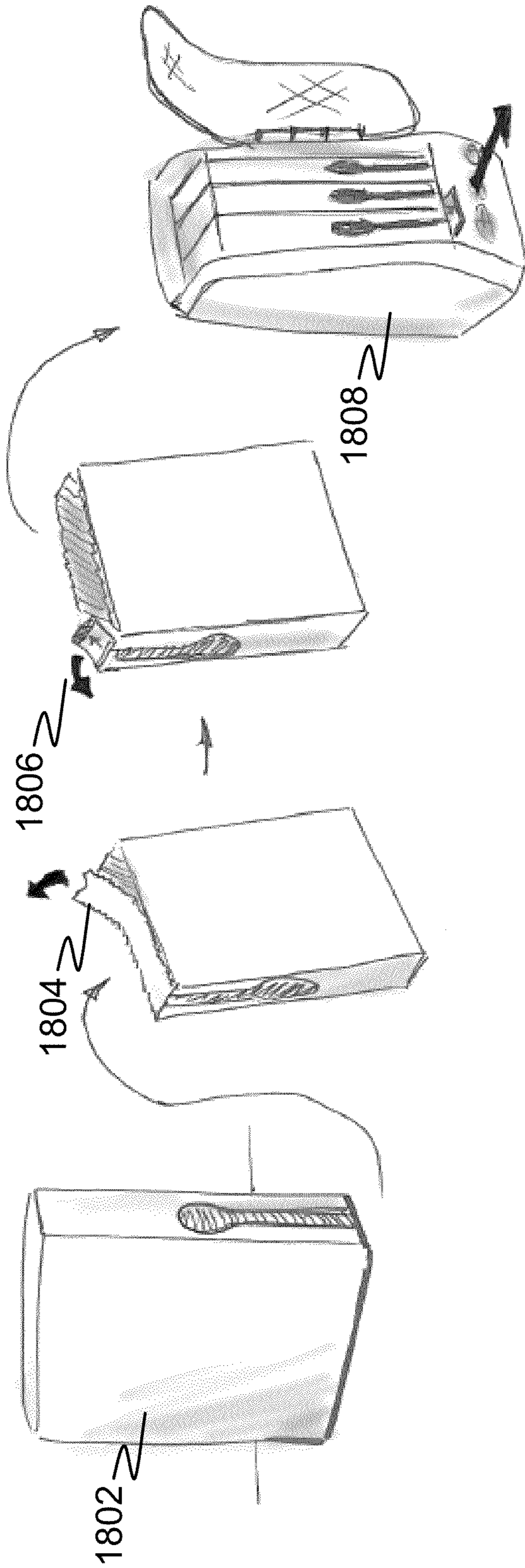


FIG. 18

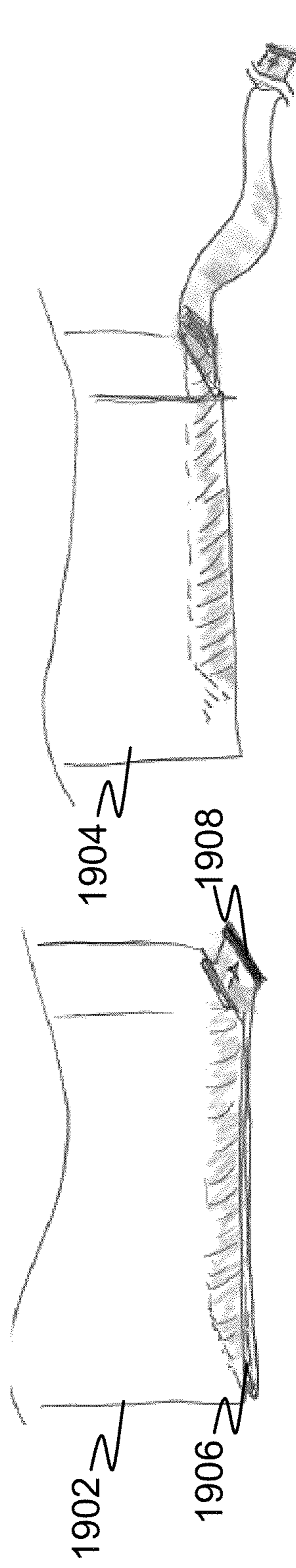


FIG. 19A

FIG. 19B

2000

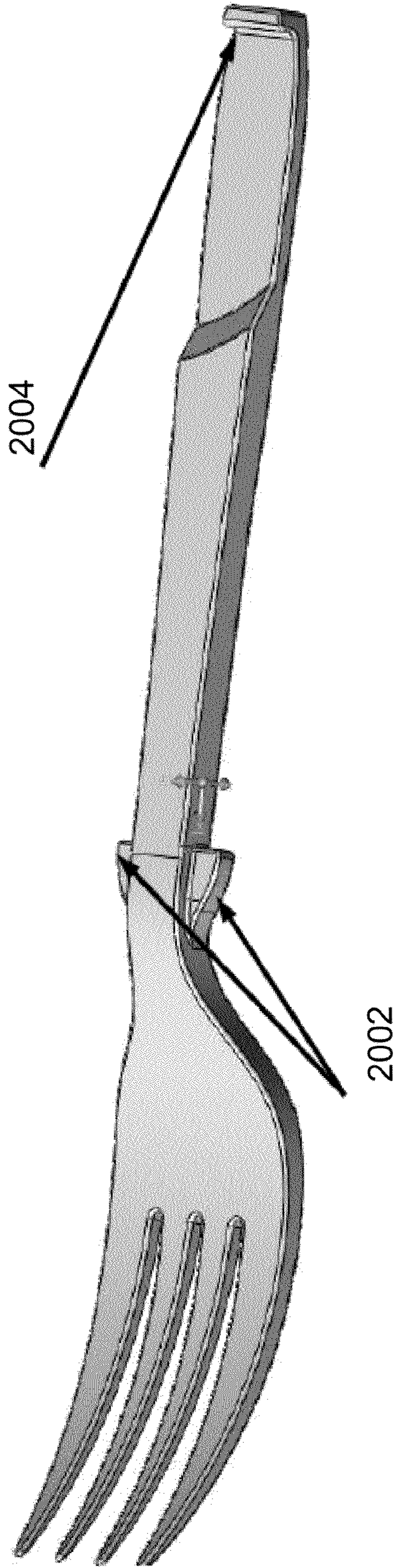


FIG. 20

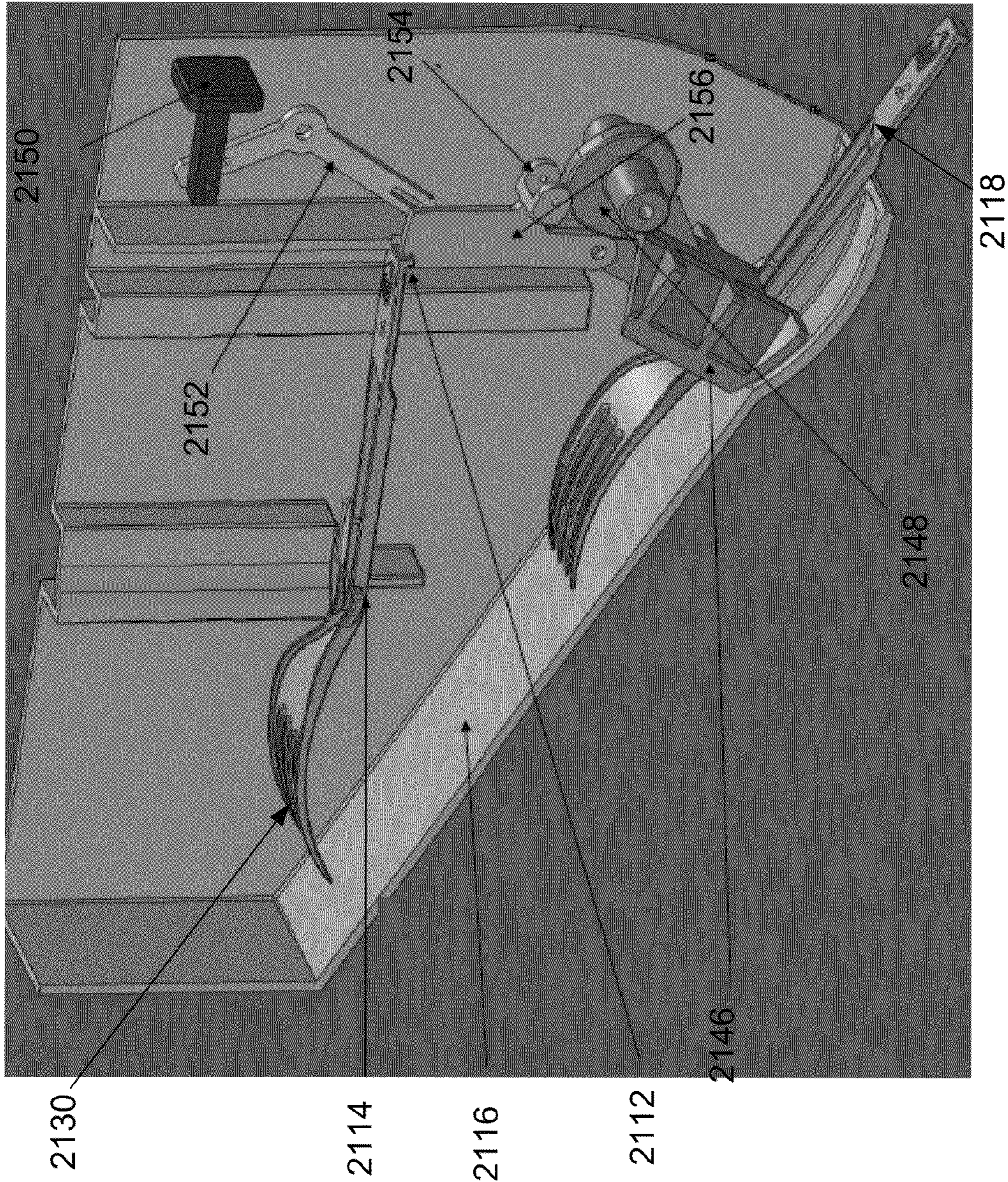


FIG. 21

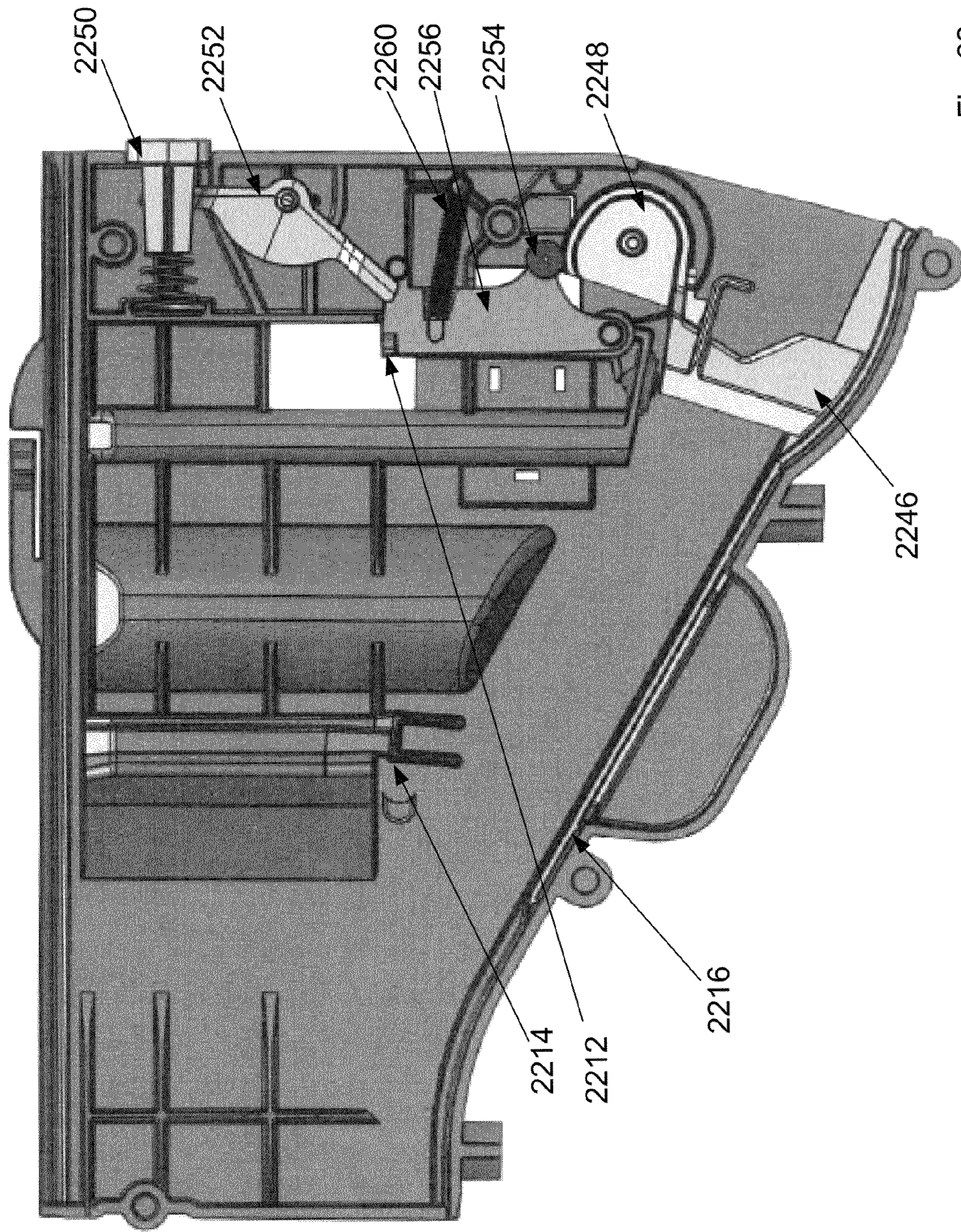


Fig. 22

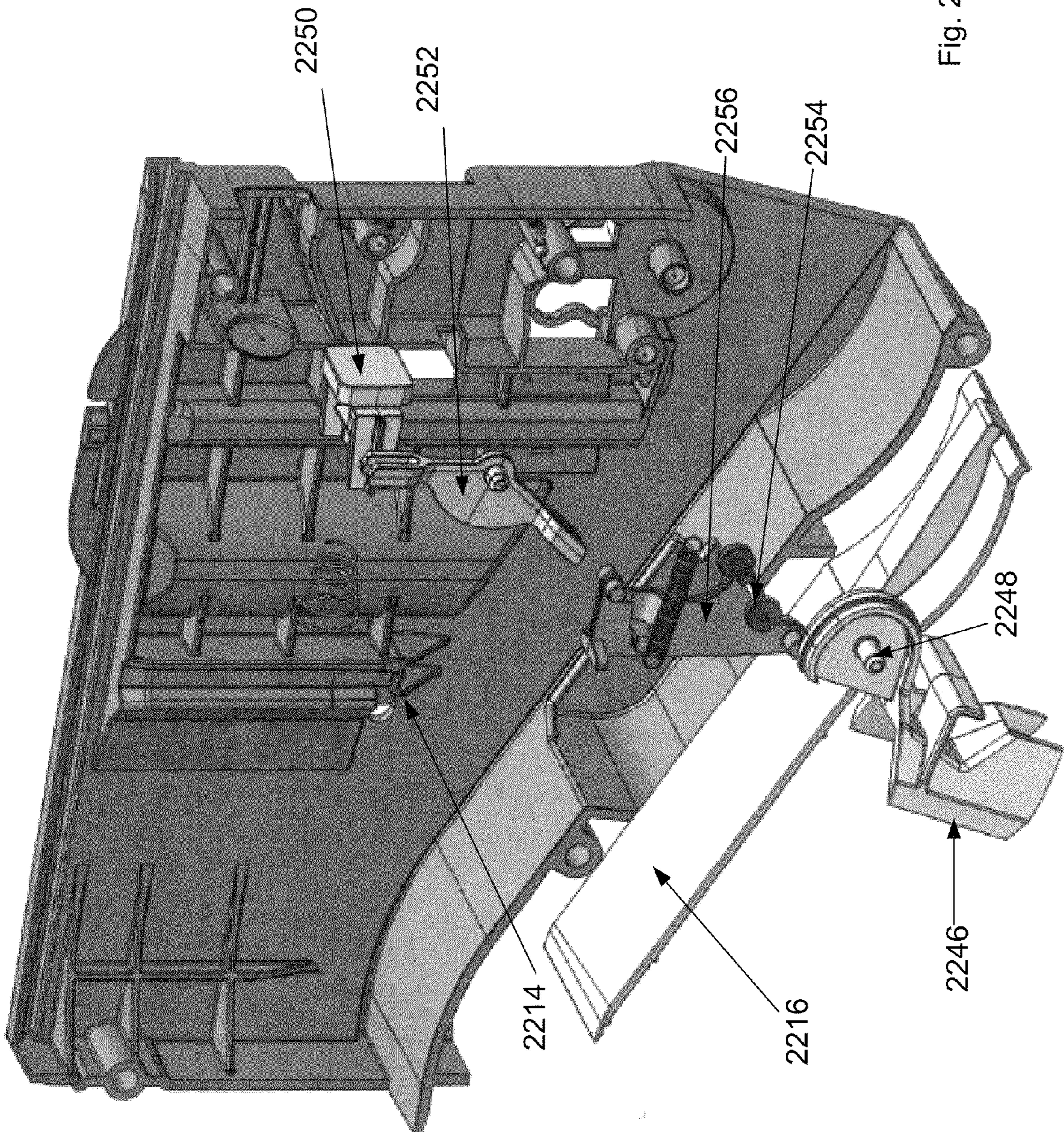


Fig. 23

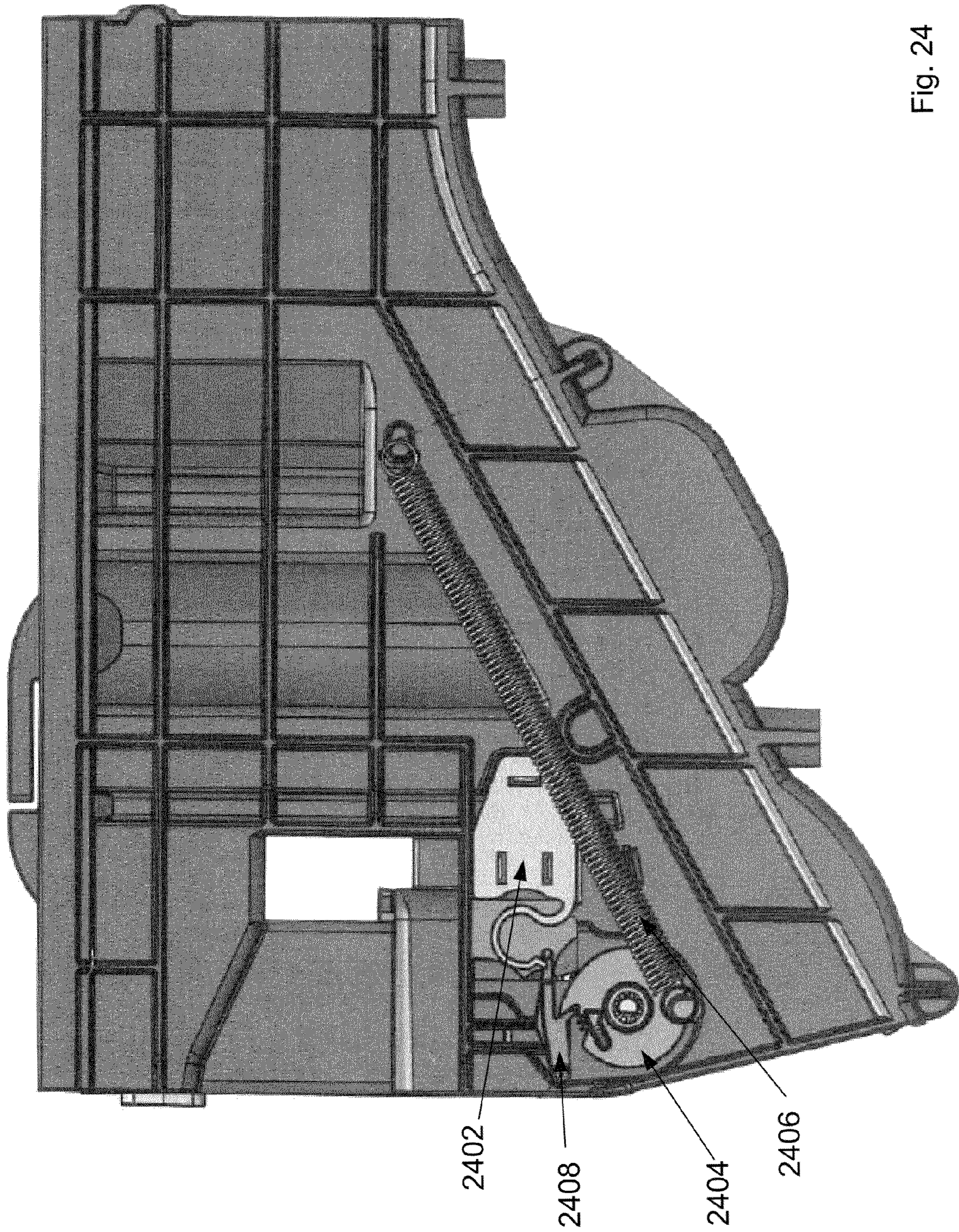


Fig. 24



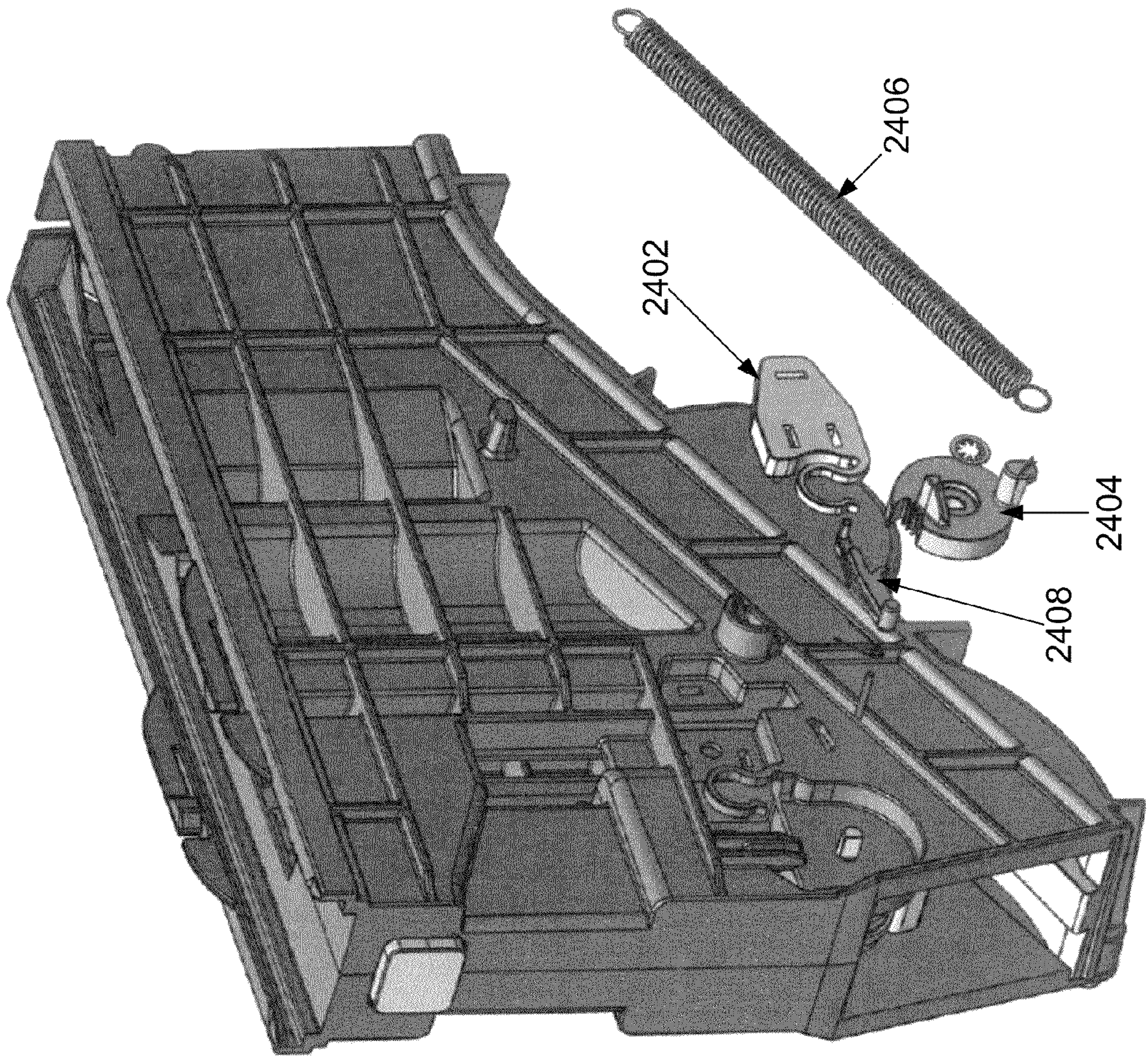


Fig. 25

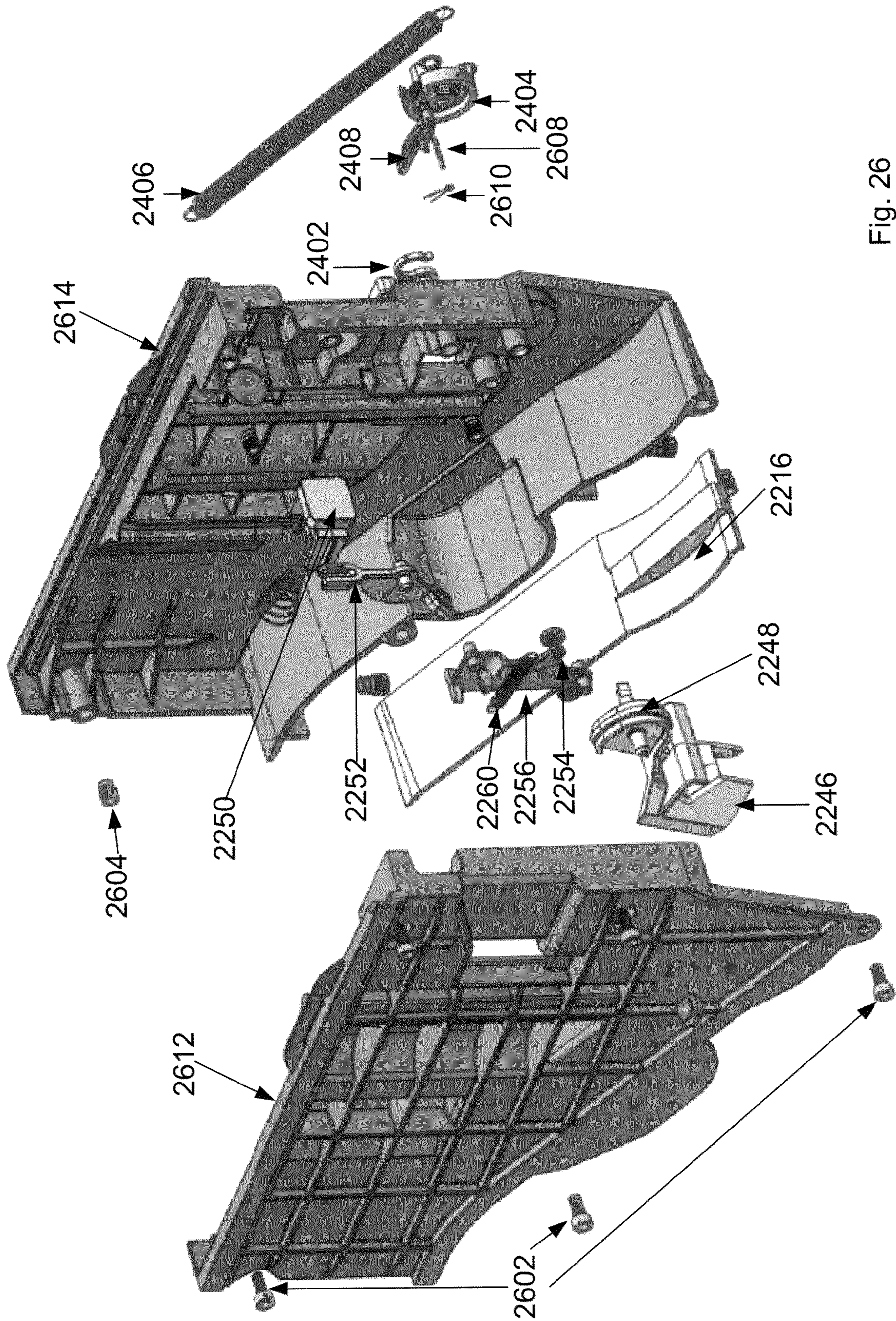


Fig. 26

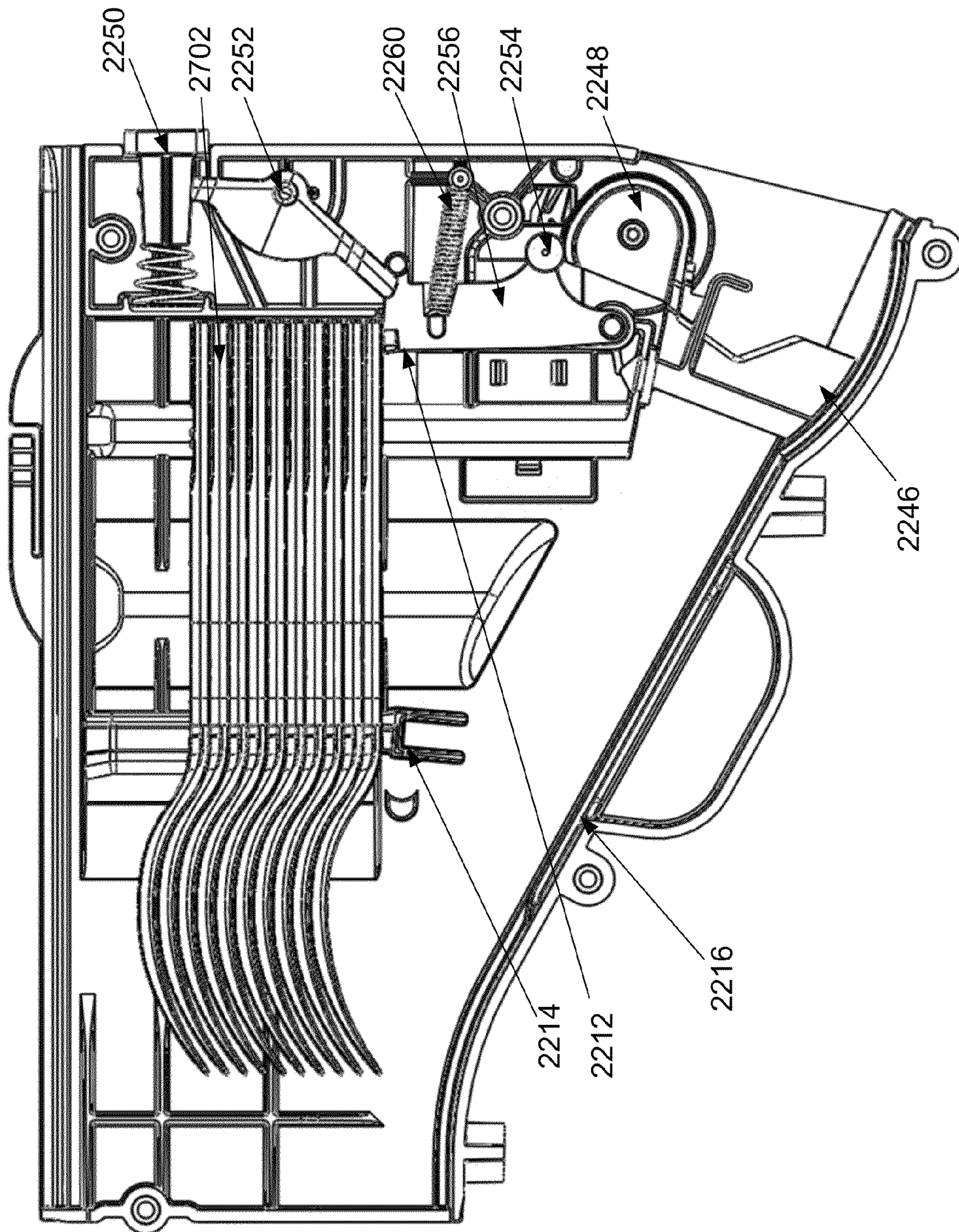


Fig. 27A

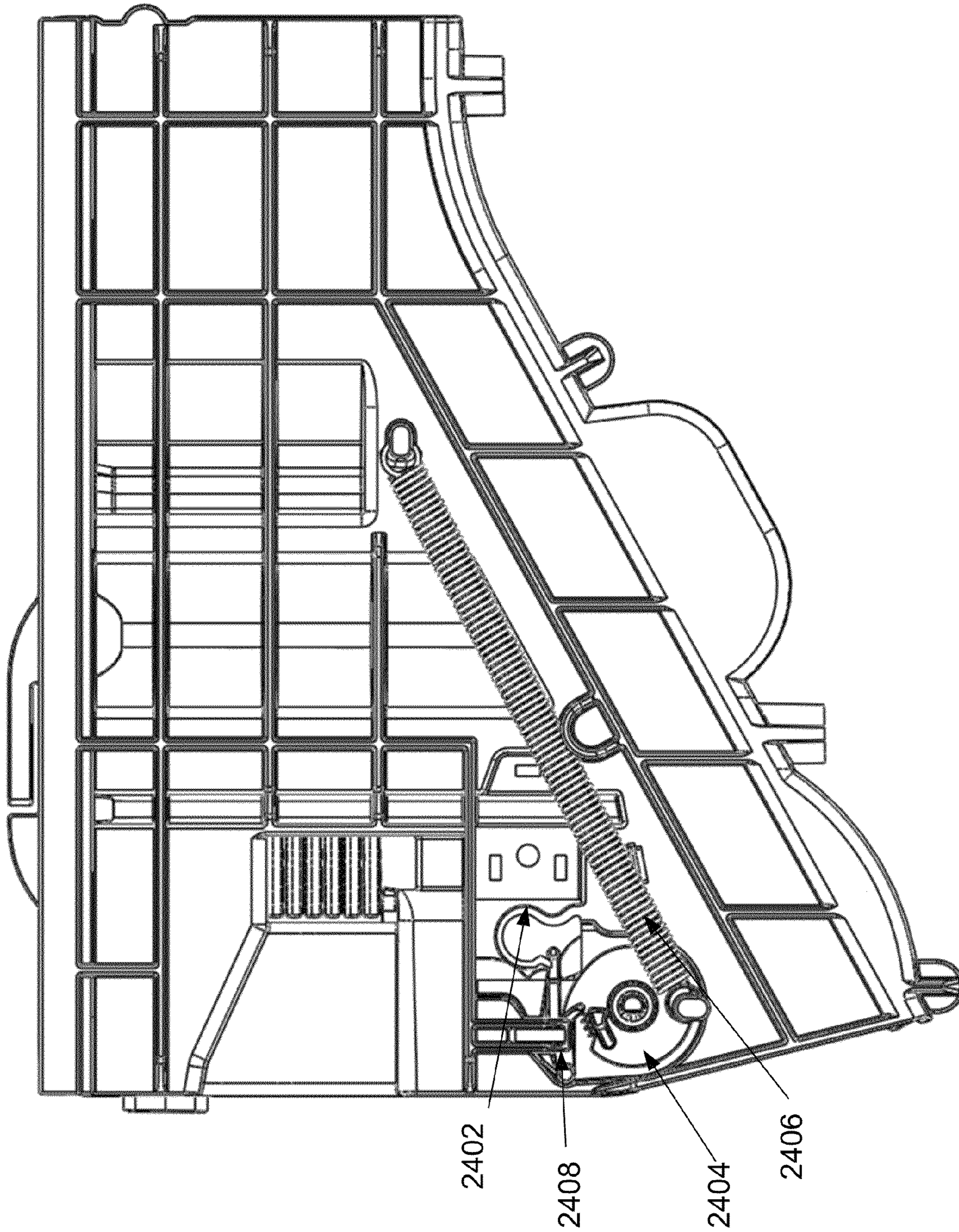


Fig. 27B

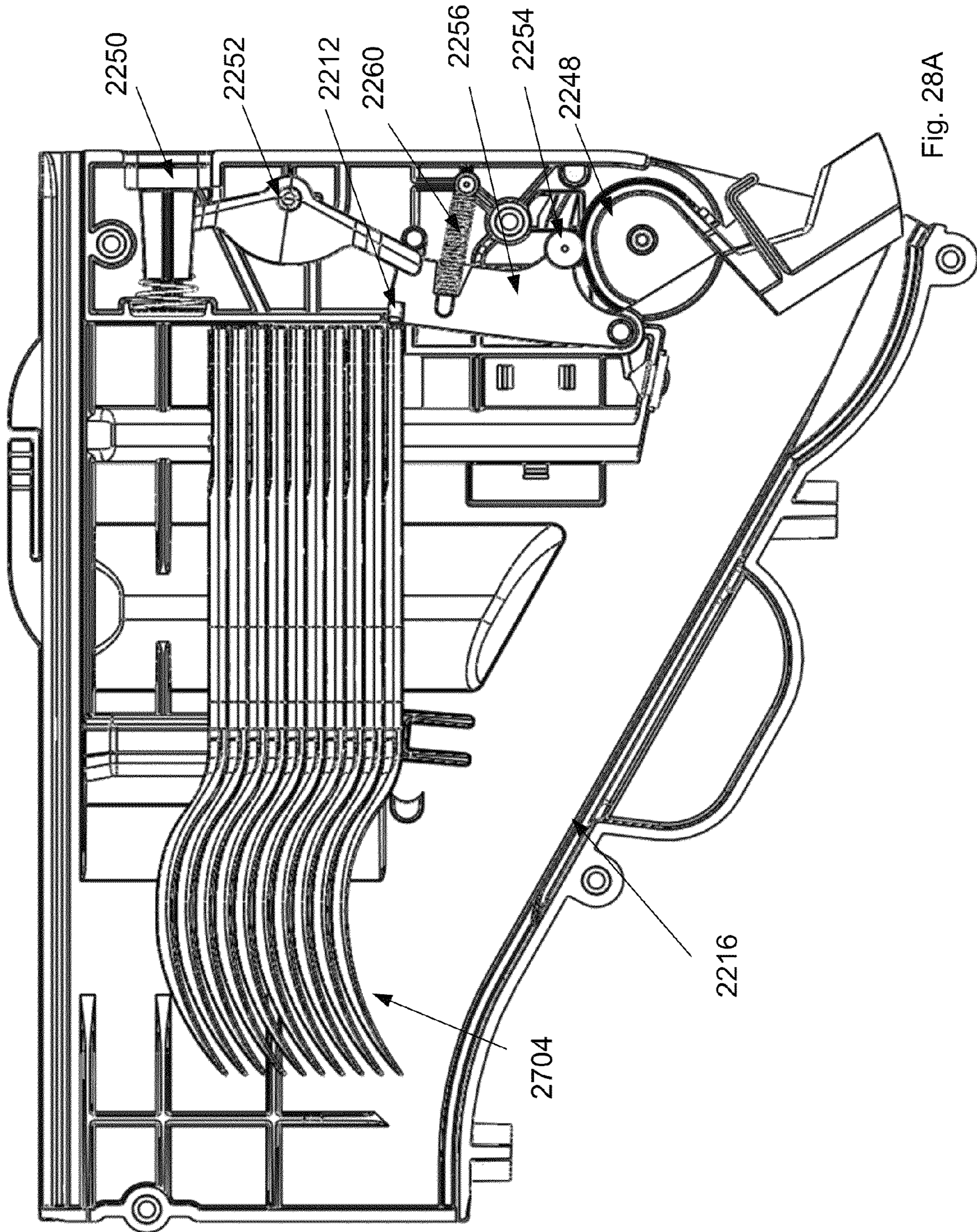


Fig. 28A

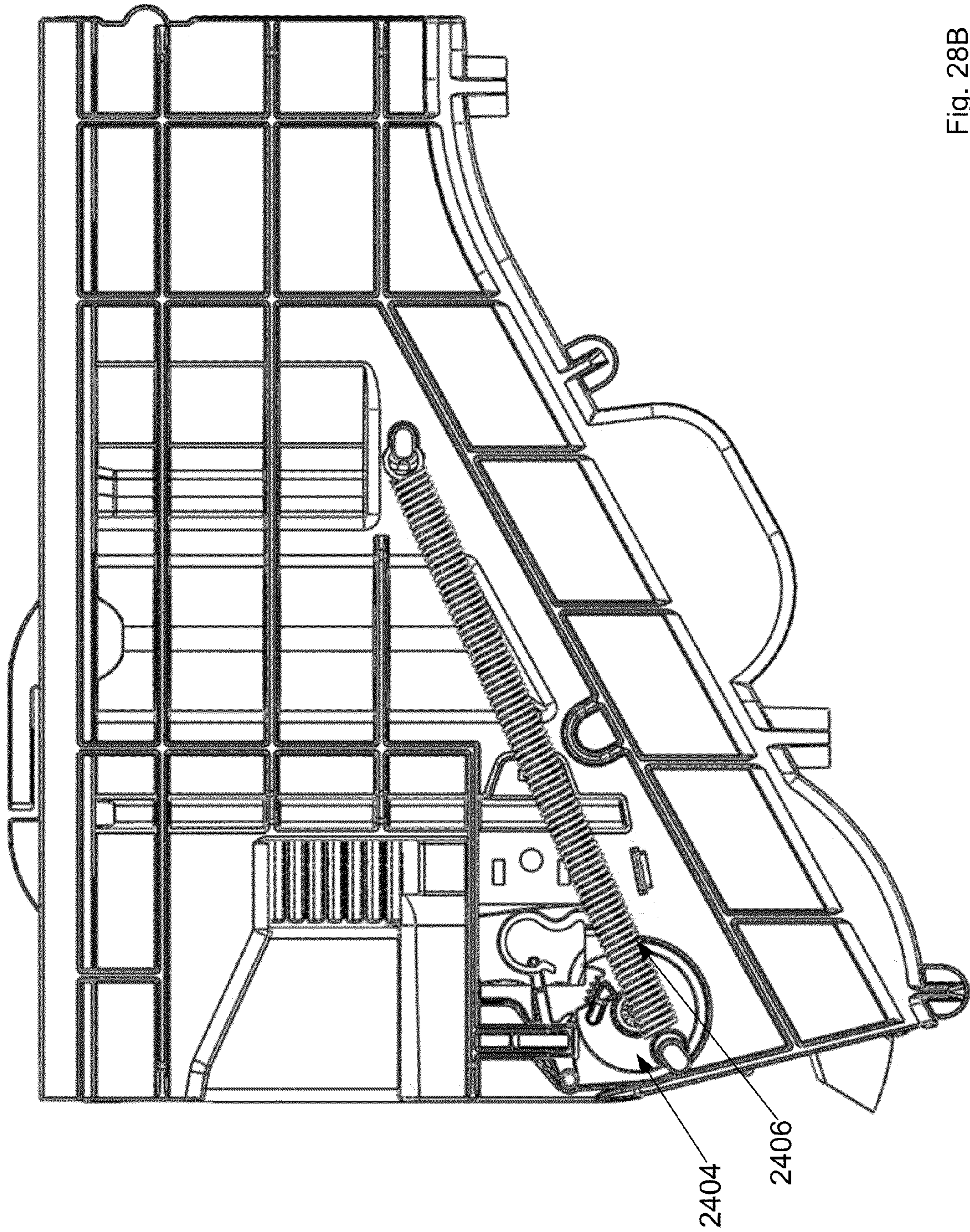


Fig. 28B

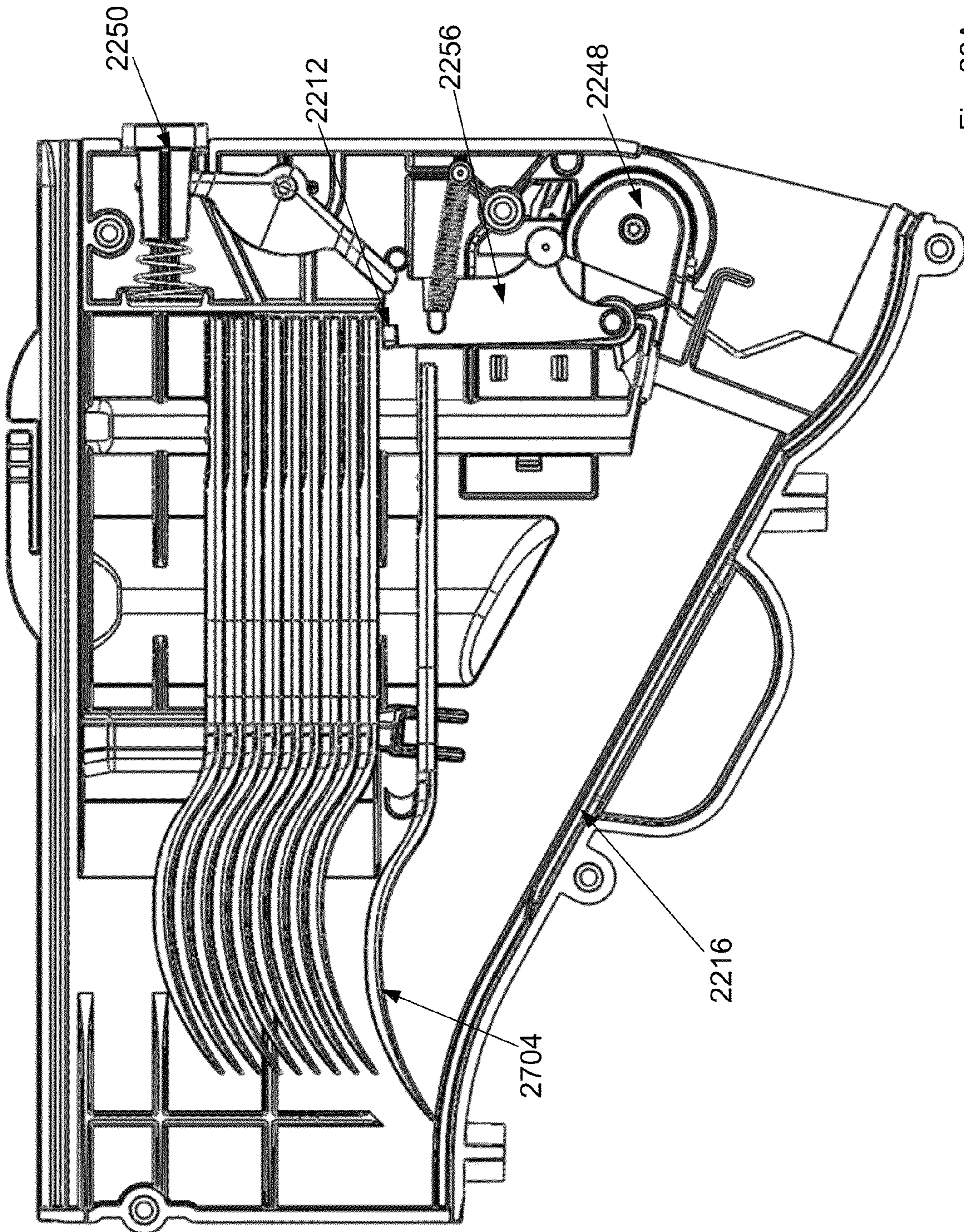


Fig. 29A

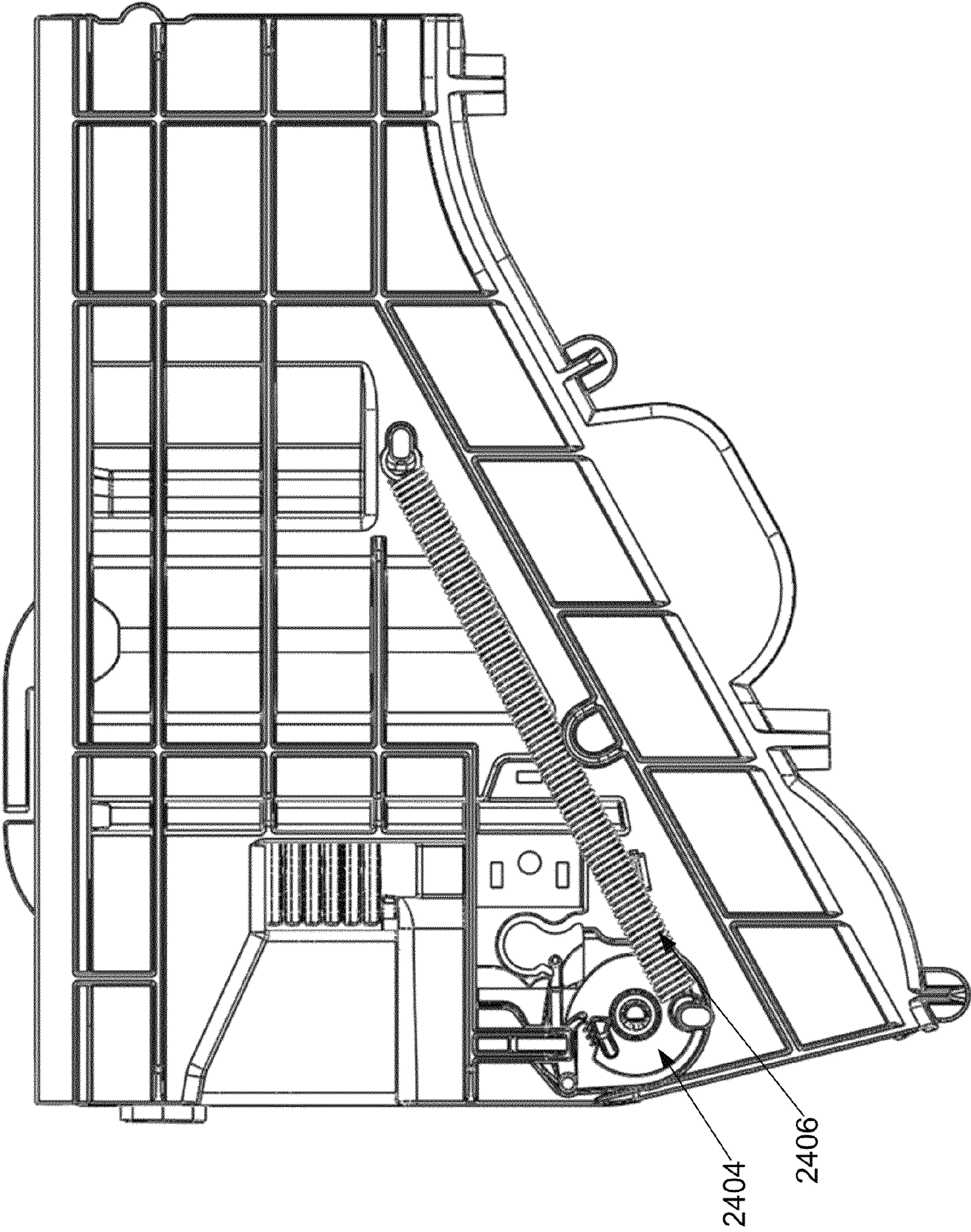


Fig. 29B



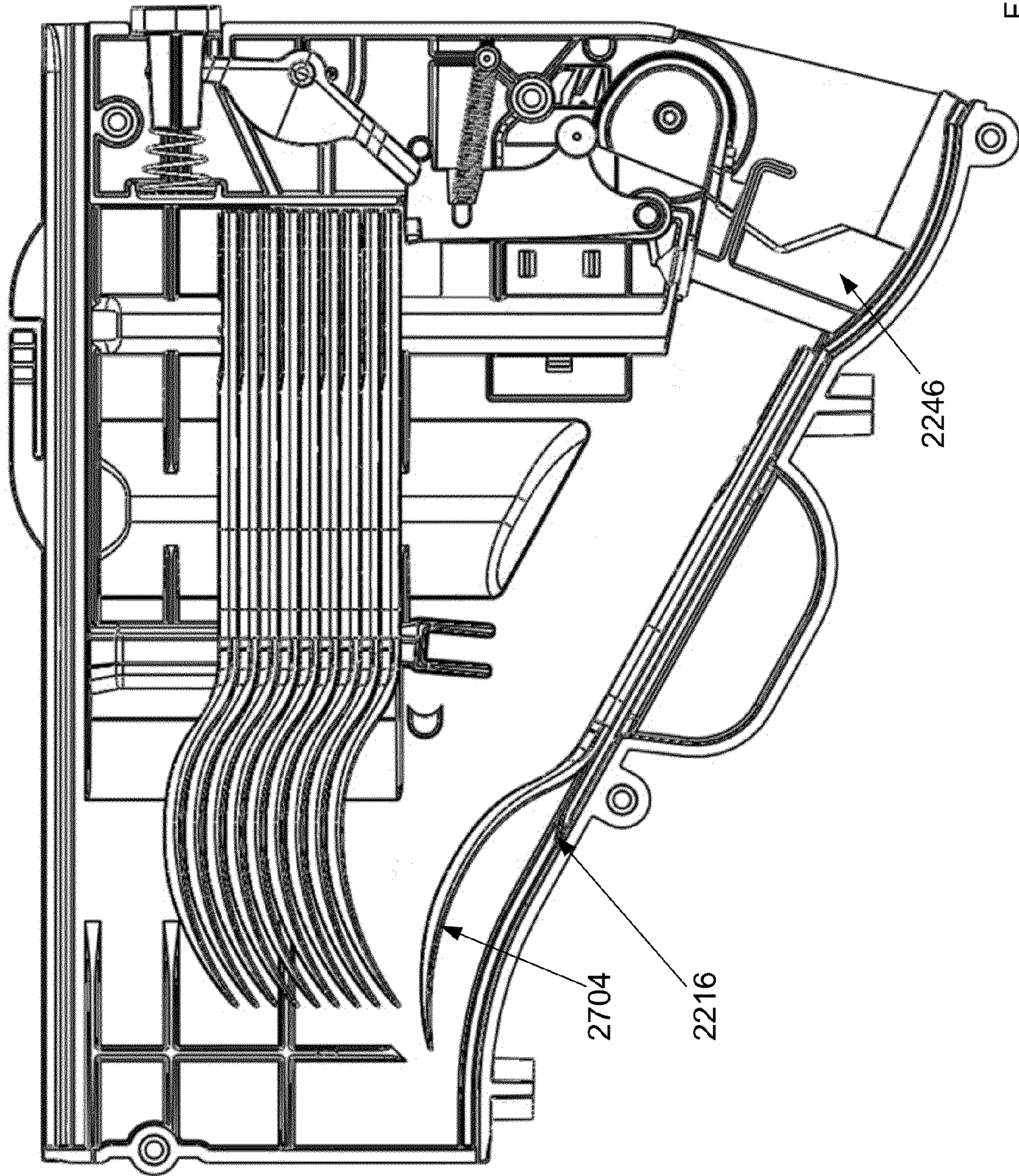


Fig. 30A

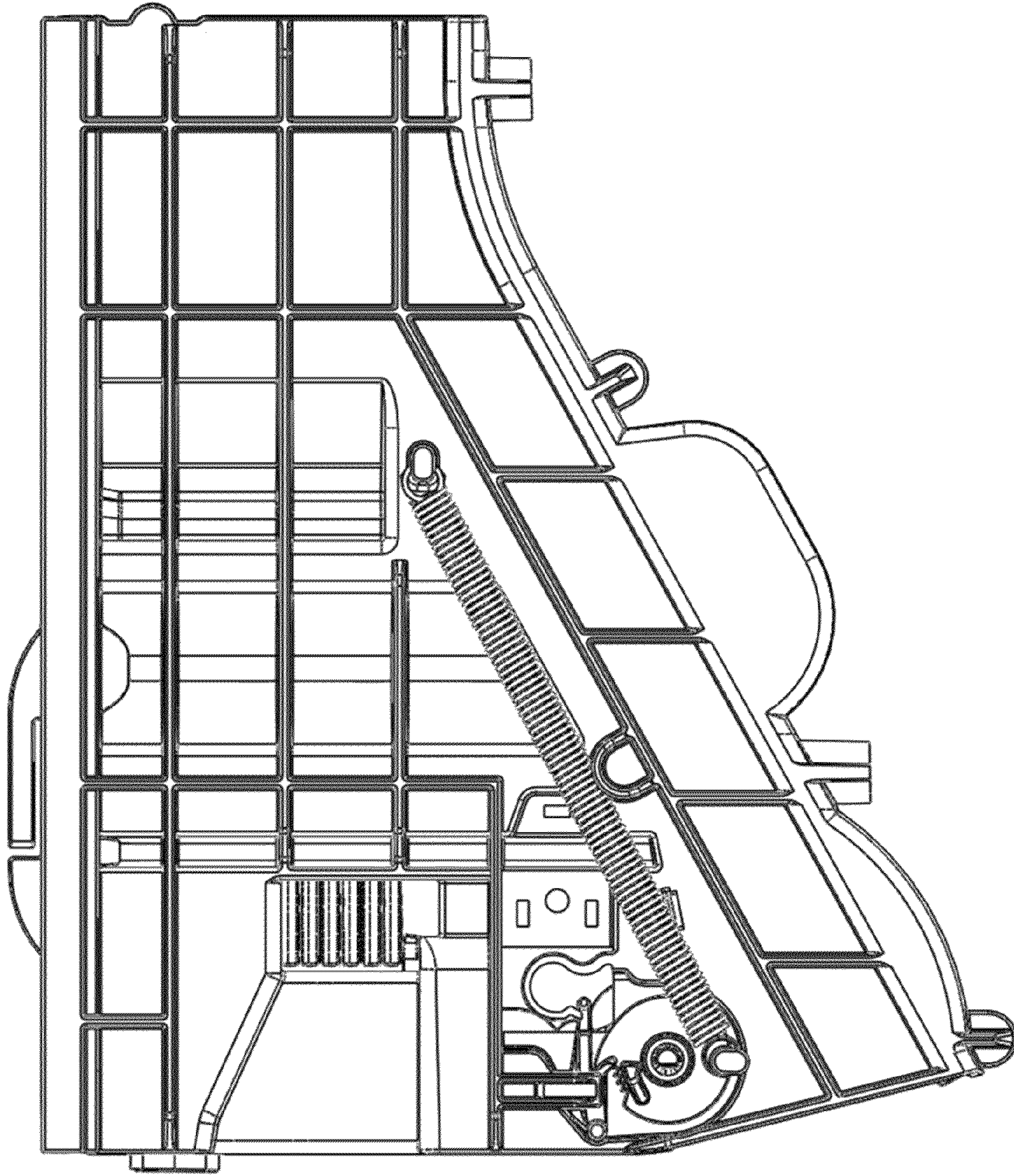


Fig. 30B

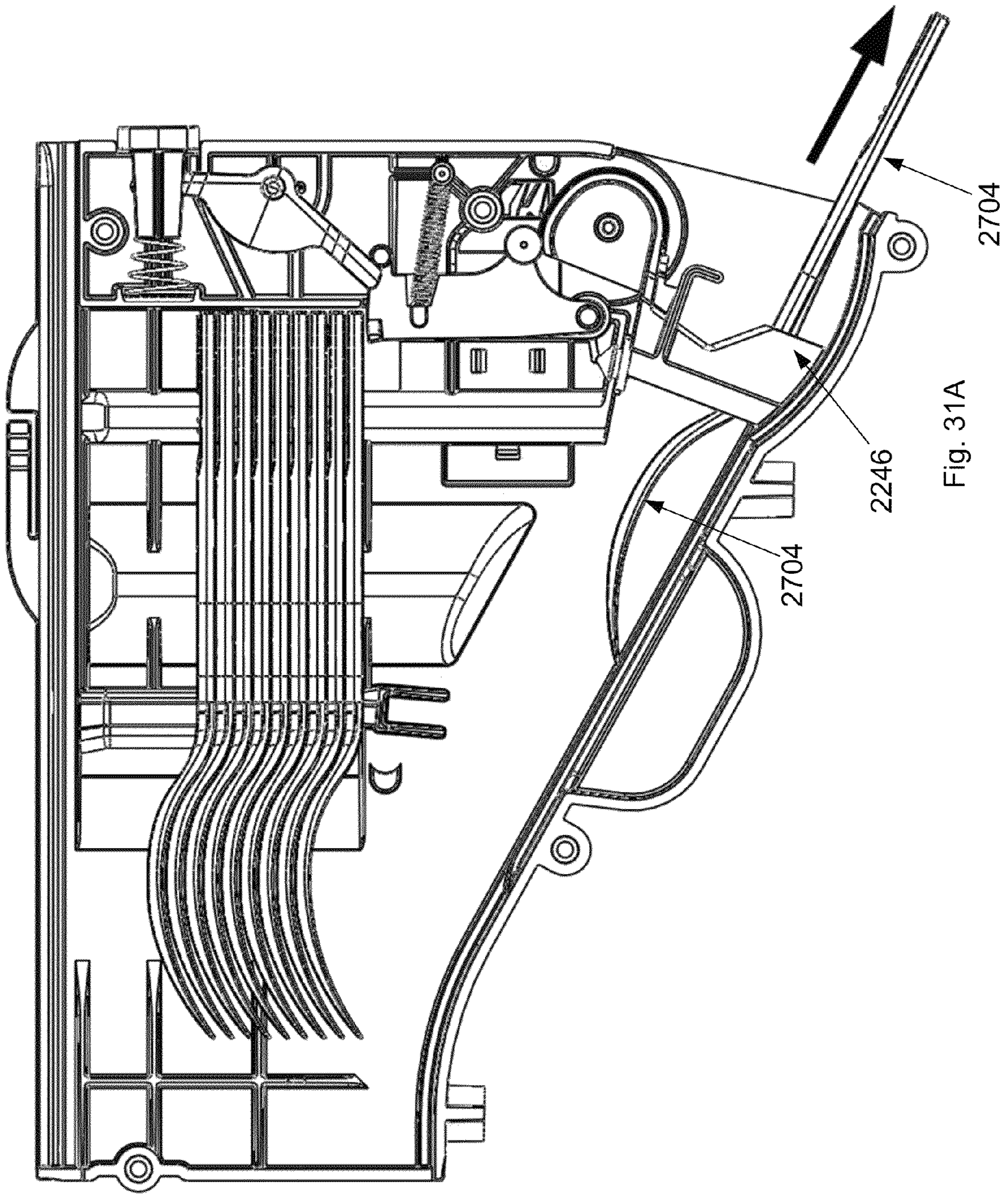
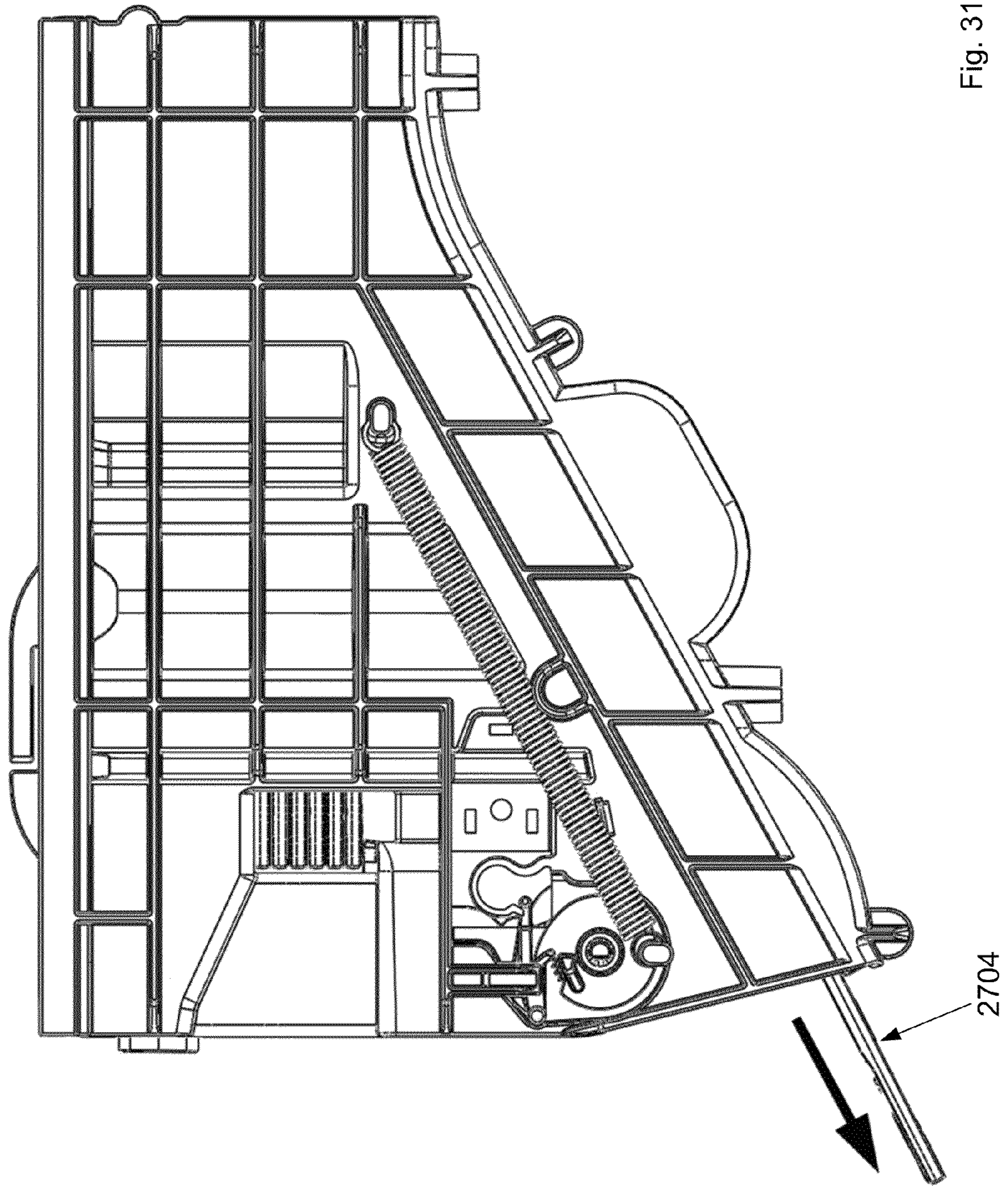


Fig. 31A



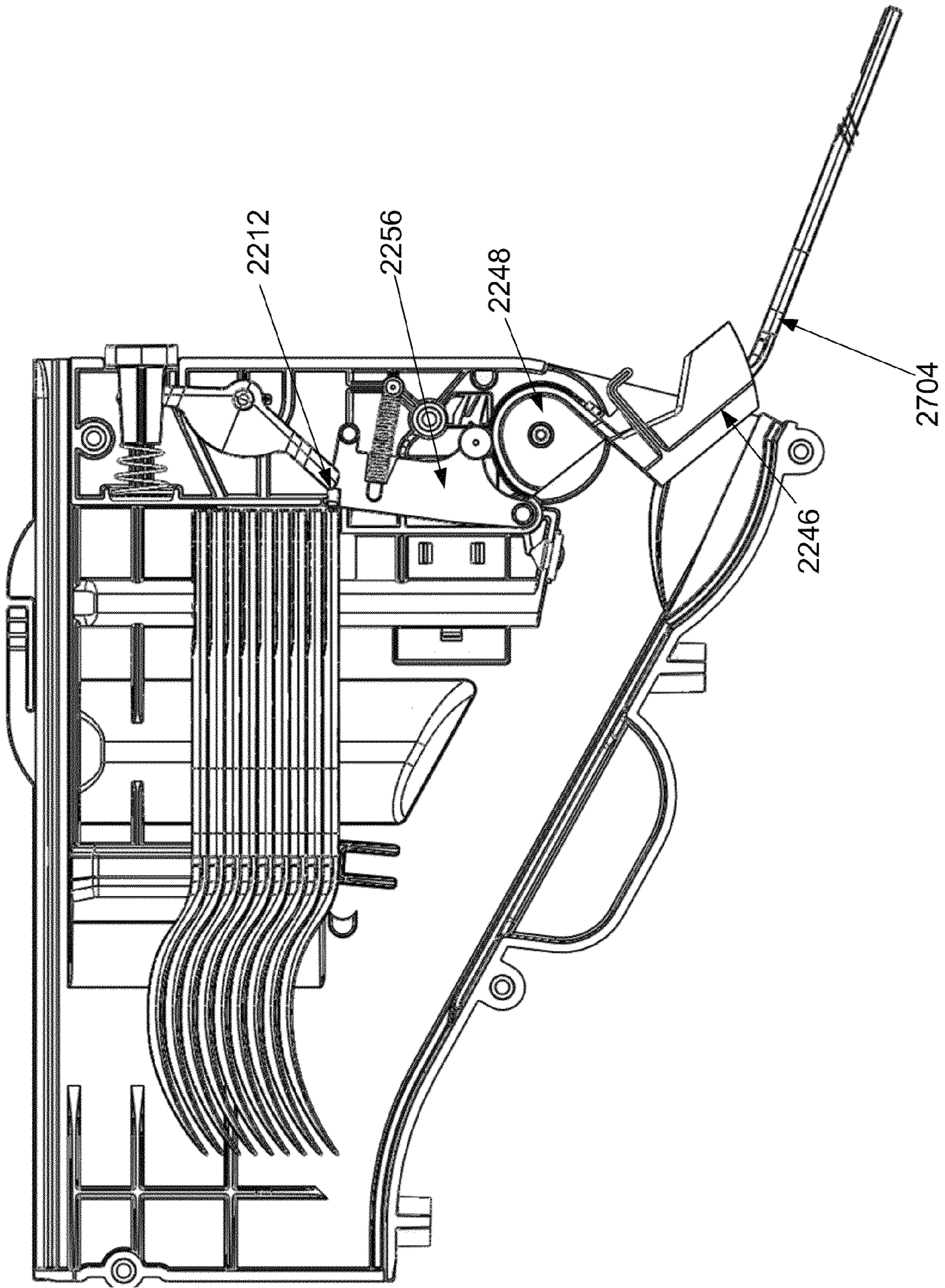


Fig. 32A

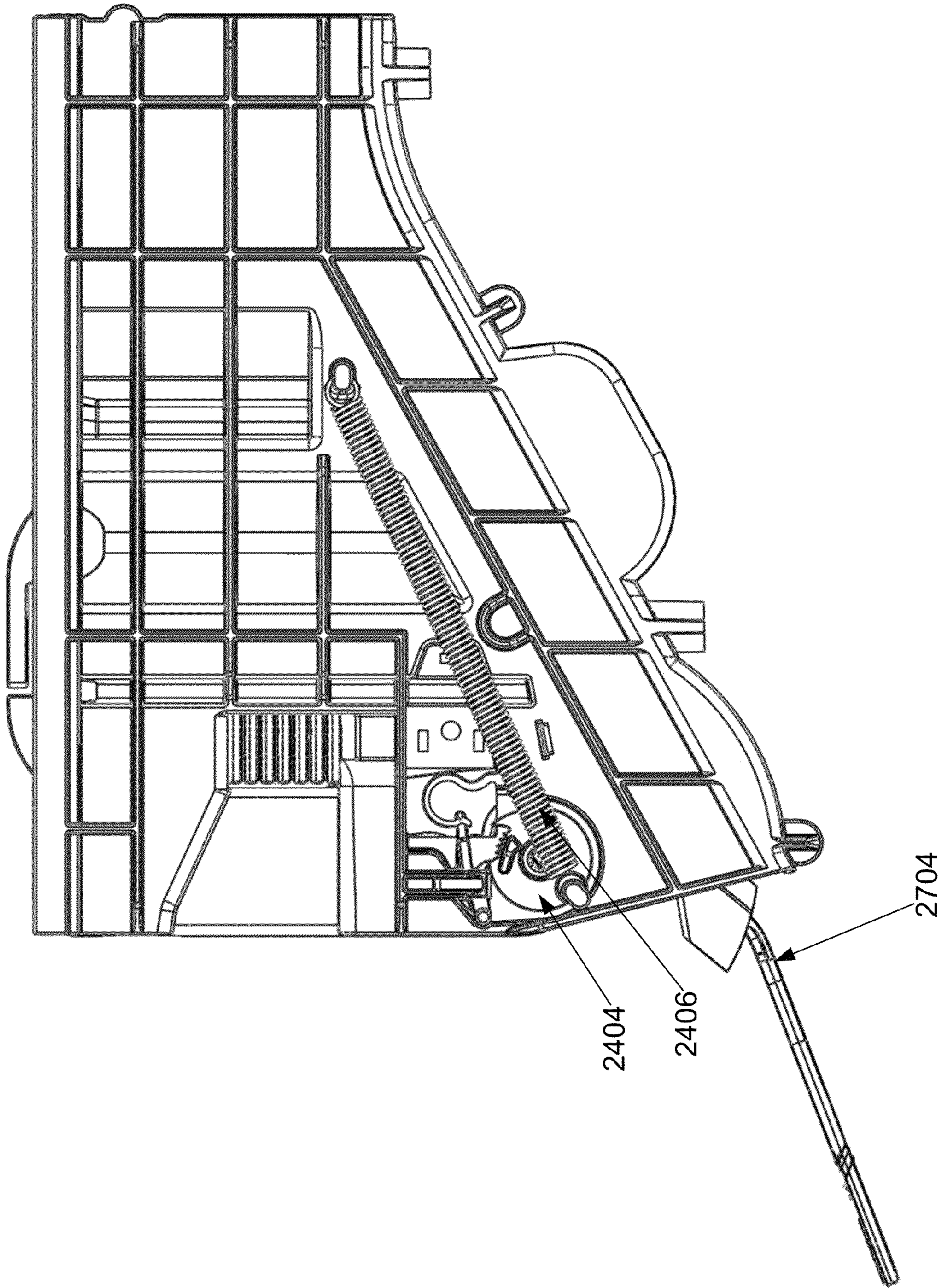


Fig. 32B

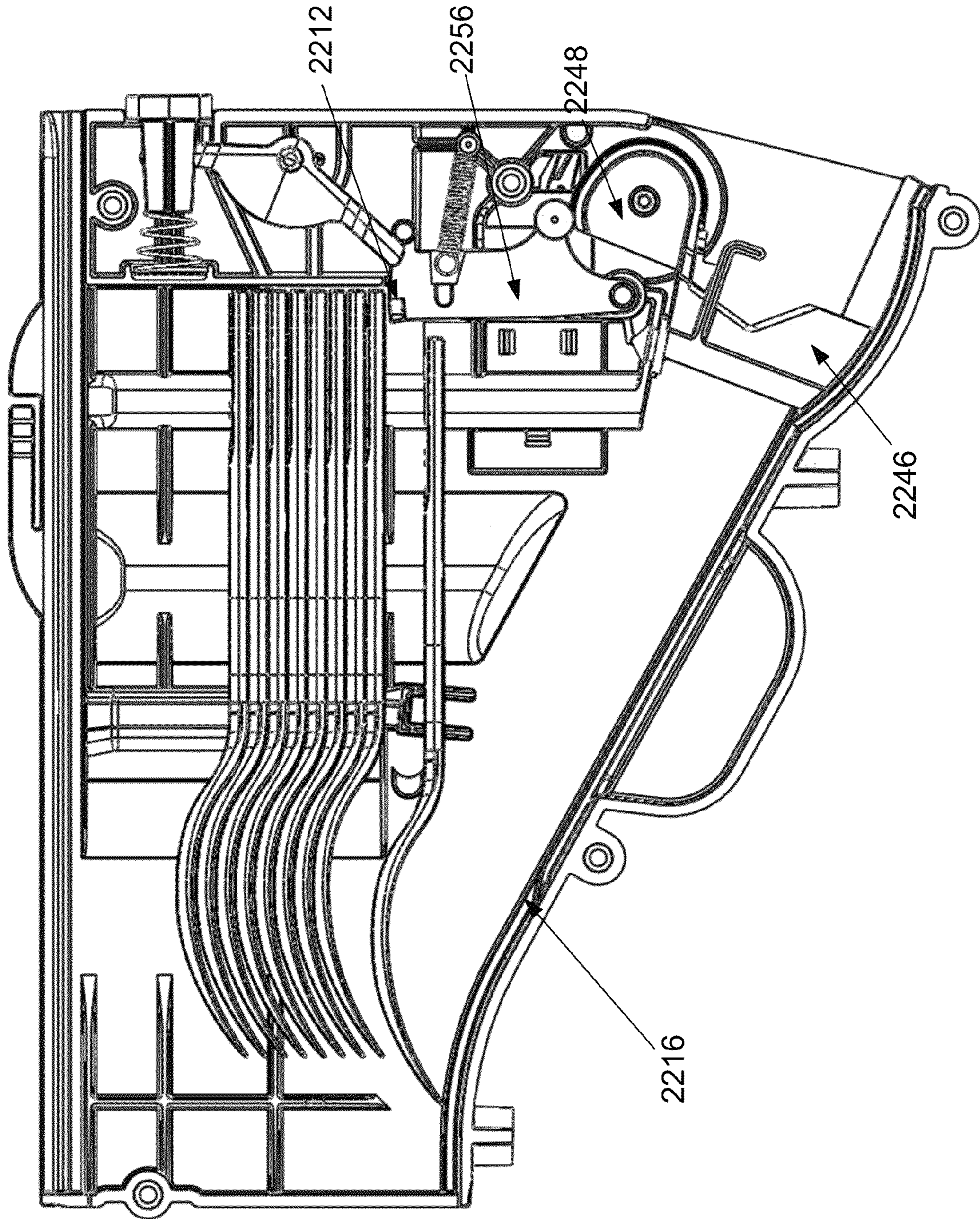


Fig. 33A

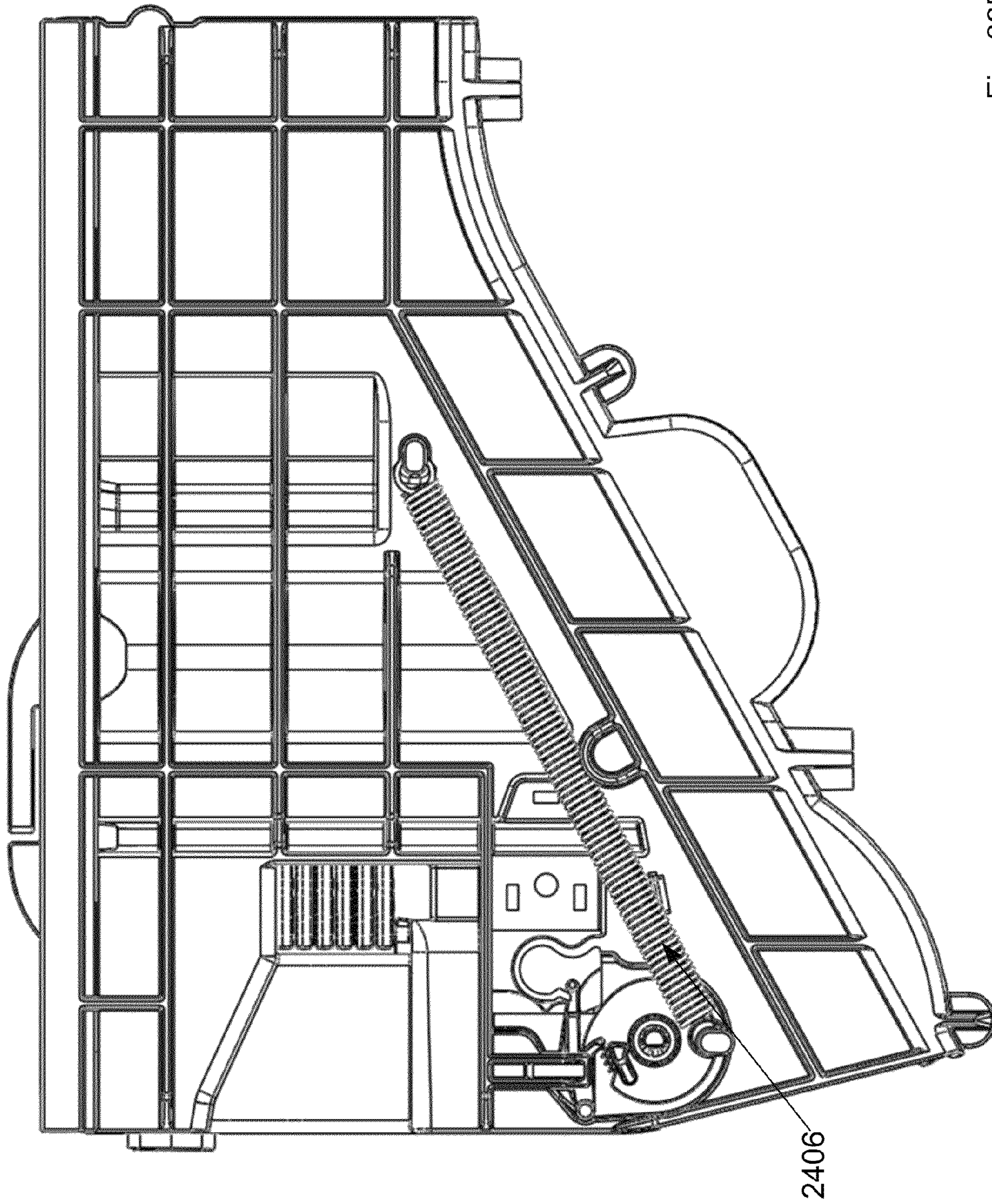


Fig. 33B



## UTENSIL DISPENSER

**Matter enclosed in heavy brackets [ ] appears in the original patent but forms no part of this reissue specification; matter printed in italics indicates the additions made by reissue; a claim printed with strikethrough indicates that the claim was canceled, disclaimed, or held invalid by a prior post-patent action or proceeding.**

## CROSS-REFERENCE TO RELATED APPLICATIONS

This application *is an application for reissue of U.S. Pat. No. 9,049,948, which issued from U.S. application Ser. No. 13/739,820, filed Jan. 11, 2013, which claims [the] benefit of U.S. Provisional Application No. 61/591,611, filed Jan. 27, 2012, which [is] are both incorporated by reference herein in [its] their entirety.*

## BACKGROUND

Many restaurants, food courts, eateries, etc. require the distribution of utensils. Placing a multitude of utensils in a canister is one common way in which utensils are distributed to customers. Utensils distributed in this manner, however, are subject to the environment and can be exposed to germs, dirt, etc. In addition, fitting a maximum number of utensils in each cup can be time consuming.

## SUMMARY

In general, one aspect of the subject matter described in this specification can be embodied in a utensil dispenser that includes a reservoir configured to store a plurality of utensils. The utensil dispenser further includes a rear pedestal configured to contact a rear portion of a next utensil in the plurality of utensil and a front pedestal configured to contact one or more detents in the next utensil. The front pedestal and the rear pedestal are configured to contain the plurality of utensils within the reservoir. A gravity feed ramp is configured to move the next utensil to an access port of the utensil dispenser. The utensil dispenser further includes an actuator operably connected to a drive pin or other drive mechanism. The actuator is configured to halt a dispensing utensil at a ready position based upon contact between the dispensing utensil and the actuator. In the ready position, a handle portion of the dispensing utensil is accessible via the access port. The drive pin or other drive mechanism is configured to contact the next utensil. The actuator is further configured to move the drive mechanism into a release position that moves the next utensil to clear the front pedestal to release the next utensil from the reservoir onto the gravity feed ramp when the dispensing utensil is dispensed. Other implementations of a utensil dispenser are also described herein.

## BRIEF DESCRIPTION OF THE DRAWINGS

The details of one or more implementations of the subject matter described in this specification are set forth in the accompanying drawings and the description below. Other features, aspects, and advantages of the subject matter will become apparent from the description, the drawings, and the claims.

FIG. 1A is a front perspective view of a utensil dispenser in accordance with an illustrative implementation.

FIG. 1B is a right side plane view of the utensil dispenser of FIG. 1A in accordance with an illustrative implementation.

FIG. 1C is a rear perspective view of the utensil dispenser of FIG. 1A in accordance with an illustrative implementation.

FIG. 1D is a front perspective view of the utensil dispenser of FIG. 1A in accordance with an illustrative implementation.

FIG. 1E is a front perspective view of three utensil dispensers in accordance with an illustrative implementation.

FIG. 2 is a front perspective view of an open utensil dispenser and cartridge in accordance with an additional implementation.

FIGS. 3A-3C are detailed portions of a utensil dispenser in accordance with another implementation.

FIG. 4 is a right side plane view and expanded detailed view of stacked utensils in accordance with an additional illustrative implementation.

FIG. 5 is a right side plane view and expanded detailed view of stacked utensils in accordance with another illustrative implementation.

FIG. 6 is a view of various features of utensils in accordance with an additional illustrative implementation.

FIGS. 7A-7E are cross sectional views of a utensil dispenser in accordance with an additional illustrative implementation showing a utensil moving from a reservoir to a ready position.

FIGS. 8A-8E are cross sectional views of a utensil dispenser in accordance with another illustrative implementation showing a utensil moving from a reservoir to a ready position.

FIGS. 9A-9E are cross sectional views of a utensil dispenser in accordance with an additional illustrative implementation showing a utensil moving from a reservoir to a ready position.

FIG. 10 is a cross sectional view of a utensil dispenser in accordance with another illustrative implementation.

FIG. 11 is a multi-view illustration of a utensil dispenser in accordance with an additional illustrative implementation.

FIG. 12 is a multi-view illustration of a utensil dispenser in accordance with another illustrative implementation.

FIG. 13 is a multi-view illustration of a utensil dispenser in accordance with an additional illustrative implementation.

FIG. 14 is a front perspective view of a utensil dispenser in accordance with another illustrative implementation.

FIG. 15 is a front perspective view of a utensil dispenser in accordance with an additional illustrative implementation.

FIG. 16 is a view of utensils for use in a utensil dispenser in accordance with another illustrative implementation.

FIG. 17 is a view of handles of utensils for use in a utensil dispenser in accordance with an additional illustrative implementation.

FIG. 18 is a flow-illustration of loading a utensil dispenser in accordance with another illustrative implementation.

FIGS. 19A-19B illustrate opening a cartridge of utensils for use in a utensil dispenser in accordance with an additional illustrative implementation.

FIG. 20 illustrates a perspective view a fork for use in a utensil dispenser in accordance with another illustrative implementation.

FIG. 21 illustrates a cross sectional view of a utensil dispenser in accordance with an additional illustrative implementation.

FIG. 22 illustrates a cross section view of a utensil dispenser in accordance with an additional illustrative implementation.

FIG. 23 illustrates an exploded view of an internal portion of a reservoir of the utensil dispenser of FIG. 22.

FIG. 24 illustrates a portion of a reservoir of the utensil dispenser of FIG. 22.

FIG. 25 illustrates an exploded view of an external portion of a reservoir of the utensil dispenser of FIG. 22.

FIG. 26 illustrates an exploded view of the utensil dispenser of FIG. 22.

FIGS. 27A-33A illustrate a front perspective view of the utensil dispenser of FIG. 22.

FIGS. 27B-33B illustrate a rear perspective view of the utensil dispenser of FIG. 22.

Like reference numbers and designations in the various drawings indicate like elements.

#### DETAILED DESCRIPTION

FIGS. 1A-1D are various views of a utensil dispenser in accordance with an illustrative implementation. A utensil dispenser 100 can include three access ports 102a-c. Each access port allows for the removal of a single utensil at a time. In some implementations, the utensil dispenser dispenses plastic cutlery, e.g., polystyrene utensils. As one utensil is removed, another utensil is moved into position such that its handle 110 is outside the access port. Head portions of utensils that can come into contact with food, e.g., fork tines, spoon bowls, knife blades, etc., remain within the utensil dispenser 100. Accordingly, these portions of the utensils are protected from the environment. The utensil dispenser 100 can be used to dispense various utensils such as, but not limited to, spoons, forks, knives, sporks, chopsticks, etc.

In one embodiment, fill level windows 104 allow a visual indication of the fill level of utensils in a cartridge. In another embodiment, a fill level window 114 is transparent and allows a visual indication of the fill level of all of the cartridges in a dispenser. A utensil dispenser can be hung on a wall using wall mounting bracket attachment holes 112. In other implementations, the utensil dispenser 100 can be attached to a pedestal base 108. The pedestal base 108 provides support for the utensil dispenser and allows the utensil dispenser 100 to be free standing. The pedestal base 108 can be removable such that the utensil dispenser 100 can be wall mounted using wall mounting bracket attachment holes 112. Multiple utensil dispensers can be hung on a wall. FIG. 1E is a front perspective view of three utensil dispensers in accordance with an illustrative implementation. In some implementations, a utensil dispenser can incorporate an ultra-violet light to sanitize the exposed handle of the utensil.

Utensils stored in the utensil dispenser 100 can be stored in a cartridge. The utensil dispenser 100 can be opened allowing the replacement of cartridges to refill the utensil dispenser 100. In one implementation, the utensil dispenser 100 opens using a hinge 106. FIG. 2 is a front perspective view of an open utensil dispenser and cartridge in accordance with an illustrative implementation. A hinged access door 202 allows access to the internal compartment of the utensil dispenser 100. In other implementations, the hinge location can be located on the top of the utensil dispenser 100. In these implementations, the access door 202 opens vertically instead of horizontally. The access door 202 can have fill level windows 204. Cartridges have corresponding fill level windows 206 that allow a visual indication of the

stock of utensils in each respective cartridge to be seen. A cartridge 208 can be attached to the utensil dispenser 100 and provides utensils that can be dispensed. The cartridge 208 can be pre-packaged with utensils. In some implementations, the cartridge 208 is replaced with a new cartridge and is not reused. In other implementations, the cartridge 208 can be refilled and reused in the utensil dispenser 100. The utensil dispenser 100 can accept one or more cartridges 208. For example, in one implementation the utensil dispenser 100 can accept a single cartridge 208. As another example, the utensil dispenser 100 can accept three cartridges 208, e.g., one for each of a spoon, fork, and knife. In some implementations, the dispensing slot that a cartridge 208 is inserted into is not dependent upon the type of utensil that is dispensed. Accordingly, a cartridge 208 of any type of utensil can be placed into any available dispensing slot. In other implementations, each cartridge 208 and dispensing slot is unique to the utensil being dispensed. In these implementations, a cartridge 208 can be designed individually to fit the corresponding utensil. The footprint and dimensions of the cartridges can be distinct from one another in these implementations.

FIGS. 3A-3C are a detailed portion of a utensil dispenser in accordance with an illustrative implementation. In some implementations, a cartridge 302 can have a restraint panel 304. The restraint panel 304 prohibits the stored cutlery from falling out of place during the installation of the cartridge 302. Once the cartridge 302 is installed, the restraint panel 304 can be removed. After the restraint panel 304 is removed, cutlery can move into a utensil reservoir 306. In one implementation, gravity moves the utensils from the cartridge into the reservoir 306. In some implementations, the reservoir 306 holds between 10 and 20 pieces of cutlery. The reservoir allows the cartridge 302 to be replaced prior to the dispenser becoming completely empty. Manual activation levers 308 can be accessed when the front panel is open. Using the manual activation levers 308, a utensil can be dispensed. This is useful, for example, when loading an empty utensil dispenser. The manual activation levers 308 can be used to move a first utensil into its dispensing position, e.g., with its handle exposed through an access port. FIG. 3C illustrates a fork 310 in its ready or dispensing position based upon activation of a manual activation lever 312. Once the fork 310 is in its ready position, removing the fork 310 will cause the next fork to be moved into its ready position.

Each cartridge can include a large number of utensils. For example, a cartridge can hold 100, 120, 140, 150, 160, 250, etc., utensils. In some implementations, the utensils are stacked on top of one another. FIG. 4 is a right side plane view and expanded detailed view of stacked utensils in accordance with an illustrative implementation. A utensil 402 is stacked vertically on top of a second utensil 404. The utensils 402 and 404 are the same height, width, and length. A chamfer 406 allows for a thinner endpoint that can be used by the dispensing portion of the utensil dispenser to separate individual utensils.

To help increase stability of the stack of utensils and maximize the usage of space within a cartridge, the utensils can include nesting features. FIG. 5 is a right side plane view and expanded detailed view of stacked utensils in accordance with an illustrative implementation. Similar to the utensils illustrated in FIG. 4, a utensil 502 is stacked vertically on a second utensil 504. The utensils 502 and 504 are the same height, width, and length. A cut out 506 in a handle of the utensil 502 allows for a thinner endpoint that can be used by the dispensing portion of the utensil dis-

penser to separate individual utensils. A nesting feature **508** can be used to help hold the utensils **502** and **504** in place within the cartridge and the reservoir of the utensil dispenser.

The dispensing of utensils can be enhanced based upon one or more features of the utensils themselves. FIG. **6** is a view of various features of utensils in accordance with an illustrative implementation. The handle end **602** of utensils can be chamfered. The chamfer can make it easier for the dispensing unit to pick between utensils. Similar to the chamfer, cutouts from the handle end **604** of utensils can also make it easier for the dispensing unit to pick between utensils. As the utensils can be stacked in cartridges, nesting features can be used to stabilize the utensil stack. A concave cavity **606** can be used such that one utensil can nest into another utensil. Detents **608** can be used to hold utensils in place when in the utensil dispenser. Detents **610** can be integrated into the ribbing of a utensil. One or more of these features can be used by various implementations of a utensil dispenser.

Each utensil dispenser dispenses a single piece of cutlery at a time. Various mechanisms can be used to dispense the utensils. FIGS. **7A-7E** are a cross sectional view of a utensil dispenser in accordance with an illustrative implementation. A utensil **718** falls from a reservoir **720**. The utensil **718** moves down a gravity feed ramp **716**. The utensil **718** continues down the gravity feed ramp **716** until detents **724** on the utensil **718** come into contact with a drive pin actuation lever **710**. At this point, the utensil's descent is stopped and a handle portion **726** of the utensil is exposed through an access port **728**.

The drive pin actuation lever **710** is a spring loaded lever that operates a linear drive pin **704**. The drive pin actuation lever **710** is connected to the linear drive pin **704** by a connection pin **702**. An actuation lever return spring **708** returns the drive pin actuation lever **710** to a home position following a dispense cycle. In the home position, the drive pin actuation lever **710** stops the descent of the utensil **718** on the gravity feed ramp **716**. When the handle portion **726** of the utensil **718** is pulled out from the utensil dispenser, the drive pin actuation lever **710** rotates around a pivot pin **706**. Due to the rotation, the detents **724** become free of the drive pin actuation lever **710** allowing the utensil to be released from the access port **728** of the utensil dispenser.

The drive pin actuation lever **710** also operates the linear drive pin **704** to engage a next utensil **730** to fall from the reservoir **720** onto the gravity feed ramp **716**. Prior to being released from the reservoir **720**, the utensil **730** was held in the reservoir **720** by a front pedestal **714** and a rear pedestal **712**. A handle portion of the utensil **730** rests on the rear pedestal **712** and detents **722** on either or both sides of the utensil **730** rest on the front pedestal **714**. The drive pin actuation lever **710** moves the linear drive pin **704** from a home position to a release position. When the drive pin actuation lever **710** engages the next utensil **730**, the linear drive pin **704** is moved to a release position. In this position the linear drive pin **704** contacts a tail portion of the utensil **730**, pushing the utensil in an opposite direction of the utensil **718** being removed. The next utensil **730** is pushed, causing the detents **722** and the handle portion to move past the front pedestal **714** and the rear pedestal **712**. Once freed, the utensil **730** falls due to gravity to the gravity feed ramp **716**. Once the utensil **718** passes the drive pin actuation lever **710**, the actuation lever return spring **708** return the drive pin actuation lever **710** to its home position. The detents **722** engage the drive pin actuation lever **710**, and the next utensil is positioned to be dispensed.

In another implementation, utensils are dispensed using a barrel mechanism. FIGS. **8A-8E** are a cross sectional view of a utensil dispenser in accordance with an illustrative implementation. Similar to the implementation illustrated in FIGS. **7A-7E**, utensils are dispensed handle first from a dispensing unit. A utensil **818** slides down a gravity feed ramp **816** until a portion of the utensil **818** comes into contact with a drive pin actuation barrel **832**. As the utensil **818** is pulled from the dispenser, the drive pin actuation barrel **832** rotates around a pivot pin **806**. As the drive pin actuation barrel **832** moves, it engages the linear drive pin **804**. The linear drive pin **804** is connected to the drive pin actuation barrel **832** by a connection pin **802**.

A utensil **830** located initially in a reservoir **820** is freed from the reservoir by the linear drive pin **804**. Wings or detents **822** on the utensil **830** are in contact with a front pedestal **814** and a tail portion of the utensil **830** rests on a rear pedestal **812**. When actuated, the linear drive pin **804** pushes the utensil toward a back end of the dispenser. As the utensil **830** moves forward, the detents **822** move past the front pedestal **814** and the tail portion of the utensil **830** moves past the rear pedestal **812**, causing the utensil **830** to fall to the gravity feed ramp **816**. Once the utensil **818** is dispensed, the drive pin actuation barrel **832** returns to a home position. The utensil **830** continues to move down the gravity feed ramp **816** until the drive pin actuation barrel **832** stops its movement. In this position, a handle of the utensil **830** is exposed from the dispenser and is used to dispense the utensil **830**.

In another implementation, utensils are dispensed using a hopper mechanism. FIGS. **9A-9E** are a cross sectional view of a utensil dispenser in accordance with an illustrative implementation. Similar to the previously described dispensers, utensils are dispensed, handle first, from a utensil dispenser. Utensils waiting to be dispensed are kept in a reservoir **920**. Utensils are held in the reservoir **920** by one or two doors **938**. In one implementation, a single door is used to hold the utensils in the reservoir **920**. In another implementation, a pair of doors is used. When a utensil **918** is pulled from the dispenser, an actuator **934** rotates around a pivot pin **906**. A boss **936** at one end of the actuator **934** is in contact with the doors **938**. As the boss **936** pushes against the doors **938**, the doors **938** separate and a utensil **930** falls onto a gravity feed ramp **916**. In one implementation, a second set of doors (not shown) are attached at an angle to a pivot point of the doors **938**. As the boss **936** opens the doors **938**, the second set of doors rotates inward such that the stack of utensils remain within the reservoir **920**. The second set of doors open when the actuator **934** returns to a home position, allowing a utensil to move into position for being dispensed. A spring **940** causes the doors to close once the actuator **934** returns to a home position. The utensil **930** continues down the gravity feed ramp **916** until a portion of the utensil **930** comes into contact with the actuator **934**. An actuator return spring **908** returns the actuator **934** to the home position. In this home position, the actuator **934** stops the utensil **918** such that the handle of the utensil **918** is accessible.

In another implementation, utensils are dispensed using a picker mechanism. FIG. **10** is a cross sectional view of a utensil dispenser in accordance with an illustrative implementation. In this implementation, a utensil **1018** is held in place by an actuator **1044**. When a utensil is held in place a tail portion of the utensil **1018** is located outside the dispenser while the head portion of the utensil **1018** remains within the dispenser. Utensils located in a reservoir **1020** are stored for future dispensing. A utensil **1030** remains in the

reservoir 1020 based upon a notch 1042 within an actuator 1044 and a top portion of a gravity feed ramp 1016. For example, one end of the utensil 1030 rests on the top portion of the gravity feed ramp 1016, and its opposite end fits within the notch 1042. When the utensil 1018 is pulled out from the dispenser, the actuator 1044 rotates around a pivot pin 1006. The rotation causes the notch to move and release the utensil 1030. The utensil falls onto and proceeds down the gravity feed ramp 1016 until a portion of the utensil comes into contact with the actuator 1044 in a home position. In the home position, the actuator 1044 stops a utensil 1018 such that the tail portion of the utensil 1018 is exposed.

Various other implementations of a utensil dispenser are also possible. FIG. 11 is one such example and is a multi-view illustration of a utensil dispenser in accordance with an illustrative implementation. In this implementation, utensils are not stacked horizontally on top of one another in a storage cartridge. Rather, the utensils are stacked in a semi-vertical configuration on a guiding rail. As a piece of cutlery is removed, a switch releases the cutlery from the guiding rail. In this implementation, each utensil has a key slot molded into it that can be used to bundle the utensils for loading into the dispenser. The guiding rail can also engage the molded slot in the utensils to convey each utensil to a user. This configuration allows utensils to be presented in a vertical fashion as illustrated in FIG. 11.

In another implementation, the stored utensils can be wrapped in plastic. FIG. 12 is a multi-view illustration of a utensil dispenser in accordance with an illustrative implementation. The plastic encases the utensils and each utensil is linked together with a perforation between each utensil. As a utensil is pulled away from the dispenser, the next connected utensil is brought out of the dispenser. The perforation allows the plastic wrapped utensil to be removed from the other utensils. A similar implementation is shown in FIG. 14, which is a front perspective view of a utensil dispenser in accordance with an illustrative implementation. A cartridge 1414 contains plastic wrapped utensils that are linked together. A hinge 1404 in the back of the dispenser can be used to open the dispenser for loading the cartridge 1414. A lip 1402 keeps the cartridge 1414 in place near the back of the dispenser. In other implementations one or more tabs can be used to hold the cartridge in place. The plastic wrapped utensils are threaded through an opening 1416 in the front of the dispenser. Corners 1412 of the opening can provide a mechanism to tear a perforation in the linked utensils. A space 1406 located between the cartridge 1414 and the opening 1416 allows room for the linked utensils to unfold from the cartridge 1414.

In another implementation, the dispenser removes the plastic wrap from the utensil as the utensil is dispensed. FIG. 13 is a multi-view illustration of a utensil dispenser in accordance with an illustrative implementation. A number of plastic wrapped utensils are linked together by the plastic wrap and stored in a cartridge. The plastic wrap has a perforation along the entire length of the linked utensils. A sensor, such as an infra-red sensor, movement sensor, light sensor, etc., can be used to detect a presence of a user. Upon such detection, the dispenser automatically dispenses one utensil. Rollers are used to push the linked utensils forward toward an opening of the dispenser. A second roller is used to pull the plastic away from the utensil, causing the perforation to open and the unwrapped utensil to be dispensed.

FIG. 15 is a related implementation, in that the plastic wrap is removed from the utensil as the utensil is dispensed.

A cartridge 1514 holds the plastic wrapped utensils. A perforation 1502 in the plastic wrap extends along the entire length of utensils. A hand crank 1504 is used to rotate a first pair of rollers 1506. In another implementation, a single roller can be used along with an immobile body. The rollers 1506 pull the linked utensils forward. An opening 1510 within the dispenser allows the linked utensils an area to unfold. A second set of rollers 1508 is attached to the plastic wrap and pulls downward on the plastic wrap as the utensil exits the first set of rollers 1506. The second set of rollers 1508 cause the perforation 1502 to open. The unwrapped utensil then exits through an opening in the dispenser. A waste collection area can be included in the dispenser to collect the plastic wrap. In another implementation, a handle portion of the utensils exits the dispenser before the head portion.

In various implementations, features of the utensils are used to help control the dispensing of the utensils. FIG. 16 is a view of utensils for use in a utensil dispenser in accordance with an illustrative implementation. Cutouts 1602 at the end of utensils can be used to help the various linear drive pins separate utensils. The utensils can include a concave cavity 1604 that can be used to help nest utensils together. Such cavities 1604 can provide stability to a vertical stack of utensils. Detents 1606 can be included in utensils and can be used to halt the movement of a utensil down a gravity feed ramp.

In addition to the above described features, various implementations of the dispensers dispense utensils handle first. In some implementations, the handle portion of utensils can be visible prior to the utensil being dispensed. The handle portion therefore provides an opportunity to provide information to users of the dispenser. FIG. 17 is a view of handles of utensils for use in a utensil dispenser in accordance with an illustrative implementation. Various textures can be used on the handles for an aesthetic feature. For example, a protrusion 1702, textures 1704, depressions 1706, lettering 1708, or icons 1710 can be used. The lettering and/or the icons can indicate the type of utensil being dispensed. In addition, Braille can be added to the handle of the utensil that identifies the utensil.

Various described implementations can use a cartridge to load the dispenser. FIG. 18 is a flow-illustration of loading a utensil dispenser in accordance with an illustrative implementation. A cartridge 1802 can indicate the type of utensils contained within the cartridge. A perforation at the bottom of the cartridge can be removed 1804. A piece of tape covers a portion or all of the utensils, such that the tape helps retain the utensils as the cartridge is being loaded into the dispenser. Prior to placing the cartridge in the dispenser, a tab connected to the tape can be folded over 1806. Once the cartridge is placed in the dispenser, the tab can be pulled to remove the tape and release the utensils into the dispenser 1808. In another implementation, a chipboard panel is used to help hold the utensils in place. Pulling the tab also pulls the chipboard off of the cartridge to complete the drop of utensils into the dispenser. FIGS. 19A-19A illustrate opening a cartridge of utensils for use in a utensil dispenser in accordance with an illustrative implementation. A cartridge 1902 includes an attached chipboard and tape 1906. A tab 1908 is connected to the tape. The tab 1908 is used to pull the tape and the chipboard 1906 to open the cartridge 1904. Once the tape and chipboard 1906 are removed from the cartridge, the utensils within the cartridge fall into the reservoir of the dispenser.

Various utensils can be used in the numerous utensil dispensers described herein. FIG. 20 illustrates one such

utensil and is a perspective view a fork for use in a utensil dispenser in accordance with an illustrative implementation. In the embodiment depicted in FIG. 20, wings or detents 2002 are on each side of the fork 2000. The wings or detents 2002 are molded into the fork and other utensils and provide a surface to rest against a front pedestal of a utensil dispenser. The front pedestal can provide support for the fork 2000 as well as any other stacked forks within the utensil dispenser. The wings or detents 2002 also contact an activation lever, for example, but not limited to, the drive pin actuation lever 710 of FIGS. 7A-7E; or a cam actuation lever of FIG. 21. When a utensil is pulled from the dispenser, the wings or detents 2002 pull the activation lever forward activating the mechanism to dispense the next piece of cutlery from the reservoir.

The fork 2000 can also include a tail support 2004 molded into the fork 2000. The tail support 2004 can rest against a rear pedestal of the utensil dispenser. The rear pedestal, along with the front pedestal, provide support for the stack of utensils in the reservoir. The tail support 2004 also provides a surface for a drive pin to contact the fork 2000 to dispense the fork 2000 from the reservoir. A user of the fork 2000 can also use the tail support 2004 as a surface to hold onto the fork 2000 while pulling the fork 2000 from the utensil dispenser. The wings or detents 2002 and the tail support 2004 can be incorporated into other utensils such as, but not limited to, spoons, knives, sparks, etc.

In another implementation, utensils are dispensed using a cam system. FIG. 21 illustrates a cross sectional view of a utensil dispenser in accordance with an illustrative implementation. Similar to the implementation illustrated in FIGS. 7A-7E, utensils in the embodiment depicted in FIG. 21 are dispensed handle first from a dispensing unit. A utensil 2118 slides down a gravity feed ramp 2116 until a portion of the utensil 2118 comes into contact with an actuating cam lever 2146. For example, in the embodiment depicted in FIG. 21, wings or detents on the utensil 2118 contact the actuating cam lever 2146. This contact prevents the utensil 2118 from continuing to move down the gravity feed ramp 2116. The actuating cam lever 2146 is a spring loaded lever that rotates an actuating cam 2148 against a cam follower 2154 to activate a drive hammer 2156. The actuating cam 2148 is connected to the cam actuating lever 2146. The drive hammer 2156 pushes cutlery off of one or more pedestals, for example front and rear pedestals as described above, allowing a single utensil to drop onto the gravity feed ramp 2116. The cam follower 2154 includes a roller that follows the actuating cam 2148 that activates the drive hammer 2156.

A utensil 2130 located initially in a reservoir is freed from the reservoir by the drive hammer 2156. Wings or detents on the utensil 2130 are in contact with a front pedestal 2114 and a tail portion of the utensil 2130 rests on a rear pedestal 2112. When actuated, the drive hammer 2156 pushes the utensil toward a back end of the dispenser. As the utensil 2130 moves forward, the detents move past the front pedestal 2114 and the tail portion of the utensil 2130 moves past the rear pedestal 2112, causing the utensil 2130 to fall to the gravity feed ramp 2116. Once the utensil 2118 is dispensed, the cam actuation lever 2146 returns to a home position. The utensil 2130 continues to move down the gravity feed ramp 2116 until the cam actuation lever 2146 stops its movement. In this position, a handle of the utensil 2130 is exposed from the dispenser and can be used to dispense the utensil 2130.

The utensil dispenser can include a manual activation button 2150. The manual activation button 2150 is connected to a manual activation lever 2152 that bypasses the

cam activated mechanism to dispense a utensil. The manual activation level 2152 is connected to the drive hammer 2156. Pressing the manual activation button 2150, engages the drive hammer 2156 to push the utensil 2130 off of the pedestals and onto the gravity feed ramp 2116.

FIGS. 22-26, 27A-33A, and 27B-33B illustrate another implementation that uses a cam system to dispense utensils similar to the implementation shown in FIG. 21. FIG. 22 illustrates a cross section view of the utensil dispenser. Utensils to be dispensed are located in a reservoir and are supported by a front pedestal 2214 and a rear pedestal 2212. The utensils are positioned to rest on the front pedestal 2214 and the rear pedestal 2212. The next utensil to be dispensed (not shown) is positioned on a gravity feed ramp 2216, such that a tail portion of the utensil extrudes from the utensil dispenser. In this position, the utensil is in contact with an actuating cam lever 2246, which prevents the utensil from continuing to move down the gravity feed ramp 2216.

When the tail portion is pulled away from the utensil dispenser, the actuating cam lever 2246 moves to allow the utensil to be removed from the utensil dispenser. In addition, removing the utensil causes the next utensil to be freed from the reservoir and to slide down the gravity feed ramp 2216 as the next utensil to be dispensed. Freeing the next utensil can be accomplished by using the actuating cam lever 2246, which is a spring loaded lever that rotates an actuating cam 2248 against a cam follower 2254 to activate a drive hammer 2256. The rear pedestal 2212 is part of the drive hammer 2256. A spring 2260 provides tension to return the drive hammer 2256 to a resting position. In the resting position, the rear pedestal 2212 is positioned to support the utensils in the reservoir that have not been dispensed onto the gravity feed ramp 2216. The drive hammer 2256 pushes cutlery off of one or more pedestals, for example the front and rear pedestals as described above, allowing a single utensil to drop onto the gravity feed ramp 2216. The cam follower 2254 includes a roller that follows the actuating cam 2248 that activates the drive hammer 2256.

When actuated, the drive hammer 2256 pushes the utensil toward a back end of the dispenser such that the detents of the utensil move past the front pedestal 2214 and the tail portion of the utensil moves past the rear pedestal 2212, causing the utensil to fall to the gravity feed ramp 2216. Once the utensil is dispensed, the actuating cam lever 2246 returns to a home position. The utensil continues to move down the gravity feed ramp 2216 until the actuating cam lever 2246 stops its movement. In this position, a handle of the utensil is exposed from the dispenser and can be used to dispense the utensil.

The utensil dispenser can include a manual activation button 2250. The manual activation button 2250 is connected to a manual activation lever 2252 that bypasses the cam activated mechanism to dispense a utensil. The manual activation level 2252 is connected to the drive hammer 2256. Pressing the manual activation button 2250, engages the drive hammer 2256 to push the utensil off of the pedestals and onto the gravity feed ramp 2216.

FIG. 23 illustrates an exploded view of an internal portion of a reservoir of the utensil dispenser in accordance with the aforementioned illustrative implementation. FIGS. 24 and 25 illustrate the opposite side of the reservoir. FIG. 24 illustrates a portion of the reservoir of the utensil dispenser, and FIG. 25 illustrates an exploded view of an external portion of the reservoir of the utensil dispenser. The opposite side of the reservoir includes a ratchet gear 2404 that attaches to a portion of the actuating cam 2248 that protrudes into the opposite side of the reservoir. A snap 2402 fits into

an opening of the reservoir and a ratchet paw **2408** attaches to the reservoir. For example, a dowel pin and a torsion spring (not shown) can be used to attach the ratchet paw **2408** to the reservoir. Once installed, the ratchet paw **2408** engages the snap **2402** and the ratchet gear **2404** as shown in FIG. **24**.

FIG. **26** illustrates an exploded view of the utensil dispenser, illustrating the components of both sides of the reservoir as shown in FIGS. **22-25**. In addition, screws **2602**, such as cap head screws, can secure a left portion **2612** and a right portion **2614** of the reservoir together using screw inserts **2604**. A torsion spring **2610** and a dowel pin **2608** can be used to connect the ratchet paw **2408** to the reservoir such that the ratchet paw **2408** engages the ratchet gear **2404** and the snap **2402**. The extension spring **2406** provides tension to return the ratchet gear **2404** into a resting position.

FIGS. **27A-37A** and **27B-27B** illustrate the operation of the utensil dispenser from both a front perspective view and a corresponding rear perspective view. FIGS. **27A** and **27B** show the utensil dispenser loaded with utensils **2702**. There is no utensil, however, in the ready to be dispensed position. This can occur, for example, when the utensil dispenser is first loaded with utensils. In one implementation, the utensil dispenser can be loaded using a cartridge, such as the cartridge **302** shown in FIG. **3A**, that contains utensils and can connect to the utensil dispenser. To load utensils, a restraint panel can be removed. Upon removal of the restraint panel, the utensils can fall into the utensil dispenser.

To prime the utensil dispenser for use, a manual activation button **2250** can be used to move a first utensil **2704** into the dispensing position. As shown in FIGS. **28A** and **28B**, when the manual activation button **2250** is engaged, the manual activation lever **2252** retracts the drive hammer **2256**, which causes the rear pedestal **2212** to move such that the rear pedestal **2212** no longer supports the first utensil **2704**. Without support of the rear pedestal **2212**, the first utensil **2704** drops in preparation for being moved to the gravity feed ramp **2216**. In addition, the movement of the drive hammer **2256** also causes the cam follower **2254** and the actuating cam **2248** to move. The movement of the actuating cam **2248** causes the ratchet gear **2404** to move in a clockwise fashion, thereby stretching the extension spring **2406**. When the manual activation button **2250** is released, the extension spring **2406** pulls the ratchet gear **2404** back into its initial position. The ratchet gear **2404** causes the actuating cam **2248** and the drive hammer **2256** to also return to their original position, as shown in FIGS. **29A** and **29B**. As the drive hammer **2256** moves to its supporting position, the rear pedestal pushes the first utensil off of the front pedestal **2214** to eject the first utensil from the utensil stack. Once the first utensil **2704** is pushed off of the front pedestal **2214**, the first utensil **2704** falls to the gravity feed ramp **2216**. The first utensil **2704** then slides down the gravity feed ramp **2216** as shown in FIGS. **30A** and **30B**. Eventually, the first utensil **2704** is stopped by the actuating cam lever **2246**. Once stopped by and in contact with the actuating cam lever **2246**, the utensil is in a dispensing position. The first utensil **2704** is shown in its dispensing position in FIGS. **31A** and **31B**. In the dispensing position, a portion of the first utensil **2704** extrudes from the utensil dispenser. FIGS. **32A** and **32B** illustrate the utility dispenser when the first utensil is pulled and is partially dispensed. Pulling the first utensil **2704**, causes the actuating cam lever **2246** to turn the actuating cam **2248** in a counter-clockwise motion, which in turn, cocks the drive hammer **2256**. Cocking the drive hammer **2256**, moves the rear pedestal **2212** from under the utensil stack causing the next utensil to

drop into place for ejection. The ratchet gear **2404** prevents kick-back while the first utensil **2704** is being pulled from the utensil dispenser. FIGS. **33A** and **33B** illustrate the utensil dispenser after the first utensil **2704** is completely removed. Once the first utensil **2704** is removed, the drive hammer **2256** returns to its initial position due to the extension spring **2406** and ejects the next utensil on the gravity feed ramp **2216**. In addition, the actuating cam lever **2246** has returned to its initial position such that it will stop the next utensil's progress down the gravity feed ramp **2216**, at which point, the next utensil will be in its dispensing position. This process can continue, allowing each of the utensils **2702** to be dispensed. Further, as described above, a cartridge can be used to replenish the utility dispenser.

While this specification contains many specific implementation details, these should not be construed as limitations on the scope of any inventions or of what may be claimed, but rather as descriptions of features specific to particular implementations of particular inventions. Certain features described in this specification in the context of separate implementations can also be implemented in combination in a single implementation. Conversely, various features described in the context of a single implementation can also be implemented in multiple implementations separately or in any suitable subcombination. Moreover, although features may be described above as acting in certain combinations and even initially claimed as such, one or more features from a claimed combination can in some cases be excised from the combination, and the claimed combination may be directed to a subcombination or variation of a subcombination.

Similarly, while operations are depicted in the drawings in a particular order, this should not be understood as requiring that such operations be performed in the particular order shown or in sequential order, or that all illustrated operations be performed, to achieve desirable results. In certain circumstances, multitasking and parallel processing may be advantageous. Moreover, the separation of various system components in the implementations described above should not be understood as requiring such separation in all implementations, and it should be understood that the described program components and systems can generally be integrated in a single software product or packaged into multiple software products.

Thus, particular implementations of the subject matter have been described. Other implementations are within the scope of the following claims. In some cases, the actions recited in the claims can be performed in a different order and still achieve desirable results. In addition, the processes depicted in the accompanying figures do not necessarily require the particular order shown, or sequential order, to achieve desirable results. In certain implementations, multitasking and parallel processing may be advantageous.

What is claimed is:

1. A utensil dispenser comprising:

- a reservoir configured to store a plurality of utensils;
- a rear pedestal configured to contact a rear portion of a [next] *lowermost* utensil [to be dispensed] of the plurality of utensils;
- a front pedestal configured to contact [one or more detents in] a *forward portion* of the [next] *lowermost* utensil, wherein the front pedestal and the rear pedestal are configured to contain the plurality of utensils within the reservoir;
- a gravity feed ramp [configured to move the next utensil to] *that is sloped toward* an access port [of the utensil dispenser]; and

13

an actuator operably connected to a drive mechanism, [the actuator configured to halt a dispensing utensil at a ready position based upon contact between the dispensing utensil and the actuator such that, in the ready position, a handle portion of the dispensing utensil is accessible via the access port;]

wherein the drive mechanism is configured to contact the [next] *lowermost* utensil, and wherein the actuator is [further] configured to move the drive mechanism [into] *from a ready position to a release position* [such that] *where the drive mechanism contacts the [next] lowermost utensil to push the [next] lowermost utensil in a longitudinal direction to clear the front pedestal [to release the next utensil from the reservoir], allowing that pushed utensil to drop onto the gravity feed ramp* [when the dispensing utensil is dispensed] *and to slide toward the access port, and*

*wherein the actuator is further configured to hold the utensil that dropped onto the gravity feed ramp, allowing its handle portion to be accessible through the access port.*

2. The utensil dispenser of claim 1, wherein the drive mechanism comprises a drive pin.

3. The utensil dispenser of claim 1, wherein the drive mechanism comprises a drive hammer.

[4. The utensil dispenser of claim 1, wherein the drive mechanism is further configured to move the next utensil to clear the rear pedestal to release the next utensil from the reservoir onto the gravity feed ramp when the dispensing utensil is dispensed.]

[5. The utensil dispenser of claim 1, wherein the drive mechanism includes the rear pedestal.]

[6. The utensil dispenser of claim 5, wherein the actuator is further configured to return to a home position to clear the next utensil from the rear pedestal.]

7. The utensil dispenser of claim 1, further comprising a manual activation button configured to move the drive mechanism into the release position when *the manual activation button is activated to prime the dispenser when there is no utensil accessible through the access port.*

8. A utensil dispenser, comprising:  
*a front pedestal disposed within the dispenser;*  
*a rear pedestal disposed within the dispenser;*  
*a drive mechanism disposed within the dispenser;*  
*an actuator operably connected to the drive mechanism,*  
*and*

*a stack of utensils disposed within the dispenser, wherein each utensil comprises:*

*a utensil body [having a utensil body front portion and a utensil body rear portion];*

*a winged portion [operatively connected to the utensil body front portion, the winged portion] disposed on at least one side of the utensil body and configured to at least partially rest on [a] the front pedestal [of a utensil dispenser when the utensil is stored in a reservoir of the utensil dispenser]; and*

*a tail portion [operatively connected to the utensil body rear portion, the tail portion configured to: rest on a] configured to at least partially rest on the rear pedestal [of the utensil dispenser when the utensil is stored in the reservoir of the utensil dispenser, the utensil remaining within the reservoir when the winged portion is resting on the front pedestal and the tail portion rests on the rear pedestal; and contact a drive mechanism of the utensil dispenser],*

*wherein the actuator is configured to move the drive mechanism [configured to selectively push the uten-*

14

*sil via] to a release position where the drive mechanism pushes the tail portion of a lowermost utensil in the stack of utensils in a longitudinal direction, such that the winged portion of the lowermost utensil clears the front pedestal [and the tail portion clears the rear pedestal], permitting the lowermost utensil to fall from the [reservoir] stack.*

9. The utensil dispenser of claim 8, wherein the drive mechanism comprises a drive pin.

10. The utensil dispenser of claim 8, wherein the drive mechanism comprises a drive hammer.

11. The utensil dispenser of claim 8, further comprising a gravity feed ramp disposed beneath the front and rear pedestals, wherein [the drive mechanism moves] the lowermost utensil [to clear the rear pedestal to release the utensil from the reservoir] falls onto [a] the gravity feed ramp when [a dispensing utensil is dispensed] released from the stack.

12. The utensil dispenser of claim 8, wherein [the drive mechanism includes] the rear pedestal is located on the drive mechanism.

13. The utensil dispenser of claim 12, wherein the lowermost utensil is configured to clear the rear pedestal based upon [an] the actuator returning to a home position.

14. A method comprising:  
*supporting a plurality of utensils within a utensil dispenser, the dispenser having a front pedestal and a rear pedestal for supporting the plurality of utensils;*  
*removing a utensil from [a] the utensil dispenser;*  
*moving an actuation component [based upon] when the utensil is being removed, wherein the utensil is in contact with the actuation component while being removed;*

*engaging a drive mechanism [based upon the moving of] when the actuation component is being moved;*

*[freeing a next] separating a lowermost utensil from [a reservoir onto a gravity feed ramp based upon] the plurality of utensils using the drive mechanism, wherein the drive mechanism pushes the [next] lowermost utensil to [free] separate the [next] lowermost utensil from the plurality of utensils; and*

*halting the [next] separated utensil [on the gravity feed ramp] such that a tail portion of the separated utensil [extrudes] extends from the utensil dispenser.*

15. The method of claim 14, wherein the drive mechanism comprises a drive pin.

16. The method of claim 14, wherein the drive mechanism comprises a drive hammer.

[17. The method of claim 14, wherein the drive mechanism moves the utensil to clear the rear pedestal to release the utensil from the reservoir onto the gravity feed ramp when the dispensing utensil is dispensed.]

[18. The method of claim 14, wherein the drive mechanism includes the rear pedestal.]

19. The method of claim [18] 14, wherein *the actuation component is operably connected to the drive mechanism, the actuation component configured to move the drive mechanism that in turn pushes the lowermost utensil [is configured] to clear the [rear] front pedestal [based upon an actuator returning to a home position].*

20. *The utensil dispenser of claim 1, wherein each utensil comprises one or more laterally extending detents that are configured to contact and at least partially rest on the front pedestal.*

21. *The utensil dispenser of claim 1, wherein the rear pedestal is located on the drive mechanism.*

## 15

22. The utensil dispenser of claim 1, wherein the actuator is further configured to return to a home position whereby the next utensil is able to clear and drop from the rear pedestal.

23. The method of claim 14, wherein the rear pedestal is located on the drive mechanism. 5

24. A utensil dispenser comprising:

a housing for containing a stack of utensils;

a front pedestal configured to contact a first portion of a utensil to be dispensed, 10

a drive mechanism configured to contact and push the utensil to be dispensed, wherein the drive mechanism comprises a rear pedestal formed thereon, the rear pedestal configured to support a second portion of the utensil to be dispensed; 15

an actuator operably connected to the drive mechanism; and

an access port providing an exit from the housing,

wherein the actuator is configured to move the drive mechanism from a ready position to a release position where the drive mechanism pushes a lowermost utensil of the stack in a longitudinal direction to clear the front pedestal, allowing the lowermost utensil to fall from the stack toward the access port. 20

25. The utensil dispenser of claim 24, further comprising a gravity feed ramp that is sloped toward the access port, wherein the lowermost utensil falls from the stack onto the gravity feed ramp. 25

26. The utensil dispenser of claim 24, wherein the actuator is further configured to hold the fallen utensil at least partially within the dispenser such that a handle portion of the fallen utensil is accessible through the access port. 30

27. The utensil dispenser of claim 26, wherein the actuator is configured to hold the pushed utensil that has fallen from the stack at least partially within the dispenser such that a handle end of that utensil extends through the access port. 35

28. The utensil dispenser of claim 24, further comprising a manual activation button configured to move the drive mechanism into the release position when the manual activation button is activated to prime the dispenser when there is no utensil accessible through the access port. 40

29. The utensil dispenser of claim 24, further comprising a reservoir disposed within a lower portion of the housing for holding a plurality of utensils. 45

30. The utensil dispenser of claim 24, further comprising a reservoir disposed within a lower portion of the housing for holding at least a portion of the stack of utensils.

31. The utensil dispenser of claim 24, further comprising a moveable hinged member to provide access to an interior of the housing, above the access port. 50

32. The utensil dispenser of claim 24, wherein the rear pedestal is defined by a recessed portion formed on an outer surface of the drive mechanism.

## 16

33. A utensil dispenser comprising:

a housing for containing a stack of utensils, each utensil comprising a functional end, a tail end, and at least one detent extending outwardly from the utensil at a location between the functional end and the tail end,

a front pedestal disposed within the housing, the front pedestal configured to contact the at least one detent of the utensil to be dispensed,

a rear pedestal disposed within the housing, the rear pedestal configured to contact the tail end of the utensil to be dispensed;

a drive mechanism disposed within the housing, the drive mechanism configured to contact and push the tail end of the utensil to be dispensed;

an access port providing an opening to the housing, and an actuator operably connected to the drive mechanism, wherein the actuator moves the drive mechanism from a ready position to a release position where the drive mechanism contacts and pushes the tail end of the utensil to be dispensed, allowing the pushed utensil to move in a longitudinal direction to clear the front pedestal and then fall from the stack of utensils.

34. The utensil dispenser of claim 33, wherein the drive mechanism comprises a drive pin or a drive hammer disposed on one end of the drive mechanism. 25

35. The method of claim 33, wherein the rear pedestal is located on the drive mechanism.

36. The method of claim 33, wherein the rear pedestal is located on the housing. 30

37. The utensil dispenser of claim 33, wherein the actuator is configured to hold the pushed utensil that has fallen from the stack at least partially within the dispenser such that the tail end of that utensil extends through the access port. 35

38. The utensil dispenser of claim 33, wherein the stack of utensils is loaded into the housing by inserting a portion of the stack into the housing at an angle.

39. The utensil dispenser of claim 33, further comprising a manual activation button configured to move the drive mechanism into the release position when the manual activation button is activated to prime the dispenser when there is no utensil accessible through the access port. 40

40. The utensil dispenser of claim 33, further comprising a reservoir disposed within a lower portion of the housing for holding a plurality of utensils. 45

41. The utensil dispenser of claim 40, wherein the reservoir holds at least a portion of the stack of utensils.

42. The utensil dispenser of claim 33, further comprising a moveable hinged member disposed on the housing to provide access to an interior of the housing above the access port. 50

\* \* \* \* \*