



US00RE48095E

(19) **United States**  
(12) **Reissued Patent**  
**Virr et al.**

(10) **Patent Number:** **US RE48,095 E**  
(45) **Date of Reissued Patent:** **\*Jul. 14, 2020**

(54) **HUMIDIFIER WITH STRUCTURE TO PREVENT BACKFLOW OF LIQUID THROUGH THE HUMIDIFIER INLET**

(71) Applicant: **ResMed Pty Ltd.**, Bella Vista, New South Wales (AU)

(72) Inventors: **Alexander Virr**, Gosford (AU); **Ian Malcolm Smith**, Sydney (AU); **Perry David Lithgow**, Sydney (AU); **Richard Llewelyn Jones**, Hornsby Heights (AU); **Andrew Cheung**, Sydney (AU)

(73) Assignee: **ResMed Pty Ltd**, Bella Vista, NSW (AU)

(\* ) Notice: This patent is subject to a terminal disclaimer.

(21) Appl. No.: **16/232,883**

(22) Filed: **Dec. 26, 2018**

**Related U.S. Patent Documents**

Reissue of:

(64) Patent No.: **7,614,398**  
Issued: **Nov. 10, 2009**  
Appl. No.: **11/181,807**  
Filed: **Jul. 15, 2005**

U.S. Applications:

(63) Continuation of application No. 16/231,286, filed on Dec. 21, 2018, which is a continuation of application (Continued)

(30) **Foreign Application Priority Data**

Feb. 16, 2001 (AU) ..... PR3117  
Aug. 27, 2001 (AU) ..... PR7288

(51) **Int. Cl.**  
**F23D 11/00** (2006.01)  
**A61M 15/00** (2006.01)  
(Continued)

(52) **U.S. Cl.**  
CPC ..... **A61M 16/16** (2013.01); **A61M 16/109** (2014.02); **A61M 16/0066** (2013.01); **A61M 2205/21** (2013.01); **Y10S 261/65** (2013.01)

(58) **Field of Classification Search**  
CPC ..... **A61M 16/16**; **A61M 16/109**; **A61M 16/0066**; **A61M 2205/21**; **Y10S 261/65**  
See application file for complete search history.

(56) **References Cited**

**U.S. PATENT DOCUMENTS**

485,127 A 10/1892 Lynch  
933,301 A 9/1909 Hartman  
(Continued)

**FOREIGN PATENT DOCUMENTS**

AU 200065475 4/2001  
DE 275612 1/1913  
(Continued)

**OTHER PUBLICATIONS**

Apex Medical Corporation, Petition Exhibit 1002 in IPR2014-00551, "ResMed's First Amended Complaint for Patent Infringement—Jury Trial Demanded", Case No. SACV-13-00498 CJC (RNBx), USDC, Central District of California, Southern Division, 18 pages.  
(Continued)

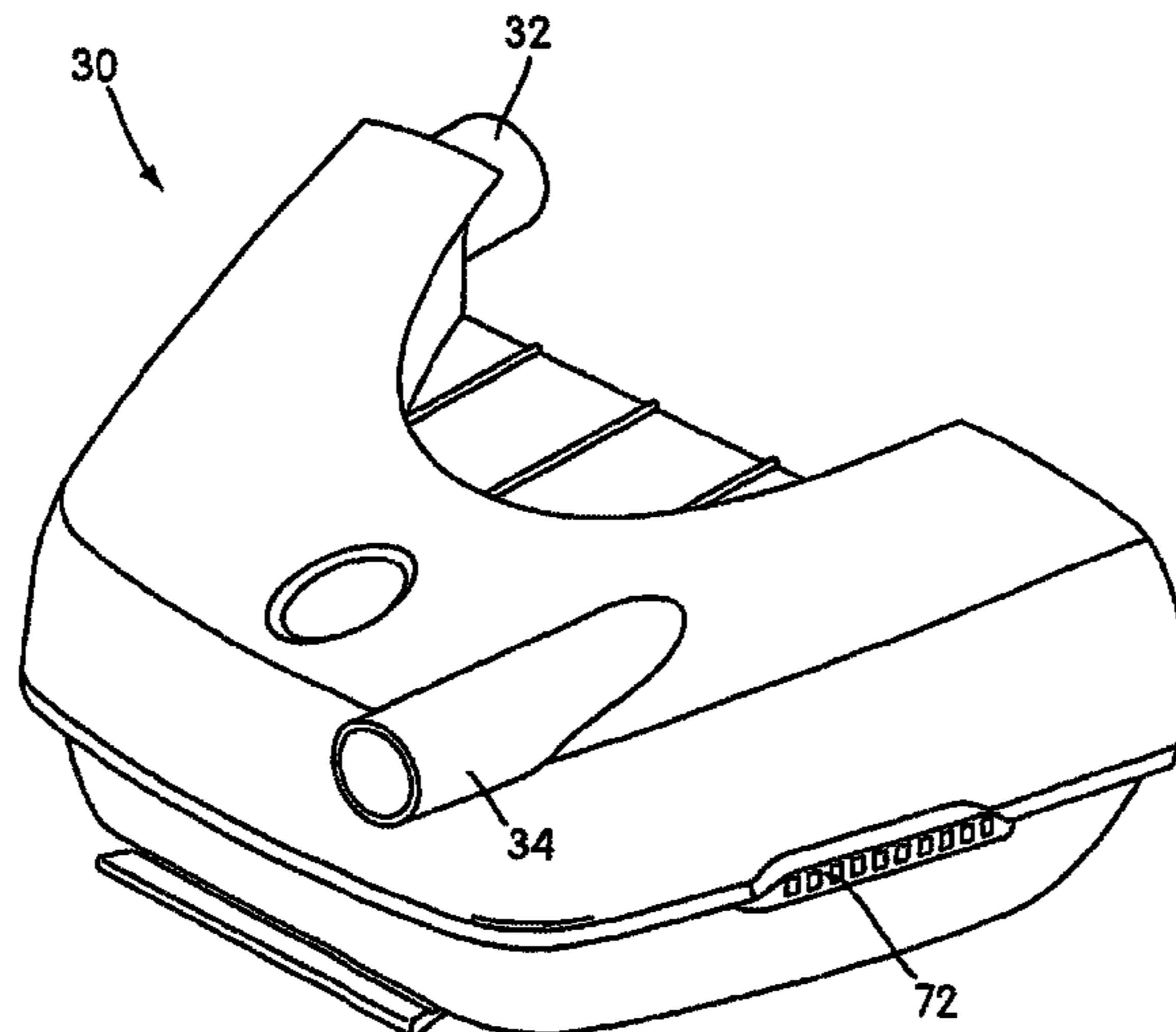
*Primary Examiner* — Joseph A Kaufman

(74) *Attorney, Agent, or Firm* — Fish & Richardson P.C.

(57) **ABSTRACT**

A humidifier includes a base configured to retain a body of liquid therein, a top cover, and a seal disposed between the top cover and the base. At least a portion of the base is constructed of a heat conducting material. The top cover defines both an inlet and an outlet communicated with an interior of the base. The inlet is configured to receive pressurized breathable gas and the outlet is configured to deliver the pressurized breathable gas with added humidity.

**26 Claims, 20 Drawing Sheets**



**Related U.S. Application Data**

No. 15/706,811, filed on Sep. 18, 2017, which is a continuation of application No. 15/182,919, filed on Jun. 15, 2016, now Pat. No. Re. 46,571, which is an application for the reissue of Pat. No. 7,614,398, said application No. 15/182,919 is a continuation of application No. 13/944,960, filed on Aug. 23, 2013, now Pat. No. Re. 46,079, said application No. 13/944,960 is a continuation of application No. 13/100,783, filed on May 4, 2011, now Pat. No. Re. 44,453, said application No. 13/100,783 is a continuation of application No. 10/467,382, filed as application No. PCT/AU02/00155 on Feb. 14, 2002, now Pat. No. 6,935,337.

- (51) **Int. Cl.**  
*F23D 14/00* (2006.01)  
*A61M 16/16* (2006.01)  
*A61M 16/10* (2006.01)  
*A61M 16/00* (2006.01)

(56) **References Cited**

U.S. PATENT DOCUMENTS

1,085,833 A 2/1914 Wilson  
 1,813,959 A 7/1931 Romanoff  
 1,974,843 A \* 9/1934 Blashfield ..... 261/123  
 RE19,826 E 1/1936 Aisenstein  
 2,220,669 A 11/1940 Allen et al.  
 2,780,708 A 2/1957 Glynn et al.  
 2,945,619 A 7/1960 McLure et al.  
 3,171,353 A 3/1965 McMahan  
 3,316,910 A 5/1967 Davis et al.  
 3,584,401 A 6/1971 Cryer et al.  
 3,612,710 A 10/1971 Mount  
 3,620,638 A 11/1971 Kaye et al.  
 3,638,926 A 2/1972 Melville et al.  
 3,659,604 A 5/1972 Melville et al.  
 3,690,317 A 9/1972 Millman  
 3,806,102 A \* 4/1974 Valenta et al. .... 261/142  
 3,864,440 A \* 2/1975 Giocoechea ..... 261/122.1  
 3,954,920 A 5/1976 Heath  
 4,037,994 A 7/1977 Bird  
 4,051,205 A \* 9/1977 Grant ..... 261/70  
 4,152,379 A 5/1979 Suhr  
 4,171,190 A 10/1979 Hudson  
 4,222,971 A \* 9/1980 Eilert ..... 261/92  
 4,229,142 A 10/1980 Le Dall et al.  
 4,237,080 A 12/1980 Elliott  
 4,243,396 A \* 1/1981 Cronenberg ..... 96/311  
 4,336,798 A 6/1982 Beran  
 4,383,800 A 5/1983 Becker et al.  
 4,523,896 A 6/1985 Lhenry et al.  
 4,532,088 A \* 7/1985 Miller ..... 261/142  
 4,576,616 A 3/1986 Mottram et al.  
 4,588,425 A 5/1986 Usry et al.  
 4,621,632 A 11/1986 Bartels et al.  
 4,657,713 A 4/1987 Miller  
 4,686,354 A 8/1987 Makin  
 4,753,758 A 6/1988 Miller  
 4,799,287 A 1/1989 Belanger et al.  
 4,802,819 A 2/1989 Bevington et al.  
 4,807,616 A \* 2/1989 Adahan ..... 128/204.21  
 4,838,258 A 6/1989 Dryden et al.  
 4,906,417 A 3/1990 Gentry  
 4,913,140 A 4/1990 Orec et al.  
 4,921,642 A 5/1990 LaTorraca  
 4,926,856 A 5/1990 Cambio, Jr. et al.  
 4,941,469 A 7/1990 Adahan  
 4,946,348 A 8/1990 Yapp  
 4,953,546 A \* 9/1990 Blackmer et al. .... 128/203.16  
 4,973,234 A 11/1990 Swenson  
 4,993,411 A 2/1991 Callaway

5,097,424 A 3/1992 Ginevri et al.  
 5,127,800 A 7/1992 Hyll et al.  
 5,199,009 A 3/1993 Svast  
 5,231,979 A \* 8/1993 Rose et al. .... 128/204.14  
 5,237,987 A 8/1993 Anderson et al.  
 5,271,391 A 12/1993 Graves  
 5,329,939 A 7/1994 Howe  
 5,391,063 A 2/1995 Hantle et al.  
 5,443,061 A 8/1995 Champain et al.  
 5,445,143 A 8/1995 Sims  
 5,474,112 A 12/1995 Carola  
 5,482,031 A 1/1996 Lambert  
 5,533,506 A 7/1996 Wood  
 5,537,997 A 7/1996 Mechlenburg et al.  
 5,558,084 A \* 9/1996 Daniell et al. .... 128/203.17  
 5,564,415 A 10/1996 Dobson et al.  
 5,577,496 A 11/1996 Blackwood et al.  
 5,588,423 A 12/1996 Smith  
 5,598,837 A 2/1997 Sirianne et al.  
 5,651,775 A 7/1997 Walker et al.  
 5,655,522 A 8/1997 Mechlenburg et al.  
 5,673,687 A 10/1997 Dobson et al.  
 5,794,219 A 8/1998 Brown  
 5,822,715 A 10/1998 Worthington et al.  
 5,828,943 A 10/1998 Brown  
 5,832,448 A 11/1998 Brown  
 5,848,592 A 12/1998 Sibley  
 5,870,283 A 2/1999 Maeda et al.  
 5,879,163 A 3/1999 Brown et al.  
 5,887,133 A 3/1999 Brown et al.  
 5,888,053 A 3/1999 Kobayashi et al.  
 5,897,493 A 4/1999 Brown  
 5,899,855 A 5/1999 Brown  
 5,913,310 A 6/1999 Brown  
 5,916,493 A 6/1999 Miller  
 5,918,603 A 7/1999 Brown  
 5,933,136 A 8/1999 Brown  
 5,940,801 A 8/1999 Brown  
 5,943,473 A 8/1999 Levine  
 5,951,300 A 9/1999 Brown  
 5,956,501 A 9/1999 Brown  
 5,960,403 A 9/1999 Brown  
 5,985,559 A 11/1999 Brown  
 5,997,476 A 12/1999 Brown  
 D419,658 S 1/2000 Matchett et al.  
 6,012,455 A 1/2000 Goldstein  
 6,023,686 A 2/2000 Brown  
 6,032,119 A 2/2000 Brown et al.  
 6,050,260 A 4/2000 Daniell et al.  
 6,101,478 A 8/2000 Brown  
 6,109,865 A 8/2000 Ishikawa  
 6,119,693 A 9/2000 Kwok et al.  
 6,129,524 A 10/2000 Woollenweber et al.  
 6,131,571 A 10/2000 Lampotang et al.  
 6,135,432 A 10/2000 Hebblewhite et al.  
 6,144,837 A 11/2000 Quy  
 6,152,132 A 11/2000 Psaros  
 6,158,978 A 12/2000 Norbury, Jr.  
 6,161,095 A 12/2000 Brown  
 6,185,095 B1 2/2001 Helot et al.  
 6,189,870 B1 2/2001 Withall  
 6,202,991 B1 3/2001 Coniglio et al.  
 6,210,116 B1 4/2001 Kuczaj et al.  
 6,213,119 B1 4/2001 Brydon et al.  
 6,216,691 B1 4/2001 Kenyon et al.  
 6,257,171 B1 7/2001 Rivard  
 6,279,574 B1 8/2001 Richardson et al.  
 6,308,706 B1 10/2001 Lammers et al.  
 6,332,462 B1 12/2001 Krohn  
 6,338,473 B1 1/2002 Hebblewhite et al.  
 6,340,288 B1 1/2002 Hulkkonen et al.  
 6,349,724 B1 2/2002 Burton et al.  
 D454,393 S 3/2002 Lynch et al.  
 6,374,826 B1 4/2002 Gunaratnam et al.  
 6,397,841 B1 6/2002 Kenyon et al.  
 6,398,197 B1 6/2002 Dickinson  
 6,435,180 B1 \* 8/2002 Hewson et al. .... 128/203.18  
 6,471,493 B2 10/2002 Choi et al.  
 D467,335 S 12/2002 Lithgow et al.

(56)

References Cited

U.S. PATENT DOCUMENTS

D468,011 S 12/2002 Lithgow et al.  
 D468,017 S 12/2002 McCombs  
 6,514,053 B2 2/2003 Takura et al.  
 6,532,961 B1 3/2003 Kwok et al.  
 6,543,449 B1 4/2003 Woodring et al.  
 6,554,260 B1 \* 4/2003 Lipscombe et al. .... 261/142  
 6,591,834 B1 7/2003 Colla et al.  
 6,604,390 B1 8/2003 Nooner  
 6,615,444 B2 9/2003 McGill et al.  
 6,622,724 B1 9/2003 Truitt et al.  
 6,672,300 B1 1/2004 Grant  
 D487,311 S 3/2004 Lithgow et al.  
 6,718,974 B1 \* 4/2004 Moberg ..... 128/204.14  
 D493,520 S 7/2004 Bertinetti et al.  
 D493,884 S 8/2004 Virr et al.  
 6,772,999 B2 8/2004 Lipscombe et al.  
 6,775,882 B2 8/2004 Murphy et al.  
 D498,527 S 11/2004 Virr et al.  
 6,827,340 B2 12/2004 Austin et al.  
 6,837,260 B1 1/2005 Kuehn  
 6,874,771 B2 4/2005 Birdsell et al.  
 6,896,478 B2 5/2005 Botros et al.  
 6,910,483 B2 6/2005 Daly et al.  
 6,918,389 B2 7/2005 Seakins et al.  
 6,935,337 B2 \* 8/2005 Virr et al. .... 128/203.16  
 7,096,864 B1 8/2006 Mayer et al.  
 7,111,624 B2 9/2006 Thudor et al.  
 7,137,388 B2 \* 11/2006 Virr et al. .... 128/203.17  
 7,225,809 B1 6/2007 Bowen et al.  
 7,413,173 B2 8/2008 DiMatteo et al.  
 7,614,398 B2 11/2009 Virr et al.  
 7,616,871 B2 11/2009 Kramer  
 7,677,246 B2 3/2010 Kepler et al.  
 8,091,547 B2 1/2012 Thudor et al.  
 RE44,453 E 8/2013 Virr et al.  
 8,550,072 B2 10/2013 Thudor et al.  
 2001/0017134 A1 8/2001 Bahr  
 2002/0020930 A1 2/2002 Austin et al.  
 2002/0022973 A1 2/2002 Sun et al.  
 2002/0056453 A1 5/2002 Klopp et al.  
 2002/0159897 A1 10/2002 Kegg et al.  
 2003/0062045 A1 4/2003 Woodring et al.  
 2003/0084900 A1 5/2003 Leclerc et al.  
 2003/0115085 A1 6/2003 Satoh  
 2003/0208465 A1 11/2003 Yurko et al.  
 2003/0230308 A1 12/2003 Linden  
 2004/0035422 A1 2/2004 Truitt et al.  
 2004/0055597 A1 3/2004 Virr et al.  
 2004/0060559 A1 4/2004 Virr et al.  
 2005/0005937 A1 1/2005 Farrugia et al.  
 2005/0103339 A1 5/2005 Daly et al.  
 2005/0217673 A1 10/2005 Daly et al.  
 2006/0191531 A1 8/2006 Mayer et al.  
 2006/0237005 A1 10/2006 Virr et al.  
 2007/0036662 A1 2/2007 Pesola et al.  
 2007/0134085 A1 6/2007 Daly et al.  
 2009/0229606 A1 9/2009 Tang et al.  
 2010/0229867 A1 9/2010 Bertinetti et al.

FOREIGN PATENT DOCUMENTS

DE 3005094 8/1981  
 DE 3623162 1/1987  
 DE 3823242 2/1990  
 DE 9014848 2/1991  
 DE 4138098 5/1993  
 DE 4244493 7/1993  
 DE 3789221 8/1994  
 DE 9317450 9/1994  
 DE 9409231 11/1994  
 DE 19630466 5/1998  
 DE 69409024 10/1998  
 DE 29817685 5/1999  
 DE 29909611 9/1999  
 DE 19936499 2/2001

DE 10016005 12/2001  
 DE 102005007773 9/2005  
 DE 19515739 11/2007  
 EP 0201985 11/1986  
 EP 0274996 7/1988  
 EP 0376584 7/1990  
 EP 0 589 429 B1 3/1994  
 EP 0589429 3/1994  
 EP 0845277 6/1998  
 EP 0893750 1/1999  
 EP 0903160 3/1999  
 EP 1023912 8/2000  
 EP 1 055 431 A2 11/2000  
 EP 1055431 11/2000  
 EP 1087322 3/2001  
 EP 1318307 6/2003  
 EP 1374938 1/2004  
 FR 2323436 4/1977  
 FR 2714985 7/1995  
 GB 1556492 11/1979  
 GB 2177006 1/1987  
 JP 7-145795 6/1995  
 JP 11-398 1/1999  
 JP 2000-337670 12/2000  
 JP 2001-160102 6/2001  
 JP 2002-206498 7/2002  
 JP 2002-253672 9/2002  
 JP 2002-306601 10/2002  
 NZ 503495 3/2001  
 WO WO 93/05451 3/1993  
 WO WO 95/15778 6/1995  
 WO WO 97/32619 9/1997  
 WO WO 98/04311 2/1998  
 WO WO 98/31937 7/1998  
 WO WO 98/33433 8/1998  
 WO WO 98/57691 12/1998  
 WO WO 99/13932 3/1999  
 WO WO 99/22794 5/1999  
 WO WO 99/64747 12/1999  
 WO WO 00/13751 3/2000  
 WO WO 00/21602 4/2000  
 WO WO 00/27457 5/2000  
 WO WO 00/32261 6/2000  
 WO WO 01/10489 2/2001  
 WO WO 01/32069 5/2001  
 WO WO 01/73653 10/2001  
 WO WO 02/02169 1/2002  
 WO WO 02/066106 8/2002  
 WO WO 02/066107 8/2002  
 WO WO 2007/019628 2/2007  
 WO WO 2009/059359 5/2009  
 WO WO 2009/156921 12/2009  
 WO WO 2010/092496 8/2010

OTHER PUBLICATIONS

Breas Medical AB "iSleep® 20" Brochure, Dec. 2007, 2 pages.  
 Communication dated Jul. 1, 2010 in European Appln. No. 02 700 014.0 (5 pages).  
 Communication Pursuant to Article 94(3) EPC (examination report) dated Jun. 12, 2015 in European Application No. 02 700 014.0 (3 pages).  
 Communication Pursuant to Article 94(3) EPC (examination report) dated Jun. 5, 2015 in European Application No. 10 189 422.8 (4 pages).  
 Communication Pursuant to Article 94(3) EPC (European Examination Report) dated Oct. 7, 2015 in EP Application No. 12 159 042.6 (4 pages).  
 Communication Pursuant to Article 94(3) EPC dated Feb. 4, 2015 in European Application No. 12 159 042.6 (4 pages).  
 Complaint for Patent Infringement—Jury Trial Demanded as filed in the United States District Court, Southern District of California, Case No. '13CV1246 MMAWMC, dated May 31, 2013, 18 pages.  
 ITC Action related to Certain Sleep-Disordered Breathing Treatment Systems and Components Thereof, Inv. No. 337-TA- , CBI 13-185, filed on Mar. 28, 2013, 57 pages.

(56)

**References Cited**

## OTHER PUBLICATIONS

ResMed's First Amended Complaint for Patent Infringement, filed in the United States District Court Central District of California Southern Division, filed on Apr. 8, 2013, 342 pages.

Correspondence regarding FDA 510(k) submission, exhibit 1025 in case No. IPR2016-01727 dated Aug. 6, 1997, 5 pages.

De Vilbiss® Healthcare, "DeVilbiss IntelliPAP® Standard CPAP System," Nov. 2007, 2 pages.

Declaration of Joseph Dyro, Petition Exhibit 1007.

Examination Report dated Oct. 10, 2003 in New Zealand Appln. No. 527088 (2 pages).

Extended European Search Report dated Apr. 28, 2011 in European Appln. No. 10189422.8 (5 pages).

Extended European Search Report dated May 4, 2012 in European Appln. No. 12159042.6 (5 pages).

Final Notice of Reasons for Rejection delivered Sep. 24, 2008 in Japanese Appln. No. 2002-565664, with English translation (6 pages).

Fischer & Paykel, "Two Easy Steps to Comfort", 4 pages, Aug. 1995.

Fisher & Paykel Healthcare "SleepStyle™ 200 CPAP Series" Specification Sheet, 1998, 4 pages.

Fisher & Paykel Healthcare "SleepStyle™ 200 CPAP Series" Specification Sheet, 2005, 4 pages.

Fisher & Paykel Healthcare "SleepStyle™ 600 CPAP Series" Specification Sheet, 2005, 4 pages.

Fisher & Paykel Healthcare Two Easy Steps to Comfort, Humidification and Nasal CPAP Therapy, Aug. 1995, 4 pages.

Fisher & Paykel Healthcare, "HC200 Series Nasal CPAP Blower & Heated Humidifier User's Manual", 1998, 17 pages.

Fisher & Paykel Limited, New Zealand Application No. 503495, filed Mar. 21, 2000, 29 pages.

German Patient Manual for Hoffrichter/Sandmann CPAP Respirator—Perfect CPAP Therapy, 30 pages plus Translation Verification Certificate, Mar. 1998.

HC200 Series Nasal CPAP Blower and Heated Humidifier Fisher & Paykel Healthcare, 17 pages.

Hoffrichter "Vector CP AP—Therapy With Technical Mastery", 4 pages, Oct. 1998.

Hoffrichter GmbH "Vector therapy in perfection" Brochure, 2002, 2 pages.

International Preliminary Examination Report dated Oct. 4, 2002 in International Appln. No. PCT/AU02/00155 (3 pages).

International Search Report dated Mar. 21, 2002 in International Appln. No. PCT/AU02/00155 (2 pages).

J. H. Emerson Co., Cough Assist, "Non-Invasive Removal of Bronchial Secretions," 2 pages.

Madaus Schwarzer Medizintechnik, "New Approaches in Diagnosis and Therapy—Moritz biLevel User Manual", May 1994, 38 pages.

Madaus Schwarzer Medizintechnik, "New Approaches in Diagnosis and Therapy—Max nCPAP User Manual", Mar. 1994, 38 pages.

MAP Medizintechnik fuer Arzt and Patient "max II nCP AP moritz II biLevel—The gentle therapy for sleep-related breathing disorders" Brochure, 2000, 4 pages.

MAP Medizintechnik, "minni Max nCPAP®" brochure, 12 pages, Mar. 2005.

MAP Medizintechnik, "Moritz II biLEVEL®—The gentle therapy for sleep-related breathing disorders" brochure, 6 pages, Jan. 2001.

MAP Medizin-Technologie GmbH "minni Max nCP AP®, The respiratory therapy device with out an integrated humidifier", Dec. 2003, 17 pages.

MAP Medizin-Technologie GmbH, Moritz® S/Moritz® ST—Sailing toward therapeutic success . . . , Jul. 2004, 4 pages.

Microfilm of Japanese Utility-Model Application No. S54-003858 (Japanese Utility-Model Application Publication No. S55-104925).

Motion to Amend the Complaint and Notice of Investigation as filed in the United States International Trade Commission, Investigation No. 337-TA-879, dated May 31, 2013, 18 pages.

Notification of Acceptance of Request for Invalidation and English Translation for corresponding Chinese Patent No. 02804936.5, dated Mar. 20, 2014, 188 pages.

Notification of Acceptance of Request for Invalidation, dated Dec. 24, 2014, in Chinese Patent No. 02804936.5, with English translation, 62 pages.

Notification of Reasons for Rejection dated Feb. 19, 2008 in Japanese Appln. No. 2002-565664, with English translation (5 pages).

Notification of Second Office Action dated Jan. 27, 2006 in Chinese Appln. No. 02804936.5, with English Translation (6 pages).

Notification of the First Office Action dated Jul. 22, 2005 in Chinese Appln. No. 02804936.5, with English translation (8 pages).

Office Action dated Jan. 22, 2008 in Japanese Patent Appln. No. 2002-565665 (w/English translation) (12 pages).

Patent Owner Exhibit No. 2001 in IPR2014-00551, Applicant Transmittal to USPTO re Completion of National Phase Filing of the PCT Application for the Mayer Reference, Aug. 6, 2002, 4 pages.

Patent Owner Exhibit No. 2002 in IPR2014-00551, Re. 44,453 Patent Application Data Sheet, Initial May 4, 2011, 5 pages.

Patent Owner Exhibit No. 2003 in IPR2014-00551, Decision of the Patent Trial and Appeal Board Denying Institution of Inter Partes Review of U.S. Pat. No. 7,614,398, entered Feb. 20, 2014, 5 pages.

Patent Owner Exhibit No. 2005 in IPR2014-00551, U.S. National Stage Worksheet of USPTO re National Phase Requirements Completion for the Mayer Reference, 1 page.

Patent Owner Exhibit No. 2010 in IPR2014-00551, Deposition Transcript of Dr. Joseph F. Dyro in Connection with Inter Partes Review Proceedings IPR2013-00511, IPR2013-00512, IPR2013-00514, IPR2013-00515, and IPR2013-00516, Apr. 21, 2014, 46 pages.

Patent Owner Exhibit No. 2011 in IPR2014-00551, Patent Owner ResMed Limited's Preliminary Response to Apex Medical Corp.'s Petition for Inter Partes Review of U.S. Pat. No. 7,614,398, Case No. IPR2013-00513, Nov. 22, 2013, 15 pages.

Petition Exhibit 1003 in IPR2014-01 196, REMStar® Heated Humidifier Manual, Mar. 15, 2001, 8 pages.

Petition Exhibit 1004 in IPR2014-01363, Declaration of Steve Bordewick, Aug. 22, 2014, 90 pages.

Petition Exhibit 1004 in IPR2014-01 196, Declaration of Steve Bordewick, Jul. 22, 2014, 59 pages.

Petition Exhibit 1006 in IPR2014-00551, Patent Owner Amendment mailed Mar. 27, 2009, in U.S. Appl. No. 11/181,807, 10 pages.

Petition Exhibit 1006 in IPR2014-01 196, Patent Owner ResMed Limited's Preliminary Response filed Jul. 10, 2014, in IPR2014-00551, 41 pages.

Petition Exhibit 1007 in IPR2014-00551, Declaration of Joseph Dyro in Support of Inter Partes Review of U.S. Pat. No. Re. 44,453, executed Mar. 26, 2014, 15 pages.

Petition Exhibit 1007 in IPR2014-01 196, ITC Investigation No. 337-TA-890.; Order No. 7: Initial Determination Granting Complainants' Motion to Amend Complaint and Notice of investigation and Granting Respondents' Motion to Terminate the Investigation with Respect to U.S. Pat. No. 7,614,398, served Feb. 4, 2014, 8 pages.

Petition Exhibit 1008 in IPR2014-01 196, Case No. 13-cv-1246-CAB (WMC), Order on Motion to Stay, Motion to Dismiss, and Related Discovery Request, Oct. 15, 2013, 3 pages.

Petition Exhibit 1009 in IPR2014-01 196, Case No. SACV 13-00498: Order Granting Defendants' Motion to Stay Litigation Pending Inter Partes Review, Oct. 4, 2013, 3 pages.

Petition Exhibit 1010 in IPR2014-01 196: Patent Prosecution History of Reissue U.S. Appl. No. 13/944,960, filed Jul. 18, 2013, 228 pages.

Petition Exhibit 1011 in IPR2014-01 196: Patent Prosecution History of U.S. Pat. No. 7,614,398, 174 pages.

Petition Exhibit No. 1012 in IPR2014-01 196: Patent Prosecution History of Reissue U.S. Pat. No. Re. 44,453, 2157 pages.

Petition Exhibit No. 1013 in IPR2014-01 196: Proof of Service of 3B Medical, Inc. In Civil Action No. 13-cv-1246-MMA-WMC, 5 pages.

(56)

**References Cited**

## OTHER PUBLICATIONS

Petition Exhibit No. 1014 in IPR2014-01 196: Australian Application No. PR 3117, filed Feb. 16, 2001, 17 pages.

Petition Exhibit No. 1015 in IPR2014-01196: ITC Investigation No. 337-TA-890: Order No. 8: Construing Terms of the Asserted Patents, served Jan. 17, 2014, 51 pages.

Petition Exhibit No. 1016 in IPR2014-01196: ITC Investigation No. 337-TA-890: Order No. 14: Denying Respondents' Motion for Summary Determination of Invalidity of U.S. Pat. No. Re. 44,453, served Mar. 26, 2014, 19 pages.

Petition Exhibit No. 1020 in IPR2014-01 196: Australian Application No. PR 7288, filed Aug. 27, 2001, 23 pages.

Petition Exhibit No. 1022 in IPR2014-01196: ITC Investigation No. 33 7-T A-890: Notice of Commission Determination Not to Review an Initial Determination Granting the Complainants' Motion to Amend the Complaint and Notice of Investigation to Substitute U.S. Pat. No. Re. 44,453 for U.S. Pat. No. 7,614,398 and Granting Respondents' Motion to Terminate the Investigation with Respect to U.S. Pat. No. 7,614,398, Issued: Feb. 10, 2014, 3 pages.

Petition for Inter Partes Review of U.S. Pat. No. 7,614,398, mailed on Aug. 16, 2013.

Petition for Inter Parties Review of U.S. Pat. No. Re. 44,453, *BMC Medical Co. Ltd.*, Petitioner v. *ResMed Limited*, Patent Owner, Case No. IPR2014-01363, Aug. 22, 2014, 66 pages.

Petition for Inter Parties Review of U.S. Pat. No. Re. 44,453 Under To 35 U.S.C. §§ 311 et seq. and 37 C.F.R. §42.100 et seq., *Apex Medical Corp.*, Petitioner v. *ResMed Limited*, Patent Owner, Case No. IPR2014-00551, Mar. 27, 2014, 38 pages.

Petition for Inter Parties Review of U.S. Pat. No. Re. 44,453 Under To 35 U.S.C. §§311-319 and 37 C.F.R. §42.100 et seq., *BMC Medical Co. Ltd.*, Petitioner v. *ResMed Limited*, Patent Owner, Case No. IPR2014-01 196, Jul. 23, 2014, 62 pages.

Photos of HumidAire™, 11 pages.

Photos of MAP Humidifier and Tub, 2 pages and cover sheet, undated.

Photos of tray system available before the critical date, with sample flow generator and humidifier, 5 pages.

ResMed "Sullivan® HumidAire® User's Instructions", 8 pages, 1998.

ResMed, "The Sullivan® HumidAire™", 1997, 1 page.

Respironics "System One Heated Humidifier User Manual", May 2009, 20 pages.

SleepStyle600 CPAP Series Operating Manual, Thermo Smart, www.Manualslib.com, Fisher & Paykel Healthcare, 11 Pages.

Stuff.co.nz, Sleeping beautifully article, exhibit 1024 in case No. IPR2016-01730 dated Dec. 17, 2013, 4 pages.

Sullivan HumidAire User's Instructions, exhibit 1027 in case No. IPR2016-01727, 8 pages.

Supplementary European Search Report dated Sep. 15, 2009 in European Appln. No. 02700014.0, (3 pages).

U.S. International Trade Commission, Inv. No. 337-TA-890, "Notice of the Commission's Final Determination; Issuance of a Limited Exclusion Order and Cease and Desist Orders; Termination of the Investigation," Issued Dec. 23, 2014, 25 pages.

U.S. International Trade Commission, Inv. No. 337-TA-890, "Office of Unfair Import Investigations' Petition for Review of the Initial Determination," dated Nov. 7, 2014 (Public Version Filed: Dec. 3, 2014), 5 pages.

U.S. International Trade Commission, Inv. No. 337-TA-890, "Office of Unfair Import Investigations' Petition for Review of the Initial Determination," dated Sep. 11, 2014 (Public Version Filed: Oct. 8, 2014), 37 pages.

U.S. International Trade Commission, Inv. No. 337-TA-890, "Office of Unfair Import Investigations' Petition for Review of the Initial Determination," dated Sep. 3, 2014 (Public Version Filed: Oct. 8, 2014), 34 pages.

U.S. Patent and Trademark Office, Case IPR2014-01196 and IPR2014-01363, U.S. Pat. No. Re. 44,453 E, "Scheduling Order," Entered: Jan. 21, 2015, 9 pages.

U.S. Patent and Trademark Office, Case IPR2014-01196, U.S. Pat. No. Re. 44,453 E, "Decision Institution of Inter Partes Review 37 C.F.R. §42.108," Paper No. 7, Entered: Dec. 21, 2014, 11 pages.

United States Patent and Trademark Office, Before the Patent Trial and Appeal Board, *BMC Medical Co., Ltd., 3B Products, L.L.C. and 3B Medical Inc.* (Petitioner) v. *ResMed Limited* (Patent Owner), Final Written Decision, Paper 25, Entered Jan. 19, 2016 in IPR2014-01196 (14 pages).

United States Patent and Trademark Office, Before the Patent Trial and Appeal Board, *BMC Medical Co., Ltd., 3B Products, L.L.C. and 3B Medical Inc.* (Petitioner) v. *ResMed Limited* (Patent Owner), Final Written Decision, Paper 25, Entered Jan. 20, 2016 in IPR2014-01363 (39 pages).

US. Patent and Trademark Office, Case IPR2014-01363, U.S. Pat. No. Re. 44,453 E, Decision Institution of Inter Partes Review 37 C.F.R. §42.108, Paper No. 7, Entered: Jan. 21, 2015, 21 pages.

\* cited by examiner

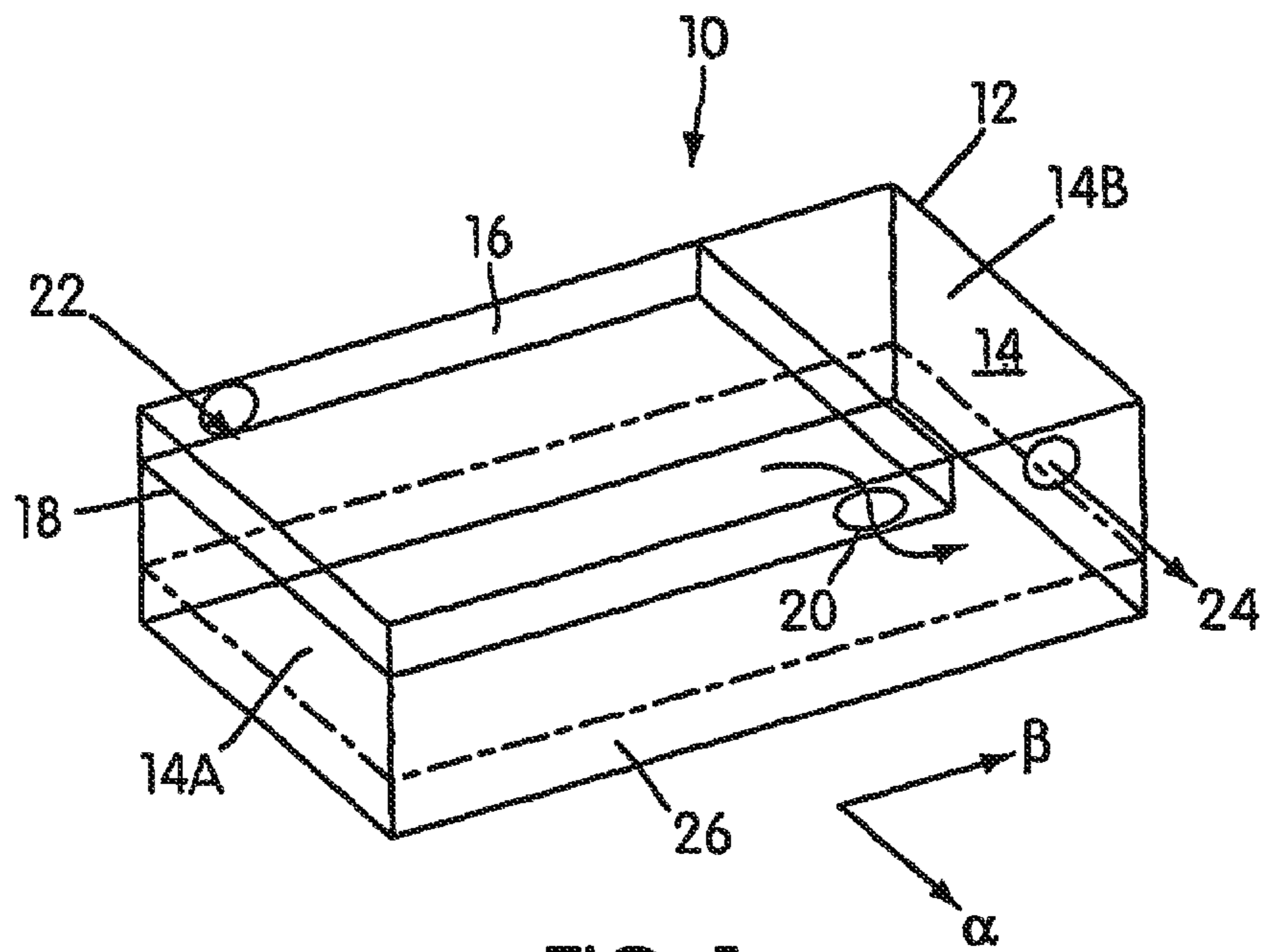


FIG. 1

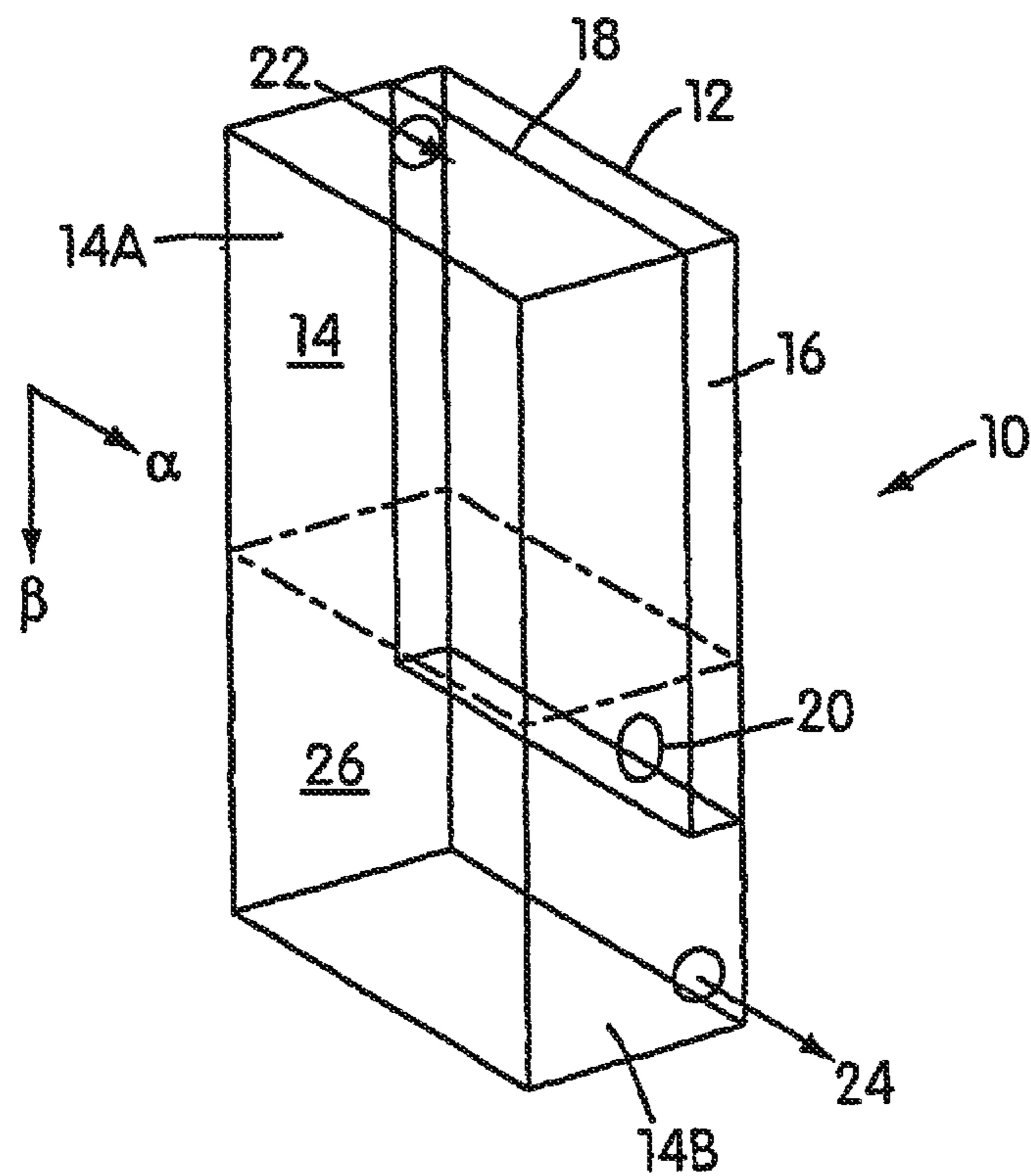


FIG. 2

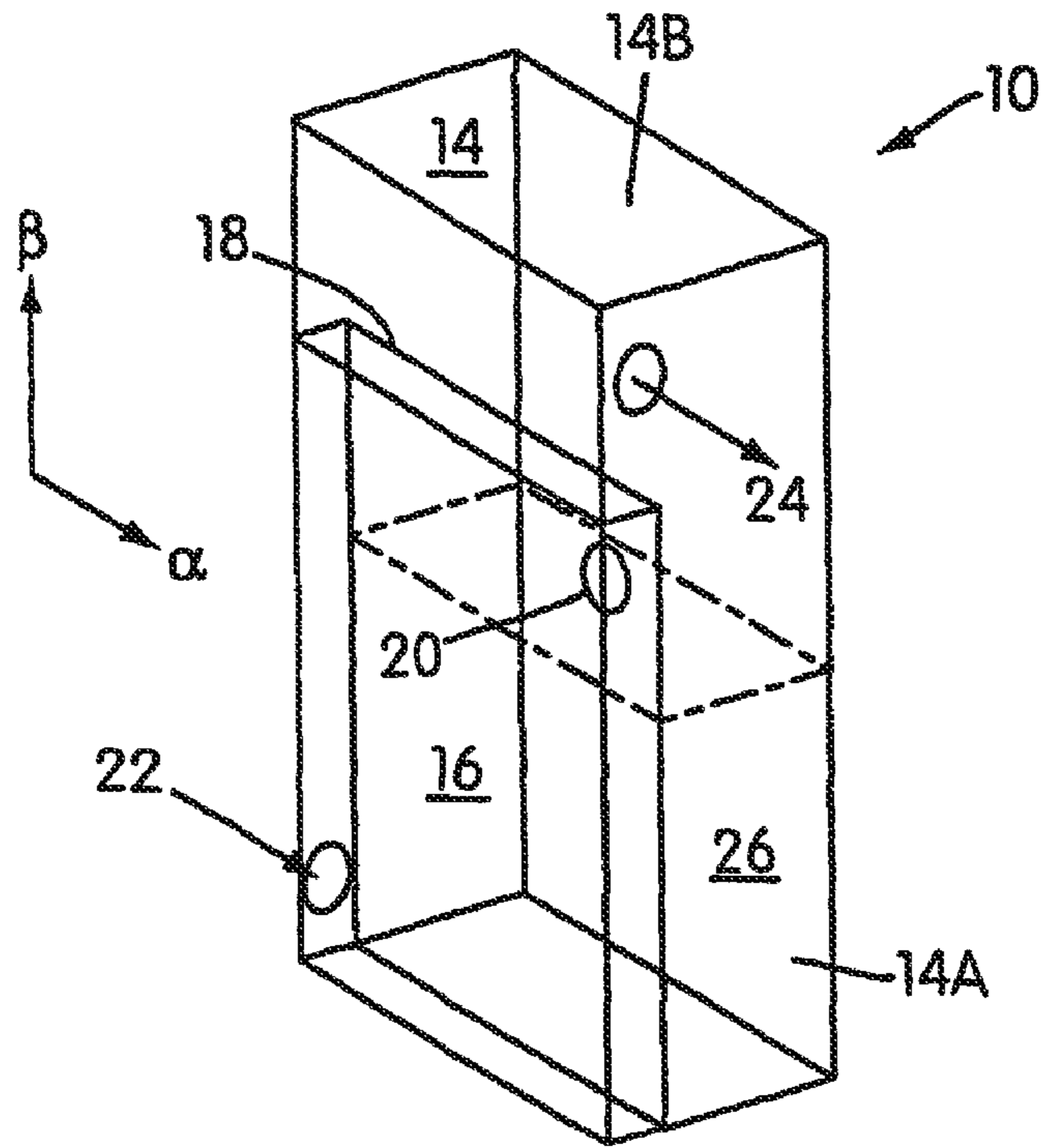


FIG. 3

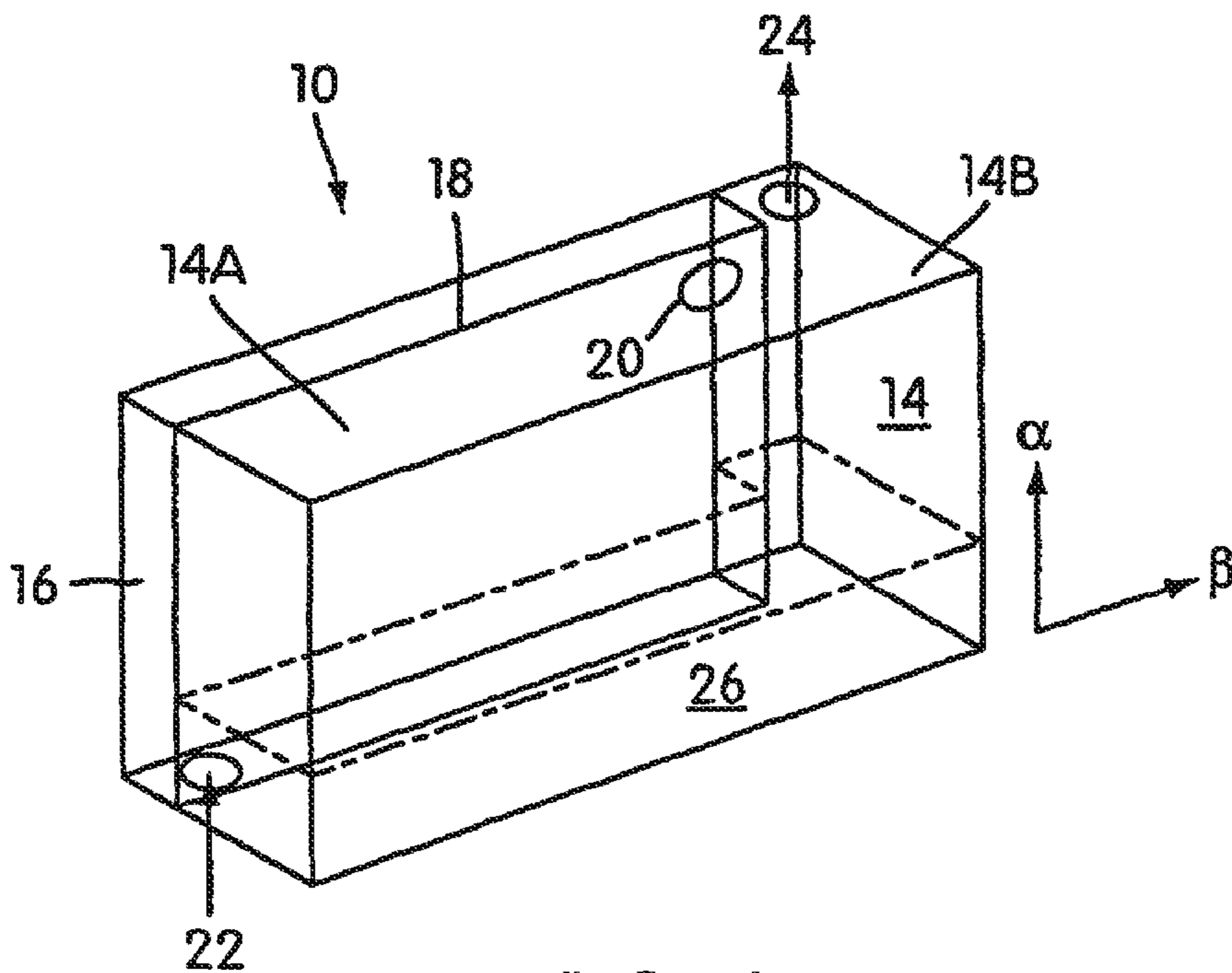


FIG. 4

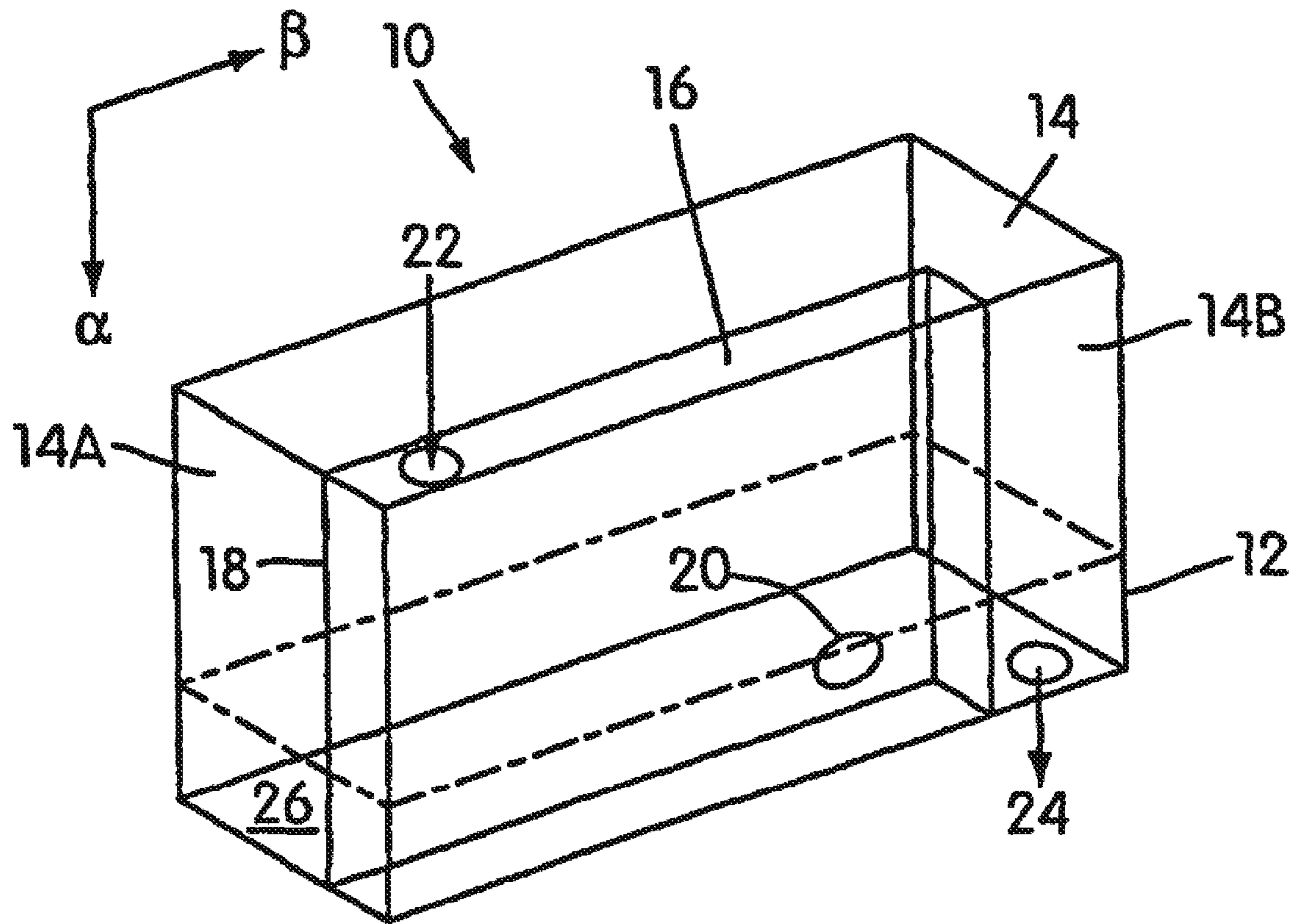


FIG. 5



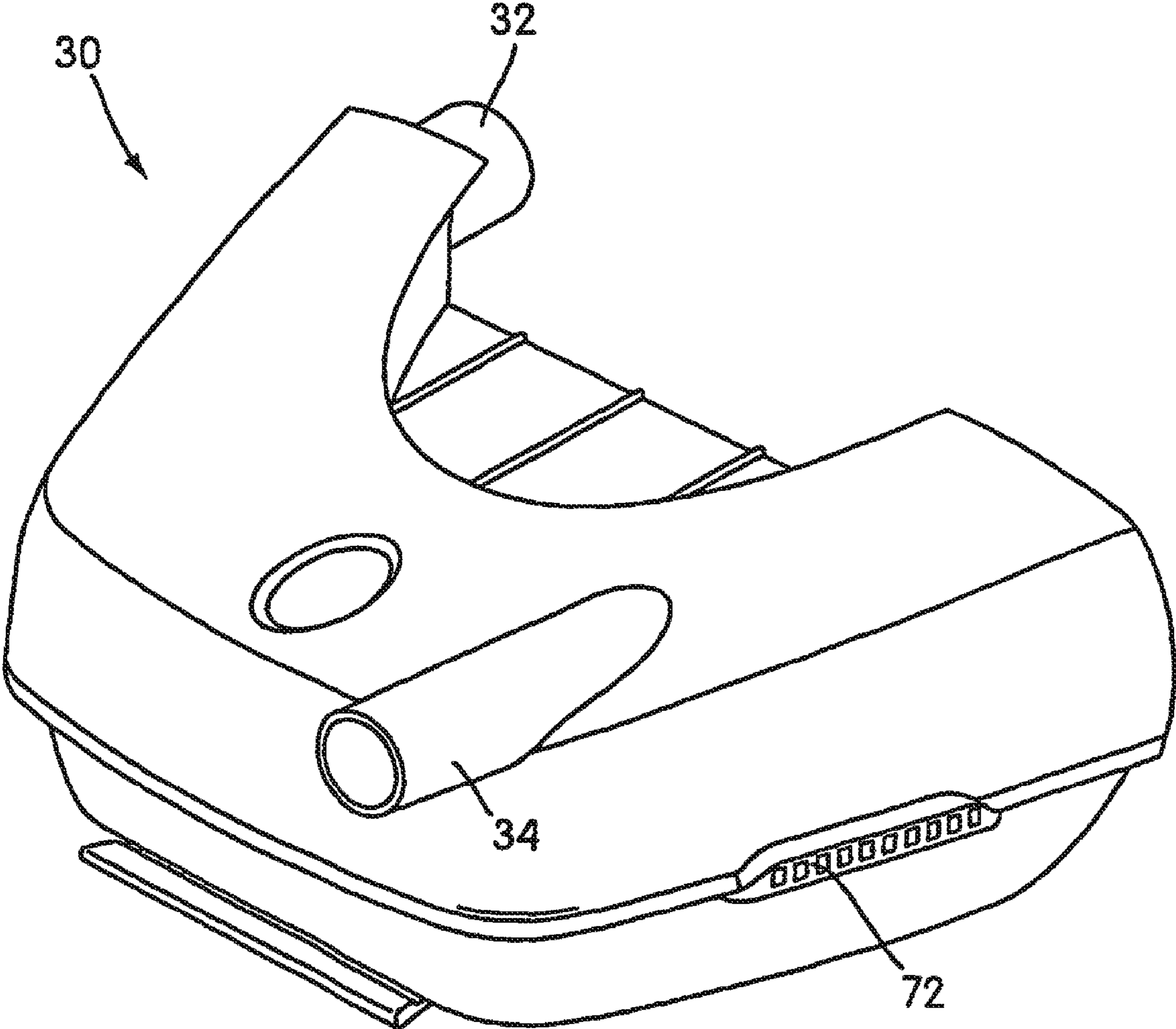


FIG. 6

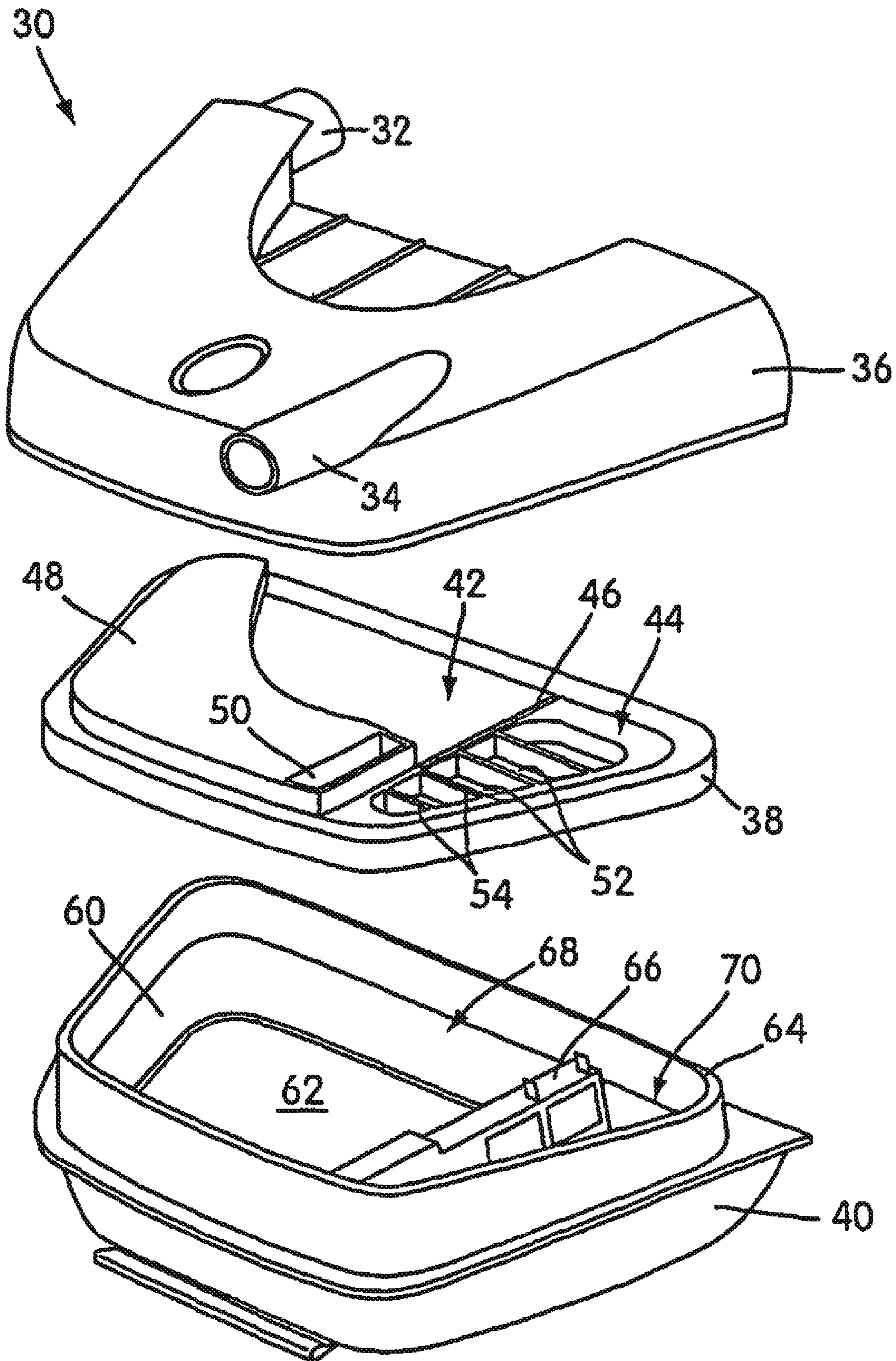


FIG. 7

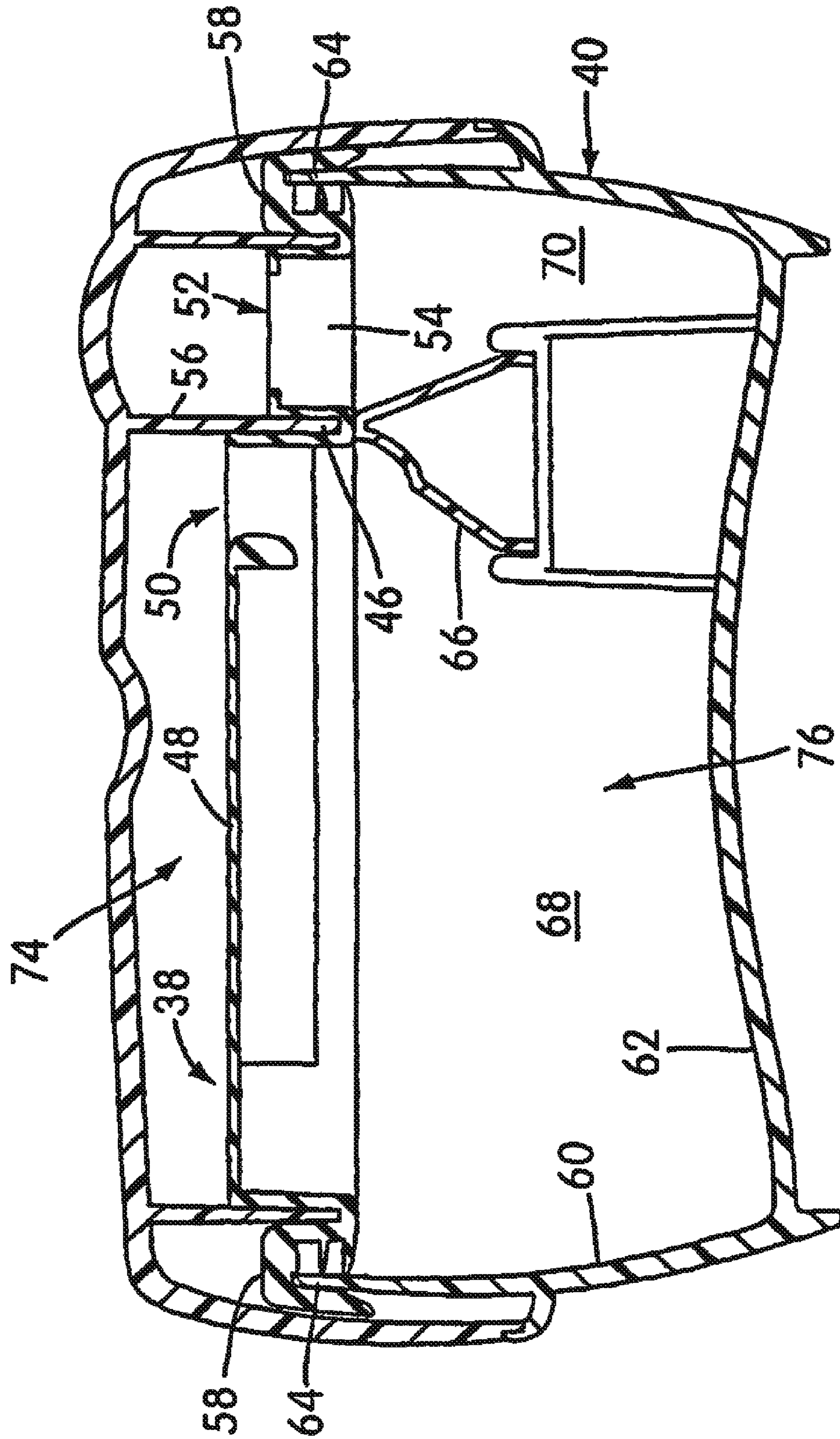


FIG. 8

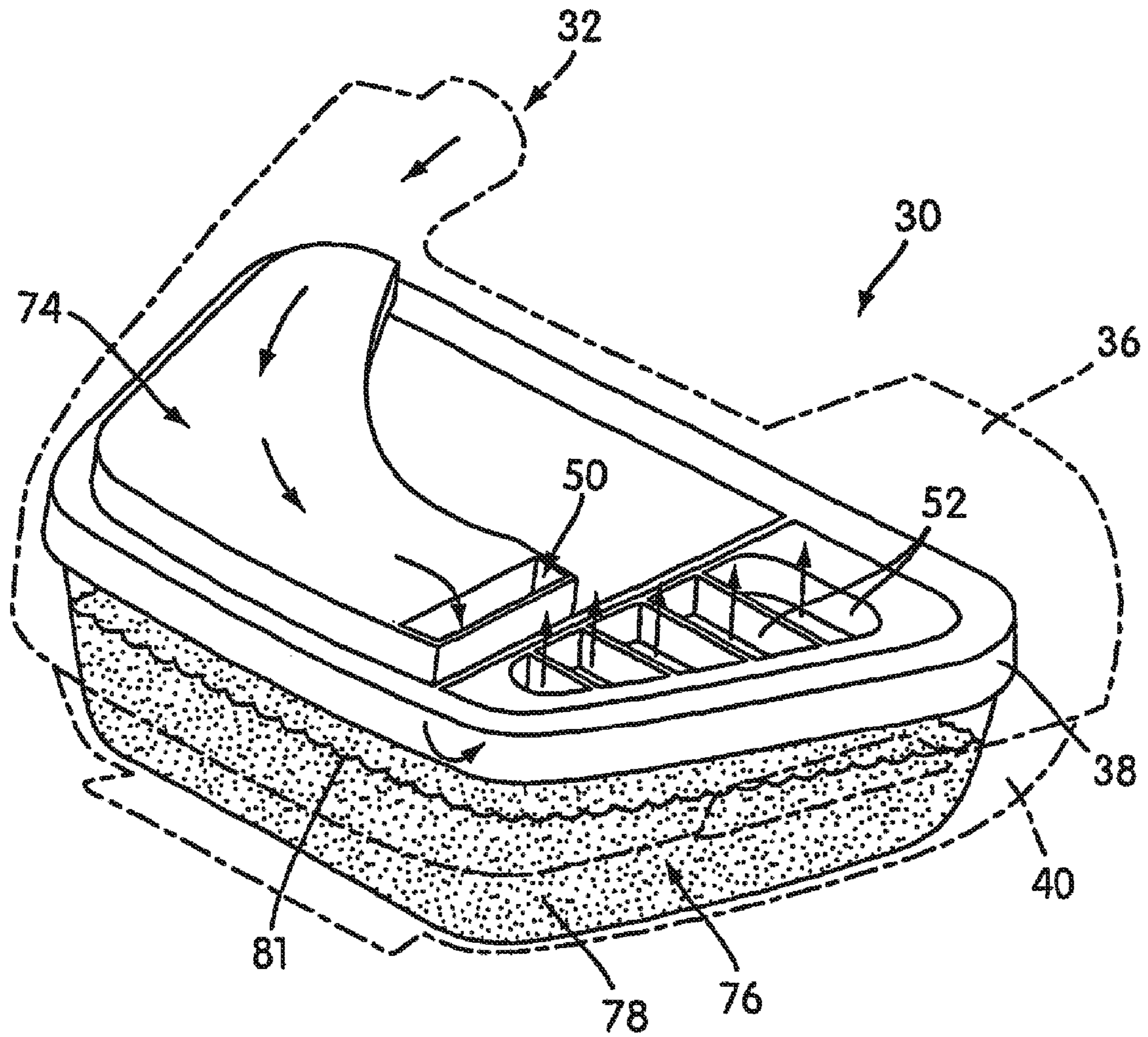


FIG. 9

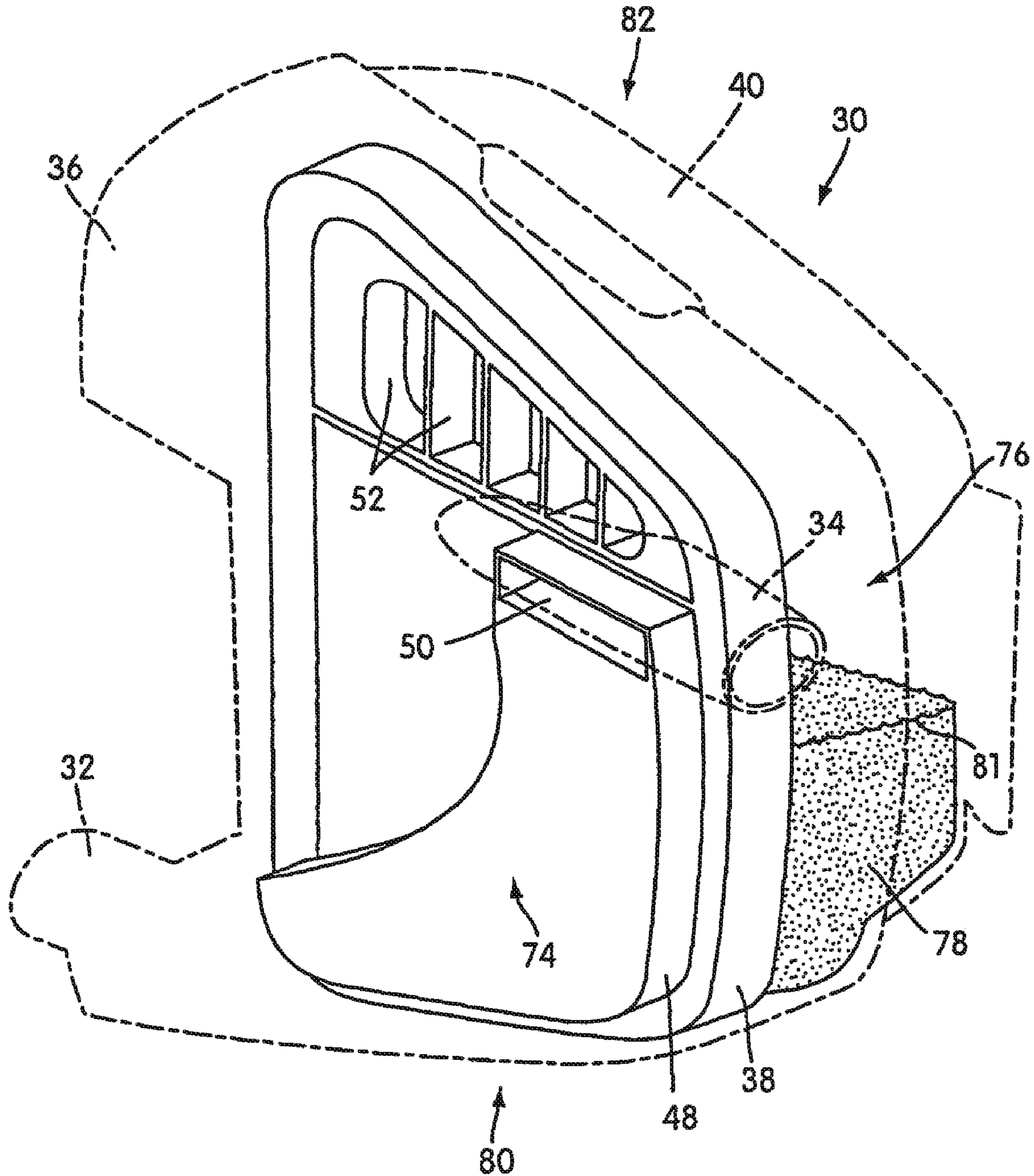


FIG. 10

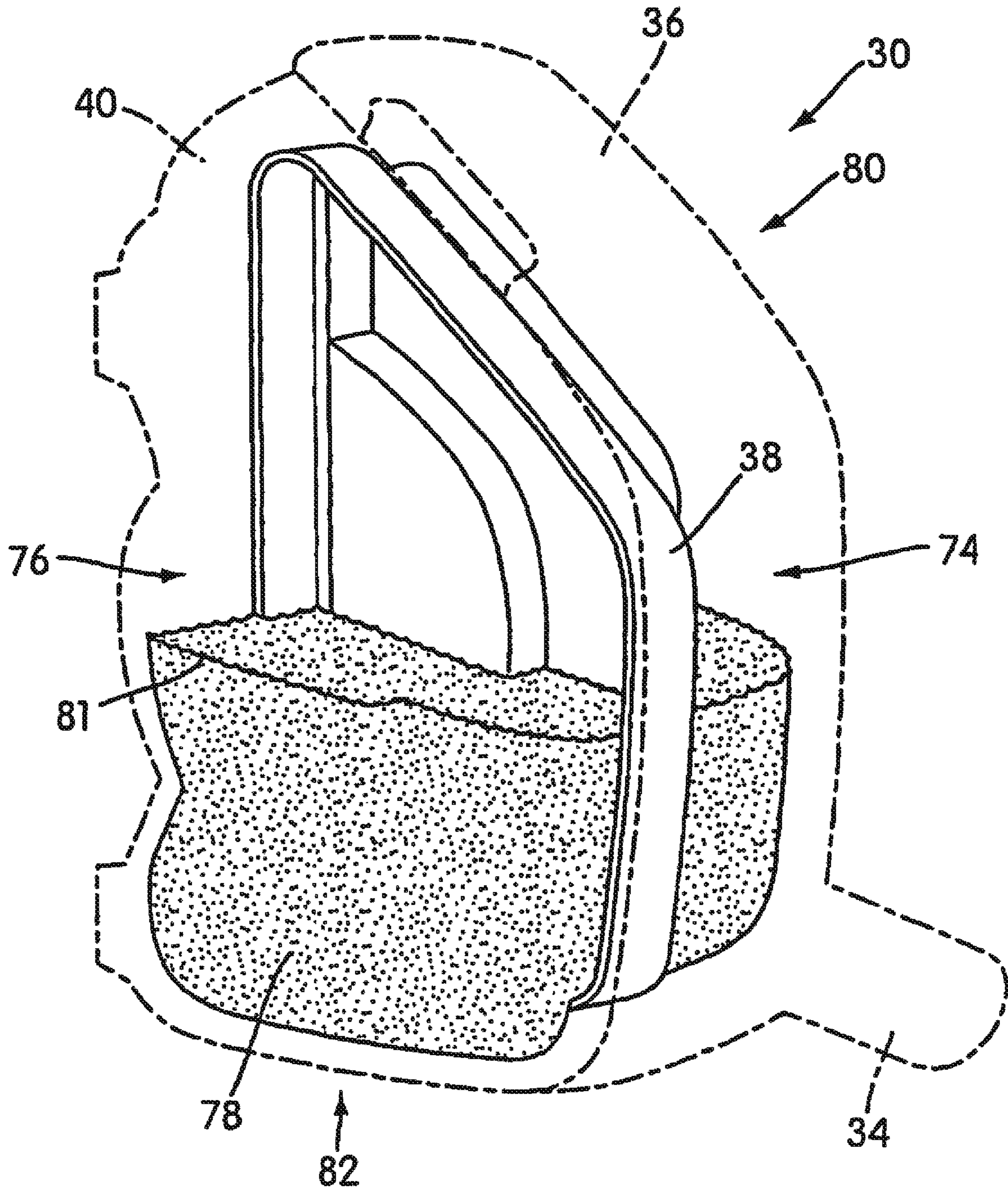


FIG. 11

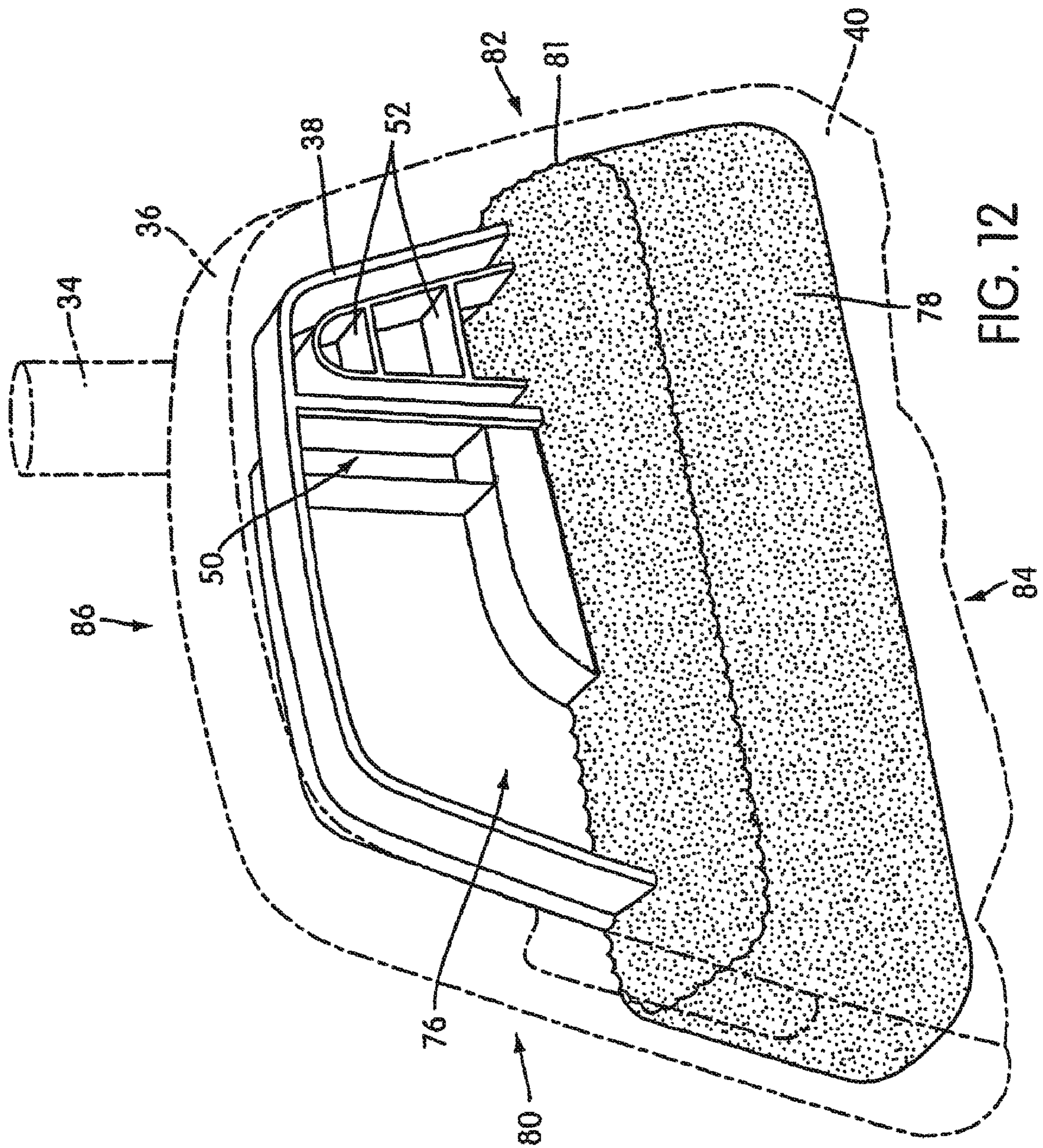
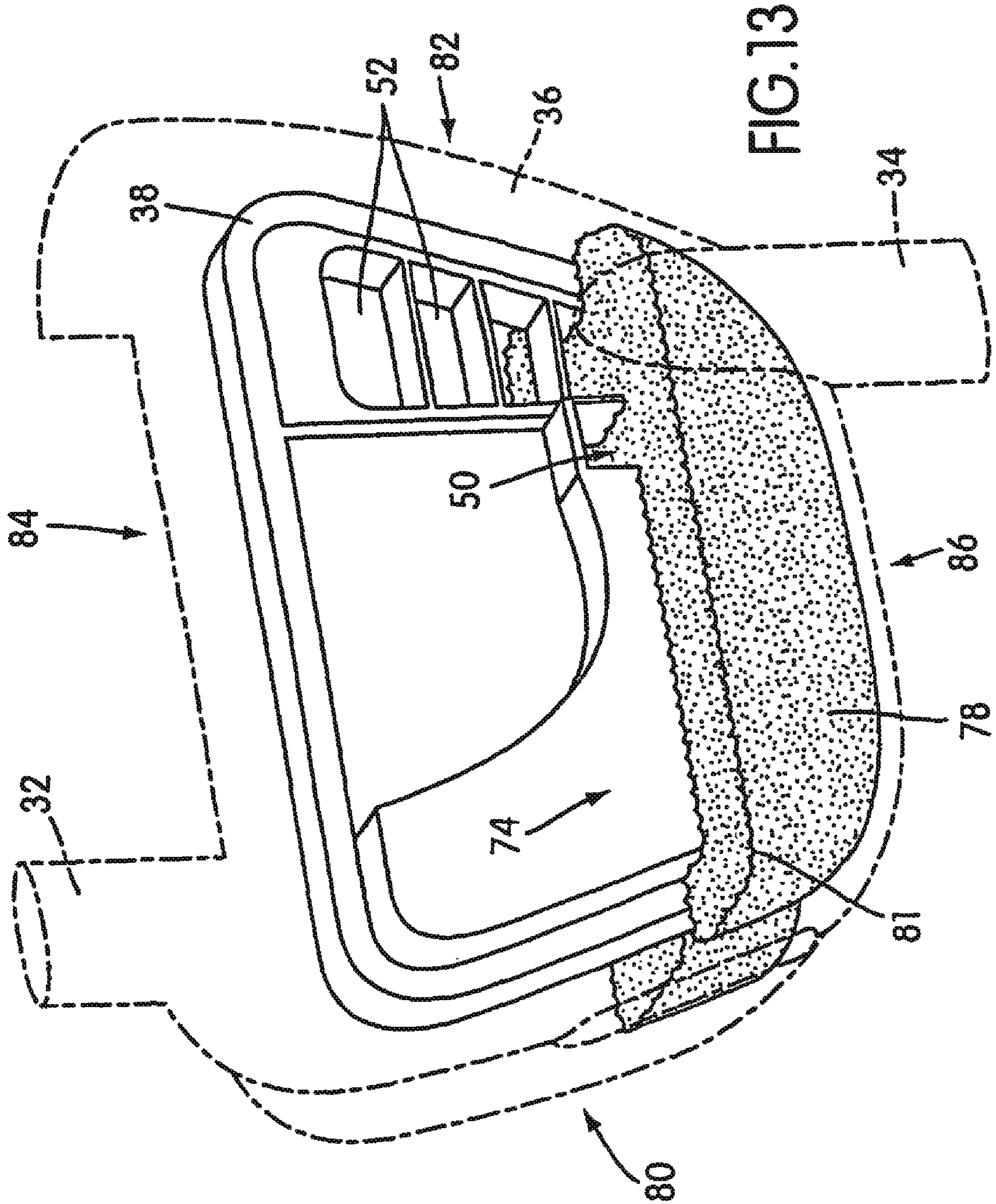
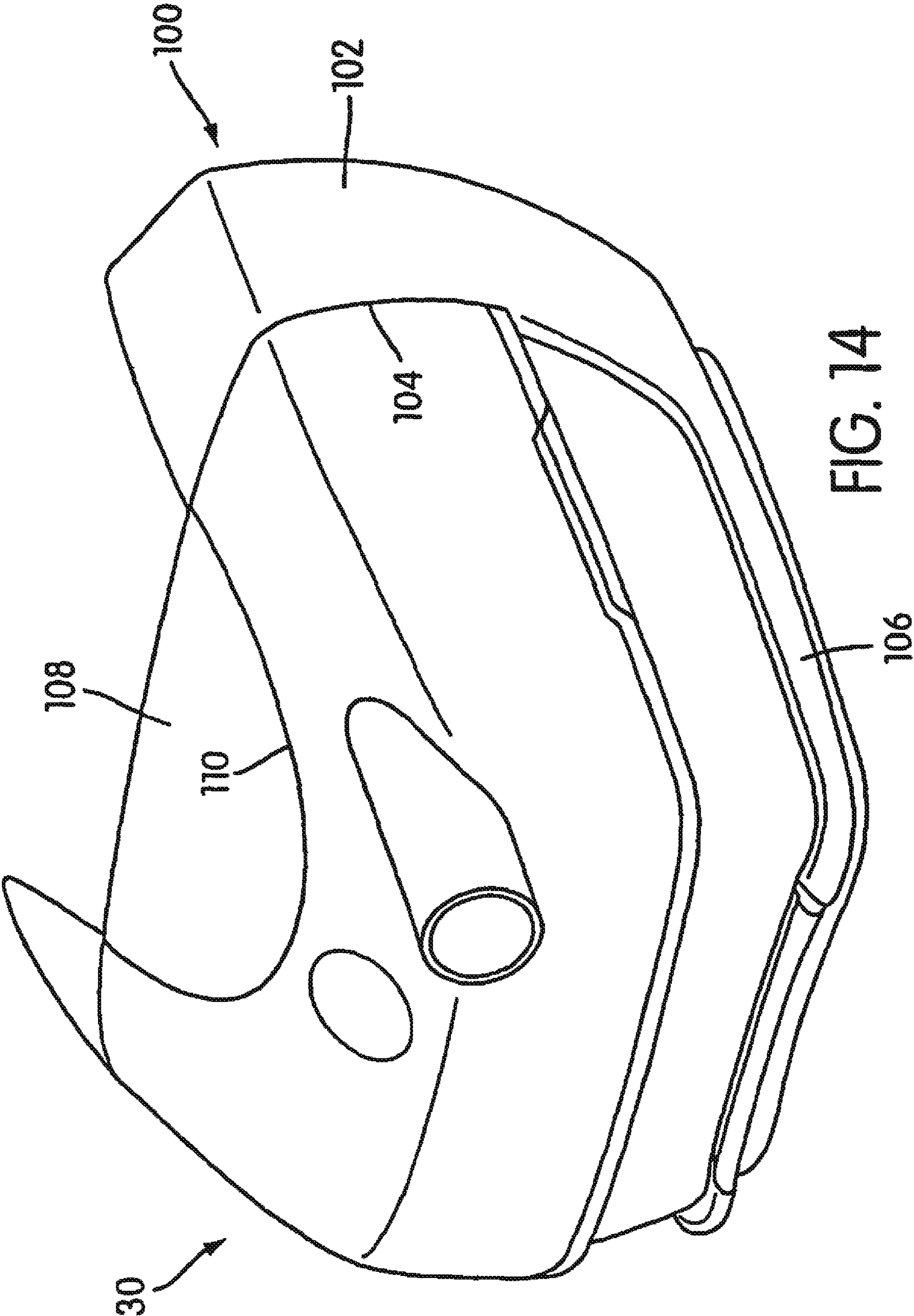


FIG. 12







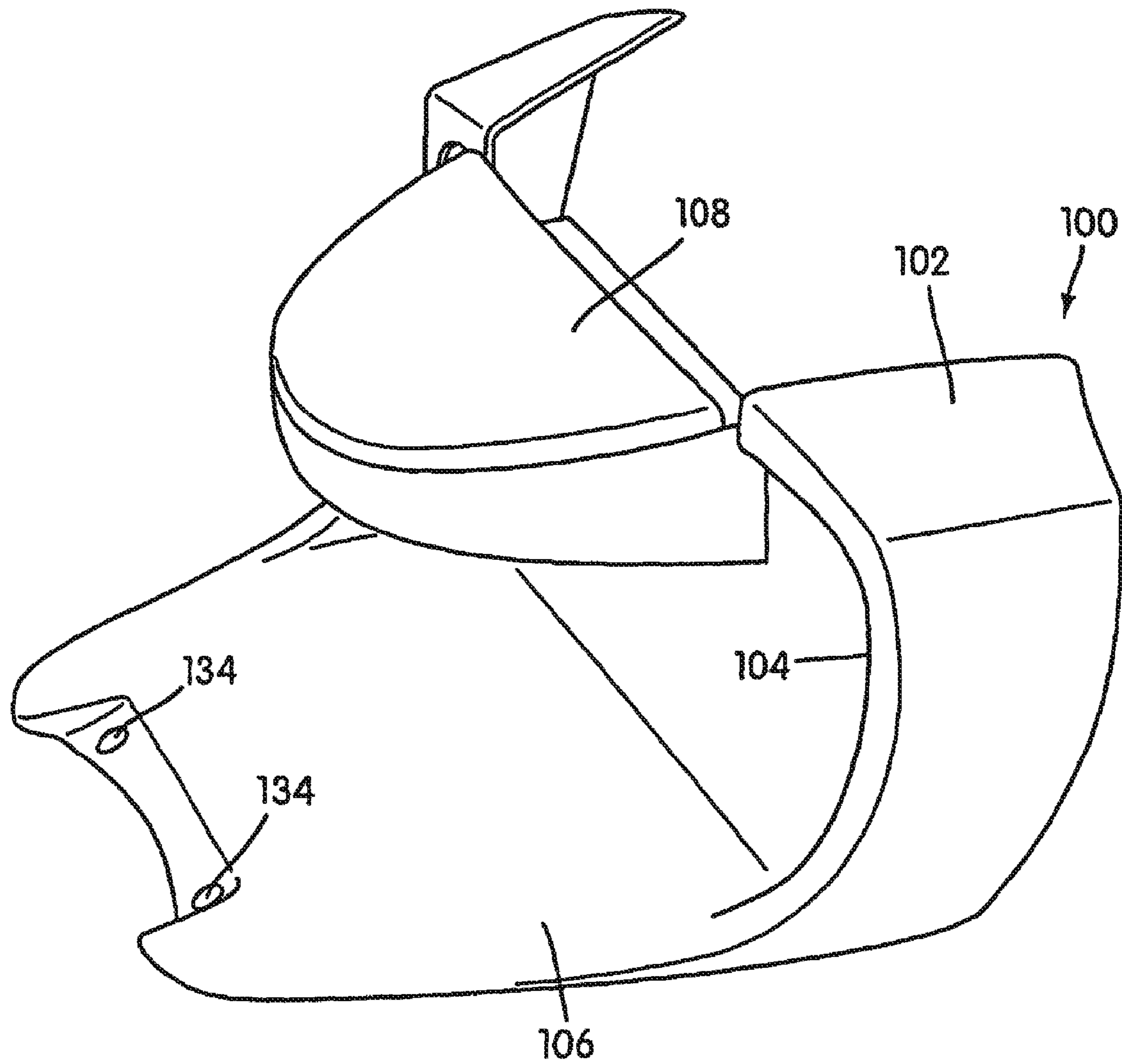


FIG. 15

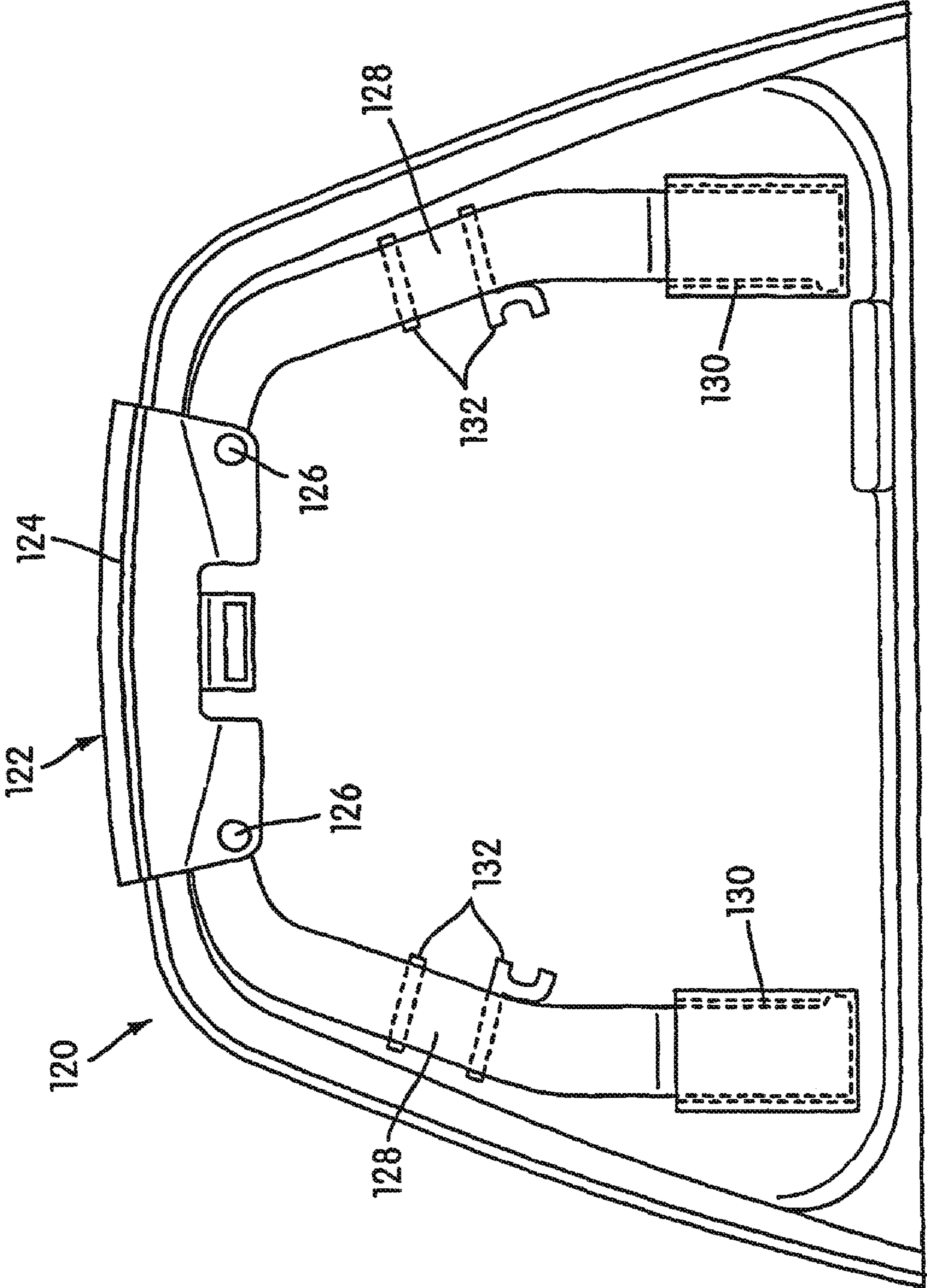


FIG. 16

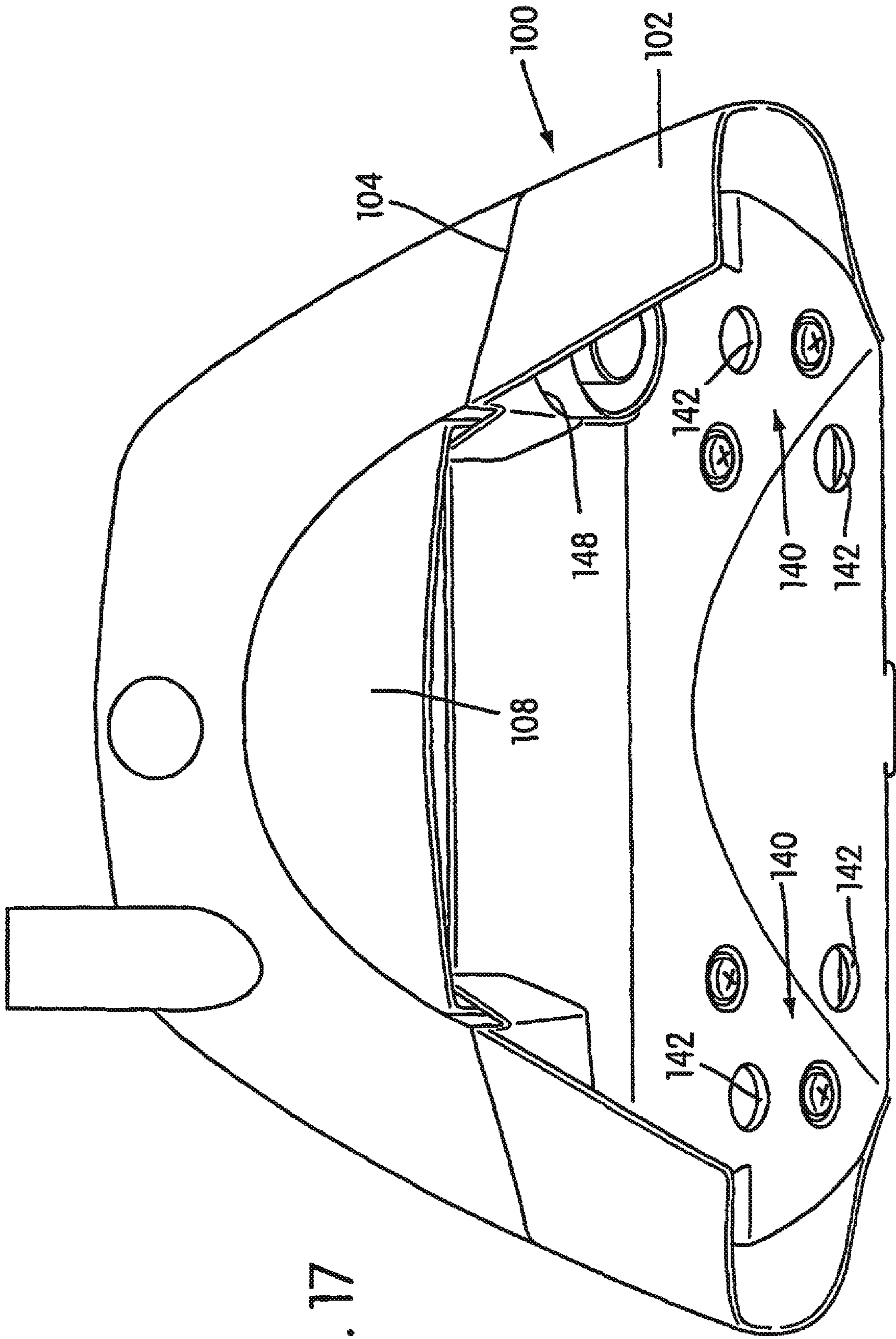


FIG. 17

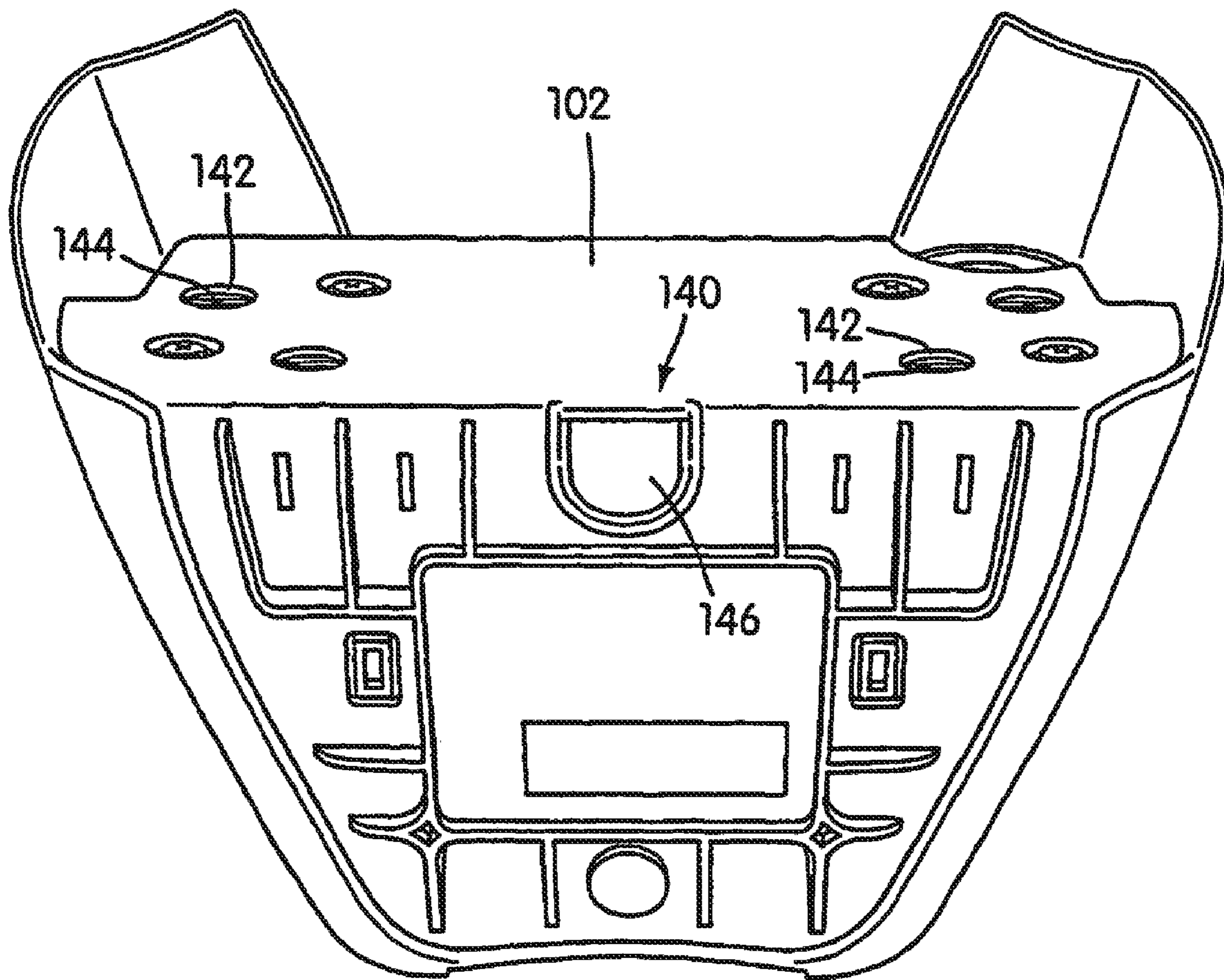
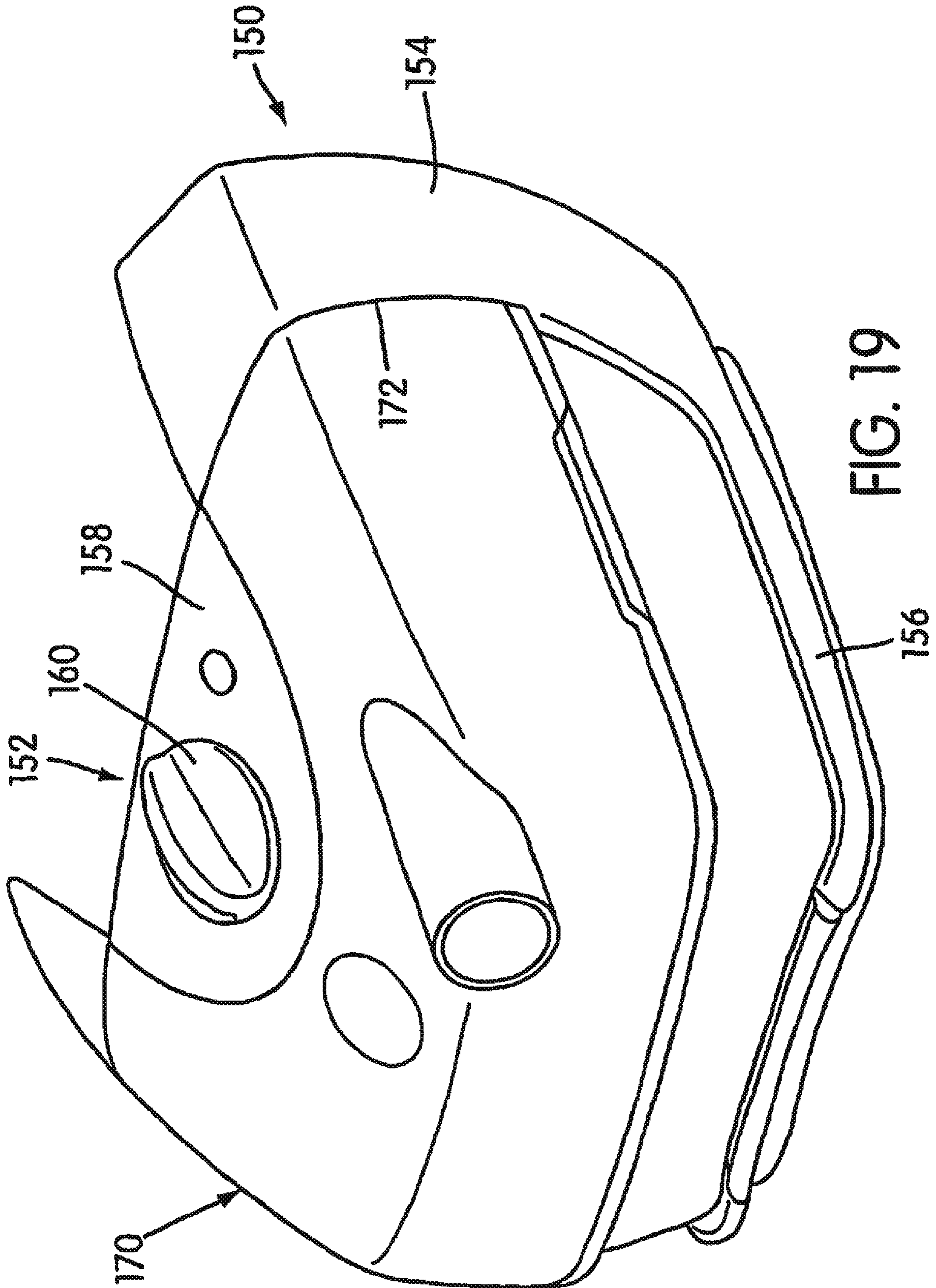


FIG. 18



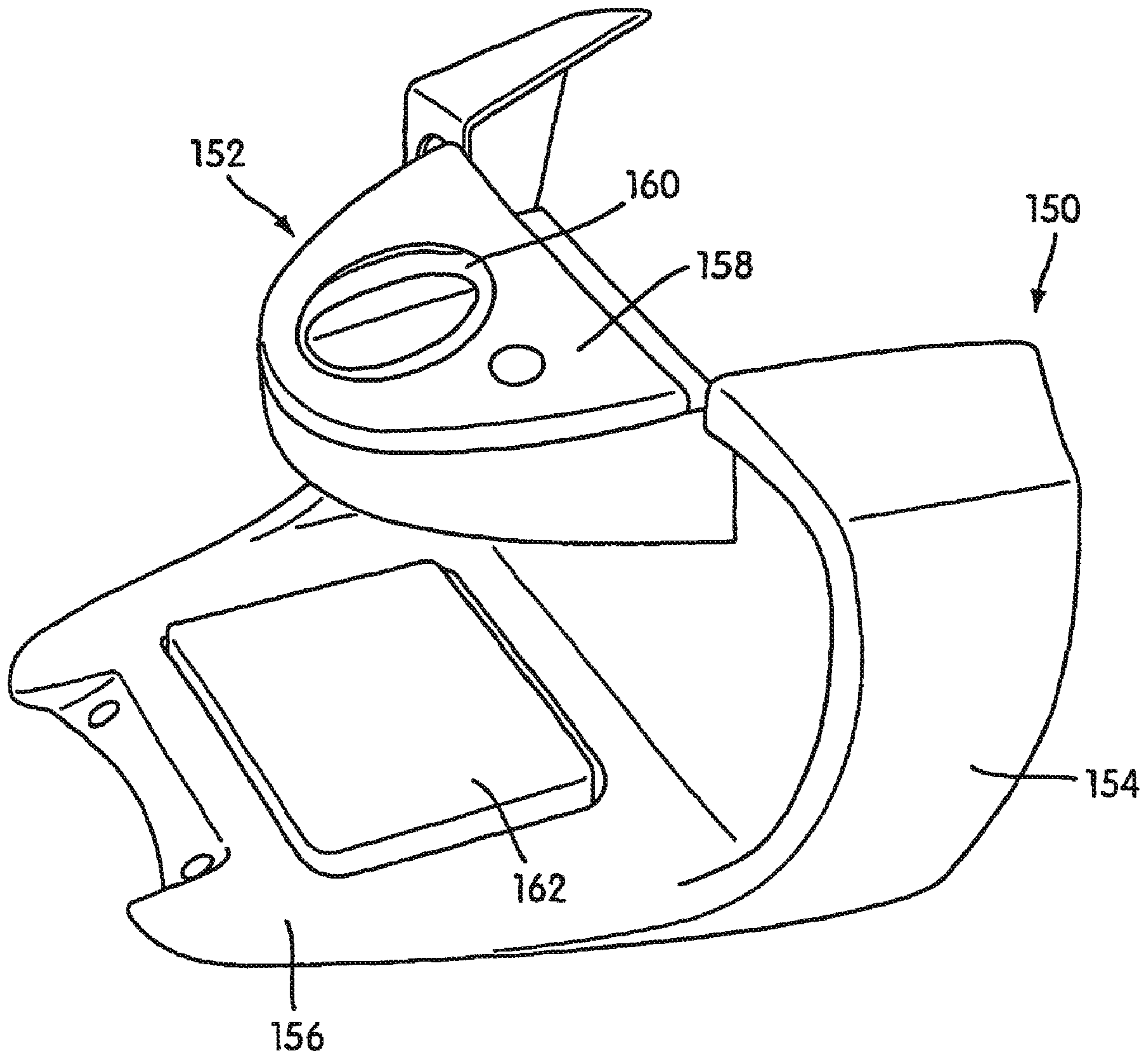


FIG. 20

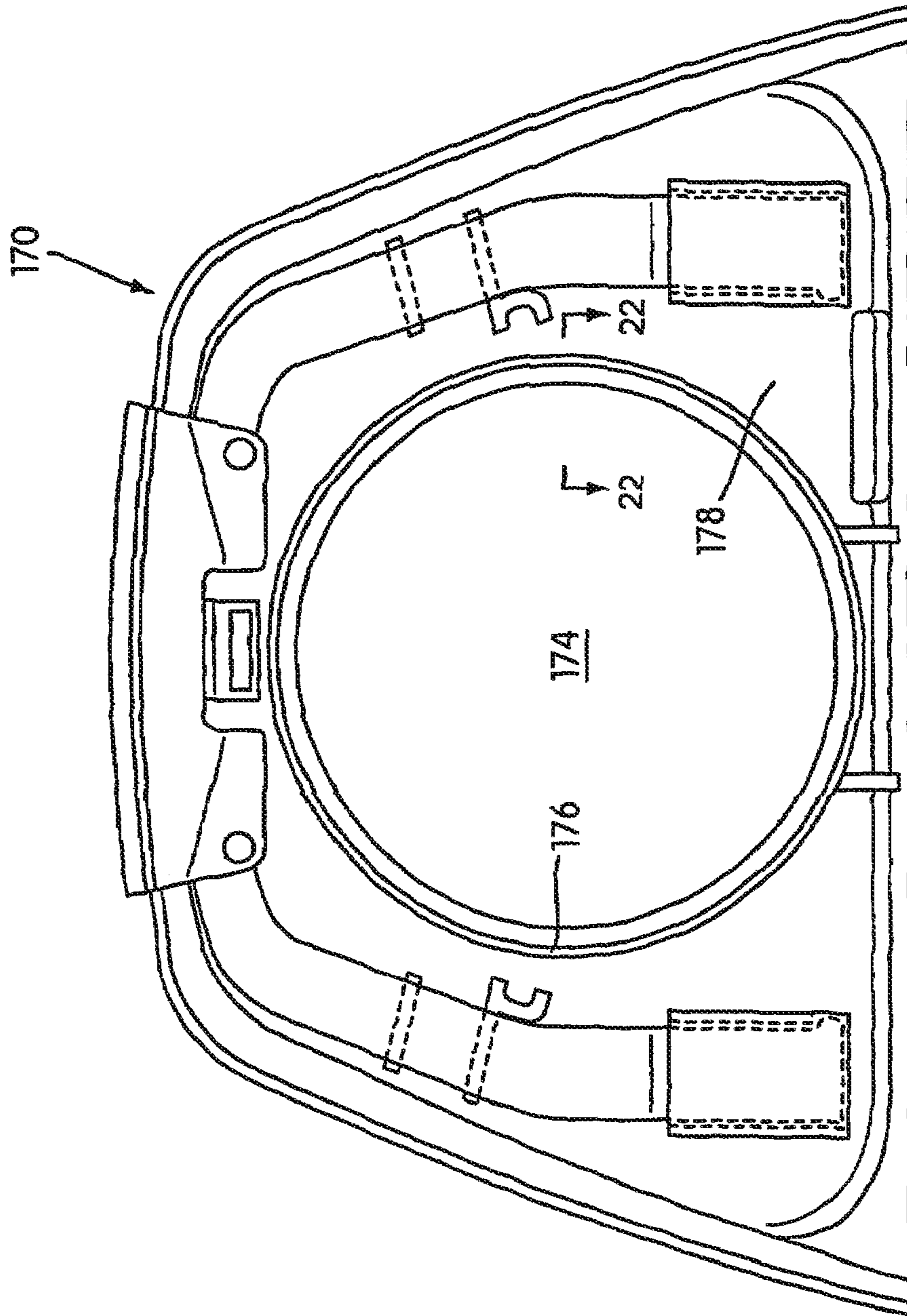


FIG. 21

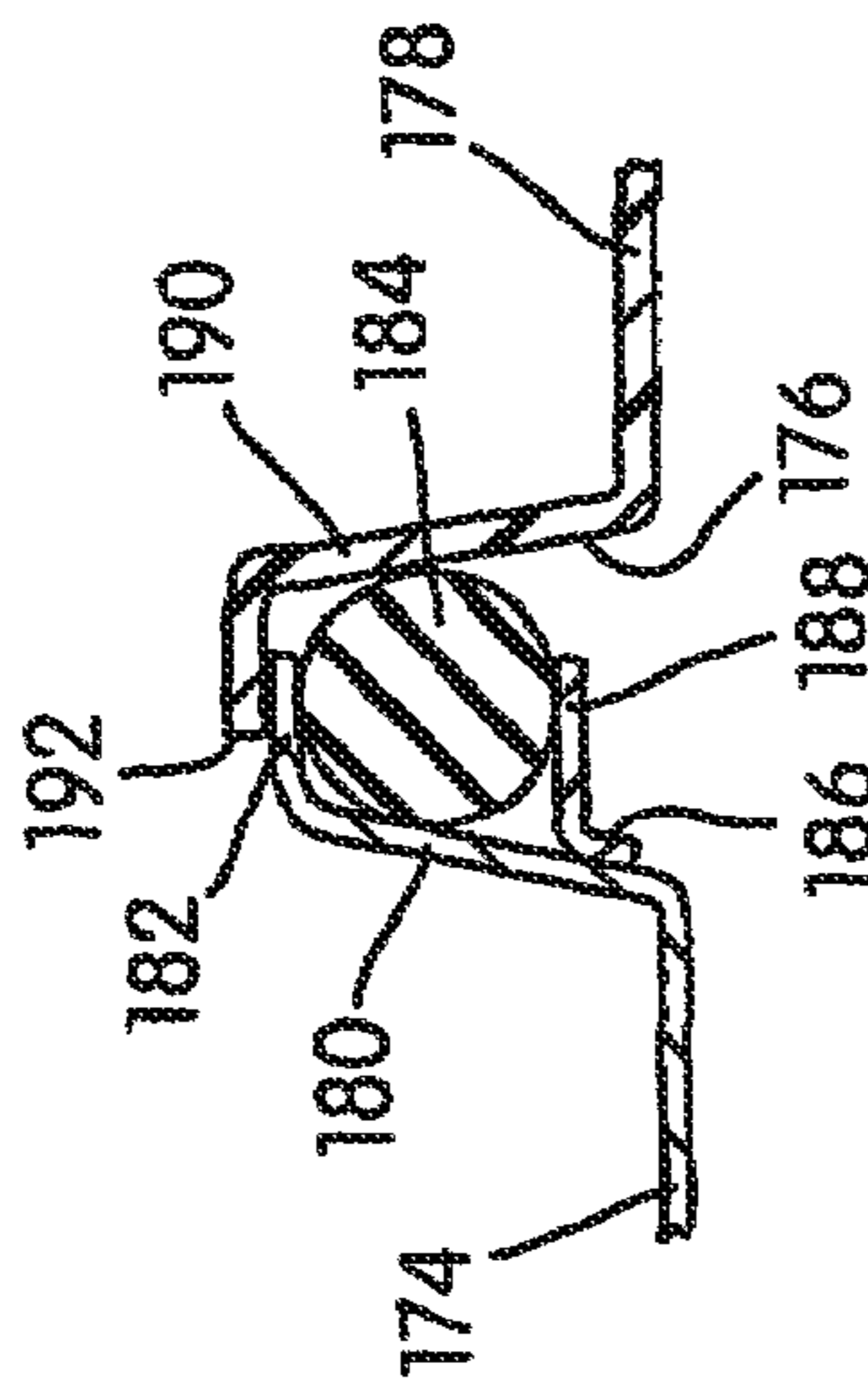


FIG. 22



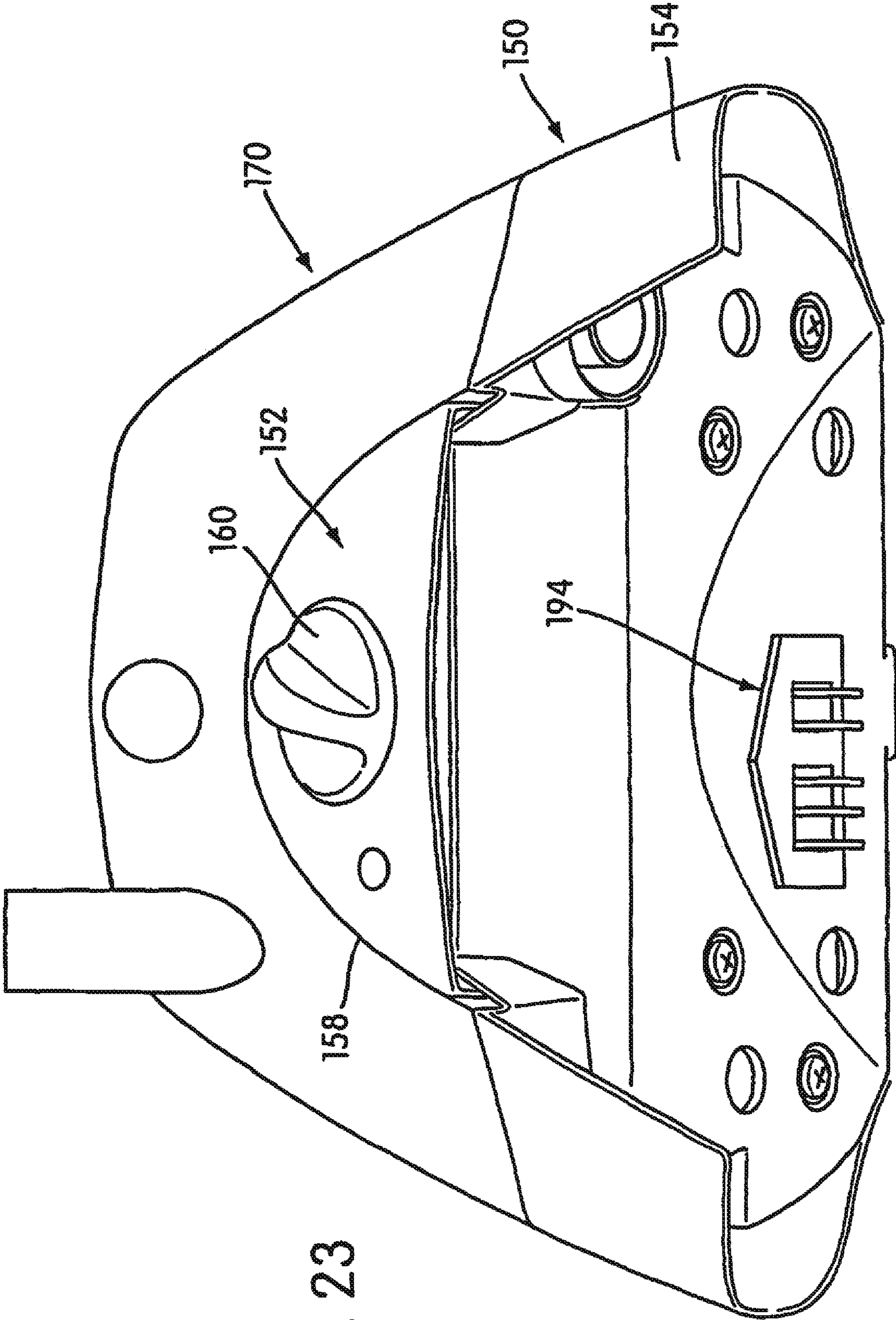


FIG. 23

**HUMIDIFIER WITH STRUCTURE TO  
PREVENT BACKFLOW OF LIQUID  
THROUGH THE HUMIDIFIER INLET**

**Matter enclosed in heavy brackets [ ] appears in the original patent but forms no part of this reissue specification; matter printed in italics indicates the additions made by reissue; a claim printed with strikethrough indicates that the claim was canceled, disclaimed, or held invalid by a prior post-patent action or proceeding.**

CROSS REFERENCE TO RELATED  
APPLICATIONS

This application is a *continuation of Ser. No. 16/231,286, filed Dec. 21, 2018, which is a continuation reissue of Ser. No. 15/706,811 filed Sep. 18, 2017, which is a continuation reissue of Ser. No. 15/182,919 filed Jun. 15, 2016 which is a continuation reissue of Ser. No. 13/944,960 filed Aug. 23, 2013 now RE 46,079 which is a continuation reissue of Ser. No. 13/100,783, now RE 44,453, which is an application for reissue of U.S. Pat. No. 7,614,398 filed as Ser. No. 11/181,807 filed Jul. 15, 2005 which is a continuation of Ser. No. 10/467,382, filed 7 Aug. 2003, now U.S. Pat. No. 6,935,337, which is the [US] U.S. national phase of international application PCT/AU02/00155 filed 14 Feb. 2002, which designated the United States, and claims the benefit of Australia Application Nos. PR3117, filed Feb. 16, 2001, and PR 7288, filed Aug. 27, 2001, each of which is incorporated herein by reference in its entirety.*

The present application claims priority to Australian Provisional Applications PR3117, filed on Feb. 16, 2001 and PR7288, filed on Aug. 27, 2001, the specifications and drawings of which are incorporated by reference in their entireties.

The present invention relates to a humidifier for use with an apparatus for supplying breathable gas such as those used for Non-invasive Positive Pressure Ventilation (NIPPV) or Continuous Positive Airway Pressure (CPAP).

An apparatus for NIPPV or CPAP typically comprises a blower whose output is connected to a patient interface, such as a mask, via an air delivery conduit. Some patients find NIPPV or CPAP more comfortable when provided with humidified air. To this end, manufacturers often supply humidifiers which may be attached in the air circuit between the blower outlet and the patient interface. Humidifiers typically include a water reservoir and are configured such that ambient air from the blower entering the humidifier collects moisture through contact with the water, before continuing on to the patient interface.

Typically, the blower and humidifier are separate components connected via a flexible conduit. An air delivery conduit connects the humidifier outlet to a patient interface mask. Alternatively, the blower and humidifier may be rigidly-connected together. Air from the blower outlet passes into the humidifier inlet where it is humidified and then passes to the air delivery conduit. A potential problem with either arrangement is that if the humidifier is tilted relative to its normal orientation, water may run or spill from the humidifier into the blower outlet which may damage the electrical circuits of the blower and potentially cause infection control problems.

It is one aspect of the present invention to substantially overcome or at least ameliorate the prior art disadvantages.

It is another aspect to provide a humidifier for a CPAP apparatus that is adapted to substantially prevent liquid contained thereto from undesirably exiting an inlet of the humidifier.

5 It is another aspect to provide a humidifier that is capable of directly connecting to a CPAP apparatus.

It is another aspect to provide a humidifier that has an inlet that is directly connectable with a CPAP apparatus to effectively eliminate a supply tube.

10 It is another aspect to provide a humidifier that is capable of heating the liquid contained therein.

One embodiment of the present invention includes an apparatus for humidifying breathable gas including a humidifier body configured to retain a body of liquid therein, an inlet communicated with an interior of the humidifier body and connectable to a blower outlet, and an outlet communicated with the interior of the humidifier body and connectable to a patient supply conduit. The interior of the humidifier is arranged such that liquid from the body of liquid is prevented from exiting the humidifier body through the inlet thereof when the humidifier body is rotated from a working, upright orientation.

15 In this manner, the liquid is substantially prevented from entering the blower outlet and possibly damaging the blower.

20 It is contemplated that the apparatus may also include a first chamber having an inlet and an outlet, the first chamber inlet preferably being connectable to a blower outlet, a second chamber having an inlet preferably connected to the first chamber outlet, and an outlet preferably connectable to the patient supply conduit, the second chamber preferably having the carrying capacity for the body of liquid. The first chamber inlet and outlet and volumes of the first and second chambers may be adapted such that, when the humidifier is disposed in the working upright orientation, the body of liquid is contained in the second chamber and, in other relative positions of the humidifier, the body of liquid is retained in at least one of the second chamber and the first and second chambers at a level therewithin below a level of the first chamber inlet.

25 A volume of the second chamber may be larger than a volume of the first chamber.

The first chamber may be located substantially above the second chamber in the working upright orientation of the apparatus.

30 The first chamber inlet and outlet may be located adjacent opposing sections of the first chamber.

The second chamber outlet may be located closer to the first chamber outlet than the first chamber inlet.

35 At least a portion of a base of the second chamber may be made of a heat conducting material.

The heat conductive portion may be in the form of a metallic cap which covers an opening of the base.

40 The apparatus may also include a top cover, a base, and a divider disposed between the top cover and base, wherein the base defines a receptacle formed therewithin, which preferably retains the body of liquid in the working orientation of the apparatus.

45 The top cover and the divider together may define the first chamber and the receptacle and the divider together form the second chamber.

50 The first chamber inlet and the second chamber outlet may be formed in the top cover and is the first chamber outlet and the second chamber inlet may be formed in the divider, the first chamber outlet and the second chamber inlet may be defined by a single aperture in the divider which communicates the first and second chambers.

The divider may define first and second sections, the first section together with the top cover preferably defining the first chamber.

The divider may include a plurality of apertures, separated by ribs, which may provide fluid communication from the second chamber to the second chamber outlet formed in the top cover.

The top cover and the base may be formed from a relatively rigid polymer material and the divider may be formed from a relatively resilient material.

The first chamber inlet may be connected to a blower outlet, the first chamber outlet may be connected to the second chamber inlet, the second chamber outlet may be connected to the patient supply conduit, and a portion of the second chamber below and behind the second chamber inlet may define a volume thereof greater than a volume of the body of liquid.

A portion of the second chamber between the first chamber inlet and the second chamber inlet and below the second chamber inlet may define a volume thereof greater than the volume of the body of liquid.

Portions of the first chamber and second chamber between the first chamber inlet and the second chamber outlet may define a volume thereof greater than the volume of the body of liquid.

Another embodiment of the present invention includes a CPAP apparatus including an apparatus for humidifying breathable gas as described above.

Another embodiment of the present invention includes a humidifier for a CPAP apparatus having a humidifier body defining a fluid reservoir and a fluid passage therein. The humidifier body has first and second chambers with a dividing member therebetween. The dividing member includes an orifice therethrough to communicate the first and second chambers with one another. Air from a blower (not shown) arrives in the first chamber via a first chamber inlet and departs from the second chamber via a second chamber outlet. The fluid passage includes the inlet, outlet, the orifice, and, at least, portions of the first and second chambers. The humidifier is designed to carry a body of liquid having a maximum volume,  $V_{max}$ . In a working orientation of the humidifier, the liquid body lies in a bottom portion of the second chamber. With respect to the working orientation of the humidifier the orifice lies forward of and to the side of the inlet. The first and second chambers are configured such that a volume of a first portion of the second chamber, which lies directly beneath the first chamber, is greater than  $V_{max}$ . Additionally, the volume of a second portion of the second chamber, which is disposed to the side of the first chamber, is greater than  $V_{max}$ . Furthermore, the volume of a portion of the second chamber forward of the inlet plus a portion of the first chamber forward of the inlet is greater than  $V_{max}$ . Additionally, the volume of a portion of the second chamber to the side of the inlet plus a portion of the first chamber to the side of the inlet is greater than  $V_{max}$ .

Yet another embodiment of the present invention includes a humidifier for a CPAP apparatus having first and second chambers, wherein an inlet to the humidifier is communicated with the first chamber, an outlet from the humidifier is communicated with the second chamber, and the first and second chambers are intercommunicated via an orifice extending therebetween. The inlet and orifice are arranged relative to one another such that a level of a volume of liquid present within the humidifier is below at least one of the inlet and orifice for any orientation of the humidifier.

Although certain embodiments of the invention are illustrated and described herein as having certain features, one

skilled in the art would recognize that alternative embodiments of the invention could be provided based on at least one or more features, either individually or in combination, of the illustrated and described embodiments.

The benefits of the present invention will be readily appreciated and understood from consideration of the following detailed description of embodiments of this invention, when taken with the accompanying drawings, wherein:

FIG. 1 is a schematic view of a humidifier according to one embodiment of the present invention in a working, upright orientation;

FIGS. 2-5 are schematic views of the humidifier shown in FIG. 1 in corresponding non-working, upright orientations;

FIG. 6 is a perspective view of a humidifier according to another embodiment of the present invention in a working, upright orientation;

FIG. 7 is an exploded perspective view of the humidifier shown in FIG. 6;

FIG. 8 is a partial sectional view of the humidifier shown in FIG. 6;

FIG. 9 is schematic view of the humidifier shown in FIG. 6 showing an air flow path through the humidifier;

FIGS. 10-13 are schematic views of the humidifier shown in FIG. 6 in corresponding non-working, upright orientations;

FIG. 14 is a perspective view of a humidifier and connecting structure according to another embodiment of the present invention;

FIG. 15 is a perspective view of the connecting structure shown in FIG. 14;

FIG. 16 is a bottom plan view of the humidifier shown in FIG. 14;

FIG. 17 is a rear perspective view of the humidifier and connecting structure shown in FIG. 14;

FIG. 18 is a bottom perspective view of the connecting structure shown in FIG. 14;

FIG. 19 is a perspective view of a humidifier and heater according to another embodiment of the present invention;

FIG. 20 is a perspective view of the heater shown in FIG. 19;

FIG. 21 is a bottom view of the humidifier shown in FIG. 19;

FIG. 22 is a cross-sectional view taken along line 22-22 in FIG. 21; and

FIG. 23 is a rear perspective view of the humidifier and heater shown in FIG. 19.

FIG. 1 schematically illustrates one embodiment of the humidifier of the present invention, indicated at 10. The humidifier 10 includes a humidifier body 12 defining a fluid reservoir and fluid passage therein. Additionally, there are two chambers 14, 16 defined by the humidifier body 12 and a dividing member 18. The dividing member 18 includes an orifice 20 therethrough to communicate the chambers 14, 16 to one another. Air from a blower (not shown) arrives in the first chamber 16 via a first chamber inlet 22. Air departs from the second chamber 14 via a second chamber outlet 24. The fluid passage includes the inlet 22, outlet 24, the orifice 20, and, at least, portions of the chambers 14, 16. The humidifier 10 is designed to carry a body of liquid 26 having a maximum volume,  $V_{max}$ .

In a working orientation represented in FIG. 1, the liquid body 26 lies in a bottom portion of the second chamber 14. With respect to the orientation of the humidifier 10 depicted in FIG. 1, e.g., the orifice 20 lies forward of and to the side of the first chamber inlet 22 (e.g., at a diagonally opposite end of the chamber 16). As shown, the volume of a first portion 14A of the second chamber 14, which lies directly

5

beneath the first chamber 16, is greater than  $V_{max}$  due to its relatively increased height. Additionally, the volume of a second portion 14B of the second chamber 14, which is disposed to the side of the first chamber 16, is greater than  $V_{max}$ . Furthermore, the volume of a portion of the second chamber 14 forward of the inlet 22 plus a portion of the first chamber 16 forward of the inlet 22 is greater than  $V_{max}$ . Additionally, the volume of a portion of the second chamber 14 to the side of the inlet 22 plus a portion of the first chamber 16 to the side of the inlet 22 is greater than  $V_{max}$ . Hence, in order to minimize the volume of the humidifier 10, the first chamber inlet 22 is positioned as far to one side of the humidifier body 12 and as far rearward of the humidifier body 12 as possible.

The embodiment of the humidifier 10 shown in FIGS. 1-5 is configured to prevent liquid from the liquid body 26 from exiting through the inlet 22 thereof, such as when inadvertently rotated from an upright, normal working position (generally illustrated in FIG. 1). For this reason, it is preferable for the humidifier 10 to be capable of being rotated from the upright, working position by about 120° without allowing liquid to exit from the inlet 22. It is more preferable for the humidifier 10 to be capable of being rotated from the upright, working position by about 80°-110° without allowing liquid to exit from the inlet 22. It is contemplated that for the embodiment of the humidifier 10 shown in FIG. 1, it may be especially preferable for the humidifier 10 to be capable of being rotated from the upright, working position by about 90° without allowing liquid to exit from the inlet 22, since the humidifier 10 is readily able to be placed on one side thereof due to the substantially flat, normal sides thereof. However, of course, it may be desirable for the humidifier 10 to be capable of being rotated more or less than 90°, depending on the particular configuration of the humidifier 10. It is noted that while the humidifier 10 is designed to prevent liquid from exiting the inlet thereof when inadvertently oriented in other than the upright working position, it may be possible to purposefully enable liquid to exit from the inlet, such as by jostling or rapidly and/or repeatedly rotating the humidifier 10. In situations wherein it is highly undesirable for liquid to exit the inlet of the humidifier, the configuration (e.g., volume) of the chambers, size and placement of the inlet and outlet, and size and placement of the aperture intercommunicating the chambers may be altered from the illustrated embodiment to decrease the possibility of liquid exiting the inlet of the humidifier.

As shown in FIG. 2, the arrangement of the chambers 14, 16, inlet 22, and outlet 24 means that, if the humidifier 10 is rotated in a clockwise direction by up to 90° about axis  $\alpha$ , then the liquid body 26 will accumulate in the second portion 14B of the second chamber 14 and a portion of the first chamber 16 adjacent the outlet 24. In this situation, liquid of the liquid body 26 may run out of the outlet 24, but will not run out of the inlet 22 back into the blower.

Similarly, as shown in FIG. 3, if the humidifier 10 is rotated in a counter-clockwise direction (relative to the position illustrated in FIG. 1) by up to 90° about axis  $\alpha$ , then the liquid body 26 will accumulate in the first portion 14A of the second chamber 14, but will not spill over orifice 20 into the first chamber 16.

As shown in FIG. 4, if the humidifier 10 is rotated in a clockwise direction (relative to the position illustrated in FIG. 1) up to 90° about axis  $\beta$ , then the liquid body 26 will accumulate in a rearward portion of the second chamber 14 but will not spill over orifice 20 into the first chamber 16.

6

As shown in FIG. 5, if the humidifier 10 is rotated in a counter-clockwise direction (relative to the position illustrated in FIG. 1) up to 90° about axis  $\beta$ , then the liquid body 26 will accumulate in forward portions of the first and second chambers 14, 16 and will not spill back through first chamber inlet 22. Furthermore, liquid of the liquid body 26 will drain out of the humidifier 10 through second chamber outlet 24.

In the embodiment illustrated in FIGS. 1-5, the humidifier 10 has an exterior shape that is generally rectangular and the humidifier 10. As illustrated, the inlet 22 is positioned to correspond to a blower outlet being on the upper left-hand side when viewed from the front in an upright position. Therefore the humidifier inlet 22 is positioned at the back of the humidifier 10 on the upper left-hand side, when viewed from the front in an upright position. The humidifier outlet 24 lies on the front upper right-hand side, when viewed from the front in an upright position. However, it is, of course, possible for the inlet and outlet to be repositioned corresponding to the position of the blower outlet.

For each of the orientations of the humidifier 10 shown in FIGS. 1-5, the level of the liquid body 26 is always below the level of at least one of the inlet 22 and orifice 20 intercommunicating the first and second chambers 16, 14. In this manner, in a case wherein the inlet 22 is disposed below the level of the liquid body 26 (such as in orientations illustrated in FIGS. 3 and 4), the orifice 20 is disposed above the level of the liquid body 26, which prevents liquid from flowing therethrough and exiting the inlet 22. Conversely, in a case wherein the orifice 20 is disposed below the level of the liquid body 26 (such as in orientations illustrated in FIGS. 2 and 5), the inlet 22 is disposed above the level of the liquid body 26. Accordingly, liquid may flow through the orifice 20, but is prevented from exiting through the inlet 22.

FIG. 6 shows another embodiment of a humidifier 30 according to the present invention. The humidifier 30 includes an inlet 32 and an outlet 34, both of which are communicated with an interior of the humidifier 30. The interior of the humidifier 30 defines a reservoir for a body of liquid and a fluid passage. The fluid passage is communicated to each of the inlet 32 and outlet 34 and is configured such that fluid (e.g., breathable gas at an elevated pressure) flowing therethrough is exposed to the body of liquid. Additionally, the humidifier 30 is adapted for detachable connection to an NIPPV or CPAP apparatus (not shown) which includes a blower. When connected, the output of the blower is attached to the inlet 32. Air from the blower enters the inlet 32, flows through the fluid passage, and collects moisture through contact with the liquid body, before continuing on to the outlet 34 and then to the patient.

It is also contemplated that the humidifier 30 may include an additional internal passage to allow monitoring of the CPAP pressure without degrading signal strength or necessitating relatively large correction factors due to signal attenuation within the humidifier, such as described in co-pending Applications incorporated above, as well as co-pending Application No. WO 02/066107, entitled "Air Pressure Signal Monitoring in Apparatus for Treating Sleep Disordered Breathing", filed on even date herewith and hereby incorporated by reference in its entirety.

As shown in FIG. 7, the humidifier 30 includes a top cover 36, a gasket 38, and a base 40. The gasket 38 is disposed between the top cover 36 and base 40, which are secured together via sliding clips 72. (See FIG. 6.) Of course, other suitable fastening arrangements and constructions are possible. For example, the top cover 36 and base 40 may be formed with snap-fit or other cooperating constructions.

Alternatively, other types of mechanical fasteners may be utilized. It is contemplated that the top cover 36 may be formed from a relatively rigid polymer material, such as polysulfone (for example, grade UDEL P1700, manufactured by BP Amoco Polymers), and includes the inlet 32 and the outlet 34. The gasket 38 may be formed from a relatively resilient material, such as silicone rubber (for example, SILASTIC 94595-IIC, manufactured by Dow Corning) and is divided into first and second sections 42 and 44 by a channel structure 46. The first section 42 includes a raised portion 48 having a first aperture 50 extending vertically therethrough. The second section 44 includes a plurality of second apertures 52 extending vertically therethrough and being separated from one another by ribs 54. The top cover 36 may also include a divider wall structure 56 (FIG. 8) which corresponds to and is received within the channel structure 46 of the gasket 38. The gasket 38 includes a sealing flange 58 formed about a periphery thereof. The base 40 may be formed from the same or similar rigid polymer material as the top cover 36 and may include a receptacle 60 formed therewithin, a bottom portion 62, and side walls 64 extending upwardly from the bottom portion 62. The base 40 may also include a removable bridge structure 66, which divides the receptacle 60 into two sections 68 and 70, which correspond to the sections [22] 42 and [24] 44 of the gasket 38.

As shown in FIG. 8, to assemble the humidifier 30, the gasket 38 is attached to the base 40. The flange 58 of the gasket 38 forms a sealing engagement with an upper edge portion of the side walls 64 of the base 40. The top cover 36 is then attached to the base 40 via sliding clips 72 (FIG. 6) on opposite sides of the humidifier 30, such that the top cover 36 covers and seals with the gasket 38. The removable bridge structure 66 vertically supports an intermediate portion of the gasket 38. As shown, a downwardly facing surface of the channel structure 46 of the gasket 38 engages an upwardly facing surface of the bridge structure 66. When assembled, the gasket first section 42, the top cover 36, and the divider wall structure of the top cover 36 together form a first chamber 74. The receptacle 60 of the base 40 together with the gasket 38 form a second chamber 76. The first chamber 74 is thus located above the second chamber 76 and the volume of the second chamber 76 is larger than the volume of the first chamber 74. The first and second chambers 74, 76 are in communication with one another via the first aperture 50 within the gasket 38. The second chamber 76 is in communication with the outlet 34 via the second apertures 52 within the gasket 38.

In use, a predetermined maximum volume of liquid is poured into the receptacle 60 of the base 40 after removing the top cover 36 and the sealing gasket 38 from the base 40. The top cover 36 and the sealing gasket 38 are then reattached to the base 40. As shown in FIG. 9, a body of liquid 78 is held in the second chamber 76 when the humidifier 30 is in the upright working orientation of the humidifier 30. Breathable gas from the blower enters the inlet 32 and travels through the first chamber 74 and into the first aperture 50. The gas passes through the aperture 50 and enters the second chamber 76 where it is humidified by contact with the body of liquid 78, before exiting through apertures 52 in the gasket 38, and then out through outlet 34 (FIG. 6).

In the working upright orientation of the humidifier 30, as shown in FIG. 9, a liquid level, indicated at 81, of the body of liquid 78 is below the aperture 50. Thus, liquid from the body of liquid 78 cannot exit via the inlet 32 and there is no risk of damaging the electronic components of the NIPPV or

CPAP apparatus. The body of liquid 78, however, will be displaced in the humidifier 30 according to the orientation of the humidifier 30. Accordingly, the humidifier 30 is configured to substantially prevent liquid of the body of liquid 78 from exiting through the inlet 32 in non-upright orientations to avoid damage to the NIPPV or CPAP apparatus connected to the humidifier 30.

Similarly as with the embodiment illustrated in FIGS. 1-5, the embodiment of the humidifier 30 shown in FIGS. 6-13 is configured to prevent liquid from the liquid body 78 from exiting through the inlet 32 thereof, such as when inadvertently rotated from an upright normal working position (generally illustrated in FIG. 6). For this reason, it is preferable for the humidifier 30 to be capable of being rotated from the upright, working position by about 120° without allowing liquid to exit from the inlet 32. It is more preferable for the humidifier 30 to be capable of being rotated from the upright, working position by about 80°-110° without allowing liquid to exit from the inlet 32. It may be especially preferable for the humidifier 30 to be capable of being rotated from the upright, working position by about 90° without allowing liquid to exit from the inlet 32. However, of course, it may be desirable for the humidifier 30 to be capable of being rotated more or less than 90°. It is noted that while the humidifier 30 is designed to prevent liquid from exiting the inlet thereof when inadvertently oriented in other than the upright working position, it may be possible to purposefully enable liquid to exit from the inlet, such as by jostling or rapidly and/or repeatedly rotating the humidifier 30. In situations wherein it is highly undesirable for liquid to exit the inlet of the humidifier, the configuration (e.g., volume) of the chambers, size and placement of the inlet and outlet, and size and placement of the aperture intercommunicating the chambers may be altered from the illustrated embodiment to decrease the possibility of liquid exiting the inlet of the humidifier.

For each of the orientations of the humidifier 30 shown in FIGS. 10-13, the level of the liquid body 78 is always below the level of at least one of the inlet 32 and aperture 50 intercommunicating the first and second chambers 74, 76. In this manner, in a case wherein the inlet 32 is disposed below the level of the liquid body 78 (such as in orientations illustrated in FIGS. 10 and 12), the aperture 50 is disposed above the level of the liquid body 78, which prevents liquid from flowing therethrough and exiting the inlet 32. Conversely, in a case wherein the aperture 50 is disposed below the level of the liquid body 78 (such as in orientations illustrated in FIGS. 11 and 13), the inlet 32 is disposed above the level of the liquid body 78. Accordingly, liquid may flow through the aperture 50, but is prevented from exiting through the inlet 32.

In FIG. 10, the humidifier 30 is rotated to an angle about 90° from the working upright orientation, such that a side 80 thereof corresponding to the side of the humidifier 30 adjacent the inlet 32, is oriented below a side 82 thereof corresponding to the side of the humidifier 30 adjacent the outlet 34. Because the raised portion 48 of the gasket 38 increases the volume of the second chamber 76, the body of liquid 78 remains only in the second chamber 76 and the level 81 of the liquid body 78 remains below the first aperture 50. Thus, the liquid will not exit through the inlet 32.

In FIG. 11, the humidifier 30 is rotated to an angle about 90° from the working upright orientation, such that the side 82 is below the side 80 (i.e., flipped 180° from the orientation illustrated in FIG. 11). As the level 81 of the body of liquid 78 is above (at least initially) the apertures 52, liquid

will pass therethrough and exit the outlet 34. However, since the level 81 of the liquid body 78 is below the inlet 32, liquid will not exit through the inlet 32. Liquid exiting through the outlet 34 is generally acceptable as there is not generally a risk in damaging the NIPPV or CPAP apparatus.

In FIG. 12, the humidifier 30 is rotated to an angle about 90° from the working upright orientation, such that a rear side thereof indicated at 84, corresponding to the side at which the inlet 32 is located, is below a forward side thereof indicated at 86, corresponding to the side at which the outlet 34 is located. As shown, the body of liquid 78 remains substantially in the second chamber 76 and the level 81 of the liquid body 78 remains below the first aperture 50. Thus, water cannot exit through the inlet 32.

FIG. 13 illustrates when the humidifier 30 is tilted to an angle about 90° from the working upright orientation, such that the forward side 86 is below the rear side 84. As shown, the body of liquid 78 is disposed within forward portions of the first and second chambers 74, 76. As the level 81 of the body of liquid 78 is at least initially above the level of the aperture 50, liquid will flow through the aperture 50 into the first chamber 74. However, since the inlet 32 is disposed above the level of the body of liquid 78 in this orientation, no liquid exits through the inlet 34.

The humidifier 30 thus ensures that the body of liquid 78 is disposed in one of (a) only the second chamber 76, or (b) portions of the first and second chambers 74, 76 at a level below the inlet 32, to prevent liquid from exiting through the inlet 32 at orientations of the humidifier 30 up to an angle of about 90° from the working upright orientation. In the illustrated embodiment, a number of features of the humidifier 30 contribute to ensuing this function. These include relative positions of the inlet 32 and first aperture 50. More particularly, the inlet 32 and first aperture 50 are located on opposing ends of the first chamber 74. Also, the volume of the second chamber 76 is larger than the volume of the first chamber 74, which is assisted by the raised portion 48 of the gasket 38 so that liquid displaced from the first chamber 74 may be accommodated within the second chamber 76 without overflow through aperture 50. Furthermore, the outlet 34 is located closer to the first aperture 50 than the inlet 32, which assists in ensuing that liquid will exit via the outlet 34, rather than through the inlet 32.

The humidifier 30 therefore substantially prevents or reduces the risk of water exiting through the inlet 32, which may damage the NIPPV or CPAP apparatus, when the humidifier 30 is in other orientations up to an angle of about 90° from its working upright orientation.

It is contemplated that the humidifier 30 may be used as a retrofit or add-on component for a CPAP apparatus. To facilitate this usage, it may be preferable to provide a connecting structure 100 that is configured to connect between the CPAP apparatus and humidifier 30. As shown in FIGS. 14 and 15, the connecting structure 100 includes a housing 102, which provides a generally horizontally extending receptacle 104 within which the humidifier 30 may be disposed. The housing 102 provides a base portion 106 that is configured to support the humidifier 30 thereon and a retaining portion 108 configured to secure the humidifier 30 in position. As shown in FIG. 16, the retaining portion 108 extends generally parallel to the base portion 106 and is spaced above the base portion 106. Referring back to FIG. 14, the humidifier 30 may be formed with a recess 110 that is open and of a complimentary shape to receive the retaining portion 108 therein.

To facilitate connection of the humidifier 30 to the connecting strut 100, it is contemplated that another embodi-

ment of a humidifier, indicated at 120 in FIG. 16, may include a securing mechanism 122. As shown, the securing mechanism 122 includes a resiliently biased pull member 124 that includes one or more locking lugs 126 extending generally downwardly therefrom. The pull member 124 is disposed at a forward end (assuming the rearward end of the humidifier 120 is adjacent the connecting structure 100) of the humidifier 120 and is resiliently biased by a pair of resilient legs 128. Rearward portions of the legs 128 are relatively securely retained within corresponding pocket structures 130 provided on a bottom side of the humidifier 120. Ribs 132 extend downwardly from the bottom side of the humidifier 120 and engage an intermediary portion of the legs 128 to define a space between the resilient legs 128 and the bottom side of the humidifier 120. In this manner, the pull member 124 is biased generally downwardly by the resilient legs 128, but may be manually moved (e.g., pulled) upward against a resilient bias of the legs 128.

As shown in FIG. 15, a forward portion of the base portion 106 includes generally upwardly open lug receiving recesses 134 within which the lugs 126 may be disposed when the humidifier 120 is disposed within the receptacle 104. As the humidifier 120 is inserted within receptacle 104, the legs 128 resiliently bias the lugs 126 into recesses 134. The lugs 126 and recesses 134 thereby secure the humidifier 120 within the receptacle 104. To remove the humidifier 120 from the receptacle 104, the pull member 124 is pulled upwardly to withdraw the lugs 126 from the recesses 134. The humidifier 120 may then be pulled generally horizontally out of the receptacle 104.

FIG. 17 shows a rearward side of the connecting structure 100. The rearward side of the connecting structure 100 provides a retaining mechanism 140 to secure the connecting structure 100 to the CPAP apparatus. It is contemplated that the retaining mechanism 140 may include a series of apertures 142 within the rearward portion of the housing 102. The apertures 142 may receive therein, for example, prongs or tabs (not shown) provided by the CPAP apparatus. As shown in FIG. 18, within each aperture 142, a locking member 144 may be provided that is resiliently biased toward a position that partially encloses the respective aperture 142. As also shown in FIG. 18, a button structure 146 may be coupled to the locking members 144, such that manual movement of the button structure 146 moves the locking members 144 out of their biased positions to substantially fully open the apertures 142. It is contemplated that the tabs or prongs on the CPAP apparatus are provided with a groove therein such that when positioned within the apertures 142, the locking members 144 engage within respective grooves to thereby securely and detachably retain the connecting structure 100 to the CPAP apparatus.

Referring back to FIG. 17, the housing 102 of the connecting structure 100 may be provided with an opening 148 that allows the inlet of the humidifier to extend therethrough so as to be connected to the CPAP apparatus.

In certain circumstances, it may be desirable to provide heated humid air to the respirator mask. Accordingly, another embodiment of the connecting structure, indicated at 150 in FIG. 19, may include a heater 152. The connecting structure 150 may include a housing 154, which provides a base portion 156 and retaining portion 158, similar to the housing 102 described above. As shown in FIG. 19, the retaining portion 158 may include a controller such as a knob or other selecting device 160 thereon to control a heat setting of the heater 152. It is also contemplated that the controller 160 may include a display device, such as an LCD screen.

As shown in FIG. 20, the base portion 156 may include a heating element 162 thereon. The heating element 162 may be in the form of a substantially flat plate-like resistance heater, which heat generated thereby may be directly controlled by the controller 160. As shown in FIG. 19, another embodiment of the humidifier is indicated at 170. The humidifier 170 is disposed within a receptacle 172 provided by the housing 154. It is contemplated that the humidifier 170 has the same basic construction as the humidifiers 10 and 120 described above. However, it is contemplated that the humidifier 170 may include a heating plate 174 (also referred to as a metallic cap) to facilitate heating of the liquid contained therein. In particular, an opening 176 is provided within a bottom wall 178 of the humidifier 170. The heating plate 174 is shaped to fit within the opening 176, as shown in FIG. 21. As shown in more detail in FIG. 22, the heating plate 174 includes an upstanding peripheral wall 180 which includes an outwardly extending peripheral lip 182. A resilient seal member 184 is disposed about an outer periphery of the peripheral wall 180 in contact with the peripheral lip 182. A ring-like retaining member 186 may be press-fit onto the peripheral wall 180 to retain the seal 184 in position on the peripheral wall 180. The retaining member 186 includes an outwardly extending flange structure 188. The seal 184 is disposed between the peripheral lip 182 and flange structure 188. It is contemplated that the retaining member 186 may be press fit onto the heating plate 174, as described above, or may be formed in one piece therewith. The bottom wall 178 of the humidifier 170 is formed with an annular upstanding flange 190 which receives the heating plate 174. It is contemplated that the flange 190 may be slightly tapered inwardly in the upward direction to ease insertion of the heating plate 174. As shown, the flange 190 may include a generally horizontally extending lip structure 192 that vertically retains the heating plate 174.

Referring to FIG. 19, with the humidifier 170 in position within the receptacle 172, a bottom surface of the heating plate 174 is in contact with an upper surface of the heating element 162. In this manner, a heat generated by the heating element 162 is conductively transferred to the heating plate 174. The liquid within the humidifier 170 is exposed to an upper surface of the heating plate 174 and conducts heat therefrom. It is contemplated that a temperature of the liquid within the humidifier 170 may be controlled by manipulation of the controller 160.

It is also contemplated that the heating element 162 may be upwardly resiliently biased to ensure adequate contact between the heating element 162 and the heating plate 174.

As shown in FIG. 23, a rearward portion of the connecting suture 150 may include a plurality of generally outwardly extending contact elements 194. It is contemplated that the contact element 194 may communicate with a power supply within the CPAP apparatus and/or a controller and/or sensors. In this manner, power may be delivered to the heater 152 directly from the CPAP apparatus. Additionally, a controller within the CPAP apparatus itself may control the heater 152. Furthermore, it is contemplated that sensors within the CPAP apparatus may monitor a heat output of the heater 152. Moreover, it may be possible for a CPAP apparatus to automatically adjust a heat output of the heater 152 based on a measured temperature thereof or of the water within the humidifier or of the breathable air exiting the humidifier.

The invention claimed is:

[1. A humidifier assembly for a CPAP apparatus, comprising  
a humidifier including  
a base configured to retain a body of liquid therein, at least a portion of the base being constructed of a heat conducting material,

a top cover, and  
a seal disposed between the top cover and the base; and  
a connecting structure configured to connect between the CPAP apparatus and humidifier and allow communication of an outlet of the CPAP apparatus with the inlet of the humidifier, the connecting structure including  
a housing providing a base portion to support the humidifier thereon, and  
a retaining mechanism configured to secure the connecting structure to the CPAP apparatus,  
wherein the base portion includes a heating element in contact with the heat conducting material of the base of the humidifier.]

[2. A humidifier assembly according to claim 1, wherein the top cover defines both an inlet and an outlet communicated with an interior of the base, the inlet configured to receive pressurized breathable gas and the outlet configured to deliver the pressurized breathable gas with added humidity.]

[3. A humidifier assembly according to claim 1, wherein the connecting structure includes a control knob to control a heat setting of the heating element.]

[4. A humidifier assembly according to claim 1, wherein the connecting structure includes contact elements that communicate with a power supply within the CPAP apparatus.]

[5. A humidifier assembly according to claim 1, wherein the connecting structure is configured to allow removable attachment of the CPAP apparatus to the humidifier.]

[6. A humidifier assembly according to claim 1, wherein the heat conducting material is a metallic material.]

[7. A CPAP apparatus including a humidifier assembly according to claim 1.]

8. *A humidification chamber for connecting to a respiratory therapy device to provide respiratory therapy, the humidification chamber comprising:*

*a bottom surface constructed of a heat conductive material, wherein the bottom surface is configured to be positioned over a heating element of the respiratory therapy device;*

*a wall extending from the bottom surface and defining a volume to hold water in the humidification chamber;*  
*a top surface, the bottom surface, wall, and top surface together enclosing the volume;*

*a chamber inlet configured to receive pressurized breathable gas from the respiratory therapy device when the humidification chamber is connected to the respiratory therapy device, the chamber inlet shaped to mate with an output of the respiratory therapy device through which the pressurized breathable gas is received;*

*a chamber outlet configured to supply the pressurized breathable gas with added humidity for delivery to a patient to provide respiratory therapy; and*

*an obstruction within the chamber that is positioned between the bottom surface and the top surface, wherein the obstruction has a maximum horizontal dimension that is greater than a maximum vertical dimension of the obstruction, wherein the obstruction extends at least partially across an interior of the humidification chamber along a horizontal plane, wherein the obstruction defines, at least partially, one or more fluid inlet passageways between the chamber inlet and the water contained in the humidification chamber, the one or more fluid inlet passageways causing the pressurized breathable gas received through the chamber inlet to be, at least partially,*

diverted around the obstruction before reaching the water contained in the humidification chamber for added humidification.

9. The humidification chamber of claim 8, wherein the one or more fluid inlet passageways are defined by the obstruction and the top surface.

10. The humidification chamber of claim 8, wherein the one or more fluid inlet passageways are defined by the obstruction and the wall.

11. The humidification chamber of claim 8, wherein the one or more fluid inlet passageways are defined by the obstruction, the top surface, and the wall.

12. The humidification chamber of claim 8, wherein the one or more fluid inlet passageways being at least partially offset from the chamber inlet so as to cause the at least partial diversion of the of the pressurized breathable gas.

13. The humidification chamber of claim 8, wherein the obstruction further defines, at least partially, one or more fluid outlet passageways between the water contained in the humidification chamber and the chamber outlet, the one or more fluid outlet passageways causing the pressurized breathable gas with added humidification to be, at least partially, diverted around the obstruction before being expelled through the chamber outlet.

14. The humidification chamber of claim 13, wherein the one or more fluid outlet passageways are defined by the obstruction and the top surface.

15. The humidification chamber of claim 13, wherein the one or more fluid outlet passageways are defined by the obstruction and the wall.

16. The humidification chamber of claim 13, wherein the one or more fluid outlet passageways are defined by the obstruction, the top surface, and the wall.

17. The humidification chamber of claim 13, wherein the one or more fluid outlet passageways being at least partially offset from the chamber outlet so as to cause the at least partial diversion of the of the pressurized breathable gas with added humidification.

18. The humidification chamber of claim 8, further comprising:

an internal vertical wall positioned within the interior of the humidification chamber and extending at least partially below the obstruction, wherein the internal vertical wall at least partially obstructs flow of the pressurized breathable gas between the chamber inlet and the chamber outlet.

19. The humidification chamber of claim 18, wherein the internal vertical wall extends across the interior of the humidification chamber.

20. The humidification chamber of claim 19, wherein the internal vertical wall divides a portion of the interior of the humidification chamber below the obstruction into an inlet section and an outlet section, wherein the inlet section corresponds to the chamber inlet and the outlet section corresponds to the chamber outlet, the internal vertical wall at least partially obstructing the flow of the pressurized breathable gas between the inlet section and the outlet section.

21. The humidification chamber of claim 8, further comprising:

an internal vertical wall positioned within the interior of the humidification chamber and extending at least partially above the obstruction, wherein the internal vertical wall extends across the interior of the humidification chamber.

22. The humidification chamber of claim 21, wherein the internal vertical wall divides a portion of the interior of the humidification chamber above the obstruction into an inlet section and an outlet section, wherein the inlet section corresponds to the chamber inlet and the outlet section corresponds to the chamber outlet, the internal vertical wall blocks the flow of the pressurized breathable gas from the inlet section to the outlet section causing the pressurized breathable gas to flow around the obstruction.

23. The humidification chamber of claim 21, wherein the internal vertical wall extends from the top surface of the humidification chamber.

24. The humidification chamber of claim 8, wherein the humidification chamber is sized and shaped to both (i) establish a fluid connection between the chamber inlet and the output of the respiratory therapy device when the humidification chamber mounts within a recess of the respiratory therapy device, and (ii) position the bottom surface of the humidification chamber over the heating element of the respiratory therapy device when the humidification chamber mounts within a recess of the respiratory therapy device.

25. The humidification chamber of claim 24, wherein the humidification chamber is configured to be positioned in the recess by horizontally sliding the humidification chamber into the recess.

26. The humidification chamber of claim 24, further comprising means for retaining the humidification chamber positioned in the recess.

27. The humidification chamber of claim 26, wherein the respiratory therapy device includes complementary means for retaining the humidification chamber positioned in the recess.

28. The humidification chamber of claim 8, further comprising means for removably connecting the chamber inlet to the output of the respiratory therapy device.

29. The humidification chamber of claim 8, further comprising means for removably connecting the chamber outlet to a means for delivering the pressurized breathable gas with added humidity to the patient.

30. The humidification chamber of claim 8, wherein the respiratory therapy device includes means for controlling the respiratory therapy provided to the patient.

31. The humidification chamber of claim 8, further comprising means for adding water to the humidification chamber.

32. The humidification chamber of claim 8, further comprising means for preventing spillage of water out of the chamber inlet when the bottom surface of the humidification chamber is in an angled orientation relative to horizontal.

33. The humidification chamber of claim 8, further comprising means for preventing spillage of water out of the chamber outlet when the bottom surface the humidification chamber is in an angled orientation relative to horizontal.



UNITED STATES PATENT AND TRADEMARK OFFICE  
**CERTIFICATE OF CORRECTION**

PATENT NO. : RE48,095 E  
APPLICATION NO. : 16/232883  
DATED : July 14, 2020  
INVENTOR(S) : Virr et al.

Page 1 of 1

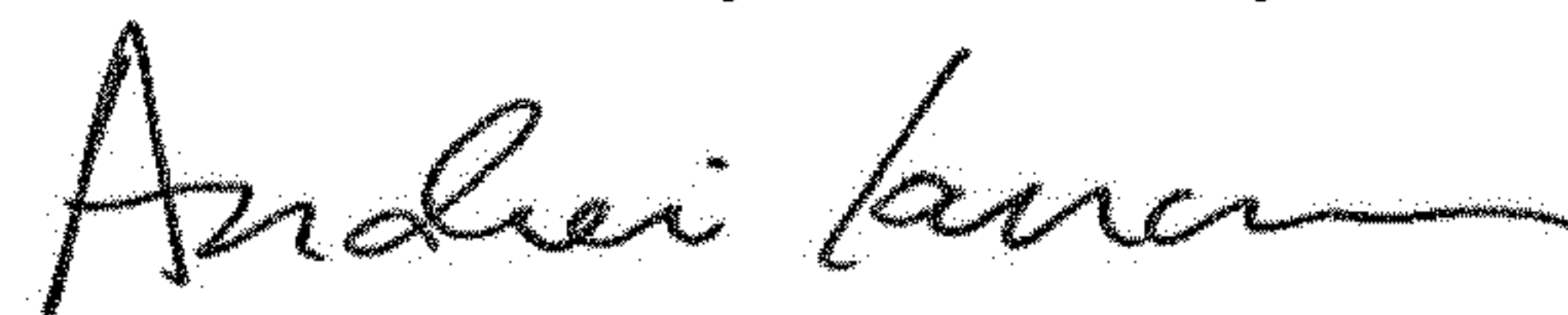
It is certified that error appears in the above-identified patent and that said Letters Patent is hereby corrected as shown below:

In the Specification

At Column 1, under the heading "CROSS REFERENCE TO RELATED APPLICATIONS," replace Lines 16-25 (approx.), with the following:

--NOTICE: *More than one reissue application has been filed for the reissue of U.S. Patent No. 7,614,398 B2. The reissue applications are U.S. Reissue Patent Application No. 16/232,883 (the present application), filed December 26, 2018, now U.S. Reissue Patent No. RE48,095 E, issued July 14, 2020, which is a continuation reissue application of U.S. Reissue Patent Application Serial No. 16/231,286, filed on December 21, 2018, now U.S. Reissue Patent No. RE48,118 E, issued July 28, 2020, which is a continuation reissue application of U.S. Reissue Patent Application Serial No. 15/706,811, filed on September 18, 2017, now U.S. Reissue Patent No. RE48,149 E, issued August 11, 2020, which is a continuation reissue application of U.S. Reissue Patent Application Serial No. 15/182,919, filed on June 15, 2016, now U.S. Reissue Patent No. RE46,571 E, issued October 17, 2017, which is a continuation reissue application of U.S. Reissue Patent Application Serial No. 13/944,960, filed on July 18, 2013, now U.S. Reissue Patent No. RE46,079 E, issued July 26, 2016, which is a continuation reissue application of U.S. Reissue Patent Application Serial No. 13/100,783, filed on May 4, 2011, now U.S. Reissue Patent No. RE44,453 E, issued August 27, 2013, which is a reissue application of U.S. Patent Application No. 11/181,807, filed July 15, 2005, now U.S. Patent No. 7,614,398 B2, issued November 10, 2009, which is a continuation of U.S. Patent Application Serial No. 10/467,382, filed on August 7, 2003, now U.S. Patent No. 6,935,337 B2, issued August 30, 2005,--*

Signed and Sealed this  
Nineteenth Day of January, 2021



Andrei Iancu  
Director of the United States Patent and Trademark Office