



US00RE48092E

(19) **United States**
(12) **Reissued Patent**
Tompkin et al.

(10) **Patent Number: US RE48,092 E**
(45) **Date of Reissued Patent: Jul. 14, 2020**

(54) **SPEAKERPHONE**

FOREIGN PATENT DOCUMENTS

(71) Applicant: **Polycom, Inc.**, San Jose, CA (US)

TW D108485 8/1994

(72) Inventors: **Crispian Tompkin**, Los Angeles, CA (US); **Luke David Springer**, El Segundo, CA (US); **Anthony Martin Duys**, Merrimac, MA (US); **Alexander Baker Ekrut**, Austin, TX (US); **Richard J. Montague**, Cupertino, CA (US); **Jochen Eidam**, Los Gatos, CA (US)

OTHER PUBLICATIONS

Xing Conference Phone for Skype, <URL: www.ipevo.com>, retrieved from Internet Jan. 31, 2008.

(Continued)

Primary Examiner — Philip S Hyder

(74) *Attorney, Agent, or Firm* — Blank Rome, LLP

(73) Assignee: **Polycom, Inc.**, San Jose, CA (US)

(57) **CLAIM**

(21) Appl. No.: **29/679,618**

The ornamental design for a speakerphone, as shown and described.

(22) Filed: **Feb. 7, 2019**

DESCRIPTION

Related U.S. Patent Documents

Reissue of:

(64) Patent No.: **Des. 760,201**
Issued: **Jun. 28, 2016**
Appl. No.: **29/518,227**
Filed: **Feb. 20, 2015**

U.S. Applications:

(62) Division of application No. 29/638,676, filed on Feb. 28, 2018, now Pat. No. Re. 47,282, which is a (Continued)

(51) **LOC (12) Cl.** **14-01**

(52) **U.S. Cl.**
USPC **D14/221**

(58) **Field of Classification Search**
USPC D14/149, 150, 155, 159, 215, 217, 218, D14/221, 225, 229, 240, 299; D13/108; D21/331

(Continued)

(56) **References Cited**

U.S. PATENT DOCUMENTS

4,363,482 A 12/1982 Goldfarb
D283,124 S * 3/1986 Kolb D14/210

(Continued)

This application is a reissue divisional application of U.S. Design application Ser. No. 29/638,676, now U.S. Design Pat. No. Re. 47,282, which issued on Mar. 12, 2019 and is a reissue divisional application of U.S. Design application Ser. No. 29/620,772, now U.S. Design Pat. No. Re. 46,940, which issued on Jun. 20, 2018 and is a reissue of U.S. Design Pat. No. D. 760,201, which issued on Jun. 28, 2016 from U.S. Design application Ser. No. 29/518,227, filed on Feb. 20, 2015, the contents of which applications are entirely incorporated by reference herein.

FIG. 1 is a perspective view showing a top, a front, and a left side of a speakerphone according to our new design;

FIG. 2 is an elevational view of the front of the speakerphone;

FIG. 3 is an elevational view of a back of the speakerphone;

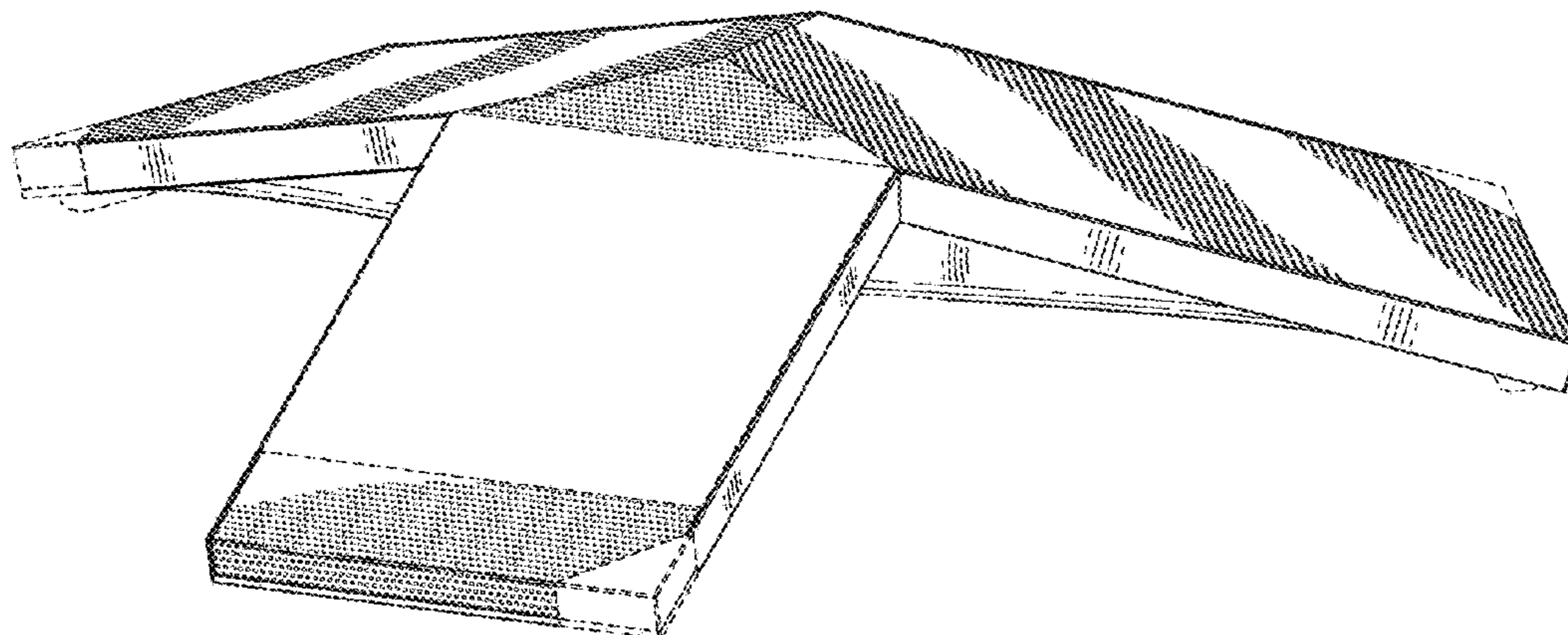
FIG. 4 is an elevational view of the left side of the speakerphone;

FIG. 5 is an elevational view of a right side of the speakerphone;

FIG. 6 is a plan view of the top of the speakerphone; and, FIG. 7 is a plan view of a bottom of the speakerphone.

The broken lines showing in FIGS. [1-5 and 7] 1-7 are for illustrative purposes only and form no part of the claimed design.

(Continued)



(Amended)

The grid of circular apertures schematically depicted in FIGS. 1-6 is continuous throughout the surfaces on which the apertures are shown.

1 Claim, 4 Drawing Sheets

Matter enclosed in heavy brackets [] appears in the original patent but forms no part of this reissue; matter printed in italics indicates the additions made by reissue.

Related U.S. Application Data

division of application No. 29/620,772, filed on May 31, 2017, now Pat. No. Re. 46,940, which is an application for the reissue of Pat. No. Des. 760,201.

(58) **Field of Classification Search**

CPC . H04M 3/42; H04M 1/20; H04M 1/22; H04R 1/02; H04R 3/00; H04R 1/28
See application file for complete search history.

(56) **References Cited**

U.S. PATENT DOCUMENTS

D292,090 S * 9/1987 Shintomi D14/141.1
D292,283 S * 10/1987 Matsuda D14/212
D303,522 S * 9/1989 Meda D14/142
4,875,234 A * 10/1989 Tragatschnig H04M 1/02
379/368
D308,701 S 6/1990 Kojima
D309,161 S 7/1990 Leung
D311,541 S 10/1990 Carre
D327,479 S 6/1992 Britz
D332,948 S * 2/1993 Barr D14/392
D342,732 S 12/1993 Hinman et al.
D368,721 S 4/1996 Howell et al.
D375,090 S 10/1996 Lambert et al.
D382,265 S 8/1997 Wakefield
D382,266 S 8/1997 Wakefield
D396,716 S 8/1998 Matsuda et al.
D403,328 S * 12/1998 Wakefield D14/229
D406,841 S 3/1999 Myung
D411,995 S 7/1999 Chen
6,016,346 A 1/2000 Rittmueller et al.

D419,997 S 2/2000 Montalbo et al.
D421,606 S 3/2000 Montalbo et al.
D431,236 S 9/2000 Read et al.
D434,747 S 12/2000 Bird et al.
D439,538 S 3/2001 Lynch
D444,777 S 7/2001 Bird et al.
D448,754 S 10/2001 Chang
D449,285 S 10/2001 Wakefield et al.
D449,286 S 10/2001 Wakefield et al.
D457,150 S 5/2002 Chen
D461,179 S 8/2002 Christianson
D463,410 S 9/2002 Strand et al.
D473,546 S 4/2003 Hovanky et al.
D474,169 S 5/2003 Fletcher
D478,560 S 8/2003 Misrahi et al.
D480,059 S 9/2003 Misrahi et al.
D481,371 S 10/2003 Chen
D488,794 S 4/2004 Chen
D489,358 S * 5/2004 Chen D14/215
D491,909 S 6/2004 Sun
D499,392 S 12/2004 Bathurst et al.
D536,327 S 2/2007 Lukic et al.
D556,179 S 11/2007 Chang
D557,675 S 12/2007 Diebel et al.
D557,676 S 12/2007 Suzuki et al.
D566,682 S 4/2008 Marash
D571,776 S * 6/2008 Duys D14/150
D576,156 S 9/2008 Wilson et al.
D579,911 S * 11/2008 Wei D14/155
7,480,502 B2 * 1/2009 Biddulph H01Q 1/38
343/833
D586,743 S * 2/2009 Guccione D13/107
D594,438 S 6/2009 Wada
D620,916 S * 8/2010 Wada D14/149
D635,955 S * 4/2011 Corrigan D14/149
D674,338 S 1/2013 Au Yeung
D674,374 S 1/2013 Roberts
D714,258 S * 9/2014 Montague D14/221
2003/0053620 A1 3/2003 Chen
2009/0268899 A1 * 10/2009 Tokuda H04M 1/6033
379/420.02

OTHER PUBLICATIONS

Polycom VoiceStation 300, <URL: www.101Phones.com>, retrieved from Internet Jan. 31, 2008.
Polycom SoundStation2, <URL: www.101Phones.com>, retrieved from internet Jan. 31, 2008.

* cited by examiner

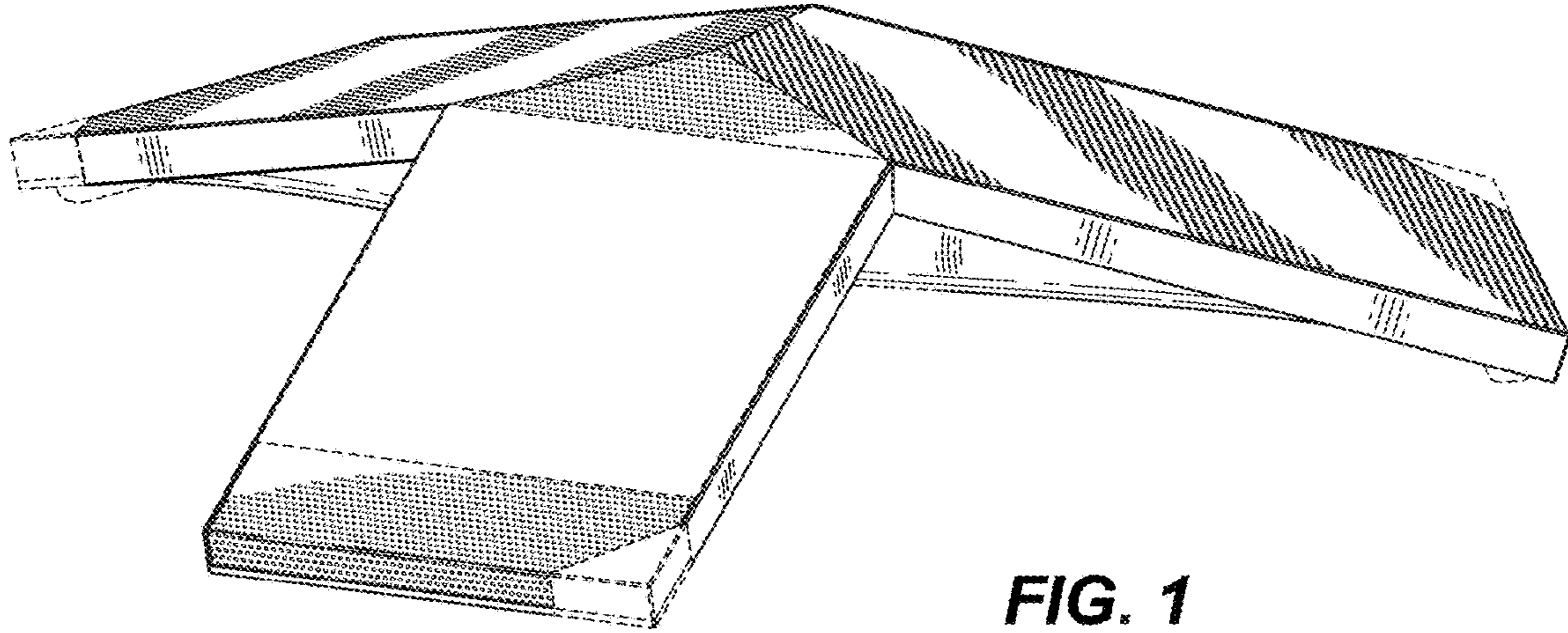


FIG. 1
(Amended)

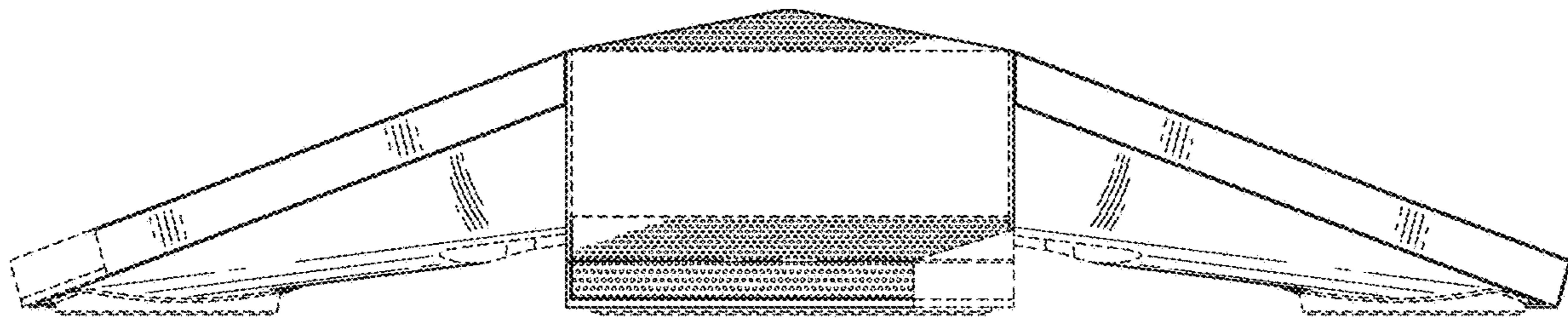


FIG. 2
(Amended)

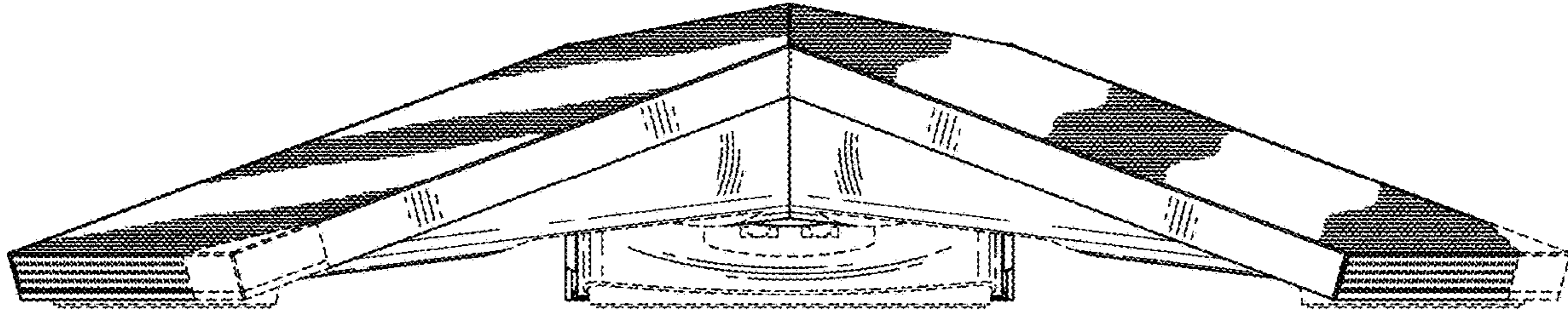


FIG. 3
(Amended)

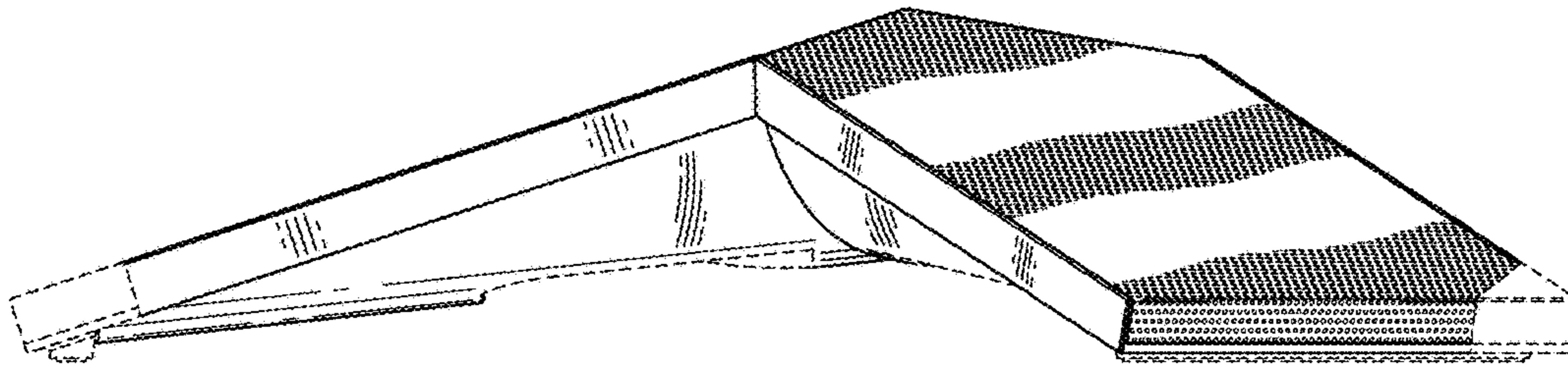


FIG. 4
(Amended)

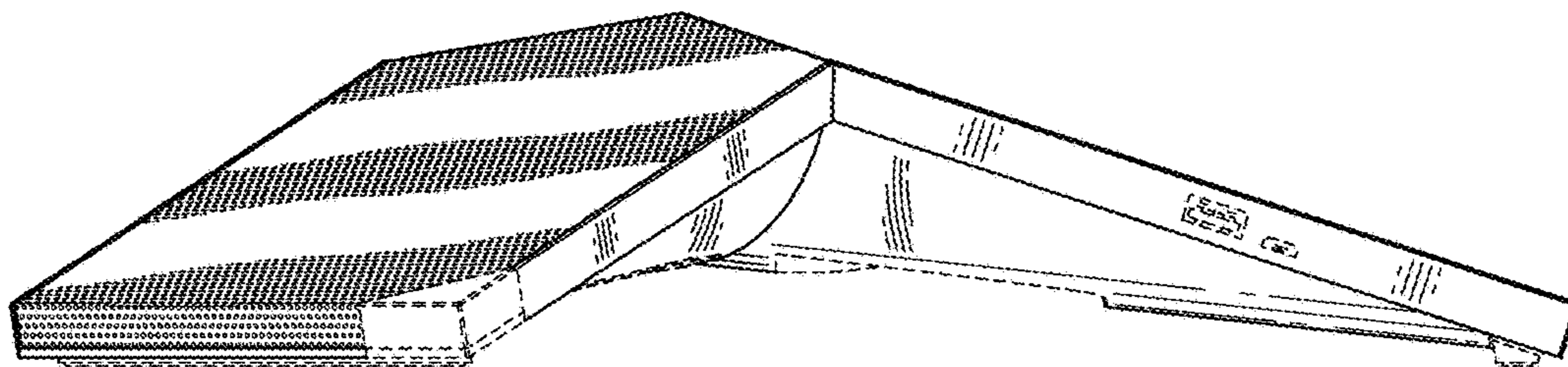


FIG. 5
(Amended)

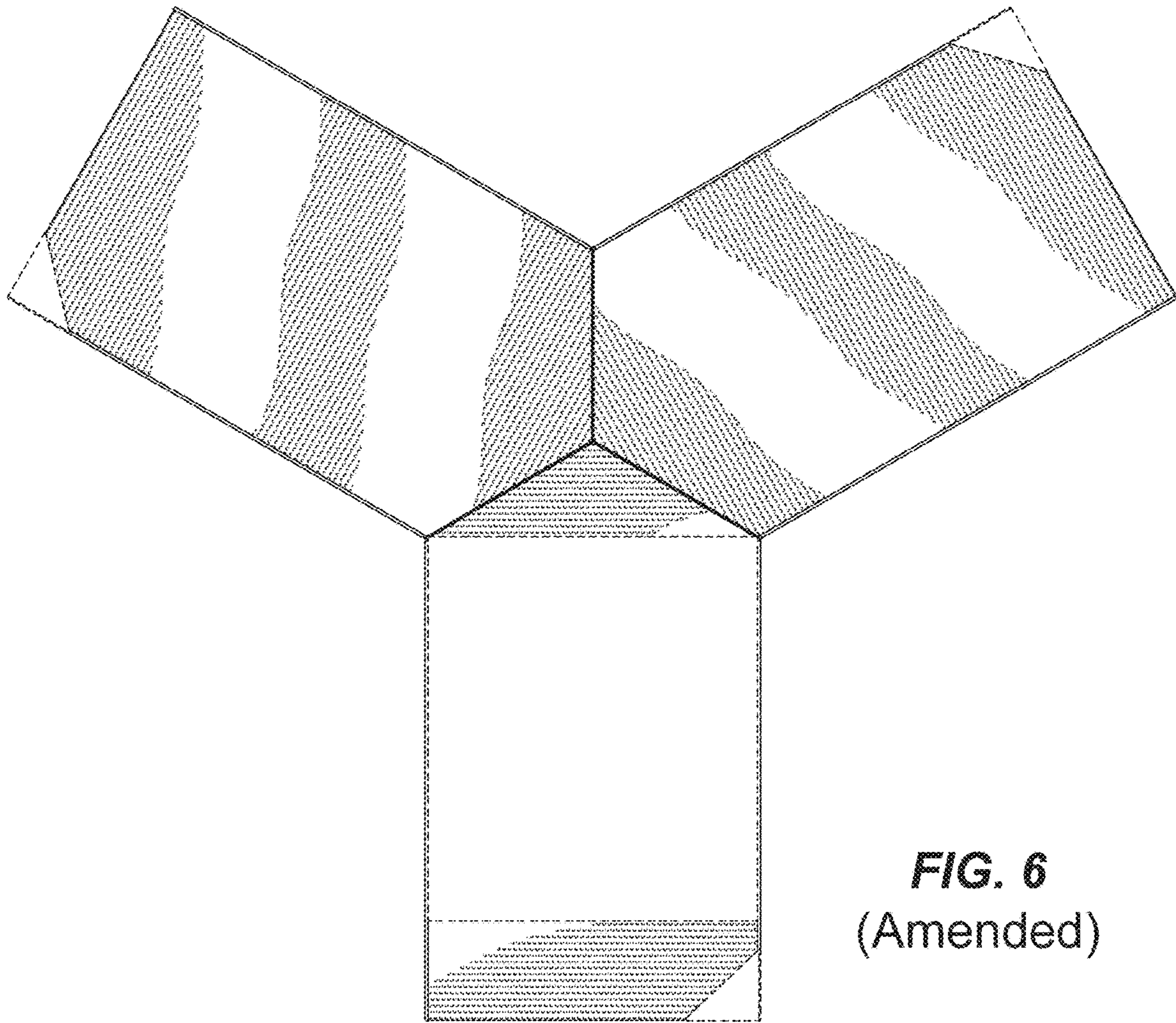


FIG. 6
(Amended)

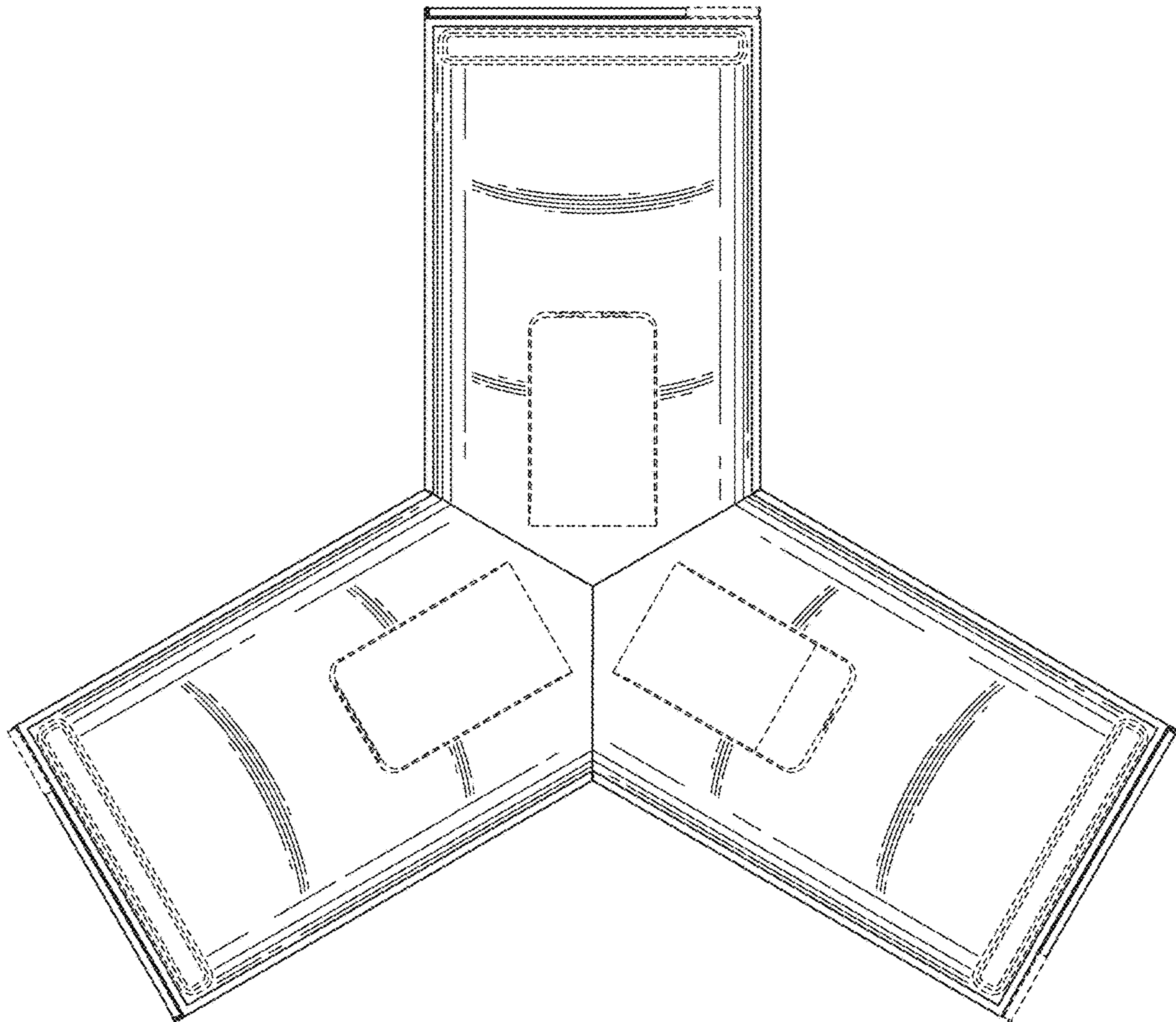


FIG. 7
(Amended)

UNITED STATES PATENT AND TRADEMARK OFFICE
CERTIFICATE OF CORRECTION

PATENT NO. : RE48,092 E
APPLICATION NO. : 29/679618
DATED : August 25, 2020
INVENTOR(S) : Chung et al.

Page 1 of 1

It is certified that error appears in the above-identified patent and that said Letters Patent is hereby corrected as shown below:

In the Specification

The second column, under the heading "DESCRIPTION," please replace the first eight lines (i.e., "This application is a reissue divisional application of U.S. Design application Ser. No. 29/638,676, now U.S. Design Pat. No. Re. 47,282, which issued on Mar. 12, 2019 and is a reissue divisional application of U.S. Design application Ser. No. 29/620,772, now U.S. Design Pat. No. Re. 46,940, which issued on Jun. 20, 2018 and is a reissue of U.S. Design Pat. No. D. 760,201, which issued on Jun. 28, 2016 from U.S. Design application Ser. No. 29/518,227, filed on") and the beginning portion of the ninth line which includes "Feb. 20, 2015, " with the following:

--NOTICE: More than one reissue application has been filed for the reissue of U.S.

Patent No. D760,201 S. The reissue applications are U.S. Reissue Patent Application Serial No. 29/679,618 (the present application), filed on February 7, 2019, now U.S. Reissue Patent No. RE48,092 E, issued July 14, 2020, which is a divisional reissue application of U.S. Reissue Patent Application Serial No. 29/638,676, filed on February 28, 2018, now U.S. Reissue Patent No. RE47,282 E, issued March 12, 2019, which is a divisional reissue application of U.S. Reissue Patent Application Serial No. 29/620,772, filed on May 31, 2017, now U.S. Reissue Patent No. RE46,940 E, issued July 10, 2018, which is a reissue application of U.S. Design Patent Application Serial No. 29/518,227, filed on February 20, 2015, now U.S. Design Patent No. D760,201 S, issued June 28, 2016,--

Signed and Sealed this
Thirtieth Day of March, 2021



Drew Hirshfeld
Performing the Functions and Duties of the
Under Secretary of Commerce for Intellectual Property and
Director of the United States Patent and Trademark Office