



US00RE48091E

(19) **United States**
(12) **Reissued Patent**
Njibaloh

(10) **Patent Number: US RE48,091 E**
(45) **Date of Reissued Patent: Jul. 14, 2020**

(54) **INFANT OUTFIT**

DESCRIPTION

- (71) Applicant: **Ollia Njibaloh**, Freeport, NY (US)
- (72) Inventor: **Ollia Njibaloh**, Freeport, NY (US)
- (21) Appl. No.: **29/676,882**
- (22) Filed: **Jan. 15, 2019**

Related U.S. Patent Documents

Reissue of:

- (64) Patent No.: **Des. 798,542**
- Issued: **Oct. 3, 2017**
- Appl. No.: **29/573,106**
- Filed: **Aug. 2, 2016**

- (51) **LOC (12) Cl.** **02-02**
- (52) **U.S. Cl.**
USPC **D2/745**
- (58) **Field of Classification Search**
USPC D2/717, 728, 733, 745, 749, 776, 802,
D2/828, 840, 500; 2/76, 80, 90, 111
CPC A41D 11/00; A41D 1/04
See application file for complete search history.

(56) **References Cited**

U.S. PATENT DOCUMENTS

- D295,575 S * 5/1988 Campbell 2/115
- D347,933 S * 6/1994 Sessoms D2/749
- 5,392,466 A * 2/1995 Chou A41D 1/04
2/105
- D438,365 S * 3/2001 Matrasingh D2/840
(Continued)

Primary Examiner — Philip S Hyder

(74) *Attorney, Agent, or Firm* — Scully, Scott, Murphy & Presser, P.C.

(57) **CLAIM**

I claim the ornamental design for an infant outfit, as shown and described.

FIG. 1 is a perspective view of an infant outfit, showing a first embodiment of my new design with a collar of the design in a closed and upward configuration;
 FIG. 2 is a perspective view thereof, illustrated with the collar in an open and downward position;
 FIG. 3 is a front elevational view of FIG. 1, and with arms of the design in a straight configuration;
 FIG. 4 is a rear elevational view of FIG. 1;
 FIG. 5 is a left-side elevational view of FIG. 1;
 FIG. 6 is a right-side elevational view of FIG. 1;
 FIG. 7 is a top plan view of FIG. 1;
 FIG. 8 is a bottom plan view of FIG. 1;
 FIG. 9 is a perspective view of a second embodiment thereof, illustrated with the collar of the design in a closed and upward configuration;
 FIG. 10 is a perspective view of the second embodiment, illustrated with the collar in the open and downward position;
 FIG. 11 is a front elevational view of FIG. 9, and with arms of the design in the straight configuration;
 FIG. 12 is a rear elevational view of FIG. 9; and
 FIG. 13 is a left-side elevational view of FIG. 9.
 FIG. 14 is a right-side elevational view of FIG. 9;
 FIG. 15 is a top plan view of FIG. 9; and
 FIG. 16 is a bottom plan view of FIG. 9.

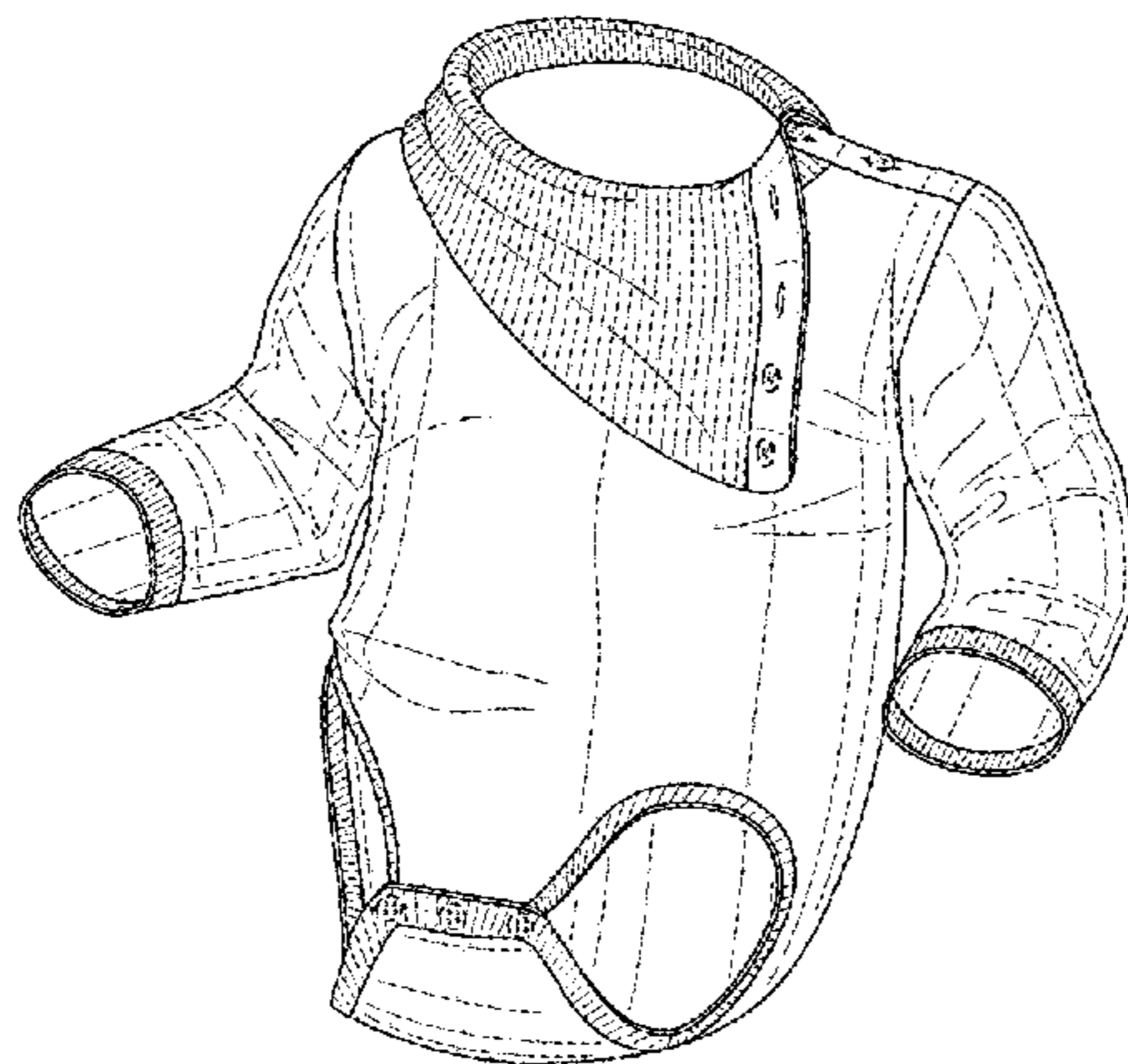
The dashed broken lines of the fasteners and their accompanying fastener openings in FIGS. 1-3, 5-11, and 13-16 illustrate portions of the outfit that form no part of the claimed design.

The broken lines showing an infant in FIGS. 1 and 9 depict environmental subject matter and form no part of the claimed design.

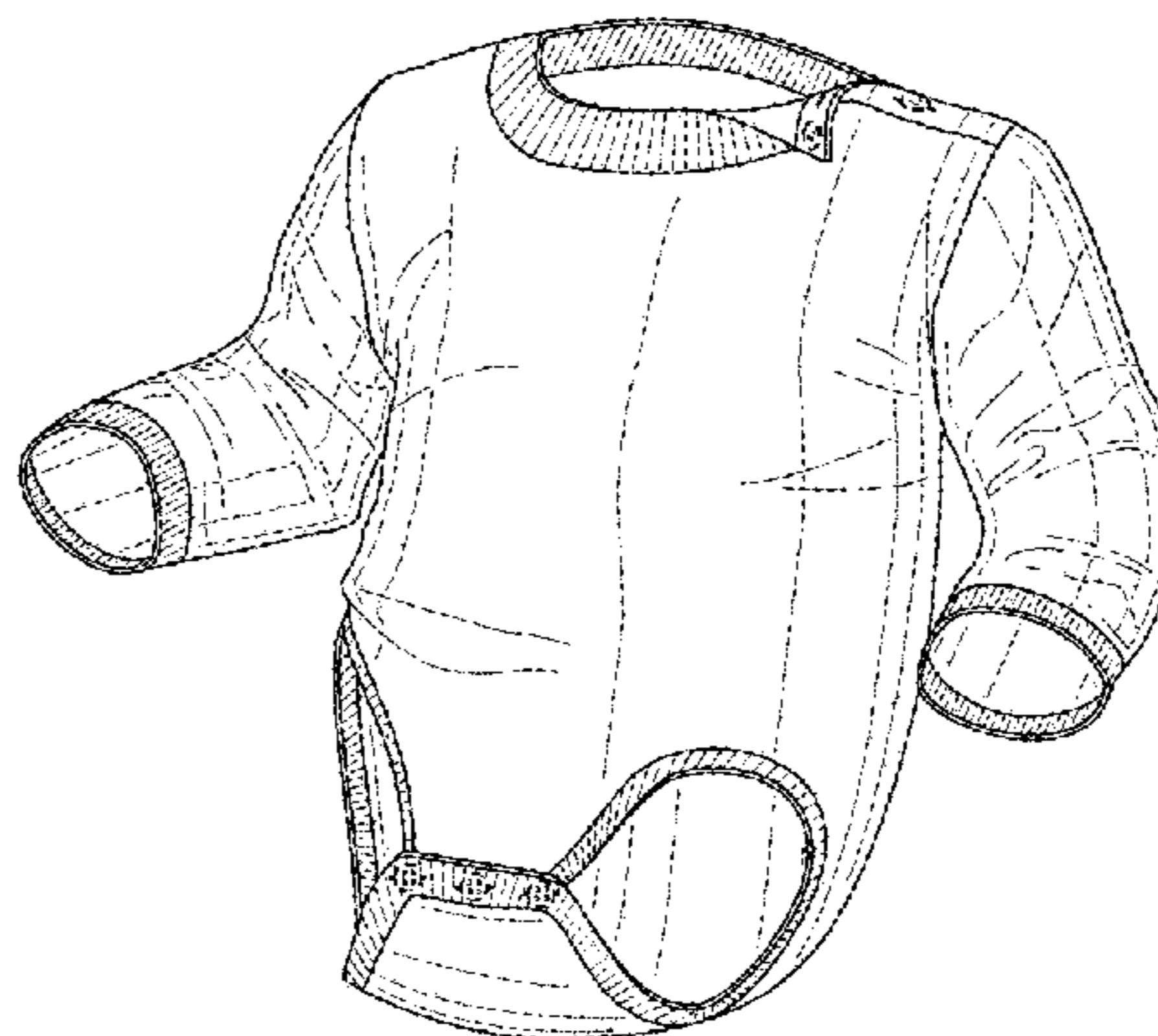
The collar and trim of the attached figures appear in solid lines and are intended to illustrate the ornamental design of the fabric of these portions of the garment.

1 Claim, 12 Drawing Sheets

Matter enclosed in heavy brackets [] appears in the original patent but forms no part of this reissue; matter printed in italics indicates the additions made by reissue.



(Amended)



(Amended)

(56)

References Cited

U.S. PATENT DOCUMENTS

6,216,271	B1 *	4/2001	Chen	A41D 13/1245 2/114
D509,947	S *	9/2005	Fortune	D2/840
D637,376	S *	5/2011	Chapman	D2/745
D656,709	S *	4/2012	Richards	D2/713
D689,259	S *	9/2013	Marrin	D2/733
D692,209	S *	10/2013	Dragu	D2/745
D710,571	S *	8/2014	James	D2/745
D731,757	S *	6/2015	Sullivan	D2/745
D731,758	S *	6/2015	Sullivan	D2/745
D732,796	S *	6/2015	Tuchardt	D2/745
D737,024	S *	8/2015	Couto	D2/745
D741,046	S *	10/2015	Pelekanou	D2/745
D742,097	S *	11/2015	Dunn	D2/745
D743,145	S *	11/2015	Tuchardt	D2/745
D744,722	S *	12/2015	Sullivan	D2/745
D749,820	S *	2/2016	Lombardo	D2/745
D767,251	S *	9/2016	Couto	D2/714
D785,907	S *	5/2017	Auth	D2/745
D798,542	S	10/2017	Njibaloh	
2013/0298305	A1 *	11/2013	Lushaj	A41D 11/00 2/80
2014/0123363	A1 *	5/2014	Templeton	A41B 13/08 2/69
2014/0250558	A1 *	9/2014	Russo	A41B 13/10 2/49.4

* cited by examiner



FIG. 1

(Amended)



FIG. 2

(Amended)

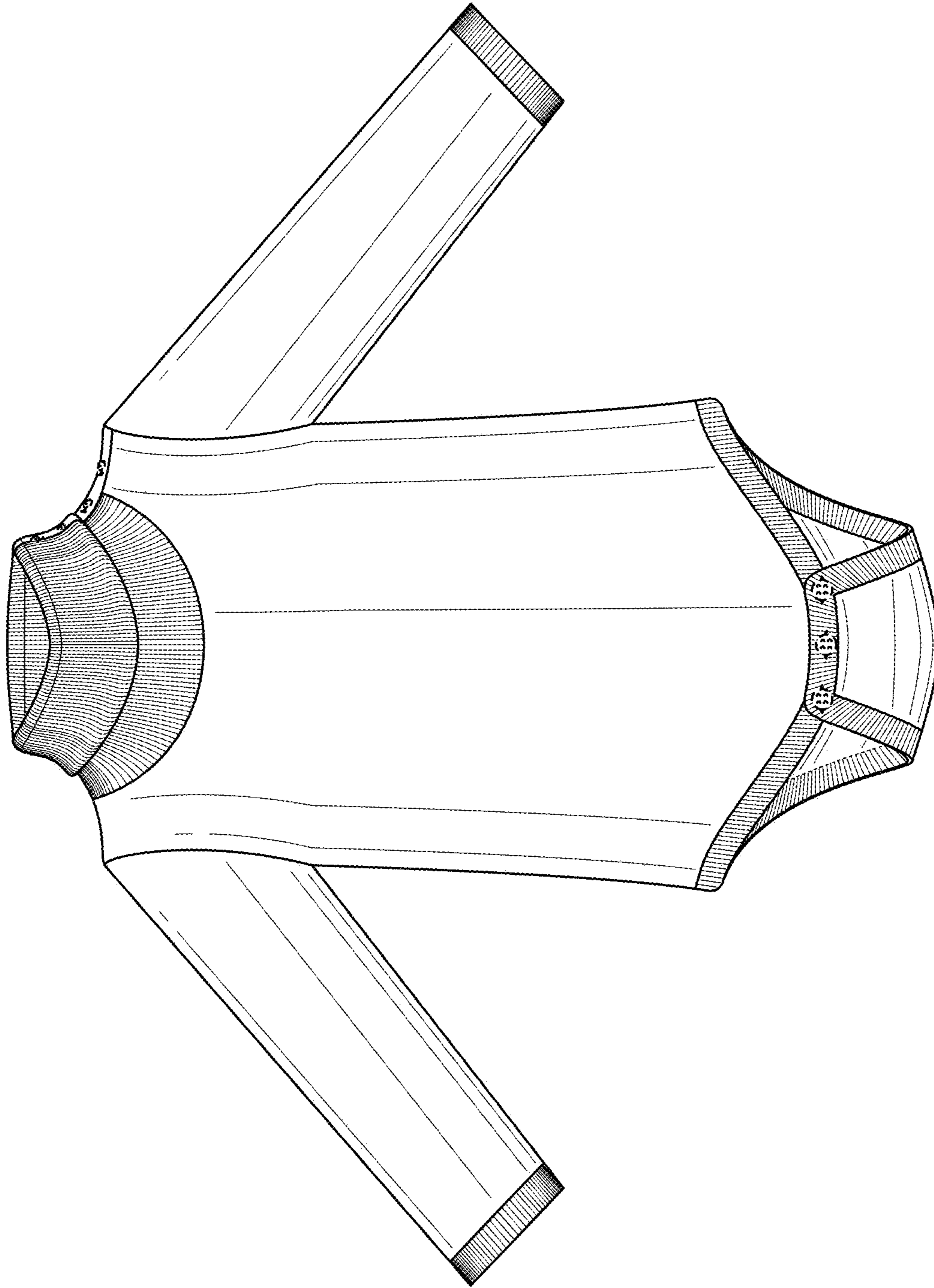


FIG. 3

(AMENDED)

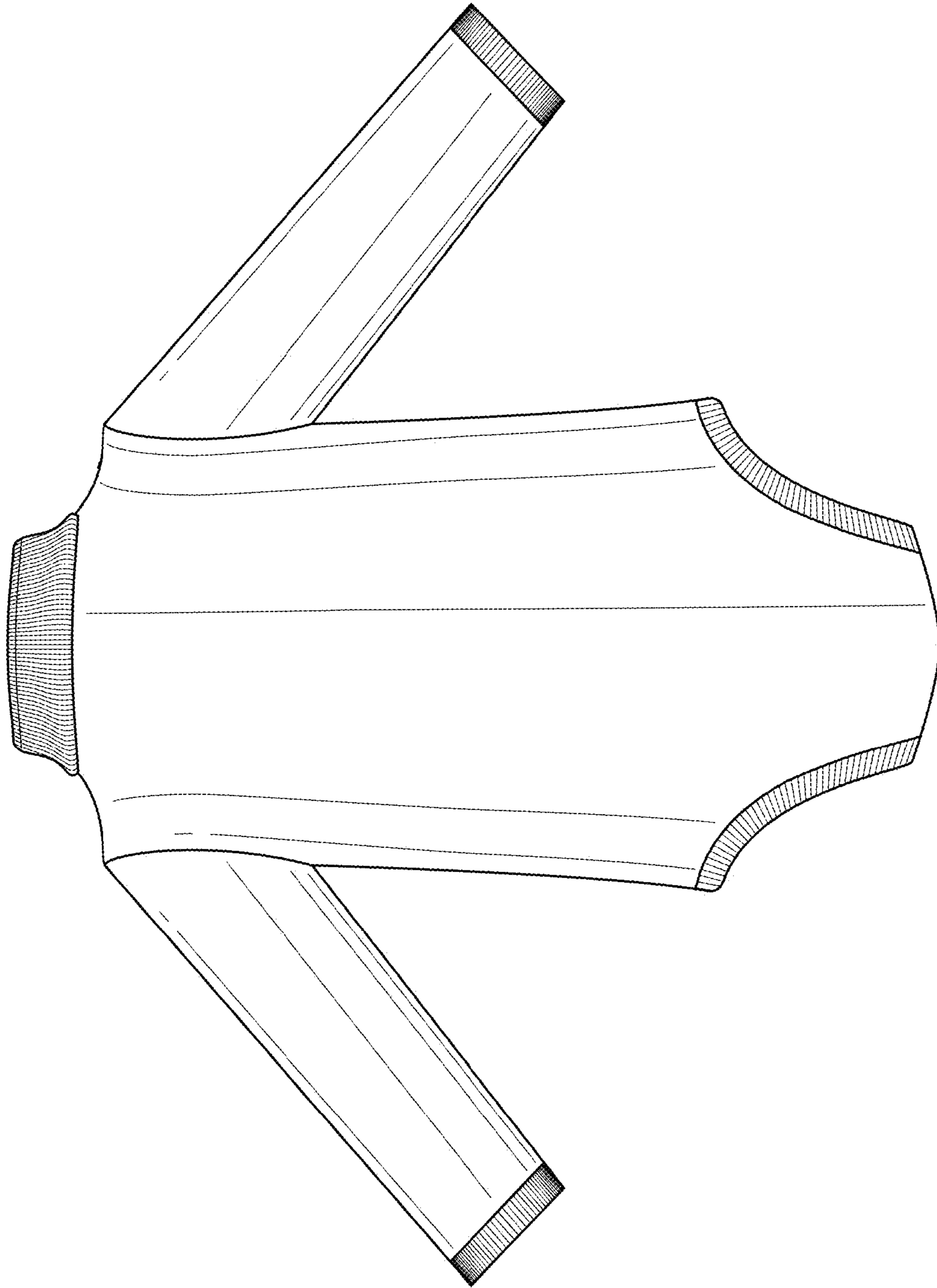


FIG. 4

(AMENDED)

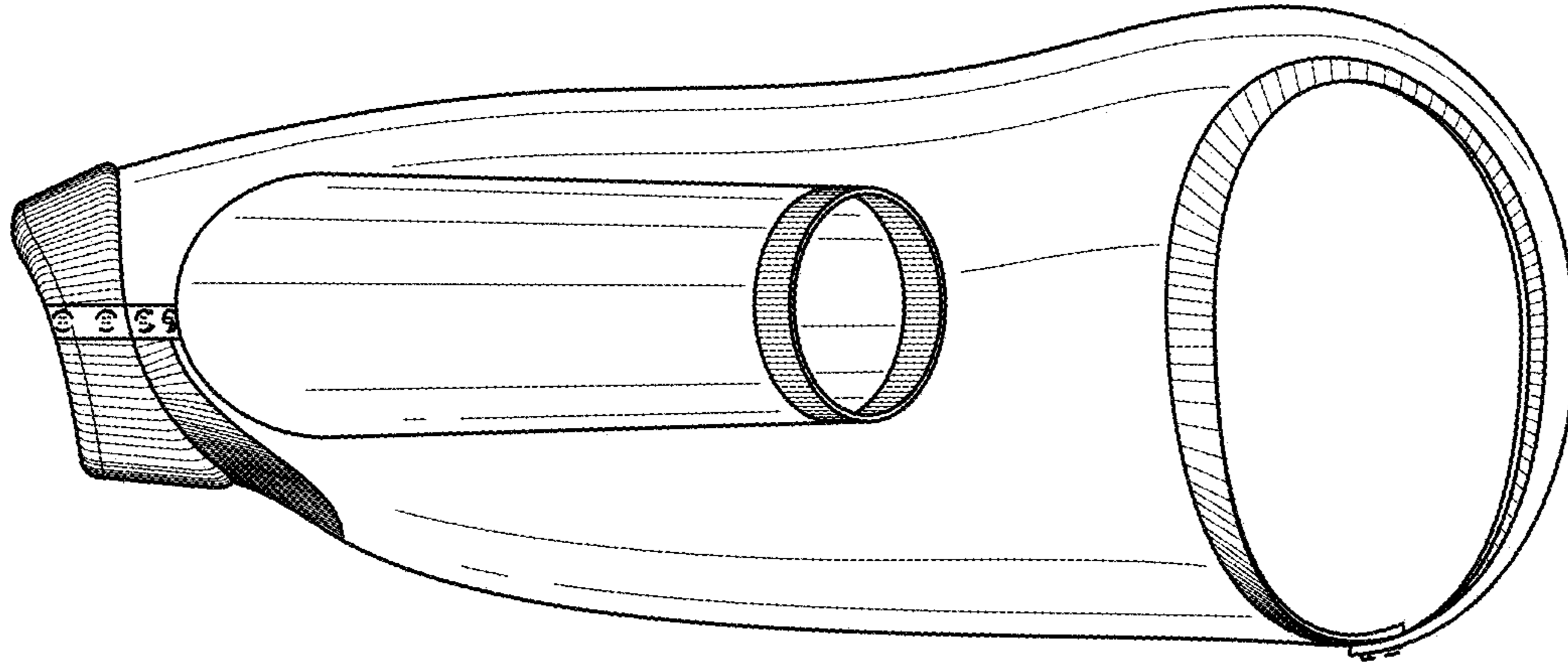


FIG. 5

(AMENDED)

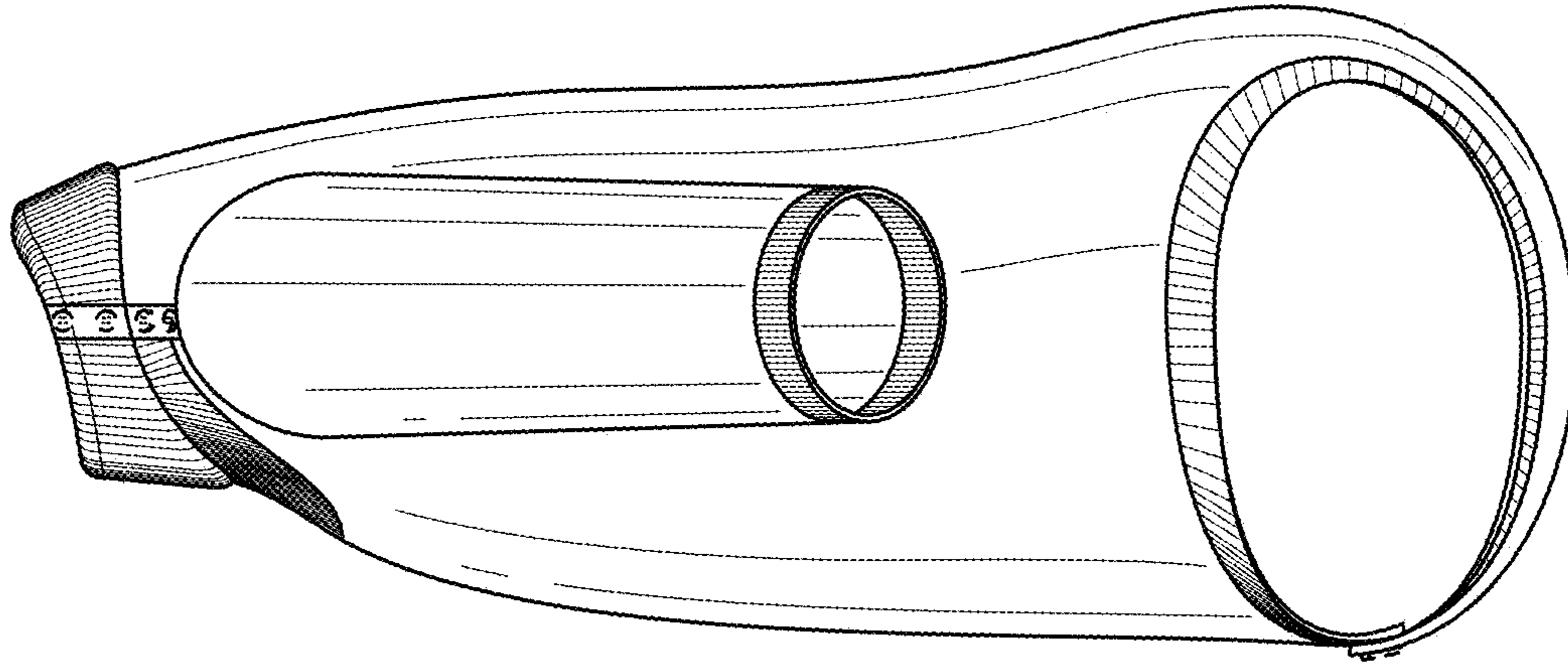


FIG. 6

(AMENDED)

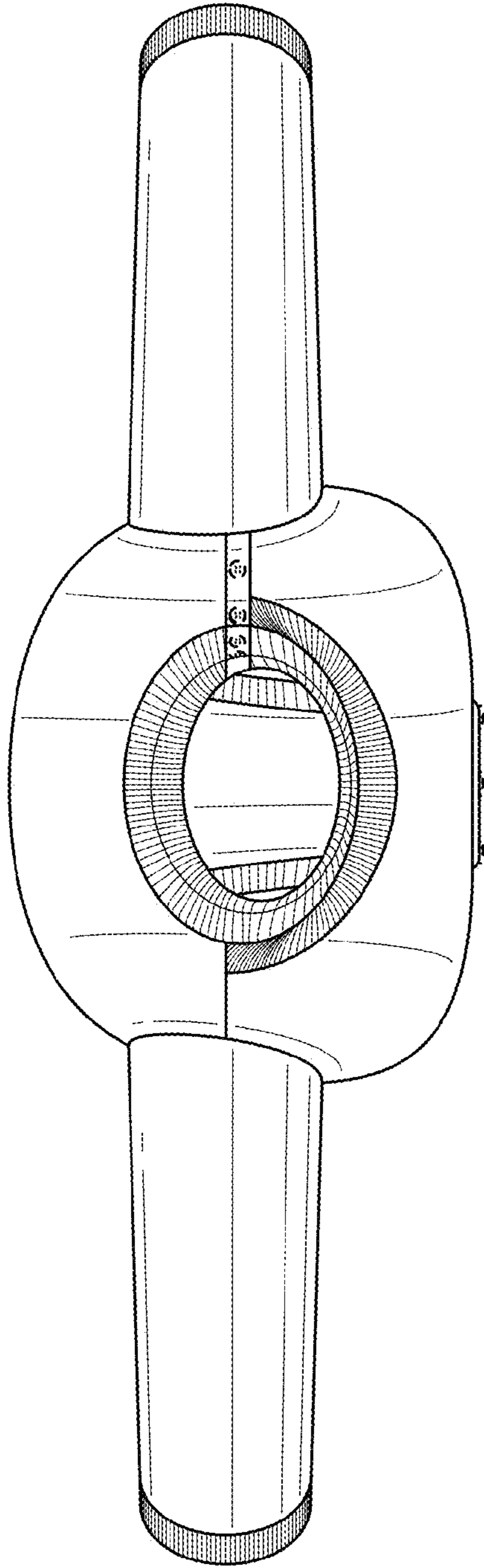


FIG. 7
(AMENDED)

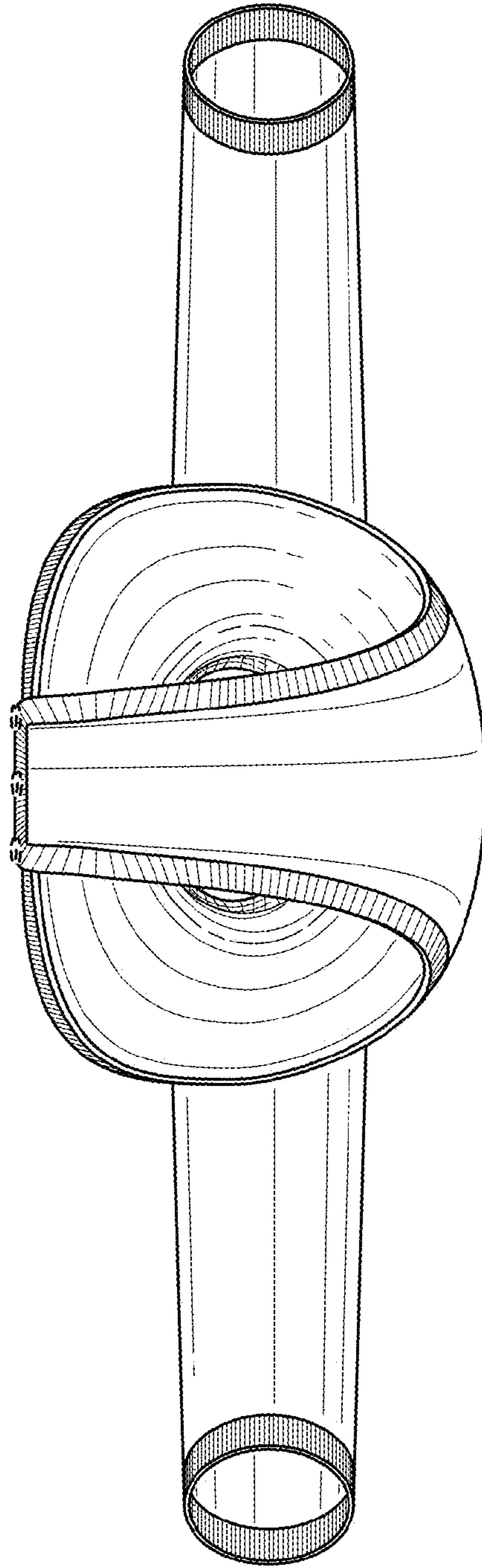


FIG. 8
(AMENDED)



FIG. 9

(Amended)

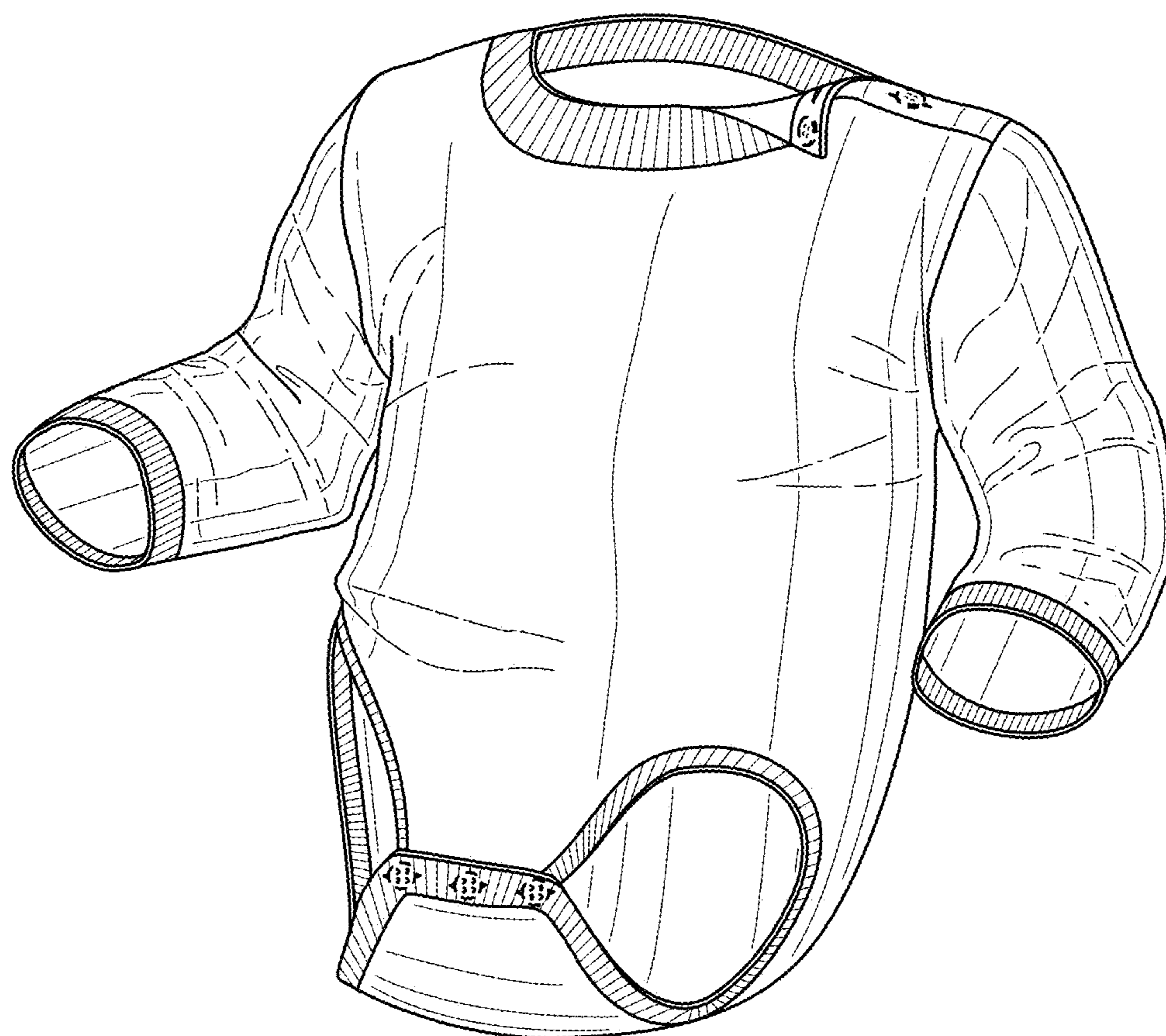


FIG. 10

(Amended)

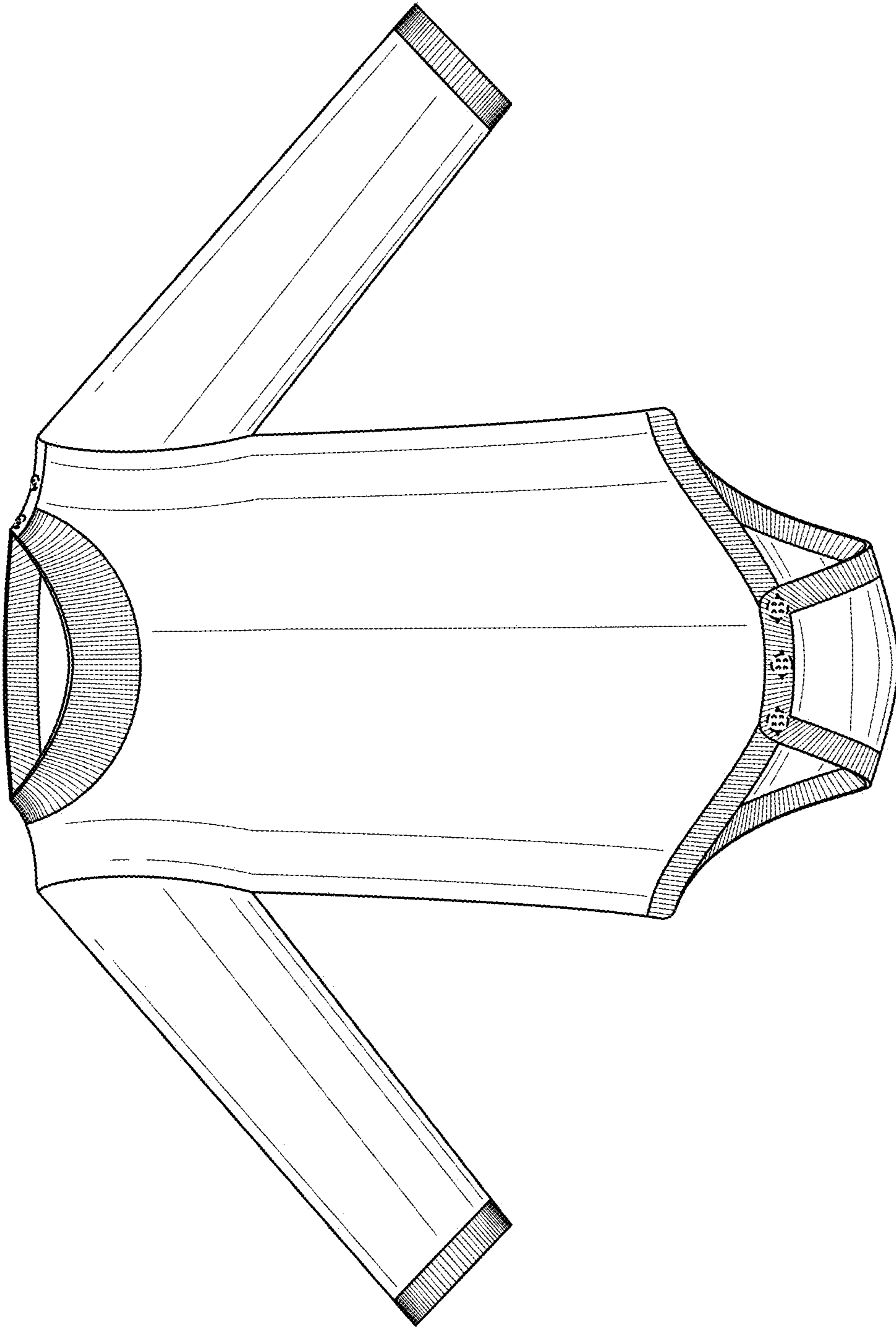


FIG. 11
(AMENDED)

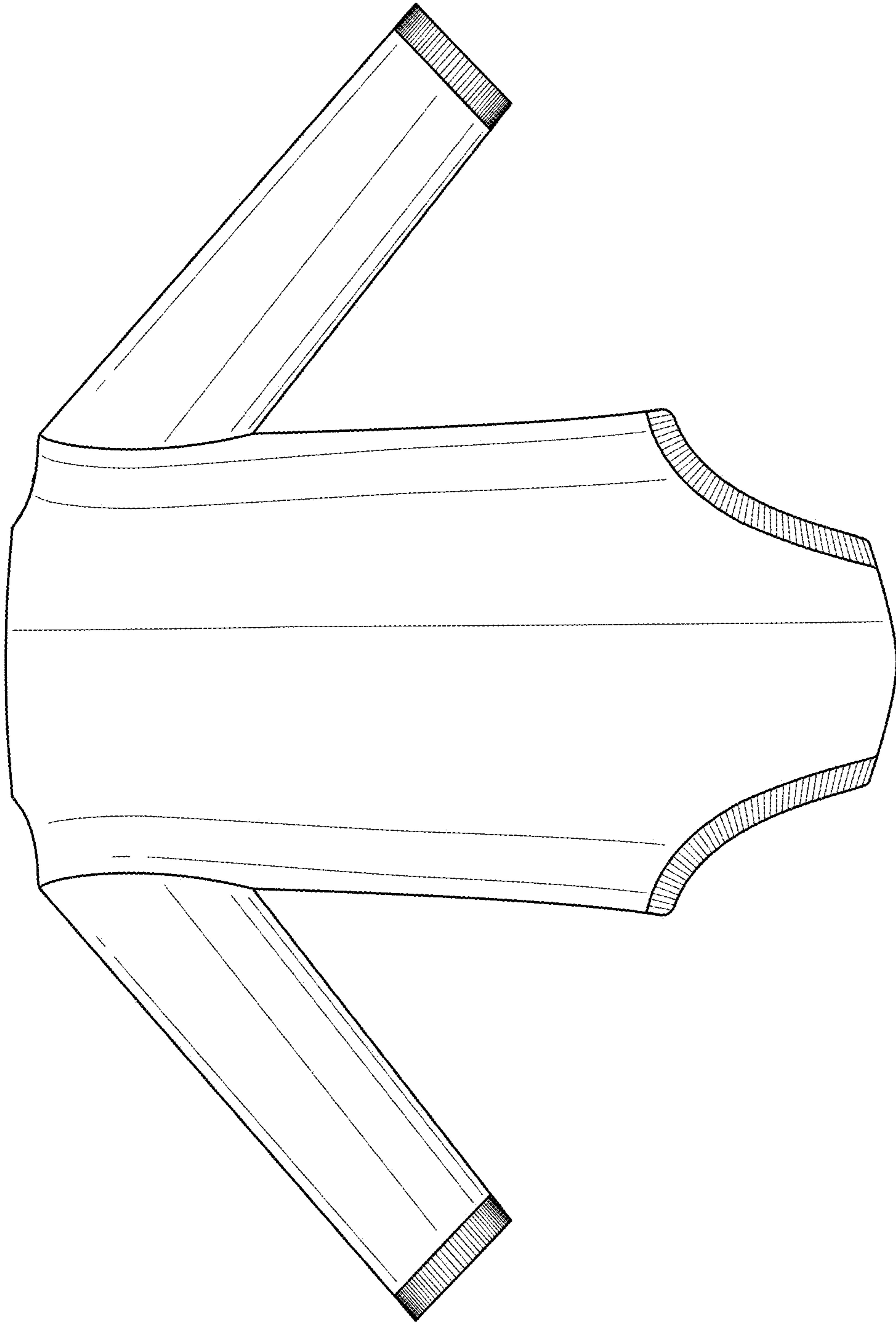


FIG. 12

(AMENDED)

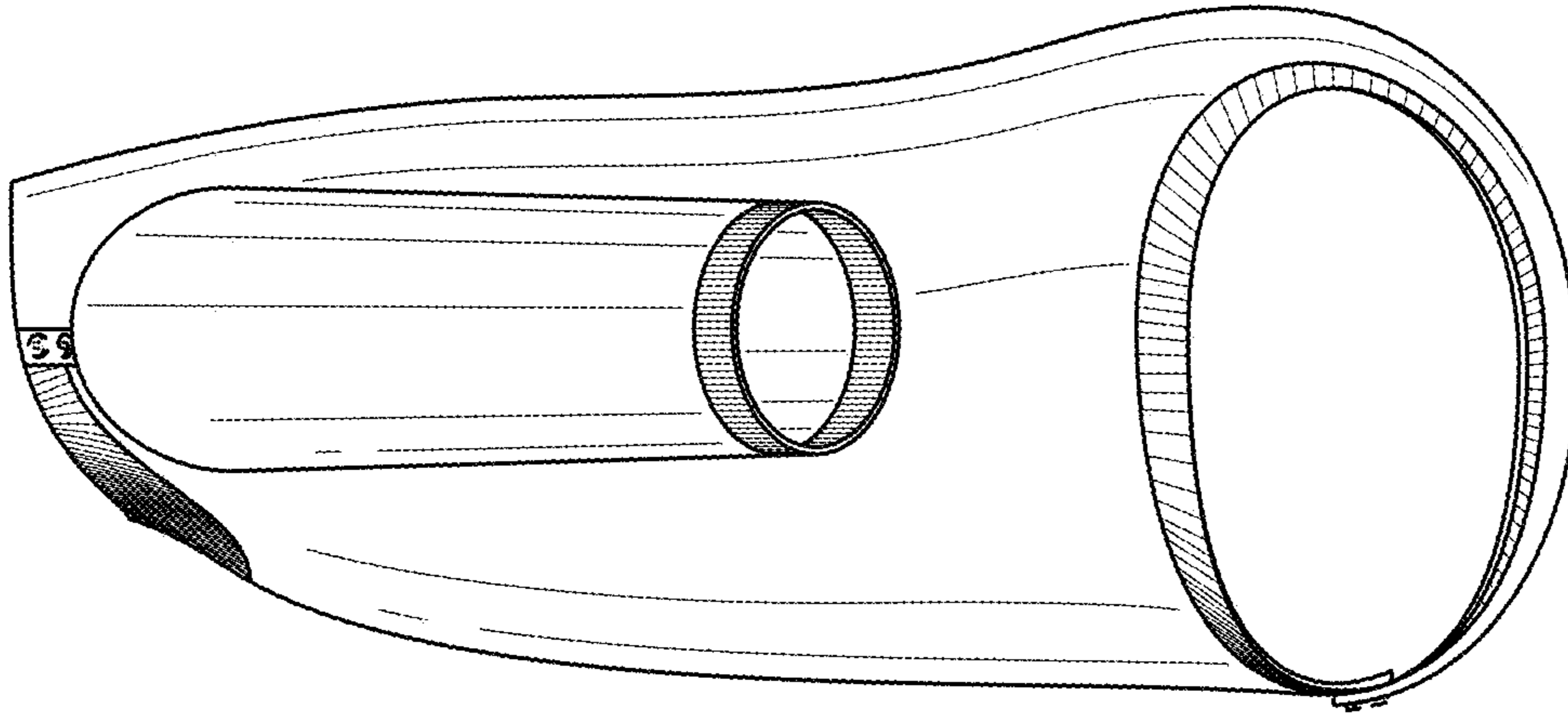


FIG. 13

(AMENDED)

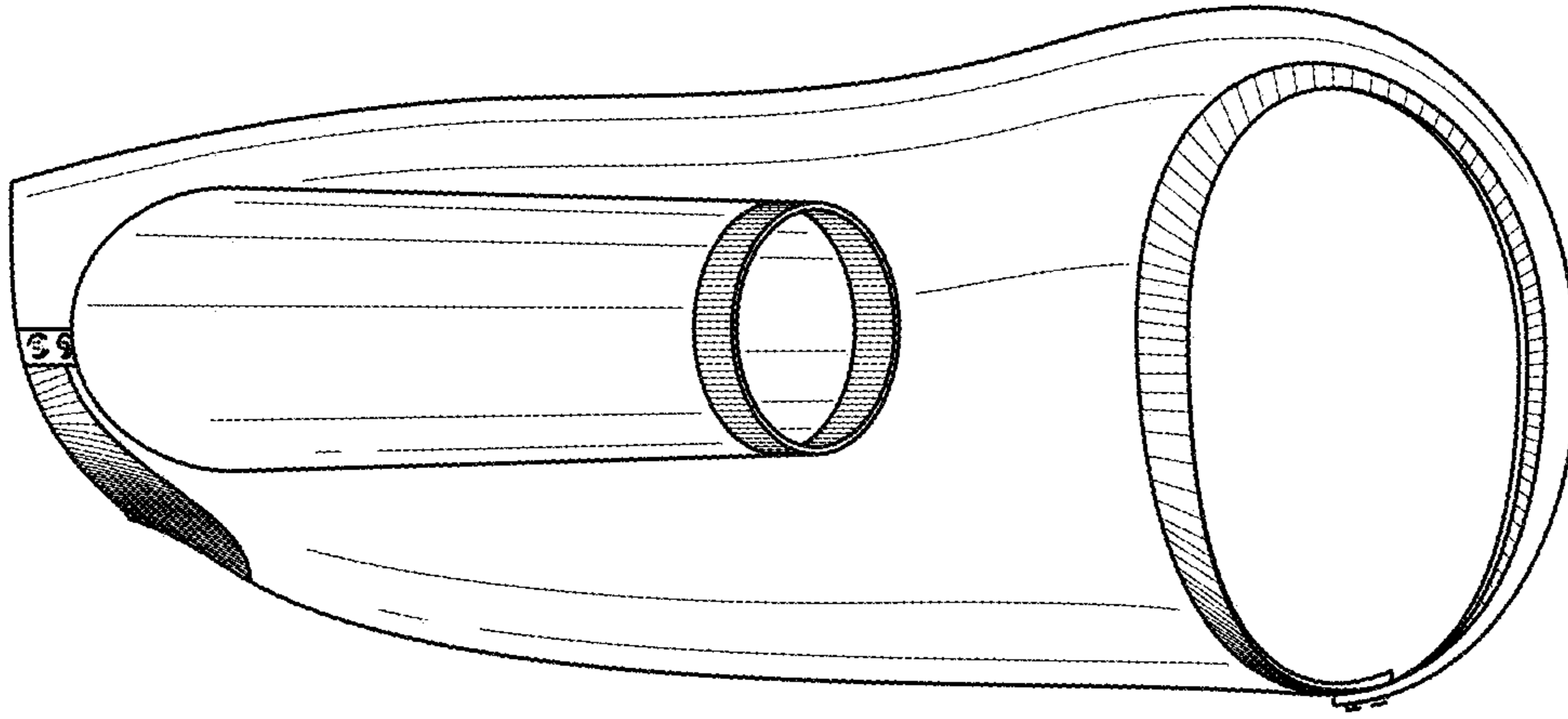


FIG. 14

(AMENDED)

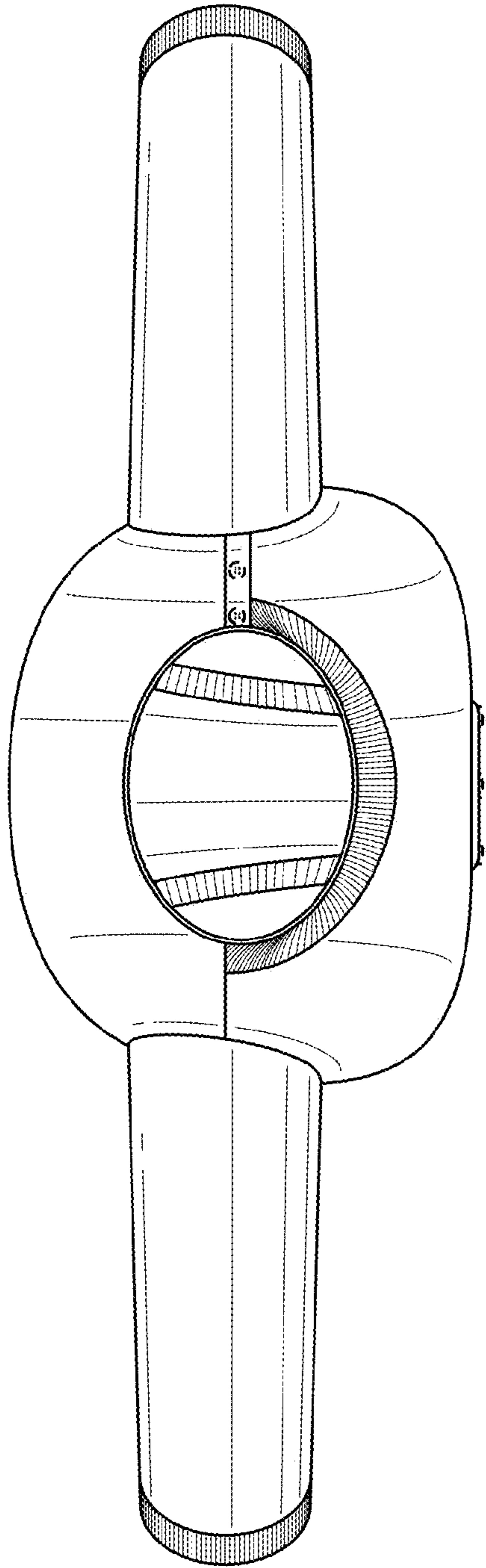


FIG. 15
(AMENDED)

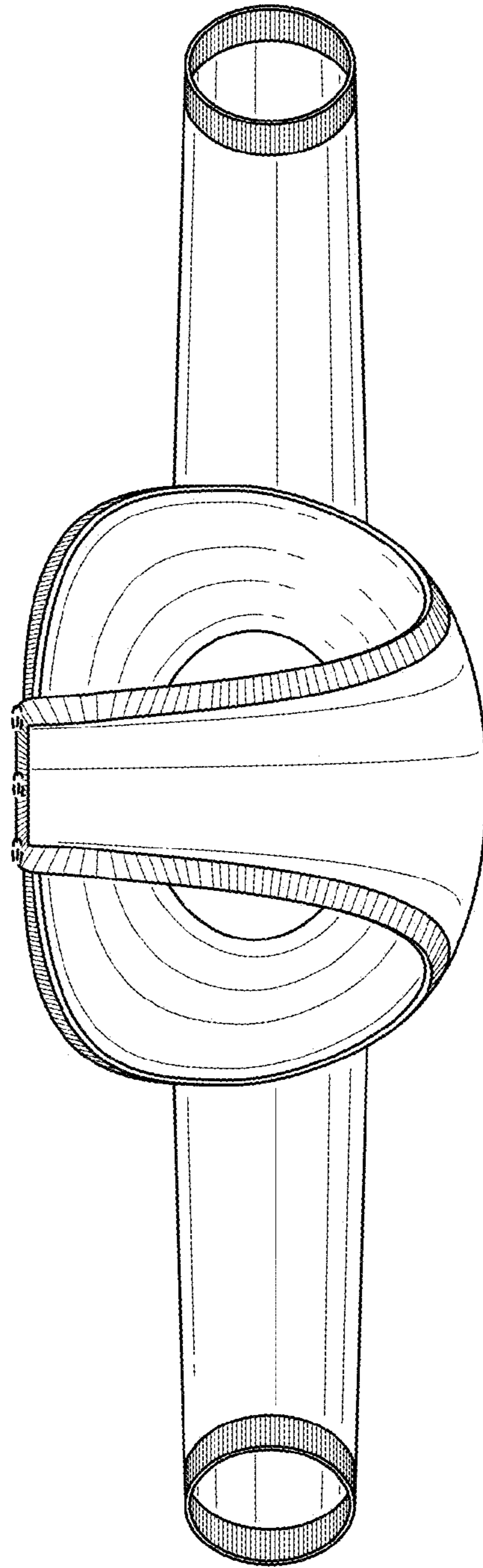


FIG. 16
(AMENDED)