



US00RE48070E

(19) **United States**  
(12) **Reissued Patent**  
**Clow et al.**

(10) **Patent Number: US RE48,070 E**  
(45) **Date of Reissued Patent: Jun. 30, 2020**

(54) **SYSTEM FOR CONTAINING A LOAD ON AN OPEN BED**

(71) Applicant: **1892575 ALBERTA LTD.**, Whitecourt (CA)

(72) Inventors: **Floyd K. Clow**, Whitecourt (CA);  
**Darwin James Sanborn**, Mayerthorpe (CA)

(21) Appl. No.: **16/214,175**

(22) Filed: **Dec. 10, 2018**

2,831,588 A \* 4/1958 Seed ..... B60P 1/6436  
414/341  
3,048,366 A \* 8/1962 Williamson ..... B62B 3/0618  
254/5 C  
3,313,429 A \* 4/1967 Cole ..... B65G 67/20  
414/392  
4,163,425 A 8/1979 Bedard  
4,486,132 A \* 12/1984 Schulz ..... B60P 7/13  
108/55.1  
4,784,547 A \* 11/1988 Prinz ..... B60P 7/0892  
410/153  
4,954,029 A \* 9/1990 Durkin ..... B60P 7/13  
292/143  
5,094,485 A \* 3/1992 Lycett ..... B60P 7/13  
292/143

**Related U.S. Patent Documents**

Reissue of:

(64) Patent No.: **9,527,422**  
Issued: **Dec. 27, 2016**  
Appl. No.: **14/836,158**  
Filed: **Aug. 26, 2015**

(51) **Int. Cl.**  
**B60P 1/02** (2006.01)  
**B61D 45/00** (2006.01)  
**B60P 7/135** (2006.01)

(52) **U.S. Cl.**  
CPC ..... **B60P 1/02** (2013.01); **B60P 7/135**  
(2013.01); **B61D 45/00** (2013.01)

(58) **Field of Classification Search**  
CPC ..... B60P 1/02; B60P 7/0892  
USPC ..... 254/5 R, 5 B, 5 C; 410/47, 49, 54, 94,  
410/95, 107, 111, 121; 296/26.04, 26.05  
See application file for complete search history.

(56) **References Cited**

**U.S. PATENT DOCUMENTS**

1,498,763 A \* 6/1924 Sunde ..... B61D 3/08  
105/387  
2,021,503 A 11/1935 Fildes ..... B60P 7/13  
410/72

(Continued)

**FOREIGN PATENT DOCUMENTS**

CA 1066561 11/1979  
CA 2048791 A1 10/1992

(Continued)

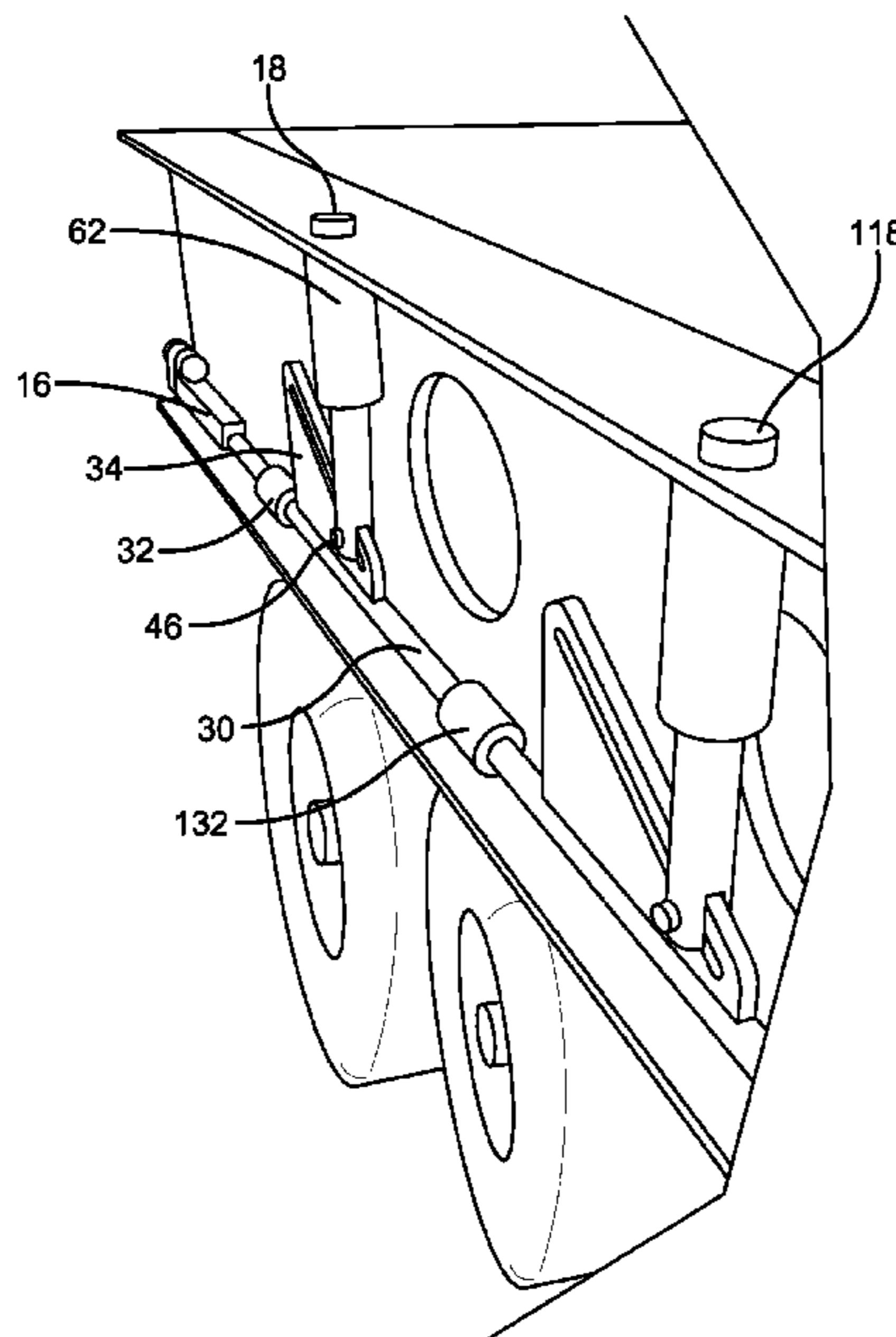
*Primary Examiner* — Russell D Stormer

(74) *Attorney, Agent, or Firm* — Black, McCuskey,  
Souers & Arbaugh LPA

(57) **ABSTRACT**

A trailer can include an open bed, a frame, an actuator, and a pin. The open bed can extend a width and a length. The frame can support the open bed. The actuator can be mounted on the frame. The pin can be mounted on the frame along a periphery of the open bed. The pin can be drivable by the actuator in reciprocating movement transverse to the length between a first pin end limit of travel defining a [refracted] *retracted* position and a second pin end limit of travel defining an extended position. The pin can be recessed from the open bed when in the retracted position and extend above the open bed when in the extended position.

**16 Claims, 8 Drawing Sheets**



(56)

References Cited

U.S. PATENT DOCUMENTS

5,156,506 A 10/1992 Bailey  
5,791,844 A 8/1998 Anderson  
5,931,617 A \* 8/1999 Kroll ..... B60P 7/132  
410/72  
5,954,465 A 9/1999 Ellerbush  
6,030,158 A 2/2000 Tatina et al.  
7,189,041 B1 3/2007 Powell ..... B60P 1/02  
410/121  
7,396,069 B2 7/2008 Oliver  
8,061,953 B2 \* 11/2011 Stoeckl ..... B60R 5/04  
224/281  
8,152,425 B2 4/2012 Hazen  
8,322,957 B1 12/2012 Pennisi  
2005/0042055 A1 2/2005 Weir  
2006/0280574 A1 \* 12/2006 Becker ..... B60P 7/0892  
410/94  
2007/0116535 A1 \* 5/2007 Becker ..... B60P 7/0892  
410/94  
2015/0367769 A1 \* 12/2015 Gift ..... B60P 7/06  
296/43

FOREIGN PATENT DOCUMENTS

CA 2809530 A1 9/2013  
DE EP 0042563 A1 \* 12/1981 ..... B60P 7/13  
GB 1199594 A \* 7/1970 ..... B60P 7/132

\* cited by examiner

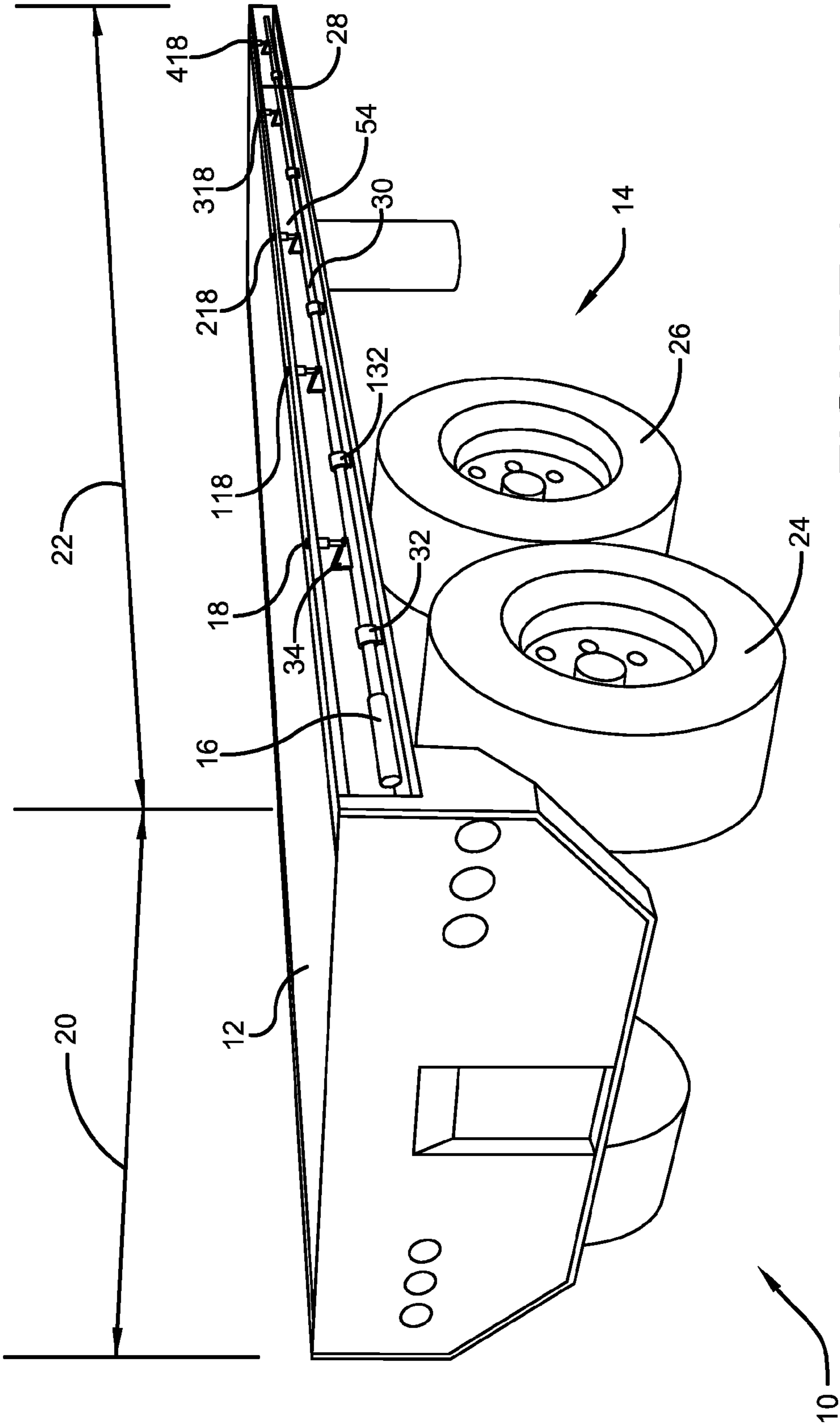


FIGURE 1

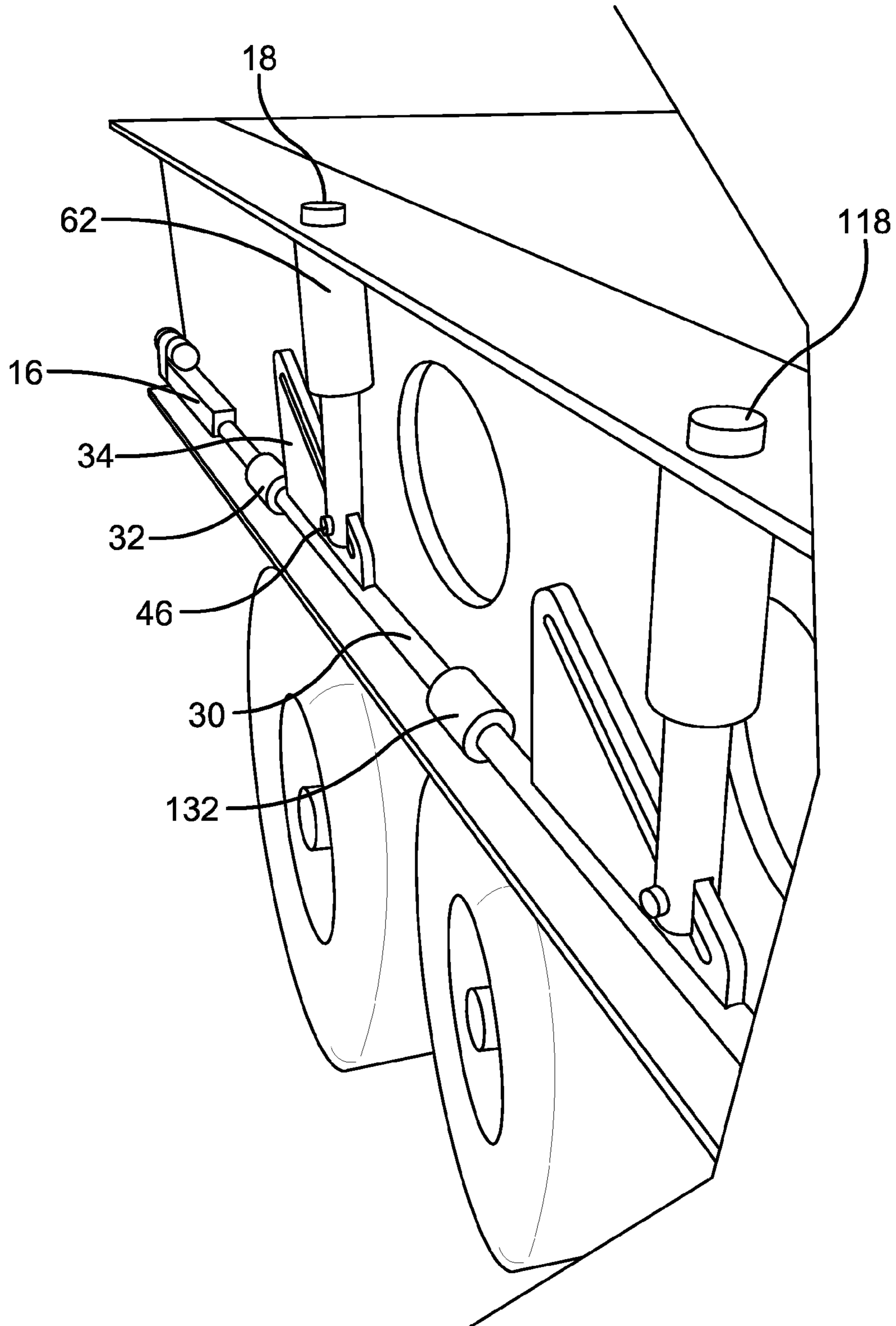


FIGURE 2

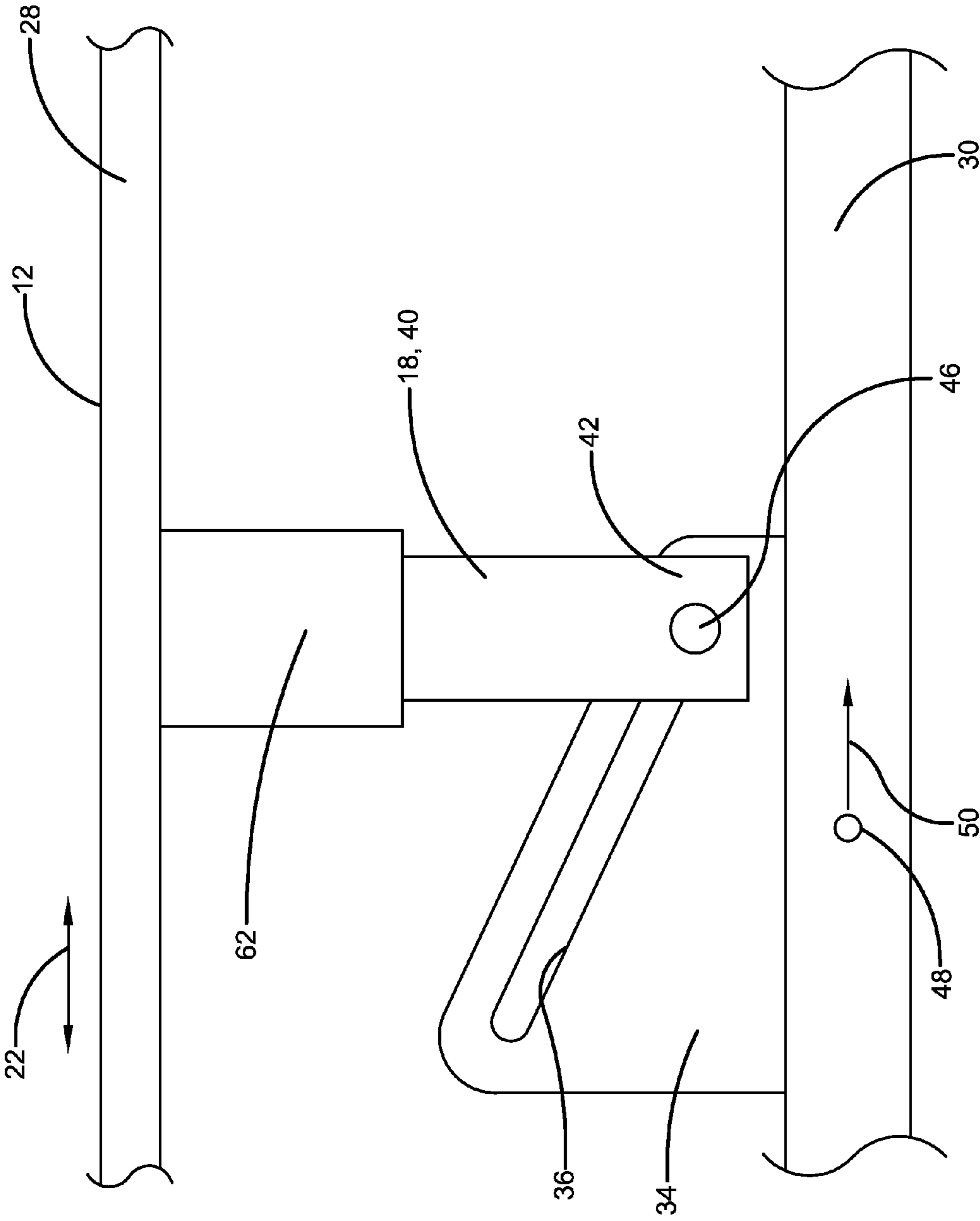


FIGURE 3

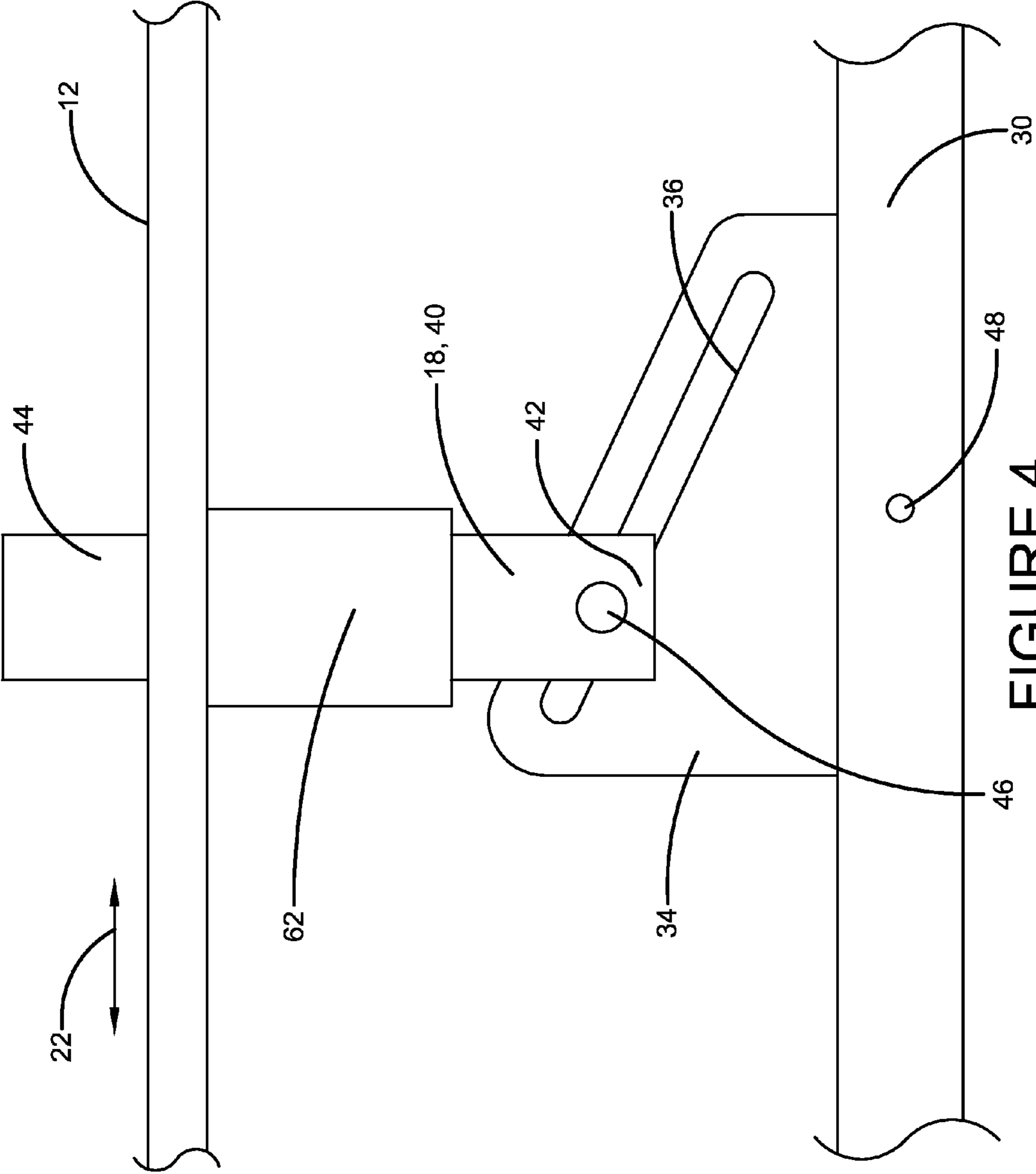


FIGURE 4



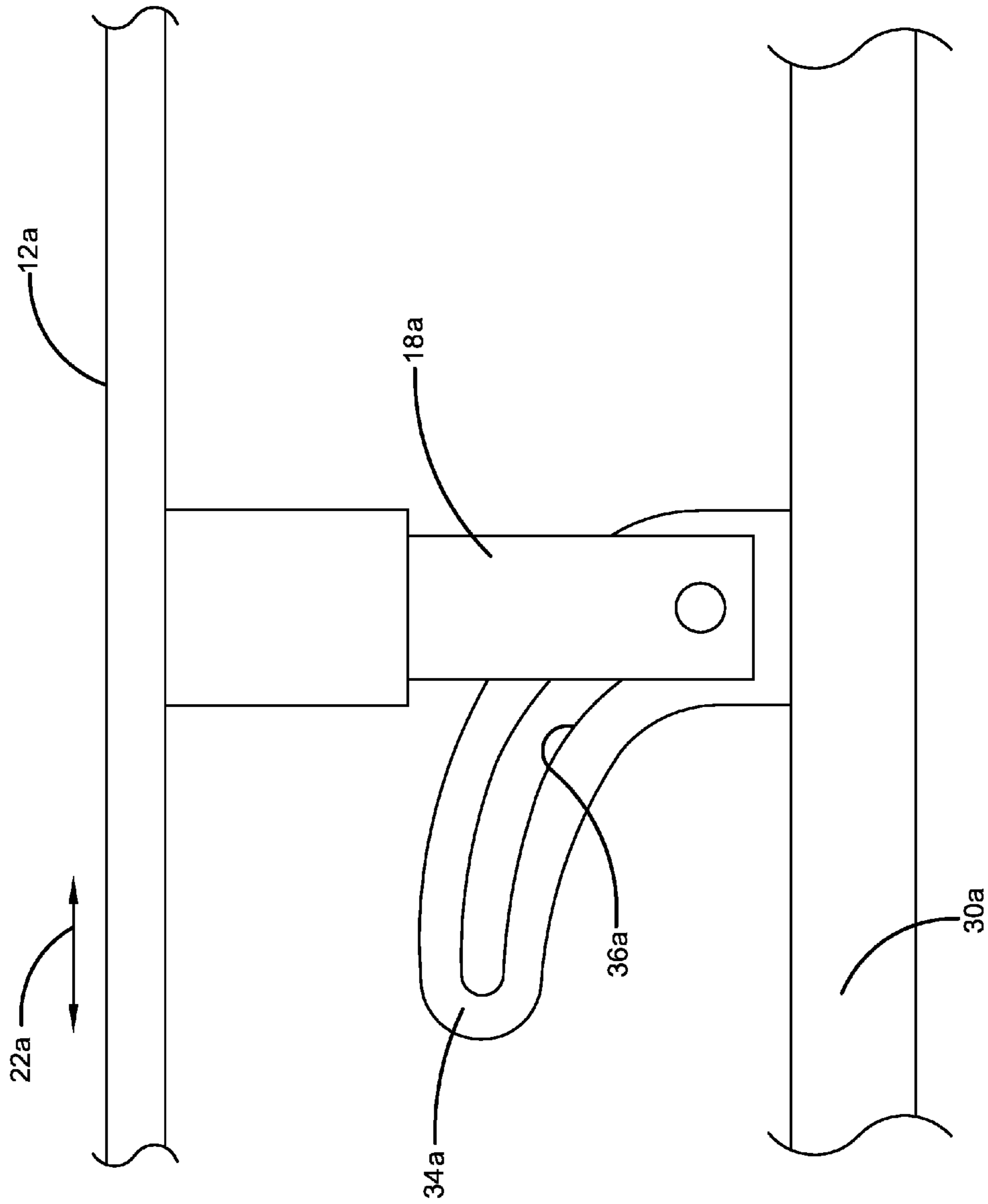


FIGURE 5

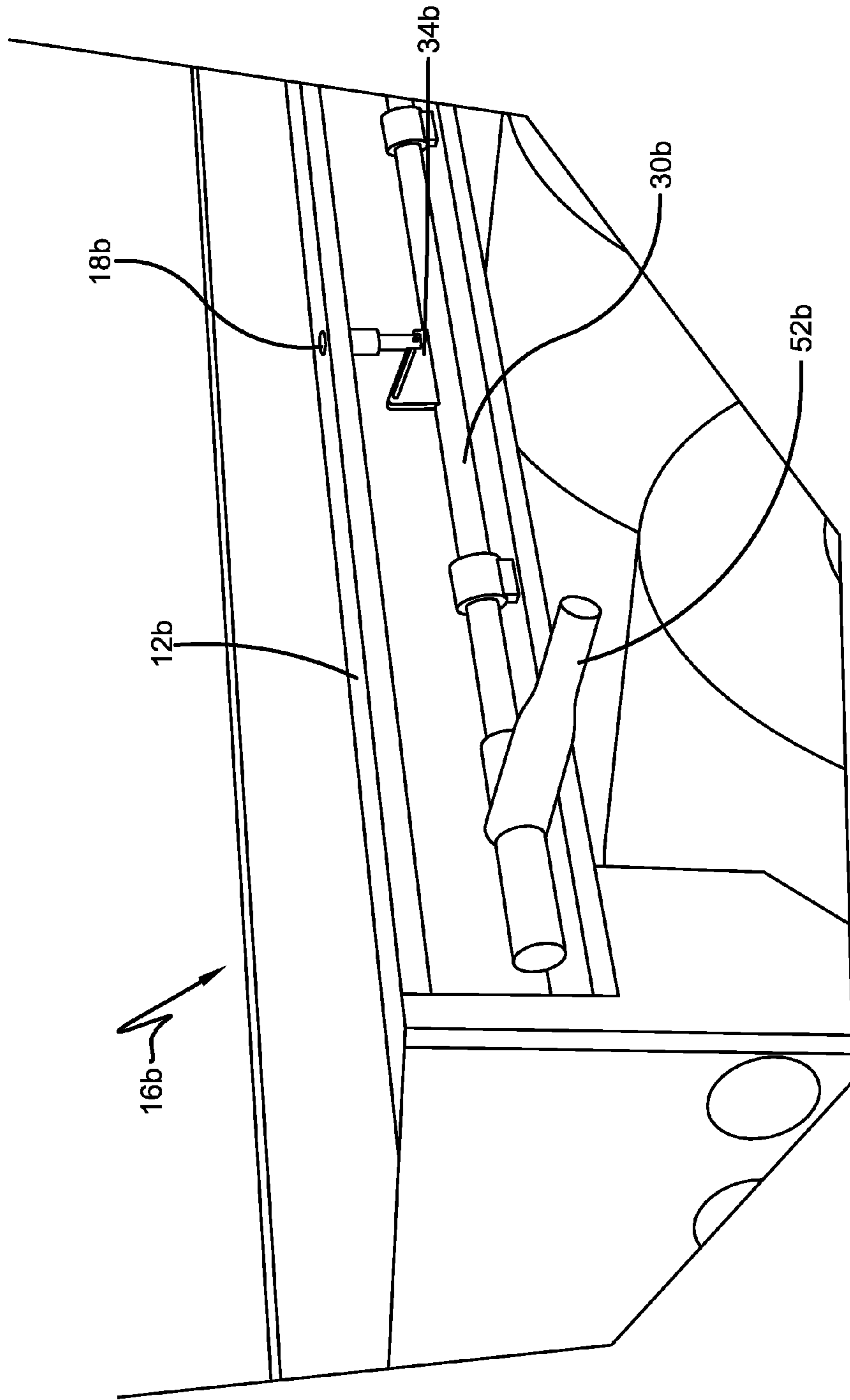


FIGURE 6



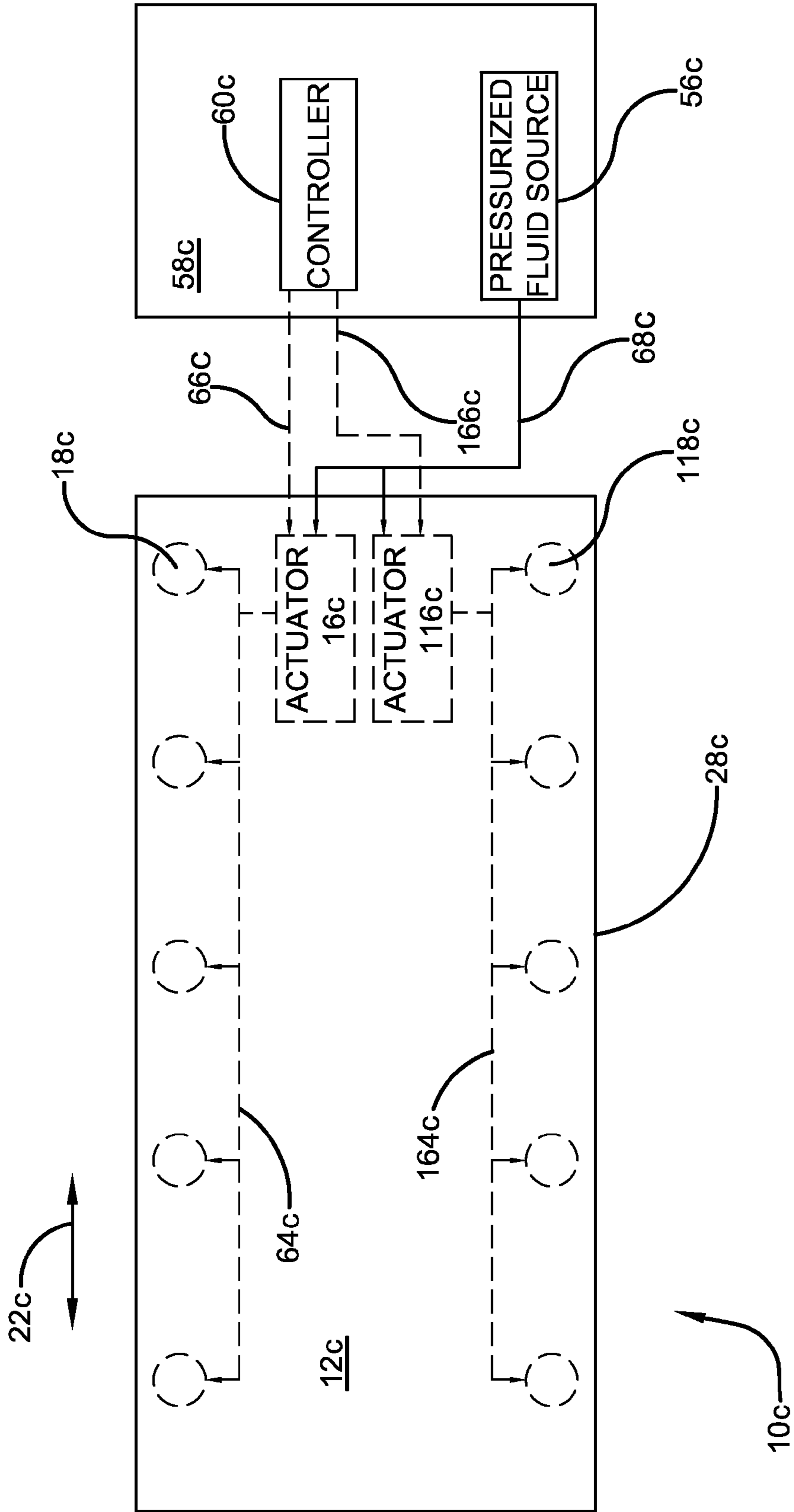


FIGURE 7

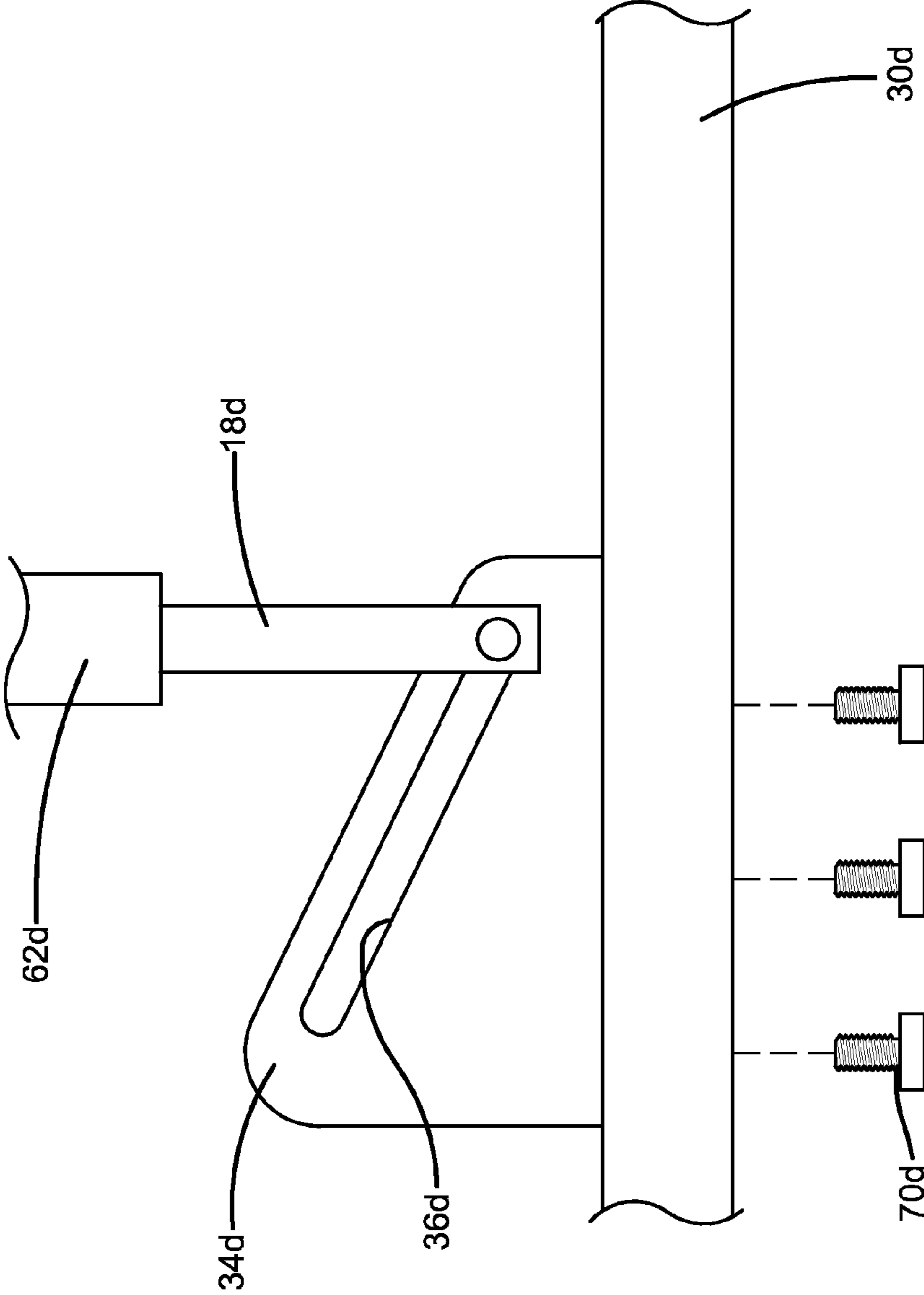


FIGURE 8

## SYSTEM FOR CONTAINING A LOAD ON AN OPEN BED

**Matter enclosed in heavy brackets [ ] appears in the original patent but forms no part of this reissue specification; matter printed in italics indicates the additions made by reissue; a claim printed with strikethrough indicates that the claim was canceled, disclaimed, or held invalid by a prior post-patent action or proceeding.**

### BACKGROUND

#### 1. Field

The present disclosure relates to relates generally to flatbed or open bed trailers and more specifically to a system for containing a load on the open bed.

#### 2. Description of Related Prior Art

U.S. Pat. No. 7,189,041 discloses a RETRACTABLE LOAD SUPPORT SYSTEM. The retractable load support system is for selectively raising a load from the bed of a trailer for allowing the usage of a forklift for loading and unloading the load. The retractable load support system includes a trailer having a bed, a plurality of openings within the bed, a plurality of supports extendable through the openings, a plurality of support members attached to the supports, and at least one actuator attached to the trailer and the support members for selectively lowering and raising the plurality of supports. A locking bar is extendable through locking apertures within the support members and a support frame of the trailer for locking the supports in a raised position.

The background description provided herein is for the purpose of generally presenting the context of the disclosure. Work of the presently named inventors, to the extent it is described in this background section, as well as aspects of the description that may not otherwise qualify as prior art at the time of filing, are neither expressly nor impliedly admitted as prior art against the present disclosure.

### SUMMARY

A trailer can include an open bed, a frame, an actuator, and a pin. The open bed can extend a width and a length. The frame can support the open bed. The actuator can be mounted on the frame. The pin can be mounted on the frame along a periphery of the open bed. The pin can be drivable by the actuator in reciprocating movement transverse to the length between a first pin end limit of travel defining a [retracted] *retracted* position and a second pin end limit of travel defining an extended position. The pin can be recessed from the open bed when in the retracted position and extend above the open bed when in the extended position.

### BRIEF DESCRIPTION OF THE DRAWINGS

The detailed description set forth below references the following drawings:

FIG. 1 is a first perspective view of an exemplary embodiment of the present disclosure;

FIG. 2 is a second perspective view of the exemplary embodiment of the present disclosure illustrated in FIG. 1;

FIG. 3 is a partial side view of an exemplary embodiment of the present disclosure wherein a pin is shown in a retracted position;

FIG. 4 is a partial side view of an exemplary embodiment of the present disclosure wherein a pin is shown in an extended position;

FIG. 5 is a partial side view of an exemplary embodiment of the present disclosure wherein a pin is shown in a retracted position;

FIG. 6 is a partial perspective view of an exemplary embodiment of the present disclosure;

FIG. 7 is a schematic view of an exemplary embodiment of the present disclosure; and

FIG. 8 is a partial side view of an exemplary embodiment of the present disclosure.

### DETAILED DESCRIPTION

A plurality of different embodiments of the present disclosure is shown in the Figures of the application. Similar features are shown in the various embodiments of the present disclosure. Similar features across different embodiments have been numbered with a common reference numeral and have been differentiated by an alphabetic suffix. Similar features in a particular embodiment have been numbered with a common two-digit, base reference numeral and have been differentiated by a different leading numeral. Also, to enhance consistency, the structures in any particular drawing share the same alphabetic suffix even if a particular feature is shown in less than all embodiments. Similar features are structured similarly, operate similarly, and/or have the same function unless otherwise indicated by the drawings or this specification. Furthermore, particular features of one embodiment can replace corresponding features in another embodiment or can supplement other embodiments unless otherwise indicated by the drawings or this specification.

A trailer **10** [can include] *is a system for containing a load on an open bed and includes* an open bed **12**, a frame **14**, an actuator **16**, and a pin **18**. The open bed **12** can extend a width (referenced at **20**) and a length (referenced at **22**). The frame **14** can support the open bed **12**. Wheels, such as wheels **24** and **26**, can be mounted to the frame **14** to allow the trailer **10** to be moved. The trailer **10** can be utilized as an oilfield float trailer.

The actuator **16** can be mounted on the frame **14**. The pin **18** can be mounted on the frame **14** along a periphery **28** of the open bed **12**. The trailer **10** can include a plurality of pins, including pin **18** as well as pins **118**, **218**, **318** and **418**. Each of the pins **18-418** can be drivable by the actuator **16** in reciprocating movement transverse to the length **22** between a first pin end limit of travel defining a retracted position and a second pin end limit of travel defining an extended position. Each of the pins **18-418** can be recessed from the open bed **12** when in the retracted position and extend above the open bed **12** when in the extended position.

A rod **30** can be operably disposed between the actuator **16** and the pins **18-418**. The rod **30** can be drivable in reciprocating rectilinear movement along at least a portion of the length **22** by the actuator **16** between a first rod end limit of travel and a second rod end limit of travel. The rod **30** can be guided and supported in motion by one or more sleeves, such as sleeves **32** and **132**, disposed along the length **22**.

A cam, such as cam **34**, can be mounted on the rod **30** and can be disposed in slidable engagement with the pin **18** to move the pin **18** between the first and second pin end limits of travel. The exemplary embodiment of the present disclosure can include a plurality of cams mounted on the rod **30**. Each cam can be disposed in slidable engagement with one



3

of the plurality of pins **18-418** to concurrently move each the plurality of pins **18-418** between respective the first and second pin end limits of travel. The rod **30** can thus extend greater than half of the length **22** to engage all of the pins **18-418**.

Referring now to FIGS. **4** and **5**, the exemplary cam **34** can be a generally triangular plate extending away from the rod **30** in a direction transverse to the length **22**. The cam **34** can define a sliding surface **36** engaging the pin **18**. The sliding surface **36** can be defined by a closed slot **38**. The exemplary sliding surface **36** engaging the pin **18** can be straight. The rate of movement transfer between the cam **34** and the pin **18** can therefore be linear.

The exemplary pin **18** can be guided and supported in movement by a sleeve **62** mounted to the frame **14**. The exemplary pin **18** can include a first shaft portion **40** extending vertically between a base end **42** and a distal end **44**. The distal end **44** can be recessed from or flush with the open bed **12** when the pin **18** is in the retracted position. The distal end **44** can be positioned above the open bed **12** when the pin **18** is in the extended position, as shown in FIG. **4**.

The exemplary pin **18** can also include a second shaft portion **46** extending transverse to the first shaft portion **40**. The exemplary second shaft portion **46** can be a cross-pin passing through a yoke defined by the base end **42**, as best shown in FIG. **2**. The second shaft portion **46** can be rotatable relative to the first shaft portion **40** and ride along the sliding surface **36**.

FIG. **3** is a partial side view of an exemplary embodiment of the present disclosure wherein the pin **18** is shown in the retracted position and FIG. **4** is a partial side view of an exemplary embodiment of the present disclosure wherein the pin **18** is shown in the extended position. A reference point **48** has been illustrated in FIGS. **3** and **4**. The reference point **48** is a fixed point on the rod **30**. When the pin **18** is the [refracted] *retracted* position, as shown in FIG. **3**, the rod **30** can be moved in the direction referenced at **50**, along the length **22**. As the rod **30** is moved in the direction **50**, the second shaft portion **46** can ride up the sliding surface **36**. Further, the second shaft portion **46** can urge the first shaft portion **40** upwardly. When the rod **30** has moved a predetermined amount (as illustrated by the relative positions of the reference point **48** in FIGS. **3** and **4**), the pin **18** will have moved from the retracted position to the extended position. When the rod **30** has moved the predetermined amount in a direction opposite to direction **50** (as illustrated by the relative positions of the reference point **48** in FIGS. **4** and **3**), the pin **18** will have moved from the extended position to the retracted position.

FIG. **5** illustrates another exemplary embodiment of the present disclosure. A rod **30a** can drive a cam **34a** to drive a pin **18a** between a retracted position (illustrated) and an extended position in which the pin **18a** extends above an open bed **12a**. The rod **30a** can move along a length **22a** of the open bed **18a**. The cam **34a** can define a sliding surface **36a**. The cam **34a** can be an arcuate plate. The sliding surface **36a** can be arcuate. The rate of movement transfer between the cam **34a** and the pin **18a** can therefore be variable.

In FIGS. **1** and **2**, the exemplary actuator **16** can include an electronic motor with appropriate gearing to convert rotation to rectilinear movement. Alternatively, the actuator **16** can be a cylinder, such as hydraulic cylinders or pneumatic cylinders. FIG. **6** illustrates another exemplary embodiment of the present disclosure. The actuator **16b** can be a purely mechanical arrangement. The actuator **16b** can include a lever **52b**. The lever **52b** can be engageable with

4

gears of the actuator **16b**. Cranking of the lever **16b** by a user can result in rectilinear movement of a rod **30b** to move a cam **34b**, to drive a pin **18b** between an extended position and a [refracted] *retracted* position relative to an open bed **12b**.

It is noted that the actuator **16**, rod **30**, sleeves **32**, **132**, and cam **34** are shown exposed in FIGS. **1** and **2**, but can be enclosed within the frame **12** in one or more embodiments of the present disclosure. The actuator **16**, rod **30**, sleeves **32**, **132**, and cam **34** are shown disposed in a pocket **54** defined by the frame **14** in FIGS. **1** and **2**. One or more panels can be releasibly engaged with the frame **14** to shield the actuator **16**, rod **30**, sleeves **32**, **132**, and cam **34**.

FIG. **7** schematically illustrates another exemplary embodiment of the present disclosure. A trailer **10a** can include an open bed **12** supported by a frame (not visible). A first actuator **16c** can be mounted on a first side of the frame. A second actuator **116c** can be mounted on a second side of the frame. A first plurality of pins such as pin **18c** can each be mounted on the first side of the frame along a periphery **28a** of the open bed **12a** and be drivable by the first actuator **16c** in reciprocating movement transverse to a length **22c** between a first end limit of travel defining a retracted position and a second end limit of travel defining an extended position. A second plurality of pins such as pin **118c** can each be mounted on the second side of the frame along the periphery **28a** of the open bed **12a** and be drivable by the second actuator **116c** in reciprocating movement transverse to the length **22c** between a first pin end limit of travel defining a retracted position and a second pin end limit of travel defining an extended position.

The exemplary actuators **16c**, **116c** can be electronically-controlled valves and be connected to a source of pressurized fluid **56c**. The source of pressurized fluid **56c** can be associated with a tractor/truck **58c** operable to pull the trailer **10c**. A controller **60c** can be operable to control both of the first and second actuators **16c**, **116c**. The controller **60c** can be positioned in the tractor **58c** to be operated by a driver of the tractor **58c**. The driver can operate the controller **60c** through a button, a switch, a knob, through voice commands, or some other modality. The controller **60c** can control one or both of the valve-actuators **16c**, **116c** to open and thereby direct fluid to the pins **18c**, **118c** and the other pins. Lines **64c**, **164c**, and **68** represent fluid lines. Lines **66**, **166c**, represent lines of electrical communication. Each pin can be disposed in a sleeve defining a fluidly sealed chamber. Each pin can thus define a fluid cylinder. The driver can thus control the pins to move to the extended position through the controller **60c**.

FIG. **8** illustrates another exemplary embodiment of the present disclosure. A rod **30d** can drive a cam **34d** to drive a pin **18d** between a retracted position and an extended position. The pin **18d** is guided in motion by a sleeve **62d**. The cam **34d** can define a sliding surface **36d**. The cam **34d** can be selectively engaged, disengaged and re-engaged with the rod **30d**. The cam **34d** can be received in a slot in the rod **30d**. The slot can define a bottom to prevent the cam **34d** from sliding completely through the rod **30d**. Apertures can extend through the rod **30d** to the bottom of the slot. Additional apertures can be defined in the bottom of the cam **34d**. The apertures in the cam **34d** can be threaded. The apertures in the cam **34d** can be aligned with the apertures in the rod **30d**. Threaded fasteners, such as fastener **70d**, can be received in the apertures in the rod **30d** and threadingly engaged the apertures in the cam **34d** to selectively engage the rod **30d** and the cam **34d** together. This allows the cam



5

34d to be replaced with another cam if another pattern of movement of the pin 18d is desired.

While the present disclosure has been described with reference to an exemplary embodiment, it will be understood by those skilled in the art that various changes may be made and equivalents may be substituted for elements thereof without departing from the scope of the present disclosure. In addition, many modifications may be made to adapt a particular situation or material to the teachings of the present disclosure without departing from the essential scope thereof. Therefore, it is intended that the present disclosure not be limited to the particular embodiment disclosed as the best mode contemplated for carrying out this present disclosure, but that the present disclosure will include all embodiments falling within the scope of the appended claims. Further, the "present disclosure" as that term is used in this document is what is claimed in the claims of this document. The right to claim elements and/or sub-combinations that are disclosed herein as other present disclosures in other patent documents is hereby unconditionally reserved.

What is claimed is:

1. A trailer comprising:

an open bed extending a width and a length;

a frame supporting said open bed;

an actuator mounted on said frame;

a pin mounted on said frame along a periphery of said open bed and drivable by said actuator in reciprocating movement transverse to said length between a first pin end limit of travel defining a retracted position and a second pin end limit of travel defining an extended position, wherein said pin is recessed from said open bed when in said [refracted] *retracted* position and extends above said open bed when in said extended position; [and]

a rod operably disposed between said actuator and said pin, said rod drivable in reciprocating rectilinear movement along at least a portion of said length by said actuator between a first rod end limit of travel and a second rod end limit of travel;

*a cam mounted on said rod and disposed in slidable engagement with said pin to move said pin between said first and second pin end limits of travel; and*

*wherein said pin further comprises:*

*a first shaft portion extending vertically between a base end and a distal end wherein said distal end is one of recessed from or flush with said open bed when said pin is in said retracted position and is positioned above said open bed when said pin is in said extended position; and*

*a second shaft portion extending transverse to said first shaft portion.*

[2. The trailer of claim 1 further comprising:

a cam mounted on said rod and disposed in slidable engagement with said pin to move said pin between said first and second pin end limits of travel.]

3. The trailer of claim [2] 1 wherein said cam further comprises an arcuate sliding surface engaging said pin.

4. The trailer of claim [2] 1 wherein said cam further comprises a straight sliding surface engaging said pin.

5. The trailer of claim [2] 1 wherein said cam is further defined as a plate extending away from said rod in a direction transverse to said length.

6. The trailer of claim 5 wherein said plate is further defined as triangular.

7. The trailer of claim 5 wherein said plate is further defined as arcuate.

6

[8. The trailer of claim 2 wherein said pin further comprises:

a first shaft portion extending vertically between a base end and a distal end wherein said distal end is one of recessed from or flush with said open bed when said pin is in said retracted position and is positioned above said open bed when said pin is in said extended position; and

a second shaft portion extending transverse to said first shaft portion.]

9. The trailer of claim [8] 1 wherein said cam further comprises:

a sliding surface engaged with said second shaft portion.

10. The trailer of claim 9 wherein said sliding surface is defined by a closed slot.

11. The trailer of claim [2] 1 wherein said cam is selectively engageable, disengageable, and re-engageable with said rod.

12. The trailer of claim 1 wherein said actuator further comprises:

an electronic motor.

13. The trailer of claim 1 wherein actuator further comprises one of an hydraulic cylinder and a pneumatic cylinder.

14. The trailer of claim 1 wherein said actuator further comprises:

a lever.

15. A trailer comprising:

an open bed extending a width and a length;

a frame supporting said open bed;

an actuator mounted on said frame;

a plurality of pins each mounted on said frame along a periphery of said open bed and drivable by said actuator in reciprocating movement transverse to said length between a first pin end limit of travel defining a [refracted] *retracted* position and a second pin end limit of travel defining an extended position, wherein each of said plurality of pins is recessed from said open bed when in said retracted position and extends above said open bed when in said extended position; [and]

a rod operably disposed between said actuator and all of said plurality of pins, said rod drivable in reciprocating rectilinear movement along at least a portion of said length by said actuator between a first rod end limit of travel and a second rod end limit of travel;

*a plurality of cams mounted on said rod and each disposed in slidable engagement with one of said plurality of pins to concurrently move each said plurality of pins between respective said first and second pin end limits of travel; and*

*wherein at least one of said plurality of pins further comprises:*

*a first shaft portion extending vertically between a base end and a distal end wherein said distal end is one of recessed from or flush with said open bed when said pin is in said retracted position and is positioned above said open bed when said pin is in said extended position; and*

*a second shaft portion extending transverse to said first shaft portion.*

[16. The trailer of claim 15 further comprising:

a plurality of cams mounted on said rod and each disposed in slidable engagement with one of said plurality of pins to concurrently move each said plurality of pins between respective said first and second pin end limits of travel.]

17. The trailer of claim [16] 15 wherein said rod extends greater than half of said length.



7

18. A trailer comprising:  
 an open bed extending a width and a length;  
 a frame supporting said open bed;  
 a first actuator mounted on a first side of said frame;  
 a second actuator mounted on a second side of said frame;  
 a first plurality of pins each mounted on said first side of  
 said frame along a periphery of said open bed and  
 drivable by said first actuator in reciprocating move-  
 ment transverse to said length between a first end limit  
 of travel defining a retracted position and a second end  
 limit of travel defining an extended position, wherein  
 each of said first plurality of pins is recessed from said  
 open bed when in said retracted position and extends  
 above said open bed when in said extended position;  
 a second plurality of pins each mounted on said second  
 side of said frame along said periphery of said open bed  
 and drivable by said second actuator in reciprocating  
 movement transverse to said length between a first pin  
 end limit of travel defining a retracted position and a  
 second pin end limit of travel defining an extended  
 position, wherein each of said second plurality of pins  
 is recessed from said open bed when in said retracted  
 position and extends above said open bed when in said  
 extended position;  
 a first rod operably disposed between said first actuator  
 and all of said first plurality of pins, said first rod  
 drivable in reciprocating rectilinear movement along at  
 least a portion of said length by said first actuator  
 between a first rod first end limit of travel and a first rod  
 second end limit of travel;  
 a second rod operably disposed between said second  
 actuator and all of said second plurality of pins, said  
 second rod drivable in reciprocating rectilinear move-  
 ment along at least a portion of said length by said  
 second actuator between a second rod first end limit of  
 travel and a second rod second end limit of travel;  
 a plurality of cams mounted on said first rod and each  
 disposed in slidable engagement with one of said first  
 plurality of pins to concurrently move each said plu-  
 rality of pins between respective said first and second  
 pin end limits of travel;

8

wherein at least one of said first plurality of pins further  
 comprises:  
 a first shaft portion extending vertically between a base  
 end and a distal end wherein said distal end is one of  
 recessed from or flush with said open bed when said pin  
 is in said retracted position and is positioned above  
 said open bed when said pin is in said extended  
 position; and  
 a second shaft portion extending transverse to said first  
 shaft portion; and  
 a controller controlling both of said first and second  
 actuators.  
 19. A system for containing a load comprising:  
 an open bed extending a width and a length;  
 a frame supporting said open bed;  
 an actuator mounted on said frame;  
 a pin mounted on said frame along a periphery of said  
 open bed and drivable by said actuator in reciprocating  
 movement transverse to said length between a first pin  
 end limit of travel defining a retracted position and a  
 second pin end limit of travel defining an extended  
 position, wherein said pin is recessed from said open  
 bed when in said retracted position and extends above  
 said open bed when in said extended position;  
 a rod operably disposed between said actuator and said  
 pin, said rod drivable in reciprocating rectilinear  
 movement along at least a portion of said length by said  
 actuator between a first rod end limit of travel and a  
 second rod end limit of travel;  
 a cam mounted on said rod and disposed in slidable  
 engagement with said pin to move said pin between  
 said first and second pin end limits of travel;  
 wherein said pin further comprises:  
 a first shaft portion extending vertically between a base  
 end and a distal end wherein said distal end is one of  
 recessed from or flush with said open bed when said pin  
 is in said retracted position and is positioned above  
 said open bed when said pin is in said extended  
 position; and  
 a second shaft portion extending transverse to said first  
 shaft portion.

\* \* \* \* \*