



US00RE48019E

(19) **United States**
(12) **Reissued Patent**
Sancilio et al.

(10) **Patent Number:** **US RE48,019 E**
(45) **Date of Reissued Patent:** **Jun. 2, 2020**

(54) **MOLD FOR A MEDICAL DOSAGE FORM**
(71) Applicant: **TherapeuticsMD, Inc.**, Boca Raton, FL (US)
(72) Inventors: **Frederick D. Sancilio**, Palm Beach Gardens, FL (US); **Thorsteinn Thorsteinsson**, Boynton Beach, FL (US); **Julia M. Amadio**, Boca Raton, FL (US)
(73) Assignee: **TherapeuticsMD, Inc.**, Boca Raton, FL (US)

5,562,255 A * 10/1996 Witko B02C 18/142
241/158
D419,574 S * 1/2000 Bower D15/131
6,299,698 B1 * 10/2001 Emami B08B 1/04
134/6
6,557,202 B1 * 5/2003 Bliven B08B 1/04
15/102
6,684,447 B2 * 2/2004 Mihara B08B 1/04
15/102
D505,434 S * 5/2005 Bordignon D15/136
D622,920 S * 8/2010 Bejtlich, III D32/40
D682,497 S * 5/2013 Wargo D15/138
D707,408 S * 6/2014 Ishibashi D32/25
D707,517 S * 6/2014 Aglassinger D8/62
D772,517 S * 11/2016 Schiltz D34/29
(Continued)

(21) Appl. No.: **29/699,417**
(22) Filed: **Jul. 25, 2019**

Primary Examiner — Philip S Hyder
(74) *Attorney, Agent, or Firm* — Sterne, Kessler, Goldstein & Fox P.L.L.C.

Related U.S. Patent Documents

Reissue of:
(64) Patent No.: **Des. 811,454**
Issued: **Feb. 27, 2018**
Appl. No.: **29/575,454**
Filed: **Aug. 25, 2016**
(51) **LOC (12) Cl.** **15-09**
(52) **U.S. Cl.**
USPC **D15/136**
(58) **Field of Classification Search**
USPC D15/135, 136
CPC B29C 45/33; B29C 45/4421; G01N 13/00;
G01N 33/15; G01N 2013/006; Y10S
425/005; Y10S 425/058
See application file for complete search history.

(57) **CLAIM**

The ornamental design for a mold for a medical dosage form, as shown and described.

DESCRIPTION

FIG. 1 is a perspective view of the mold for a medical dosage form of the instant invention; FIG. 2 is a front view thereof; FIG. 3 is a rear view thereof; FIG. 4 is a right side view thereof; FIG. 5 is a left side view thereof; FIG. 6 is a top plan view thereof; and, FIG. 7 is a bottom plan view thereof. The broken lines shown in the figures (portions of the design shown in broken/dashed lines) are included for the purpose of illustrating environment and form no part of the claimed design.

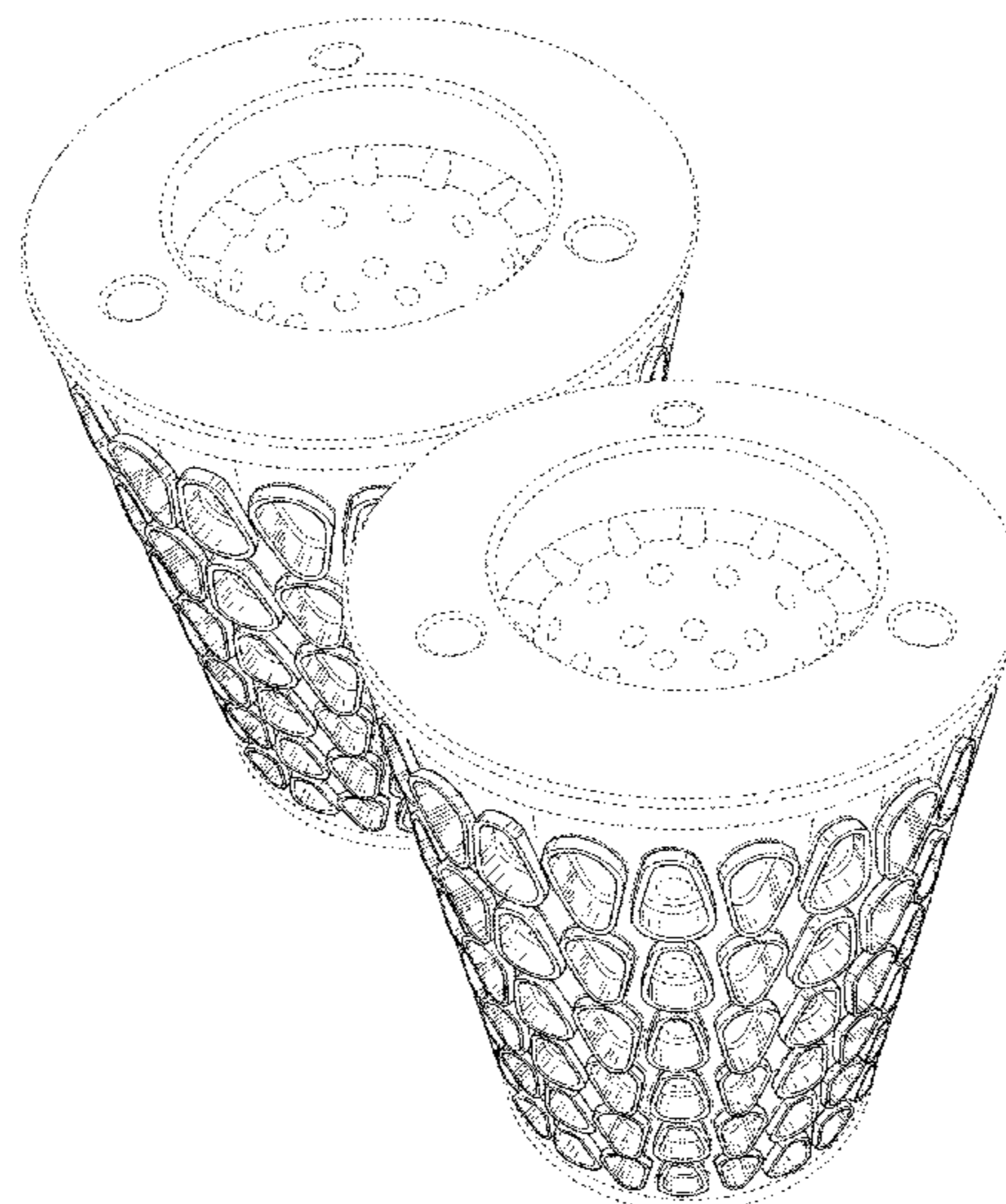
(56) **References Cited**

U.S. PATENT DOCUMENTS

D54,826 S * 4/1920 Bartlett D15/136
D97,216 S * 10/1935 Vernin D15/135
4,105,354 A * 8/1978 Bowman B44B 5/0009
172/540
4,566,911 A * 1/1986 Tomita B08B 1/04
134/6

1 Claim, 7 Drawing Sheets

Matter enclosed in heavy brackets [] appears in the original patent but forms no part of this reissue; matter printed in italics indicates the additions made by reissue.



(56)

References Cited

U.S. PATENT DOCUMENTS

D799,768 S * 10/2017 Ishibashi D32/25
D801,518 S 10/2017 Amadio et al.
2008/0141475 A1* 6/2008 Drury B29C 44/385
15/104.93
2017/0073091 A1* 3/2017 Deutsche B65D 5/68

* cited by examiner

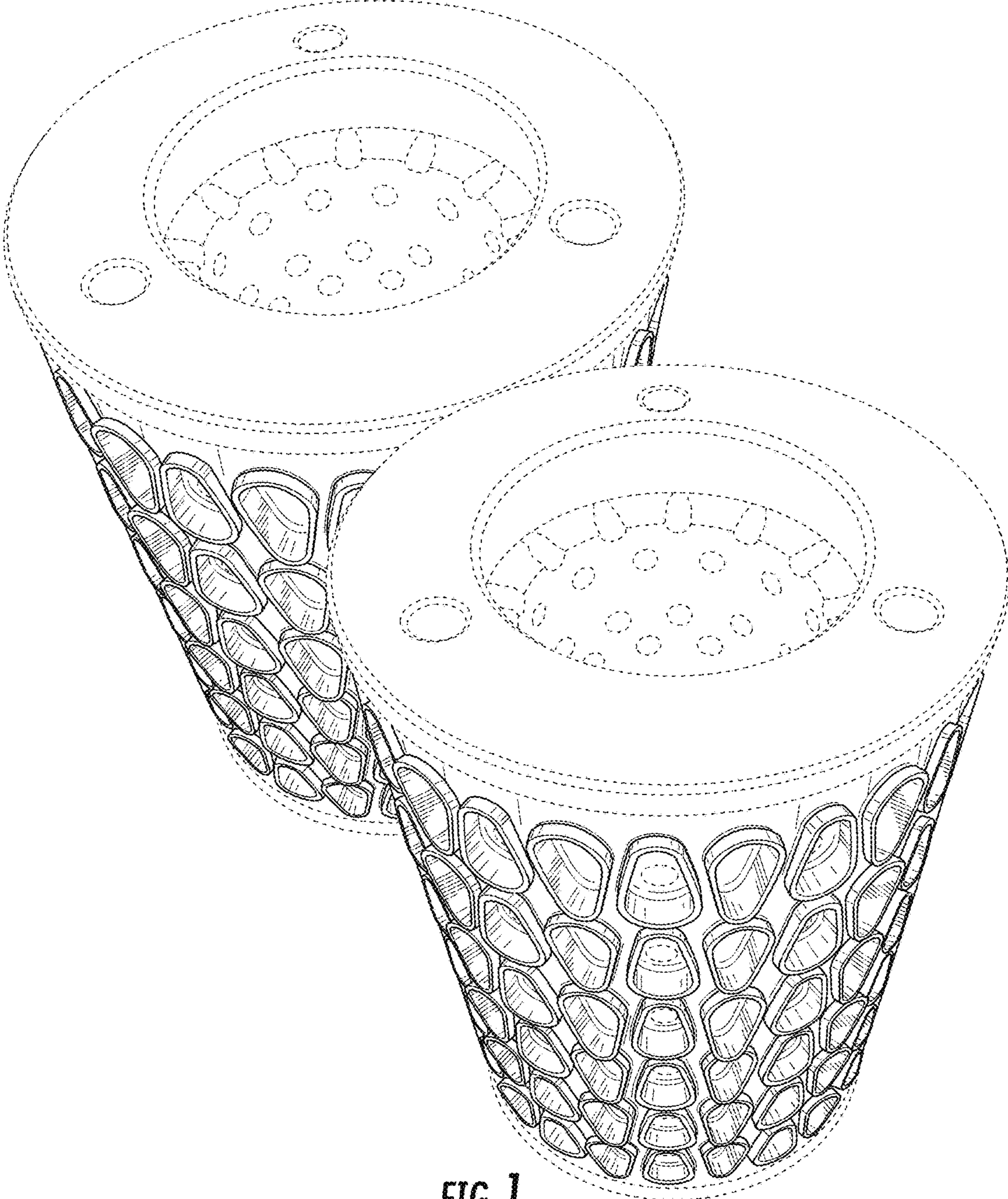


FIG. 1

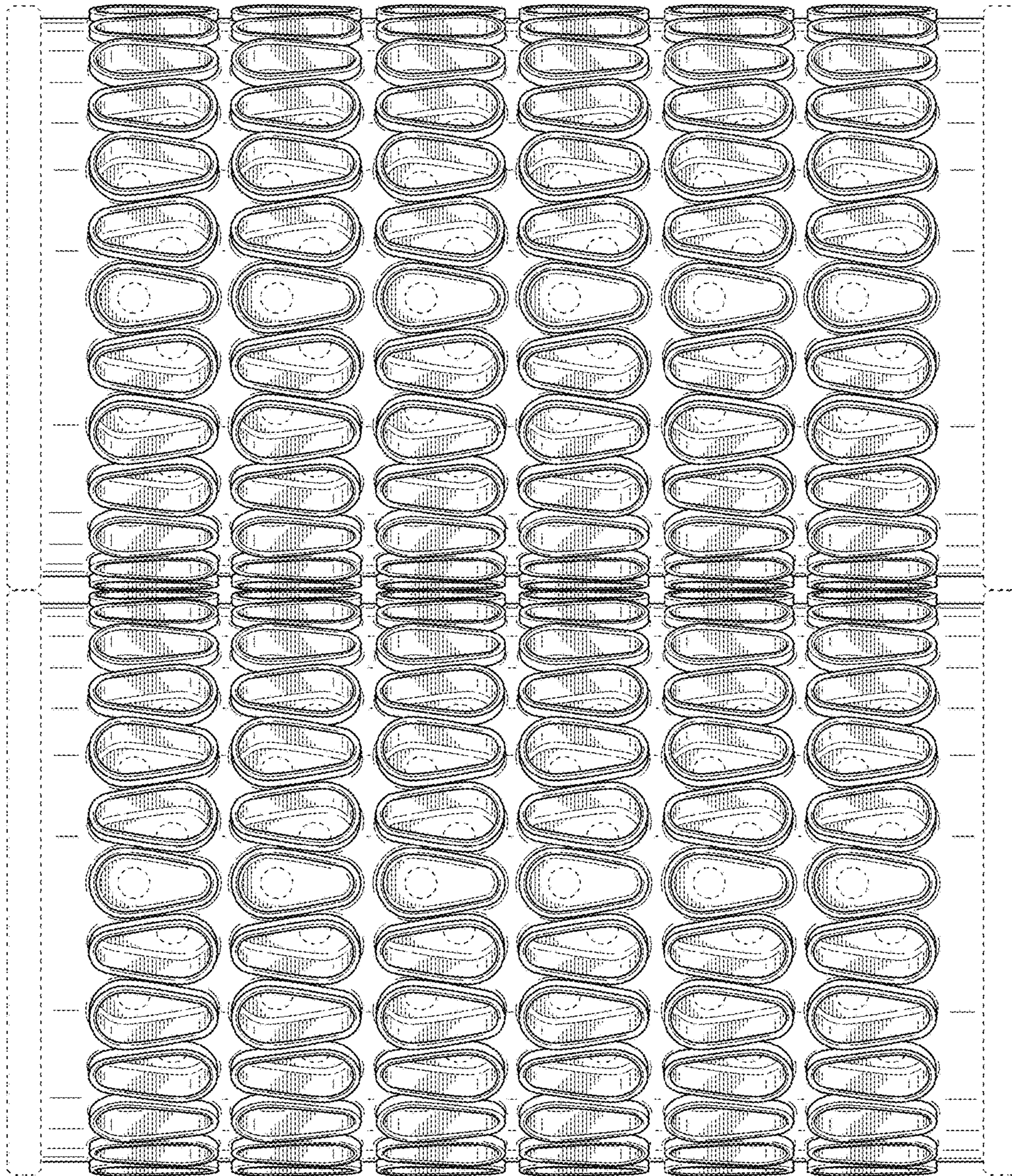


FIG. 2

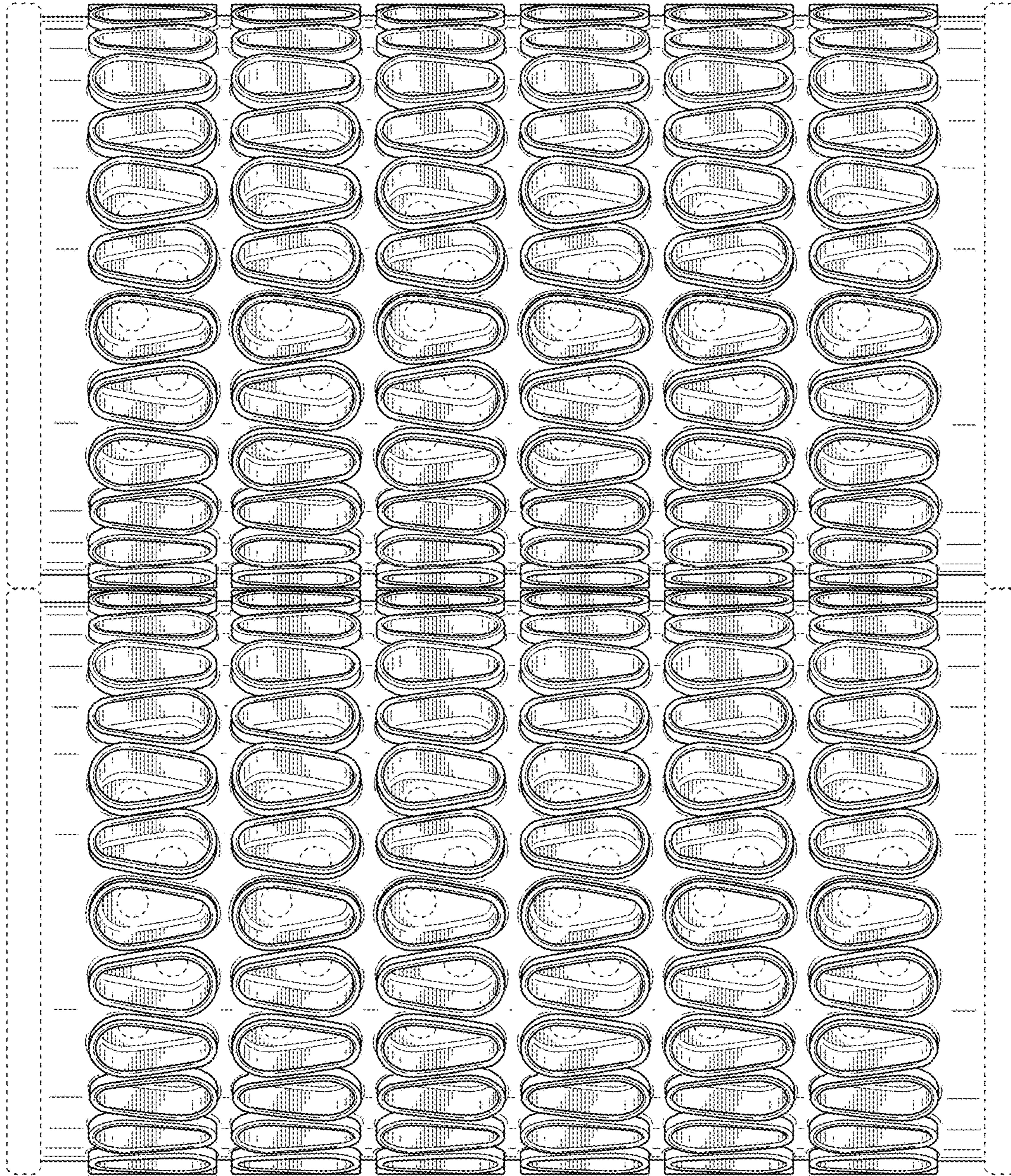


FIG. 3

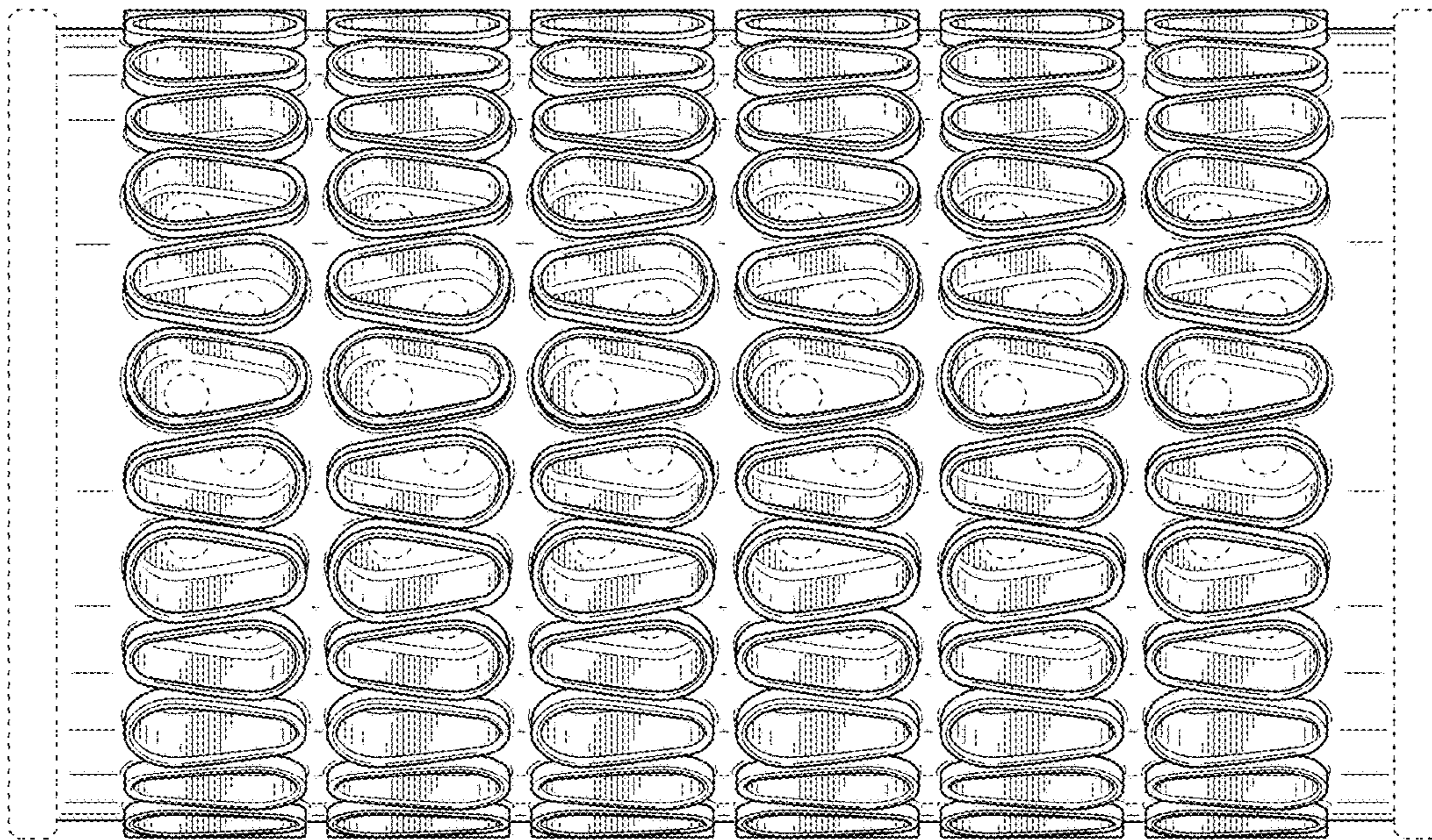


FIG. 4

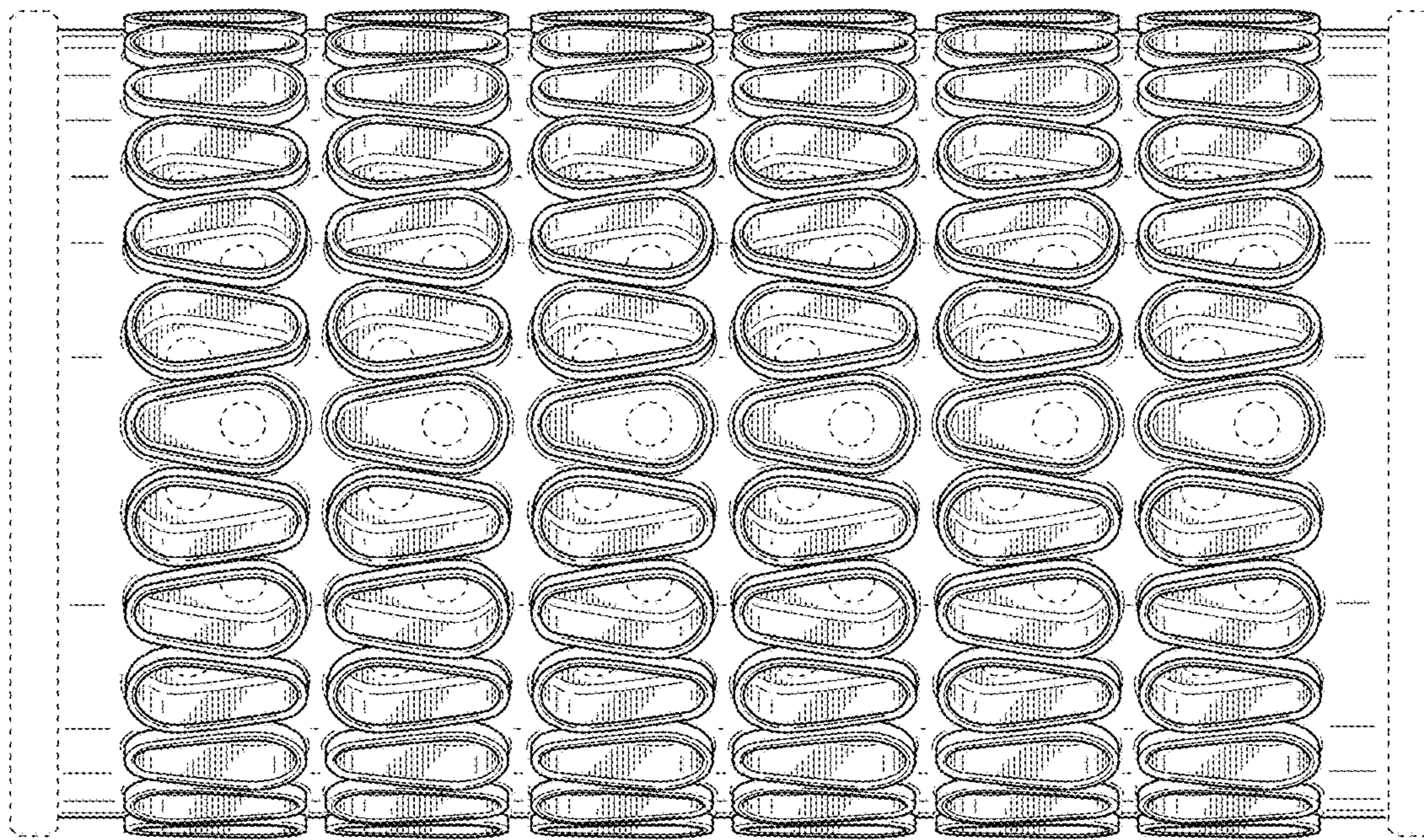


FIG. 5

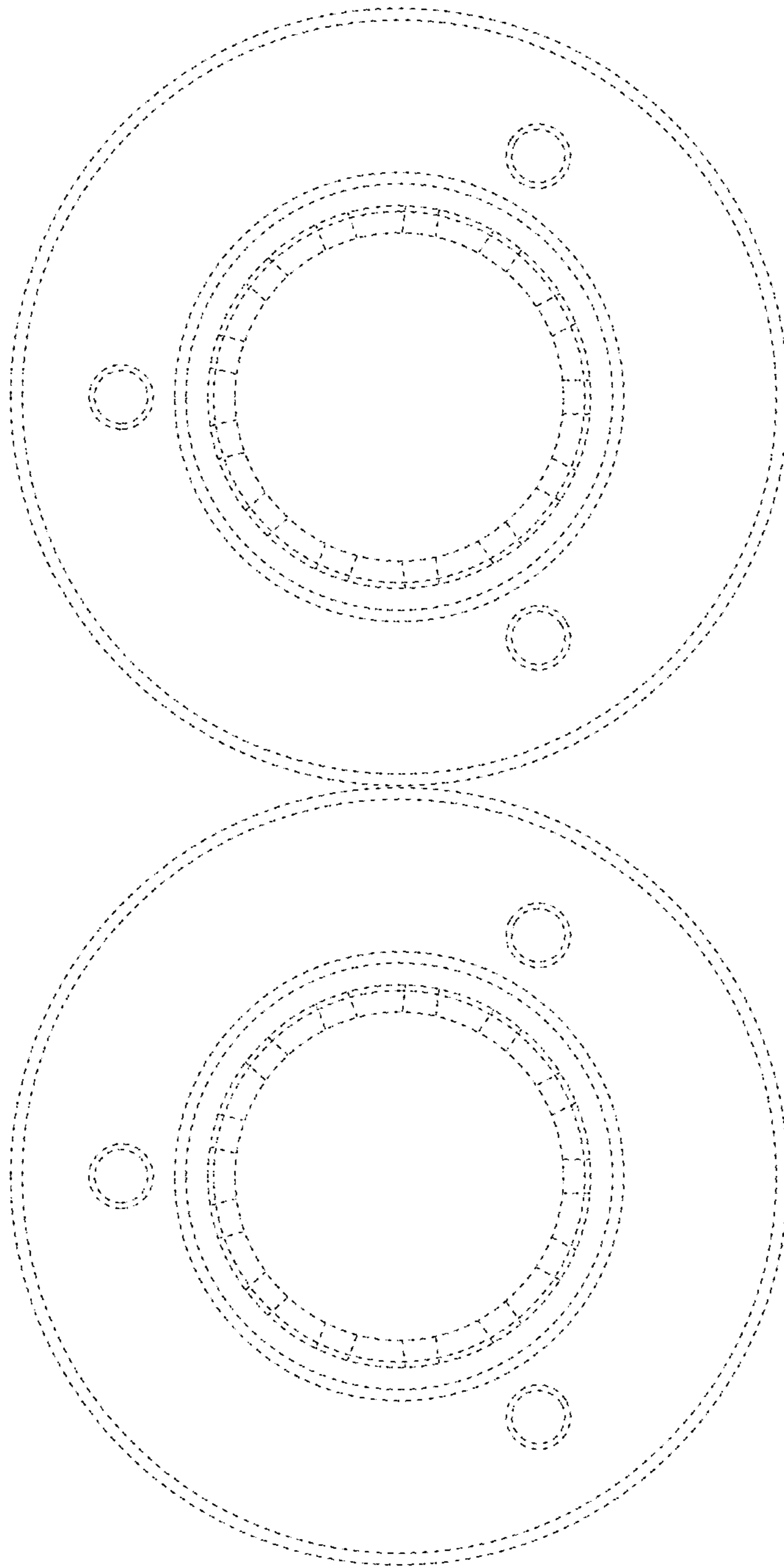


FIG. 6

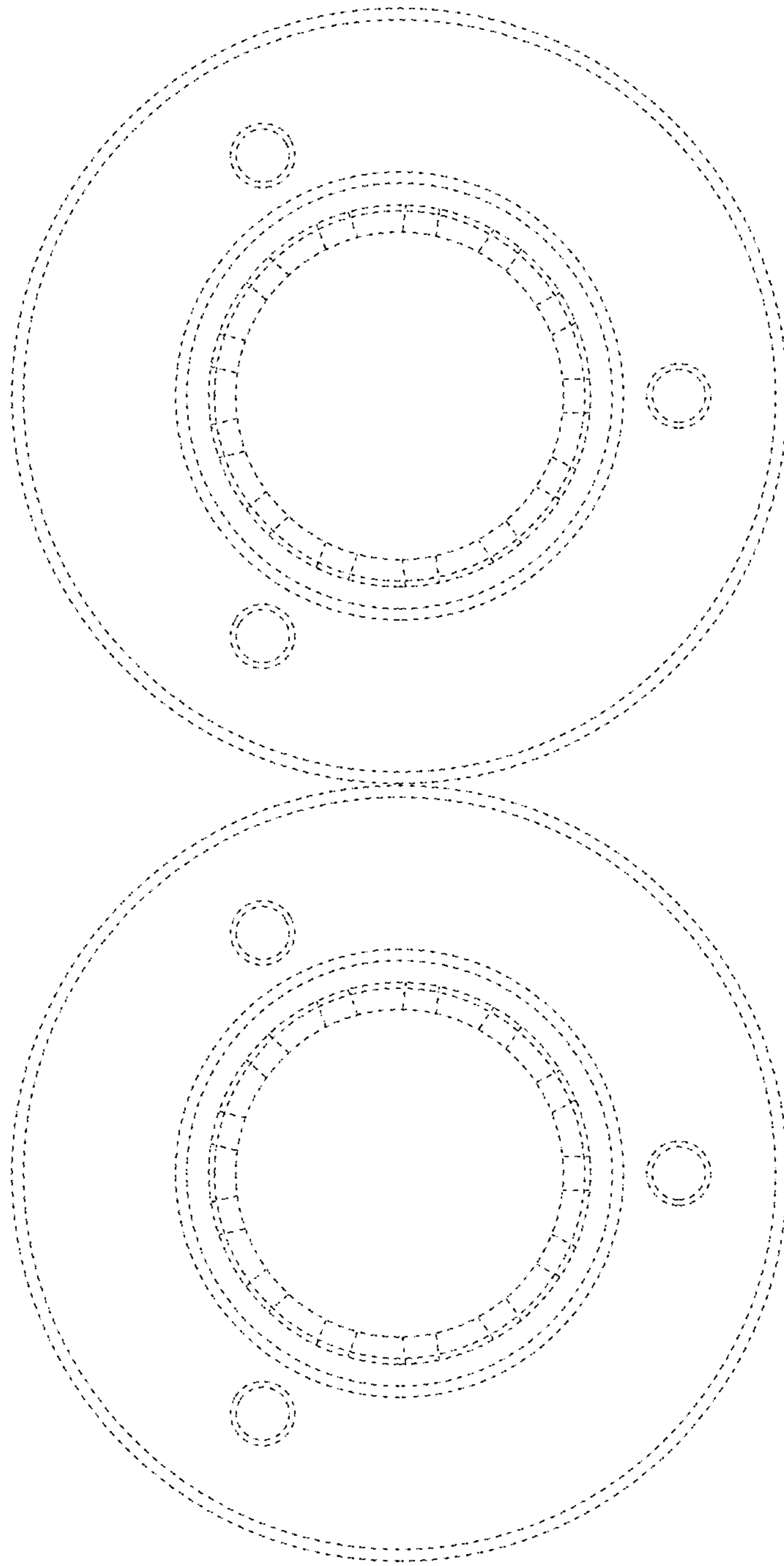


FIG. 7