

US00RE47996E

(19) **United States**  
(12) **Reissued Patent**  
**Turner et al.**

(10) **Patent Number: US RE47,996 E**  
(45) **Date of Reissued Patent: \*May 19, 2020**

(54) **SURGICAL GENERATOR FOR ULTRASONIC AND ELECTROSURGICAL DEVICES**

*A61B 18/1445* (2013.01); *A61B 2017/00154* (2013.01); *A61B 2017/00477* (2013.01); *A61B 2017/00486* (2013.01);

(71) Applicant: **Ethicon LLC**, Guaynabo, PR (US)

(Continued)

(72) Inventors: **Douglas J. Turner**, Cincinnati, OH (US); **Jeffrey L. Aldridge**, Lebanon, OH (US); **Vincent P. Battaglia, Jr.**, Lebanon, OH (US)

(58) **Field of Classification Search**

None  
See application file for complete search history.

(73) Assignee: **Ethicon LLC**, Guaynabo, PR (US)

(56) **References Cited**

(\*) Notice: This patent is subject to a terminal disclaimer.

U.S. PATENT DOCUMENTS

(21) Appl. No.: **15/795,156**

969,528 A 9/1910 Disbrow  
1,570,025 A 1/1926 Young  
(Continued)

(22) Filed: **Oct. 26, 2017**

FOREIGN PATENT DOCUMENTS

**Related U.S. Patent Documents**

AU 2003241752 A1 9/2003  
CA 2535467 A1 4/1993  
(Continued)

Reissue of:

(64) Patent No.: **9,168,054**  
Issued: **Oct. 27, 2015**  
Appl. No.: **13/448,175**  
Filed: **Apr. 16, 2012**

OTHER PUBLICATIONS

U.S. Applications:

(63) Continuation-in-part of application No. 13/251,766, filed on Oct. 3, 2011, now Pat. No. 10,441,345, which (Continued)

Incropera et al., "Fundamentals of Heat and Mass Transfer", Wiley, New York (1990). (Book—not attached).  
(Continued)

(51) **Int. Cl.**  
*A61H 1/00* (2006.01)  
*A61B 17/32* (2006.01)  
(Continued)

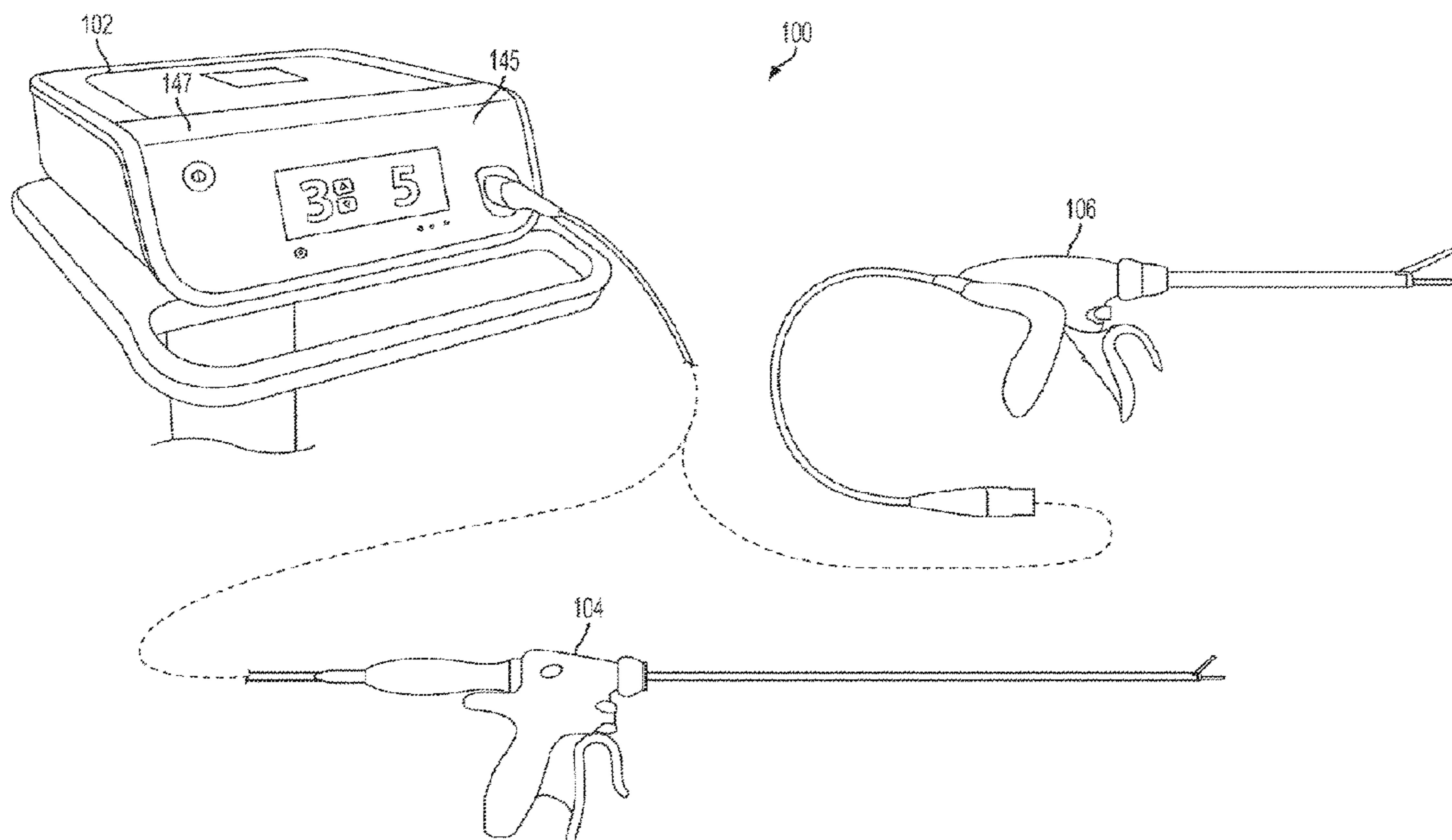
*Primary Examiner* — Robert L Nasser

(52) **U.S. Cl.**  
CPC ..... *A61N 1/08* (2013.01); *A61B 18/1206* (2013.01); *A61N 7/00* (2013.01); *H01H 1/00* (2013.01); *H03M 11/24* (2013.01); *A61B 18/1233* (2013.01); *A61B 18/14* (2013.01);

(57) **ABSTRACT**

A control circuit of a surgical device is disclosed. The control circuit includes a first circuit portion coupled to at least one switch operable between an open state and a closed state. The first circuit portion communicates with a surgical generator over a conductor pair to receive a control signal to determine a state of the at least one switch.

**28 Claims, 77 Drawing Sheets**



**Related U.S. Application Data**

is a continuation-in-part of application No. 12/896,360, filed on Oct. 1, 2010, now Pat. No. 9,060,775.  
 (60) Provisional application No. 61/250,217, filed on Oct. 9, 2009.

(51) **Int. Cl.**

*A61B 18/12* (2006.01)  
*A61B 18/14* (2006.01)  
*A61B 17/00* (2006.01)  
*A61B 17/29* (2006.01)  
*A61B 18/00* (2006.01)  
*A61N 1/08* (2006.01)  
*A61N 7/00* (2006.01)  
*H01H 1/00* (2006.01)  
*H03M 11/24* (2006.01)

(52) **U.S. Cl.**

CPC ..... *A61B 2017/00973* (2013.01); *A61B 2017/2933* (2013.01); *A61B 2017/2934* (2013.01); *A61B 2017/2936* (2013.01); *A61B 2017/320069* (2017.08); *A61B 2017/320093* (2017.08); *A61B 2017/320094* (2017.08); *A61B 2017/320095* (2017.08); *A61B 2018/00178* (2013.01); *A61B 2018/00666* (2013.01); *A61B 2018/00678* (2013.01); *A61B 2018/00714* (2013.01); *A61B 2018/00779* (2013.01); *A61B 2018/00791* (2013.01); *A61B 2018/00875* (2013.01); *A61B 2018/00988* (2013.01); *A61B 2018/00994* (2013.01); *A61B 2018/1273* (2013.01); *H01H 2239/012* (2013.01)

(56) **References Cited**

U.S. PATENT DOCUMENTS

1,813,902 A 7/1931 Bovie  
 2,188,497 A 1/1940 Calva  
 2,425,245 A 8/1947 Johnson  
 2,597,564 A 8/1947 Bugg  
 2,442,966 A 6/1948 Wallace  
 2,704,333 A 3/1955 Calosi et al.  
 2,736,960 A 3/1956 Armstrong  
 2,748,967 A 6/1956 Roach  
 2,845,072 A 7/1958 Shafer  
 2,849,788 A 9/1958 Creek  
 2,874,470 A 2/1959 Richards  
 2,990,616 A 7/1961 Balamuth et al.  
 RE25,033 E 8/1961 Balamuth et al.  
 3,015,961 A 1/1962 Roney  
 3,033,407 A 5/1962 Alfons  
 3,053,124 A 9/1962 Balamuth et al.  
 3,082,805 A 3/1963 Royce  
 3,432,691 A 3/1969 Shoh  
 3,433,226 A 3/1969 Boyd  
 3,489,930 A 1/1970 Shoh  
 3,513,848 A 5/1970 Winston et al.  
 3,514,856 A 6/1970 Camp et al.  
 3,526,219 A 9/1970 Balamuth  
 3,554,198 A 1/1971 Tatoian et al.  
 3,606,682 A 9/1971 Camp et al.  
 3,614,484 A 10/1971 Shoh  
 3,616,375 A 10/1971 Inoue  
 3,629,726 A 12/1971 Popescu  
 3,636,943 A 1/1972 Balamuth  
 3,668,486 A 6/1972 Silver  
 3,702,948 A 11/1972 Balamuth  
 3,776,238 A 12/1973 Peyman et al.  
 3,805,787 A 4/1974 Banko  
 3,809,977 A 5/1974 Balamuth et al.  
 3,830,098 A 8/1974 Antonevich

3,854,737 A 12/1974 Gilliam, Sr.  
 3,862,630 A 1/1975 Balamuth  
 3,875,945 A 4/1975 Friedman  
 3,885,438 A 5/1975 Harris, Sr. et al.  
 3,900,823 A 8/1975 Sokal et al.  
 3,918,442 A 11/1975 Nikolaev et al.  
 3,924,335 A 12/1975 Balamuth et al.  
 3,946,738 A 3/1976 Newton et al.  
 3,955,859 A 5/1976 Stella et al.  
 3,956,826 A 5/1976 Perdreaux, Jr.  
 4,012,647 A 3/1977 Balamuth et al.  
 4,074,719 A 2/1978 Semm  
 4,156,187 A 5/1979 Murry et al.  
 4,167,944 A 9/1979 Banko  
 4,188,927 A 2/1980 Harris  
 4,200,106 A 4/1980 Douvas et al.  
 4,203,444 A 5/1980 Bonnell et al.  
 4,300,083 A 11/1981 Heiges  
 4,302,728 A 11/1981 Nakamura  
 4,306,570 A 12/1981 Matthews  
 4,445,063 A 4/1984 Smith  
 4,491,132 A 1/1985 Aikins  
 4,494,759 A 1/1985 Kieffer  
 4,504,264 A 3/1985 Kelman  
 4,512,344 A 4/1985 Barber  
 4,526,571 A 7/1985 Wuchinich  
 4,541,638 A 9/1985 Ogawa et al.  
 4,545,374 A 10/1985 Jacobson  
 4,574,615 A 3/1986 Bower et al.  
 4,617,927 A 10/1986 Manes  
 4,633,119 A 12/1986 Thompson  
 4,634,420 A 1/1987 Spinosa et al.  
 4,640,279 A 2/1987 Beard  
 4,641,053 A 2/1987 Takeda  
 4,646,738 A 3/1987 Trott  
 4,646,756 A 3/1987 Watmough et al.  
 4,649,919 A 3/1987 Thimsen et al.  
 4,662,068 A 5/1987 Polonsky  
 4,674,502 A 6/1987 Imonti  
 4,708,127 A 11/1987 Abdelghani  
 4,712,722 A 12/1987 Hood et al.  
 4,808,154 A 2/1989 Freeman  
 4,819,635 A 4/1989 Shapiro  
 4,827,911 A 5/1989 Broadwin et al.  
 4,832,683 A 5/1989 Idemoto et al.  
 4,836,186 A 6/1989 Scholz  
 4,838,853 A 6/1989 Parisi  
 4,844,064 A 7/1989 Thimsen et al.  
 4,850,354 A 7/1989 McGurk-Burleson et al.  
 4,852,578 A 8/1989 Companion et al.  
 4,860,745 A 8/1989 Farin et al.  
 4,862,890 A 9/1989 Stasz et al.  
 4,865,159 A 9/1989 Jamison  
 4,867,157 A 9/1989 McGurk-Burleson et al.  
 4,831,550 A 11/1989 Kothe  
 4,878,493 A 11/1989 Pasternak et al.  
 4,896,009 A 1/1990 Pawlowski  
 4,903,696 A 2/1990 Stasz  
 4,915,643 A 4/1990 Samejima et al.  
 4,922,902 A 5/1990 Wuchinich et al.  
 4,965,532 A 10/1990 Sakurai  
 4,979,952 A 12/1990 Kubota et al.  
 4,981,756 A 1/1991 Rhandhawa  
 5,013,956 A 5/1991 Kurozumi et al.  
 5,015,227 A 5/1991 Broadwin et al.  
 5,026,370 A 6/1991 Lottick  
 5,026,387 A 6/1991 Thomas  
 5,035,695 A 7/1991 Weber, Jr. et al.  
 5,042,707 A 8/1991 Taheri  
 5,084,052 A 1/1992 Jacobs  
 5,105,117 A 4/1992 Yamaguchi  
 5,109,819 A 5/1992 Custer et al.  
 5,112,300 A 5/1992 Ureche  
 5,123,903 A 6/1992 Quaid et al.  
 5,126,618 A 6/1992 Takahashi et al.  
 D327,872 S 7/1992 McMills et al.  
 5,152,762 A 10/1992 McElhenney  
 5,162,044 A 11/1992 Gahn et al.  
 5,163,421 A 11/1992 Bernstein et al.



(56)

## References Cited

## U.S. PATENT DOCUMENTS

5,163,537 A	11/1992	Radev	5,471,988 A	12/1995	Fujio et al.
5,167,725 A	12/1992	Clark et al.	5,472,443 A	12/1995	Cordis et al.
5,172,344 A	12/1992	Ehrlich	5,478,003 A	12/1995	Green et al.
5,174,276 A	12/1992	Crockard	5,483,501 A	1/1996	Park et al.
D332,660 S	1/1993	Rawson et al.	5,486,162 A	1/1996	Brumbach
5,176,677 A	1/1993	Wuchinich	5,490,860 A	2/1996	Middle et al.
5,176,695 A	1/1993	Dulebohn	5,500,216 A	3/1996	Julian et al.
5,184,605 A	2/1993	Grzeszykowski	5,501,654 A	3/1996	Bauman
5,188,102 A	2/1993	Idemoto et al.	5,505,693 A	4/1996	Mackool
D334,173 S	3/1993	Liu et al.	5,507,738 A	4/1996	Ciervo
5,209,719 A	5/1993	Baruch et al.	5,527,331 A	6/1996	Kresch et al.
5,213,569 A	5/1993	Davis	5,540,693 A	7/1996	Fisher
5,214,339 A	5/1993	Naito	5,553,675 A	9/1996	Pitzen et al.
5,218,529 A	6/1993	Meyer et al.	5,558,671 A	9/1996	Yates
5,221,282 A	6/1993	Wuchinich	5,562,609 A	10/1996	Brumbach
5,222,937 A	6/1993	Kagawa	5,562,610 A	10/1996	Brumbach
5,226,909 A	7/1993	Evans et al.	5,562,659 A	10/1996	Morris
5,226,910 A	7/1993	Kajiyama et al.	5,573,424 A	11/1996	Poppe
5,241,236 A	8/1993	Sasaki et al.	5,577,654 A	11/1996	Bishop
5,241,968 A	9/1993	Slater	5,591,187 A	1/1997	Dekel
5,242,460 A	9/1993	Klein et al.	5,593,414 A	1/1997	Shipp et al.
5,254,129 A	10/1993	Alexander	5,601,601 A	2/1997	Tal et al.
5,257,988 A	11/1993	L'Esperance, Jr.	5,603,773 A	2/1997	Campbell
5,261,922 A	11/1993	Hood	5,607,436 A	3/1997	Pratt et al.
5,263,957 A	11/1993	Davison	5,609,573 A	3/1997	Sandock
5,264,925 A	11/1993	Shipp et al.	5,618,304 A	4/1997	Hart et al.
5,275,166 A	1/1994	Vaitekunas et al.	5,618,492 A	4/1997	Auten et al.
5,275,607 A	1/1994	Lo et al.	5,620,447 A	4/1997	Smith et al.
5,275,609 A	1/1994	Pingleton et al.	5,626,587 A	5/1997	Bishop et al.
5,282,800 A	2/1994	Foshee et al.	5,626,595 A	5/1997	Sklar et al.
5,282,817 A	2/1994	Hoogeboom et al.	5,628,760 A	5/1997	Knoepfler
5,285,795 A	2/1994	Ryan et al.	5,630,420 A	5/1997	Vaitekunas
5,300,068 A	4/1994	Rosar et al.	5,632,717 A	5/1997	Yoon
5,304,115 A	4/1994	Pflueger et al.	5,640,741 A	6/1997	Yano
D347,474 S	5/1994	Olson	D381,077 S	7/1997	Hunt
5,307,976 A	5/1994	Olson et al.	5,649,937 A	7/1997	Bito et al.
5,312,023 A	5/1994	Green et al.	5,651,780 A	7/1997	Jackson et al.
5,312,425 A	5/1994	Evans et al.	5,653,713 A	8/1997	Michelson
5,322,055 A	6/1994	Davison et al.	5,662,662 A	9/1997	Bishop et al.
5,324,299 A	6/1994	Davison et al.	5,669,922 A	9/1997	Hood
5,326,013 A	7/1994	Green et al.	5,674,235 A	10/1997	Parisi
5,326,342 A	7/1994	Pflueger et al.	5,678,568 A	10/1997	Uchikubo et al.
5,344,420 A	9/1994	Hilal et al.	5,690,269 A	11/1997	Bolanos et al.
5,345,937 A	9/1994	Middleman et al.	5,694,936 A	12/1997	Fujimoto et al.
5,346,502 A	9/1994	Estabrook et al.	5,695,510 A	12/1997	Hood
5,353,474 A	10/1994	Good et al.	5,700,261 A	12/1997	Brinkerhoff
5,357,164 A	10/1994	Imabayashi et al.	5,704,534 A	1/1998	Huitema et al.
5,357,423 A	10/1994	Weaver et al.	5,709,680 A	1/1998	Yates et al.
5,359,994 A	11/1994	Krauter et al.	5,711,472 A	1/1998	Bryan
5,366,466 A	11/1994	Christian et al.	5,713,896 A	2/1998	Nardella
5,368,557 A	11/1994	Nita et al.	5,715,817 A	2/1998	Stevens-Wright et al.
5,370,645 A	12/1994	Klicek et al.	5,717,306 A	2/1998	Shipp
5,371,429 A	12/1994	Manna	5,728,130 A	3/1998	Ishikawa et al.
5,374,813 A	12/1994	Shipp	5,730,752 A	3/1998	Alden et al.
D354,564 S	1/1995	Medema	5,733,074 A	3/1998	Stöck et al.
5,381,067 A	1/1995	Greenstein et al.	5,741,226 A	4/1998	Strukel et al.
5,387,215 A	2/1995	Fisher	5,766,164 A	6/1998	Mueller et al.
5,389,098 A	2/1995	Tsuruta et al.	5,772,659 A	6/1998	Becker et al.
5,394,187 A	2/1995	Shipp	5,776,155 A	7/1998	Beaupre et al.
5,396,266 A	3/1995	Brimhall	5,792,135 A	8/1998	Madhani et al.
5,403,312 A	4/1995	Yates et al.	5,792,138 A	8/1998	Shipp
5,403,334 A	4/1995	Evans et al.	5,792,165 A	8/1998	Klieman et al.
5,408,268 A	4/1995	Shipp	5,797,959 A	8/1998	Castro et al.
D358,887 S	5/1995	Feinberg	5,805,140 A	9/1998	Rosenberg et al.
5,411,481 A	5/1995	Allen et al.	5,807,393 A	9/1998	Williamson, IV et al.
5,419,761 A	5/1995	Narayanan et al.	5,808,396 A	9/1998	Boukhny
5,421,829 A	6/1995	Olichney et al.	5,810,859 A	9/1998	DiMatteo et al.
5,423,844 A	6/1995	Miller	5,817,084 A	10/1998	Jensen
5,438,997 A	8/1995	Sieben et al.	5,817,119 A	10/1998	Klieman et al.
5,445,639 A	8/1995	Kuslich et al.	5,823,197 A	10/1998	Edwards
5,449,370 A	9/1995	Vaitekunas	5,827,323 A	10/1998	Klieman et al.
5,451,161 A *	9/1995	Sharp ..... A61B 17/32006 433/119	5,828,160 A	10/1998	Sugishita
5,451,220 A	9/1995	Ciervo	5,833,696 A	11/1998	Whitfield et al.
5,456,684 A	10/1995	Schmidt et al.	5,836,897 A	11/1998	Sakurai et al.
			5,836,957 A	11/1998	Schulz et al.
			5,843,109 A	12/1998	Mehta et al.
			5,851,212 A	12/1998	Zirps et al.
			5,858,018 A	1/1999	Shipp et al.
			5,865,361 A	2/1999	Milliman et al.



(56)

References Cited

U.S. PATENT DOCUMENTS

5,873,873 A	2/1999	Smith et al.	6,154,198 A	11/2000	Rosenberg
5,873,882 A	2/1999	Straub et al.	6,159,160 A	12/2000	Hsei et al.
5,878,193 A	3/1999	Wang et al.	6,159,175 A	12/2000	Strukel et al.
5,879,364 A	3/1999	Bromfield et al.	6,162,194 A	12/2000	Shipp
5,883,615 A	3/1999	Fago et al.	6,165,150 A	12/2000	Banko
5,893,835 A	4/1999	Witt et al.	6,174,310 B1	1/2001	Kirwan, Jr.
5,897,523 A	4/1999	Wright et al.	6,179,853 B1	1/2001	Sachse et al.
5,897,569 A	4/1999	Kellogg et al.	6,183,426 B1	2/2001	Akisada et al.
5,903,607 A	5/1999	Taillet	6,193,709 B1	2/2001	Miyawaki et al.
5,904,681 A	5/1999	West, Jr.	6,204,592 B1	3/2001	Hur
5,906,627 A	5/1999	Spaulding	6,205,383 B1 *	3/2001	Hermann ..... B60R 21/01 280/728.1
5,906,628 A	5/1999	Miyawaki et al.	6,205,855 B1	3/2001	Pfeiffer
5,911,699 A	6/1999	Anis et al.	6,206,844 B1	3/2001	Reichel et al.
5,916,229 A	6/1999	Evans	6,210,337 B1	4/2001	Dunham et al.
5,929,846 A	7/1999	Rosenberg et al.	6,210,402 B1	4/2001	Olsen et al.
5,935,143 A	8/1999	Hood	6,210,403 B1	4/2001	Klicek
5,935,144 A	8/1999	Estabrook	6,214,023 B1	4/2001	Whipple et al.
5,938,633 A	8/1999	Beaupre	6,228,080 B1	5/2001	Gines
5,944,718 A	8/1999	Austin et al.	6,231,565 B1	5/2001	Tovey et al.
5,944,737 A	8/1999	Tsonton et al.	6,233,476 B1	5/2001	Strommer et al.
5,947,984 A	9/1999	Whipple	6,238,366 B1	5/2001	Savage et al.
5,954,736 A	9/1999	Bishop et al.	6,245,065 B1	6/2001	Panescu et al.
5,954,746 A	9/1999	Holthaus et al.	6,251,110 B1	6/2001	Wampler
5,957,882 A	9/1999	Nita et al.	6,252,110 B1	6/2001	Uemura et al.
5,957,943 A	9/1999	Vaitekunas	D444,365 S	7/2001	Bass et al.
5,968,007 A	10/1999	Simon et al.	D445,092 S	7/2001	Lee
5,968,060 A	10/1999	Kellogg	D445,764 S	7/2001	Lee
5,974,342 A *	10/1999	Petrofsky ..... 607/50	6,254,623 B1	7/2001	Haibel, Jr. et al.
D416,089 S	11/1999	Barton et al.	6,257,241 B1	7/2001	Wampler
5,980,510 A	11/1999	Tsonton et al.	6,258,034 B1	7/2001	Hanafy
5,980,546 A	11/1999	Hood	6,267,761 B1	7/2001	Ryan
5,989,274 A	11/1999	Davison et al.	6,270,831 B2	8/2001	Kumar et al.
5,989,275 A	11/1999	Estabrook et al.	6,273,852 B1	8/2001	Lehe et al.
5,993,465 A	11/1999	Shipp et al.	6,274,963 B1	8/2001	Estabrook et al.
5,993,972 A	11/1999	Reich et al.	6,277,115 B1	8/2001	Saadat
5,994,855 A	11/1999	Lundell et al.	6,278,218 B1	8/2001	Madan et al.
6,024,741 A	2/2000	Williamson, IV et al.	6,280,407 B1	8/2001	Manna et al.
6,024,750 A	2/2000	Mastri et al.	6,283,981 B1	9/2001	Beaupre
6,027,515 A	2/2000	Cimino	6,287,344 B1	9/2001	Wampler et al.
6,031,526 A	2/2000	Shipp	6,290,575 B1	9/2001	Shipp
6,033,375 A	3/2000	Brumbach	6,299,591 B1	10/2001	Banko
6,033,399 A	3/2000	Gines	6,306,131 B1	10/2001	Hareyarna
6,036,667 A	3/2000	Manna et al.	6,306,157 B1	10/2001	Shchervinsky
6,036,707 A	3/2000	Spaulding	6,309,400 B2	10/2001	Beaupre
6,048,224 A	4/2000	Kay	6,311,783 B1	11/2001	Harpell
6,050,943 A	4/2000	Slayton et al.	6,319,221 B1	11/2001	Savage et al.
6,051,010 A	4/2000	DiMatteo et al.	6,325,795 B1	12/2001	Lindemann et al.
6,056,735 A	5/2000	Okada et al.	6,325,799 B1	12/2001	Goble
6,063,098 A	5/2000	Houser et al.	6,325,811 B1	12/2001	Messerly
6,066,132 A	5/2000	Chen et al.	6,328,751 B1	12/2001	Beaupre
6,066,151 A	5/2000	Miyawaki et al.	6,332,891 B1	12/2001	Himes
6,068,627 A	5/2000	Orszulak et al.	6,338,657 B1	1/2002	Harper et al.
6,068,647 A	5/2000	Witt et al.	6,340,352 B1	1/2002	Okada et al.
6,077,285 A	6/2000	Boukhny	6,350,269 B1	2/2002	Shipp et al.
6,083,191 A	7/2000	Rose	6,352,532 B1	3/2002	Kramer et al.
6,086,584 A	7/2000	Miller	6,358,264 B2	3/2002	Banko
6,090,120 A	7/2000	Wright et al.	6,364,888 B1	4/2002	Niemeyer et al.
6,096,033 A	8/2000	Tu et al.	6,379,320 B1	4/2002	Lafon et al.
6,099,542 A	8/2000	Cohn et al.	D457,958 S	5/2002	Dycus et al.
6,109,500 A	8/2000	Alli et al.	6,383,194 B1	5/2002	Pothula
6,110,127 A	8/2000	Suzuki	6,384,690 B1	5/2002	Wilhelmsson et al.
6,113,594 A	9/2000	Savage	6,387,109 B1	5/2002	Davison et al.
6,117,152 A	9/2000	Huitema	6,388,657 B1	5/2002	Natoli
6,126,629 A	10/2000	Perkins	6,391,042 B1	5/2002	Cimino
6,129,735 A	10/2000	Okada et al.	6,398,779 B1	6/2002	Buysse et al.
6,129,740 A	10/2000	Michelson	6,402,743 B1	6/2002	Orszulak et al.
6,132,368 A	10/2000	Cooper	6,402,748 B1	6/2002	Schoenman et al.
6,132,427 A	10/2000	Jones et al.	6,405,733 B1	6/2002	Fogarty et al.
6,132,448 A	10/2000	Perez et al.	6,416,486 B1	7/2002	Wampler
6,139,320 A	10/2000	Hahn	6,423,073 B2	7/2002	Bowman
6,139,561 A	10/2000	Shibata et al.	6,423,082 B1	7/2002	Houser et al.
6,142,615 A	11/2000	Qiu et al.	6,425,906 B1	7/2002	Young et al.
6,142,994 A	11/2000	Swanson et al.	6,428,538 B1	8/2002	Blewett et al.
6,147,560 A	11/2000	Erhage et al.	6,428,539 B1	8/2002	Baxter et al.
6,152,902 A	11/2000	Christian et al.	6,432,118 B1	8/2002	Messerly
			6,436,114 B1	8/2002	Novak et al.
			6,436,115 B1	8/2002	Beaupre
			6,440,062 B1	8/2002	Ouchi



(56)

## References Cited

## U.S. PATENT DOCUMENTS

6,443,968 B1	9/2002	Holthaus et al.	6,702,821 B2	3/2004	Bonutti
6,443,969 B1	9/2002	Novak et al.	6,716,215 B1	4/2004	David et al.
6,449,006 B1	9/2002	Shipp	6,719,692 B2	4/2004	Kleffner et al.
6,454,781 B1	9/2002	Witt et al.	6,719,776 B2	4/2004	Baxter
6,454,782 B1	9/2002	Schwemberger	6,723,091 B2	4/2004	Goble et al.
6,458,142 B1	10/2002	Faller et al.	D490,059 S	5/2004	Conway et al.
6,475,215 B1	11/2002	Tanrisever	6,731,047 B2	5/2004	Kauf et al.
6,480,796 B2	11/2002	Wiener	6,733,506 B1	5/2004	McDevitt et al.
6,485,490 B2	11/2002	Wampler et al.	6,736,813 B2	5/2004	Yamauchi et al.
6,491,701 B2	12/2002	Tierney et al.	6,739,872 B1	5/2004	Turri
6,491,708 B2	12/2002	Madan et al.	6,740,079 B1	5/2004	Eggers et al.
6,497,715 B2	12/2002	Satou	D491,666 S	6/2004	Kimmell et al.
6,500,176 B1	12/2002	Truckai et al.	6,743,245 B2	6/2004	Lobdell
6,500,188 B2	12/2002	Harper et al.	6,746,284 B1	6/2004	Spink, Jr.
6,500,312 B2	12/2002	Wedekamp	6,746,443 B1	6/2004	Morley et al.
6,506,208 B2	1/2003	Hunt et al.	6,752,815 B2	6/2004	Beaupre
6,511,478 B1	1/2003	Burnside et al.	6,755,825 B2	6/2004	Shoenman et al.
6,511,493 B1	1/2003	Moutafis et al.	6,761,698 B2	7/2004	Shibata et al.
6,514,267 B2	2/2003	Jewett	6,762,535 B2	7/2004	Take et al.
6,524,251 B2	2/2003	Rabiner et al.	6,770,072 B1	8/2004	Truckai et al.
6,524,316 B1	2/2003	Nicholson et al.	6,773,409 B2	8/2004	Truckai et al.
6,527,736 B1	3/2003	Attinger et al.	6,773,443 B2	8/2004	Truwit et al.
6,533,784 B2	3/2003	Truckai et al.	6,773,444 B2	8/2004	Messerly
6,537,272 B2	3/2003	Christopherson et al.	6,778,023 B2	8/2004	Christensen
6,537,291 B2	3/2003	Friedman et al.	6,783,524 B2	8/2004	Anderson et al.
6,543,452 B1	4/2003	Lavigne	6,786,382 B1	9/2004	Hoffman
6,543,456 B1	4/2003	Freeman	6,786,383 B2	9/2004	Stegelmann
6,544,260 B1	4/2003	Markel et al.	6,790,173 B2	9/2004	Saadat et al.
6,558,376 B2	5/2003	Bishop	6,790,216 B1	9/2004	Ishikawa
6,561,983 B2	5/2003	Cronin et al.	6,796,981 B2	9/2004	Wham et al.
6,562,035 B1	5/2003	Levin	D496,997 S	10/2004	Dycus et al.
6,565,558 B1	5/2003	Lindenmeier et al.	6,802,843 B2	10/2004	Truckai et al.
6,572,563 B2	6/2003	Ouchi	6,808,525 B2	10/2004	Latterell et al.
6,572,632 B2	6/2003	Zisterer et al.	6,809,508 B2	10/2004	Donofrio
6,575,969 B1	6/2003	Rittman, III et al.	6,810,281 B2	10/2004	Brock et al.
6,582,427 B1	6/2003	Goble et al.	6,827,712 B2	12/2004	Tovey et al.
6,582,451 B1	6/2003	Marucci et al.	6,828,712 B2	12/2004	Battaglin et al.
D477,408 S	7/2003	Bromley	6,835,082 B2	12/2004	Gonnering
6,588,277 B2	7/2003	Giordano et al.	6,849,073 B2	2/2005	Hoey et al.
6,589,200 B1	7/2003	Schwemberger et al.	6,860,878 B2	3/2005	Brock
6,589,239 B2	7/2003	Khandkar et al.	6,863,676 B2	3/2005	Lee et al.
6,599,288 B2	7/2003	Maguire et al.	6,869,439 B2	3/2005	White et al.
6,607,540 B1	8/2003	Shipp	6,875,220 B2	4/2005	Du et al.
6,610,059 B1	8/2003	West, Jr.	6,877,647 B2	4/2005	Green et al.
6,616,450 B2	9/2003	Mossle et al.	6,882,439 B2	4/2005	Ishijima
6,619,529 B2	9/2003	Green et al.	6,887,209 B2	5/2005	Kadziauskas et al.
6,623,500 B1	9/2003	Cook et al.	6,887,252 B1	5/2005	Okada et al.
6,623,501 B2	9/2003	Heller et al.	6,899,685 B2	5/2005	Kermode et al.
6,626,848 B2	9/2003	Neuenfeldt	6,905,497 B2	6/2005	Truckai et al.
6,626,926 B2	9/2003	Friedman et al.	6,908,472 B2	6/2005	Wiener et al.
6,629,974 B2	10/2003	Penny et al.	6,913,579 B2	7/2005	Truckai et al.
6,633,234 B2	10/2003	Wiener et al.	6,915,623 B2	7/2005	Dey et al.
6,644,532 B2	11/2003	Green et al.	6,923,804 B2	8/2005	Eggers et al.
6,651,669 B1	11/2003	Burnside	6,926,712 B2	8/2005	Phan
6,652,513 B2	11/2003	Panescu et al.	6,926,716 B2	8/2005	Baker et al.
6,652,539 B2	11/2003	Shipp et al.	6,929,602 B2	8/2005	Hirakui et al.
6,652,545 B2	11/2003	Shipp et al.	6,929,632 B2	8/2005	Nita et al.
6,656,132 B1	12/2003	Ouchi	6,929,644 B2	8/2005	Truckai et al.
6,656,177 B2	12/2003	Truckai et al.	6,933,656 B2	8/2005	Matsushita et al.
6,660,017 B2	12/2003	Beaupre	D509,589 S	9/2005	Wells
6,662,127 B2	12/2003	Wiener et al.	6,942,660 B2	9/2005	Pantera et al.
6,663,941 B2	12/2003	Brown et al.	6,942,677 B2	9/2005	Nita et al.
6,666,860 B1	12/2003	Takahashi	6,945,981 B2	9/2005	Donofrio et al.
6,666,875 B1	12/2003	Sakurai et al.	6,946,779 B2	9/2005	Birgel
6,669,690 B1	12/2003	Okada et al.	6,948,503 B2	9/2005	Refior et al.
6,669,710 B2	12/2003	Moutafis et al.	D511,145 S	11/2005	Donofrio et al.
6,676,660 B2	1/2004	Wampler et al.	6,974,450 B2	12/2005	Weber et al.
6,678,621 B2	1/2004	Wiener et al.	6,976,844 B2	12/2005	Hickok et al.
6,679,875 B2	1/2004	Honda et al.	6,976,969 B2	12/2005	Messerly
6,679,899 B2	1/2004	Wiener et al.	6,977,495 B2	12/2005	Donofrio
6,682,544 B2	1/2004	Mastri et al.	6,979,332 B2	12/2005	Adams
6,685,701 B2	2/2004	Orszulak et al.	6,981,628 B2	1/2006	Wales
6,685,703 B2	2/2004	Pearson et al.	6,984,220 B2	1/2006	Wuchinich
6,689,145 B2	2/2004	Lee et al.	6,988,295 B2	1/2006	Tillim
6,689,146 B1	2/2004	Himes	6,994,708 B2	2/2006	Manzo
			7,001,335 B2	2/2006	Adachi et al.
			7,011,657 B2	3/2006	Truckai et al.
			7,014,638 B2	3/2006	Michelson
			7,033,357 B2	4/2006	Baxter et al.



(56)

## References Cited

## U.S. PATENT DOCUMENTS

7,037,306 B2	5/2006	Podany	7,311,706 B2	12/2007	Schoenman et al.
7,041,083 B2	5/2006	Chu et al.	7,311,709 B2	12/2007	Truckai et al.
7,041,088 B2	5/2006	Nawrocki et al.	7,317,955 B2	1/2008	McGreevy
7,041,102 B2	5/2006	Truckai et al.	7,318,831 B2	1/2008	Alvarez et al.
7,044,949 B2	5/2006	Orszulak et al.	7,326,236 B2	2/2008	Andreas et al.
7,066,893 B2	6/2006	Hibner et al.	7,331,410 B2	2/2008	Yong et al.
7,066,895 B2	6/2006	Podany	7,335,165 B2	2/2008	Truwit et al.
7,070,597 B2	7/2006	Truckai et al.	7,335,997 B2	2/2008	Wiener
7,074,218 B2	7/2006	Washington et al.	7,337,010 B2	2/2008	Howard et al.
7,074,219 B2	7/2006	Levine et al.	7,353,068 B2	4/2008	Tanaka et al.
7,077,039 B2	7/2006	Gass et al.	7,354,440 B2	4/2008	Truckal et al.
7,077,845 B2	7/2006	Hacker et al.	7,361,172 B2	4/2008	Cimino
7,077,853 B2	7/2006	Kramer et al.	7,364,577 B2	4/2008	Wham et al.
7,083,618 B2	8/2006	Couture	RE40,388 E	6/2008	Gines
7,083,619 B2	8/2006	Truckai et al.	7,380,695 B2	6/2008	Doll et al.
7,087,054 B2	8/2006	Truckai et al.	7,380,696 B2	6/2008	Shelton, IV et al.
7,090,672 B2	8/2006	Underwood et al.	7,381,209 B2	6/2008	Truckai et al.
7,101,371 B2	9/2006	Dycus et al.	7,390,317 B2	6/2008	Taylor et al.
7,101,378 B2	9/2006	Salameh et al.	7,404,508 B2	7/2008	Smith et al.
7,104,834 B2	9/2006	Robinson et al.	7,408,288 B2	8/2008	Hara
7,108,695 B2	9/2006	Witt et al.	7,416,101 B2	8/2008	Shelton, IV et al.
7,111,769 B2	9/2006	Wales et al.	7,416,437 B2	8/2008	Sartor et al.
7,112,201 B2	9/2006	Truckai et al.	D576,725 S	9/2008	Shumer et al.
D531,311 S	10/2006	Guerra et al.	7,419,490 B2	9/2008	Falkenstein et al.
7,117,034 B2	10/2006	Kronberg	7,422,139 B2	9/2008	Shelton, IV et al.
7,118,564 B2	10/2006	Ritchie et al.	7,422,463 B2	9/2008	Kuo
7,124,932 B2	10/2006	Isaacson et al.	D578,643 S	10/2008	Shumer et al.
7,125,409 B2	10/2006	Truckai et al.	D578,644 S	10/2008	Shumer et al.
7,128,720 B2	10/2006	Podany	D578,645 S	10/2008	Shumer et al.
7,131,860 B2	11/2006	Sartor et al.	7,431,704 B2	10/2008	Babaev
7,135,018 B2	11/2006	Ryan et al.	7,441,684 B2	10/2008	Shelton, IV et al.
7,135,030 B2	11/2006	Schwemberger et al.	7,455,208 B2	11/2008	Wales et al.
7,137,980 B2	11/2006	Buysse et al.	7,462,181 B2	12/2008	Kraft et al.
7,144,403 B2	12/2006	Booth	7,464,846 B2	12/2008	Shelton, IV et al.
7,153,315 B2	12/2006	Miller	7,472,815 B2	1/2009	Shelton, IV et al.
D536,093 S	1/2007	Nakajima et al.	7,473,263 B2	1/2009	Johnston et al.
7,156,189 B1	1/2007	Bar-Cohen et al.	7,479,148 B2	1/2009	Beaupre
7,156,853 B2	1/2007	Muratsu	7,479,160 B2	1/2009	Branch et al.
7,157,058 B2	1/2007	Marhasin et al.	7,481,775 B2	1/2009	Weikel, Jr. et al.
7,159,750 B2	1/2007	Racenet et al.	7,488,285 B2	2/2009	Honda et al.
7,160,296 B2	1/2007	Pearson et al.	7,494,468 B2	2/2009	Rabiner et al.
7,160,299 B2	1/2007	Baily	7,502,234 B2	3/2009	Goliszek et al.
7,163,548 B2	1/2007	Stulen et al.	7,503,893 B2	3/2009	Kucklick
7,169,144 B2	1/2007	Hoey et al.	7,503,895 B2	3/2009	Rabiner et al.
7,169,146 B2	1/2007	Truckai et al.	7,506,790 B2	3/2009	Shelton, IV
7,179,254 B2	2/2007	Pendekanti et al.	7,506,791 B2	3/2009	Omaits et al.
7,179,271 B2	2/2007	Friedman et al.	7,524,320 B2	4/2009	Tierney et al.
7,186,253 B2	3/2007	Truckai et al.	7,530,986 B2	5/2009	Beaupre et al.
7,189,233 B2	3/2007	Truckai et al.	7,534,243 B1	5/2009	Chin et al.
D541,418 S	4/2007	Schechter et al.	D594,983 S	6/2009	Price et al.
7,198,635 B2	4/2007	Danek et al.	7,540,871 B2	6/2009	Gonnering
7,204,820 B2	4/2007	Akahoshi	7,544,200 B2	6/2009	Houser
7,207,997 B2	4/2007	Shipp et al.	7,549,564 B2	6/2009	Boudreaux
7,210,881 B2	5/2007	Greenberg	7,559,450 B2	7/2009	Wales et al.
7,211,079 B2	5/2007	Treat	7,567,012 B2	7/2009	Namikawa
7,217,128 B2	5/2007	Atkin et al.	7,568,603 B2	8/2009	Shelton, IV et al.
7,217,269 B2	5/2007	El-Galley et al.	7,569,057 B2	8/2009	Liu et al.
7,220,951 B2	5/2007	Truckai et al.	7,572,266 B2	8/2009	Young et al.
7,223,229 B2	5/2007	Inman et al.	7,572,268 B2	8/2009	Babaev
7,229,455 B2	6/2007	Sakurai et al.	7,578,820 B2	8/2009	Moore et al.
7,235,071 B2	6/2007	Gonnering	7,582,084 B2	9/2009	Swanson et al.
7,244,262 B2	7/2007	Wiener et al.	7,582,095 B2	9/2009	Shipp et al.
7,258,688 B1	8/2007	Shah et al.	7,585,181 B2	9/2009	Olsen
7,269,873 B2	9/2007	Brewer et al.	7,588,176 B2	9/2009	Timm et al.
7,273,483 B2	9/2007	Wiener et al.	7,601,119 B2	10/2009	Shahinian
D552,241 S	10/2007	Bromley et al.	7,607,557 B2	10/2009	Shelton, IV et al.
7,282,048 B2	10/2007	Goble et al.	7,621,930 B2	11/2009	Houser
7,285,895 B2	10/2007	Beaupre	7,641,653 B2	1/2010	Della Bette et al.
7,300,431 B2	11/2007	Dubrovsky	7,645,278 B2	1/2010	Ichihashi et al.
7,300,435 B2	11/2007	Wham et al.	7,654,431 B2	2/2010	Hueil et al.
7,300,446 B2	11/2007	Beaupre	7,659,833 B2	2/2010	Warner et al.
7,303,531 B2	12/2007	Lee et al.	7,665,647 B2	2/2010	Shelton, IV et al.
7,303,557 B2	12/2007	Wham et al.	7,670,334 B2	3/2010	Hueil et al.
7,306,597 B2	12/2007	Manzo	7,670,338 B2	3/2010	Albrecht et al.
7,309,849 B2	12/2007	Truckai et al.	7,674,263 B2	3/2010	Ryan
			7,678,069 B1	3/2010	Baker et al.
			7,678,125 B2	3/2010	Shipp
			7,682,366 B2	3/2010	Sakurai et al.
			7,686,770 B2	3/2010	Cohen



(56)

References Cited

U.S. PATENT DOCUMENTS

7,686,826 B2	3/2010	Lee et al.	8,057,498 B2	11/2011	Robertson
7,688,028 B2	3/2010	Phillips et al.	8,058,771 B2	11/2011	Giordano et al.
7,691,098 B2	4/2010	Wallace et al.	8,061,014 B2	11/2011	Smith et al.
7,699,846 B2	4/2010	Ryan	8,070,711 B2	12/2011	Bassinger et al.
7,713,202 B2	5/2010	Boukhny et al.	8,070,762 B2	12/2011	Escudero et al.
7,714,481 B2	5/2010	Sakai	8,075,558 B2	12/2011	Truckai et al.
7,717,312 B2	5/2010	Beetel	8,089,197 B2	1/2012	Rinner et al.
7,717,915 B2	5/2010	Miyazawa	8,097,012 B2	1/2012	Kagarise
7,721,935 B2	5/2010	Racenet et al.	8,105,323 B2	1/2012	Buysse et al.
D618,797 S	6/2010	Price et al.	8,142,461 B2	3/2012	Houser et al.
7,726,537 B2	6/2010	Olson et al.	8,152,801 B2	4/2012	Goldberg et al.
7,727,177 B2	6/2010	Bayat	8,152,825 B2	4/2012	Madan et al.
7,738,969 B2	6/2010	Bleich	8,157,145 B2	4/2012	Shelton, IV et al.
7,740,594 B2	6/2010	Hibner	8,161,977 B2	4/2012	Shelton, IV et al.
7,751,115 B2	7/2010	Song	8,162,966 B2	4/2012	Connor et al.
D621,503 S	8/2010	Otten et al.	8,172,846 B2	5/2012	Brunnett et al.
7,766,210 B2	8/2010	Shelton, IV et al.	8,172,870 B2	5/2012	Shipp
7,766,693 B2	8/2010	Sartor et al.	8,177,800 B2	5/2012	Spitz et al.
7,770,774 B2	8/2010	Mastri et al.	8,182,502 B2	5/2012	Stulen et al.
7,770,775 B2	8/2010	Shelton, IV et al.	8,186,877 B2	5/2012	Klimovitch et al.
7,771,425 B2	8/2010	Dycus et al.	D661,801 S	6/2012	Price et al.
7,771,444 B2	8/2010	Patel et al.	D661,802 S	6/2012	Price et al.
7,775,972 B2	8/2010	Brock et al.	D661,803 S	6/2012	Price et al.
7,776,036 B2	8/2010	Schechter et al.	D661,804 S	6/2012	Price et al.
7,778,733 B2	8/2010	Nowlin et al.	8,197,472 B2	6/2012	Lau et al.
7,780,054 B2	8/2010	Wales	8,197,502 B2	6/2012	Smith et al.
7,780,593 B2	8/2010	Ueno et al.	8,207,651 B2	6/2012	Gilbert
7,780,651 B2	8/2010	Madhani et al.	8,210,411 B2	7/2012	Yates et al.
7,780,659 B2	8/2010	Okada et al.	8,226,675 B2	7/2012	Houser et al.
7,784,662 B2	8/2010	Wales et al.	8,235,917 B2	8/2012	Joseph et al.
7,796,969 B2	9/2010	Kelly et al.	8,236,019 B2	8/2012	Houser
7,798,386 B2	9/2010	Schall et al.	8,236,020 B2	8/2012	Smith et al.
7,799,020 B2	9/2010	Shores et al.	8,241,271 B2	8/2012	Millman et al.
7,799,045 B2	9/2010	Masuda	8,246,575 B2	8/2012	Viola
7,803,152 B2	9/2010	Honda et al.	8,246,615 B2	8/2012	Behnke
7,806,891 B2	10/2010	Nowlin et al.	8,252,012 B2	8/2012	Stulen
7,810,693 B2	10/2010	Broehl et al.	8,253,303 B2	8/2012	Giordano et al.
7,811,283 B2	10/2010	Moses et al.	8,257,377 B2	9/2012	Wiener et al.
7,819,819 B2	10/2010	Quick et al.	8,257,387 B2	9/2012	Cunningham
7,821,143 B2	10/2010	Wiener	8,273,087 B2	9/2012	Kimura et al.
D627,066 S	11/2010	Romero	D669,992 S	10/2012	Schafer et al.
7,824,401 B2	11/2010	Manzo et al.	D669,993 S	10/2012	Merchant et al.
7,832,611 B2	11/2010	Boyden et al.	8,286,846 B2	10/2012	Smith et al.
7,834,484 B2	11/2010	Sartor	8,287,485 B2	10/2012	Kimura et al.
7,837,699 B2	11/2010	Yamada et al.	8,287,528 B2	10/2012	Wham et al.
7,845,537 B2	12/2010	Shelton, IV et al.	8,287,532 B2	10/2012	Carroll et al.
7,846,155 B2	12/2010	Houser et al.	8,292,888 B2	10/2012	Whitman
7,846,161 B2	12/2010	Dumbauld et al.	8,293,223 B2	10/2012	Wham et al.
7,854,735 B2	12/2010	Houser et al.	8,298,223 B2	10/2012	Wham et al.
D631,155 S	1/2011	Peine et al.	8,298,225 B2	10/2012	Gilbert
7,861,906 B2	1/2011	Doll et al.	8,303,576 B2	11/2012	Brock
7,862,560 B2	1/2011	Marion	8,303,580 B2	11/2012	Wham et al.
7,876,030 B2	1/2011	Taki et al.	8,303,583 B2	11/2012	Hosier et al.
D631,965 S	2/2011	Price et al.	8,319,400 B2	11/2012	Houser et al.
7,878,991 B2	2/2011	Babaev	8,323,302 B2	12/2012	Robertson et al.
7,879,033 B2	2/2011	Sartor et al.	8,328,833 B2	12/2012	Cuny
7,892,606 B2	2/2011	Thies et al.	8,333,778 B2	12/2012	Smith et al.
7,901,400 B2	3/2011	Wham et al.	8,333,779 B2	12/2012	Smith et al.
7,901,423 B2	3/2011	Stulen et al.	8,334,468 B2	12/2012	Palmer et al.
7,905,881 B2	3/2011	Masuda et al.	8,334,635 B2	12/2012	Voegele et al.
7,909,824 B2	3/2011	Masuda et al.	8,337,407 B2	12/2012	Quistgaard et al.
7,922,061 B2	4/2011	Shelton, IV et al.	8,338,726 B2	12/2012	Palmer et al.
7,922,651 B2	4/2011	Yamada et al.	8,344,596 B2	1/2013	Nield et al.
D637,288 S	5/2011	Houghton	8,348,967 B2	1/2013	Stulen
D638,540 S	5/2011	Ijiri et al.	8,357,103 B2	1/2013	Mark et al.
7,936,203 B2 *	5/2011	Zimlich ..... 327/512	8,366,727 B2	2/2013	Witt et al.
7,951,095 B2	5/2011	Makin et al.	8,372,099 B2	2/2013	Deville et al.
7,951,165 B2	5/2011	Golden et al.	8,372,101 B2	2/2013	Smith et al.
7,959,050 B2	6/2011	Smith et al.	8,372,102 B2	2/2013	Stulen et al.
7,959,626 B2	6/2011	Hong et al.	8,374,670 B2	2/2013	Selkee
7,972,329 B2	7/2011	Refior et al.	8,377,059 B2	2/2013	Deville et al.
7,976,544 B2	7/2011	McClurken et al.	8,377,085 B2	2/2013	Smith et al.
7,981,050 B2	7/2011	Ritchart et al.	8,382,748 B2	2/2013	Geisel
7,998,157 B2	8/2011	Culp et al.	8,382,775 B1	2/2013	Bender et al.
8,038,693 B2	10/2011	Allen	8,382,782 B2	2/2013	Robertson et al.
			8,403,948 B2	3/2013	Deville et al.
			8,403,949 B2	3/2013	Palmer et al.
			8,403,950 B2	3/2013	Palmer et al.
			8,418,073 B2	4/2013	Mohr et al.



(56)

References Cited

U.S. PATENT DOCUMENTS

8,418,349 B2	4/2013	Smith et al.	8,951,248 B2	2/2015	Messerly et al.
8,419,757 B2	4/2013	Smith et al.	8,951,272 B2	2/2015	Robertson et al.
8,419,758 B2	4/2013	Smith et al.	8,956,349 B2	2/2015	Aldridge et al.
8,419,759 B2	4/2013	Dietz	8,961,547 B2	2/2015	Dietz et al.
8,425,545 B2	4/2013	Smith et al.	8,968,283 B2	3/2015	Kharin
8,430,898 B2	4/2013	Wiener et al.	8,968,355 B2	3/2015	Malkowski et al.
8,435,257 B2	5/2013	Smith et al.	8,974,477 B2	3/2015	Yamada
8,439,912 B2	5/2013	Cunningham et al.	8,979,890 B2	3/2015	Boudreaux
8,439,939 B2	5/2013	Deville et al.	8,986,287 B2	3/2015	Park et al.
8,444,637 B2	5/2013	Podmore et al.	8,986,302 B2	3/2015	Aldridge et al.
8,444,662 B2	5/2013	Palmer et al.	8,989,903 B2	3/2015	Weir et al.
8,444,664 B2	5/2013	Balanev et al.	9,017,326 B2	4/2015	DiNardo et al.
8,460,288 B2	6/2013	Tamai et al.	9,039,695 B2	5/2015	Giordano et al.
8,461,744 B2	6/2013	Wiener et al.	9,043,018 B2	5/2015	Mohr
8,469,981 B2	6/2013	Robertson et al.	9,044,261 B2	6/2015	Houser
8,479,969 B2	7/2013	Shelton, IV	9,050,093 B2	6/2015	Aldridge et al.
8,480,703 B2	7/2013	Nicholas et al.	9,050,124 B2	6/2015	Houser
8,485,413 B2	7/2013	Scheib et al.	9,060,775 B2	6/2015	Wiener et al.
8,486,057 B2	7/2013	Behnke, II	9,060,776 B2	6/2015	Yates et al.
8,486,096 B2	7/2013	Robertson et al.	9,066,747 B2	6/2015	Robertson
8,491,578 B2	7/2013	Manwaring et al.	9,072,539 B2	7/2015	Messerly et al.
D687,549 S	8/2013	Johnson et al.	9,089,360 B2	7/2015	Messerly et al.
8,506,555 B2	8/2013	Ruiz Morales	9,095,367 B2	8/2015	Olson et al.
8,509,318 B2	8/2013	Tailliet	9,107,689 B2	8/2015	Robertson et al.
8,512,359 B2	8/2013	Whitman et al.	9,113,940 B2	8/2015	Twomey
8,512,365 B2	8/2013	Wiener et al.	9,168,054 B2	10/2015	Turner et al.
8,523,889 B2	9/2013	Stulen et al.	9,198,714 B2	12/2015	Worrell et al.
8,531,064 B2	9/2013	Robertson et al.	9,220,527 B2	12/2015	Houser et al.
8,535,340 B2	9/2013	Allen	9,226,766 B2	1/2016	Aldridge et al.
8,535,341 B2	9/2013	Allen	9,226,767 B2	1/2016	Stulen et al.
8,546,996 B2	10/2013	Messerly et al.	9,232,979 B2	1/2016	Parihar et al.
8,546,999 B2	10/2013	Houser et al.	9,237,921 B2	1/2016	Messerly et al.
8,551,086 B2	10/2013	Kimura et al.	9,241,728 B2	1/2016	Price et al.
8,568,400 B2	10/2013	Gilbert	9,241,731 B2	1/2016	Boudreaux et al.
8,573,461 B2	11/2013	Shelton, IV et al.	9,259,234 B2	2/2016	Robertson et al.
8,573,465 B2	11/2013	Shelton, IV	9,283,045 B2	3/2016	Rhee et al.
8,579,928 B2	11/2013	Robertson et al.	9,326,788 B2	5/2016	Batross et al.
8,591,459 B2	11/2013	Clymer et al.	9,339,289 B2	5/2016	Robertson
8,591,506 B2	11/2013	Wham et al.	9,351,754 B2	5/2016	Vakharia et al.
8,591,536 B2	11/2013	Robertson	9,393,037 B2	7/2016	Olson et al.
D695,407 S	12/2013	Price et al.	9,408,622 B2	8/2016	Stulen et al.
D696,631 S	12/2013	Price et al.	9,414,853 B2	8/2016	Stulen et al.
8,602,031 B2	12/2013	Reis et al.	9,421,060 B2	8/2016	Monson et al.
8,602,288 B2	12/2013	Shelton, IV et al.	9,427,249 B2	8/2016	Robertson et al.
8,608,745 B2	12/2013	Guzman et al.	9,439,668 B2	9/2016	Timm et al.
8,616,431 B2	12/2013	Timm et al.	9,439,669 B2	9/2016	Wiener et al.
8,623,027 B2	1/2014	Price et al.	9,445,832 B2	9/2016	Wiener et al.
8,650,728 B2	2/2014	Wan et al.	2001/0025173 A1	9/2001	Ritchie et al.
8,652,155 B2	2/2014	Houser et al.	2001/0025183 A1	9/2001	Shahidi et al.
8,659,208 B1	2/2014	Rose et al.	2001/0025184 A1	9/2001	Messerly
8,663,220 B2	3/2014	Wiener et al.	2001/0031950 A1	10/2001	Ryan
8,690,582 B2	4/2014	Rohrbach et al.	2001/0039419 A1	11/2001	Francischelli et al.
8,696,366 B2	4/2014	Chen et al.	2002/0002377 A1	1/2002	Cimino
8,704,425 B2	4/2014	Giordano et al.	2002/0019649 A1	2/2002	Sikora et al.
8,709,031 B2	4/2014	Stulen	2002/0022836 A1	2/2002	Goble et al.
8,747,351 B2	6/2014	Schultz	2002/0029055 A1	3/2002	Bonutti
8,749,116 B2	6/2014	Messerly et al.	2002/0049551 A1	4/2002	Friedman et al.
8,752,749 B2	6/2014	Moore et al.	2002/0052617 A1	5/2002	Anis et al.
8,753,338 B2	6/2014	Widenhouse et al.	2002/0077550 A1	6/2002	Rabiner et al.
8,754,570 B2	6/2014	Voegele et al.	2002/0156466 A1	10/2002	Sakurai et al.
8,758,352 B2	6/2014	Cooper et al.	2002/0156493 A1	10/2002	Houser et al.
8,764,735 B2	7/2014	Coe et al.	2003/0014087 A1*	1/2003	Fang et al. .... 607/48
8,771,270 B2	7/2014	Burbank	2003/0036705 A1	2/2003	Hare et al.
8,773,001 B2	7/2014	Wiener et al.	2003/0050572 A1	3/2003	Brautigam et al.
8,779,648 B2	7/2014	Giordano et al.	2003/0055443 A1	3/2003	Spotnitz
8,784,418 B2	7/2014	Romero	2003/0114851 A1	6/2003	Truckai et al.
8,808,319 B2	8/2014	Houser et al.	2003/0144680 A1	7/2003	Kellogg et al.
8,827,992 B2	9/2014	Koss et al.	2003/0199794 A1	10/2003	Sakurai et al.
8,845,537 B2	9/2014	Tanaka et al.	2003/0204199 A1	10/2003	Novak et al.
8,882,791 B2	11/2014	Stulen	2003/0212332 A1	11/2003	Fenton et al.
8,888,776 B2	11/2014	Dietz et al.	2003/0212363 A1	11/2003	Shipp
8,888,809 B2	11/2014	Davison et al.	2003/0212392 A1	11/2003	Fenton et al.
8,899,462 B2	12/2014	Kostrzewski et al.	2003/0212422 A1	11/2003	Fenton et al.
8,900,259 B2	12/2014	Houser et al.	2003/0229344 A1	12/2003	Dycus et al.
8,911,460 B2	12/2014	Neurohr et al.	2004/0030254 A1	2/2004	Babaev
			2004/0030330 A1	2/2004	Brassell et al.
			2004/0047485 A1	3/2004	Sherrit et al.
			2004/0054364 A1	3/2004	Aranyi et al.
			2004/0064151 A1	4/2004	Mollenauer



(56)

## References Cited

## U.S. PATENT DOCUMENTS

2004/0092921	A1	5/2004	Kadziauskas et al.	2007/0106317	A1	5/2007	Shelton, IV et al.
2004/0092992	A1	5/2004	Adams et al.	2007/0129716	A1	6/2007	Daw et al.
2004/0097911	A1	5/2004	Murakami et al.	2007/0130771	A1	6/2007	Ehlert et al.
2004/0097912	A1	5/2004	Gonnering	2007/0131034	A1	6/2007	Ehlert et al.
2004/0097919	A1	5/2004	Wellman et al.	2007/0149881	A1	6/2007	Rabin
2004/0097996	A1	5/2004	Rabiner et al.	2007/0156163	A1	7/2007	Davison et al.
2004/0116952	A1	6/2004	Sakurai et al.	2007/0162050	A1	7/2007	Sartor
2004/0132383	A1	7/2004	Langford et al.	2007/0166663	A1	7/2007	Telles et al.
2004/0147934	A1	7/2004	Kiester	2007/0173803	A1	7/2007	Wham et al.
2004/0167508	A1	8/2004	Wham et al.	2007/0173813	A1	7/2007	Odom
2004/0176686	A1	9/2004	Hare et al.	2007/0173872	A1	7/2007	Neuenfeldt
2004/0176751	A1	9/2004	Weitzner et al.	2007/0175949	A1	8/2007	Shelton, IV et al.
2004/0199193	A1	10/2004	Hayashi et al.	2007/0185380	A1	8/2007	Kucklick
2004/0204728	A1	10/2004	Haefner	2007/0191712	A1	8/2007	Messerly et al.
2004/0215132	A1	10/2004	Yoon	2007/0219481	A1	9/2007	Babaev
2004/0243147	A1	12/2004	Lipow	2007/0239028	A1	10/2007	Houser et al.
2004/0243157	A1	12/2004	Connor et al.	2007/0239101	A1	10/2007	Kellogg
2004/0260300	A1	12/2004	Gorensek et al.	2007/0249941	A1	10/2007	Salehi et al.
2004/0267333	A1*	12/2004	Kronberg ..... 607/72	2007/0260234	A1	11/2007	McCullagh et al.
2005/0020967	A1	1/2005	Ono	2007/0265560	A1	11/2007	Soltani et al.
2005/0021018	A1	1/2005	Anderson et al.	2007/0275348	A1	11/2007	Lemon
2005/0021065	A1	1/2005	Yamada et al.	2007/0282335	A1	12/2007	Young et al.
2005/0033337	A1	2/2005	Muir et al.	2007/0287933	A1	12/2007	Phan et al.
2005/0049546	A1	3/2005	Messerly et al.	2007/0288055	A1	12/2007	Lee
2005/0070800	A1	3/2005	Takahashi	2008/0009848	A1	1/2008	Paraschiv et al.
2005/0096683	A1	5/2005	Ellins et al.	2008/0013809	A1	1/2008	Zhu et al.
2005/0099824	A1	5/2005	Dowling et al.	2008/0051812	A1	2/2008	Schmitz et al.
2005/0103819	A1	5/2005	Racenet et al.	2008/0058585	A1	3/2008	Novak et al.
2005/0143769	A1	6/2005	White et al.	2008/0058775	A1	3/2008	Darian et al.
2005/0149108	A1	7/2005	Cox	2008/0058845	A1	3/2008	Shimizu et al.
2005/0165345	A1	7/2005	Lauffer et al.	2008/0077145	A1	3/2008	Boyden et al.
2005/0177184	A1	8/2005	Easley	2008/0082039	A1	4/2008	Babaev
2005/0182339	A1	8/2005	Lee et al.	2008/0082098	A1	4/2008	Tanaka et al.
2005/0188743	A1	9/2005	Land	2008/0097501	A1	4/2008	Blier
2005/0192610	A1	9/2005	Houser et al.	2008/0114364	A1	5/2008	Goldin et al.
2005/0209620	A1	9/2005	Du et al.	2008/0125768	A1	5/2008	Tahara et al.
2005/0222598	A1	10/2005	Ho et al.	2008/0140158	A1	6/2008	Hamel et al.
2005/0234484	A1	10/2005	Houser et al.	2008/0147092	A1	6/2008	Rogge et al.
2005/0249667	A1	11/2005	Tuszynski et al.	2008/0171938	A1	7/2008	Masuda et al.
2005/0256405	A1	11/2005	Makin et al.	2008/0172051	A1	7/2008	Masuda et al.
2005/0261581	A1	11/2005	Hughes et al.	2008/0177268	A1	7/2008	Daum et al.
2005/0261588	A1	11/2005	Makin et al.	2008/0188878	A1	8/2008	Young
2005/0273090	A1	12/2005	Nieman et al.	2008/0200940	A1	8/2008	Eichmann et al.
2005/0288659	A1	12/2005	Kimura et al.	2008/0208108	A1	8/2008	Kimura
2006/0030797	A1	2/2006	Zhou et al.	2008/0208231	A1	8/2008	Ota et al.
2006/0058825	A1	3/2006	Ogura et al.	2008/0214967	A1	9/2008	Aranyi et al.
2006/0063130	A1	3/2006	Hayman et al.	2008/0234709	A1	9/2008	Houser
2006/0066181	A1	3/2006	Bromfield et al.	2008/0234710	A1	9/2008	Neurohr et al.
2006/0074442	A1	4/2006	Noriega et al.	2008/0234711	A1	9/2008	Houser et al.
2006/0079874	A1	4/2006	Faller et al.	2008/0243106	A1	10/2008	Coe et al.
2006/0079876	A1	4/2006	Houser et al.	2008/0243162	A1	10/2008	Shibata et al.
2006/0079878	A1	4/2006	Houser	2008/0245371	A1	10/2008	Gruber
2006/0079879	A1	4/2006	Faller et al.	2008/0249553	A1	10/2008	Gruber et al.
2006/0084963	A1	4/2006	Messerly	2008/0255423	A1	10/2008	Kondo et al.
2006/0095046	A1	5/2006	Trieu et al.	2008/0262490	A1	10/2008	Williams
2006/0190034	A1	8/2006	Nishizawa et al.	2008/0281200	A1	11/2008	Voic et al.
2006/0206100	A1	9/2006	Eskridge et al.	2008/0281315	A1	11/2008	Gines
2006/0206115	A1	9/2006	Schomer et al.	2008/0281322	A1	11/2008	Sherman et al.
2006/0211943	A1	9/2006	Beaupre	2008/0287948	A1	11/2008	Newton et al.
2006/0217729	A1	9/2006	Eskridge et al.	2009/0023985	A1	1/2009	Ewers
2006/0224160	A1	10/2006	Trieu et al.	2009/0024141	A1	1/2009	Stahler et al.
2006/0235306	A1	10/2006	Cotter et al.	2009/0030311	A1	1/2009	Stulen et al.
2006/0247558	A1	11/2006	Yamada	2009/0030351	A1	1/2009	Wiener et al.
2006/0253050	A1	11/2006	Yoshimine et al.	2009/0030437	A1	1/2009	Houser et al.
2006/0264809	A1	11/2006	Hansmann et al.	2009/0030438	A1	1/2009	Stulen
2006/0271030	A1	11/2006	Francis et al.	2009/0030439	A1	1/2009	Stulen
2007/0016235	A1	1/2007	Tanaka et al.	2009/0036911	A1	2/2009	Stulen
2007/0016236	A1	1/2007	Beaupre	2009/0036912	A1	2/2009	Wiener et al.
2007/0055228	A1	3/2007	Berg et al.	2009/0036913	A1	2/2009	Wiener et al.
2007/0056596	A1	3/2007	Fanney et al.	2009/0036914	A1	2/2009	Houser
2007/0060915	A1	3/2007	Kucklick	2009/0048537	A1	2/2009	Lydon et al.
2007/0060935	A1	3/2007	Schwardt et al.	2009/0054886	A1	2/2009	Yachi et al.
2007/0063618	A1	3/2007	Bromfield	2009/0054894	A1	2/2009	Yachi
2007/0074584	A1	4/2007	Talarico et al.	2009/0076506	A1	3/2009	Baker
2007/0078458	A1	4/2007	Dumbauld et al.	2009/0082716	A1	3/2009	Akahoshi
				2009/0088738	A1	4/2009	Guerra et al.
				2009/0088785	A1	4/2009	Masuda
				2009/0105750	A1	4/2009	Price et al.
				2009/0112229	A1	4/2009	Omori et al.



(56)

## References Cited

## U.S. PATENT DOCUMENTS

2009/0118751	A1	5/2009	Wiener et al.	2011/0087214	A1	4/2011	Giordano et al.
2009/0118802	A1	5/2009	Mioduski et al.	2011/0087215	A1	4/2011	Aldridge et al.
2009/0138006	A1	5/2009	Bales et al.	2011/0087216	A1	4/2011	Aldridge et al.
2009/0143797	A1	6/2009	Smith et al.	2011/0087217	A1	4/2011	Yates et al.
2009/0143798	A1	6/2009	Smith et al.	2011/0087218	A1	4/2011	Boudreaux et al.
2009/0143799	A1	6/2009	Smith et al.	2011/0087256	A1	4/2011	Wiener et al.
2009/0143800	A1	6/2009	Deville et al.	2011/0112526	A1	5/2011	Fritz et al.
2009/0143801	A1	6/2009	Deville et al.	2011/0125151	A1	5/2011	Strauss et al.
2009/0143802	A1	6/2009	Deville et al.	2011/0125174	A1	5/2011	Babaev
2009/0143803	A1	6/2009	Palmer et al.	2011/0125175	A1	5/2011	Stulen et al.
2009/0143804	A1	6/2009	Palmer et al.	2011/0140863	A1*	6/2011	Shingai ..... G06K 7/0008
2009/0143805	A1	6/2009	Palmer et al.				340/10.6
2009/0143806	A1	6/2009	Witt et al.	2011/0144806	A1	6/2011	Sandhu et al.
2009/0149801	A1	6/2009	Crandall et al.	2011/0196286	A1	8/2011	Robertson et al.
2009/0163807	A1	6/2009	Sliwa	2011/0196287	A1	8/2011	Robertson et al.
2009/0207923	A1	8/2009	Dress	2011/0196398	A1	8/2011	Robertson et al.
2009/0216157	A1	8/2009	Yamada	2011/0196399	A1	8/2011	Robertson et al.
2009/0223033	A1	9/2009	Houser	2011/0196400	A1	8/2011	Robertson et al.
2009/0254077	A1	10/2009	Craig	2011/0196401	A1	8/2011	Robertson et al.
2009/0254080	A1	10/2009	Honda	2011/0196402	A1	8/2011	Robertson et al.
2009/0264909	A1	10/2009	Beaupre	2011/0196403	A1	8/2011	Robertson et al.
2009/0270771	A1	10/2009	Takahashi	2011/0196404	A1	8/2011	Dietz et al.
2009/0270812	A1	10/2009	Litscher et al.	2011/0196405	A1	8/2011	Dietz
2009/0270853	A1	10/2009	Yachi et al.	2011/0224689	A1	9/2011	Larkin et al.
2009/0270891	A1	10/2009	Beupre	2011/0238065	A1	9/2011	Hunt et al.
2009/0270899	A1	10/2009	Carusillo et al.	2011/0257650	A1	10/2011	Deville et al.
2009/0275940	A1*	11/2009	Malackowski et al. .... 606/42	2011/0270126	A1	11/2011	Gunday et al.
2009/0299141	A1	12/2009	Downey et al.	2011/0288452	A1	11/2011	Houser et al.
2009/0318945	A1	12/2009	Yoshimine et al.	2011/0290853	A1	12/2011	Shelton, IV et al.
2009/0327715	A1	12/2009	Smith et al.	2011/0290856	A1	12/2011	Shelton, IV et al.
2010/0004508	A1	1/2010	Naito et al.	2011/0295242	A1	12/2011	Spivey et al.
2010/0004668	A1	1/2010	Smith et al.	2012/0004655	A1	1/2012	Kim et al.
2010/0004669	A1	1/2010	Smith et al.	2012/0022525	A1	1/2012	Dietz et al.
2010/0016785	A1	1/2010	Takuma	2012/0022530	A1	1/2012	Woodruff et al.
2010/0016852	A1	1/2010	Manzo et al.	2012/0022583	A1	1/2012	Sugalski et al.
2010/0022825	A1	1/2010	Yoshie	2012/0029546	A1	2/2012	Robertson
2010/0030233	A1	2/2010	Whitman et al.	2012/0059289	A1	3/2012	Nield et al.
2010/0030248	A1	2/2010	Palmer et al.	2012/0065628	A1	3/2012	Naito
2010/0036370	A1	2/2010	Mirel et al.	2012/0071863	A1	3/2012	Lee et al.
2010/0042077	A1	2/2010	Okada	2012/0078139	A1	3/2012	Aldridge et al.
2010/0049180	A1	2/2010	Wells et al.	2012/0078243	A1	3/2012	Worrell et al.
2010/0057118	A1	3/2010	Dietz et al.	2012/0078244	A1	3/2012	Worrell et al.
2010/0063525	A1	3/2010	Beaupre et al.	2012/0078247	A1	3/2012	Worrell et al.
2010/0063528	A1	3/2010	Beaupré	2012/0078278	A1	3/2012	Bales, Jr. et al.
2010/0069940	A1	3/2010	Miller et al.	2012/0080332	A1	4/2012	Shelton, IV et al.
2010/0106173	A1	4/2010	Yoshimine	2012/0083783	A1	4/2012	Davison et al.
2010/0158307	A1	6/2010	Kubota et al.	2012/0083784	A1	4/2012	Davison et al.
2010/0168741	A1	7/2010	Sanai et al.	2012/0101495	A1	4/2012	Young et al.
2010/0179577	A1	7/2010	Houser	2012/0101501	A1	4/2012	Nishimura et al.
2010/0187283	A1	7/2010	Crainich et al.	2012/0109159	A1	5/2012	Jordan et al.
2010/0193567	A1	8/2010	Scheib et al.	2012/0116379	A1	5/2012	Yates et al.
2010/0222714	A1	9/2010	Muir et al.	2012/0116391	A1	5/2012	Houser et al.
2010/0228264	A1	9/2010	Robinson et al.	2012/0116394	A1	5/2012	Timm et al.
2010/0234906	A1	9/2010	Koh	2012/0116395	A1	5/2012	Madan et al.
2010/0262134	A1	10/2010	Jensen et al.	2012/0123458	A1	5/2012	Giordano et al.
2010/0268211	A1	10/2010	Manwaring et al.	2012/0130256	A1	5/2012	Buysse et al.
2010/0274160	A1	10/2010	Yachi et al.	2012/0130365	A1	5/2012	McLawhorn
2010/0280407	A1	11/2010	Polster	2012/0132450	A1	5/2012	Timm et al.
2010/0292691	A1	11/2010	Brogna	2012/0136354	A1	5/2012	Rupp
2010/0298743	A1	11/2010	Nield et al.	2012/0138660	A1	6/2012	Shelton, IV
2010/0298851	A1	11/2010	Nield	2012/0143211	A1	6/2012	Kishi
2010/0331742	A1	12/2010	Masuda	2012/0150170	A1	6/2012	Buysse et al.
2010/0331869	A1	12/2010	Voegele et al.	2012/0165816	A1	6/2012	Kersten et al.
2010/0331870	A1	12/2010	Wan et al.	2012/0172873	A1	7/2012	Artale et al.
2010/0331871	A1	12/2010	Nield et al.	2012/0172904	A1	7/2012	Muir et al.
2010/0331872	A1	12/2010	Houser et al.	2012/0177005	A1	7/2012	Liang et al.
2011/0004233	A1	1/2011	Muir et al.	2012/0184946	A1	7/2012	Price et al.
2011/0009850	A1	1/2011	Main et al.	2012/0199630	A1	8/2012	Shelton, IV
2011/0015627	A1	1/2011	DiNardo et al.	2012/0199631	A1	8/2012	Shelton, IV et al.
2011/0015631	A1	1/2011	Wiener et al.	2012/0199632	A1	8/2012	Spivey et al.
2011/0015660	A1	1/2011	Wiener et al.	2012/0199633	A1	8/2012	Shelton, IV et al.
2011/0077648	A1	3/2011	Lee et al.	2012/0203143	A1	8/2012	Sanai et al.
2011/0082486	A1	4/2011	Messerly et al.	2012/0203247	A1	8/2012	Shelton, IV et al.
2011/0087212	A1	4/2011	Aldridge et al.	2012/0205421	A1	8/2012	Shelton, IV
2011/0087213	A1	4/2011	Messerly et al.	2012/0209289	A1	8/2012	Duque et al.
				2012/0209303	A1	8/2012	Frankhouser et al.
				2012/0210223	A1	8/2012	Eppolito
				2012/0211546	A1	8/2012	Shelton, IV
				2012/0215220	A1	8/2012	Manzo et al.



(56)

## References Cited

## U.S. PATENT DOCUMENTS

2012/0245582	A1	9/2012	Kimball et al.
2012/0253370	A1	10/2012	Ross et al.
2012/0259353	A1	10/2012	Houser et al.
2012/0269676	A1	10/2012	Houser et al.
2012/0289984	A1	11/2012	Houser et al.
2012/0310262	A1	12/2012	Messerly et al.
2012/0310263	A1	12/2012	Messerly et al.
2012/0310264	A1	12/2012	Messerly et al.
2012/0323265	A1	12/2012	Stulen
2012/0330307	A1	12/2012	Ladtchow et al.
2013/0012957	A1	1/2013	Shelton, IV et al.
2013/0012970	A1	1/2013	Houser
2013/0030433	A1	1/2013	Heard
2013/0035680	A1	2/2013	Ben-Haim et al.
2013/0053840	A1	2/2013	Krapohl et al.
2013/0072856	A1	3/2013	Frankhouser et al.
2013/0072857	A1	3/2013	Frankhouser et al.
2013/0079762	A1	3/2013	Twomey et al.
2013/0103023	A1	4/2013	Monson et al.
2013/0103024	A1	4/2013	Monson et al.
2013/0110145	A1	5/2013	Weitzman
2013/0123776	A1	5/2013	Monson et al.
2013/0123777	A1	5/2013	Monson et al.
2013/0123782	A1	5/2013	Trees et al.
2013/0123822	A1	5/2013	Wellman et al.
2013/0131660	A1	5/2013	Monson et al.
2013/0165929	A1	6/2013	Muir et al.
2013/0217967	A1	8/2013	Mohr et al.
2013/0253498	A1	9/2013	Germain et al.
2013/0274734	A1	10/2013	Maass et al.
2013/0282038	A1	10/2013	Dannaher et al.
2013/0296908	A1	11/2013	Schulte et al.
2013/0338661	A1	12/2013	Behnke, II
2013/0345689	A1	12/2013	Ruddenklau et al.
2014/0005640	A1	1/2014	Shelton, IV et al.
2014/0005653	A1	1/2014	Shelton, IV et al.
2014/0005656	A1	1/2014	Mucilli et al.
2014/0005661	A1	1/2014	Shelton, IV et al.
2014/0005662	A1	1/2014	Shelton, IV et al.
2014/0005676	A1	1/2014	Shelton, IV et al.
2014/0005680	A1	1/2014	Shelton, IV et al.
2014/0005681	A1	1/2014	Gee et al.
2014/0005702	A1	1/2014	Timm et al.
2014/0005705	A1	1/2014	Weir et al.
2014/0005708	A1	1/2014	Shelton, IV et al.
2014/0005718	A1	1/2014	Shelton, IV et al.
2014/0012299	A1	1/2014	Stoddard et al.
2014/0066962	A1	3/2014	Robertson et al.
2014/0087569	A1	3/2014	Lee
2014/0107538	A1	4/2014	Wiener et al.
2014/0114327	A1	4/2014	Boudreaux et al.
2014/0135804	A1	5/2014	Weisenburgh, II et al.
2014/0155921	A1	6/2014	Price et al.
2014/0180280	A1	6/2014	Sigmon, Jr.
2014/0243864	A1	8/2014	Voegele et al.
2014/0276970	A1	9/2014	Messerly et al.
2015/0045819	A1	2/2015	Houser et al.
2015/0066067	A1	3/2015	Stulen
2015/0073460	A1	3/2015	Stulen
2015/0112335	A1	4/2015	Boudreaux et al.
2015/0119914	A1	4/2015	Neurohr et al.
2015/0119915	A1	4/2015	Neurohr et al.
2015/0119916	A1	4/2015	Dietz et al.
2015/0123348	A1	5/2015	Robertson et al.
2015/0157355	A1	6/2015	Price et al.
2015/0157356	A1	6/2015	Gee
2015/0164533	A1	6/2015	Felder et al.
2015/0164534	A1	6/2015	Felder et al.
2015/0164535	A1	6/2015	Felder et al.
2015/0164536	A1	6/2015	Czarnecki et al.
2015/0164537	A1	6/2015	Cagle et al.
2015/0164538	A1	6/2015	Aldridge et al.
2015/0182251	A1	7/2015	Messerly et al.
2015/0182276	A1	7/2015	Wiener et al.
2015/0182277	A1	7/2015	Wiener et al.
2015/0196318	A1	7/2015	Messerly et al.
2015/0250495	A1	9/2015	Robertson et al.
2015/0257780	A1	9/2015	Houser
2015/0257781	A1	9/2015	Houser et al.
2015/0265308	A1	9/2015	Houser et al.
2015/0327883	A1	11/2015	Messerly et al.
2015/0328484	A1	11/2015	Messerly et al.
2015/0340586	A1	11/2015	Wiener et al.
2015/0351789	A1	12/2015	Robertson et al.
2016/0030076	A1	2/2016	Faller et al.
2016/0089209	A1	3/2016	Parihar et al.
2016/0089533	A1	3/2016	Turner et al.
2016/0095617	A1	4/2016	Price et al.
2016/0106509	A1	4/2016	Worrell et al.
2016/0120563	A1	5/2016	Messerly et al.
2016/0144204	A1	5/2016	Akagane
2016/0192999	A1	7/2016	Stulen et al.
2016/0206342	A1	7/2016	Robertson et al.
2016/0262786	A1	9/2016	Madan et al.
2016/0296249	A1	10/2016	Robertson
2016/0296250	A1	10/2016	Olson et al.
2016/0296251	A1	10/2016	Olson et al.
2016/0296252	A1	10/2016	Olson et al.
2016/0317217	A1	11/2016	Batross et al.
2016/0367281	A1	12/2016	Gee et al.
2017/0143371	A1	5/2017	Witt et al.
2017/0143877	A1	5/2017	Witt et al.
2017/0196586	A1	7/2017	Witt et al.
2017/0196587	A1	7/2017	Witt et al.
2017/0202573	A1	7/2017	Witt et al.

## FOREIGN PATENT DOCUMENTS

CN	1253485	A	5/2000
CN	2460047	Y	11/2001
CN	1634601	A	7/2005
CN	1640365	A	7/2005
CN	1694649	A	11/2005
CN	1775323	A	5/2006
CN	1922563	A	2/2007
CN	1951333	A	4/2007
CN	101035482	A	9/2007
CN	101040799	A	9/2007
CN	101467917	A	1/2009
CN	101396300	A	4/2009
CN	101674782	A	3/2010
CN	101883531	A	11/2010
CN	202027624	U	11/2011
CN	101313865	A	1/2013
CN	1233944	A	8/2017
CN	102160045	A	8/2017
DE	3904558	A1	8/1990
DE	4323585	A1	1/1995
DE	9210327	U1	1/1995
DE	19608716	C1	4/1997
DE	20021619	U1	3/2001
DE	10042606	A1	8/2001
EP	0136855	B1	9/1984
EP	0171967	A2	2/1986
EP	1839599	A1	10/1987
EP	0336742	A2	4/1989
EP	0342448	A1	11/1989
EP	0424685	B1	5/1991
EP	0443256	A1	8/1991
EP	0456470	A1	11/1991
EP	0238667	B1	11/1992
EP	0677275	A2	3/1995
EP	0482195	B1	1/1996
EP	0598976	A2	1/1996
EP	0695535	A1	2/1996
EP	0741996	A2	11/1996
EP	0612570	B1	6/1997
EP	0612570	B1	9/1997
EP	1138264	A1	10/2001
EP	0908148	81	1/2002
EP	0908148	B1	1/2002
EP	1229515	A2	8/2002
EP	2002-263579	A	9/2002
EP	1285634	A1	2/2003



(56)

## References Cited

## FOREIGN PATENT DOCUMENTS

EP	0908155	B1	6/2003	JP	H 01-198540	A	8/1989
EP	1108394	A2	6/2003	JP	02-71510	U	5/1990
EP	0705570	B1	4/2004	JP	H 02-71510	U	5/1990
EP	0765637	B1	7/2004	JP	2-286149	A	11/1990
EP	0870473	B1	9/2005	JP	H 02-286149	A	11/1990
EP	0624346	B1	11/2005	JP	H 02-292193	A	12/1990
EP	1594209	A1	11/2005	JP	H 03-37061	A	2/1991
EP	1199044	B1	12/2005	JP	04-25707	U	2/1992
EP	1609428	A1	12/2005	JP	H 04-25707	U	2/1992
EP	1199043	B1	3/2006	JP	H 04-64351	A	2/1992
EP	1433425	B1	6/2006	JP	4-30508	U	3/1992
EP	1256323	B1	9/2006	JP	H 04-30508	U	3/1992
EP	1698289	A2	9/2006	JP	H 04-150847	A	5/1992
EP	1704824	A1	9/2006	JP	H 04-152942	A	5/1992
EP	1749479	A1	2/2007	JP	05-095955	A	4/1993
EP	1815950	A1	8/2007	JP	H 05-115490	A	5/1993
EP	1844720	A1	10/2007	JP	H 06-70938	A	3/1994
EP	1862133	A1	12/2007	JP	6-104503	A	4/1994
EP	1875875	A1	1/2008	JP	H 06-104503	A	4/1994
EP	1199045	B1	6/2008	JP	6-507081	A	8/1994
EP	1964530	A1	9/2008	JP	H 06-217988	A	8/1994
EP	1972264	A1	9/2008	JP	H 06-507081	A	8/1994
EP	1974771	A1	10/2008	JP	H 07-500514	A	1/1995
EP	1435852	B1	12/2008	JP	H 7-508910	A	10/1995
EP	1498082	B1	12/2008	JP	7-308323	A	11/1995
EP	1707131	B1	12/2008	JP	H 07-308323	A	11/1995
EP	1997438	A2	12/2008	JP	8-24266	A	1/1996
EP	1477104	B1	1/2009	JP	H 08-24266	A	1/1996
EP	2014218	A2	1/2009	JP	8-275951	A	10/1996
EP	2042112	A2	4/2009	JP	H 08-275951	A	10/1996
EP	1832259	B1	6/2009	JP	H 08-299351	A	11/1996
EP	2074959	A1	7/2009	JP	H 08-336544	A	12/1996
EP	2106758	A1	10/2009	JP	H 08-336545	A	12/1996
EP	2111813	A1	10/2009	JP	H 09-503146	A	3/1997
EP	2200145	A1	6/2010	JP	H 09-135553	A	5/1997
EP	1214913	B1	7/2010	JP	H 09-140722	A	6/1997
EP	2238938	A1	10/2010	JP	H 09-503146	A	6/1997
EP	2298154	A2	3/2011	JP	H 10-5237	A	1/1998
EP	1510178	B1	6/2011	JP	10-295700	A	11/1998
EP	1946708	B1	6/2011	JP	H 10-295700	A	11/1998
EP	2305144	A1	6/2011	JP	H 11-501543	A	2/1999
EP	2335630	A1	6/2011	JP	H 11-128238	A	5/1999
EP	1502551	B1	7/2011	JP	H 11-192235	A	7/1999
EP	2361562	A1	8/2011	JP	11-253451	A	9/1999
EP	2365608	A2	9/2011	JP	H 11-253451	A	9/1999
EP	2420197	A2	2/2012	JP	H 11-318918	A	11/1999
EP	2422721	A2	2/2012	JP	2000-041991	A	2/2000
EP	1927321	B1	4/2012	JP	2000-070279	A	3/2000
EP	2510891	A1	10/2012	JP	2000-210299	A	8/2000
EP	2316359	B1	3/2013	JP	2000-271145	A	10/2000
EP	1586275	B1	5/2013	JP	2000-287987	A	10/2000
EP	1616529	B1	9/2013	JP	2001-029353	A	2/2001
EP	2583633	B1	10/2014	JP	2001-502216	A	2/2001
EP	2113210	B1	3/2016	JP	2001-309925	A	11/2001
EP	2227155	B1	7/2016	JP	2002-177295	A	6/2002
EP	2859858	B1	12/2016	JP	2002-186901	A	7/2002
ES	2115068	T3	6/1998	JP	2002-204808	A	7/2002
GB	1482943	A	8/1977	JP	2002-238919	A	8/2002
GB	2032221	A	4/1980	JP	2002-263579	A	9/2002
GB	S 59141938	A	8/1984	JP	2002-301086	A	10/2002
GB	2317566	A	4/1998	JP	2002-306504	A	10/2002
GB	2379878	B	11/2004	JP	2002-330977	A	11/2002
GB	2447767	B	8/2011	JP	2002-542690	A	12/2002
JP	S 50-100891	A	8/1975	JP	2003-000612	A	1/2003
JP	S 59-68513	U	5/1984	JP	2003-010201		1/2003
JP	S 62-221343	A	9/1987	JP	2003-510158	A	3/2003
JP	S 62-227343	A	10/1987	JP	2003-116870	A	4/2003
JP	62-292153	A	12/1987	JP	2003-126104	A	5/2003
JP	62-2292153	A	12/1987	JP	2003-126110	A	5/2003
JP	S 62-292154	A	12/1987	JP	2003-153919	A	5/2003
JP	63-109386	A	5/1988	JP	2003-310627	A	5/2003
JP	S 63-109386	A	5/1988	JP	2003-530921	A	10/2003
JP	63-315049	A	12/1988	JP	2003-339730	A	12/2003
JP	S 63-315049	A	12/1988	JP	2004-129871	A	4/2004
JP	H 01-151452	A	6/1989	JP	2004-147701	A	5/2004
				JP	2005027026		1/2005
				JP	2005027026	A	1/2005
				JP	2005-040222	A	2/2005
				JP	2005-066316	A	3/2005



(56)

## References Cited

FOREIGN PATENT DOCUMENTS

JP 2005-074088 A 3/2005  
 JP 2005-507679 A 3/2005  
 JP 2005-534451 A 11/2005  
 JP 2006-006410 A 1/2006  
 JP 2006-512149 A 4/2006  
 JP 2006-116194 A 5/2006  
 JP 2006-158525 A 6/2006  
 JP 2006-218296 A 8/2006  
 JP 2006217716 8/2006  
 JP 2006217716 A 8/2006  
 JP 2006-288431 A 10/2006  
 JP 2007-050181 A 3/2007  
 JP 2007-524459 A 8/2007  
 JP 2007-229454 A 9/2007  
 JP 2007-527747 A 10/2007  
 JP 2007-296369 A 11/2007  
 JP 2008-036390 A 2/2008  
 JP 2008-508065 A 3/2008  
 JP 2008-119250 A 5/2008  
 JP 2008-515562 A 5/2008  
 JP 2008-521503 A 5/2008  
 JP 2008-536562 A 6/2008  
 JP D1339835 S 8/2008  
 JP 2008-212679 A 9/2008  
 JP 2008-284374 A 11/2008  
 JP 2009-511206 A 3/2009  
 JP 2009-082711 A 4/2009  
 JP 2009-517181 A 4/2009  
 JP 4262923 B2 5/2009  
 JP 2009-523567 A 6/2009  
 JP 2009-148557 A 7/2009  
 JP 2009-236177 A 10/2009  
 JP 2009-254819 A 11/2009  
 JP 2010-000336 A 1/2010  
 JP 2010-009686 A 1/2010  
 JP 2010-514923 A 5/2010  
 JP 2010-121865 A 6/2010  
 JP 2010-534522 A 11/2010  
 JP 2010-540186 A 12/2010  
 JP 2011-505198 A 2/2011  
 JP 2012/075899 A 4/2012  
 JP 2012-235658 A 11/2012  
 JP 5208761 B2 6/2013  
 JP 2015-515339 A 5/2015  
 JP 5714508 B2 5/2015  
 JP 5836543 B1 12/2015  
 KR 100789356 B1 12/2007  
 RU 2154437 C1 8/2000  
 RU 22035 U1 3/2002  
 RU 2304934 C2 8/2007  
 RU 2405603 C1 12/2010  
 SU 850068 A1 7/1981  
 WO WO 92/22259 A2 12/1992  
 WO WO 93/08757 5/1993  
 WO WO 93/08757 A1 5/1993  
 WO WO 93/14708 A1 8/1993  
 WO WO 93/16646 A1 9/1993  
 WO WO 93/20877 A1 10/1993  
 WO WO 9400059 A1 1/1994  
 WO WO 94/21183 9/1994  
 WO WO 94/21183 A1 9/1994  
 WO WO 94/24949 11/1994  
 WO WO 94/24949 A1 11/1994  
 WO WO 95/09572 A1 4/1995  
 WO WO 95/34259 A1 12/1995  
 WO WO 96/30885 A1 10/1996  
 WO WO 96/39086 12/1996  
 WO WO 96/39086 A1 12/1996  
 WO WO 98/16156 A1 4/1998  
 WO WO 98/26739 A1 6/1998  
 WO WO 98/35621 A1 8/1998  
 WO WO 98/37815 A1 9/1998  
 WO WO 98/47436 A1 10/1998  
 WO WO 99/20213 4/1999  
 WO WO 99/20213 A1 4/1999

WO WO 99/52489 A1 10/1999  
 WO WO 00/64358 A2 11/2000  
 WO WO 00/745585 A2 12/2000  
 WO WO 01/24713 A1 4/2001  
 WO WO 01/54590 A1 8/2001  
 WO WO 01/67970 A1 9/2001  
 WO WO 01/95810 A2 12/2001  
 WO WO 02/24080 A2 3/2002  
 WO WO 02/38057 A1 5/2002  
 WO WO 02/062241 A1 8/2002  
 WO WO 03/082133 A1 10/2003  
 WO WO 2004/012615 A1 2/2004  
 WO WO 2004/032754 A2 2/2004  
 WO WO 2004/026104 A2 4/2004  
 WO WO 2004/032762 A1 4/2004  
 WO WO 2004/032763 A2 4/2004  
 WO WO 2004/037095 A2 5/2004  
 WO WO 2004/060141 A2 7/2004  
 WO WO 2004/098426 A1 11/2004  
 WO WO 2004/112618 A2 12/2004  
 WO WO 2005/117735 A1 12/2005  
 WO WO 2005/122917 A1 12/2005  
 WO WO 2006/012797 A1 2/2006  
 WO WO 2006/042210 A2 4/2006  
 WO WO 2006/058223 A2 6/2006  
 WO WO 2006/063199 A2 6/2006  
 WO WO 2006/083988 A1 8/2006  
 WO WO 2006/101661 A2 9/2006  
 WO WO 2006/119139 A2 11/2006  
 WO WO 2006/119376 A2 11/2006  
 WO WO 2006/129465 A1 12/2006  
 WO WO 2007/008703 A2 1/2007  
 WO WO 2007/008710 A2 1/2007  
 WO WO 2007/038538 A1 4/2007  
 WO WO 2007/040818 A1 4/2007  
 WO WO 2007/047380 A2 4/2007  
 WO WO 2007/047531 A2 4/2007  
 WO WO 2007/056590 A1 5/2007  
 WO WO 2007/087272 A2 8/2007  
 WO WO 2007/089724 A2 8/2007  
 WO WO 2007/143665 A2 12/2007  
 WO WO 2008/016886 A2 2/2008  
 WO WO 2008/042021 A1 4/2008  
 WO WO 2008/049084 A2 4/2008  
 WO WO 2008/051764 A2 5/2008  
 WO WO 2008/089174 A2 7/2008  
 WO WO 2008/118709 A1 10/2008  
 WO WO 2008/130793 A1 10/2008  
 WO WO 2009/010565 A1 1/2009  
 WO WO 2009/018067 A1 2/2009  
 WO WO 2009/018406 A2 2/2009  
 WO WO 2009/027065 A1 3/2009  
 WO WO 2009/046234 A2 4/2009  
 WO WO 2009/073402 A2 6/2009  
 WO WO 2009/088550 A2 7/2009  
 WO WO 2009/120992 A2 10/2009  
 WO WO 2009/141616 A1 11/2009  
 WO WO 2010/017149 A1 2/2010  
 WO WO 2010/068783 A1 6/2010  
 WO WO 2011/008672 A2 1/2011  
 WO WO 2011/044338 A2 4/2011  
 WO WO 2011/052939 A2 5/2011  
 WO WO 2011/060031 A1 5/2011  
 WO WO 2011/100321 A2 8/2011  
 WO WO 2011/144911 A1 11/2011  
 WO WO 2012/044597 A1 4/2012  
 WO WO 2012/061722 A2 5/2012  
 WO WO 2012/128362 A1 9/2012  
 WO WO 2012/135705 A1 10/2012  
 WO WO 2012/135721 A1 10/2012  
 WO WO 2013/018934 A1 2/2013  
 WO WO 2013/062978 A2 5/2013  
 WO WO 2014/092108 A1 6/2014  
 WO WO 2016/009921 A1 12/2016

## OTHER PUBLICATIONS

<http://www.dotmed.com/listing/electrosurgical-unit/ethicon/ultracision-g110-/1466724>.



(56)

## References Cited

## OTHER PUBLICATIONS

- Sullivan, "Cost-Constrained Selection of Strand Diameter and Number in a Litz-Wire Transformer Winding," IEEE Transactions on Power Electronics, vol. 16, No. 2, Mar. 2001, pp. 281-288.
- Sullivan, "Optimal Choice for No. of Strands in a Litz-Wire Transformer Winding," IEEE Transactions on Power Electronics, vol. 14, No. 2, Mar. 1999, pp. 283-291.
- Graff, K.F., "Elastic Wave Propagation in a Curved Sonic Transmission Line," IEEE Transactions on Sonics and Ultrasonics, SU-17(1), 1-6 (1970).
- Makarov, S. N., Ochmann, M., Desinger, K., "The longitudinal vibration response of a curved fiber used for laser ultrasound surgical therapy," Journal of the Acoustical Society of America 102, 1191-1199 (1997).
- Morley, L. S. D., "Elastic Waves in a Naturally Curved Rod," Quarterly Journal of Mechanics and Applied Mathematics, 14: 155-172 (1961).
- Walsh, S. J., White, R. G., "Vibrational Power Transmission in Curved Beams," Journal of Sound and Vibration, 233(3), 455-488 (2000).
- Covidien 501(k) Summary Sonication, dated Feb. 24, 2011 (7 pages).
- Gerhard, Glen C., "Surgical Electrotechnology: Quo Vadis?," IEEE Transactions on Biomedical Engineering, vol. BME-31, No. 12, pp. 787-792, Dec. 1984.
- Fowler, K.R., "A Programmable, Arbitrary Waveform Electrosurgical Device," IEEE Engineering in Medicine and Biology Society 10th Annual International Conference, pp. 1324, 1325 (1988).
- LaCourse, J.R.; Vogt, M.C.; Miller, W.T., III; Selikowitz, S.M., "Spectral Analysis Interpretation of Electrosurgical Generator Nerve and Muscle Stimulation," IEEE Transactions on Biomedical Engineering, vol. 35, No. 7, pp. 505-509, Jul. 1988.
- Partial European Search Report for 12187105.7, dated Jan. 31, 2013 (7 pages).
- U.S. Appl. No. 13/151,181, filed Jun. 2, 2011.
- U.S. Appl. No. 13/369,561, filed Feb. 9, 2012.
- U.S. Appl. No. 13/369,569, filed Feb. 9, 2012.
- U.S. Appl. No. 13/369,578, filed Feb. 9, 2012.
- U.S. Appl. No. 13/369,584, filed Feb. 9, 2012.
- U.S. Appl. No. 13/369,588, filed Feb. 9, 2012.
- U.S. Appl. No. 13/369,594, filed Feb. 9, 2012.
- U.S. Appl. No. 13/369,601, filed Feb. 9, 2012.
- U.S. Appl. No. 13/369,609, filed Feb. 9, 2012.
- U.S. Appl. No. 13/369,629, filed Feb. 9, 2012.
- U.S. Appl. No. 13/369,666, filed Feb. 9, 2012.
- U.S. Appl. No. 13/584,020, filed Aug. 13, 2012.
- U.S. Appl. No. 13/584,445, filed Aug. 13, 2012.
- Partial International Search Report for PCT/US2010/051787, Feb. 17, 2011 (3 pages).
- International Search Report for PCT/US2010/051787, Aug. 26, 2011 (11 pages).
- Technology Overview, printed from www.harmonicscalpel.com, Internet site, website accessed on Jun. 13, 2007, (3 pages).
- Sherrit et al., "Novel Horn Designs for Ultrasonic/Sonic Cleaning Welding, Soldering, Cutting and Drilling," Proc. SPIE Smart Structures Conference, vol. 4701, Paper No. 34, San Diego, CA, pp. 353-360, Mar. 2002.
- AST Products, Inc., "Principles of Video Contact Angle Analysis," 20 pages, (2006).
- Lim et al., "A Review of Mechanism Used in Laparoscopic Surgical Instruments," Mechanism and Machine Theory, vol. 38, pp. 1133-1147, (2003).
- Gooch et al., "Recommended Infection-Control Practices for Dentistry, 1993," Published: May 28, 1993; [retrieved on Aug. 23, 2008]. Retrieved from the internet: URL: <http://wonder.cdc.gov/wonder/prevguid/p0000191/p0000191.asp> (15 pages).
- Huston et al., "Magnetic and Magnetostrictive Properties of Cube Textured Nickel for Magnetostrictive Transducer Applications," IEEE Transactions on Magnetics, vol. 9(4), pp. 636-640 (Dec. 1973).
- Incropera et al., Fundamentals of Heat and Mass Transfer, Wiley, New York (1990). (Book—not attached).
- F. A. Duck, "Optical Properties of Tissue Including Ultraviolet and Infrared Radiation," pp. 43-71 in *Physical Properties of Tissue* (1990).
- Orr et al., "Overview of Bioheat Transfer," pp. 367-384 in *Optical-Thermal Response of Laser-Irradiated Tissue*, A. J. Welch and M. J. C. van Gemert, eds., Plenum, New York (1995).
- Campbell et al., "Thermal Imaging in Surgery," p. 19-3, in *Medical Infrared Imaging*, N. A. Diakides and J. D. Bronzino, Eds. (2008).
- U.S. Appl. No. 29/402,697, filed Sep. 26, 2011.
- U.S. Appl. No. 29/402,699, filed Sep. 26, 2011.
- U.S. Appl. No. 29/402,700, filed Sep. 26, 2011.
- U.S. Appl. No. 29/402,701, filed Sep. 26, 2011.
- U.S. Appl. No. 29/404,676, filed Oct. 24, 2011.
- U.S. Appl. No. 13/452,386, filed Apr. 20, 2012.
- European Search Report for 12187105.7, dated May 23, 2013 (10 pages).
- U.S. Appl. No. 14/136,836, filed Dec. 20, 2013.
- Gerhard, Glen C., "Surgical Electrotechnology: Quo Vadis?," Biomedical Engineering, IEEE Transactions on, vol. BME-31, No. 12, pp. 787, 792, Dec. 1984.
- Fowler, K.R., "A programmable, arbitrary waveform electrosurgical device," Engineering in Medicine and Biology Society, 1988. Proceedings of the Annual International Conference of the IEEE, vol., no., pp. 1324, 1325 vol. 3, Nov. 4-7, 1988.
- LaCourse, J.R.; Vogt, M.C.; Miller, W.T., III; Selikowitz, S.M., "Spectral analysis interpretation of electro-surgical generator nerve and muscle stimulation," Biomedical Engineering, IEEE Transactions on, vol. 35, No. 7, pp. 505, 509, Jul. 1988.
- International Preliminary Report on Patentability for PCT/US2010/051787, Apr. 11, 2012 (27 pages).
- <http://www.apicalinstr.com/generators.htm>.
- <http://www.dotmed.com/listing/electrosurgical-unit/ethicon/ultracision-g110-/41466724>.
- <http://www.ethicon.com/gb-en/healthcare-professionals/products/energy-devices/capital/ge> . . . .
- <http://www.4-traders.com/JOHNSON-JOHNSON-4832/news/Johnson-Johnson-Ethicon-E> . . . .
- <http://www.medicaexpo.com/medical-manufacturer/electrosurgical-generator-6951.html>.
- [http://www.megadyne.com/es\\_generator.php](http://www.megadyne.com/es_generator.php).
- <http://www.valleylab.com/product/es/generators/index.html>.
- International Preliminary Report on Patentability for PCT/US2013/036568, Oct. 21, 2014 (10 pages).
- International Search Report for PCT/US2013/036568, dated Nov. 11, 2013 (7 pages).
- Partial European Search Report for 14194795.2, dated May 26, 2015 (7 pages).

\* cited by examiner



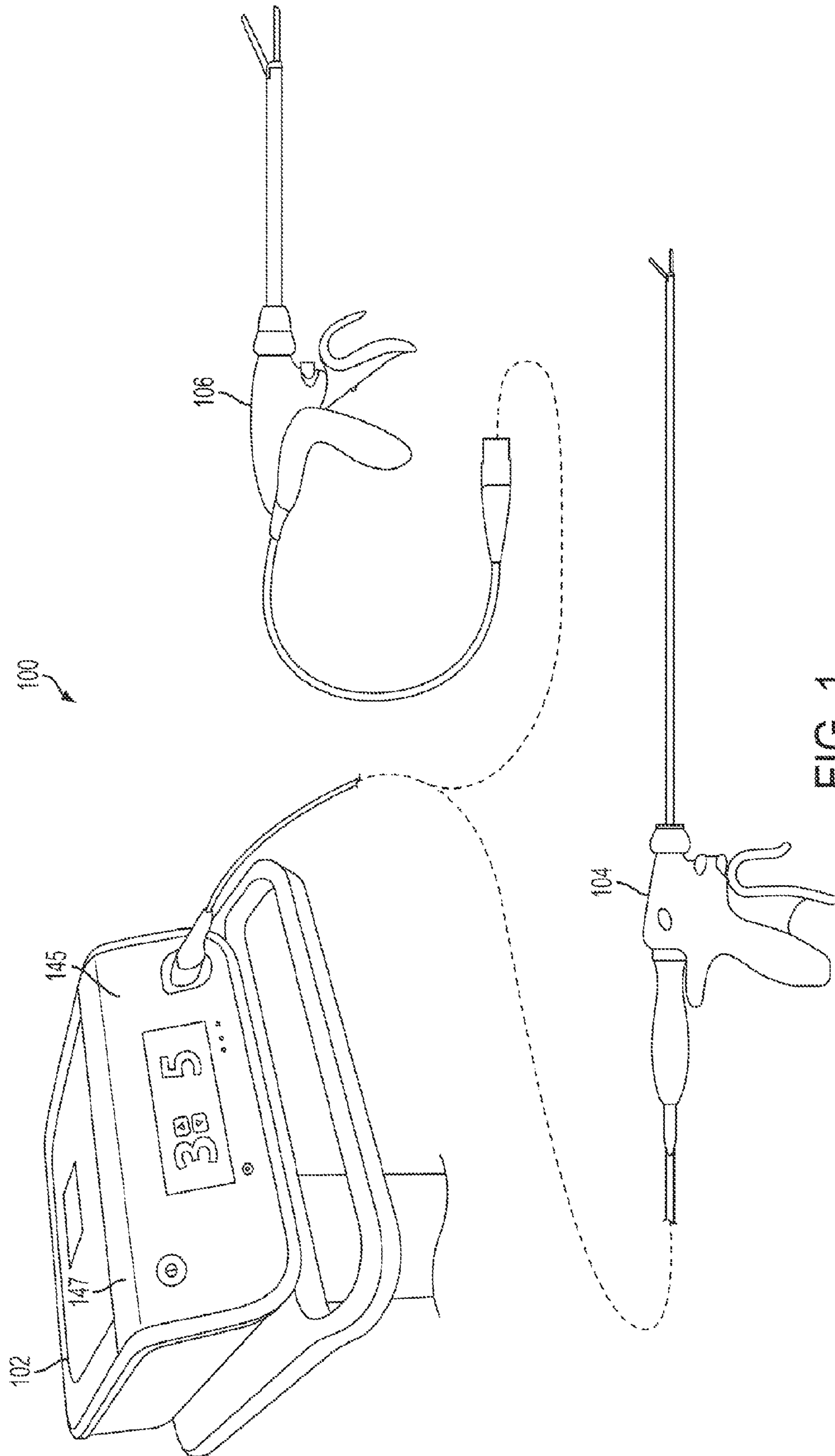


FIG. 1



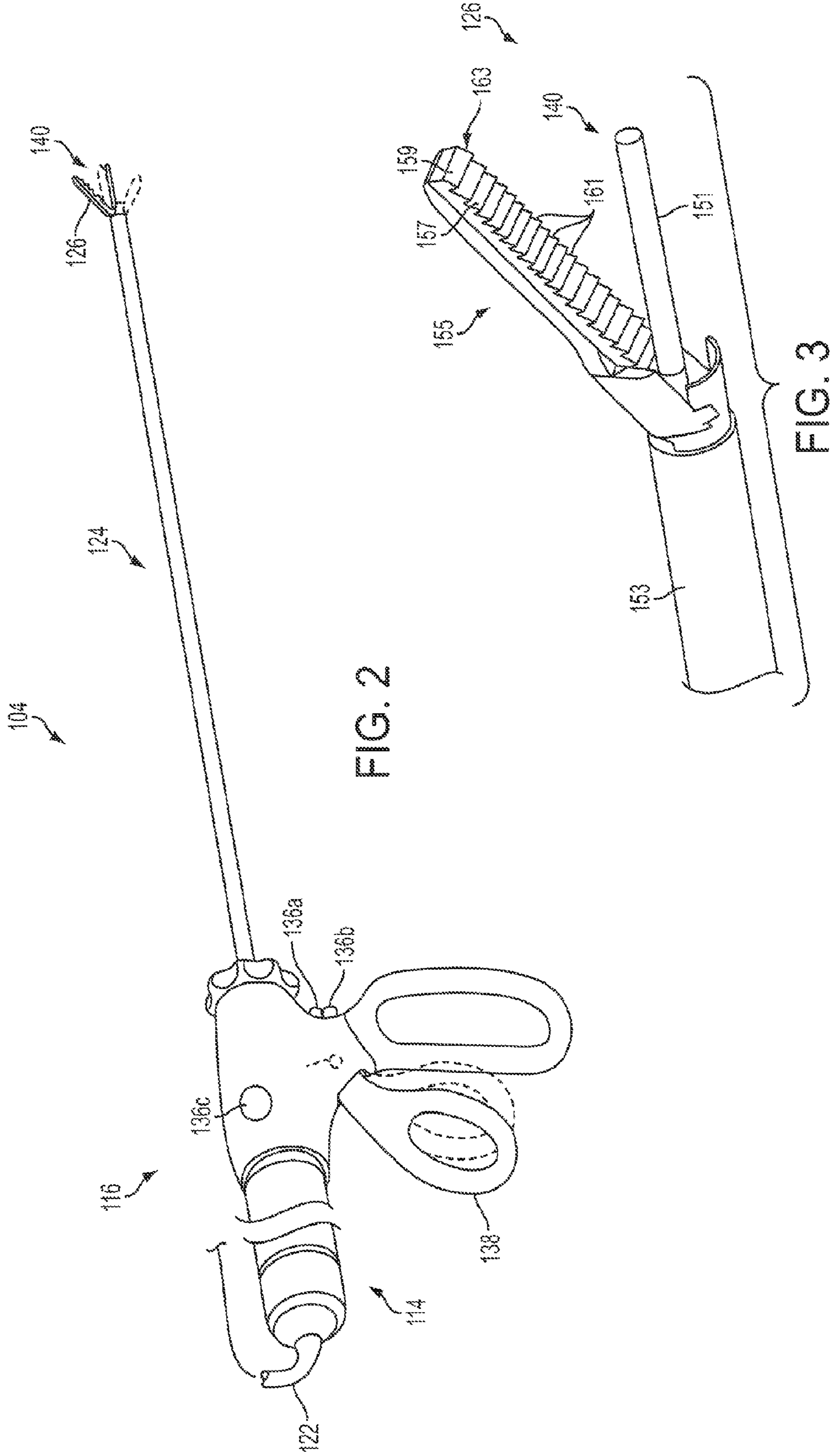
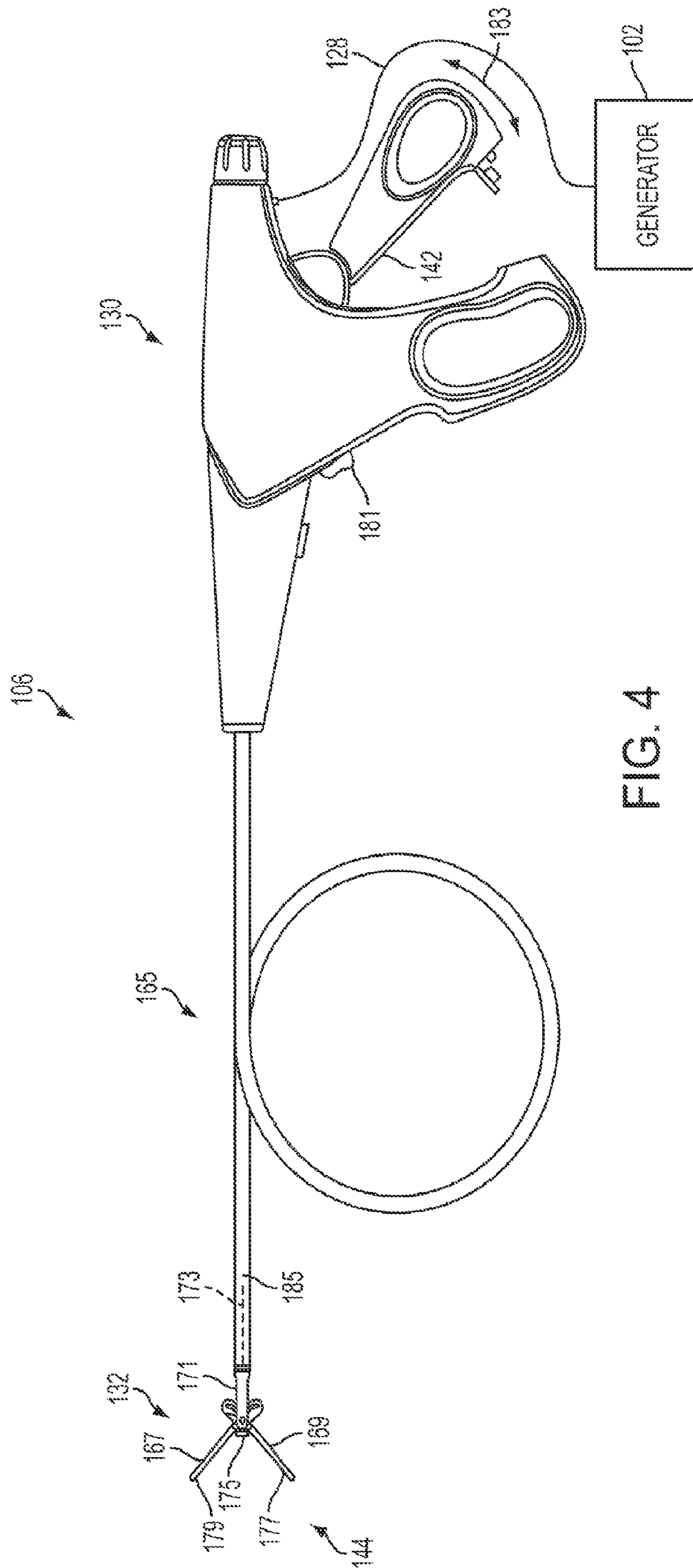


FIG. 2

FIG. 3







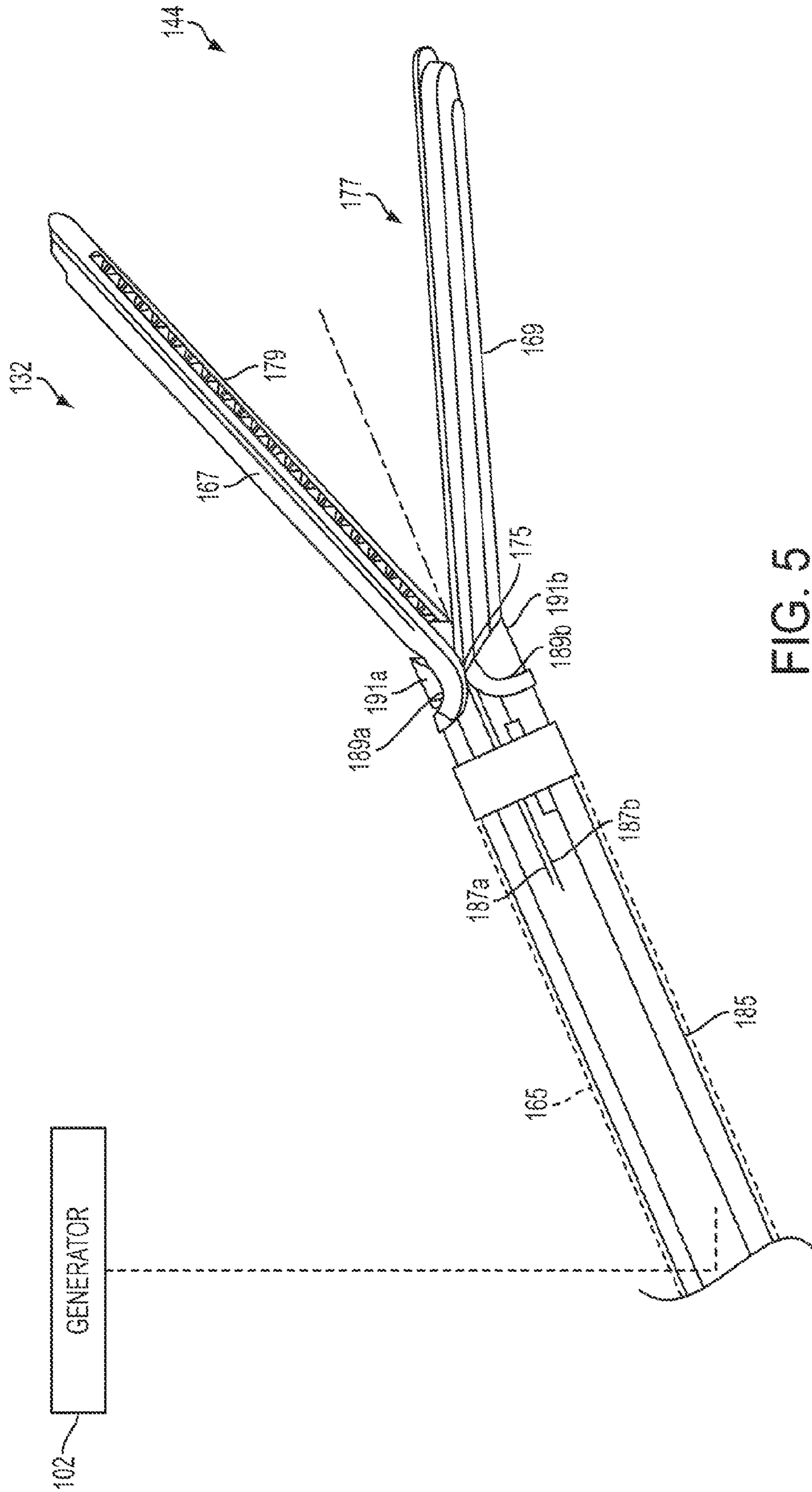


FIG. 5



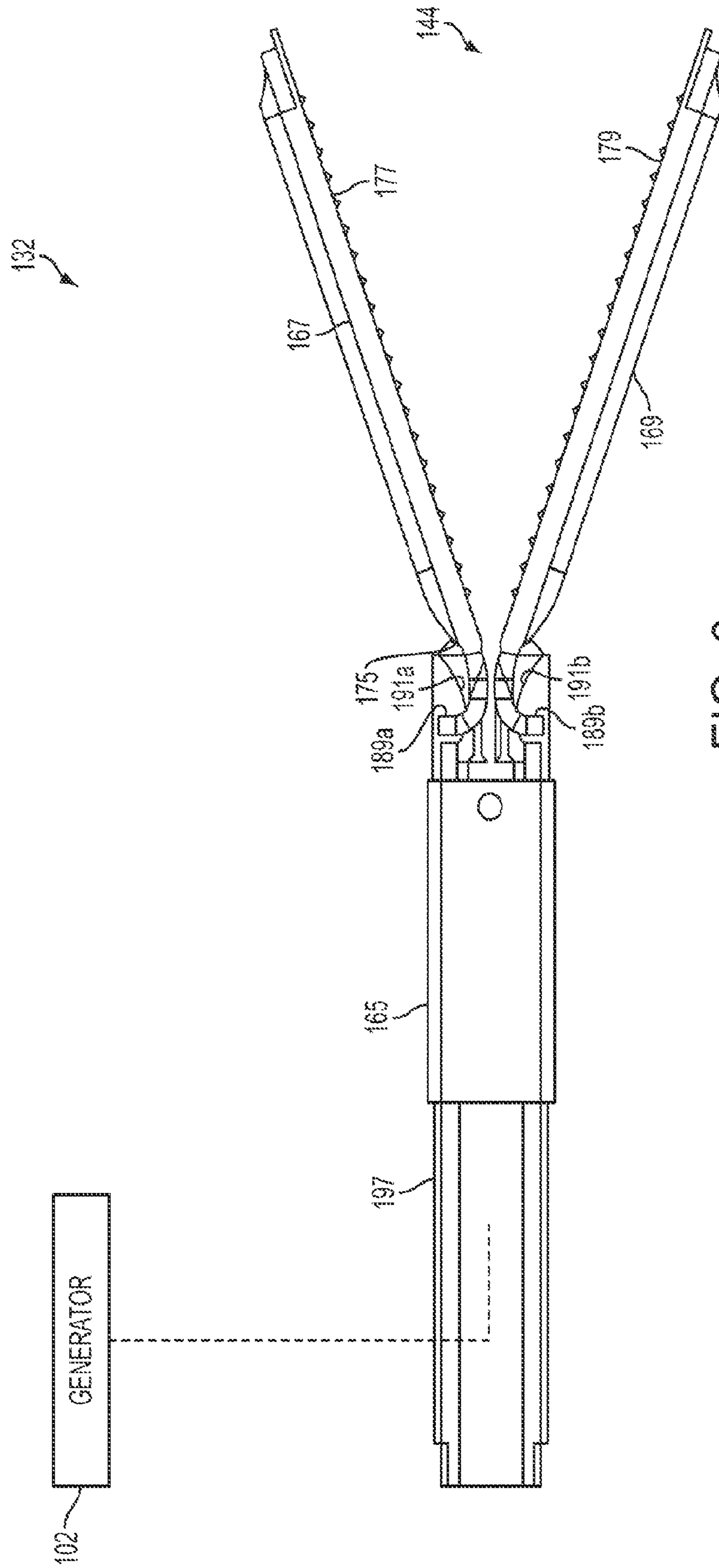


FIG. 6



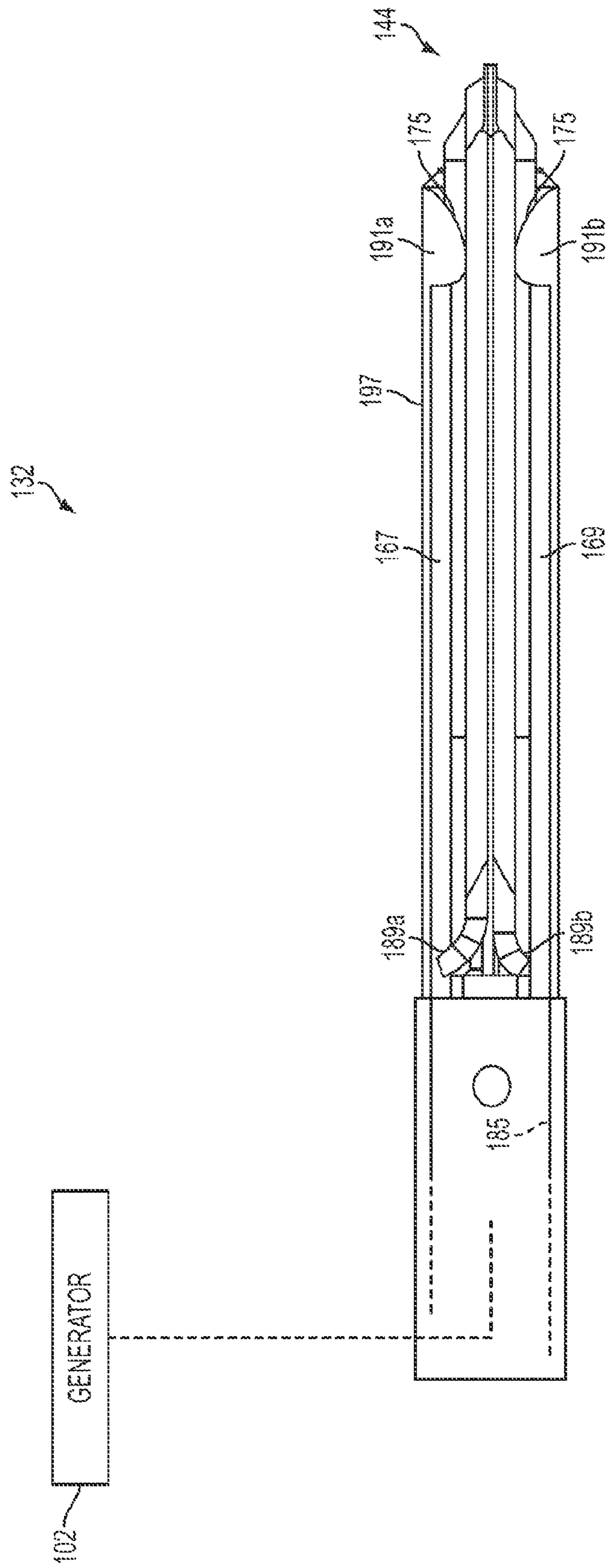


FIG. 7



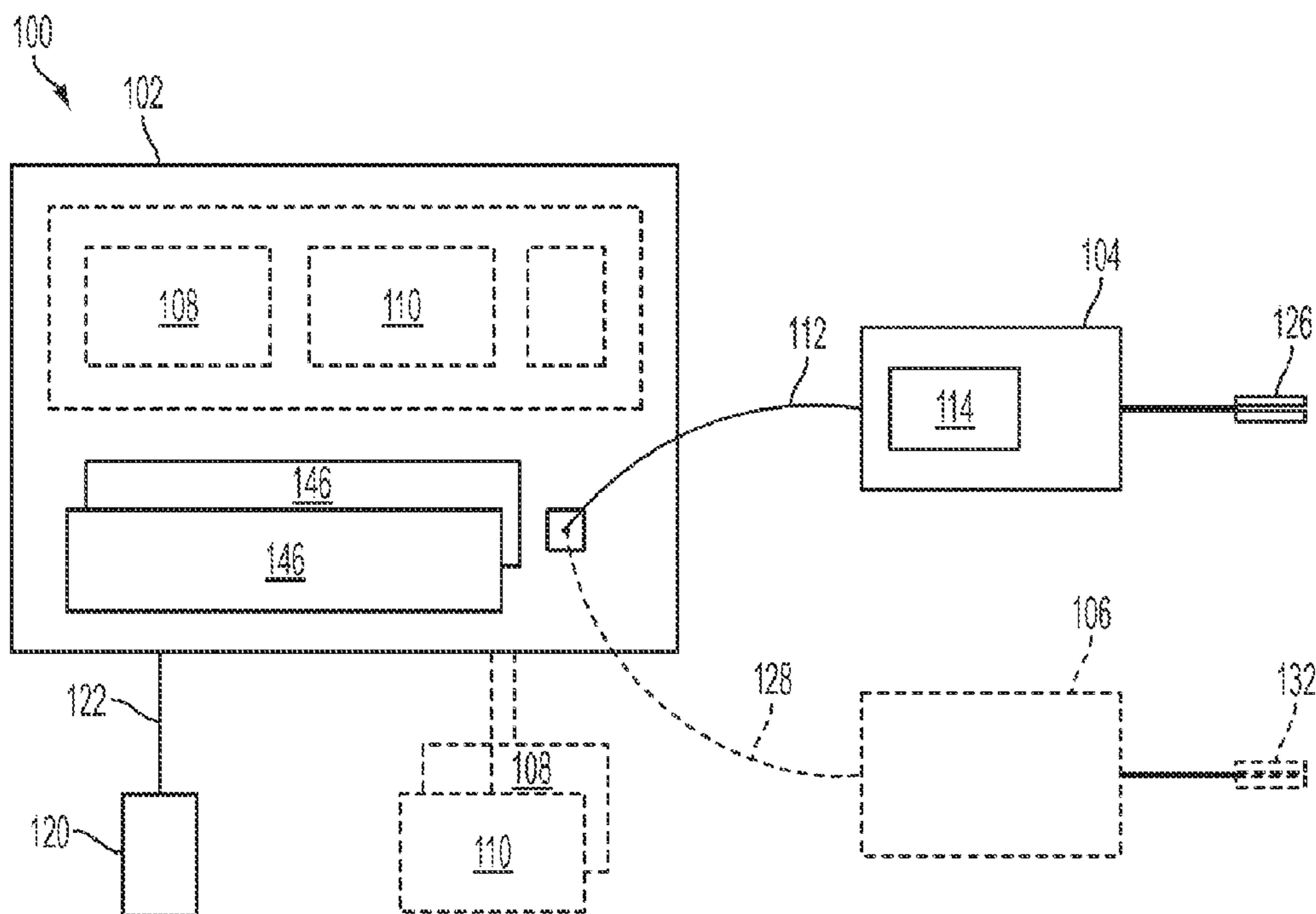


FIG. 8

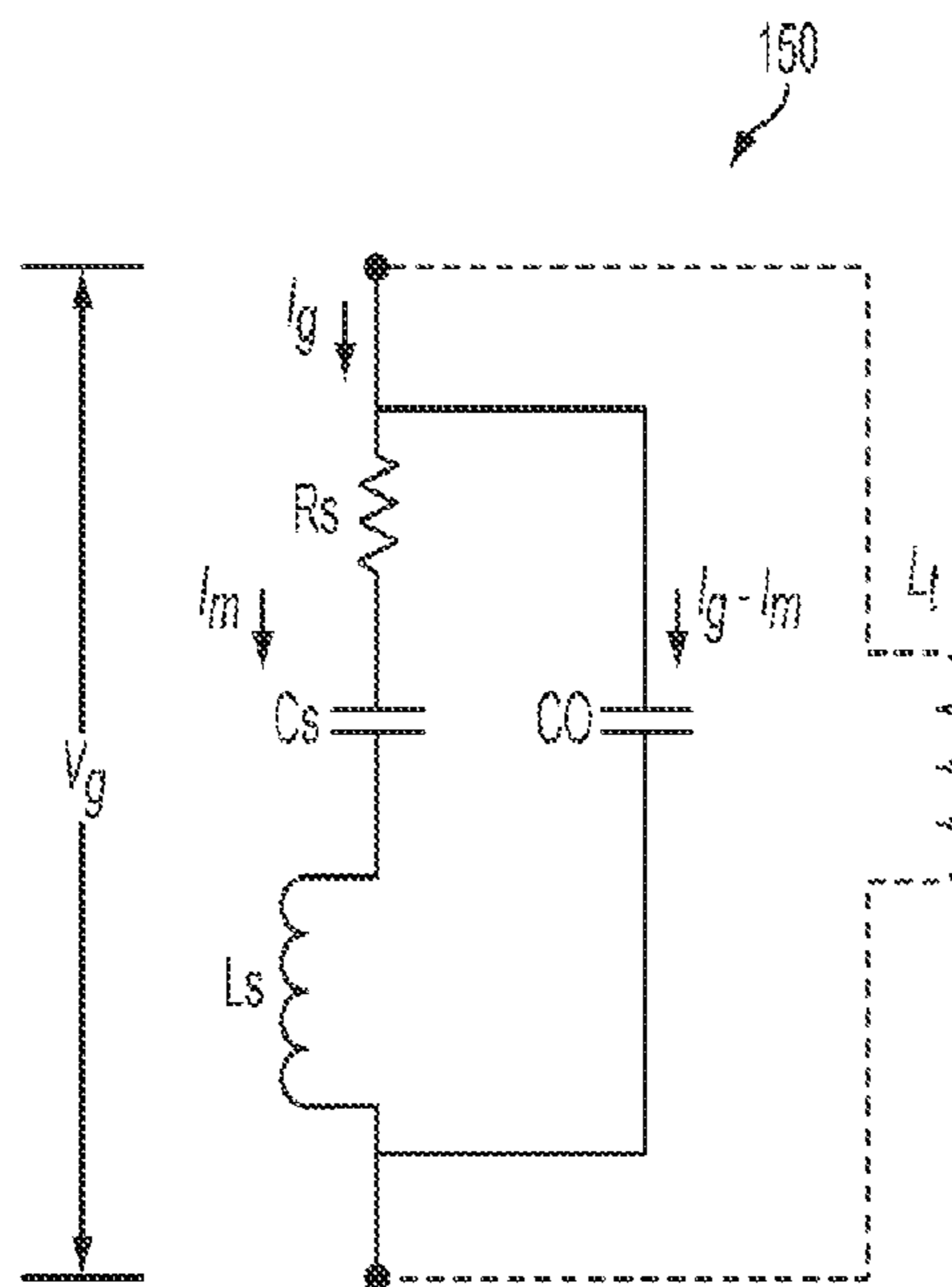


FIG. 9

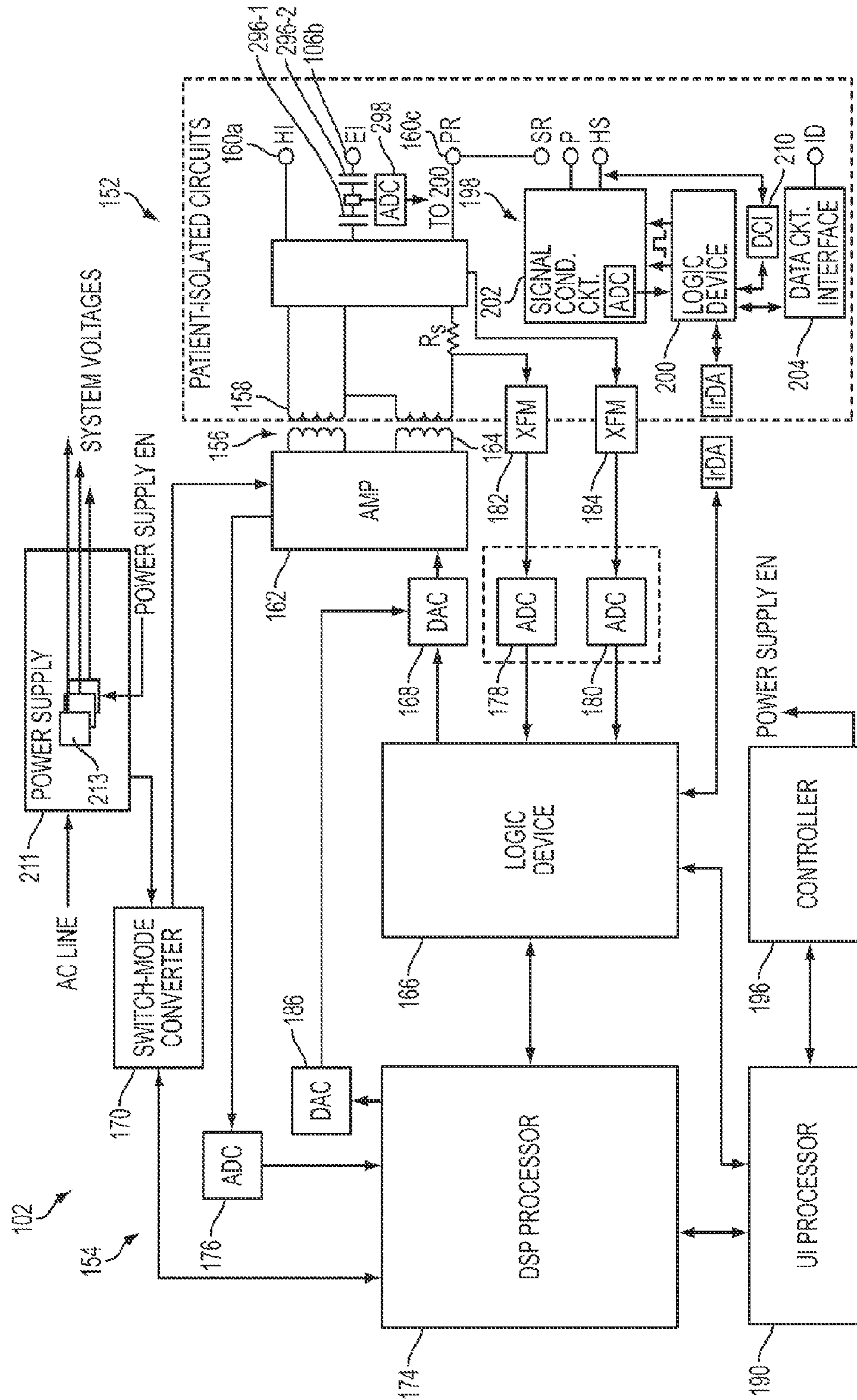


FIG. 10



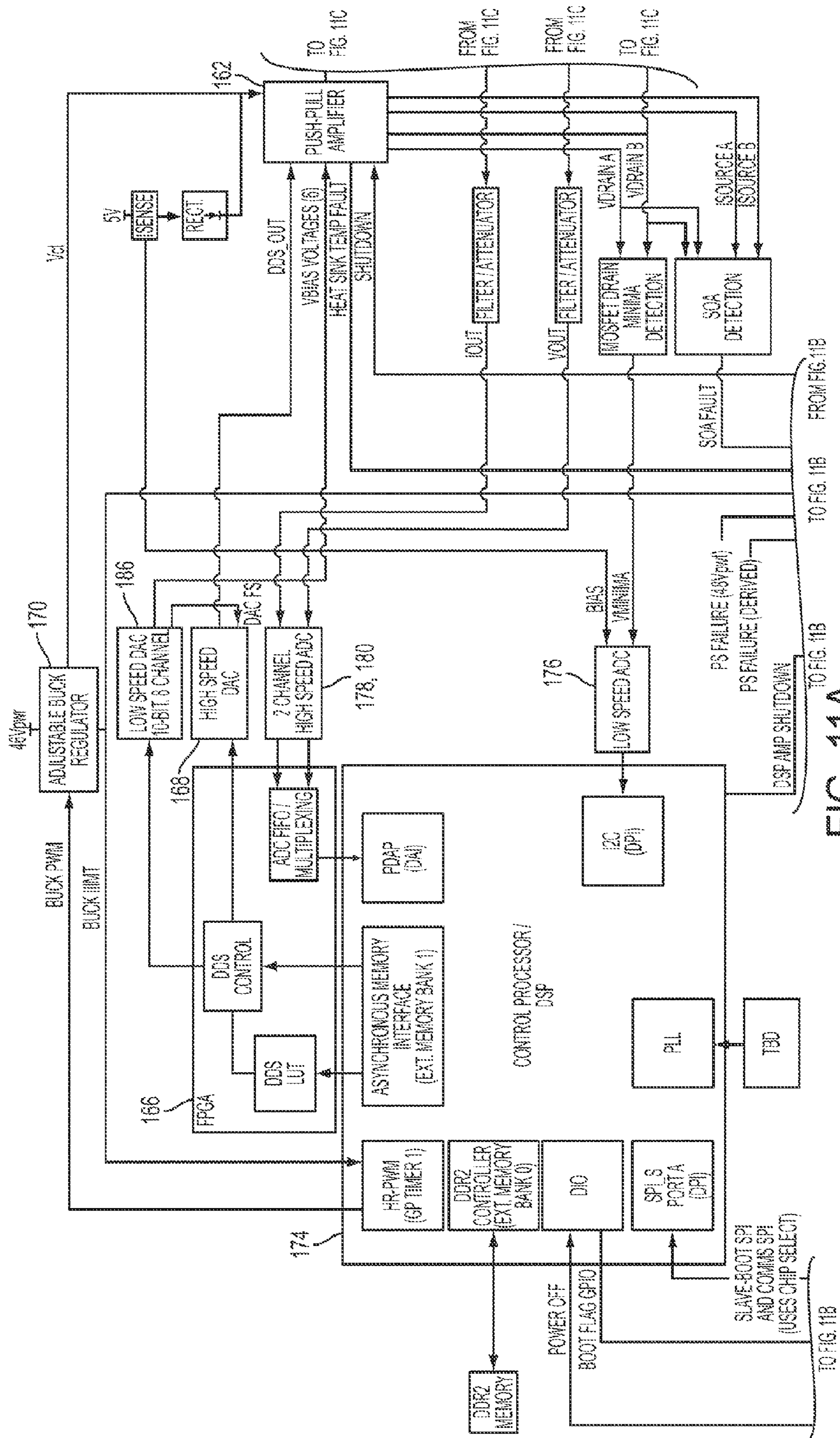


FIG. 11A

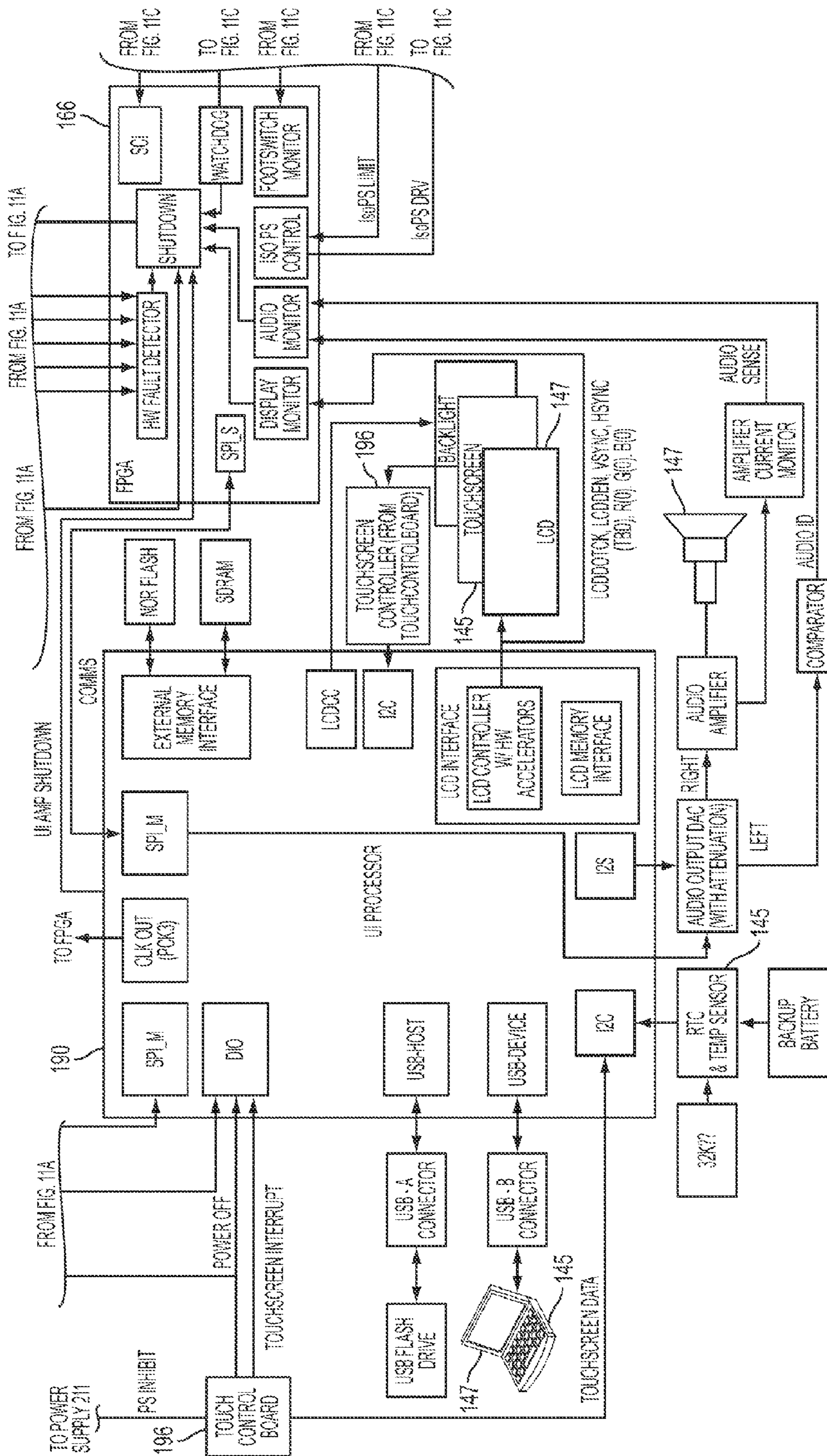


FIG. 11B



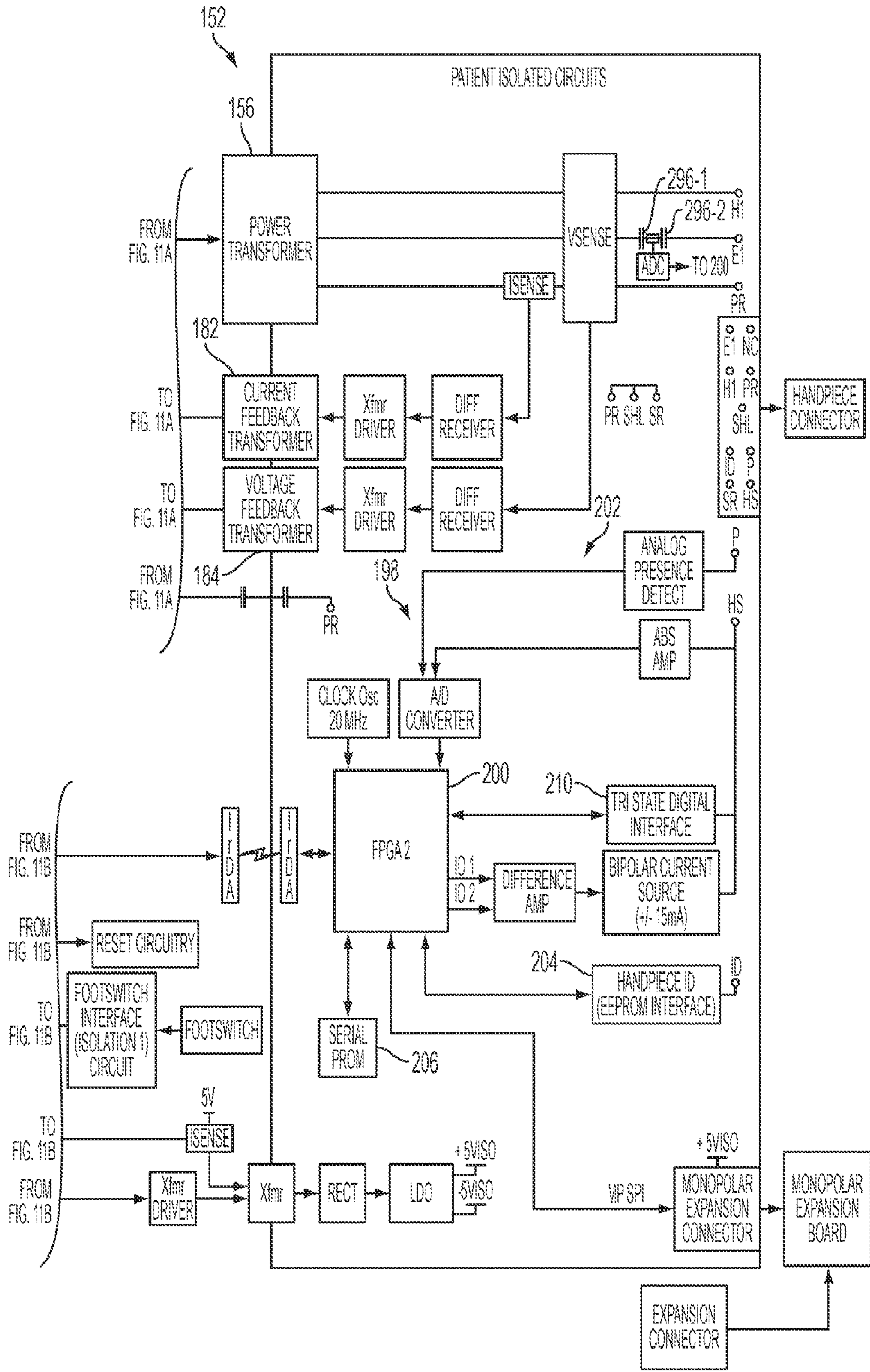


FIG. 11C

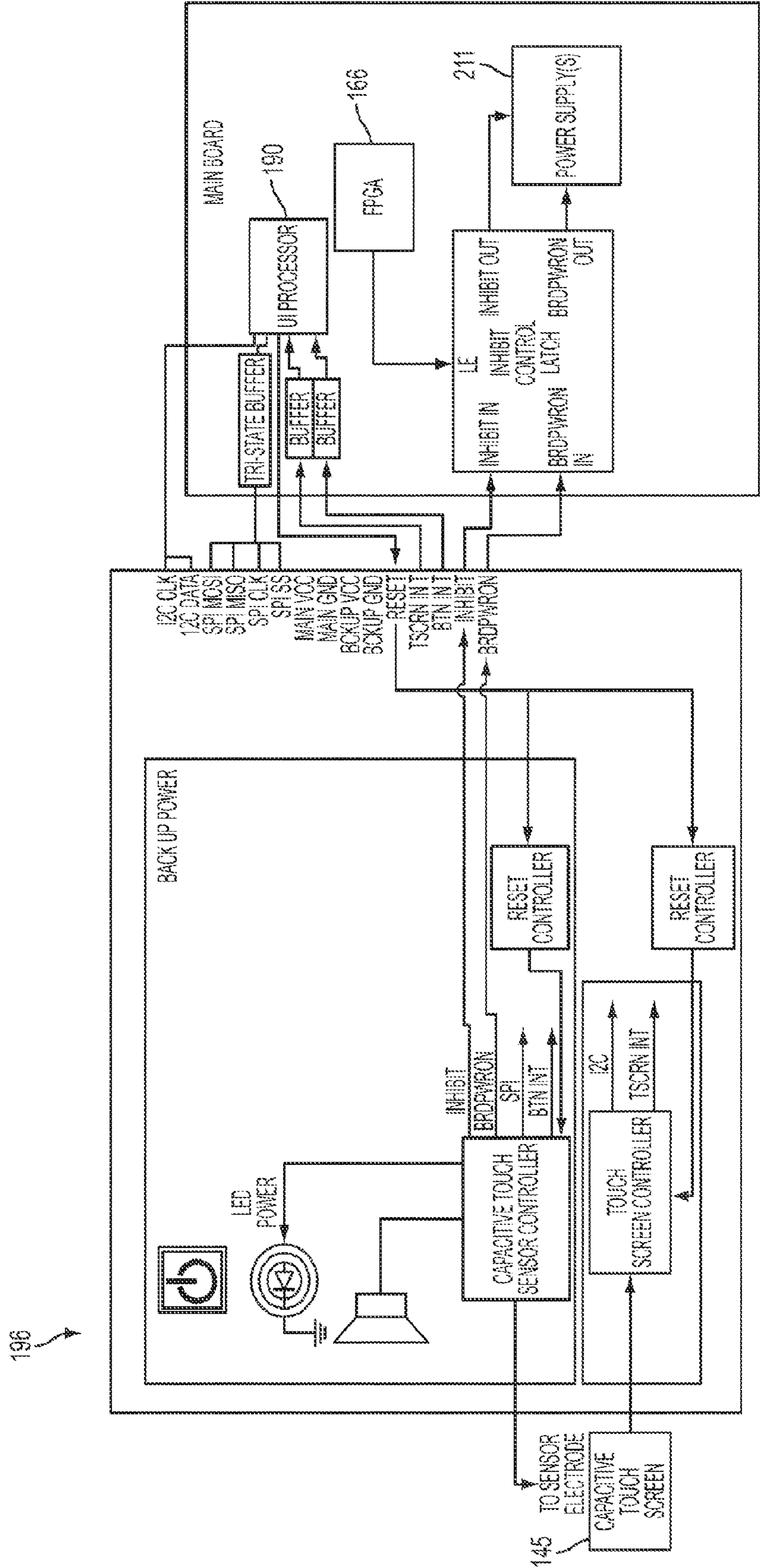


FIG. 12



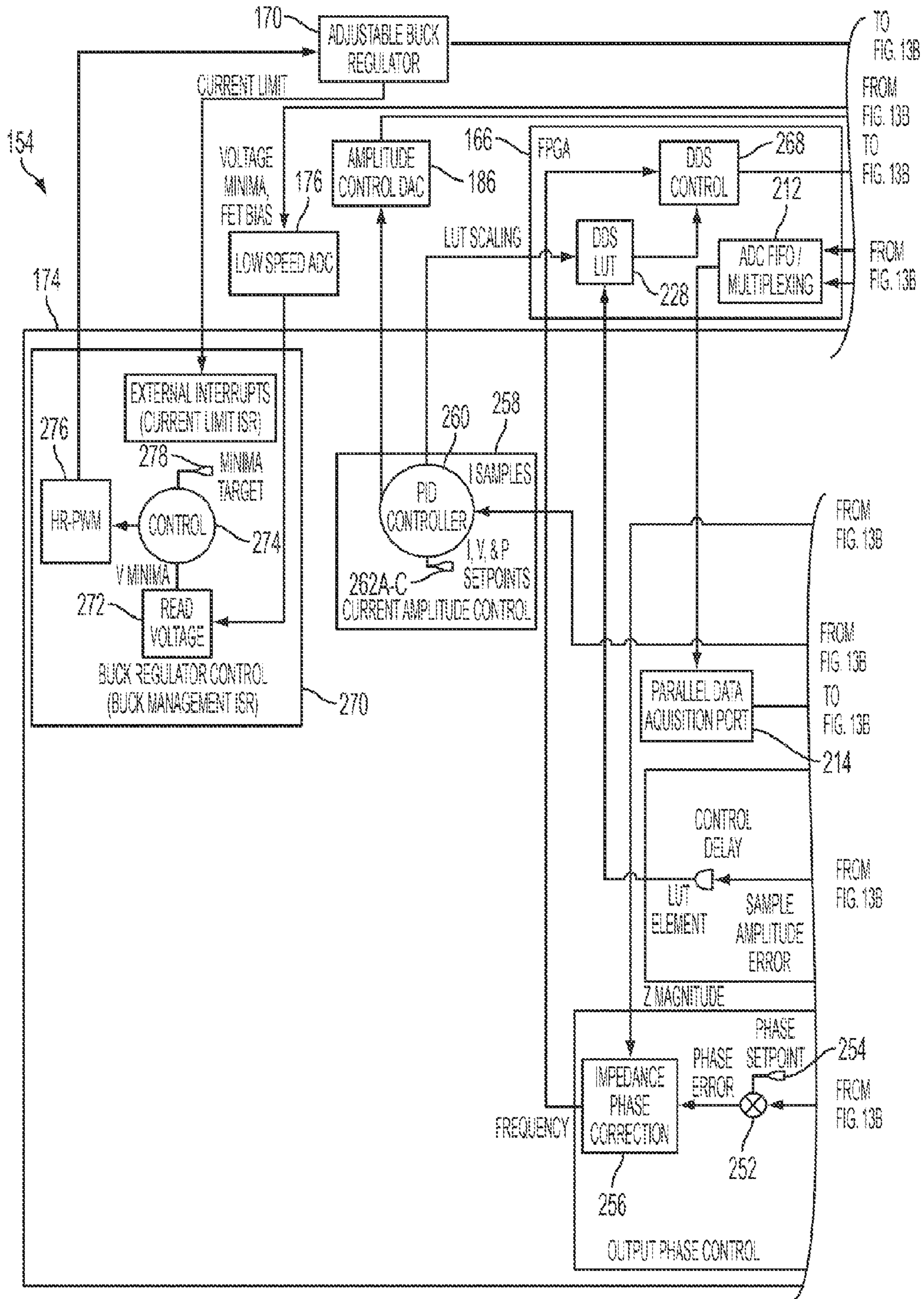


FIG. 13A

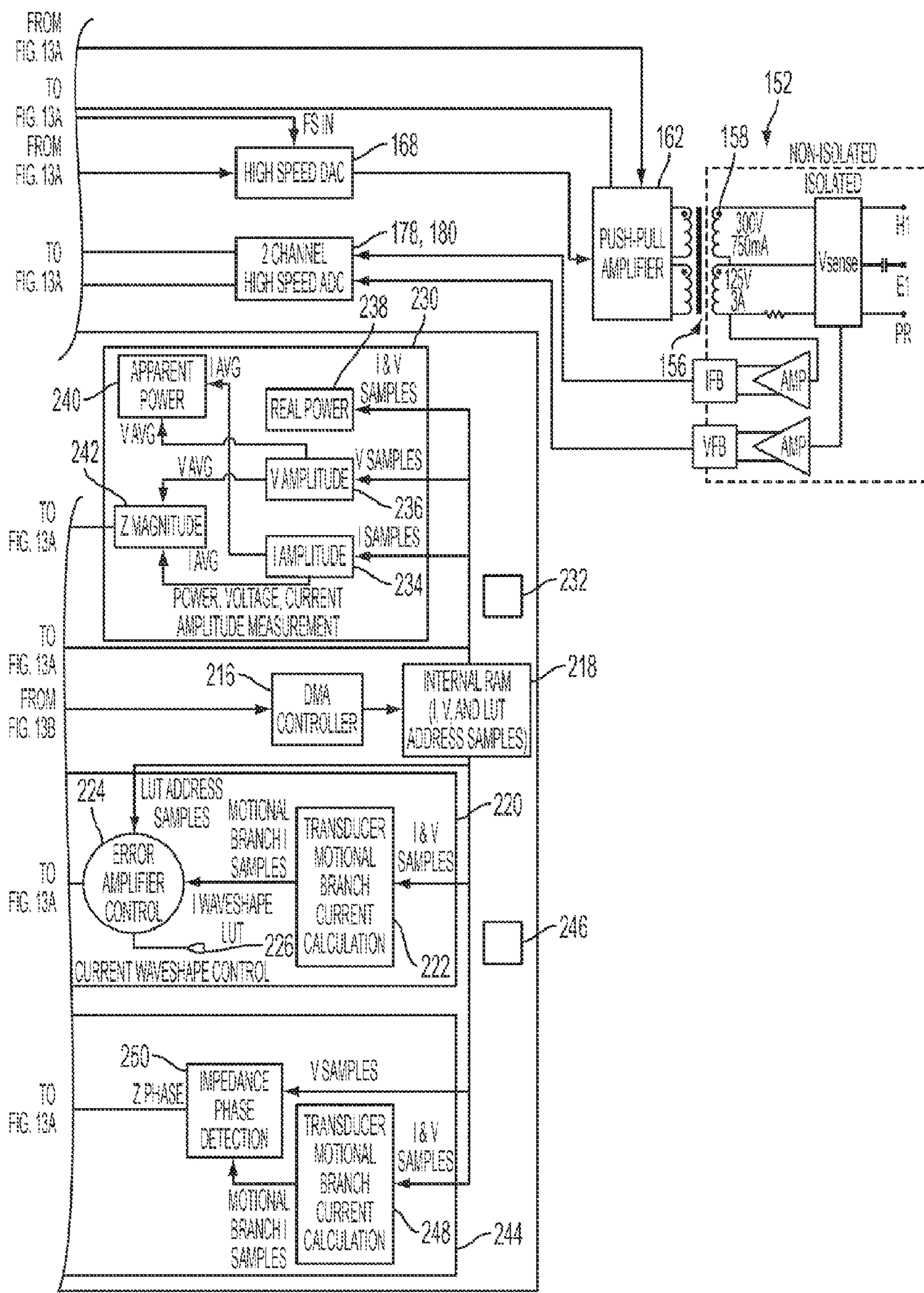


FIG. 13B



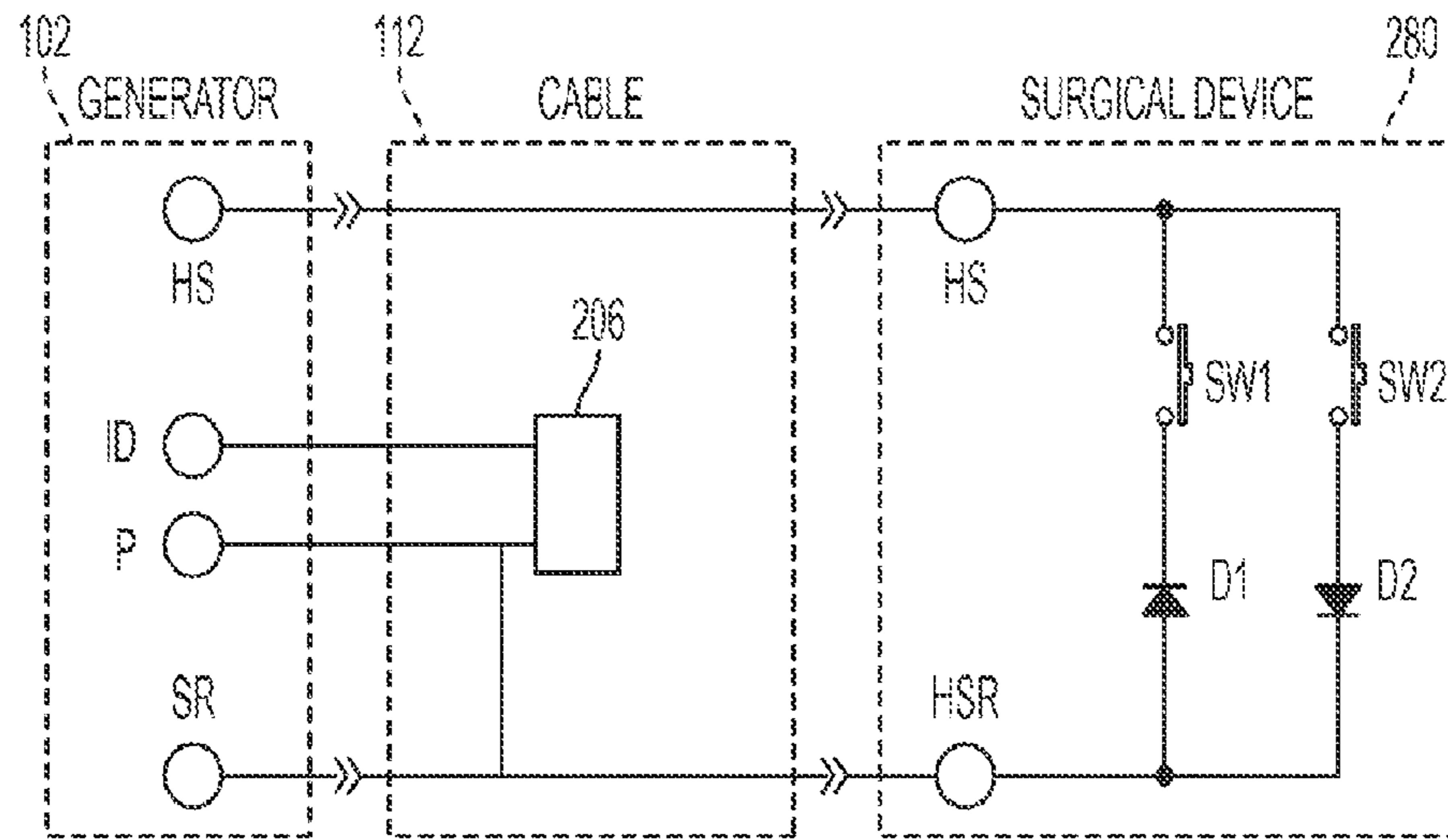


FIG. 14

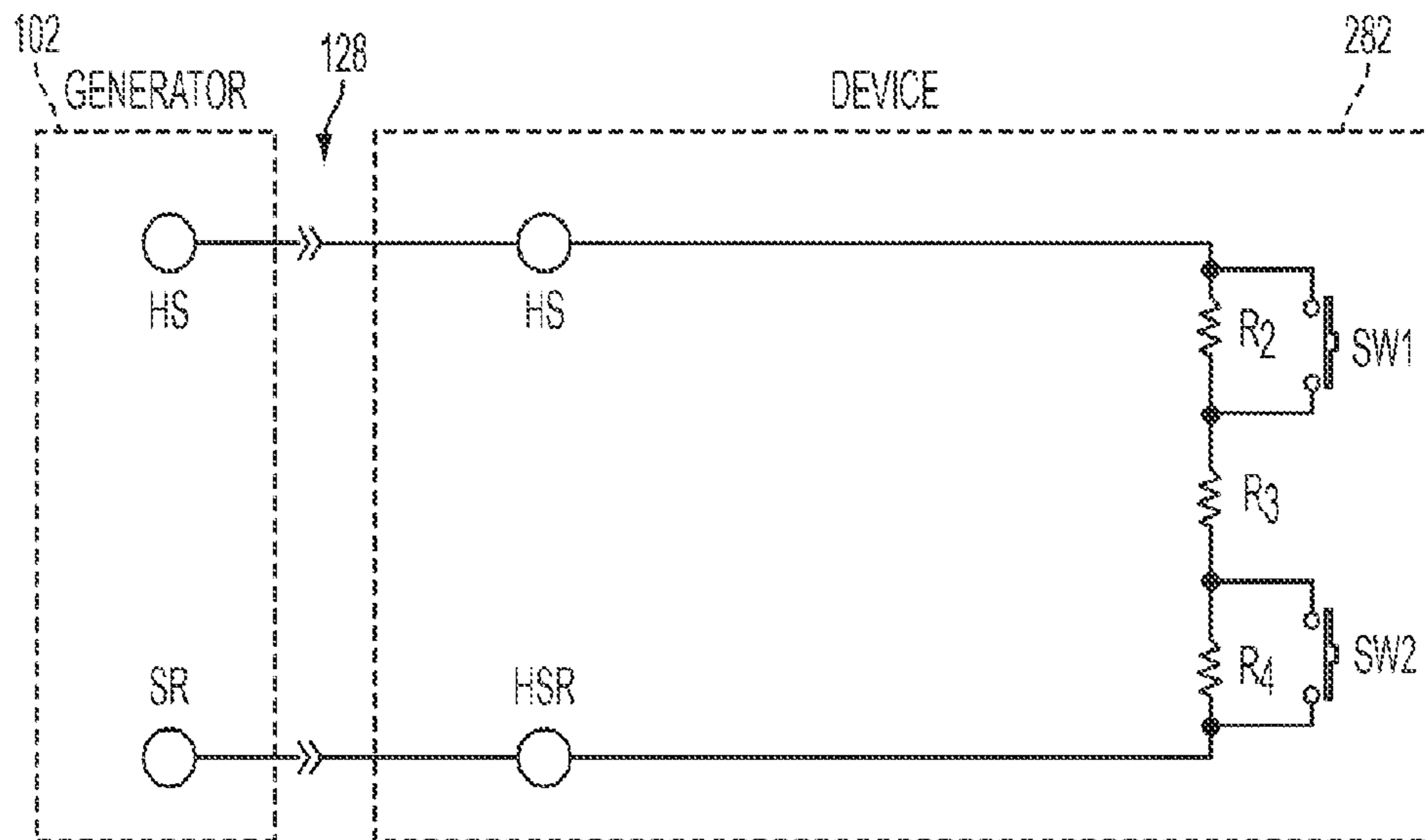


FIG. 15

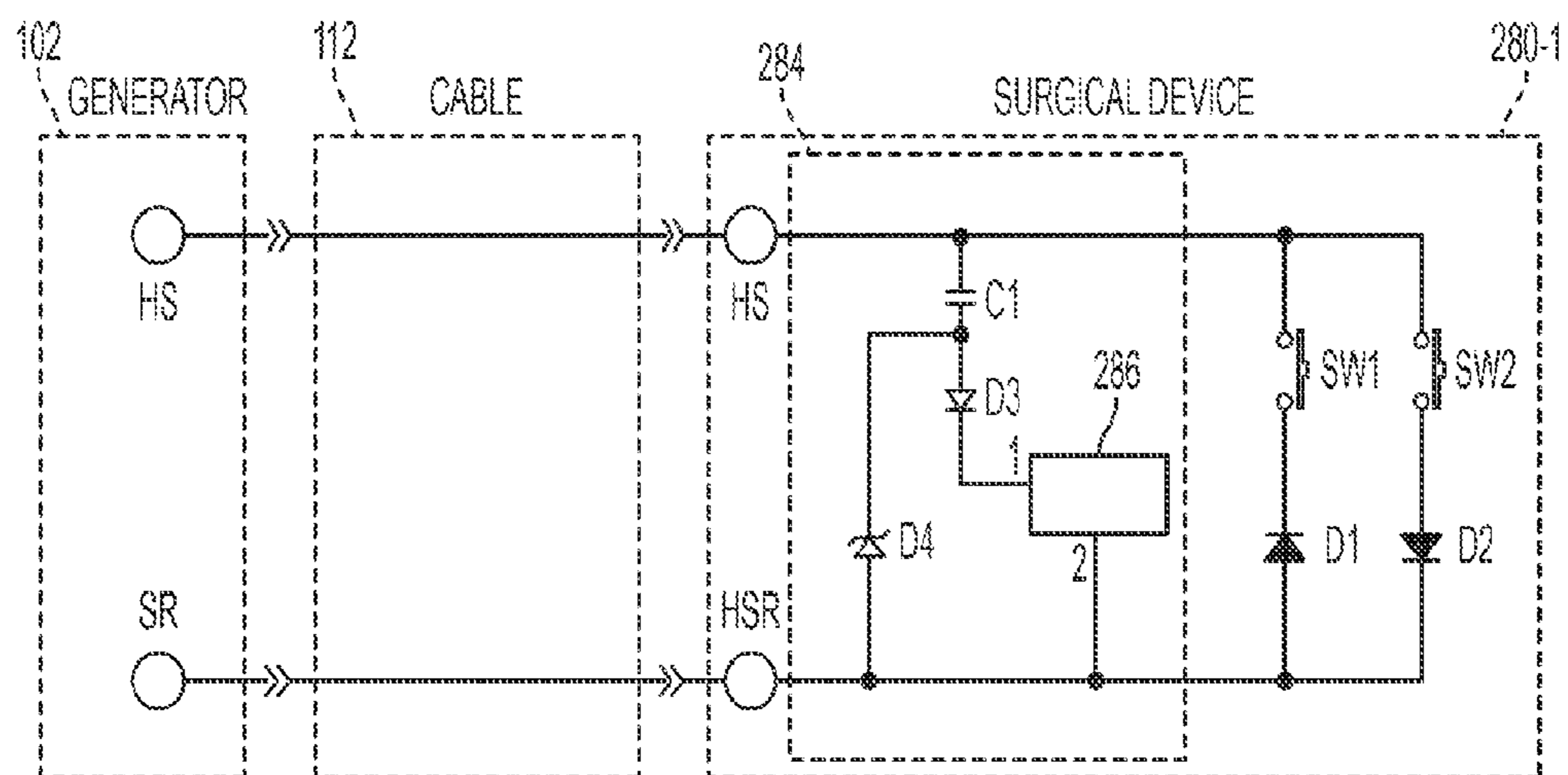


FIG. 16

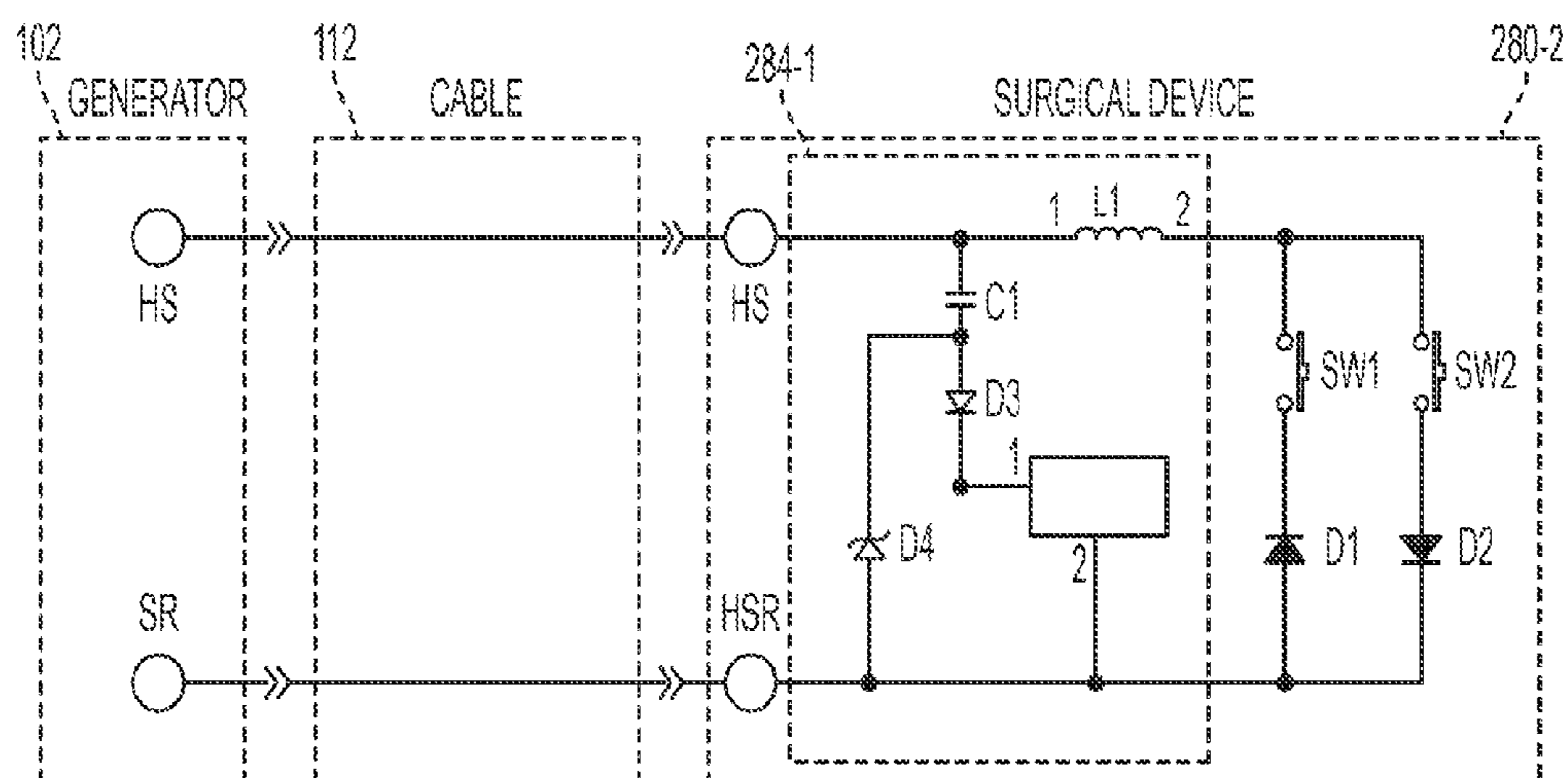


FIG. 17



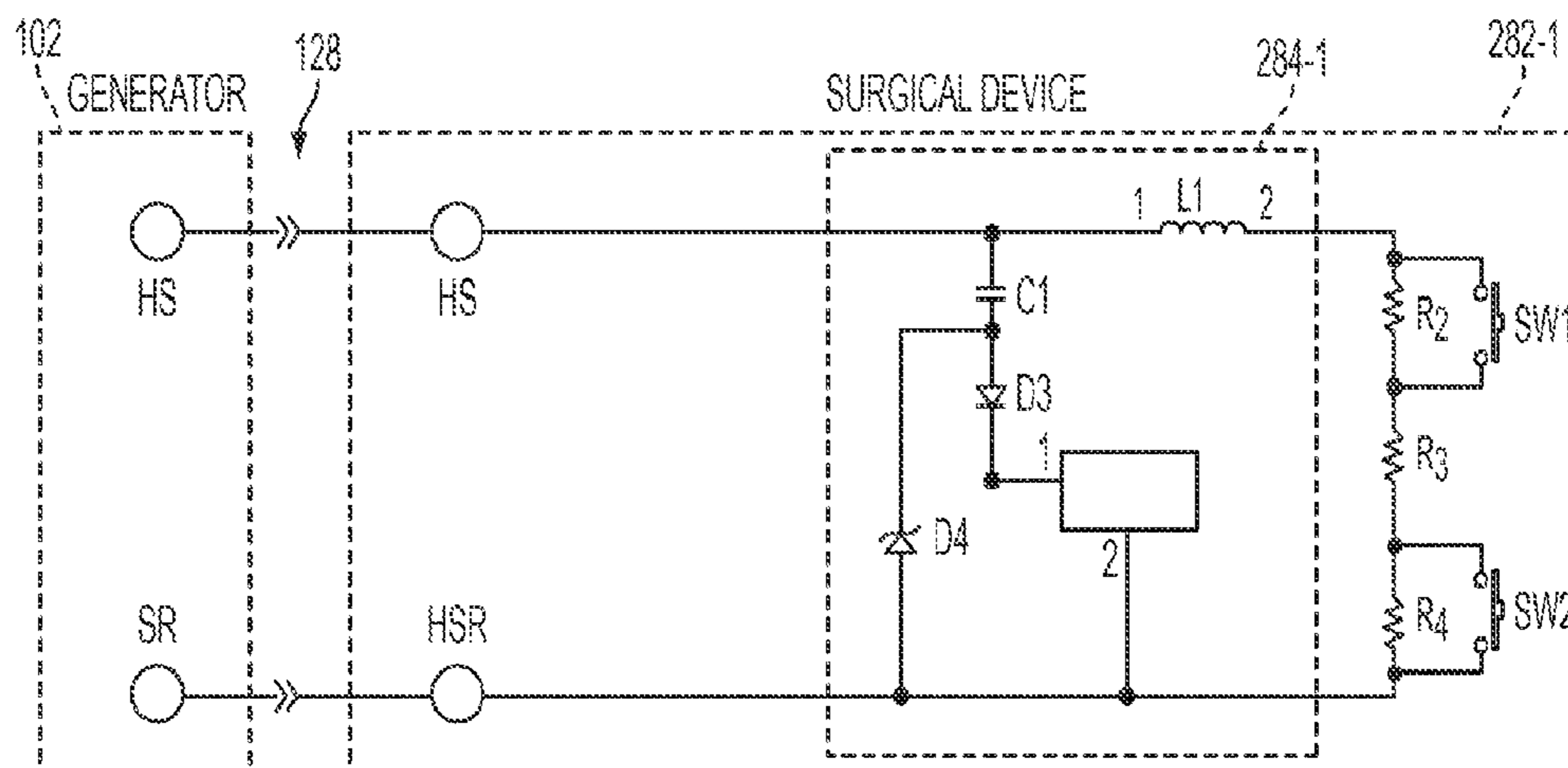


FIG. 18

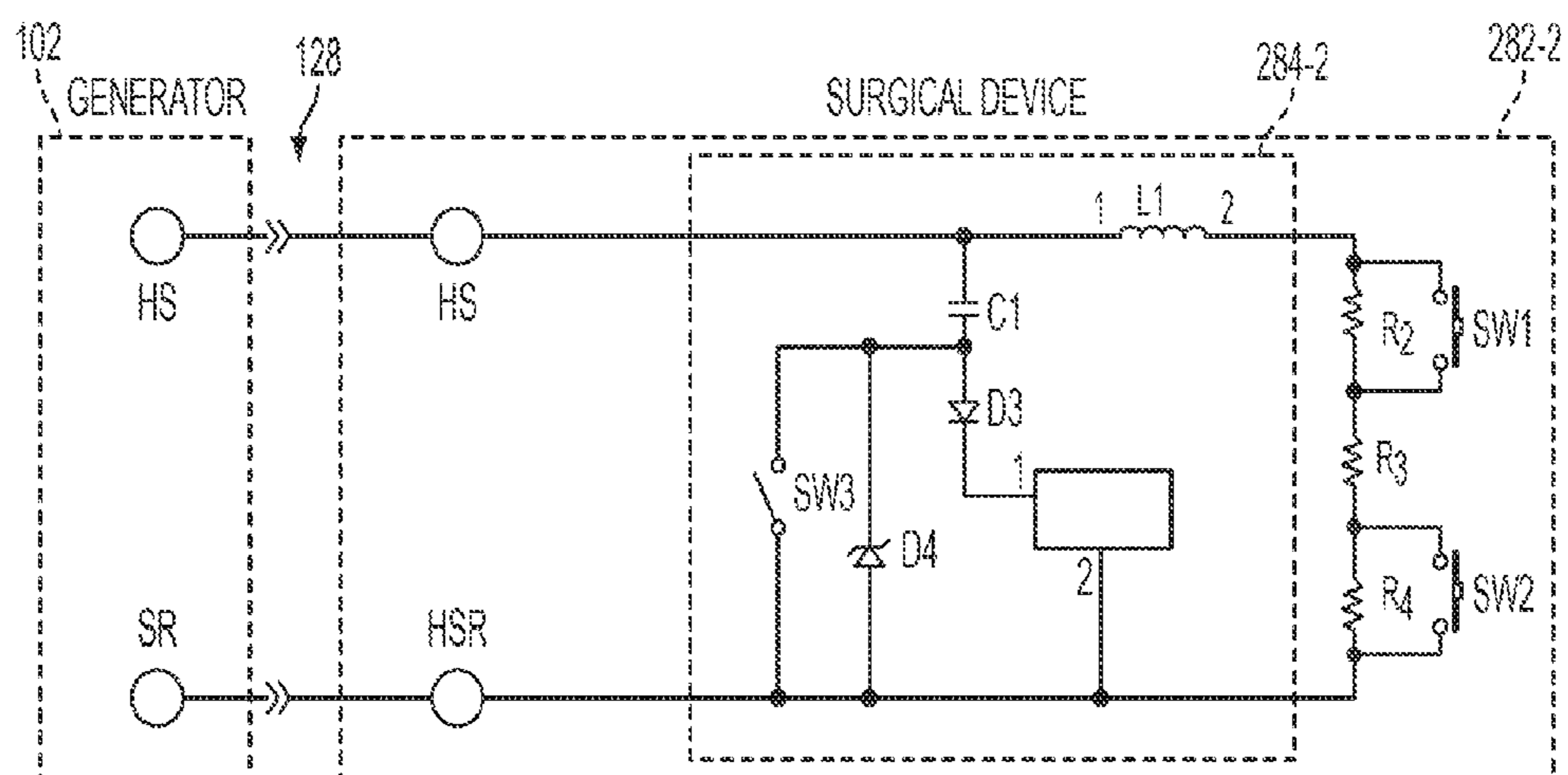


FIG. 19

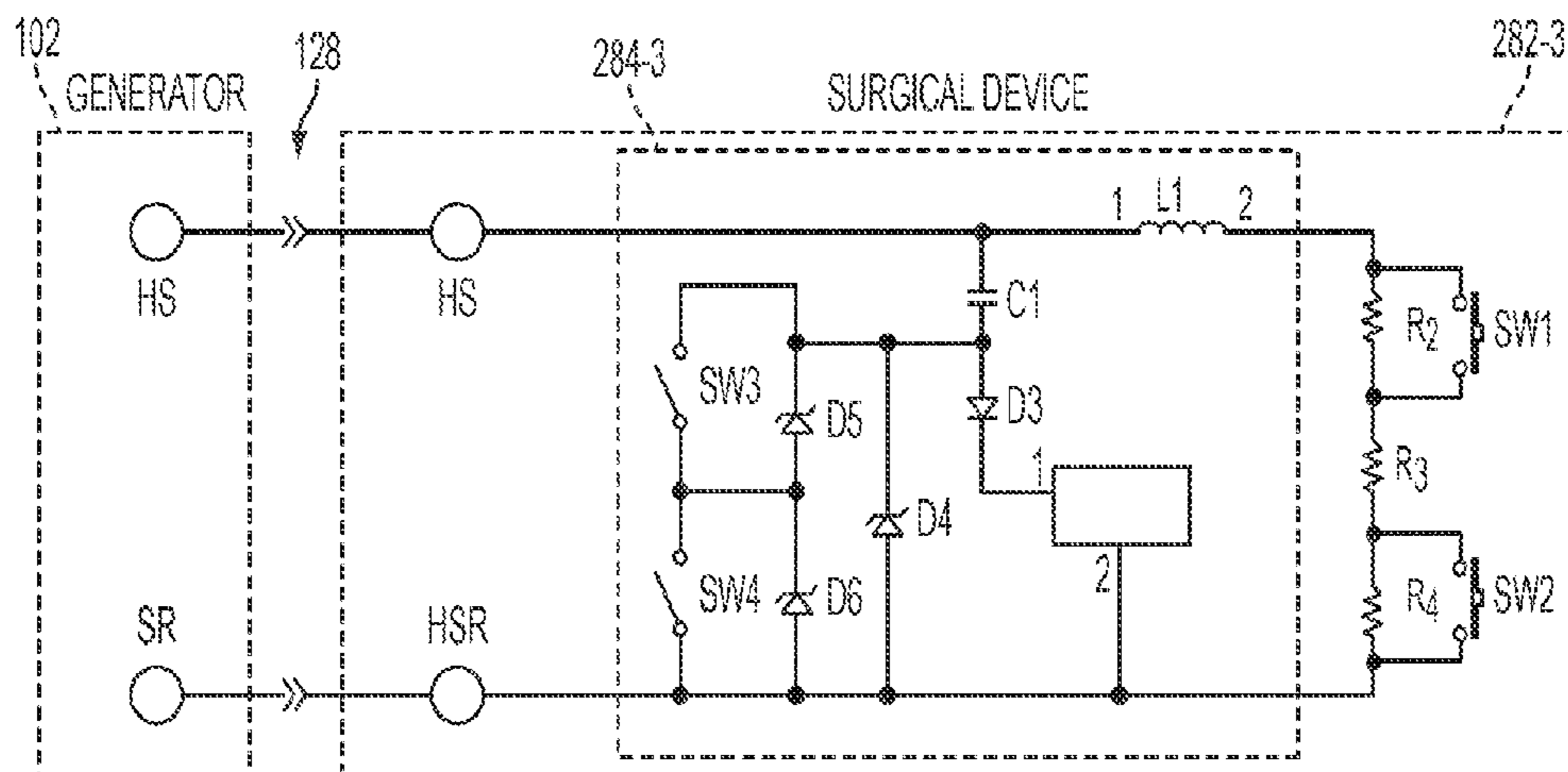


FIG. 20

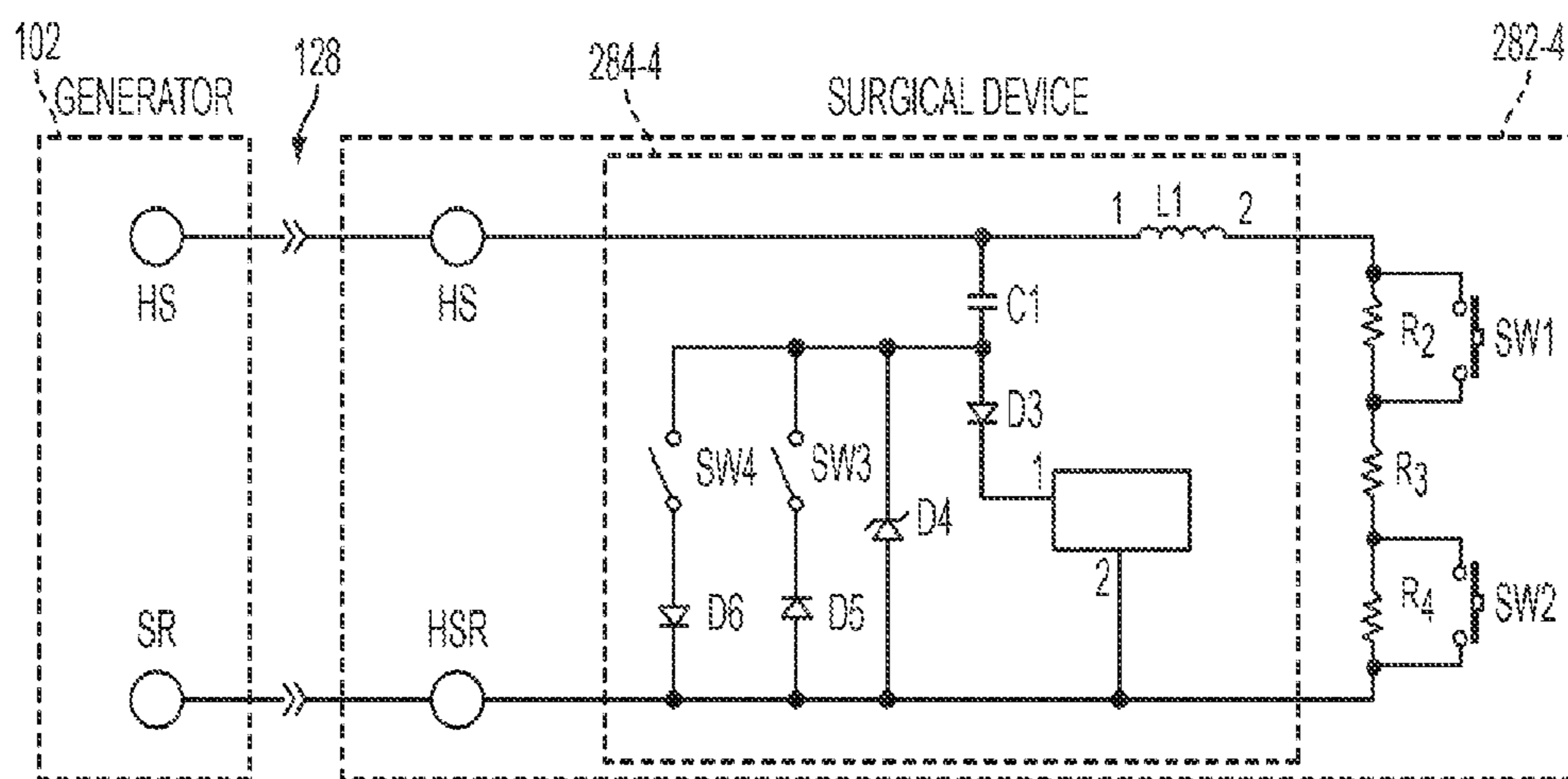


FIG. 21



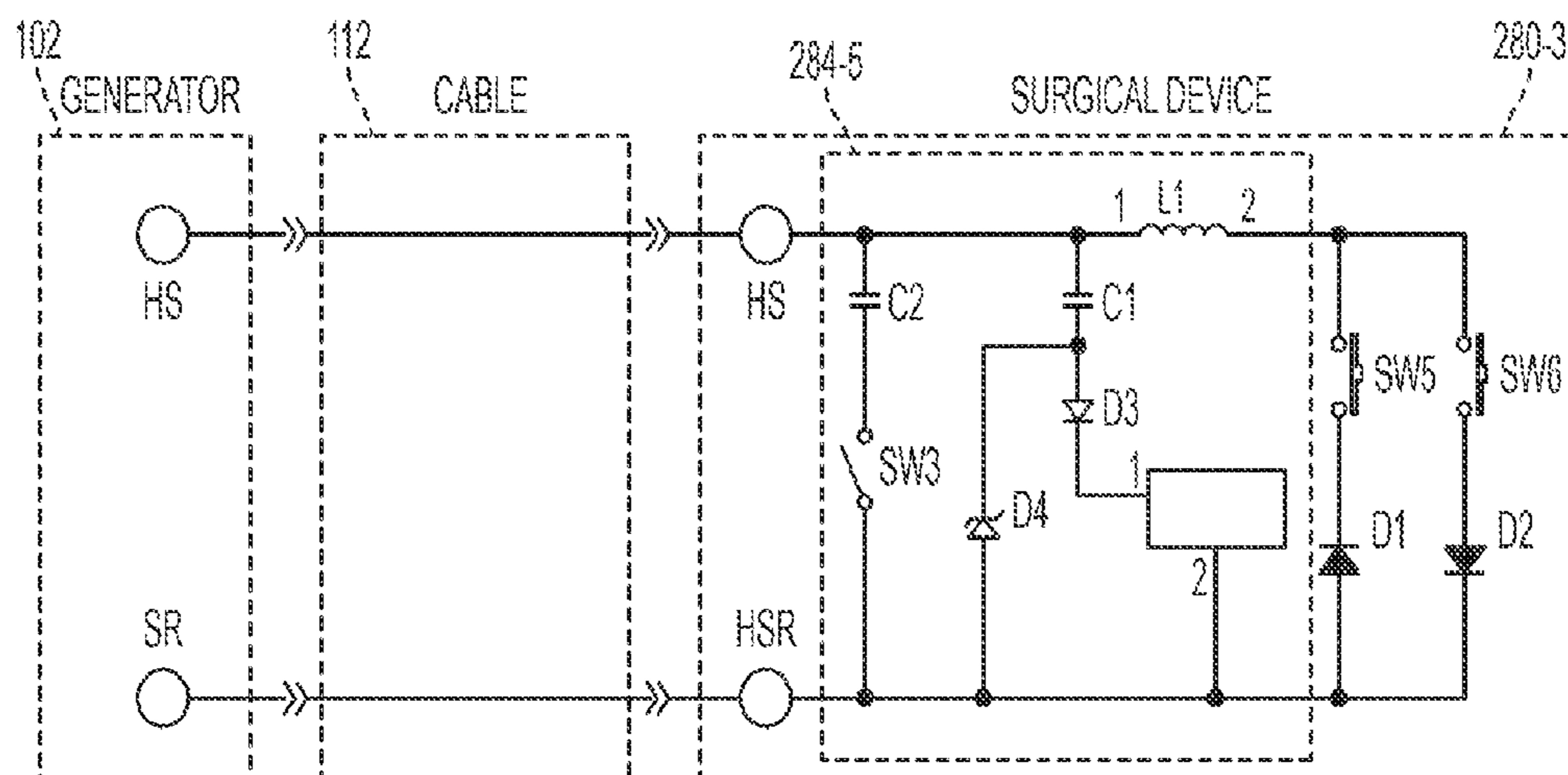


FIG. 22

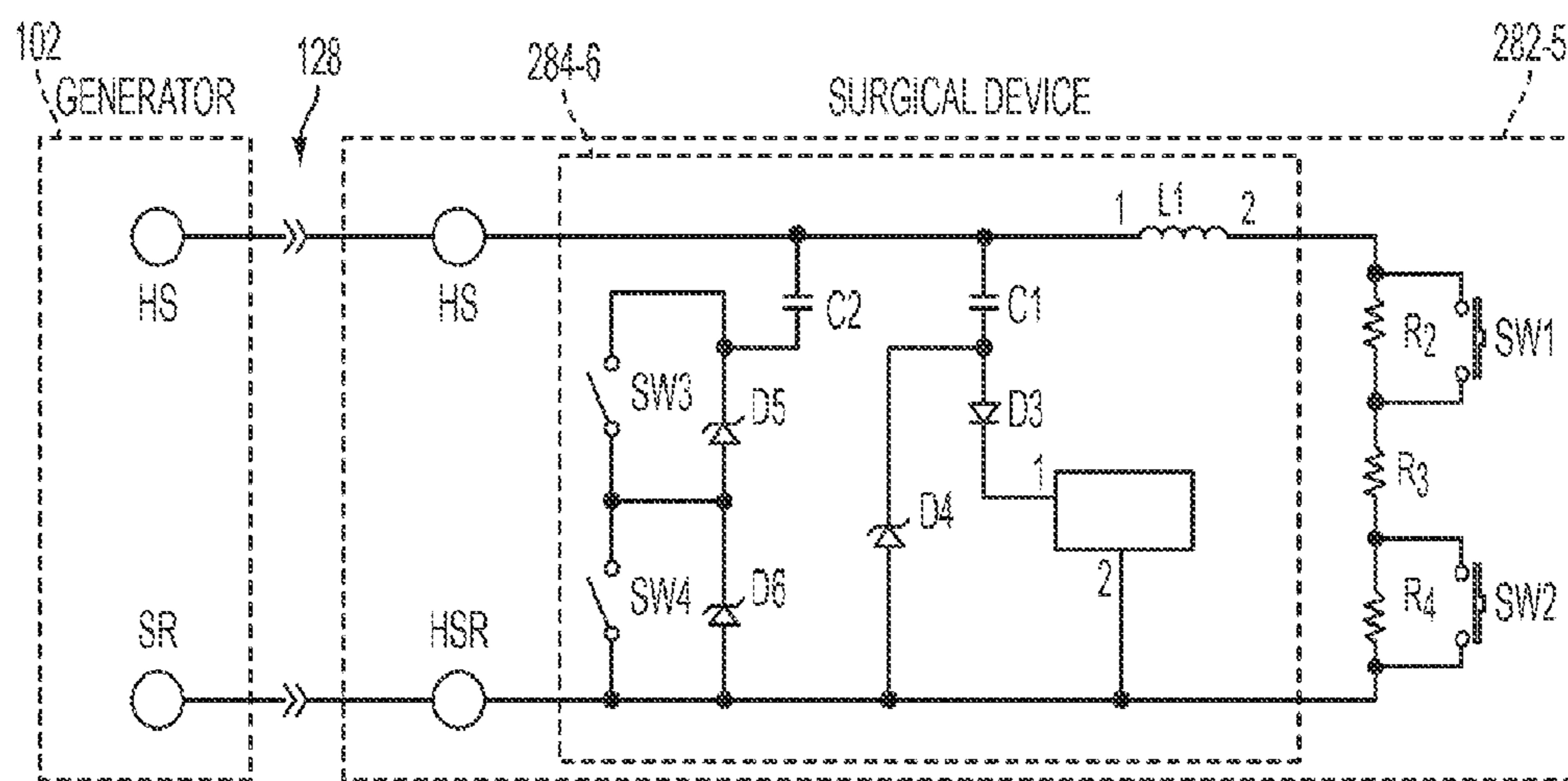


FIG. 23

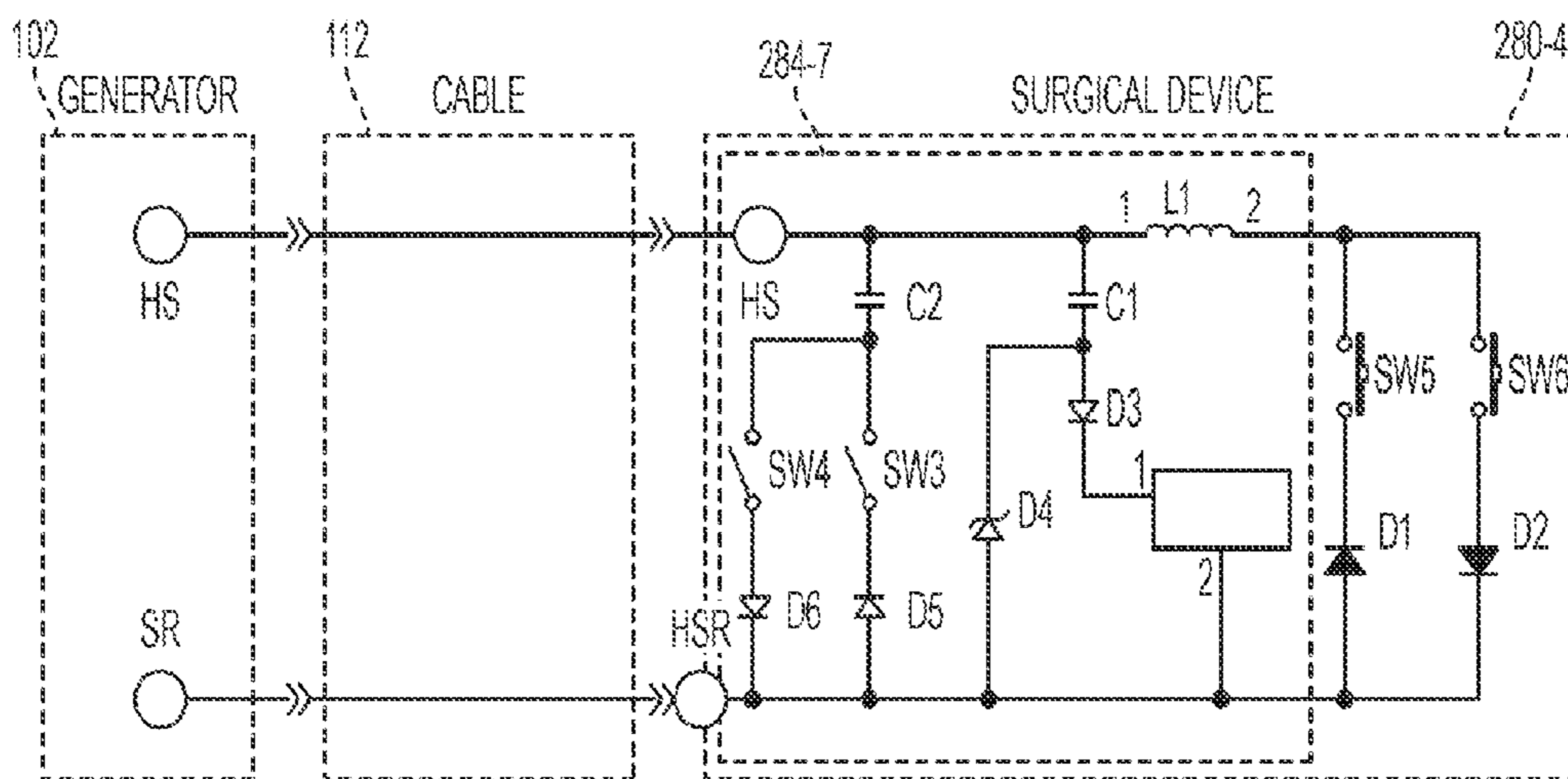


FIG. 24

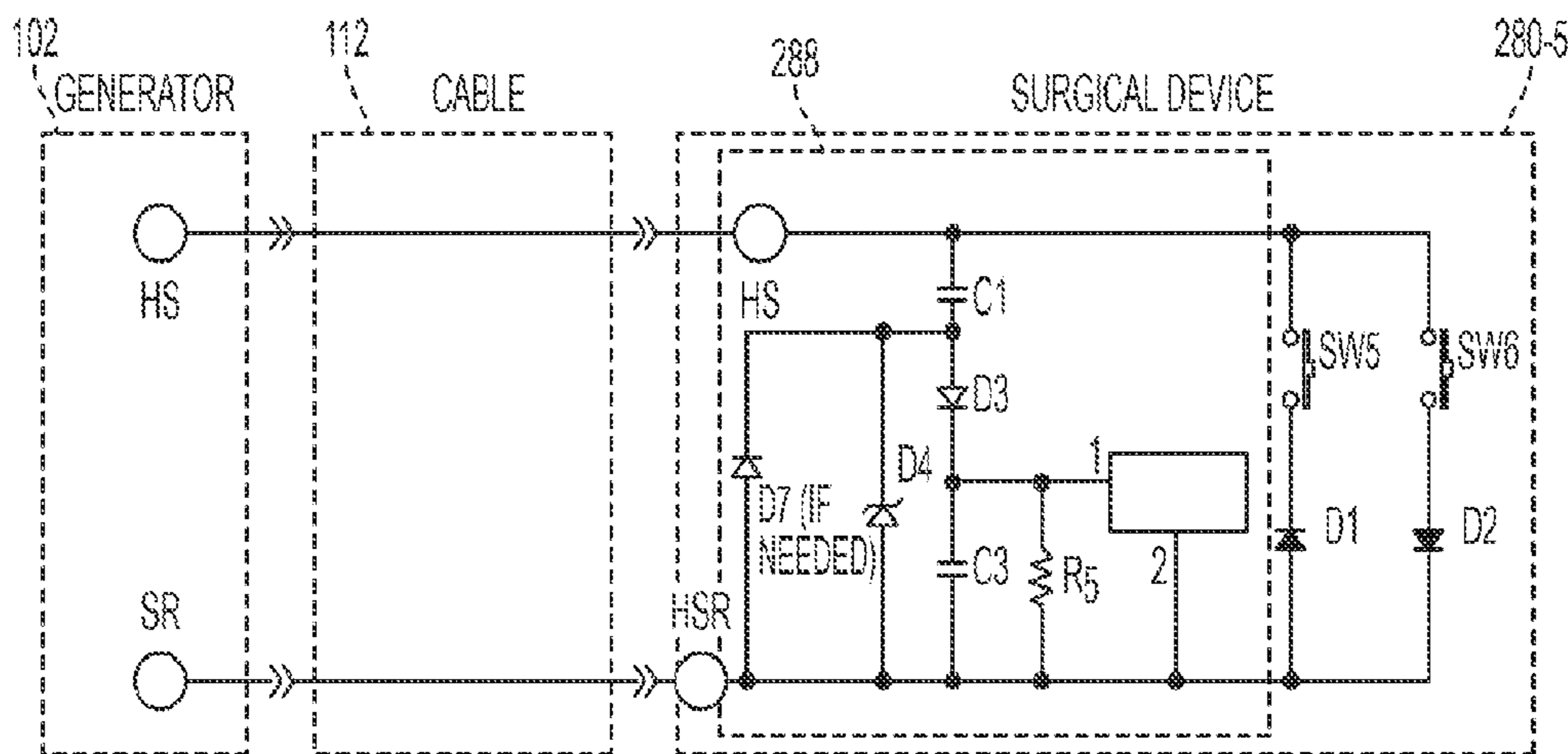


FIG. 25



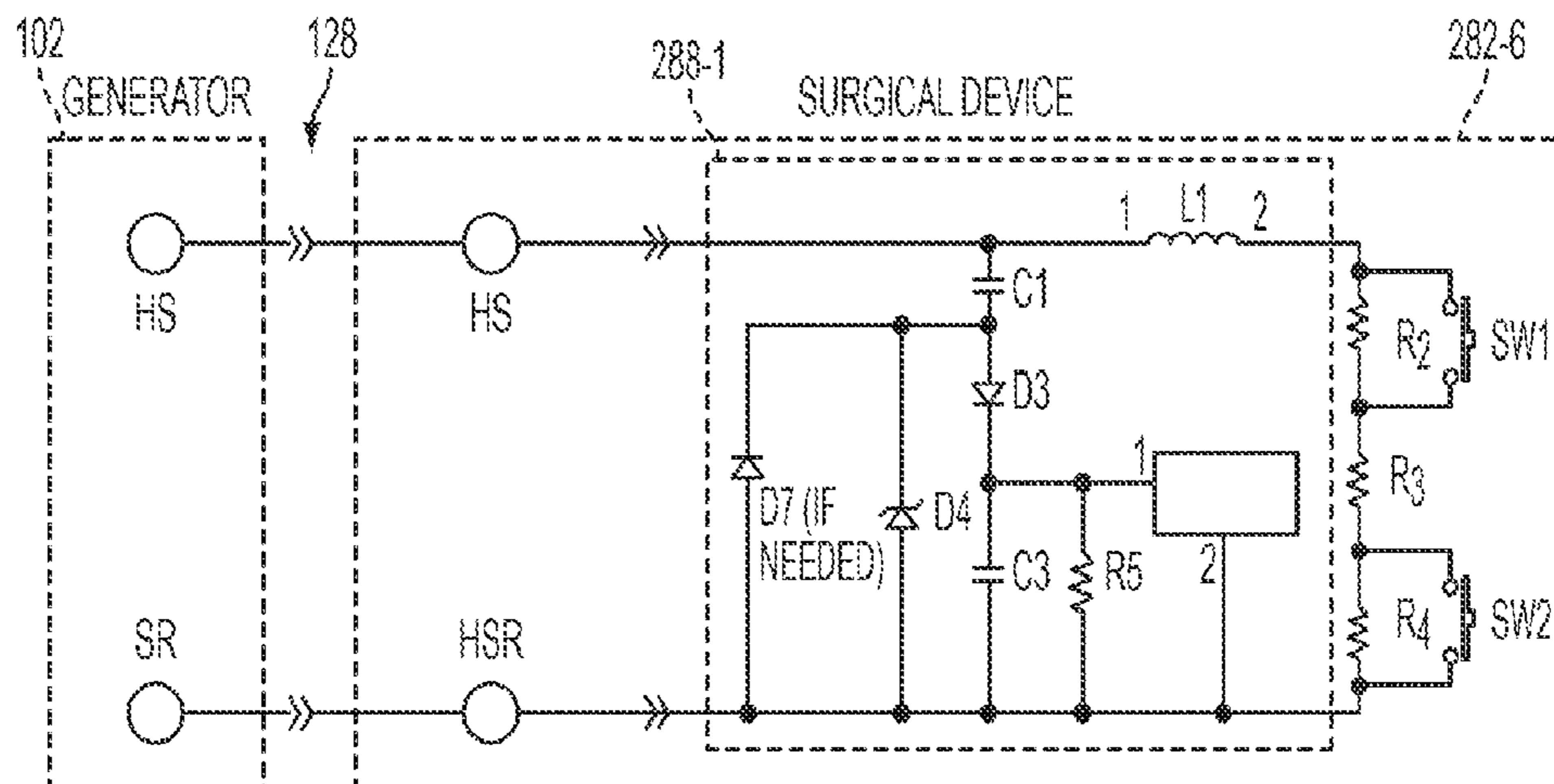


FIG. 26

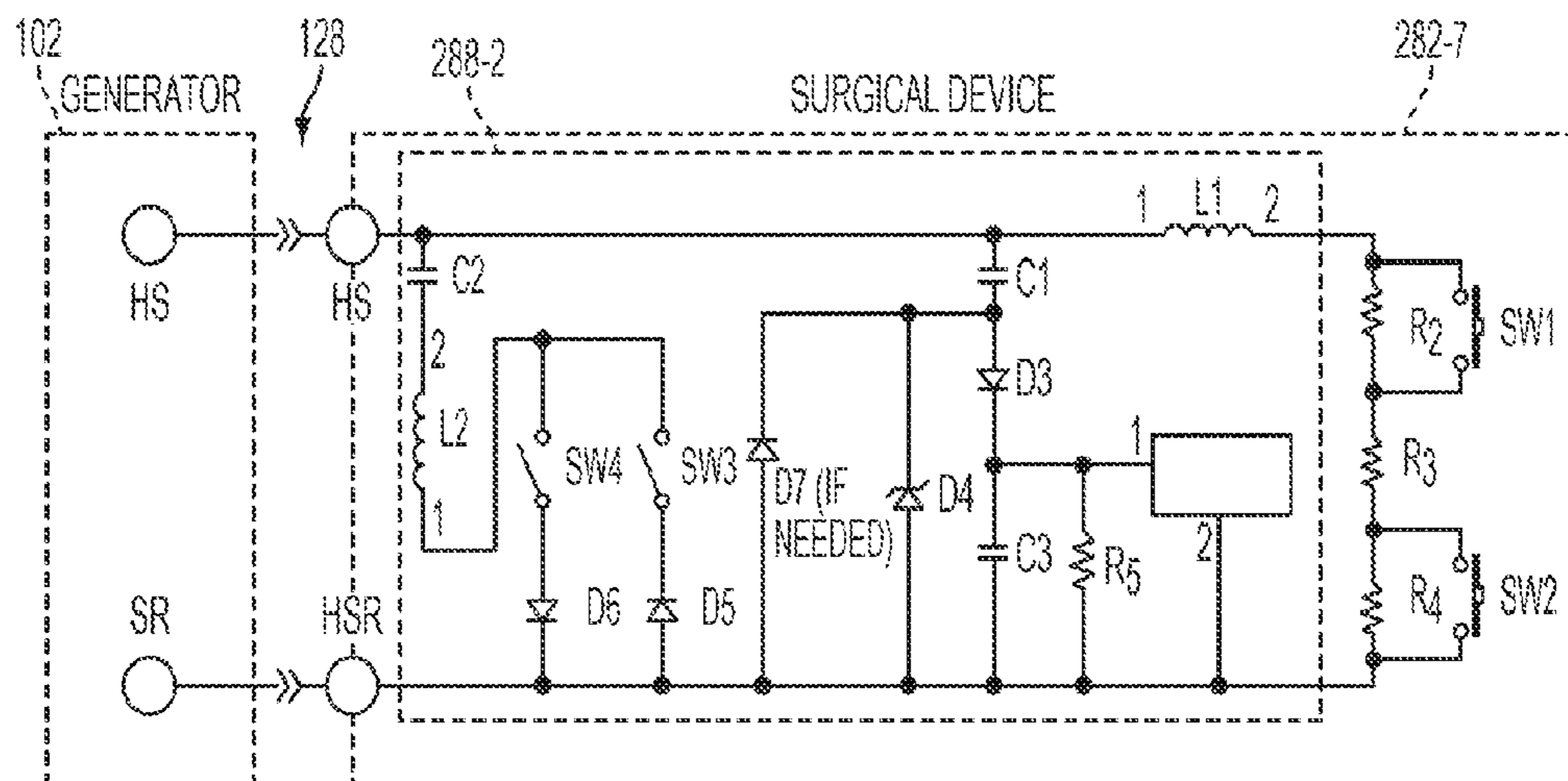


FIG. 27

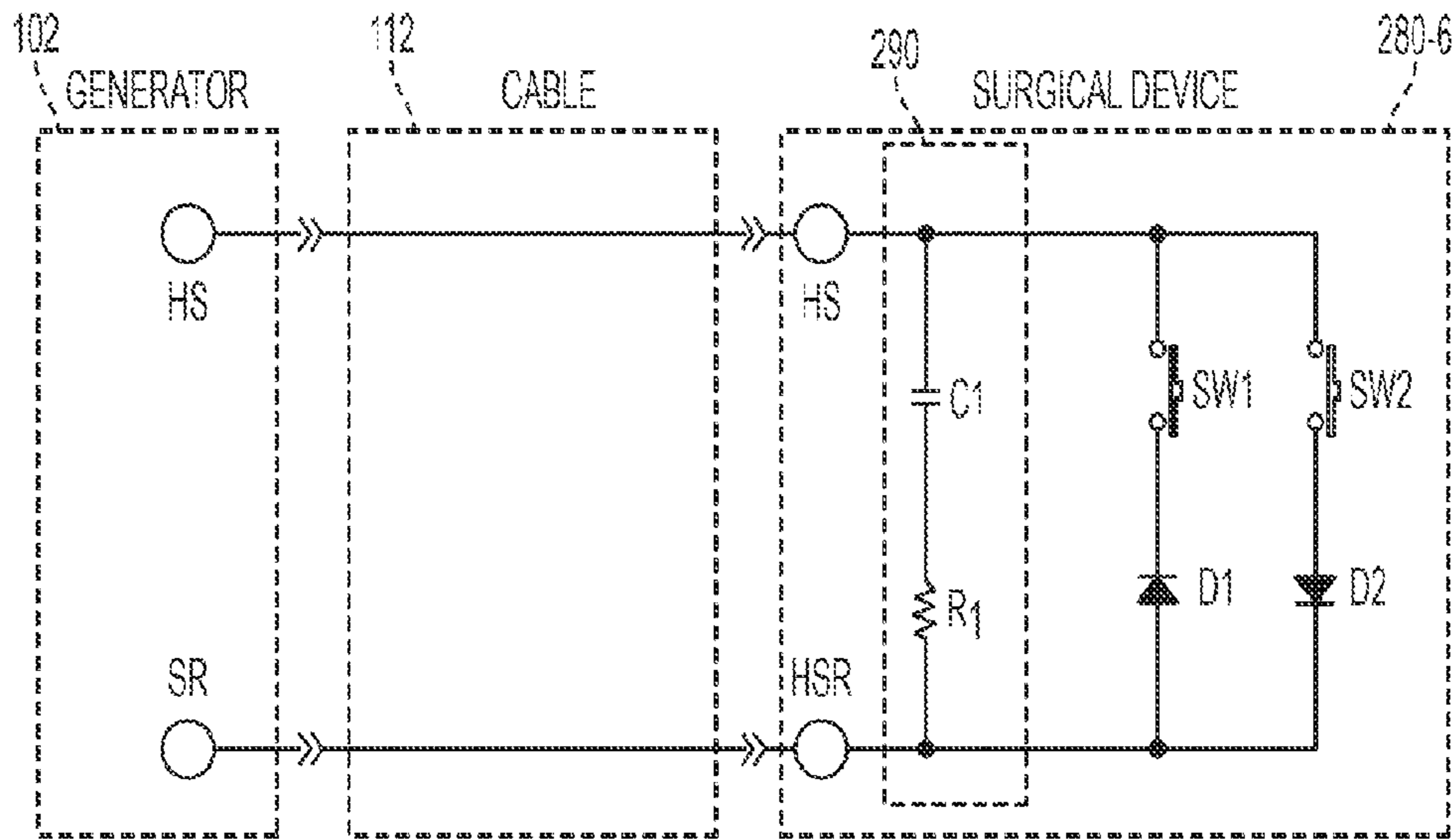


FIG. 28

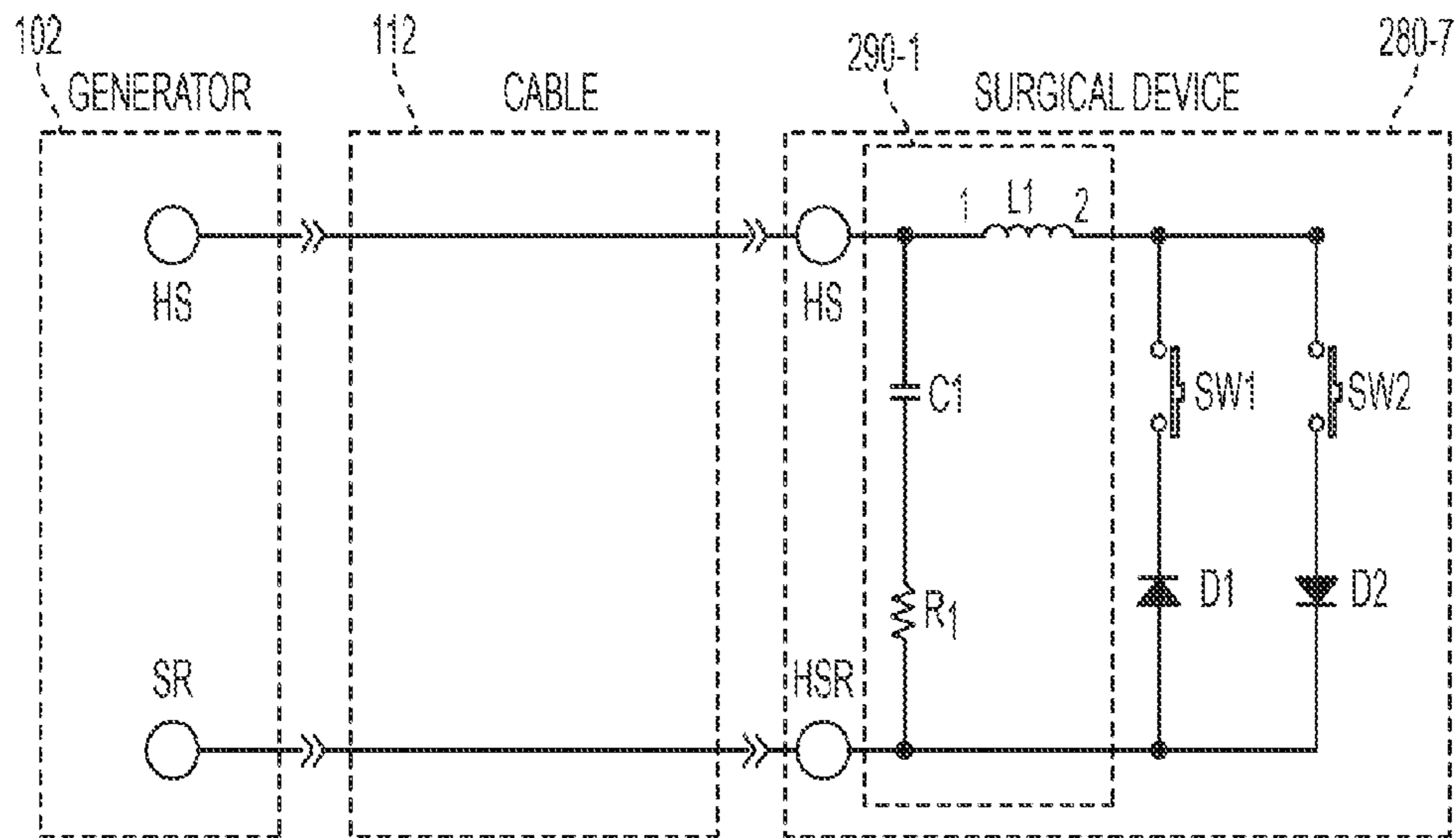


FIG. 29



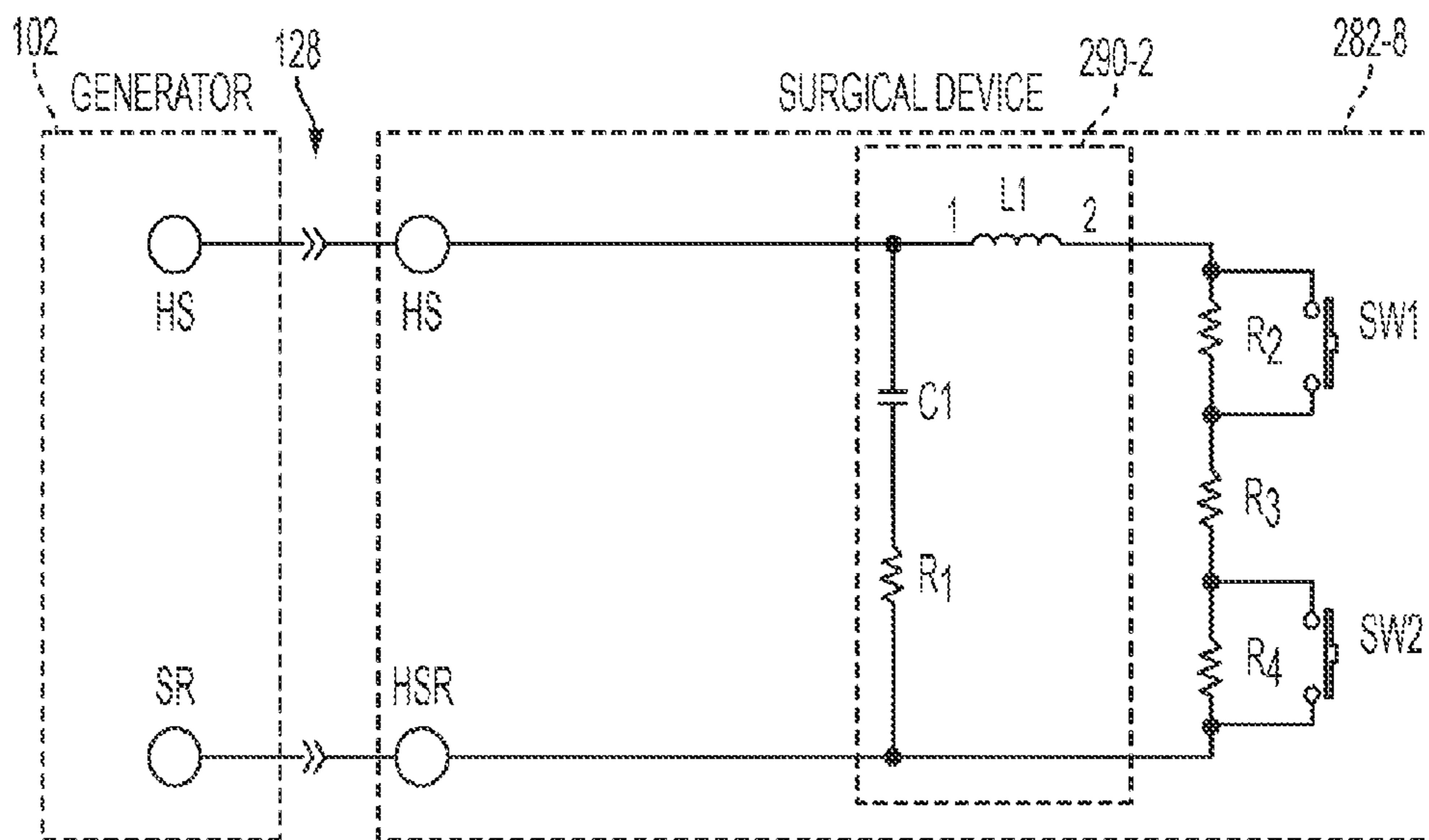


FIG. 30

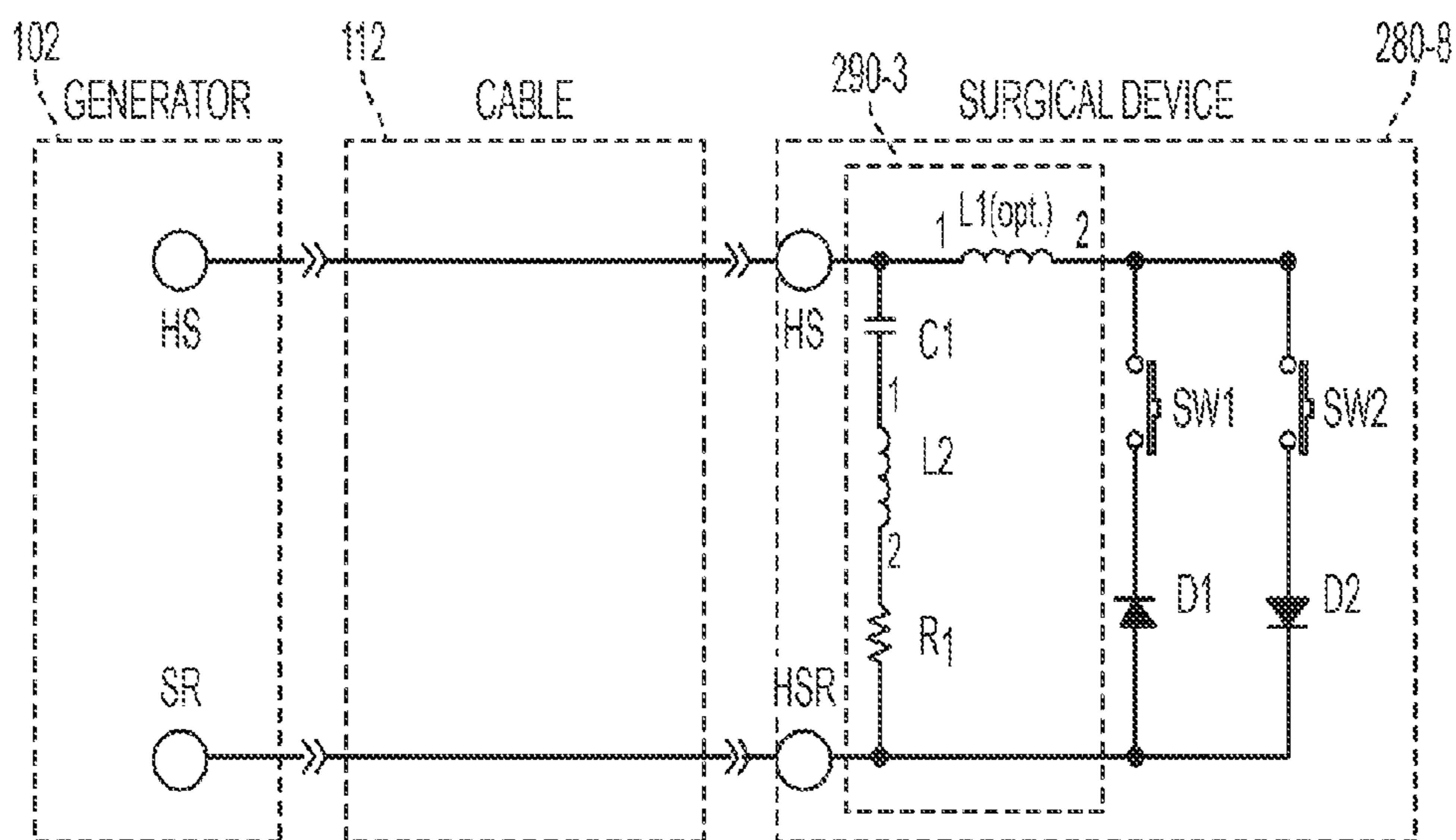


FIG. 31

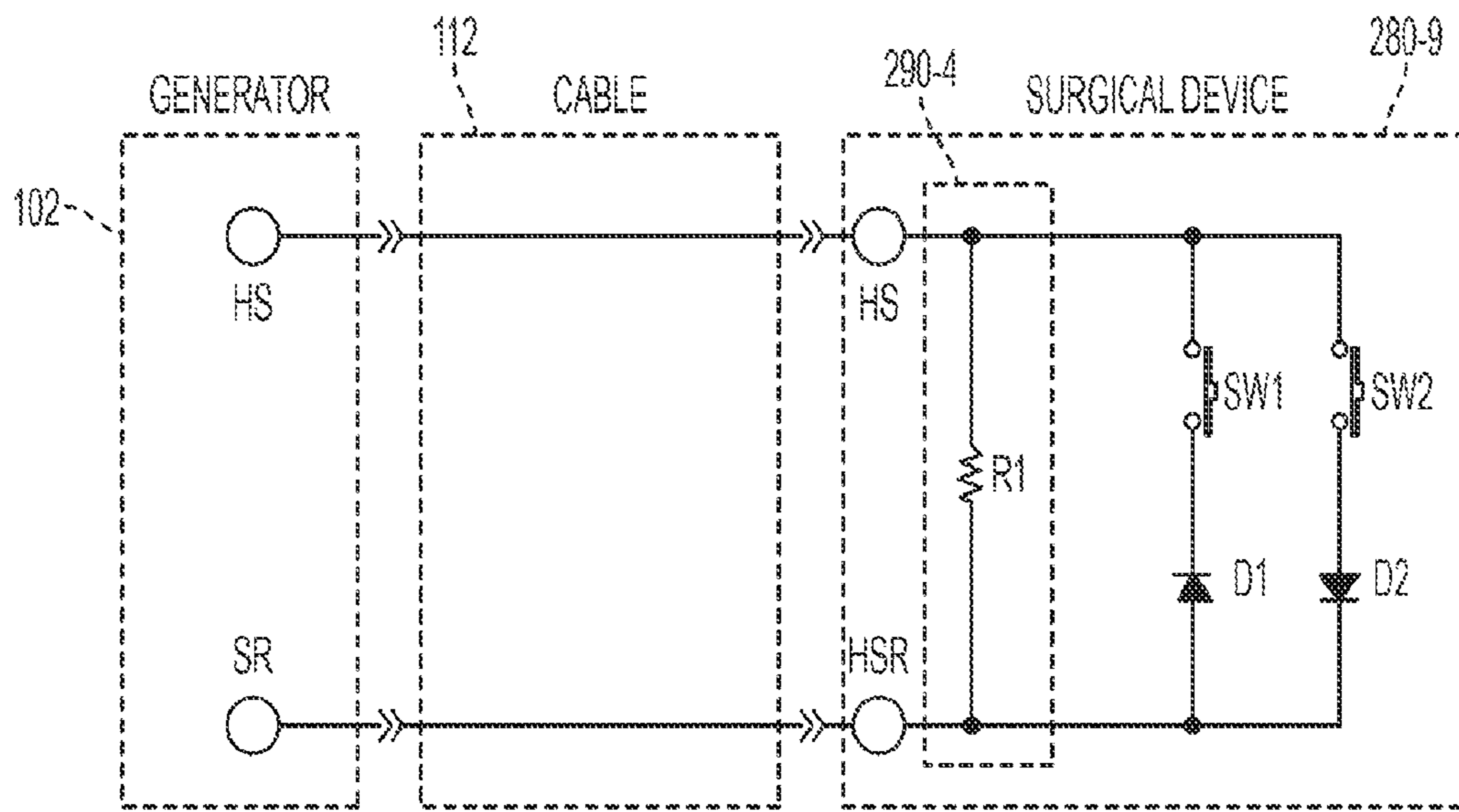


FIG. 32



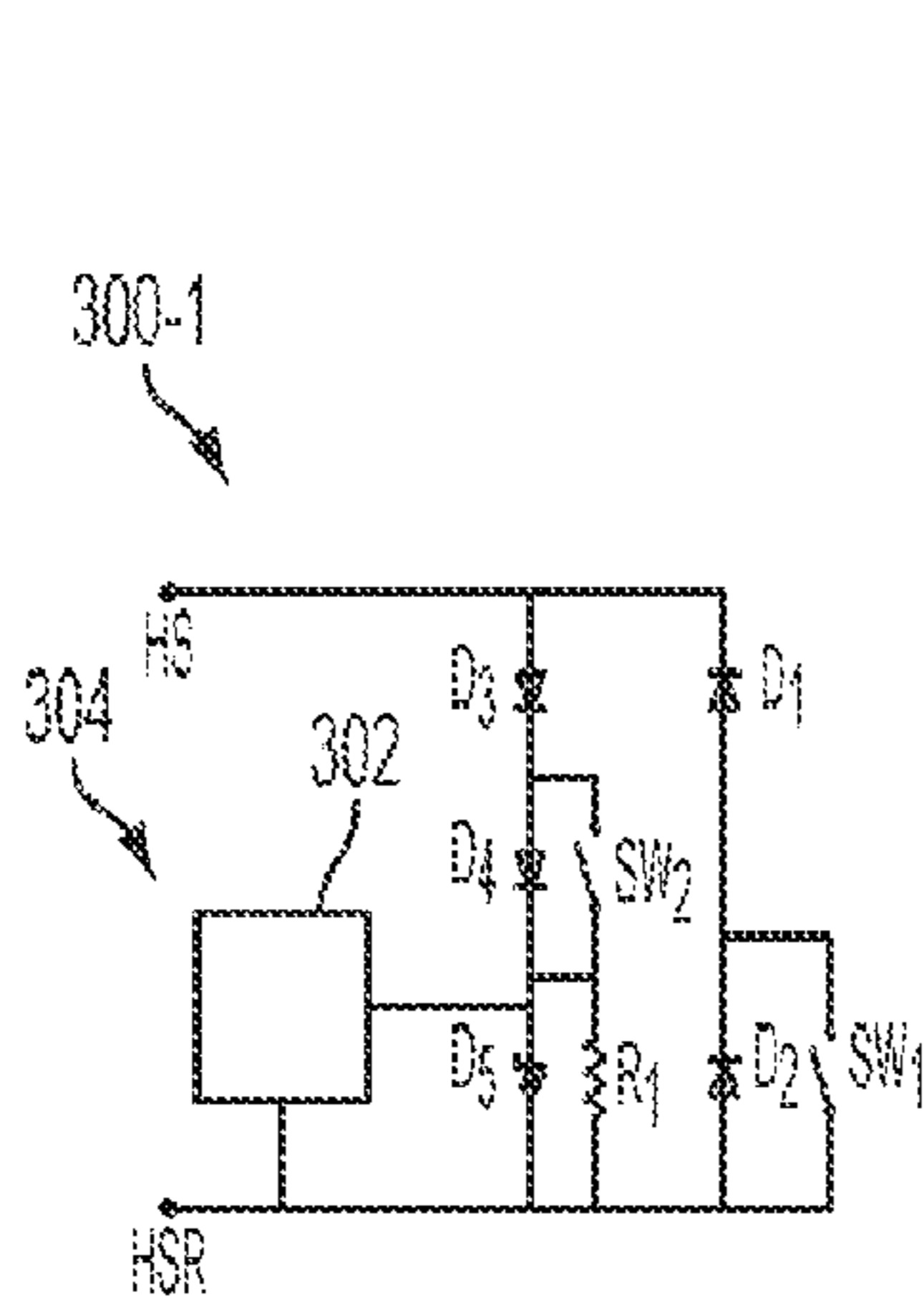


FIG. 33A

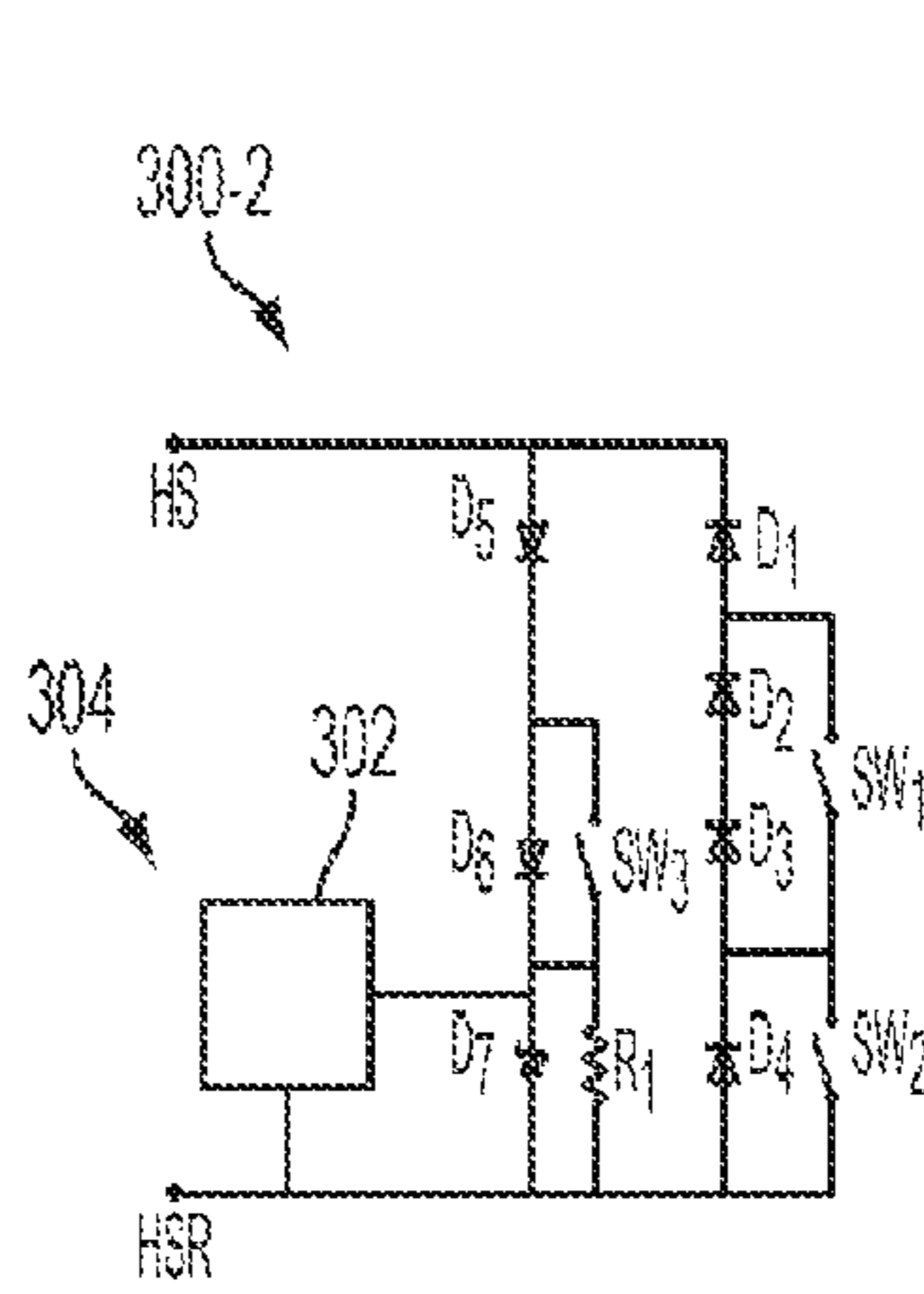


FIG. 33B

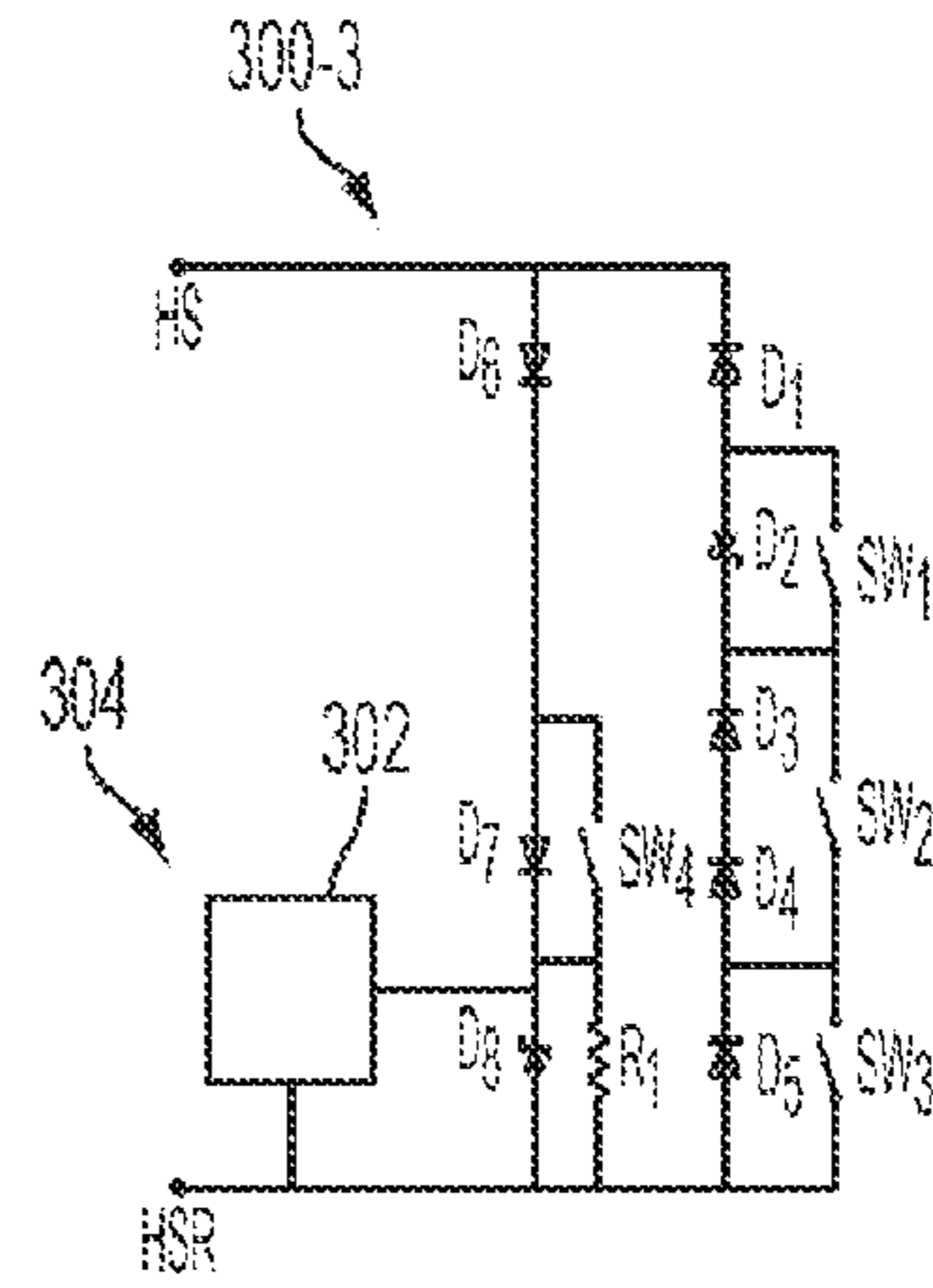


FIG. 33C

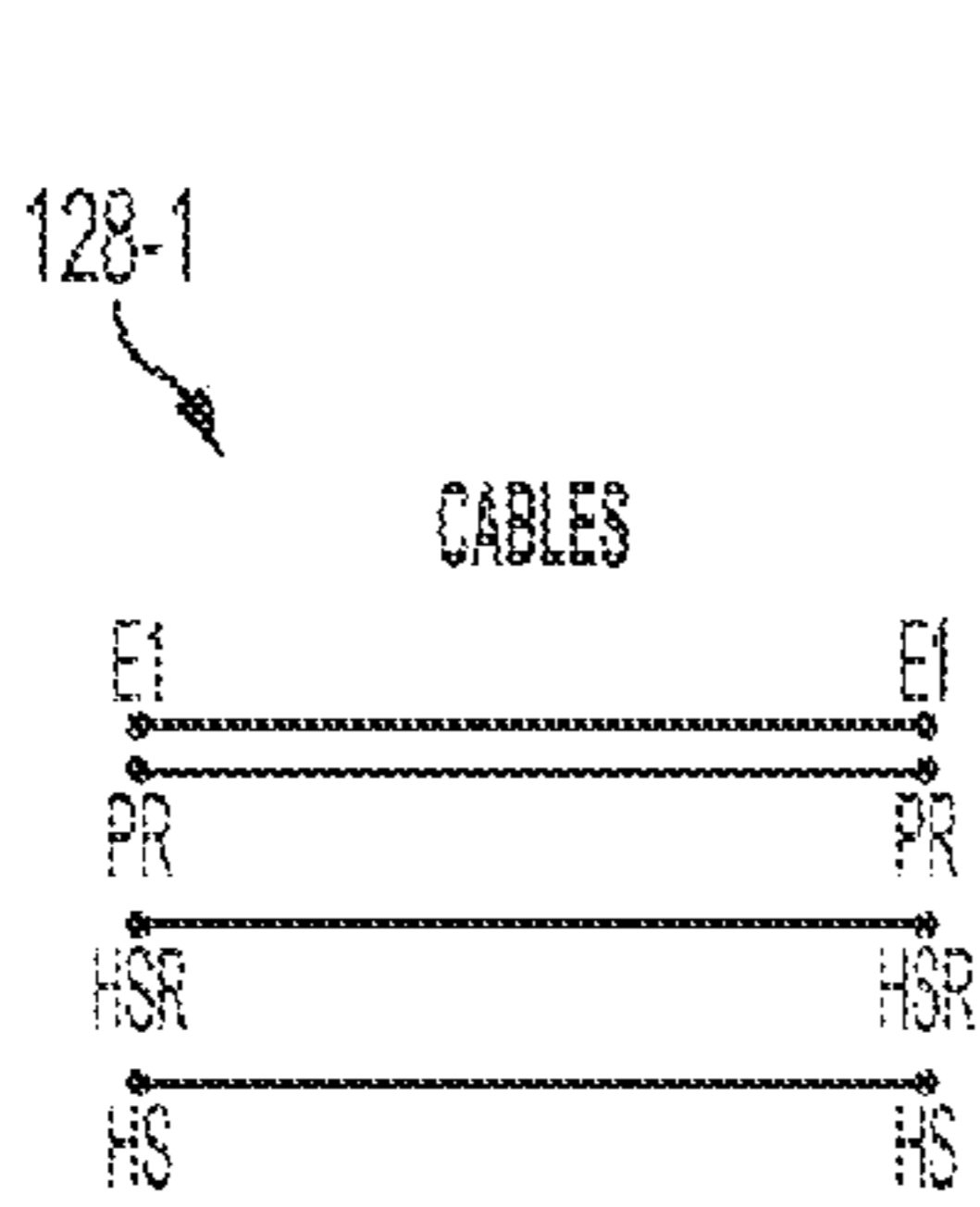


FIG. 33D

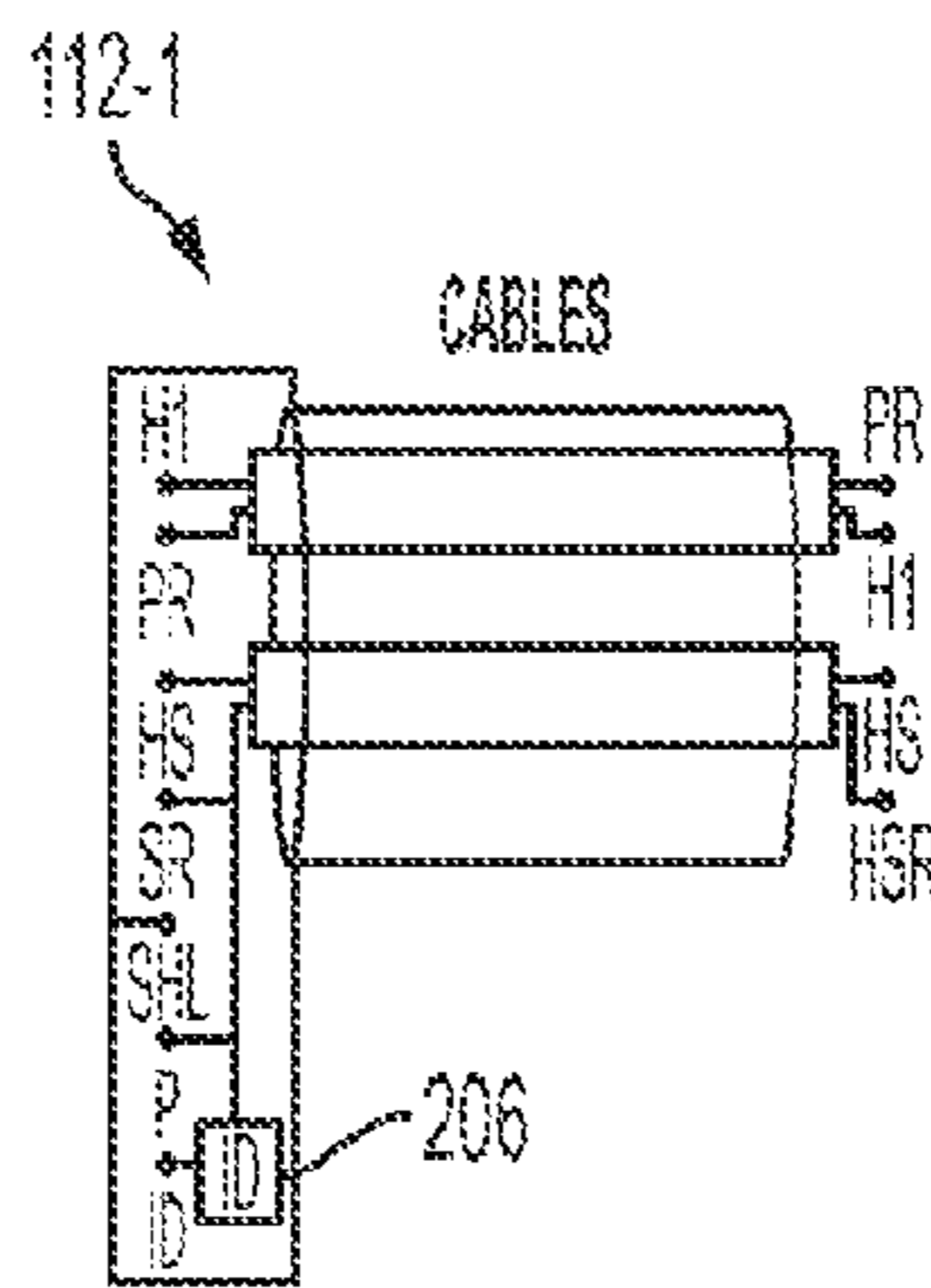


FIG. 33E

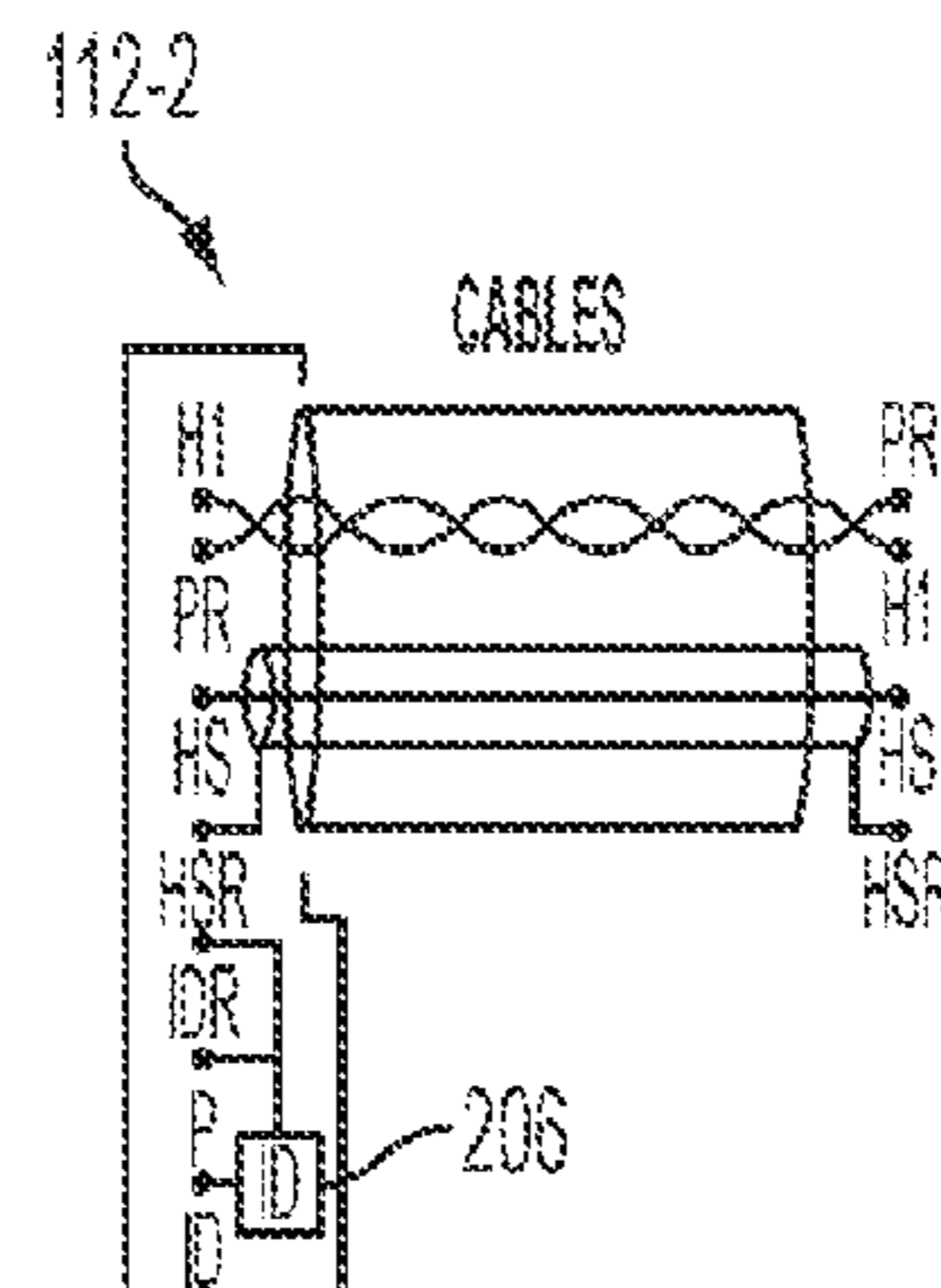


FIG. 33F

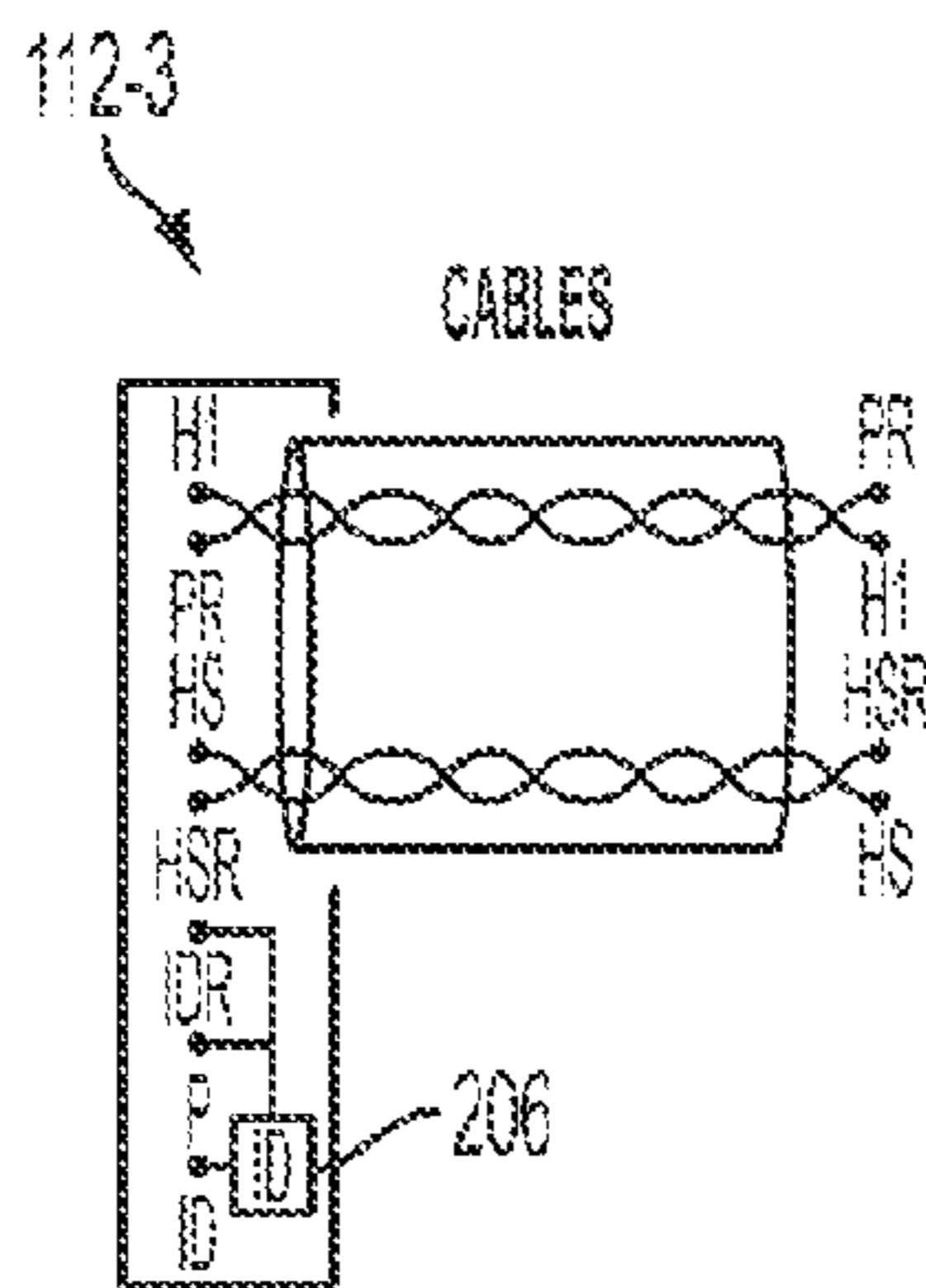


FIG. 33G

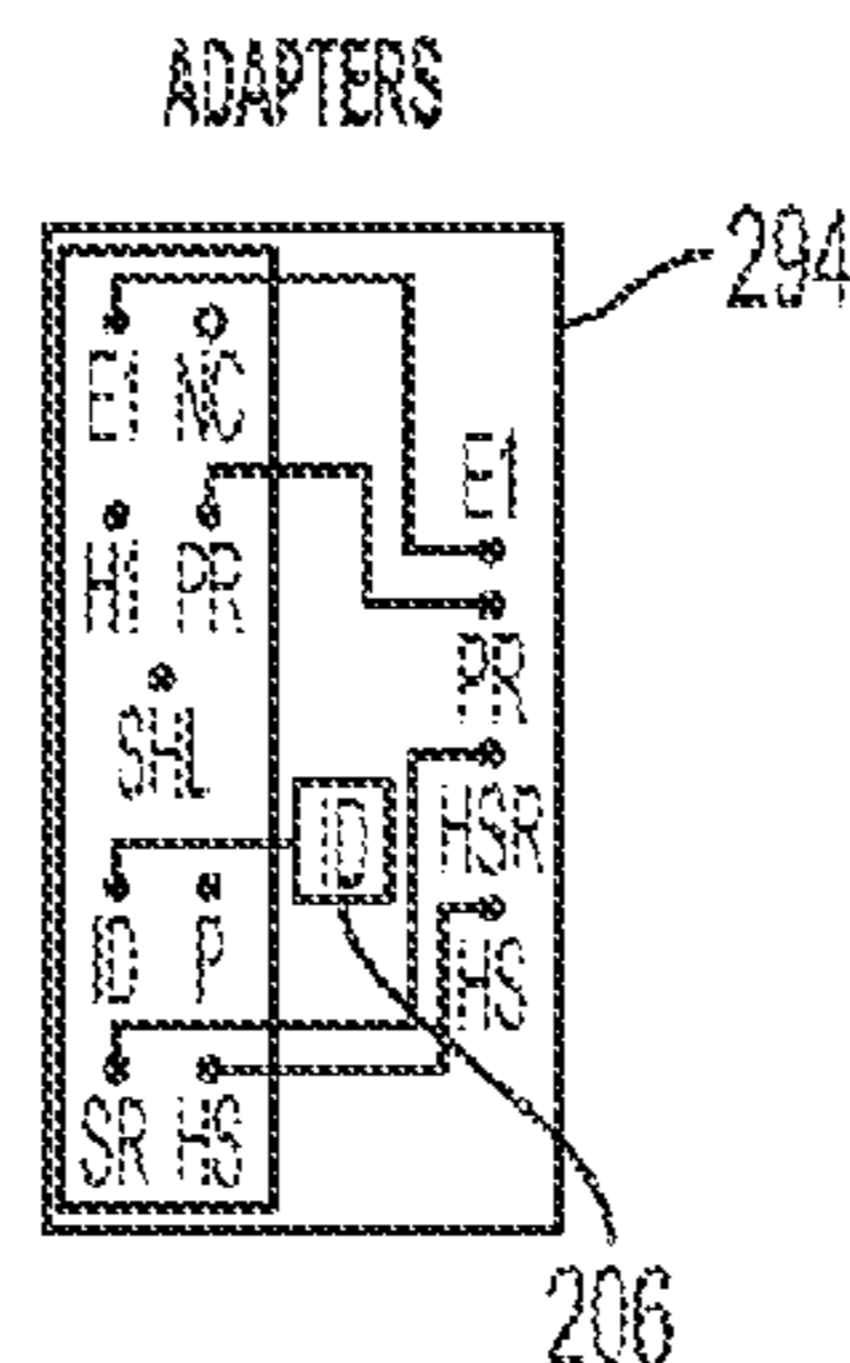


FIG. 33H

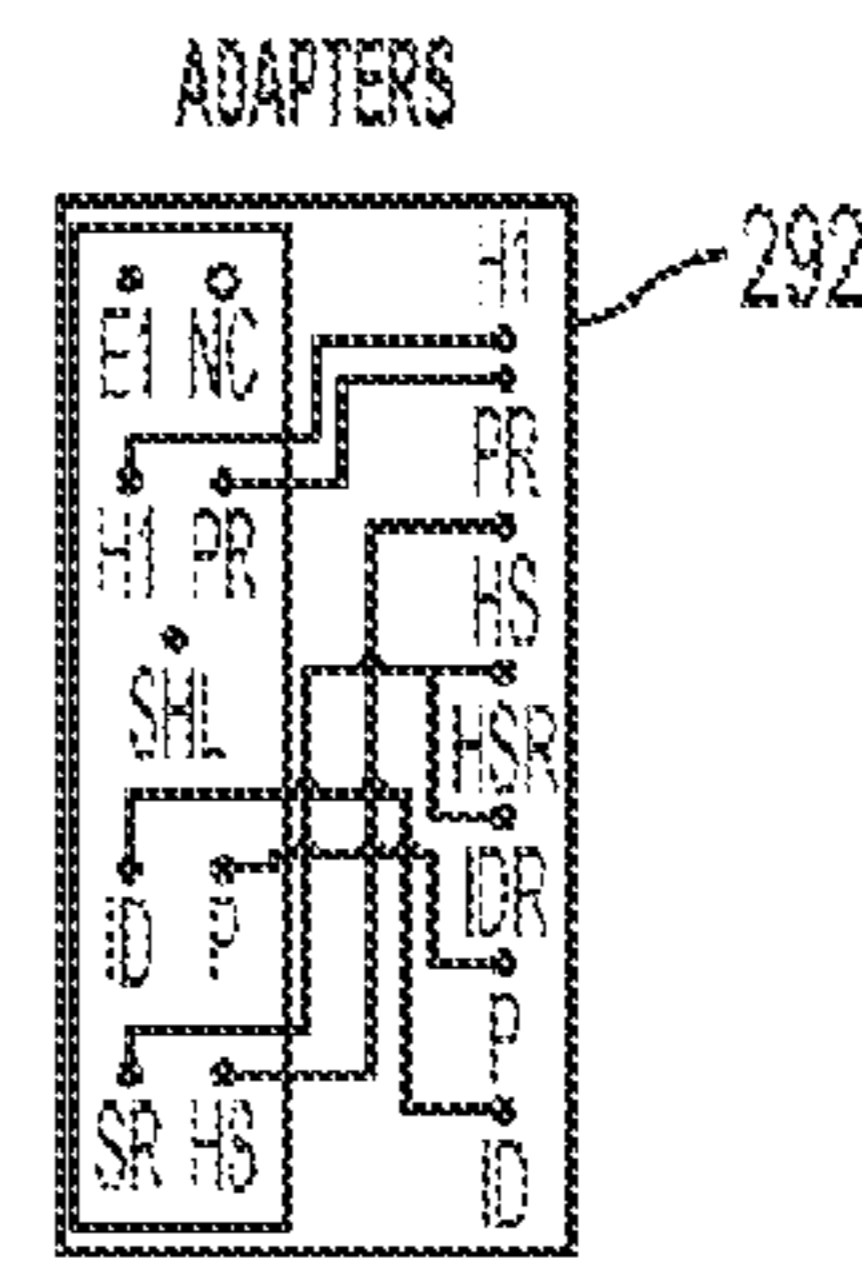


FIG. 33I

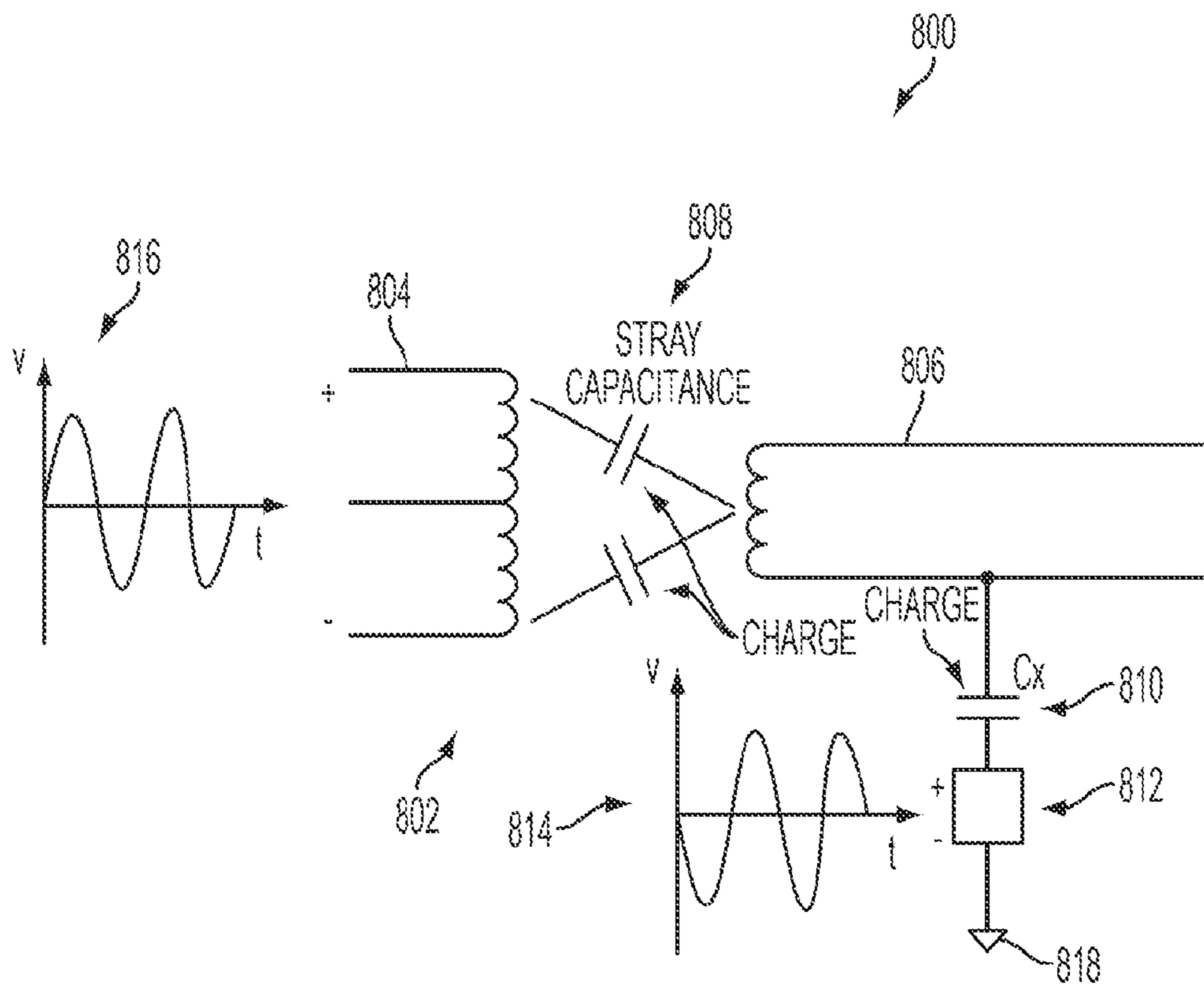


FIG. 34



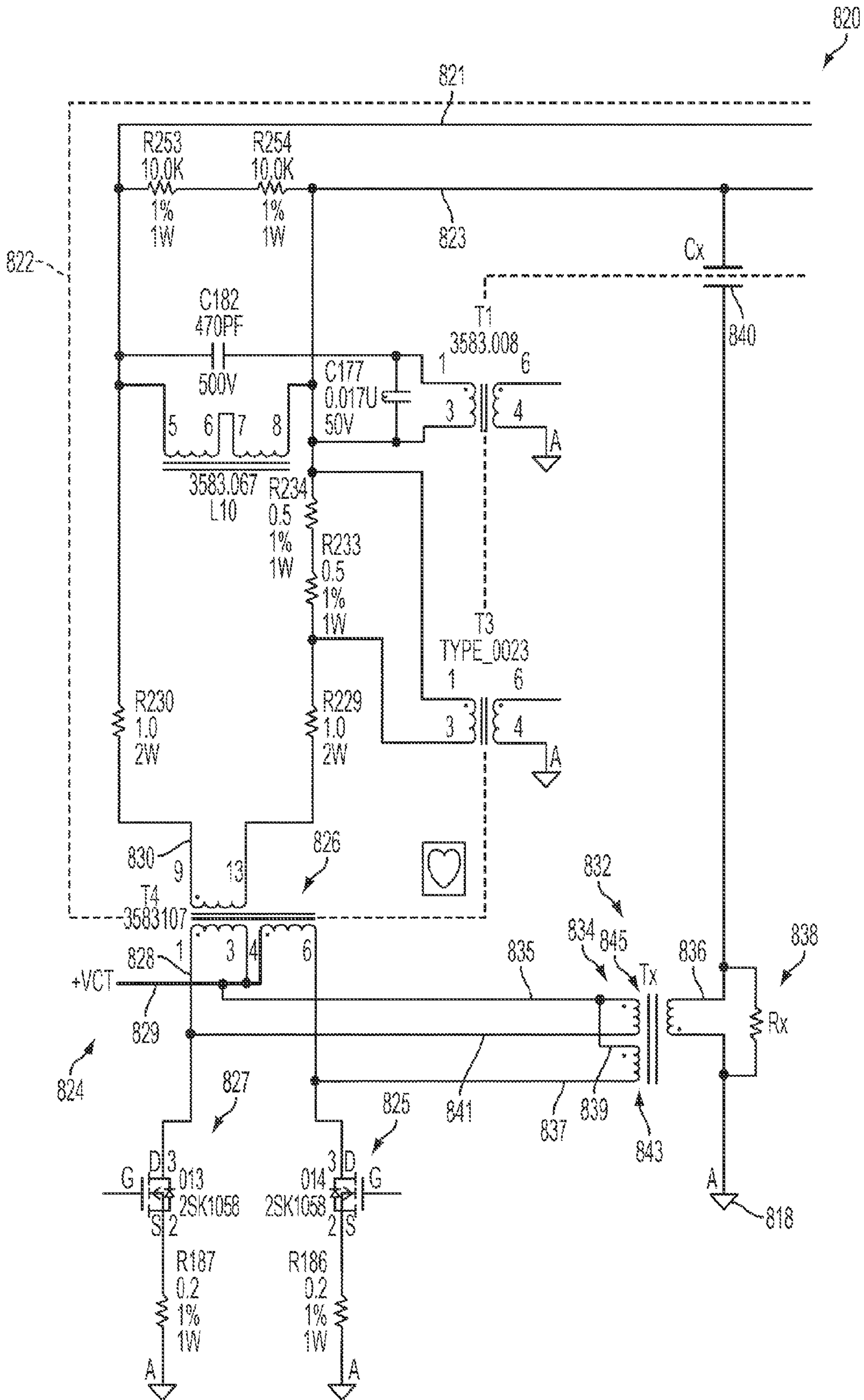


FIG. 35





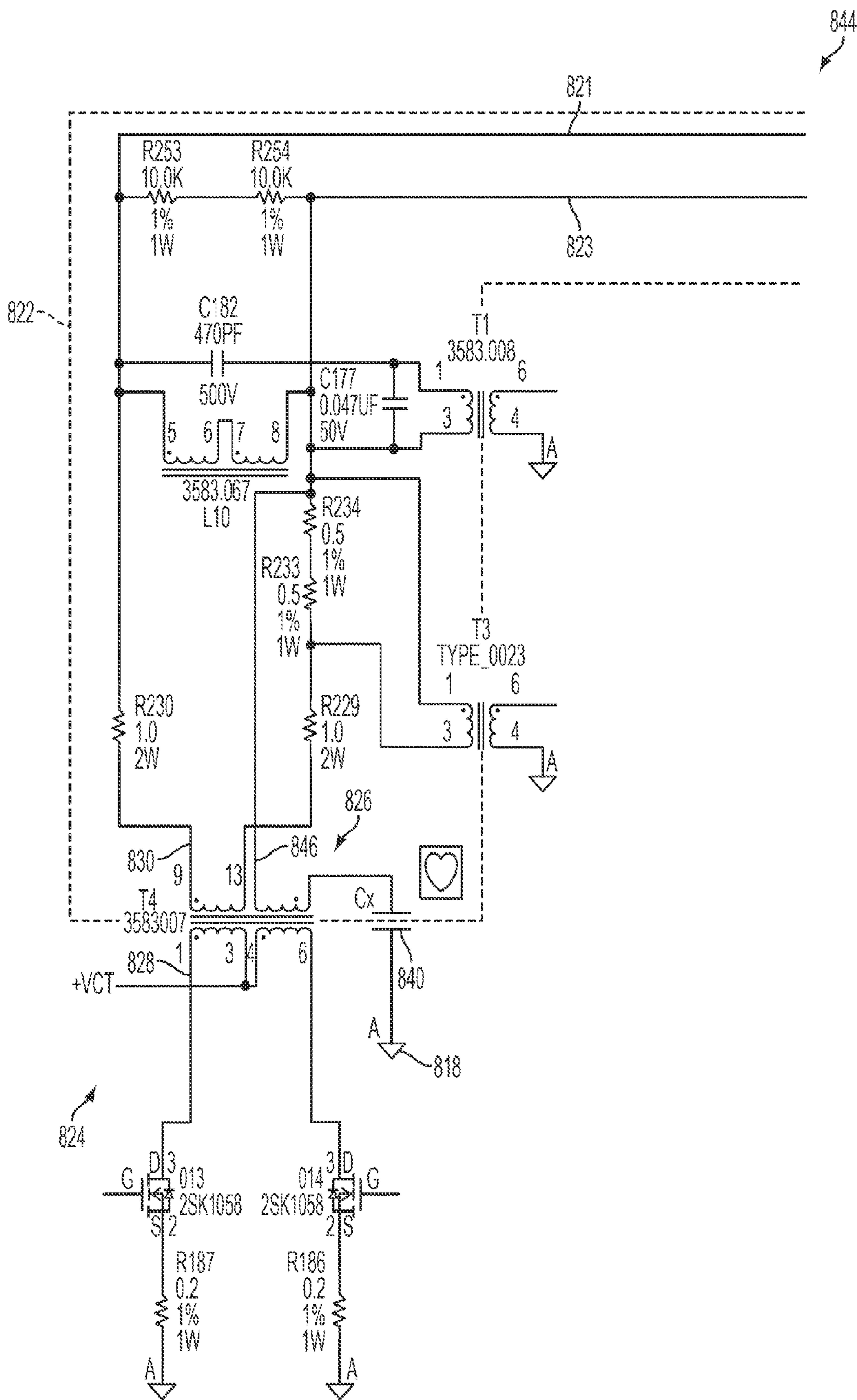


FIG. 37

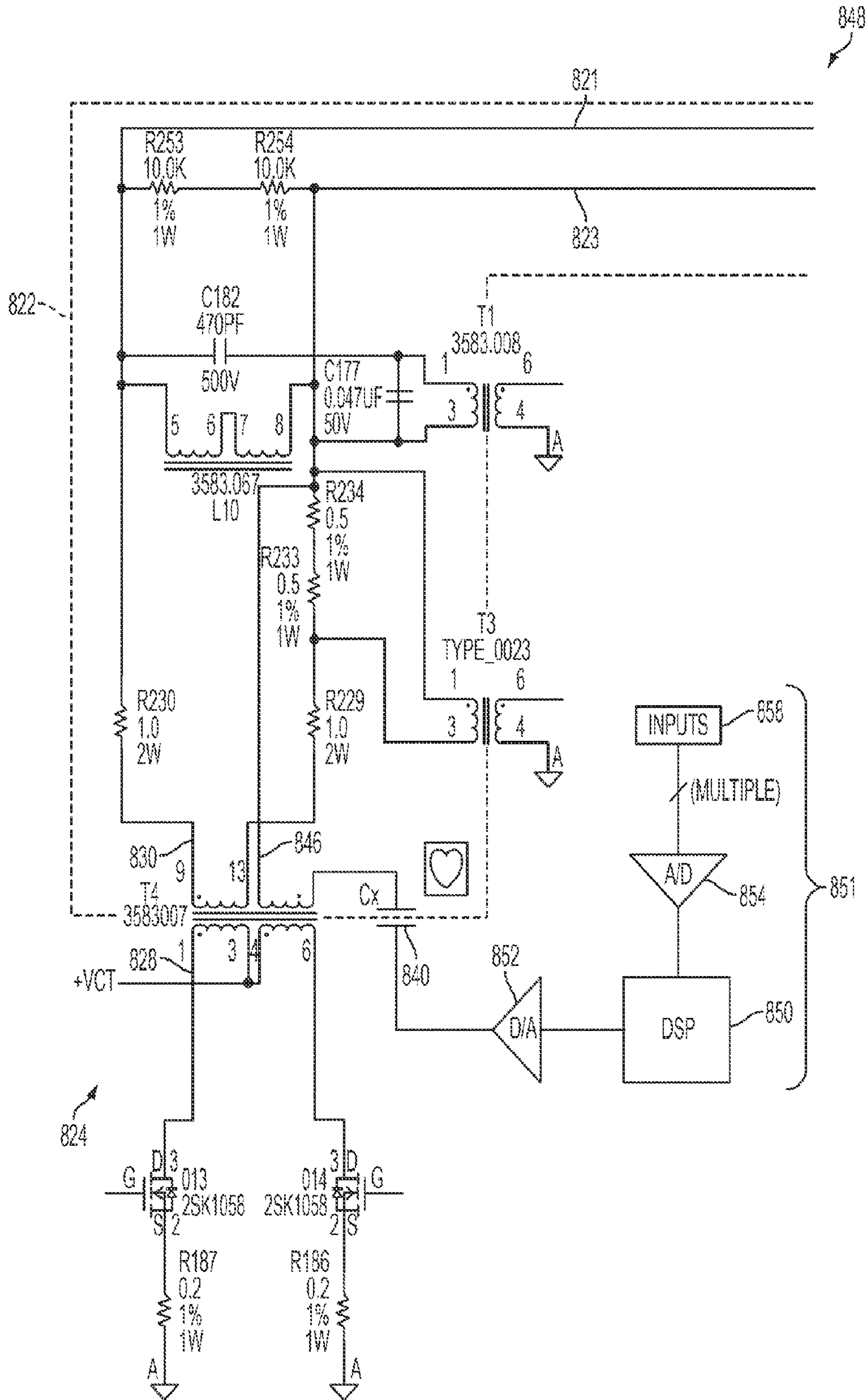


FIG. 38



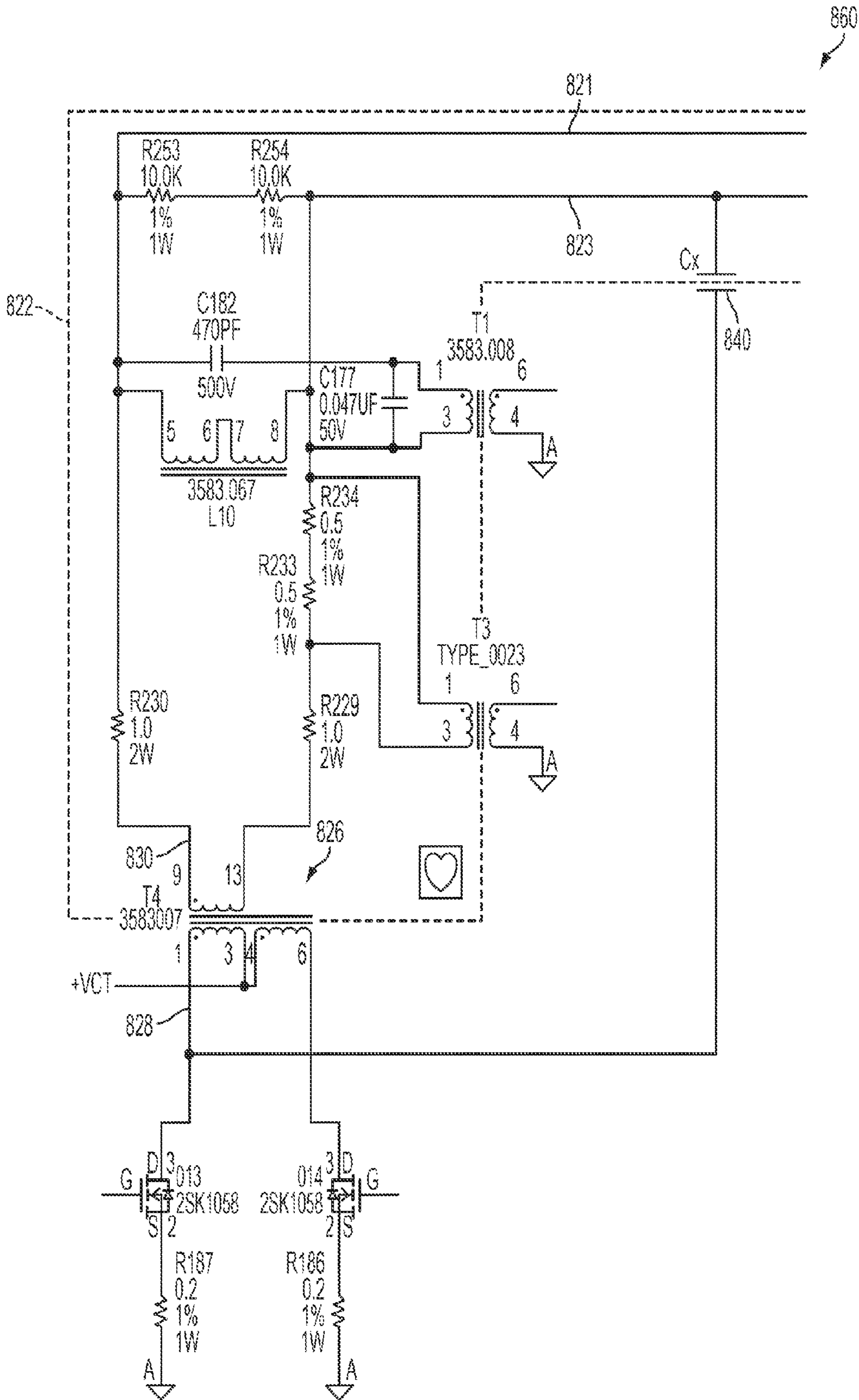


FIG. 39

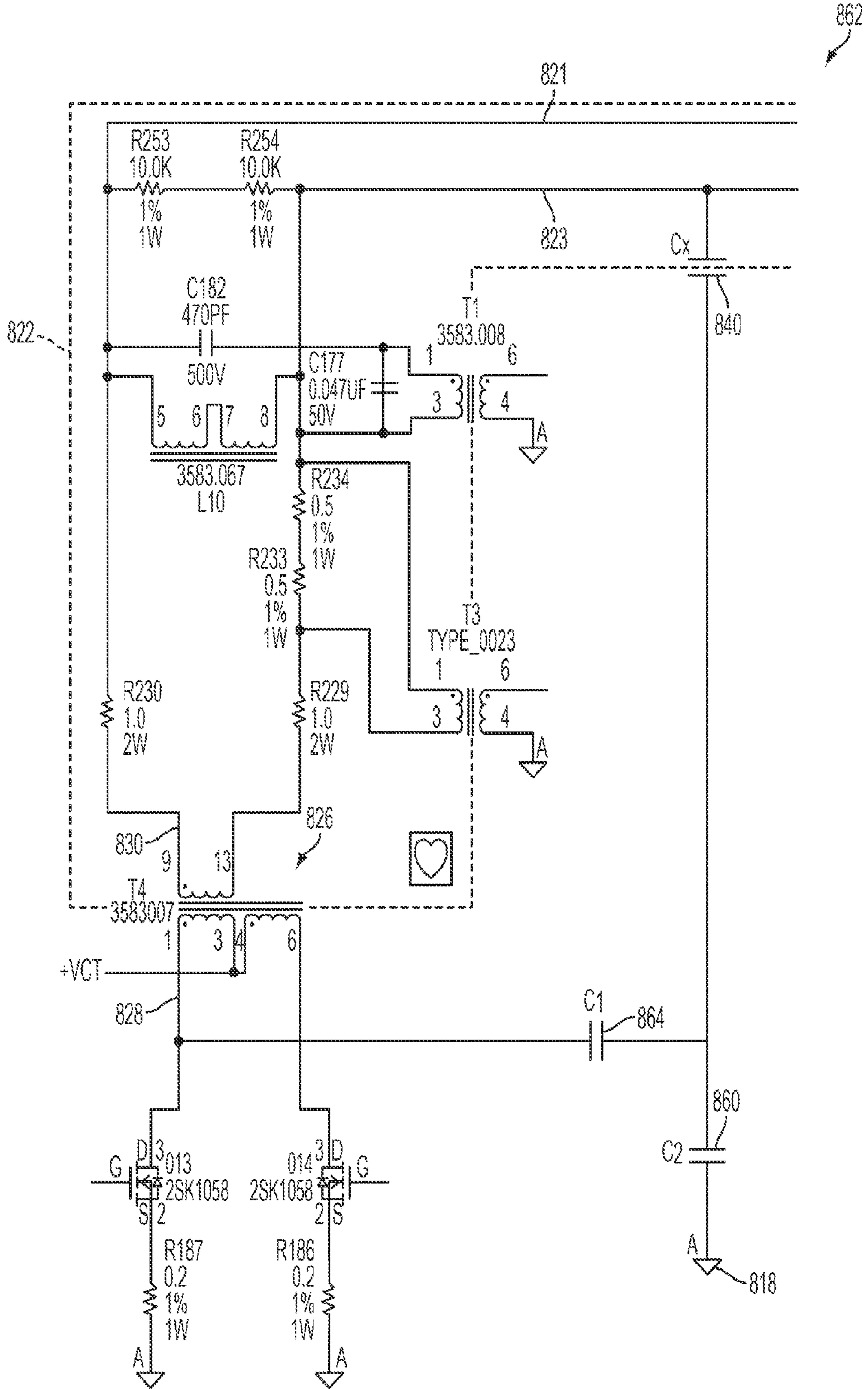


FIG. 40

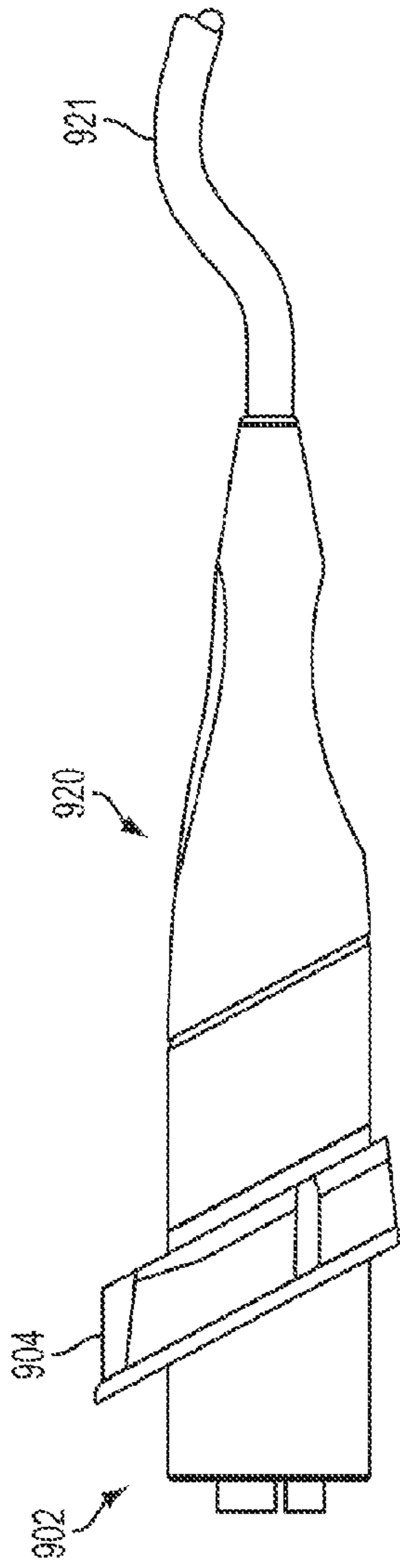


FIG. 41

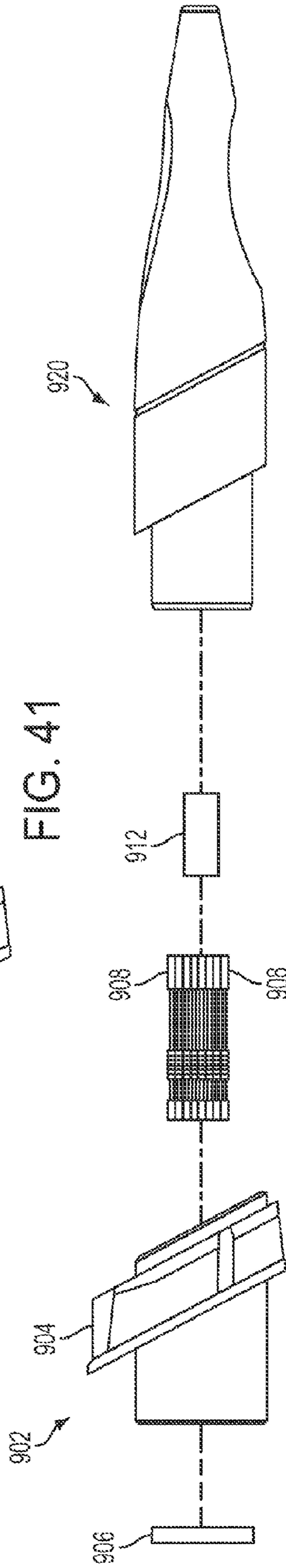


FIG. 42

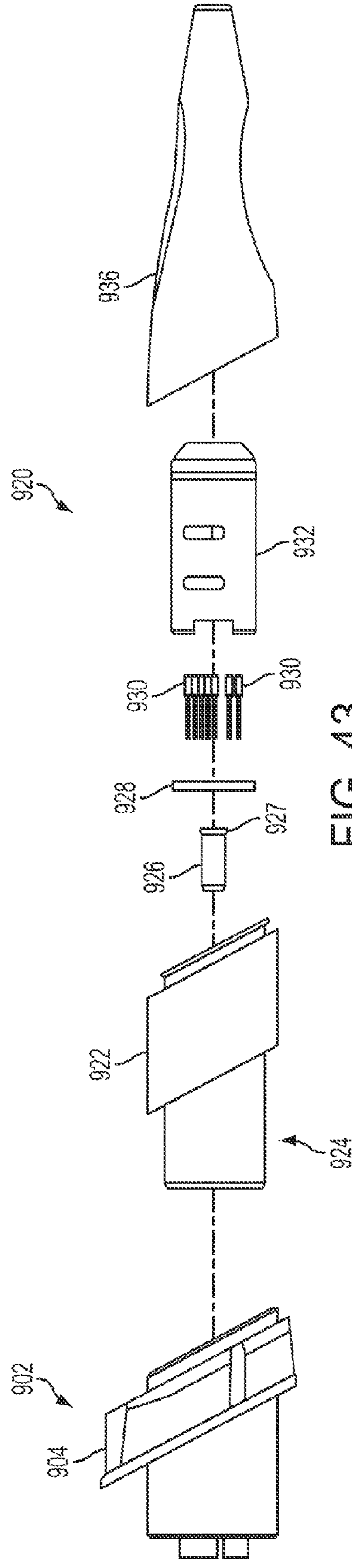


FIG. 43



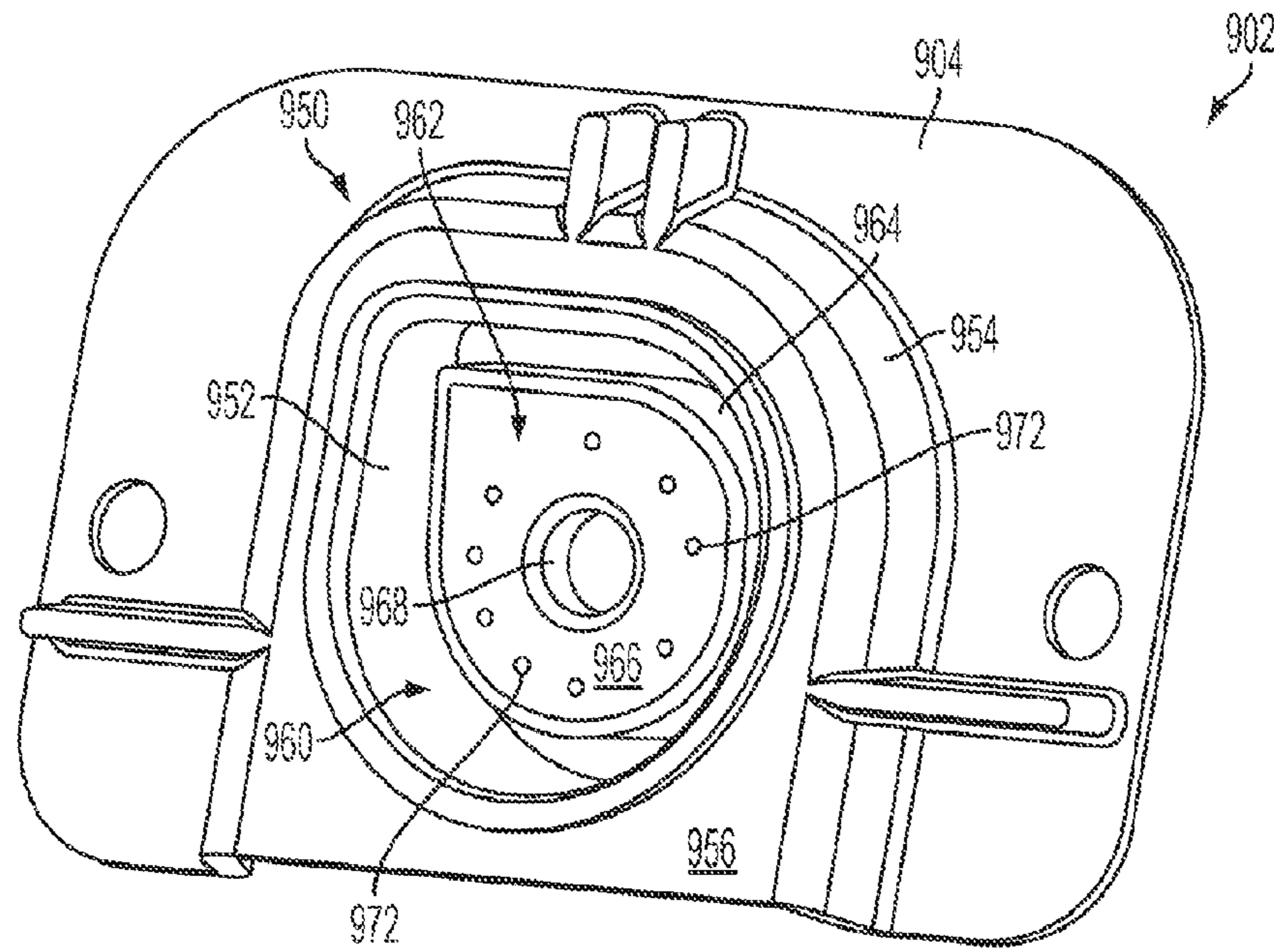


FIG. 44

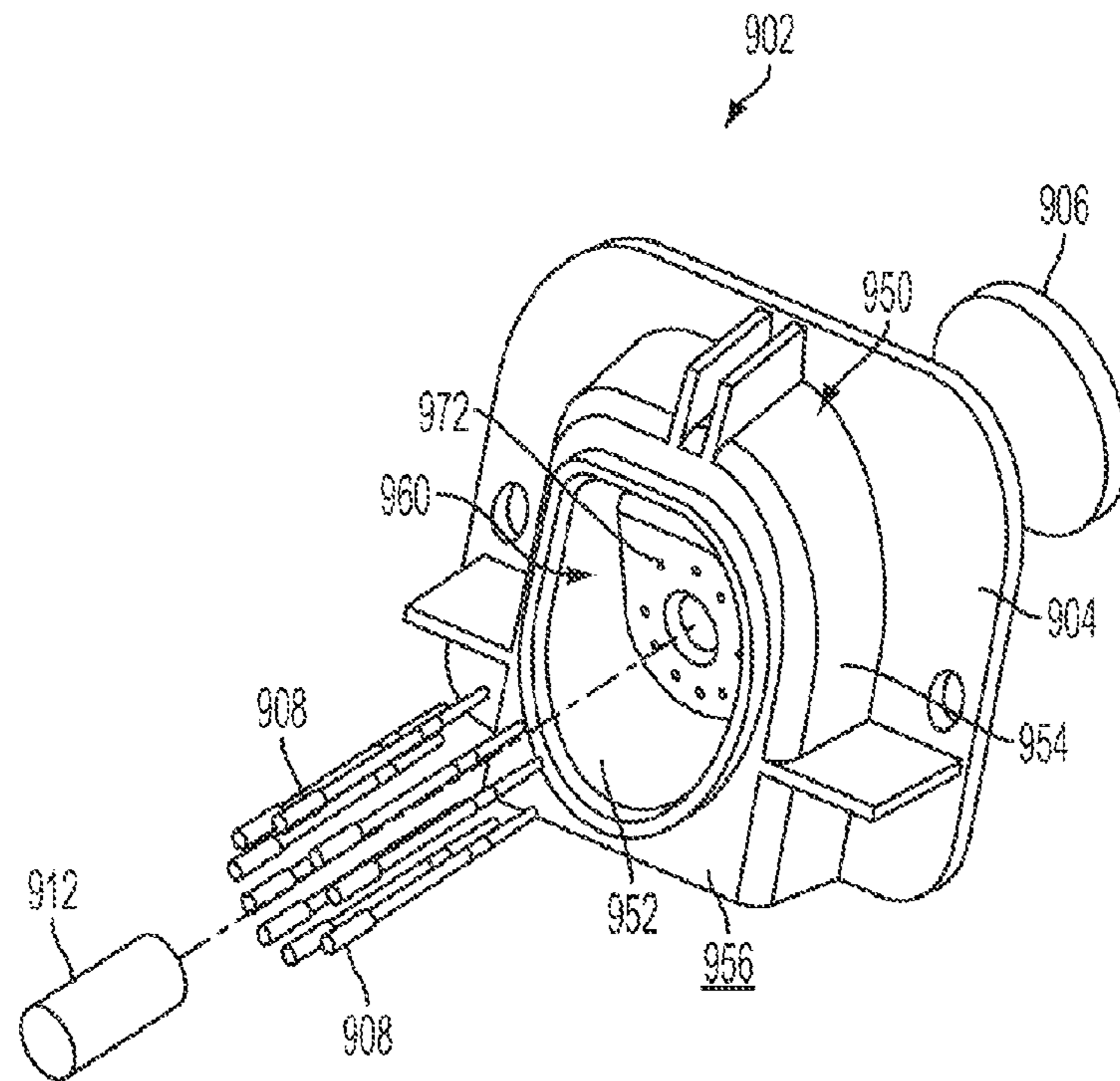


FIG. 45

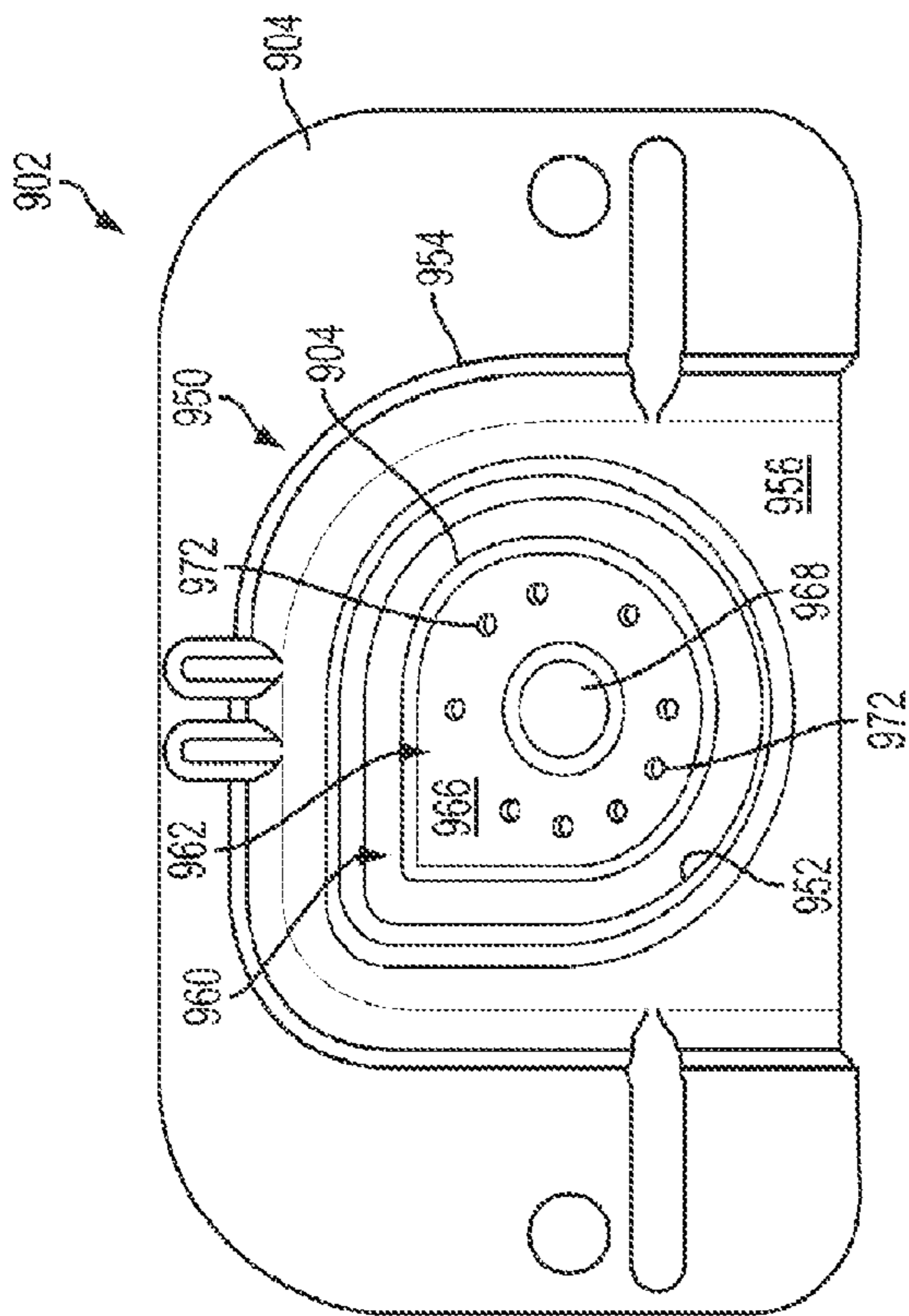


FIG. 46

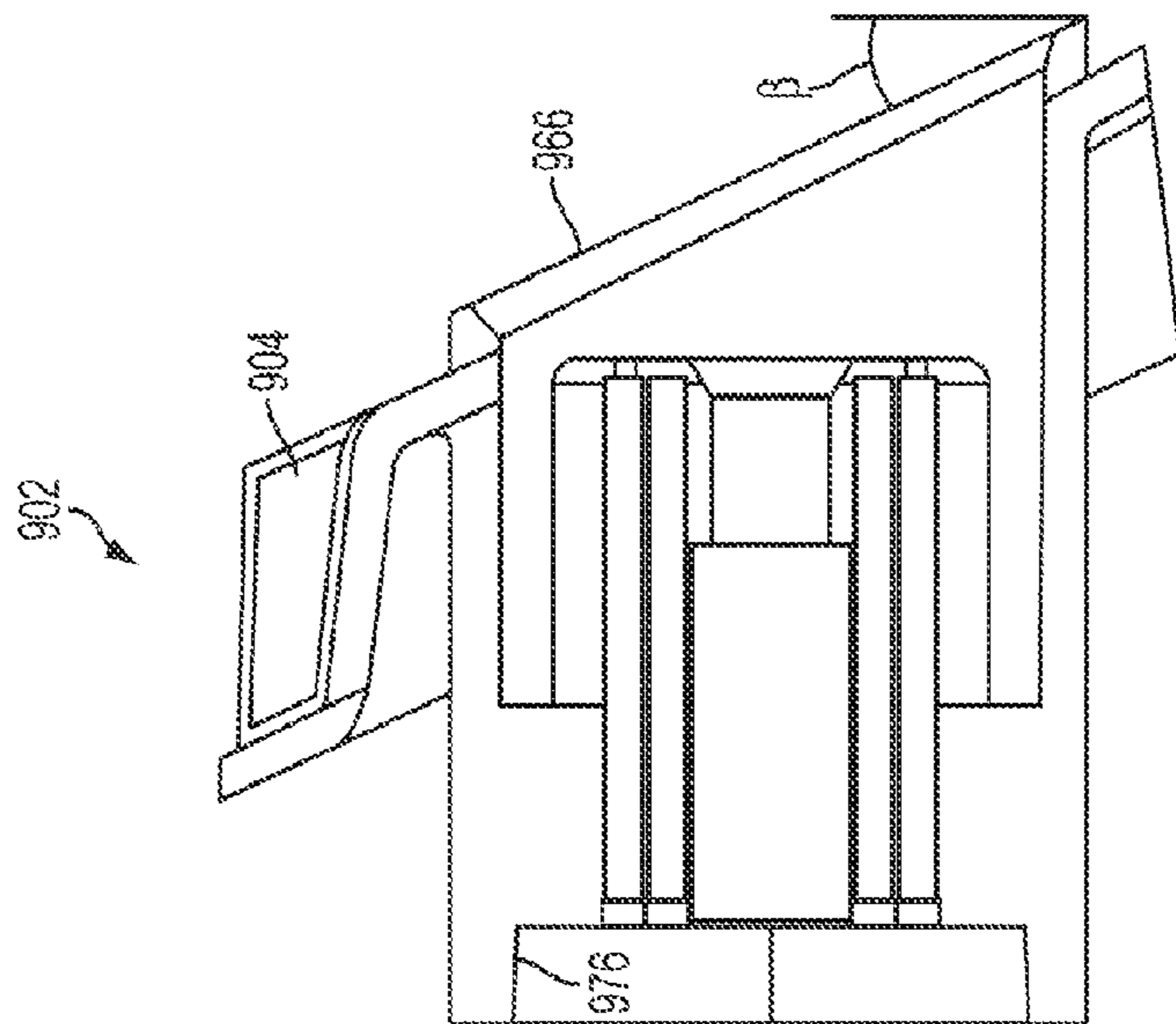


FIG. 47

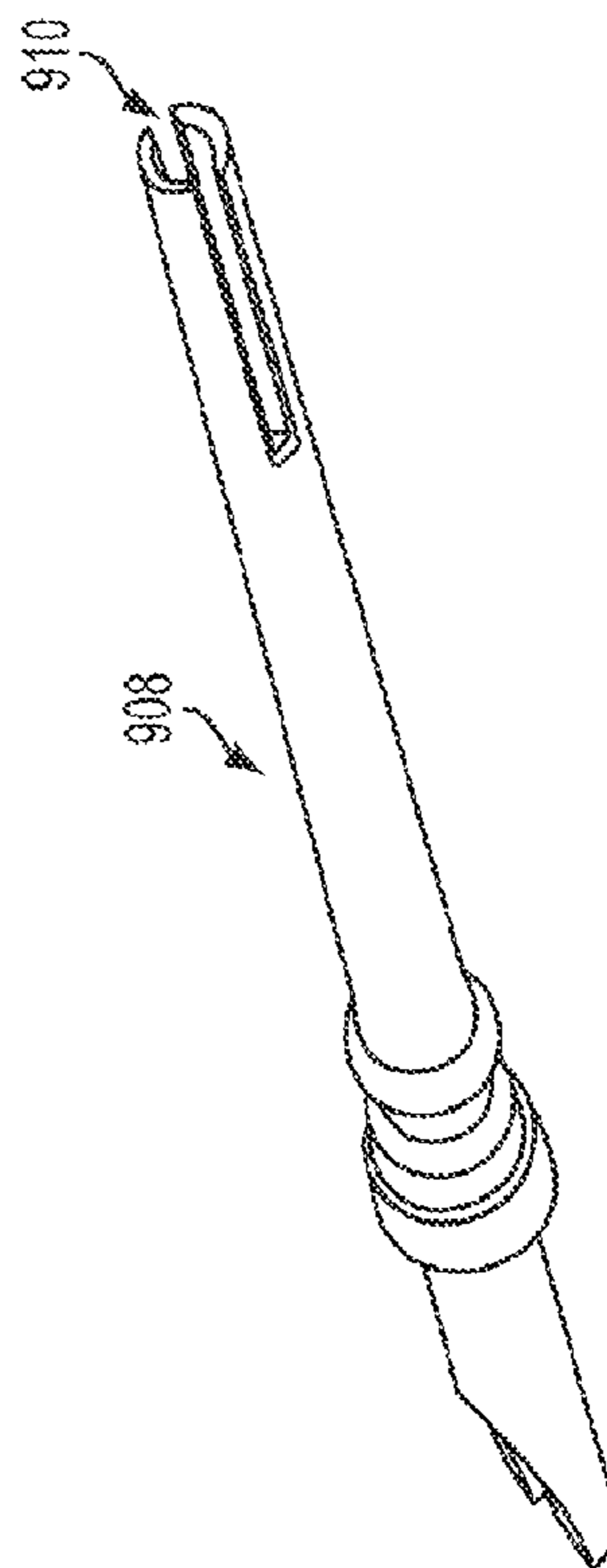


FIG. 48

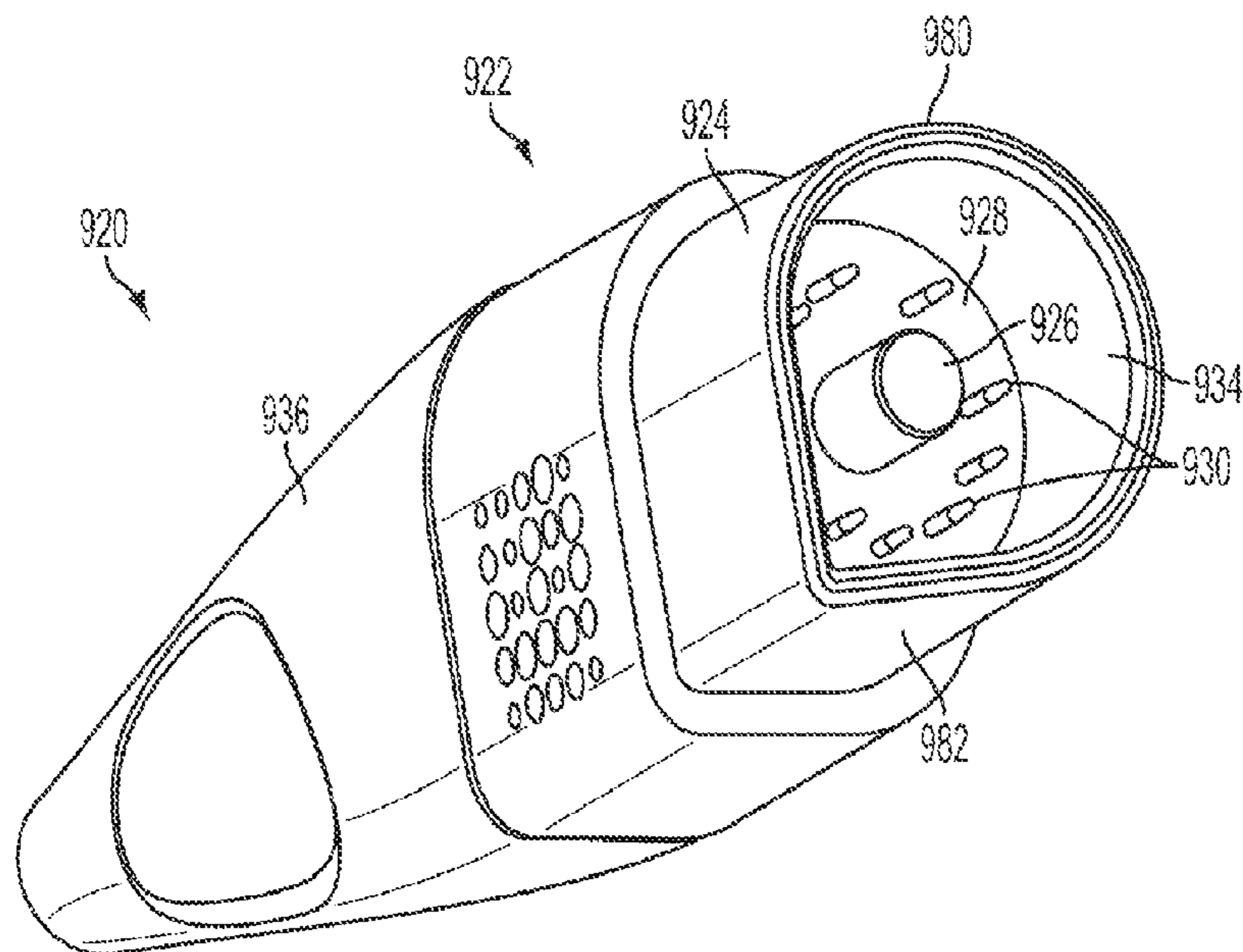


FIG. 49

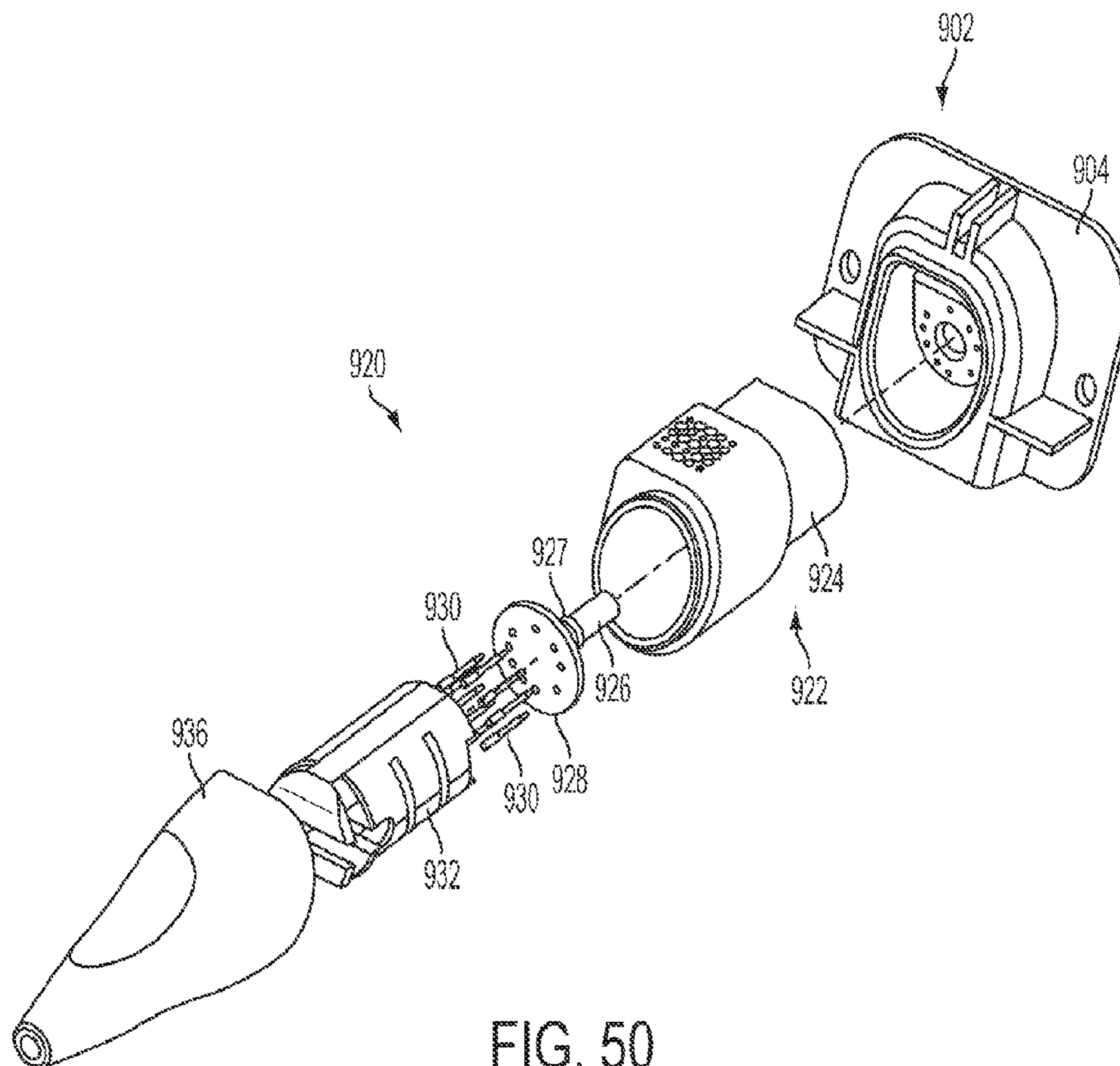


FIG. 50



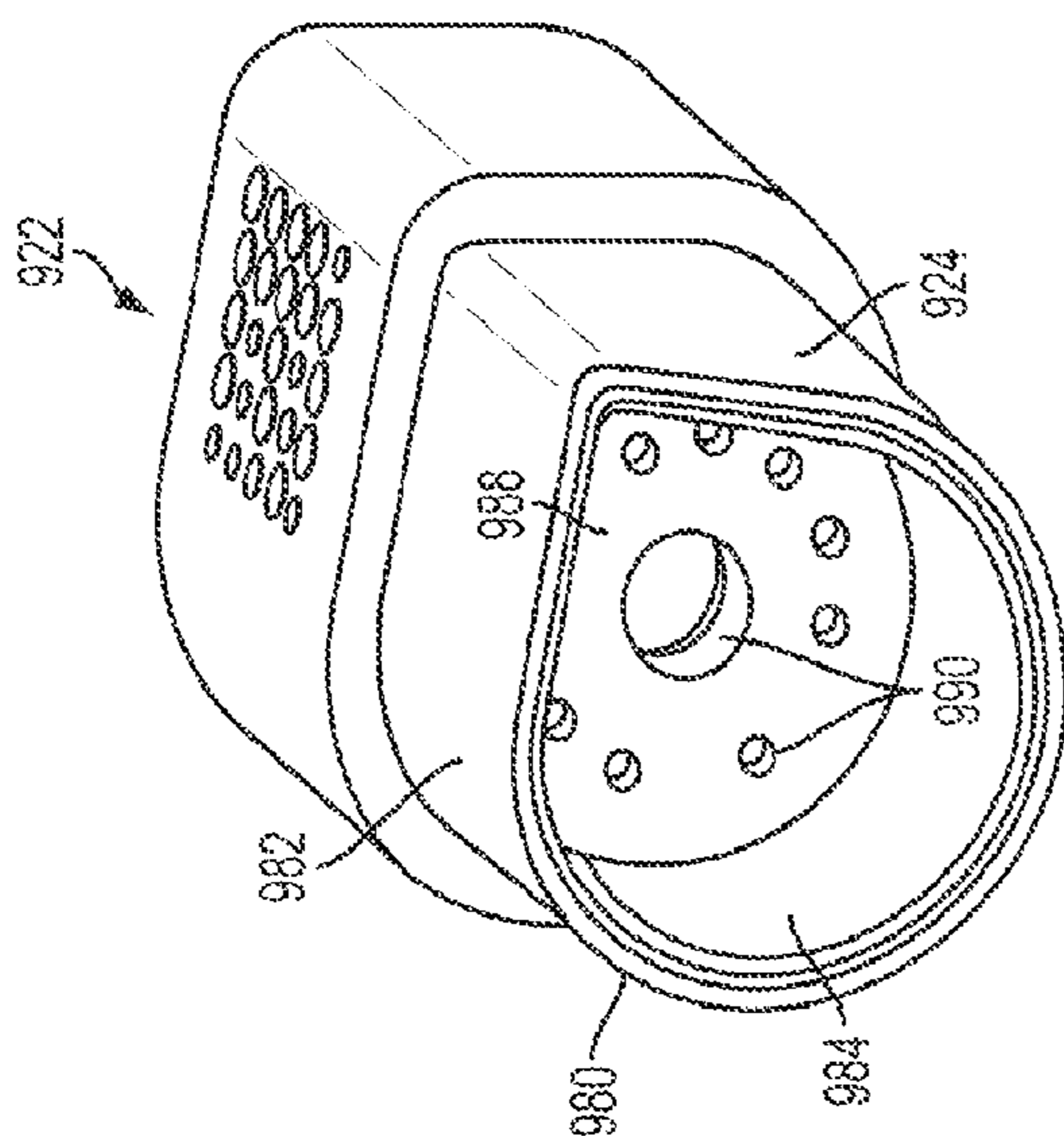


FIG. 52

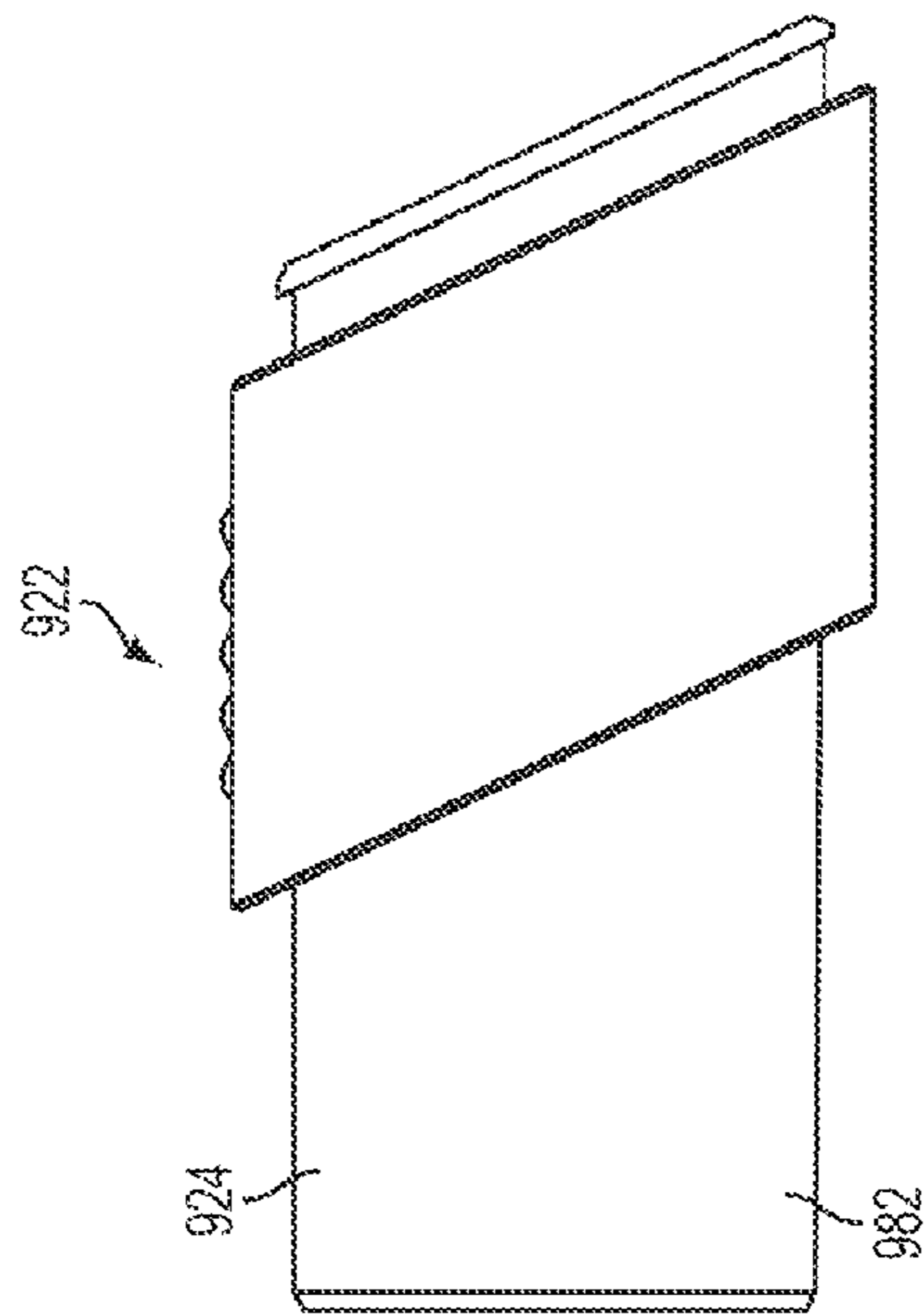


FIG. 51

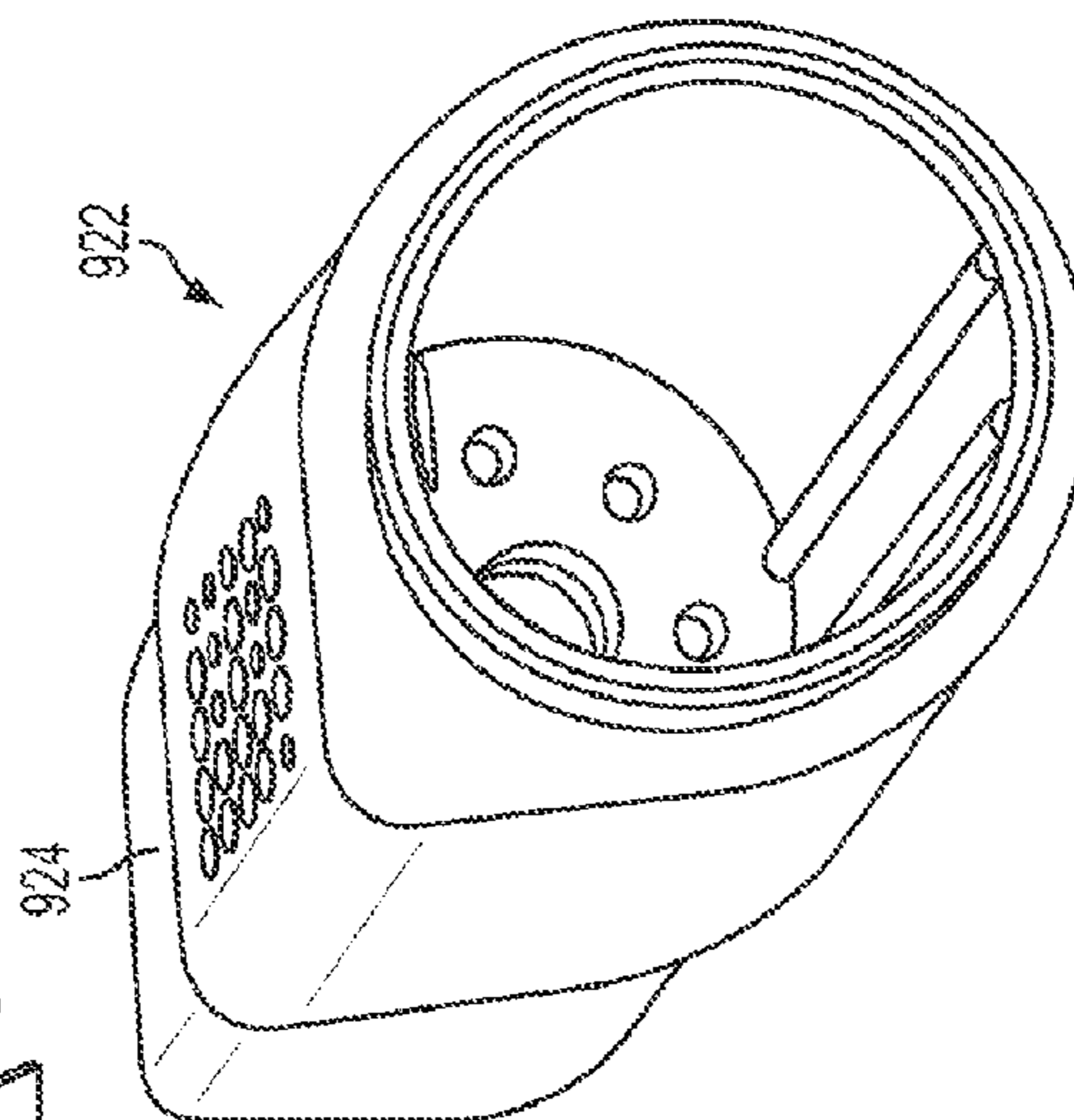


FIG. 53

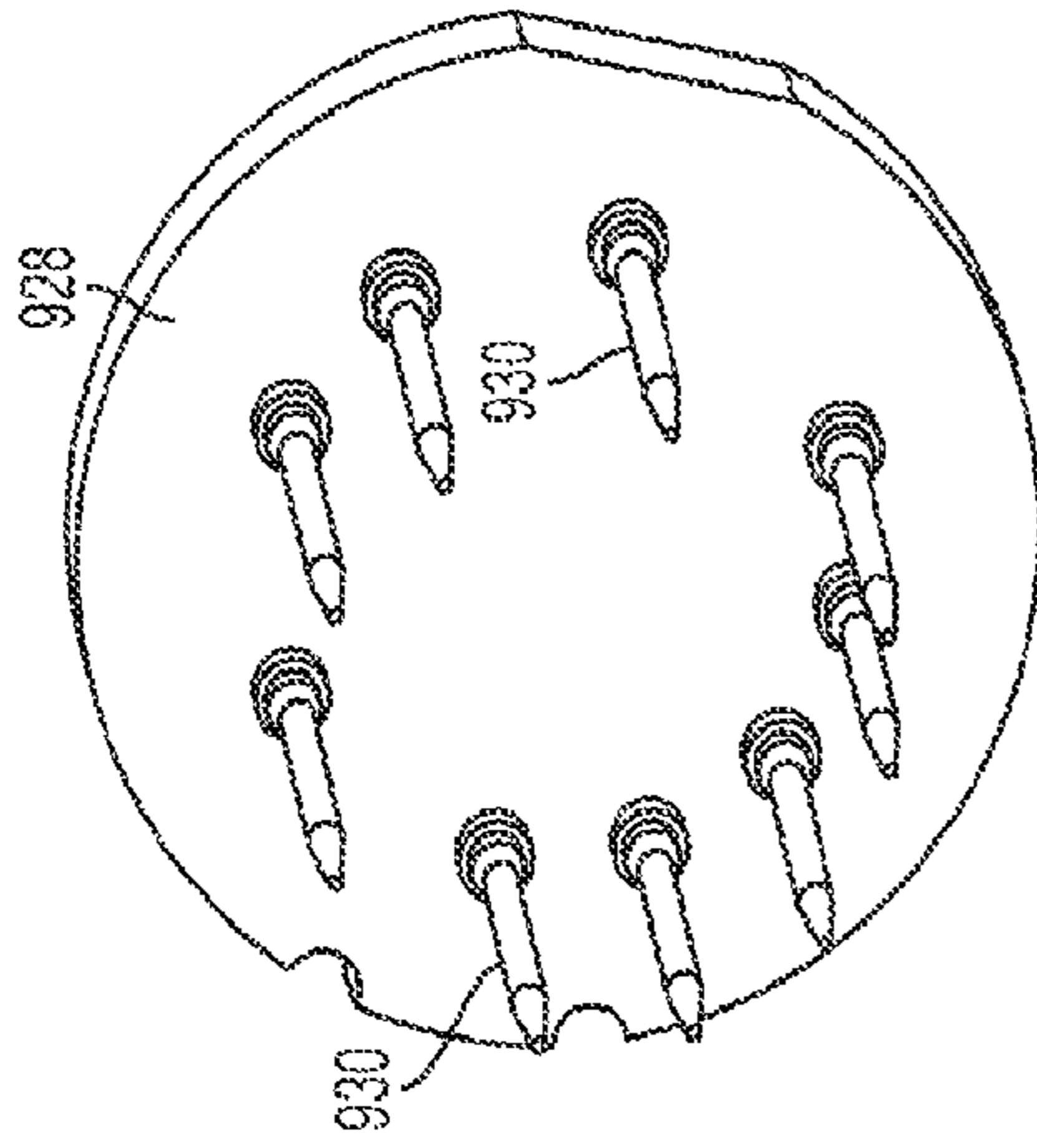


FIG. 55

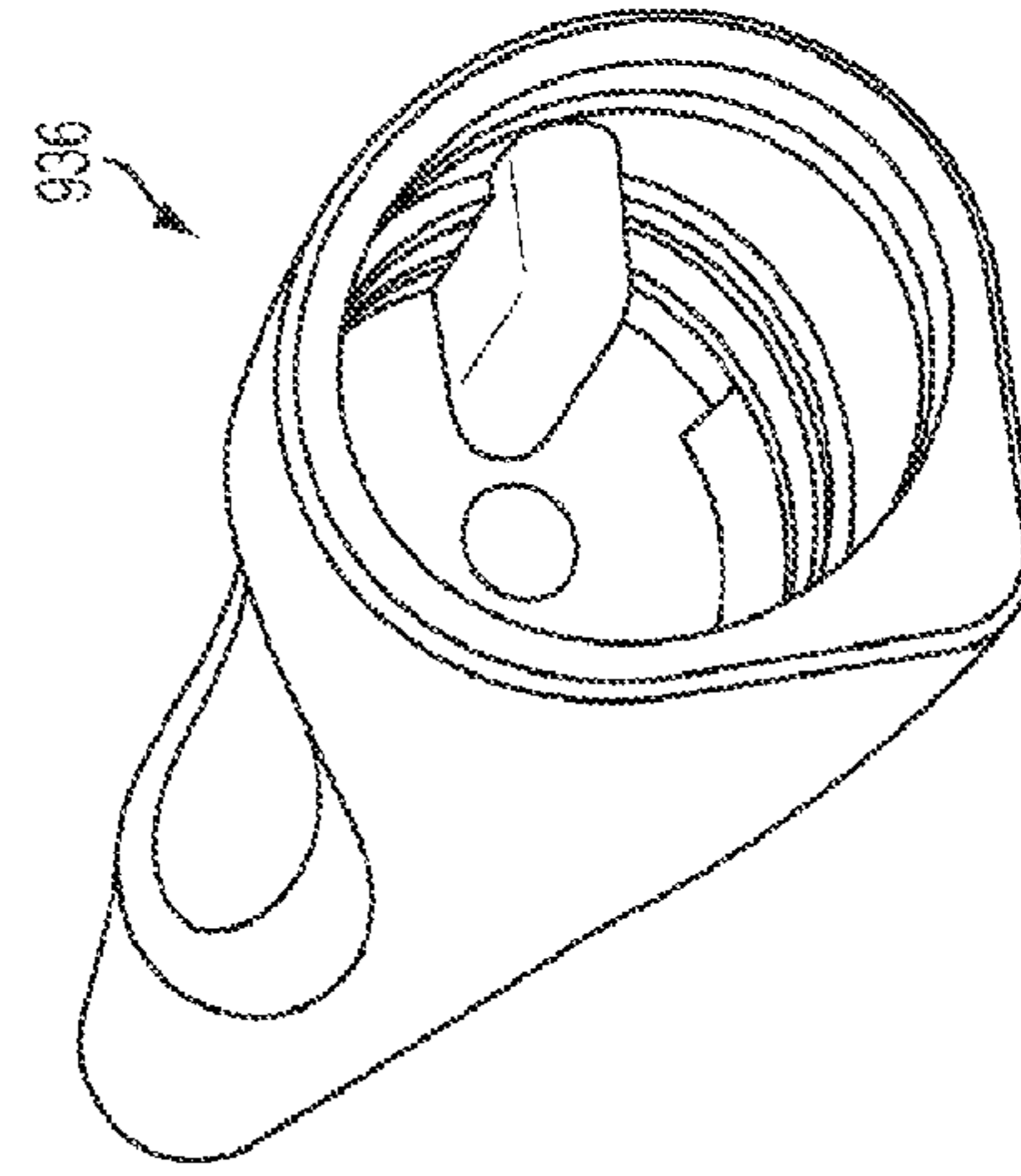


FIG. 57

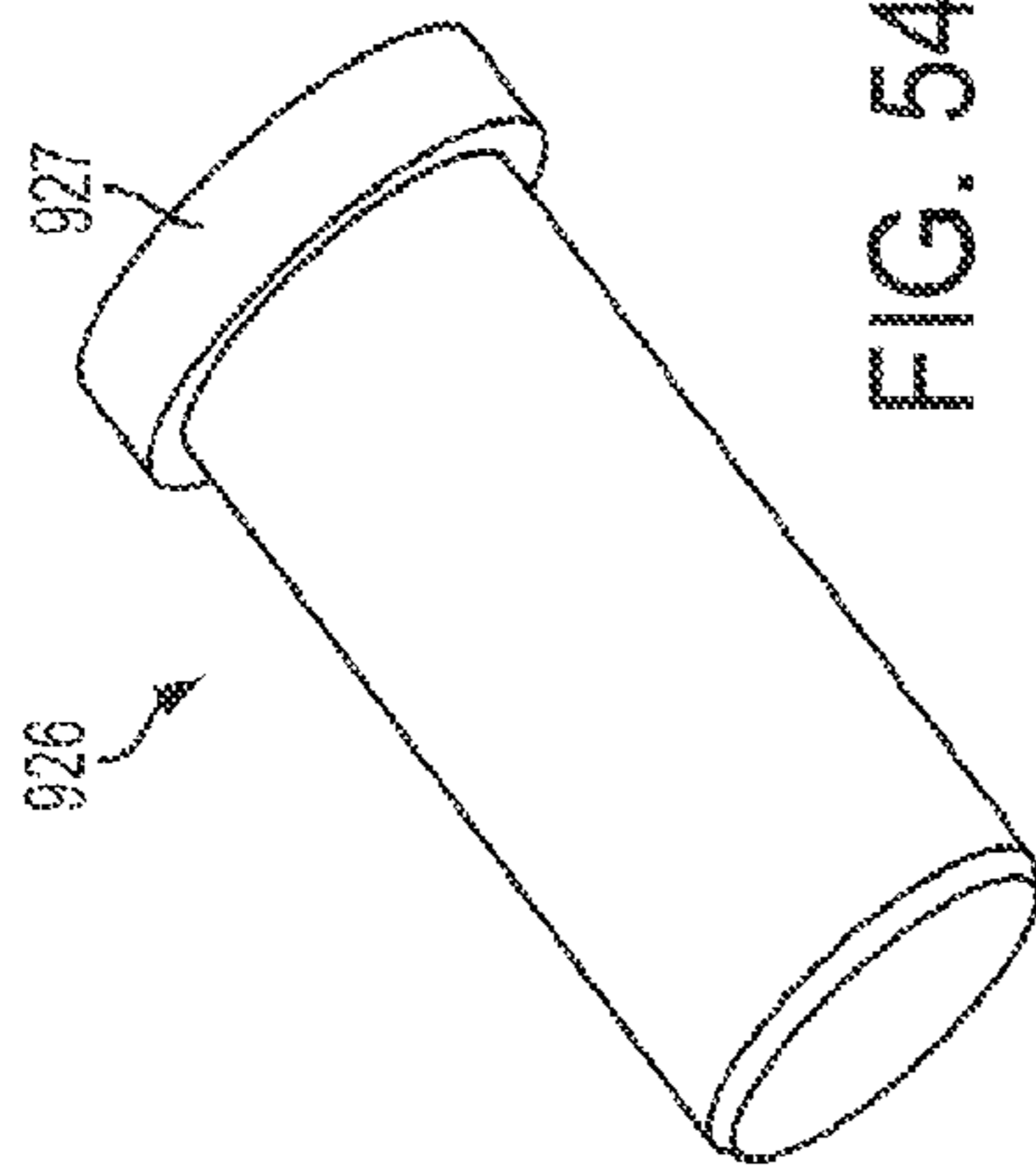


FIG. 54

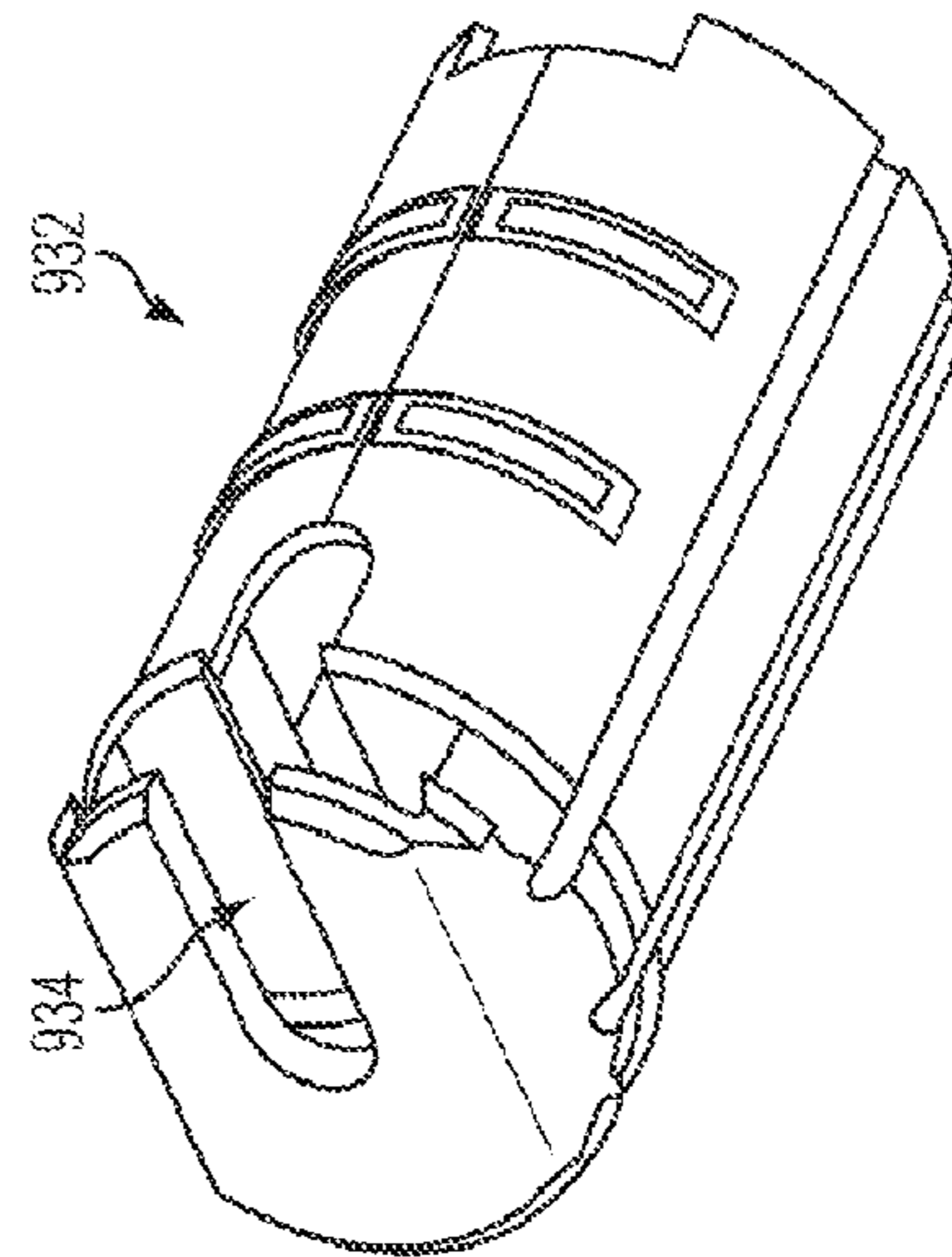
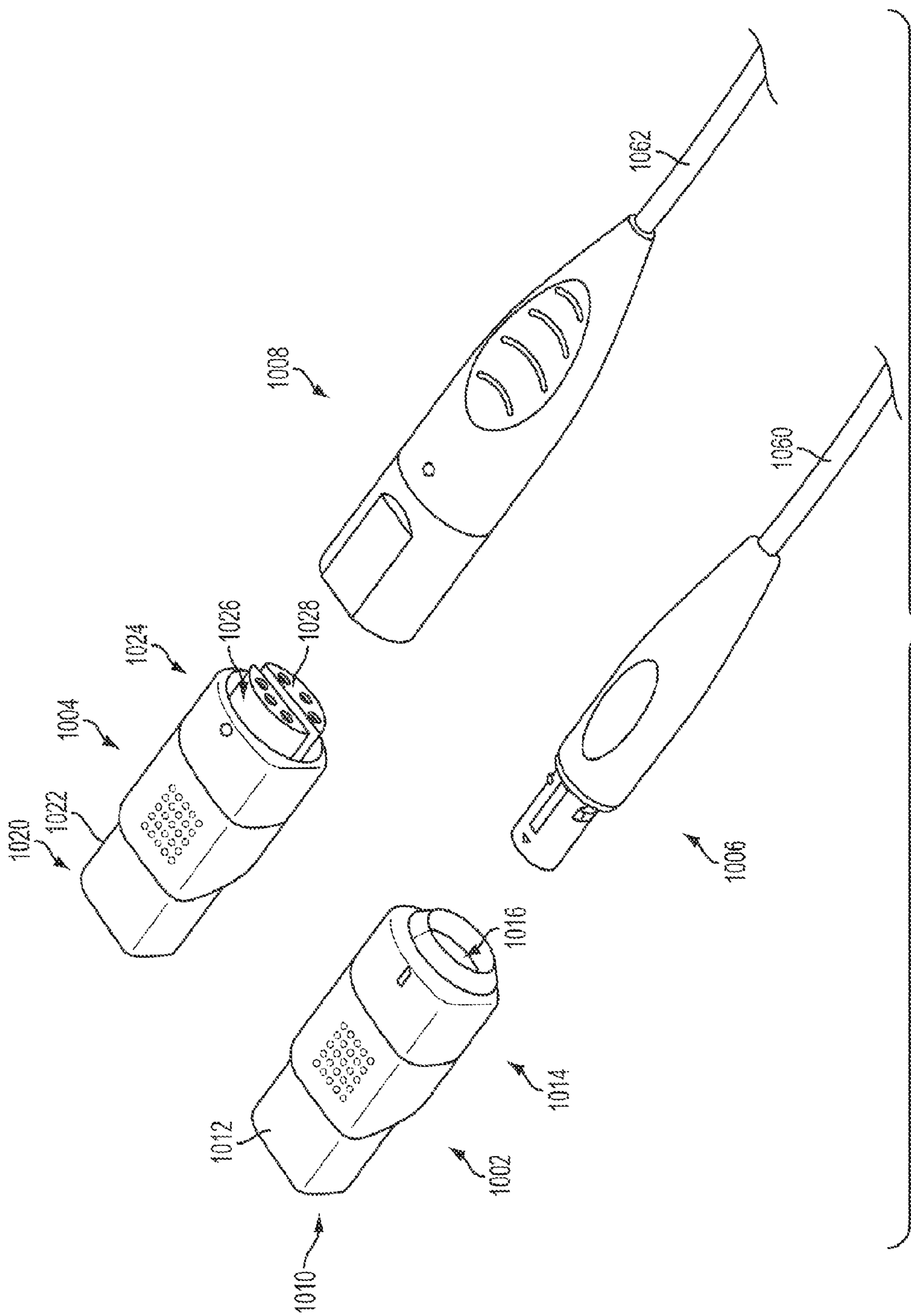


FIG. 56





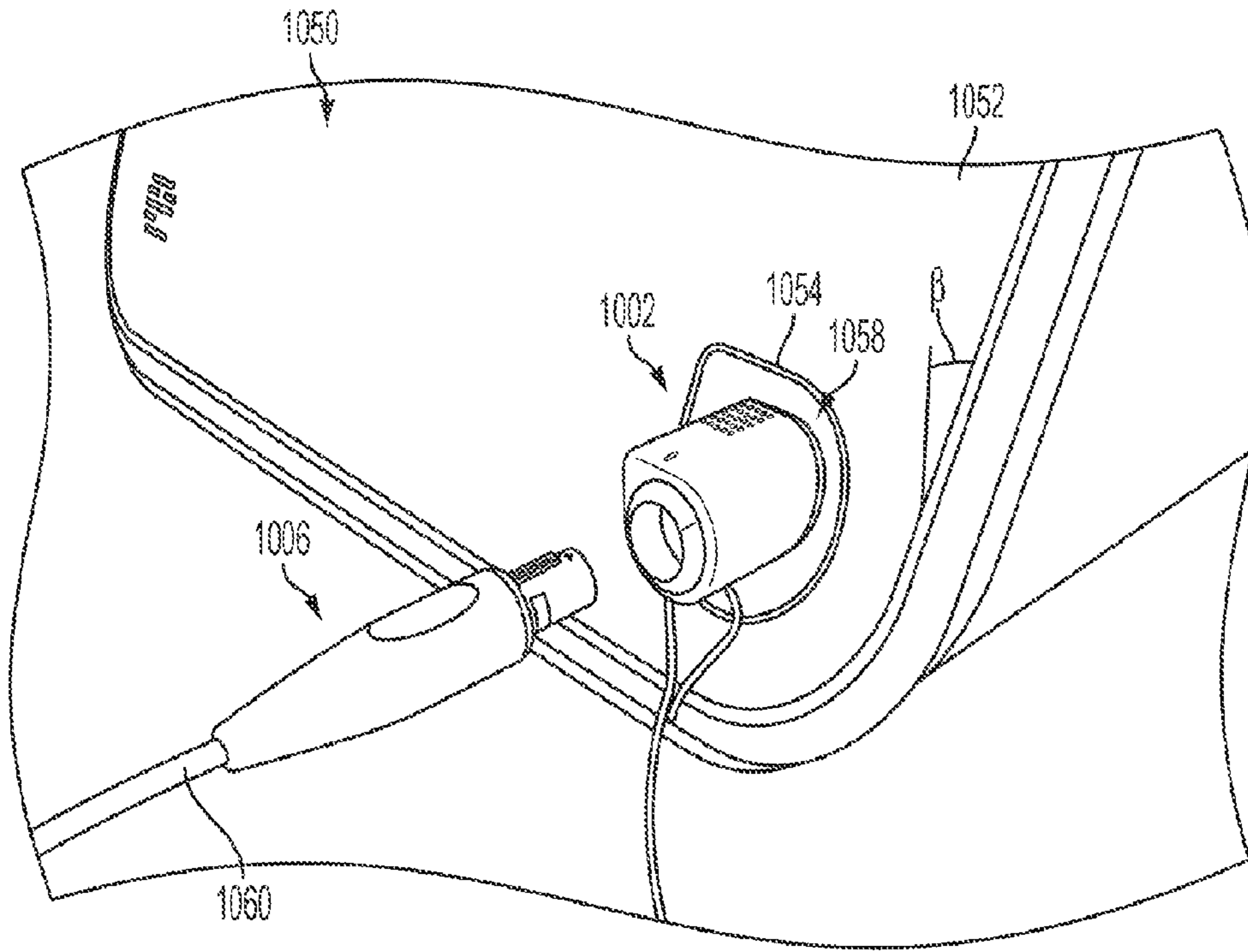


FIG. 59

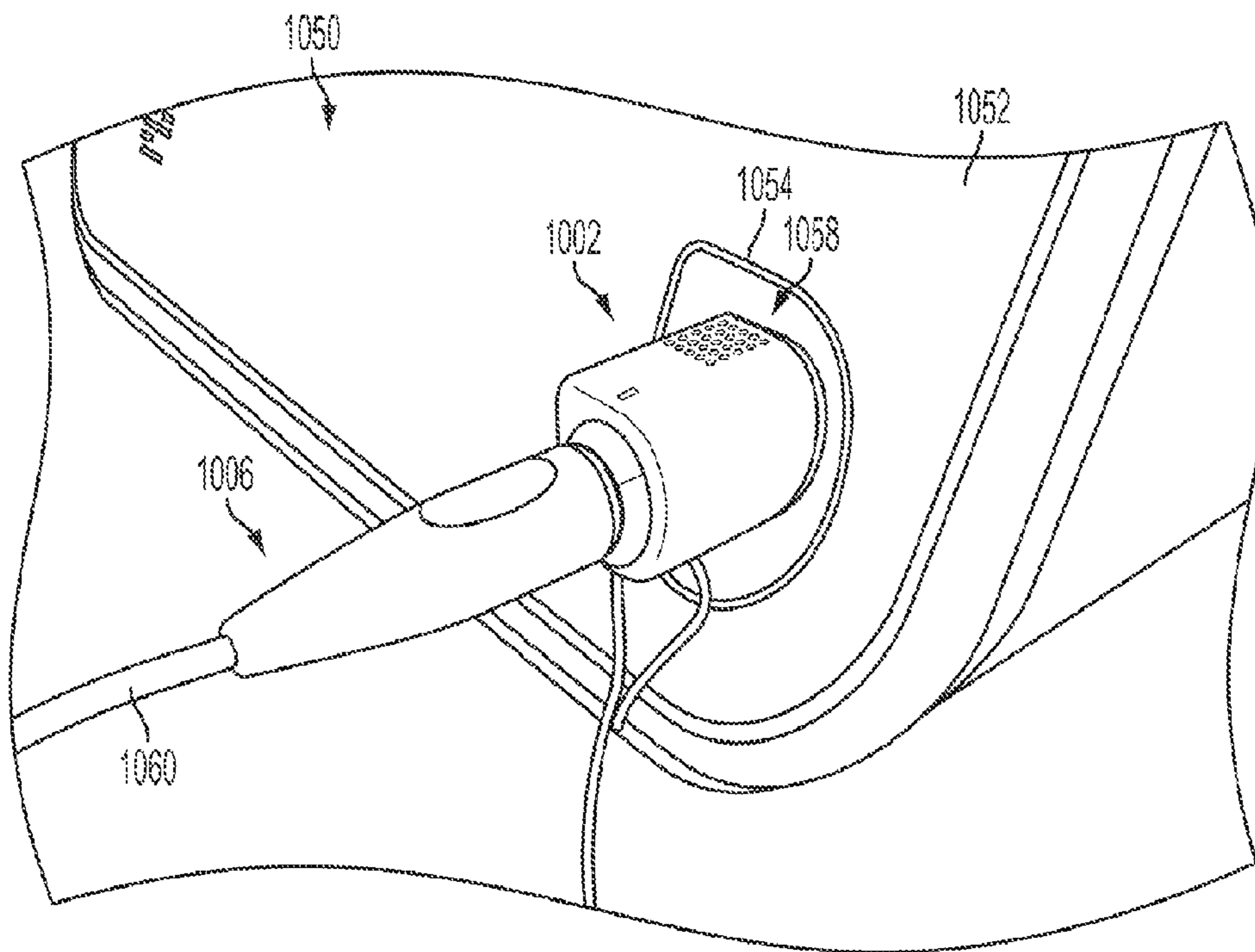


FIG. 60

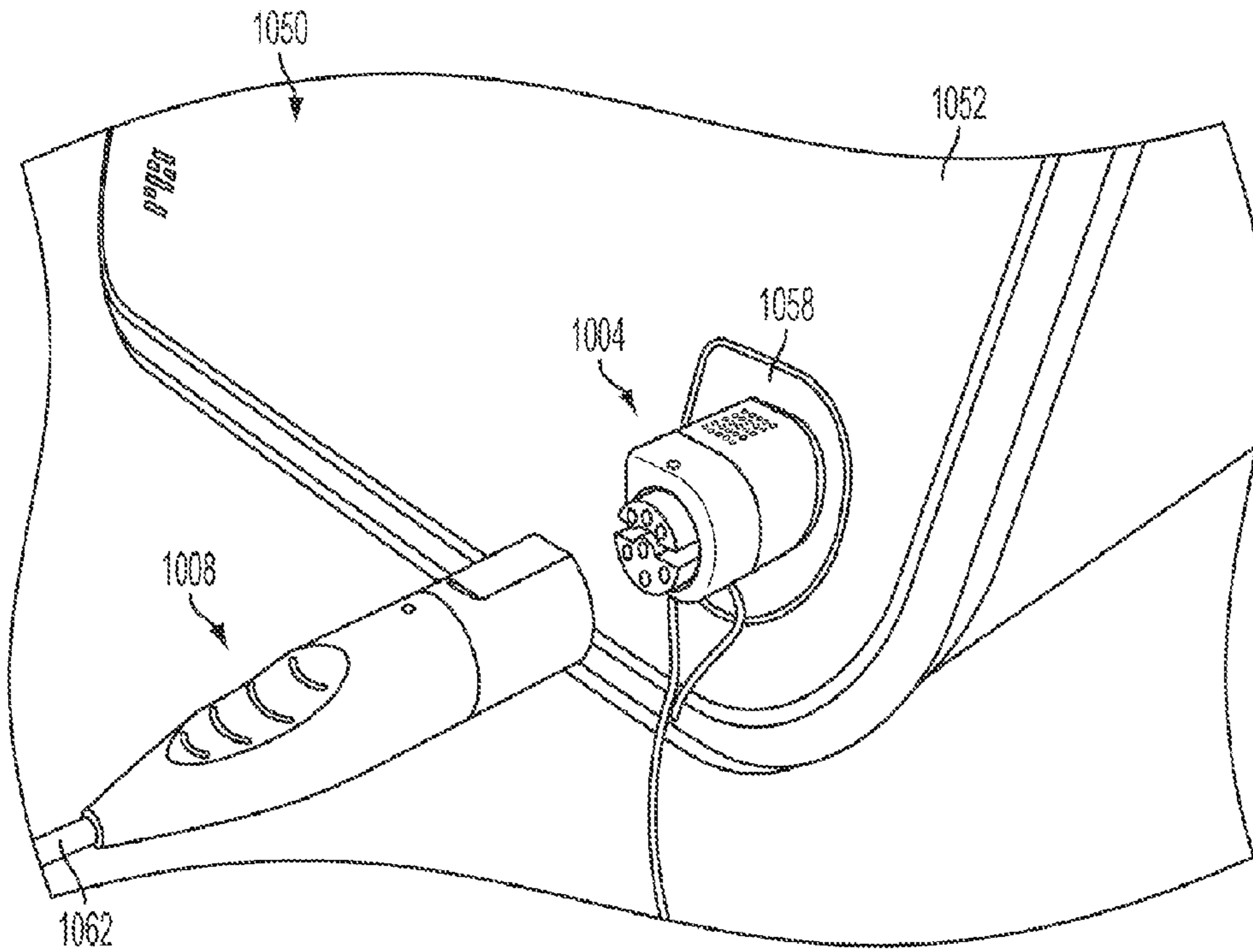


FIG. 61

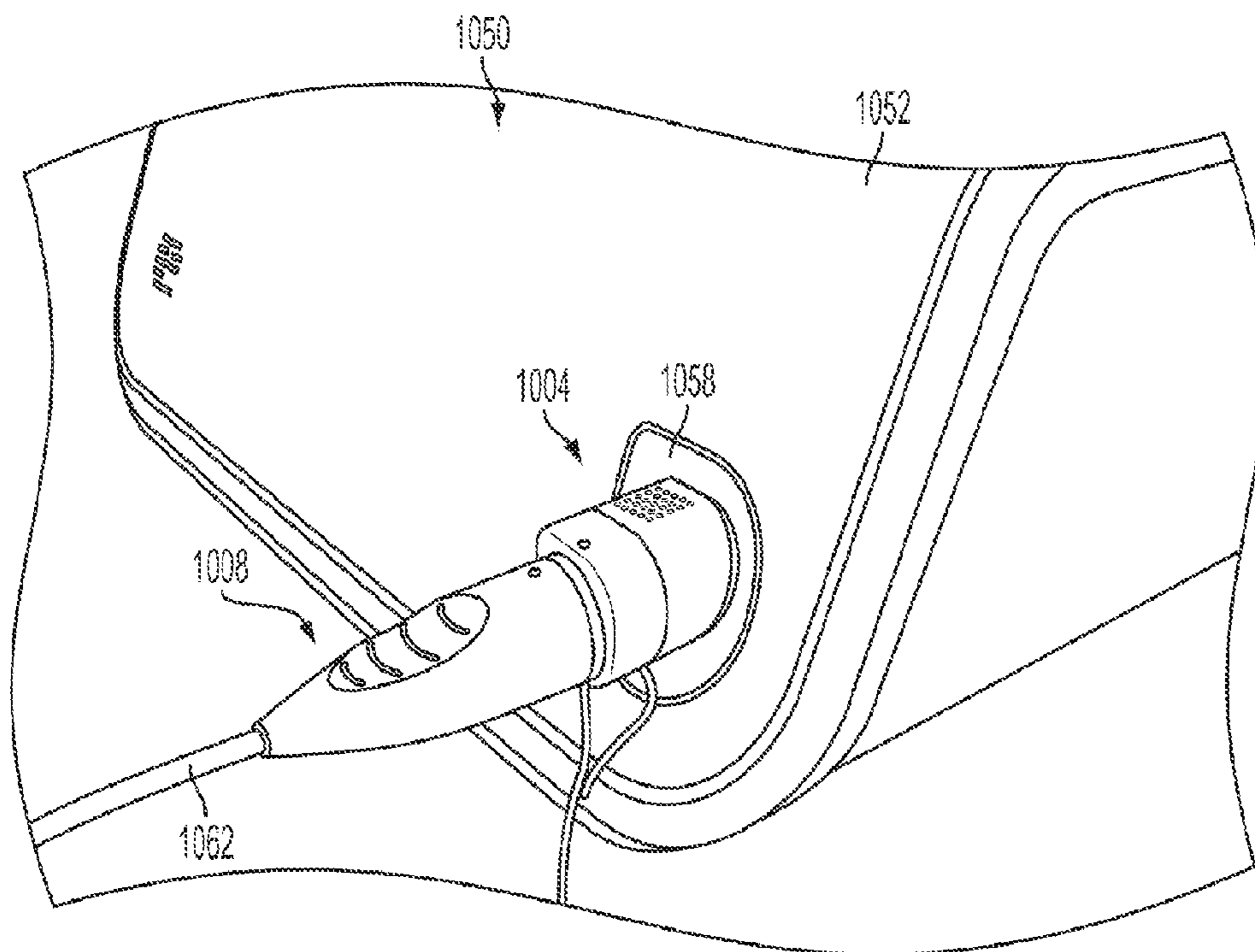


FIG. 62

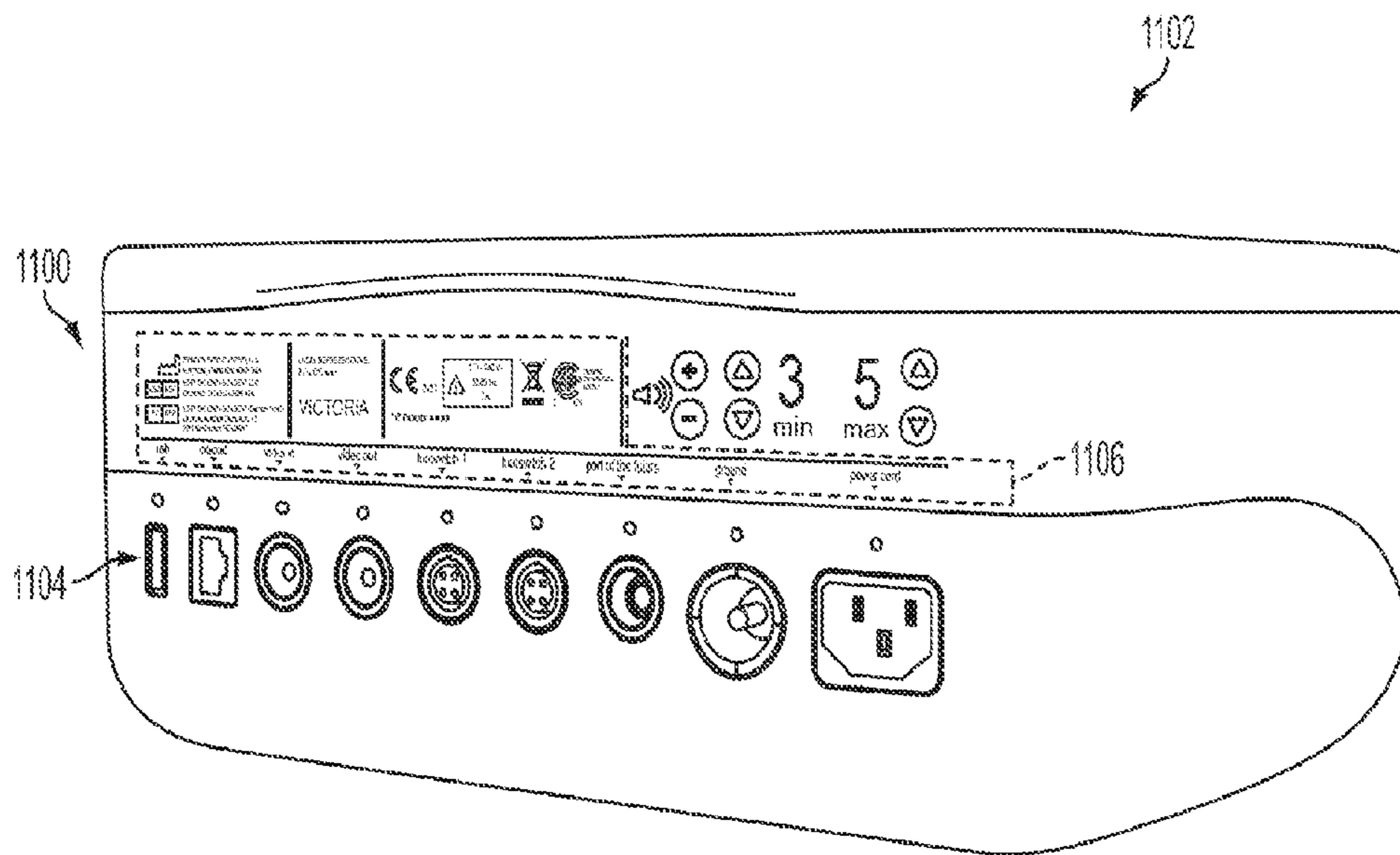


FIG. 63

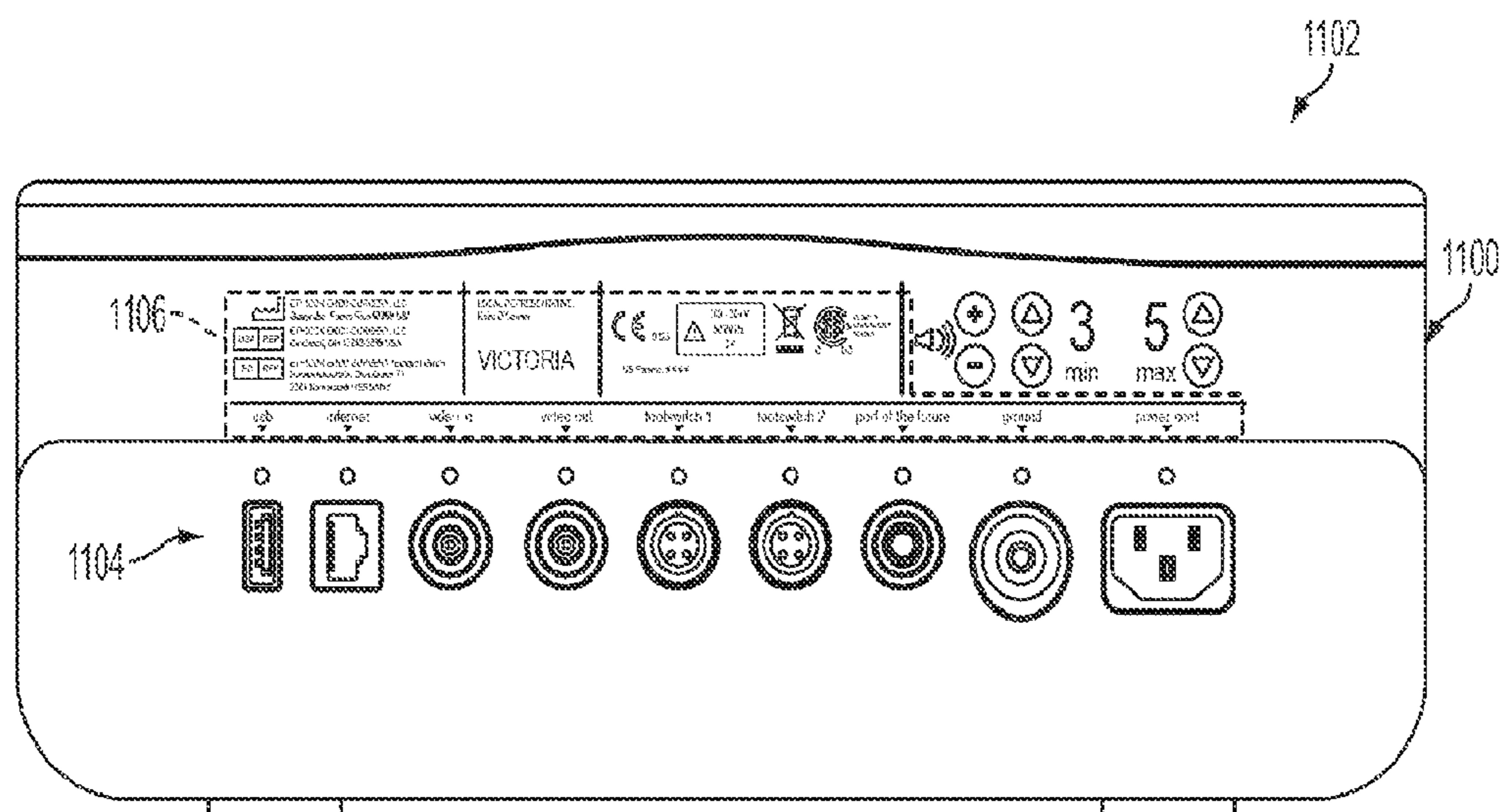


FIG. 64



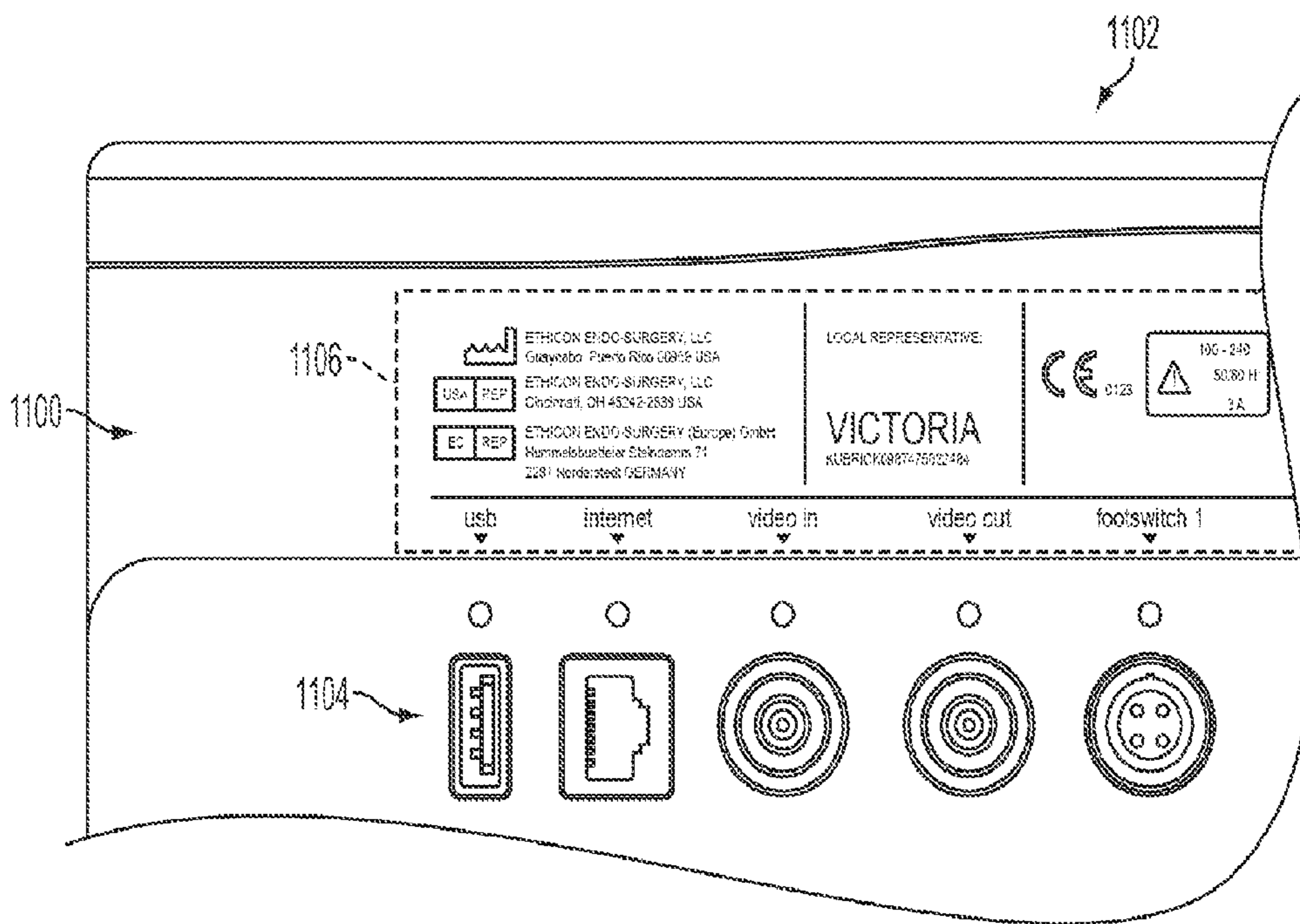


FIG. 65

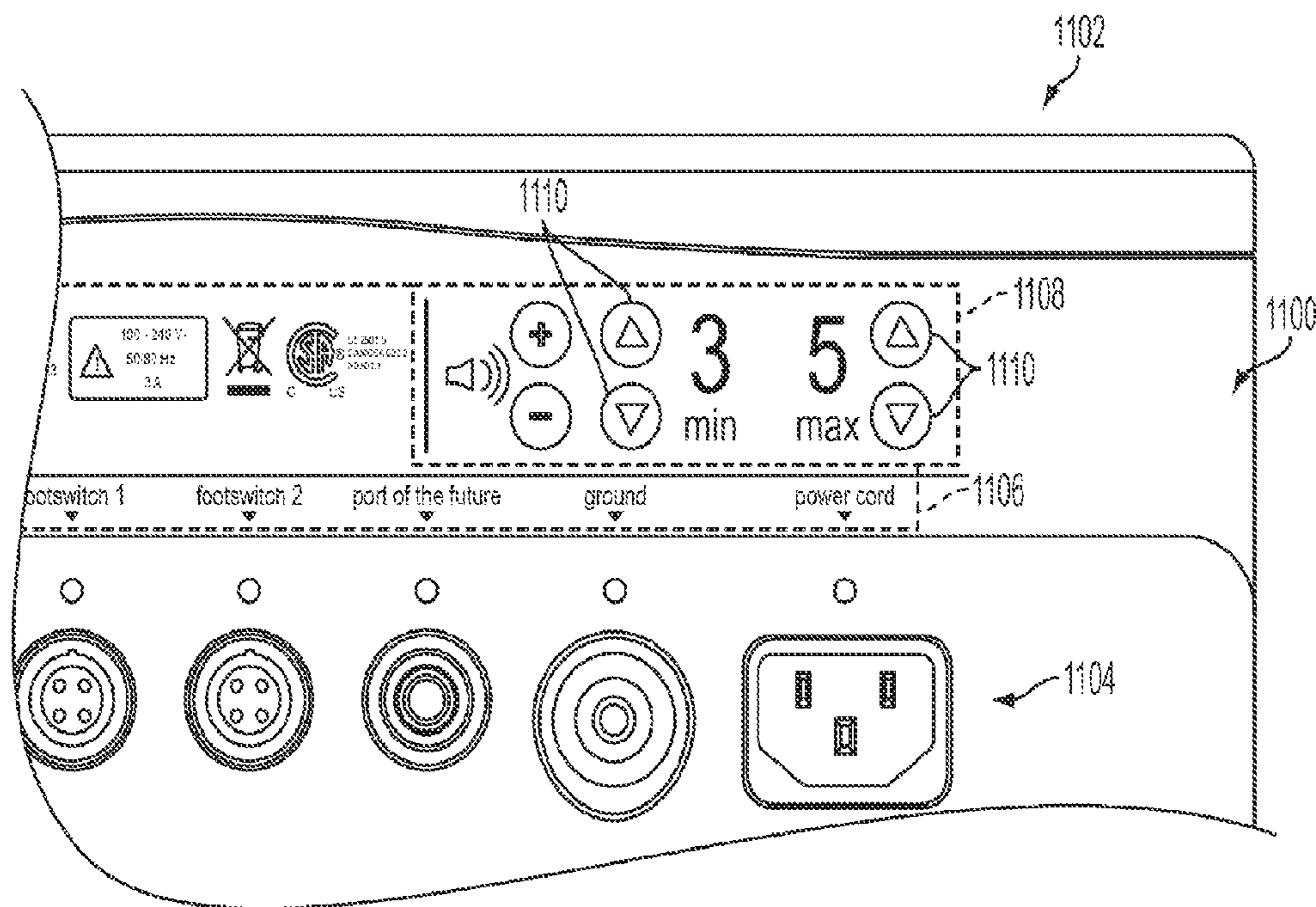


FIG. 66

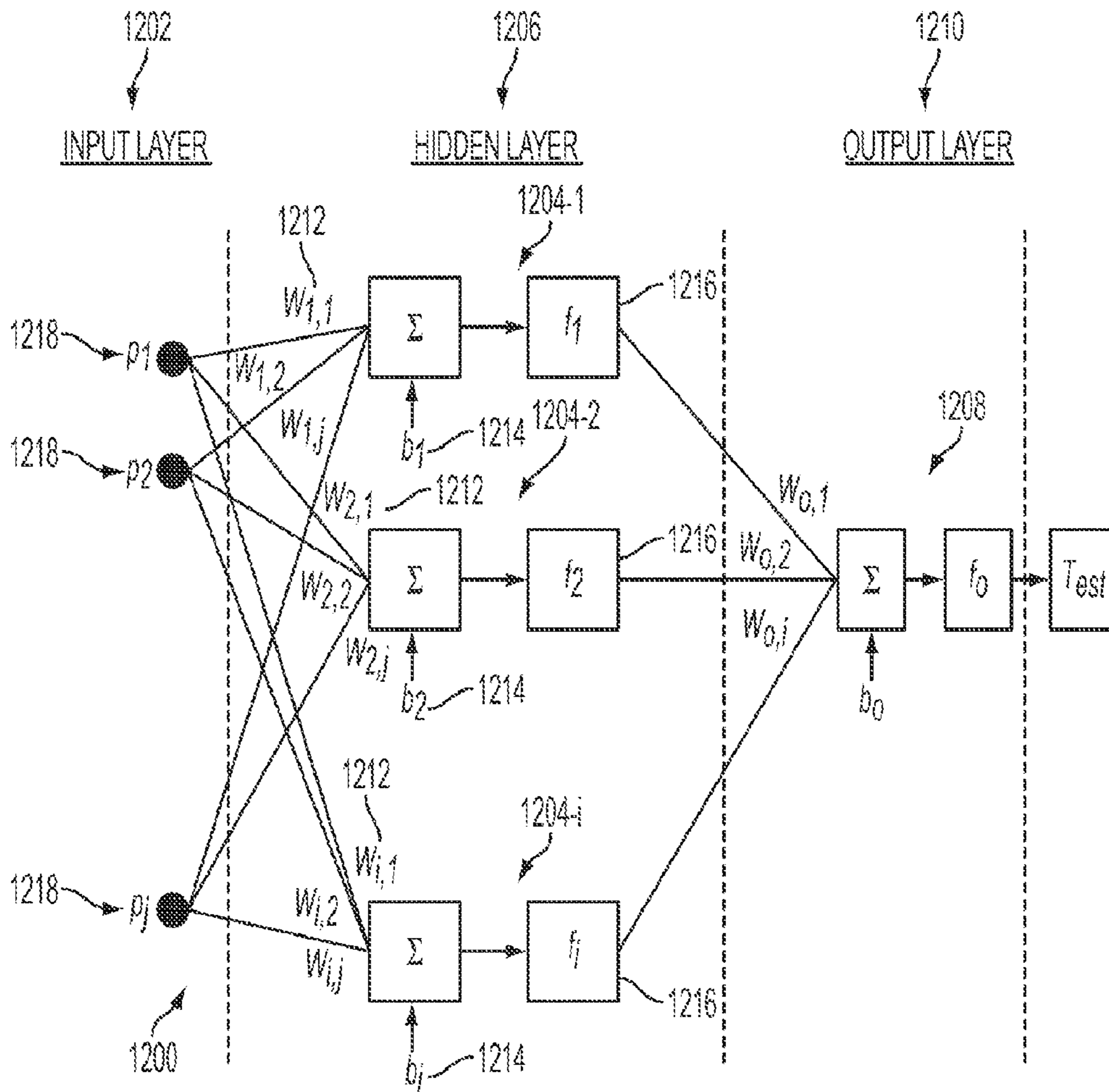
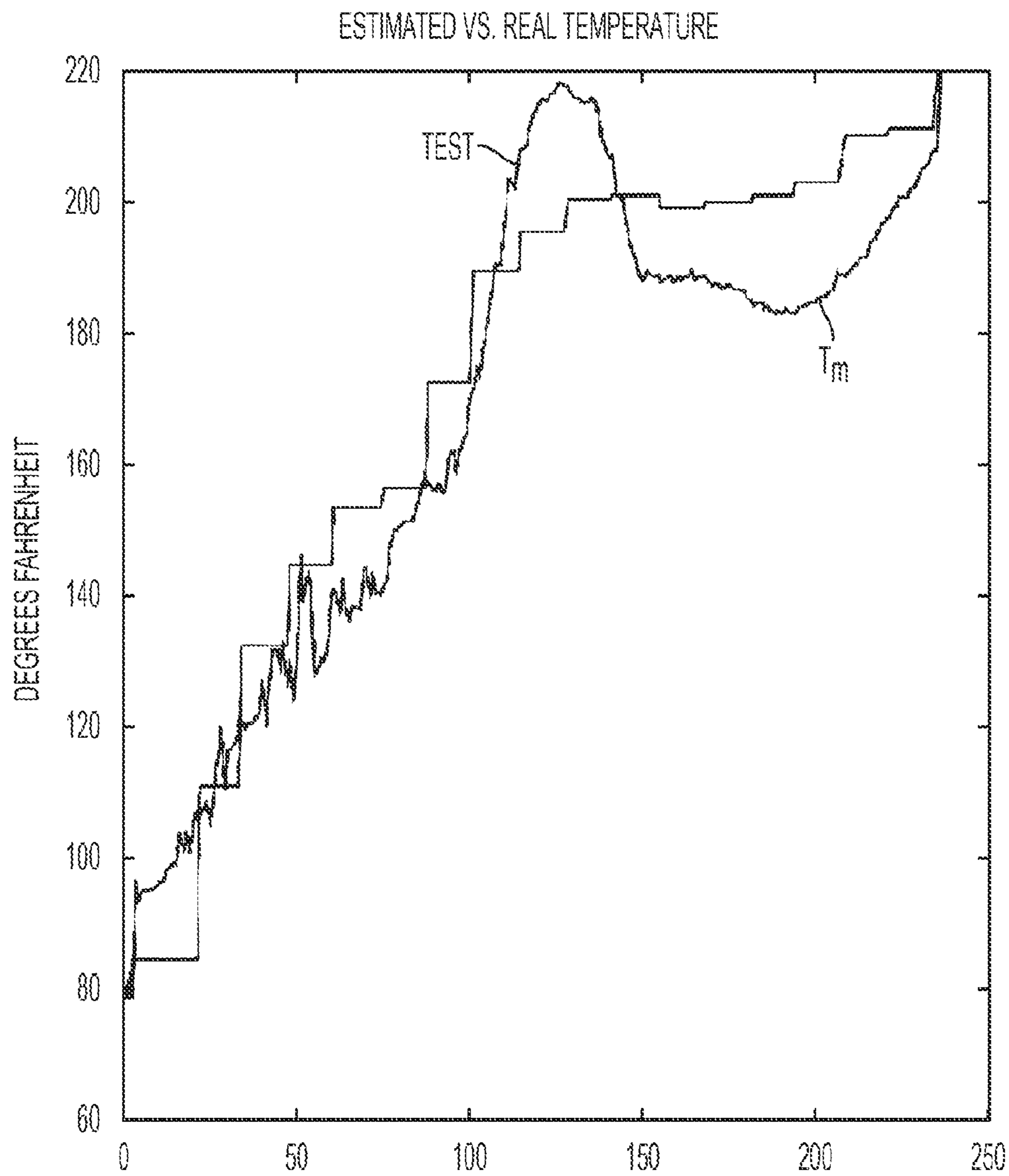


FIG. 67



SAMPLES  
FIG. 68



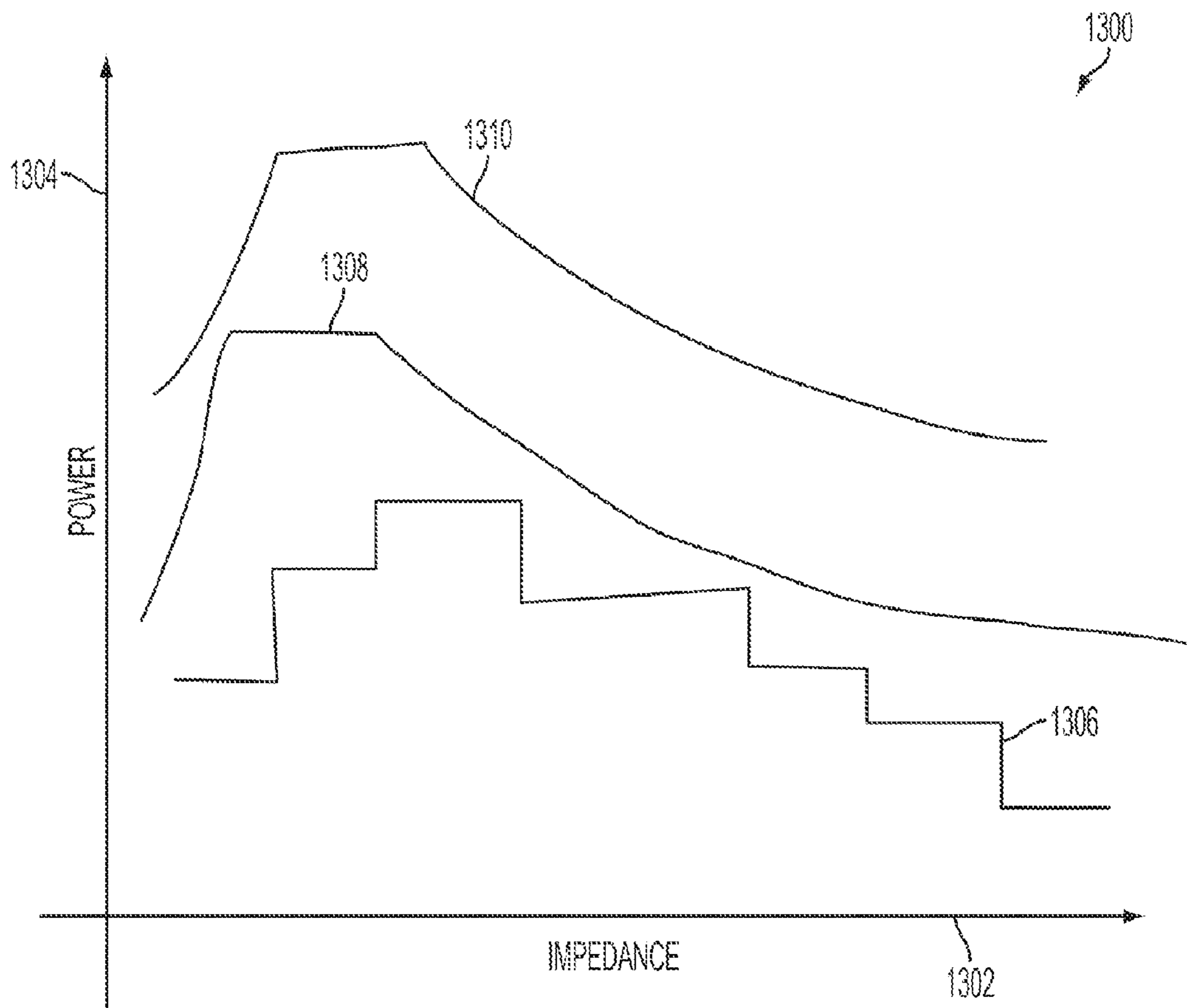


FIG. 69

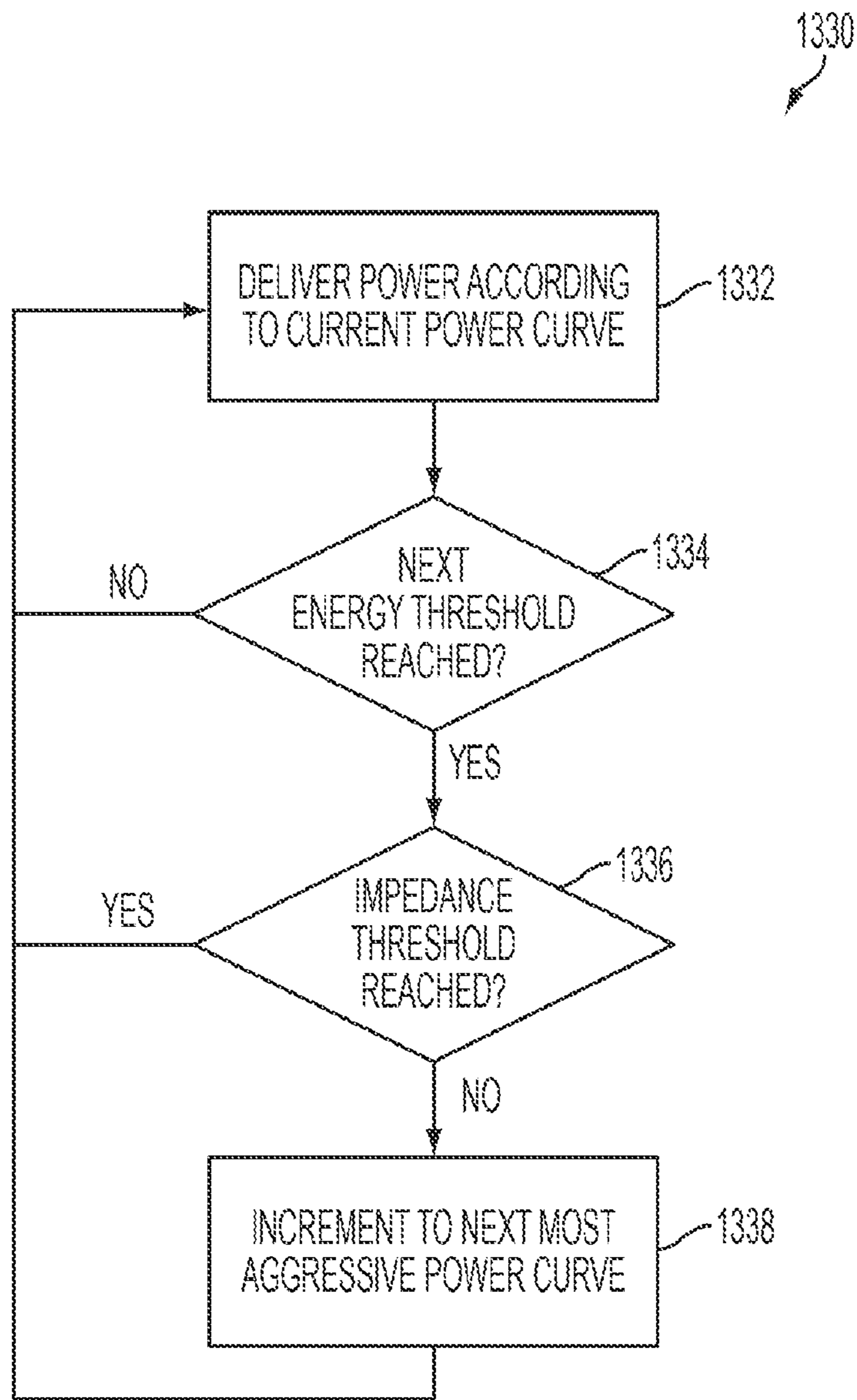


FIG. 70

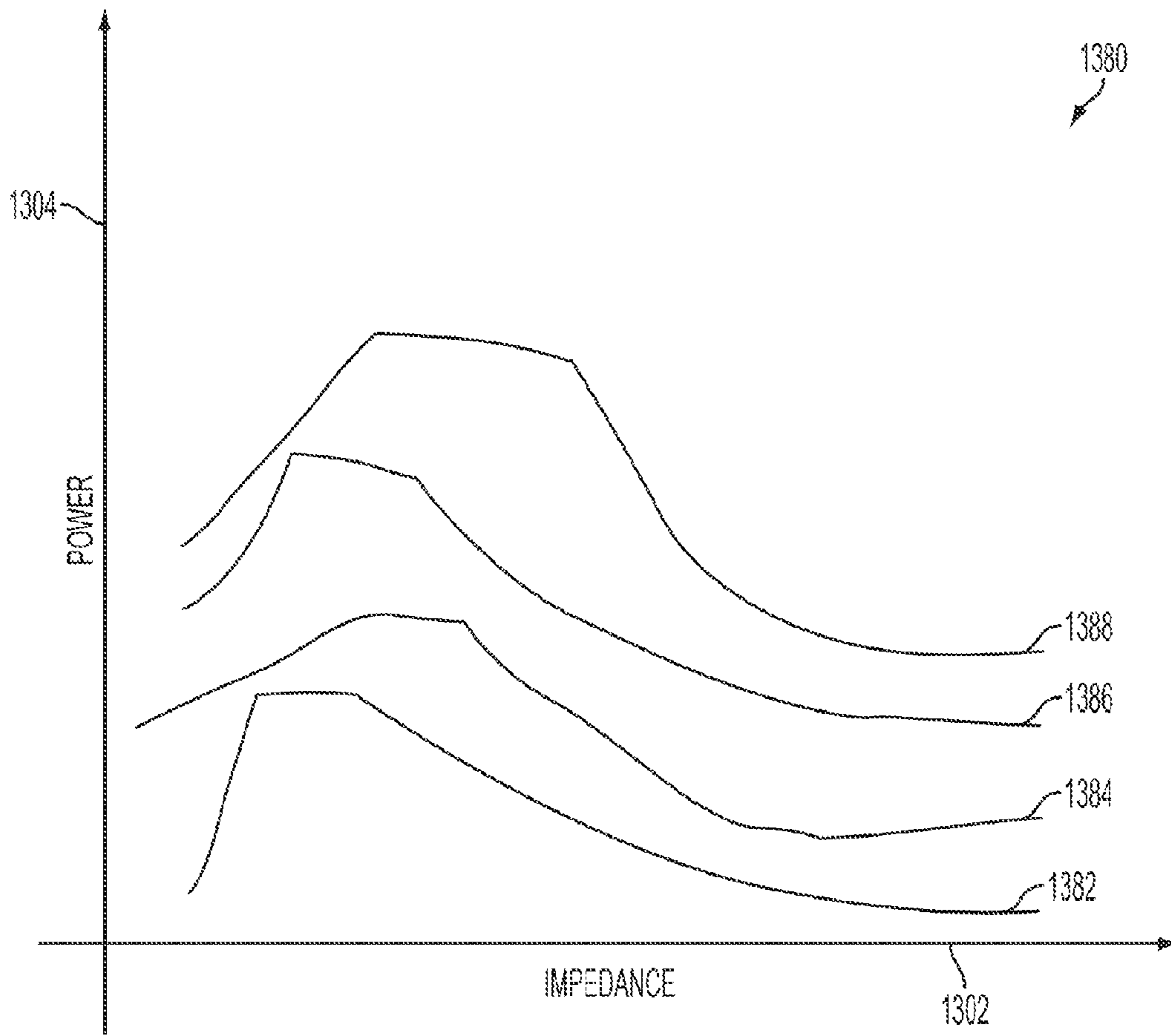


FIG. 71



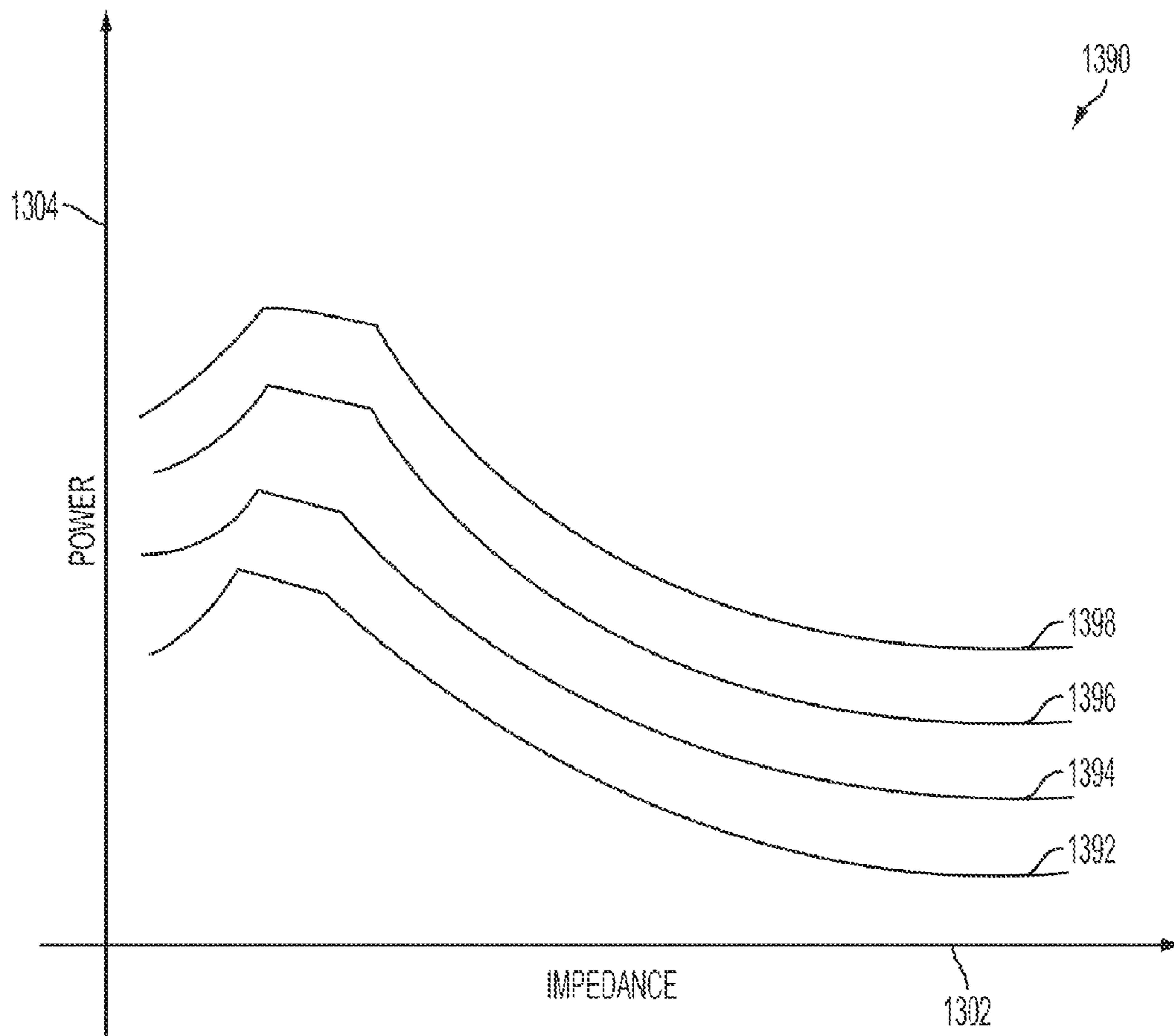


FIG. 72

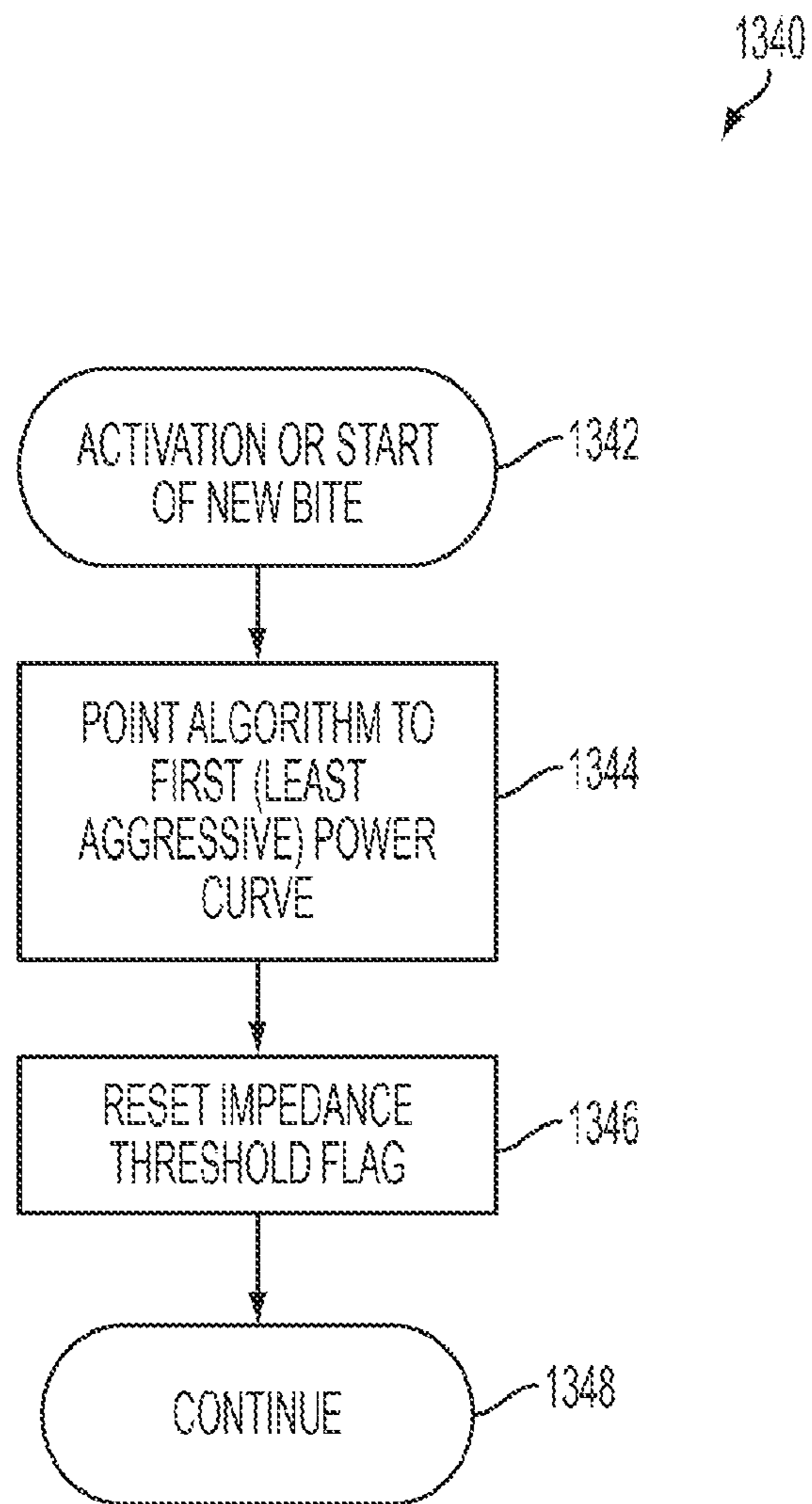


FIG. 73A

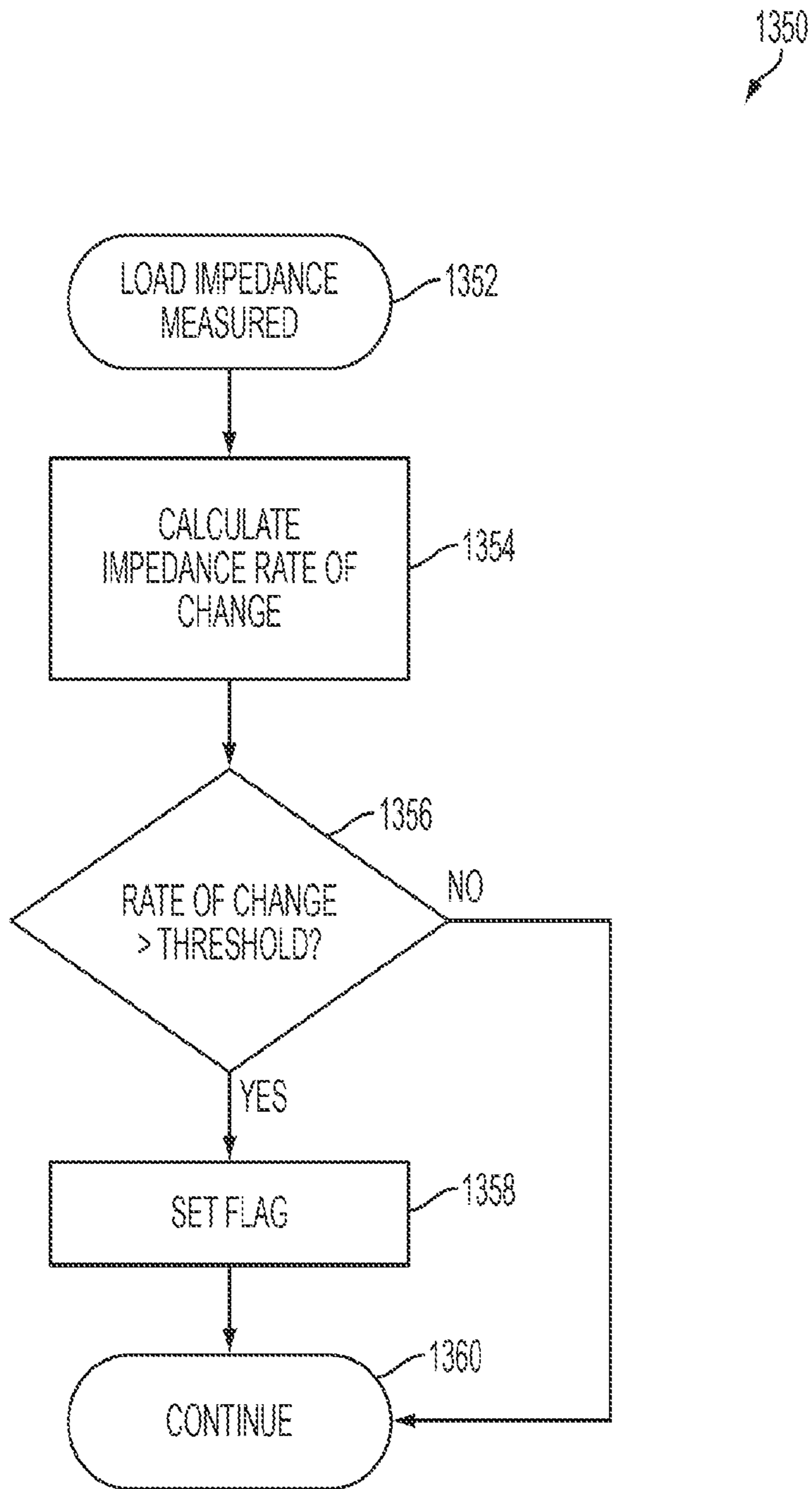


FIG. 73B



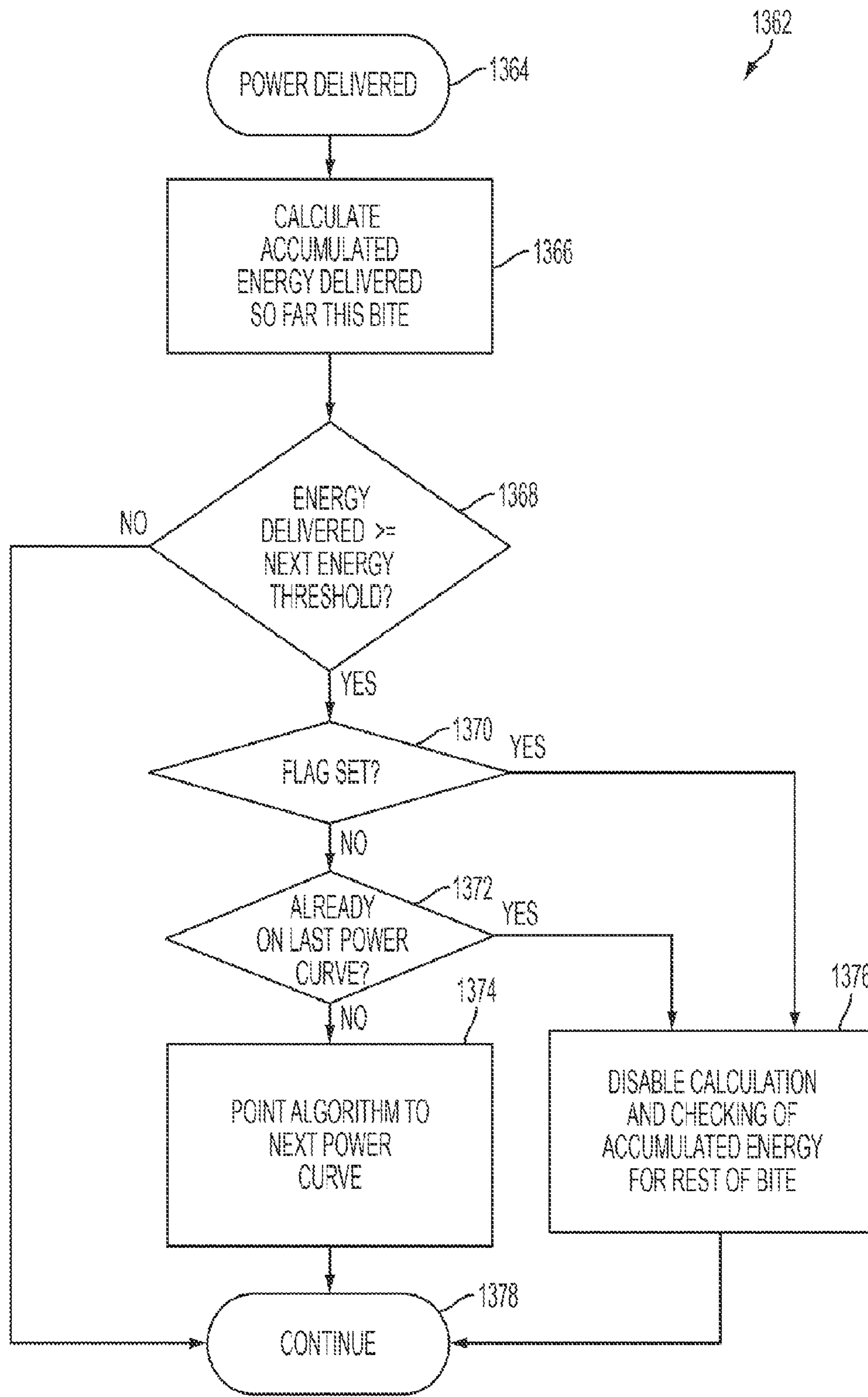


FIG. 73C

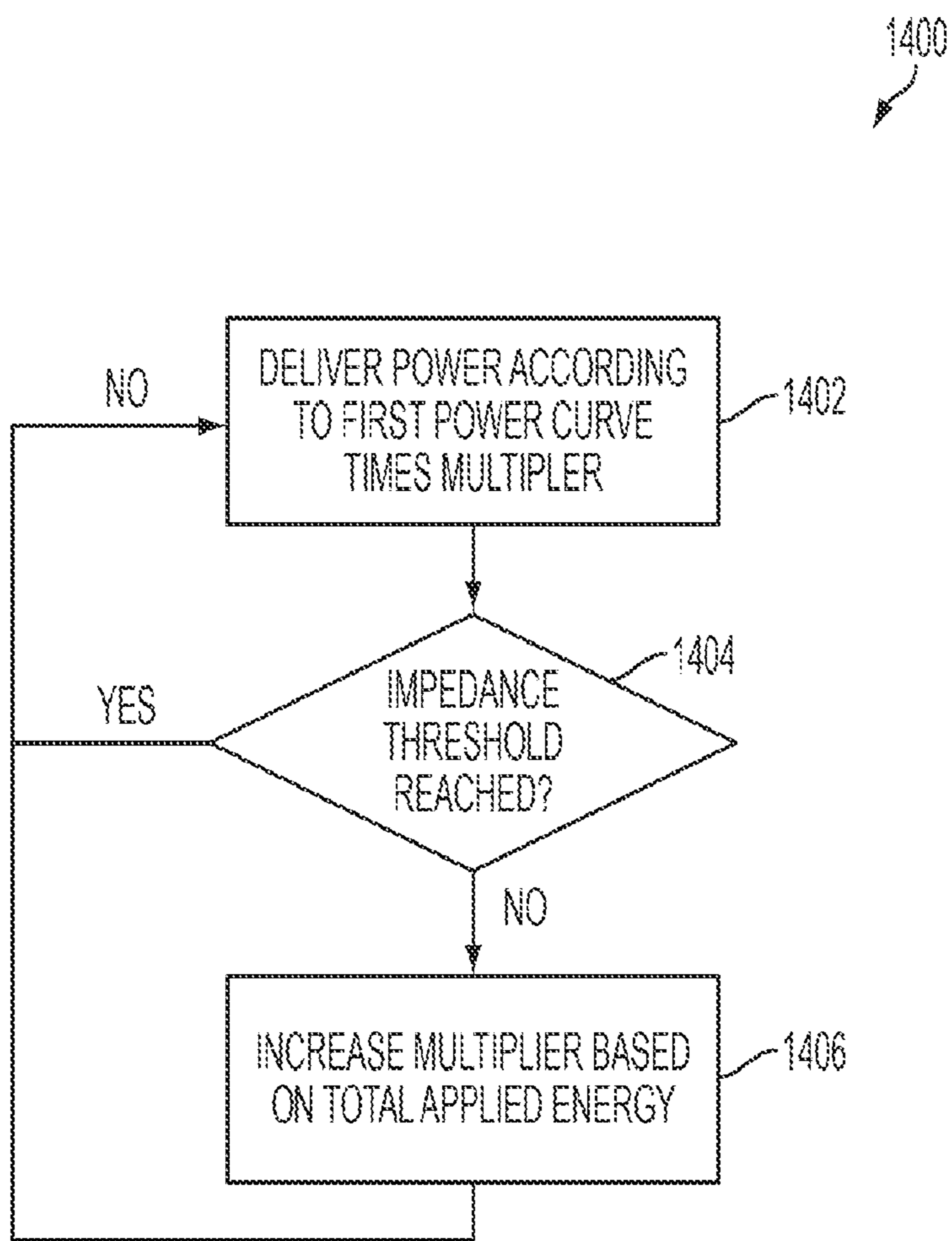


FIG. 74

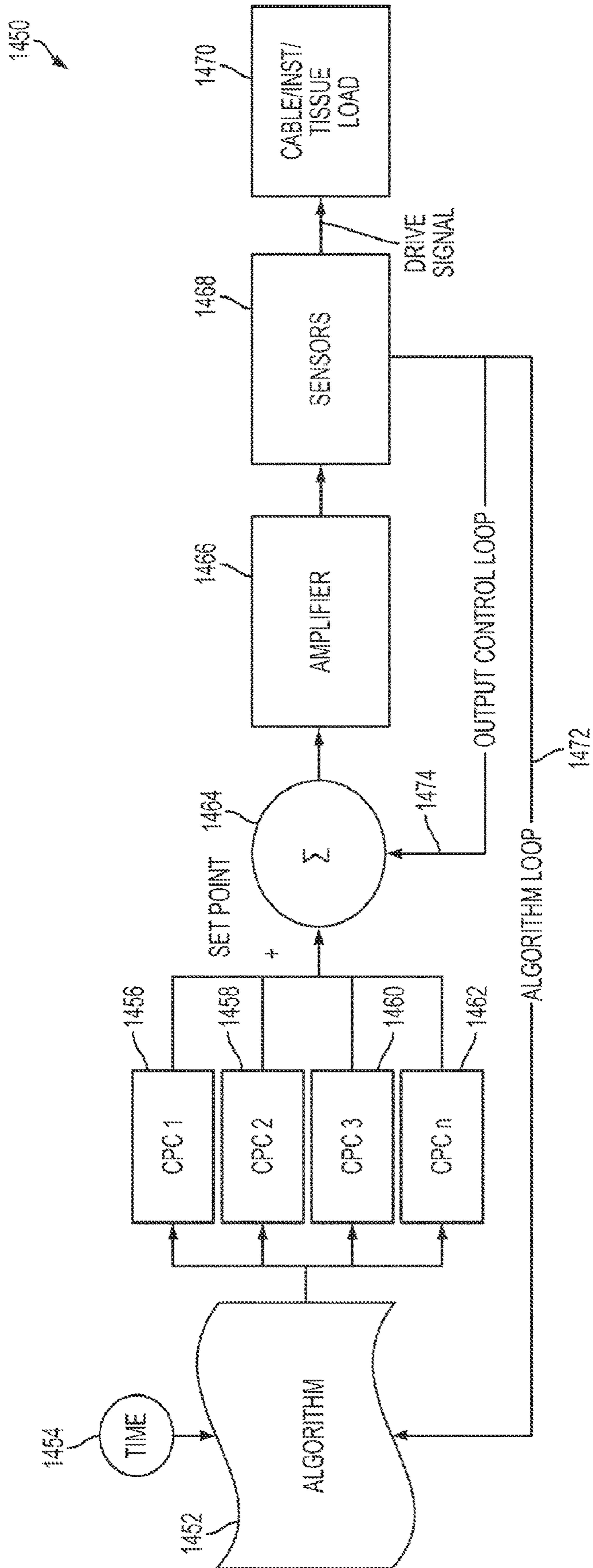


FIG. 75



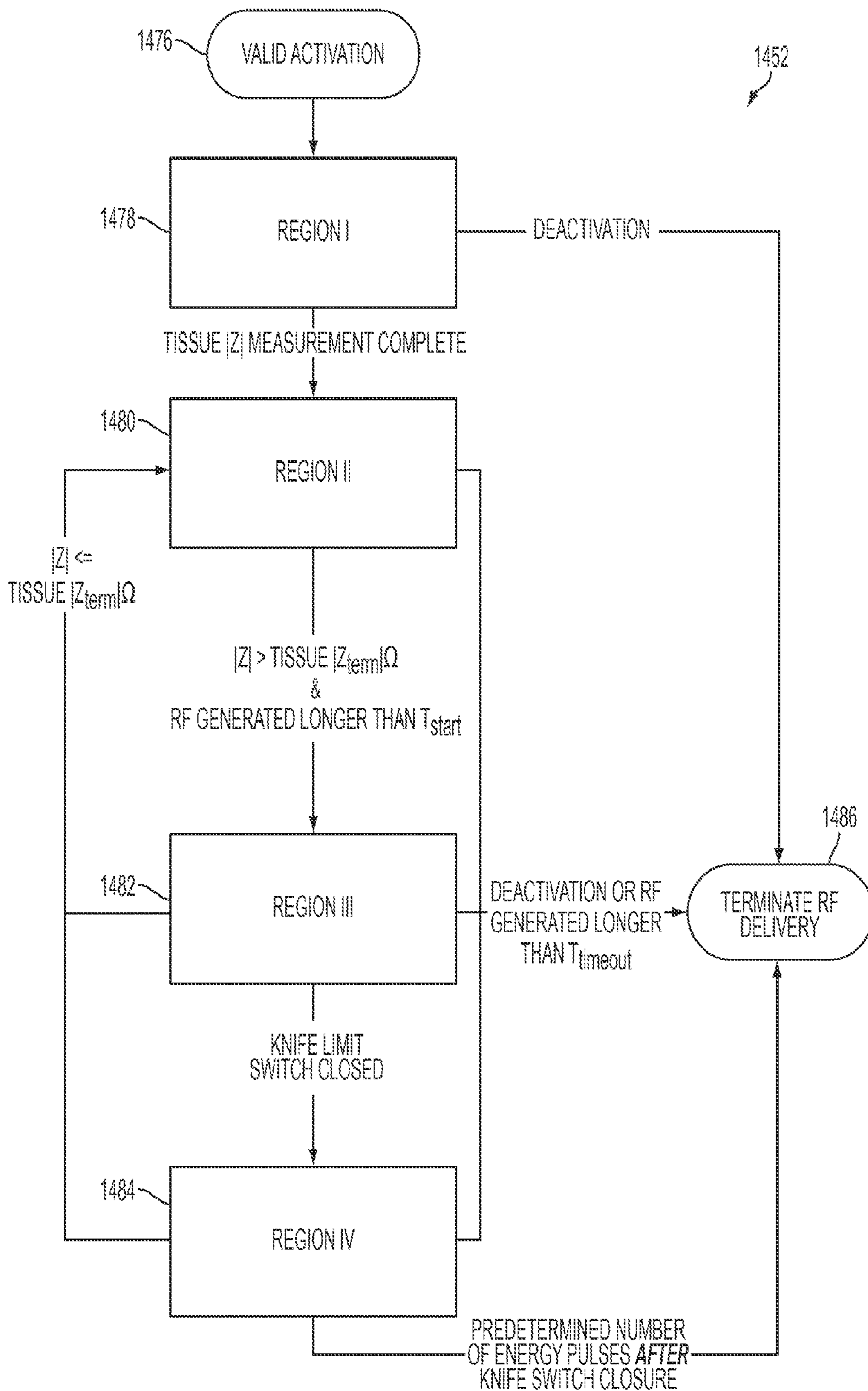


FIG. 76

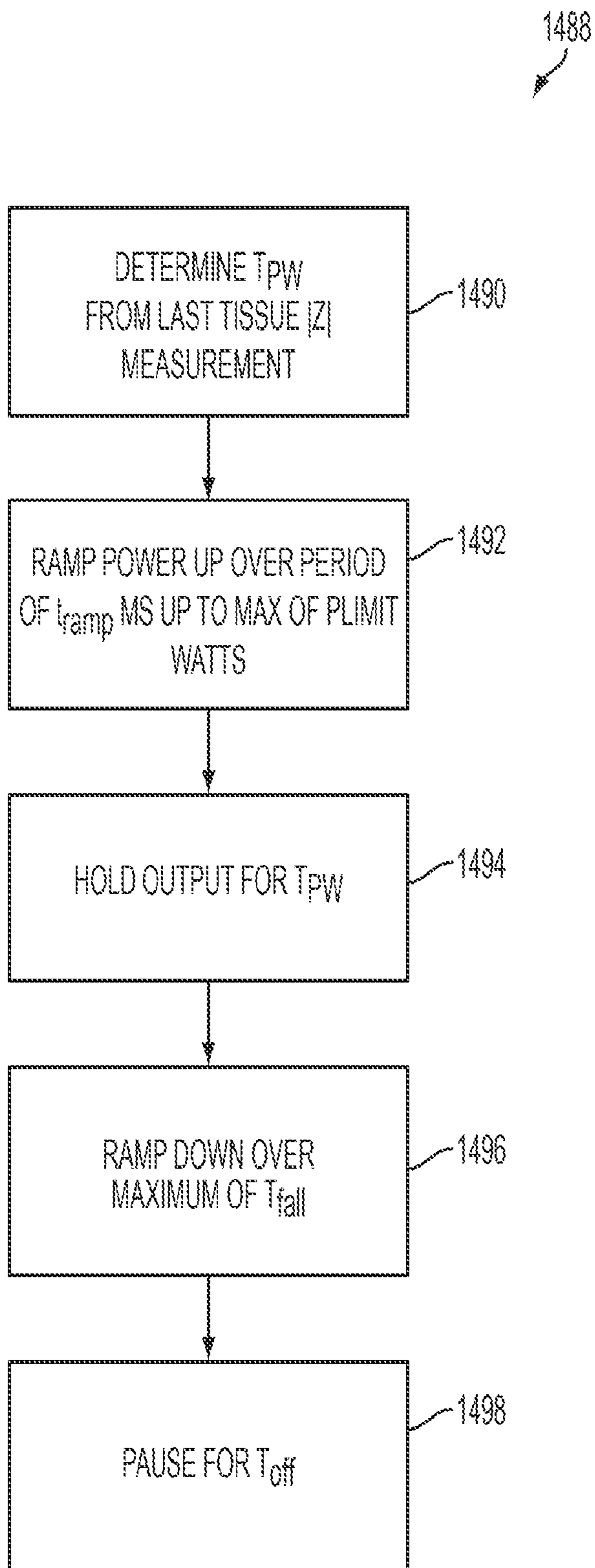


FIG. 77

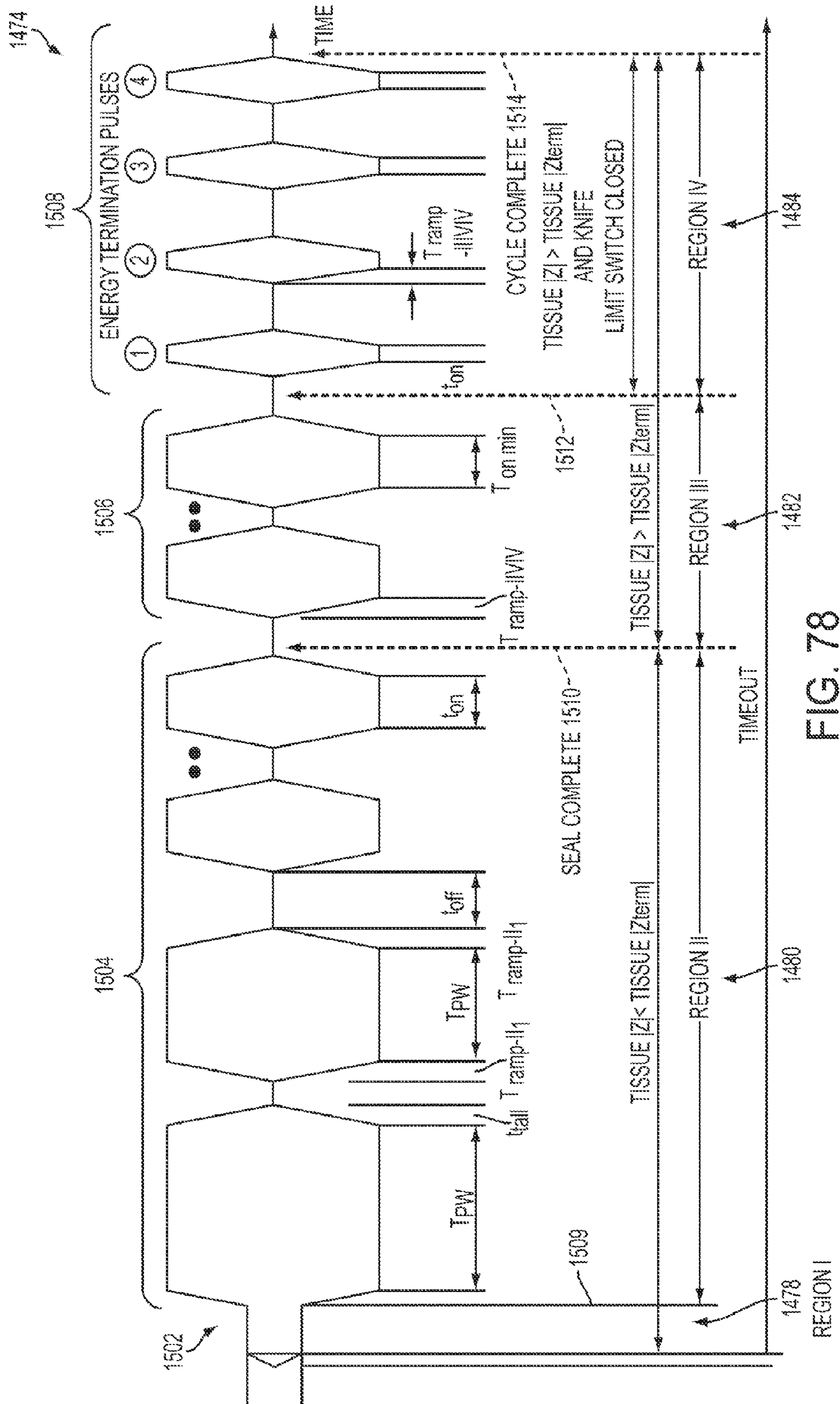


FIG. 78



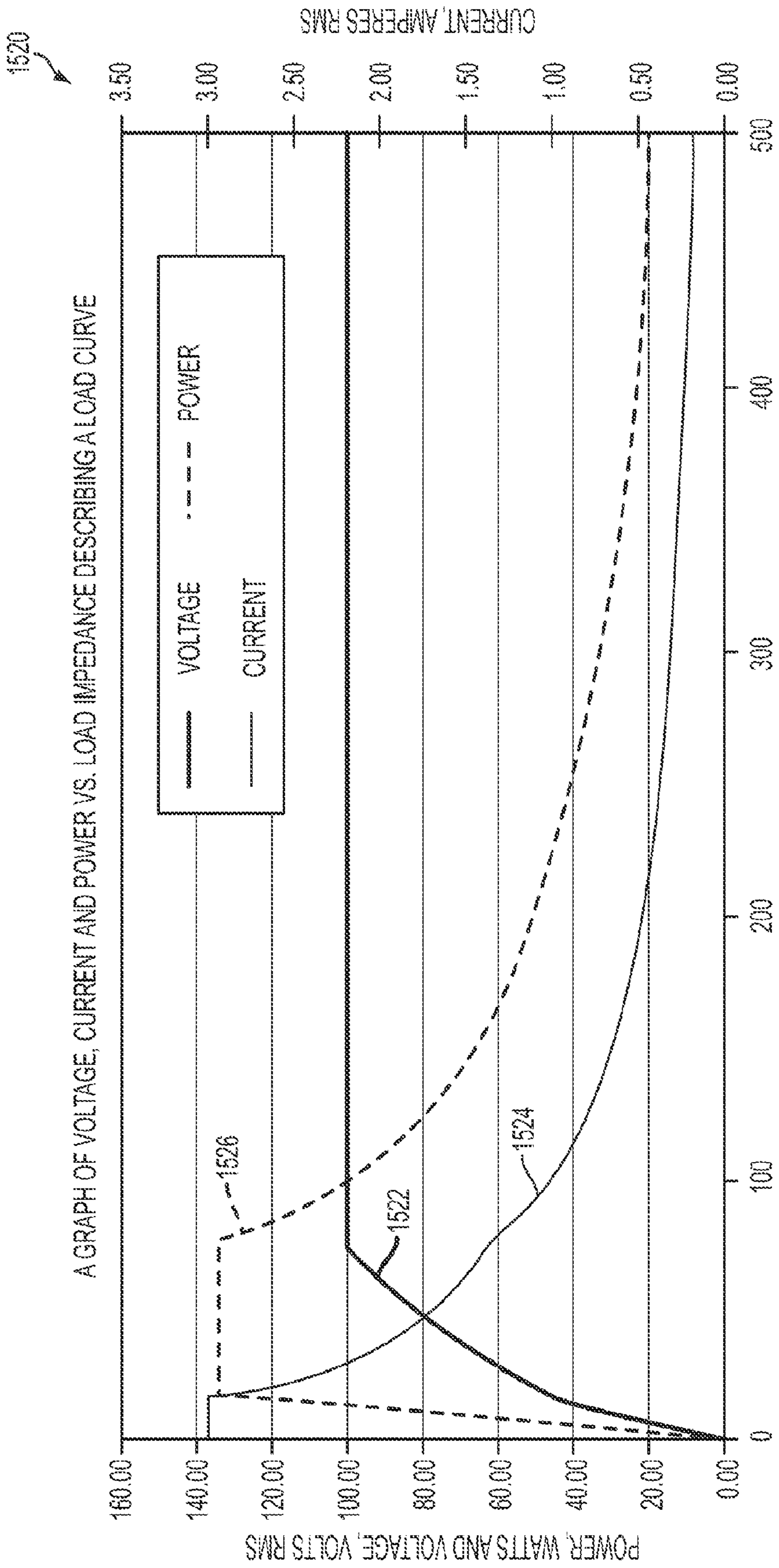


FIG. 79

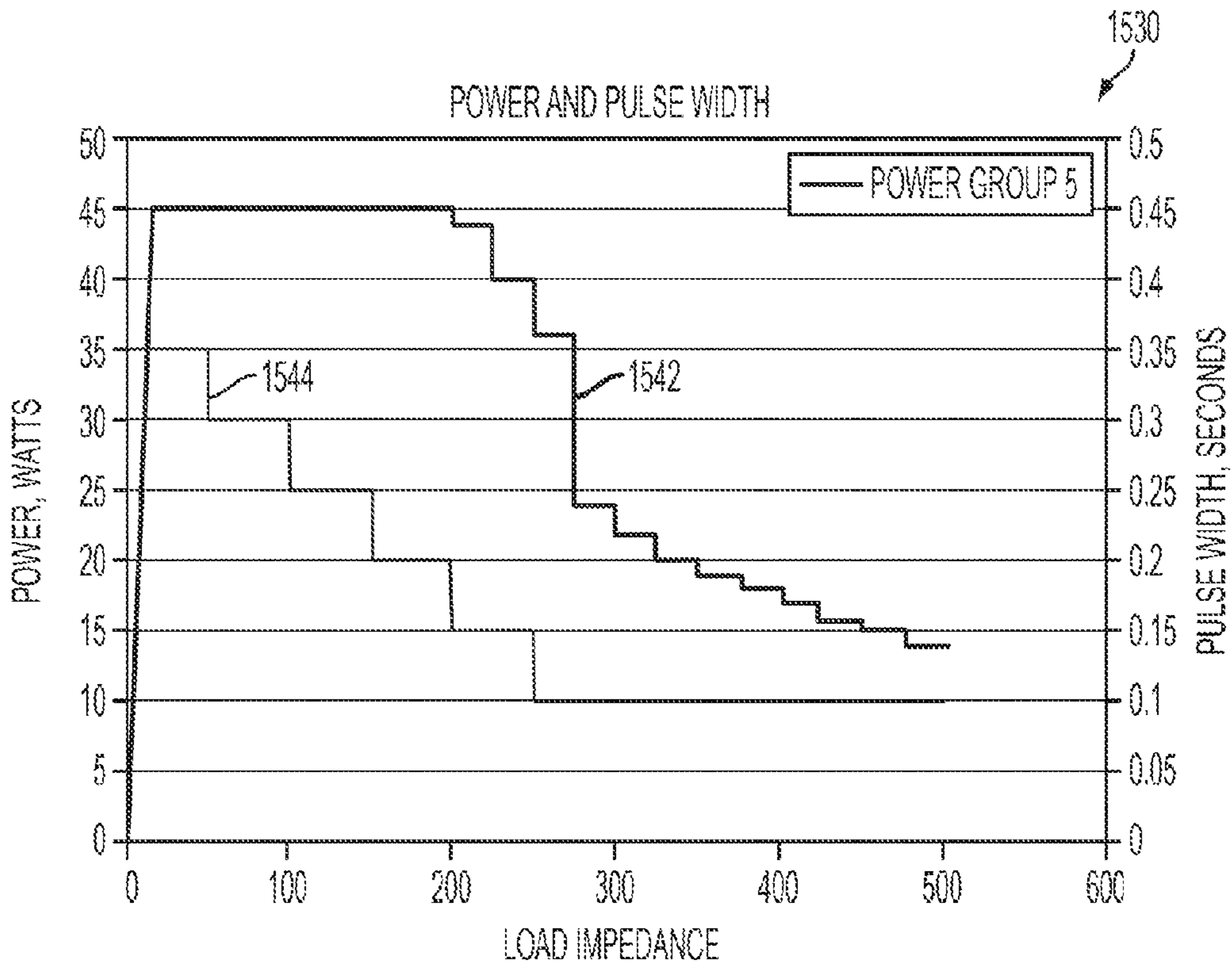


FIG. 80

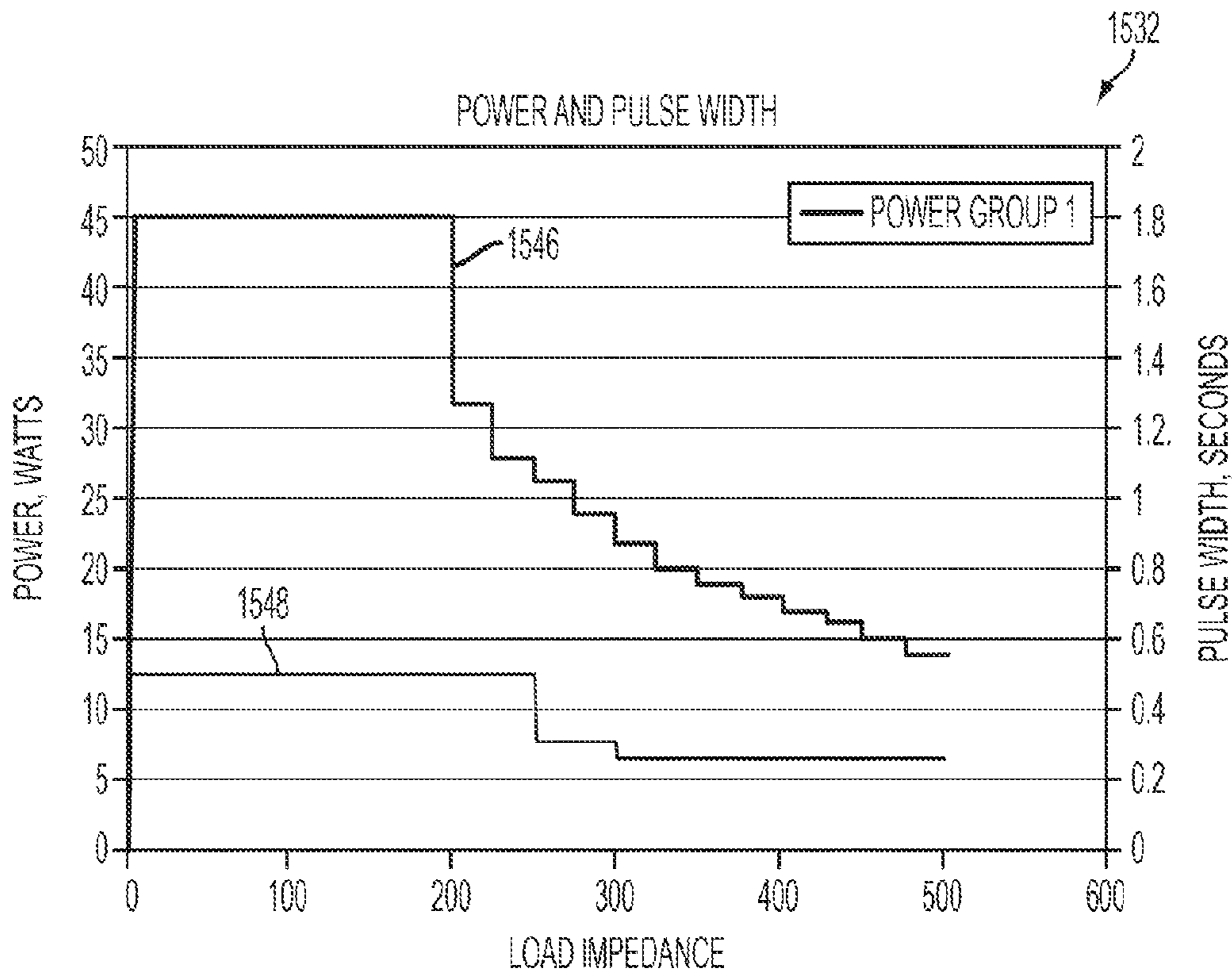


FIG. 81

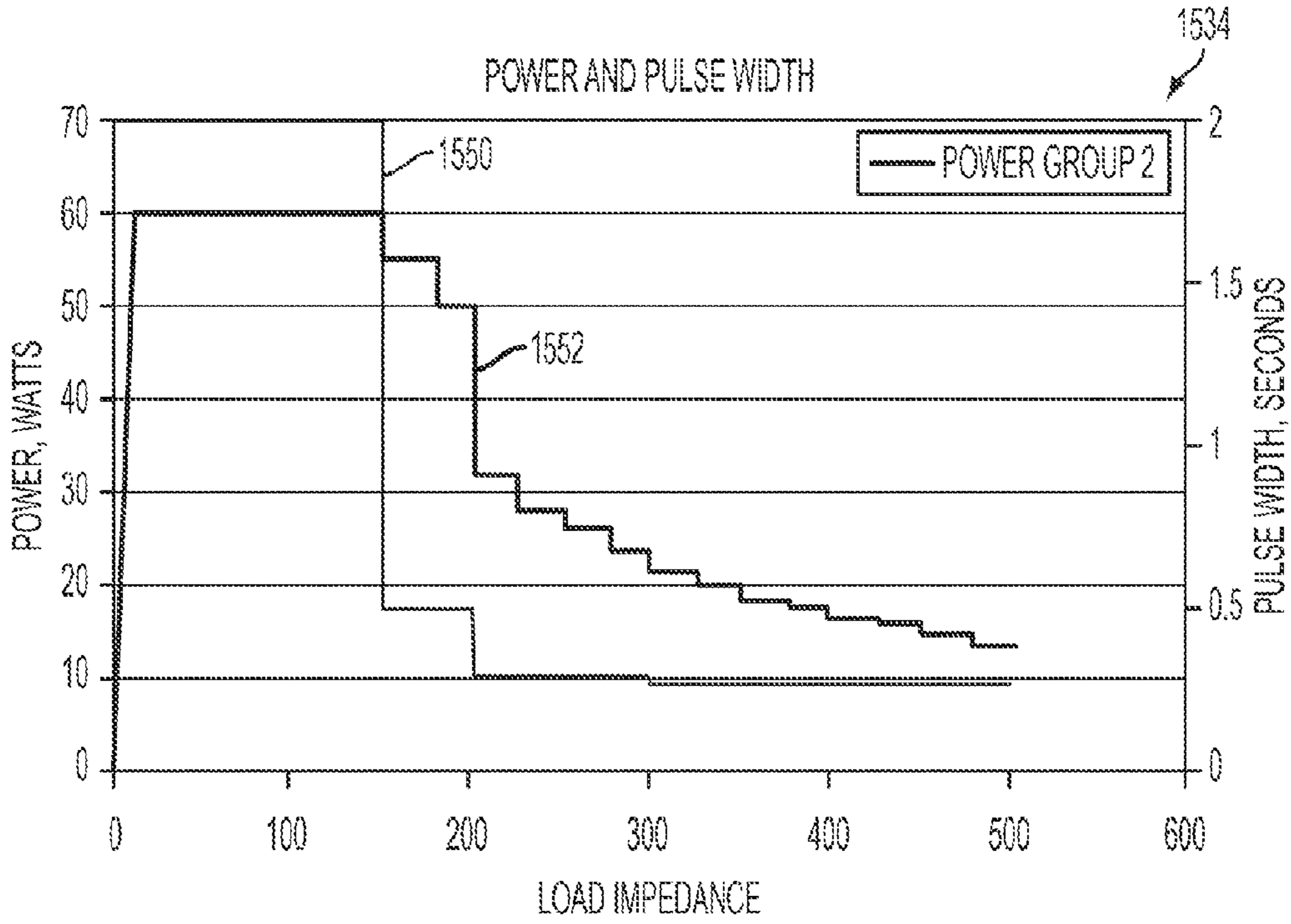


FIG. 82

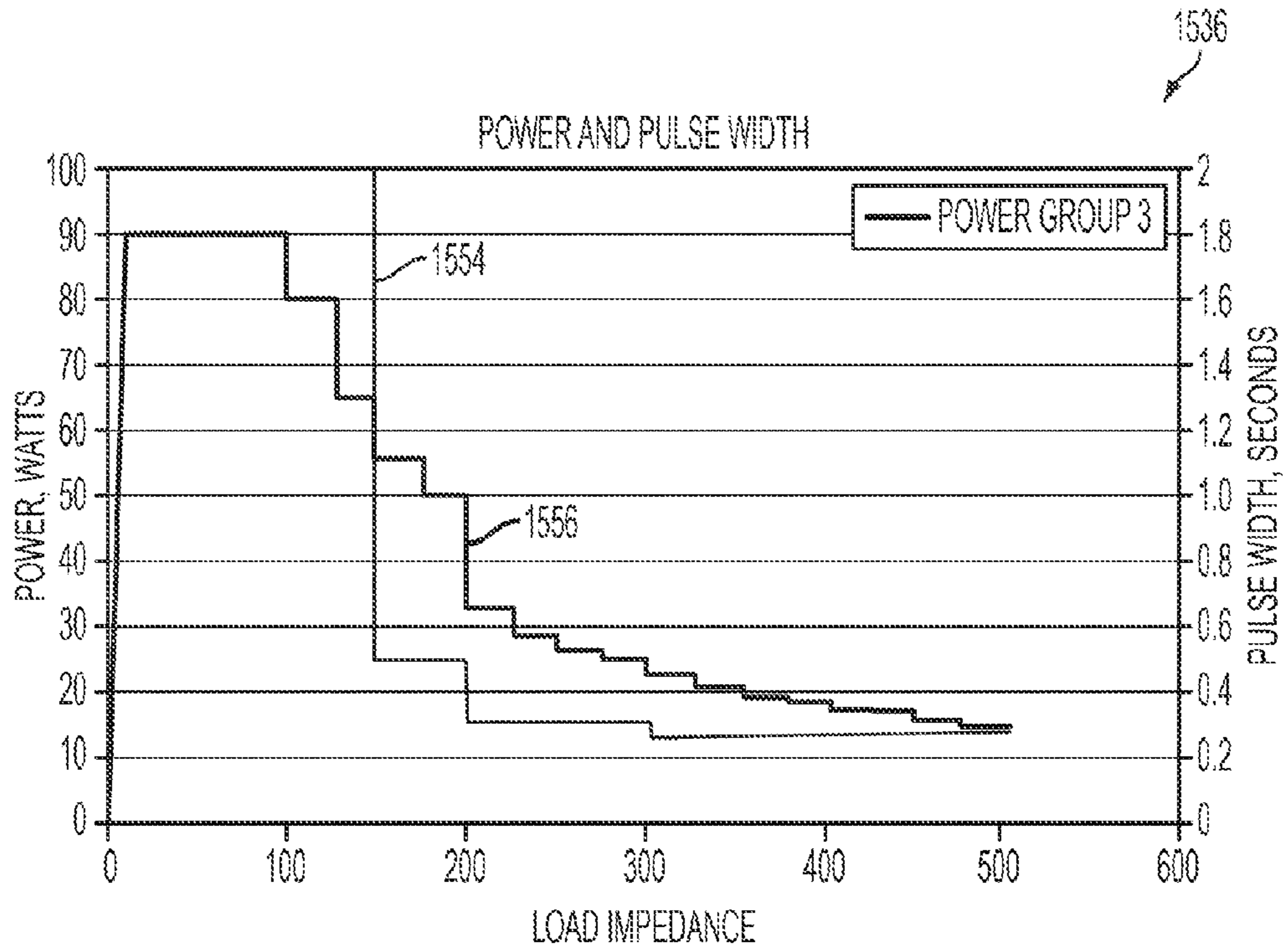


FIG. 83



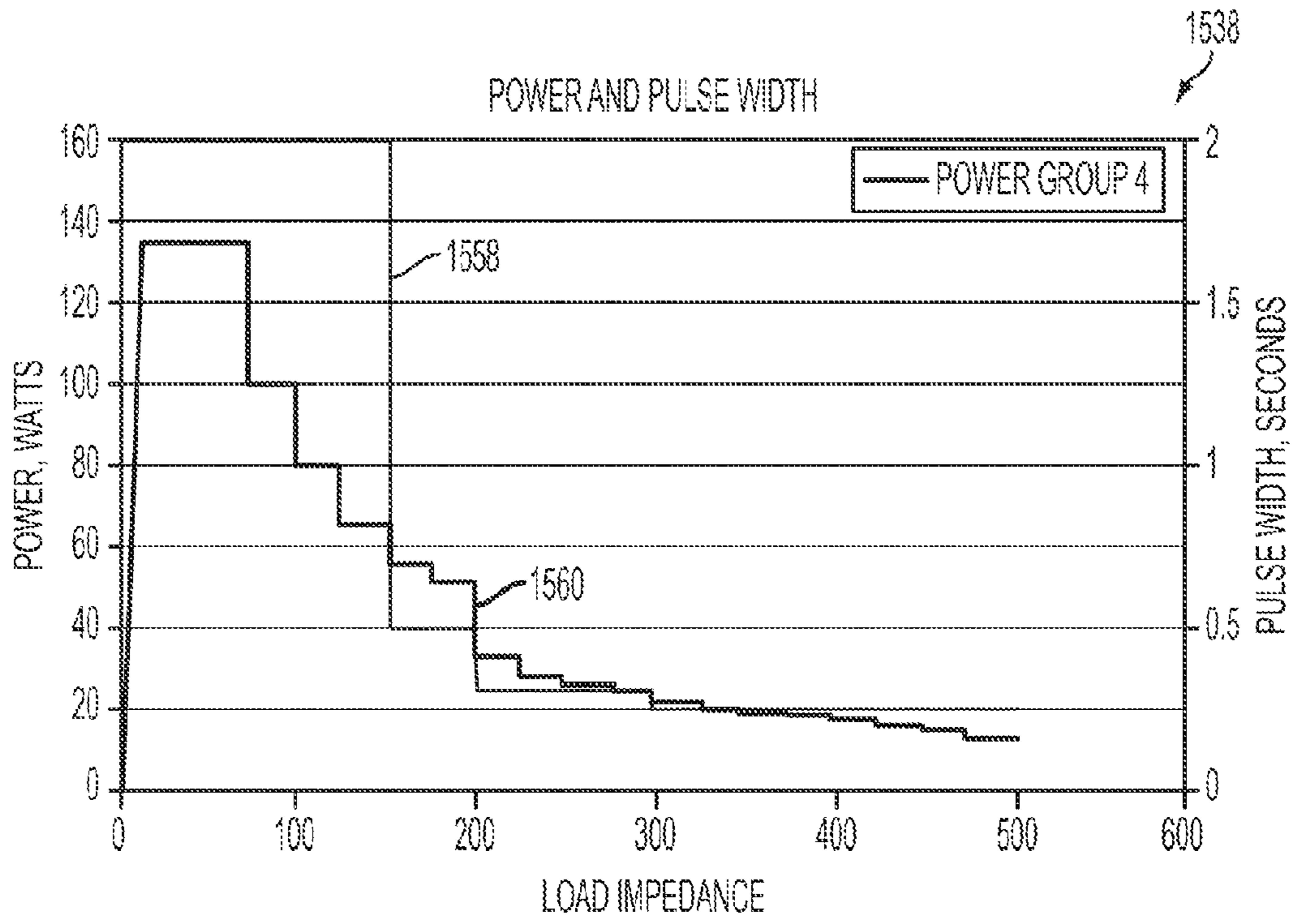


FIG. 84

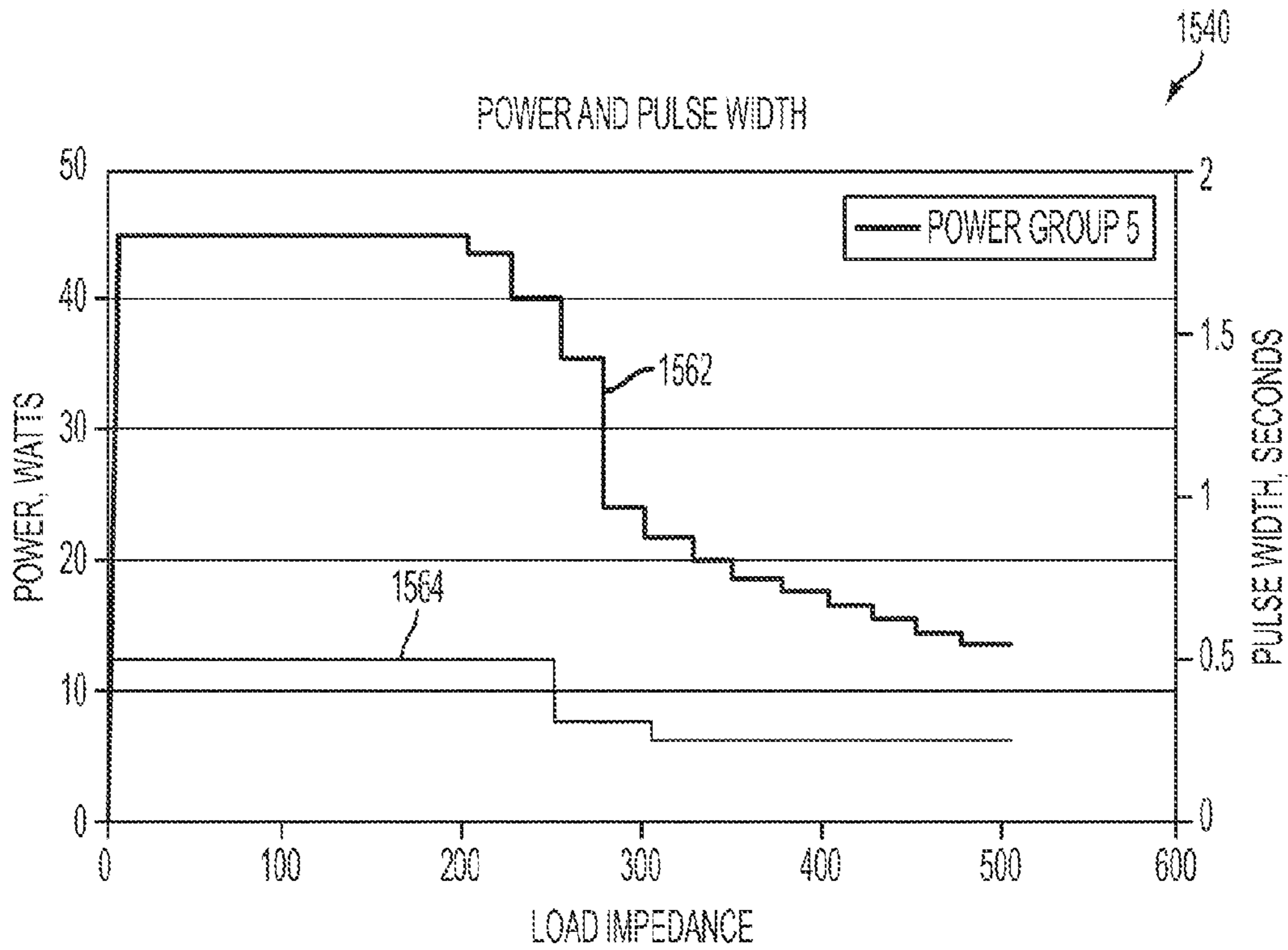


FIG. 85

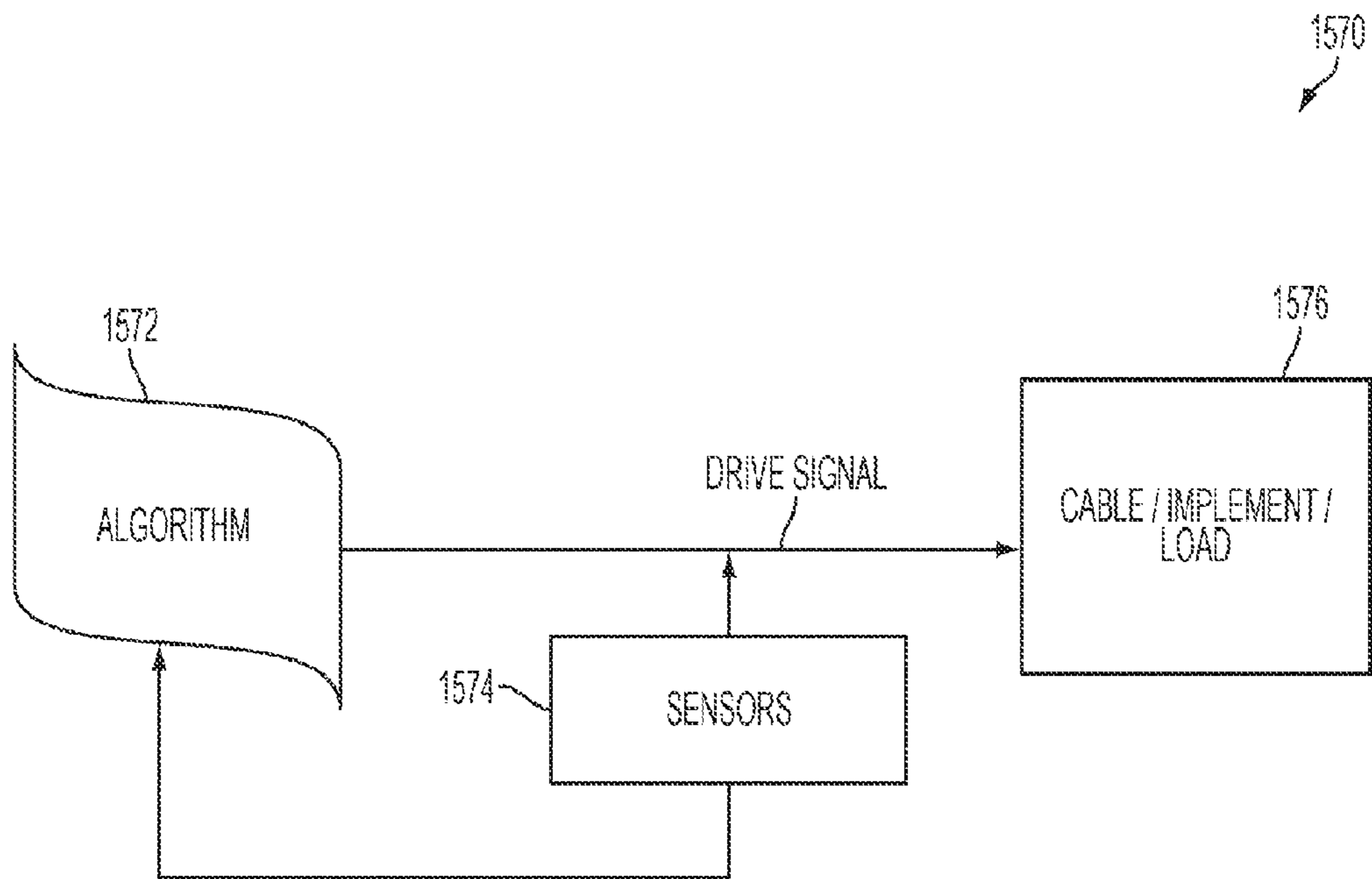


FIG. 86

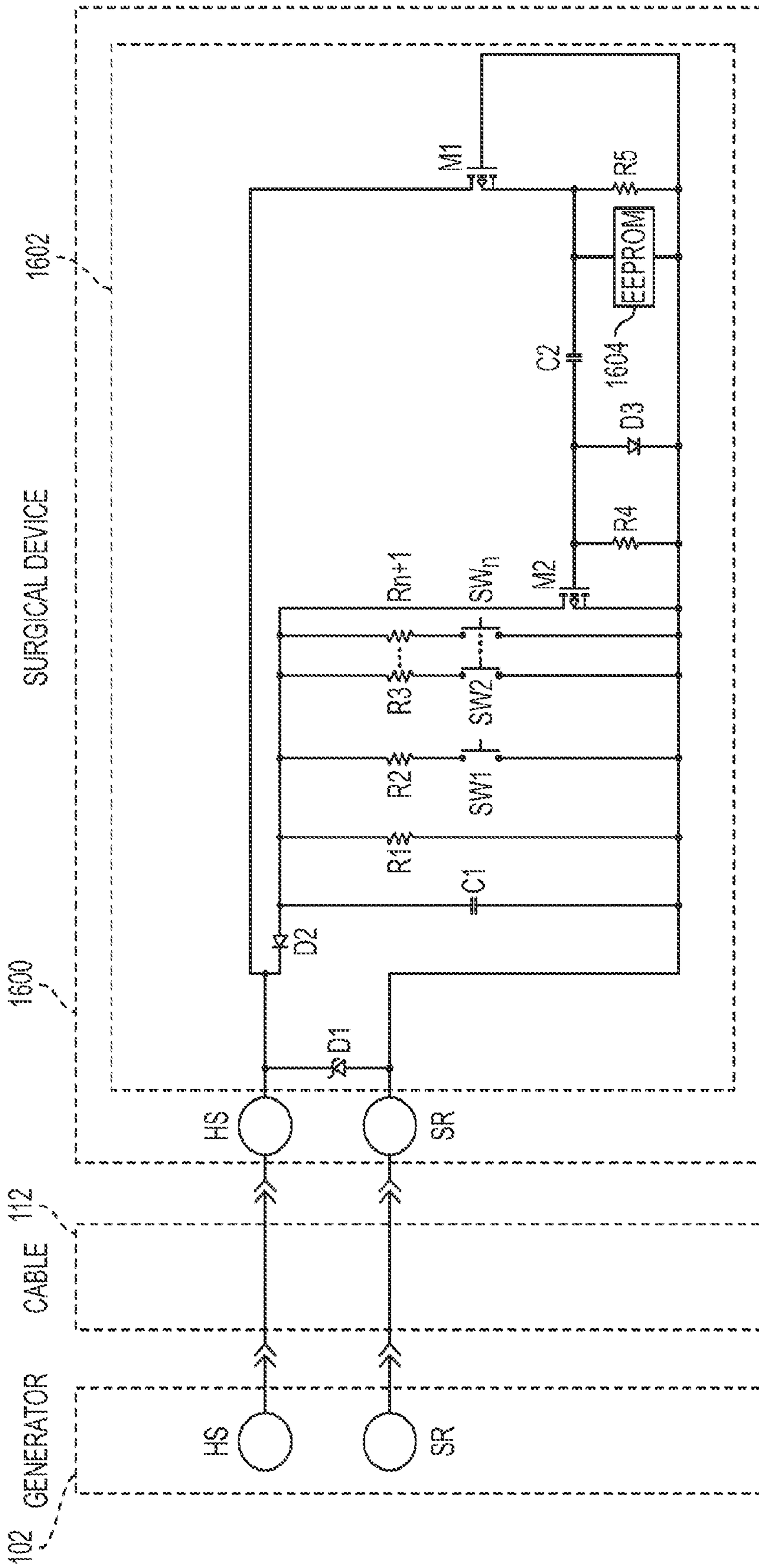


FIG. 87



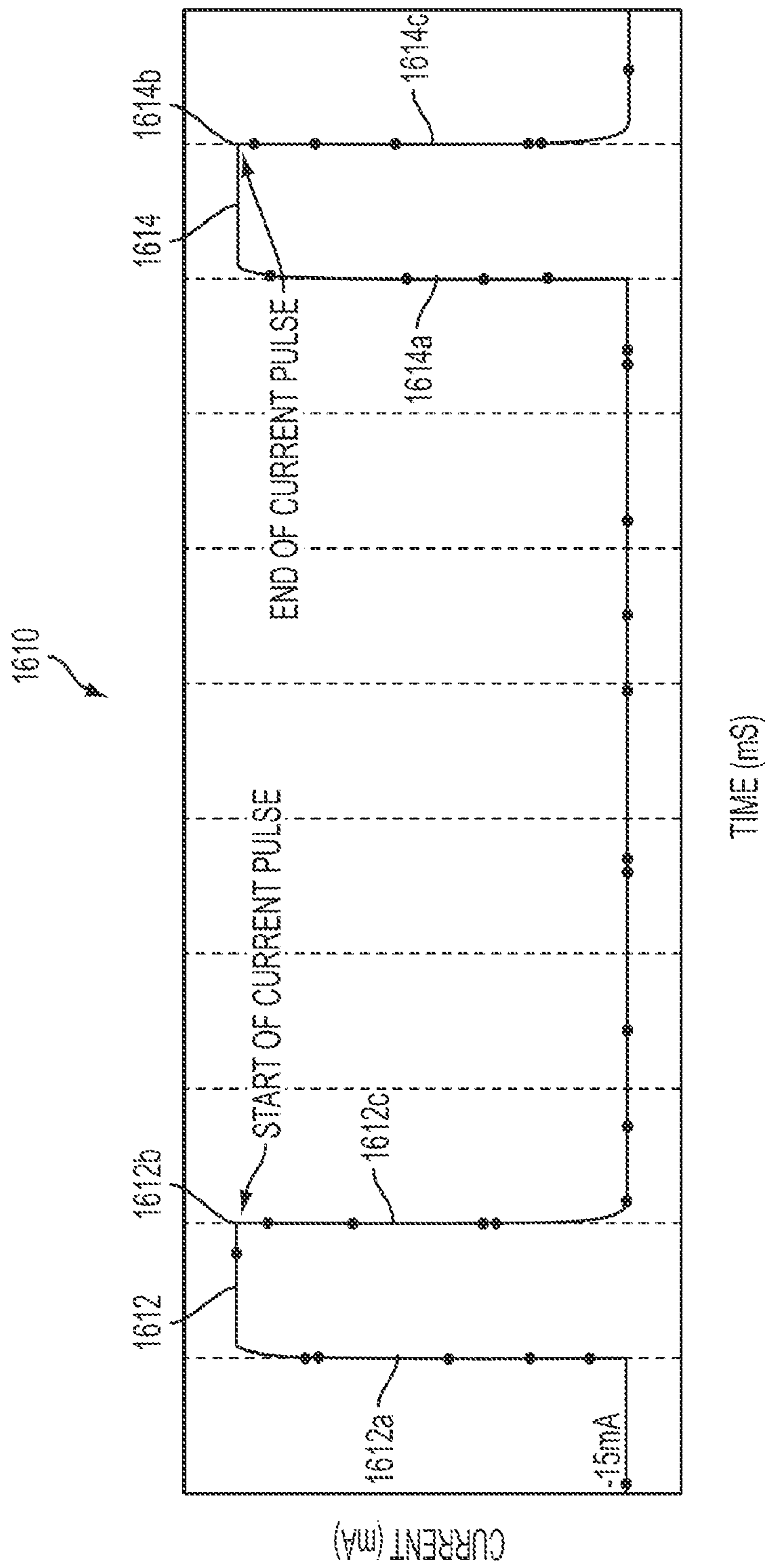


FIG. 88

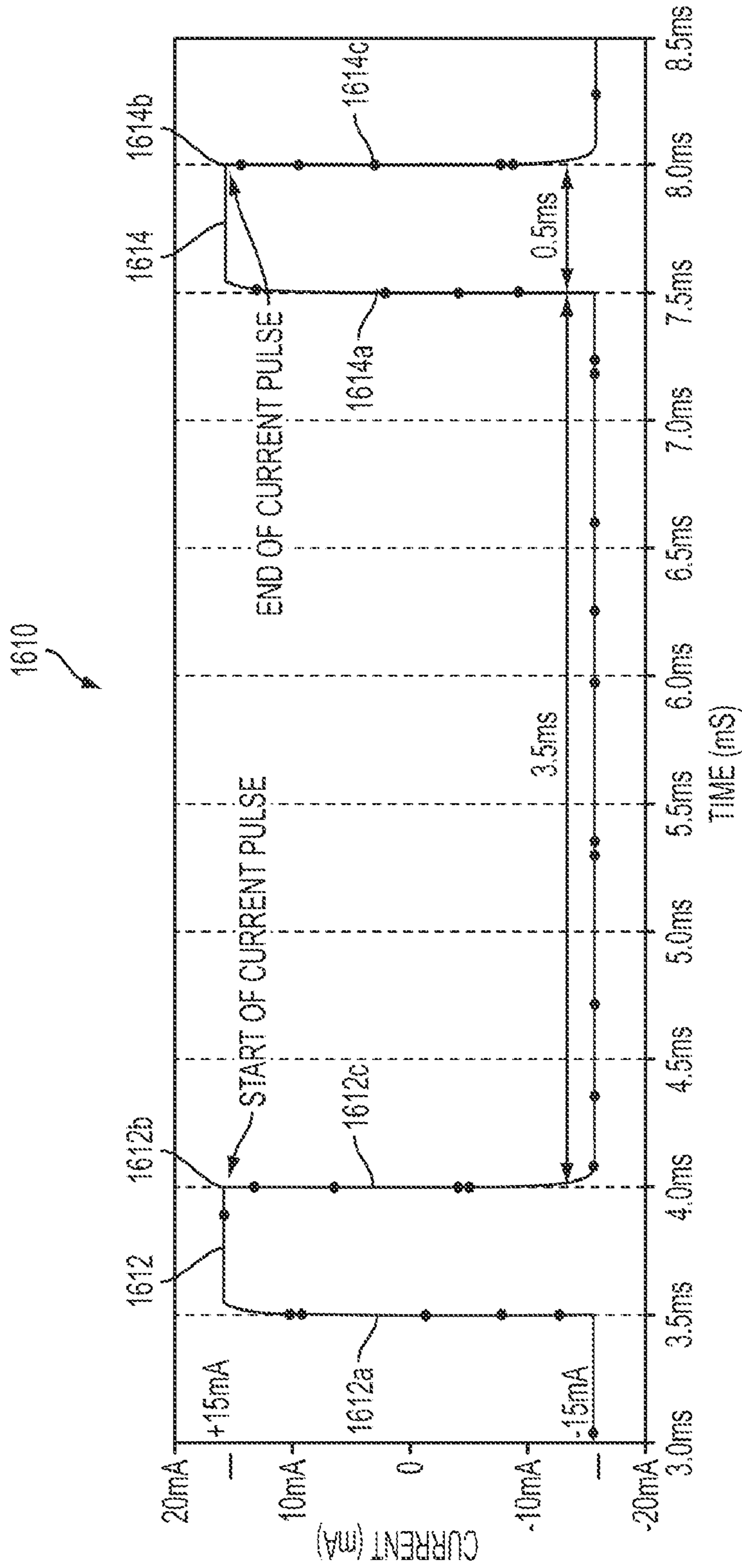


FIG. 88A

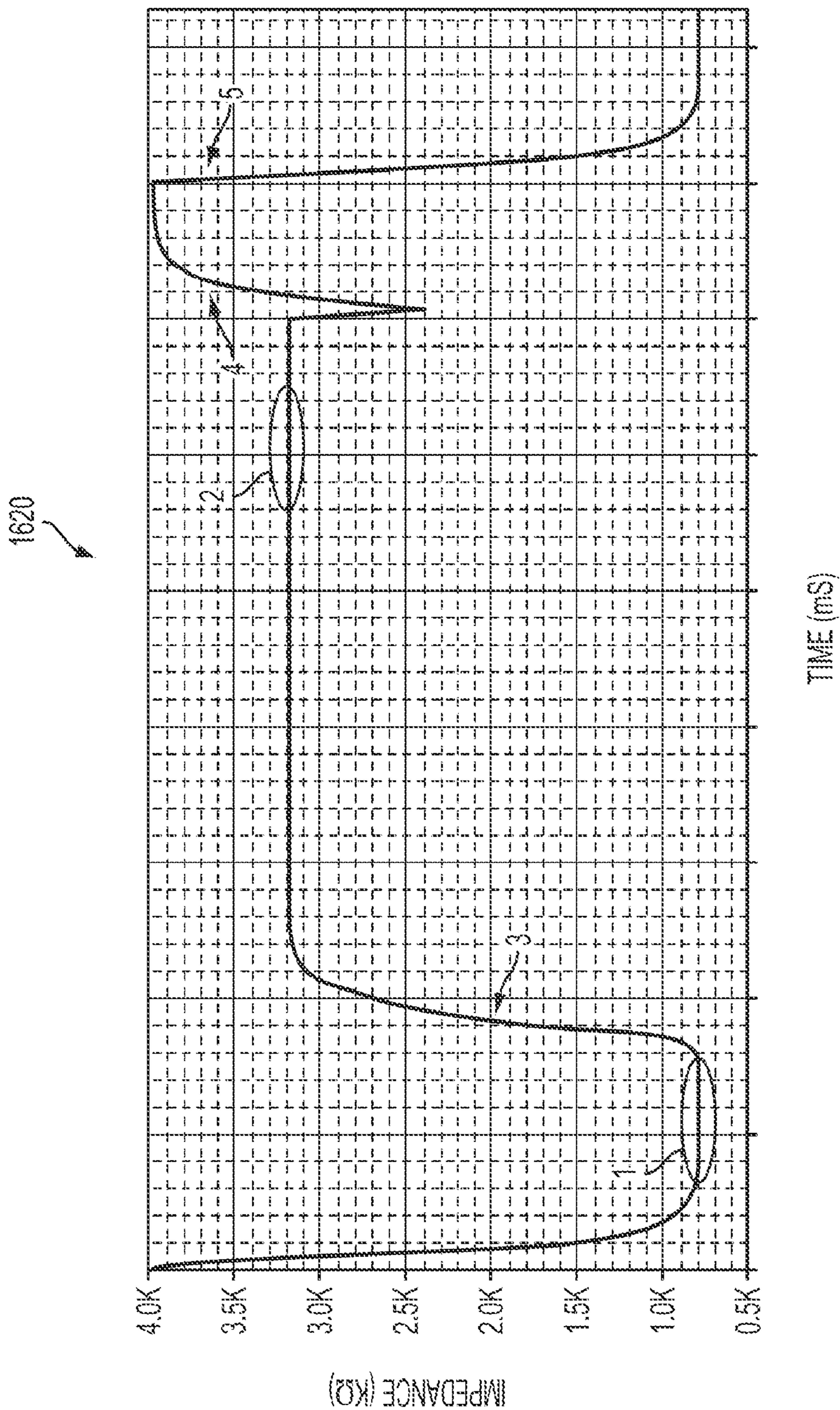
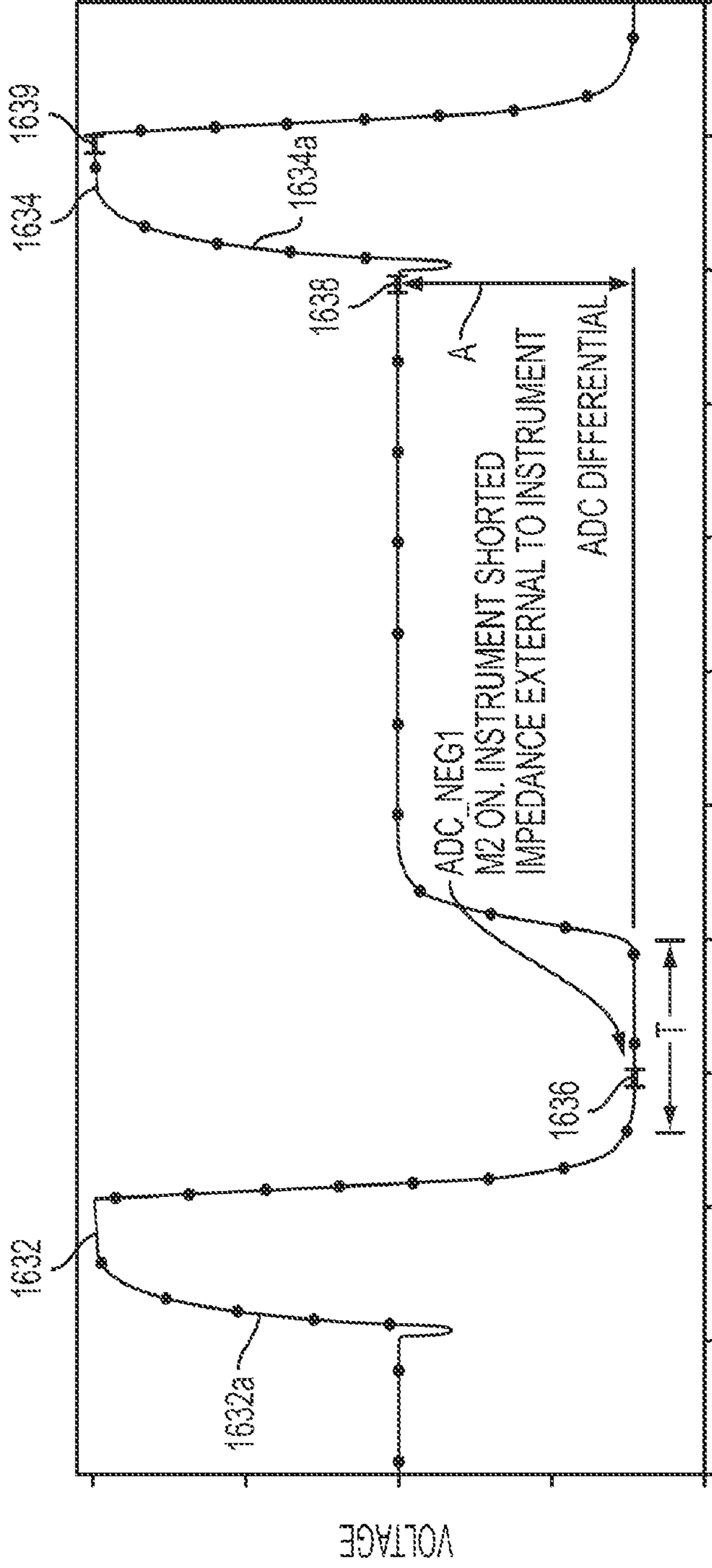


FIG. 89



1630



TIME (ms)

FIG. 90

1630

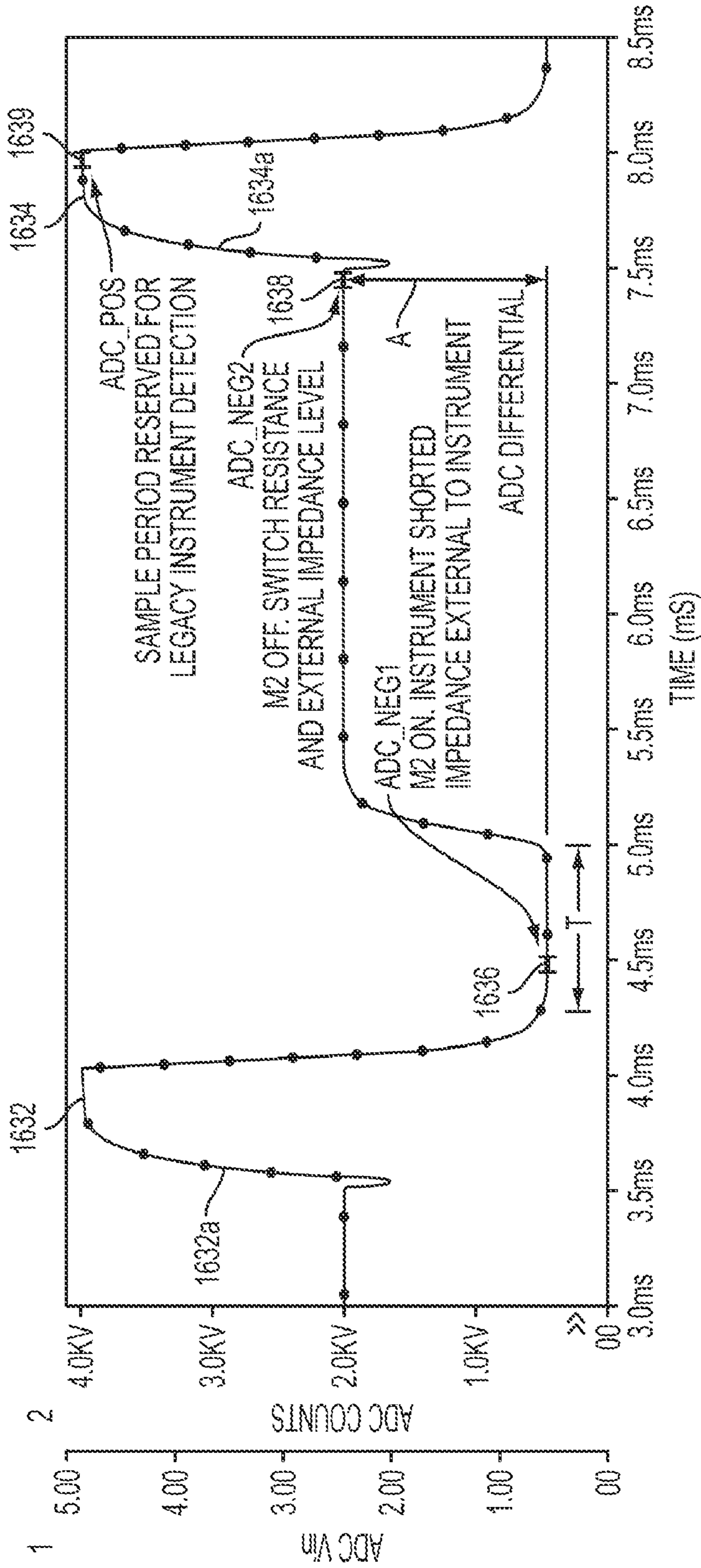
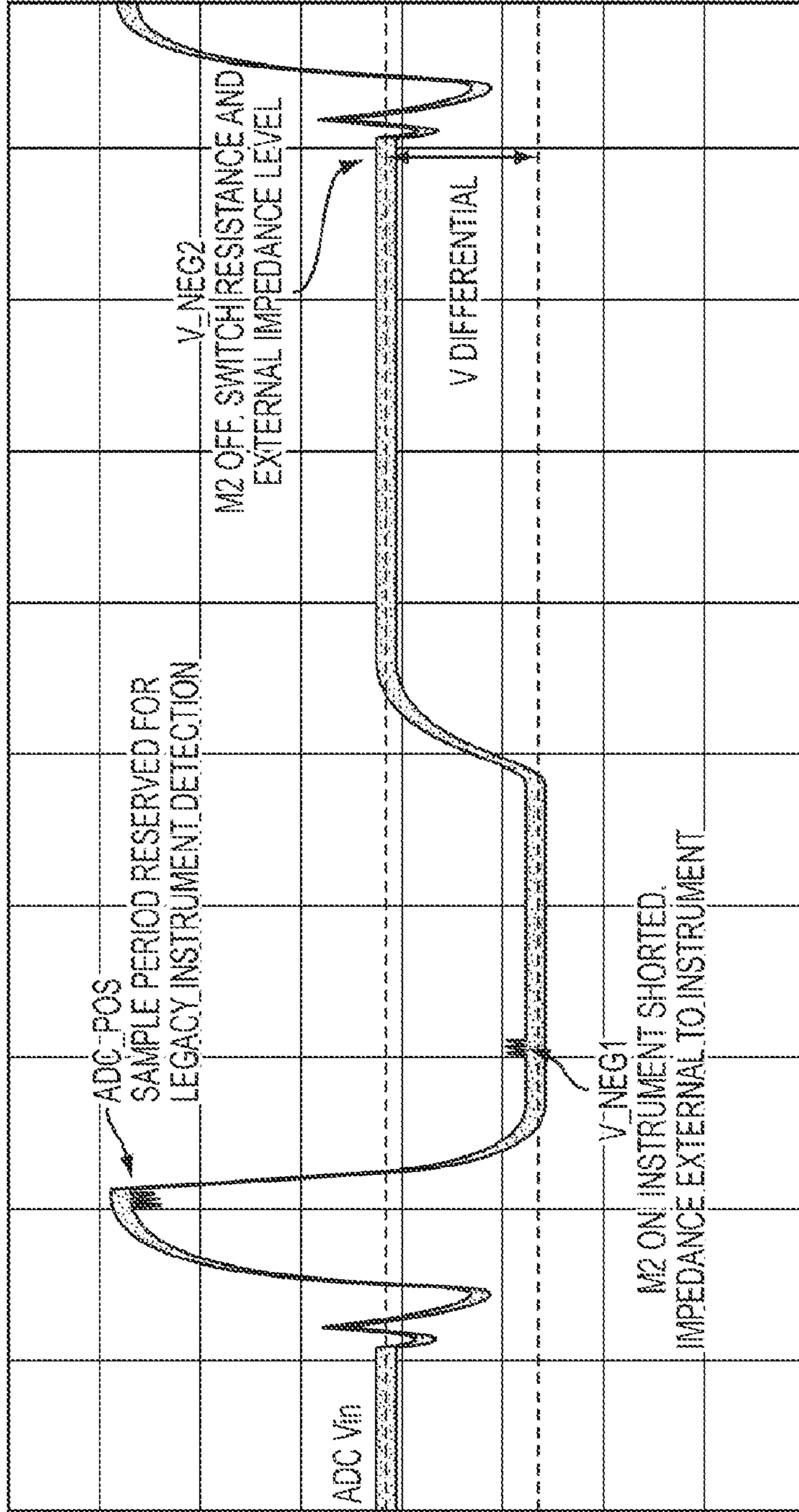


FIG. 90A

1640



ADC Vin (V)

TIME (ms)

FIG. 91



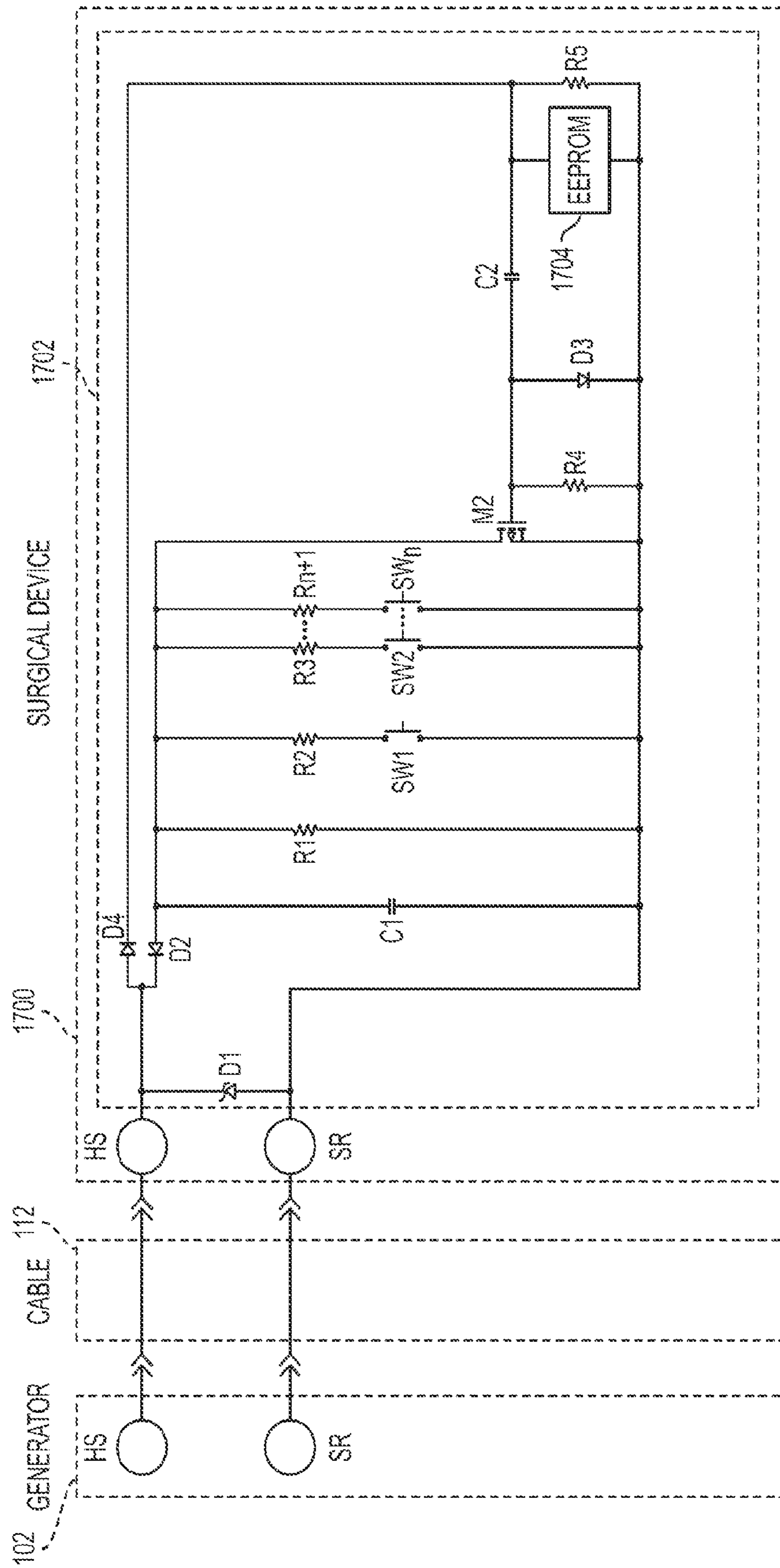


FIG. 92

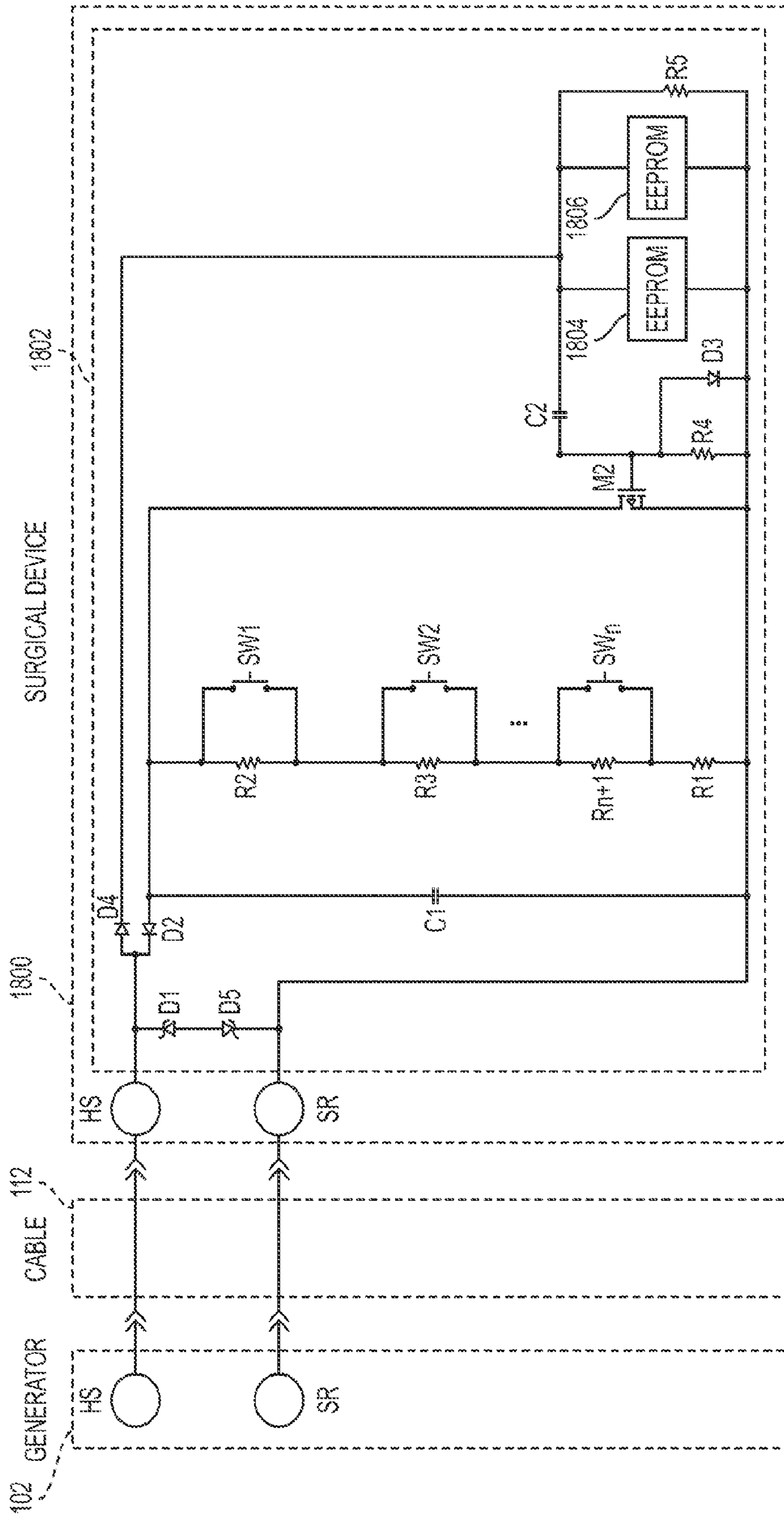


FIG. 93

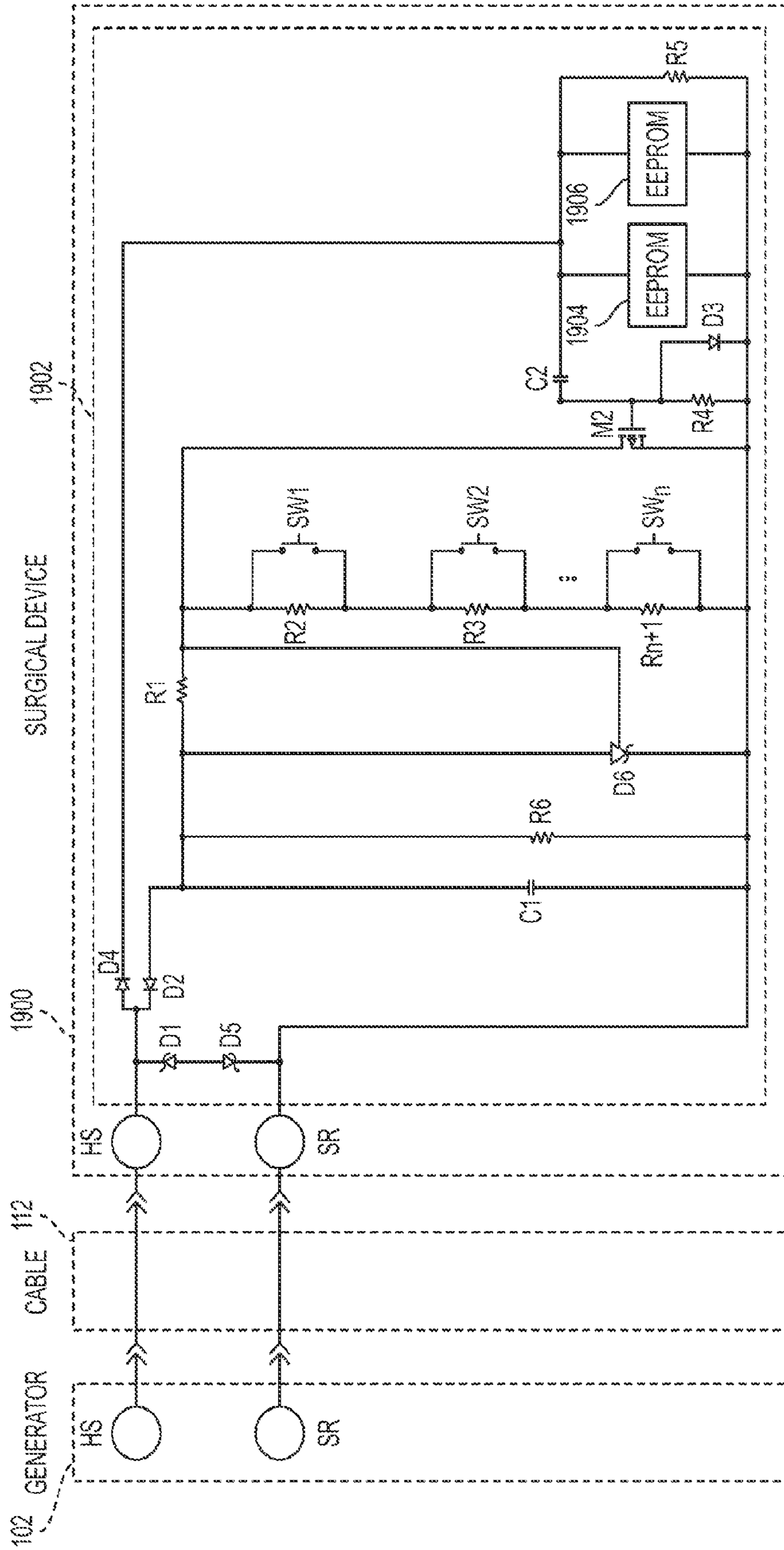


FIG. 94



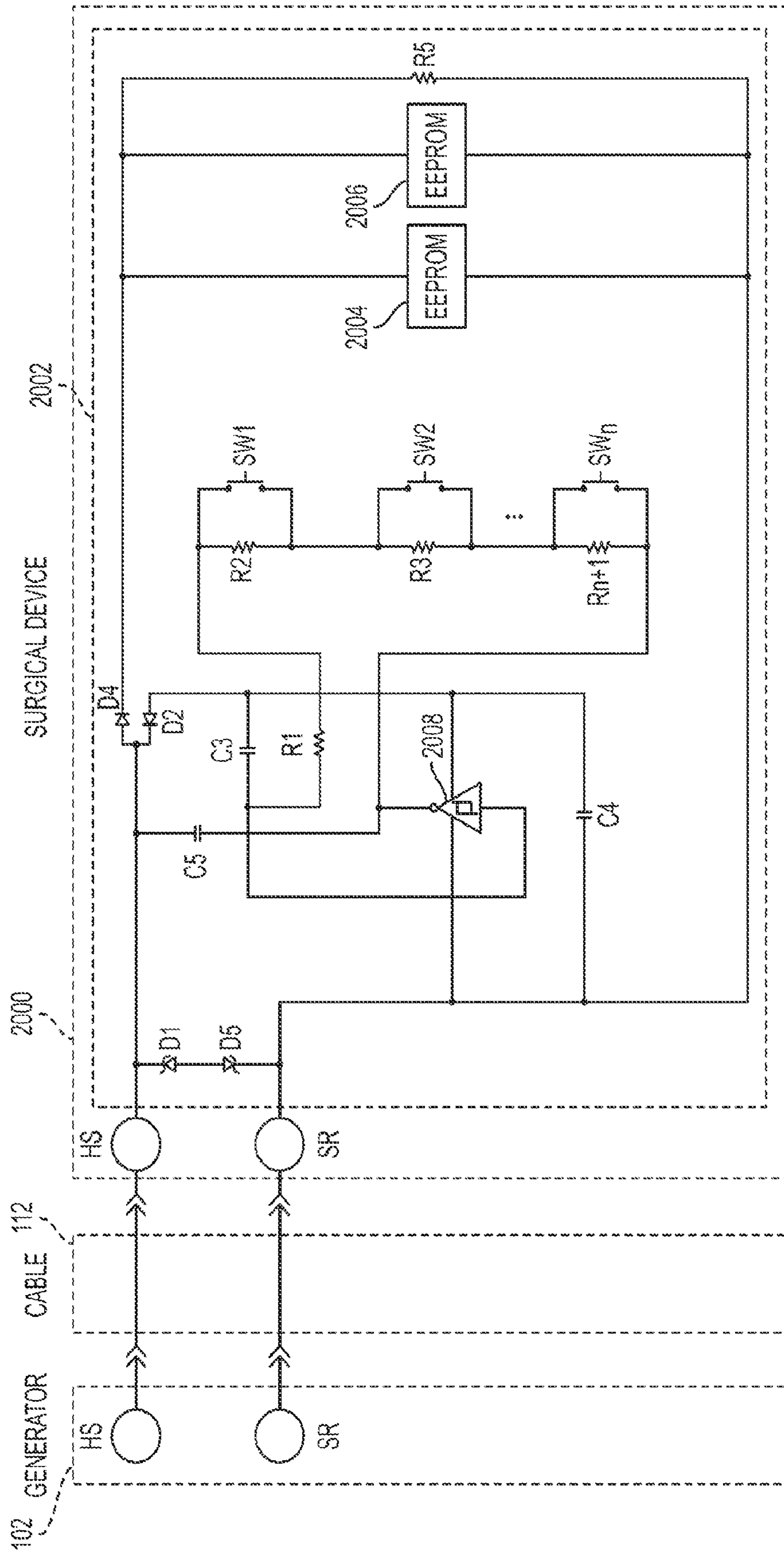


FIG. 95

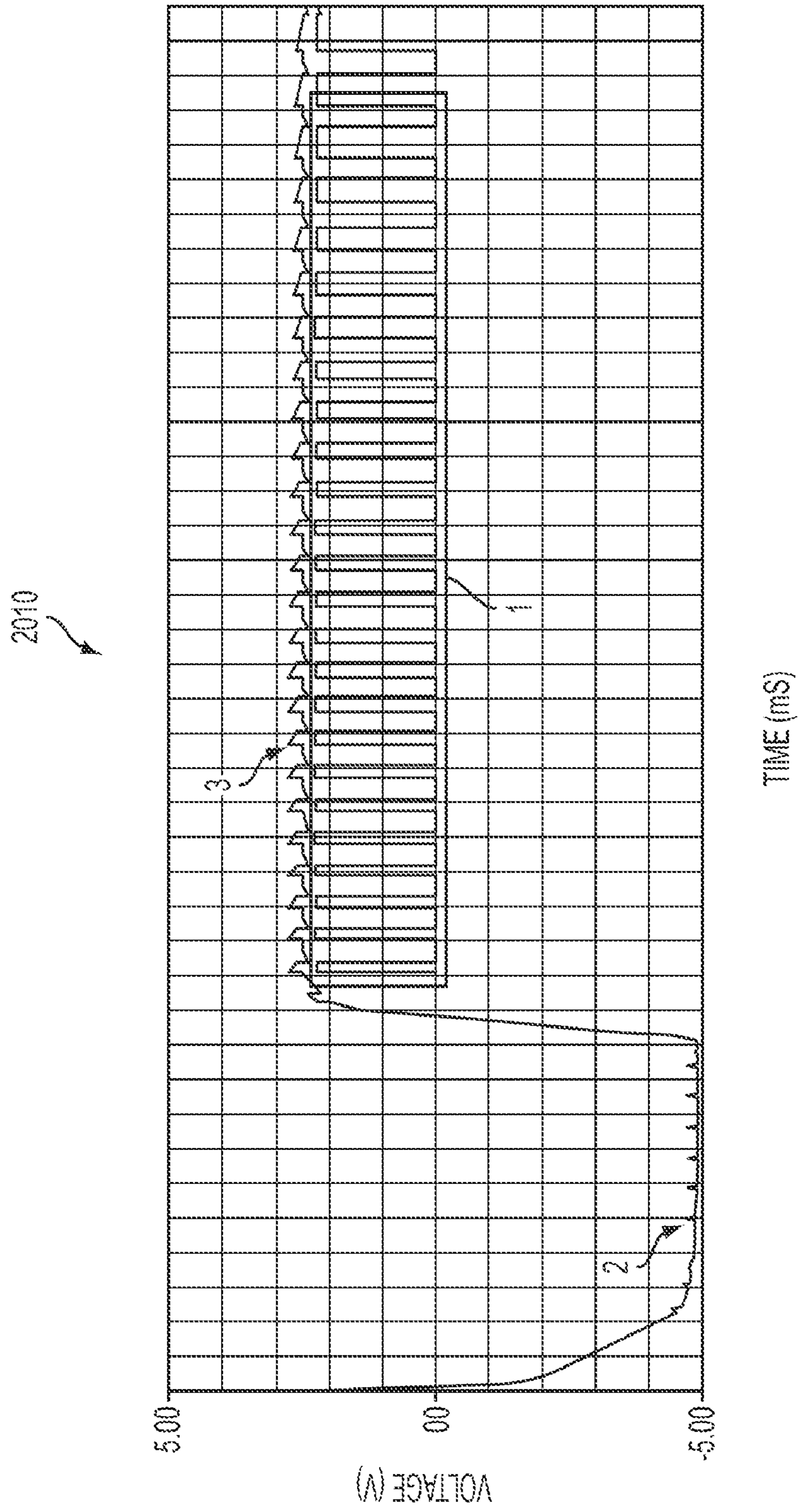


FIG. 96

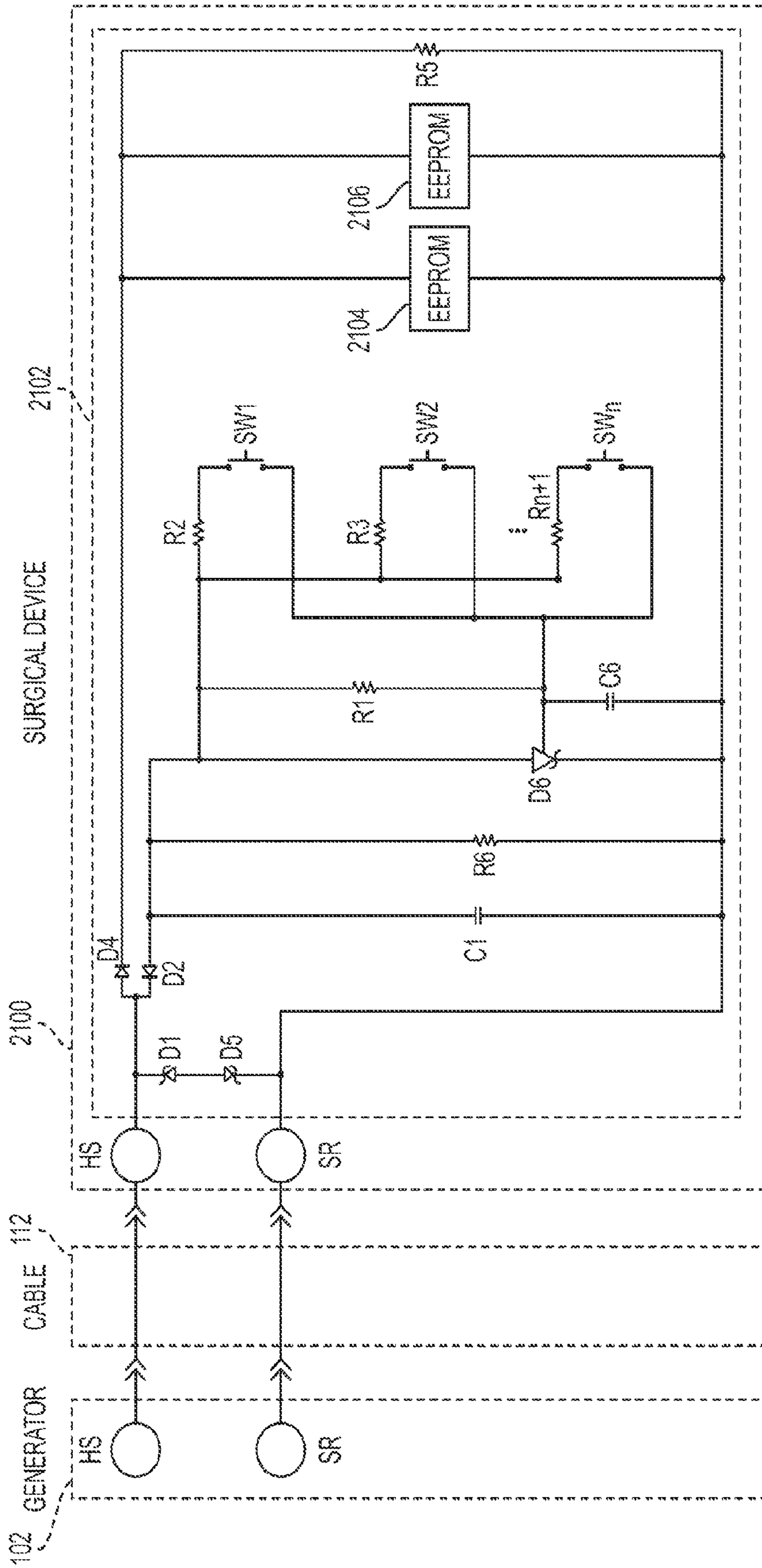


FIG. 97



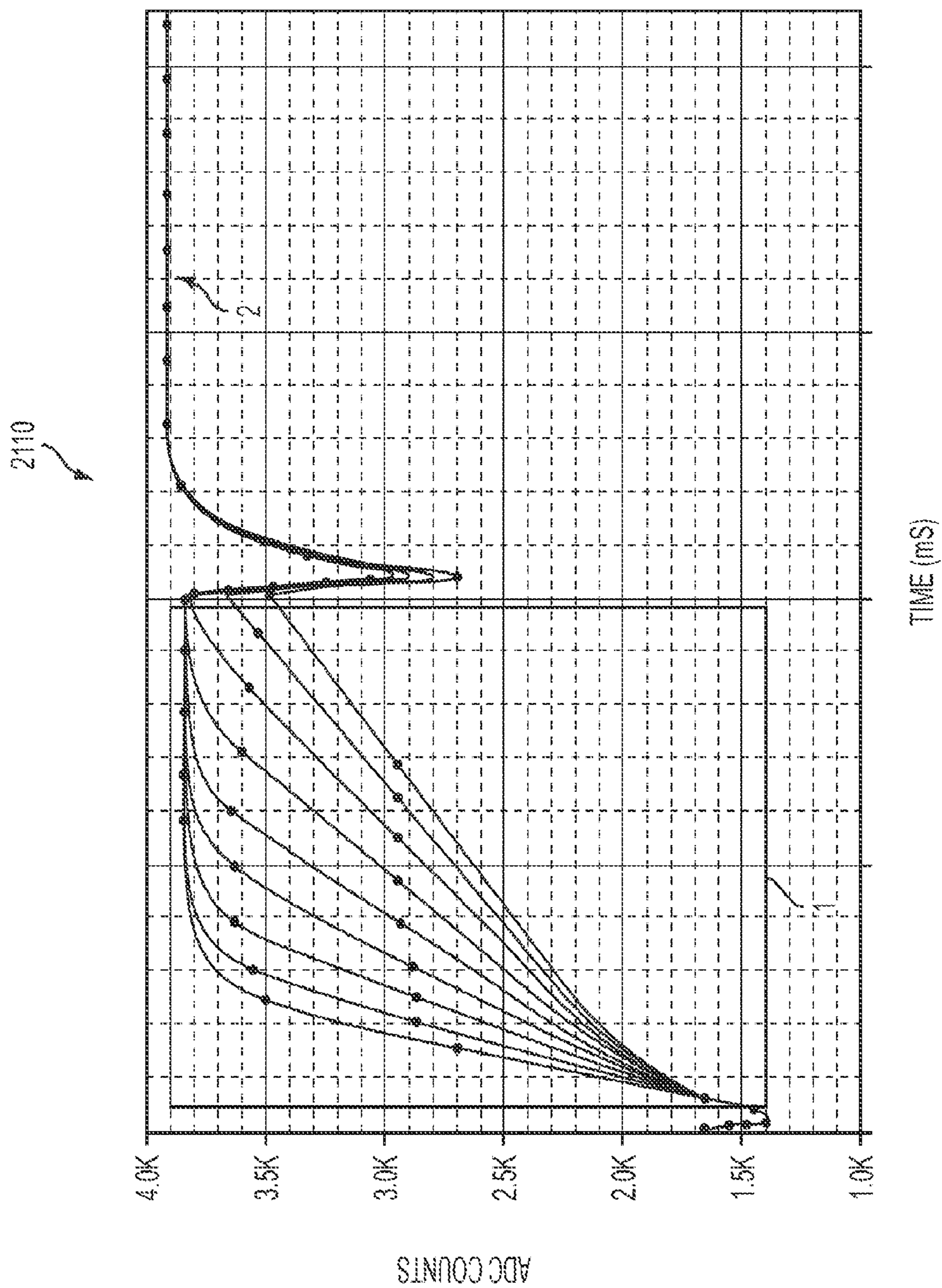


FIG. 98

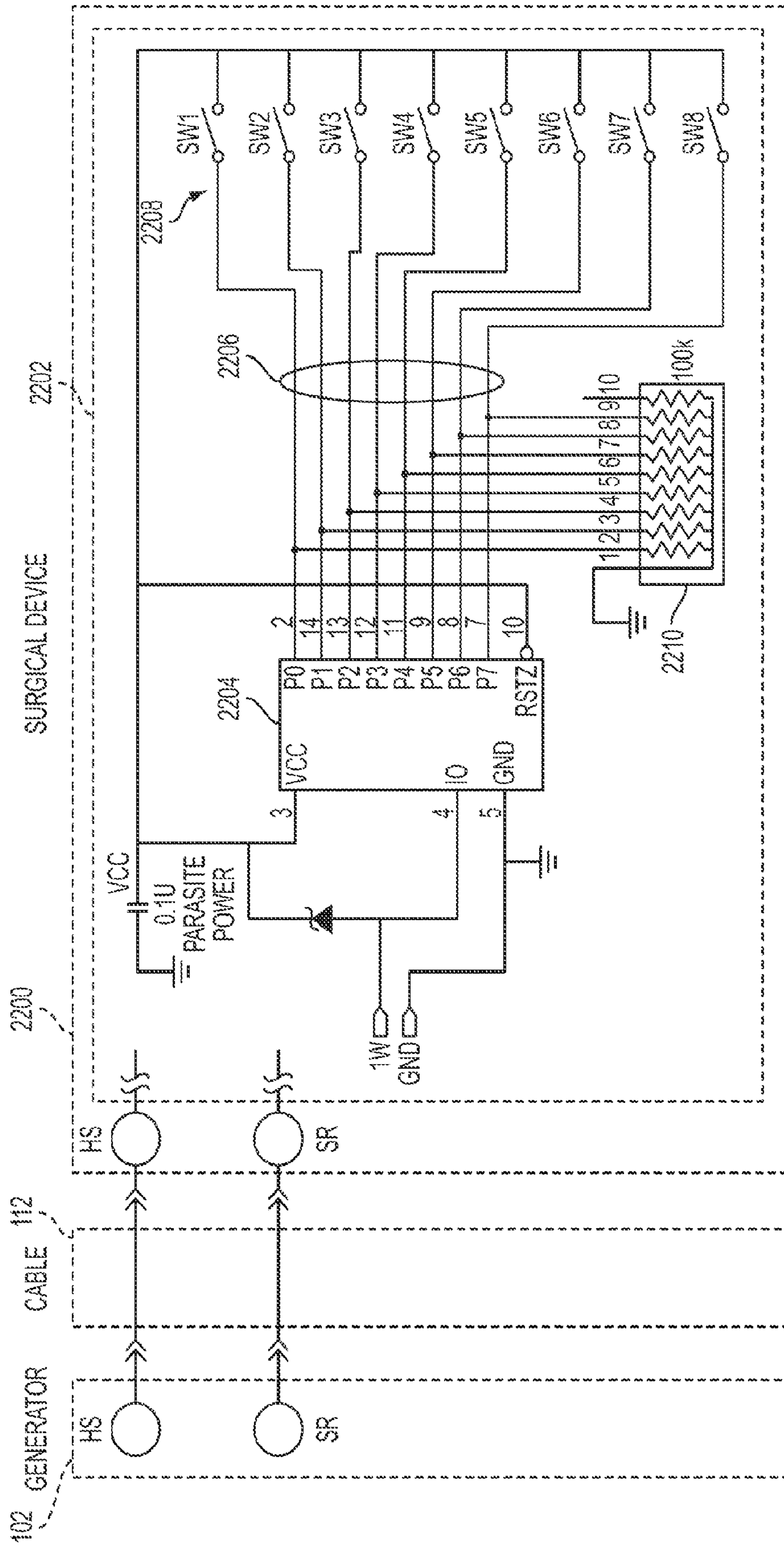


FIG. 99



**SURGICAL GENERATOR FOR ULTRASONIC  
AND ELECTROSURGICAL DEVICES**

**Matter enclosed in heavy brackets [ ] appears in the original patent but forms no part of this reissue specification; matter printed in italics indicates the additions made by reissue; a claim printed with strikethrough indicates that the claim was canceled, disclaimed, or held invalid by a prior post-patent action or proceeding.**

CROSS REFERENCE TO RELATED  
APPLICATION

This application is a *reissue of U.S. patent application Ser. No. 13/448,175, entitled SURGICAL GENERATOR FOR ULTRASONIC AND ELECTROSURGICAL DEVICES, filed on Apr. 16, 2012, which issued as U.S. Pat. No. 9,168,054 on Oct. 27, 2015, which is a continuation-in-part of copending U.S. patent application Ser. No. 13/251,766 entitled [ ] SURGICAL GENERATOR FOR ULTRASONIC AND ELECTROSURGICAL DEVICES, [ ] filed Oct. 3, 2011, now U.S. Patent Publication No. 2012/0078139, which is a continuation-in-part of copending U.S. patent application Ser. No. 12/896,360 entitled [ ] SURGICAL GENERATOR FOR ULTRASONIC AND ELECTROSURGICAL DEVICES, [ ] filed Oct. 1, 2010, [now U.S. Patent Publication No. 2011/0087256] which issued as U.S. Pat. No. 9,060,775 on Jun. 23, 2015, and which claims the benefit under Title 35, United States Code §119(e), of U.S. Provisional Patent Application Ser. No. 61/250,217, filed Oct. 9, 2009 and entitled A DUAL BIPOLAR AND ULTRASONIC GENERATOR FOR ELECTRO-SURGICAL INSTRUMENTS. Each of the applications is hereby incorporated by reference in its entirety.*

The present application also is related to the following U.S. patent applications, concurrently-filed on Oct. 3, 2011, each of which is incorporated herein by reference in its entirety:

(1) U.S. patent application Ser. No. 12/896,351, entitled DEVICES AND TECHNIQUES FOR CUTTING AND COAGULATING TISSUE, now U.S. Patent Publication No. 2011/0082486,

(2) U.S. patent application Ser. No. 12/896,479, entitled SURGICAL GENERATOR FOR ULTRASONIC AND ELECTROSURGICAL DEVICES, now U.S. Patent Publication No. 2011/0087216,

(3) U.S. patent application Ser. No. 12/896,345, entitled SURGICAL GENERATOR FOR ULTRASONIC AND ELECTROSURGICAL DEVICES, now U.S. Patent Publication No. 2011/0087212,

(4) U.S. patent application Ser. No. 12/896,384, entitled SURGICAL GENERATOR FOR ULTRASONIC AND ELECTROSURGICAL DEVICES, now U.S. Patent Publication No. 2011/0087213,

(5) U.S. patent application Ser. No. 12/896,467, entitled SURGICAL GENERATOR FOR ULTRASONIC AND ELECTROSURGICAL DEVICES, now U.S. Patent Publication No. 2011/0087215,

(6) U.S. patent application Ser. No. 12/896,451, entitled SURGICAL GENERATOR FOR ULTRASONIC AND ELECTROSURGICAL DEVICES, now U.S. Patent Publication No. 2011/0087214, and

(7) U.S. patent application Ser. No. 12/896,470, entitled SURGICAL GENERATOR FOR ULTRASONIC AND ELECTROSURGICAL DEVICES, now U.S. Patent Publication No. 2011/0087217.

BACKGROUND

Various embodiments are directed to surgical devices, and generators for supplying energy to surgical devices, for use in open or minimally invasive surgical environments.

Ultrasonic surgical devices, such as ultrasonic scalpels, are finding increasingly widespread applications in surgical procedures by virtue of their unique performance characteristics. Depending upon specific device configurations and operational parameters, ultrasonic surgical devices can provide substantially simultaneous transection of tissue and homeostasis by coagulation, desirably minimizing patient trauma. An ultrasonic surgical device may comprise a handpiece containing an ultrasonic transducer, and an instrument coupled to the ultrasonic transducer having a distally-mounted end effector (e.g., a blade tip) to cut and seal tissue. In some cases, the instrument may be permanently affixed to the handpiece. In other cases, the instrument may be detachable from the handpiece, as in the case of a disposable instrument or an instrument that is interchangeable between different. The end effector transmits ultrasonic energy to tissue brought into contact with the end effector to realize cutting and sealing action. Ultrasonic surgical devices of this nature can be configured for open surgical use, laparoscopic, or endoscopic surgical procedures including robotic-assisted procedures.

Ultrasonic energy cuts and coagulates tissue using temperatures lower than those used in electrosurgical procedures and can be transmitted to the end effector by an ultrasonic generator in communication with the handpiece. Vibrating at high frequencies (e.g., 55,500 times per second), the ultrasonic blade denatures protein in the tissue to form a sticky coagulum. Pressure exerted on tissue by the blade surface collapses blood vessels and allows the coagulum to form a haemostatic seal. A surgeon can control the cutting speed and coagulation by the force applied to the tissue by the end effector, the time over which the force is applied and the selected excursion level of the end effector.

The ultrasonic transducer may be modeled as an equivalent circuit comprising first branch having a static capacitance and a second “motional” branch having a serially connected inductance, resistance and capacitance that define the electromechanical properties of a resonator. Known ultrasonic generators may include a tuning inductor for tuning out the static capacitance at a resonant frequency so that substantially all of generator’s drive signal current flows into the motional branch. Accordingly, by using a tuning inductor, the generator’s drive signal current represents the motional branch current, and the generator is thus able to control its drive signal to maintain the ultrasonic transducer’s resonant frequency. The tuning inductor may also transform the phase impedance plot of the ultrasonic transducer to improve the generator’s frequency lock capabilities. However, the tuning inductor must be matched with the specific static capacitance of an ultrasonic transducer at the operational resonance frequency. In other words, a different ultrasonic transducer having a different static capacitance requires a different tuning inductor.

Additionally, in some ultrasonic generator architectures, the generator’s drive signal exhibits asymmetrical harmonic distortion that complicates impedance magnitude and phase measurements. For example, the accuracy of impedance phase measurements may be reduced due to harmonic distortion in the current and voltage signals.

Moreover, electromagnetic interference in noisy environments decreases the ability of the generator to maintain lock



on the ultrasonic transducer's resonant frequency, increasing the likelihood of invalid control algorithm inputs.

Electrosurgical devices for applying electrical energy to tissue in order to treat and/or destroy the tissue are also finding increasingly widespread applications in surgical procedures. An electrosurgical device may comprise a handpiece and an instrument having a distally-mounted end effector (e.g., one or more electrodes). The end effector can be positioned against the tissue such that electrical current is introduced into the tissue. Electrosurgical devices can be configured for bipolar or monopolar operation. During bipolar operation, current is introduced into and returned from the tissue by active and return electrodes, respectively, of the end effector. During monopolar operation, current is introduced into the tissue by an active electrode of the end effector and returned through a return electrode (e.g., a grounding pad) separately located on a patient's body. Heat generated by the current flow through the tissue may form haemostatic seals within the tissue and/or between tissues and thus may be particularly useful for sealing blood vessels, for example. The end effector of an electrosurgical device may also comprise a cutting member that is movable relative to the tissue and the electrodes to transect the tissue.

Electrical energy applied by an electrosurgical device can be transmitted to the instrument by a generator in communication with the handpiece. The electrical energy may be in the form of radio frequency ("RF") energy. RF energy is a form of electrical energy that may be in the frequency range of 300 kHz to 1 MHz. During its operation, an electrosurgical device can transmit low frequency RF energy through tissue, which causes ionic agitation, or friction, in effect resistive heating, thereby increasing the temperature of the tissue. Because a sharp boundary may be created between the affected tissue and the surrounding tissue, surgeons can operate with a high level of precision and control, without sacrificing un-targeted adjacent tissue. The low operating temperatures of RF energy may be useful for removing, shrinking, or sculpting soft tissue while simultaneously sealing blood vessels. RF energy may work particularly well on connective tissue, which is primarily comprised of collagen and shrinks when contacted by heat.

Due to their unique drive signal, sensing and feedback needs, ultrasonic and electrosurgical devices have generally required different generators. Additionally, in cases where the instrument is disposable or interchangeable with a handpiece, ultrasonic and electrosurgical generators are limited in their ability to recognize the particular instrument configuration being used and to optimize control and diagnostic processes accordingly. Moreover, capacitive coupling between the non-isolated and patient-isolated circuits of the generator, especially in cases where higher voltages and frequencies are used, may result in exposure of a patient to unacceptable levels of leakage current.

Furthermore, due to their unique drive signal, sensing and feedback needs, ultrasonic and electrosurgical devices have generally required different user interfaces for the different generators. In such conventional ultrasonic and electrosurgical devices, one user interface is configured for use with an ultrasonic instrument whereas a different user interface may be configured for use with an electrosurgical instrument. Such user interfaces include hand and/or foot activated user interfaces such as hand activated switches and/or foot activated switches. As various embodiments of combined generators for use with both ultrasonic and electrosurgical instruments are contemplated in the subsequent disclosure, additional user interfaces that are configured to

operate with both ultrasonic and/or electrosurgical instrument generators also are contemplated.

Additional user interfaces for providing feedback, whether to the user or other machine, are contemplated within the subsequent disclosure to provide feedback indicating an operating mode or status of either an ultrasonic and/or electrosurgical instrument. Providing user and/or machine feedback for operating a combination ultrasonic and/or electrosurgical instrument will require providing sensory feedback to a user and electrical/mechanical/electromechanical feedback to a machine. Feedback devices that incorporate visual feedback devices (e.g., an LCD display screen, LED indicators), audio feedback devices (e.g., a speaker, a buzzer) or tactile feedback devices (e.g., haptic actuators) for use in combined ultrasonic and/or electrosurgical instruments are contemplated in the subsequent disclosure.

#### SUMMARY

Various embodiments of a generator to communicate a drive signal to a surgical device are disclosed. In accordance with various embodiments, the generator may comprise a power amplifier to receive a time-varying drive signal waveform. The drive signal waveform may be generated by a digital-to-analog conversion of at least a portion of a plurality of drive signal waveform samples. An output of the power amplifier may be for generating a drive signal. The drive signal may comprise one of: a first drive signal to be communicated to an ultrasonic surgical device, a second drive signal to be communicated to an electrosurgical device. The generator may also comprise a sampling circuit to generate samples of current and voltage of the drive signal when the drive signal is communicated to the surgical device. Generation of the samples may be synchronized with the digital-to-analog conversion of the drive signal waveform samples such that, for each digital-to-analog conversion of a drive signal waveform sample, the sampling circuit generates a corresponding set of current and voltage samples. The generator may also comprise at least one device programmed to, for each drive signal waveform sample and corresponding set of current and voltage samples, store the current and voltage samples in a memory of the at least one device to associate the stored samples with the drive signal waveform sample. The at least one device may also be programmed to, when the drive signal comprises the first drive signal: determine a motional branch current sample of the ultrasonic surgical device based on the stored current and voltage samples, compare the motional branch current sample to a target sample selected from a plurality of target samples that define a target waveform, the target sample selected based on the drive signal waveform sample, determine an amplitude error between the target sample and the motional branch current sample, and modify the drive signal waveform sample such that an amplitude error determined between the target sample and a subsequent motional branch current sample based on current and voltage samples associated with the modified drive signal waveform sample is reduced.

In accordance with various embodiments, the generator may comprise a memory and a device coupled to the memory to receive for each of a plurality of drive signal waveform samples used to synthesize the drive signal, a corresponding set of current and voltage samples of the drive signal. For each drive signal waveform sample and corresponding set of current and voltage samples, the device may store the samples in a memory of the device to associate



5

the stored samples with the drive signal waveform sample. Also, for each drive signal waveform sample and corresponding set of current and voltage samples, the device may, when the drive signal comprises a first drive signal to be communicated to an ultrasonic surgical device, determine a motional branch current sample of the ultrasonic surgical device based on the stored samples, compare the motional branch current sample to a target sample selected from a plurality of target samples that define a target waveform, the target sample selected based on the drive signal waveform sample, determine an amplitude error between the target sample and the motional branch current sample, and modify the drive signal waveform sample such that an amplitude error determined between the target sample and a subsequent motional branch current sample based on current and voltage samples associated with the modified drive signal waveform sample is reduced.

In accordance with various embodiments, methods for determining motional branch current in an ultrasonic transducer of an ultrasonic surgical device over multiple frequencies of a transducer drive signal are also disclosed. In one embodiment, the method may comprise, at each of a plurality of frequencies of the transducer drive signal, oversampling a current and voltage of the transducer drive signal, receiving, by a processor, the current and voltage samples, and determining, by the processor, the motional branch current based on the current and voltage samples, a static capacitance of the ultrasonic transducer and the frequency of the transducer drive signal.

In accordance with various embodiments, methods for controlling a waveform shape of a motional branch current in an ultrasonic transducer of a surgical device are also disclosed. In one embodiment, the method may comprise generating a transducer drive signal by selectively recalling, using a direct digital synthesis (DDS) algorithm, drive signal waveform samples stored in a look-up table (LUT), generating samples of current and voltage of the transducer drive signal when the transducer drive signal is communicated to the surgical device, determining samples of the motional branch current based on the current and voltage samples, a static capacitance of the ultrasonic transducer and a frequency of the transducer drive signal, comparing each sample of the motional branch current to a respective target sample of a target waveform to determine an error amplitude, and modifying the drive signal waveform samples stored in the LUT such that an amplitude error between subsequent samples of the motional branch current and respective target samples is reduced.

In accordance with various embodiments, a surgical generator for providing a drive signal to a surgical device may comprise a first transformer and a second transformer. The first transformer may comprise a first primary winding and a first secondary winding. The second transformer may comprise a second primary winding and a second secondary winding. The surgical generator may further comprise a generator circuit to generate the drive signal. The generator circuit may be electrically coupled to the first primary winding to provide the drive signal across the first primary winding. The surgical generator may also comprise a patient-side circuit electrically isolated from the generator circuit. The patient-side circuit may be electrically coupled to the first secondary winding. Further, the patient-side circuit may comprise first and second output lines to provide the drive signal to the surgical device. In addition, the surgical generator may comprise a capacitor. The capacitor and the second secondary winding may be electrically coupled in series between the first output line and ground.

6

In accordance with various embodiments, a surgical generator for providing a drive signal to a surgical device may comprise a first transformer, a patient-side circuit, and a capacitor. The first transformer may comprise a primary winding, a first secondary winding, and a second secondary winding. A polarity of the first secondary winding relative to the primary winding may be opposite the polarity of the second secondary winding. The generator circuit may generate the drive signal and may be electrically coupled to the first primary winding to provide the drive signal across the first primary winding. The patient-side circuit may be electrically isolated from the generator circuit and may be electrically coupled to the first secondary winding. Also, the patient-side circuit may comprise first and second output lines to provide the drive signal to the surgical device. The capacitor and second secondary winding may be electrically coupled in series between the first output line and ground.

In accordance with various embodiments, a surgical generator for providing a drive signal to a surgical device may comprise a first transformer, a generator circuit, a patient-side circuit and a capacitor. The first transformer may comprise a primary winding and a secondary winding. The generator circuit may generate the drive signal and may be electrically coupled to the first primary winding to provide the drive signal across the first primary winding. The patient-side circuit may be electrically isolated from the generator circuit and may be electrically coupled to the secondary winding. Further, the patient-side circuit may comprise first and second output lines to provide the drive signal to the surgical device. The capacitor may be electrically coupled to the primary winding and to the first output line.

In accordance with various embodiments, a surgical generator for providing a drive signal to a surgical device may comprise a first transformer, a generator circuit, a patient-side circuit, as well as first, second and third capacitors. The first transformer may comprise a primary winding and a secondary winding. The generator circuit may generate the drive signal and may be electrically coupled to the first primary winding to provide the drive signal across the first primary winding. The patient-side circuit may be electrically isolated from the generator circuit and may be electrically coupled to the secondary winding. Further, the patient-side circuit may comprise first and second output lines to provide the drive signal to the surgical device. A first electrode of the first capacitor may be electrically coupled to the primary winding. A first electrode of the second capacitor may be electrically coupled to the first output line and a second electrode of the second capacitor may be electrically coupled to a second electrode of the first capacitor. A first electrode of the third capacitor may be electrically coupled to the second electrode of the first capacitor and the second electrode of the second capacitor. A second electrode of the third capacitor may be electrically coupled to ground.

In accordance with various embodiments, control circuits for surgical devices are also disclosed. In one embodiment, the control circuit may comprise a first circuit portion comprising at least one first switch. The first circuit portion may communicate with a surgical generator over a conductor pair. The control circuit may also comprise a second circuit portion comprising a data circuit element. The data circuit element may be disposed in an instrument of the surgical device and transmit or receive data. The data circuit element may implement data communications with the surgical generator over at least one conductor of the conductor pair.



In accordance with various embodiments, the control circuit may comprise a first circuit portion comprising at least one first switch. The first circuit portion may communicate with a surgical generator over a conductor pair. The control circuit may also comprise a second circuit portion comprising a data circuit element. The data circuit element may be disposed in an instrument of the surgical device and transmit or receive data. The data circuit element may implement data communications with the surgical generator over at least one conductor of the conductor pair. The first circuit portion may receive a first interrogation signal transmitted from the surgical generator in a first frequency band. The data circuit element may communicate with the surgical generator using an amplitude-modulated communication protocol transmitted in a second frequency band. The second frequency band may be higher than the first frequency band.

In accordance with various embodiments, the control circuit may comprise a first circuit portion comprising at least one first switch. The first circuit portion may receive a first interrogation signal transmitted from a surgical generator over a conductor pair. The control circuit may also comprise a second circuit portion comprising at least one of a resistive element and an inductive element disposed in an instrument of the device. The second circuit portion may receive a second interrogation signal transmitted from the surgical generator over the conductor pair. The second circuit portion may be frequency-band separated from the first circuit portion. A characteristic of the first interrogation signal, when received through the first circuit portion, may be indicative of a state of the at least one first switch. A characteristic of the second interrogation signal, when received through the second circuit portion, may uniquely identify the instrument of the device.

In accordance with various embodiments, the control circuit may comprise a first circuit portion comprising a first switch network and a second switch network. The first switch network may comprise at least one first switch, and the second switch network may comprise at least one second switch. The first circuit portion may communicate with a surgical generator over a conductor pair. The control circuit may also comprise a second circuit portion comprising a data circuit element. The data circuit element may be disposed in an instrument of the surgical device and may transmit or receive data. The data circuit element may be in data communication with the surgical generator over at least one conductor of the conductor pair.

In accordance with various embodiments, a surgical generator for providing a drive signal to a surgical device may comprise a surgical generator body having an aperture. The surgical generator may also comprise a receptacle assembly positioned in the aperture. The receptacle assembly may comprise a receptacle body and a flange having an inner wall and an outer wall. The inner wall may be comprised of at least one curved section and at least one linear section. The inner wall may define a cavity. A central protruding portion may be positioned in the cavity and may comprise a plurality of sockets and a magnet. An outer periphery of the central protruding portion may comprise at least one curved section and at least one linear section.

In accordance with various embodiments, a surgical instrument may comprise an electrical connector assembly. The electrical connector assembly may comprise a flange defining a central cavity and a magnetically compatible pin extending into the central cavity. The electrical connector assembly may comprise a circuit board and a plurality of electrically conductive pins coupled to the circuit board. Each of the plurality of electrically conductive pins may

extend into the central cavity. The electrical connector assembly may further comprise a strain relief member and a boot.

In accordance with various embodiments, a surgical instrument system may comprise a surgical generator comprising a receptacle assembly. The receptacle assembly may comprise at least one curved section and at least one linear portion. The surgical instrument system may comprise a surgical instrument comprising a connector assembly and an adapter assembly operatively coupled to the receptacle assembly and the connector assembly. The adapter assembly may comprise a distal portion contacting the receptacle assembly. The distal portion may comprise a flange with the flange having at least one curved section and at least one linear portion. The adapter assembly may comprise a proximal portion contacting the connector assembly. The proximal portion may define a cavity dimensioned to receive at least a portion of the connector assembly. The adapter assembly may further comprise a circuit board.

In accordance with various embodiments, methods may be utilized (e.g., in conjunction with surgical instruments) to accomplish various surgical objectives. For example, methods to control electrical power provided to tissue via first and second electrodes may comprise providing a drive signal to the tissue via the first and second electrodes and modulating a power provided to the tissue via the drive signal based on a sensed tissue impedance according to a first power curve. The first power curve may define, for each of a plurality of potential sensed tissue impedances, a first corresponding power. The methods may also comprise monitoring a total energy provided to the tissue via the first and second electrodes. When the total energy reaches a first energy threshold, the methods may comprise determining whether an impedance of the tissue has reached a first impedance threshold. The methods may further comprise, conditioned upon the impedance of the tissue failing to reach the first impedance threshold, modulating the power provided to the tissue via the drive signal based on the sensed tissue impedance according to a second power curve. The second power curve may define, for each of the plurality of potential sensed tissue impedances, a second corresponding power.

In accordance with various embodiments, methods for controlling electrical power provided to tissue via first and second electrodes may comprise providing a drive signal to the tissue via the first and second electrodes and determining a power to be provided to the tissue. The determining may comprise receiving an indication of a sensed tissue impedance; determining a first corresponding power for the sensed tissue impedance according to a power curve; and multiplying the corresponding power by a multiplier. The power curve may define a corresponding power for each of a plurality of potential sensed tissue impedances. The methods may further comprise modulating the drive signal to provide the determined power to the tissue and, conditioned upon the impedance of the tissue failing to reach a first impedance threshold, increasing the multiplier as a function of the total energy provided to the tissue.

In accordance with various embodiments, methods for controlling electrical power provided to tissue via first and second electrodes may comprise providing a drive signal to the tissue via the first and second electrodes and determining a power to be provided to the tissue. The determining may comprise receiving an indication of a sensed tissue impedance; determining a first corresponding power for the sensed tissue impedance according to a power curve; and multiplying the corresponding power by a first multiplier to find a determined power. The power curve may define a corre-



sponding power for each of a plurality of potential sensed tissue impedances. The methods may further comprise modulating the drive signal to provide the determined power to the tissue and monitoring a total energy provided to the tissue via the first and second electrodes. In addition, the methods may comprise, when the total energy reaches a first energy threshold, determining whether the impedance of the tissue has reached a first impedance threshold; and, conditioned upon the impedance of the tissue not reaching the first impedance threshold, increasing the first multiplier by a first amount.

In accordance with various embodiments, methods for controlling electrical power provided to tissue via a surgical device may comprise providing a drive signal to a surgical device; receiving an indication of an impedance of the tissue; calculating a rate of increase of the impedance of the tissue; and modulating the drive signal to hold the rate of increase of the impedance greater than or equal to a predetermined constant.

In accordance with various embodiments, methods for controlling electrical power provided to tissue via a surgical device may comprise providing a drive signal. A power of the drive signal may be proportional to a power provided to the tissue via the surgical device. The methods may also comprise periodically receiving indications of an impedance of the tissue and applying a first composite power curve to the tissue, wherein applying the first composite power curve to the tissue comprises. Applying the first composite power curve to the tissue may comprise modulating a first predetermined number of first composite power curve pulses on the drive signal; and for each of the first composite power curve pulses, determining a pulse power and a pulse width according to a first function of the impedance of the tissue. The methods may also comprise applying a second composite power curve to the tissue. Applying the second composite power curve to the tissue may comprise modulating at least one second composite power curve pulse on the drive signal; and for each of the at least one second composite power curve pulses, determining a pulse power and a pulse width according to a second function of the impedance of the tissue.

In accordance with various embodiments, a generator is provided to generate a drive signal to a surgical device. The generator includes an ultrasonic generator module to generate a first drive signal to drive an ultrasonic device, an electrosurgery/radio frequency (RF) generator module to generate a second drive signal to drive an electrosurgical device, and a foot switch coupled to each of the ultrasonic generator module and the electrosurgery/RF generator module. The foot switch is configured to operate in a first mode when the ultrasonic device is coupled to the ultrasonic generator module and the foot switch is configured to operate in a second mode when the electrosurgical device is coupled to the electrosurgery/RF generator module.

In accordance with various embodiments, a generator is provided that includes a user interface to provide feedback in accordance with the operation of any one of the ultrasonic device and the electrosurgical device in accordance with a predetermined algorithm.

In accordance with various embodiments, a control circuit of a surgical device is provided. The control circuit comprises a first circuit portion coupled to at least one switch operable between an open state and a closed state. The first circuit portion communicates with a surgical generator over a conductor pair to receive a control signal to determine a state of the at least one switch.

In accordance with various embodiments, a control circuit of a surgical device is provided. The control circuit comprises a first circuit portion coupled to at least one switch operable between an open state and a closed state. The first circuit portion communicates with a surgical generator over a conductor pair to receive a control signal from input terminals to determine a state of the at least one switch. The control signal having a positive phase and a negative phase. A first transistor is coupled between the input terminals, a first capacitor, and a first resistor is coupled in series with the first capacitor. During the positive phase of the control signal the first transistor is held in cutoff mode while the first capacitor charges to a predetermined voltage and during an initial portion of the negative phase of the control signal the first transistor transitions from cutoff mode to saturation mode and is held in saturation mode until the first capacitor discharges through the first resistor. During a final portion of the negative phase of the control signal the first transistor transitions from saturation mode to cutoff mode when the first capacitor voltage drops below a predetermined threshold.

In accordance with various embodiments, a method is provided. The method comprises receiving a control signal at a control circuit of a surgical device and determining the state of the at least one switch based on the value of the resistor. The control circuit comprising a first circuit portion coupled to at least one switch operable between an open state and a closed state. The circuit portion to communicate with a surgical generator over a conductor pair to receive the control signal. The first circuit portion comprising at least one resistor coupled to the at least one switch.

## FIGURES

The novel features of the various embodiments are set forth with particularity in the appended claims. The described embodiments, however, both as to organization and methods of operation, may be best understood by reference to the following description, taken in conjunction with the accompanying drawings in which:

FIG. 1 illustrates one embodiment of a surgical system comprising a generator and various surgical instruments usable therewith;

FIG. 2 illustrates one embodiment of an example ultrasonic device that may be used for transection and/or sealing;

FIG. 3 illustrates one embodiment of the end effector of the example ultrasonic device of FIG. 2.

FIG. 4 illustrates one embodiment of an example electrosurgical device that may also be used for transection and sealing;

FIGS. 5, 6 and 7 illustrate one embodiment of the end effector shown in FIG. 4;

FIG. 8 is a diagram of the surgical system of FIG. 1;

FIG. 9 is a model illustrating motional branch current in one embodiment;

FIG. 10 is a structural view of a generator architecture in one embodiment;

FIGS. 11A-11C are functional views of a generator architecture in one embodiment;

FIG. 12 illustrates a controller for monitoring input devices and controlling output devices in one embodiment;

FIGS. 13A-13B illustrate structural and functional aspects of one embodiment of the generator;

FIGS. 14-32 and 33A-33C illustrate embodiments of control circuits;



## 11

FIG. 33D-33I illustrate embodiments of cabling and adaptor configurations for connecting various generators and various surgical instruments;

FIG. 34 illustrates one embodiment of a circuit 300 for active cancellation of leakage current.

FIG. 35 illustrates one embodiment of a circuit that may be implemented by the generator of FIG. 1 to provide active cancellation of leakage current;

FIG. 36 illustrates an alternative embodiment of a circuit that may be implemented by the generator of FIG. 1 to provide active cancellation of leakage current;

FIG. 37 illustrates an alternative embodiment of a circuit that may be implemented by the generator of FIG. 1 to provide active cancellation of leakage current;

FIG. 38 illustrates yet another embodiment of a circuit that may be implemented by the generator of FIG. 1 to provide active cancellation of leakage current;

FIG. 39 illustrates an embodiment of a circuit that may be implemented by the generator of FIG. 1 to provide cancellation of leakage current;

FIG. 40 illustrates another embodiment of a circuit that may be implemented by the generator of FIG. 1 to provide cancellation of leakage current;

FIG. 41 illustrates a receptacle and connector interface in one embodiment;

FIG. 42 is an exploded side view of the receptacle assembly in one embodiment;

FIG. 43 is an exploded side view of the connector assembly in one embodiment;

FIG. 44 is a perspective view of the receptacle assembly shown in FIG. 41;

FIG. 45 is a exploded perspective view of the receptacle assembly in one embodiment;

FIG. 46 is a front elevation view of the receptacle assembly in one embodiment;

FIG. 47 is a side elevation view of the receptacle assembly in one embodiment;

FIG. 48 is an enlarged view of a socket in one embodiment;

FIG. 49 is a perspective view of the connector assembly in one embodiment;

FIG. 50 is an exploded perspective view of the connector assembly in one embodiment;

FIG. 51 is a side elevation view of a connector body in one embodiment;

FIG. 52 is perspective view of the distal end of a connector body in one embodiment;

FIG. 53 is perspective view of the proximal end of a connector body in one embodiment;

FIG. 54 illustrates a ferrous pin in one embodiment;

FIG. 55 illustrates electrically conductive pins and a circuit board in one embodiment;

FIG. 56 illustrates a strain relief member in one embodiment;

FIG. 57 illustrates a boot in one embodiment;

FIG. 58 illustrates two adaptor assemblies in accordance with various non-limiting embodiments;

FIG. 59 illustrates a surgical generator in one embodiment;

FIG. 60 illustrates a connector assembly connected to an adaptor assembly in one embodiment;

FIG. 61 illustrates an adaptor assembly inserted into a receptacle assembly of a surgical generator in one embodiment;

FIG. 62 illustrates a connector assembly connected to an adaptor assembly in one embodiment;

## 12

FIG. 63 illustrates a perspective view of a back panel of a generator in one embodiment;

FIG. 64 illustrates a back panel of a generator in one embodiment;

FIGS. 65 and 66 illustrate different portions of a back panel of a generator in one embodiment;

FIG. 67 illustrates a neural network for controlling a generator in one embodiment;

FIG. 68 illustrates measured temperature versus estimated temperature output by a surgical instrument controlled by a generator in one embodiment;

FIG. 69 illustrates one embodiment of a chart showing example power curves;

FIG. 70 illustrates one embodiment of a process flow for applying one or more power curves to a tissue bite;

FIG. 71 illustrates one embodiment of a chart showing example power curves that may be used in conjunction with the process flow of FIG. 70;

FIG. 72 illustrates one embodiment of a chart showing example common shape power curves that may be used in conjunction with the process flow of FIG. 70;

FIG. 73A illustrates one embodiment of a routine that may be performed by a digital device of the generator of FIG. 1 to act upon a new tissue bite;

FIG. 73B illustrates one embodiment of a routine that may be performed by a digital device of the generator of FIG. 1 to monitor tissue impedance;

FIG. 73C illustrates one embodiment of a routine that may be performed by a digital device of the generator of FIG. 1 to provide one or more power curves to a tissue bite;

FIG. 74 illustrates one embodiment of a process flow for applying one or more power curves to a tissue bite;

FIG. 75 illustrates one embodiment of a block diagram describing the selection and application of composite load curves by the generator of FIG. 1;

FIG. 76 illustrates shows a process flow illustrating one embodiment of the algorithm of FIG. 75, as implemented by the generator of FIG. 1;

FIG. 77 illustrates one embodiment of a process flow for generating a first composite load curve pulse;

FIG. 78 illustrates one embodiment of a pulse timing diagram illustrating an example application of the algorithm of FIG. 76 by the generator of FIG. 1;

FIG. 79 illustrates a graphical representation of drive signal voltage, current and power according to an example composite load curve;

FIGS. 80-85 illustrate a graphical representations of example composite load curves;

FIG. 86 illustrates one embodiment of a block diagram describing the application of an algorithm for maintaining a constant tissue impedance rate of change

FIG. 87 illustrates one embodiment of a control circuit comprising parallel switched resistance circuit with high speed data communication support and at least one data element comprising at least one memory device.

FIG. 88 is a graphical representation of one aspect of a control signal in the form of a constant current pulse waveform that may be generated by the signal conditioning circuit of the generator as shown in FIG. 10.

FIG. 88A is a graphical representation of one aspect of a control signal in the form of the constant current pulse waveform of FIG. 88 showing numerical values of various features of the waveform according to one example embodiment.

FIG. 89 is a graphical representation of various detection regions associated with the aspect of the control signal shown in FIG. 88.



FIG. 90 is a graphical representation of one aspect of a control signal in the form of a current pulse waveform measured at the generator with SW1 closed and a zero ohm cable/connector impedance.

FIG. 90A is a graphical representation of one aspect of a control signal in the form of the current pulse waveform of FIG. 90 showing numerical values of various features of the waveform according to one example embodiment.

FIG. 91 is an oscilloscope trace of an actual measured analog-to-digital (ADC) input waveform using a generator and a control circuit.

FIG. 92 illustrates another embodiment of a control circuit comprising parallel switched resistance circuit and at least one data element comprising at least one memory device memory device.

FIG. 93 illustrates one embodiment of a control circuit comprising a serial switched resistance circuit and at least one data element comprising at least one memory device.

FIG. 94 illustrates one embodiment of a control circuit comprising a serial switched resistance circuit with a precision voltage reference and at least one data element comprising at least one memory device.

FIG. 95 illustrates one embodiment of a control circuit comprising a variable frequency switched resistance circuit and at least one data element comprising at least one memory device.

FIG. 96, is a graphical representation of one embodiment of a detection method showing detection regions for the control circuit comprising a variable frequency switched resistance circuit and a memory device, as described in connection with FIG. 95.

FIG. 97 illustrates one embodiment of a control circuit comprising a parallel switched resistance circuit with a precision voltage reference and at least one data element comprising at least one memory device employing a variable slope waveform to determine switch states.

FIG. 98 is a graphical representation of one embodiment of a detection method showing detection regions for the control circuit comprising a variable ramp/slope switched resistance circuit and a memory device, as described in connection with FIG. 97.

FIG. 99 illustrates one embodiment of a control circuit comprising a one-wire multi-switch input device.

#### DESCRIPTION

Before explaining various embodiments of surgical devices and generators in detail, it should be noted that the illustrative embodiments are not limited in application or use to the details of construction and arrangement of parts illustrated in the accompanying drawings and description. The illustrative embodiments may be implemented or incorporated in other embodiments, variations and modifications, and may be practiced or carried out in various ways. Further, unless otherwise indicated, the terms and expressions employed herein have been chosen for the purpose of describing the illustrative embodiments for the convenience of the reader and are not for the purpose of limitation thereof. Also, it will be appreciated that one or more of the following-described embodiments, expressions of embodiments and/or examples, can be combined with any one or more of the other following-described embodiments, expressions of embodiments and/or examples.

Various embodiments are directed to improved ultrasonic surgical devices, electrosurgical devices and generators for use therewith. Embodiments of the ultrasonic surgical devices can be configured for transecting and/or coagulating

tissue during surgical procedures, for example. Embodiments of the electrosurgical devices can be configured for transecting, coagulating, scaling, welding and/or desiccating tissue during surgical procedures, for example.

Embodiments of the generator utilize high-speed analog-to-digital sampling (e.g., approximately 200× oversampling, depending on frequency) of the generator drive signal current and voltage, along with digital signal processing, to provide a number of advantages and benefits over known generator architectures. In one embodiment, for example, based on current and voltage feedback data, a value of the ultrasonic transducer static capacitance, and a value of the drive signal frequency, the generator may determine the motional branch current of an ultrasonic transducer. This provides the benefit of a virtually tuned system, and simulates the presence of a system that is tuned or resonant with any value of the static capacitance (e.g.,  $C_0$  in FIG. 9) at any frequency. Accordingly, control of the motional branch current may be realized by tuning out the effects of the static capacitance without the need for a tuning inductor. Additionally, the elimination of the tuning inductor may not degrade the generator's frequency lock capabilities, as frequency lock can be realized by suitably processing the current and voltage feedback data.

High-speed analog-to-digital sampling of the generator drive signal current and voltage, along with digital signal processing, may also enable precise digital filtering of the samples. For example, embodiments of the generator may utilize a low-pass digital filter (e.g., a finite impulse response (FIR) filter) that rolls off between a fundamental drive signal frequency and a second-order harmonic to reduce the asymmetrical harmonic distortion and EMI-induced noise in current and voltage feedback samples. The filtered current and voltage feedback samples represent substantially the fundamental drive signal frequency, thus enabling a more accurate impedance phase measurement with respect to the fundamental drive signal frequency and an improvement in the generator's ability to maintain resonant frequency lock. The accuracy of the impedance phase measurement may be further enhanced by averaging falling edge and rising edge phase measurements, and by regulating the measured impedance phase to  $0^\circ$ .

Various embodiments of the generator may also utilize the high-speed analog-to-digital sampling of the generator drive signal current and voltage, along with digital signal processing, to determine real power consumption and other quantities with a high degree of precision. This may allow the generator to implement a number of useful algorithms, such as, for example, controlling the amount of power delivered to tissue as the impedance of the tissue changes and controlling the power delivery to maintain a constant rate of tissue impedance increase.

Various embodiments of the generator may have a wide frequency range and increased output power necessary to drive both ultrasonic surgical devices and electrosurgical devices. The lower voltage, higher current demand of electrosurgical devices may be met by a dedicated tap on a wideband power transformer, thereby eliminating the need for a separate power amplifier and output transformer. Moreover, sensing and feedback circuits of the generator may support a large dynamic range that addresses the needs of both ultrasonic and electrosurgical applications with minimal distortion.

Various embodiments may provide a simple, economical means for the generator to read from, and optionally write to, data circuit (e.g., a single-wire bus device, such as a one-wire protocol EEPROM known under the trade name



15

“1-Wire”) disposed in an instrument attached to the handpiece using existing multi-conductor generator/handpiece cables. In this way, the generator is able to retrieve and process instrument-specific data from an instrument attached to the handpiece. This may enable the generator to provide better control and improved diagnostics and error detection. Additionally, the ability of the generator to write data to the instrument makes possible new functionality in terms of, for example, tracking instrument usage and capturing operational data. Moreover, the use of frequency band permits the backward compatibility of instruments containing a bus device with existing generators.

Disclosed embodiments of the generator provide active cancellation of leakage current caused by unintended capacitive coupling between non-isolated and patient-isolated circuits of the generator. In addition to reducing patient risk, the reduction of leakage current may also lessen electromagnetic emissions.

These and other benefits of embodiments of the present invention will be apparent from the description to follow.

It will be appreciated that the terms “proximal” and “distal” are used herein with reference to a clinician gripping a handpiece. Thus, an end effector is distal with respect to the more proximal handpiece. It will be further appreciated that, for convenience and clarity, spatial terms such as “top” and “bottom” may also be used herein with respect to the clinician gripping the handpiece. However, surgical devices are used in many orientations and positions, and these terms are not intended to be limiting and absolute.

FIG. 1 illustrates one embodiment of a surgical system comprising a generator 102 configurable for use with surgical devices. According to various embodiments, the generator 102 may be configurable for use with surgical devices of different types, including, for example, the ultrasonic surgical device 104 and electrosurgical or RF surgical device 106. Although in the embodiment of FIG. 1 the generator 102 is shown separate from the surgical devices 104, 106, in certain embodiments the generator 102 may be formed integrally with either of the surgical devices 104, 106 to form a unitary surgical system.

FIG. 2 illustrates one embodiment of an example ultrasonic device 104 that may be used for transection and/or sealing. The device 104 may comprise a hand piece 116 which may, in turn, comprise an ultrasonic transducer 114. The transducer 114 may be in electrical communication with the generator 102, for example, via a cable 122 (e.g., a multi-conductor cable). The transducer 114 may comprise piezoceramic elements, or other elements or components suitable for converting the electrical energy of a drive signal into mechanical vibrations. When activated by the generator 102, the ultrasonic transducer 114 may cause longitudinal vibration. The vibration may be transmitted through an instrument portion 124 of the device 104 (e.g., via a waveguide embedded in an outer sheath) to an end effector 126 of the instrument portion 124.

FIG. 3 illustrates one embodiment of the end effector 126 of the example ultrasonic device 104. The end effector 126 may comprise a blade 151 that may be coupled to the ultrasonic transducer 114 via the wave guide (not shown). When driven by the transducer 114, the blade 151 may vibrate and, when brought into contact with tissue, may cut and/or coagulate the tissue, as described herein. According to various embodiments, and as illustrated in FIG. 3, the end effector 126 may also comprise a clamp arm 155 that may be configured for cooperative action with the blade 151 of the end effector 126. With the blade 151, the clamp arm 155 may comprise a set of jaws 140. The clamp arm 155 may be

16

pivotaly connected at a distal end of a shaft 153 of the instrument portion 124. The clamp arm 155 may include a clamp arm tissue pad 163, which may be formed from TEFLON® or other suitable low-friction material. The pad 163 may be mounted for cooperation with the blade 151, with pivotal movement of the clamp arm 155 positioning the clamp pad 163 in substantially parallel relationship to, and in contact with, the blade 151. By this construction, a tissue bite to be clamped may be grasped between the tissue pad 163 and the blade 151. The tissue pad 163 may be provided with a saw-tooth-like configuration including a plurality of axially spaced, proximally extending gripping teeth 161 to enhance the gripping of tissue in cooperation with the blade 151. The clamp arm 155 may transition from the open position shown in FIG. 3 to a closed position (with the clamp arm 155 in contact with or proximity to the blade 151) in any suitable manner. For example, the hand piece 116 may comprise a jaw closure trigger 138. When actuated by a clinician, the jaw closure trigger 138 may pivot the clamp arm 155 in any suitable manner.

The generator 102 may be activated to provide the drive signal to the transducer 114 in any suitable manner. For example, the generator 102 may comprise a foot switch 120 coupled to the generator 102 via a footswitch cable 122 (FIG. 8). A clinician may activate the transducer 114, and thereby the transducer 114 and blade 151, by depressing the foot switch 120. In addition, or instead of the foot switch 120 some embodiments of the device 104 may utilize one or more switches positioned on the hand piece 116 that, when activated, may cause the generator 102 to activate the transducer 114. In one embodiment, for example, the one or more switches may comprise a pair of toggle buttons 136a, 136b, for example, to determine an operating mode of the device 104. When the toggle button 136a is depressed, for example, the ultrasonic generator 102 may provide a maximum drive signal to the transducer 114, causing it to produce maximum ultrasonic energy output. Depressing toggle button 136b may cause the ultrasonic generator 102 to provide a user-selectable drive signal to the transducer 114, causing it to produce less than the maximum ultrasonic energy output. The device 104 additionally or alternatively may comprise a second switch to, for example, indicate a position of a jaw closure trigger 138 for operating jaws 140 of the end effector 126. Also, in some embodiments, the ultrasonic generator 102 may be activated based on the position of the jaw closure trigger 138, (e.g., as the clinician depresses the jaw closure trigger 138 to close the jaws 140, ultrasonic energy may be applied.

Additionally or alternatively, the one or more switches may comprises a toggle button 136c that, when depressed, causes the generator 102 to provide a pulsed output. The pulses may be provided at any suitable frequency and grouping, for example. In certain embodiments, the power level of the pulses may be the power levels associated with toggle buttons 136a, b (maximum, less than maximum), for example.

It will be appreciated that a device 104 may comprise any combination of the toggle buttons 136a, b, c. For example, the device 104 could be configured to have only two toggle buttons: a toggle button 136a for producing maximum ultrasonic energy output and a toggle button 136c for producing a pulsed output at either the maximum or less than maximum power level per. In this way, the drive signal output configuration of the generator 102 could be 5 continuous signals and 5 or 4 or 3 or 2 or 1 pulsed signals. In certain embodiments, the specific drive signal configuration



may be controlled based upon, for example, EEPROM settings in the generator 102 and/or user power level selection(s).

In certain embodiments, a two-position switch may be provided as an alternative to a toggle button 136c. For example, a device 104 may include a toggle button 136a for producing a continuous output at a maximum power level and a two-position toggle button 136b. In a first detented position, toggle button 136b may produce a continuous output at a less than maximum power level, and in a second detented position the toggle button 136b may produce a pulsed output (e.g., at either a maximum or less than maximum power level, depending upon the EEPROM settings).

In some embodiments, the end effector 126 may also comprise a pair of electrodes 159, 157. The electrodes 159, 157 may be in communication with the generator 102, for example, via the cable 122. The electrodes 159, 157 may be used, for example, to measure an impedance of a tissue bite present between the clamp arm 155 and the blade 151. The generator 102 may provide a signal (e.g., a non-therapeutic signal) to the electrodes 159, 157. The impedance of the tissue bite may be found, for example, by monitoring the current, voltage, etc. of the signal.

FIG. 4 illustrates one embodiment of an example electrosurgical device 106 that may also be used for transection and sealing. According to various embodiments, the transection and sealing device 106 may comprise a hand piece assembly 130, a shaft 165 and an end effector 132. The shaft 165 may be rigid (e.g., for laparoscopic and/or open surgical application) or flexible, as shown, (e.g., for endoscopic application). In various embodiments, the shaft 165 may comprise one or more articulation points. The end effector 132 may comprise jaws 144 having a first jaw member 167 and a second jaw member 169. The first jaw member 167 and second jaw member 169 may be connected to a clevis 171, which, in turn, may be coupled to the shaft 165. A translating member 173 may extend within the shaft 165 from the end effector 132 to the hand piece 130. At the hand piece 130, the shaft 165 may be directly or indirectly coupled to a jaw closure trigger 142 (FIG. 4).

The jaw members 167, 169 of the end effector 132 may comprise respective electrodes 177, 179. The electrodes 177, 179 may be connected to the generator 102 via electrical leads 187a, 187b (FIG. 5) extending from the end effector 132 through the shaft 165 and handpiece 130 and ultimately to the generator 102 (e.g., by a multiconductor cable 128). The generator 102 may provide a drive signal to the electrodes 177, 179 to bring about a therapeutic effect to tissue present within the jaw members 167, 169. The electrodes 177, 179 may comprise an active electrode and a return electrode, wherein the active electrode and the return electrode can be positioned against, or adjacent to, the tissue to be treated such that current can flow from the active electrode to the return electrode through the tissue. As illustrated in FIG. 4, the end effector 132 is shown with the jaw members 167, 169 in an open position. A reciprocating blade 175 is illustrated between the jaw members 167, 169.

FIGS. 5, 6 and 7 illustrate one embodiment of the end effector 132 shown in FIG. 4. To close the jaws 144 of the end effector 132, a clinician may cause the jaw closure trigger 142 to pivot along arrow 183 from a first position to a second position. This may cause the jaws 144 to open and close according to any suitable method. For example, motion of the jaw closure trigger 142 may, in turn, cause the translating member 173 to translate within a bore 185 of the shaft 165. A distal portion of the translating member 173

may be coupled to a reciprocating member 197 such that distal and proximal motion of the translating member 173 causes corresponding distal and proximal motion of the reciprocating member. The reciprocating member 197 may have shoulder portions 191a, 191b, while the jaw members 167, 169 may have corresponding cam surfaces 189a, 189b. As the reciprocating member 197 is translated distally from the position shown in FIG. 6 to the position shown in FIG. 7, the shoulder portions 191a, 191b may contact the cam surfaces 189a, 189b, causing the jaw members 167, 169 to transition to the closed position. Also, in various embodiments, the blade 175 may be positioned at a distal end of the reciprocating member 197. As the reciprocating member extends to the fully distal position shown in FIG. 7, the blade 175 may be pushed through any tissue present between the jaw members 167, 169, in the process, severing it. In use, a clinician may place the end effector 132 and close the jaws 144 around a tissue bite to be acted upon, for example, by pivoting the jaw closure trigger 142 along arrow 183 as described. Once the tissue bite is secure between the jaws 144, the clinician may initiate the provision of RF or other electro-surgical energy by the generator 102 and through the electrodes 177, 179. The provision of RF energy may be accomplished in any suitable way. For example, the clinician may activate the foot switch 120 (FIG. 8) of the generator 102 to initiate the provision of RF energy. Also, for example, the hand piece 130 may comprise one or more switches 181 that may be actuated by the clinician to cause the generator 102 to begin providing RF energy. Additionally, in some embodiments, RF energy may be provided based on the position of the jaw closure trigger 142. For example, when the trigger 142 is fully depressed (indicating that the jaws 144 are closed), RF energy may be provided. Also, according to various embodiments, the blade 175 may be advanced during closure of the jaws 144 or may be separately advanced by the clinician after closure of the jaws 144 (e.g., after a RF energy has been applied to the tissue).

FIG. 8 is a diagram of the surgical system 100 of FIG. 1. In various embodiments, the generator 102 may comprise several separate functional elements, such as modules and/or blocks. Different functional elements or modules may be configured for driving the different kinds of surgical devices 104, 106. For example an ultrasonic generator module 108 may drive an ultrasonic device, such as the ultrasonic device 104. An electrosurgery/RF generator module 110 may drive the electrosurgical device 106. For example, the respective modules 108, 110 may generate respective drive signals for driving the surgical devices 104, 106. In various embodiments, the ultrasonic generator module 108 and/or the electrosurgery/RF generator module 110 each may be formed integrally with the generator 102. Alternatively, one or more of the modules 108, 110 may be provided as a separate circuit module electrically coupled to the generator 102. (The modules 108 and 110 are shown in phantom to illustrate this option.) Also, in some embodiments, the electrosurgery/RF generator module 110 may be formed integrally with the ultrasonic generator module 108, or vice versa.

In accordance with the described embodiments, the ultrasonic generator module 108 may produce a drive signal or signals of particular voltages, currents, and frequencies, e.g. 55,500 cycles per second (Hz). The drive signal or signals may be provided to the ultrasonic device 104, and specifically to the transducer 114, which may operate, for example, as described above. In one embodiment, the generator 102 may be configured to produce a drive signal of a particular



voltage, current, and/or frequency output signal that can be stepped with high resolution, accuracy, and repeatability.

In accordance with the described embodiments, the electrosurgery/RF generator module **110** may generate a drive signal or signals with output power sufficient to perform bipolar electrosurgery using radio frequency (RF) energy. In bipolar electrosurgery applications. The drive signal may be provided, for example, to the electrodes **177**, **179** of the electrosurgical device **106**, for example, as described above. Accordingly, the generator **102** may be configured for therapeutic purposes by applying electrical energy to the tissue sufficient for treating the tissue (e.g., coagulation, cauterization, tissue welding, etc.).

The generator **102** may comprise an input device **145** (FIG. 1) located, for example, on a front panel of the generator **102** console. The input device **145** may comprise any suitable device that generates signals suitable for programming the operation of the generator **102**. In operation, the user can program or otherwise control operation of the generator **102** using the input device **145**. The input device **145** may comprise any suitable device that generates signals that can be used by the generator (e.g., by one or more processors contained in the generator) to control the operation of the generator **102** (e.g., operation of the ultrasonic generator module **108** and/or electrosurgery/RF generator module **110**). In various embodiments, the input device **145** includes one or more of buttons, switches, thumbwheels, keyboard, keypad, touch screen monitor, pointing device, remote connection to a general purpose or dedicated computer. In other embodiments, the input device **145** may comprise a suitable user interface, such as one or more user interface screens displayed on a touch screen monitor, for example. Accordingly, by way of the input device **145**, the user can set or program various operating parameters of the generator, such as, for example, current (I), voltage (V), frequency (f), and/or period (T) of a drive signal or signals generated by the ultrasonic generator module **108** and/or electrosurgery/RF generator module **110**.

The generator **102** may also comprise an output device **147** (FIG. 1) located, for example, on a front panel of the generator **102** console. The output device **147** includes one or more devices for providing a sensory feedback to a user. Such devices may comprise, for example, visual feedback devices (e.g., an LCD display screen, LED indicators), audio feedback devices (e.g., a speaker, a buzzer) or tactile feedback devices (e.g., haptic actuators).

Although certain modules and/or blocks of the generator **102** may be described by way of example, it can be appreciated that a greater or lesser number of modules and/or blocks may be used and still fall within the scope of the embodiments. Further, although various embodiments may be described in terms of modules and/or blocks to facilitate description, such modules and/or blocks may be implemented by one or more hardware components, e.g., processors, Digital Signal Processors (DSPs), Programmable Logic Devices (PLDs), Application Specific Integrated Circuits (ASICs), circuits, registers and/or software components, e.g., programs, subroutines, logic and/or combinations of hardware and software components.

In one embodiment, the ultrasonic generator drive module **108** and electrosurgery/RF drive module **110** may comprise one or more embedded applications implemented as firmware, software, hardware, or any combination thereof. The modules **108**, **110** may comprise various executable modules such as software, programs, data, drivers, application program interfaces (APIs), and so forth. The firmware may be stored in nonvolatile memory (NVM), such as in bit-masked

read-only memory (ROM) or flash memory. In various implementations, storing the firmware in ROM may preserve flash memory. The NVM may comprise other types of memory including, for example, programmable ROM (PROM), erasable programmable ROM (EPROM), electrically erasable programmable ROM (EEPROM), or battery backed random-access memory (RAM) such as dynamic RAM (DRAM), Double-Data-Rate DRAM (DDRAM), and/or synchronous DRAM (SDRAM).

In one embodiment, the modules **108**, **110** comprise a hardware component implemented as a processor for executing program instructions for monitoring various measurable characteristics of the devices **104**, **106** and generating a corresponding output drive signal or signals for operating the devices **104**, **106**. In embodiments in which the generator **102** is used in conjunction with the device **104**, the drive signal may drive the ultrasonic transducer **114** in cutting and/or coagulation operating modes. Electrical characteristics of the device **104** and/or tissue may be measured and used to control operational aspects of the generator **102** and/or provided as feedback to the user. In embodiments in which the generator **102** is used in conjunction with the device **106**, the drive signal may supply electrical energy (e.g., RF energy) to the end effector **132** in cutting, coagulation and/or desiccation modes. Electrical characteristics of the device **106** and/or tissue may be measured and used to control operational aspects of the generator **102** and/or provided as feedback to the user. In various embodiments, as previously discussed, the hardware components may be implemented as DSP, PLD, ASIC, circuits, and/or registers. In one embodiment, the processor may be configured to store and execute computer software program instructions to generate the step function output signals for driving various components of the devices **104**, **106**, such as the ultrasonic transducer **114** and the end effectors **126**, **132**.

FIG. 9 illustrates an equivalent circuit **150** of an ultrasonic transducer, such as the ultrasonic transducer **114**, according to one embodiment. The circuit **150** comprises a first "motional" branch having a serially connected inductance  $L_s$ , resistance  $R_s$  and capacitance  $C_s$  that define the electromechanical properties of the resonator, and a second capacitive branch having a static capacitance  $C_0$ . Drive current  $I_g$  may be received from a generator at a drive voltage  $V_g$ , with motional current  $I_m$  flowing through the first branch and current  $I_g - I_m$  flowing through the capacitive branch. Control of the electromechanical properties of the ultrasonic transducer may be achieved by suitably controlling  $I_g$  and  $V_g$ . As explained above, known generator architectures may include a tuning inductor  $L_t$  (shown in phantom in FIG. 9) for tuning out in a parallel resonance circuit the static capacitance  $C_0$  at a resonant frequency so that substantially all of generator's current output  $I_g$  flows through the motional branch. In this way, control of the motional branch current  $I_m$  is achieved by controlling the generator current output  $I_g$ . The tuning inductor  $L_t$  is specific to the static capacitance  $C_0$  of an ultrasonic transducer, however, and a different ultrasonic transducer having a different static capacitance requires a different tuning inductor  $L_t$ . Moreover, because the tuning inductor  $L_t$  is matched to the nominal value of the static capacitance  $C_0$  at a single resonant frequency, accurate control of the motional branch current  $I_m$  is assured only at that frequency, and as frequency shifts down with transducer temperature, accurate control of the motional branch current is compromised.

Various embodiments of the generator **102** may not rely on a tuning inductor  $L_t$  to monitor the motional branch current  $I_m$ . Instead, the generator **102** may use the measured



value of the static capacitance  $C_o$  in between applications of power for a specific ultrasonic surgical device **104** (along with drive signal voltage and current feedback data) to determine values of the motional branch current  $I_m$  on a dynamic and ongoing basis (e.g., in real-time). Such embodiments of the generator **102** are therefore able to provide virtual tuning to simulate a system that is tuned or resonant with any value of static capacitance  $C_o$  at any frequency, and not just at a single resonant frequency dictated by a nominal value of the static capacitance  $C_o$ .

FIG. **10** is a simplified block diagram of one embodiment of the generator **102** for providing inductorless tuning as described above, among other benefits. FIGS. **11A-11C** illustrate an architecture of the generator **102** of FIG. **10** according to one embodiment. With reference to FIG. **10**, the generator **102** may comprise a patient isolated stage **152** in communication with a non-isolated stage **154** via a power transformer **156**. A secondary winding **158** of the power transformer **156** is contained in the isolated stage **152** and may comprise a tapped configuration (e.g., a center-tapped or non-center tapped configuration) to define drive signal outputs **160a**, **160b**, **160c** for outputting drive signals to different surgical devices, such as, for example, an ultrasonic surgical device **104** and an electrosurgical device **106**. In particular, drive signal outputs **160a**, **160c** may output a drive signal (e.g., a 420V RMS drive signal) to an ultrasonic surgical device **104**, and drive signal outputs **160b**, **160c** may output a drive signal (e.g., a 100V RMS drive signal) to an electrosurgical device **106**, with output **160b** corresponding to the center tap of the power transformer **156**. The non-isolated stage **154** may comprise a power amplifier **162** having an output connected to a primary winding **164** of the power transformer **156**. In certain embodiments the power amplifier **162** may comprise a push-pull amplifier, for example. The non-isolated stage **154** may further comprise a programmable logic device **166** for supplying a digital output to a digital-to-analog converter (DAC) **168**, which in turn supplies a corresponding analog signal to an input of the power amplifier **162**. In certain embodiments the programmable logic device **166** may comprise a field-programmable gate array (FPGA), for example. The programmable logic device **166**, by virtue of controlling the power amplifier's **162** input via the DAC **168**, may therefore control any of a number of parameters (e.g., frequency, waveform shape, waveform amplitude) of drive signals appearing at the drive signal outputs **160a**, **160b**, **160c**. In certain embodiments and as discussed below, the programmable logic device **166**, in conjunction with a processor (e.g., processor **174** discussed below), may implement a number of digital signal processing (DSP)-based and/or other control algorithms to control parameters of the drive signals output by the generator **102**.

Power may be supplied to a power rail of the power amplifier **162** by a switch-mode regulator **170**. In certain embodiments the switch-mode regulator **170** may comprise an adjustable buck regulator, for example. The non-isolated stage **154** may further comprise a processor **174**, which in one embodiment may comprise a DSP processor such as an Analog Devices ADSP-21469 SHARC DSP, available from Analog Devices, Norwood, Mass., for example. In certain embodiments the processor **174** may control operation of the switch-mode power converter **170** responsive to voltage feedback data received from the power amplifier **162** by the processor **174** via an analog-to-digital converter (ADC) **176**. In one embodiment, for example, the processor **174** may receive as input, via the ADC **176**, the waveform envelope of a signal (e.g., an RF signal) being amplified by the power amplifier **162**. The processor **174** may then control the

switch-mode regulator **170** (e.g., via a pulse-width modulated (PWM) output) such that the rail voltage supplied to the power amplifier **162** tracks the waveform envelope of the amplified signal. By dynamically modulating the rail voltage of the power amplifier **162** based on the waveform envelope, the efficiency of the power amplifier **162** may be significantly improved relative to a fixed rail voltage amplifier schemes.

In certain embodiments and as discussed in further detail in connection with FIGS. **13A-13B**, the programmable logic device **166**, in conjunction with the processor **174**, may implement a direct digital synthesizer (DDS) control scheme to control the waveform shape, frequency and/or amplitude of drive signals output by the generator **102**. In one embodiment, for example, the programmable logic device **166** may implement a DDS control algorithm **268** by recalling waveform samples stored in a dynamically-updated look-up table (LUT), such as a RAM LUT which may be embedded in an FPGA. This control algorithm is particularly useful for ultrasonic applications in which an ultrasonic transducer, such as the ultrasonic transducer **114**, may be driven by a clean sinusoidal current at its resonant frequency. Because other frequencies may excite parasitic resonances, minimizing or reducing the total distortion of the motional branch current may correspondingly minimize or reduce undesirable resonance effects. Because the waveform shape of a drive signal output by the generator **102** is impacted by various sources of distortion present in the output drive circuit (e.g., the power transformer **156**, the power amplifier **162**), voltage and current feedback data based on the drive signal may be input into an algorithm, such as an error control algorithm implemented by the processor **174**, which compensates for distortion by suitably pre-distorting or modifying the waveform samples stored in the LUT on a dynamic, ongoing basis (e.g., in real-time). In one embodiment, the amount or degree of pre-distortion applied to the LUT samples may be based on the error between a computed motional branch current and a desired current waveform shape, with the error being determined on a sample-by-sample basis. In this way, the pre-distorted LUT samples, when processed through the drive circuit, may result in a motional branch drive signal having the desired waveform shape (e.g., sinusoidal) for optimally driving the ultrasonic transducer. In such embodiments, the LUT waveform samples will therefore not represent the desired waveform shape of the drive signal, but rather the waveform shape that is required to ultimately produce the desired waveform shape of the motional branch drive signal when distortion effects are taken into account.

The non-isolated stage **154** may further comprise an ADC **178** and an ADC **180** coupled to the output of the power transformer **156** via respective isolation transformers **182**, **184** for respectively sampling the voltage and current of drive signals output by the generator **102**. In certain embodiments, the ADCs **178**, **180** may be configured to sample at high speeds (e.g., 80 Msps) to enable oversampling of the drive signals. In one embodiment, for example, the sampling speed of the ADCs **178**, **180** may enable approximately 200× (depending on drive frequency) oversampling of the drive signals. In certain embodiments, the sampling operations of the ADCs **178**, **180** may be performed by a single ADC receiving input voltage and current signals via a two-way multiplexer. The use of high-speed sampling in embodiments of the generator **102** may enable, among other things, calculation of the complex current flowing through the motional branch (which may be used in certain embodiments to implement DDS-based waveform shape control



described above), accurate digital filtering of the sampled signals, and calculation of real power consumption with a high degree of precision. Voltage and current feedback data output by the ADCs **178**, **180** may be received and processed (e.g., FIFO buffering, multiplexing) by the programmable logic device **166** and stored in data memory for subsequent retrieval by, for example, the processor **174**. As noted above, voltage and current feedback data may be used as input to an algorithm for pre-distorting or modifying LUT waveform samples on a dynamic and ongoing basis. In certain embodiments, this may require each stored voltage and current feedback data pair to be indexed based on, or otherwise associated with, a corresponding LUT sample that was output by the programmable logic device **166** when the voltage and current feedback data pair was acquired. Synchronization of the LUT samples and the voltage and current feedback data in this manner contributes to the correct timing and stability of the pre-distortion algorithm.

In certain embodiments, the voltage and current feedback data may be used to control the frequency and/or amplitude (e.g., current amplitude) of the drive signals. In one embodiment, for example, voltage and current feedback data may be used to determine impedance phase. The frequency of the drive signal may then be controlled to minimize or reduce the difference between the determined impedance phase and an impedance phase setpoint (e.g.,  $0^\circ$ ), thereby minimizing or reducing the effects of harmonic distortion and correspondingly enhancing impedance phase measurement accuracy. The determination of phase impedance and a frequency control signal may be implemented in the processor **174**, for example, with the frequency control signal being supplied as input to a DDS control algorithm implemented by the programmable logic device **166**.

In another embodiment, for example, the current feedback data may be monitored in order to maintain the current amplitude of the drive signal at a current amplitude setpoint. The current amplitude setpoint may be specified directly or determined indirectly based on specified voltage amplitude and power setpoints. In certain embodiments, control of the current amplitude may be implemented by control algorithm, such as, for example, a proportional-integral-derivative (PID) control algorithm, in the processor **174**. Variables controlled by the control algorithm to suitably control the current amplitude of the drive signal may include, for example, the scaling of the LUT waveform samples stored in the programmable logic device **166** and/or the full-scale output voltage of the DAC **168** (which supplies the input to the power amplifier **162**) via a DAC **186**.

The non-isolated stage **154** may further comprise a processor **190** for providing, among other things user interface (UI) functionality. In one embodiment, the processor **190** may comprise an Atmel AT91 SAM9263 processor having an ARM 926EJ-S core, available from Atmel Corporation, San Jose, Calif., for example. Examples of UI functionality supported by the processor **190** may include audible and visual user feedback, communication with peripheral devices (e.g., via a Universal Serial Bus (USB) interface), communication with the footswitch **120**, communication with an input device **112** (e.g., a touch screen display) and communication with an output device **147** (e.g., a speaker). The processor **190** may communicate with the processor **174** and the programmable logic device (e.g., via serial peripheral interface (SPI) buses). Although the processor **190** may primarily support UI functionality, it may also coordinate with the processor **174** to implement hazard mitigation in certain embodiments. For example, the processor **190** may be programmed to monitor various aspects of user input

and/or other inputs (e.g., touch screen inputs, footswitch **120** inputs, temperature sensor inputs) and may disable the drive output of the generator **102** when an erroneous condition is detected.

In certain embodiments, both the processor **174** and the processor **190** may determine and monitor the operating state of the generator **102**. For the processor **174**, the operating state of the generator **102** may dictate, for example, which control and/or diagnostic processes are implemented by the processor **174**. For the processor **190**, the operating state of the generator **102** may dictate, for example, which elements of a user interface (e.g., display screens, sounds) are presented to a user. The processors **174**, **190** may independently maintain the current operating state of the generator **102** and recognize and evaluate possible transitions out of the current operating state. The processor **174** may function as the master in this relationship and determine when transitions between operating states are to occur. The processor **190** may be aware of valid transitions between operating states and may confirm if a particular transition is appropriate. For example, when the processor **174** instructs the processor **190** to transition to a specific state, the processor **190** may verify that requested transition is valid. In the event that a requested transition between states is determined to be invalid by the processor **190**, the processor **190** may cause the generator **102** to enter a failure mode.

The non-isolated stage **154** may further comprise a controller **196** for monitoring input devices **145** (e.g., a capacitive touch sensor used for turning the generator **102** on and off, a capacitive touch screen). In certain embodiments, the controller **196** may comprise at least one processor and/or other controller device in communication with the processor **190**. In one embodiment, for example, the controller **196** may comprise a processor (e.g., a Mega168 8-bit controller available from Atmel) configured to monitor user input provided via one or more capacitive touch sensors. In one embodiment, the controller **196** may comprise a touch screen controller (e.g., a QT5480 touch screen controller available from Atmel) to control and manage the acquisition of touch data from a capacitive touch screen.

In certain embodiments, when the generator **102** is in a “power off” state, the controller **196** may continue to receive operating power (e.g., via a line from a power supply of the generator **102**, such as the power supply **211** discussed below). In this way, the controller **196** may continue to monitor an input device **145** (e.g., a capacitive touch sensor located on a front panel of the generator **102**) for turning the generator **102** on and off. When the generator **102** is in the power off state, the controller **196** may wake the power supply (e.g., enable operation of one or more DC/DC voltage converters **213** of the power supply **211**) if activation of the “on/off” input device **145** by a user is detected. The controller **196** may therefore initiate a sequence for transitioning the generator **102** to a “power on” state. Conversely, the controller **196** may initiate a sequence for transitioning the generator **102** to the power off state if activation of the “on/off” input device **145** is detected when the generator **102** is in the power on state. In certain embodiments, for example, the controller **196** may report activation of the “on/off” input device **145** to the processor **190**, which in turn implements the necessary process sequence for transitioning the generator **102** to the power off state. In such embodiments, the controller **196** may have no independent ability for causing the removal of power from the generator **102** after its power on state has been established.



In certain embodiments, the controller **196** may cause the generator **102** to provide audible or other sensory feedback for alerting the user that a power on or power off sequence has been initiated. Such an alert may be provided at the beginning of a power on or power off sequence and prior to the commencement of other processes associated with the sequence.

In certain embodiments, the isolated stage **152** may comprise an instrument interface circuit **198** to, for example, provide a communication interface between a control circuit of a surgical device (e.g., a control circuit comprising handpiece switches) and components of the non-isolated stage **154**, such as, for example, the programmable logic device **166**, the processor **174** and/or the processor **190**. The instrument interface circuit **198** may exchange information with components of the non-isolated stage **154** via a communication link that maintains a suitable degree of electrical isolation between the stages **152**, **154**, such as, for example, an infrared (IR)-based communication link. Power may be supplied to the instrument interface circuit **198** using, for example, a low-dropout voltage regulator powered by an isolation transformer driven from the non-isolated stage **154**.

In one embodiment, the instrument interface circuit **198** may comprise a programmable logic device **200** (e.g., an FPGA) in communication with a signal conditioning circuit **202**. The signal conditioning circuit **202** may be configured to receive a periodic signal from the programmable logic device **200** (e.g., a 2 kHz square wave) to generate a bipolar interrogation signal having an identical frequency. The interrogation signal may be generated, for example, using a bipolar current source fed by a differential amplifier. The interrogation signal may be communicated to a surgical device control circuit (e.g., by using a conductive pair in a cable that connects the generator **102** to the surgical device) and monitored to determine a state or configuration of the control circuit. As discussed below in connection with FIGS. **16-32**, for example, the control circuit may comprise a number of switches, resistors and/or diodes to modify one or more characteristics (e.g., amplitude, rectification) of the interrogation signal such that a state or configuration of the control circuit is uniquely discernable based on the one or more characteristics. In one embodiment, for example, the signal conditioning circuit **202** may comprise an ADC for generating samples of a voltage signal appearing across inputs of the control circuit resulting from passage of interrogation signal therethrough. The programmable logic device **200** (or a component of the non-isolated stage **154**) may then determine the state or configuration of the control circuit based on the ADC samples.

In one embodiment, the instrument interface circuit **198** may comprise a first data circuit interface **204** to enable information exchange between the programmable logic device **200** (or other element of the instrument interface circuit **198**) and a first data circuit disposed in or otherwise associated with a surgical device. In certain embodiments and with reference to FIGS. **33E-33G**, for example, a first data circuit **206** may be disposed in a cable integrally attached to a surgical device handpiece, or in an adaptor for interfacing a specific surgical device type or model with the generator **102**. In certain embodiments, the first data circuit may comprise a non-volatile storage device, such as an electrically erasable programmable read-only memory (EEPROM) device. In certain embodiments and referring again to FIG. **10**, the first data circuit interface **204** may be implemented separately from the programmable logic device **200** and comprise suitable circuitry (e.g., discrete logic devices, a processor) to enable communication

between the programmable logic device **200** and the first data circuit. In other embodiments, the first data circuit interface **204** may be integral with the programmable logic device **200**.

In certain embodiments, the first data circuit **206** may store information pertaining to the particular surgical device with which it is associated. Such information may include, for example, a model number, a serial number, a number of operations in which the surgical device has been used, and/or any other type of information. This information may be read by the instrument interface circuit **198** (e.g., by the programmable logic device **200**), transferred to a component of the non-isolated stage **154** (e.g., to programmable logic device **166**, processor **174** and/or processor **190**) for presentation to a user via an output device **147** and/or for controlling a function or operation of the generator **102**. Additionally, any type of information may be communicated to first data circuit **206** for storage therein via the first data circuit interface **204** (e.g., using the programmable logic device **200**). Such information may comprise, for example, an updated number of operations in which the surgical device has been used and/or dates and/or times of its usage.

As discussed previously, a surgical instrument may be detachable from a handpiece (e.g., instrument **124** may be detachable from handpiece **116**) to promote instrument interchangeability and/or disposability. In such cases, known generators may be limited in their ability to recognize particular instrument configurations being used and to optimize control and diagnostic processes accordingly. The addition of readable data circuits to surgical device instruments to address this issue is problematic from a compatibility standpoint, however. For example, designing a surgical device to remain backwardly compatible with generators that lack the requisite data reading functionality may be impractical due to, for example, differing signal schemes, design complexity and cost. Embodiments of instruments discussed below in connection with FIGS. **16-32** address these concerns by using data circuits that may be implemented in existing surgical instruments economically and with minimal design changes to preserve compatibility of the surgical devices with current generator platforms.

Additionally, embodiments of the generator **102** may enable communication with instrument-based data circuits, such as those described below in connection with FIGS. **16-32** and FIGS. **33A-33C**. For example, the generator **102** may be configured to communicate with a second data circuit (e.g., data circuit **284** of FIG. **16**) contained in an instrument (e.g., instrument **124** or **134**) of a surgical device. The instrument interface circuit **198** may comprise a second data circuit interface **210** to enable this communication. In one embodiment, the second data circuit interface **210** may comprise a tri-state digital interface, although other interfaces may also be used. In certain embodiments, the second data circuit may generally be any circuit for transmitting and/or receiving data. In one embodiment, for example, the second data circuit may store information pertaining to the particular surgical instrument with which it is associated. Such information may include, for example, a model number, a serial number, a number of operations in which the surgical instrument has been used, and/or any other type of information. Additionally or alternatively, any type of information may be communicated to second data circuit for storage therein via the second data circuit interface **210** (e.g., using the programmable logic device **200**). Such information may comprise, for example, an updated number of operations in which the instrument has been used and/or



dates and/or times of its usage. In certain embodiments, the second data circuit may transmit data acquired by one or more sensors (e.g., an instrument-based temperature sensor). In certain embodiments, the second data circuit may receive data from the generator **102** and provide an indication to a user (e.g., an LED indication or other visible indication) based on the received data.

In certain embodiments, the second data circuit and the second data circuit interface **210** may be configured such that communication between the programmable logic device **200** and the second data circuit can be effected without the need to provide additional conductors for this purpose (e.g., dedicated conductors of a cable connecting a handpiece to the generator **102**). In one embodiment, for example, information may be communicated to and from the second data circuit using a one-wire bus communication scheme implemented on existing cabling, such as one of the conductors used transmit interrogation signals from the signal conditioning circuit **202** to a control circuit in a handpiece. In this way, design changes or modifications to the surgical device that might otherwise be necessary are minimized or reduced. Moreover, as discussed in further detail below in connection with FIGS. **16-32** and FIGS. **33A-33C**, because different types of communications can be implemented over a common physical channel (either with or without frequency-band separation), the presence of a second data circuit may be “invisible” to generators that do not have the requisite data reading functionality, thus enabling backward compatibility of the surgical device instrument.

In certain embodiments, the isolated stage **152** may comprise at least one blocking capacitor **296-1** connected to the drive signal output **160b** to prevent passage of DC current to a patient. A single blocking capacitor may be required to comply with medical regulations or standards, for example. While failure in single-capacitor designs is relatively uncommon, such failure may nonetheless have negative consequences. In one embodiment, a second blocking capacitor **296-2** may be provided in series with the blocking capacitor **296-1**, with current leakage from a point between the blocking capacitors **296-1**, **296-2** being monitored by, for example, an ADC **298** for sampling a voltage induced by leakage current. The samples may be received by the programmable logic device **200**, for example. Based on changes in the leakage current (as indicated by the voltage samples in the embodiment of FIG. **10**), the generator **102** may determine when at least one of the blocking capacitors **296-1**, **296-2** has failed. Accordingly, the embodiment of FIG. **10** may provide a benefit over single-capacitor designs having a single point of failure.

In certain embodiments, the non-isolated stage **154** may comprise a power supply **211** for outputting DC power at a suitable voltage and current. The power supply may comprise, for example, a 400 W power supply for outputting a 48 VDC system voltage. The power supply **211** may further comprise one or more DC/DC voltage converters **213** for receiving the output of the power supply to generate DC outputs at the voltages and currents required by the various components of the generator **102**. As discussed above in connection with the controller **196**, one or more of the DC/DC voltage converters **213** may receive an input from the controller **196** when activation of the “on/off” input device **145** by a user is detected by the controller **196** to enable operation of, or wake, the DC/DC voltage converters **213**.

FIGS. **13A-13B** illustrate certain functional and structural aspects of one embodiment of the generator **102**. Feedback indicating current and voltage output from the secondary

winding **158** of the power transformer **156** is received by the ADCs **178**, **180**, respectively. As shown, the ADCs **178**, **180** may be implemented as a 2-channel ADC and may sample the feedback signals at a high speed (e.g., 80 Msps) to enable oversampling (e.g., approximately 200× oversampling) of the drive signals. The current and voltage feedback signals may be suitably conditioned in the analog domain (e.g., amplified, filtered) prior to processing by the ADCs **178**, **180**. Current and voltage feedback samples from the ADCs **178**, **180** may be individually buffered and subsequently multiplexed or interleaved into a single data stream within block **212** of the programmable logic device **166**. In the embodiment of FIGS. **13A-13B**, the programmable logic device **166** comprises an FPGA.

The multiplexed current and voltage feedback samples may be received by a parallel data acquisition port (PDAP) implemented within block **214** of the processor **174**. The PDAP may comprise a packing unit for implementing any of a number of methodologies for correlating the multiplexed feedback samples with a memory address. In one embodiment, for example, feedback samples corresponding to a particular LUT sample output by the programmable logic device **166** may be stored at one or more memory addresses that are correlated or indexed with the LUT address of the LUT sample. In another embodiment, feedback samples corresponding to a particular LUT sample output by the programmable logic device **166** may be stored, along with the LUT address of the LUT sample, at a common memory location. In any event, the feedback samples may be stored such that the address of an LUT sample from which a particular set of feedback samples originated may be subsequently ascertained. As discussed above, synchronization of the LUT sample addresses and the feedback samples in this way contributes to the correct timing and stability of the pre-distortion algorithm. A direct memory access (DMA) controller implemented at block **216** of the processor **174** may store the feedback samples (and any LUT sample address data, where applicable) at a designated memory location **218** of the processor **174** (e.g., internal RAM).

Block **220** of the processor **174** may implement a pre-distortion algorithm for pre-distorting or modifying the LUT samples stored in the programmable logic device **166** on a dynamic, ongoing basis. As discussed above, pre-distortion of the LUT samples may compensate for various sources of distortion present in the output drive circuit of the generator **102**. The pre-distorted LUT samples, when processed through the drive circuit, will therefore result in a drive signal having the desired waveform shape (e.g., sinusoidal) for optimally driving the ultrasonic transducer.

At block **222** of the pre-distortion algorithm, the current through the motional branch of the ultrasonic transducer is determined. The motional branch current may be determined using Kirchoff’s Current Law based on, for example, the current and voltage feedback samples stored at memory location **218** (which, when suitably scaled, may be representative of  $I_g$  and  $V_g$  in the model of FIG. **9** discussed above), a value of the ultrasonic transducer static capacitance  $C_0$  (measured or known a priori) and a known value of the drive frequency. A motional branch current sample for each set of stored current and voltage feedback samples associated with a LUT sample may be determined.

At block **224** of the pre-distortion algorithm, each motional branch current sample determined at block **222** is compared to a sample of a desired current waveform shape to determine a difference, or sample amplitude error, between the compared samples. For this determination, the sample of the desired current waveform shape may be



supplied, for example, from a waveform shape LUT **226** containing amplitude samples for one cycle of a desired current waveform shape. The particular sample of the desired current waveform shape from the LUT **226** used for the comparison may be dictated by the LUT sample address associated with the motional branch current sample used in the comparison. Accordingly, the input of the motional branch current to block **224** may be synchronized with the input of its associated LUT sample address to block **224**. The LUT samples stored in the programmable logic device **166** and the LUT samples stored in the waveform shape LUT **226** may therefore be equal in number. In certain embodiments, the desired current waveform shape represented by the LUT samples stored in the waveform shape LUT **226** may be a fundamental sine wave. Other waveform shapes may be desirable. For example, it is contemplated that a fundamental sine wave for driving main longitudinal motion of an ultrasonic transducer superimposed with one or more other drive signals at other frequencies, such as a third order harmonic for driving at least two mechanical resonances for beneficial vibrations of transverse or other modes, could be used.

Each value of the sample amplitude error determined at block **224** may be transmitted to the LUT of the programmable logic device **166** (shown at block **228** in FIG. **13A**) along with an indication of its associated LUT address. Based on the value of the sample amplitude error and its associated address (and, optionally, values of sample amplitude error for the same LUT address previously received), the LUT **228** (or other control block of the programmable logic device **166**) may pre-distort or modify the value of the LUT sample stored at the LUT address such that the sample amplitude error is reduced or minimized. It will be appreciated that such pre-distortion or modification of each LUT sample in an iterative manner across the entire range of LUT addresses will cause the waveform shape of the generator's output current to match or conform to the desired current waveform shape represented by the samples of the waveform shape LUT **226**.

Current and voltage amplitude measurements, power measurements and impedance measurements may be determined at block **230** of the processor **174** based on the current and voltage feedback samples stored at memory location **218**. Prior to the determination of these quantities, the feedback samples may be suitably scaled and, in certain embodiments, processed through a suitable filter **232** to remove noise resulting from, for example, the data acquisition process and induced harmonic components. The filtered voltage and current samples may therefore substantially represent the fundamental frequency of the generator's drive output signal. In certain embodiments, the filter **232** may be a finite impulse response (FIR) filter applied in the frequency domain. Such embodiments may use the fast Fourier transform (FFT) of the output drive signal current and voltage signals. In certain embodiments, the resulting frequency spectrum may be used to provide additional generator functionality. In one embodiment, for example, the ratio of the second and/or third order harmonic component relative to the fundamental frequency component may be used as a diagnostic indicator.

At block **234**, a root mean square (RMS) calculation may be applied to a sample size of the current feedback samples representing an integral number of cycles of the drive signal to generate a measurement  $I_{rms}$  representing the drive signal output current.

At block **236**, a root mean square (RMS) calculation may be applied to a sample size of the voltage feedback samples

representing an integral number of cycles of the drive signal to determine a measurement  $V_{rms}$  representing the drive signal output voltage.

At block **238**, the current and voltage feedback samples may be multiplied point by point, and a mean calculation is applied to samples representing an integral number of cycles of the drive signal to determine a measurement  $P_r$  of the generator's real output power.

At block **240**, measurement  $P_a$  of the generator's apparent output power may be determined as the product  $V_{rms} \cdot I_{rms}$ .

At block **242**, measurement  $Z_m$  of the load impedance magnitude may be determined as the quotient  $V_{rms}/I_{rms}$ . In certain embodiments, the quantities  $I_{rms}$ ,  $V_{rms}$ ,  $P_r$ ,  $P_a$  and  $Z_m$  determined at blocks **234**, **236**, **238**, **240** and **242** may be used by the generator **102** to implement any of number of control and/or diagnostic processes. In certain embodiments, any of these quantities may be communicated to a user via, for example, an output device **147** integral with the generator **102** or an output device **147** connected to the generator **102** through a suitable communication interface (e.g., a USB interface). Various diagnostic processes may include, without limitation, handpiece integrity, instrument integrity, instrument attachment integrity, instrument overload, approaching instrument overload, frequency lock failure, over-voltage, over-current, over-power, voltage sense failure, current sense failure, audio indication failure, visual indication failure, short circuit, power delivery failure, blocking capacitor failure, for example.

Block **244** of the processor **174** may implement a phase control algorithm for determining and controlling the impedance phase of an electrical load (e.g., the ultrasonic transducer) driven by the generator **102**. As discussed above, by controlling the frequency of the drive signal to minimize or reduce the difference between the determined impedance phase and an impedance phase setpoint (e.g.,  $0^\circ$ ), the effects of harmonic distortion may be minimized or reduced, and the accuracy of the phase measurement increased.

The phase control algorithm receives as input the current and voltage feedback samples stored in the memory location **218**. Prior to their use in the phase control algorithm, the feedback samples may be suitably scaled and, in certain embodiments, processed through a suitable filter **246** (which may be identical to filter **232**) to remove noise resulting from the data acquisition process and induced harmonic components, for example. The filtered voltage and current samples may therefore substantially represent the fundamental frequency of the generator's drive output signal.

At block **248** of the phase control algorithm, the current through the motional branch of the ultrasonic transducer is determined. This determination may be identical to that described above in connection with block **222** of the pre-distortion algorithm. The output of block **248** may thus be, for each set of stored current and voltage feedback samples associated with a LUT sample, a motional branch current sample.

At block **250** of the phase control algorithm, impedance phase is determined based on the synchronized input of motional branch current samples determined at block **248** and corresponding voltage feedback samples. In certain embodiments, the impedance phase is determined as the average of the impedance phase measured at the rising edge of the waveforms and the impedance phase measured at the falling edge of the waveforms.

At block **252** of the of the phase control algorithm, the value of the impedance phase determined at block **222** is compared to phase setpoint **254** to determine a difference, or phase error, between the compared values.



At block **256** of the phase control algorithm, based on a value of phase error determined at block **252** and the impedance magnitude determined at block **242**, a frequency output for controlling the frequency of the drive signal is determined. The value of the frequency output may be continuously adjusted by the block **256** and transferred to a DDS control block **268** (discussed below) in order to maintain the impedance phase determined at block **250** at the phase setpoint (e.g., zero phase error). In certain embodiments, the impedance phase may be regulated to a 0° phase setpoint. In this way, any harmonic distortion will be centered about the crest of the voltage waveform, enhancing the accuracy of phase impedance determination.

Block **258** of the processor **174** may implement an algorithm for modulating the current amplitude of the drive signal in order to control the drive signal current, voltage and power in accordance with user specified setpoints, or in accordance with requirements specified by other processes or algorithms implemented by the generator **102**. Control of these quantities may be realized, for example, by scaling the LUT samples in the LUT **228** and/or by adjusting the full-scale output voltage of the DAC **168** (which supplies the input to the power amplifier **162**) via a DAC **186**. Block **260** (which may be implemented as a PID controller in certain embodiments) may receive as input current feedback samples (which may be suitably scaled and filtered) from the memory location **218**. The current feedback samples may be compared to a “current demand”  $I_d$  value dictated by the controlled variable (e.g., current, voltage or power) to determine if the drive signal is supplying the necessary current. In embodiments in which drive signal current is the control variable, the current demand  $I_d$  may be specified directly by a current setpoint **262A** ( $I_{sp}$ ). For example, an RMS value of the current feedback data (determined as in block **234**) may be compared to user-specified RMS current setpoint  $I_{sp}$  to determine the appropriate controller action. If, for example, the current feedback data indicates an RMS value less than the current setpoint  $I_{sp}$ , LUT scaling and/or the full-scale output voltage of the DAC **168** may be adjusted by the block **260** such that the drive signal current is increased. Conversely, block **260** may adjust LUT scaling and/or the full-scale output voltage of the DAC **168** to decrease the drive signal current when the current feedback data indicates an RMS value greater than the current setpoint  $I_{sp}$ .

In embodiments in which the drive signal voltage is the control variable, the current demand  $I_d$  may be specified indirectly, for example, based on the current required maintain a desired voltage setpoint **262B** ( $V_{sp}$ ) given the load impedance magnitude  $Z_m$  measured at block **242** (e.g.  $I_d = V_{sp}/Z_m$ ). Similarly, in embodiments in which drive signal power is the control variable, the current demand  $I_d$  may be specified indirectly, for example, based on the current required to maintain a desired power setpoint **262C** ( $P_{sp}$ ) given the voltage  $V_{rms}$  measured at blocks **236** (e.g.  $I_d = P_{sp}/V_{rms}$ ).

Block **268** may implement a DDS control algorithm for controlling the drive signal by recalling LUT samples stored in the LUT **228**. In certain embodiments, the DDS control algorithm be a numerically-controlled oscillator (NCO) algorithm for generating samples of a waveform at a fixed clock rate using a point (memory location)-skipping technique. The NCO algorithm may implement a phase accumulator, or frequency-to-phase converter, that functions as an address pointer for recalling LUT samples from the LUT **228**. In one embodiment, the phase accumulator may be a D step size, modulo N phase accumulator, where D is a positive integer representing a frequency control value, and

N is the number of LUT samples in the LUT **228**. A frequency control value of  $D=1$ , for example, may cause the phase accumulator to sequentially point to every address of the LUT **228**, resulting in a waveform output replicating the waveform stored in the LUT **228**. When  $D>1$ , the phase accumulator may skip addresses in the LUT **228**, resulting in a waveform output having a higher frequency. Accordingly, the frequency of the waveform generated by the DDS control algorithm may therefore be controlled by suitably varying the frequency control value. In certain embodiments, the frequency control value may be determined based on the output of the phase control algorithm implemented at block **244**. The output of block **268** may supply the input of DAC **168**, which in turn supplies a corresponding analog signal to an input of the power amplifier **162**.

Block **270** of the processor **174** may implement a switch-mode converter control algorithm for dynamically modulating the rail voltage of the power amplifier **162** based on the waveform envelope of the signal being amplified, thereby improving the efficiency of the power amplifier **162**. In certain embodiments, characteristics of the waveform envelope may be determined by monitoring one or more signals contained in the power amplifier **162**. In one embodiment, for example, characteristics of the waveform envelope may be determined by monitoring the minima of a drain voltage (e.g., a MOSFET drain voltage) that is modulated in accordance with the envelope of the amplified signal. A minima voltage signal may be generated, for example, by a voltage minima detector coupled to the drain voltage. The minima voltage signal may be sampled by ADC **176**, with the output minima voltage samples being received at block **272** of the switch-mode converter control algorithm. Based on the values of the minima voltage samples, block **274** may control a PWM signal output by a PWM generator **276**, which, in turn, controls the rail voltage supplied to the power amplifier **162** by the switch-mode regulator **170**. In certain embodiments, as long as the values of the minima voltage samples are less than a minima target **278** input into block **262**, the rail voltage may be modulated in accordance with the waveform envelope as characterized by the minima voltage samples. When the minima voltage samples indicate low envelope power levels, for example, block **274** may cause a low rail voltage to be supplied to the power amplifier **162**, with the full rail voltage being supplied only when the minima voltage samples indicate maximum envelope power levels. When the minima voltage samples fall below the minima target **278**, block **274** may cause the rail voltage to be maintained at a minimum value suitable for ensuring proper operation of the power amplifier **162**.

FIGS. **33A-33C** illustrate control circuits of surgical devices according to various embodiments. As discussed above in connection with FIG. **10**, a control circuit may modify characteristics of an interrogation signal transmitted by the generator **102**. The characteristics of the interrogation signal, which may uniquely indicate a state or configuration of the control circuit, can be discerned by the generator **102** and used to control aspects of its operation. The control circuits may be contained in an ultrasonic surgical device (e.g., in the handpiece **116** of the ultrasonic surgical device **104**), or in an electrosurgical device (e.g., in the handpiece **130** of the electrosurgical device **106**).

Referring to the embodiment of FIG. **33A**, a control circuit **300-1** may be connected to the generator **102** to receive an interrogation signal (e.g., a bipolar interrogation signal at 2 kHz) from the signal conditioning circuit **202** (e.g., from generator terminals HS and SR (FIG. **10**) via a conductive pair of cable **112** or cable **128**). The control



circuit **300-1** may comprise a first branch that includes series-connected diodes **D1** and **D2** and a switch **SW1** connected in parallel with **D2**. The control circuit **300-1** may also comprise a second branch that includes series-connected diodes **D3**, **D4** and **D5**, a switch **SW2** connected in parallel with **D4**, and a resistor **R1** connected in parallel with **D5**. In certain embodiments and as shown, **D5** may be a Zener diode. The control circuit **300-1** may additionally comprise a data storage element **302** that, together with one or more components of the second branch (e.g., **D5**, **R1**), define a data circuit **304**. In certain embodiments, the data storage element **302**, and possibly other components of the data circuit **304**, may be contained in the instrument (e.g., instrument **124**, instrument **134**) of the surgical device, with other components of the control circuit **300-1** (e.g., **SW1**, **SW2**, **D1**, **D2**, **D3**, **D4**) being contained in the handpiece (e.g., handpiece **116**, handpiece **130**). In certain embodiments, the data storage element **302** may be a single-wire bus device (e.g., a single-wire protocol EEPROM), or other single-wire protocol or local interconnect network (LIN) protocol device. In one embodiment, for example, the data storage element **302** may comprise a Maxim DS28EC20 EEPROM, available from Maxim Integrated Products, Inc., Sunnyvale, Calif., known under the trade name "1-Wire." The data storage element **302** is one example of a circuit element that may be contained in the data circuit **304**. The data circuit **304** may additionally or alternatively comprise one or more other circuit elements or components capable of transmitting or receiving data. Such circuit elements or components may be configured to, for example, transmit data acquired by one or more sensors (e.g., an instrument-based temperature sensor) and/or receive data from the generator **102** and provide an indication to a user (e.g., an LED indication or other visible indication) based on the received data.

During operation, an interrogation signal (e.g., a bipolar interrogation signal at 2 kHz) from the signal conditioning circuit **202** may be applied across both branches of the control circuit **300-1**. In this way, the voltage appearing across the branches may be uniquely determined by the states of **SW1** and **SW2**. For example, when **SW1** is open, the voltage drop across the control circuit **300-1** for negative values of the interrogation signal will be sum of the forward voltage drops across **D1** and **D2**. When **SW1** is closed, the voltage drop for negative values of the interrogation signal will be determined by the forward voltage drop of **D1** only. Thus, for example, with a forward voltage drop of 0.7 volts for each of **D1** and **D2**, open and closed states of **SW1** may correspond to voltage drops of 1.4 volts and 0.7 volts, respectively. In the same way, the voltage drop across the control circuit **300-1** for positive values of the interrogation signal may be uniquely determined by the state of **SW2**. For example, when **SW2** is open, the voltage drop across the control circuit **300-1** will be the sum of the forward voltage drops across **D3** and **D4** (e.g., 1.4 volts) and the breakdown voltage of **D5** (e.g., 3.3 volts). When **SW2** is closed, the voltage drop across the control circuit **300-1** will be the sum of the forward voltage drop across **D3** and the breakdown voltage of **D5**. Accordingly, the state or configuration of **SW1** and **SW2** may be discerned by the generator **102** based on the interrogation signal voltage appearing across the inputs of the control circuit **300-1** (e.g., as measured by an ADC of the signal conditioning circuit **202**).

In certain embodiments, the generator **102** may be configured to communicate with the data circuit **304**, and, in particular, with the data storage element **302**, via the second data circuit interface **210** (FIG. **10**) and the conductive pair

of cable **112** or cable **128**. The frequency band of the communication protocol used to communicate with the data circuit **304** may be higher than the frequency band of the interrogation signal. In certain embodiments, for example, the frequency of the communication protocol for the data storage element **302** may be, for example, 200 kHz or a significantly higher frequency, whereas the frequency of the interrogation signal used to determine the different states of **SW1** and **SW2** may be, for example, 2 kHz. Diode **D5** may limit the voltage supplied to the data storage element **302** to a suitable operating range (e.g., 3.3-5V).

As explained above in connection with FIG. **10**, the data circuit **304**, and, in particular, the data storage element **302**, may store information pertaining to the particular surgical instrument with which it is associated. Such information may be retrieved by the generator **102** and include, for example, a model number, a serial number, a number of operations in which the surgical instrument has been used, and/or any other type of information. Additionally, any type of information may be communicated from the generator **102** to the data circuit **304** for storage in the data storage element **302**. Such information may comprise, for example, an updated number of operations in which the instrument has been used and/or dates and/or times of its usage.

As noted above, the data circuit **304** may additionally or alternatively comprise components or elements other than the data storage element **302** for transmitting or receiving data. Such components or elements may be configured to, for example, transmit data acquired by one or more sensors (e.g., an instrument-based temperature sensor) and/or receive data from the generator **102** and provide an indication to a user (e.g., an LED indication or other visible indication) based on the received data.

Embodiments of the control circuit may comprise additional switches. With reference to the embodiment of FIG. **33B**, for example, control circuit **300-2** may comprise a first branch having a first switch **SW1** and a second switch **SW2** (for a total of three switches), with each combination of **SW1** and **SW2** states corresponding to a unique voltage drop across the control circuit **300-2** for negative values of the interrogation signal. For example, the open and closed states of **SW1** add or remove, respectively, the forward voltage drops of **D2** and **D3**, and the open and closed states of **SW2** add or remove, respectively, the forward voltage drop of **D4**. In the embodiment of FIG. **33C**, the first branch of control circuit **300-3** comprises three switches (for a total of four switches), with the breakdown voltage of Zener diode **D2** being used to distinguish changes in the voltage drop resulting from the operation of **SW1** from voltage changes resulting from the operation of **SW2** and **SW3**.

FIGS. **14** and **15** illustrate control circuits of surgical devices according to various embodiments. As discussed above in connection with FIG. **10**, a control circuit may modify characteristics of an interrogation signal transmitted by the generator **102**. The characteristics of the interrogation signal, which may uniquely indicate the state or configuration of the control circuit, can be discerned by the generator **102** and used to control aspects of its operation. The control circuit **280** of FIG. **14** may be contained in an ultrasonic surgical device (e.g., in handpiece **116** of ultrasonic surgical device **104**), and the control circuit **282** of FIG. **15** may be contained in an electrosurgical device (e.g., in handpiece **130** of electrosurgical device **106**).

Referring to FIG. **14**, control circuit **280** may be connected to the generator **102** to receive an interrogation signal (e.g., a bipolar interrogation signal at 2 kHz) from the signal conditioning circuit **202** (e.g., from generator terminals HS



and SR (FIG. 10) via a conductive pair of cable 112). The control circuit 280 may comprise a first switch SW1 in series with a first diode D1 to define a first branch, and a second switch SW2 in series with a second diode D2 to define a second branch. The first and second branches may be connected in parallel such that the forward conduction direction of D2 is opposite that of D1. The interrogation signal may be applied across both branches. When both SW1 and SW2 are open, the control circuit 280 may define an open circuit. When SW1 is closed and SW2 is open, the interrogation signal may undergo half-wave rectification in a first direction (e.g., positive half of interrogation signal blocked). When SW1 is open and SW2 is closed, the interrogation signal may undergo half-wave rectification in a second direction (e.g., negative half of interrogation signal blocked). When both SW1 and SW2 are closed, no rectification may occur. Accordingly, based on the different characteristics of the interrogation signal corresponding to the different states of SW1 and SW2, the state or configuration of the control circuit 280 may be discerned by the generator 102 based on a voltage signal appearing across the inputs of the control circuit 280 (e.g., as measured by an ADC of the signal conditioning circuit 202).

In certain embodiments and as shown in FIG. 14, the cable 112 may comprise a data circuit 206. The data circuit 206 may comprise, for example, a non-volatile storage device, such as an EEPROM device. The generator 102 may exchange information with the data circuit 206 via the first data circuit interface 204 as discussed above in connection with FIG. 10. Such information may be specific to a surgical device integral with, or configured for use with, the cable 112 and may comprise, for example, a model number, a serial number, a number of operations in which the surgical device has been used, and/or any other type of information. Information may also be communicated from the generator 102 to the data circuit 206 for storage therein, as discussed above in connection with FIG. 10. In certain embodiments and with reference to FIGS. 33E-33G, the data circuit 206 may be disposed in an adaptor for interfacing a specific surgical device type or model with the generator 102.

Referring to FIG. 15, control circuit 282 may be connected to the generator 102 to receive an interrogation signal (e.g., a bipolar interrogation signal at 2 kHz) from the signal conditioning circuit 202 (e.g., from generator terminals HS and SR (FIG. 10) via a conductive pair of cable 128). The control circuit 282 may comprise series-connected resistors R2, R3 and R4, with switches SW1 and SW2 connected across R2 and R4, respectively. The interrogation signal may be applied across at least one of the series-connected resistors to generate a voltage drop across the control circuit 282. For example, when both SW1 and SW2 are open, the voltage drop may be determined by R2, R3 and R4. When SW1 is closed and SW2 is open, the voltage drop may be determined by R3 and R4. When SW1 is open and SW2 is closed, the voltage drop may be determined by R2 and R3. When both SW1 and SW2 are closed, the voltage drop may be determined by R3. Accordingly, based on the voltage drop across the control circuit 282 (e.g., as measured by an ADC of the signal conditioning circuit 202), the state or configuration of the control circuit 282 may be discerned by the generator 102.

FIG. 16 illustrates one embodiment of a control circuit 280-1 of an ultrasonic surgical device, such as the ultrasonic surgical device 104. The control circuit 280-1, in addition to comprising components of the control circuit 280 of FIG. 14, may comprise a data circuit 284 having a data storage element 286. In certain embodiments, the data storage

element 286, and possibly other components of the data circuit 284, may be contained in the instrument (e.g., instrument 124) of the ultrasonic surgical device, with other components of the control circuit 280-1 (e.g., SW1, SW2, D1, D2, D3, D4, C1) being contained in the handpiece (e.g., handpiece 116). In certain embodiments, the data storage element 286 may be a single-wire bus device (e.g., a single-wire protocol EEPROM), or other single-wire protocol or local interconnect network (LIN) protocol device. In one embodiment, for example, the data storage element 286 may comprise a Maxim DS28EC20 one-wire EEPROM, available from Maxim Integrated Products, Inc., Sunnyvale, Calif., known under the trade name "1-Wire."

In certain embodiments, the generator 102 may be configured to communicate with the data circuit 284, and, in particular, with the data storage element 286, via the second data circuit interface 210 (FIG. 10) and the conductive pair of the cable 112. In particular, the frequency band of the communication protocol used to communicate with the data circuit 284 may be higher than the frequency band of the interrogation signal. In certain embodiments, for example, the frequency of the communication protocol for the data storage element 286 may be, for example, 200 kHz or a significantly higher frequency, whereas the frequency of the interrogation signal used to determine the different states of SW1 and SW2 may be, for example, 2 kHz. Accordingly, the value of capacitor C1 of the data circuit 284 may be selected such that the data storage element 286 is "hidden" from the relatively low frequency of the interrogation signal while allowing the generator 102 to communicate with the data storage element 286 at the higher frequency of the communication protocol. A series diode D3 may protect the data storage element 286 from negative cycles of the interrogation signal, and a parallel Zener diode D4 may limit the voltage supplied to the data storage element 286 to a suitable operating range (e.g., 3.3-5V). When in the forward conduction mode, D4 may also clamp negative cycles of the interrogation signal to ground.

As explained above in connection with FIG. 10, the data circuit 284, and, in particular, the data storage element 286, may store information pertaining to the particular surgical instrument with which it is associated. Such information may be retrieved by the generator 102 and include, for example, a model number, a serial number, a number of operations in which the surgical instrument has been used, and/or any other type of information. Additionally, any type of information may be communicated from the generator 102 to the data circuit 284 for storage in the data storage element 286. Such information may comprise, for example, an updated number of operations in which the instrument has been used and/or dates and/or times of its usage. Moreover, because the different types of communications between the generator 102 and the surgical device may be frequency-band separated, the presence of the data storage element 286 may be "invisible" to generators that do not have the requisite data reading functionality, thus enabling backward compatibility of the surgical device.

In certain embodiments and as shown in FIG. 17, the data circuit 284-1 may comprise an inductor L1 to provide isolation of the data storage element 286 from the states of SW1 and SW2. The addition of L1 may additionally enable use of the data circuit 284-1 in electrosurgical devices. FIG. 18, for example, illustrates one embodiment of a control circuit 282-1 that combines the control circuit 282 of FIG. 15 with the data circuit 284-1 of FIG. 17.

In certain embodiments, a data circuit may comprise one or more switches to modify one or more characteristics (e.g.,



amplitude, rectification) of an interrogation signal received by the data circuit such that a state or configuration of the one or more switches is uniquely discernable based on the one or more characteristics. FIG. 19, for example, illustrates one embodiment of a control circuit 282-2 in which the data circuit 284-2 comprises a switch SW3 connected in parallel with D4. An interrogation signal may be communicated from the generator 102 (e.g., from the signal conditioning circuit 202 of FIG. 10) at a frequency sufficient for the interrogation signal to be received by the data circuit 284-2 via C1 but blocked from other portions of the control circuit 282-2 by L1. In this way, one or more characteristics of a first interrogation signal (e.g., a bipolar interrogation signal at 25 kHz) may be used to discern the state of SW3, and one or more characteristics of a second interrogation signal at a lower frequency (e.g., a bipolar interrogation signal at 2 kHz) may be used to discern the states of SW1 and SW2. Although the addition of SW3 is illustrated in connection with the control circuit 282-2 in an electrosurgical device, it will be appreciated that SW3 may be added to a control circuit of an ultrasonic surgical device, such as, for example, the control circuit 280-2 of FIG. 17.

Additionally, it will be appreciated that switches in addition to SW3 may be added to a data circuit. As shown in FIGS. 20 and 21, for example, embodiments of the data circuit 284-3 and 284-4, respectively, may comprise a second switch SW4. In FIG. 20, voltage values of Zener diodes D5 and D6 may be selected such that their voltage values sufficiently differ to allow reliable discrimination of the interrogation signal in the presence of noise. The sum of the voltages values of D5 and D6 may be equal to or less than the voltage value of D4. In certain embodiments, depending upon the voltages values of D5 and D6, it may be possible to eliminate D4 from the embodiment of the data circuit 284-3 illustrated in FIG. 20.

In certain cases, the switches (e.g., SW1-SW4) may impede the ability of the generator 102 to communicate with the data storage element 286. In one embodiment, this issue may be addressed by declaring an error if the states of the switches are such that they will interfere with communication between the generator 102 and the data storage element 286. In another embodiment, the generator 102 may only permit communication with the data storage element 286 when determined by the generator 102 that the states of the switches will not interfere with the communication. Because the states of the switches may be unpredictable to an extent, the generator 102 may make this determination on a recurring basis. The addition of L1 in certain embodiments may prevent interference caused by switches external to the data circuit (e.g., SW1 and SW2). For switches contained within the data circuit (e.g., SW3 and SW4), isolation of the switches by frequency band separation may be realized by the addition of a capacitor C2 having a capacitance value significantly smaller than C1 (e.g.,  $C2 \ll C1$ ). Embodiments of data circuits 284-5, 284-6, 284-7 comprising C2 are shown in FIGS. 22-24, respectively.

In any of the embodiments of FIGS. 16-24, depending on the frequency response characteristics of D4, it may be desirable or necessary to add a fast diode in parallel with D4 and pointing in the same direction.

FIG. 25 illustrates one embodiment of a control circuit 280-5 in which communication between the generator 102 and a data storage element is implemented using an amplitude-modulated communication protocol (e.g., amplitude-modulated one-wire protocol [known under the trade name "1-Wire"] amplitude-modulated LIN protocol). Amplitude modulation of the communication protocol on a high-fre-

quency carrier (e.g., 8 MHz or higher) substantially increases frequency band separation between low frequency interrogation signals (e.g., interrogation signals at 2 kHz) and the native "baseband" frequency of the communication protocol used in the embodiments of FIGS. 16-24. The control circuit 280-5 may be similar to the control circuit 280-1 of FIG. 16, with the data circuit 288 comprising an additional capacitor C3 and resistor R5, which, in conjunction with D3, demodulate the amplitude-modulated communication protocol for receipt by the data storage element 286. As in the embodiment of FIG. 16, D3 may protect the data storage element 286 from negative cycles of the interrogation signal, and D4 may limit the voltage supplied to the data storage element 286 to a suitable operating range (e.g., 3.3-5V) and clamp negative cycles of the interrogation signal to ground when in the forward conduction mode. The increased frequency separation may allow C1 to be somewhat small relative to the embodiments of FIGS. 16-24. Additionally, the higher frequency of the carrier signal may also improve noise immunity of communications with the data storage element because it is further removed from the frequency range of electrical noise that may be generated by other surgical devices used in the same operating room environment. In certain embodiments, the relatively high frequency of the carrier in combination with the frequency response characteristics of D4 may make it desirable or necessary to add a fast diode in parallel with D4 and pointing in the same direction.

With the addition of an inductor L1 to prevent interference with data storage element 286 communications caused by switches external to the data circuit 288 (e.g., SW1 and SW2), the data circuit 288 may be used in control circuits of electrosurgical instruments, as shown in the embodiment of the data circuit 288-1 of FIG. 26.

With the exception of C2 and R3, and the more likely need for D7, the embodiments of FIGS. 25 and 26 are similar to the "baseband" embodiments of FIGS. 16-24. For example, the manner in which switches may be added to the data circuits of FIGS. 19-21 is directly applicable to the embodiments of FIGS. 25 and 26 (including the possibility of eliminating D4 from the modulated-carrier equivalent of the FIG. 20). Modulated-carrier equivalents of the data circuits embodied in FIGS. 22-24 may simply require the addition of an appropriately-sized inductor L2 in series with C2 in order to isolate the interrogation frequency for the additional switches (e.g., SW3, SW4) to an intermediate frequency band between the carrier frequency and the lower interrogation frequency for switches external to the data circuit. An embodiment of one such data circuit 282-7 is shown in FIG. 27.

In the embodiment of FIG. 27, any interference with the generator's ability to communicate with the data storage element 286 caused by states of SW1 and SW2 may be addressed as described above in connection with the embodiments of FIGS. 19-24. For example, the generator 102 may declare an error if switch states will prevent communication, or the generator 102 may only permit communication when determined by the generator 102 that the switch states will not cause interference.

In certain embodiments, the data circuit may not comprise a data storage element 286 (e.g., an EEPROM device) to store information. FIGS. 28-32 illustrate embodiments of control circuits that utilize resistive and/or inductive elements to modify one or more characteristics of an interrogation signal (e.g., amplitude, phase) such that a state or configuration of the control circuit may be uniquely discerned based on the one or more characteristics.



In FIG. 28, for example, the data circuit 290 may comprise an identification resistor R1, with the value of C1 selected such that R1 is "hidden" from a first low frequency interrogation signal (e.g., an interrogation signal at 2 kHz) for determining the states of SW1 and SW2. By measuring the voltage and/or current (e.g., amplitude, phase) at the inputs of the control circuit 280-6 resulting from a second interrogation signal within a substantially higher frequency band, the generator 102 may measure the value of R1 through C1 in order to determine which of a plurality of identification resistors is contained in the instrument. Such information may be used by the generator 102 to identify the instrument, or a particular characteristic of the instrument, so that control and diagnostic processes may be optimized. Any interference with the generator's ability to measure R1 caused by states of SW1 and SW2 may be addressed by declaring an error if switch states will prevent measurement, or by maintaining the voltage of the second higher-frequency interrogation signal below the turn-on voltages of D1 and D2. Such interference may also be addressed by adding an inductor in series with the switch circuitry (L1 in FIG. 29) to block the second higher-frequency interrogation signal while passing the first, lower-frequency interrogation signal. The addition of an inductor in this manner may also enable the use of the data circuit 290 in control circuits of electrosurgical instruments, as shown in the embodiment of the data circuit 290-2 of FIG. 30.

In certain embodiments, multiple capacitors C1 for allowing interrogation at multiple frequencies could be used to differentiate between a larger number of distinct R1 values for a given signal-to-noise ratio, or for a given set of component tolerances. In one such embodiment, inductors may be placed in series with all but the lowest value of C1 to create specific pass bands for different interrogation frequencies, as shown in the embodiment of the data circuit 290-3 in FIG. 31.

In embodiments of control circuits based on the control circuit 280 of FIG. 14, identification resistors may be measured without the need for frequency band separation. FIG. 32 illustrates one such embodiment, with R1 selected to have a relatively high value.

FIGS. 33D-33I illustrate embodiments of multi-conductor cables and adaptors that may be used to establish electrical communication between the generator 102 and a handpiece of a surgical device. In particular, the cables may transmit the generator drive signal to surgical device and enable control-based communications between the generator 102 and a control circuit of the surgical device. In certain embodiments, the cables may be integrally formed with the surgical device or configured for removable engagement by a suitable connector of the surgical device. Cables 112-1, 112-2 and 112-3 (FIGS. 33E-33G, respectively) may be configured for use with an ultrasonic surgical device (e.g., ultrasonic surgical device 104), and cable 128-1 (FIG. 33D) may be configured for use with an electrosurgical device (e.g., electrosurgical device 106). One or more of the cables may be configured to connect directly with the generator 102, such as cable 112-1, for example. In such embodiments, the cable may comprise a data circuit (e.g., data circuit 206) for storing information pertaining to the particular surgical device with which it is associated (e.g., a model number, a serial number, a number of operations in which the surgical device has been used, and/or any other type of information). In certain embodiments, one or more of the cables may connect to the generator 102 via an adaptor. For example, cables 112-2 and 112-3 may connect to the generator 102 via a first adaptor 292 (FIG. 33I), and cable 128-1 may connect

to the generator 102 via a second adaptor 294 (FIG. 33H). In such embodiments, a data circuit (e.g., data circuit 206) may be disposed in the cable (e.g., cables 112-2 and 112-3) or in the adaptor (e.g., second adaptor 294).

In various embodiments, the generator 102 may be electrically isolated from the surgical devices 104, 106 in order to prevent undesired and potentially harmful currents in the patient. For example, if the generator 102 and the surgical devices 104, 106 were not electrically isolated, voltage provided to the devices 104, 106 via the drive signal could potentially change the electrical potential of patient tissue being acted upon by the device or devices 104, 106 and, thereby, result in undesired currents in the patient. It will be appreciated that such concerns may be more acute when using an ultrasonic surgical device 104 that is not intended to pass any current through tissue. Accordingly, the remainder of the description of active cancellation of leakage current is described in terms of an ultrasonic surgical device 104. It will be appreciated, however, that the systems and methods described herein may be applicable to electrosurgical devices 106 as well.

According to various embodiments, an isolation transformer, such as the isolation transformer 156, may be used to provide electrical isolation between the generator 102 and the surgical device 104. For example, the transformer 156 may provide isolation between the non-isolated stage 154 and the isolated stage 152 described above. The isolated stage 154 may be in communication with the surgical device 104. The drive signal may be provided by the generator 102 (e.g., the generator module 108) to the primary winding 164 of the isolation transformer 156 and provided to the surgical device 104 from the secondary winding 158 of the isolation transformer. Considering the non-idealities of real transformers, however, this arrangement may not provide complete electrical isolation. For example, a real transformer may have stray capacitance between the primary and secondary windings. The stray capacitance may prevent complete electrical isolation and allow electrical potential present on the primary winding to affect the potential of the secondary winding. This may result in leakage currents within the patient.

Contemporary industry standards, such as the International Electrotechnical Commission (IEC) 60601-1 standard limit allowable patient leakage current to 10  $\mu$ A or less. Leakage current may be passively reduced by providing a leakage capacitor between the secondary winding of the isolation transformer and ground (e.g., earth ground). The leakage capacitor may operate to smooth changes in patient-side potential coupled from the non-isolated side via the stray capacitance of the isolation transformer and thereby reduce leakage current. As the voltage, current, power and/or frequency of the drive signal provided by the generator 102 increase, however, the leakage current may also increase. In various embodiments, induced leakage current may increase beyond the capability of a passive leakage capacitor to keep it below 10  $\mu$ A and/or other leakage current standards.

Accordingly, various embodiments are directed to systems and methods for actively cancelling leakage current. FIG. 34 illustrates one embodiment of a circuit 800 for active cancellation of leakage current. The circuit 800 may be implemented as a part of or in conjunction with the generator 102. The circuit may comprise an isolation transformer 802 having a primary winding 804 and a secondary winding 806. The drive signal 816 may be provided across the primary winding 804, generating an isolated drive signal across the secondary winding 806. In addition to the isolated drive signal, stray capacitance 808 of the isolation trans-



former **802** may couple some component of the potential of the drive signal relative to ground **818** to the secondary winding **806** on the patient side.

A leakage capacitor **810** and active cancellation circuit **812** may be provided, as shown, connected between the secondary winding **806** and ground **818**. The active cancellation circuit **812** may generate an inverse drive signal **814** that may be about 180° out of phase with the drive signal **816**. The active cancellation circuit **812** may be electrically coupled to the leakage capacitor **810** to drive the leakage capacitor to a potential that, relative to ground **818**, is about 180° out of phase with the drive signal **816**. Accordingly, electrical charge on the patient-side secondary winding **806** may reach ground **818** via the leakage capacitor **810** instead of through the patient, reducing leakage current. According to various embodiments, the leakage capacitor **810** may be designed to meet adequate, industry, government and/or design standards for robustness. For example, the leakage capacitor **810** may be a Y-type capacitor complying with the IEC 60384-14 standard and/or may comprise multiple physical capacitors in series.

FIG. **35** illustrates one embodiment of a circuit **820** that may be implemented by the generator **102** to provide active cancellation of leakage current. The circuit **820** may comprise a generator circuit **824** and a patient-side circuit **822**. The generator circuit **824** may generate and/or modulate the drive signal, as described herein. For example, in some embodiments, the generator circuit **824** may operate similar to the non-isolated stage **154** described above. Also, for example, the patient-side circuit **822** may operate similar to the isolated state **152** described above.

Electrical isolation between the generator circuit **824** and the patient-side circuit **822** may be provided by an isolation transformer **826**. The primary winding **828** of the isolation transformer **826** may be coupled to the generator circuit **824**. For example, the generator circuit **824** may generate the drive signal across the primary winding **828**. The drive signal may be generated across the primary winding **828** according to any suitable method. For example, according to various embodiments, the primary winding **828** may comprise a center tap **829** that may be held to a DC voltage (e.g., 48 volts). The generator circuit **824** may comprise output stages **825**, **827** that are, respectively, coupled to the other ends of the primary winding **828**. Output stages **825**, **827** may cause currents corresponding to the drive signal to flow in the primary winding **828**. For example, positive portions of the drive signal may be realized when the output stage **827** pulls its output voltage lower than the center tap voltage, causing the output stage **827** to sink current from across the primary winding **828**. A corresponding current may be induced in the secondary winding **830**. Likewise, negative portions of the drive signal may be implemented when the output stage **827** pulls its output voltage lower than the center tap voltage, causing the output stage **825** to sink an opposite current across the primary winding **828**. This may induce a corresponding, opposite current in the secondary winding **830**. The patient-side circuit **822** may perform various signal conditioning and/or other processing to the isolated drive signal, which may be provided to a device **104** via output lines **821**, **823**.

An active cancellation transformer **832** may have a primary winding **834** and a secondary winding **836**. The primary winding **834** may be electrically coupled to the primary winding **828** of the isolation transformer **826** such that the drive signal is provided across the winding **834**. For example, the primary winding **834** may comprise two windings **843**, **845**. A first end **835** of the first winding **845** and

a first end **839** of the second winding **843** may be electrically coupled to the center tap **829** of the winding **828**. A second end **841** of the first winding **845** may be electrically coupled to the output stage **827**, while a second end **837** of the second winding **843** may be electrically coupled to the output stage **825**. The secondary winding **836** of the cancellation transformer **832** may be coupled to ground **818** and to a first electrode of a cancellation capacitor **840**. The other electrode of the cancellation capacitor **840** may be coupled to the output line **823**. An optional load resistor **838** may also be electrically coupled in parallel across the secondary winding **836**.

According to various embodiments, the secondary winding **836** of the active cancellation transformer may be wound and/or wired to the other components **840**, **838**, **818**, such that its polarity is opposite the polarity of the primary winding **834**. For example, an inverse drive signal may be induced across the secondary winding **836**. Relative to ground **818**, the inverse drive signal may be 180° out of phase with the drive signal provided across the primary winding **834** of the active cancellation transformer **832**. In conjunction with the load resistor **838**, the secondary winding **836** may provide the inverse drive signal at the cancellation capacitor **840**. Accordingly, charge causing leakage potential appearing at the patient-side circuit **822** due to the drive signal may be drawn to the cancellation capacitor **840**. In this way, the capacitor **840**, secondary winding **836** and load resistor **838** may sink potential leakage current to ground **818**, minimizing patient leakage current.

According to various embodiments, the parameters of the components **832**, **838**, **840** may be selected to maximize leakage current cancellation and, in various embodiments, to lessen electromagnetic emissions. For example, the active cancellation transformer **832** may be made from materials and according to a construction that allows it to match the frequency, temperature, humidity and other characteristics of the isolation transformer **826**. Other parameters of the active transformer **832** (e.g., number of turns, turn ratios, etc.) may be selected to achieve a balance between minimizing output-induced current, electromagnetic (EM) emissions and leakage current due to applied external voltage. For example, the circuit **820** may be configured to meet the IEC 60601 or other suitable industry or government standards. The value of the load resistor **838** may be similarly chosen. In addition, the parameters of the cancellation capacitor **840** (e.g., capacitance, etc.) may be selected to match, as well as possible, the characteristics of the stray capacitances responsible for the inducing leakage current.

FIG. **36** illustrates an alternate embodiment of a circuit **842** that may be implemented by the generator **102** to provide active cancellation of leakage current. The circuit **842** may be similar to the circuit **820**, however, the secondary winding **836** of the active cancellation transformer **832** may be electrically coupled to the output line **823**. The cancellation capacitor **823** may be connected in series between the secondary winding **836** and ground **818**. The circuit **842** may operate in a manner similar to that of the circuit **820**. According to various embodiments, (e.g., when the active cancellation transformer **832** is a step-up transformer), the total working voltage, for example, as defined in IEC 60601-1, may be minimized.

FIG. **37** illustrates an alternate embodiment of a circuit **844** that may be implemented by the generator **102** to provide active cancellation of leakage current. The circuit **844** may omit the active cancellation transformer **832** and replace it with a second secondary winding **846** of the isolation transformer **826**. The second secondary winding



**846** may be connected to the output line **823**. The cancellation capacitor **840** may be connected in series between the second secondary winding **846** and ground. The second secondary winding may be wound and or wired with a polarity opposite that of the primary winding **828** and the secondary winding **830**. Accordingly, when the drive signal is present across the primary winding **828**, the inverse drive signal, as described above, may be present across the secondary winding **846**. Accordingly, the circuit **844** may cancel leakage current in a manner similar to that described above with respect to the circuits **820** and **842**. Omitting the active cancellation transformer **832**, as shown in circuit **844**, may reduce part count, cost and complexity.

FIG. **38** illustrates yet another embodiment of a circuit **848** that may be implemented by the generator **102** to provide active cancellation of leakage current. The circuit **848** may be configured to cancel extraneous currents in the patient side circuit **822** due to capacitive coupling, as described above, as well as other external effects such as, for example, frequency-specific effects (e.g., 60 Hz or other frequency noise from power supplies), path effects, load effects, etc. Instead of being electrically coupled to ground **818**, the cancellation capacitor **840**, as shown in the circuit **848**, may be coupled to an correction control circuit **851**. The circuit **851** may comprise a digital signal processor (DSP) **850** or other processor. The DSP **850** may receive inputs **858** (e.g., via an analog-to-digital converter). The inputs **858** may be values tending to indicate external effects that may cause additional leakage current. Examples of such inputs may be, for example, power supply parameters, load data such as impedance, impedance or other values describing the path from the circuit **848** to the device **104**, etc. Based on the inputs **858**, the DSP **85** may derive a cancellation potential that, when provided to the cancellation capacitor **840**, may cancel patient-side currents due to the external effects. The cancellation potential may be provided, digitally, to digital-to-analog converter **852**, which may provide an analog version of the cancellation potential to the cancellation capacitor **840**. Accordingly, the voltage drop across the cancellation capacitor **840** may be a function of the inverse drive signal, present across the second secondary winding **846** and the cancellation potential found by the circuit **851**.

The circuit **848** is shown with the active cancellation transformer **832** omitted and the capacitor **840** and second secondary winding **846** in the configuration of the circuit **844**. It will be appreciated, however, that the correction control circuit **851** may be utilized in any of the configurations described herein (e.g., **820**, **842**, **844**, etc.). For example, the correction control circuit **851** may be substituted for ground **818** in any of the circuits **820**, **842**, **844**.

FIG. **39** illustrated an embodiment of a circuit **860** that may be implemented by the generator **102** to provide cancellation of leakage current. According to the circuit **860**, the cancellation capacitor **840** may be connected between the primary winding **828** of the isolation transformer **826** and the output line **823** (e.g., the common output line). In this way, the inverse of the drive signal may appear across the cancellation capacitor **840**, bringing about a similar leakage current cancellation effect to those described above.

FIG. **40** illustrates another embodiment of a circuit **862** that may be implemented by the generator **102** to provide cancellation of leakage current. The circuit **862** may be similar to the circuit **860** with the exception that the cancellation capacitor may be connected between the output line **823** (e.g., the common output line) and two additional capacitors **864**, **866**. Capacitor **864** may be connected

between the cancellation capacitor **840** and the primary winding **828** of the isolation transformer **826**. Capacitor **866** maybe connected between the cancellation capacitor **840** and ground **818**. The combination of the capacitors **864**, **866** may provide a radio frequency (RF) path to ground that may enhance the RF performance of the generator **102** (e.g., by decreasing electromagnetic emissions).

A surgical generator, such as the generator **102** schematically illustrated in FIG. **10**, for example, may be electrically coupled to a variety of surgical instruments. The surgical instruments may include, for example, both RF-based instruments and ultrasonic-based devices. FIG. **41** illustrates a receptacle and connector interface **900** in accordance with one non-limiting embodiment. In one embodiment, the interface **900** comprises a receptacle assembly **902** and a connector assembly **920**. The connector assembly **920** may be electrically coupled to the distal end of a cable **921** that is ultimately connected to a handheld surgical instrument, for example. FIG. **59** illustrates a surgical generator **1050** in accordance with one non-limiting embodiment. The surgical generator **1050** may comprise a surgical generator body **1052** that generally includes the outer shell of the generator. The surgical body **1052** may define an aperture **1054** for receiving a receptacle assembly, such as the receptacle assembly **1058** illustrated in FIG. **59**. Referring now to FIGS. **41** and **59**, the receptacle assembly **902** may comprise a seal **906** to generally prevent fluid ingress into the surgical generator **1050** by was of the aperture **1054**. In one embodiment, the seal **906** is an epoxy seal.

FIG. **42** is an exploded side view of the receptacle assembly **902** in accordance with one non-limiting embodiment. The receptacle assembly **902** may include a variety of components, such as a magnet **212**, for example. The receptacle assembly **902** may also comprise a plurality of sockets **908** that may be arranged in a generally circular formation, or any other suitable formation. FIG. **48** is an enlarged view of a socket **908** in accordance with one non-limiting embodiment. In one embodiment, the socket **908** is bifurcated and the receptacle assembly **902** includes nine bifurcated sockets **908**, while greater or few sockets may be utilized in other embodiments. Each of the sockets **908** may define an inner cavity **910** for receiving electrically conductive pins, as discussed in more detail below. In some embodiments, various sockets **908** will be mounted within the receptacle assembly **902** at different elevations such that certain sockets are contacted prior to other sockets when a connector assembly is inserted into the receptacle assembly.

FIG. **43** is an exploded side view of the connector assembly **920** in accordance with one non-limiting embodiment. The connector assembly **920** may comprise, for example, a connector body **922** that includes an insertion portion **924** that is sized to be received by the receptacle assembly **902**, as described in more detail below. The connector assembly **920** may comprise a variety of other components, such as a ferrous pin **926**, a circuit board **928**, and a plurality of electrically conductive pins **930**. As shown in FIG. **54**, the ferrous pin **926** may be cylindrical. In other embodiments, the ferrous pin **926** may be other shapes, such as rectangular, for example. The ferrous pin **926** may be steel, iron, or any other magnetically compatible material that is attracted to magnetic fields or that may be magnetizable. The ferrous pin **926** may also have a shoulder **927**, or other type of laterally extending feature. Referring now to FIG. **55**, the electrical conductive pins **930** may be affixed to and extend from the circuit board **928**. The circuit board **928** may also include device identification circuitry, such as the circuits illustrated in FIGS. **33E-33G**, for example. Thus, in



various embodiments, the circuit board **928** may carry EEPROM, resistors, or any other electrical components. In some embodiments, portions of the circuit board **928** may be potted, or otherwise encapsulated, to improve the sterility of the surgical device and assist in water resistance.

Referring again to FIG. **43**, the connector assembly **920** may also include a strain relief member **932**. As shown in FIG. **56**, the strain relief member **932** generally accepts cable loading to prevent that loading from being applied to the circuit board **928** and/or the sockets **908**. In some embodiments, the strain relief member **932** may include an alignment notch **934** to aid in assembly. Referring again to FIG. **43**, the connector assembly **920** may also include a boot **936** that is coupled to the connector body **922**. FIG. **57** illustrates the boot **936** in accordance with one non-limiting embodiment. The boot **936** may generally serve as bend relief for an associated cable and assist in sealing the connector assembly **920**. In some embodiments, the boot **936** may snap onto the connector body **922**. For autoclave applications, the boot **936** may be an overmolded component. In other embodiments, other attachment techniques may be used, such as adhesives or spin welding, for example.

FIG. **44** is a perspective view of the receptacle assembly **902** shown in FIG. **41**. FIG. **45** is an exploded perspective view of the receptacle assembly **902**. FIG. **46** is a front elevation view of the receptacle assembly **902**. FIG. **47** is a side elevation view of the receptacle assembly **902**. Referring to FIGS. **44-47**, the receptacle assembly **902** may comprise a flange **950**. The flange **950** may have an inner wall **952** and an outer wall **954**. Spanning the inner wall **952** and the outer wall **954** is a flange surface **956**. The inner wall **952** may include at least one curved portion and at least one linear portion. The inner wall **952** of the flange **950** defines a cavity **960** having a unique geometry. In one embodiment, the cavity **960** is defined by about 270 degrees of a circle and two linear segments that are tangential to the circle and intersect to form an angle  $\ominus$ . In one embodiment, angle  $\ominus$  is about 90 degrees. In one embodiment, a central protruding portion **962** having an outer periphery **964** is positioned in the cavity **960**. The central protruding portion **962** may have a central surface **966** that defines a recess **968**. The magnet **912** (FIG. **42**) may be positioned proximate the recess **968**. As illustrated, the sockets **908** may be positioned through apertures **972** defined by the central surface **966** of the central protruding portion **962**. In embodiments utilizing a circular arrangement of sockets **908**, the magnet **912** may be positioned internal to the circle defined by the sockets. The receptacle body **904** may also define a rear recess **976** (FIG. **47**). The rear recess **976** may be sized to receive the seal **906**. The flange face **966** may be slanted at an angle  $\beta$  (FIG. **47**). As illustrated in FIG. **61**, a face of the body **1052** of the surgical generator **1050** also may be slanted at the angle  $\beta$  as well.

FIG. **49** is a perspective view of the connector assembly **920** and FIG. **50** is an exploded perspective view of the connector assembly **920**. FIG. **51** is a side elevation view of the connector body **922** with FIGS. **52** and **53** illustrating perspective views of the distal and proximal ends, respectively, of the connector body **922**. Referring now to FIGS. **49-53**, connector body **922** may have a flange **980**. The flange **980** may comprise at least one curved portion and at least one linear portion.

The adapter assemblies **1002** and **1004** may comprise substantially the similar components that are contained by the connector body **922** (FIG. **50**). For example, the adapter assemblies **1002** and **1004** may each house a circuit board

with device identification circuitry. The adapter assemblies **1002** and **1004** may also each house one of a ferrous pin and a magnet to aid in the connection with the surgical generator. An outer wall **982** of the flange **980** may generally be shaped similarly to the inner wall **952** of the receptacle assembly **902** (FIG. **46**). An inner wall **984** of the flange **980** may be shaped similarly to the outer periphery **964** of the central protruding portion **962**. The connector body **922** may also have a wall **988** that includes a plurality of apertures **990**. The apertures **990** may be sized to receive the electrically conductive pins **930** and the ferrous pin **926**. In one embodiment, the shoulder **927** of the ferrous pin **926** is sized so that it can not pass through the aperture **990**. In some embodiments, the ferrous pin **926** may be able to translate with respect to the wall **988**. When assembled, the shoulder **927** of the ferrous pin **926** may be positioned intermediate the wall **988** and the circuit board **928**. The ferrous pin **926** may be positioned such that it encounters the magnetic field of the magnet **912** when the connector assembly **920** is inserted into the receptacle assembly **902**. In some embodiments, a proper connection will be denoted by an audible click when the ferrous pin **926** translates to the wall **988** and strikes the magnet **912**. As is to be appreciated, various components may be positioned intermediate the ferrous pin **926** and the magnet **912**, such as a washer, for example, to reduce incidental wear to the interfacing components. Additionally, in some embodiments the magnet **912** may be coupled to the connector assembly **920** and the ferrous pin **926** may be coupled to the receptacle assembly **902**.

FIG. **58** illustrates two adaptor assemblies **1002** and **1004** in accordance with various non-limiting embodiments. The adaptor assemblies **1002** and **1004** allow of connector assemblies having various geometries to be electrically coupled to a receptacle assembly of a surgical generator. Adaptor assembly **1002** is configured to accommodate a surgical instrument having connector assembly **1006** and adaptor assembly **1004** is configured to accommodate a surgical instrument having a connector assembly **1008**. In one embodiment, the connector assembly **1006** is associated with an RF-based surgical device via a cable **1060** and the connector assembly **1008** is associated with an ultrasonic-based device via a cable **1062**. As is to be appreciated, other embodiments of adaptor assemblies may accommodate surgical instruments have connector assemblies different than those illustrated in FIG. **58**. FIG. **59** illustrates the adaptor assembly **1002** after being inserting into the receptacle assembly **1058** of a surgical generator **1050** in accordance with one non-limiting embodiment. FIG. **60** illustrates the connector assembly **1006** after being inserted into the adaptor assembly **1002** and therefore electrically coupled to the surgical generator **1050**. Similarly, FIG. **61** illustrates the adaptor assembly **1004** after being inserted into the receptacle assembly **1058** of a surgical generator **1050** in accordance with one non-limiting embodiment. FIG. **62** illustrates the connector assembly **1008** after being inserted into the adaptor assembly **1004**. Accordingly, while connector assemblies **1006** and **1008** each having different geometries, both may be used with the surgical generator **1050**.

Referring to FIGS. **58-62**, in one embodiment, the adaptor assembly **1002** has a distal portion **1010** that comprises a flange **1012**. The flange **1012** is configured to be inserted into the receptacle assembly **1058** of the surgical instrument **1050** and may be similar to the flange **980** illustrated in FIG. **52**, for example. Any number of electrically conductive pins, or other connection components, may be positioned in the distal portion to engage the receptacle assembly **1058**. In one embodiment, the adaptor assembly **1002** also has a proximal



portion 1014 that defines a cavity 1016. The cavity 1016 may be configured to accept a particular connector assembly, such as connector assembly 1006. As is to be appreciated, the proximal portion 1014 may be configured appropriately based on the type of connector assembly with which it will be used. In one embodiment, the adaptor assembly 1006 has a distal portion 1020 that comprises a flange 1022. The flange 1022 is configured to be inserted into the receptacle assembly 1058 of the surgical instrument 1050 and may be similar to the flange 980 illustrated in FIG. 52, for example. The adaptor assembly 1004 also has a proximal portion 1024 that defines a cavity 1026. In the illustrated embodiment, the central portion 1028 is positioned in the cavity 1026 and is configured to accept the connector assembly 1008.

FIG. 63 illustrates a perspective view of a back panel 1100 of a generator 1102 in accordance with one non-limiting embodiment. The generator 1102 may be similar to generator 102 illustrated in FIG. 10, for example. The back panel 1100 may comprise various input and/or output ports 1104. The back panel 1110 may also comprise an electronic paper display device 1106. The electronic paper display device 1106 may be based on electrophoresis in which an electromagnetic field is applied to a conductive material such that the conductive material has mobility. Micro particles having conductivity are distributed between thin-type flexible substrates, and positions of the micro particles (or toner particles) are changed due to the change of the polarities of an electromagnetic field, whereby data is displayed. The technical approach to realize the electronic paper may be accomplished using any suitable technique, such as liquid crystals, organic electro luminescence (EL), reflective film reflection-type display, electrophoresis, twist balls, or mechanical reflection-type display, for example.

Generally, electrophoresis is a phenomenon in which, when particles are suspended in a medium (i.e., a dispersion medium), the particles are electrically charged, and, when an electric field is applied to the charged particles, the particles move to an electrode having opposite charge through the dispersion medium. Further discussion regarding electronic paper display devices may be found in U.S. Pat. No. 7,751,115 entitled ELECTRONIC PAPER DISPLAY DEVICE, MANUFACTURING METHOD AND DRIVING METHOD THEREOF, the entirety of which is incorporated by reference.

FIG. 64 illustrates the back panel 1110 illustrated in FIG. 63. FIGS. 65 and 66 provide enlarged views of the back panel 1110. Referring to FIGS. 64-66, the electronic paper display device 1106 may display a variety of information, such as a serial number, part number, patent numbers, warning labels, port identifiers, instructions, vendor information, service information, manufacturer information, operational information, or any other type of information. In one embodiment, the information displayed on the electronic paper display device 1106 may be changed or updated through connecting a computing device to a communication port (e.g., a USB port) of the generator 1102.

As shown in FIG. 66, in some embodiments, the back panel 1100 may comprise an interactive portion 1108. In one embodiment, the interactive portion 1108 allows a user to input information to the generator 1102 using input devices, such as buttons 1110. The interactive portion 1108 may also display information that is simultaneously displayed on a front panel (not shown) of the generator 1102.

In a surgical procedure utilizing an ultrasonic surgical device, such as the ultrasonic surgical device 104, the end effector 126 transmits ultrasonic energy to tissue brought into contact with the end effector 126 to realize cutting and

sealing action. The application of ultrasonic energy in this manner may cause localized heating of the tissue. Monitoring and controlling such heating may be desirable to minimize unintended tissue damage and/or to optimize the effectiveness of the cutting and sealing action. Direct measurement of ultrasonic heating requires temperature sensing devices in or near the end effector 126. Although sensor-based measurements of ultrasonic heating is technically feasible, design complexity and other considerations may make direct measurement impractical. Various embodiments of the generator 102 may address this problem by generating an estimate of temperature or heating resulting from an application of ultrasonic energy.

In particular, one embodiment of the generator 102 may implement an artificial neural network to estimate ultrasonic heating based on a number of input variables 1218. Artificial neural networks are mathematical models that learn complex, nonlinear relationships between inputs and outputs based on exposure to known input and output patterns, a process commonly referred to as "training." An artificial neural network may comprise a network of simple processing units, or nodes, connected together to perform data processing tasks. The structure of an artificial neural network may be somewhat analogous to the structure of biological neural networks in the brain. When an artificial neural network is presented with an input data pattern, it produces an output pattern. An artificial neural network may be trained for a specific processing task by presentation of large amounts of training data. In this way, the artificial neural network may modify its structure by changing the "strength" of communication between nodes to improve its performance on the training data.

FIG. 67 illustrates one embodiment of an artificial neural network 1200 for generating an estimated temperature  $T_{est}$  resulting from an application of ultrasonic energy using an ultrasonic surgical device, such as the ultrasonic surgical device 104. In certain embodiments, the neural network may be implemented in the processor 174 and/or the programmable logic device 166 of the generator 102. The neural network 1200 may comprise an input layer 1202, one or more nodes 1204 defining a hidden layer 1206, and one or more nodes 1208 defining an output layer 1210. For the sake of clarity, only one hidden layer 1206 is shown. In certain embodiments, the neural network 1200 may comprise one or more additional hidden layers in a cascaded arrangement, with each additional hidden layer having a number of nodes 1204 that may be equal to or different from the number of nodes 1204 in the hidden layer 1206.

Each node 1204, 1208 in the layers 1202, 1210 may include one or more weight values  $w$  1212, a bias value  $b$  1214, and a transform function  $f$  1216. In FIG. 67, the use of different subscripts for these values and functions is intended to illustrate that each of these values and functions may be different from the other values and functions. The input layer 1202 comprises one or more input variables  $p$  1218, with each node 1204 of the hidden layer 1206 receiving as input at least one of the input variables  $p$  1218. As shown in FIG. 67, for example, each node 1204 may receive all of the input variables  $p$  1218. In other embodiments, less than all of the input variables  $p$  1218 may be received by a node 1204. Each input variable  $p$  1218 received by a particular node 1204 is weighted by a corresponding weight value  $w$  1212, then added to any other similarly weighted input variables  $p$  1218, and to the bias value  $b$  1214. The transform function  $f$  1216 of the node 1204 is then applied to the resulting sum to generate the node's output. In FIG.



67, for example, the output of node 1204-1 may be given as  $f_1(n_1)$ , where  $n_1=(w_{1,1} \cdot p_1+w_{1,2} \cdot p_2+ \dots w_{1,j} \cdot p_j)+b_1$ .

A particular node 1208 of the output layer 1210 may receive an output from one or more of the nodes 1204 of the hidden layer 1206 (e.g., each node 1208 receives outputs 5  $f_1(\bullet)$ ,  $f_2(\bullet)$ , . . . ,  $f_i(\bullet)$  from respective nodes 1204-1, 1204-2, . . . , 1204-i in FIG. 67), with each received output being weighted by a corresponding weight value w 1212 and subsequently added to any other similarly weighted received outputs, and to a bias value b 1214. The transform function 10  $f$  1216 of the node 1208 is then applied to the resulting sum to generate the node's output, which corresponds to an output of the neural network 1200 (e.g., the estimated temperature  $T_{est}$  in the embodiment of FIG. 67). Although the embodiment of the neural network 1200 in FIG. 67 comprises only one node 1208 in the output layer 1210, in other embodiments the neural network 1200 may comprise more than one output, in which case the output layer 1210 may comprise multiple nodes 1208.

In certain embodiments, the transform function  $f$  1216 of a node 1204, 1208 may be a nonlinear transfer function. In one embodiment, for example, one or more of the transform functions  $f$  1216 may be a sigmoid function. In other embodiments, the transform functions  $f$  1216 may include a tangent sigmoid, a hyperbolic tangent sigmoid, a logarithmic sigmoid, a linear transfer function, a saturated linear transfer function, a radial basis transfer function, or some other type of transfer function. The transform function  $f$  1216 of a particular node 1204, 1208 may be the same as, or different from, a transform function  $f$  1216 in another node 1204, 1208.

In certain embodiments, the input variables p 1218 received by the nodes 1204 of the hidden layer 1206 may represent, for example, signals and/or other quantities or conditions known or believed to have an effect on the temperature or heating resulting from an application of ultrasonic energy. Such variables may comprise, for example, one or more of: drive voltage output by the generator 102, drive current output by the generator 102, drive frequency of the generator output 102, drive power output by the generator 102, drive energy output by the generator 102, impedance of the ultrasonic transducer 114, and time duration over which ultrasonic energy is applied. Additionally, one or more of the input variables p 1218 may be unrelated to outputs of the generator 102 and may comprise, for example, characteristics of the end effector 126 (e.g., blade tip size, geometry, and/or material) and a particular type of tissue targeted by the ultrasonic energy.

The neural network 1200 may be trained (e.g., by changing or varying the weight values w 1212, the bias values b 1214, and the transform functions  $f$  1216) such that its output (e.g., estimated temperature  $T_{est}$  in the embodiment of FIG. 67) suitably approximates a measured dependency of the output for known values of the input variables p 1218. Training may be performed, for example, by supplying known sets of input variables p 1218, comparing output of the neural network 1200 to measured outputs corresponding to the known sets of input variables p 1218, and modifying the weight values w 1212, the bias values b 1214, and/or the transform functions  $f$  1216 until the error between the outputs of the neural network 1200 and the corresponding measured outputs is below a predetermined error level. For example, the neural network 1200 may be trained until the mean square error is below a predetermined error threshold. In certain embodiments, aspects of the training process may be implemented by the neural network 1200 (e.g., by propa-

gating errors back through the network 1200 to adaptively adjust the weight values w 1212 and/or the bias values b 1214).

FIG. 68 illustrates a comparison between estimated temperature values  $T_{est}$  and measured temperature values  $T_m$  for an implementation of one embodiment of the neural network 1200. The neural network 1200 used to generate  $T_{est}$  in FIG. 68 comprised six input variables p 1218: drive voltage, drive current, drive frequency, drive power, impedance of the ultrasonic transducer, and time duration over which ultrasonic energy was applied. The hidden layer 1206 comprised 25 nodes, and the output layer 1210 comprised a single node 1208. Training data was generated based on 13 applications of ultrasonic energy to carotid vessels. Actual temperature 15 ( $T_m$ ) was determined based on IR measurements over a 250-sample range for varying values of the input variables p 1218, with estimated temperatures  $T_{est}$  being generated by the neural network 1200 based on corresponding values of the input variables p 1218. The data shown in FIG. 68 was generated on a run that was excluded from the training data. The estimated temperatures  $T_{est}$  demonstrate a reasonably accurate approximation of the measured temperatures  $T_m$  in the region of 110-190° F. It is believed that inconsistencies in estimated temperatures  $T_{est}$  appearing in certain regions, such as the region following 110° F., may be minimized or reduced by implementing additional neural networks specific to those regions. Additionally, inconsistencies in the data that may skew the trained output of the neural network 1200 may be identified and programmed in as special cases to further improve performance.

In certain embodiments, when the estimated temperature exceeds a user-defined temperature threshold  $T_{th}$ , the generator 102 may be configured to control the application of ultrasonic energy such that the estimated temperature  $T_{est}$  is maintained at or below the temperature threshold  $T_{th}$ . For example, in embodiments in which the drive current is an input variable p 1218 to the neural network 1200, the drive current may be treated as a control variable and modulated to minimize or reduce the difference between  $T_{est}$  and  $T_{th}$ . Such embodiments may be implemented using a feedback control algorithm (e.g., a PID control algorithm), with  $T_{th}$  being input to the control algorithm as a setpoint,  $T_{est}$  being input to the algorithm as process variable feedback, and drive current corresponding to the controlled output of the algorithm. In cases where the drive current serves as the control variable, suitable variations in drive current value should be represented in the sets of input variables p 1218 used to train the neural network 1200. In particular, the effectiveness of drive current as a control variable may be reduced if the training data reflects constant drive current values, as the neural network 1200 may reduce the weight values w 1212 associated with drive current due to its apparent lack of effect on temperature. It will be appreciated that input variables p 1218 other than drive current (e.g., drive voltage) may be used to minimize or reduce the difference between  $T_{est}$  and  $T_{th}$ .

According to various embodiments, the generator 102 may provide power to a tissue bite according to one or more power curves. A power curve may define a relationship between power delivered to the tissue and the impedance of the tissue. For example as the impedance of the tissue changes (e.g., increases) during coagulation, the power provided by the generator 102 may also change (e.g., decrease) according to the applied power curve.

Different power curves may be particularly suited, or ill-suited, to different types and/or sizes of tissue bites. Aggressive power curves (e.g., power curves calling for high



power levels) may be suited for large tissue bites. When applied to smaller tissue bites, such as small vessels, more aggressive power curves may lead to exterior searing. Exterior searing may reduce the coagulation/weld quality at the exterior and can also prevent complete coagulation of interior portions of the tissue. Similarly, less aggressive power curves may fail to achieve hemostasis when applied to larger tissue bites (e.g., larger bundles).

FIG. 69 illustrates one embodiment of a chart 1300 showing example power curves 1306, 1308, 1310. The chart 1300 comprises an impedance axis 1302 illustrating increasing potential tissue impedances from left to right. A power axis 1304 illustrates increasing power from down to up. Each of the power curves 1306, 1308, 1310 may define a set of power levels, on the power axis 1304, corresponding to a plurality of potential sensed tissue impedances, in the impedance axis 1302. In general, power curves may take different shapes, and this is illustrated in FIG. 69. Power curve 1306 is shown with a step-wise shape, while power curves 1308, 1310 are shown with curved shapes. It will be appreciated that power curves utilized by various embodiments may take any usable continuous or non-continuous shape. The rate of power delivery or aggressiveness of a power curve may be indicated by its position on the chart 1300. For example, power curves that deliver higher power for a given tissue impedance may be considered more aggressive. Accordingly, between two power curves, the curve positioned highest on the power axis 1304 may be the more aggressive. It will be appreciated that some power curves may overlap.

The aggressiveness of two power curves may be compared according to any suitable method. For example, a first power curve may be considered more aggressive than a second power curve over a given range of potential tissue impedances if the first power curve has a higher delivered power corresponding to at least half of the range of potential tissue impedances. Also, for example, a first power curve may be considered more aggressive than a second power curve over a given range of potential tissue impedances if the area under the first curve over the range is larger than the area under the second curve over the range. Equivalently, when power curves are expressed discretely, a first power curve may be considered more aggressive than a second power curve over a given set of potential tissue impedances if the sum of the power values for the first power curve over the set of potential tissue impedances is greater than the sum of the power values for the second power curve over the set of potential tissue impedances.

According to various embodiments, the power curve shifting algorithms described herein may be used with any kind of surgical device (e.g., ultrasonic device 104, electro-surgical device 106). In embodiments utilizing an ultrasonic device 104, tissue impedance readings may be taken utilizing electrodes 157, 159. With an electro-surgical device, such as 106, tissue impedance readings may be taken utilizing first and second electrodes 177, 179.

In some embodiments, an electro-surgical device 104 may comprise a positive temperature coefficient (PTC) material positioned between one or both of the electrodes 177, 179 and the tissue bite. The PTC material may have an impedance profile that remains relatively low and relatively constant until it reaches a threshold or trigger temperature, at which point the impedance of the PTC material may increase. In use, the PTC material may be placed in contact with the tissue while power is applied. The trigger temperature of the PTC material may be selected such that it corresponds to a tissue temperature indicating the comple-

tion of welding or coagulation. Accordingly, as a welding or coagulation process is completed, the impedance of the PTC material may increase, bringing about a corresponding decrease in power actually provided to the tissue.

It will be appreciated that during the coagulation or welding process, tissue impedance may generally increase. In some embodiments, tissue impedance may display a sudden impedance increase indicating successful coagulation. The increase may be due to physiological changes in the tissue, a PTC material reaching its trigger threshold, etc., and may occur at any point in the coagulation process. The amount of energy that may be required to bring about the sudden impedance increase may be related to the thermal mass of the tissue being acted upon. The thermal mass of any given tissue bite, in turn, may be related to the type and amount of tissue in the bite.

Various embodiments may utilize this sudden increase in tissue impedance to select an appropriate power curve for a given tissue bite. For example, the generator 102 may select and apply successively more aggressive power curves until the tissue impedance reaches an impedance threshold indicating that the sudden increase has occurred. For example, reaching the impedance threshold may indicate that coagulation is progressing appropriately with the currently applied power curve. The impedance threshold may be a tissue impedance value, a rate of change of tissue impedance, and/or a combination of impedance and rate of change. For example, the impedance threshold may be met when a certain impedance value and/or rate of change are observed. According to various embodiments, different power curves may have different impedance thresholds, as described herein.

FIG. 70 illustrates one embodiment of a process flow 1330 for applying one or more power curves to a tissue bite. Any suitable number of power curves may be used. The power curves may be successively applied in order of aggressiveness until one of the power curves drives the tissue to the impedance threshold. At 1332, the generator 102 may apply a first power curve. According to various embodiments, the first power curve may be selected to deliver power at a relatively low rate. For example, the first power curve may be selected to avoid tissue searing with the smallest and most vulnerable expected tissue bites.

The first power curve may be applied to the tissue in any suitable manner. For example, the generator 102 may generate a drive signal implementing the first power curve. The power curve may be implemented by modulating the power of the drive signal. The power of the drive signal may be modulated in any suitable manner. For example, the voltage and/or current of the signal may be modulated. Also, in various embodiments, the drive signal may be pulsed. For example, the generator 102 may modulate the average power by changing the pulse width, duty cycle, etc. of the drive signal. The drive signal may be provided to the first and second electrodes 177, 179 of the electro-surgical device 106. Also, in some embodiments the drive signal implementing the first power curve may be provided to an ultrasonic generator 114 of the ultrasonic device 104 described above.

While applying the first power curve, the generator 102 may monitor the total energy provided to the tissue. The impedance of the tissue may be compared to the impedance threshold at one or more energy thresholds. There may be any suitable number of energy thresholds, which may be selected according to any suitable methodology. For example, the energy thresholds may be selected to correspond to known points where different tissue types achieve the impedance threshold. At 1334, the generator 102 may



determine whether the total energy delivered to the tissue has met or exceeded a first energy threshold. If the total energy has not yet reached the first energy threshold, the generator 102 may continue to apply the first power curve at 1332.

If the total energy has reached the first energy threshold, the generator 102 may determine whether the impedance threshold has been reached (1336). As described above, the impedance threshold may be a predetermined rate of impedance change (e.g., increase) a predetermined impedance, or combination of the two. If the impedance threshold is reached, the generator 102 may continue to apply the first power curve at 1332. For example, reaching the impedance threshold in the first power curve may indicate that the aggressiveness of the first power curve is sufficient to bring about suitable coagulation or welding.

In the event that the impedance threshold is not reached at 1336, the generator 102 may increment to the next most aggressive power curve at 1338 and apply the power curve as the current power curve at 1332. When the next energy threshold is reached at 1334, the generator 102 again may determine whether the impedance threshold is reached at 1336. If it is to not reached, the generator 102 may again increment to the next most aggressive power curve at 1338 and deliver that power curve at 1332.

The process flow 1330 may continue until terminated. For example, the process flow 1330 may be terminated when the impedance threshold is reached at 1336. Upon reaching the impedance threshold, the generator 102 may apply the then-current power curve until coagulation or welding is complete. Also, for example, the process flow 1330 may terminate upon the exhaustion of all available power curves. Any suitable number of power curves may be used. If the most aggressive power curve fails to drive the tissue to the impedance threshold, the generator 102 may continue to apply the most aggressive power curve until the process is otherwise terminated (e.g., by a clinician or upon reaching a final energy threshold).

According to various embodiments, the process flow 1330 may continue until the occurrence of a termination threshold. The termination threshold may indicate that coagulation and/or welding is complete. For example, the termination threshold may be based on one or more of tissue impedance, tissue temperature, tissue capacitance, tissue inductance, elapsed time, etc. These may be a single termination threshold or, in various embodiments, different power curves may have different termination thresholds. According to various embodiments, different power curves may utilize different impedance thresholds. For example, the process flow 1330 may transition from a first to a second power curve if the first power curve has failed to drive the tissue to a first tissue impedance threshold and may, subsequently, shift from the second to a third power curve if the second power curve has failed to drive the tissue to a second impedance threshold.

FIG. 71 illustrates one embodiment of a chart 1380 showing example power curves 1382, 1384, 1386, 1388 that may be used in conjunction with the process flow 1330. Although four power curves 1382, 1384, 1386, 1388 are shown, it will be appreciated that any suitable number of power curves may be utilized. Power curve 1382 may represent the least aggressive power curve and may be applied first. If the impedance threshold is not reached at the first energy threshold, then the generator 102 may provide the second power curve 1384. The other power curves 1386, 1388 may be utilized, as needed, for example in the manner described above.

As illustrated in FIG. 71, the power curves 1382, 1384, 1386, 1388 are of different shapes. It will be appreciated, however, that some or all of a set of power curves implemented by the process flow 1330 may be of the same shape. FIG. 72 illustrates one embodiment of a chart showing example common shape power curves 1392, 1394, 1396, 1398 that may be used in conjunction with the process flow of FIG. 70. According to various embodiments, common shape power curves, such as 1392, 1394, 1396, 1398 may be constant multiples of one another. Accordingly, the generator 102 may implement the common shape power curves 1392, 1394, 1396, 1398 by applying different multiples to a single power curve. For example, the curve 1394 may be implemented by multiplying the curve 1392 by a first constant multiplier. The curve 1396 may be generated by multiplying the curve 1392 by a second constant multiplier. Likewise, the curve 1398 may be generated by multiplying the curve 1392 by a third constant multiplier. Accordingly, in various embodiments, the generator 102 may increment to a next most aggressive power curve at 1338 by changing the constant multiplier.

According to various embodiments, the process flow 1330 may be implemented by a digital device (e.g., a processor, digital signal processor, field programmable gate array (FPGA), etc.) of the generator 102. Examples of such digital devices include, for example, processor 174, programmable logic device 166, processor 190, etc.). FIGS. 73A-73C illustrate process flows describing routines that may be executed by a digital device of the generator 102 to generally implement the process flow 1330 described above. FIG. 73A illustrates one embodiment of a routine 1340 for preparing the generator 102 to act upon a new tissue bite. The activation or start of the new tissue bite may be initiated at 1342. At 1344, the digital device may point to a first power curve. The first power curve, as described above, may be the least aggressive power curve to be implemented as a part of the process flow 1330. Pointing to the first power curve may comprise pointing to a deterministic formula indicating the first power curve, pointing to a look-up table representing the first power curve, pointing to a first power curve multiplier, etc.

At 1346, the digital device may reset an impedance threshold flag. As described below, setting the impedance threshold flag may indicate that the impedance threshold has been met. Accordingly, resetting the flag may indicate that the impedance threshold has not been met, as may be appropriate at the outset of the process flow 1330. At 1348, the digital device may continue to the next routine 1350.

FIG. 73B illustrates one embodiment of a routine 1350 that may be performed by the digital device to monitor tissue impedance. At 1352, load or tissue impedance may be measured. Tissue impedance may be measured according to any suitable method and utilizing any suitable hardware. For example, according to various embodiments, tissue impedance may be calculated according to Ohm's law utilizing the current and voltage provided to the tissue. At 1354, the digital device may calculate a rate of change of the impedance. The impedance rate of change may likewise be calculated according to any suitable manner. For example, the digital device may maintain prior values of tissue impedance and calculate a rate of change by comparing a current tissue impedance value or values with the prior values. Also, it will be appreciated that the routine 1350 assumes that the impedance threshold is a rate of change. In embodiments where the impedance threshold is a value, 1354 may be omitted. If the tissue impedance rate of change (or impedance itself) is



greater than the threshold (1356), then the impedance threshold flag may be set. The digital device may continue to the next routing at 1360.

FIG. 73C illustrates one embodiment of a routine 1362 that may be performed by the digital device to provide one or more power curves to a tissue bite. At 1364, power may be delivered to the tissue, for example, as described above with respect to 1334 of FIG. 70. The digital device may direct the delivery of the power curve, for example, by applying the power curve to find a corresponding power for each sensed tissue impedance, modulating the corresponding power onto a drive signal provided to the first and second electrodes A20, A22, the transducer 114, etc.

At 1366, the digital device may calculate the total accumulated energy delivered to the tissue. For example, the digital device may monitor the total time of power curve delivery and the power delivered at each time. Total energy may be calculated from these values. At 1368, the digital device may determine whether the total energy is greater than or equal to a next energy threshold, for example, similar to the manner described above with respect to 1334 of FIG. 70. If the next energy threshold is not met, the current power curve may continue to be applied at 1378 and 1364.

If the next energy threshold is met at 1368, then at 1370, the digital device may determine whether the impedance threshold flag is set. The state of the impedance threshold flag may indicate whether the impedance threshold has been met. For example, the impedance threshold flag may have been set by the routine 1350 if the impedance threshold has been met. If the impedance flag is not set (e.g., the impedance threshold is not met), then the digital device may determine, at 1372, whether any more aggressive power curves remain to be implemented. If so, the digital device may point the routine 1362 to the next, more aggressive power curve at 1374. The routine 1362 may continue (1378) to deliver power according to the new power curve at 1364. If all available power curves have been applied, then the digital device may disable calculating and checking of accumulated energy for the remainder of the tissue operation at 1376.

If the impedance flag is set at 1370 (e.g., the impedance threshold has been met), then the digital device may disable calculating and checking of accumulated energy for the remainder of the tissue operation at 1376. It will be appreciated that, in some embodiments, accumulated energy calculation may be continued, while 1370, 1372, 1374, and 1376 may be discontinued. For example, the generator 102 and/or digital device may implement an automated shut-off when accumulated energy reaches a predetermined value.

FIG. 74 illustrates one embodiment of a process flow 1400 for applying one or more power curves to a tissue bite. For example, the process flow 1400 may be implemented by the generator 102 (e.g., the digital device of the generator 102). At 1402, the generator 102 may deliver a power curve to the tissue. The power curve may be derived by applying a multiplier to a first power curve. At 1404, the generator 102 may determine if the impedance threshold has been met. If the impedance threshold has not been met, the generator 102 may increase the multiplier as a function of the total applied energy. This may have the effect of increasing the aggressiveness of the applied power curve. It will be appreciated that the multiplier may be increased periodically or continuously. For example, the generator 102 may check the impedance threshold (1404) and increase the multiplier (1406) at a predetermined periodic interval. In various embodiments, the generator 102 may continuously check the impedance threshold (1404) and increase the multiplier

(1406). Increasing the multiplier as a function of total applied energy may be accomplished in any suitable manner. For example, the generator 102 may apply a deterministic equation that receives total received energy as input and provides a corresponding multiplier value as output. Also, for example, the generator 102 may store a look-up table that comprises a list of potential values for total applied energy and corresponding multiplier values. According to various embodiments, the generator 102 may provide a pulsed drive signal to tissue (e.g., via one of the surgical devices 104, 106). According to various embodiments, when the impedance threshold is met, the multiplier may be held constant. The generator 102 may continue to apply power, for example, until a termination threshold is reached. The termination threshold may be constant, or may depend on the final value of the multiplier.

In some embodiments utilizing a pulsed drive signal, the generator 102 may apply one or more composite load curves to the drive signal, and ultimately to the tissue. Composite load curves, like other power curves described herein, may define a level of power to be delivered to the tissue as a function of a measured tissue property or properties (e.g., impedance). Composite load curves may, additionally, define pulse characteristics, such as pulse width, in terms of the measured tissue properties.

FIG. 75 illustrates one embodiment of a block diagram 1450 describing the selection and application of composite load curves by the generator 102. It will be appreciated that the block diagram 1450 may be implemented with any suitable type of generator or surgical device. According to various embodiments, the block diagram 1450 may be implemented utilizing an electrosurgical device, such as the device 106 described above with respect to FIGS. 4-7. Also, in various embodiments, the block diagram 1450 may be implemented with a ultrasonic surgical device, such as the surgical device 104 described above with respect to FIGS. 2-3. In some embodiments, the block diagram 1450 may be utilized with a surgical device having cutting as well as coagulating capabilities. For example, an RF surgical device, such as the device 106, may comprise a cutting edge, such as the blade 175 for severing tissue either before or during coagulation.

Referring back to FIG. 75, an algorithm 1452 may be executed, for example by a digital device of the generator 102 to select and apply composite load curves 1456, 1458, 1460, 1462. The algorithm 1452 may receive a time input from a clock 1454 and may also receive loop input 1472 from sensors 1468. The loop input 1472 may represent properties or characteristics of the tissue that may be utilized in the algorithm 1452 to select and/or apply a composite load curve. Examples of such characteristics may comprise, for example, current, voltage, temperature, reflectivity, force applied to the tissue, resonant frequency, rate of change of resonant frequency, etc. The sensors 1468 may be dedicated sensors (e.g., thermometers, pressure sensors, etc.) or may be software implemented sensors for deriving tissue characteristics based on other system values (e.g., for observing and/or calculating voltage, current, tissue temperature, etc., based on the drive signal). The algorithm 1452 may select one of the composite load curves 1456, 1458, 1460, 1462 to apply, for example based on the loop input 1472 and/or the time input from the clock 1454. Although four composite load curves are shown, it will be appreciated that any suitable number of composite load curves may be used.

The algorithm 1452 may apply a selected composite load curve in any suitable manner. For example, the algorithm 1452 may use the selected composite load curve to calculate



a power level and one or more pulse characteristics based on tissue impedance (e.g., currently measured tissue impedance may be a part of, or may be derived from, the loop input) or resonant frequency characteristics of a ultrasonic device **104**. Examples of pulse characteristics that may be determined based on tissue impedance according to a composite load curve may include pulse width, ramp time, and off time.

At set point **1464**, the derived power and pulse characteristics may be applied to the drive signal. In various embodiments, a feedback loop **1474** may be implemented to allow for more accurate modulation of the drive signal. At the output of the set point **1464**, the drive signal may be provided to an amplifier **1466**, which may provide suitable amplification. The amplified drive signal may be provided to a load **1470** (e.g., via sensors **1468**). The load **1470** may comprise the tissue, the surgical device **104**, **106**, and/or any cable electrically coupling the generator **102** with the surgical device **104**, **106** (e.g., cables **112**, **128**).

FIG. 76 illustrates shows a process flow illustrating one embodiment of the algorithm **1452**, as implemented by the generator **102** (e.g., by a digital device of the generator **102**). The algorithm **1452** may be activated at **1476**. It will be appreciated that the algorithm **1452** may be activated in any suitable manner. For example, the algorithm **1452** may be activated by a clinician upon actuation of the surgical device **104**, **106** (e.g., by pulling or otherwise actuating a jaw closure trigger **138**, **142**, switch, handle, etc.).

According to various embodiments, the algorithm **1452** may comprise a plurality of regions **1478**, **1480**, **1482**, **1484**. Each region may represent a different stage of the cutting and coagulation of a tissue bite. For example, in the first region **1478**, the generator **102** may perform an analysis of initial tissue conditions (e.g., impedance). In the second region **1480**, the generator **102** may apply energy to the tissue in order to prepare the tissue for cutting. In the third or cut region **1482**, the generator **102** may continue to apply energy while the surgical device **104**, **106** cuts the tissue (e.g., with the electrosurgical device **106**, cutting may be performed by advancing the blade **A18**). In the fourth or completion region **1484**, the generator **102** may apply energy post-cut to complete coagulation.

Referring now to the first region **1478**, the generator **102** may measure any suitable tissue condition or conditions including, for example, current, voltage, temperature, reflectivity, force applied to the tissue, etc. In various embodiments, an initial impedance of the tissue may be measured according to any suitable manner. For example, the generator **102** may modulate the drive signal to provide a known voltage or current to the tissue. Impedance may be derived from the known voltage and the measured current or vice versa. It will be appreciated that tissue impedance may alternately or additionally be measured in any other suitable manner. According to the algorithm **1452**, the generator **102** may proceed from the first region **1478** to the second region **1480**. In various embodiments, the clinician may end the algorithm **1452** in the first region **1478**, for example, by deactivating the generator **102** and/or the surgical device **104**, **106**. If the clinician terminates the algorithm **1542**, RF (and/or ultrasonic) delivery may also be terminated at **1486**.

In the second region **1480**, the generator **102** may begin to apply energy to the tissue via the drive signal to prepare the tissue for cutting. Energy may be applied according to the composite load curves **1456**, **1458**, **1460**, **1462**, as described below. Applying energy according to the second region **1480** may comprise modulating pulses onto the drive signal according to some or all of the composite load curves **1456**, **1458**, **1460**, **1462**. In various embodiments, the com-

posite load curves **1456**, **1458**, **1460**, **1462** may be successively applied in order of aggressiveness (e.g., to accommodate various types of tissue-volume clamped in the instrument jaws).

The first composite load curve **1456** may be applied first. The generator **102** may apply the first composite load curve **1456** by modulating one or more first composite load curve pulses onto the drive signal. Each first composite load curve pulse may have a power and pulse characteristics determined according to the first composite load curve and considering measured tissue impedance. Measured tissue impedance for the first pulse may be the impedance measured at the first region **1478**. In various embodiments, the generator **102** may utilize all or a portion of the first composite load curve pulses to take additional measurements of tissue impedance or resonant frequency. The additional measurements may be used to determine the power and other pulse characteristics of a subsequent pulse or pulses.

FIG. 77 illustrates one embodiment of a process flow **1488** for generating a first composite load curve pulse. The process flow **1488** may be executed by the generator **102** (e.g., by a digital device of the generator **102**), for example, as a part of the algorithm **1452**. At **1490**, the generator **102** may calculate a pulse width ( $T_{pw}$ ). The pulse width may be determined considering the most recent measured tissue impedance ( $Z$ ) and according to the first composite load curve **1456**.

At **1492**, the generator **102** may ramp the power of the drive signal up to a pulse power ( $P_{Limit}$ ) over a ramp time ( $t_{ramp}$ ), thereby applying the pulse to the tissue. The pulse power may be determined, again, considering the most recent measured tissue impedance ( $Z$ ) and according to the first composite load curve **1456**. The ramp time may be determined according to the composite load curve considering tissue impedance or may be constant (e.g., constant for all first composite load curve pulses, constant for all pulses, etc.). The generator **102** may apply the pulse power to the drive signal in any suitable manner including, for example, modulating a current and/or voltage provided by the drive signal. According to various embodiments, the drive signal may be an alternating current (A/C) signal, and therefore the pulse itself may comprise multiple cycles of the drive signal.

The drive signal may be held at the pulse power for the pulse width at **1494**. At the conclusion of the pulse, the drive signal may be ramped down, at **1496**, over a fall time ( $T_{fall}$ ). The fall time may be determined according to the first composite load curve considering tissue impedance, or may be constant (e.g., constant for all first composite load curve pulses, constant for all pulses, etc.). It will be appreciated that, depending on the embodiment, the ramp time and fall time may or may not be considered part of the pulse width. At **1498**, the generator **102** may pause for an off time ( $T_{off}$ ). Like the ramp time and fall time, the off time may be determined according to the first composite load curve considering tissue impedance, or may be constant (e.g., constant for all first composite load curve pulses, constant for all pulses, etc.).

At the completion of the off time, the generator **102** may repeat the process flow **1488** as long as the first composite load curve **1456** is applied. According to various embodiments, the generator **102** may apply the first composite load curve **1456** for a predetermined amount of time. Accordingly, the process flow **1488** may be repeated until the predetermined amount of time has elapsed (e.g., as determined based on the time input received from the clock **1454**). Also, in various embodiments, the first composite



load curve may be applied for a predetermined number of pulses. Because the applied pulse width varies according to measured tissue impedance, the total time that the first composite load curve is applied may also vary with measured tissue impedance. According to various embodiments, the first composite load curve **1456** (as well as the other composite load curves **1458**, **1460**, **1462**) may specify decreasing pulse widths as tissue impedance increases. Therefore, a higher initial tissue impedance may lead to less time spent in the first composite load curve.

Upon completion of the first composite load curve **1456**, the generator **102** may successively apply the remaining consolidated load curves **1458**, **1460**, **1462** throughout the application of the second region **1480**. Each load curve **1458**, **1460**, **1462** may be applied in a manner similar to that of the load curve **1456** described above. For example, pulses according to a current load curve may be generated until the completion of that load curve (e.g., the expiration of a predetermined amount of time or a predetermined number of pulses). The predetermined number of pulses may be the same for each composite load curve **1456**, **1458**, **1460**, **1462** or may be different. According to various embodiments, pulses according to the load curves **1458**, **1460**, **1462** may be generated in a manner similar to process flow **1488**, except that pulse power, pulse width and, in some embodiments, ramp time, fall time, and off time, may be derived according to the current composite load curve.

The second region **1480** may be terminated upon the occurrence of various events. For example, if the total RF application time has exceeded a timeout time, then the generator **102** may end the tissue operation by terminating RF (and/or ultrasonic) delivery at **1486**. Also, various events may cause the generator **102** to transition from the second region **1480** to the third region **1482**. For example, the generator **102** may transition to the third region **1482** when the tissue impedance ( $Z$ ) exceeds a threshold tissue impedance ( $Z_{term}$ ) and RF energy has been delivered for at least more than a minimum time ( $T_{start}$ ). The threshold tissue impedance may be an impedance and/or an impedance rate of change indicating that the tissue bite is adequately prepared for cutting by the blade **175**.

According to various embodiments, if the final load curve **1462** is completed in the second region **1480** before completion of the second region **1480**, then the final power curve **1462** may be continuously applied, for example, until the tissue impedance threshold is met, the maximum second region time is reached and/or the timeout time is reached. Also, it will be appreciated that, with some tissue cuts, the second region **1480** may be completed before all available consolidated load curves **1456**, **1458**, **1460**, **1462** are executed.

At the third region **1482**, the generator **102** may continue to modulate pulses onto the drive signal. Generally, third region pulses may be modulated onto the drive signal according to any suitable manner including, for example, that described above with reference to the process flow **1488**. The power and pulse characteristics of the third region pulses may be determined according to any suitable method and, in various embodiments, may be determined based on the composite load curve that was being executed at the completion of the second region **1480** (the current load curve). According to various embodiments, the current load curve may be utilized to determine the pulse power of third region pulses, while the pulse characteristics (e.g., pulse width, ramp time, fall time, off time, etc.) may be constant regardless of composite load curve. In some embodiments, the third region **1482** may utilize a third-region-specific

composite load curve that may be one of the load curves **1456**, **1458**, **1460**, **1462** utilized in the second region **1480**, or may be a different composite load curve (not shown).

The generator **102** may continue to execute the third region **1482** until receiving an indication that the tissue cut is complete. In embodiments utilizing surgical implements having a blade, such as **175**, the indication may be received when the blade **175** reaches its distal-most position, as shown in FIG. **6**. This may trip a knife limit sensor (not shown) indicating that the blade **175** has reached the end of its throw. Upon receiving the indication that the tissue cut is complete, the generator **102** may continue to the fourth region **1484**. It will also be appreciated that, in some embodiments, the generator **102** may transition from the third region **1482** directly to RF (and/or ultrasonic) termination at **1486**, for example, if the timeout time has been reached.

In the fourth region **1484**, the generator **102** may provide an energy profile designed to complete coagulation of the now-cut tissue. For example, according to various embodiments, the generator **102** may provide a predetermined number of pulses. The pulses may be provided in a manner similar to that described above with respect to the process flow **1488**. The power and pulse characteristics of the pulses may be determined according to any suitable manner. For example, power and pulse characteristics of the fourth region pulses may be determined based on the current composite load curve, the third-region-specific load curve, or a fourth-region-specific composite load curve. In some embodiments, power may be determined based on the current composite load curve, while pulse characteristics may be fourth region-specific. Also, according to various embodiments, the power and pulse characteristics of fourth region pulses may be determined independent of the current composite load curve.

FIG. **78** illustrates one embodiment of a pulse timing diagram **1474** illustrating an example application of the algorithm **1452** by the generator **102** (e.g., by a digital device of the generator **102**). A first region pulse **1502** is shown in the first region **1478**. The first region pulse **1502** may be utilized, as described, to measure an initial tissue impedance. At the completion of the first region pulse (**1509**), second region **1480** may begin with second region pulses **1504** applied. The second region pulses **1504** may be applied according to the various composite load curves **1456**, **1458**, **1460**, **1462**, for example, as described herein. In the example diagram **1474**, the second region **1480** concludes at **1510** when the tissue reaches the threshold impedance ( $Z_{term}$ ). The third region **1482** is then implemented, with third region pulses **1506**, as described above, applied until a knife limit signal is received at **1512**. At that point, the fourth region **1484** may commence, with fourth region pulses **1508**, as described above, applied until cycle completion at **1514**.

According to various embodiments, the generator **102** may implement a user interface in conjunction with the algorithm **1452**. For example, the user interface may indicate the current region of the algorithm. The user interface may be implemented visually and/or audibly. For example, the generator **102** may comprise a speaker for generating audible tones or other audible indication. At least one audible indication may correspond to the second region **1480**. The third and fourth regions **1482**, **1484** may also have region-specific audible indications. According to various embodiments, the first region **1478** may have a region-specific audible indication as well. According to various embodiments, the audible indications may comprise pulsed



## 61

tones generated by the generator **102**. The frequency of the tones and/or the pitch of the tones themselves may indicate the current region. In addition to, or instead of, the audible indications, the generator **102** may also provide a visual indication of the current region (e.g., on output device **147**). It will be appreciated that the clinician may utilize the described user interface to properly use the generator **102** and associated surgical devices **104**, **106**. For example, the indication of the second region **1480** may let the clinician know that tissue treatment has begun. The indication of the third region **1482** may let the clinician know that the tissue is ready for the cutting operation. The indication of the fourth region **1484** may let the clinician know that the cutting operation is complete. The cessation of the indication and/or a final indication may indicate that the total cutting/coagulation operation is complete.

FIG. **79** illustrates a graphical representation of drive signal voltage, current and power according to an example load curve **1520**. In the chart **1520**, drive signal voltage is represented by line **1522**, drive signal current is represented by line **1524** and drive signal power is represented by line **1526**. Pulse width is not indicated in FIG. **79**. In various embodiments, the values for voltage **1522**, current **1524** and power **1526** indicated by the graph **1520** may represent possible values within a single pulse. Accordingly, the load curve **1520** may be expressed as a composite load curve by adding a curve (not shown) indicating a pulse width as a function of tissue impedance or another tissue condition. As shown for the load curve **1520**, the maximum voltage **1522** is 100 Volts Root Mean Square (RMS), the maximum current is 3 Amps RMS and the maximum power is 135 Watts RMS.

FIGS. **79-84** illustrate graphical representations of various example composite load curves **1530**, **1532**, **1534**, **1536**, **1538**, **1540**. Each of the composite load curves **1530**, **1532**, **1534**, **1536**, **1538**, **1540** may indicate both pulse power and pulse width in terms of measured tissue impedance. The composite load curves **1530**, **1532**, **1534**, **1536** may be implemented either in isolation or as part of a pattern of successively more aggressive composite load curves, as described above with respect to the algorithm **1452**.

FIG. **80** illustrates a graphical representation of a first example composite load curve **1530**. The composite load curve **1530** may have a maximum pulse power of 45 Watts RMS and a maximum pulse width of 0.35 seconds. In FIG. **80**, the power as a function of tissue impedance is indicated by **1542**, while the pulse width as a function of tissue impedance is indicated by **1544**. Table 1 below illustrates values for the composite load curve **1530** for tissue impedances from  $0\Omega$  to  $475\Omega$ .

TABLE 1

Load, Ohms	V Lim, RMS	I Lim, RMS	P Lim, W	PW, Sec
0-24	85	1.4	45	0.35
25-49	85	1.4	45	0.35
50-74	85	1.4	45	0.3
75-99	85	1.4	45	0.3
100-124	85	1.4	45	0.25
125-149	85	1.4	45	0.25
150-174	85	1.4	45	0.2
175-199	85	1.4	45	0.2
200-224	85	1.4	44	0.15
225-249	85	1.4	40	0.15
250-274	85	1.4	36	0.1
275-299	85	0.31	24	0.1
300-324	85	0.28	22	0.1

## 62

TABLE 1-continued

Load, Ohms	V Lim, RMS	I Lim, RMS	P Lim, W	PW, Sec
325-349	85	0.26	20	0.1
350-374	85	0.25	19	0.1
375-399	85	0.22	18	0.1
400-424	85	0.21	17	0.1
425-449	85	0.2	16	0.1
450-475	85	0.19	15	0.1
475+	85	0.15	14	0.1

In various embodiments, the composite load curve **1530** may be suited to smaller surgical devices and/or smaller tissue bites.

FIG. **81** illustrates a graphical representation of a second example composite load curve **1532**. The composite load curve **1532** may have a maximum pulse power of 45 Watts RMS and a maximum pulse width of 0.5 seconds. In FIG. **81**, the power as a function of tissue impedance is indicated by **1546**, while the pulse width as a function of tissue impedance is indicated by **1548**. Table 2 below illustrates values for the composite load curve **1532** for tissue impedances from  $0\Omega$  to  $475\Omega$ .

TABLE 2

Load, Ohms	V Lim, RMS	I Lim, RMS	P Lim, W	PW, Sec
0-24	85	3	45	0.5
25-49	85	2	45	0.5
50-74	85	1.4	45	0.5
75-99	85	1.1	45	0.5
100-124	85	0.9	45	0.5
125-149	85	0.7	45	0.5
150-174	85	0.55	45	0.5
175-199	85	0.48	45	0.5
200-224	85	0.42	32	0.5
225-249	85	0.38	28	0.5
250-274	85	0.33	26	0.3
275-299	85	0.31	24	0.3
300-324	85	0.28	22	0.25
325-349	85	0.26	20	0.25
350-374	85	0.25	19	0.25
375-399	85	0.22	18	0.25
400-424	85	0.21	17	0.25
425-449	85	0.2	16	0.25
450-475	85	0.19	15	0.25
475+	85	0.15	14	0.25

The composite load curve **1532** may be targeted at small, single vessel tissue bites and, according to various embodiments, may be a first composite power curve applied in region two **1480**.

FIG. **82** illustrates a graphical representation of a third example composite load curve **1534**. The composite load curve **1534** may have a maximum pulse power of 60 Watts RMS and a maximum pulse width of 2 seconds. In FIG. **82**, the power as a function of tissue impedance is indicated by **1550**, while the pulse width as a function of tissue impedance is indicated by **1552**. Table 3 below illustrates values for the composite load curve **1534** for tissue impedances from  $0\Omega$  to  $475\Omega$ .

TABLE 3

Load, Ohms	V Lim, RMS	I Lim, RMS	P Lim, W	PW, Sec
0-24	85	3	60	2
25-49	85	3	60	2



63

TABLE 3-continued

Load, Ohms	V Lim, RMS	I Lim, RMS	P Lim, W	PW, Sec
50-74	100	3	60	2
75-99	100	3	60	2
100-124	100	3	60	2
125-149	100	3	60	2
150-174	100	3	55	0.5
175-199	100	3	50	0.5
200-224	85	0.42	32	0.3
225-249	85	0.38	28	0.3
250-274	85	0.33	26	0.3
275-299	85	0.31	24	0.3
300-324	85	0.28	22	0.25
325-349	85	0.26	20	0.25
350-374	85	0.25	19	0.25
375-399	85	0.22	18	0.25
400-424	85	0.21	17	0.25
425-449	85	0.2	16	0.25
450-475	85	0.19	15	0.25
475+	85	0.15	14	0.25

The composite load curve **1534** may be more aggressive than the prior curve **1532** by virtue of its generally higher power. The composite load curve **1534** may also, initially, have higher pulse widths than the prior curve **1532**, although the pulse widths of the composite load curve **1534** may begin to drop at just  $150\Omega$ . According to various embodiments, the composite load curve **1536** may be utilized in the algorithm **1542** as a load curve implemented sequentially after the composite load curve **1532**.

FIG. **83** illustrates a graphical representation of a fourth example composite load curve **1536**. The composite load curve **1536** may have a maximum pulse power of 90 Watts RMS and a maximum pulse width of 2 seconds. In FIG. **83**, the power as a function of tissue impedance is indicated by **1554**, while the pulse width as a function of tissue impedance is indicated by **1556**. Table 4 below illustrates values for the composite load curve **1536** for tissue impedances from  $0\Omega$  to  $475\Omega$ .

TABLE 4

Load, Ohms	V Lim, RMS	I Lim, RMS	P Lim, W	PW, Sec
0-24	85	3	90	2
25-49	85	3	90	2
50-74	100	3	90	2
75-99	100	3	90	2
100-124	100	3	80	2
125-149	100	3	65	2
150-174	100	3	55	0.5
175-199	100	3	50	0.5
200-224	85	0.42	32	0.3
225-249	85	0.38	28	0.3
250-274	85	0.33	26	0.3
275-299	85	0.31	24	0.3
300-324	85	0.28	22	0.25
325-349	85	0.26	20	0.25
350-374	85	0.25	19	0.25
375-399	85	0.22	18	0.25
400-424	85	0.21	17	0.25
425-449	85	0.2	16	0.25
450-475	85	0.19	15	0.25
475+	85	0.15	14	0.25

The composite load curve **1536** may, again, be more aggressive than the prior curve **1534** and, therefore, may be implemented sequentially after the curve **1534** in the algorithm **1452**. Also, according to various embodiments, the composite load curve **1536** maybe suited to larger tissue bundles.

64

FIG. **84** illustrates a graphical representation of a fifth example composite load curve **1538**. The composite load curve **1538** may have a maximum pulse power of 135 Watts RMS and a maximum pulse width of 2 seconds. In FIG. **84**, the power as a function of tissue impedance is indicated by **1558**, while the pulse width as a function of tissue impedance is indicated by **1560**. Table 5 below illustrates values for the composite load curve **1538** for tissue impedances from  $0\Omega$  to  $475\Omega$ .

TABLE 5

Load, Ohms	V Lim, RMS	I Lim, RMS	P Lim, W	PW, Sec
0-24	85	3	135	2
25-49	85	3	135	2
50-74	100	3	135	2
75-99	100	3	100	2
100-124	100	3	80	2
125-149	100	3	65	2
150-174	100	3	55	0.5
175-199	100	3	50	0.5
200-224	85	0.42	32	0.3
225-249	85	0.38	28	0.3
250-274	85	0.33	26	0.3
275-299	85	0.31	24	0.3
300-324	85	0.28	22	0.25
325-349	85	0.26	20	0.25
350-374	85	0.25	19	0.25
375-399	85	0.22	18	0.25
400-424	85	0.21	17	0.25
425-449	85	0.2	16	0.25
450-475	85	0.19	15	0.25
475+	85	0.15	14	0.25

The composite load curve **1538** may be used sequentially after the prior curve **1536** in the algorithm **1452**.

FIG. **85** illustrates a graphical representation of a sixth example composite load curve **1540**. The composite load curve **1540** may have a maximum pulse power of 90 Watts RMS and a maximum pulse width of 2 seconds. In FIG. **85**, the power as a function of tissue impedance is indicated by **1562**, while the pulse width as a function of tissue impedance is indicated by **1564**. Table 6 below illustrates values for the composite load curve **1540** for tissue impedances from  $0\Omega$  to  $475\Omega$ .

TABLE 6

Load, Ohms	V Lim, RMS	I Lim, RMS	P Lim, W	PW, Sec
0-24	85	3	90	2
25-49	85	3	90	2
50-74	100	3	90	2
75-99	100	3	90	2
100-124	100	3	80	2
125-149	100	3	65	2
150-174	100	3	55	0.5
175-199	100	3	50	0.5
200-224	85	0.42	32	0.3
225-249	85	0.38	28	0.3
250-274	85	0.33	26	0.3
275-299	85	0.31	24	0.3
300-324	85	0.28	22	0.25
325-349	85	0.26	20	0.25
350-374	85	0.25	19	0.25
375-399	85	0.22	18	0.25
400-424	85	0.21	17	0.25
425-449	85	0.2	16	0.25
450-475	85	0.19	15	0.25
475+	85	0.15	14	0.25

The composite power curve **1540** is less aggressive than the prior power curve **1538**. According to various embodiments,



the composite power curve **1540** may be implemented in the algorithm **1452** sequentially after the curve **1538**. Also, in some embodiments, the composite power curve **1540** may be implemented in the algorithm **1452** as a third or fourth region-specific composite power curve.

As described above, the various composite power curves used in the algorithm **1452** may each be implemented for a predetermined number of pulses. Table 7 below illustrates the number of pulses per composite power curve for an example embodiment utilizing the power curves **1532**, **1534**, **1536**, **1540** sequentially in the algorithm **1452**.

TABLE 7

Composite Load Curve	Number of Pulses
1532	4
1534	2
1536	2
1538	8
1540	n/a

The last composite power curve **1540** is shown without a corresponding number of pulses. For example, the composite power curve **1540** may be implemented until the clinician terminates the operation, until the timeout time is reached, until the threshold tissue impedance is reached, etc.

According to various embodiments, the generator **102** may provide power to a tissue bite in a manner that brings about a desired value of other tissue parameters. FIG. **86** illustrates one embodiment of a block diagram **1570** describing the application of an algorithm **1572** for maintaining a constant tissue impedance rate of change. The algorithm **1572** may be implemented by the generator **102** (e.g., by a digital device of the generator **102**). For example, the algorithm **1572** may be utilized by the generator **102** to modulate the drive signal. Sensors **1574** may sense a tissue condition, such as tissue impedance and/or a rate of change of tissue impedance. The sensors **1574** may be hardware sensors or, in various embodiments may be software implemented sensors. For example, the sensors **1574** may calculate tissue impedance based on measured drive signal current and voltage. The drive signal may be provided by the generator **102** to the cable/implement/load **1576**, which may be the electrical combination of the tissue, the surgical device **104**, **106** and a cable **112**, **128** electrically coupling the generator **102** to the device **104**, **106**.

The generator **102**, by implementing the algorithm **1572**, may monitor the impedance of the tissue or load including, for example, the rate of change of impedance. The generator **102** may modulate one or more of the voltage, current and/or power provided via the drive signal to maintain the rate of change of tissue impedance at a predetermined constant value. Also, according to various embodiments, the generator **102** may maintain the rate of change of the tissue impedance at above a minimum impedance rate of change.

It will be appreciated that the algorithm **1572** may be implemented in conjunction with various other algorithms described herein. For example, according to various embodiments, the generator **102** may sequentially modulate the tissue impedance to different, increasingly aggressive rates similar to the method **1330** described herein with reference to FIG. **70** herein. For example, a first impedance rate of change may be maintained until the total energy delivered to the tissue exceeds a predetermined energy threshold. At the energy threshold, if tissue conditions have not reached a predetermined level (e.g., a predetermined tissue impedance), then the generator **102** may utilize the drive signal to

drive the tissue to a second, higher impedance rate of change. Also, in various embodiments, tissue impedance rates of change may be used in a manner similar to that described above with respect to composite load curves. For example, instead of utilizing plurality of composite load curves, the algorithm **1452** of FIG. **75** may call for applying a plurality of rates of tissue impedance change. Each rate of tissue impedance change may be maintained for a predetermined amount of time and/or a predetermined number of pulses. The rates may be successively applied in order of value (e.g., rates may successively increase). In some embodiments, however, the driven rates of tissue impedance change may peak, and then be reduced.

As previously discussed, in one embodiment, the generator **102** may comprise an ultrasonic generator module **108** to drive an ultrasonic device, such as the ultrasonic device **104** by providing a drive signal to the transducer **114** in any suitable manner. For example, the generator **102** may comprise a foot switch **120** coupled to the generator **102** via a footswitch cable **122** (FIG. **8**). Control circuits may be employed to detect the presence of the foot switch **120** and the ultrasonic generator module **108** such that the operation of the foot switch **120** is corresponds with the activation of the ultrasonic generator module **108**. Accordingly, a clinician may activate the transducer **114**, and thereby the transducer **114** and blade **151**, by depressing the foot switch **120**. In one embodiment, the foot switch **120** may comprise multiple pedals, where each pedal may be activated to perform a particular function. In one embodiment, the foot switch **120** may comprise a first pedal, for example, to enable and/or control the ultrasonic mode of the generator **120** and a second pedal, for example, to enable and/or control the electrosurgical mode of the generator **120**. Accordingly, the generator **102** may configure the foot switch **120** pedals depending upon which drive mode of the generator **102** is active.

As previously discussed, the drive mode of the generator **102** may be determined by the device identification. The characteristics of the interrogation signal may uniquely indicate the state or configuration of a control circuit, which can be discerned by the generator **102** and used to control aspects of its operation. Any of the control circuits **280**, **280-1** to **280-9**, **282**, and **282-1** to **282-8** previously described in connection with FIGS. **14-32** may be configured to set or indicate the drive mode of the generator **102**, for example. Such control circuits may be contained, for example, in an ultrasonic surgical device (e.g., in a handpiece of an ultrasonic surgical device) or may be contained in an electrosurgical device (e.g., in a handpiece of an electrosurgical device).

In one embodiment, the generator **102** may be configured to operate in ultrasonic mode using the ultrasonic generator module **108**. Accordingly, the first pedal of the foot switch **120** enables and/or controls the operation of the ultrasonic generator module **108**. During ultrasonic mode operation, the first pedal (e.g., the left pedal) may be configured to activate the ultrasonic output of the ultrasonic generator module **108** to generate a drive signal that corresponds to a minimum ( $P_{Min}$ ) ultrasonic power level (e.g., minimum energy setting) and the second pedal (e.g., the right pedal) may be configured to activate the ultrasonic generator module **108** to generate a drive signal that corresponds to a the maximum ( $P_{Max}$ ) ultrasonic power level (e.g., maximum energy setting). It will be appreciated that either the first or second pedal may be configured to activate the ultrasonic generator module **108** to generate a drive signal that corresponds to the minimum ( $P_{Min}$ ) or maximum ( $P_{Max}$ ) ultra-



sonic power levels, without limitation. Therefore, either the left or right pedal may be assigned as the first pedal, and the other pedal may be assigned as the second pedal. In embodiments where the foot switch **120** comprises more than two pedals, each of the pedals may be assigned a predetermined function. In some embodiments, one or more of the foot pedals may be deactivated or ignored by the generator **102** DSP software or logic (e.g., executable instructions, hardware devices, or combinations thereof).

In one embodiment, the generator **102** is configured in ultrasonic mode and the foot switch **120** comprises two pedals, e.g., first and second or left and right. During ultrasonic foot switch **120** activation mode, when a valid activation of the first pedal (e.g., left pedal) of the foot switch **120** is detected and an ultrasonic surgical device **104** (FIG. **8**) is connected to the ultrasonic generator module **108**, the generator **102** DSP software is configured to drive the ultrasonic transducer **114** of the ultrasonic surgical device **104** at the maximum power level, for example. For ultrasonic transducers **114**, the maximum power ( $P_{Max}$ ) level can be obtained at the maximum drive current ( $I_{Max}$ ). In embodiments where the foot switch **120** comprises more than two pedals, any two of the multiple pedals may be configured in accordance with the above functionality.

In one embodiment, during ultrasonic foot switch **120** activation mode, when a valid activation of the second pedal (e.g., right pedal) of the foot switch **120** is detected and an ultrasonic surgical device **104** (FIG. **8**) is connected to the ultrasonic generator module **108**, the generator **102** DSP software or logic is configured to drive the ultrasonic transducer **114** of the ultrasonic surgical device **104** at the minimum power level, for example. For ultrasonic transducers **114**, the maximum power level can be obtained at the minimum drive current.

In another embodiment, the generator **102** may comprise an electro-surgery/RF generator module **110** to drive the electro-surgical device **106** in any suitable manner. Control circuits may be employed to detect the presence of the foot switch **120** and the electro-surgery/RF generator module **110** such that the operation of the foot switch **120** corresponds with the activation of the electro-surgery/RF generator module **110**. Accordingly, the generator **102** may be configured to operate in electro-surgical mode (e.g., bi-polar RF mode) using the electro-surgery/RF generator module **110** and the foot switch **120** may comprise two pedals, e.g., first and second or left and right. The first pedal of the foot switch **120** enables and/or controls the operation of the electro-surgery/RF generator module **110**. During electro-surgical mode operation, the first pedal (e.g., the left pedal) may be configured to activate the bi-polar RF output of the electro-surgery/RF generator module **110** and the second pedal (e.g., the right pedal) switch may be ignored and may be referred to as an inactive switch. It will be appreciated that the inactive switch (e.g., the right pedal) may be used by the user for input to the generator **102** other than power level. For example, tapping the inactive switch pedal may be a way for the user to acknowledge or clear a fault, among other functions, as well as other inputs from the user to the generator by way of the inactive switch pedal. In embodiments where the foot switch **120** comprises more than two pedals, any two of the multiple pedals may be configured in accordance with the above functionality.

In one embodiment, during electro-surgical foot switch **120** activation mode when an electro-surgical or RF surgical device **106** (FIG. **8**) is connected to the electro-surgery/RF generator module **110**, the generator **102** DSP and user interface (UI) software or logic is configured to ignore the

status of the second pedal of the foot switch **120**, which is the maximum activation switch. Accordingly, there is no change in power delivery and no change in visual or audible feedback to the user when the second pedal of the foot switch **120** is activated. Therefore, when the electro-surgery/RF generator module **110** transitions from inactive to active of the Max switch-input on the second pedal of the foot switch **120** while all other activation switch inputs are inactive, the electro-surgery/RF generator module **110** ignores the switch input from the second pedal of the foot switch **120** and does not sound or emit a tone.

In one embodiment, during electro-surgical foot switch **120** activation mode when an electro-surgical or RF surgical device **106** (FIG. **8**) is connected to the electro-surgery/RF generator module **110**, the generator **102** DSP software is configured to drive the electro-surgical or RF device **106** in accordance with a predetermined algorithm specific to the electro-surgical or RF device **106**. Various algorithms are discussed in the present disclosure.

As previously discussed, according to various embodiments, the generator **102** may implement a user interface in conjunction with the algorithm **1452** described in connection with FIG. **75**. One embodiment of a user interface now will be described with reference to FIGS. **75** and **76** where FIG. **75** illustrates a process flow illustrating one embodiment of the algorithm **1452**, as implemented by the generator **102** (e.g., by a digital device of the generator **102**) and FIG. **76** illustrates shows a process flow illustrating one embodiment of the algorithm **1452**, as implemented by the generator **102** (e.g., by a digital device of the generator **102**). The algorithm **1452** may be activated at **1476**. It will be appreciated that the algorithm **1452** may be activated in any suitable manner. For example, the algorithm **1452** may be activated by a clinician upon actuation of the surgical device **104**, **106** (e.g., by pulling or otherwise actuating a jaw closure trigger **138**, **142**, switch, handle, etc.).

Accordingly, in one embodiment, the algorithm **1452** may be implemented to control the operation of the electro-surgery/RF generator module **110** to control the electro-surgical or RF surgical device **106** (FIG. **8**). Accordingly, in one embodiment of the algorithm **1452**, a first activation tone occurs during the activation of the electro-surgical or RF surgical device **106** that transitions to a second activation tone that occurs when the impedance and/or energy conditions/threshold(s) are met and then transitions to a third activation tone that occurs when the impedance and/or energy conditions/threshold(s) and an end effector **132** (e.g., knife) position condition are all met. The tone from the second activation tone to third activation tone is reset upon opening of the jaws as determined by impedance as described with reference to the algorithm **1452** as described and illustrated in connection with FIG. **76** used to drive the electro-surgical or RF surgical device **106**.

Accordingly, turning now to FIG. **76**, in one embodiment the algorithm **1452** controls the activation of various audible feedback during certain power delivery regions and transitions between regions. In one embodiment, multiple audible feedback is provided based on operational cycle and region of the electro-surgery/RF generator module **110** of the generator **102**. In one embodiment, for example, a first audio tone (Audio Tone-I) is emitted when the electro-surgical (RF) power delivery cycle begins. The first audio tone is emitted, for example, whenever the electro-surgery/RF generator module **110** of the generator **102** enters the first region **1478** and continues in the second region **1480**.

A second audio tone (Audio Tone-II) is emitted when the tissue impedance threshold is reached. In one embodiment,



the second tone is emitted, for example, upon the electro-surgery/RF generator module 110 of the generator 102 entering the third region 1482. In one aspect, the second tone may be latched such that if a transition occurs from the third region 1482 to the second region 1480, the second tone is continued to be emitted.

A third audio tone (Audio Tone-III) is emitted when the electrosurgical (RF) power delivery cycle is complete. In one embodiment, when the generator 102 DSP software and/or logic determines that a "cycle complete" status has been reached, the third tone is emitted upon completion of a fourth energy pulse in the fourth region 1484.

Still with reference to FIG. 76, in one embodiment, the algorithm 1452 may be employed when marching on tissue, which is defined as opening the jaws of the end effector 132 (FIG. 8) without releasing the energy activation, re-grasping on tissue, and then continuing energy activation. To accommodate the marching on tissue functionality, the algorithm 1452 may be implemented as follows. While in the second region 1480 or third region 1482, if the tissue impedance  $|Z_{mag}| > |Z_{jaws\_open}|$ , the algorithm 1452 re-enters the first region 1478 and implements the first region 1478 applicable Power (P), Current (I), Voltage (V) limits. In one embodiment, while re-entering the first region 1478  $T_{timeout}$  is not reset and the  $T_{start}$  timer and the energy accumulation parameter is reset. In one embodiment, when re-entering the first region 1478, the algorithm 1452 shall cause the first audio tone (Audio Tone-I) to be emitted and the logic to switch again to the second audio tone (Audio Tone-II) is kept the same as previously discussed.

It will be appreciated that the previously described sequence of tones, first, second, and third audio tones, may be applied to indicate energy delivery to tissue when the generator 102 is configured to operate in ultrasonic mode using the ultrasonic generator module 108. For example, the first audio tone (Audio Tone-I) is emitted when the ultrasonic energy delivery cycle begins, the second audio tone (Audio Tone-II) is emitted when the tissue impedance threshold is reached, and the third audio tone (Audio Tone-III) is emitted when the ultrasonic energy delivery cycle is complete.

FIGS. 87-99 illustrate various additional embodiments of control circuits of surgical devices are provided. In one embodiment, the control circuit may comprise a first circuit portion coupled to at least one switch operable between an open state and a closed state. The first circuit portion communicates with a surgical generator over a conductor pair to receive a control signal to determine a state of the at least one switch. The control circuit also comprises at least one resistor coupled to the at least one switch, where the state of the at least one switch is determinable based on the value of the at least one resistor. In one embodiment, the at least one resistor is coupled in series with the at least one switch. In one embodiment, the at least one resistor is coupled in parallel with the at least one switch. In one embodiment, the control circuit comprises a voltage reference coupled in parallel to the at least one switch. In one embodiment, the control circuit comprises a capacitor coupled to the voltage reference, where the state of the at least one switch is determinable based on a slope of the voltage on the capacitor. In one embodiment, the control circuit comprises an oscillator in communication with the at least one switch, where the state of the at least one switch is determinable based on a frequency of the oscillator, which is determined by the value of the at least one resistor. In one embodiment, the control circuit comprises a one-wire multi-switch input device coupled to the at least one switch and the

at least one resistor, wherein the state of the at least one switch is determinable based on the at least one resistor and is communicated to the generator over a one-wire communication protocol. In one embodiment, the control signal is a differential constant current pulse having a positive phase and a negative phase. In one embodiment, the control circuit comprises a second circuit portion comprising a data circuit element coupled to the first circuit portion. In one embodiment, the data circuit element comprises at least one memory device. In one embodiment, the at least one memory device comprises at least one one-wire electrically erasable programmable read only memory (EEPROM).

In various embodiments, a control circuit of a surgical device is provided. In one embodiment, the control circuit comprises a first circuit portion is coupled to at least one switch operable between an open state and a closed state. The first circuit portion communicates with a surgical generator over a conductor pair to receive a control signal from input terminals to determine a state of the at least one switch. The control signal having a first phase and a second phase. A first transistor coupled between the input terminals, a first capacitor, and a first resistor coupled in series with the first capacitor. During the first phase of the control signal the first transistor is held in cutoff mode while the first capacitor charges to a predetermined voltage and during at initial portion of the second phase of the control signal the first transistor transitions from cutoff mode to saturation mode and is held in saturation mode until the first capacitor discharges through the first resistor. During a final portion of the second phase of the control signal the first transistor transitions from saturation mode to cutoff mode when the first capacitor voltage drops below a predetermined threshold. In one embodiment, during the initial portion of the second phase of the control signal while the first transistor is in saturation mode, a first impedance is presented between the input terminals and during the final portion of the second phase of the control signal while the first transistor is in cutoff mode, a second impedance is presented between the input terminals, where the state of the at least one switch is determinable based on the first and second impedance values. In one embodiment, the control circuit comprises at least one second resistor coupled to the at least one switch, where the second impedance is based at least in part on the at least one second resistor when the at least one switch is in the open state. In one embodiment, the control circuit comprises at least one second resistor coupled to the at least one switch, where the second impedance is based at least in part on the at least one second resistor when the at least one switch is in the closed state. In one embodiment, the control circuit comprises a second transistor coupled to the first capacitor to charge the first capacitor during the first phase of the control signal. In one embodiment, the control circuit comprises a second circuit portion comprising a data circuit element coupled to the first circuit portion, wherein the first capacitor voltage is sufficient to supply voltage to the data element. In one embodiment, the control circuit comprises a voltage reference coupled in parallel to the at least one switch. In one embodiment, the control circuit comprises a second capacitor coupled to the voltage reference, where the state of the at least one switch is determinable based on a slope of the voltage on the second capacitor. In one embodiment, the first phase of the control signal is a positive transition of a current pulse and the second phase of the control signal is a negative transition of a current pulse.

In various embodiments, a method is provided. In one embodiment, the method comprises receiving a control signal at a control circuit of a surgical device and determin-



ing the state of the at least one switch based on the value of the resistor. The control circuit comprises a first circuit portion coupled to at least one switch operable between an open state and a closed state, the first circuit portion to communicate with a surgical generator over a conductor pair to receive the control signal, the first circuit portion comprising at least one resistor coupled to the at least one switch. In one embodiment, the method comprises presenting a first impedance during a first phase of the control signal and presenting a second impedance during a second phase of the control signal based on the state of the at least one switch, where determining the state of the at least one switch comprises comparing the first impedance to the second impedance. In one embodiment, the method comprises generating a first voltage slope during a first phase of the control signal and generating a second voltage slope during a second phase of the control signal, where determining the state of the at least one switch comprises comparing the first voltage slope to the second voltage slope. In one embodiment, the method comprises generating a first frequency during a first phase of the control signal and generating a second frequency during a second phase of the control signal, where determining the state of the at least one switch comprises comparing the first frequency to the second frequency. In one embodiment, the method comprises reading a value of the least one resistor by a one-wire multi-switch input device coupled to the at least one switch and communicating the value of the at least one resistor to the generator over a one-wire communication protocol.

The control circuits disclosed in connection with FIGS. 87-99 are suitable for use with surgical devices, including, for example, disposable surgical devices. The control circuits can overcome challenges such as cost constraints, non-ideal surgical device usage conditions, and compatibility with existing equipment. In addition, the series resistance in the switch lines may increase over time and usage due to residue buildup from cleaning agents on the surgical device handpiece contacts.

The configuration and detection methodology of each of the control circuits described in connection with FIGS. 87-99, may be configured to operate with any one of, any combination of, or all of, the following requirements: compatibility with constant current sources using voltage level state detection as may be provided in the generator 102; compensation circuits for the cable 112 (e.g., line) impedance (i.e., contaminated handpiece contacts); support functionality for multiple switches provided on the surgical device handpiece (scalable design to support one, two, three, or more switches on the handpiece of the surgical device); provide a circuit presence state; support functionality for multiple simultaneous switch states; support functionality for multiple one-wire memory components (power and communication); low cost for disposable device; maximize use of "off the shelf" components; minimize circuit footprint (e.g., approximately 15 mm×15 mm); provide for mitigation of resultant hazardous conditions due to single point component failure (e.g., open/short circuit); provide electrostatic discharge (ESD) mitigation.

The various embodiments of the control circuits described in connection with FIGS. 87-99 are configured to be located in a handpiece of a surgical instrument. The control circuits receive an interrogation signal transmitted by the generator 102 through a cable 112. As discussed above in connection with FIG. 10, a control circuit may modify the characteristics of an interrogation signal transmitted by the generator 102. The characteristics of the interrogation signal, which may uniquely indicate the state or configuration of the

control circuit and/or the handpiece of the surgical device, can be discerned by circuitry located at the generator 102 side and are used to control aspects of its operation. The various embodiments of the control circuits described in connection with FIGS. 87-99 may be contained in an ultrasonic surgical device (e.g., in the handpiece 116 of the ultrasonic surgical device 104), in an electrosurgical device (e.g., in the handpiece 130 of the electrosurgical device 106), or in a combination ultrasonic/electrosurgical device (e.g., in the handpiece of a device that incorporates the functional aspects of the ultrasonic device 104 and the electrosurgical device 106 in a single handpiece), as described herein.

FIG. 87 illustrates one embodiment of a control circuit 1602 comprising parallel switched resistance circuit with high speed data communication support and at least one data element comprising at least one memory device. In one embodiment, the control circuit 1602 is operable by a control signal in the form of a differential current pulse. As shown in FIG. 87, in one embodiment, the control circuit 1602 may be connected or coupled to the generator 102 via the cable 112 (and/or 128) to receive an interrogation signal (e.g., a bipolar interrogation signal at a predetermined frequency, such as 2 kHz, for example) from a signal conditioning circuit 202 (e.g., from generator terminals HS and SR shown in FIG. 10 via a conductive pair of cable 112 or 128). In one embodiment, the control circuit 1602 comprises multiple parallel switches SW1, SW2, SWn. The embodiment of the control circuit 1602 in FIG. 87 can be employed with any suitable number n of switches in parallel with a fixed resistor R1. Accordingly, any suitable number of switches SWn, where n is an integer greater than zero, may be located in parallel with a predetermined fixed resistance to provide an indication of the configuration and/or operation of a surgical device 1600 (e.g., an ultrasonic device 104, an electrosurgical device 106, or a combined ultrasonic/electrosurgical device 104/106). The number of switches n determines the number of possible states. For example, a single switch SW1 can indicate up to two states, two switches can indicate up to four states, and n switches can indicate up to 2<sup>n</sup> states. The switches SW1, SW2, SWn may be any type of switch. In one embodiment, the switches SW1, SW2, SWn are pushbutton switches located on the handpiece of the surgical device 1600. The embodiments, however, are not limited in this context.

Depending on the open or closed state of each of the switches SW1, SW2, SWn, for example, the signal conditioning circuit 202 (e.g., from generator terminals HS and SR shown in FIG. 10 via a conductive pair of the cable 112, 128) would see a different impedance (e.g., resistance). For embodiments where n=2 that employ two switches SW1, SW2, for example, four unique switch configurable impedances can be detected by the signal conditional conditioning circuit 202, as described in Table 8, below:

TABLE 8

SW1	SW2	Impedance
Open	Open	R1
Open	Closed	R1    R3
Closed	Open	R1    R2
Closed	Closed	R1    R2    R3

The interrogation signal may be coupled across the inputs HS/SR of the control circuit 1602 and applied across both branches of switches SW1, SW2. When both SW1 and SW2 are open, the control circuit 280 may define an open circuit corresponding to a first state. When SW1 is open and SW2



is closed, the interrogation signal may define a second state. When SW1 is closed and SW2 is open, the interrogation signal may define a third state. When both SW1 and SW2 are closed, the interrogation signal may define a fourth state. Accordingly, based on the different characteristics of the interrogation signal corresponding to the different states of SW1 and SW2, the state or configuration of the control circuit 280 may be discerned by the generator 102 based on a voltage signal appearing across the inputs of the control circuit 280 (e.g., as measured by an ADC of the signal conditioning 35 circuit 202).

Still referring to FIG. 87, in one embodiment, the control circuit 1602 comprises a diode D1 placed across the HS/RS terminals of the control circuit 1602 to clamp and protect the control circuit 1602 from electro-static discharges (ESD) and/or transients coming from the surgical device 1600 and the generator 102 when the surgical device 1600 is connected and disconnected to the generator 102. In the illustrated embodiment, diode D1 is a bi-directional transient voltage suppressor. Diode D1 may be selected based on a predetermined ESD rating, such as for example 8 kV contact discharge, 5V nominal working voltage, small size, and low capacitance to minimize affecting the pulse waveforms. Any suitable bi-directional transient voltage suppressor may be employed without limitation. In other embodiments, as shown in FIGS. 93-95 and 97, for example, multiple diodes can be placed across the inputs HS/SR to protect the surgical device 1600 and/or the control circuit 1602 from ESD and other transients.

Diode D2 is provided for unidirectional routing of negative current pulses to the resistor network R1, R2, R3, and  $R_{n+1}$  configured by the switches SW1, SW2, SW<sub>n</sub>. In the illustrated embodiment, diode D2 is a single Schottky diode to provide a low voltage drop and minimize impact to the usable voltage range to the ADC of the generator 102. Diode D2 may be provided in discrete form, as part of a multi-diode package, or may be formed as part of a custom integrated circuit (e.g., and ASIC). In other embodiments, other suitable diodes may be employed without limitation. During the positive phase (rising edge) of the current pulse, diode D2 is reverse biased and current flows through transistor M1, which charges gate capacitor C2 through diode D3. During the negative phase (falling edge) of the current pulse, diode D2 is forward biased and the ADC of the generator 102 sees the impedance of the resistor network R1, R2, R3, and  $R_{n+1}$  configured by the switches SW1, SW2, SW<sub>n</sub>. In other embodiments, a pair of diodes may be employed for bidirectional power as shown in connection with FIGS. 92-95 and 97.

Transistor M1 is provided to route a positive current pulse from the generator 102 to gate capacitor C2. In the illustrated embodiment, transistor M1 is a p-channel MOSFET, although in other embodiments, any suitable transistor may be employed, without limitation. In the illustrated embodiment, the drain terminal of transistor M1 is connected to the HS input terminal and to the cathodes of diodes D1, D2 and the gate terminal is connected to the SR input terminal of the surgical device 1600. The source of transistor M1 is connected to the SR input terminal through resistor R5. A positive current pulse, as described in more detail with reference to FIG. 88, received at the HS terminal charges capacitor C2 through M1. Capacitor C2 is coupled to the gate of transistor M2 and when charged can turn on transistor M2 during a negative phase of the current pulse or supply power to the at least one memory device 1604 during a positive phase of the input current pulse. Although shown as a discrete component, transistor M1 may be provided a

multi-transistor package or may be formed as part of a custom integrated circuit (e.g., and ASIC). In other embodiments, other suitable transistors may be employed without limitation.

In one embodiment, the at least one memory device 1604 may comprise, for example, one or more one-wire EEPROM(s), known under the trade name "1-Wire." As previously discussed, the one-wire EEPROM is a one-wire memory device 1604. Generally, multiple EEPROMs may be employed in the control circuit 1602. In the illustrated embodiment, up to two EEPROMs may be used in the surgical device 1600. The EEPROM(s) are powered during the positive phase of the current pulse. Transistor M1 also provides low forward voltage drop and minimizes impact to the EEPROM high speed communications. Transistor M1 provides reverse blocking capabilities, which cannot be realized with a simple diode.

A second transistor M2 provides a substantial low impedance path to short out the resistor network R1, R2, R3,  $R_{n+1}$  in order for the ADC to make an initial reference measurement. The drain terminal of transistor M2 is connected to the anode of diode D2 and one end of resistors R1, R2, R3, and  $R_{n+1}$ . The source terminal of transistor M2 is connected to the SR terminal of the surgical device 1600. In the illustrated embodiment, transistor M2 is also a p-channel MOSFET transistor, although in other embodiments, any suitable transistor can be employed. During a positive phase of the current pulse, transistor M2 turns on and applies a substantial low impedance path across the HS/RS terminals of the surgical device 1600 for a relatively short duration of time as defined by an RC time constant on the gate terminal of transistor M2, where the RC time constant is determined by resistor R4 and gate capacitor C2, each of which is coupled to the gate to transistor M2. Resistor R4 provides a discharge path and timing for the voltage decay of gate capacitor C2. Gate capacitor C2 charges during the positive phase of the current pulse, when transistor M2 is cut off or open circuit. Eventually, the voltage on gate capacitor C2 is sufficient to negatively bias the gate-source and turns on the transistor M2 during the negative phase of the current pulse. A first measurement is then obtained by the ADC of the signal conditioning circuit 202 in the generator 102, which is referred to herein as the "ADC\_NEG1" measurement, as shown in FIG. 90, for example.

Diode D3 provides a current path during the positive phase of the current pulse and enables gate capacitor C2 to charge quickly while bypassing resistor R4, which provides the discharge path for gate capacitor C2. In one embodiment, transistor M2 may be selected due to a well defined minimum and maximum gate threshold to provide better characterization of ON/OFF timing for the differential measurement. In one embodiment, transistor M2 component may be provided as a stand alone discrete component or in the same package as transistor M1. Resistor R4 may be selected based on the 1% tolerance, 100 ppm temperature coefficient, and small package size. The identified component selection criterion is provided merely as a non-limiting example. Any suitable component may be substituted to perform the desired functionality.

As previously discussed, resistor network R1, R2, R3, and  $R_{n+1}$  is configured by the switches SW1, SW2, SW<sub>n</sub> to present a different resistance (e.g., impedance) to the ADC of the generator 102. Resistor R1 sets the maximum resistance used for switch detection, e.g., when all switches SW1, SW2, SW<sub>n</sub> are open ("off"). When SW1 is closed ("on"), resistor R2 is located in parallel with the other switch detection resistors, as shown in Table 8, for example. When



SW2 is closed (“on”), resistor R3 is located in parallel with other switch detection resistors, as shown in Table 8, for example. Each of the resistors R1, R2, R3,  $R_{n+1}$  can be selected based on a 1% tolerance, 100 ppm temperature coefficient, and small package size, without limitation. Capacitor C1 may be located in parallel with the resistors R1, R2, R3, and  $R_{n+1}$  to provide high frequency filtering from conducted and/or radiated noise, for example. In one embodiment, capacitor C1 may be a ceramic capacitor, without excluding other capacitor types.

Resistor R5 provides a relatively low impedance path to rapidly turn on transistor M2 during the start of the negative phase of the current pulse. Gate capacitor C2 charges in conjunction with resistor R4 to increase the gate voltage above the turn on threshold of transistor M2 for a short duration. The value of resistor R5 also may be selected to provide a sufficient supply voltage to the one or more EEPROM(s) during the positive phase of the current pulse.

FIG. 88 is a graphical representation of one aspect of a control signal in the form of a constant current pulse waveform 1610 that may be generated by the signal conditioning circuit 202 of the generator 102 as shown in FIG. 10. Time, in milliseconds (mS), is shown along the horizontal axis and Current, in milliamps (mA), is shown along the vertical axis. In the embodiment illustrated in FIG. 88, periodic constant current pulses 1612, 1614, each having a first phase shown as positive transitions 1612a, 1614a and a second phase shown as negative transitions 1612c, 1614c, at  $\pm 15$  mA are produced by a current source generator located at the generator 102 side. The current source generator is coupled to the HS/SR input terminals of the surgical device 1600/control circuit 1602 via the cable 112, 128. Other constant current amplitudes may be employed. In the illustrated embodiment, the control circuit 1602 utilizes both pulse polarities to detect up to  $2^n$  unique combinations of switches SW1, SW2,  $SW_n$  and also supports communication to the one-wire EEPROM(s).

FIG. 88A is a graphical representation of one aspect of a control signal in the form of the constant current pulse waveform 1610 of FIG. 88 showing numerical values of various features of the waveform 1610 according to one example embodiment. In the example embodiment of FIG. 88A, time on the horizontal axis is shown in milliseconds (mS) while current along the horizontal axis is shown in milliamps (mA). Also, in the example embodiment of FIG. 88A, the current pulses 1612, 1614 may have an amplitude of  $\pm 15$  mA.

It will be appreciated that although the current pulse is characterized as having a first phase that is a positive transition and a second phase is a negative transition, the scope of the present disclosure includes embodiments where the current pulse is characterized as having the opposite polarity. For example, the current pulse can be characterized as having a first phase that is a negative transition and a second phase is a positive transition. It will also be appreciated that the selection of the components of any of the control circuits disclosed herein can be suitably adapted and configured to operate using a current pulse characterized as having a first phase that is a negative transition and a second phase is a positive transition. Also, although the present disclosure describes the control signal as a differential current pulse, the scope of the present disclosure includes embodiments where the control signal is characterized as a voltage pulse. Accordingly, the disclosed embodiments of the control circuits are not limited in the context of the differential current pulse described in connection with FIG. 88.

With reference now to both FIGS. 87 and 88, in one embodiment, the control circuit 1602 operates on a differential pulse with parallel resistors R1, R2, R3, and  $R_{n+1}$  configured by the switches SW1, SW2,  $SW_n$ . Additionally, high speed data communication is provided through transistor M1 to the at least one memory device 1604. In one embodiment, the control circuit 1602 uses a variable resistance dictated by the closure of one or more pushbutton switches SW1, SW2,  $SW_n$ . Both positive edges 1612a, 1614a and negative edges 1612c, 1614c of the current pulses 1612, 1614 are used to derive a measurement that will allow for compensation of an unknown series cable 112, 128 and contamination resistance of the switches SW1, SW2,  $SW_n$  contacts within a predetermined range. Initially a positive current pulse 1612a charges gate capacitor C2 and subsequently a negative current pulse 1612c enables transistor M2 to turn for a brief time period defined by the RC time constant of gate capacitor C2 and resistor R4. During the first phase of the negative current pulse 1612c, transistor M2 is placed in a saturated state creating a very low impedance path through the surgical device 1600 between terminals HS/SR. After a time period defined by the RC time constant pair of R4 and C2, gate capacitor C2 discharges through resistor R4 and the FET channel of transistor M2 opens causing the total current to be steered through the resistor R1, R2, R3,  $R_{n+1}$  path based on the state of the pushbutton switches SW1, SW2,  $SW_n$ . The low impedance state when transistor M2 is in closed (saturation mode) and the state of the resistor network R1, R2, R3,  $R_{n+1}$  when transistor M2 is in an open (cutoff mode) state are the two impedance states in the time domain that are used for detecting the activation of pushbutton switches SW1, SW2,  $SW_n$ . This provides the ability to compensate for an external path resistance (handpiece contacts, cabling, connector resistance) by comparing the difference between the two states.

With reference back to FIG. 88, each of the combination of switches SW1, SW2,  $SW_n$  creates a unique resistance presented to the ADC at the generator 102 during the negative phase of the current pulse. The constant current pulses 1612, 1624 transmitted from the generator 102 to the surgical device 1600 presents a unique voltage back to an ADC in the generator 102 that is proportional to the resistance selected by the switches SW1, SW2,  $SW_n$ . Transistor M1 gate capacitor C2 charges during the positive current pulse phase 1612a, 1614a. When the current pulse waveform changes from positive to negative at 1612b, 1614b, the voltage on gate capacitor C2 turns on transistor M2, which effectively shorts the surgical device 1600 control circuit 1602 between the terminals HS/SR. The short circuit exists for a short duration that is set by the time constant defined by resistor R4 and gate capacitor C2 coupled to the gate of transistor M2. After gate capacitor C2 has fully discharged through resistor R4, the control circuit 1602 transitions to an impedance that represents the state of pushbutton switches SW1, SW2,  $SW_n$ . Using these two measurements for each time period when transistor M2 is in an open circuit state and a short circuit state, allows the control circuit 1602 system to tolerate resistance variations due to cable wiring affects, connector contact resistance, and pushbutton switch resistance. Additionally, as previously discussed, using p-Channel MOSFET transistor M1 rather than a diode is an effective means to facilitate high speed EEPROM communications without adversely affecting the hand switch detection capability.

FIG. 89 is a graphical representation 1620 of various detection regions associated with the aspect of the control signal shown in FIG. 88. Time in “mS” is shown along the



horizontal axis and Impedance in “k $\Omega$ ” is shown along the vertical axis. Five detection regions (1-5) are depicted in the graphical representation 1620. With reference also to FIGS. 87 and 88, region 1 represents the state of transistor M2 when it is in saturation mode during the negative phase 1612c of the current pulse 1612 creating a low resistance path through the surgical device 1600. This is the baseline ADC measurement that represents series resistor R1 except for pushbutton switch SW1, SW2, SW<sub>n</sub> detection resistance. Region 2 represents the state of transistor M2 after gate capacitor C2 has fully discharged through resistor R4 over a time constant defined by R4 and C2. In region 2, the surgical device 1600 will present a resistance that represents a unique pushbutton switch SW1, SW2, SW<sub>n</sub> state. The amplitude in region 2 changes depending on the states of pushbutton switches SW1, SW2, SW<sub>n</sub>. Region 3 represents the ohmic region of transistor M2 when it is transitioning from saturation mode to cutoff mode. Region 4 represents the rising positive edge 1612a of the current pulse 1612 to charge gate capacitor C2 coupled to the gate of transistor M2. Diode D3 with its anode also coupled to the gate of transistor M2 allows gate capacitor C2 to be charged quickly in order to be within a predetermined total timing budget. Region 5 represents the falling or negative edge 1612c of the current pulse 1612 when transistor M2 is transitioning from cutoff mode to saturation mode.

FIG. 90 is a graphical representation of one aspect of a control signal in the form of a current pulse waveform 1630 measured at the generator 102 with SW1 closed and a zero ohm cable/connector 112, 128 impedance. The current pulse waveform 1630 shows a first current pulse 1632 followed by a second current pulse 1634. Gate capacitor C2, which is coupled to the gate of transistor M2, charges during the initial positive edge 1632a. During the negative edge 1632b of the current pulse 1632, transistor M2 goes into a saturated (on) state creating a very low impedance external to the surgical device 1600 between terminals HS/SR. During a first sample period 1636 the ADC makes a first “reference” impedance measurement labeled as “ADC\_NEG1” on the waveform 1630. After a time period T defined by the time constant set by R4 and C2, gate capacitor C2 discharges through resistor R4 and the FET channel of transistor M2 opens causing the total current to be steered through the parallel combination of resistors R1 and R3 (R1||R3) since SW1 is in the closed position. Accordingly, with transistor M2 in the off state, the impedance external to the surgical device 1600 is measured during a second sample period 1638 by the ADC and is labeled as “ADC\_NEG2” on the waveform 1630. A third sample period 1639 may be reserved for legacy instrument detection and occurs after a subsequent positive edge 1634a of the current pulse 1634 and is labeled ADC\_POS.

FIG. 90A is a graphical representation of one aspect of a control signal in the form of the current pulse waveform 1630 of FIG. 90 showing numerical values of various features of the waveform 1630 according to one example embodiment. Time in “mS” is shown along the horizontal axis and ADC Counts is shown along the inner vertical axis and ADC V<sub>in</sub> in volts (V) shown along the outer vertical axis.

FIG. 91 is an oscilloscope trace of an actual measured ADC input waveform 1640 using a generator 102 and a control circuit 1602. Time in “mS” is shown along the horizontal axis and ADC V<sub>in</sub> in volts (V) is shown along the vertical axis. The actual waveform 1640 shape shown in FIG. 90 is very similar to the simulated waveform shape 1630 shown in FIG. 90.

FIG. 92 illustrates another embodiment of a control circuit 1702 comprising parallel switched resistance circuit and at least one data element comprising at least one memory device memory device. In one embodiment, the control circuit 1702 is operable by a control signal in the form of a differential current pulse. As previously discussed with respect to the control circuit 1602 shown in FIG. 87, the control circuit 1702 interfaces with a current source (generator), which outputs periodic positive and negative constant current pulses at +/-15 mA, as shown in FIG. 88, for example. The control circuit 1702 design utilizes both pulse polarities to detect up to 2<sup>n</sup> unique switch combinations and also supports communication to one or more memory devices 1704, such as, for example a one-wire EEPROM(s).

In one embodiment, the control circuit 1702 may be connected to the generator 102 to receive an interrogation signal (e.g., a bipolar interrogation signal at a predetermined frequency, such as 2 kHz, for example) from the signal conditioning circuit 202 (e.g., from generator terminals HS and SR shown in FIG. 10 via a conductive pair of cable 112, 128). The control circuit 1702 may be coupled to a predetermined number of n switches to provide an indication of the configuration and/or operation of a surgical device 1700 (e.g., an ultrasonic device 104, an electrosurgical device 106, or a combined ultrasonic/electrosurgical device 104/106). The control circuit 1702 shown in FIG. 92 is substantially similar in structure and operation to the control circuit 1602 described in connection with FIGS. 87-91, except that transistor M1 is replaced with diode D4. Otherwise, the two control circuits 1602 and 1702 function in a substantially similar manner.

As shown in FIG. 92, during the positive phase of the current pulse, as shown in FIG. 88, diode D2 is reversed biased and diode D4 is forward biased to enable gate capacitor C2 to charge through diode D3. During the negative phase of the current pulse, diode D4 is reversed biased and diode D2 is forward biased to connect resistors R1, R2, R3, R<sub>n+1</sub> in parallel in a configuration determined by the state of switches SW1, SW2, SW<sub>n</sub>. During an initial period of the negative phase of the current pulse, transistor M2 is in saturation mode due to the voltage on charged gate capacitor C2 and provides a low impedance path to the external generator 102 for a period equal to the time constant defined by R4 and C2. During this period, the ADC makes an initial impedance measurement “ADC\_NEG1” as shown in the waveform 1630 of FIG. 90. Once gate capacitor C2 discharges through resistor R4, transistor M2 turns off and the ADC sees the impedance configured by the parallel combination of resistors R1 and any of the other resistors R2, R3, R<sub>n+1</sub> that may be switched by corresponding switches SW1, SW2, SW<sub>n</sub>, as previously described in connection with FIGS. 87-91. The detection region is similar to that shown in FIG. 89.

FIG. 93 illustrates one embodiment of a control circuit 1802 comprising a serial switched resistance circuit and at least one data element comprising at least one memory device. In one embodiment, the control circuit 1802 is operable by a control signal in the form of a differential current pulse. As previously discussed with respect to the control circuits 1602, 1702 shown in FIGS. 87, 92, the control circuit 1802 interfaces with a current source (generator), which outputs periodic positive and negative constant current pulses at +/-15 mA, as shown in FIG. 88, for example. The control circuit 1802 utilizes both pulse polarities to detect up to 2<sup>n</sup> unique switch combinations and also



supports communication to one or more memory devices **1804**, **1806**, such as, for example, two one-wire EEPROM(s).

In one embodiment, the control circuit **1802** may be connected to the generator **102** to receive an interrogation signal (e.g., a bipolar interrogation signal at a predetermined frequency, such as 2 kHz, for example) from the signal conditioning circuit **202** (e.g., from generator terminals HS and SR shown in FIG. **10** via a conductive pair of cable **112**, **128**). The control circuit **1802** may be coupled to a predetermined number of n switches to provide an indication of the configuration and/or operation of a surgical device **1800** (e.g., an ultrasonic device **104**, an electrosurgical device **106**, or a combined ultrasonic/electrosurgical device **104/106**).

In one embodiment, the control circuit **1802** employs a series variable resistance configurable by up to n pushbutton switches SW1, SW2, SW<sub>n</sub>. Both positive and negative current pulses can be used to derive a measurement that will allow for compensation of an unknown series cable and contamination resistance within a given range. Initially a positive phase of a current pulse reverse biases diode D2 and forward biases diode D4 to charge gate capacitor C2 through diode D3. During a subsequent negative phase of the current pulse, diode D2 is forward biased and diode D4 is reversed biased. Accordingly, diode D2 now couples series resistors R1, R2, R3, R<sub>n+1</sub>, in a configuration determined by the state of pushbutton switches SW1, SW2, SW<sub>n</sub>, to the external ADC in the generator **102**. During the first portion of the negative phase of the current pulse, transistor M2 is in saturation mode due to the voltage on charged gate capacitor C2, thus creating a very low impedance path through the surgical device **1800**. After a time period defined by the time constant set by resistor R4 and C2, gate capacitor C2 discharges and the FET channel of transistor M2 opens to steer the total current through the series resistors path defined by resistors R1, R2, R3, R<sub>n+1</sub>, in a configuration determined by the state of pushbutton switches SW1, SW2, SW<sub>n</sub>. The initial shorted state of transistor M2 and the subsequent impedance state of the series resistor path are the only two impedance states in the time domain that are used for detecting the state of pushbutton switches SW1, SW2, SW<sub>n</sub>. This provides the ability to compensate for an external path resistance (handpiece contacts, cabling, connector resistance) by comparing the difference between these two states. The detection region is similar to that shown in FIG. **89**.

Depending on the open or closed state of switches SW1, SW2, SW<sub>n</sub>, for example, the signal conditioning circuit **202** (e.g., from generator terminals HS and SR shown in FIG. **10** via a conductive pair of the cable **112**, **128**) would see a different impedance (e.g., resistance). For the embodiment where n=3, and the control circuit **1802** includes three switches SW1, SW2, SW3, for example, there are eight unique switch configurable impedances that can be detected by the signal conditioning circuit **202** based on the states of switches SW1, SW2, SW3, as described in Table 9, below:

TABLE 9

SW1	SW2	SW3	Impedance
Open	Open	Open	R1 + R2 + R3 + R4
Open	Open	Closed	R1 + R2 + R3
Open	Closed	Open	R1 + R2 + R4
Open	Closed	Closed	R1 + R2
Closed	Open	Open	R1 + R3 + R4

TABLE 9-continued

SW1	SW2	SW3	Impedance
Closed	Open	Closed	R1 + R3
Closed	Closed	Open	R1 + R4
Closed	Closed	Closed	R1

The dual protection diodes D1 and D5 placed across the HS/RS terminals of the control circuit **1802** are used to clamp ESD and/or transients coming from the surgical device **1800** and the generator **102** when the surgical device **1800** is connected and disconnected to the generator **102**.

FIG. **94** illustrates one embodiment of a control circuit **1902** comprising a serial switched resistance circuit with a precision voltage reference and at least one data element comprising at least one memory device. In one embodiment, the control circuit **1902** is operable by a control signal in the form of a differential current pulse. As previously discussed with respect to the control circuits **1602**, **1702**, **1802** shown in FIGS. **87**, **92**, **93**, the control circuit **1902** interfaces with a current source (generator), which outputs periodic positive and negative constant current pulses at +/-15 mA, as shown in FIG. **88**, for example. The control circuit **1902** utilizes both pulse polarities to detect up to 2<sup>n</sup> unique switch combinations and also supports communication to one or more memory devices **1904**, **1906**, such as, for example, two one-wire EEPROM(s).

In one embodiment, the control circuit **1902** may be connected to the generator **102** to receive an interrogation signal (e.g., a bipolar interrogation signal at a predetermined frequency, such as 2 kHz, for example) from the signal conditioning circuit **202** (e.g., from generator terminals HS and SR shown in FIG. **10** via a conductive pair of cable **112**, **128**). The control circuit **1902** may be coupled to a predetermined number of n switches to provide an indication of the configuration and/or operation of a surgical device **1900** (e.g., an ultrasonic device **104**, an electrosurgical device **106**, or a combined ultrasonic/electrosurgical device **104/106**).

In one embodiment, the control circuit **1902** employs a series variable resistance configurable by up to n pushbutton switches SW1, SW2, SW<sub>n</sub>. The control circuit **1902** in FIG. **94**, however, comprises an additional shunt voltage reference implemented with zener diode D6, which allows higher resistance values to be used for switch detection. Higher resistance values are better suited when a low pushbutton contact resistance cannot be maintained (i.e., silver ink flex circuits). In other respects, the control circuit **1902** is substantially similar in operation to the control circuit **1802** described in connection with FIG. **93**, except that the switch configurable impedance is in parallel with resistor R6.

Depending on the open or closed state of switches SW1, SW2, SW<sub>n</sub>, for example, the signal conditioning circuit **202** (e.g., from generator terminals HS and SR shown in FIG. **10** via a conductive pair of the cable **112**, **128**) would see a different impedance (e.g., resistance). For the embodiment where n=3 and the control circuit **1902** includes three switches SW1, SW2, SW3, for example, there are eight unique switch configurable impedances that can be detected by the signal conditioning circuit **202** based on the states of switches SW1, SW2, SW3, as described in Table 10, below:

TABLE 10

SW1	SW2	SW3	Impedance
Open	Open	Open	R6    (R1 + R2 + R3 + R4)
Open	Open	Closed	R6    (R1 + R2 + R3)



TABLE 10-continued

SW1	SW2	SW3	Impedance
Open	Closed	Open	$R6 \parallel (R1 + R2 + R4)$
Open	Closed	Closed	$R6 \parallel (R1 + R2)$
Closed	Open	Open	$R6 \parallel (R1 + R3 + R4)$
Closed	Open	Closed	$R6 \parallel (R1 + R3)$
Closed	Closed	Open	$R6 \parallel (R1 + R4)$
Closed	Closed	Closed	$R6 \parallel R1$

FIG. 95 illustrates one embodiment of a control circuit 2002 comprising a variable frequency switched resistance circuit and at least one data element comprising at least one memory device. As previously discussed with respect to the control circuits 1602, 1702, 1802, 1902 shown in FIGS. 87, 92, 93, 94, the control circuit 2002 interfaces with a current source (generator), which outputs periodic positive and negative constant current pulses at  $\pm 15$  mA as shown in FIG. 88, for example. The control circuit 2002 utilizes both pulse polarities to detect up to  $2^n$  unique switch combinations and also supports communication to one or more memory devices 2004, 2006, such as, for example, two one-wire EEPROM(s).

In one embodiment, the control circuit 2002 may be connected to the generator 102 to receive an interrogation signal (e.g., a bipolar interrogation signal at a predetermined frequency, such as 2 kHz, for example) from the signal conditioning circuit 202 (e.g., from generator terminals HS and SR shown in FIG. 10 via a conductive pair of cable 112, 128). The control circuit 2002 may be coupled to a predetermined number of n switches to provide an indication of the configuration and/or operation of a surgical device 2000 (e.g., an ultrasonic device 104, an electrosurgical device 106, or a combined ultrasonic/electrosurgical device 104/106).

The switched resistance configuration control circuit 2002 employs variable pulse frequency to determine the states of pushbutton switches SW1, SW2, SW<sub>n</sub>. The control circuit 2002 utilizes both pulse polarities to detect up to  $2^n$  unique switch combinations and also supports communication to one or more memory devices 2004, 2006, such as, for example, two one-wire EEPROM(s). The use of variable frequency allows the detection method employed by the control circuit 2002 to be independent of external variable series resistance. A Schmitt trigger circuit 2008 is configured as an RC oscillator, where the frequency of oscillation is determined by the RC time constant set by the pushbutton switch configured resistors R1, R2, R3, R<sub>n+1</sub> and capacitor C3. An initial negative current pulse charges bulk capacitor C4 to be used as a power supply in order to freewheel between current source pulses. Then the current source generator is configured for zero current during frequency measurement. The output pulses are capacitively coupled by C5 back to the generator comparator. From here the oscillator frequency can be processed to determine the states of the switches SW1, SW2, SW<sub>n</sub>.

Depending on the open or closed state of switches SW1, SW2, SW<sub>n</sub> for example, the signal conditioning circuit 202 (e.g., from generator terminals HS and SR shown in FIG. 10 via a conductive pair of the cable 112, 128) would see a different frequency ( $f_0$ ) based on the switch selectable resistance. For an embodiment where n=3 and the control circuit 2002 includes three switches SW1, SW2, SW3, for example, there are eight unique switch configurable frequencies determined by the RC time constant for the Schmitt trigger 2008 based oscillator set by the by the pushbutton switch configured resistors R1, R2, R3, R4 and capacitor C3.

The frequency ( $f_0$ ) seen by the signal conditional conditioning circuit 202 based on the states of switches SW1, SW2, SW3, as described in Table 11, below:

TABLE 11

SW1	SW2	SW3	RC Time Constant	Frequency (Hz)
Open	Open	Open	$(R1 + R2 + R3 + R4)C3$	$f_1$
Open	Open	Closed	$(R1 + R2 + R3)C3$	$f_2$
Open	Closed	Open	$(R1 + R2 + R4)C3$	$f_3$
Open	Closed	Closed	$(R1 + R2)C3$	$f_4$
Closed	Open	Open	$(R1 + R3 + R4)C3$	$f_5$
Closed	Open	Closed	$(R1 + R3)C3$	$f_6$
Closed	Closed	Open	$(R1 + R4)C3$	$f_7$
Closed	Closed	Closed	$R1C3$	$f_8$

FIG. 96, is a graphical representation 2010 of one embodiment of a detection method showing detection regions for the control circuit 2002 comprising a variable frequency switched resistance circuit and a memory device, as described in connection with FIG. 95. Time (mS) is shown along the horizontal axis and Voltage (V) is shown along the vertical axis. As shown in FIG. 96, region 1 shows a pulse output of the generator 102 comparator circuit derived from the RC based oscillator circuit 2008 of control circuit 2001. As shown in Table 11, for n=3, there would be eight unique frequencies representing that state of each pushbutton switch SW1, SW2, SW3. Region 2 shows bulk supply capacitor C4 for the oscillator circuit 2008 being charged by a negative current pulse. Region 3 shows a pulse waveform on the generator 102 comparator input.

FIG. 97 illustrates one embodiment of a control circuit 2102 comprising a parallel switched resistance circuit with a precision voltage reference and at least one data element comprising at least one memory device employing a variable slope waveform to determine switch states. In one embodiment, the control circuit 2102 is operable by a control signal in the form of a differential current pulse. As previously discussed with respect to the control circuits 1602, 1702, 1802, 1902, 2002 shown in FIGS. 87, 92, 93, 94, and 95, the control circuit 2102 interfaces with a current source (generator), which outputs periodic positive and negative constant current pulses at  $\pm 15$  mA as shown in FIG. 88, for example. The control circuit 2102 utilizes both pulse polarities to detect up to  $2^n$  unique switch combinations and also supports communication to one or more memory devices 2104, 2106, such as, for example, two one-wire EEPROM(s).

In one embodiment, the control circuit 2102 may be connected to the generator 102 to receive an interrogation signal (e.g., a bipolar interrogation signal at a predetermined frequency, such as 2 kHz, for example) from the signal conditioning circuit 202 (e.g., from generator terminals HS and SR shown in FIG. 10 via a conductive pair of cable 112, 128). The control circuit 2102 may be coupled to a predetermined number of n switches to provide an indication of the configuration and/or operation of a surgical device 2100 (e.g., an ultrasonic device 104, an electrosurgical device 106, or a combined ultrasonic/electrosurgical device 104/106).

The control circuit 2102 employs a variable slope waveform to determine the states of pushbutton switches SW1, SW2, SW<sub>n</sub>. A constant current pulse source drives a current into a capacitive load, e.g., capacitor C6 to generate a slope dependent on the capacitance value of capacitor C6. Using a shunt regulator D6 and charged capacitor combination creates an active circuit that varies the slope by varying the



switch configurable resistance  $R_1, R_2, R_3, R_{n+1}$  rather than varying the capacitance  $C_6$ . Each pushbutton switch  $SW_1, SW_2, SW_n$  state creates a unique ramp slope as shown in FIG. 98 based on a unique time constant determined by a combination of capacitor  $C_6$  and resistance  $R_1, R_2, R_3, R_{n+1}$  as selected by switches  $SW_1, SW_2, SW_n$ .

Depending on the open or closed state of switches  $SW_1, SW_2, SW_n$  for example, the signal conditioning circuit 202 (e.g., from generator terminals HS and SR shown in FIG. 10 via a conductive pair of the cable 112, 128) would see a different ramp slope based on a unique time constant based on the switch selectable resistance. For an embodiment where  $n=3$  and the control circuit 2102 includes three switches  $SW_1, SW_2, SW_3$ , for example, there are eight unique switch configurable ramp slopes determined by the RC time constant determined by the pushbutton switch configured resistors  $R_1, R_2, R_3, R_4$  and capacitor  $C_6$ . The ramp slope seen by the signal conditional conditioning circuit 202 based on the state of each switch combination  $SW_1, SW_2, SW_3$ , as described in Table 12, below:

TABLE 12

SW1	SW2	SW3	RC Time Constant	Ramp Slope (V/t)
Open	Open	Open	$R_1C_6$	Ramp/Slope <sub>1</sub>
Open	Open	Closed	$(R_1 \parallel R_4)C_6$	Ramp/Slope <sub>2</sub>
Open	Closed	Open	$(R_1 \parallel R_3)C_6$	Ramp/Slope <sub>3</sub>
Open	Closed	Closed	$(R_1 \parallel R_3 \parallel R_4)C_6$	Ramp/Slope <sub>4</sub>
Closed	Open	Open	$(R_1 \parallel R_2)C_6$	Ramp/Slope <sub>5</sub>
Closed	Open	Closed	$(R_1 \parallel R_2 \parallel R_4)C_6$	Ramp/Slope <sub>6</sub>
Closed	Closed	Open	$(R_1 \parallel R_2 \parallel R_3)C_6$	Ramp/Slope <sub>7</sub>
Closed	Closed	Closed	$(R_1 \parallel R_2 \parallel R_3 \parallel R_4)C_6$	Ramp/Slope <sub>8</sub>

FIG. 98 is a graphical representation 2110 of one embodiment of a detection method showing detection regions for the control circuit 2102 comprising a variable ramp/slope switched resistance circuit and a memory device, as described in connection with FIG. 97. Time (mS) is shown along the horizontal axis and ADC counts is shown along the vertical axis. Region 1 shows the variable slope controlled by the time constant determined by capacitor  $C_6$  and switch  $SW_1, SW_2, SW_3$  configurable resistance  $R_1, R_2, R_3, R_4$ . Each switch  $SW_1, SW_2, SW_3$  state provides a unique slope. Region 2 is the time region to reset the RC time constant. Simulation modeling confirmed immunity to very high contact corrosion resistance. Nevertheless, time based measurement may be susceptible to cable inductance and capacitance due to fast transient edges of signaling. Accordingly, compensation circuits for cable inductance and capacitance due to fast transient edges of signaling are contemplated within this disclosure. Slope detection would minimize risk of false switch state detection. The current pulse rising and falling edges may need to be slower than the lowest resonance frequency of the cable, for example. The embodiments, however, are not limited in this context.

FIG. 99 illustrates one embodiment of a control circuit 2202 comprising a one-wire multi-switch input device. As previously discussed with respect to the control circuits 1602, 1702, 1802, 1902, 2002, 2102 shown in FIGS. 87, 92, 93, 94, 95, and 97, the control circuit 2202 interfaces with a current source (generator), which outputs periodic positive and negative constant current pulses at  $\pm 15$  mA as shown in FIG. 88, for example. The control circuit 2202 utilizes both pulse polarities to detect up to  $2^n$  unique switch combinations and also supports communication to one or more memory devices, such as, for example, two one-wire EEPROM(s), which are not shown in FIG. 99 for conciseness and clarity, but may be included in various aspects of this embodiment. Also, diode pair  $D_2/D_4$  for bidirectional power are not shown in FIG. 99 for conciseness and clarity, but may be included in various aspects of this embodiment.

In one embodiment, the control circuit 2202 may be connected to the generator 102 to receive an interrogation signal (e.g., a bipolar interrogation signal at a predetermined frequency, such as 2 kHz, for example) from the signal conditioning circuit 202 (e.g., from generator terminals HS and SR shown in FIG. 10 via a conductive pair of cable 112, 128). The control circuit 2202 may be coupled to a predetermined number of  $n$  switches to provide an indication of the configuration and/or operation of a surgical device 2200 (e.g., an ultrasonic device 104, an electrosurgical device 106, or a combined ultrasonic/electrosurgical device 104/106).

In one embodiment, the one-wire multi-switch input device of the control circuit 2202 employs a one-wire port expansion device 2204 such as a Maxim DS2408 8-channel, programmable I/O one-wire integrated circuit available from Maxim Integrated Products, Inc., Sunnyvale, Calif., or equivalents thereof, known under the trade name "1-Wire." The port expansion device 2204 may be powered from the negative current pulse of the generator 102. The port expansion device 2204 complies with the one-wire communication protocol to accommodate up to eight switch inputs 2208. The port expansion device 2204 outputs are configured as open-drain and provide an on resistance of  $100\Omega$  max. A robust channel-access communication protocol ensures that the output-setting changes occur error-free. A data-valid strobe output can be used to latch port expansion device 2204 logic states into external circuitry such as a D/A converter (DAC) or microcontroller data bus. The port expansion device 2204 selects one of eight switches  $SW_1-SW_8$  to select one of eight corresponding resistors 1-8 in resistor bank 2210. In one embodiment, for example, a detection method comprises reading any one of switches  $SW_1-SW_8$  state using the one-wire communication protocol of the control circuit 2202 utilizing the same software functionality used to read the surgical device 2200 EEPROMs. In other embodiments, the control circuit 2202 can be expanded to read additional switch inputs. In one embodiment, cyclic redundancy code (CRC) error checking may be employed to eliminate or minimize uncertainty of switch states. It may be possible that one-wire communications may be susceptible to activation noise from other electrosurgical instruments, accordingly, compensation circuits and techniques to minimize interference from such electrosurgical instruments are contemplated within this disclosure.

Although the various embodiments of the devices have been described herein in connection with certain disclosed embodiments, many modifications and variations to those embodiments may be implemented. For example, different types of end effectors may be employed. Also, where materials are disclosed for certain components, other materials may be used. The foregoing description and following claims are intended to cover all such modification and variations.

Any patent, publication, or other disclosure material, in whole or in part, that is said to be incorporated by reference herein is incorporated herein only to the extent that the incorporated materials does not conflict with existing definitions, statements, or other disclosure material set forth in this disclosure. As such, and to the extent necessary, the disclosure as explicitly set forth herein supersedes any conflicting material incorporated herein by reference. Any



material, or portion thereof, that is said to be incorporated by reference herein, but which conflicts with existing definitions, statements, or other disclosure material set forth herein will only be incorporated to the extent that no conflict arises between that incorporated material and the existing disclosure material.

We claim:

1. A surgical device, the surgical device comprising:
  - [an end effector to act on tissue; and]
  - a control circuit configured for communication with a surgical generator, the control circuit comprising:
    - a conductor pair to communicate with the surgical generator;
    - a first circuit portion comprising:
      - a first switch configured to switch between an open state and a closed state;
      - a first resistor coupled in parallel with the first switch;
      - a second switch configured to switch between an open state and a closed state; and
      - a second resistor coupled in parallel with the second switch, wherein a combination of the first switch and the first resistor is coupled [in series] with a combination of the second switch and the second resistor;
    - [a voltage reference coupled in parallel with the first circuit portion,]
  - wherein the control circuit is configured to receive from the generator and over the conductor pair an interrogation signal, wherein a state of at least one of the first switch or the second switch is determined from at least one characteristic of the interrogation signal;
  - a capacitor coupled in parallel with the first circuit portion;
  - a resistor coupled in [series] parallel with the first circuit portion; and
  - a memory device coupled to the first circuit portion.
2. The surgical device of claim 1, wherein the state of the first switch is determinable based on a slope of a voltage on the capacitor.
3. The surgical device of claim 1, comprising an oscillator in communication with the at least one switch, wherein the state of the at least one switch is determinable based on a frequency of the oscillator.
4. The surgical device of claim 1, comprising a one-wire multi-switch input device coupled to the at least one switch, wherein the state of the at least one switch is communicated to the generator over a one-wire communication protocol.
5. The surgical device of claim 1, wherein the interrogation signal is a differential constant current pulse having a positive phase and a negative phase.
6. The surgical device of claim 1, wherein the memory device comprises at least one one-wire electrically erasable programmable read only memory (EEPROM).
7. The surgical device of claim 5, wherein the positive phase of the interrogation signal is a positive transition of the differential constant current pulse and the negative phase of the differential constant current pulse is a negative transition of the differential constant current pulse.
8. *The surgical device of claim 1, further comprising an end effector to act on tissue.*
9. *The surgical device of claim 1, wherein the first resistor is coupled in series with a combination of the second switch and the second resistor.*
10. *The surgical device of claim 1, further comprising a rectifier coupled in parallel with the first circuit portion.*

11. *The surgical device of claim 1, further comprising a voltage reference.*

12. *The surgical device of claim 1, further comprising a resistor coupled in series with the first circuit portion.*

13. *A surgical device, the surgical device comprising: a control circuit configured for communication with a surgical generator, the control circuit comprising:*

*a conductor pair to communicate with the surgical generator;*

*a first circuit portion comprising:*

*a first switch configured to switch between an open state and a closed state;*

*a first resistor coupled with the first switch;*

*a second switch configured to switch between an open state and a closed state; and a second resistor coupled with the second switch, wherein a combination of the first switch and the first resistor is coupled with a combination of the second switch and the second resistor;*

*wherein the control circuit is configured to receive from the generator and over the conductor pair an interrogation signal, wherein a state of at least one of the first switch or the second switch is determined from at least one characteristic of the interrogation signal;*

*a capacitor coupled in parallel with the first circuit portion;*

*a resistor coupled in parallel with the first circuit portion; and*

*a memory device coupled to the first circuit portion.*

14. *The surgical device of claim 13, further comprising a rectifier coupled in parallel with the first circuit portion.*

15. *The surgical device of claim 13, wherein the state of the first switch is determinable based on a slope of a voltage on the capacitor.*

16. *The surgical device of claim 13, comprising an oscillator in communication with the at least one switch, wherein the state of the at least one switch is determinable based on a frequency of the oscillator.*

17. *The surgical device of claim 13, comprising a one-wire multi-switch input device coupled to the at least one switch, wherein the state of the at least one switch is communicated to the generator over a one-wire communication protocol.*

18. *The surgical device of claim 13, wherein the interrogation signal is a differential constant current pulse having a positive phase and a negative phase.*

19. *The surgical device of claim 13, wherein the memory device comprises at least one one-wire electrically erasable programmable read only memory (EEPROM).*

20. *The surgical device of claim 18, wherein the positive phase of the interrogation signal is a positive transition of the differential constant current pulse and the negative phase of the differential constant current pulse is a negative transition of the differential constant current pulse.*

21. *A surgical device, the surgical device comprising: a control circuit configured for communication with a surgical generator, the control circuit comprising:*

*a conductor pair to communicate with the surgical generator;*

*a first circuit portion comprising:*

*a first switch configured to switch between an open state and a closed state;*

*a first resistor coupled in parallel with the first switch;*

*a second switch configured to switch between an open state and a closed state; and*

*a second resistor coupled in parallel with the second switch, wherein at least one of the first switch or the*



87

*first resistor is coupled in series with at least one of the second switch or the second resistor;*  
*wherein the control circuit is configured to receive from the generator and over the conductor pair an interrogation signal, wherein a state of at least one of the first switch or the second switch is determined from at least one characteristic of the interrogation signal;*  
*a capacitor coupled in parallel with the first circuit portion;*  
*a resistor coupled in parallel with the first circuit portion;*  
*and*  
*a memory device coupled to the first circuit portion.*  
 22. *The surgical device of claim 21, further comprising a rectifier coupled in parallel with the first circuit portion.*  
 23. *The surgical device of claim 21, wherein the state of the first switch is determinable based on a slope of a voltage on the capacitor.*  
 24. *The surgical device of claim 21, comprising an oscillator in communication with the at least one switch,*

88

*wherein the state of the at least one switch is determinable based on a frequency of the oscillator.*

25. *The surgical device of claim 21, comprising a one-wire multi-switch input device coupled to the at least one switch, wherein the state of the at least one switch is communicated to the generator over a one-wire communication protocol.*

26. *The surgical device of claim 21, wherein the interrogation signal is a differential constant current pulse having a positive phase and a negative phase.*

27. *The surgical device of claim 21, wherein the memory device comprises at least one one-wire electrically erasable programmable read only memory (EEPROM).*

28. *The surgical device of claim 27, wherein the positive phase of the interrogation signal is a positive transition of the differential constant current pulse and the negative phase of the differential constant current pulse is a negative transition of the differential constant current pulse.*

\* \* \* \* \*