



US00RE47962E

(19) **United States**
(12) **Reissued Patent**
White

(10) **Patent Number:** **US RE47,962 E**
(45) **Date of Reissued Patent:** **Apr. 28, 2020**

(54) **OFFSET DISPLAY HOLDER**

DESCRIPTION

- (71) Applicant: **K-International, Inc.**, Waukegan, IL (US)
- (72) Inventor: **Michael J. White**, Ripon, WI (US)
- (73) Assignee: **K-International, Inc.**, Waukegan, IL (US)
- (21) Appl. No.: **29/604,422**
- (22) Filed: **May 17, 2017**

Related U.S. Patent Documents

Reissue of:

- (64) Patent No.: **Des. 749,404**
- Issued: **Feb. 16, 2016**
- Appl. No.: **29/484,730**
- Filed: **Mar. 12, 2014**

- (51) **LOC (12) Cl.** **08-05**
- (52) **U.S. Cl.**
USPC **D8/380**
- (58) **Field of Classification Search**
USPC D25/122, 123, 124, 125; D8/380, 349,
D8/354, 381, 373; D6/702; D20/40, 42,
D20/43

(Continued)

(56) **References Cited**

U.S. PATENT DOCUMENTS

- D238,412 S * 1/1976 De Mars D20/43
- D322,634 S * 12/1991 Callas D20/42

(Continued)

Primary Examiner — Philip S Hyder

(74) *Attorney, Agent, or Firm* — Schiff Hardin LLP

(57) **CLAIM**

The ornamental design of an offset display holder, as shown and described.

FIG. 1 is a perspective view taken from the front, top, right side of the offset display holder showing my new design; FIG. 2 is a top plan view of the offset display holder of FIG. 1;

FIG. 3 is a bottom plan view of the offset display holder of FIG. 1;

FIG. 4 is a front elevational view of the offset display holder of FIG. 1;

FIG. 5 is a back elevational view of the offset display holder of FIG. 1; and

FIG. 6 is a right side elevational view of the offset display holder of FIG. 1; [and,]

FIG. 7 is a left side elevational view of the offset display holder of FIG. 1[.];

FIG. 8 is a perspective view taken from the front, top, right side of the offset display holder showing a second embodiment of my new design;

FIG. 9 is a top plan view of the offset display holder of FIG. 8;

FIG. 10 is a bottom plan view of the offset display holder of FIG. 8;

FIG. 11 is a front elevational view of the offset display holder of FIG. 8;

FIG. 12 is a back elevational view of the offset display holder of FIG. 8;

FIG. 13 is a right side elevational view of the offset display holder of FIG. 8;

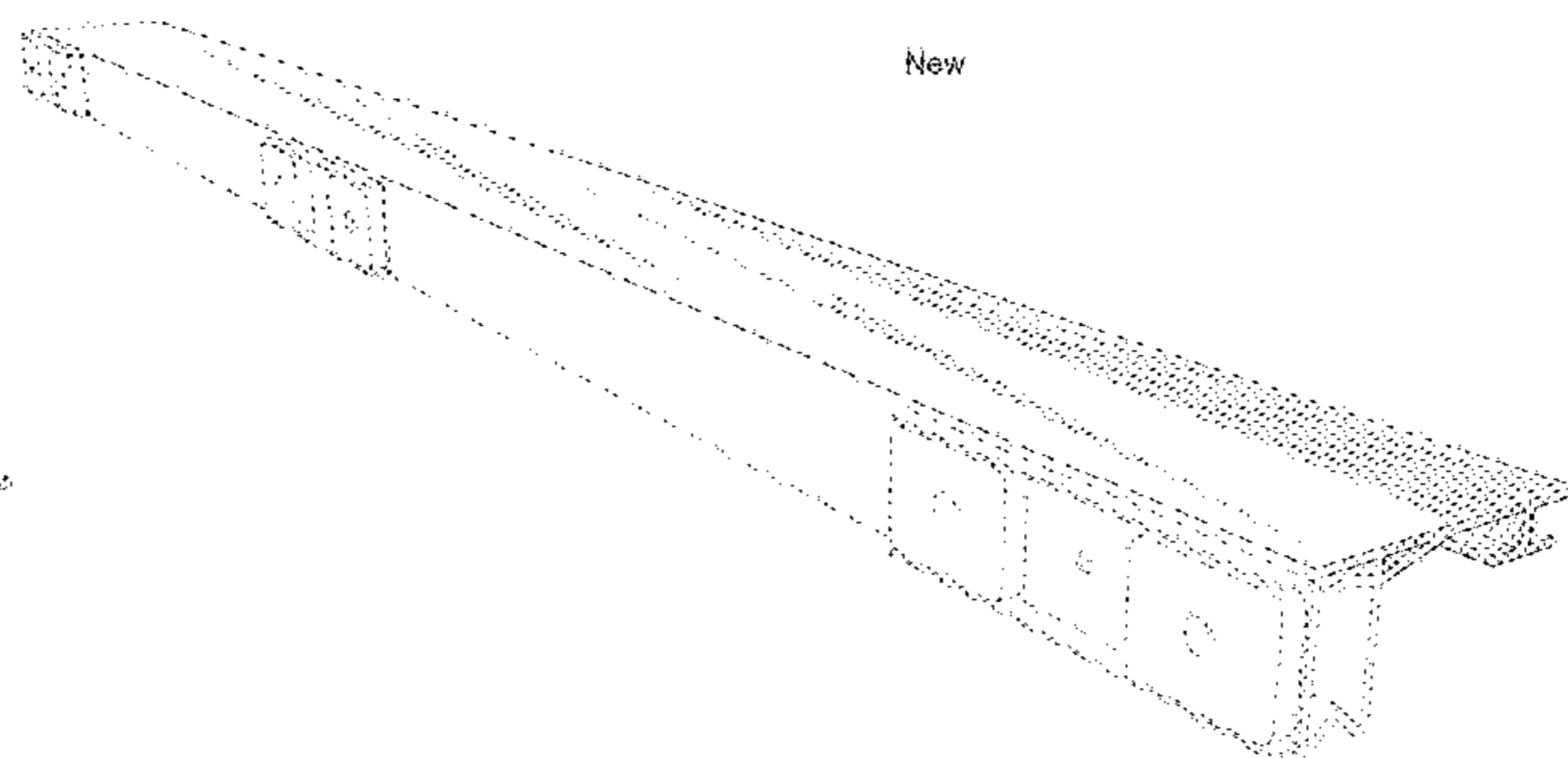
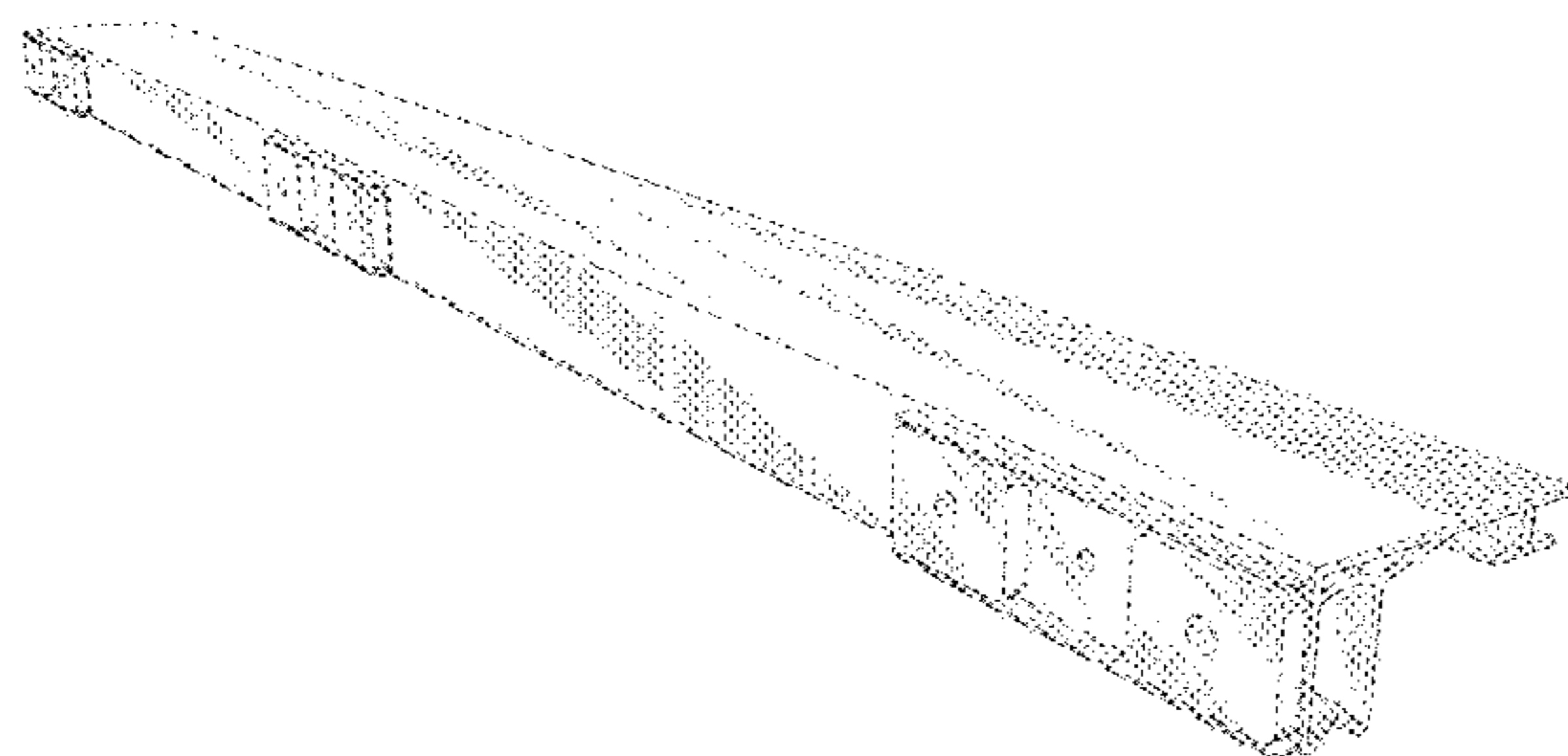
FIG. 14 is a left side elevational view of the offset display holder of FIG. 8; and,

FIG. 15 is an enlarged view of FIG. 13.

Portions shown in broken lines depict environmental subject matter only and form no part of the claimed design.

1 Claim, 6 Drawing Sheets

Matter enclosed in heavy brackets [] appears in the original patent but forms no part of this reissue; matter printed in italics indicates the additions made by reissue.



(58) **Field of Classification Search**

CPC G09F 7/04; G09F 1/10; G09F 1/12; G09F
19/00; G09F 5/00; G09F 1/08; G09F 3/08

See application file for complete search history.

(56) **References Cited**

U.S. PATENT DOCUMENTS

D372,939	S	*	8/1996	Callas	D20/43
D381,695	S	*	7/1997	Lewis	D20/40
D386,531	S	*	11/1997	Callas	D20/40
D389,259	S	*	1/1998	Tichy et al.	D20/43
D389,526	S	*	1/1998	Callas	D20/43
D423,592	S	*	4/2000	Wamsley	D20/42
D496,248	S	*	9/2004	Liebendorfer	D8/354
D511,548	S	*	11/2005	Wamsley	D20/43
D537,326	S	*	2/2007	Wolff et al.	D8/381
D669,135	S	*	10/2012	Garfinkle	D20/43
D673,223	S	*	12/2012	White	D20/43

* cited by examiner

FIG. 1

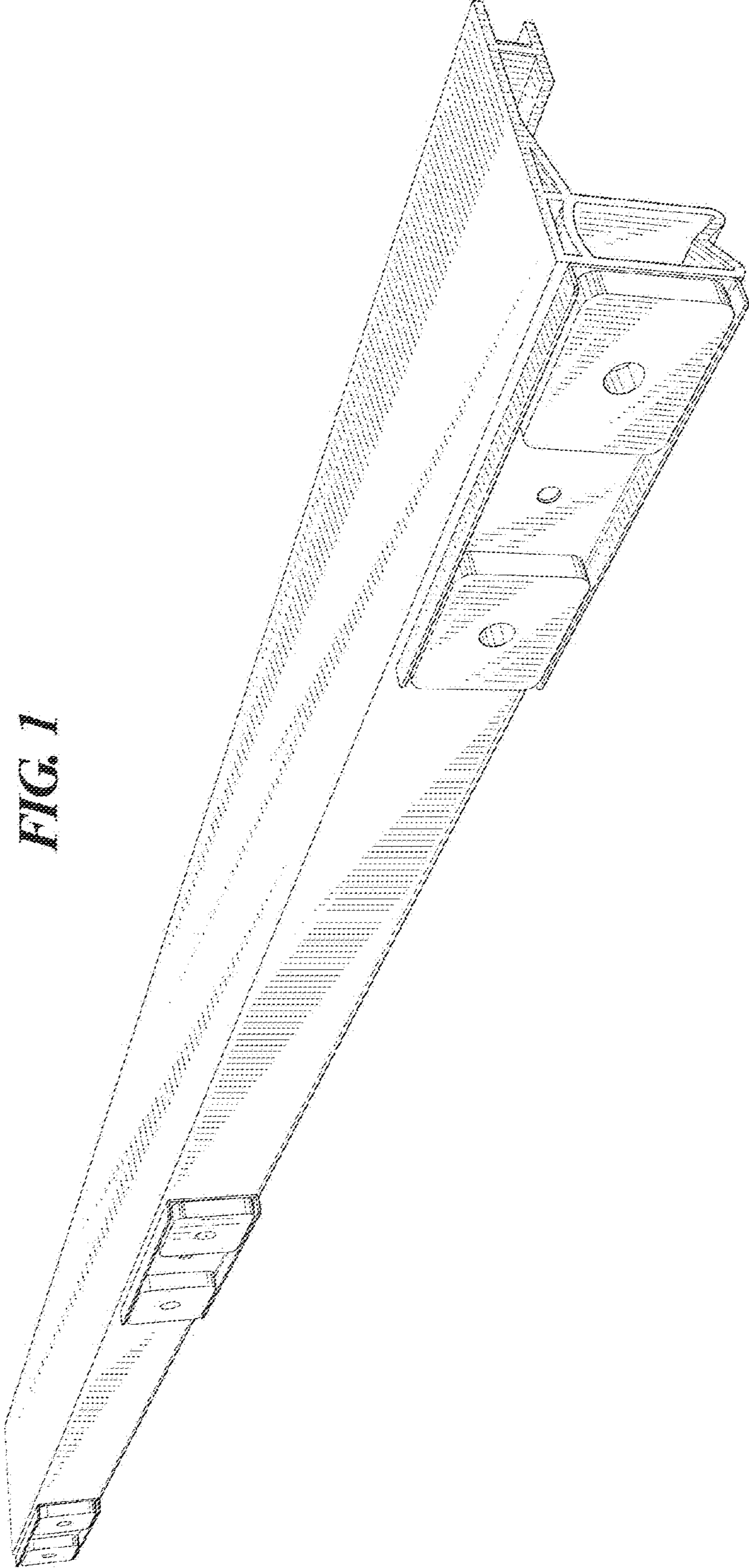


FIG. 2

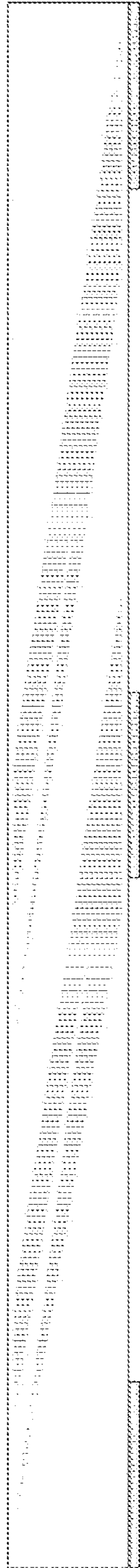


FIG. 3

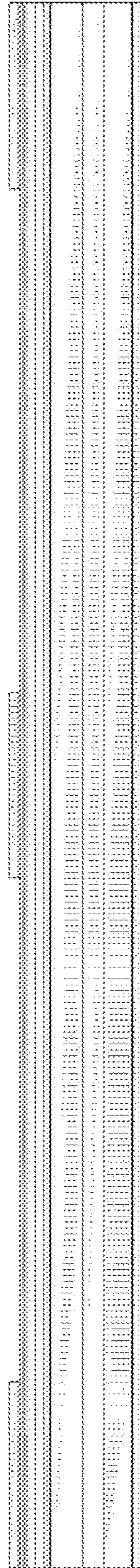


FIG. 4



FIG. 5



FIG. 6

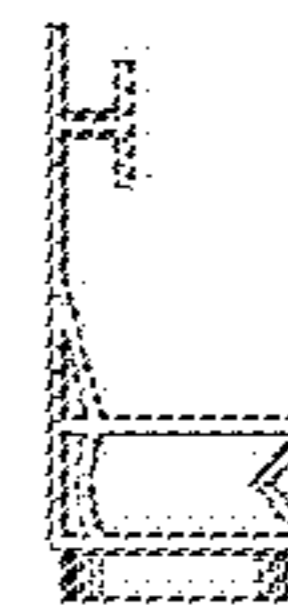
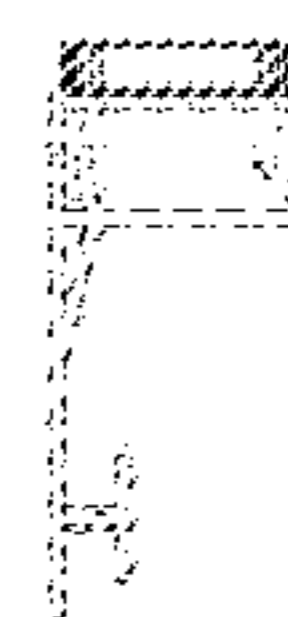


FIG. 7



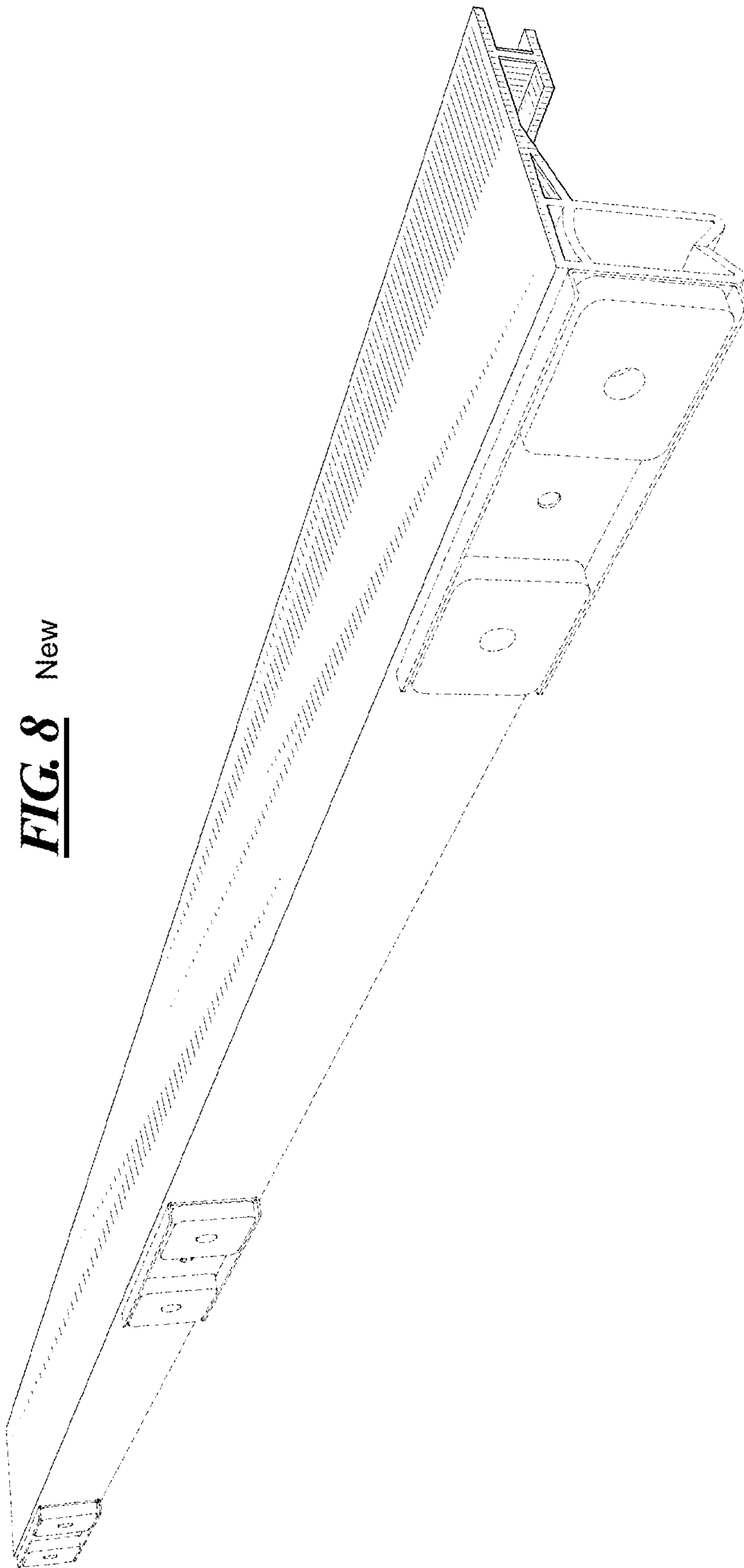


FIG. 8 New

FIG. 9 New

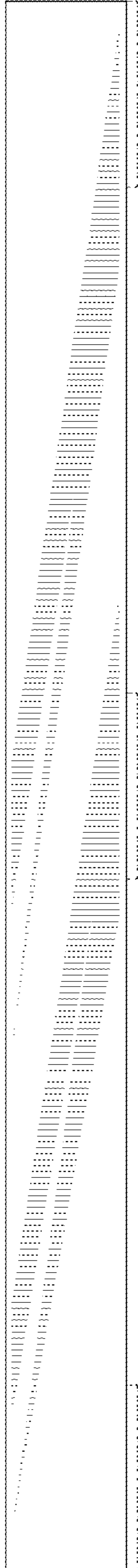


FIG. 10 New

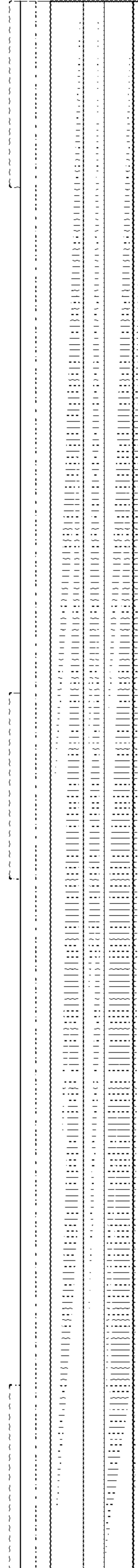


FIG. 11 ^{New}

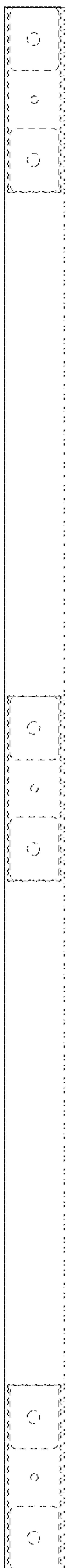


FIG. 12 ^{New}

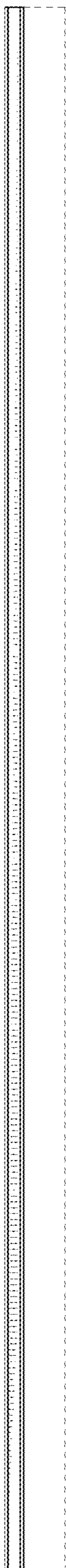


FIG. 13 ^{New}



FIG. 15 ^{New}

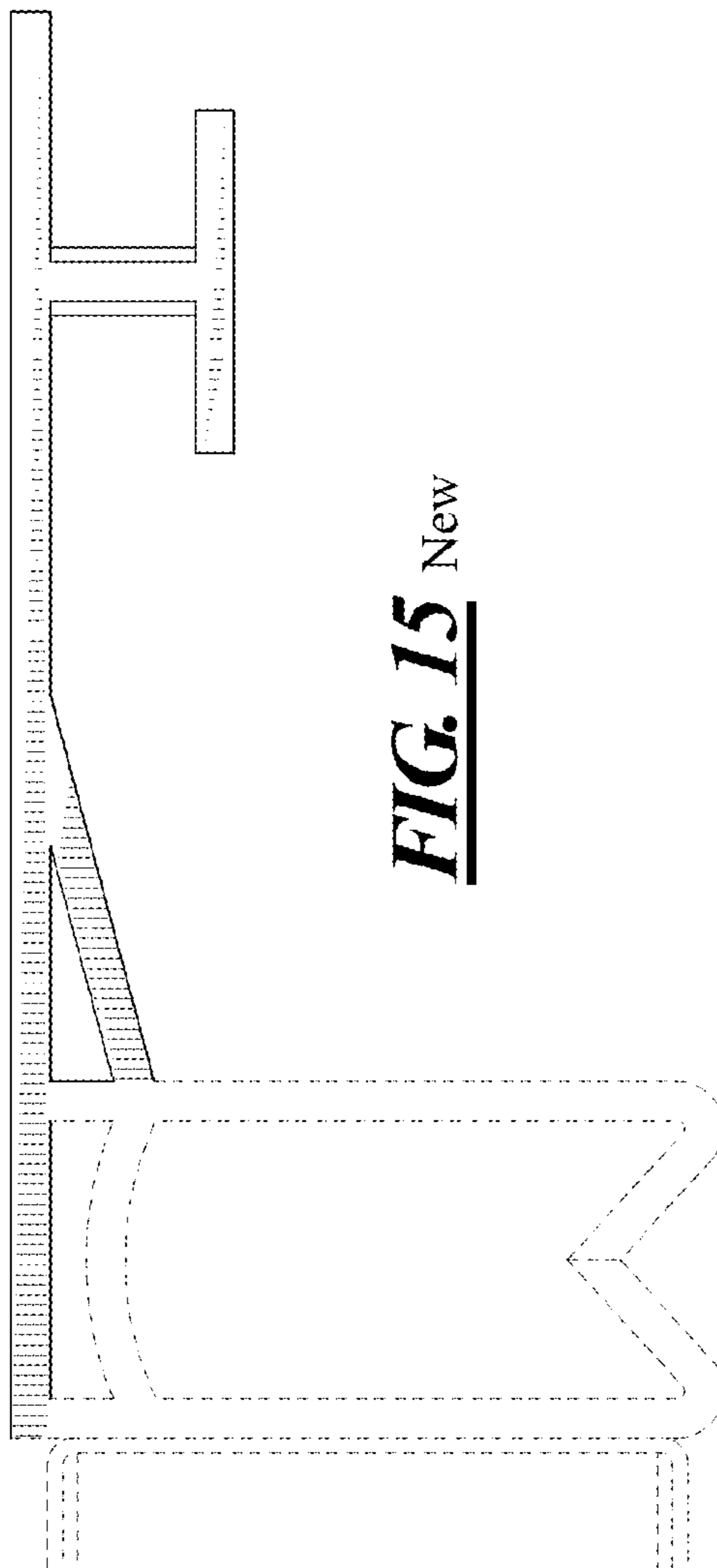


FIG. 14 ^{New}

