

US00RE47961E

(19) **United States**
(12) **Reissued Patent**
Pedersen

(10) **Patent Number: US RE47,961 E**
(45) **Date of Reissued Patent: Apr. 28, 2020**

(54) **LOUNGE CHAIR**

(71) Applicant: **Gloster Furniture Limited**, Bristol (GB)

(72) Inventor: **Henrik Pedersen**, Aarhus C (DK)

(73) Assignee: **Gloster Furniture Limited**, Bristol (GB)

(21) Appl. No.: **29/698,365**

(22) Filed: **Jul. 16, 2019**

Related U.S. Patent Documents

Reissue of:

(64) Patent No.: **Des. 792,121**
Issued: **Jul. 18, 2017**
Appl. No.: **29/505,790**
Filed: **Feb. 10, 2016**

(51) **LOC (12) Cl.** **06-01**

(52) **U.S. Cl.**
USPC **D6/379; D6/381**

(58) **Field of Classification Search**
USPC **D6/334, 335, 360, 367, 368, 371-375**
(Continued)

(56) **References Cited**

U.S. PATENT DOCUMENTS

D133,849 S * 9/1942 Brodovitch D6/375
D155,023 S * 8/1949 Michals D6/334
(Continued)

Primary Examiner — Philip S Hyder

(74) Attorney, Agent, or Firm — Ladas & Parry LLP

(57) **CLAIM**

The ornamental design for a lounge chair, as shown.

DESCRIPTION

FIG. 1 is a top right front perspective view of a preferred embodiment of the lounge chair showing my new design;

FIG. 2 is a bottom rear perspective thereof;
FIG. 3 is a front plan view thereof;
FIG. 4 is a rear plan view thereof;
FIG. 5 is a top elevation thereof;
FIG. 6 is a bottom elevation thereof;
FIG. 7 is a right side elevation thereof; [and]
FIG. 8 is a left side elevation thereof[.];
FIG. 9 is a top right front perspective view of a double seat embodiment of the lounge chair showing my new design;
FIG. 10 is a bottom rear perspective of the double seat embodiment;
FIG. 11 is a front plan view of the double seat embodiment;
FIG. 12 is a rear plan view of the double seat embodiment;
FIG. 13 is a top elevation of the double seat embodiment;
FIG. 14 is bottom elevation of the double seat embodiment;
FIG. 15 is a right side elevation of the double seat embodiment; [and]
FIG. 16 is a left side elevation of the double seat embodiment;
FIG. 17 is a top right front perspective view of a triple seat embodiment of the lounge chair showing my new design;
FIG. 18 is a bottom rear perspective of the triple seat embodiment;
FIG. 19 is a front plan view of the triple seat embodiment;
FIG. 20 is a rear plan view of the double seat embodiment;
FIG. 21 is top elevation of the triple seat embodiment;
FIG. 22 is a bottom elevation of the triple seat embodiment;
FIG. 23 is a right side elevation of the triple seat embodiment; [and,]
FIG. 24 is a left side elevation of the triple seat embodiment[.];
FIG. 25 is a top right front perspective view of a variant of the first embodiment of the lounge chair showing my new design;
FIG. 26 is a bottom rear perspective thereof;
FIG. 27 is a front plan view thereof;
FIG. 28 is a rear plan view thereof;
FIG. 29 is a top elevation thereof;
FIG. 30 is a bottom elevation thereof;
FIG. 31 is a right side elevation thereof;
FIG. 32 is a left side elevation thereof;
FIG. 33 is a top right front perspective view of a variant of the second embodiment of the lounge chair showing my new design;
FIG. 34 is a bottom rear perspective thereof;
FIG. 35 is a front plan view thereof;
FIG. 36 is a rear plan view thereof;
FIG. 37 is a top elevation thereof;

(Continued)

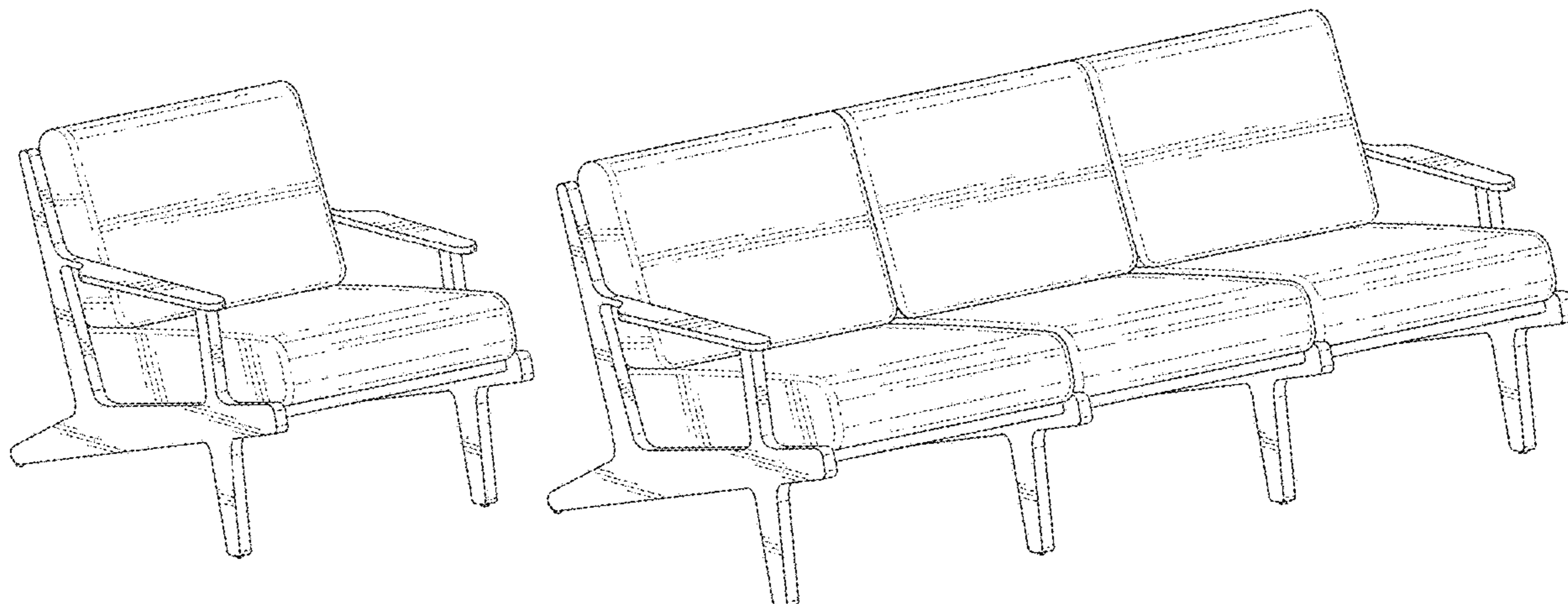


FIG. 38 is bottom elevation thereof;
 FIG. 39 is a right side elevation thereof;
 FIG. 40 is a left side elevation thereof;
 FIG. 41 is a top right front perspective view of a variant of the third embodiment of the lounge chair showing my new design;
 FIG. 42 is a bottom rear perspective thereof;
 FIG. 43 is a front plan view thereof;
 FIG. 44 is a rear plan view thereof;
 FIG. 45 is top elevation thereof;
 FIG. 46 is a bottom elevation thereof;
 FIG. 47 is a right side elevation thereof; and,
 FIG. 48 is a left side elevation thereof.
 The broken lines shown in the drawings illustrate portions of the lounge chair that form no part of the claimed design.

1 Claim, 32 Drawing Sheets

Matter enclosed in heavy brackets [] appears in the original patent but forms no part of this reissue; matter printed in italics indicates the additions made by reissue.

(58) Field of Classification Search

CPC A47C 7/00; A47C 7/62; A47C 7/18; A47C 7/54; A47C 4/00; A47C 4/028; A47C

4/28; A47C 3/16; A47C 3/04; A47C 3/12;
 A47C 1/02; A47C 1/14

See application file for complete search history.

(56)

References Cited

U.S. PATENT DOCUMENTS

D165,788	S	*	1/1952	Risom	D6/379
2,587,881	A	*	3/1952	Oakes	A47C 4/02 297/327
D171,521	S	*	2/1954	Taffae	D6/334
D177,081	S	*	3/1956	Wells	D6/334
D177,366	S	*	4/1956	Cutrow	D6/375
D182,901	S	*	5/1958	Kaehn	D6/374
D183,618	S	*	9/1958	Kofod-Larsen	D6/379
D187,424	S	*	3/1960	Frank	D6/335
D193,842	S	*	10/1962	Ohlsson	D6/379
D193,843	S	*	10/1962	Ohlsson	D6/379
D193,844	S	*	10/1962	Ohlsson	D6/379
D267,057	S	*	11/1982	Koehm	D6/368
D282,800	S	*	3/1986	Sorensen	D6/334
D293,842	S	*	1/1988	Titi	D32/73
D440,422	S	*	4/2001	DeJule	D6/371
D635,788	S	*	4/2011	Schwamkrug	D6/371
D690,952	S	*	10/2013	Becker	D6/374
D767,295	S	*	9/2016	Haase	D6/374

* cited by examiner

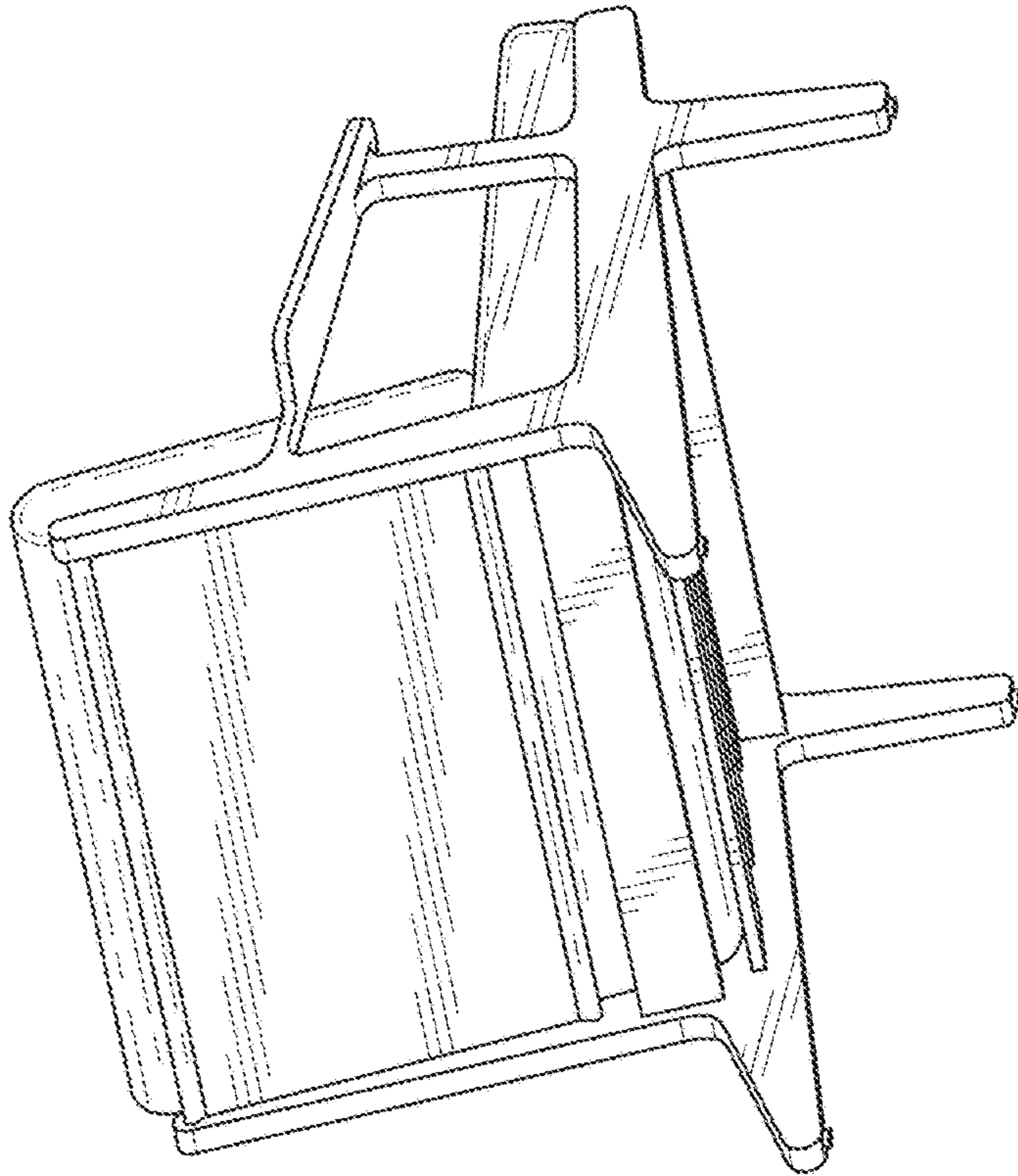


FIG. 2

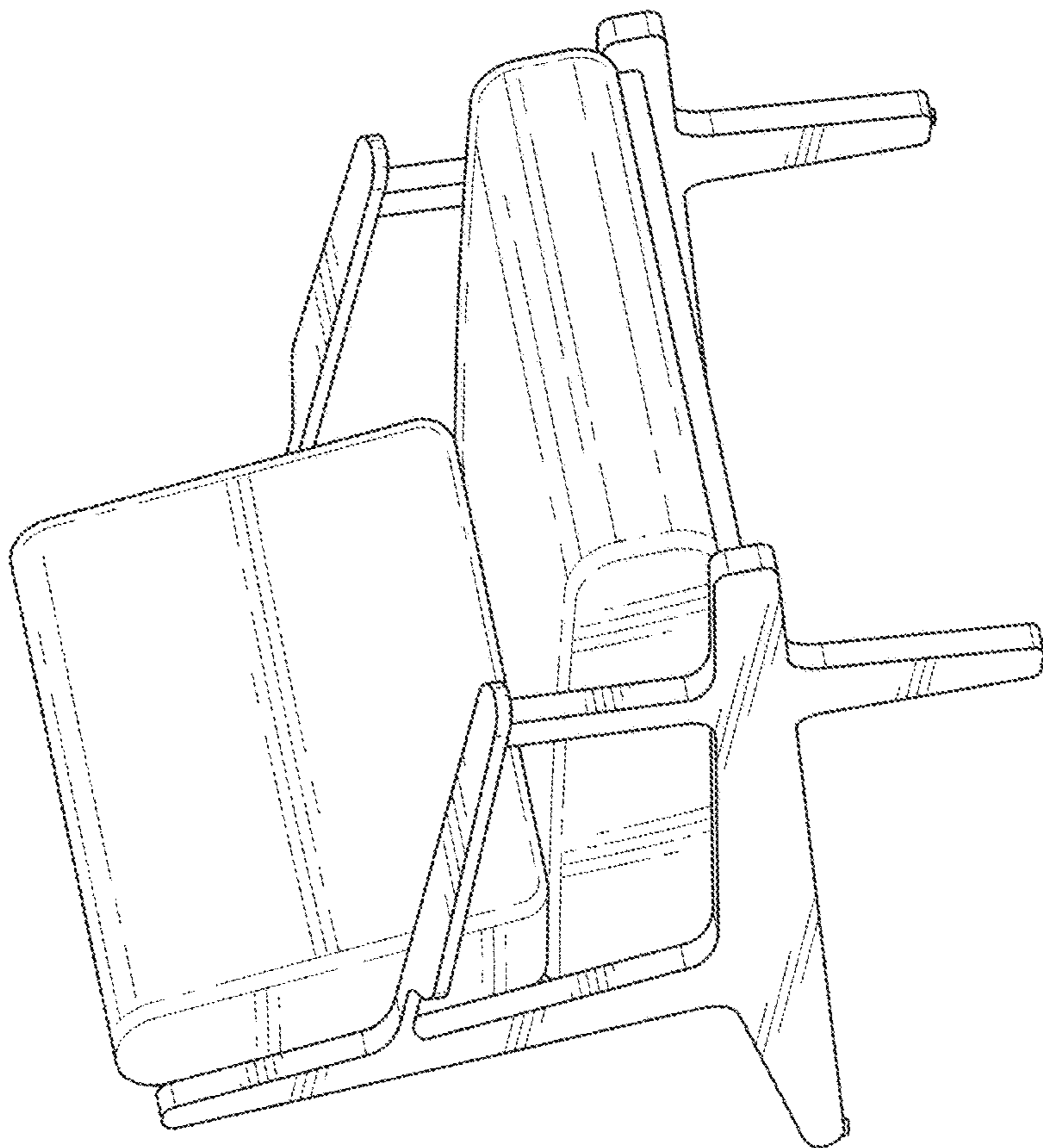


FIG. 1

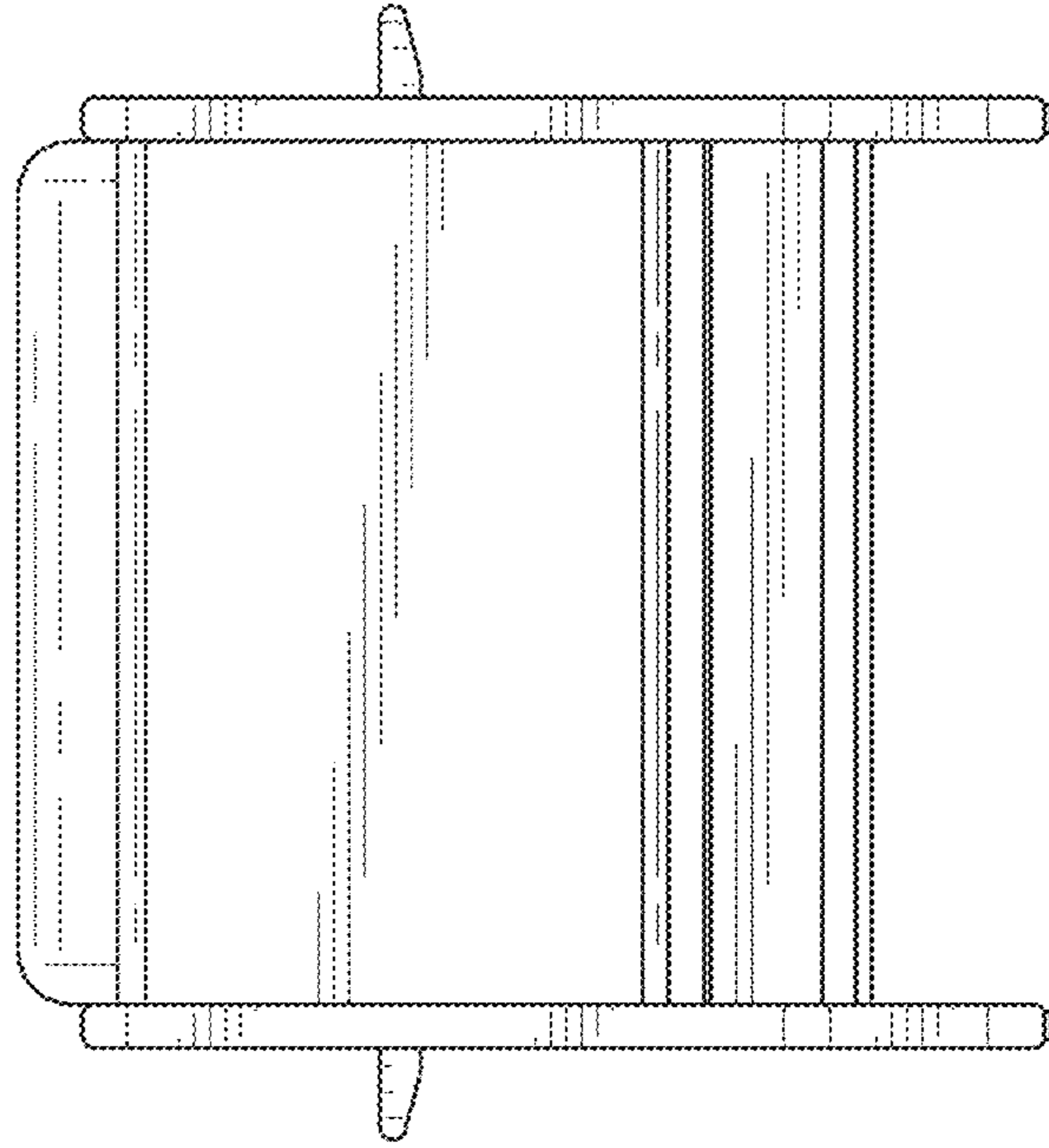


FIG. 3

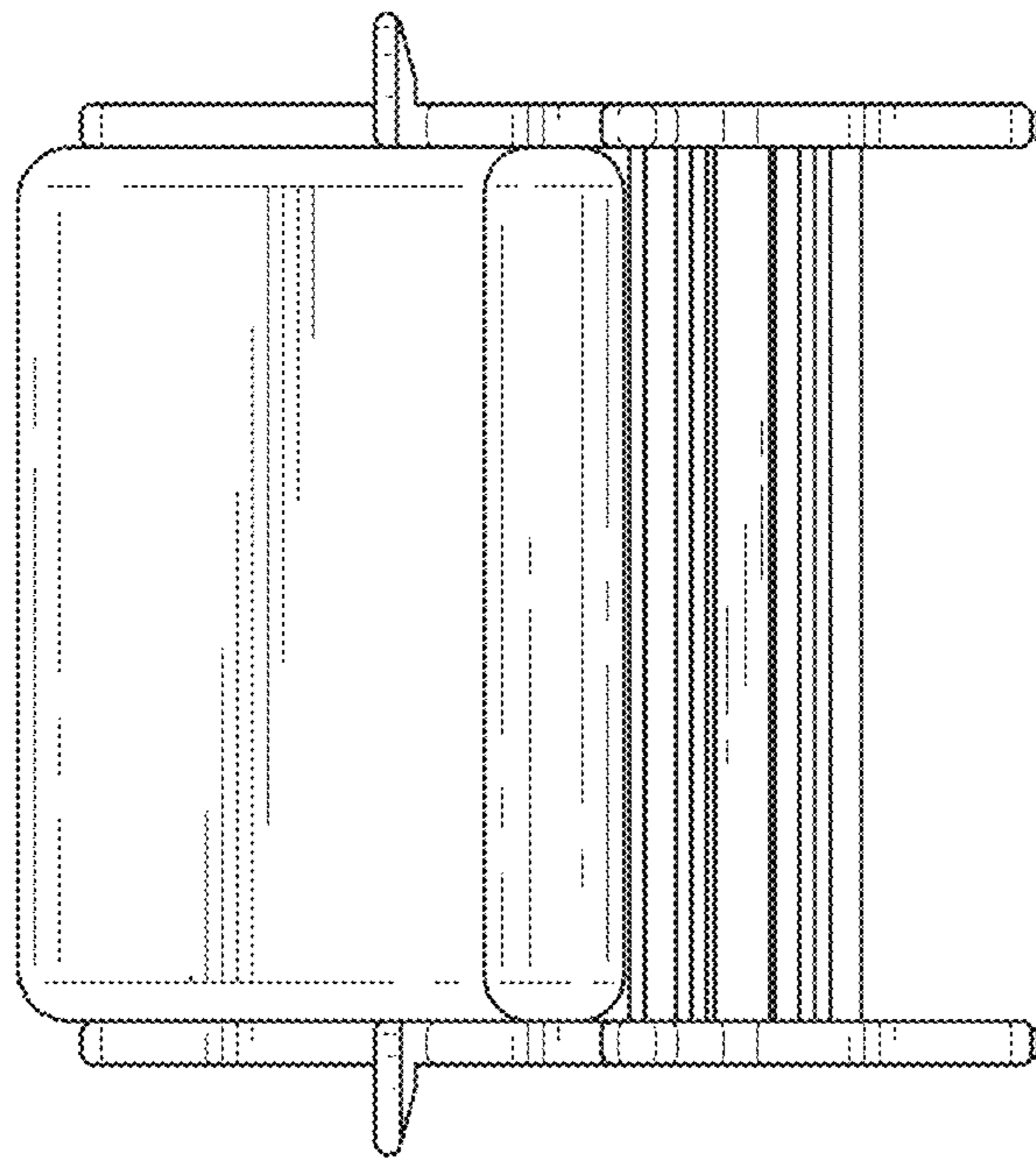


FIG. 4

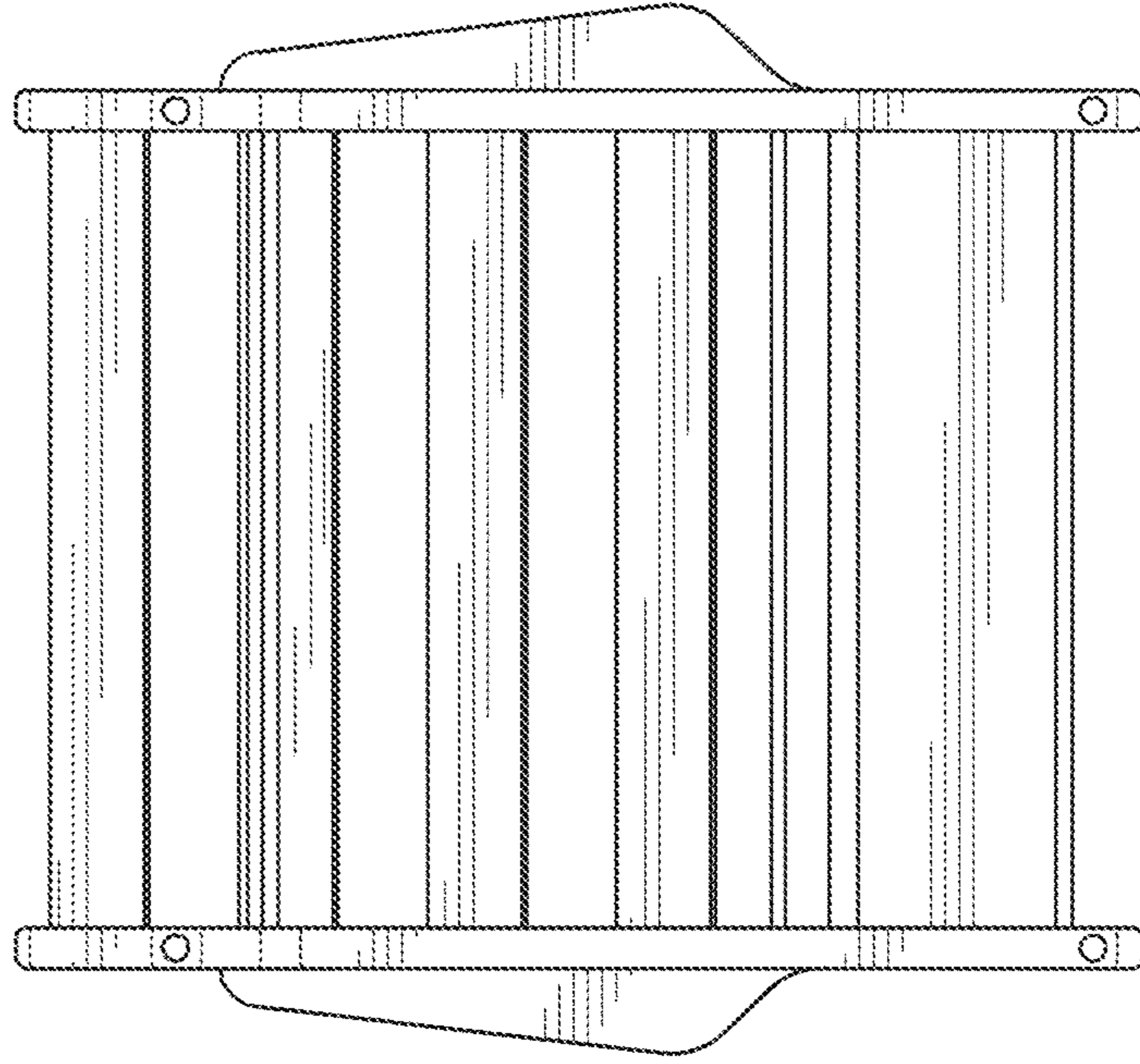


FIG. 6

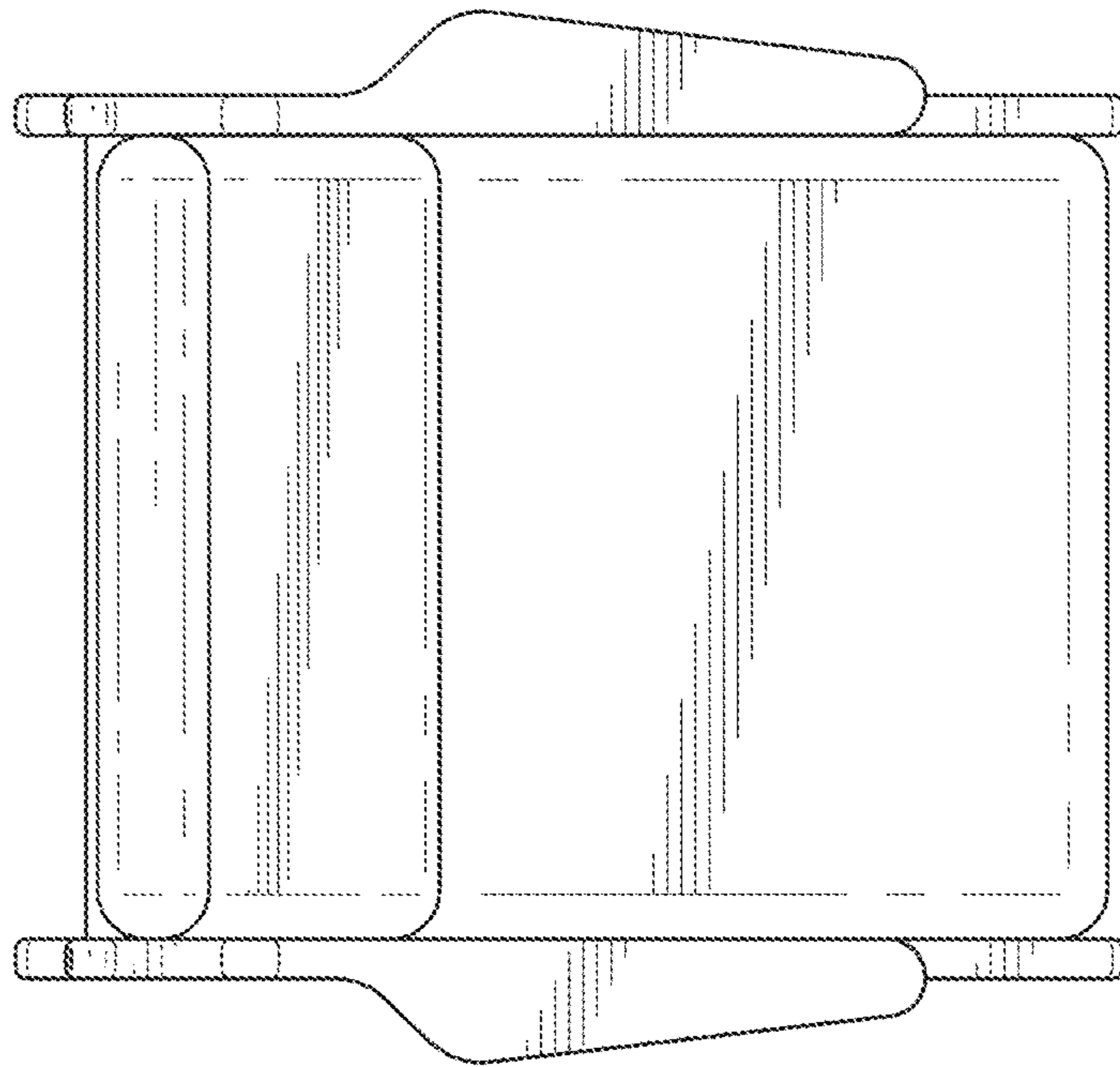


FIG. 5

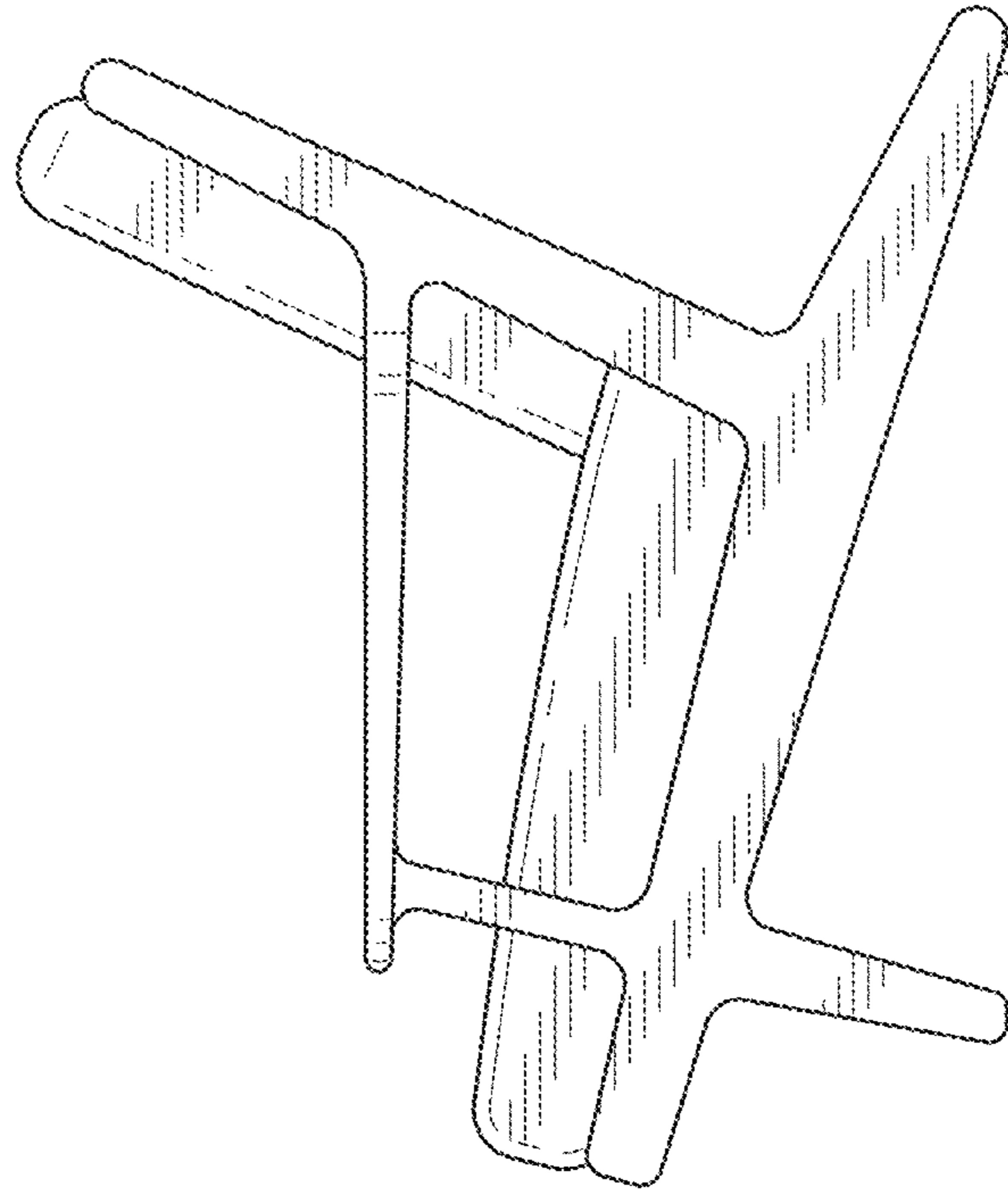


FIG. 8

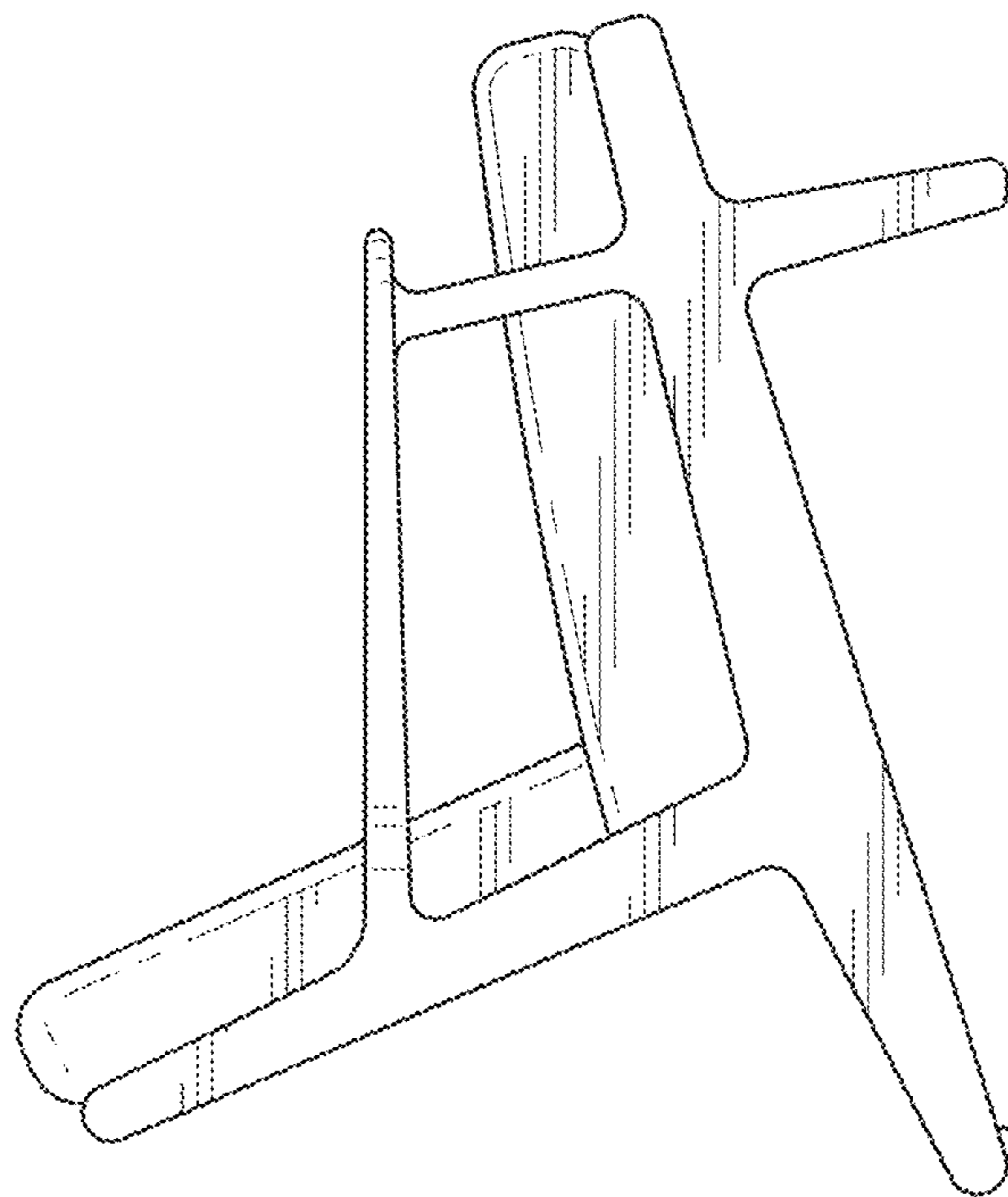


FIG. 7

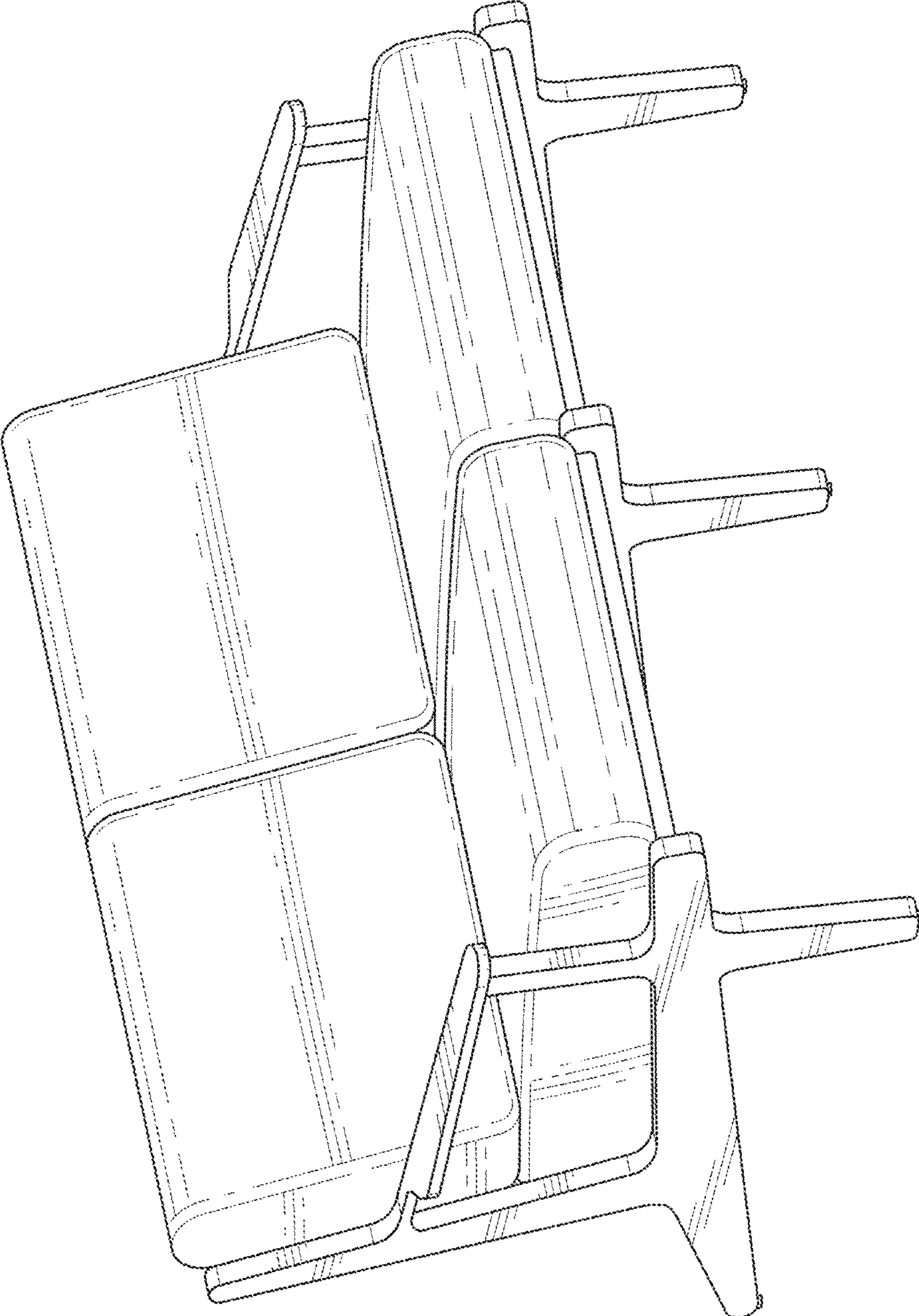


FIG. 9

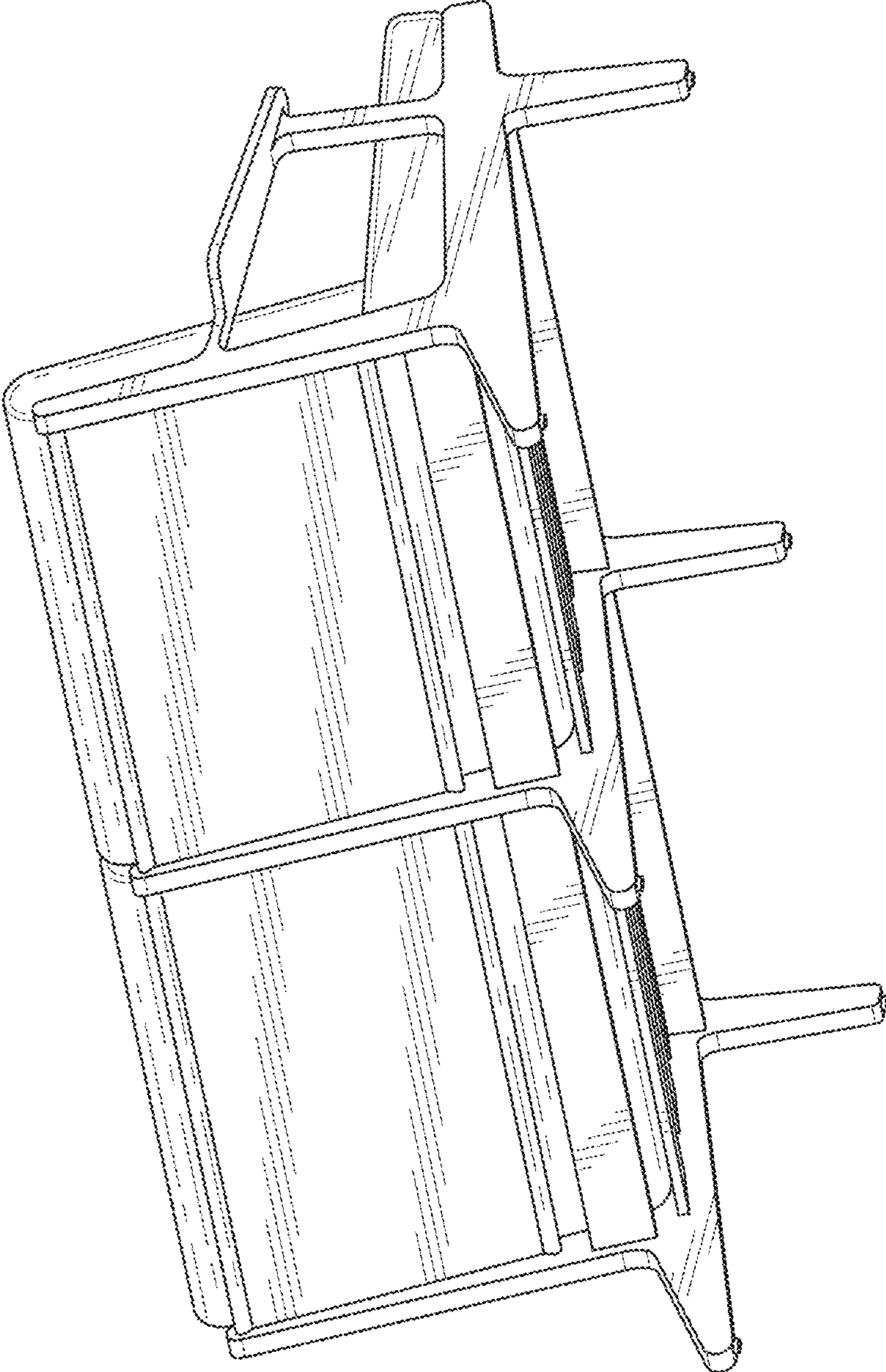


FIG. 10

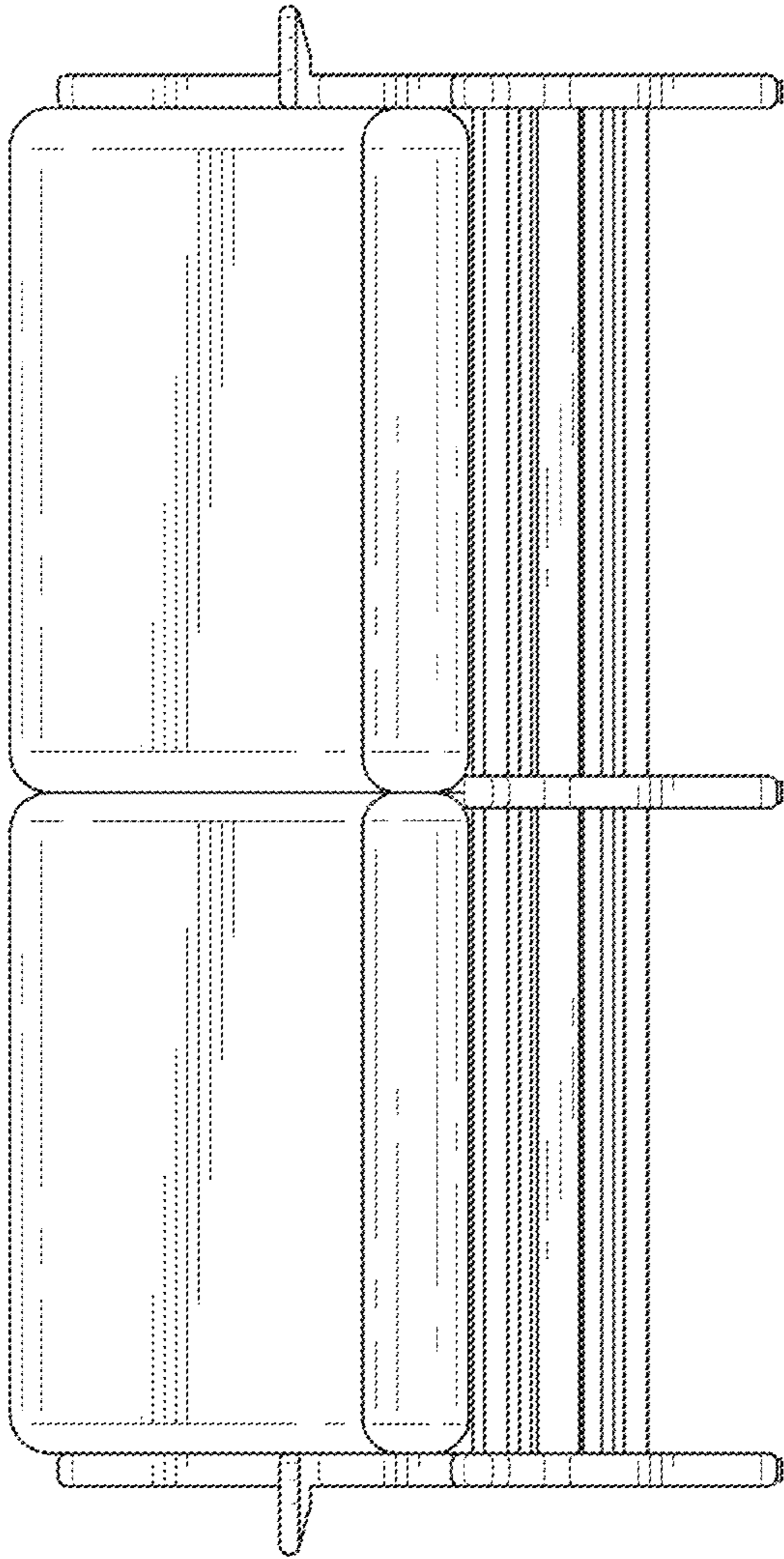


FIG. 11

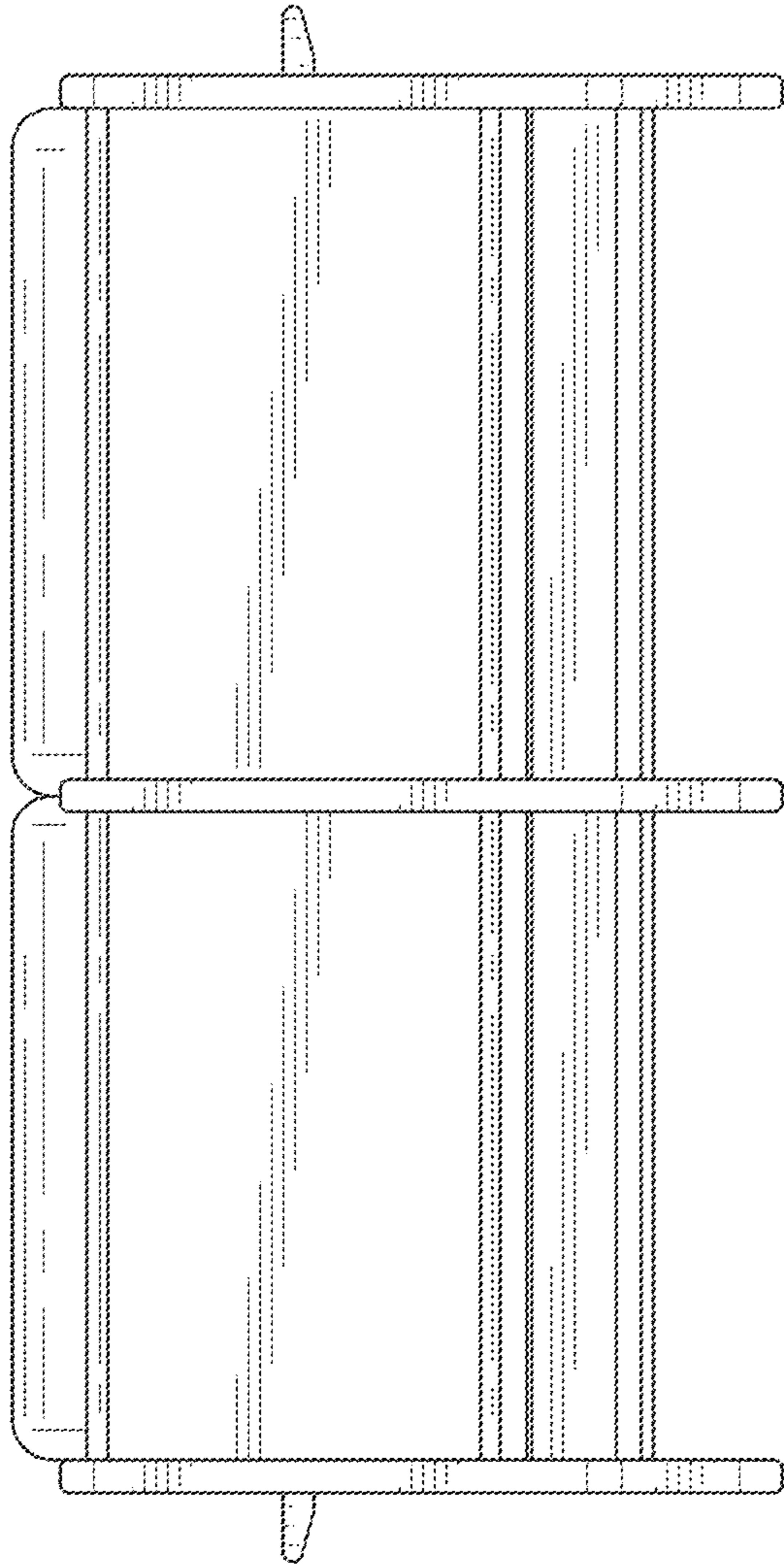


FIG. 12

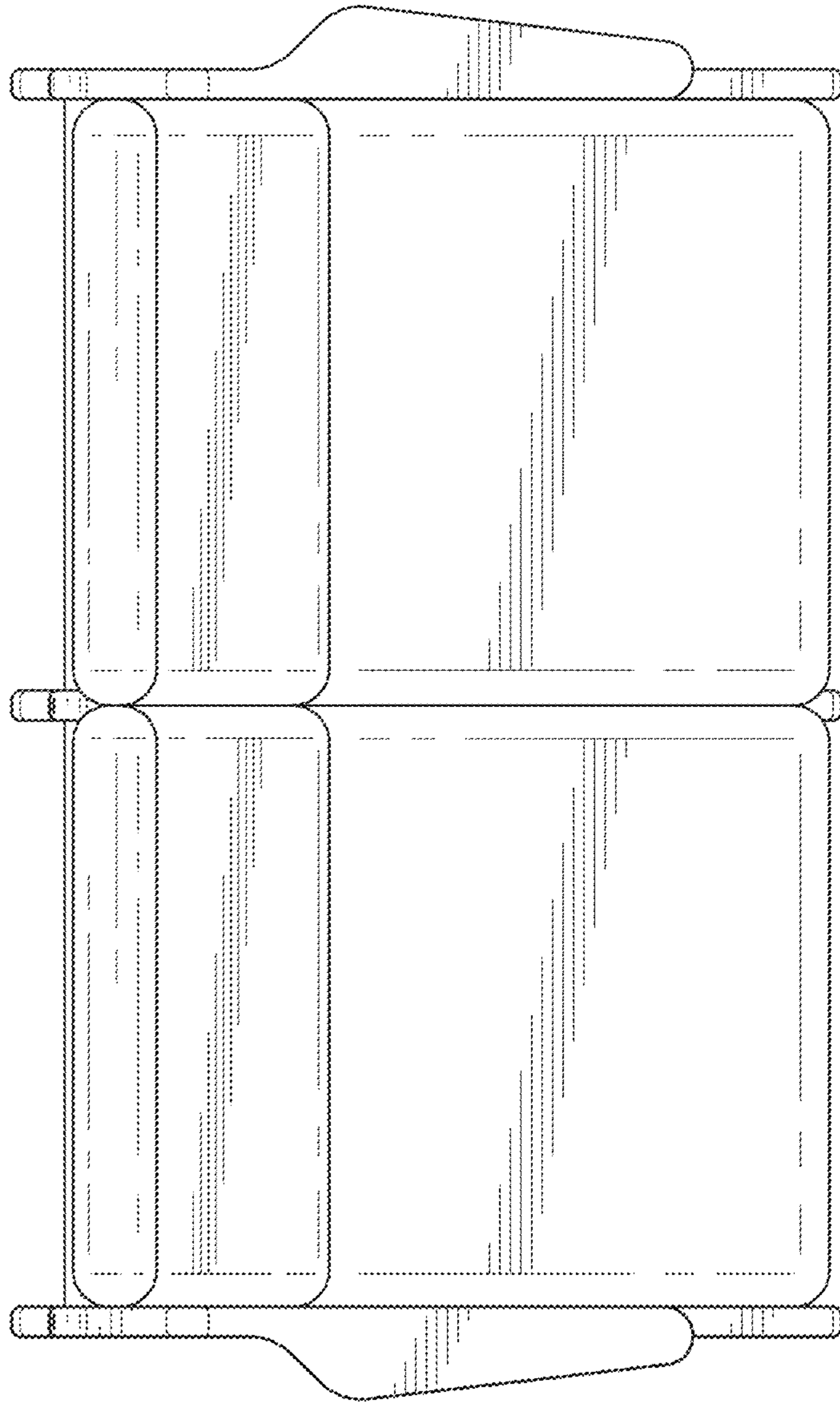


FIG. 13

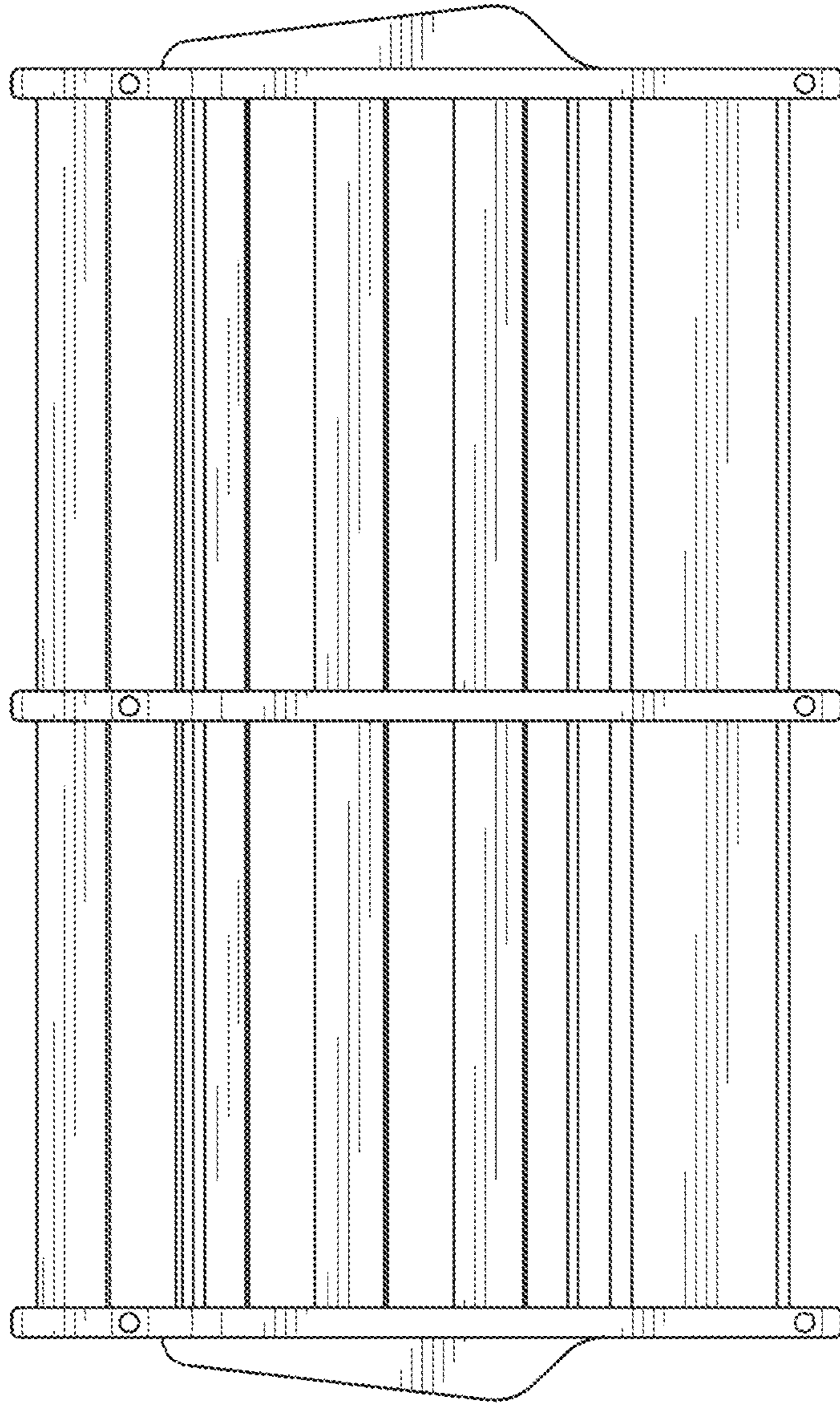


FIG. 14

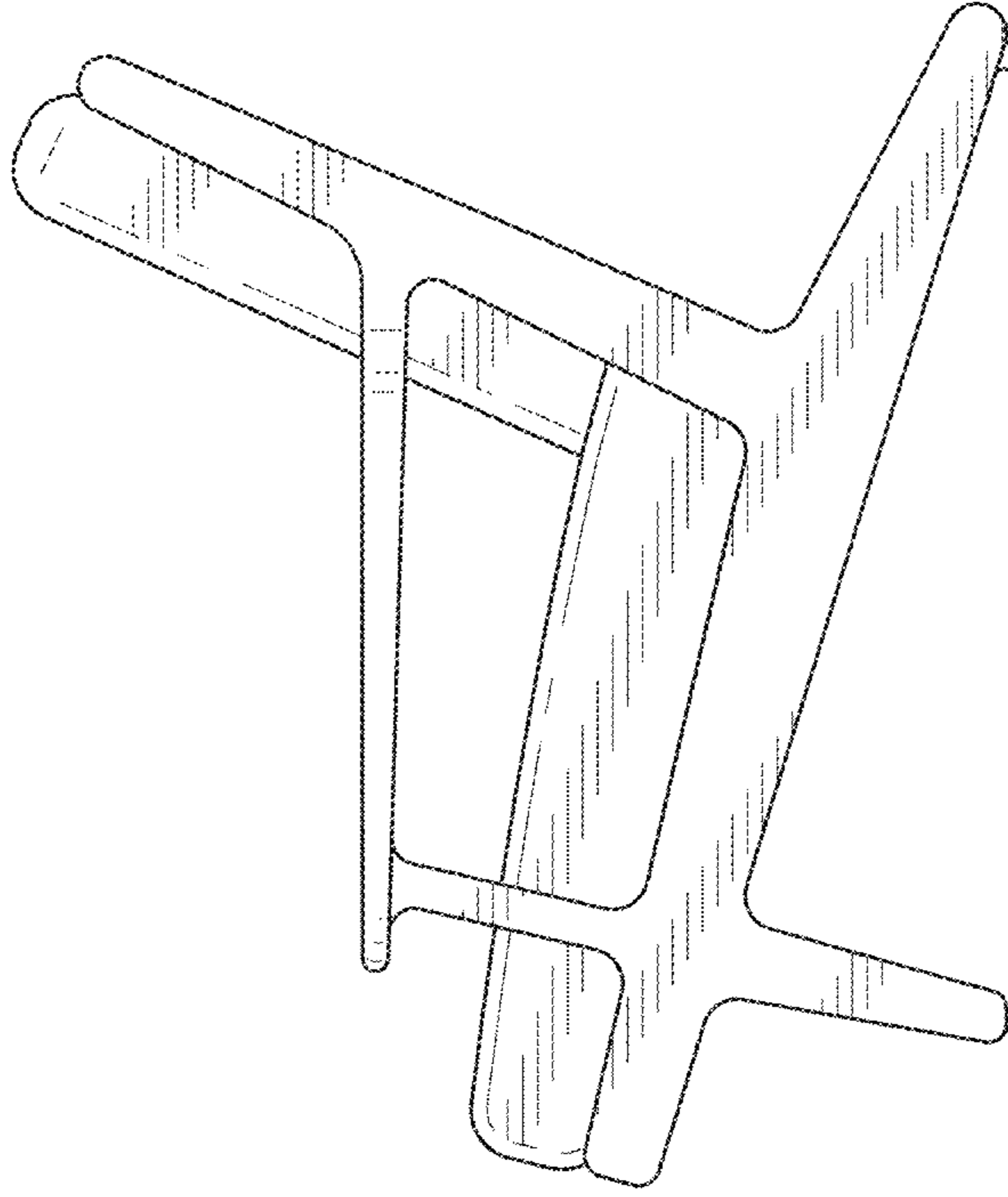


FIG. 16

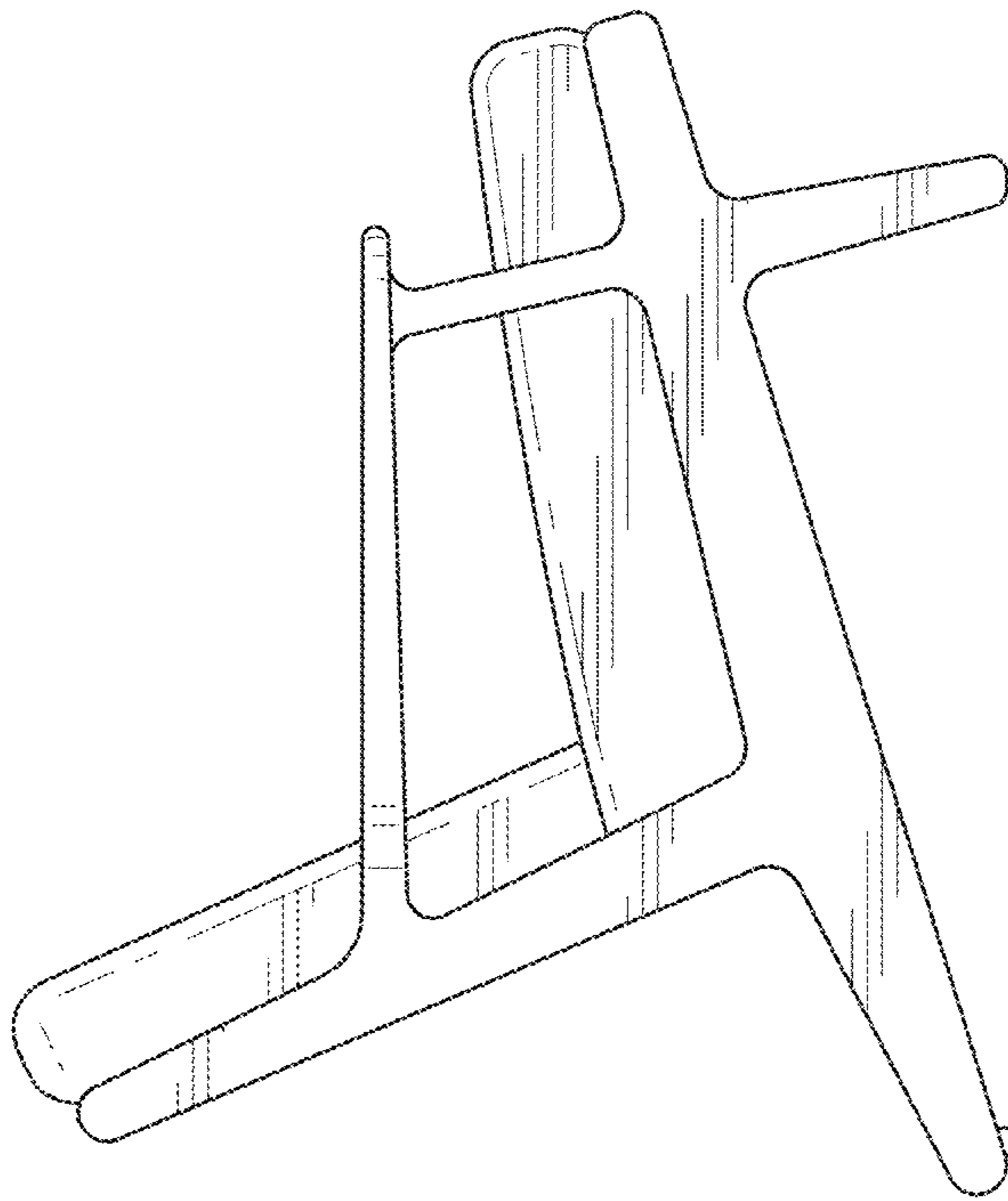


FIG. 15

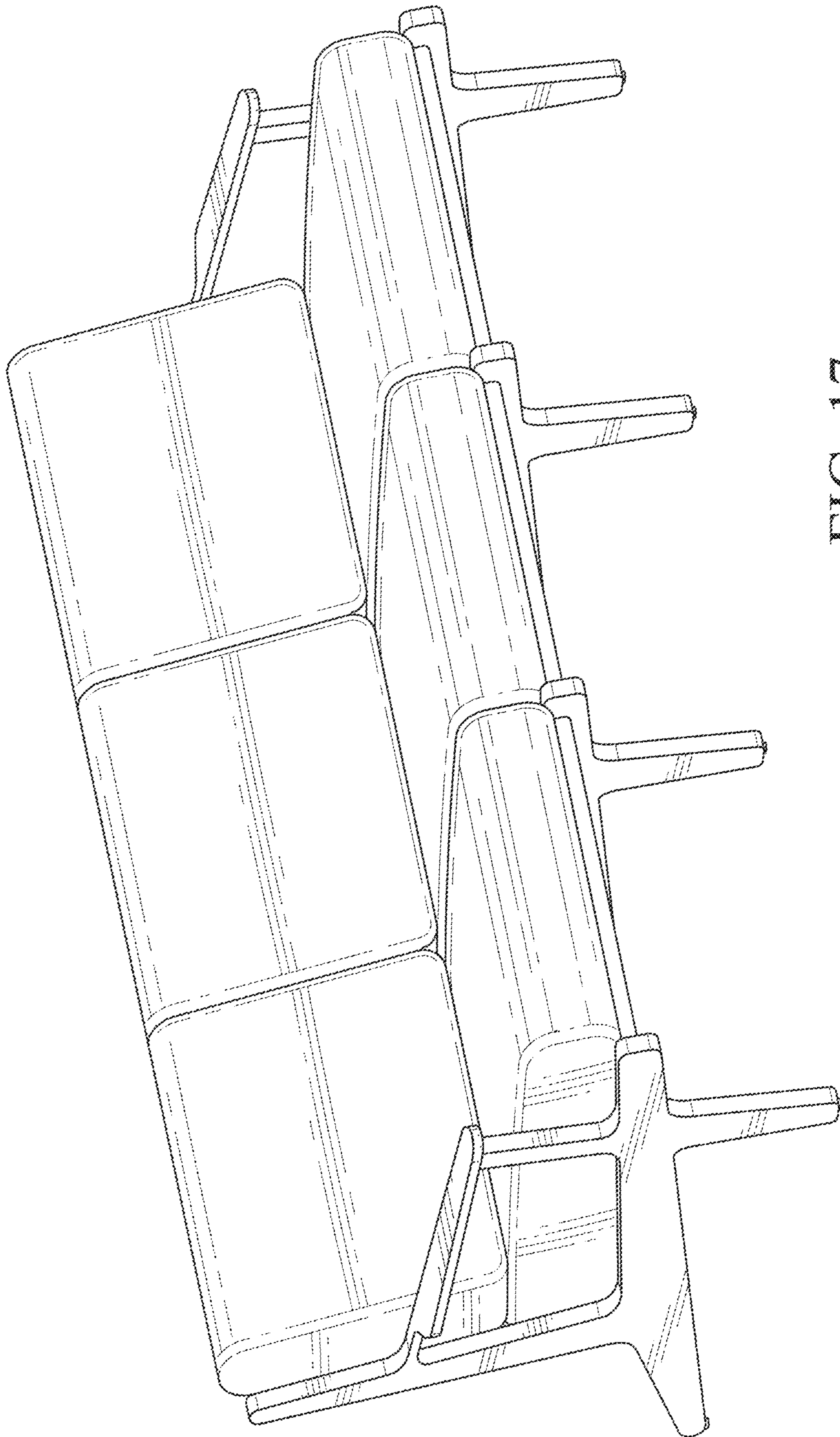


FIG. 17

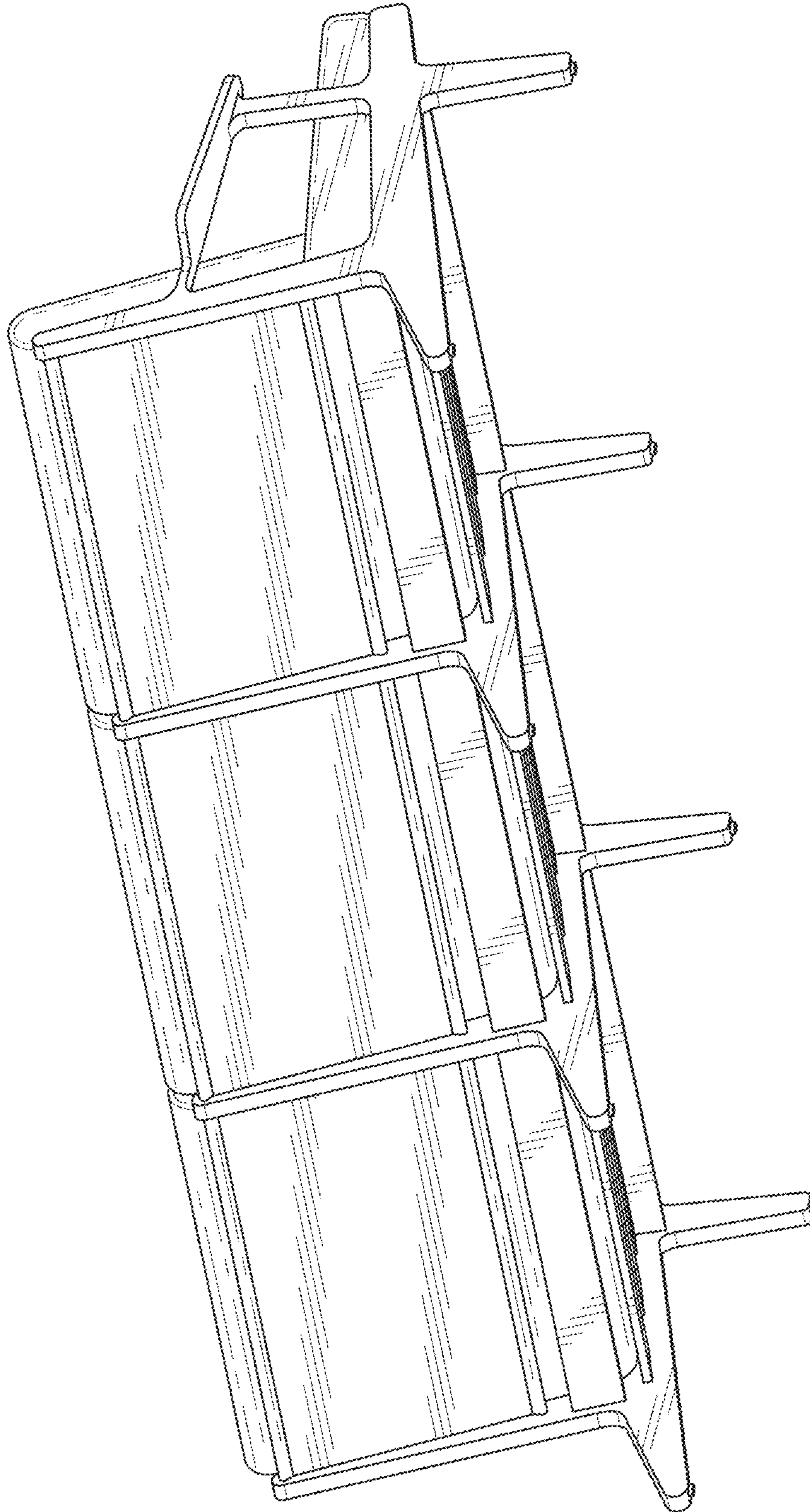


FIG. 18

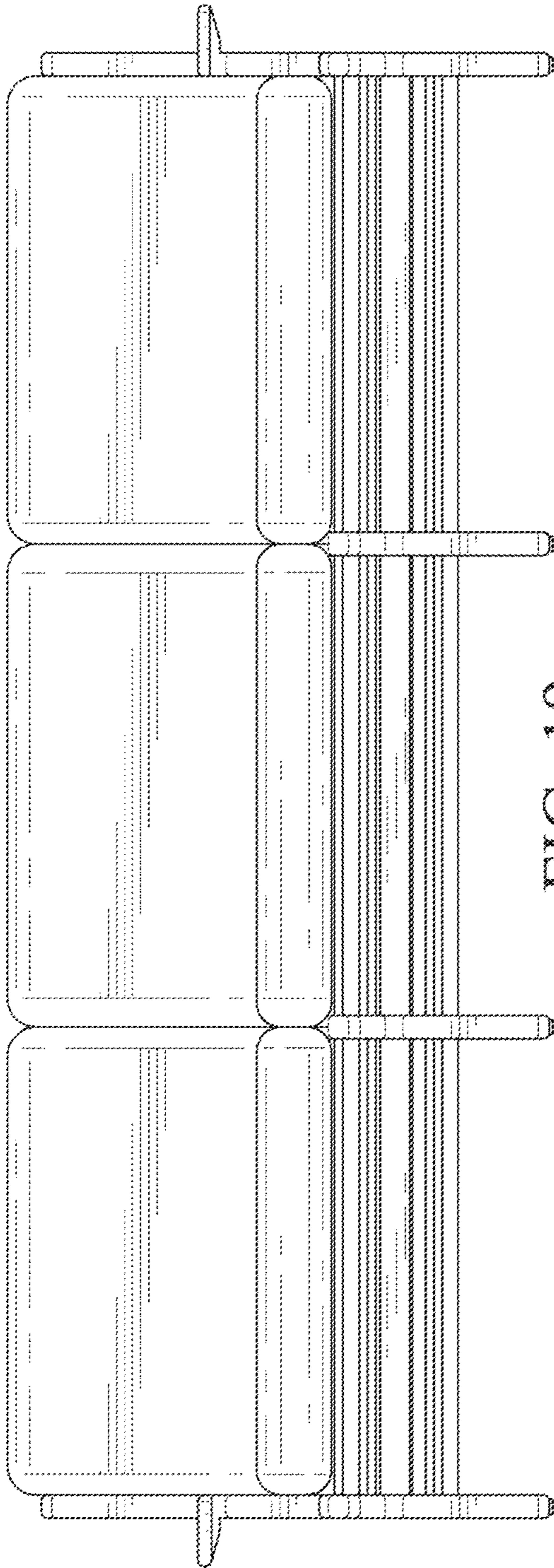


FIG. 19

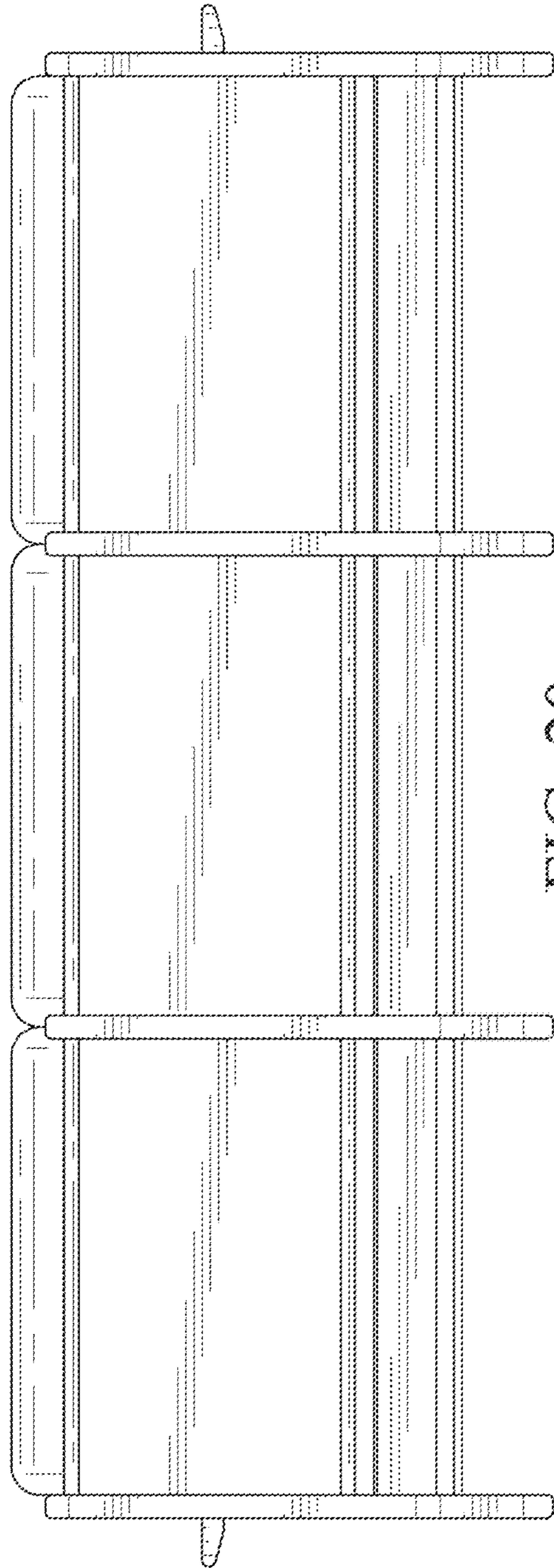


FIG. 20

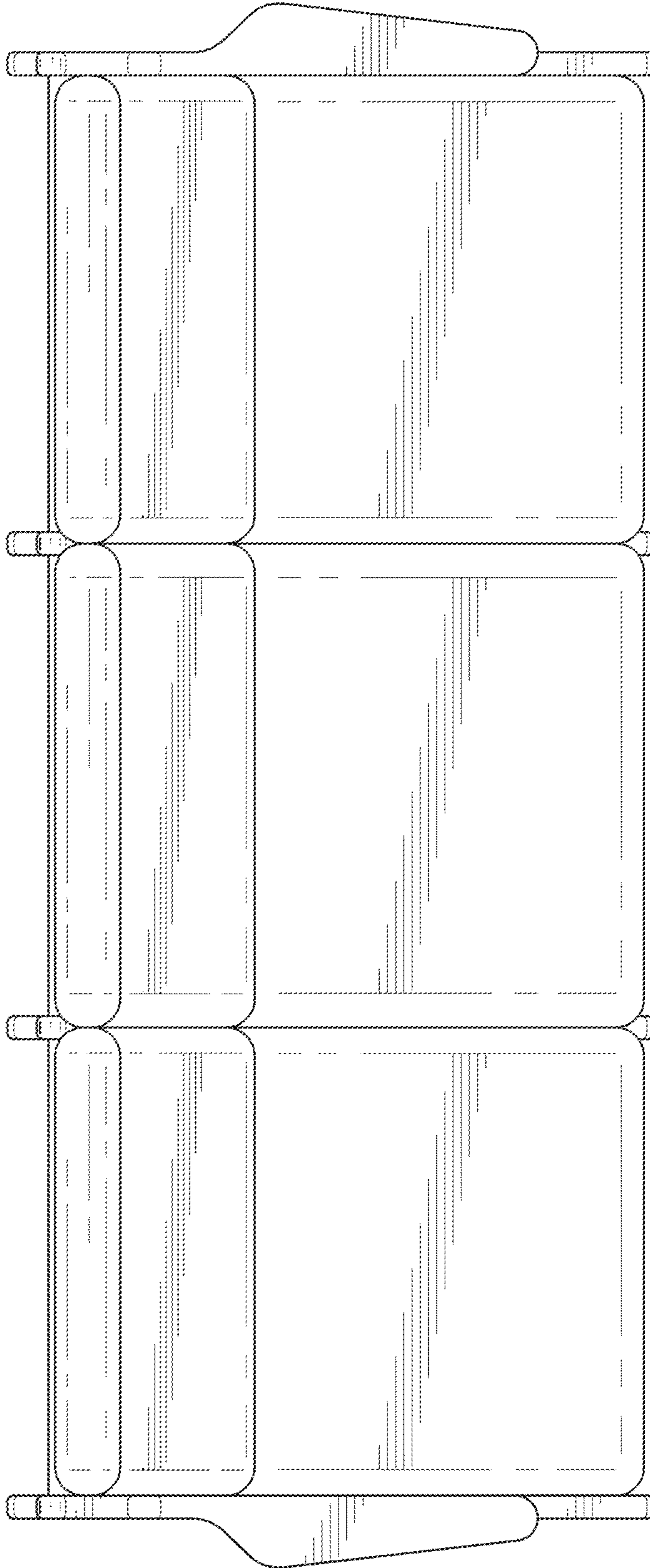


FIG. 21

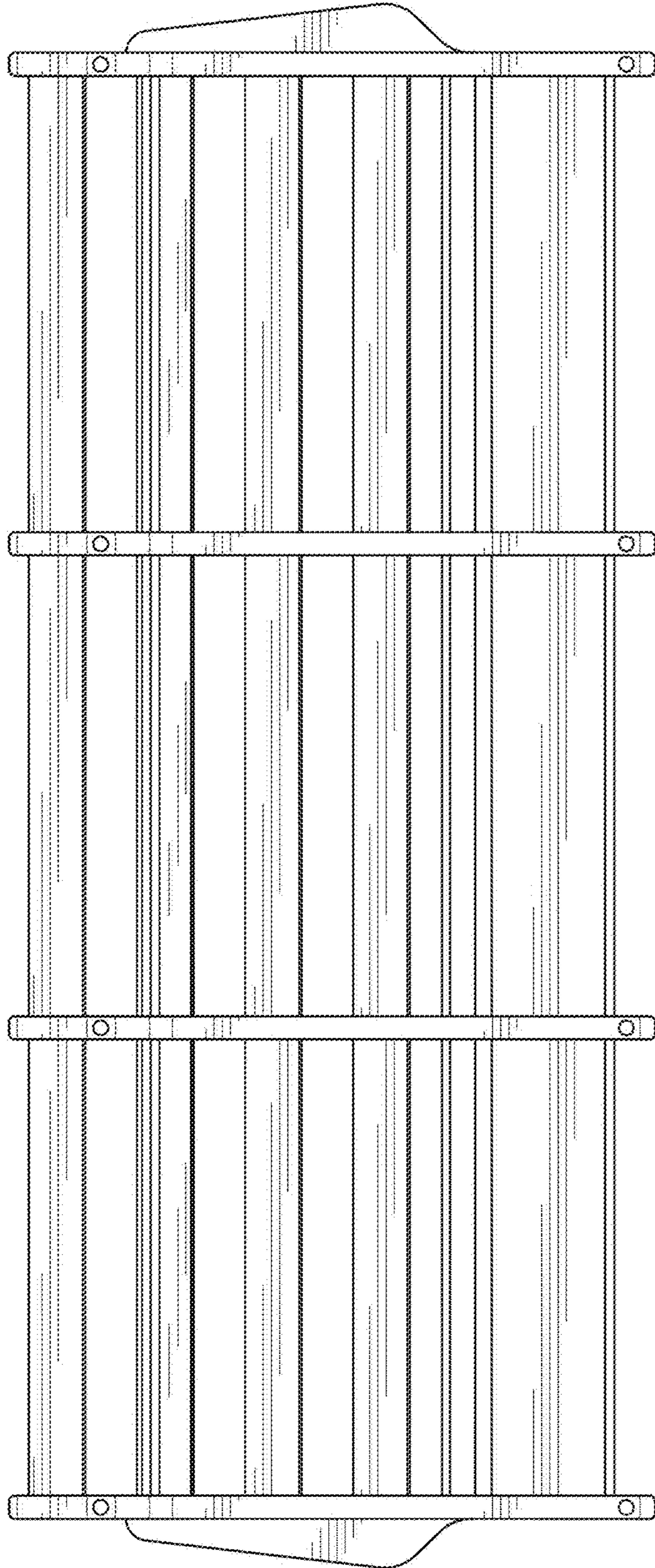


FIG. 22

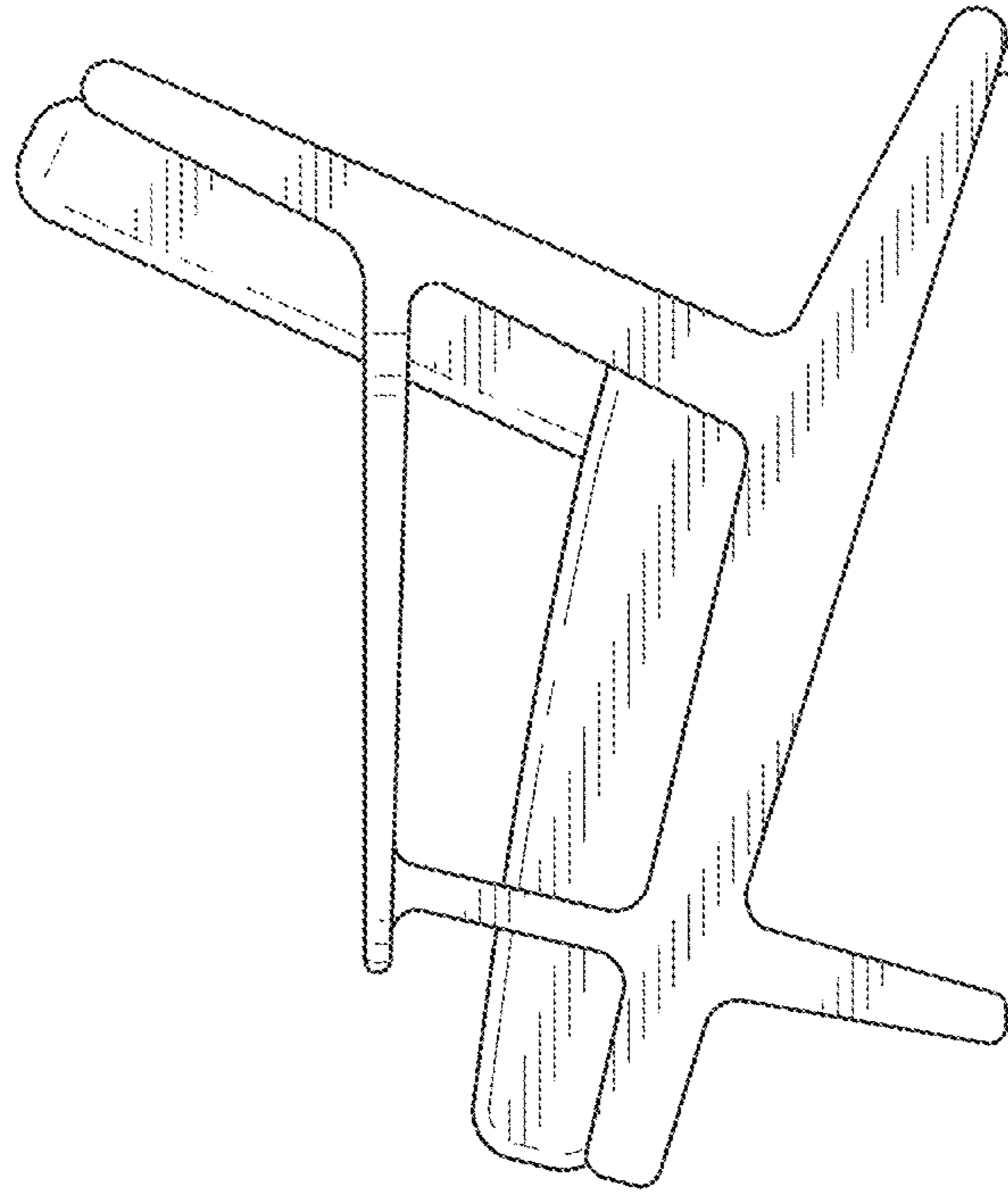


FIG. 24

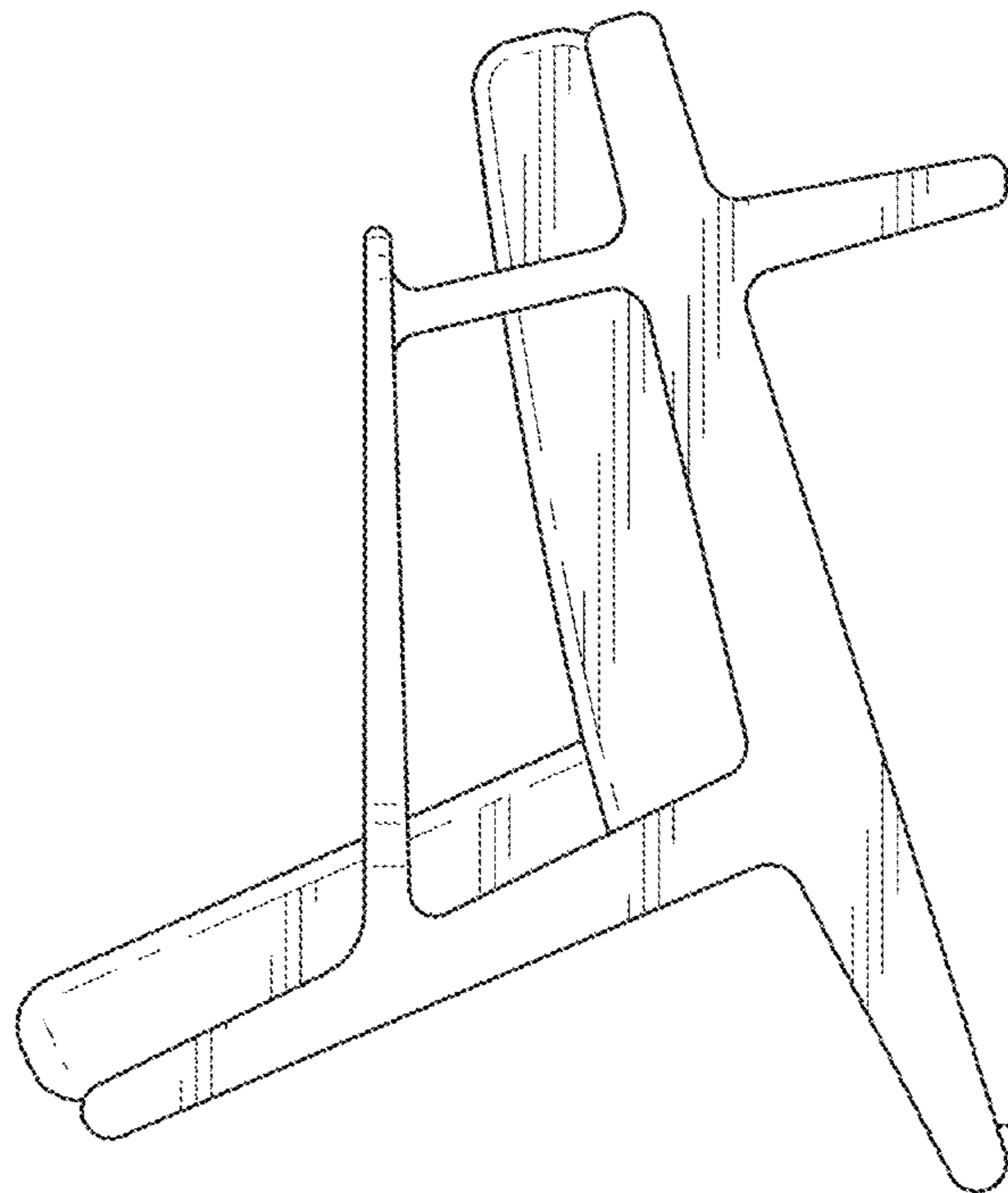


FIG. 23

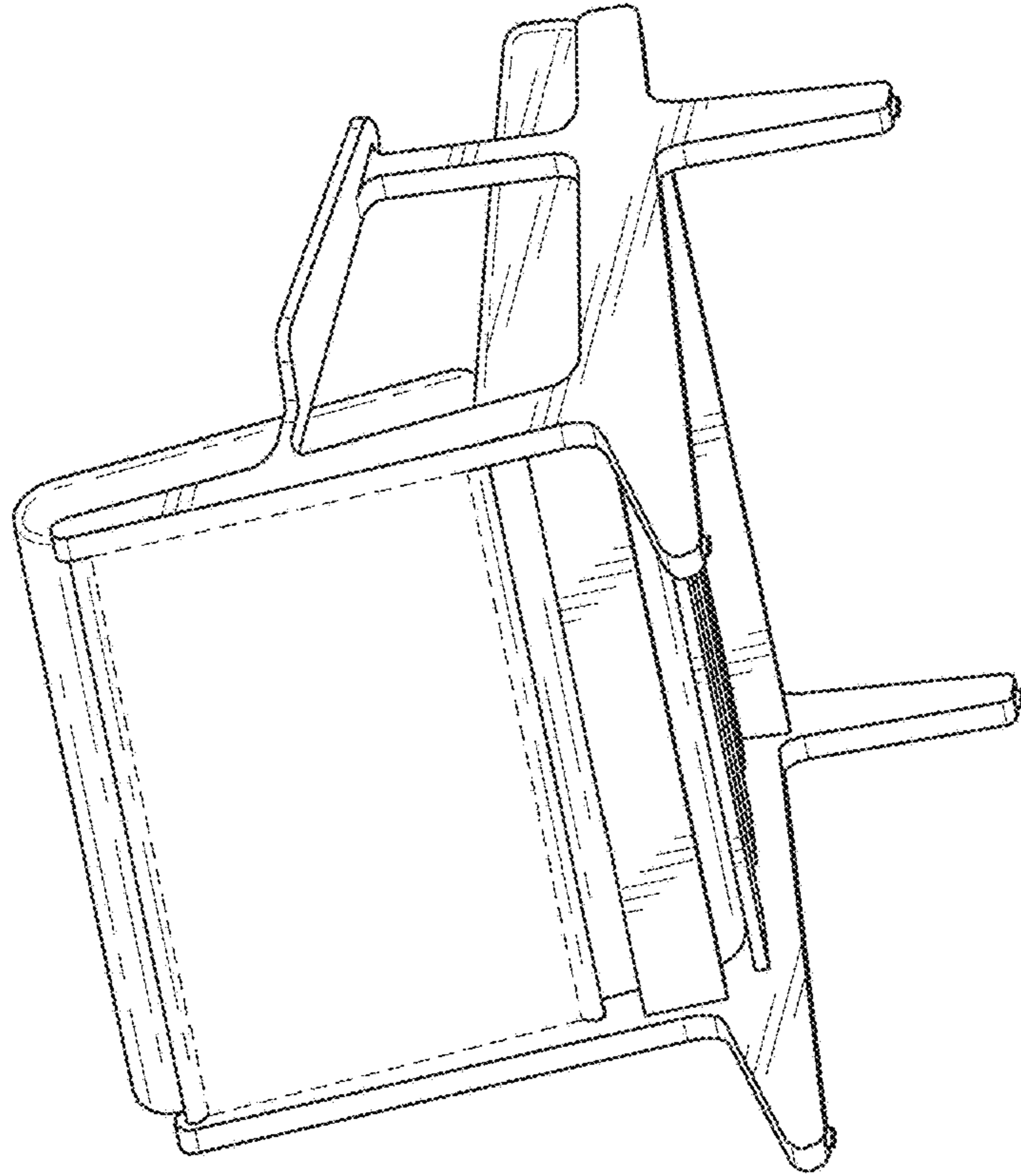


FIG. 25 NEW

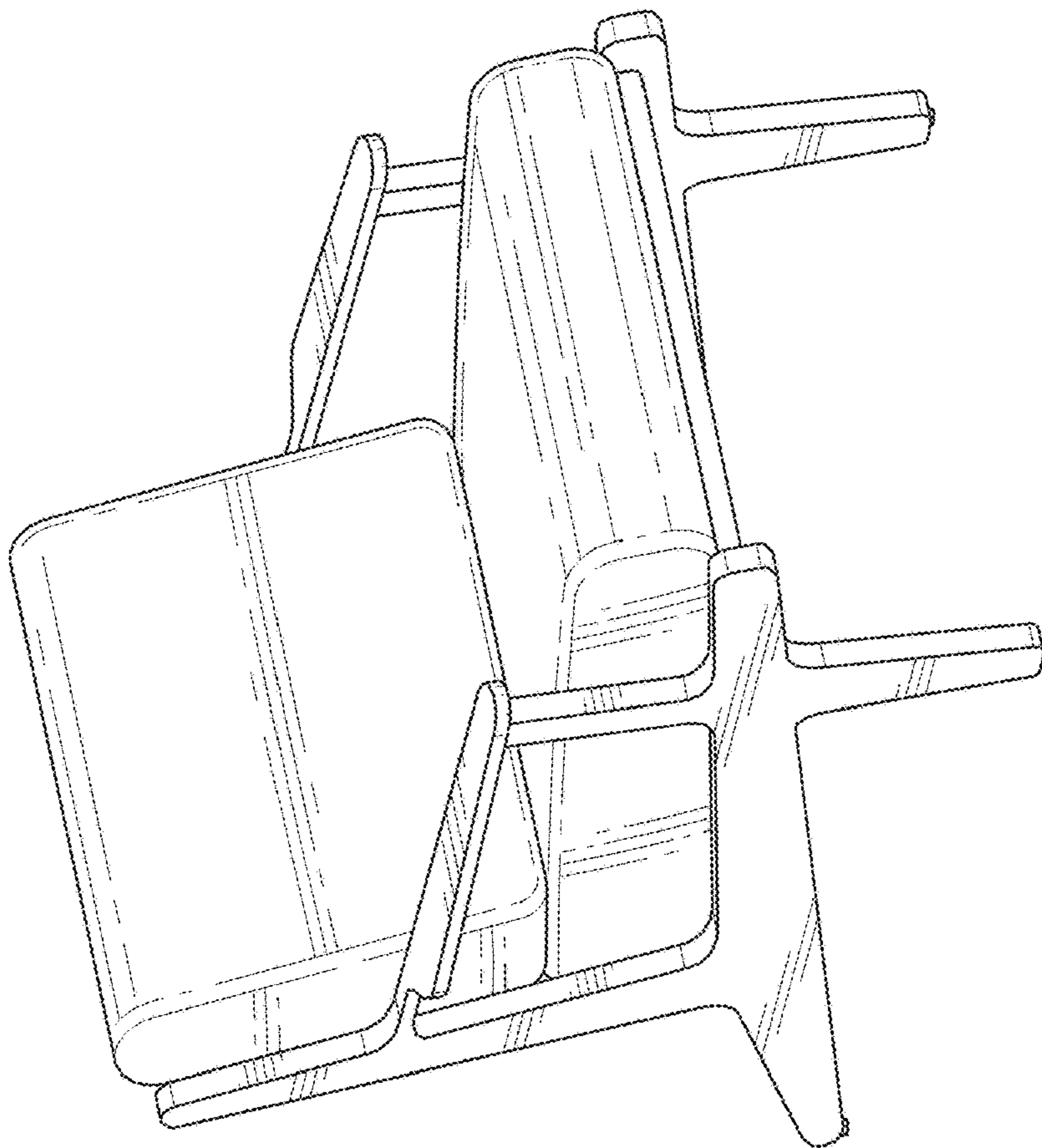


FIG. 26 NEW

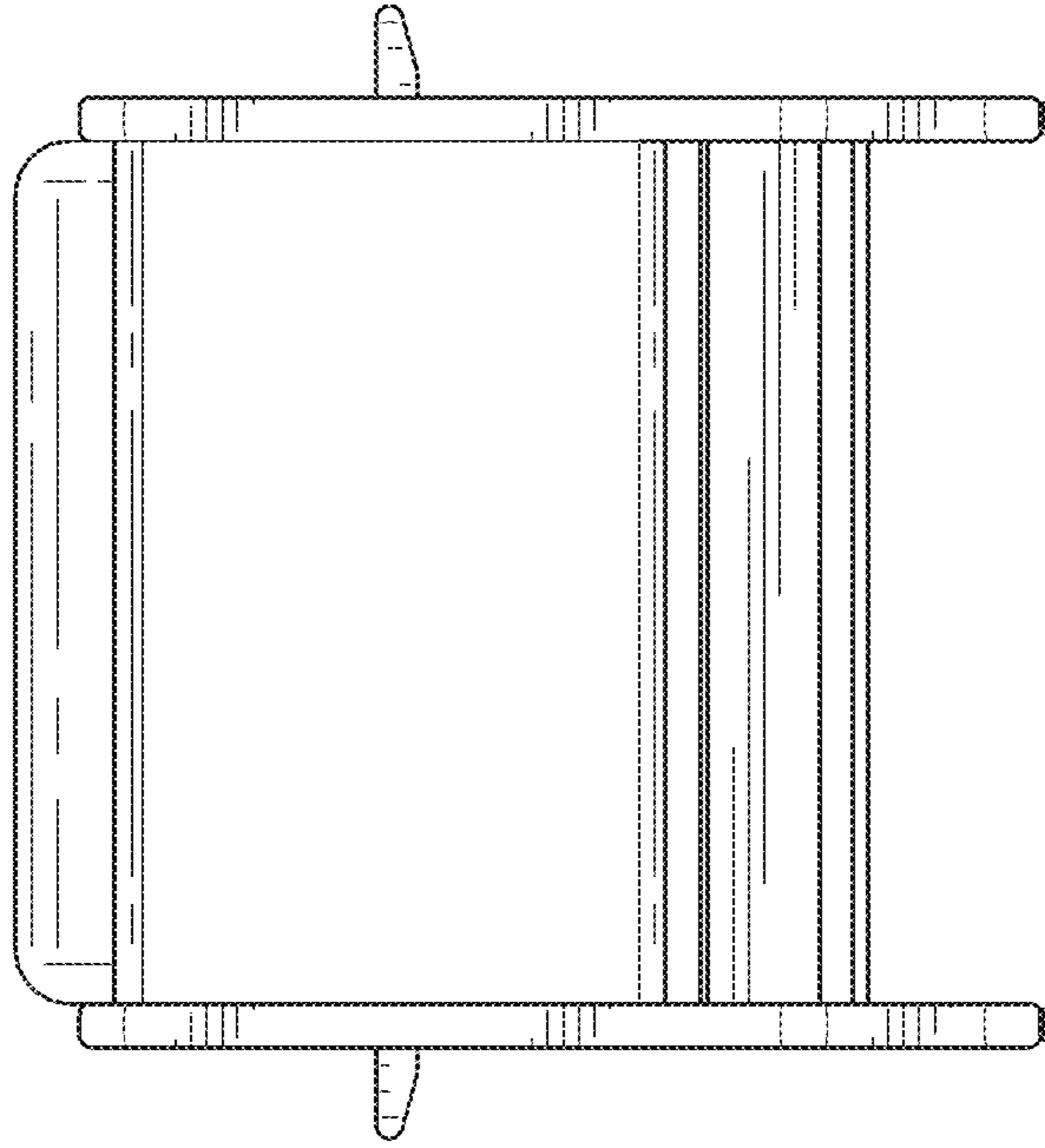


FIG. 28 NEW

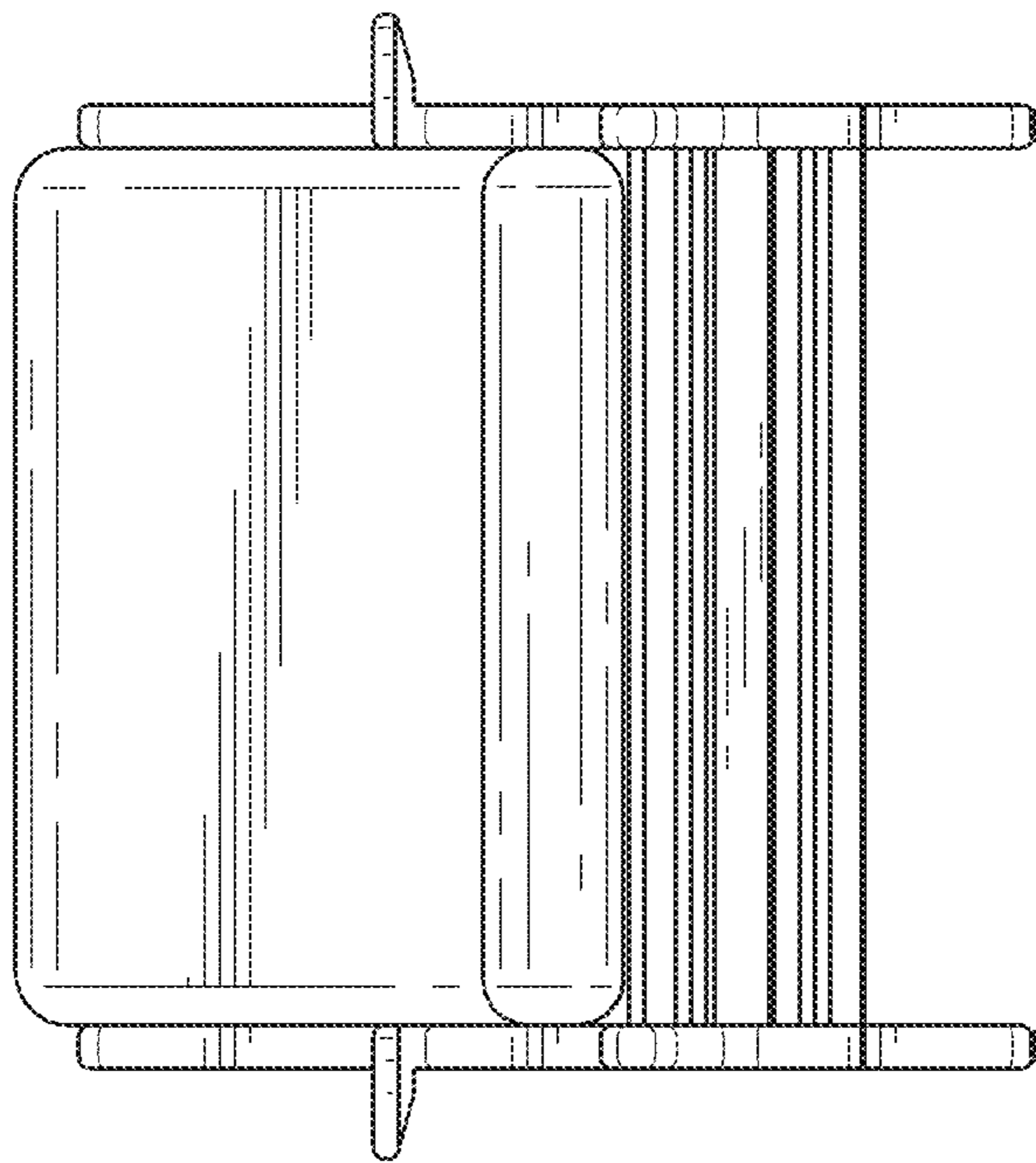


FIG. 27 NEW

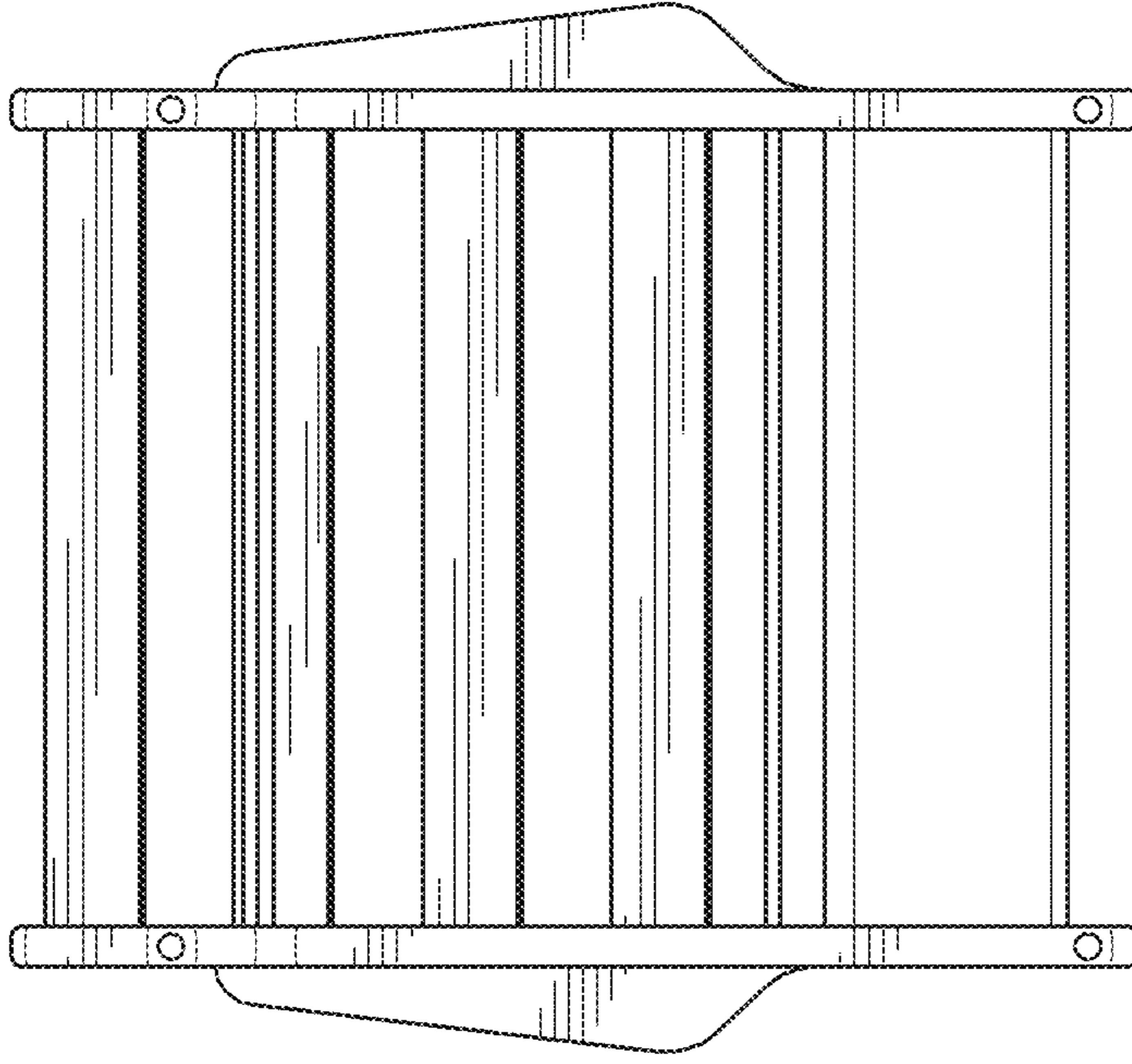


FIG. 30 NEW

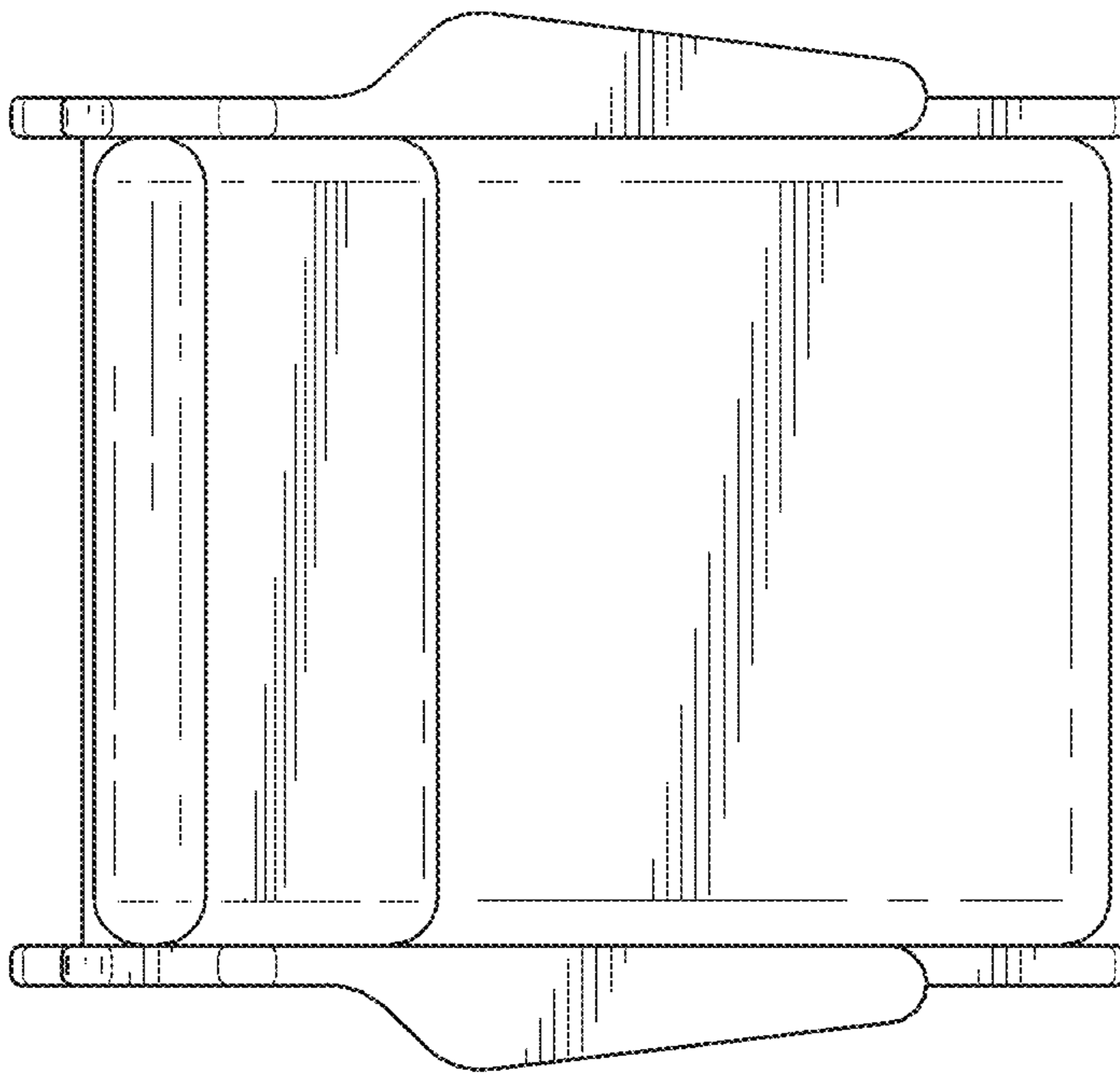


FIG. 29 NEW

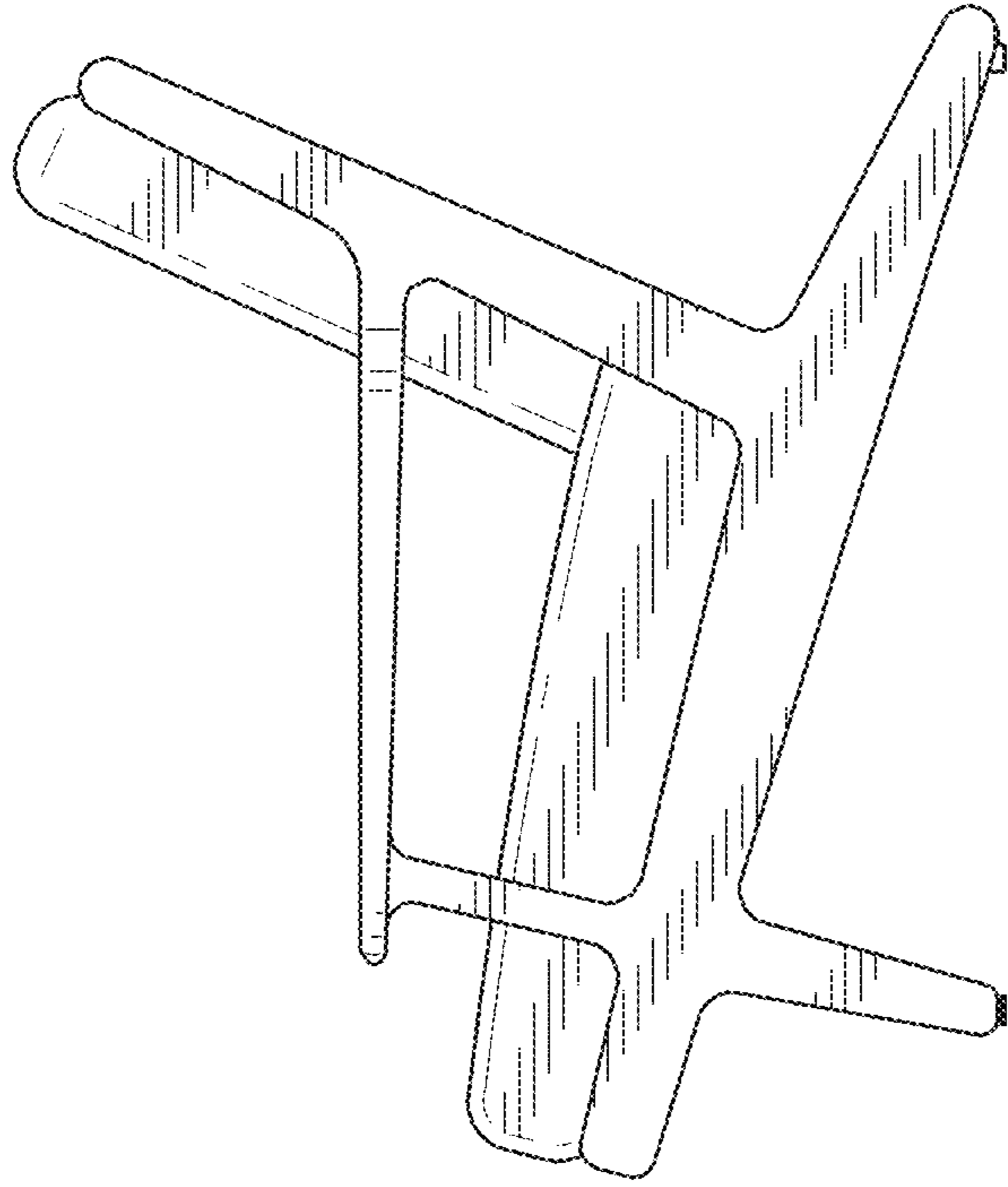


FIG. 31 NEW

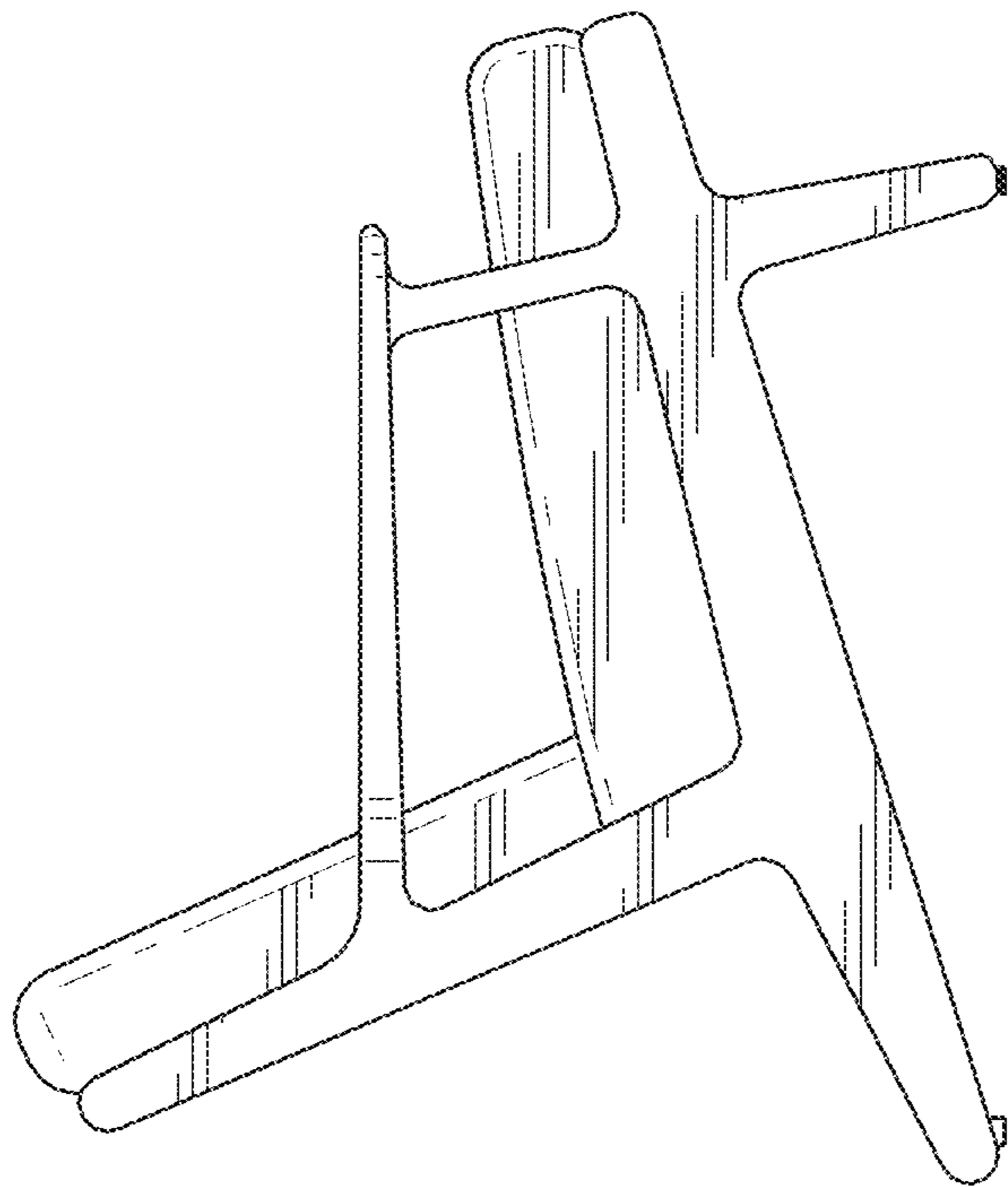


FIG. 32 NEW

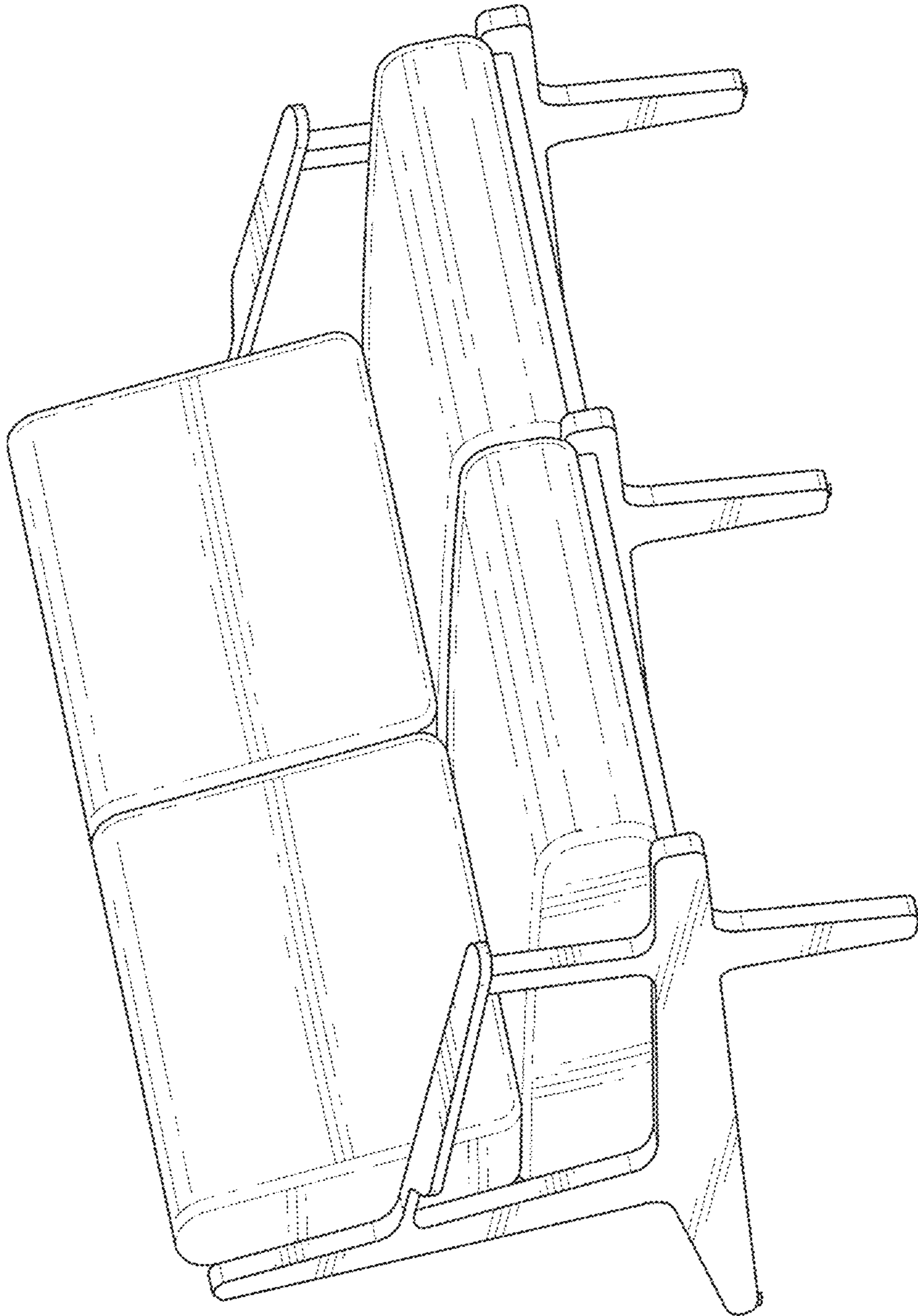


FIG. 33 NEW

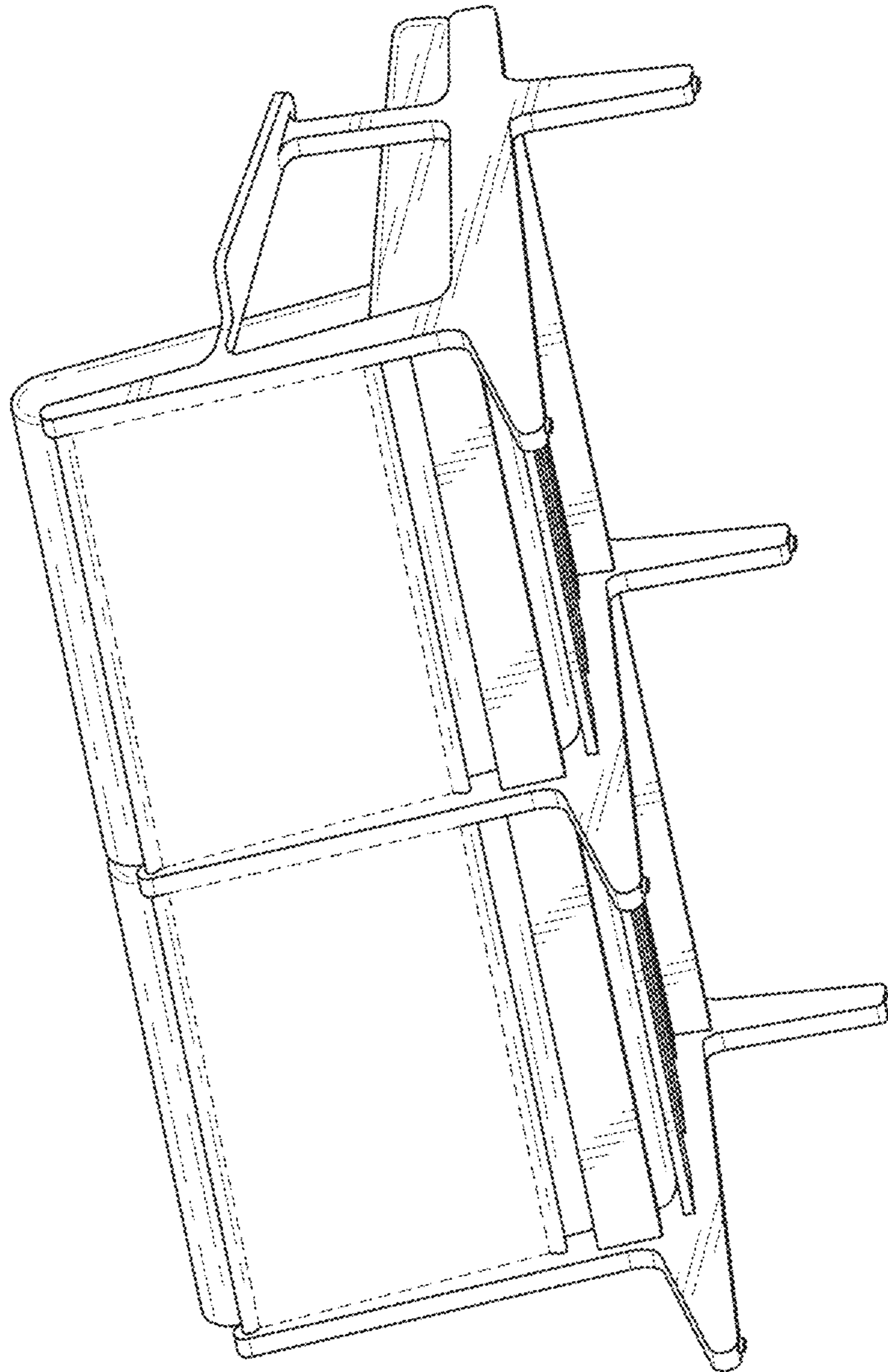


FIG. 34 NEW

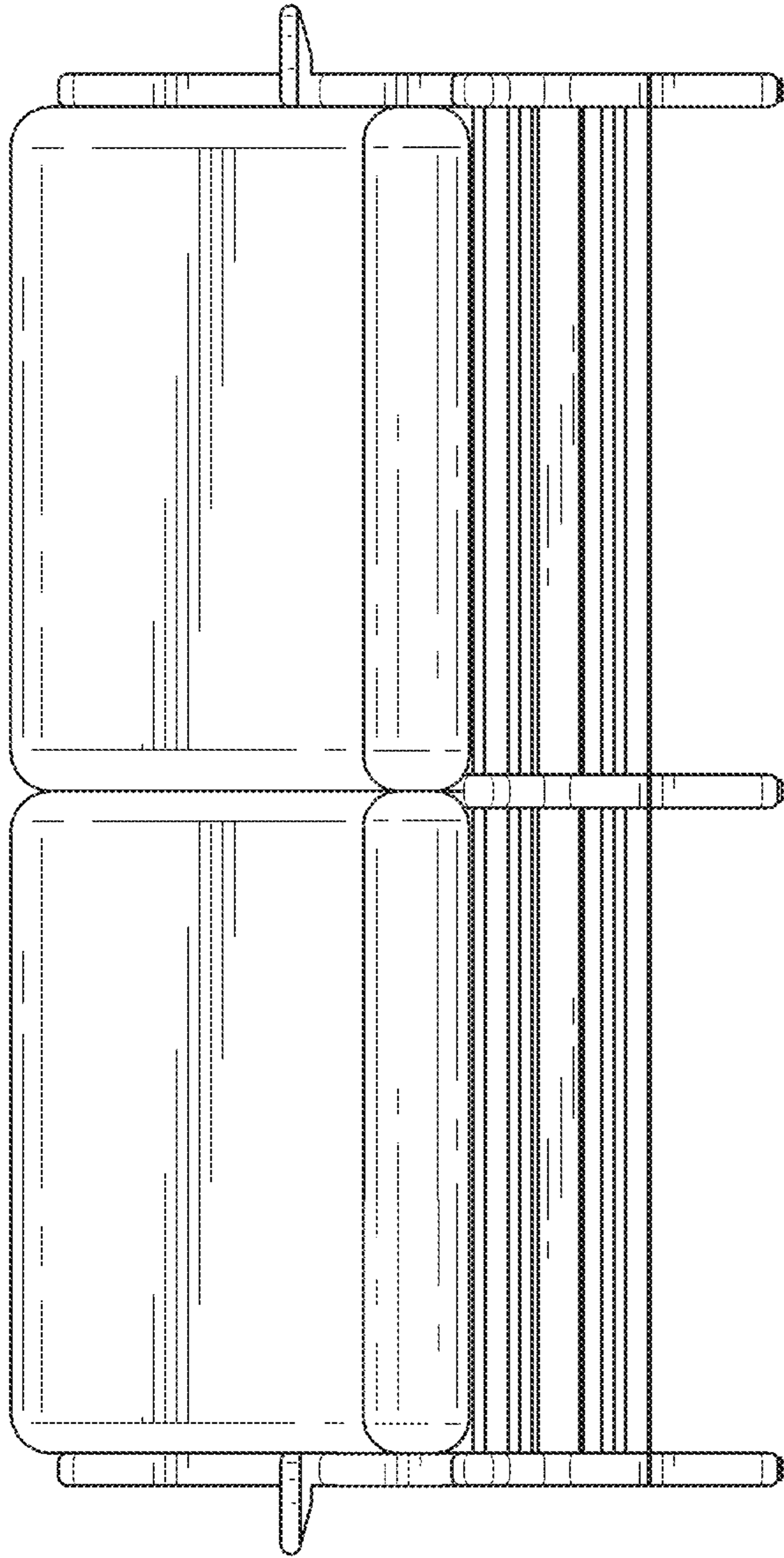


FIG. 35
NEW

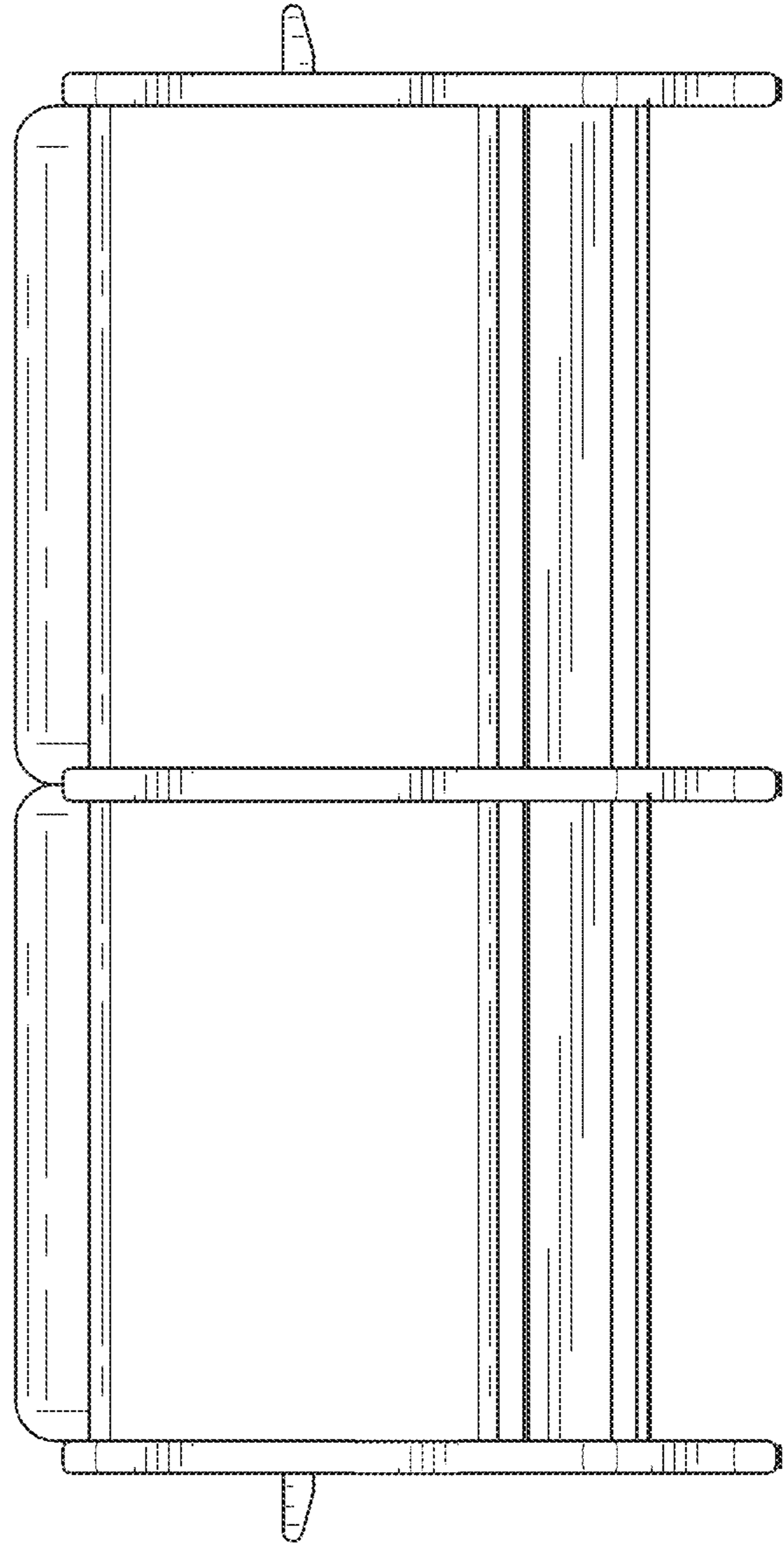


FIG. 36
NEW

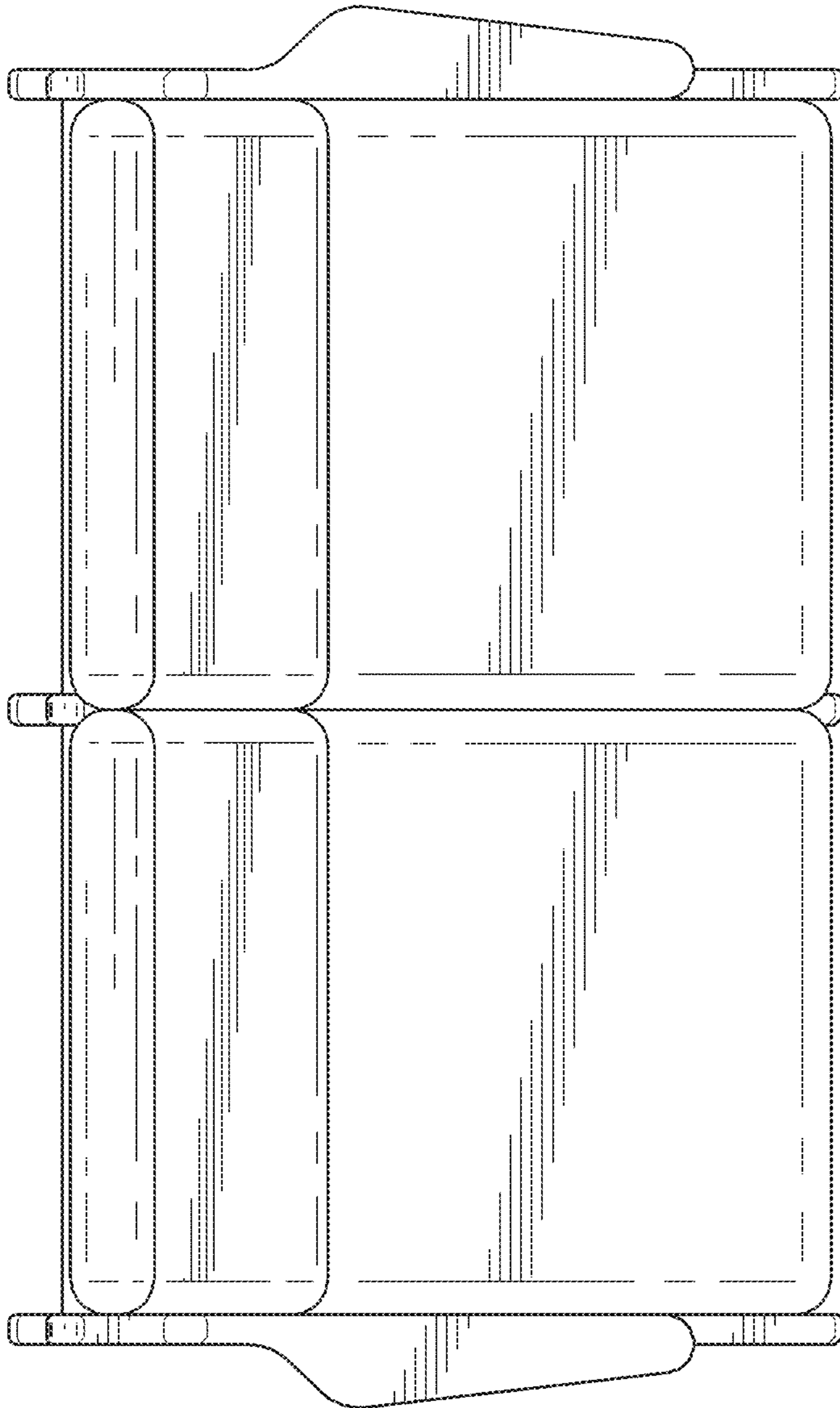


FIG. 37 NEW

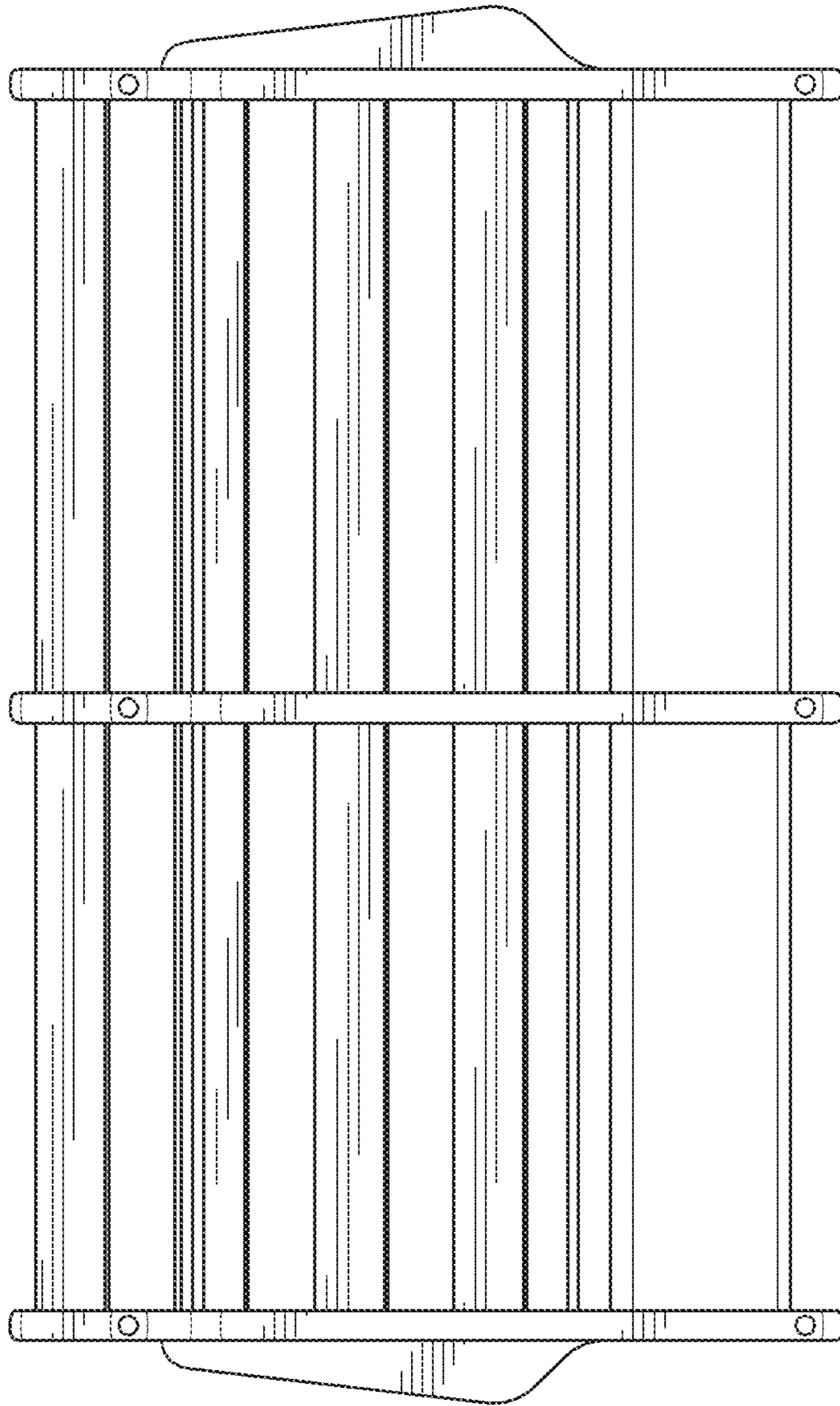


FIG. 38 NEW

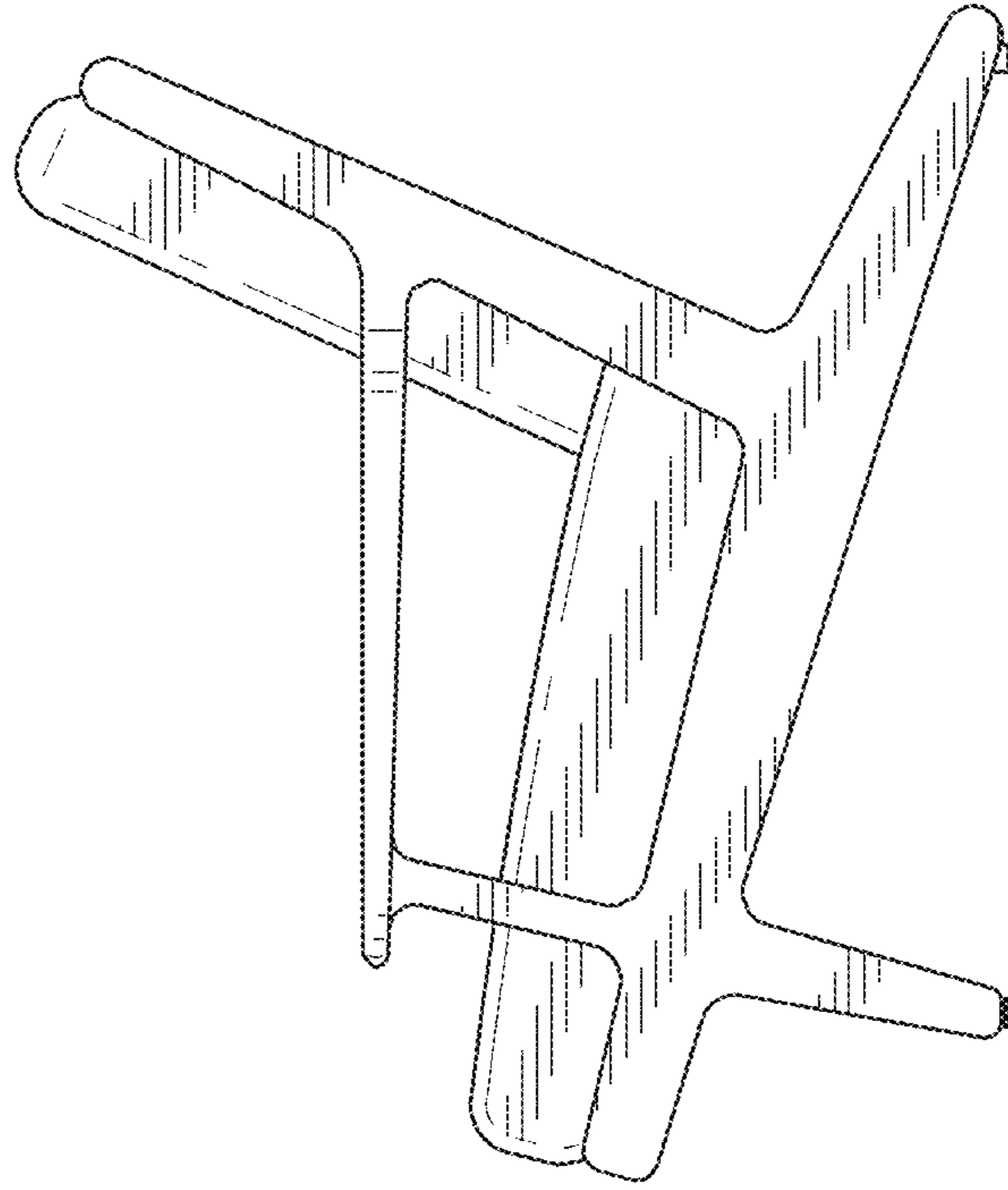


FIG. 40 NEW

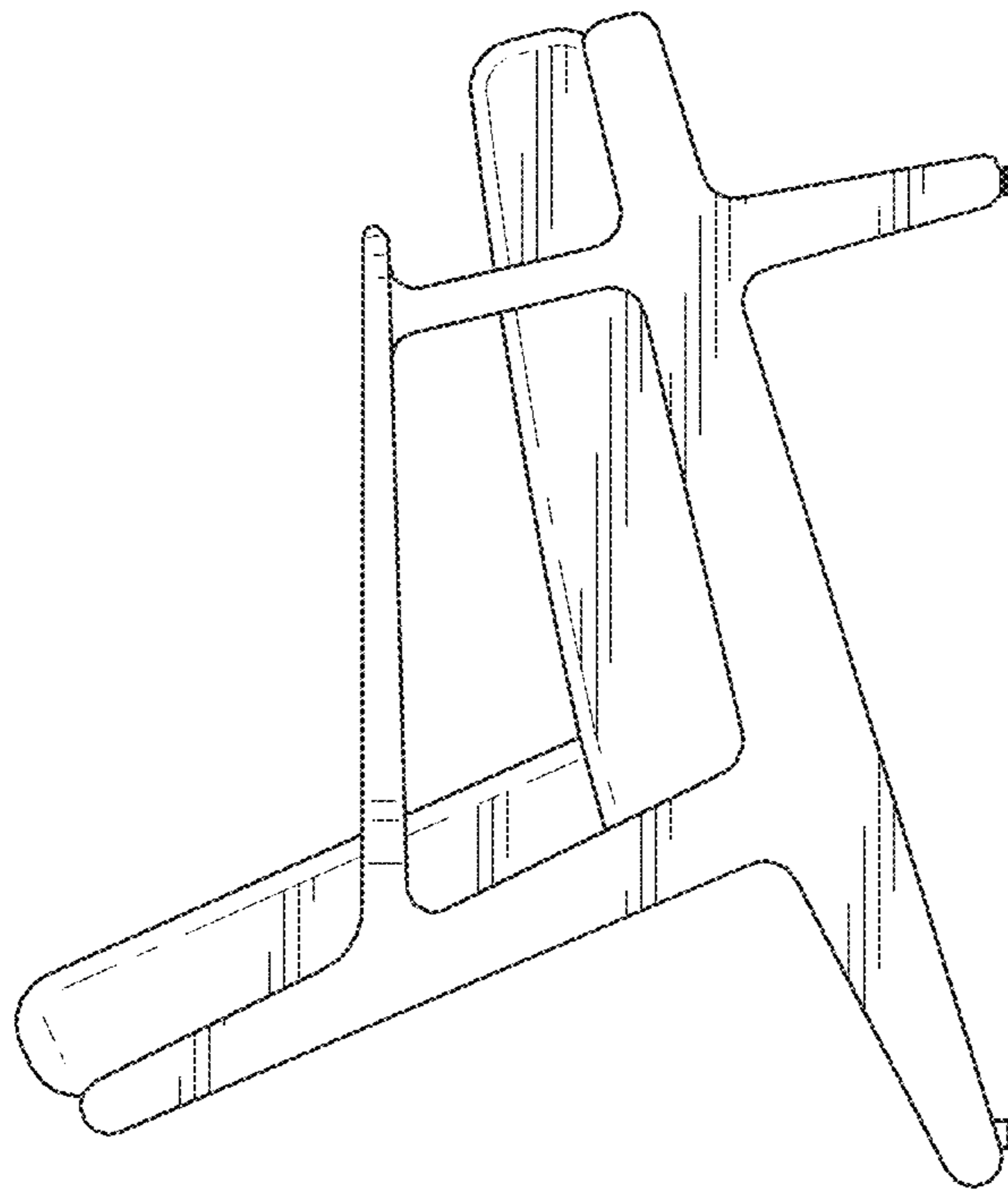


FIG. 39 NEW

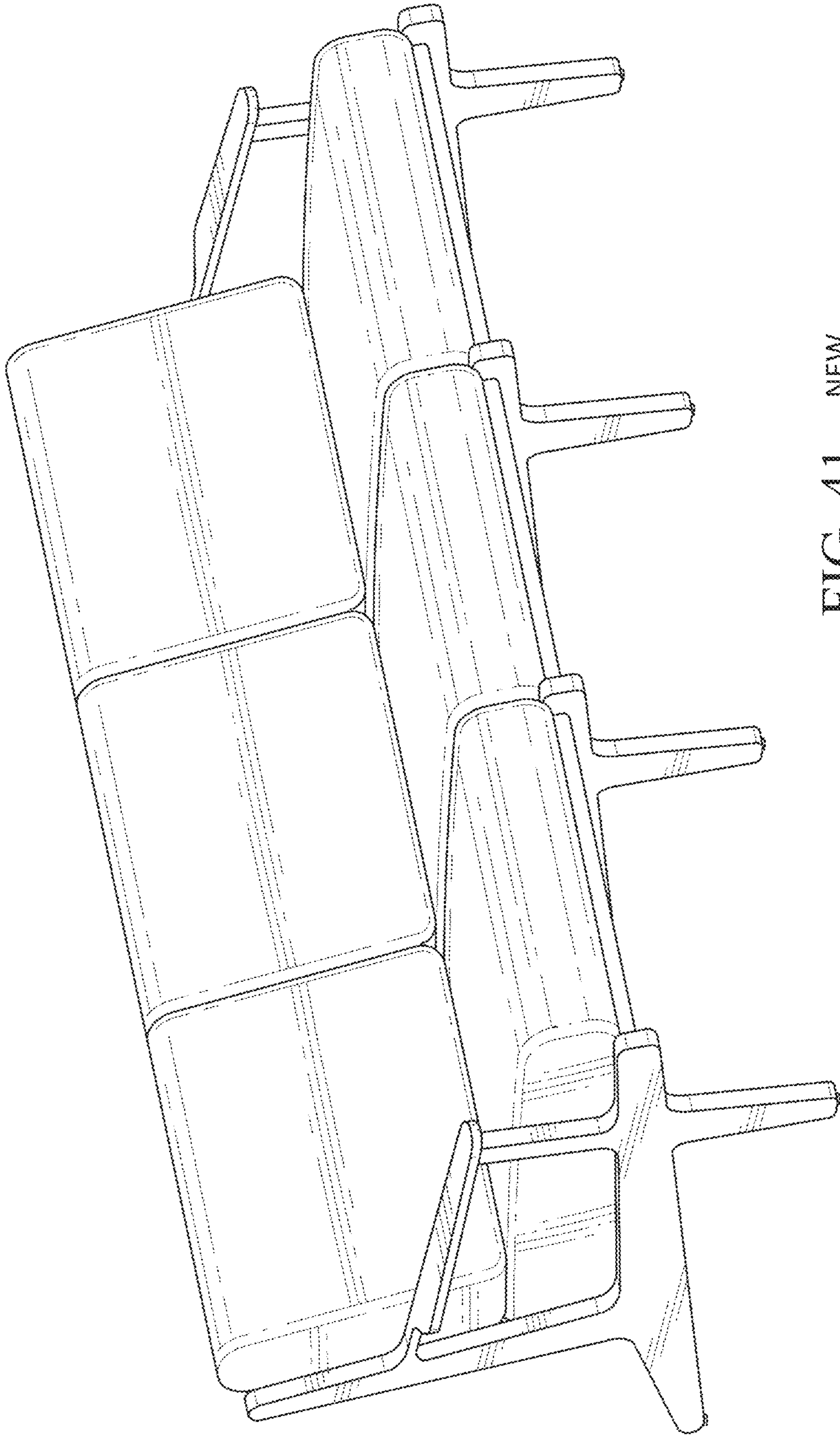


FIG. 41 NEW

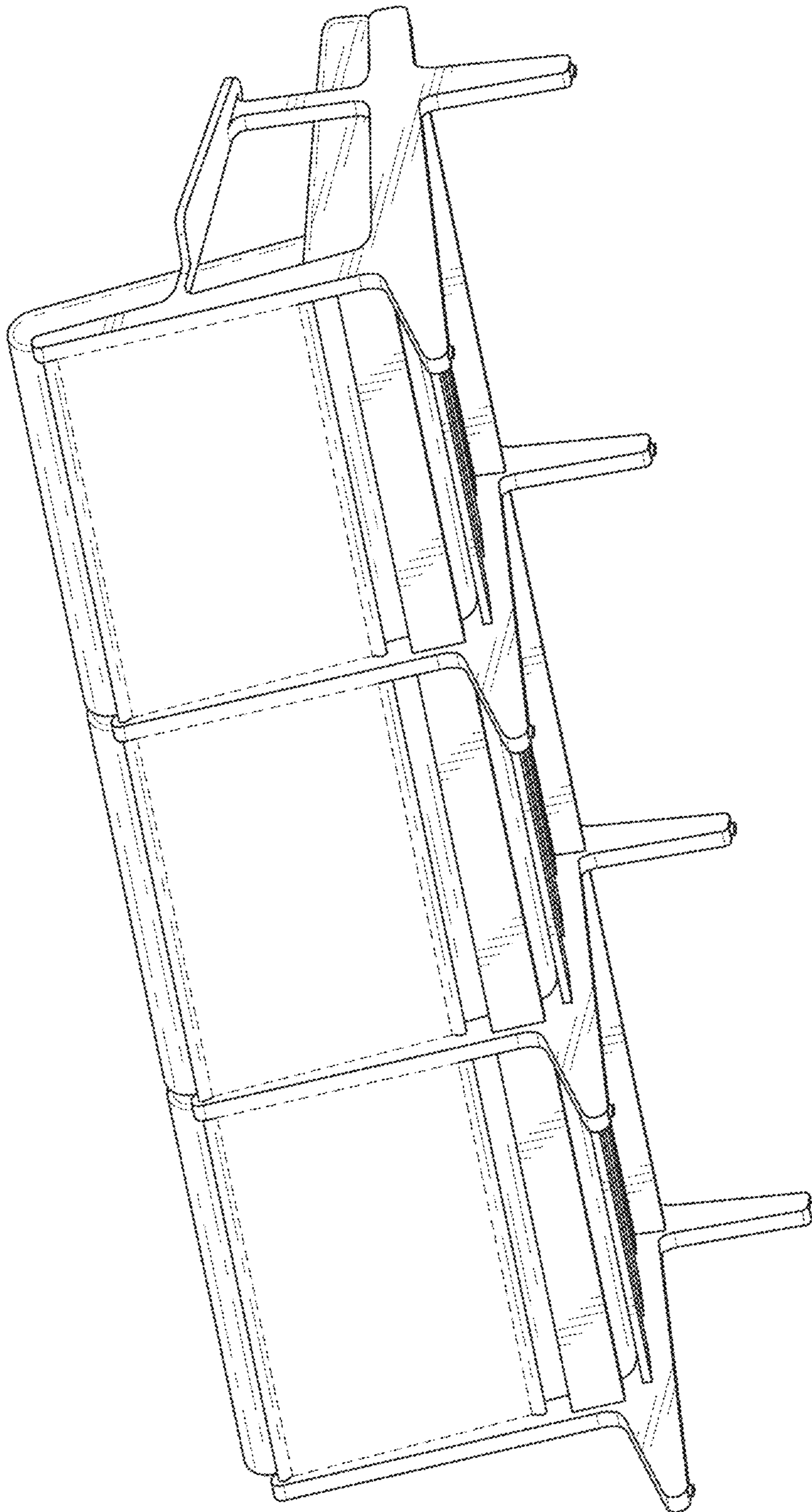


FIG. 42 NEW

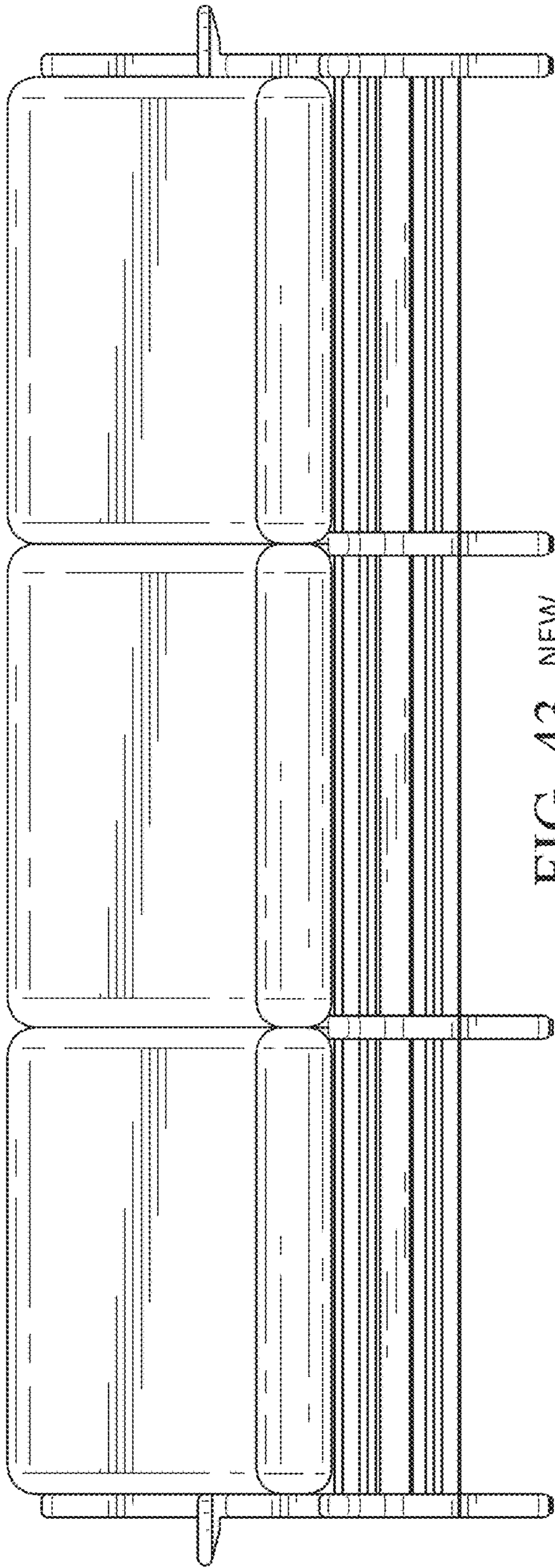


FIG. 43 NEW

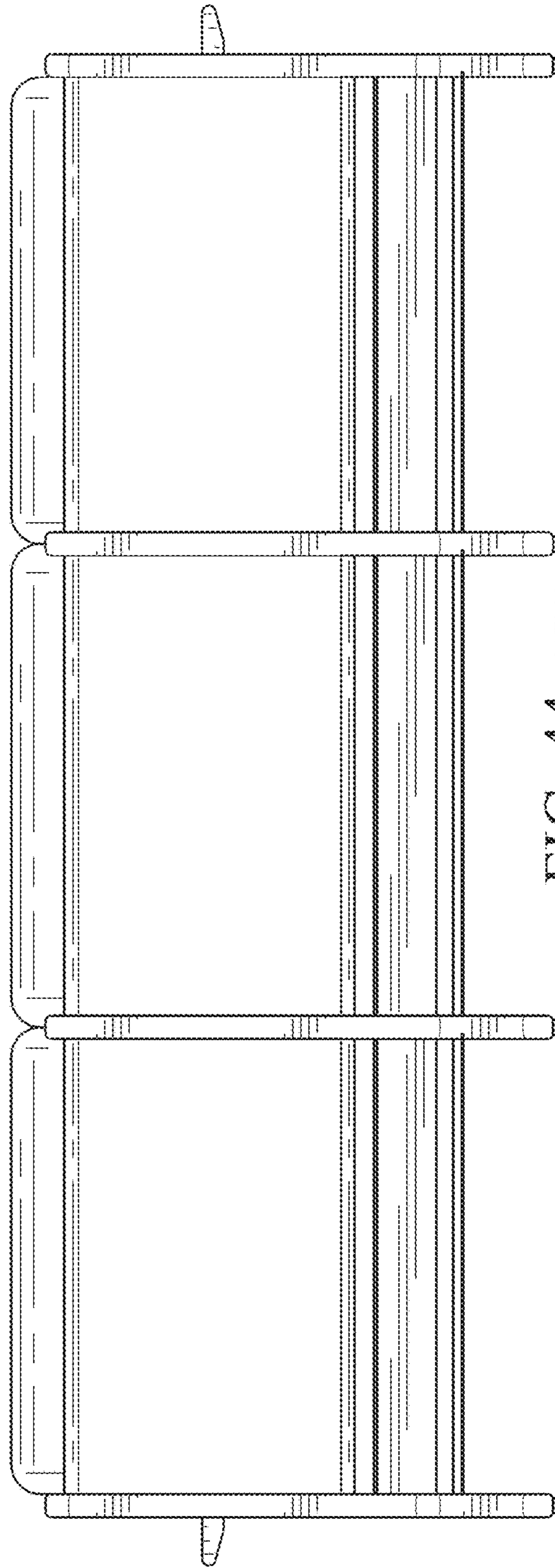


FIG. 44 NEW

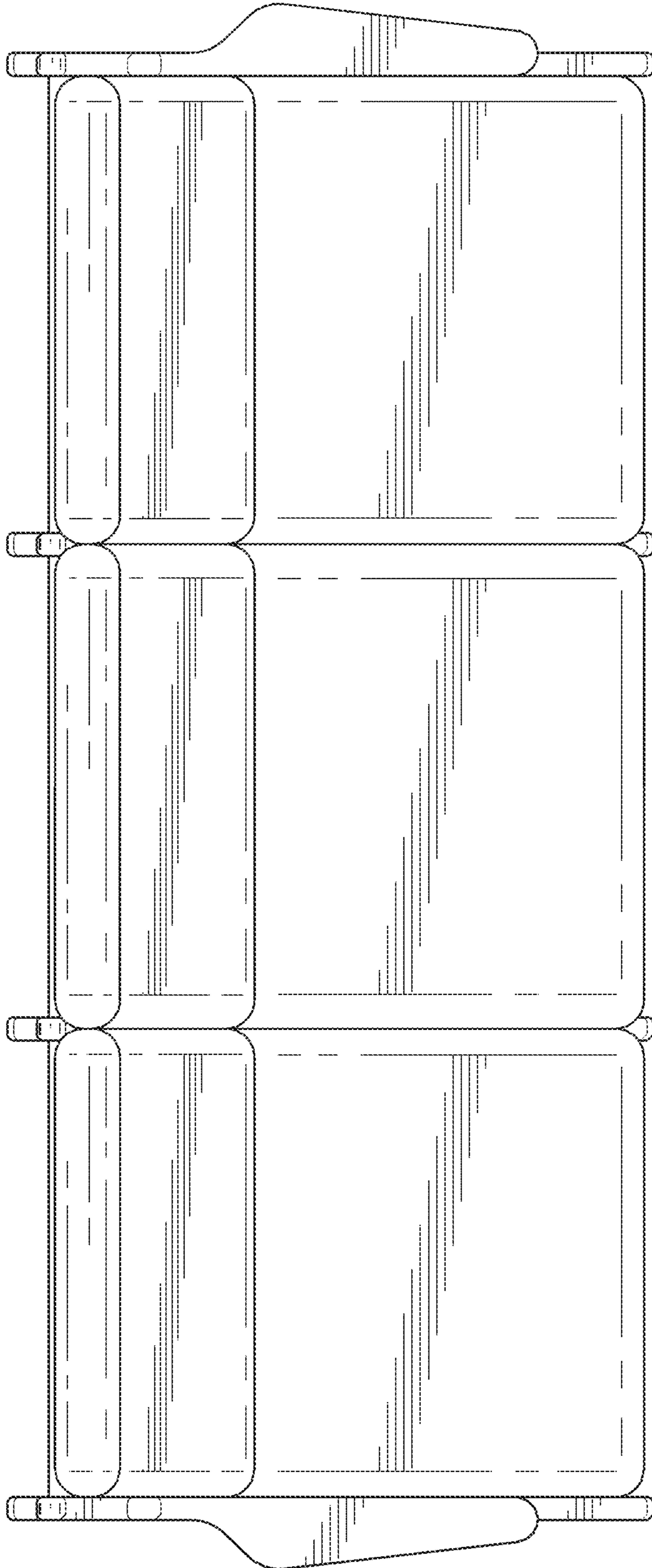


FIG. 45 NEW

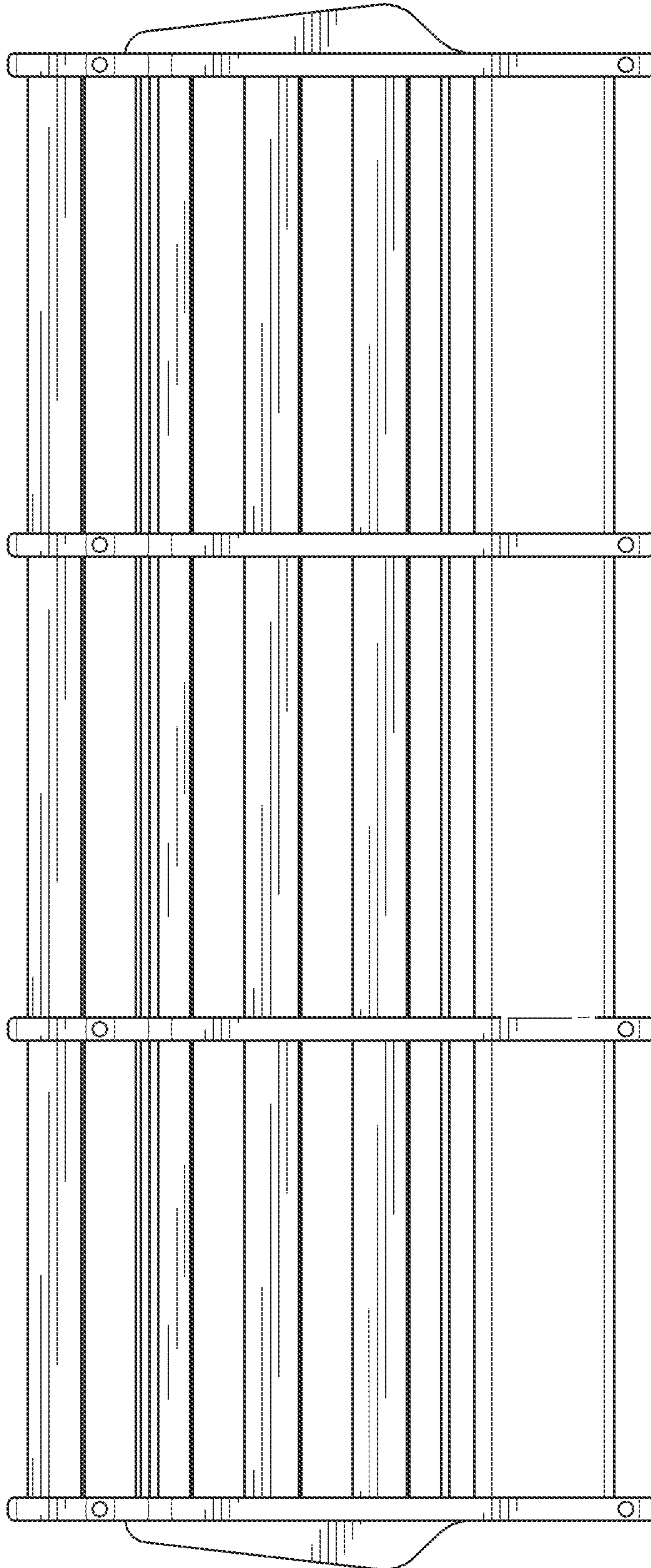


FIG. 46 NEW

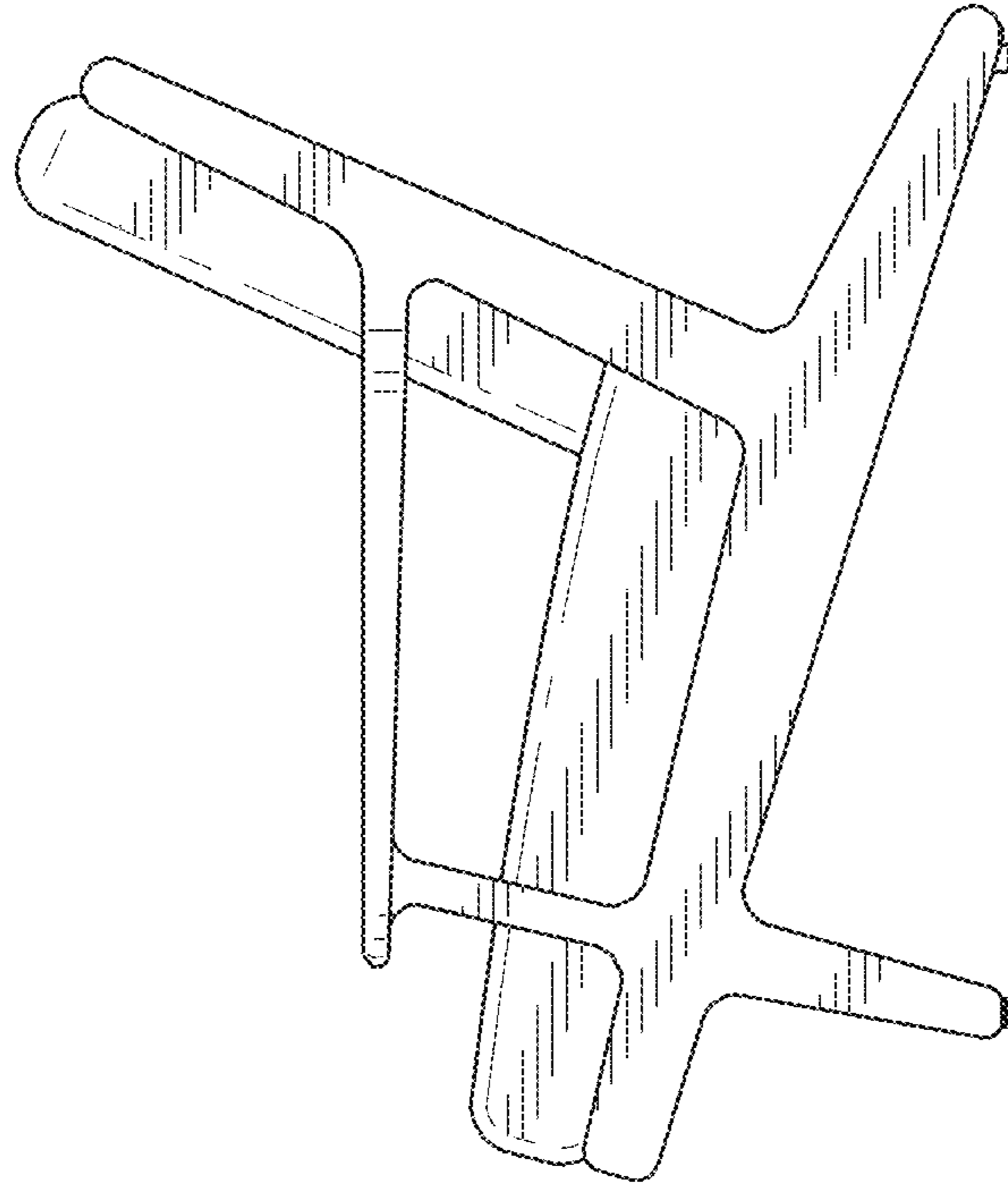


FIG. 48 NEW

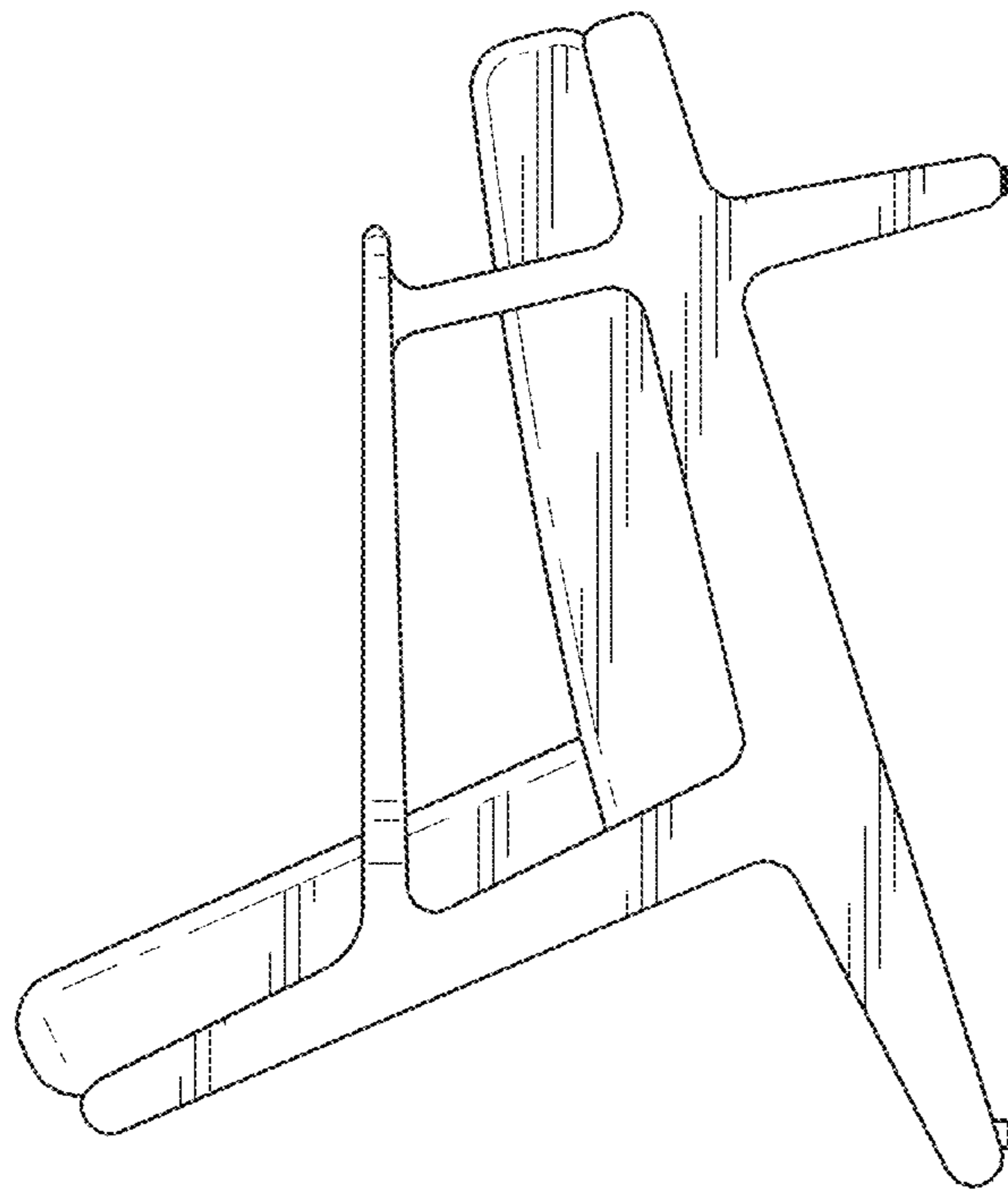


FIG. 47 NEW