



US00RE47880E

(19) **United States**
(12) **Reissued Patent**
Li

(10) **Patent Number: US RE47,880 E**
(45) **Date of Reissued Patent: Mar. 3, 2020**

(54) **BUMPER/GRILLE GUARD FOR VEHICLES**
(71) Applicant: **Tyger Auto Inc.**, Bellingham, WA (US)
(72) Inventor: **Ming Li**, Coquitlam (CA)
(73) Assignee: **M2 Distribution Ltd.**, Port Coquitlam (CA)
(21) Appl. No.: **29/696,649**
(22) Filed: **Jun. 28, 2019**

D425,462 S * 5/2000 Ujiie D12/171
D440,530 S * 4/2001 Geisler D12/171
D483,708 S * 12/2003 Roehmer D12/171
D507,999 S * 8/2005 Potak D12/171

(Continued)

Primary Examiner — Darlington Ly

(74) *Attorney, Agent, or Firm* — Eric J. Sosenko;
Jonathan P. O'Brien; Honigman LLP

(57) **CLAIM**

The ornamental design for a bumper/grille guard for vehicles, as shown and described.

Related U.S. Patent Documents

Reissue of:

(64) Patent No.: **Des. 810,639**
Issued: **Feb. 20, 2018**
Appl. No.: **29/580,905**
Filed: **Oct. 13, 2016**

(51) **LOC (12) Cl.** **12-16**
(52) **U.S. Cl.**
USPC **D12/171**

(58) **Field of Classification Search**
USPC D12/86-92, 163-172
CPC B62D 25/0845; B60R 19/18; B60R 19/24;
B60R 19/44; B60R 19/48; B60R 19/56;
B60R 2019/527; B60R 2019/1886
See application file for complete search history.

(56) **References Cited**

U.S. PATENT DOCUMENTS

D333,457 S * 2/1993 La Foe D12/171
D361,316 S * 8/1995 Orth, Sr. D12/171
D383,719 S * 9/1997 Thorne D12/171
D384,625 S * 10/1997 Thorne D12/171
D388,042 S * 12/1997 Thorne D12/171
D396,678 S * 8/1998 Shklyaver D12/171
D410,879 S * 6/1999 Orth, Sr. D12/171
D416,219 S * 11/1999 Waagenaar D12/171
D420,962 S * 2/2000 Chevalier D12/171
D422,952 S * 4/2000 Waagenaar D12/171
D422,953 S * 4/2000 Waagenaar D12/171

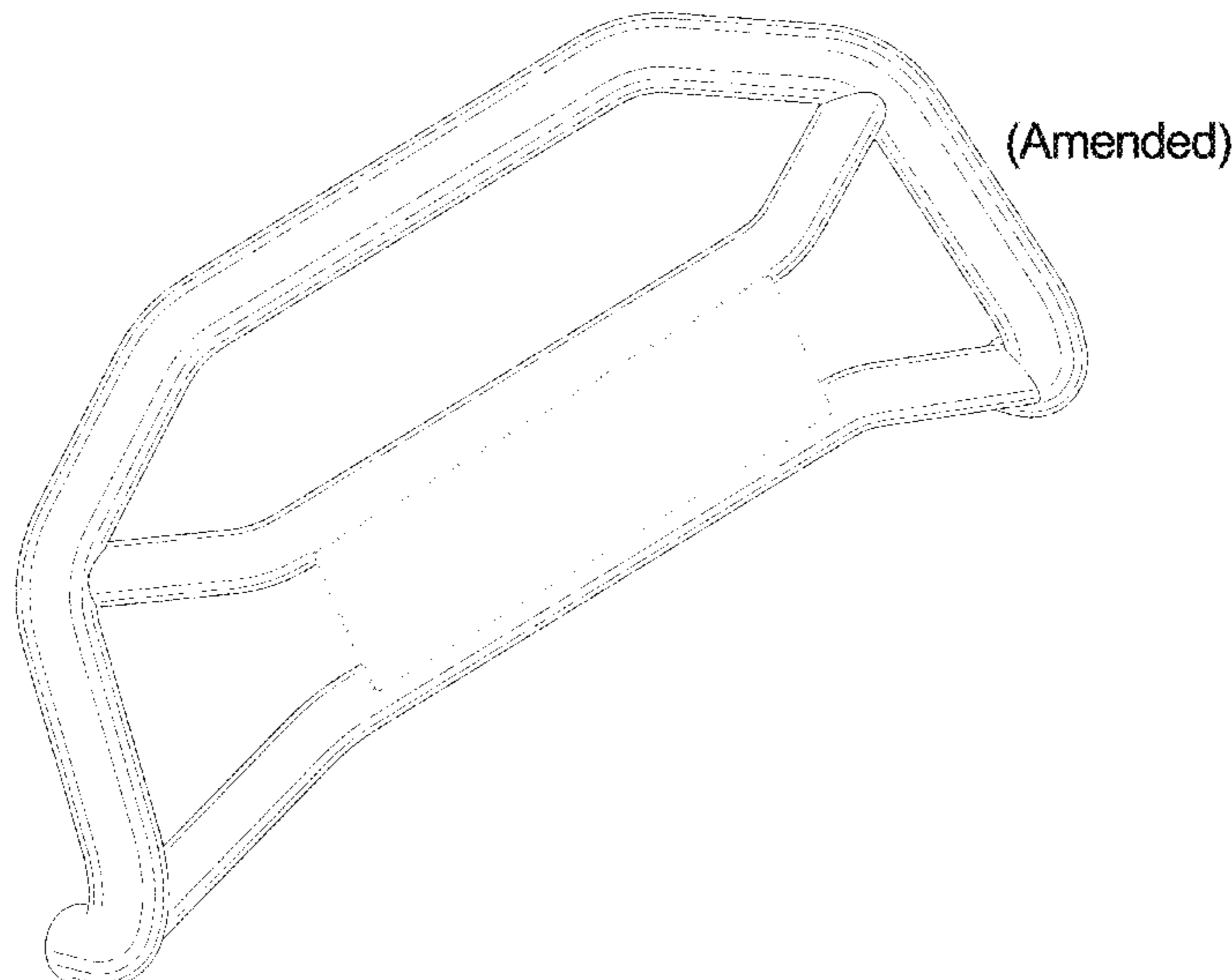
DESCRIPTION

FIG. 1 is a top, front, and right side perspective view of a bumper/grille guard for vehicles showing my new design; FIG. 2 is a front elevation view thereof; FIG. 3 is a left side elevation view thereof; FIG. 4 is a right side elevation view thereof; FIG. 5 is a top plan view thereof; FIG. 6 is a bottom plan view thereof; and[,] FIG. 7 is a rear elevation view thereof. *FIG. 8 is a top, front, and right side perspective view of a bumper/grille guard for vehicles showing my new design in accordance to an alternate embodiment; FIG. 9 is a front elevation view thereof; FIG. 10 is a left elevation view thereof; FIG. 11 is a right side elevation view thereof; FIG. 12 is a top plan view thereof; FIG. 13 is a bottom plan view thereof; and, FIG. 14 is a rear elevation view thereof.*

The broken lines shown *in the figures* illustrate portions of the bumper/grille guard for vehicles that form no part of the claimed design.

1 Claim, 10 Drawing Sheets

Matter enclosed in heavy brackets [] appears in the original patent but forms no part of this reissue; matter printed in italics indicates the additions made by reissue.



(56)

References Cited

U.S. PATENT DOCUMENTS

D517,963	S	*	3/2006	Potak	D12/171
D523,383	S	*	6/2006	Fox	D12/171
D527,696	S	*	9/2006	Ichikawa	D12/171
D528,481	S	*	9/2006	Taveras	D12/171
D532,348	S	*	11/2006	Kudo	D12/171
D535,923	S	*	1/2007	Katoh	D12/171
D551,138	S	*	9/2007	Storer	D12/171
D572,180	S	*	7/2008	Storer	D12/171
D577,319	S	*	9/2008	Storer	D12/171
D580,322	S	*	11/2008	Schroeder	D12/107
D606,913	S	*	12/2009	Robertson	D12/171
D614,095	S	*	4/2010	Fretz	D12/171
D614,096	S	*	4/2010	Fretz	D12/171
D618,600	S	*	6/2010	Lorenzo	D12/171
D619,060	S	*	7/2010	Lorenzo	D12/171
D619,061	S	*	7/2010	Lorenzo	D12/171
D626,474	S	*	11/2010	Lorenzo	D12/171
D636,305	S	*	4/2011	Alvarez	D12/171
D640,618	S	*	6/2011	Lorenzo	B60R 19/44 D12/171
D689,417	S	*	9/2013	Shelters	D12/171
D724,505	S	*	3/2015	Schroeder	D12/171
D726,605	S	*	4/2015	Schroeder	D12/171
D743,856	S	*	11/2015	Ma	D12/171
D755,094	S	*	5/2016	Lanini	D12/171
D777,618	S	*	1/2017	Setina	D12/171

* cited by examiner

FIG. 1
(Amended)

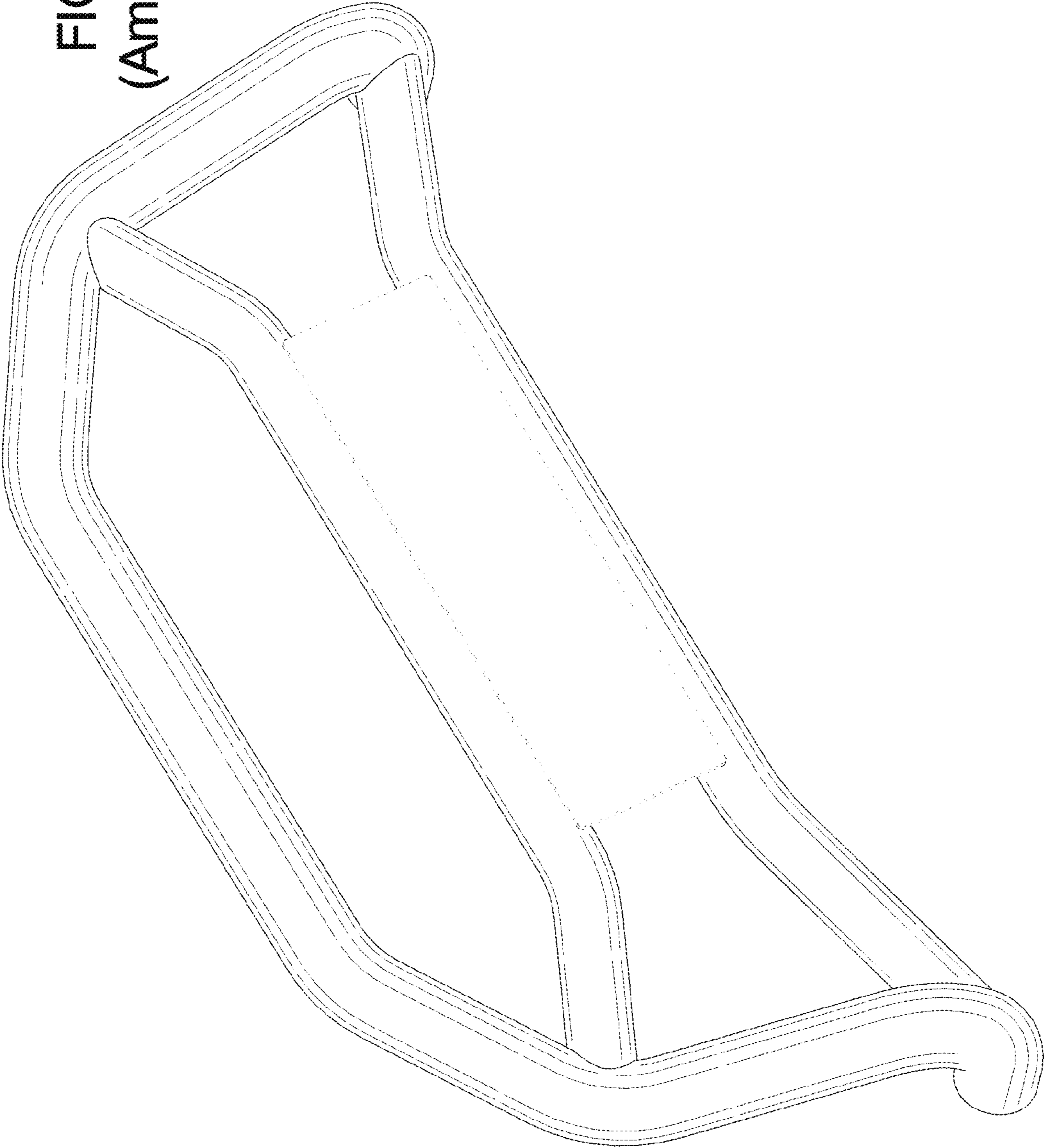


FIG. 2
(Amended)

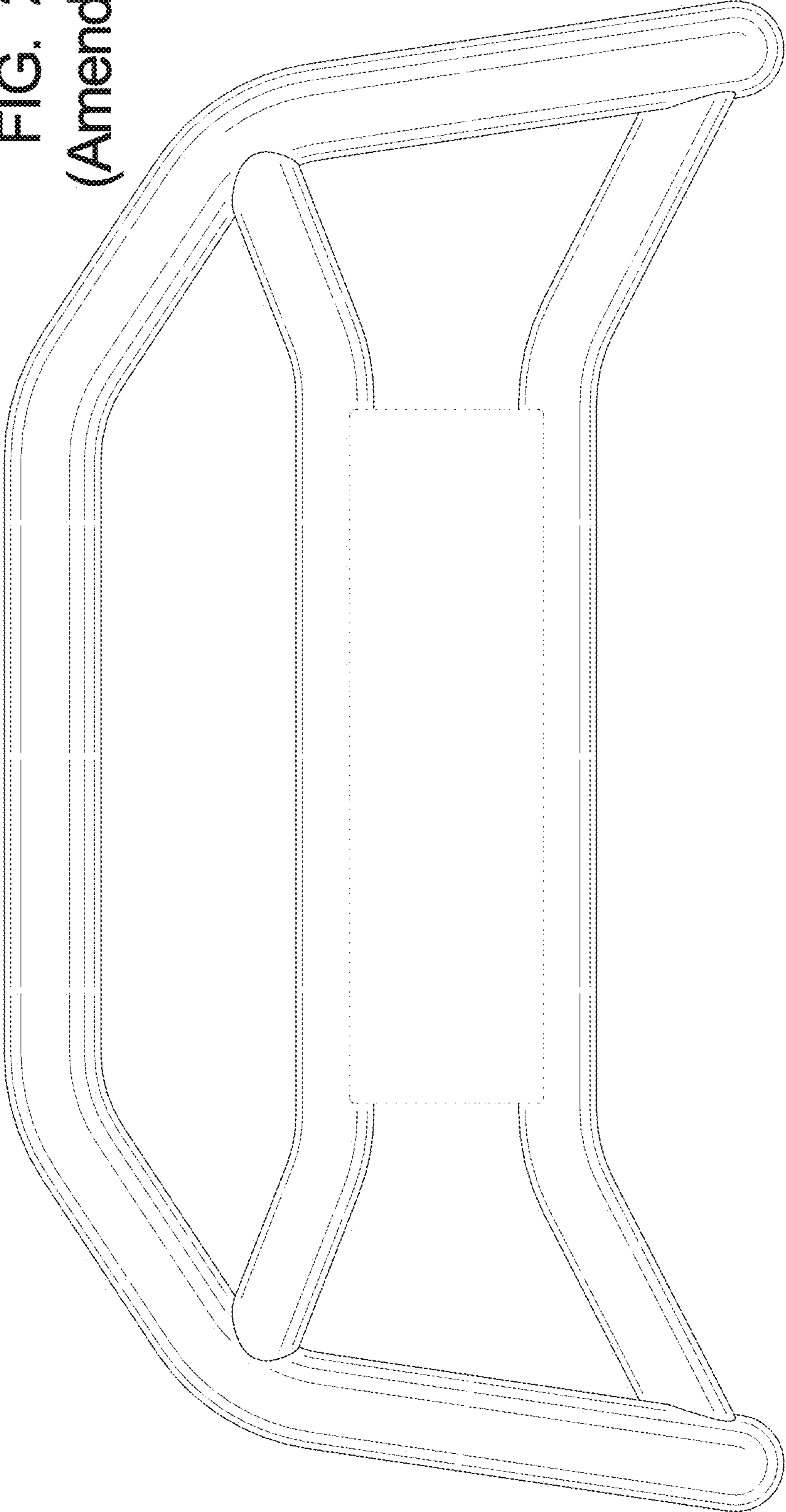


FIG. 4
(Amended)

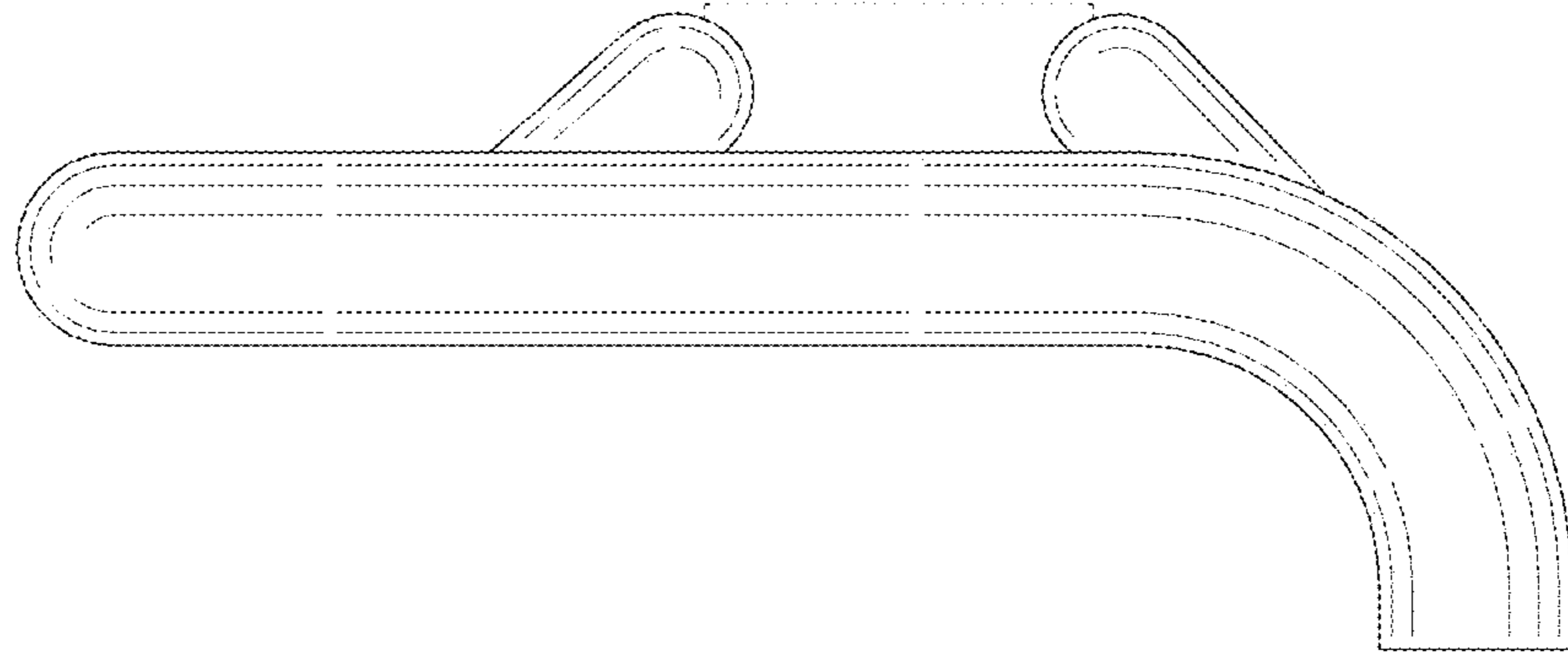


FIG. 3
(Amended)

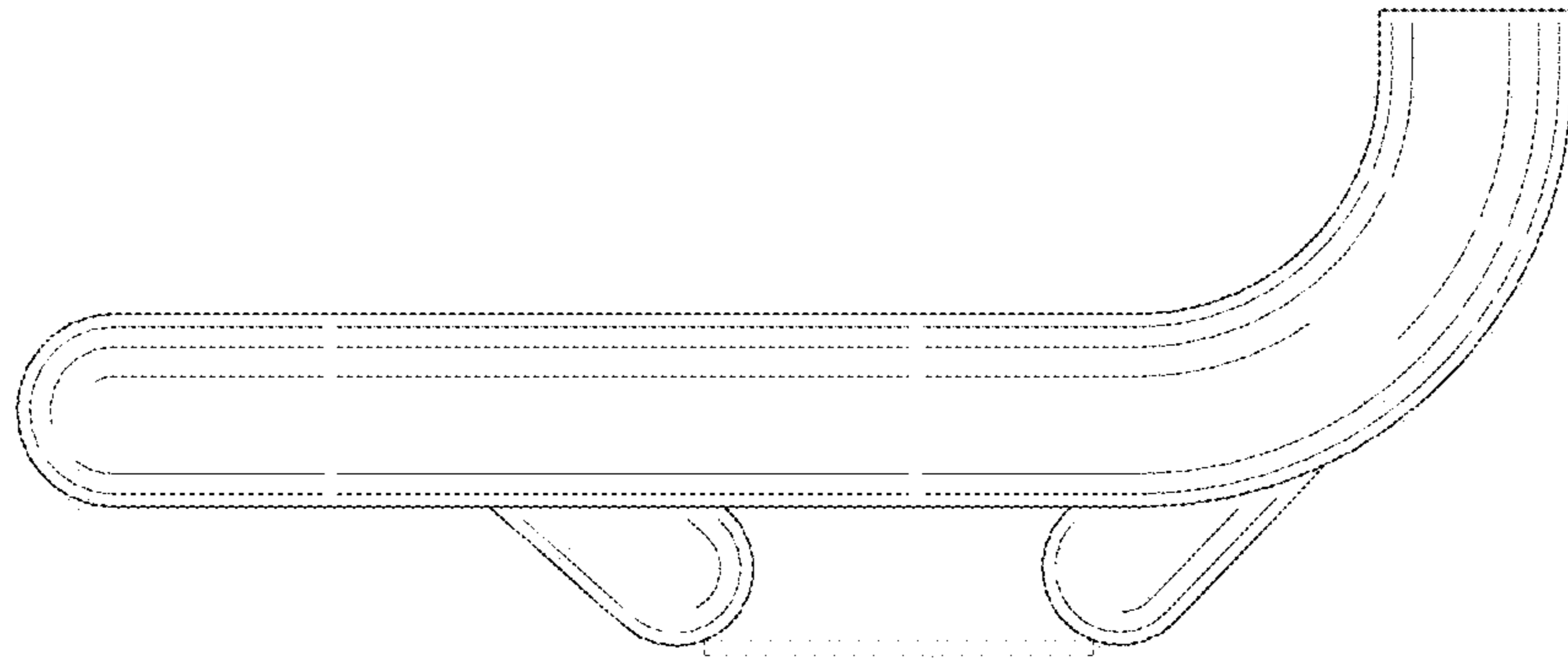


FIG. 5
(Amended)

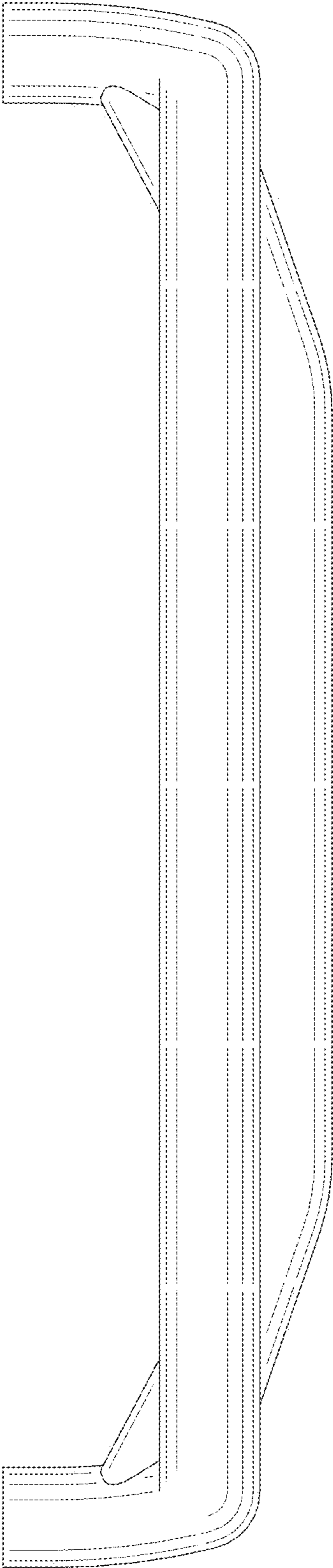


FIG. 6
(Amended)

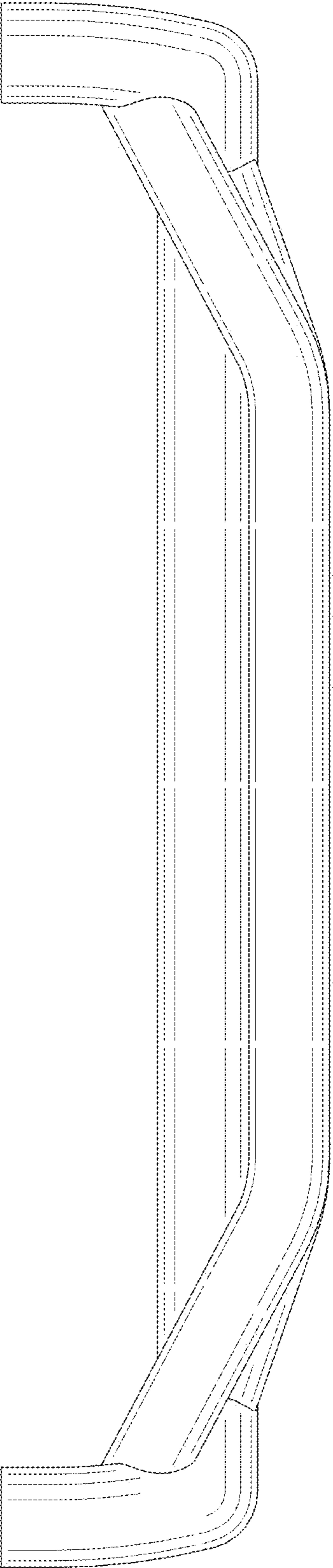


FIG. 7
(Amended)

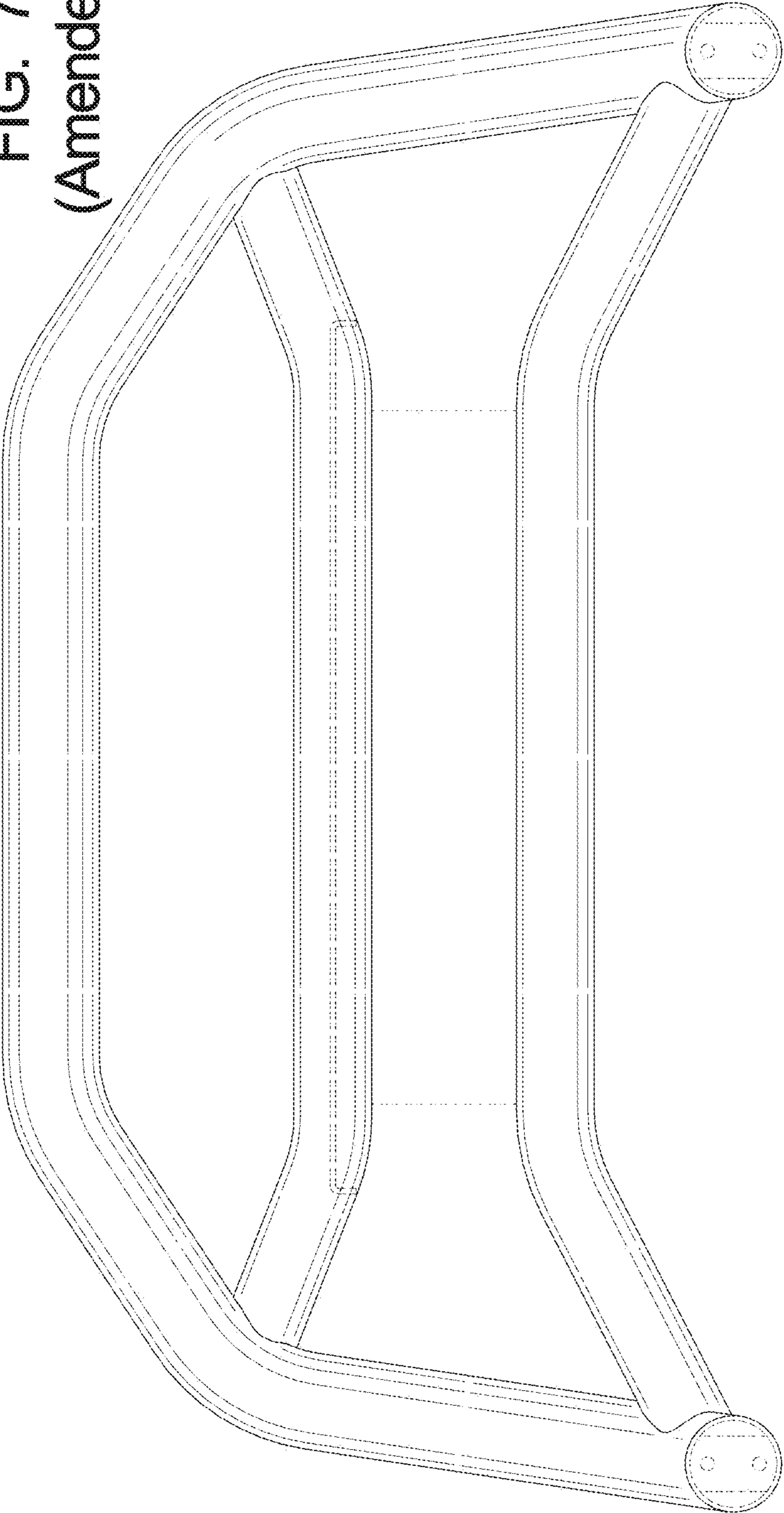


FIG. 8
(New)

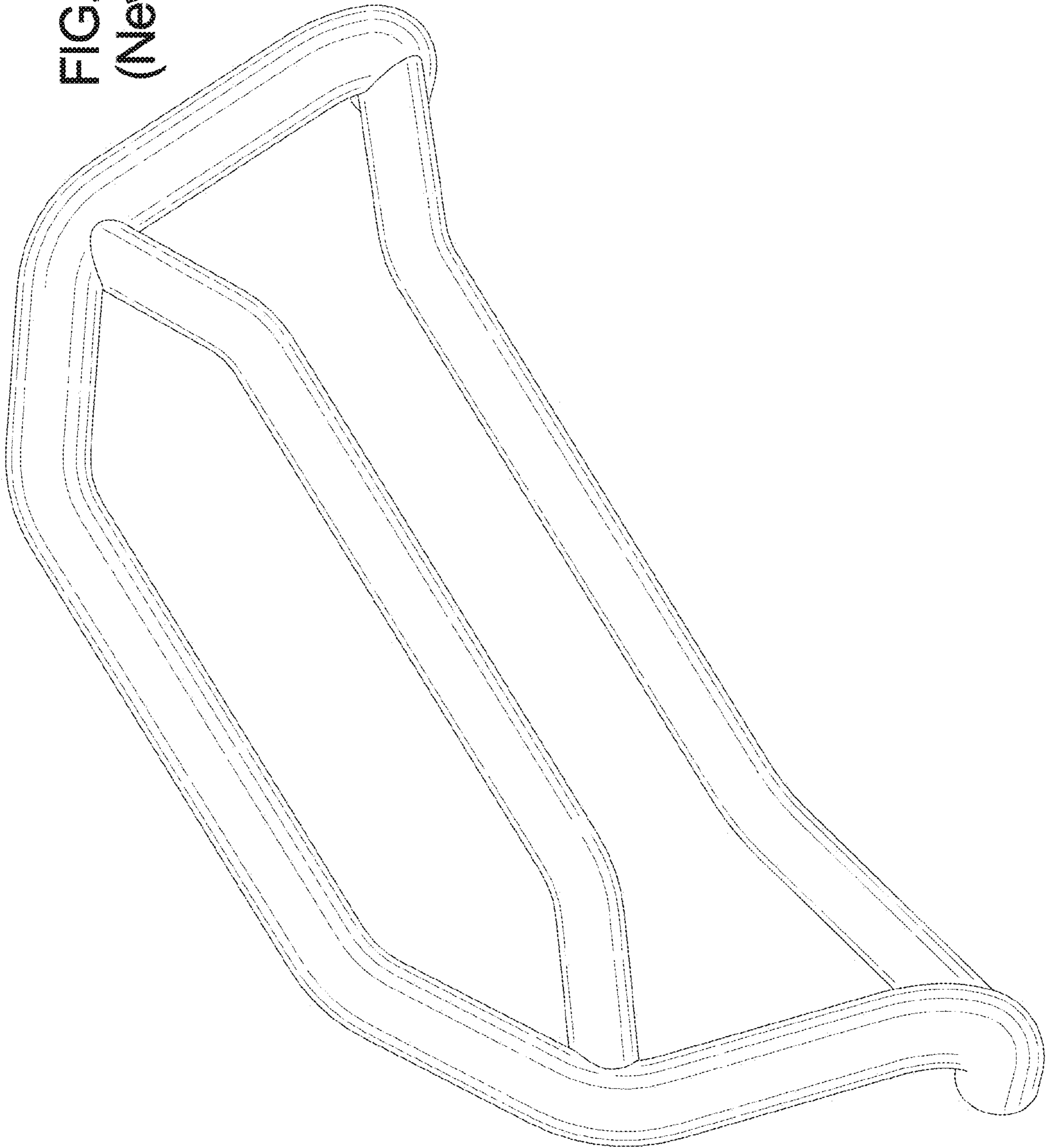


FIG. 9
(New)

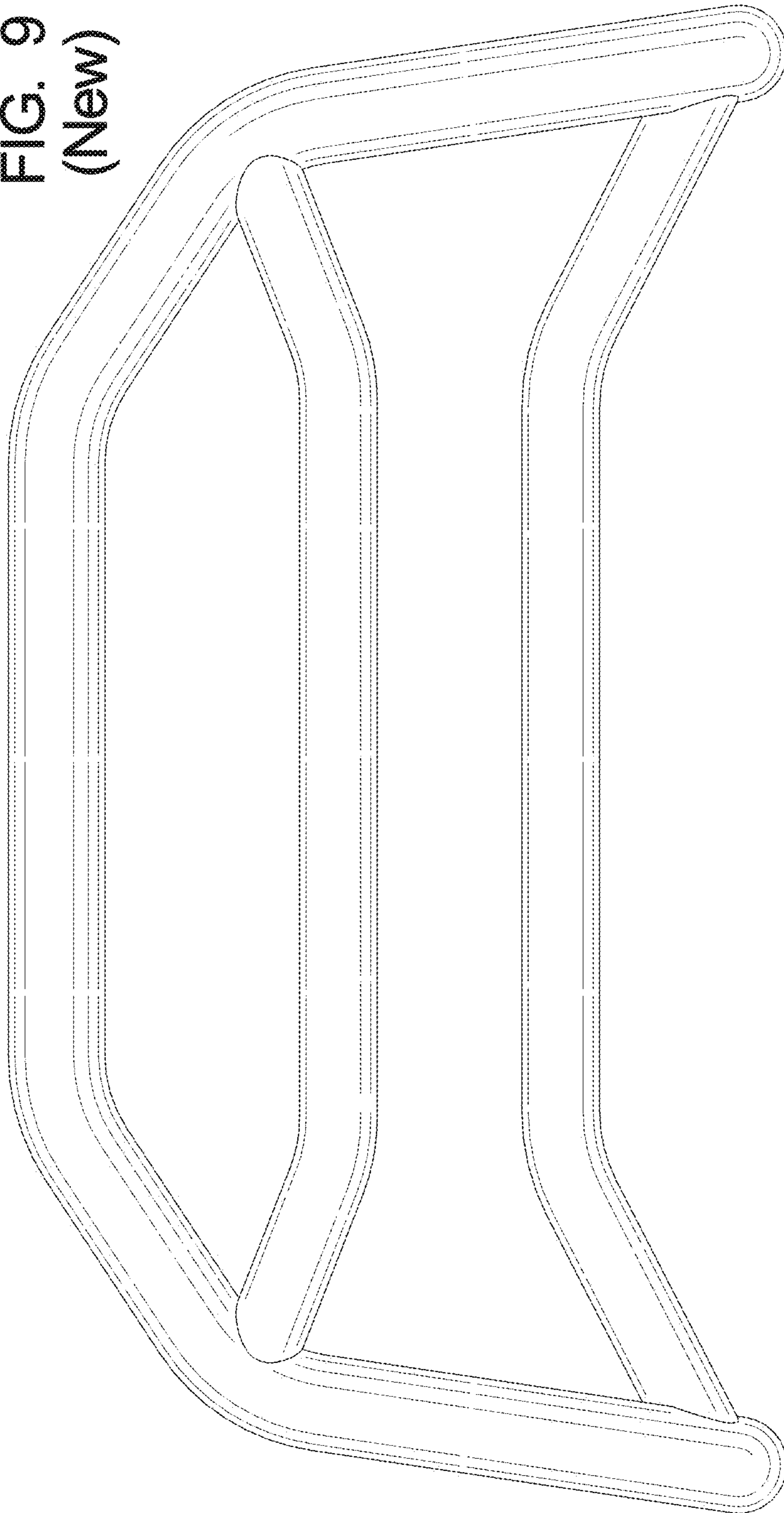


FIG. 11
(New)

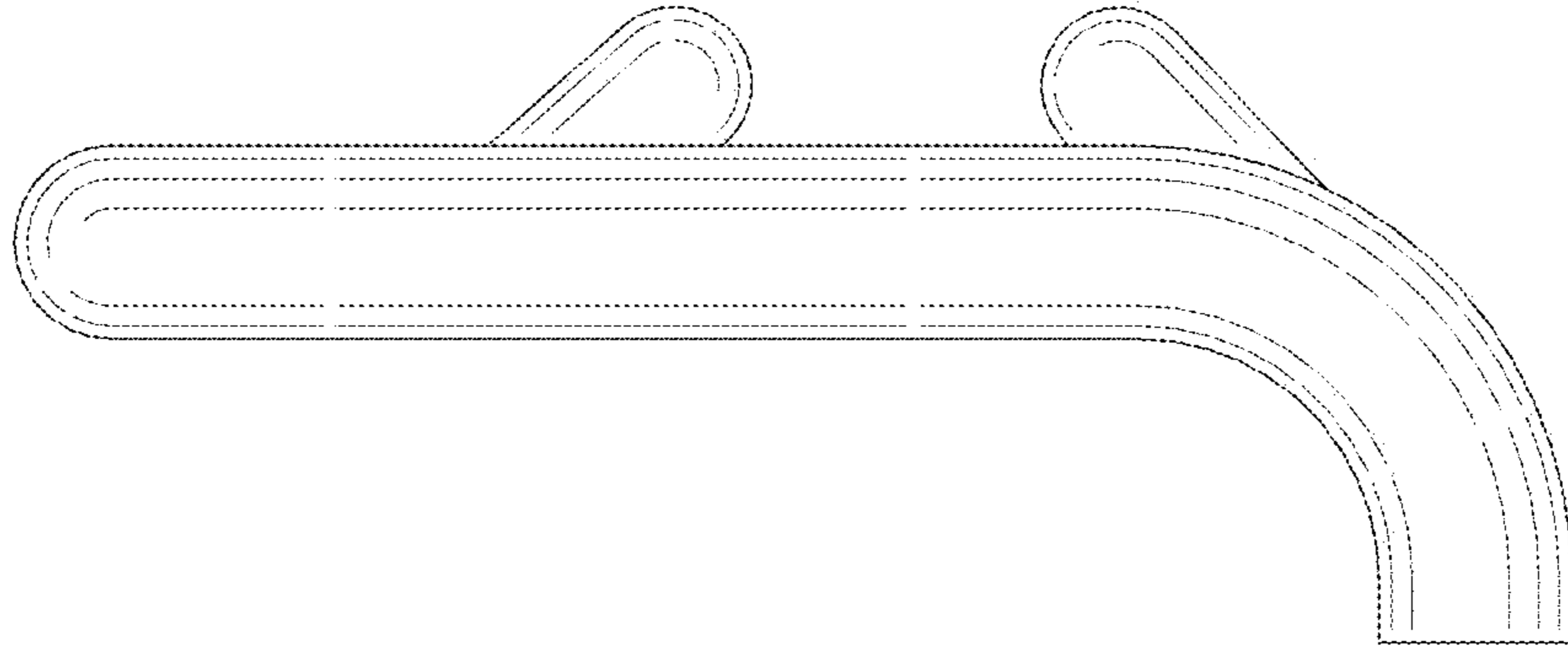


FIG. 10
(New)

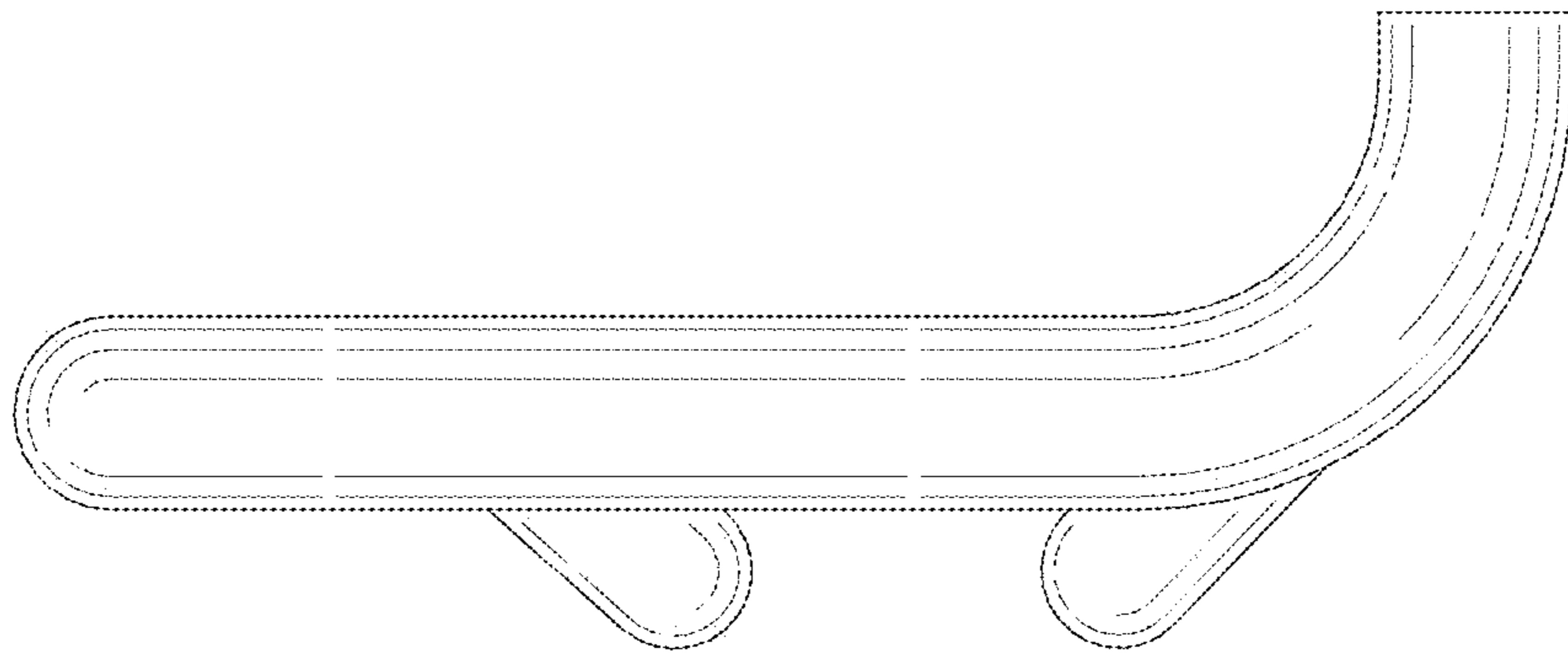


FIG. 12
(New)

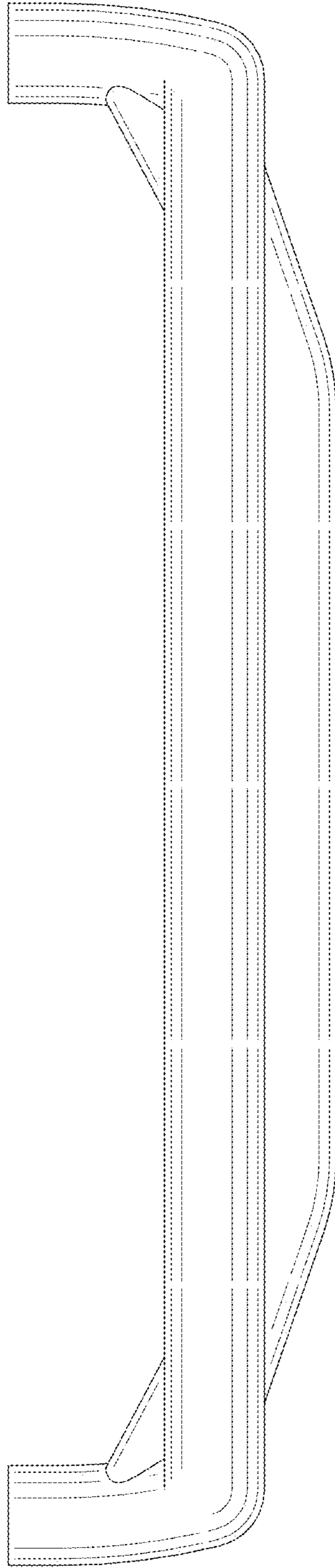


FIG. 13
(New)

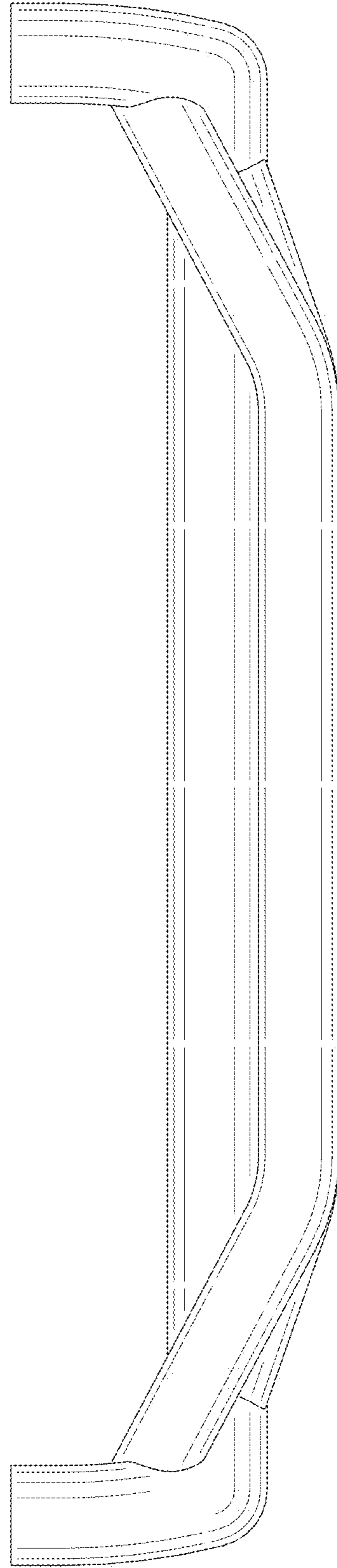


FIG. 14
(New)

