



US00RE47871E

(19) **United States**
(12) **Reissued Patent**
Jones et al.

(10) **Patent Number: US RE47,871 E**
(45) **Date of Reissued Patent: Feb. 25, 2020**

(54) **SYSTEMS AND METHODS FOR DELIVERING BONE CEMENT TO A BONE ANCHOR**

(56) **References Cited**

U.S. PATENT DOCUMENTS

(71) Applicant: **DePuy Synthes Products, Inc.**,
Raynham, MA (US)

3,987,499 A 10/1976 Scharbach et al.
4,611,681 A 9/1986 Krude
(Continued)

(72) Inventors: **Bryan S. Jones**, West Roxbury, MA (US); **Michael Michielli**, Medway, MA (US); **Mark Hall**, Bridgewater, MA (US); **Kevin Lee**, Canton, MA (US)

FOREIGN PATENT DOCUMENTS

EP 0340159 1/1993
EP 0340159 B1 1/1993
(Continued)

(73) Assignee: **DePuy Synthes Products, Inc.**,
Raynham, MA (US)

OTHER PUBLICATIONS

(21) Appl. No.: **15/238,947**

Confidence Surgical Technique Guide Spinal Cement System, 2008, 16 pages.

(22) Filed: **Aug. 17, 2016**

(Continued)

Related U.S. Patent Documents

Reissue of:

(64) Patent No.: **9,265,548**
Issued: **Feb. 23, 2016**
Appl. No.: **13/832,054**
Filed: **Mar. 15, 2013**

Primary Examiner — Cary E Wehner

(74) *Attorney, Agent, or Firm* — Nutter McClennen & Fish LLP

U.S. Applications:

(62) Division of application No. 12/608,333, filed on Oct. 29, 2009, now abandoned.
(Continued)

(57) **ABSTRACT**

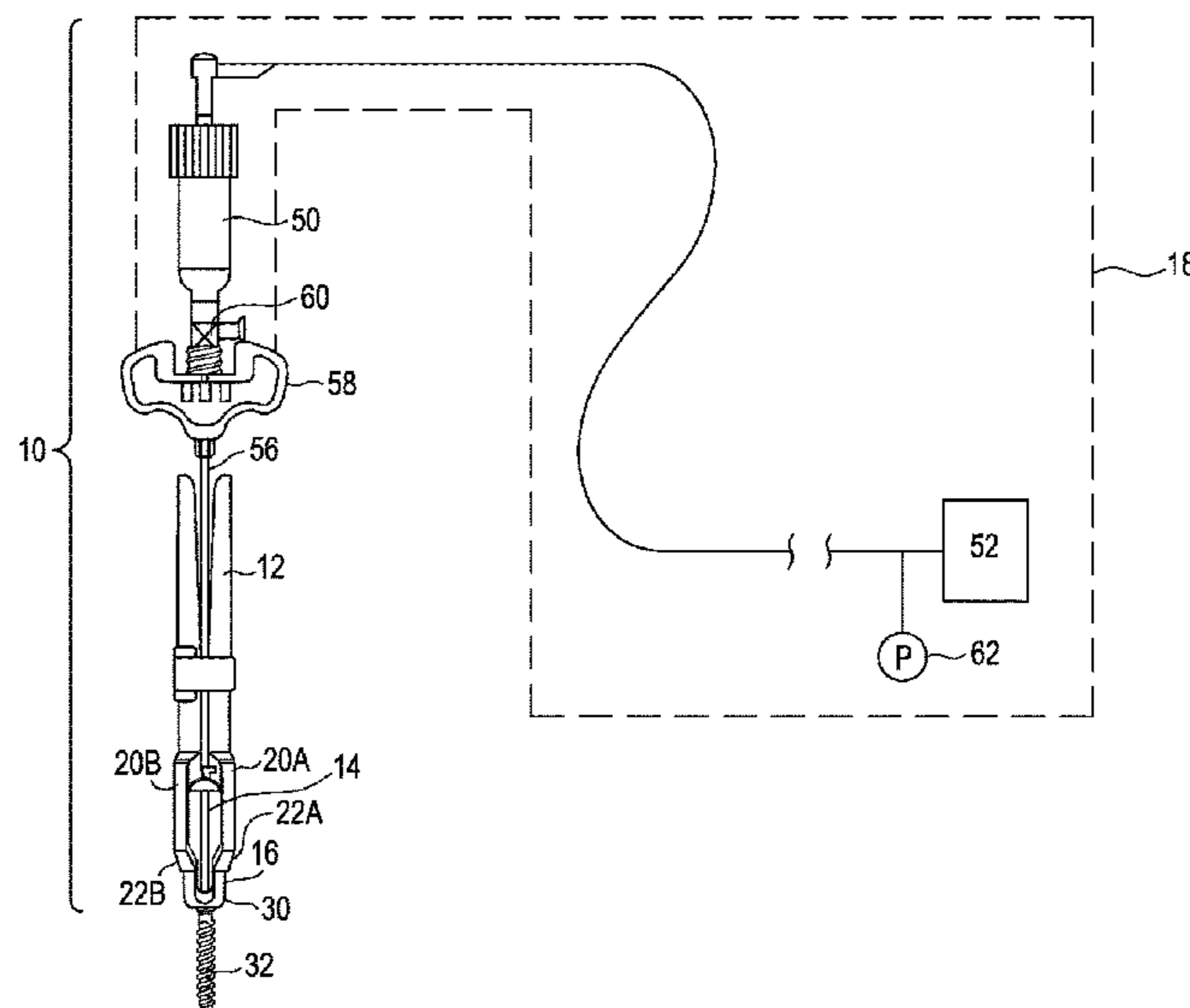
A method of stabilizing a first vertebra and a second vertebra includes implanting a first bone anchor into the first vertebra, implanting a second bone anchor into the second vertebra, connecting a first anchor connection instrument to the first anchor, connecting a second anchor connection instrument to the second anchor, positioning a cement delivery tube into a passage provided through the first anchor, delivering bone cement from a bone cement delivery system coupled to the bone cement delivery tube through the passage in the first anchor to the first vertebra, removing the cement delivery tube from the first anchor connection instrument and the first anchor, connecting the cement delivery tube to second anchor connecting instrument connected to the second anchor, delivering bone cement through a passage in the second anchor to the second vertebra, connecting a spinal connection element to the first anchor and the second anchor.

(51) **Int. Cl.**
A61B 17/88 (2006.01)
A61B 17/70 (2006.01)
(Continued)

(52) **U.S. Cl.**
CPC **A61B 17/8805** (2013.01); **A61B 17/7076** (2013.01); **A61B 17/7085** (2013.01);
(Continued)

(58) **Field of Classification Search**
None
See application file for complete search history.

46 Claims, 31 Drawing Sheets



Related U.S. Application Data

(60) Provisional application No. 61/109,661, filed on Oct. 30, 2008.

(51) **Int. Cl.**

A61B 17/86 (2006.01)

A61B 17/00 (2006.01)

(52) **U.S. Cl.**

CPC *A61B 17/7098* (2013.01); *A61B 17/8816* (2013.01); *A61B 17/7032* (2013.01); *A61B 17/7086* (2013.01); *A61B 17/864* (2013.01); *A61B 17/8822* (2013.01); *A61B 2017/0023* (2013.01)

(56)

References Cited

U.S. PATENT DOCUMENTS

4,653,489	A	3/1987	Tronzo	6,582,439	B1	6/2003	Sproul
4,950,270	A	8/1990	Bowman	6,585,740	B2	7/2003	Schlapfer
5,019,079	A	5/1991	Ross	6,589,245	B1	7/2003	Weiler
5,034,011	A	7/1991	Howland	6,620,169	B1	9/2003	Peterson
5,047,030	A	9/1991	Draenert	6,645,213	B2	11/2003	Sand
5,084,050	A	1/1992	Draenert	6,648,893	B2	11/2003	Dudasik
5,098,435	A	3/1992	Stednitz et al.	6,676,664	B1	1/2004	Al-Assir
5,169,400	A	12/1992	Muhling et al.	6,679,890	B2	1/2004	Margulies
5,180,382	A	1/1993	Frigg	6,689,137	B2	2/2004	Reed
5,192,282	A	3/1993	Draenert	6,719,761	B1	4/2004	Reiley
5,209,753	A	5/1993	Biedermann	6,752,809	B2	6/2004	Gorek
5,435,723	A	7/1995	O'Brien	6,755,829	B1	6/2004	Bono
5,456,685	A	10/1995	Huebner	6,755,835	B2	6/2004	Schultheiss
5,492,442	A	2/1996	Lasner	6,800,078	B2	10/2004	Reed
5,514,137	A	5/1996	Coutts	6,800,079	B2	10/2004	Reed
5,562,672	A	10/1996	Huebner	6,824,564	B2	11/2004	Crozet
5,593,410	A	1/1997	Vrespa	6,846,313	B1	1/2005	Rogers
5,658,338	A	8/1997	Tullos et al.	6,863,671	B1	3/2005	Strobel
5,695,497	A	12/1997	Stahelin	6,942,666	B2	9/2005	Overaker
5,697,917	A	12/1997	Sadowski et al.	6,981,973	B2	1/2006	McKinley
5,698,497	A	12/1997	Haddon et al.	6,981,974	B2	1/2006	Berger
5,713,903	A	2/1998	Sander	7,097,648	B1	8/2006	Globerman
5,725,581	A	3/1998	Bränemark	7,112,205	B2	9/2006	Carrison
5,735,898	A	4/1998	Bränemark	7,179,261	B2	2/2007	Sievol
5,738,685	A	4/1998	Halm	7,186,255	B2	3/2007	Baynham
5,743,912	A	4/1998	Lahille et al.	7,235,079	B2	6/2007	Jensen
5,816,812	A	10/1998	Kownacki	7,250,055	B1 *	7/2007	Vanderwalle 606/92
5,824,087	A	10/1998	Aspden et al.	7,261,716	B2	8/2007	Strobel
5,964,768	A	10/1999	Huebner	7,300,439	B2	11/2007	May
5,997,539	A	12/1999	Errico	7,309,346	B2	12/2007	Martinek
6,010,508	A	1/2000	Bradley	7,325,470	B2	2/2008	Kay
6,030,162	A	2/2000	Huebner	7,354,442	B2 *	4/2008	Sasso et al. 606/280
6,048,343	A	4/2000	Mathis et al.	7,455,685	B2	11/2008	Justis
6,074,393	A	6/2000	Sitoto	7,527,638	B2	5/2009	Anderson
6,083,225	A	7/2000	Winslow et al.	7,544,196	B2	6/2009	Bagga
6,083,227	A	7/2000	Saurat	7,572,263	B2	8/2009	Preissman
6,096,060	A	8/2000	Fitts et al.	7,608,097	B2	10/2009	Kyle
6,117,137	A	9/2000	Halm	7,621,950	B1	11/2009	Globerman
6,214,012	B1 *	4/2001	Karpman et al. 606/93	7,717,947	B1 *	5/2010	Wilberg et al. 606/304
6,217,581	B1	4/2001	Tolson	7,766,945	B2	8/2010	Nilsson
6,267,785	B1	7/2001	Masini	7,799,062	B2	9/2010	Crozet
6,283,973	B1	9/2001	Hubbard	7,824,044	B2	11/2010	Tochigi et al.
6,348,055	B1	2/2002	Preissman	7,824,411	B2	11/2010	Varieur
6,355,043	B1	3/2002	Adam	7,824,413	B2	11/2010	Varieur
6,375,657	B1	4/2002	Doubler	7,842,044	B2	11/2010	Runco
6,375,659	B1	4/2002	Erbe	7,850,717	B2	12/2010	Dewey
6,383,190	B1	5/2002	Preissman	7,918,878	B2	4/2011	Songer
6,402,758	B1	6/2002	Tolson	7,935,138	B1	5/2011	Richelsoph
6,436,100	B1	8/2002	Berger	8,012,186	B2	9/2011	Pham
6,443,988	B2	9/2002	Felt	8,075,604	B2	12/2011	Denis
6,517,542	B1	2/2003	Papay	8,100,916	B2	1/2012	Kumar et al.
6,551,323	B2	4/2003	Doubler	8,147,500	B2	4/2012	Beyar
6,554,830	B1	4/2003	Chappius	8,231,632	B1	7/2012	Jordan
6,565,566	B1	5/2003	Wagner	8,257,399	B2	9/2012	Biedermann
6,565,572	B2	5/2003	Chappius	8,277,494	B2	10/2012	Biedermann
6,565,573	B1	5/2003	Ferrante	8,308,782	B2	11/2012	Jackson
6,575,976	B2	6/2003	Grafton	8,343,201	B2	1/2013	Biyani
				8,366,717	B1	2/2013	Jordan
				8,372,126	B2 *	2/2013	Trieu et al. 606/304
				8,382,811	B2	2/2013	Crook
				8,403,973	B2	3/2013	Biyani
				8,491,302	B2	7/2013	Arni
				8,690,930	B2	4/2014	Biedermann
				8,747,411	B2 *	6/2014	Mitchell 606/104
				8,758,012	B2	6/2014	Hurson
				8,870,836	B2 *	10/2014	Sweeney 604/264
				9,265,548	B2	2/2016	Jones et al.
				9,326,801	B2 *	5/2016	Poulos A61B 17/864
				2001/0004710	A1	6/2001	Felt
				2001/0007074	A1	7/2001	Strobel
				2001/0021852	A1	9/2001	Chappius
				2002/0038123	A1	3/2002	Visotsky
				2002/0049447	A1	4/2002	Li
				2002/0082605	A1	6/2002	Reiley
				2002/0123752	A1	9/2002	Schultheiss
				2002/0147454	A1	10/2002	Neto
				2002/0169453	A1	11/2002	Berger
				2002/0193799	A1	12/2002	Chappuis
				2003/0045881	A1	3/2003	Barouk

(56)

References Cited

U.S. PATENT DOCUMENTS

2003/0045885 A1 3/2003 Margulies
 2003/0078589 A1 4/2003 Preissman
 2003/0083662 A1 5/2003 Middleton
 2003/0105468 A1 6/2003 Gorek
 2003/0120277 A1 6/2003 Berger
 2003/0130741 A1 7/2003 McMinn et al.
 2004/0006346 A1 1/2004 Holmen
 2004/0006348 A1 1/2004 Peterson
 2004/0015172 A1 1/2004 Biedermann
 2004/0092946 A1 5/2004 Bagga
 2004/0122431 A1 6/2004 Biedermann
 2004/0176767 A1 9/2004 Bickley
 2004/0210297 A1 10/2004 Lin
 2004/0225292 A1 11/2004 Sasso
 2004/0243137 A1 12/2004 Gorek
 2004/0260303 A1 12/2004 Carrison
 2004/0267265 A1 12/2004 Kyle
 2005/0015059 A1 1/2005 Sweeney
 2005/0033303 A1 2/2005 Chappuis
 2005/0033427 A1 2/2005 Freilich
 2005/0038438 A1 2/2005 Anderson
 2005/0055026 A1 3/2005 Biedermann
 2005/0055030 A1 3/2005 Falahee
 2005/0059972 A1 3/2005 Biscup
 2005/0065526 A1 3/2005 Drew
 2005/0070907 A1 3/2005 Abernathie
 2005/0070915 A1 3/2005 Mazzuca
 2005/0101961 A1 5/2005 Huebner
 2005/0107800 A1 5/2005 Frankel
 2005/0131408 A1 6/2005 Sicvol
 2005/0131421 A1 6/2005 Anderson
 2005/0137596 A1 6/2005 Uwaydah
 2005/0143823 A1 6/2005 Boyd
 2005/0149036 A1* 7/2005 Varieur et al. 606/86
 2005/0149053 A1 7/2005 Varieur
 2005/0187555 A1 8/2005 Biedermann
 2005/0228388 A1 10/2005 Brodke
 2005/0228400 A1 10/2005 Chao
 2005/0240188 A1 10/2005 Chow
 2006/0052794 A1 3/2006 McGill
 2006/0074421 A1 4/2006 Bickley
 2006/0079905 A1 4/2006 Beyar
 2006/0079909 A1 4/2006 Runco
 2006/0095040 A1 5/2006 Schlienger
 2006/0106390 A1 5/2006 Jensen
 2006/0149258 A1 7/2006 Sousa
 2006/0149260 A1 7/2006 Lin
 2006/0149263 A1 7/2006 Newcomb
 2006/0235410 A1 10/2006 Ralph
 2006/0264967 A1 11/2006 Ferreyro
 2006/0271047 A1 11/2006 Jackson
 2006/0271054 A1 11/2006 Sucec
 2006/0293692 A1 12/2006 Whipple
 2007/0027230 A1 2/2007 Beyar
 2007/0032567 A1 2/2007 Beyar
 2007/0053765 A1 3/2007 Warnick
 2007/0066987 A1 3/2007 Scanlan
 2007/0093818 A1 4/2007 Biedermann
 2007/0161985 A1 7/2007 Demakas
 2007/0233122 A1 10/2007 Denis
 2007/0233260 A1 10/2007 Cragg
 2007/0248054 A1 10/2007 Chen
 2007/0260261 A1 11/2007 Runco
 2007/0299450 A1* 12/2007 Her et al. 606/73
 2008/0020344 A1 1/2008 Hansson
 2008/0045956 A1 2/2008 Songer
 2008/0065083 A1 3/2008 Truckai
 2008/0132956 A1 6/2008 Biedermann
 2008/0132957 A1 6/2008 Matthis
 2008/0140132 A1 6/2008 Perez-Cruet
 2008/0140136 A1 6/2008 Jackson
 2008/0147128 A1* 6/2008 Fritzinger 606/304
 2008/0154314 A1 6/2008 McDevitt
 2008/0154315 A1 6/2008 Jackson
 2008/0161864 A1 7/2008 Beck

2008/0177331 A1 7/2008 Perez-Cruet
 2008/0177335 A1 7/2008 Melkent
 2008/0188898 A1 8/2008 Jackson
 2008/0200915 A1 8/2008 Globerman
 2008/0212405 A1 9/2008 Globerman
 2008/0221623 A1 9/2008 Gooch
 2008/0221624 A1 9/2008 Gooch
 2008/0228192 A1 9/2008 Beyar
 2008/0234744 A1 9/2008 Zylber
 2008/0234756 A1 9/2008 Sutcliffe
 2008/0234761 A1 9/2008 Jackson
 2008/0249530 A1 10/2008 Truckai
 2008/0287994 A1 11/2008 Perez-Cruet
 2008/0300639 A1 12/2008 Martin
 2009/0062868 A1 3/2009 Casutt
 2009/0131867 A1 5/2009 Liu
 2009/0138044 A1 5/2009 Bergeron et al.
 2009/0163956 A1 6/2009 Biedermann
 2009/0198291 A1 8/2009 Foley
 2009/0248088 A1 10/2009 Biedermann
 2009/0264892 A1 10/2009 Beyar
 2009/0264895 A1* 10/2009 Gasperut A61B 17/7082
 606/104
 2009/0264942 A1 10/2009 Beyar
 2010/0004692 A1 1/2010 Biedermann
 2010/0023017 A1 1/2010 Beyar
 2010/0030135 A1 2/2010 Mitchell
 2010/0076503 A1 3/2010 Beyar
 2010/0094352 A1 4/2010 Iott
 2010/0114174 A1 5/2010 Jones
 2010/0137918 A1 6/2010 Wilcox
 2010/0152785 A1 6/2010 Forton
 2010/0234904 A1 9/2010 Richelsoph
 2010/0256681 A1 10/2010 Hammer
 2010/0274295 A1 10/2010 Carls
 2010/0318136 A1 12/2010 Jackson
 2011/0093021 A1 4/2011 Fanger
 2011/0125199 A1 5/2011 Griffin
 2011/0125265 A1 5/2011 Bagga
 2011/0137355 A1 6/2011 Rinner
 2011/0152948 A1 6/2011 Crook
 2011/0257690 A1 10/2011 Rezach
 2011/0288599 A1 11/2011 Michielli
 2012/0130433 A1 5/2012 Huebner
 2012/0226285 A1 9/2012 Beyar
 2013/0053901 A1 2/2013 Cormier
 2013/0085536 A1 4/2013 Biedermann
 2013/0204263 A1 8/2013 Jones
 2013/0211468 A1 8/2013 Huebner
 2014/0148866 A1 5/2014 Globerman
 2014/0257410 A1* 9/2014 Biedermann A61B 17/7037
 606/304

FOREIGN PATENT DOCUMENTS

EP 716832 11/1995
 EP 0716832 6/1996
 EP 0716832 A1 6/1996
 EP 1405607 4/2004
 EP 1430846 6/2004
 EP 1491156 12/2004
 EP 1430846 5/2005
 EP 1430846 B1 8/2006
 EP 1769777 4/2007
 EP 1769777 A1 4/2007
 EP 1491156 12/2008
 EP 1491156 B1 12/2008
 EP 1991145 9/2010
 EP 1991145 B1 9/2010
 EP 1405607 10/2013
 EP 1405607 B1 10/2013
 FR 2 820 630 A1 8/2002
 FR 2820630 8/2002
 JP 07-222752 A 8/1995
 JP 7222752 8/1995
 JP 2004-208790 A 7/2004
 JP 2004-208790 7/2007

(56)

References Cited

FOREIGN PATENT DOCUMENTS

WO	98/48738	A1	11/1998
WO	WO 9848738		11/1998
WO	01/26568	A1	4/2001
WO	2004032774	A1	4/2004
WO	WO 2004032774		4/2004
WO	2004100808	A1	11/2004
WO	WO 2004100808		11/2004
WO	2005/058141	A2	6/2005
WO	WO 2005058141		6/2005
WO	2005/087120	A1	9/2005
WO	WO 2005087120		9/2005
WO	2006/070961	A2	7/2006
WO	WO 2006070961		7/2006
WO	2007/036815	A2	4/2007
WO	WO 2007036815		4/2007
WO	2007/122608	A2	11/2007
WO	WO 2007122608		11/2007
WO	2008/124533	A1	10/2008
WO	WO 2008124533		10/2008
WO	2009/015100	A2	1/2009
WO	WO 2009015100		1/2009
WO	2010/051386	A1	5/2010

OTHER PUBLICATIONS

Notice of Opposition to EP Patent No. 2745789, EP Application No. 14157828.6, filed Jan. 19, 2018, by Medacta International SA (25 pages).

Summons to Oral Proceedings and Preliminary Opinion of EP re: Opposition proceedings in EP Application No. 14157828.6, dated Oct. 16, 2018 (6 pages).

U.S. Appl. No. 61/109,661, filed Oct. 30, 2008 (37 pages).

[No Author Listed] "Implants for Surgery—Acrylic Resin Cements", ISO 5833, 2002 (11 pages).

Brief Communication—Letter from the Opponent to EP Patent No. 2745789, EP Application No. 14157828.6, dated Sep. 6, 2019 (20 pages).

He, Z et al., "Bone cements for percutaneous vertebroplasty and balloon kyphoplasty: Current status and future developments," Journal of Orthopaedic Translation, vol. 3, pp. 1-11, 2015 (11 pages).

U.S. Appl. No. 12/608,333, filed Oct. 29, 2009, Systems and Methods for Delivering Bone Cement to a Bone Anchor.

U.S. Appl. No. 13/832,054, filed Mar. 15, 2013, Systems and Methods for Delivering Bone Cement to a Bone Anchor.

Confidence Spinal Cement System Brochure, 2008, 6 pages.

Confidence Surgical Technique Guide Spinal Cement System.

* cited by examiner

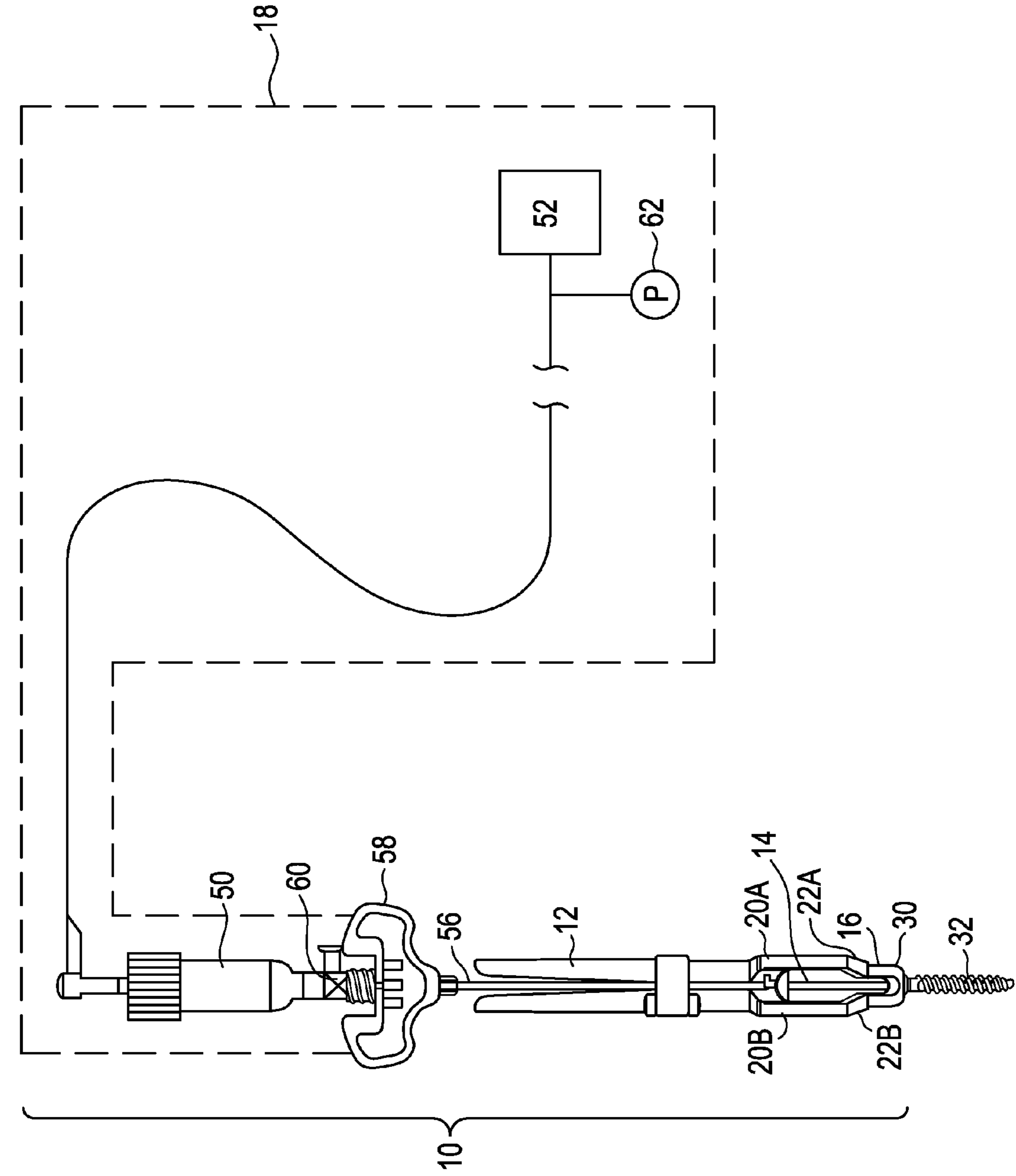


FIG. 1

FIG. 2

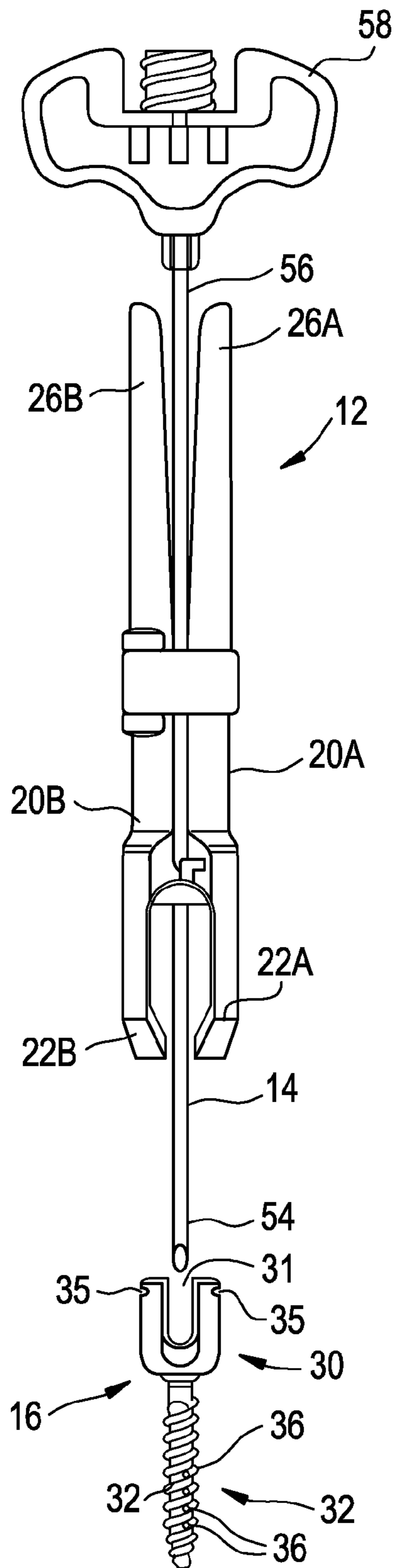


FIG. 3

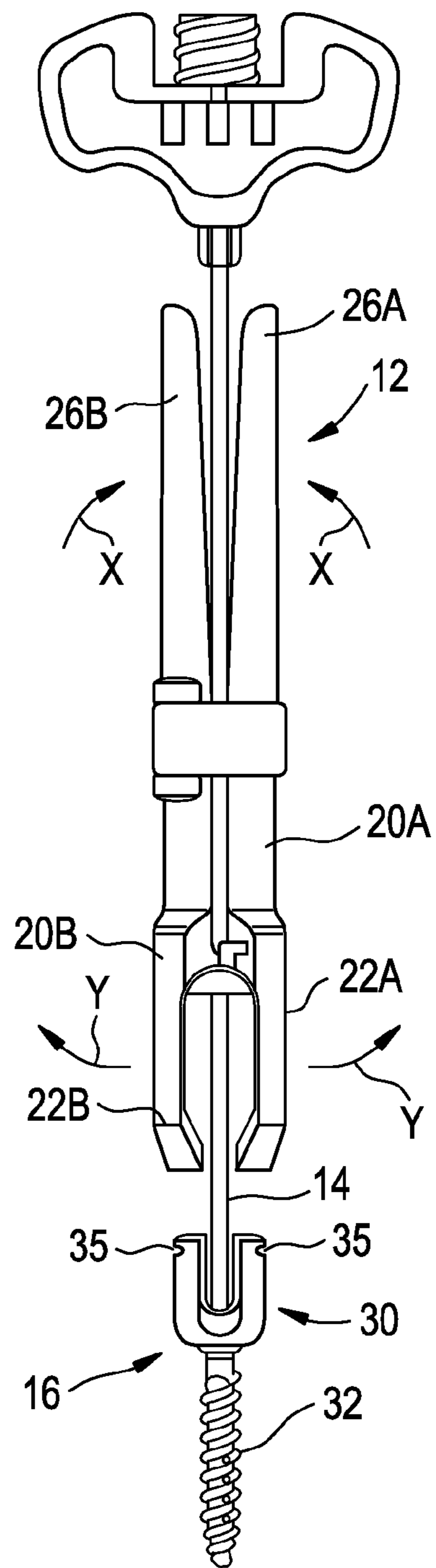


FIG. 4

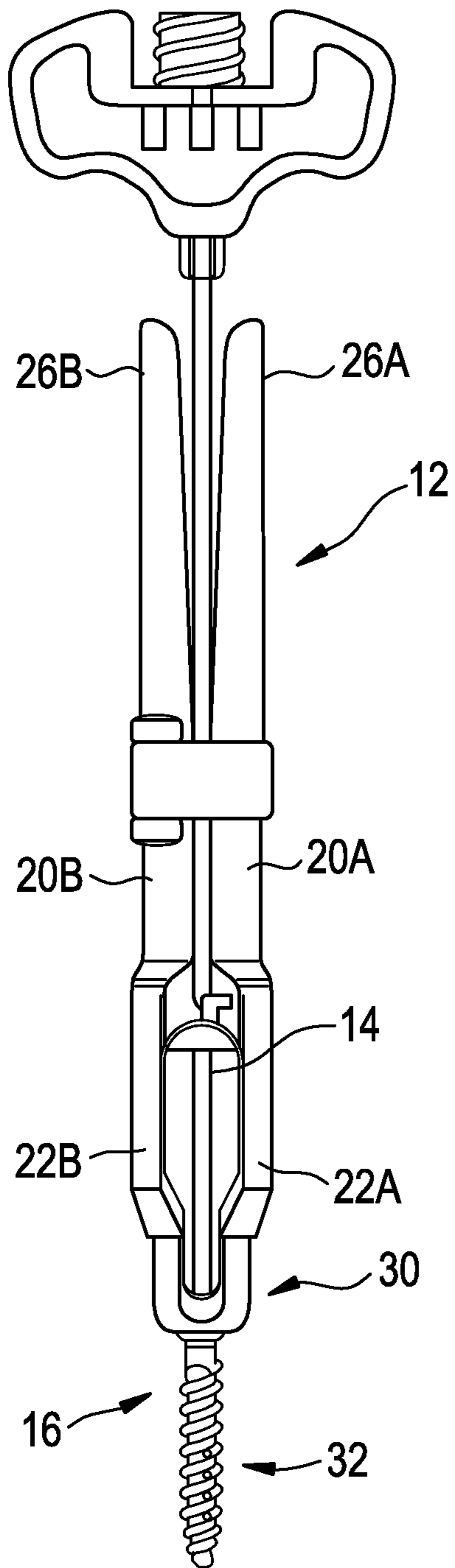


FIG. 5

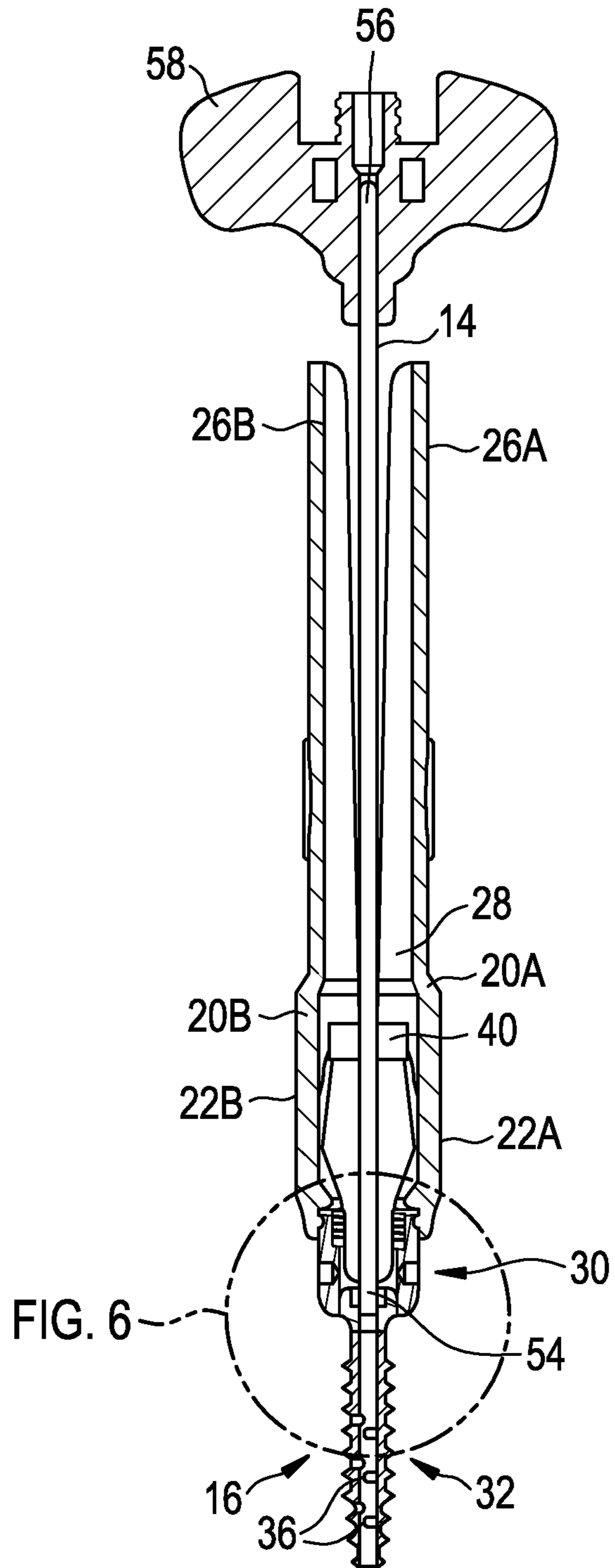


FIG. 6

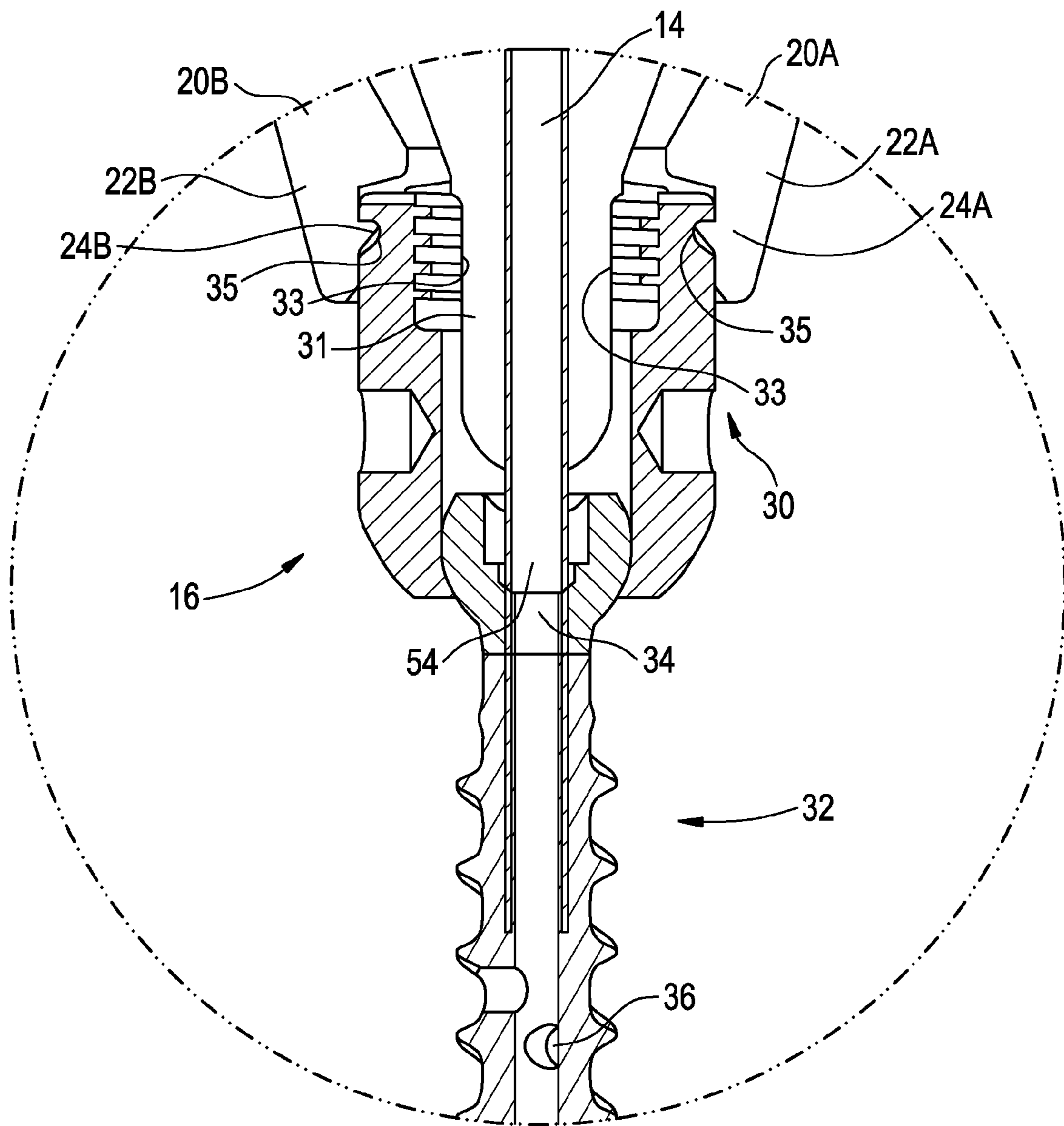


FIG. 7A

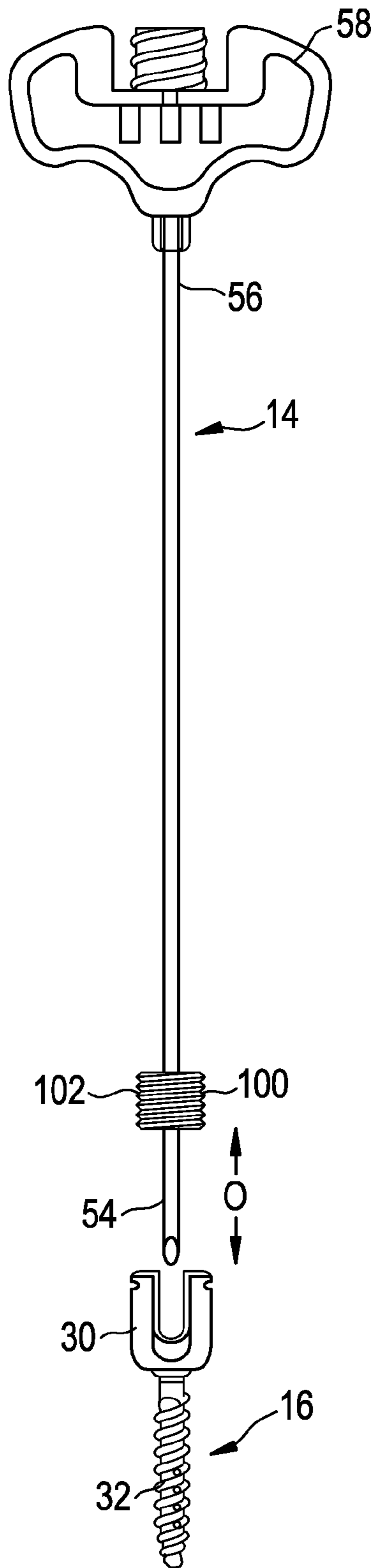


FIG. 7B

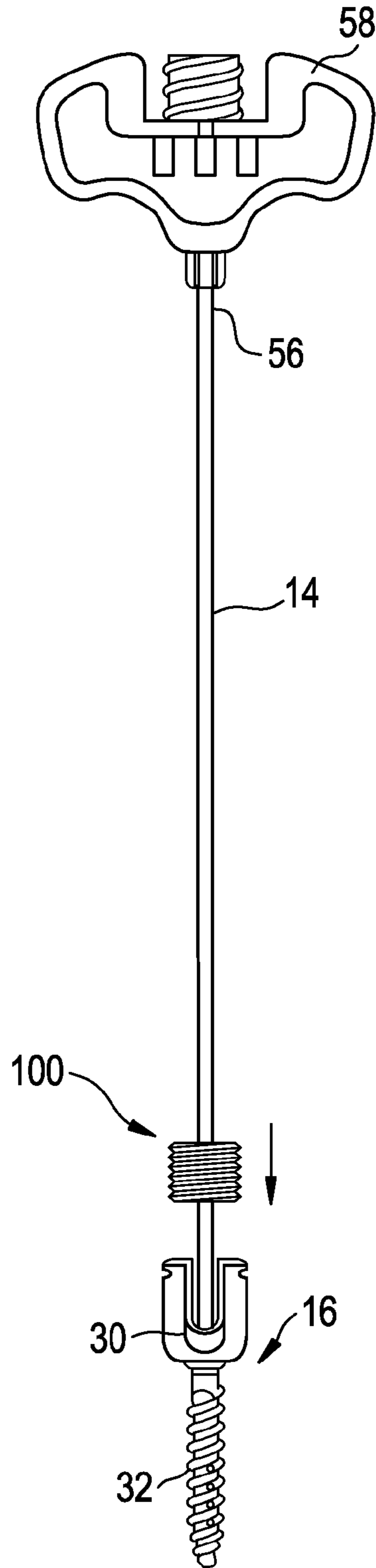


FIG. 7C

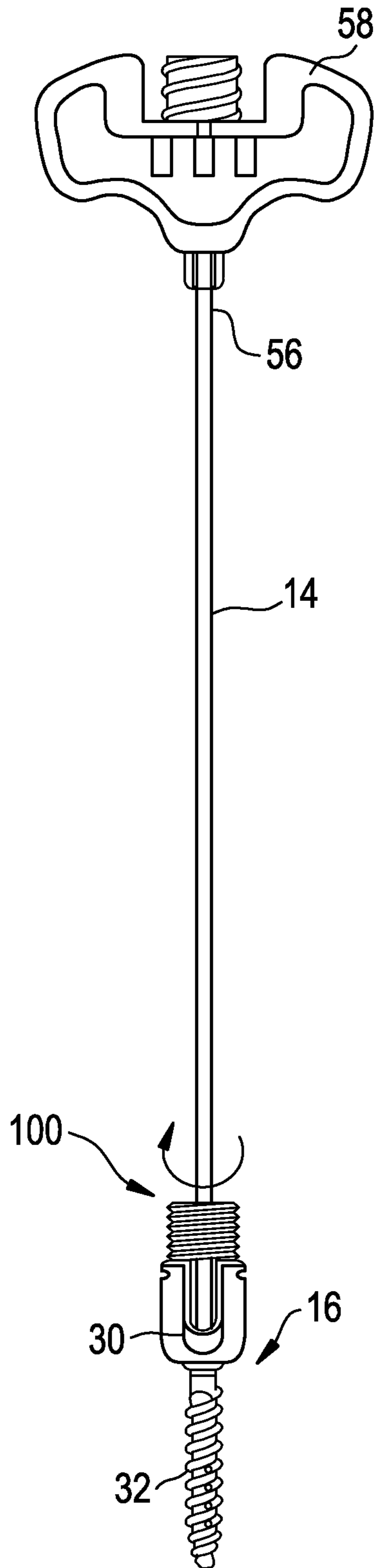


FIG. 7D

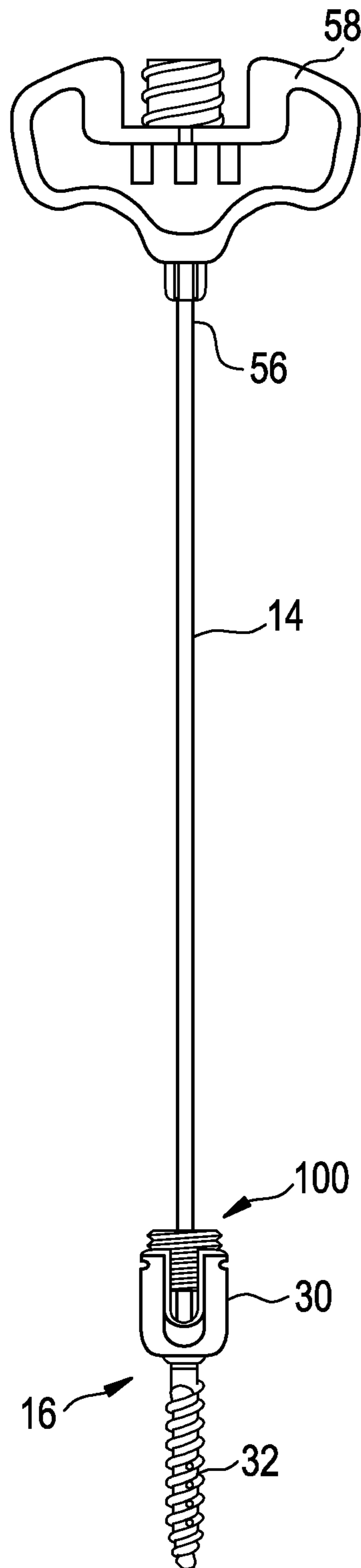


FIG. 8A

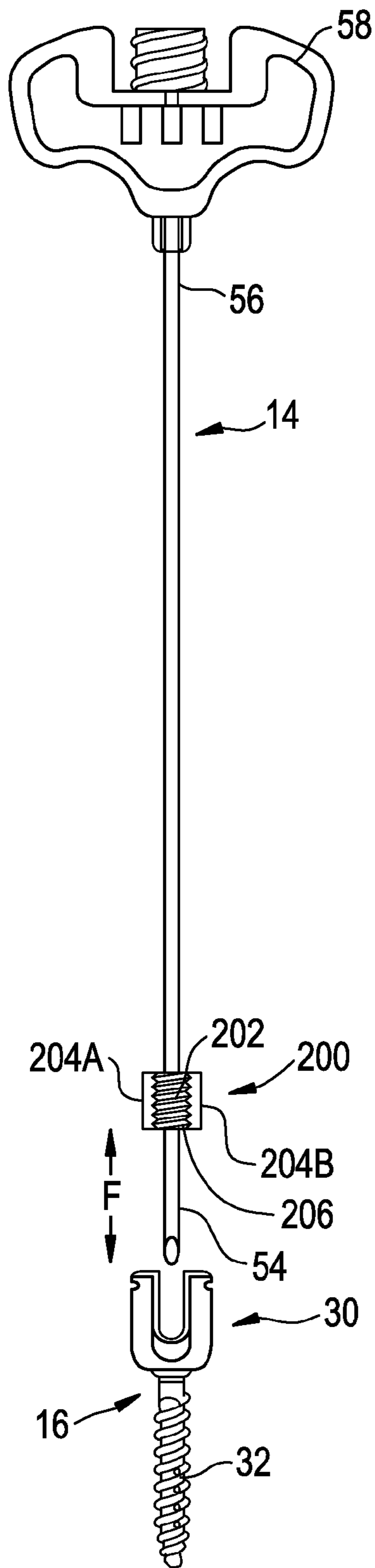


FIG. 8B

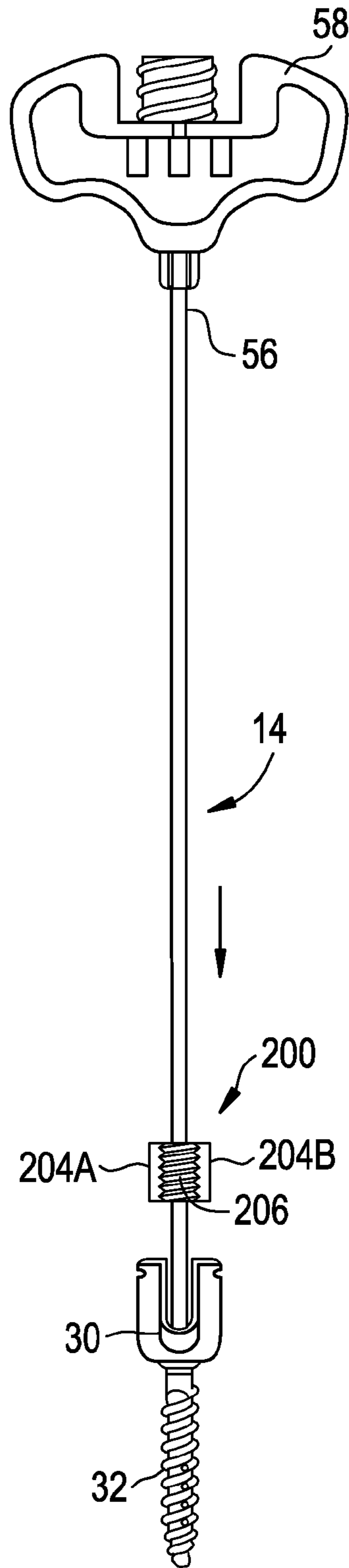


FIG. 8C

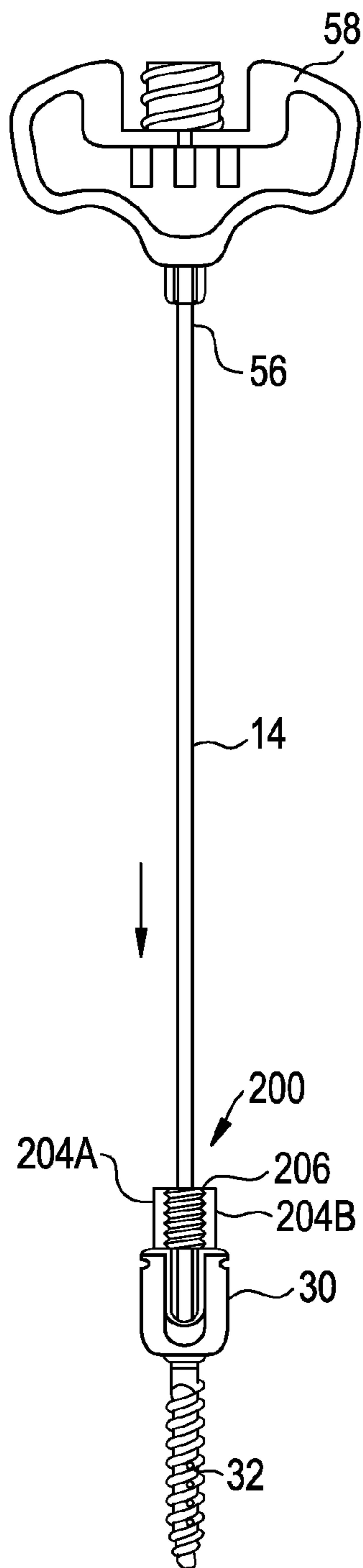


FIG. 8D

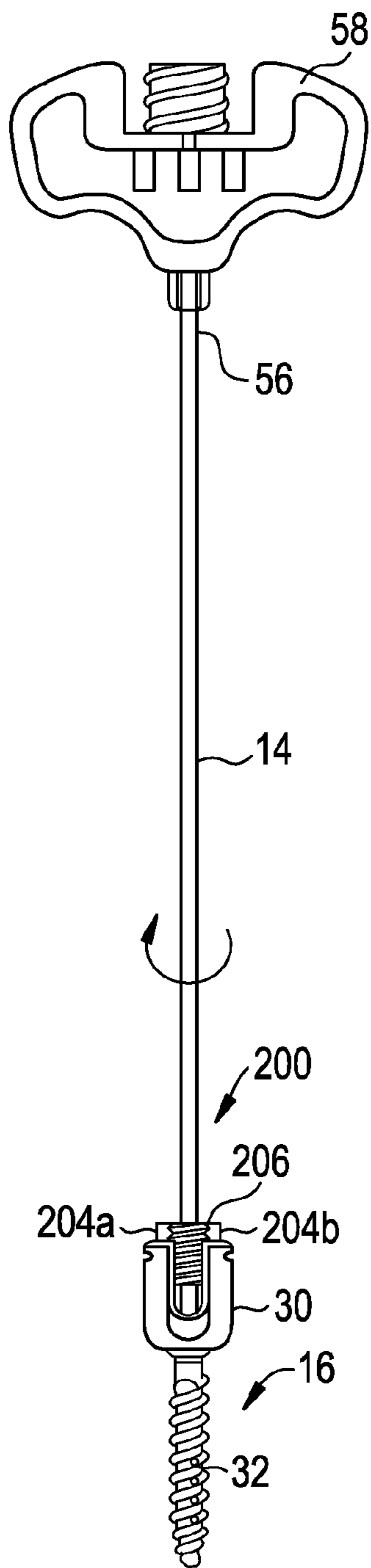


FIG. 8E

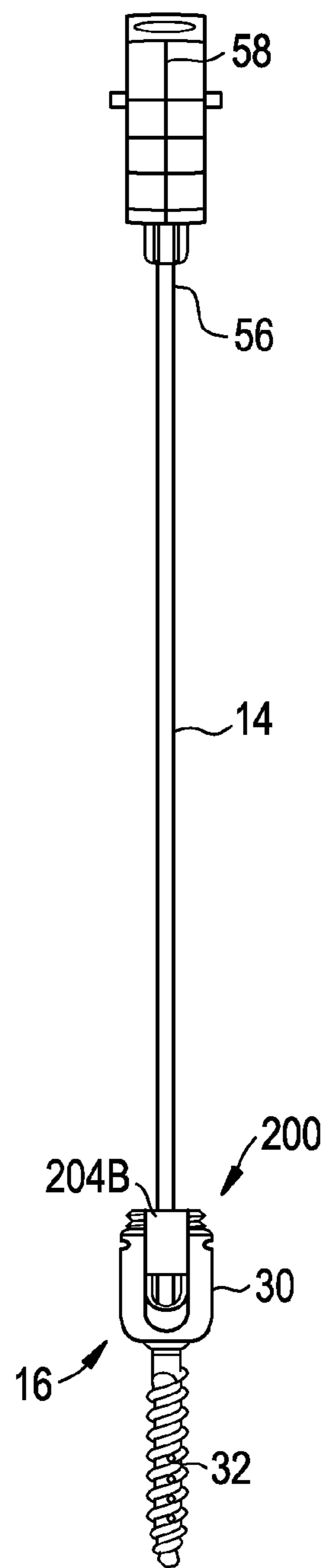


FIG. 9

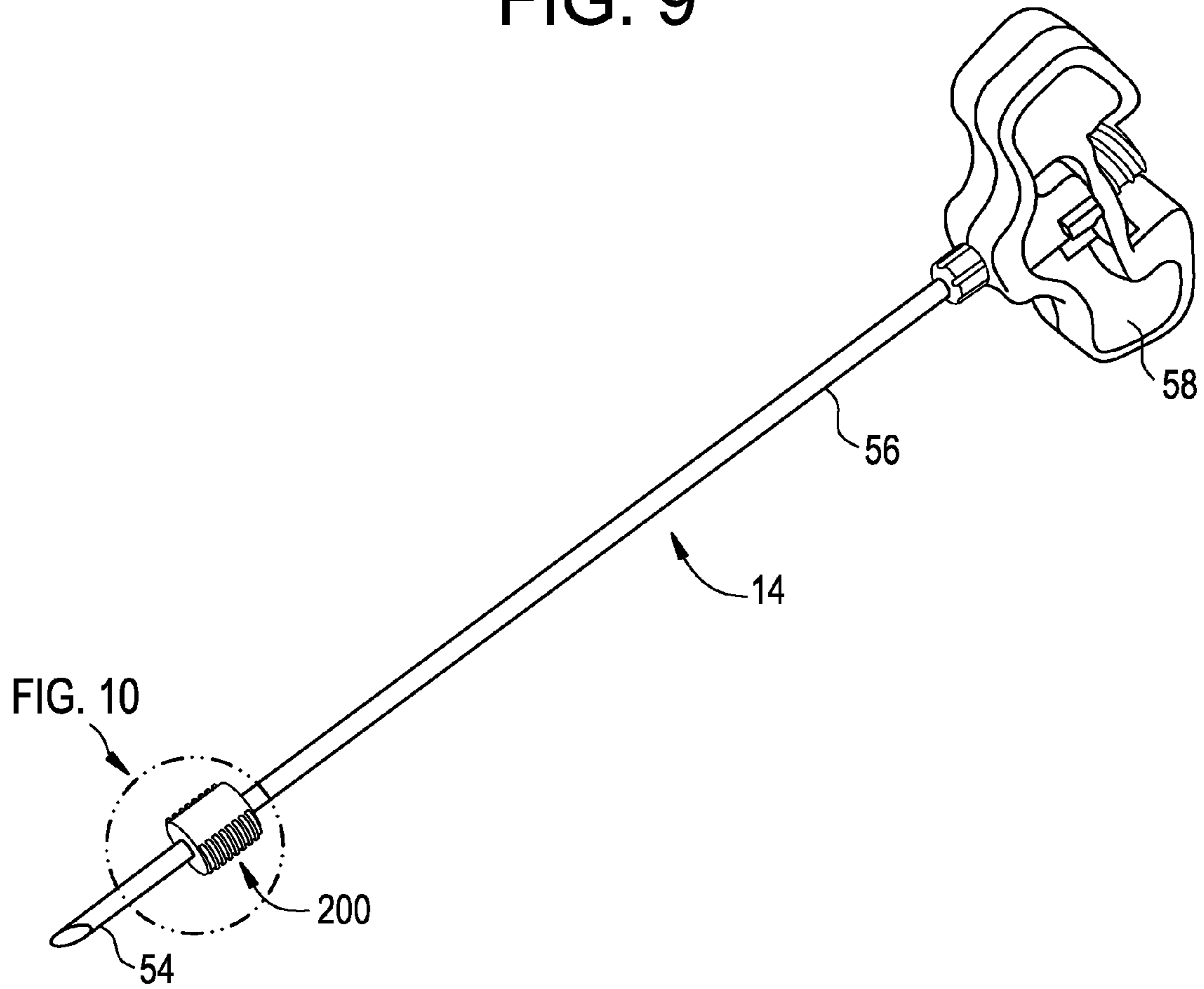


FIG. 10

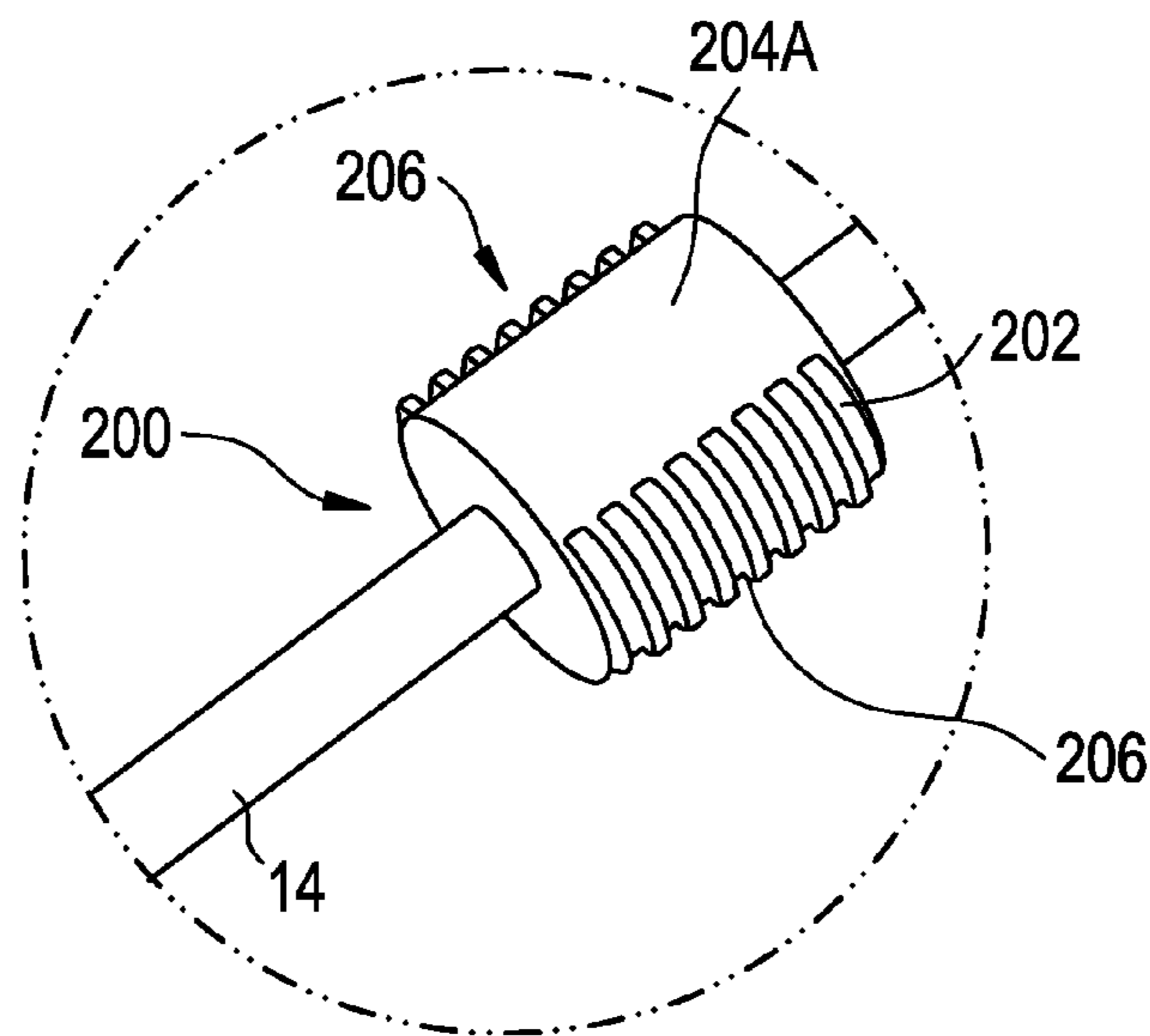


FIG. 11A

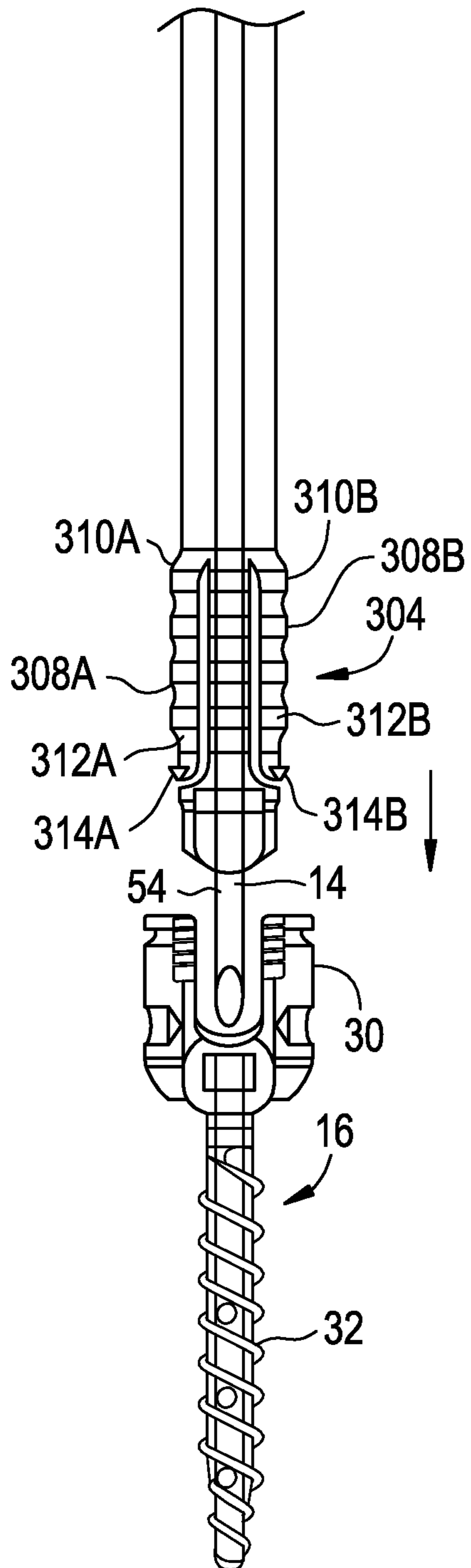


FIG. 11B

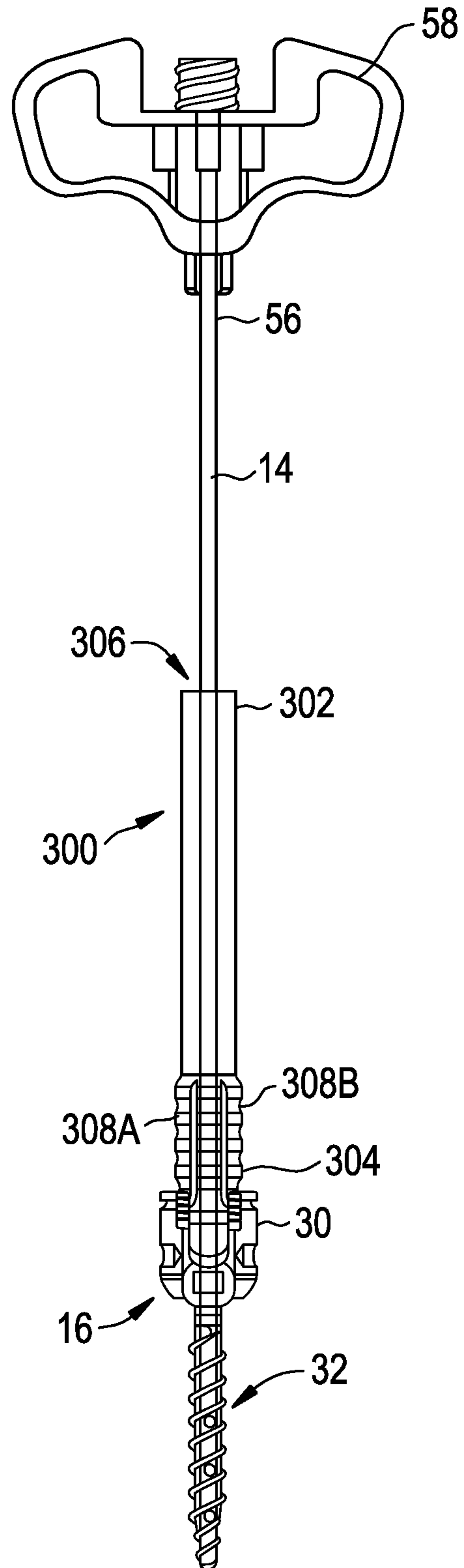


FIG. 12A

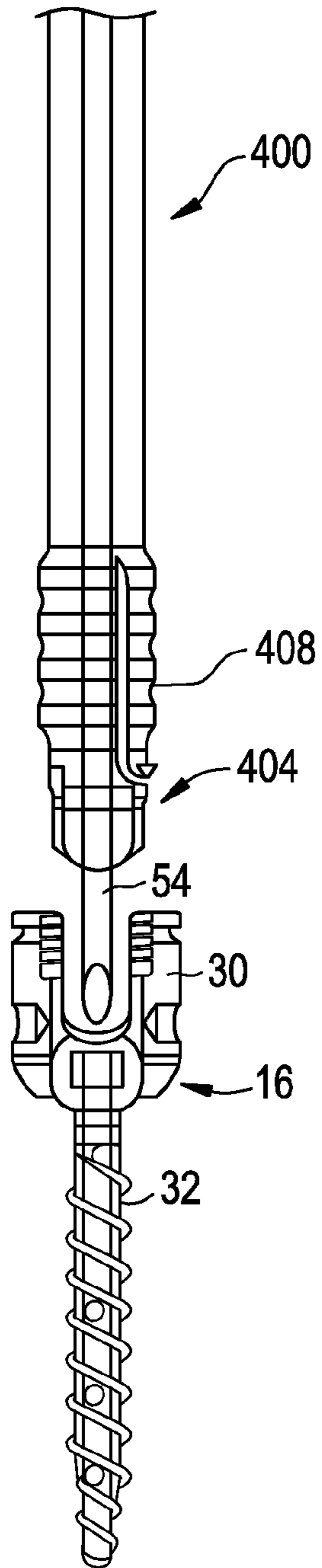


FIG. 12B

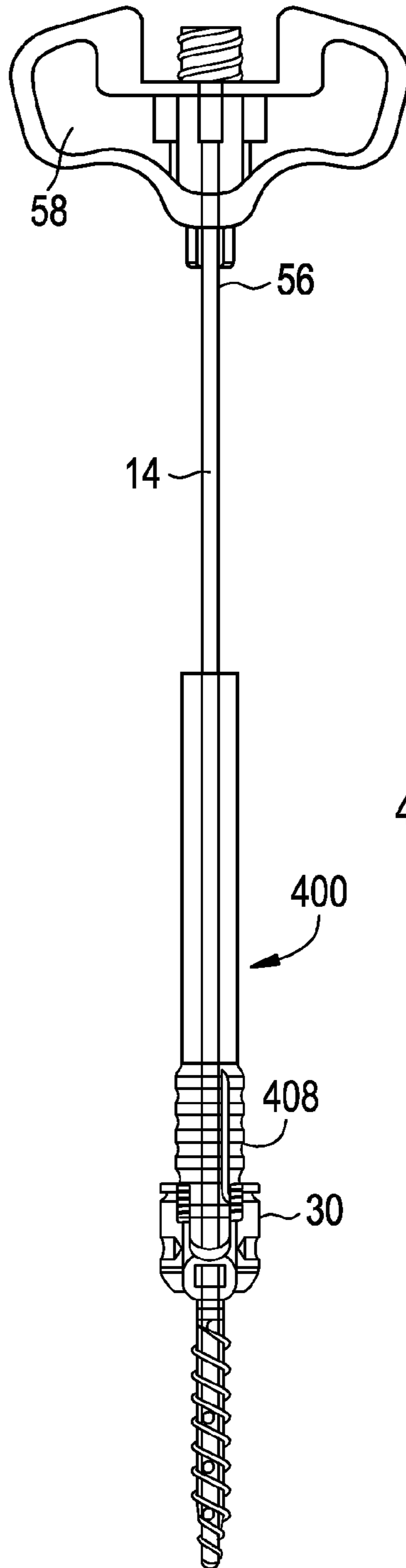


FIG. 12C

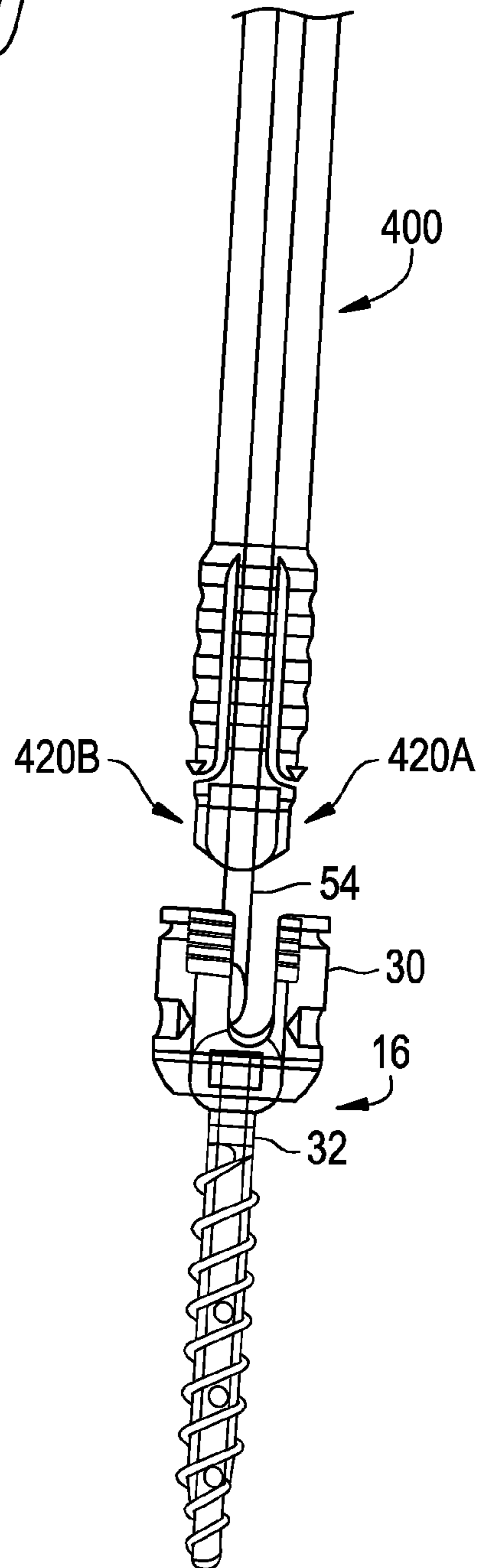


FIG. 13A

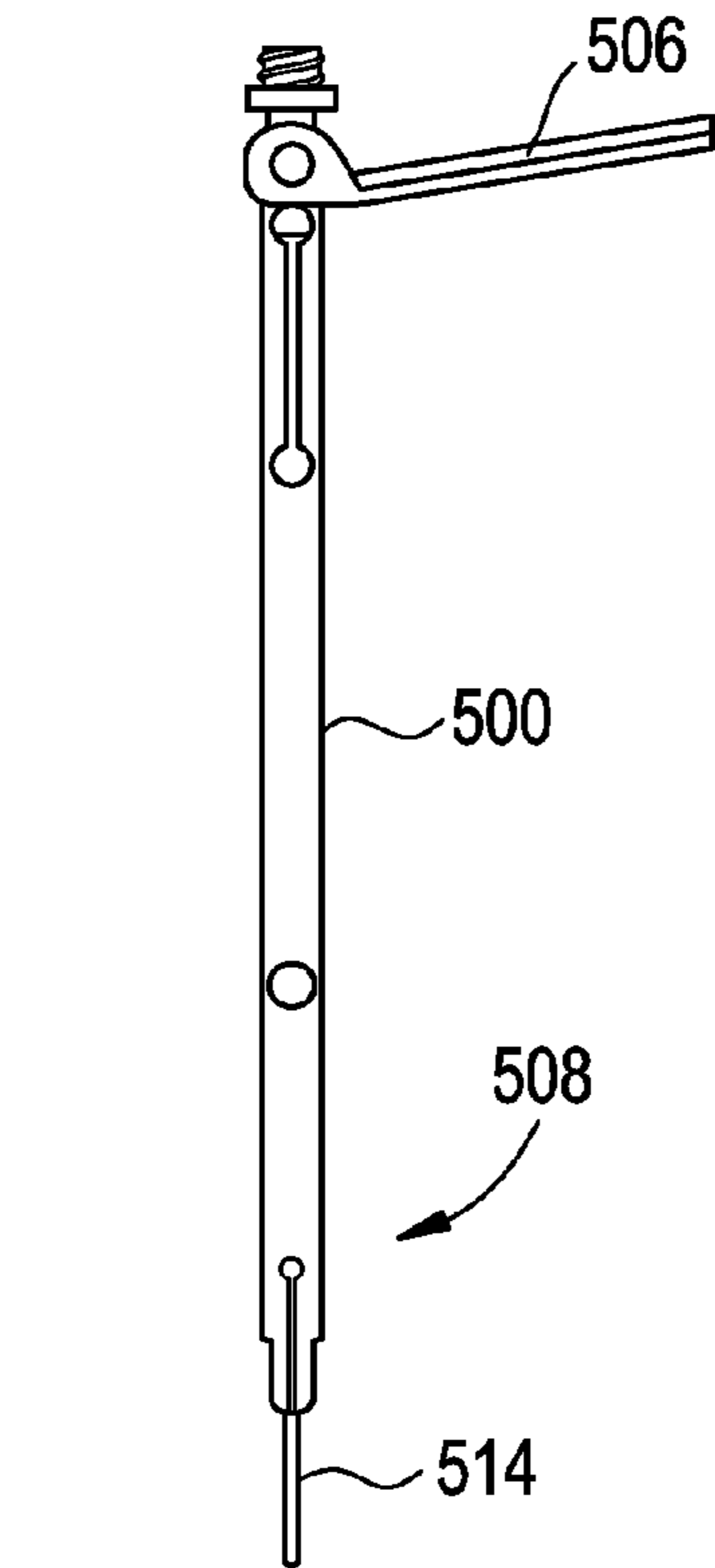


FIG. 13B

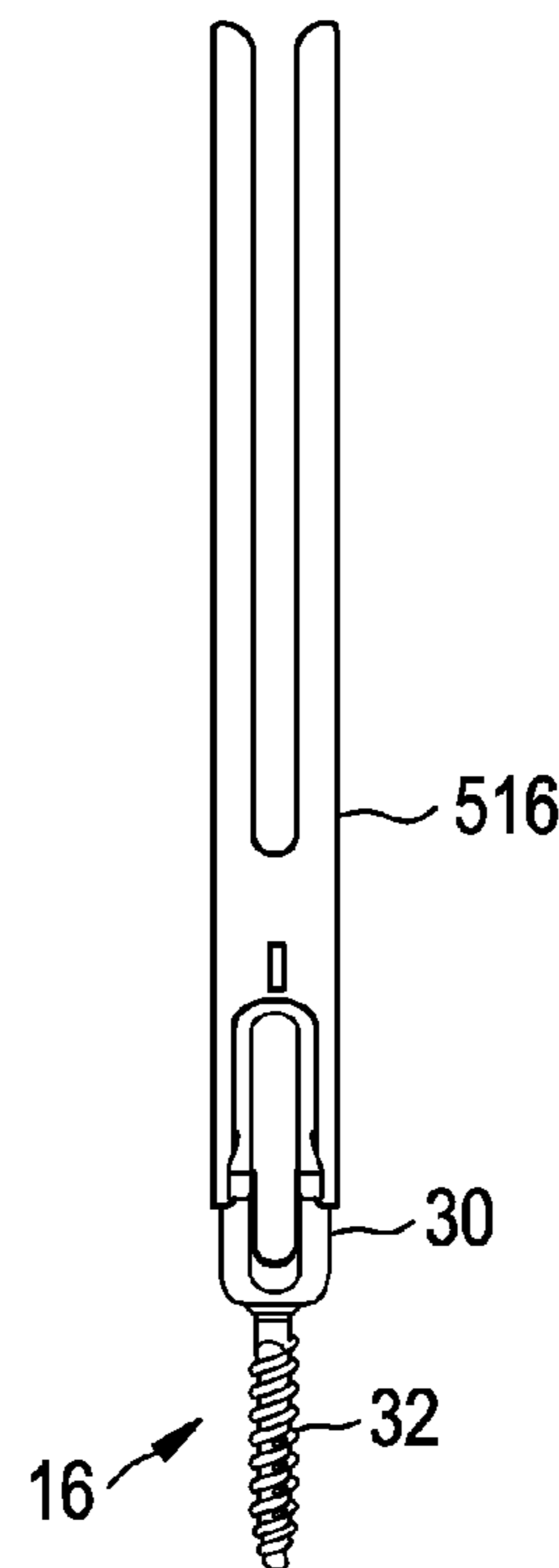
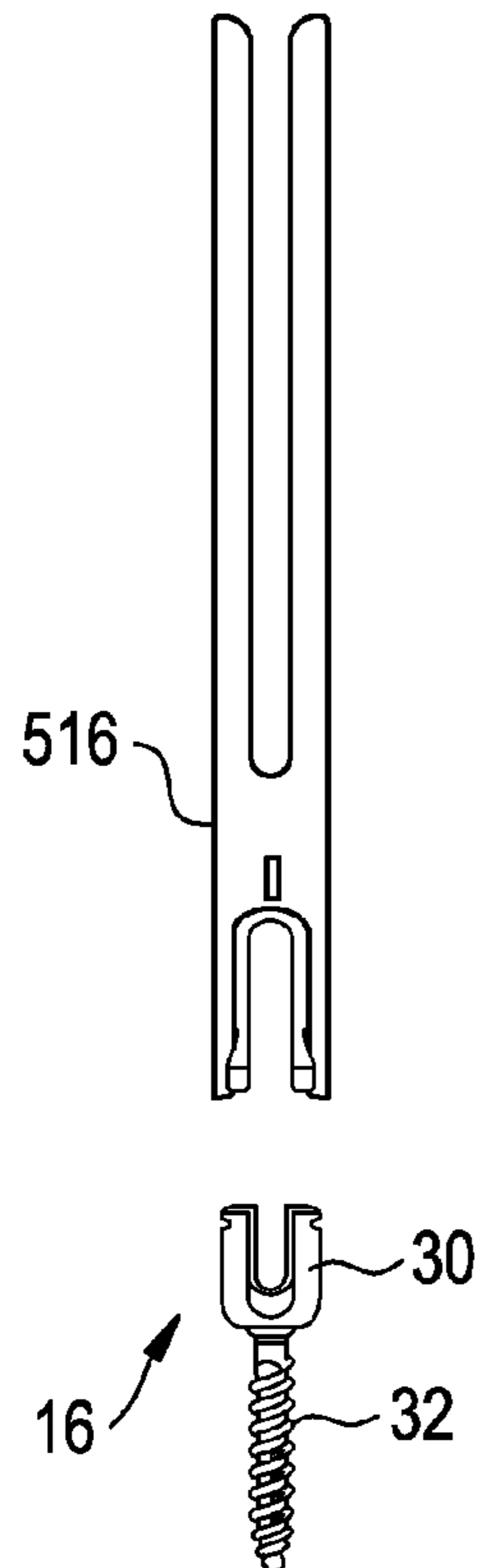
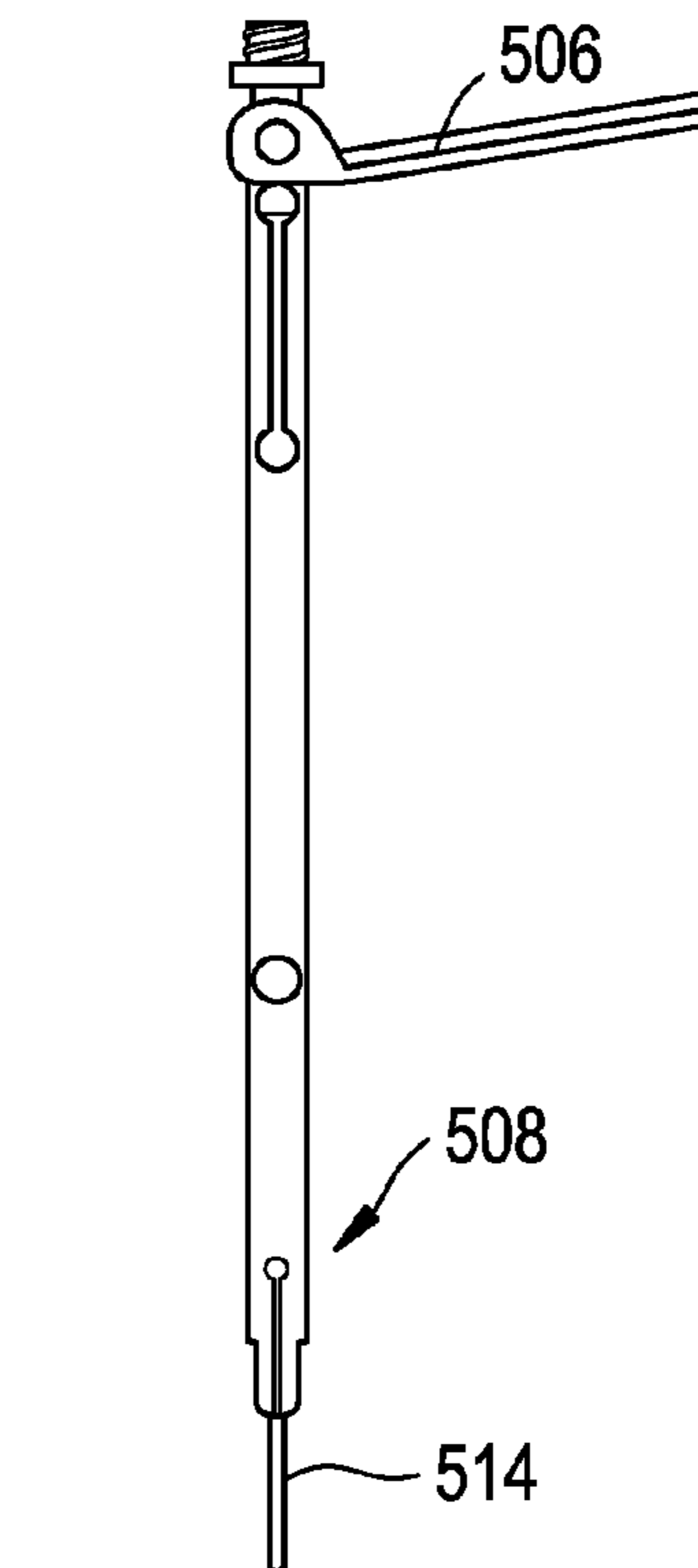


FIG. 13C

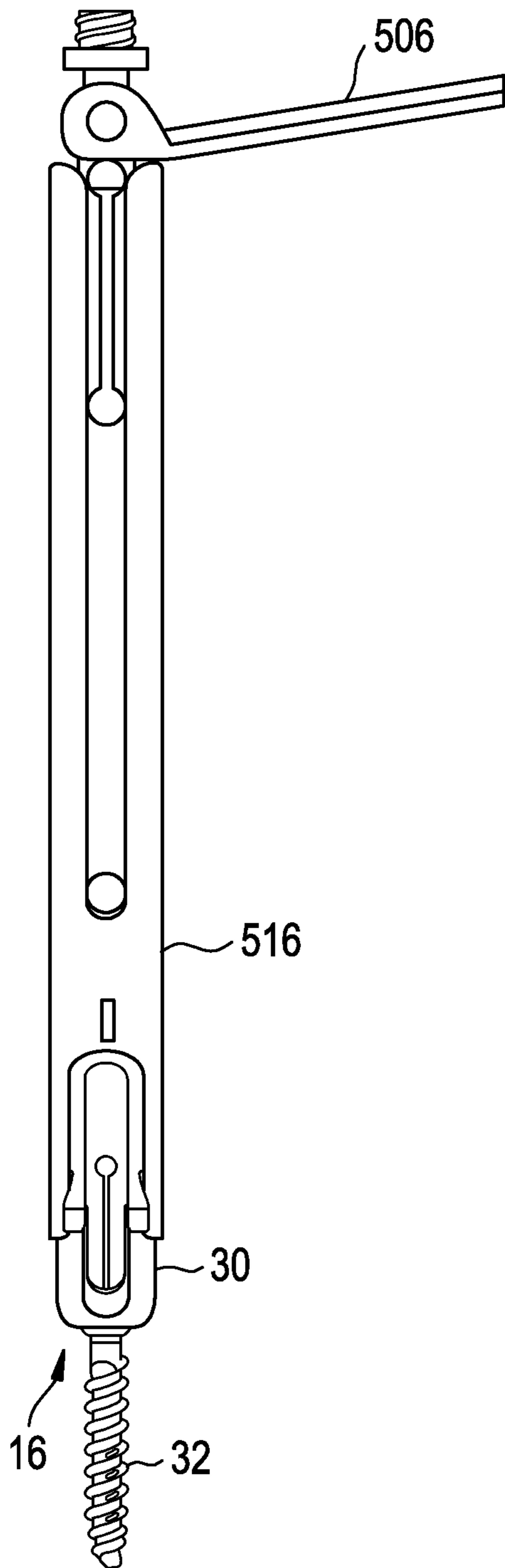


FIG. 13D

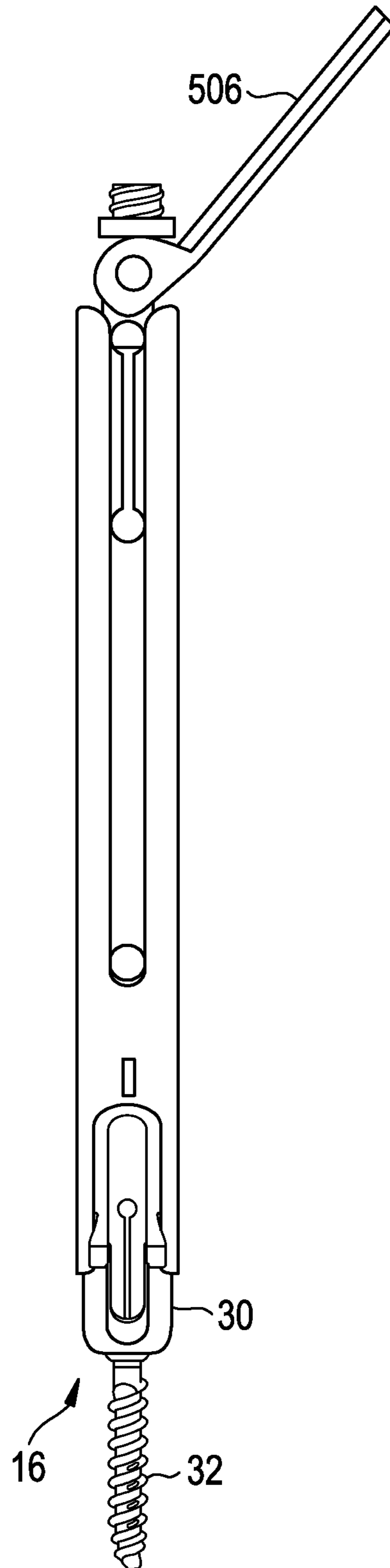


FIG. 13E

FIG. 14

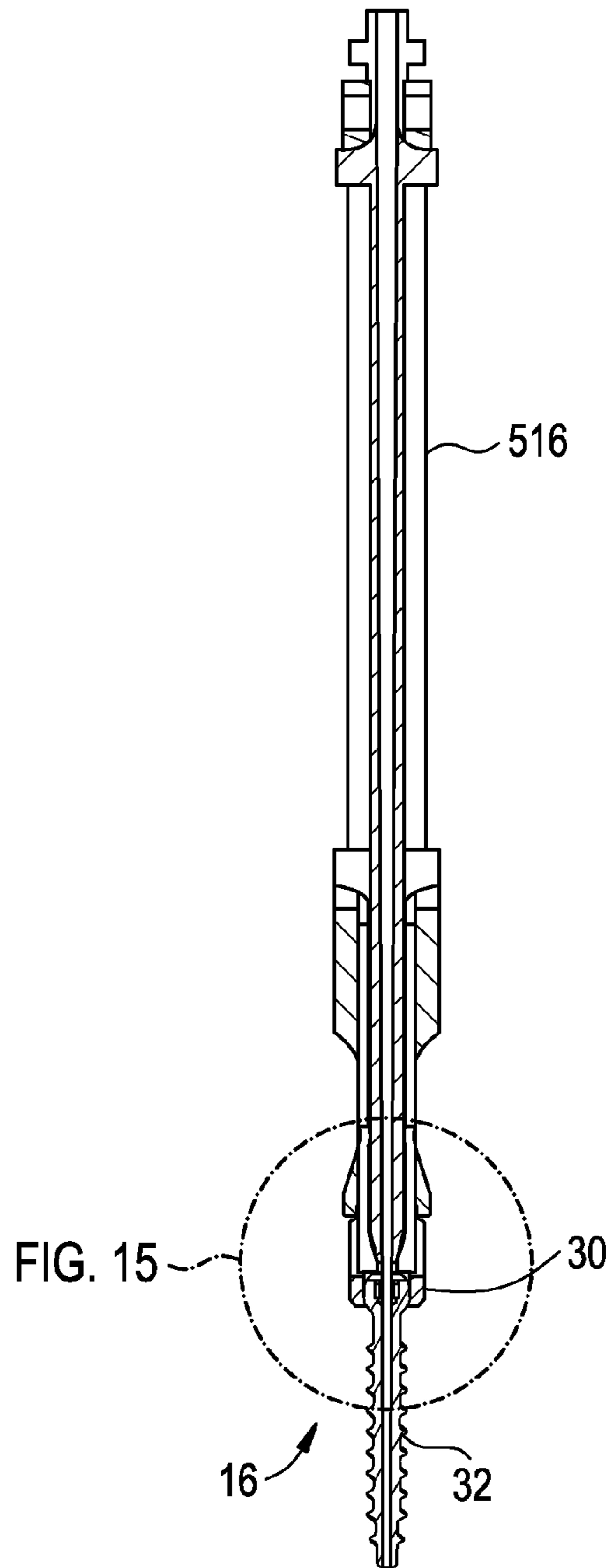
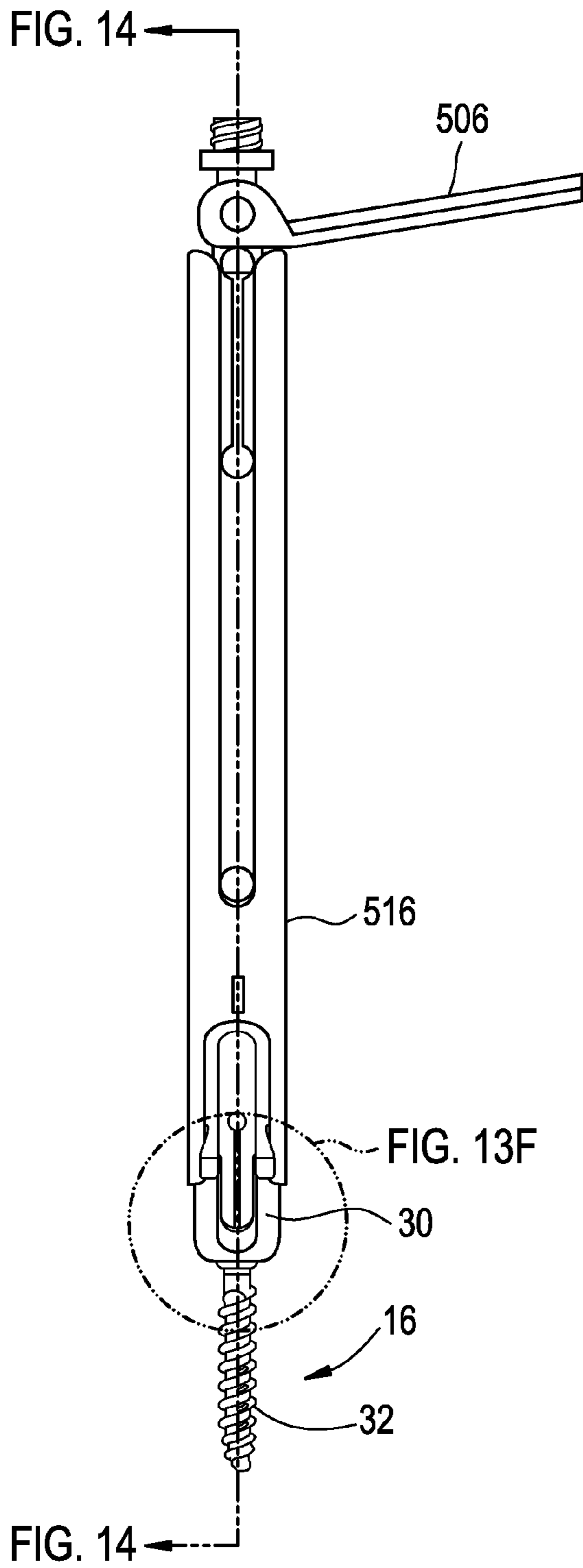


FIG. 13F

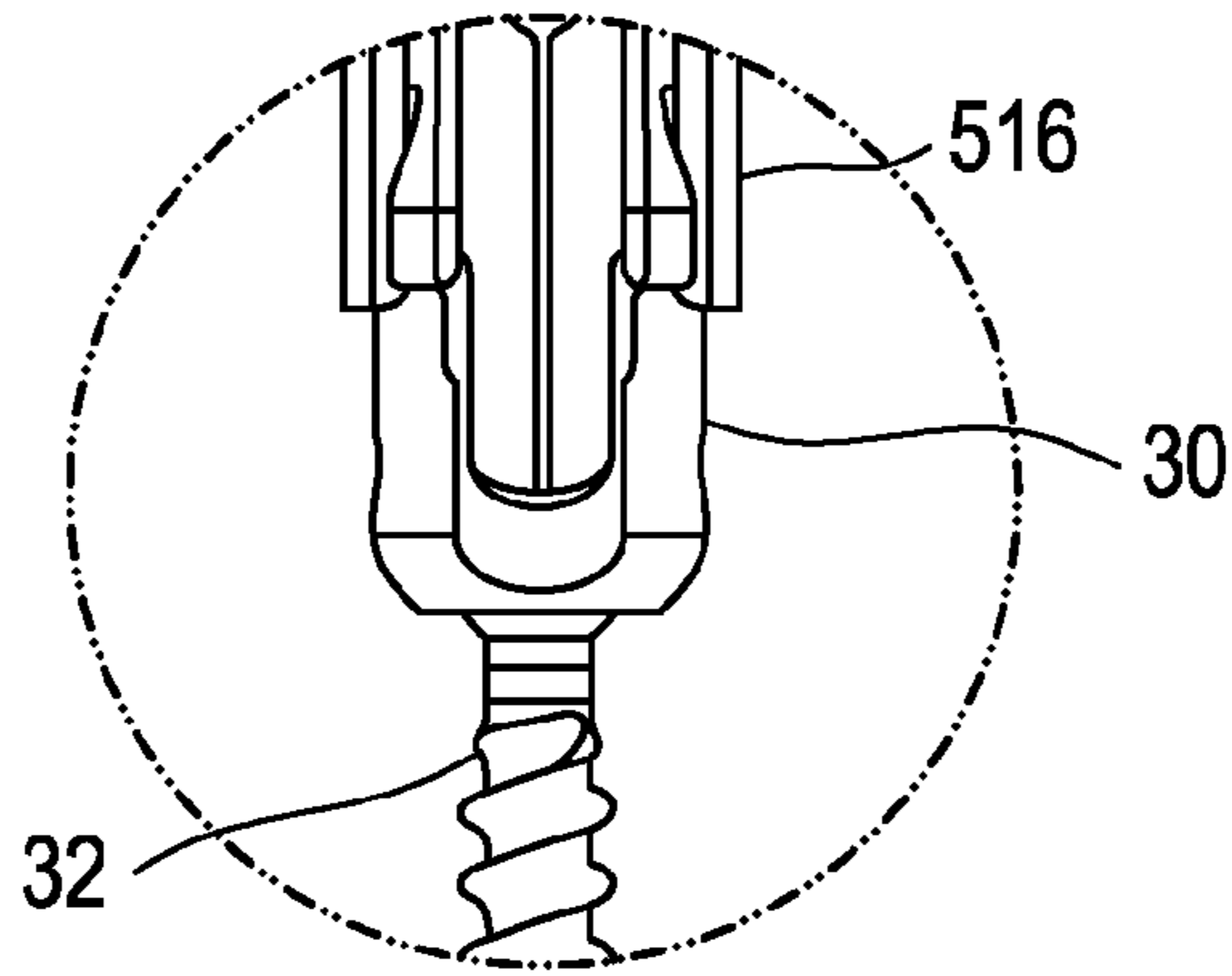


FIG. 15

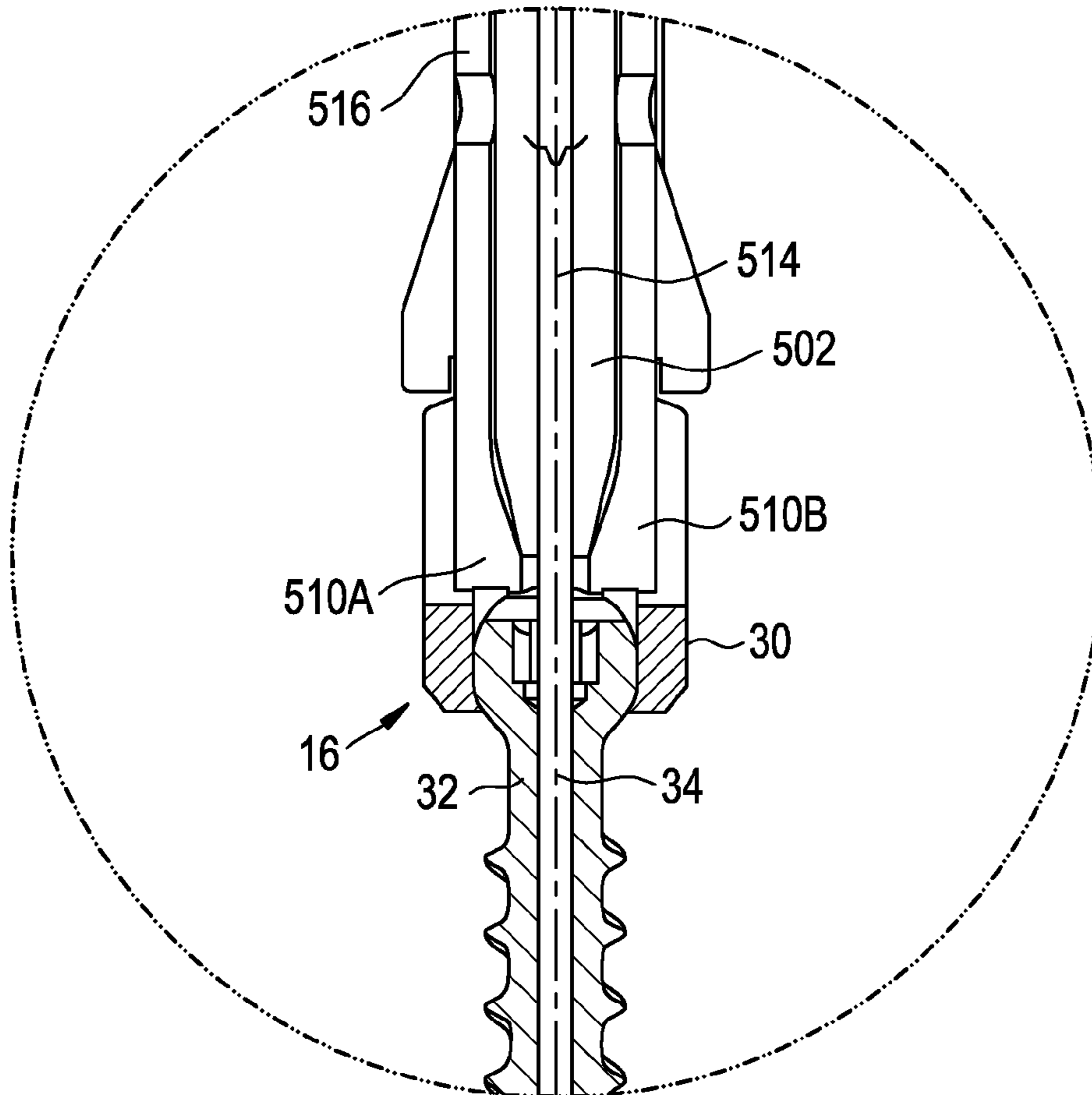


FIG. 16A

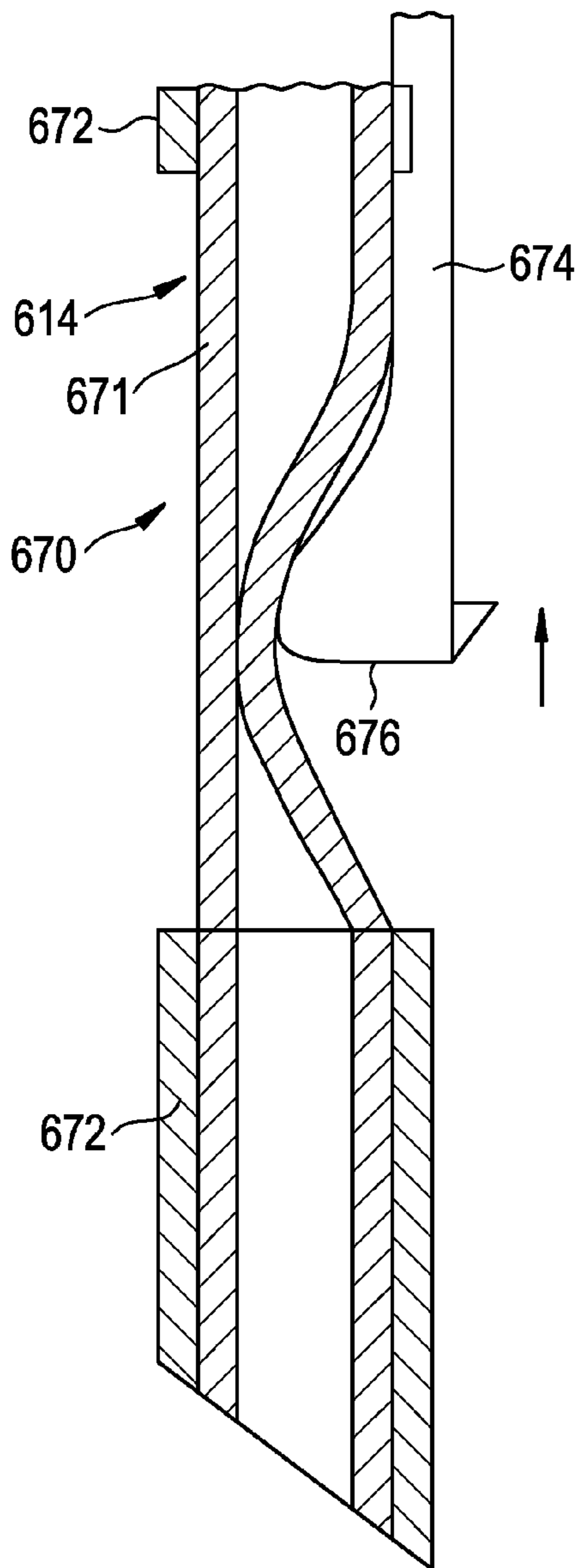


FIG. 16B

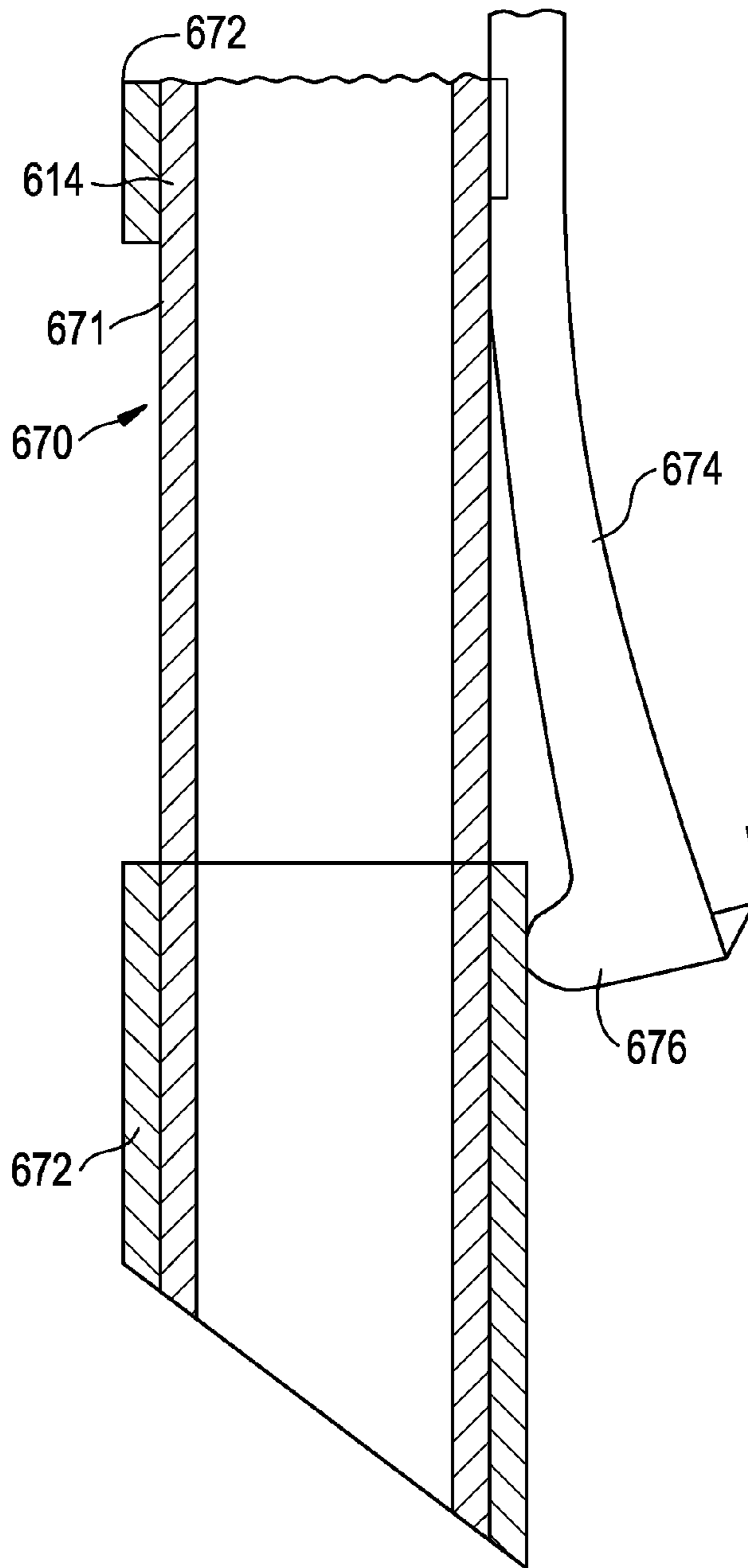


FIG. 17A

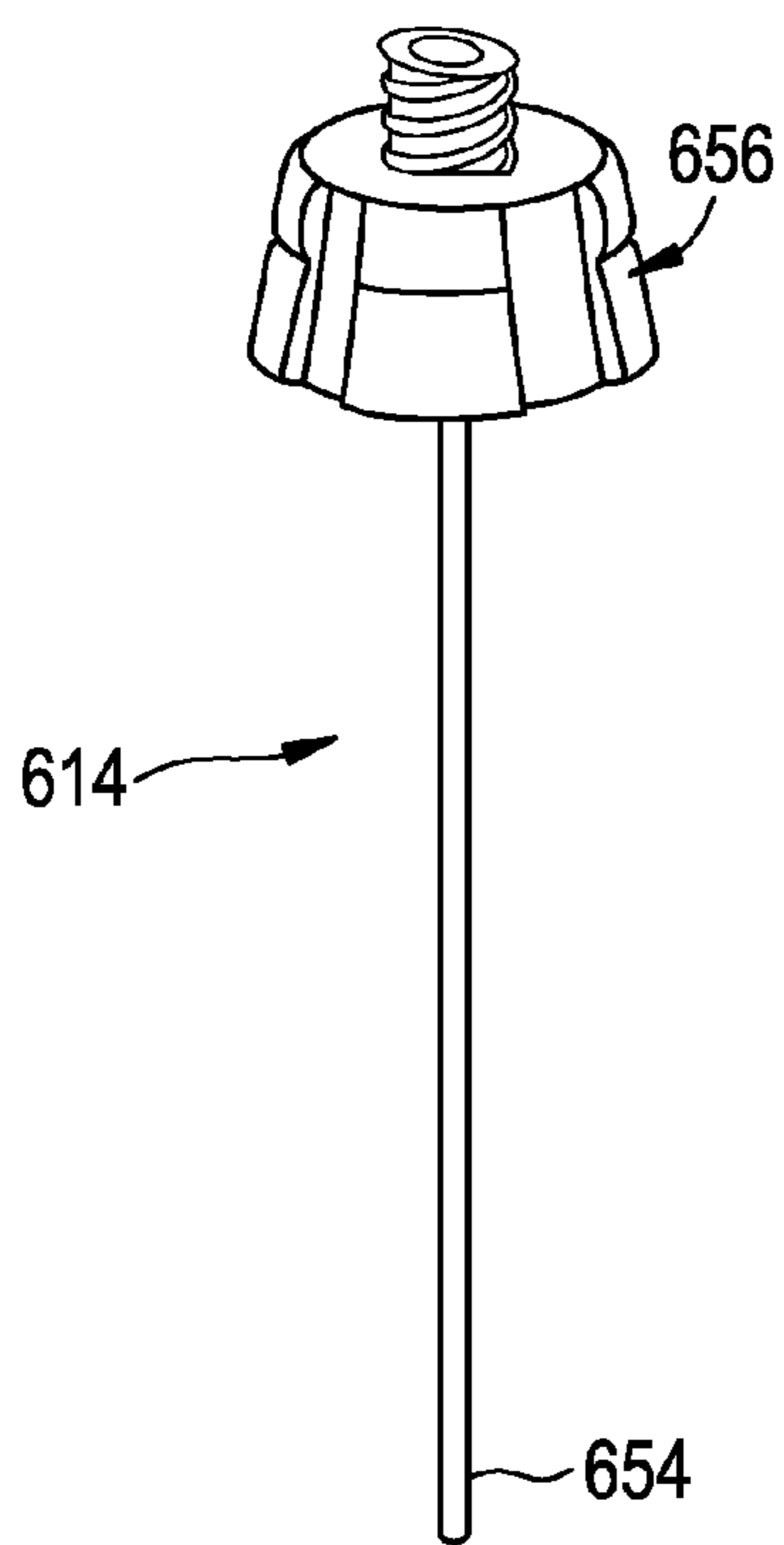


FIG. 17B

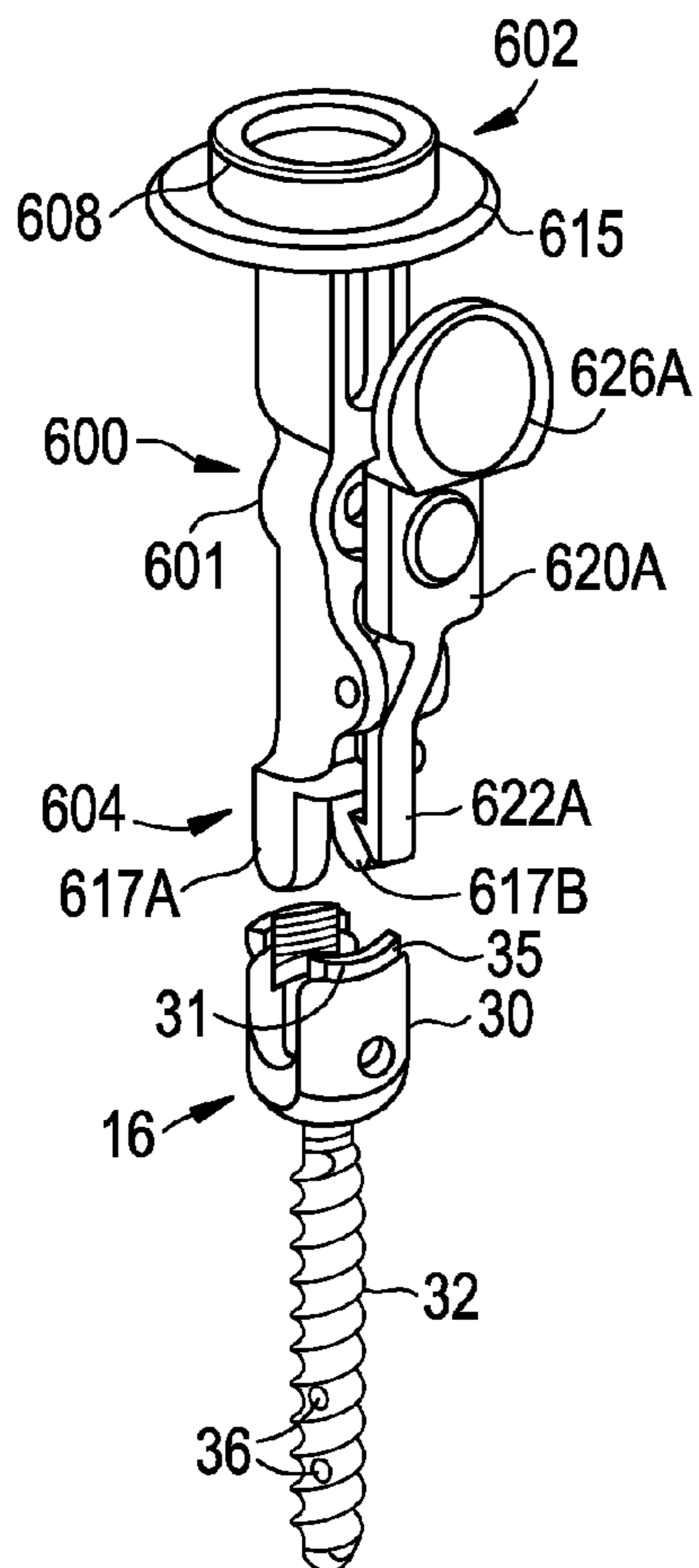
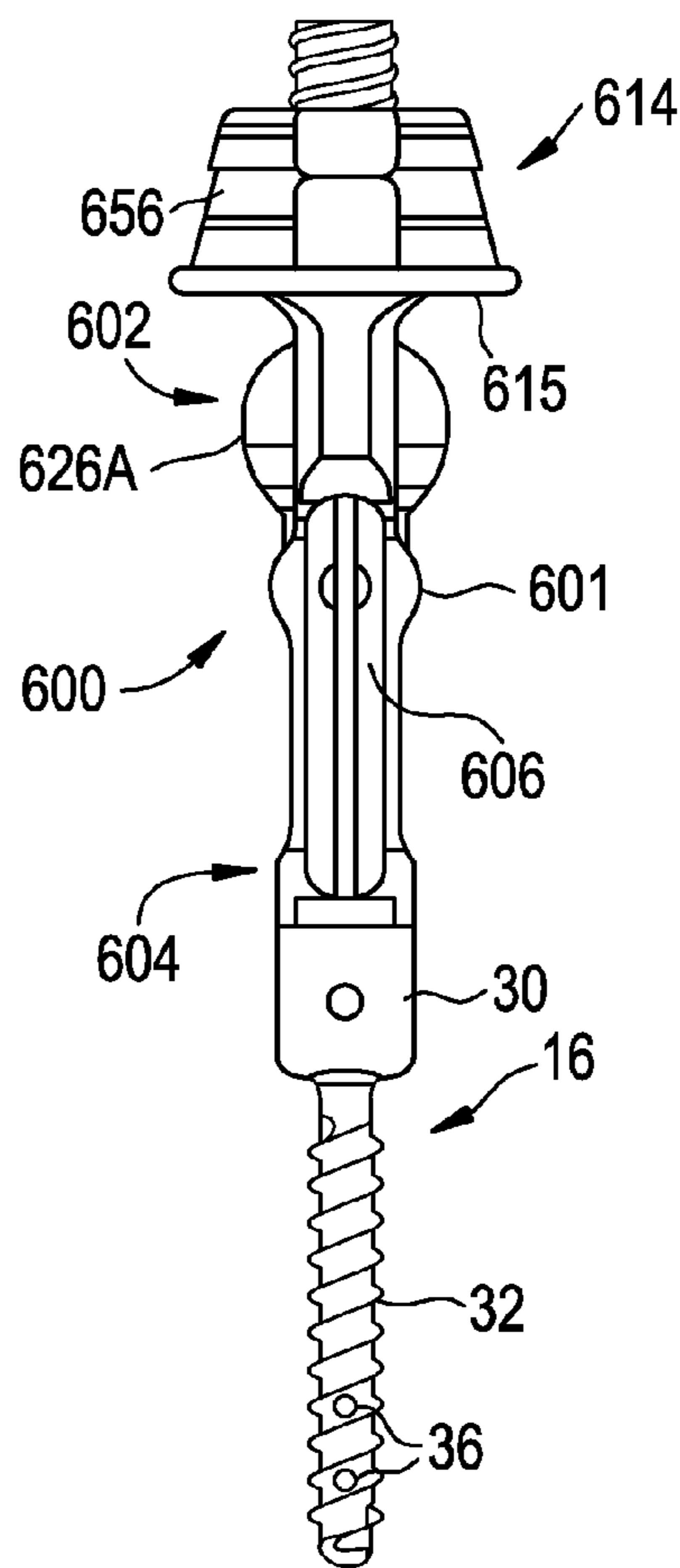


FIG. 17C

FIG. 17D

FIG. 17E

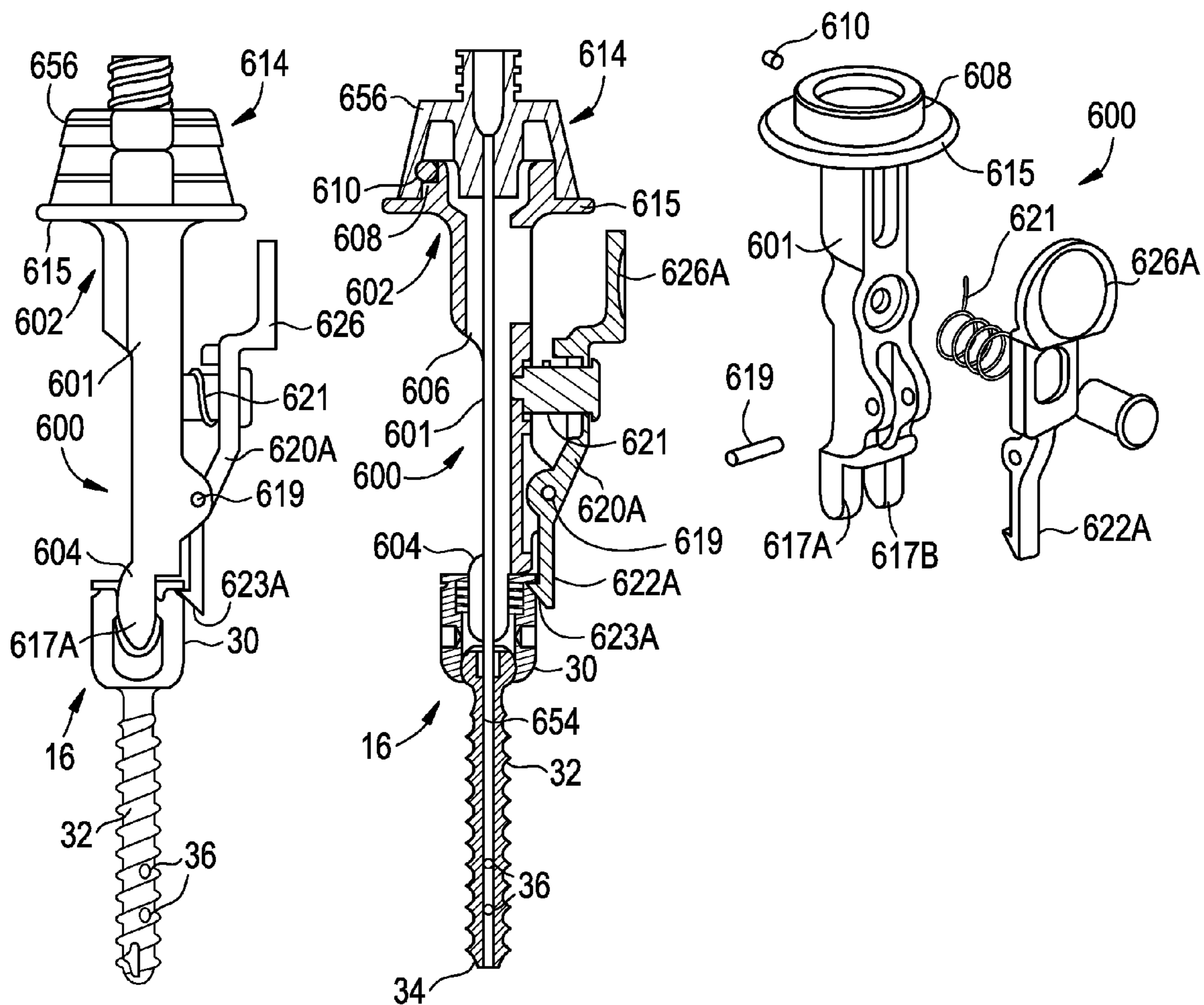
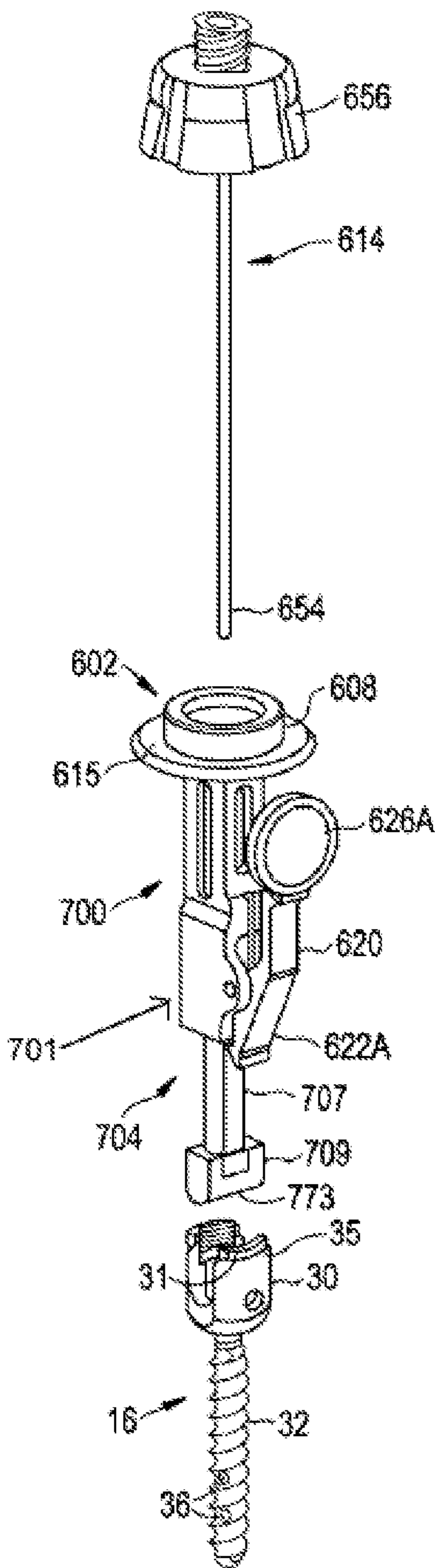
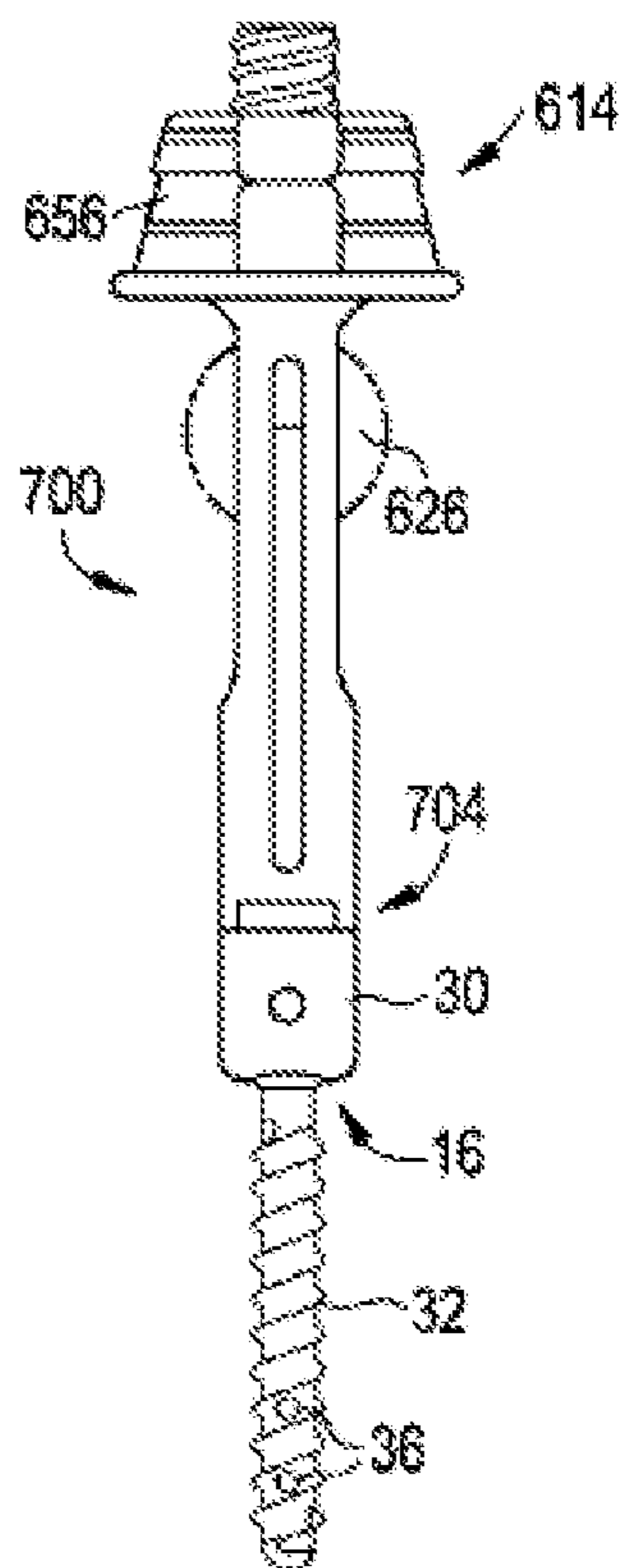


FIG. 18A



AMENDED

FIG. 18B



AMENDED

FIG. 18C

FIG. 18D

FIG. 18E

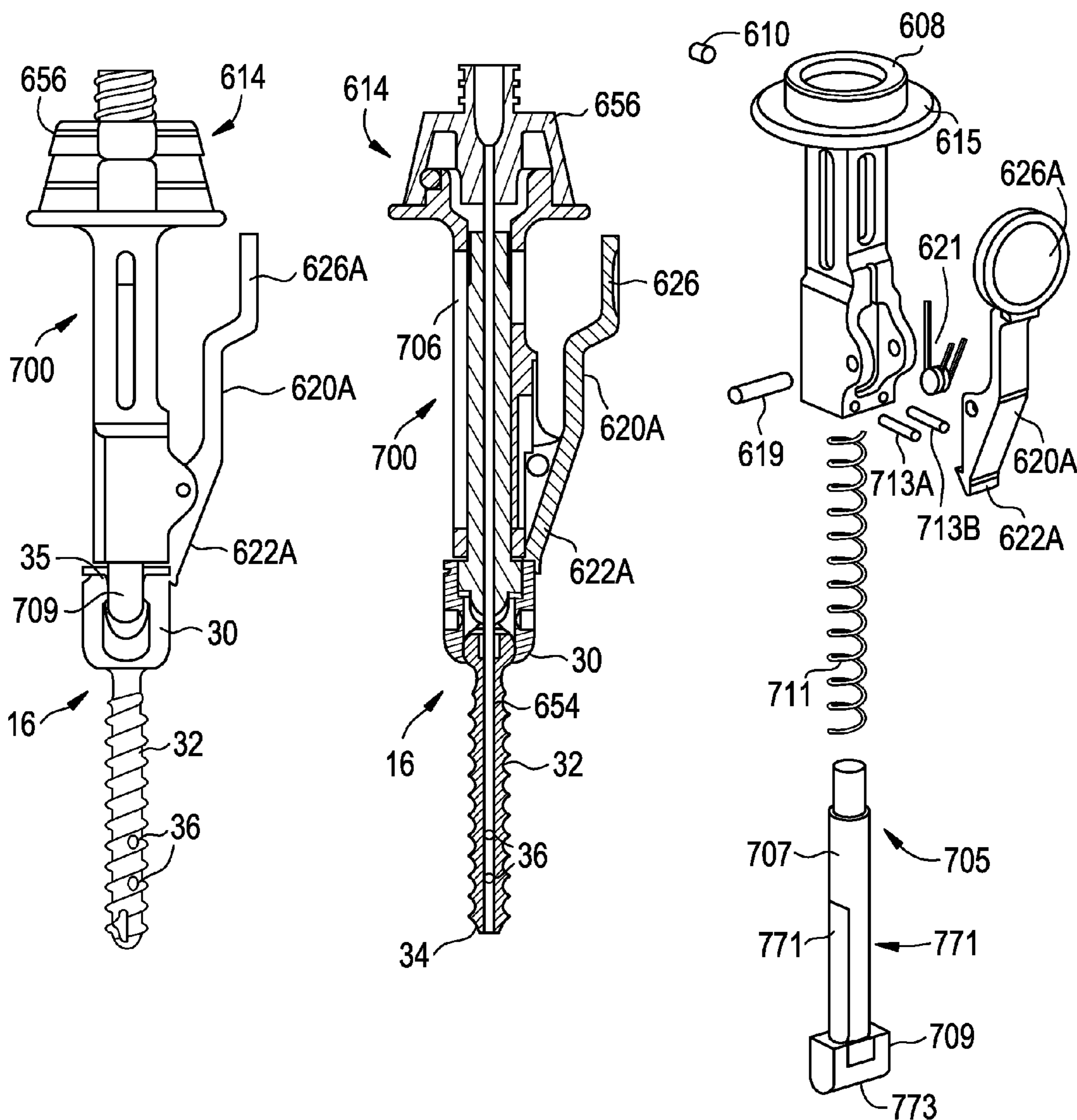


FIG. 19A

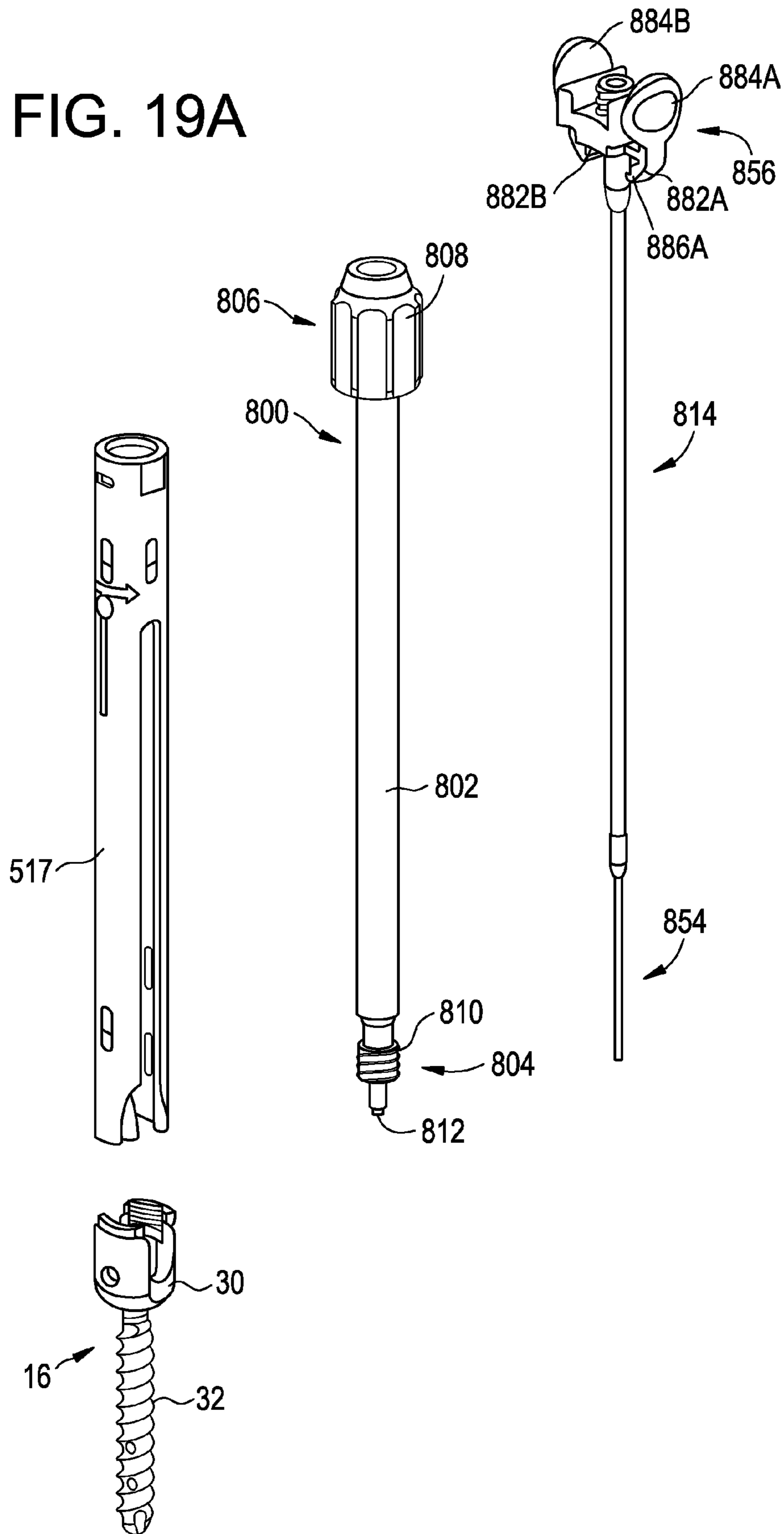


FIG. 19B

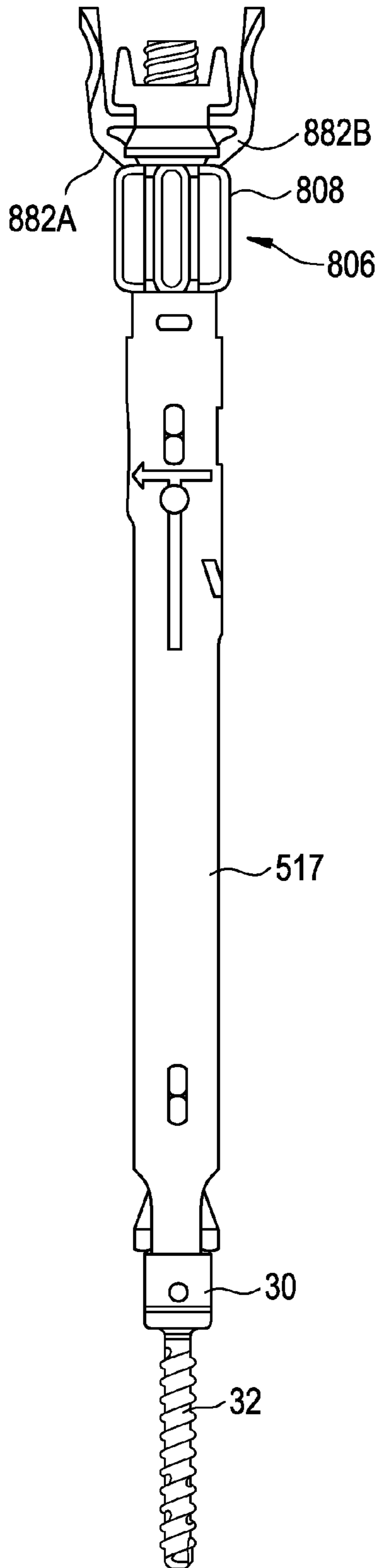


FIG. 19C

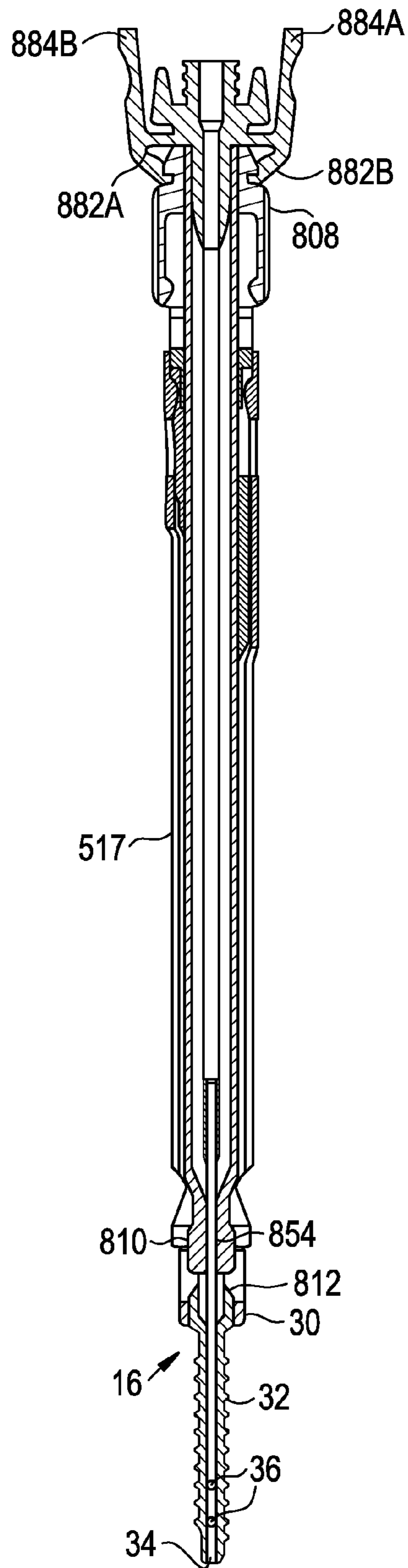


FIG. 19D

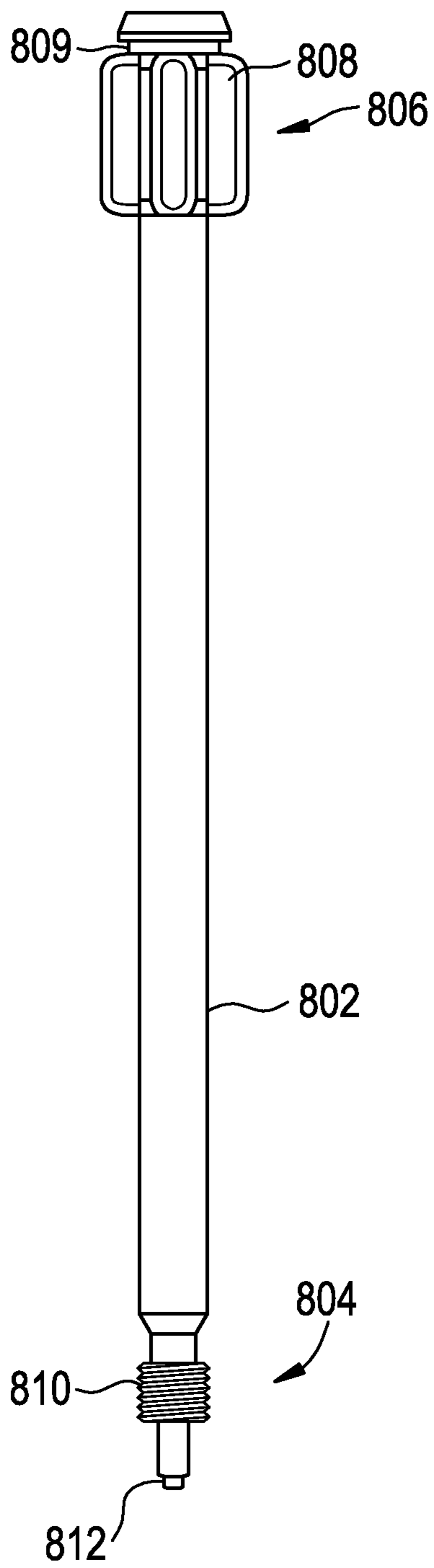


FIG. 19E

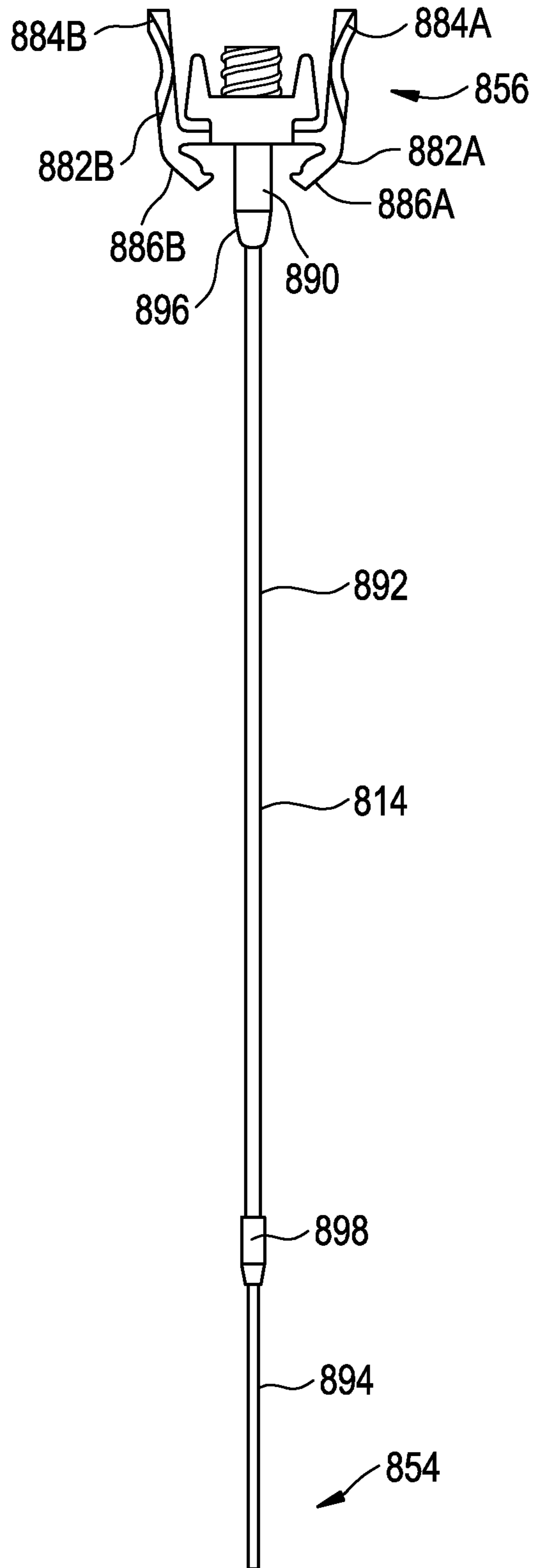


FIG. 20A

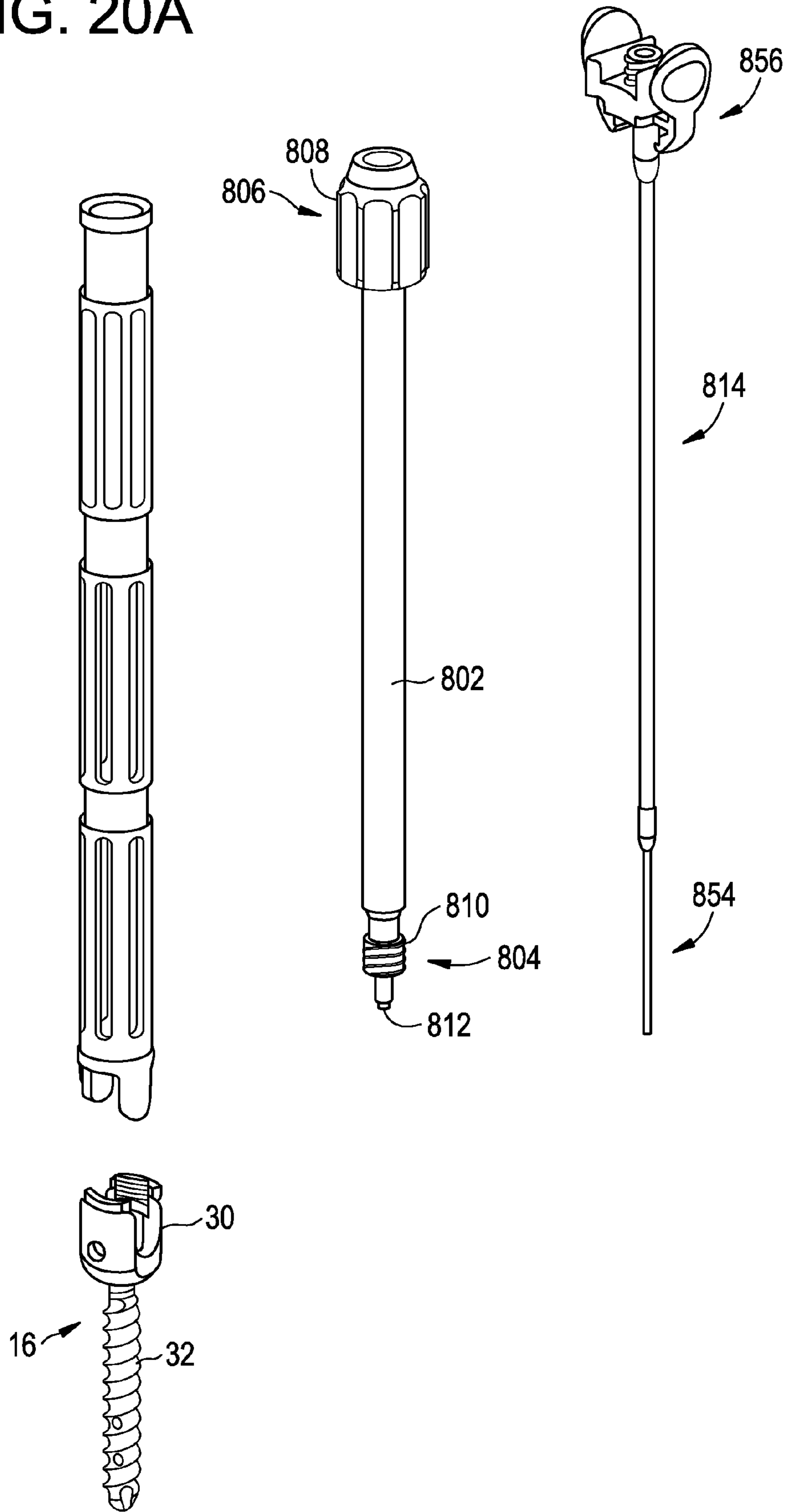


FIG. 20B

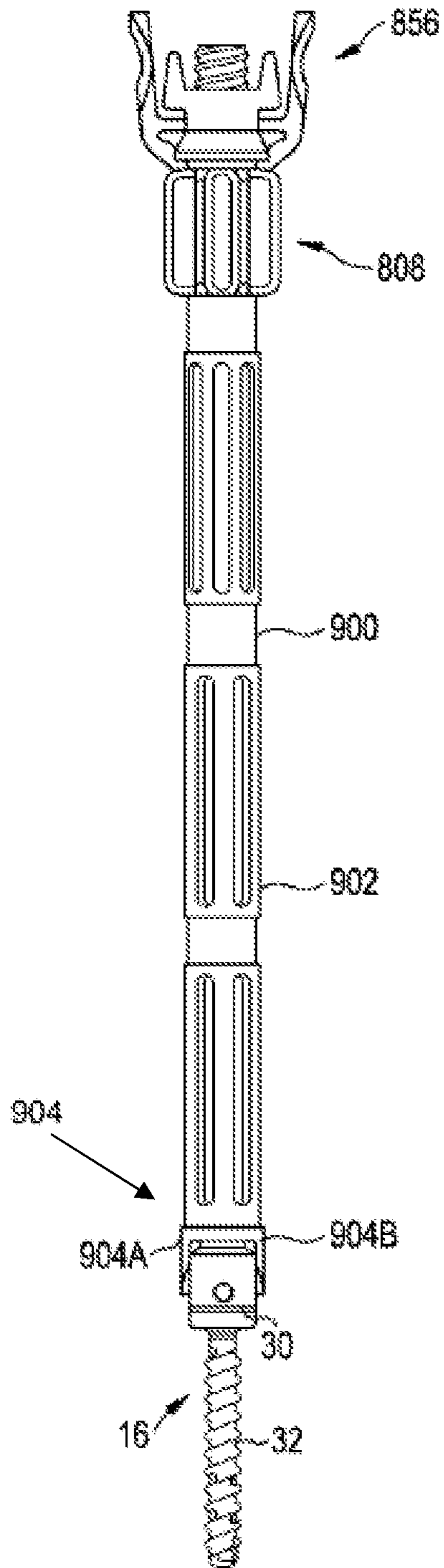
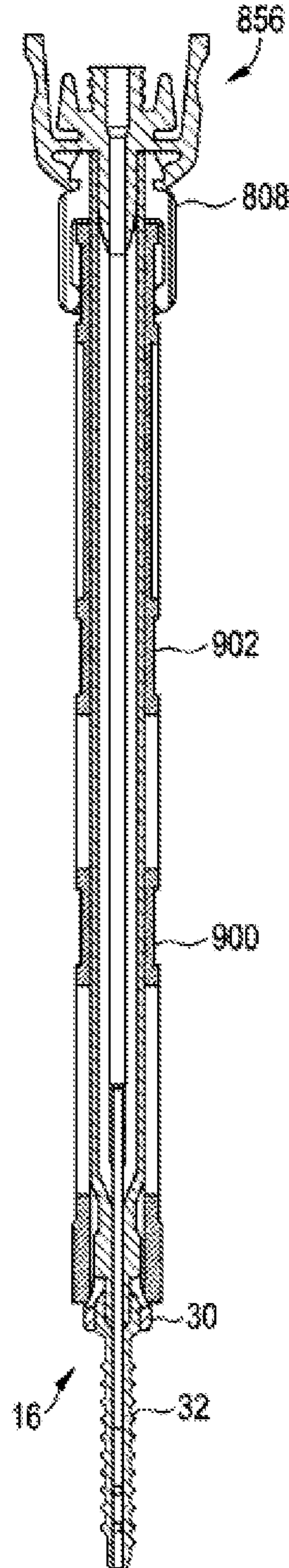


FIG. 20C



AMENDED

FIG. 20D

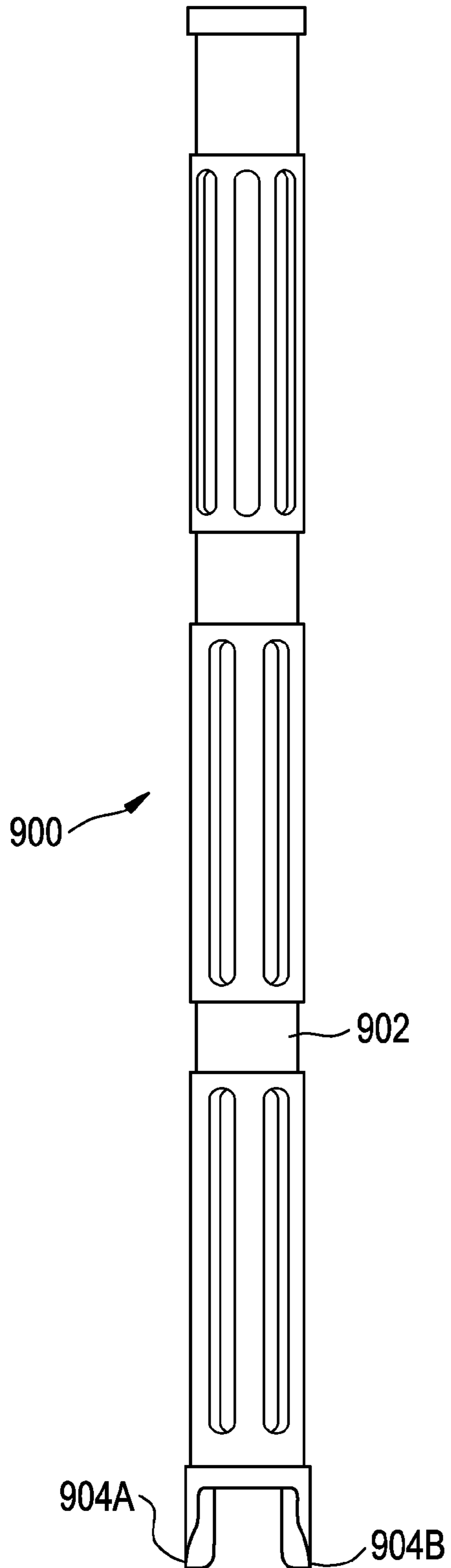


FIG. 20E

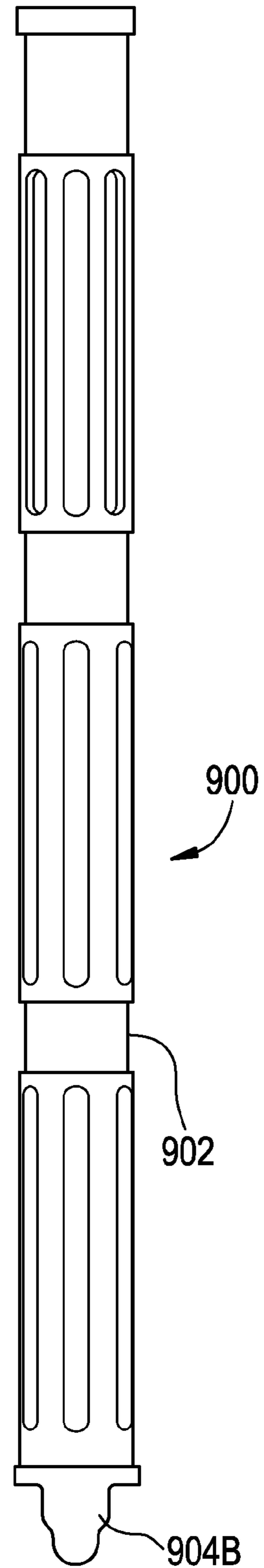


FIG. 21

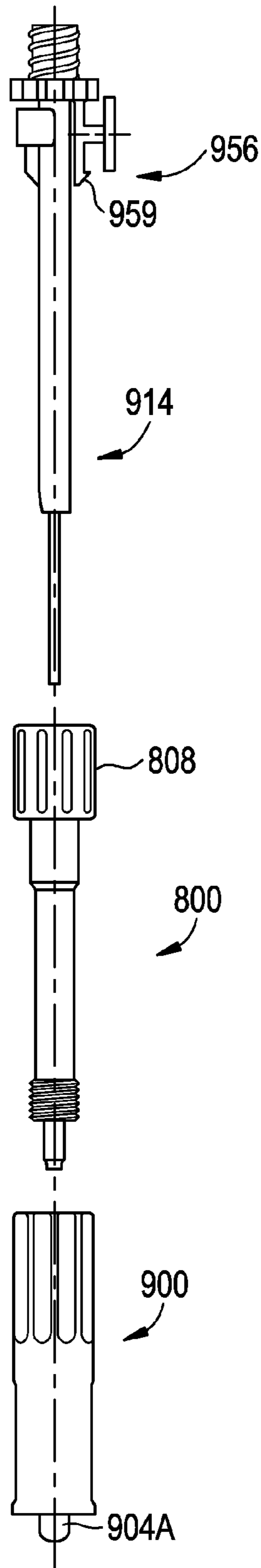


FIG. 22A

FIG. 22B

FIG. 22C

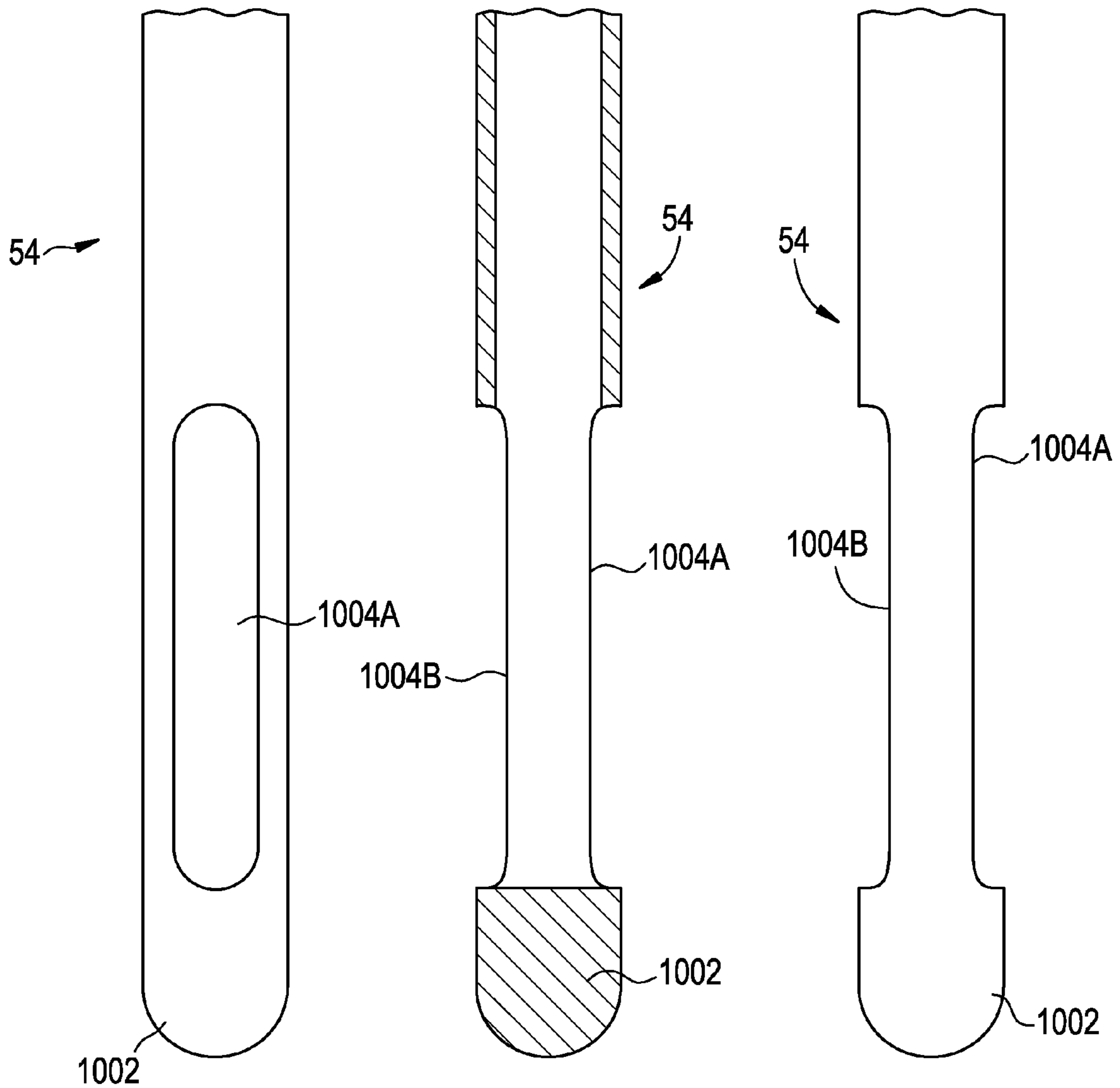


FIG. 23

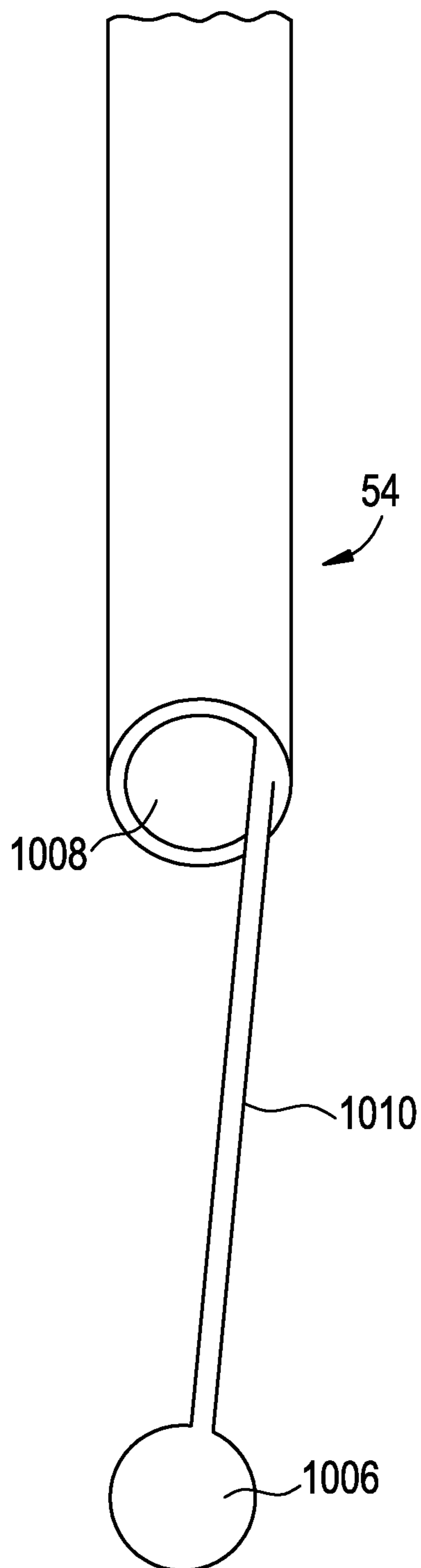


FIG. 24A

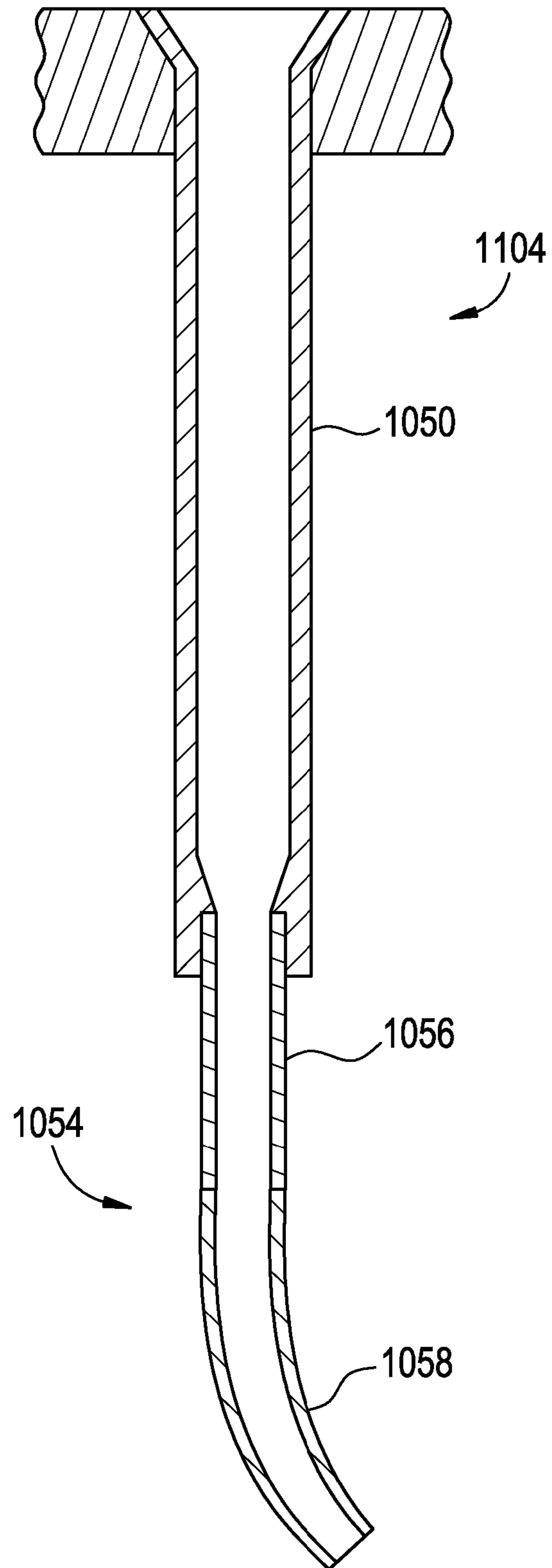
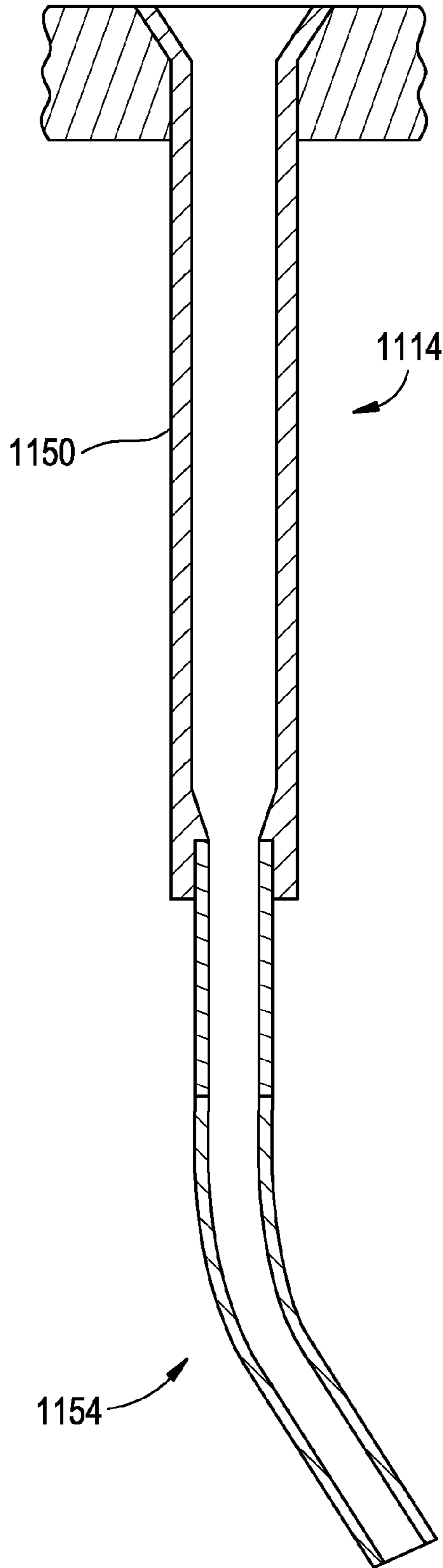


FIG. 24B



**SYSTEMS AND METHODS FOR
DELIVERING BONE CEMENT TO A BONE
ANCHOR**

Matter enclosed in heavy brackets [] appears in the original patent but forms no part of this reissue specification; matter printed in italics indicates the additions made by reissue; a claim printed with strikethrough indicates that the claim was canceled, disclaimed, or held invalid by a prior post-patent action or proceeding.

REFERENCE TO RELATED APPLICATIONS

[The present application] *This application is a broadening reissue of U.S. Pat. No. 9,265,548, which issued from U.S. patent application Ser. No. 13/832,054, filed Mar. 15, 2013, which is a divisional of U.S. patent application Ser. No. 12/608,333, filed Oct. 29, 2009 (now abandoned), which claims priority to U.S. Provisional Patent Application No. 61/109,661, filed Oct. 30, 2008. Each of the aforementioned patent applications is incorporated herein by reference.*

BACKGROUND

Bone anchors may be used in orthopedic surgery to temporarily fix bone during the healing or fusion process. One problem with the use of bone anchors is that bone anchors may pullout or otherwise be displaced from the bone prior to the healing or fusion process completing. This problem is particularly common when a bone anchor is positioned in poor quality bone such as osteoporotic bone. Accordingly, there is need for improved instruments and techniques for securing bone anchors to bone that minimize instances of anchor pull out.

SUMMARY

Disclosed herein are systems and methods for delivering bone cement or other materials to one or more bone anchors, such as one or more spinal anchors. In accordance with one aspect, an instrument system for delivering bone cement to a bone anchor may comprise an anchor connection instrument for releasably connecting to a proximal end of the bone anchor. The anchor connection instrument may include a first member coupled to an opposed second member. The first member and/or the second member may have a distal end configured to releasably connect to the proximal end of the bone anchor. The first member is movable between a release position to facilitate release of the anchor connection instrument from the proximal end of the bone anchor and a connect position in which at least one of the first member and the second member is connected to the proximal end of the bone anchor. The first member and the second member define a passage therebetween. The system includes a cement delivery tube positionable in the passage between the first member and the second member of the anchor connection instrument and a bone cement delivery system coupled to the tube.

In accordance with another aspect, a bone anchor system may include a plurality of bone anchors, each of the plurality of bone anchors including a proximal end, a distal bone engaging end, a passage extending from an opening at the proximal end to the distal bone engaging end, and an opening in a sidewall of the distal bone engaging end that communicates with the passage. The bone anchor system may include a bone cement delivery system and a tube

connectable to the bone cement delivery system, the tube being sized to fit within the passage of each of the plurality of bone anchors. The bone anchor system may include an anchor connection instrument for releasably connecting to a proximal end of one of the plurality of bone anchors, the anchor connecting instrument including a first member pivotally coupled to an opposed second member. At least one of the first member and the second member may have a distal end configured to releasably connect to an exterior of the proximal end of one of the bone anchors. The first member and the second member may be pivotable between a spaced apart first position to facilitate release of the anchor connection instrument from the proximal end of one of the bone anchors and a second position in which the first member and the second member connect to the proximal end of one of the plurality of bone anchors. The bone anchor system may include a tube connector positionable within a passage provided between the first member and the second member of the anchor connecting mechanism for connecting the tube to the anchor connection instrument. The tube connector may have an opening sized to receive the tube therethrough that may be sized to permit the tube to move along a longitudinal axis of the tube and may be sized to restrict motion of the tube in a direction transverse to the tube.

In accordance with another aspect, a method of stabilizing a first vertebra and a second vertebra of a patient may comprise implanting a first bone anchor into the first vertebra, the first bone anchor having a proximal portion for engaging a spinal rod and a distal bone engaging portion. The method further comprises implanting a second bone anchor into the second vertebra, the second bone anchor having a proximal portion for engaging a spinal rod and a distal bone engaging portion. The method further comprises connecting an anchor connection instrument to the proximal portion of the first bone anchor and positioning the distal end of a cement delivery tube into a passage provided through at least a portion of the bone engaging portion of the first bone anchor, the anchor connection instrument connecting the cement delivery tube to the first bone anchor. The method further comprises delivering bone cement from a bone cement delivery system coupled to the bone cement delivery tube through the passage in the first bone anchor to the first vertebra, removing the anchor connection instrument and the cement delivery tube from the first bone anchor, connecting the anchor connection instrument and the cement delivery tube to the second bone anchor, delivering bone cement from the bone cement delivery system coupled to the bone cement delivery tube through a passage in bone engaging portion of the second bone anchor to the second vertebra, and connecting a spinal connection element to the first bone anchor and the second bone anchor.

BRIEF DESCRIPTION OF THE FIGURES

These and other features and advantages of the systems and methods disclosed herein will be more fully understood by reference to the following detailed description in conjunction with the attached drawings in which like reference numerals refer to like elements through the different views. The drawings illustrate principles of the systems and methods disclosed herein and, although not to scale, show relative dimensions.

FIG. 1 is a perspective view of an exemplary system for delivering bone cement to a bone anchor, illustrating the system connected to a bone anchor;

3

FIG. 2 is a perspective view of the system of FIG. 1, illustrating the anchor connection instrument and the cement delivery tube prior to connection to the bone anchor;

FIG. 3 is a perspective view of the system of FIG. 1, illustrating the bone cement delivery tube inserted into the passage of the bone anchor;

FIG. 4 is a perspective view of the system of FIG. 1, illustrating the distal end of the anchor connection instrument connected to the bone anchor;

FIG. 5 is a side view in cross section of the system of FIG. 1, illustrating the anchor connection instrument connected to the bone anchor;

FIG. 6 is a side view in cross section of the system of FIG. 1, illustrating the anchor connection instrument connected to the bone anchor and the cement delivery tube positioned with the passage of the bone anchor;

FIGS. 7A-7D are perspective views of another exemplary system for delivering bone cement to a bone anchor, illustrating the connection of the system to a bone anchor;

FIGS. 8A-E are perspective views of another exemplary system for delivering bone cement to a bone anchor, illustrating the connection of the system to a bone anchor;

FIG. 9 is a perspective view of the system of FIGS. 8A-8E;

FIG. 10 is a perspective view of the connection member of the system of FIGS. 8A-8E;

FIGS. 11A-11B are perspective views of another exemplary system for delivering bone cement to a bone anchor, illustrating the connection of the system to a bone anchor;

FIGS. 12A-12C are perspective views of another exemplary system for delivering bone cement to a bone anchor, illustrating the connection of the system to a bone anchor;

FIGS. 13A-F are perspective views of another exemplary system for delivering bone cement to a bone anchor, illustrating the connection of the system to a bone anchor;

FIG. 14 is a side view in cross section of the system of FIGS. 13A-E, illustrating the anchor connection instrument connected to the bone anchor 16;

FIG. 15 is a side view in cross section of the distal end of the anchor connection instrument of FIG. 14;

FIGS. 16A-16B are side views in cross section of an exemplary bone cement delivery tube including a valve at a distal end thereof, illustrating the valve in an open and a closed position;

FIG. 17A is an exploded view of another exemplary system for delivering bone cement to a bone anchor, illustrating the anchor connection instrument and the cement delivery tube of the system and a bone anchor;

FIG. 17B is a front view of the system of FIG. 17A, illustrating the anchor connection instrument and the cement delivery tube of the system connected to the bone anchor;

FIG. 17C is a side view of the system of FIG. 17A, illustrating the anchor connection instrument and the cement delivery tube of the system connected to the bone anchor;

FIG. 17D is a side view in cross section of the system of FIG. 17A, illustrating the anchor connection instrument and the cement delivery tube of the system connected to the bone anchor;

FIG. 17E is an exploded view of the anchor connection instrument of the system of FIG. 17A;

FIG. 18A is an exploded view of another exemplary system for delivering bone cement to a bone anchor, illustrating the anchor connection instrument and the cement delivery tube of the system and a bone anchor;

FIG. 18B is a front view of the system of FIG. 18A, illustrating the anchor connection instrument and the cement delivery tube of the system connected to the bone anchor;

4

FIG. 18C is a side view of the system of FIG. 18A, illustrating the anchor connection instrument and the cement delivery tube of the system connected to the bone anchor;

FIG. 18D is a side view in cross section of the system of FIG. 18A, illustrating the anchor connection instrument and the cement delivery tube of the system connected to the bone anchor;

FIG. 18E is an exploded view of the anchor connection instrument of the system of FIG. 18A;

FIG. 19A is an exploded view of another exemplary system for delivering bone cement to a bone anchor, illustrating the anchor connection instrument and the cement delivery tube of the system and a screw extension and a bone anchor;

FIG. 19B is a side view of the system of FIG. 19A, illustrating the anchor connection instrument and the cement delivery tube of the system connected to the screw extension and the bone anchor;

FIG. 19C is a side view in cross section of the system of FIG. 19A, illustrating the anchor connection instrument and the cement delivery tube of the system connected to the screw extension and the bone anchor;

FIG. 19D is side view of the anchor connection instrument of the system of FIG. 19A;

FIG. 19E is side view of the cement delivery tube of the system of FIG. 19A;

FIG. 20A is an exploded view of another exemplary system for delivering bone cement to a bone anchor, illustrating the anchor connection instrument, the cement delivery tube, and the counter-torque instrument of the system and a bone anchor;

FIG. 20B is a side view of the system of FIG. 20A, illustrating the anchor connection instrument, the cement delivery tube, and the counter-torque instrument of the system connected to the bone anchor;

FIG. 20C is a side view in cross section of the system of FIG. 20A, illustrating the anchor connection instrument, the cement delivery tube, and the counter-torque instrument of the system connected to the bone anchor;

FIG. 20D is front view of the counter-torque instrument of the system of FIG. 20A;

FIG. 20E is side view of the counter-instrument of the system of FIG. 20A;

FIG. 21 is an exploded view of another exemplary system for delivering bone cement to a bone anchor, illustrating the anchor connection instrument, the cement delivery tube, and a counter-torque instrument of the system and a bone anchor;

FIG. 22A is a front view of another exemplary embodiment of a cement delivery tube, illustrating the distal end of the tube;

FIG. 22B is a side view in cross section of the distal end of the tube of FIG. 22A;

FIG. 22C is a side view of the distal end of the tube of FIG. 22A;

FIG. 23 is a perspective view of another exemplary embodiment of a cement delivery tube, illustrating the distal end of the tube;

FIG. 24A is a side view in cross section of another exemplary embodiment of a cement delivery tube; and

FIG. 24B is a side view in cross section of another exemplary embodiment of a cement delivery tube.

DETAIL DESCRIPTION OF EXEMPLARY EMBODIMENTS

Certain exemplary embodiments will now be described to provide an overall understanding of the principles of the

structure, function, manufacture, and use of the instruments and methods disclosed herein. One or more examples of these embodiments are illustrated in the accompanying drawings. Those of ordinary skill in the art will understand that the systems and methods specifically described herein and illustrated in the accompanying drawings are non-limiting exemplary embodiments and that the scope of the present invention is defined solely by the claims. The features illustrated or described in connection with one exemplary embodiment may be combined with the features of other embodiments. Such modifications and variations are intended to be included within the scope of the present invention.

The articles "a" and "an" are used herein to refer to one or to more than one (i.e. to at least one) of the grammatical object of the article. By way of example, "an element" means one element or more than one element.

The terms "comprise," "include," and "have," and the derivatives thereof, are used herein interchangeably as comprehensive, open-ended terms. For example, use of "comprising," "including," or "having" means that whatever element is comprised, had, or included, is not the only element encompassed by the subject of the clause that contains the verb.

FIGS. 1-6 illustrate an exemplary embodiment of a system for delivering bone cement or other materials to a bone anchor. The exemplary system 10 includes an anchor connection instrument 12, a delivery tube 14 connected to the bone anchor 16 by the anchor instrument 12, and a cement delivery system 18 coupled to the cement delivery tube for supplying bone cement to the bone anchor 16. The exemplary system 10 facilitates rapid attachment and removal of the system 10 from a bone anchor such that multiple bone anchors may be provided with bone cement prior to the bone cement setting. The system 10 may be used with any type of bone anchors, including, for example, bone screws used in spine surgery to fix or connect the vertebra of the spine. Such spinal bone screws may include, for example, polyaxial bone screws, monoaxial bone screws, and uniplanar bone screws.

Continuing to refer to FIGS. 1-6, the anchor connection instrument 12 of the exemplary system 10 connects the delivery tube 14 to a bone anchor 16. The exemplary bone anchor 16 is a polyaxial spinal anchor designed for posterior implantation in the pedicle or lateral mass of a vertebra. The exemplary bone anchor 16 includes a proximal portion 30 configured to receive a spinal connection element such as a rigid or dynamic spinal rod and a distal portion 32 configured to engage bone. For example, the proximal portion 30 of the exemplary bone anchor includes a U-shaped rod-receiving slot 31 for receiving a spinal rod. The proximal portion 30 may be configured to receive a closure mechanism, such as, for example, an external nut or cap or an internal setscrew that engages an internal thread 33 provided on the interior of the proximal portion 30 of the bone anchor 16. The proximal portion 30 of the bone anchor 16 may also include features for engaging instruments such as the anchor connection instrument 12. Such features may include one or more openings, such as a slot or the like, for receiving a complementary projection provided on an instrument. In the exemplary bone anchor 16, the proximal portion 30 includes two spaced apart, diametrically opposed slots 35.

The distal bone engaging portion 32 of the exemplary bone anchor 16 includes one or more screw threads. The exemplary bone anchor 16 is polyaxial, e.g., the proximal end portion 30 is connected to the distal bone engaging portion 32 in a polyaxial relationship such that the distal

bone engaging portion 32 may be positioned in a plurality of orientations relative to the proximal end portion 30. Exemplary polyaxial spinal anchors include EXPEDIUM polyaxial pedicle screws, VIPER polyaxial pedicle screws, MOSS MIAMI and MOSS MIAMI SI polyaxial pedicle screws, and MOUNTAINEER polyaxial pedicle screws, all of which are available from DePuy Spine, Inc., of Raynham, Mass. Alternative exemplary spine screws include DePuy Spine's EXPEDIUM monoaxial pedicle screws and uniplanar pedicle screws. In addition, exemplary polyaxial pedicle screws are described in U.S. Patent Application Publication Nos. US 2005/0131408 and US 2005/0228388, each of which is incorporated herein by reference.

The exemplary bone anchor 16 is configured to permit bone cement or other materials to be injected into bone through the bone engaging portion 32. A passage 34 extends from the rod receiving slot 31 in the proximal portion 30 of the bone anchor 16 into the distal bone engaging portion 32. The distal bone engaging portion 32 includes one or more openings 36 in the sidewall of the distal bone engaging portion 32. The openings 36 communicate with the passage 34 and extend radially from the passage 34 through the sidewall of the distal bone engaging portion 32. Bone cement or other materials may be injected into bone through the passage 34 and the openings 36.

The anchor connection instrument may be configured to engage a proximal portion 30 of the bone anchor 16 and may connect to an exterior of the bone anchor or, in other embodiments, may connect to the interior of the bone anchor. Exemplary anchor connection instruments are described in US Patent Application Publication Nos. US20050149036, US20050149053, US20060079909, and US20070260261, each of which are incorporated herein by reference. In the illustrated embodiment, the anchor connection instrument 12 connects to the exterior of the proximal portion 30 of the bone anchor 16. The exemplary anchor connection instrument 16 includes a first member 20A and second member 20B that cooperate to selectively connect the instrument to the bone anchor 16. The first member 20A and the second member 20B have distal ends 22A, 22B configured to releasably connect the instrument 12 to the exterior of the proximal portion 30 of the bone anchor 16. For example, the distal ends 22A and 22B may include a projection 24A, 24B for engaging a feature, such as slots 35, in the proximal portion 30 of the bone anchor 16. Alternatively, the distal ends 22A, 22B may include openings to receive a mating feature, such as a projection, provided on the proximal portion of the bone anchor 16. Moreover, in alternative embodiments, the distal end of only one of the members may be configured to engage the bone anchor.

In the exemplary embodiment, the first member 20A is coupled to the opposed second member 20B. The first member 20A and the second member 20B are pivotally connected and pivot about a pivot axis between a release position, in which the first member 20A and the second member 20B pivot away from one another to facilitate removal of the distal ends 22A, 22B of the first member 20A and the second member 20B from the bone anchor and a connect position in which the first member 20A and the second member 20B pivot towards one another and the distal ends 22A, 22B can engage the proximal portion 30 of the bone anchor 16. FIGS. 1-6 illustrate the anchor connection instrument 12 in the connect position. The first member 20A includes a proximal handle 26A and the second member 20B includes a proximal handle 26B. Manipulation of the proximal handles 26A, 26B can effect pivoting of the first member 20A and the second member 20B between the

release position and the connect position. For example, movement of the proximal handles **26A** and **26B** towards one another, in the direction of arrows **X** in FIG. **3**, causes the distal ends **22A**, **22B** away from one another, in the direction of arrows **Y** in FIG. **3**, to move toward the release position. The first member **20A** and the second member **20B** may be biased to the release position or to the connect position by a spring or other biasing mechanism.

The anchor connection instrument **12** may be constructed of any biocompatible material suitable for use in medical instruments or implants. For example, the anchor construction instrument **12** may be constructed from a metal, such as stainless steel, or a polymer, such as Radel®. The anchor construction instrument **12** may be a single use device or may be configured for multiple uses after sterilization.

At least a portion of the first member **20A** may be spaced apart from the second member **20B** to form a passage **28** therebetween for receiving the cement delivery tube **14**. A tube connector **40** may be positioned within the passage **28** between the first member **20A** and the second member **20B**, as illustrated in FIG. **5**. The tube connector **40** may have an opening sized to receive the cement delivery tube **14** there-through. The opening in the tube connector **40** is preferably sized to permit the cement delivery tube **14** to move along a longitudinal axis of the tube **14** relative to the anchor connection instrument **12** while concomitantly restricting motion of the tube **14** in a direction transverse to the longitudinal axis of the tube **14**. For example, the opening in the tube connector **40** has an extent, e.g., a diameter, approximate to the extent, e.g. the outer diameter, of the cement delivery tube **14**. In the exemplary embodiment, the tube connector **40** is generally disk shaped, is constructed of an elastomeric polymer material, and has a central opening having a diameter less than or equal to the outer diameter of the cement delivery tube **14**.

The cement delivery tube **14** is removably coupled to a cement delivery system **18**. The cement delivery system **18** may include a reservoir **50** or other container for holding and/or mixing the cement and a pressure source **52**, such as a pump, for applying pressure to the bone cement in the reservoir **50** to move the bone cement through the system **18**, and the tube **14**, relative to the reservoir **50**. A suitable cement delivery system **50** is the CONFIDENCE spinal cement system, available from DePuy Spine, Inc. of Raynham, Mass., and the cement delivery systems described in the following U.S. patents and patent applications: U.S. Pat. No. 7,097,648 and U.S. Patent Application Publication Nos. U.S. 2008/0228192, U.S. 2006/0264967, U.S. 2006/0079905, U.S. 2007/0027230, U.S. 2008/0212405, U.S. 2007/0032567, and U.S. 2008/0200915 and U.S. patent application Ser. Nos. 09/890,172 and 11/561,969, each of which is incorporated herein by reference.

The bone cement delivery tube **14** is coupled to the bone cement delivery system **18** to permit bone cement to be introduced to the delivery tube **14** from the system **18**. In the exemplary embodiment, the bone cement delivery tube **14** is an elongated hollow tube having a distal end **54** sized for insertion into the passage **34** in the distal portion **32** of the bone anchor **16** and a proximal end **56** having a handle **58** to facilitate manipulation of the tube **14**. The proximal end **56** of the tube may extend through the handle **58** and terminate at connection feature, such as a luer lock connection, that permits connection to the bone cement delivery system **18**. The cement delivery tube **14** may be a needle or stylet having a diameter less than the diameter of the passage **34** in the distal portion **32** of the bone anchor **16**. The cement delivery tube **14** may be constructed from any biocompatible

material suitable for use in medical instruments or implants. For example, the cement delivery tube **14** may be constructed from a metal, such as stainless steel, or a polymer, such as Radel®. The cement delivery tube **14** may be a single use device or may be configured for multiple uses after sterilization. In one exemplary embodiment, the anchor connection instrument **12**, including the tube connector **40**, and the cement delivery tube **14**, may be prepackaged in an assembled, sterilized state with the cement delivery tube **14** positioned with the anchor connection instrument **12** and through the tube connector **40**.

In the exemplary embodiment, the reservoir **50** of the cement delivery system **18** is directly connected to the cement delivery tube **14** and the pressure source **52** may be positioned remote from the cement reservoir **50** and the cement delivery tube **14**. Remote placement of the pressure source **52** permits a medical professional to inject cement into the bone anchor **16** outside of the imaging field of the imaging system (e.g., a fluoroscopy or x-ray system) used to monitor the cement volume injected into the patient's bone through the bone anchor. In this manner, the medical professional is not exposed to radiation from the imaging system during the bone cement injection procedure.

The cement delivery system **18** may include a valve **60** for controlling cement delivery to the cement delivery tube **14**. For example, the valve **60** may be used to selectively interrupt flow of bone cement to the bone cement delivery tube **14**. In the exemplary embodiment, the valve **60** is positioned at the interface between the cement delivery system **18** and the tube **14**, e.g., between the cement reservoir **50** and the proximal end **56** of the cement delivery tube **14**. In alternative embodiments, a valve may be provided as part of the cement delivery tube **14**, for example, in the handle **58** or at the distal end **54** of the tube **14**. For example, in one exemplary embodiment, at least a portion of the distal end **54** or other portion of the tube, may be compressible and the valve may be operated to selectively compress the compressible portion and thereby restrict cement flow through the tube. Such an embodiment is described in more detail below.

An exemplary method of stabilizing a first vertebra and second vertebra of a patient, including delivering of bone cement to a bone anchor, will be described in more detail below. Initially, a first bone anchor, such as bone anchor **16** described above, may be implanted into a first vertebra and a second bone anchor, such as another bone anchor **16**, may be implanted in a second vertebra. For example, the first and second bone anchors may be implanted into the respective pedicles of adjacent vertebrae through a posterior approach. The implantation procedure may be an open procedure, in which, for example, the bone anchors are implanted through a single incision, or a minimally invasive procedure in which the first bone anchor and the second bone anchor are implanted through separate percutaneous incisions.

The anchor connection instrument **12** may be connected to the proximal portion **30** of the first bone anchor. For example, the distal end **22A** of the first member **20A** of the anchor connection instrument **12** may be moved, e.g., pivoted, away from the distal end **22B** of the second member **20B** of the anchor connection instrument **12** to separate the distal end **22A** of the first member **20A** from the distal end **22B** of the second member **20B**. The separated distal ends **20A** and **20B** may then be positioned about the proximal end **30** of the bone anchor. The distal end **22A** of the first member **20A** of the anchor connection instrument **12** may be moved, e.g., pivoted, toward the distal end **22B** of the second member **20B** of the anchor connection instrument **12**

until the distal ends 22A and 22B contact the proximal end 30 of the first bone anchor to connect the anchor connection instrument 12 to the first bone anchor.

As illustrated in FIG. 2, the cement delivery tube 14 may be coupled to the anchor connection instrument 12 via the tube connector 40 prior to attachment of the anchor connection instrument 12 to the first bone anchor 12. The distal end 54 of the cement delivery tube 14 may be positioned in the passage 34 of the distal bone engaging portion 32 of the first bone anchor 12. In one exemplary embodiment, the distal end 54 of the cement delivery tube 14 may be adjusted relative to one or more openings 36 in the distal portion 34 of the first bone anchor to select the opening or openings through which to deliver cement to the first vertebra.

The cement delivery tube 14 may be coupled to the cement delivery system 18 before or after connection of the cement delivery tube 14 and the anchor connection instrument 12 to the bone anchor. In one embodiment, the bone cement may be mixed in the reservoir 50 of the cement delivery system 18 prior to connection to the cement delivery tube 14. In cement delivery systems 18 including a valve 60, the valve may be opened to permit cement flow through the cement delivery tube 14. The pressure source 52 may be operated to deliver a fluid, such as saline, under pressure to the reservoir 50 which forces bone cement from the reservoir 50 into the bone cement delivery tube 14, through the passage 54 in the first bone anchor to the first vertebra.

The medical professional operating the pressure source 52 may monitor the delivery of cement to the first vertebra using an imaging system such as a fluoroscopy system. Because the pressure source 52 is remote from the anchor connection instrument 14 and is outside the imaging field, the medical professional is not exposed to radiation from the imaging system.

Once the desired amount of bone cement is delivered to the first vertebra, the anchor connection instrument 12 and cement delivery tube 14 may be removed from the first bone anchor and connected to the second bone anchor, preferably while the cement delivery tube 14 remains connected to the cement delivery system 18. Prior to disconnecting the anchor connection instrument 12 and the cement delivery tube 14 from the first bone anchor, the valve 60, if provided, may be closed to interrupt cement delivery to the first bone anchor and the cement delivery tube 14. In addition, the pressure source 52 may be operated in reverse, for example to provide for fluid flow in the direction of the pressure source, to reduce pressure of the bone cement in cement delivery tube 14 and to minimize leaking of cement from the distal end 54 of the cement delivery tube 14 during removal. The fluid pressure in the cement delivery system 18 may be monitored through a pressure indicator 62.

Once the anchor connection instrument 12 and cement delivery tube 14 are connected to the second bone anchor, bone cement may be delivered to the second bone anchor and the second vertebra in accordance with the procedure described above in connection with the first bone anchor and the first vertebra. Once the desired amount of cement is delivered to the second vertebra, the anchor connection instrument 12 and the cement delivery tube 14 may be removed from the second bone anchor. A spinal connection element, such as a spinal rod may then be connected to the first bone anchor and the second bone anchor to stabilize the first vertebra relative to the second vertebra. In a minimally invasive procedure, the spinal connection element may be delivered to first bone anchor through the percutaneous incision in which first bone anchor is implanted and the spinal connection element may be positioned beneath the

skin and the lamina to the second bone anchor. Such a minimally invasive procedure may be carried out using the VIPER and VIPER II Spinal Fixation Systems available from DePuy Spine of Raynham, Mass.

Bone cement may be injected through any number of bone anchors, e.g., one or more bone anchors depending on, for example, the procedure being performed and the quality of the bone of the vertebra being stabilized. The exemplary systems and methods described above allow multiple anchors and their respective vertebrae to be quickly and easily filled with bone cement. Moreover, since bone cement typically has a limited working time in which the cement is flowable and suitable for injection, the system and methods described above allow an increased number of anchors to be injected with cement during the bone cement working time.

The exemplary systems and methods described above are particularly suited for delivering bone cement. Although any type of bone cement or bone filler may be used with these systems and methods, a high viscosity bone cement, such as high viscosity polymethylmethacrylate based cement available from DePuy Spine, Inc., of Raynham Mass. (CONFIDENCE Spinal Cement), is particularly suited for delivery using the above systems and methods. Alternatively, the systems and methods described above may be used to deliver other materials, such as irrigation fluid or biologics to bone through a bone anchor.

FIGS. 7A-7D illustrate another exemplary embodiment of a system for delivering bone cement or other materials to a bone anchor. In the exemplary system, the cement delivery tube 14 includes a connection member 100 positioned between the proximal end 56 of the tube 14 and the distal end 54 of the tube 14. The connection member 100 is configured to engage the internal thread 33 provided on the proximal portion 30 of the bone anchor 16. In the exemplary embodiment, the connection member 100 is generally disk shaped and includes an external thread 102 complementary to the internal thread 33 provided on the proximal portion 30 of the bone anchor 16. The connection member 100 may be spaced a distance D from the tip of the distal end 54 of the tube 14 selected to allow the distal end 54 of the tube 14 to advance into the passage 34 provided in the bone anchor 16, as illustrated in FIG. 7A. In use, the cement delivery tube 14 may be connected to the bone anchor 16 by advancing the distal end 54 of the tube 14 into the passage 34 of the bone anchor, as illustrated in FIG. 7B, and rotating the tube 14 to engage the thread 102 on the connection member 100 with the internal thread 33 of the bone anchor 16, as illustrated in FIG. 7C. The tube 14 may be rotated until the distal end 54 of the tube 14 reaches the desired depth within the passage 34 of the bone anchor 16, as illustrated in FIG. 7D. The tube 14 may be quickly removed from the bone anchor 16 by rotating the tube 14 in the opposite direction to disengage thread 102 from thread 33. The tube 14 may be connected to a cement delivery system such as the cement delivery system 18 described above and cement may be injected through one or more bone anchors in a manner analogous to the methods described above.

FIGS. 8A-10 illustrate another exemplary embodiment of a system for delivering bone cement or other materials to a bone anchor. In the exemplary system, the cement delivery tube 14 includes a connection member 200 positioned between the proximal end 56 of the tube 14 and the distal end 54 of the tube 14. Like the connection member 100 described above, the connection member 200 is configured to engage the internal thread 33 provided on the proximal portion 30 of the bone anchor 16. In the exemplary embodiment, the connection member 200 is generally disk shaped

and includes an external thread **202** complementary to the internal thread **33** provided on the proximal portion **30** of the bone anchor **16**. In the exemplary embodiment, the thread **202** of the connection member **200** is interrupted at two spaced apart, opposed unthreaded sections **204A** and **204B**. The unthreaded sections **[202A and 202B]** *204A and 204B* are positioned diametrically opposed to one another. Thus, the connection member **200** has a threaded section **206** interposed between each unthreaded section **[202A and 202B]** *204A and 204B*. The connection member **200** may be spaced a distance *F* from the tip of the distal end **54** of the tube **14** selected to allow the distal end **54** of the tube **14** to be advanced into the passage **34** provided in the bone anchor **16**, as illustrated in FIG. **8A**.

In use, the cement delivery tube **14** may be connected to the bone anchor **16** by advancing the distal end **54** of the tube **14** into the passage **34** of the bone anchor **16**, as illustrated in FIG. **8B**. During insertion of the tube **14**, the connection member **200** is oriented such that the unthreaded sections **204A** and **204B** face the internally threaded portions of the proximal portion **30** of the bone anchor **16** and the threaded sections **206** are aligned with the rod slot **31** of the proximal portion **30** of the one anchor **16**, as illustrated in FIGS. **8C-D**. Once the distal end **54** of the tube **14** reaches the desired depth within the passage **34** of the bone anchor **16**, the tube **14** may be rotated approximately 90° to engage the thread **202** on the threaded portions **206** with the internal thread **33** on the threaded portions of the bone anchor **16**, as illustrated in FIG. **8E**. The tube **14** may be quickly removed from the bone anchor **16** by rotating the tube **14** approximately 90° in the opposite direction to disengage the thread **202** on the threaded portions **206** from thread **33**. The tube **14** may be connected to a cement delivery system such as the cement delivery system **18** described above and cement may be injected through one or more bone anchors in a manner analogous to the methods described above.

FIGS. **11A-11B** illustrate another exemplary embodiment of a system for delivering bone cement or other materials to a bone anchor. In the exemplary system, the cement delivery tube **14** may be connected to bone anchor **16** with an anchor connection instrument **300** configured to engage the interior of the proximal portion **30** of the bone anchor **16**. The exemplary anchor connection instrument **300** is generally tubular in shape and has a proximal end **302**, a distal end **304**, and an internal lumen or passage **306** extending from the proximal end **302** and the distal end **304** for receiving the cement delivery tube **14** therein. The distal end **304** of the anchor connection instrument **300** includes two spaced-apart prongs or fingers **308A** and **308B** configured to selectively engage the thread **33** on the proximal portion **30** of the bone anchor **16**. The prongs **308A** and **308B** are diametrically opposed to each other and are connected at a proximal end **310A**, **310B** to the anchor connection instrument **300**. The prongs **308A** and **308B** have a free distal end **312A**, **312B** opposite the proximal ends **310A**, **310B**. Each prong **308A**, **308B** may pivot or flex about its proximal end **310A**, **310B** between a first, spaced-apart position, illustrated in FIG. **11A** and a second, compressed position in which the prongs **308A**, **308B** pivot towards one another to facilitate insertion of the distal end **304** of the instrument **300** into the bone anchor. The prongs **308A**, **308B** are biased to the first position. The distal ends **312A**, **312B** of each prong **308A**, **308B** includes a projection **314A**, **314B** for engaging the internal thread **33** of the bone anchor **16**.

In use, the anchor connection instrument **300** and the tube **14** may be advanced toward the bone anchor **16** to position the distal end **54** of the tube **14** within the passage **34** of the

bone anchor **16**, as illustrated in FIG. **11A**. As the distal end **304** of the instrument **300** engages the proximal portion **30** of the bone anchor **16**, the prongs **308A** and **308B** are compressed to the first, compressed position. The projections **314A** and **314B** may include a ramped surface to compress the prongs **308A**, **308B** toward the second position. In the second position, the projections **314A**, **314B** may pass the leading edge of the thread **33** of the bone anchor **16** and then snap into place beneath a crest of the thread **33** as the prongs **308A**, **308B** move to the first position thereby connecting the anchor connection instrument **300** and the tube **14** to the bone anchor. The anchor connection instrument **300** may be removed from the bone anchor **16** by compressing the prongs **308A**, **308B** to the second position and retracting the distal end **304** from the proximal portion **30** of the bone anchor **16**. The tube **14** may be connected to a cement delivery system such as the cement delivery system **18** described above and cement may be injected through one or more bone anchors in a manner analogous to the methods described above.

FIGS. **12A-12C** illustrate another exemplary embodiment of a system for delivering bone cement or other materials to a bone anchor. In the exemplary system, the cement delivery tube **14** may be connected to bone anchor **16** with an anchor connection instrument **400** configured to engage the interior of the proximal portion **30** of the bone anchor **16**. The exemplary anchor connection instrument **400** is analogous in construction and use to the anchor connection instrument **300** described above except the anchor connection instrument **400** has a single prong **408** rather than two prongs **308A**, **308B**. In addition, the distal end **404** of the anchor connection instrument **400** is shaped to fit within the rod slot **31** of the bone anchor **16**. For example, the distal end **404** of the instrument **400** is generally T-shaped having a pair of opposed extensions **420A**, **420B** that extend from the instrument and that each have an arcuate lower surface for engaging the arcuate surface on the proximal portion **30** of the bone anchor **16** that bounds the rod slot **31**. The extensions **420A**, **420B**, when positioned in the rod slot **31** of the bone anchor **16**, provide stability and limit rotation of the anchor connection instrument **400** relative to the bone anchor **16**. The anchor connection instrument **300** described above in connection with FIGS. **11A** and **11B** may also be provided with extensions analogous to extensions **420A**, **420B**.

FIGS. **13A-15** illustrate another exemplary embodiment of a system for delivering bone cement or other materials to a bone anchor. In the exemplary system, a cement delivery tube **514** may be connected to bone anchor **16** with an anchor connection instrument **500** configured to engage the interior of the proximal portion **30** of the bone anchor **16** through a screw extension connected **516** to the bone anchor **16**. The exemplary screw extension **516** is used to percutaneously place a bone anchor, such as bone anchor **16**, and to deliver a spinal rod to the bone anchor and other bone anchors in a minimally invasive procedure. Exemplary screw extensions are available in the VIPER and VIPER II Spinal Fixation Systems available from DePuy Spine of Raynham, Mass., and are described in U.S. Patent Application Publication Nos. US 2005/0131408 and US 2005/0131421, each of which is incorporated herein by reference. The exemplary anchor connection instrument **500** is sized to fit within the exemplary screw extension **516**, e.g., having an external diameter less than the inner diameter of the screw extension.

The anchor connection instrument **500** includes an inner longitudinally adjustable member **502** that receives the

cement delivery tube **514** and an outer sleeve **504** positioned about the inner member **502**. A handle **506** is connected to the inner member **504**. The inner member **502** may be adjusted between a proximal position and a distal position relative to the outer sleeve **504**. The outer sleeve **504** has a distal end **508** having two laterally adjustable prongs **510A**, **510B**. Advancement of the inner member **502** relative to the outer sleeve **504** from the proximal position to the distal position causes the prongs **510A**, **510B** to move laterally, in a direction transverse to the longitudinal axis, which facilitates engagement with bone anchor. For example, the prongs **510A**, **510B** may enter the rod slot **31** in the proximal portion **33** of the bone anchor thereby connecting the outer sleeve **508**, and the cement delivery tube **514** to the bone anchor **30**. Handle **506** may be rotated to effect movement of the inner member between the proximal position to the distal position.

FIGS. **16A** and **B** illustrate another exemplary embodiment of a cement delivery tube **614** that includes an integral valve at the distal end of the cement delivery tube. The exemplary cement delivery tube **614** includes a compressible section **670** in which a portion of the wall of the tube **614** may be compressed to selectively interrupt flow of cement through the cement delivery tube **14**. In one embodiment, for example, the cement delivery tube **14** may include an inner tube **671** constructed from a resilient compressible material, such as a polymer, and may be selectively encased or enclosed by a coaxial sleeve **672** of a rigid material, such as a rigid polymer or a metal. A section of the length of the inner tube **671** may be exposed, e.g., not enclosed, to provide the compressible section **670** which may operate as a valve. The compressible section **670** may be provided at any point along the length of the tube **614**.

The anchor connection instrument or other instrument may be used to selectively compress the wall of the inner tube **671** at the compressible section **670** to obstruct the inner tube **671**. For example, the anchor connection instrument may include a longitudinally adjustable valve member **674** that includes a projection **676** or the like for compressing the wall of the inner tube **671** at the compressible section **670**. The valve member **674** may be a prong, analogous to the prongs **308A**, **B** and **408**, described above, and may also be used to engage the instrument to the bone anchor. In the exemplary embodiment, when the valve member **674** is in a proximal position, the projection **676** compresses the wall of the inner tube **671** to obstruct the inner tube **671**. In a distal position, the projection **676** abuts the rigid out sleeve **672** and the inner tube remains unobstructed.

FIGS. **17A-17E** illustrate another exemplary embodiment of a system for delivering bone cement or other material to a bone anchor. The exemplary system includes an anchor connection instrument **600** including an instrument body **601** having a proximal end **602** for connection to a cement delivery tube, such as, for example, cement delivery tube **14** or cement delivery tube **614**, described below, a distal end **604** sized and shaped to fit within the proximal portion **30** of the bone anchor **16**, and passage **606** between the proximal end **602** and the distal end **604** through which the cement delivery tube may be positioned to connect to the passage **34** in the bone anchor **16**.

The proximal end **602** of the exemplary instrument body **601** may include an annular collar **608** defining an opening to the passage **606** of the instrument **600**. The collar **608** may include a connection feature to facilitate connection to the proximal end of the cement delivery tube. The connection feature may be an external thread, an internal thread, a groove or opening for receiving a projection or the like, or

other known connection features. Alternatively, the collar **608** may connect to the proximal end of the tube by a simple friction fit. In the illustrated embodiment, the collar **608** includes a single pin **610** extending from the outer surface of the collar **608** that engages an internal thread provided on the proximal end **656** of the tube **614**. The proximal end **602** of the instrument body **601** further includes a flange **615** having an outer diameter greater than the outer diameter of the collar **608**. The proximal end **656** of the tube **614** may be advanced into contact with the flange **615**, as illustrated in FIGS. **17B-D**.

The distal end **604** of the anchor connection instrument **600** includes two spaced-apart arms **617A**, **617B** that are sized and shaped to fit within the rod receiving slot **31** of the bone anchor **16**. For example, the distal end of the arms **617A**, **617B** are generally arcuate in shape having a curvature approximating the curvature of the rod contacting surfaces of the rod receiving slot **31**.

The exemplary anchor connection instrument **600** further includes a first member **620A** that is adjustable relative to the instrument body **601** of the instrument **600**. For example, the first member **620A** may be pivotally connected to the instrument body **601** and may be pivotable between a release position, in which the distal end **622A** of the first member **620A** is pivoted away from the instrument body to facilitate removal of the instrument **600** from the proximal end **30** of the bone anchor, and a connect position in which the distal end **622A** of the first member **620A** is pivoted toward the instrument body and the distal end **622A** can engage the proximal end **30** of the bone anchor **16** to connect the instrument **600** to the bone anchor **16**. The first member **620A** is connected to the instrument body **601** by a pivot pin **619** positioned between the proximal handle **626A** of the first member **620A** and the distal end **622A** of the first member **620A**. A spring **621** or other biasing mechanism may be interposed between the instrument body **601** and the first member **620A** to bias the first member **620A** to the connect position. The distal end **622A** of the first member **620A** includes a ramped surface **623A** that is effective to pivot the distal end **622A** away from the instrument body **601**, toward the release position, as the distal end **622A** is advanced distally into engagement with the proximal end **30** of the bone anchor **16**. The distal end **622A** may include a feature, such as a projection, for engaging one of the slots **35** provided on the proximal end **30** of the bone anchor **16**. In the exemplary embodiment, the proximal terminus of the ramped surface **623A** engages one of the slots **35** provided on the proximal end **30** of the bone anchor **16**. In alternative embodiments, the instrument **600** may include a second member, analogous in construction to the first member **620A**, pivotally connected to the instrument body **601** at a location diametrically opposed to the first member **620A** for engaging a second one of the slots **35** on the bone anchor **16**.

The proximal end **656** of the cement delivery tube **614** is generally annular in shape and includes an internal thread for engaging the pin **610** provided on the collar **608** of the instrument body. The proximal end **656** thus may be rotated into and out of engagement with the collar **608** of the instrument body **601** to thereby connect the tube **614** to the instrument **600** and position the distal end **654** of the tube **614** within the channel **34** of the bone anchor **16**. The proximal end **656** of the tube **614** may also include a luer lock connector or other connector to connect the tube **614** to the cement delivery system **18**.

In use, the cement delivery tube **614** may be connected to the anchor connection instrument **600**. The instrument **600** may be connected to a bone anchor **16** by advancing the

15

arms 617A, 617B into the rod receiving slot 31 of the proximal end 30 of the bone anchor 16. During this advancement, the ramped surface 623A of the distal end 622A of the first member 620A engages the outer surface of the proximal end 30 of the bone anchor 16 causing the first member 620A to pivot from the connect position toward the release position against the spring force provided by spring 621. When the arms 617A, 617B are seated in the rod receiving slot, the proximal terminus of the ramped surface 623A snaps into the groove 35 to thereby connect the anchor connection instrument 600 and the cement delivery tube 614 to the bone anchor 16. Cement from the cement delivery system 18 may then be provided to the bone anchor 16 through the tube 614.

In procedures in which multiple bone anchors are employed, a plurality of anchor connection instruments, including anchor connection instrument 600, may be connected to some or all of the bone anchors. A single cement delivery tube, such as a cement delivery tube 614, may be used to provide a connection to the cement delivery system 18 and deliver cement to the plurality of bone anchors. For example, the cement delivery tube 614 may be connected to a first anchor connection instrument 600 connected to a first bone anchor and cement delivered to the first bone anchor. The cement delivery tube 614 may be disconnected from the first anchor connection instrument, while remaining connected to the cement delivery system 18, and connected to a second anchor connection instrument connected to a second bone anchor. Once the desired amount of cement is delivered to the second bone anchor, the cement delivery tube 614 may be disconnected from the second anchor connection instrument 600 and the above process may be repeated for other anchor connection instruments connected to the other bone anchors. Thus, a system for delivering cement to a plurality of bone anchors may include a plurality of anchor connection instruments 600 and a cement delivery tube 614 connectable to each of the plurality of anchor connection instruments 600.

Alternatively, the anchor connection instrument 600 and the cement delivery tube 614 can be collectively connected and disconnected as a single unit from a plurality of bone anchors in the manner described above in connection instrument 12 and tube 14.

FIGS. 18A-18E illustrate another exemplary embodiment of a system for delivering bone cement or other material to a bone anchor. The exemplary system includes an anchor connection instrument 700 that is analogous in construction to the anchor connection instrument 600 described above except that the distal end 704 of the instrument body 701 includes a connection member 705 that is longitudinally adjustable relative to the instrument body 701. In the exemplary instrument 700, the distal end 704 of the instrument body 701 includes floating connection member 705 having a generally cylindrical body 707 and an enlarged distal end 709 configured to be seated in the rod receiving slot 31 of the proximal end 30 of the bone anchor 16. The connection member 705 is positioned within the central passage 706 of the instrument body 701 and movable along the length of the central passage 706 relative to the instrument body 701 between an extended position in which the distal end 709 of the connection member 705 is extended distally away from the instrument body 701 and a retracted position in which the distal end 709 of the connection member 705 is positioned proximate the instrument body. FIG. 18A illustrates the connection member 705 in the extended position. FIGS. 18B-D illustrate the connection member 705 in the retracted position. A spring 711 or other biasing member may be provided to bias the connection member 705 into the

16

extended position. The connection member 705 and the instrument body 701 may include a retaining feature to inhibit separation of the connection member 705 from the instrument body 701. For example, the instrument body 701 may include one or more projections, e.g. pins 713A, B, that project into the central passage 706 of the instrument body 701 and engage the connection member 705. For example, the pins 713A, 713B may be seated in longitudinal slots 771 provided on diametrically opposed locations of the connection member 705.

The enlarged distal end 709 of the connection member 705 may have an arcuate contact surface 773 sized to span the length of the rod receiving slot 31 of the bone anchor 16. The arcuate contact surface 773 may have a curvature that is approximately equal to the curvature of the rod contacting surfaces of the rod receiving slot 31 of the proximal end 30 of the bone anchor 16. In addition, the arcuate contact surface 773 may have a curvature that is approximately equal to the curvature of the rod to be positioned within the rod receiving slot 31 of the proximal end 30 of the bone anchor 16.

In use, the instrument 700 may be connected to the bone anchor 12 by positioning the connection member 705 of the instrument 700, in the extended position, into the rod receiving slot 31 of the proximal end 30 of the bone anchor 16, as illustrated in FIG. 18A. Preferably, the cement delivery tube 614 is connected to the instrument 700 prior to connecting the instrument 700 to the bone anchor 16. The distal end 654 of the cement delivery tube 614 is positioned within the connection member 705 such that only a portion of the distal end 654 if the tube 614 extends beyond the arcuate contact surface 773. The connection member 705 thereby serves to shield the tube 614 during the connection process while concomitantly permitting adjustment of the proximal end 30 of the bone anchor 16 relative to the bone engaging portion 32 of the bone anchor 16. This adjustability facilitates alignment of the distal end 654 of the tube 614 with the passage 34 of the bone anchor 16. As the connection instrument 700 is advanced distally relative to the bone anchor 16 to connect to the bone anchor 16, the connection member 705 is adjusted to the retracted position thereby exposing more of the tube 614 for insertion into the passage 34 of the bone anchor 16.

FIGS. 19A-19E illustrate another exemplary embodiment of a system for delivering bone cement or other material to a bone anchor. In the exemplary system, an anchor connection instrument 700 is configured to be positioned through a tubular screw extension connected to the bone anchor 16. The screw extension may be a minimally invasive screw extension such as the open screw extension 516 described above in connection with FIGS. 13A-15, or may be the closed minimally invasive screw extension 517 illustrated in FIGS. 19A-19E. The minimally invasive screw extension may be connected to the bone anchor 30 and may be used to percutaneously place a bone anchor, such as bone anchor 16, over a guide wire in a minimally invasive procedure.

The exemplary anchor connection instrument 800 includes a generally tubular instrument body 802 having a proximal end 806 for connection to the proximal end of a cement delivery tube, such as the proximal end 856 of the cement delivery tube 814, a distal end 804 configured to connect to a bone anchor, such as bone anchor 30, and a central passage spanning from the proximal end 806 to the distal end 804 through which the cement delivery tube may be delivered to the bone anchor. The proximal end 806 of the instrument 800 may include an annular collar 808 having an annular side wall spaced apart from the outer wall of the

tubular instrument body **802**. The annular collar **808** may be positioned about the screw extension and optionally may include a connection feature, such as a projection or a groove, to connect with a mating connection feature on the proximal end of the screw extension **517**. The proximal end **806** may also include a connection feature to permit the proximal end of the cement delivery tube to be connected to the instrument **800**. In the exemplary embodiment, for example, the proximal end **806** of the instrument body **802** includes an annular groove **809** for receiving the prongs **882A**, **882B** of the proximal end **856** of the cement delivery tube **814**.

The distal end **804** of the instrument body **802** may include a first connection feature for connecting to the proximal end **30** of the bone anchor **16** and a second connection feature to connect with the bone engaging portion **32** of the bone anchor **16**. The first connection feature **810**, in the exemplary embodiment, is an externally threaded section **810** that threadingly engages the internal thread **33** provided on the proximal portion **30** of the bone anchor **16** to receive a closure mechanism. The second connection feature is a drive tip **812** that engages the drive feature provided on the proximal head of the bone engaging portion **32** to permit the bone engaging portion **32** to be anchored into bone. The first connection feature and the second connection feature permit the instrument **800** to hold the proximal rod receiving portion **30** of the bone anchor **16** relative to the bone engaging portion **32** of the bone anchor **16** which allows the distal tip **854** of the cement delivery tube **814** to be more easily placed in the passage **34** of the bone anchor **16**.

The exemplary cement delivery tube **814** includes a proximal end **856** configured to connect to the proximal end **806** of the instrument **800** and to the cement delivery system **18** and a distal end **854** sized to be positioned within the passage **34** of the bone anchor **16** and deliver cement from the cement delivery system **18** to the bone anchor **16**. The proximal end **856** includes a connection feature for connecting to a mating connection feature on the proximal end **806** of the instrument **800**. For example, the proximal end **856** of the exemplary tube **814** includes two spaced-apart flexible, resilient prongs **882A**, **882B** that may be snapped into the groove **809** on the proximal end **806** of the instrument **800**. The proximal ends **884A**, **884B** of the prongs **882A**, **882B** may be compressed together to release the distal ends **886A**, **886B** of the prongs from the groove **809**. In addition, the tube **814** may include a connection feature, such as a **[leur]** luer lock connector, to connect the tube **814** to the cement delivery system **18**.

Referring to FIG. **19E**, the cement delivery tube **814** may taper from an increased inner diameter at the proximal end to **856** a reduced diameter at the distal end **854** to maximize the flow of cement within the tube **814** and thereby extend the working time of the cement. In the exemplary embodiment, for example, the tube **814** includes a first section **890**, a second section **892** distal to the first section **890**, and a third section **894** distal to the second section **892**. The first section **890** has a first inner diameter that is greater than the second inner diameter of the second section **892**, which is greater than the third inner diameter of the third section **894**. A first tapering section **896** interposed between the first section **890** and the second section **892** provides a tapering inner diameter from the first diameter to the second diameter. A second tapering section **898** interposed between the second section **892** and the third section **894** provides a tapering inner diameter from the second diameter to the third diameter. Any number of different diameter sections may be

provided. Alternatively, the inner diameter of the tube may taper continuously from a diameter at the proximal end **856** to a second diameter at the distal end **854**.

The exemplary anchor connection instrument **800** and the cement delivery tube **814** may also be used in open procedures or procedures in which a screw extension is not connected to the bone anchor. Referring to FIGS. **20A-E**, for example, the exemplary instrument **800** and the cement delivery tube **814** may be used in connection with a counter-torque instrument **900** which allows the distal end **804** of the instrument **800** to be rotated into engagement with the proximal end **30** of the bone anchor **16**. The counter-torque instrument **900** includes a generally tubular body **902** having a central passage through which the connection instrument **800** and the cement delivery tube **814** may be positioned. The body **902** of the instrument **900** may include a number of slots or openings therein to reduce the weight of the instrument **900** and to facilitate cleaning of the instrument. The distal end **904** of may include two spaced apart, diametrically opposed fingers **904A**, **904B** for positioning within the rod receiving slot **31** of the bone anchor **16**.

In use, fingers **904A**, **904B** of the counter-torque instrument **900** are positioned within the rod receiving slot **31** of the bone anchor **16** during rotational engagement and disengagement of the externally threaded section **810** of the anchor engagement instrument **800** with the internal thread **33** provided on the proximal portion **30** of the bone anchor **16**. The counter-torque instrument **900** prevents rotation of the proximal end **30** of the bone anchor **16** relative to the anchor connection instrument **800**.

In open procedures, the length of the counter-torque instrument **900** and the anchor connection instrument **800** may be reduced, as illustrated in FIG. **21**. FIG. **21** further illustrates another exemplary embodiment of a bone cement delivery tube **916** having a connection feature that permits the proximal end **956** of the tube **914** to be internally connected to the collar **808** of the anchor connection instrument **800**. The connection feature, in the illustrated embodiment, includes one or more flexible, resilient prongs **959** that snap fit into a groove or opening in the inner wall of the collar **808**. The distal end of the bone cement delivery tube may be configured to occlude a portion of the passage **34** in the bone anchor **16** to direct bone cement through selective openings **36** in the bone anchor **16**. In one exemplary embodiment, the distal end of a bone cement delivery tube (e.g., tube **14**, tube **614**, tube **814**, or tube **914**) may be configured to occlude the distal end of the passage **34** thereby directing cement through only the openings **36** in the side wall of the bone engaging portion **32**. The distal end **54** of the cement delivery tube **14** may include occlusion **1002** that prevents further cement flow and one or more slots or openings in the sidewall of the tube **14** that permit cement flow from the sidewalls rather than through a distal opening in the tube **14**. In the exemplary embodiment, two diametrically opposed slots **1004A**, **1004B** are provided. The size, shape, and position of the slots may be varied depending on the desired cement flow.

In an alternative embodiment illustrated in FIG. **23**, the distal end **54** of a bone cement delivery tube **14** may include an occlusion in the form of a plug **1006** spaced from the distal opening **1008** in the tube **14** by a wire or other reduced diameter structure **1010**. The plug **1006** may have any shape suitable to occlude the passage **34** in the bone anchor **16**. The plug **1006**, in the exemplary embodiment, is generally spherical in shape.

The distal end of a bone cement delivery tube may be flexible to facilitate placement of the tube in the passage **34**

of the bone anchor 16. For example, the distal end 1054 of an exemplary cement delivery tube 1104 may include lengthwise sections of increased flexibility, as illustrated in FIG. 24A. The distal end 1054 of the exemplary tube 1104 includes a first lengthwise section 1056 and a second lengthwise section 1058 connected to and distal from the first section 1056. The first section 1056 may be constructed from a material having increased flexibility compared to the second section 1058 and compared to the proximal section 1050. For example, the first section 1056 may be constructed of a flexible polymer material, the second section 1058 may be constructed from a stiffer material, such as a metal (e.g., stainless steel), and the proximal section 1050 may be constructed of a stiffer material and/or have an increased wall thickness providing increased stiffness. Any number of lengthwise sections constructed from materials of differing flexibility may be provided. In an alternative embodiment of a bone cement delivery tube 1114, the continuous length of the distal end 1154 of the tube may be constructed from a flexible material while the proximal end 1150 of the tube 1114 may be constructed of from a stiffer material, such as a metal (e.g., stainless steel) and/or may have an increased wall thickness to provide increased stiffness.

While the systems and methods of the present invention have been particularly shown and described with reference to the exemplary embodiments thereof, those of ordinary skill in the art will understand that various changes may be made in the form and details herein without departing from the spirit and scope of the present invention. Those of ordinary skill in the art will recognize or be able to ascertain many equivalents to the exemplary embodiments described specifically herein by using no more than routine experimentation. Such equivalents are intended to be encompassed by the scope of the present invention and the appended claims.

The invention claimed is:

1. A method of delivering cement to a spinal anchor anchored in a vertebra of a patient, the method comprising: advancing a distal end of [an] a *single-piece* anchor connection instrument through an opening in a proximal portion of a spinal anchor, the proximal portion of the spinal anchor having a slot for receiving a spinal rod and a thread for receiving a closure mechanism for securing the rod in the proximal portion, the distal end of the anchor [connecting] *connection* instrument including a first connection feature spaced apart from a second connection feature, the first connection feature comprising an external thread, the second connection feature comprising a drive tip located at a distal tip of the distal end of the anchor connection instrument, advancing the drive tip of the anchor connection instrument into a drive feature at a proximal opening in a passage formed in a distal bone engaging portion of the spinal anchor, the passage communicating with the opening in the proximal portion of the spinal anchor, rotating the first connection feature to engage the external thread of the first connection feature with the thread on the proximal portion of the spinal anchor, the first connection feature being positioned between the proximal end and the distal end of the anchor connection instrument a distance from the drive tip, the distance selected to allow the drive tip to be advanced into the drive feature of the distal bone engaging portion of the spinal anchor when the first connection feature engages the proximal portion of the spinal anchor, the anchor connection instrument holding the proximal portion of the spinal anchor relative to the distal bone engaging

portion of the spinal anchor when the first connection feature engages the proximal portion of the spinal anchor and the second connection feature is advanced into the drive feature of the distal bone engaging portion of the spinal anchor, positioning a bone cement delivery tube through the anchor connection instrument, advancing a distal end of the bone cement delivery tube into the passage of the distal bone engaging portion of the spinal anchor, connecting a proximal end of the bone cement delivery tube to a bone cement delivery system, and injecting cement into the passage of distal bone engaging portion of the spinal anchor through the bone cement delivery tube.

2. The method of claim 1, wherein at least a portion the bone cement delivery system is positioned outside of a fluoroscopic imaging field about the patient.

3. The method of claim 1, further comprising removing the anchor connection instrument and the bone cement delivery tube from the spinal anchor, advancing a distal end of the anchor connection instrument through an opening in a proximal portion of a second spinal anchor, advancing the drive tip of the anchor connection instrument into a drive feature at a proximal opening in a passage formed in a distal bone engaging portion of the second spinal anchor, the passage communicating with the opening in the proximal portion of the second spinal anchor, rotating the first connection feature to engage the external thread of the first connection feature with the thread on the proximal portion of the second spinal anchor, positioning the bone cement delivery tube through the anchor connection instrument, advancing the distal end of the bone cement delivery tube into the passage of the distal bone engaging portion of the second spinal anchor, and injecting cement into the passage of distal bone engaging portion of second the spinal anchor through the bone cement delivery tube.

4. The method of claim 1, wherein the thread of the first connection feature is interrupted at two spaced apart, opposed unthreaded sections and further comprising inserting the first connection feature into the proximal portion of the bone anchor with the unthread sections facing the thread, and rotating the first connection feature to engage the thread on the first connection feature with the thread on the proximal portion of the bone anchor.

5. The method of claim 1, further comprising connecting a spinal rod to the proximal portion of the bone anchor after injecting cement into spinal anchor.

6. The method of claim 5, further comprising connecting a connection mechanism to the proximal end of the bone anchor to capture to the spinal rod to the spinal anchor.

7. *The method of claim 1, further comprising placing a tubular member having a proximal end, a distal end, and a central passage extending therethrough, such that fingers extending from the distal end of the tubular member about the proximal portion of the bone anchor to provide a counter torque.*

8. *A method of delivering cement to a spinal anchor anchored in a vertebra of a patient, the method comprising: advancing a distal end of an anchor connection instrument through an opening in a proximal portion of a spinal anchor, the proximal portion of the spinal*

anchor having a slot for receiving a spinal rod and a thread for receiving a closure mechanism for securing the rod in the proximal portion, the distal end of the anchor connection instrument including a first connection feature spaced apart from a second connection feature, the first connection feature comprising an external thread, the second connection feature comprising a drive tip located at a distal tip of the distal end of the anchor connection instrument,

advancing the drive tip of the anchor connection instrument into a drive feature at a proximal opening in a passage formed in a distal bone engaging portion of the spinal anchor, the passage communicating with the opening in the proximal portion of the spinal anchor, rotating the first connection feature to engage the external thread of the first connection feature with the thread on the proximal portion of the spinal anchor, the first connection feature being positioned between the proximal end and the distal end of the anchor connection instrument a distance from the drive tip, the distance selected to allow the drive tip to be advanced into the drive feature of the distal bone engaging portion of the spinal anchor when the first connection feature engages the proximal portion of the spinal anchor, the anchor connection instrument holding the proximal portion of the spinal anchor relative to the distal bone engaging portion of the spinal anchor when the first connection feature engages the proximal portion of the spinal anchor and the second connection feature is advanced into the drive feature of the distal bone engaging portion of the spinal anchor

positioning a bone cement delivery tube through the anchor connection instrument,

advancing a distal end of the bone cement delivery tube into the passage of the distal bone engaging portion of the spinal anchor, and

injecting cement into the passage of the distal bone engaging portion of the spinal anchor through the bone cement delivery tube,

wherein the first connection feature and the second connection feature are advanced simultaneously.

9. The method of claim 8, wherein the bone cement delivery tube is connected to a bone cement delivery system, at least a portion of which is positioned outside of a fluoroscopic imaging field about the patient.

10. The method of claim 8, further comprising removing the anchor connection instrument and the bone cement delivery tube from the spinal anchor,

advancing the distal end of the anchor connection instrument through an opening in a proximal portion of a second spinal anchor,

advancing the drive tip of the anchor connection instrument into a drive feature at a proximal opening in a passage formed in a distal bone engaging portion of the second spinal anchor, the passage communicating with the opening in the proximal portion of the second spinal anchor,

rotating the first connection feature to engage the external thread of the first connection feature with the thread on the proximal portion of the second spinal anchor,

positioning the bone cement delivery tube through the anchor connection instrument, advancing the distal end of the bone cement delivery tube into the passage of the distal bone engaging portion of the second spinal anchor, and

injecting cement into the passage of the distal bone engaging portion of the second spinal anchor through the bone cement delivery tube.

11. The method of claim 8, wherein the external thread of the first connection feature is interrupted at two spaced apart, opposed unthreaded sections and further comprising inserting the first connection feature into the proximal portion of the spinal anchor with the unthreaded sections facing the thread of the proximal portion of the spinal anchor, and

rotating the first connection feature to engage the external thread of the first connection feature with the thread of the proximal portion of the spinal anchor.

12. The method of claim 8, further comprising connecting a spinal rod to the proximal portion of the spinal anchor after injecting cement into the spinal anchor.

13. The method of claim 12, further comprising connecting a closure mechanism to the proximal end of the spinal anchor to capture the spinal rod to the spinal anchor.

14. The method of claim 8, wherein the anchor connection instrument is inserted through a tubular screw extension attached to the spinal anchor.

15. The method of claim 8, wherein the anchor connection instrument comprises a tubular instrument body having a protruding annular portion at a proximal end thereof.

16. The method of claim 8, wherein the anchor connection instrument includes a connecting feature comprising an annular groove at the proximal end of the anchor connection instrument.

17. The method of claim 8, wherein the bone cement delivery tube includes a proximal connector for connecting the bone cement delivery tube to a cement delivery system.

18. The method of claim 8, wherein the bone cement delivery tube includes a handle comprising two wings extending laterally-outward from a proximal end of the bone cement delivery tube.

19. The method of claim 18, wherein the bone cement delivery tube includes a connector disposed between the two wings of the handle for connecting the bone cement delivery tube to a reservoir of bone cement.

20. The method of claim 8, further comprising connecting the bone cement delivery tube to a reservoir of bone cement and applying pressure to bone cement in the reservoir to move the bone cement into the bone cement delivery tube.

21. The method of claim 20, wherein the reservoir includes a valve for controlling cement delivery to the cement delivery tube.

22. The method of claim 8, further comprising placing a tubular member having a proximal end, a distal end, and a central passage extending therethrough, such that fingers extending from the distal end of the tubular member about the proximal portion of the bone anchor to provide a counter torque.

23. The method of claim 8, further comprising injecting the cement through openings in a sidewall of the distal bone engaging portion of the spinal anchor and into surrounding bone.

24. A method of delivering cement to a spinal anchor anchored in a vertebra of a patient, the method comprising: advancing a distal end of an anchor connection instrument through an opening in a proximal portion of a spinal anchor, the proximal portion of the spinal anchor having a slot for receiving a spinal rod and a thread for receiving a closure mechanism for securing the rod in the proximal portion, the distal end of the anchor connection instrument including a first connection feature spaced apart from a second connection

feature, the first connection feature comprising an external thread, the second connection feature comprising a drive tip located at a distal tip of the distal end of the anchor connection instrument, advancing the drive tip of the anchor connection instrument into a drive feature at a proximal opening in a passage formed in a distal bone engaging portion of the spinal anchor, the passage communicating with the opening in the proximal portion of the spinal anchor, rotating the first connection feature to engage the external thread of the first connection feature with the thread on the proximal portion of the spinal anchor, the first connection feature being positioned between the proximal end and the distal end of the anchor connection instrument a distance from the drive tip, the distance selected to allow the drive tip to be advanced into the drive feature of the distal bone engaging portion of the spinal anchor when the first connection feature engages the proximal portion of the spinal anchor, the anchor connection instrument holding the proximal portion of the spinal anchor relative to the distal bone engaging portion of the spinal anchor when the first connection feature engages the proximal portion of the spinal anchor and the second connection feature is advanced into the drive feature of the distal bone engaging portion of the spinal anchor positioning a bone cement delivery tube through the anchor connection instrument, placing a distal end of the bone cement delivery tube into fluid communication with the passage of the distal bone engaging portion of the spinal anchor, and injecting cement into the passage of the distal bone engaging portion of the spinal anchor through the bone cement delivery tube, wherein rotating the first connection feature simultaneously rotates the second connection feature.

25. The method of claim 24, wherein the bone cement delivery tube is connected to a bone cement delivery system, at least a portion of which is positioned outside of a fluoroscopic imaging field about the patient.

26. The method of claim 24, further comprising removing the anchor connection instrument and the bone cement delivery tube from the spinal anchor, advancing the distal end of the anchor connection instrument through an opening in a proximal portion of a second spinal anchor, advancing the drive tip of the anchor connection instrument into a drive feature at a proximal opening in a passage formed in a distal bone engaging portion of the second spinal anchor, the passage communicating with the opening in the proximal portion of the second spinal anchor, rotating the first connection feature to engage the external thread of the first connection feature with the thread on the proximal portion of the second spinal anchor, positioning the bone cement delivery tube through the anchor connection instrument, placing the distal end of the bone cement delivery tube into fluid communication with the passage of the distal bone engaging portion of the second spinal anchor, and injecting cement into the passage of the distal bone engaging portion of the second spinal anchor through the bone cement delivery tube.

27. The method of claim 24, wherein the external thread of the first connection feature is interrupted at two spaced apart, opposed unthreaded sections and further comprising

inserting the first connection feature into the proximal portion of the spinal anchor with the unthreaded sections facing the thread of the proximal portion of the spinal anchor, and rotating the first connection feature to engage the external thread of the first connection feature with the thread of the proximal portion of the spinal anchor.

28. The method of claim 24, further comprising connecting a spinal rod to the proximal portion of the spinal anchor after injecting cement into the spinal anchor.

29. The method of claim 28, further comprising connecting a closure mechanism to the proximal end of the spinal anchor to capture the spinal rod to the spinal anchor.

30. The method of claim 24, wherein the anchor connection instrument is inserted through a tubular screw extension attached to the spinal anchor.

31. The method of claim 24, wherein the anchor connection instrument comprises a tubular instrument body having a protruding annular portion at a proximal end thereof.

32. The method of claim 24, wherein the anchor connection instrument includes a connecting feature comprising an annular groove at the proximal end of the anchor connection instrument.

33. The method of claim 24, wherein the bone cement delivery tube includes a proximal connector for connecting the bone cement delivery tube to a cement delivery system.

34. The method of claim 24, wherein the bone cement delivery tube includes a handle comprising two wings extending laterally-outward from a proximal end of the bone cement delivery tube.

35. The method of claim 34, wherein the bone cement delivery tube includes a connector disposed between the two wings of the handle for connecting the bone cement delivery tube to a reservoir of bone cement.

36. The method of claim 24, further comprising connecting the bone cement delivery tube to a reservoir of bone cement and applying pressure to bone cement in the reservoir to move the bone cement into the bone cement delivery tube.

37. The method of claim 36, wherein the reservoir includes a valve for controlling cement delivery to the cement delivery tube.

38. The method of claim 24, further comprising injecting the cement through openings in a sidewall of the distal bone engaging portion of the spinal anchor and into surrounding bone.

39. The method of claim 24, further comprising placing a tubular member having a proximal end, a distal end, and a central passage extending therethrough, such that fingers extending from the distal end of the tubular member about the proximal portion of the bone anchor to provide a counter torque.

40. A bone anchor kit, comprising:
a bone anchor, including:
a proximal portion having a slot for receiving a spinal rod and a thread for receiving a closure mechanism to secure the spinal rod to the proximal portion,
a distal bone engaging portion,
a passage extending into the distal bone engaging portion from a drive interface at a proximal end of the distal bone engaging portion, and
an opening in a sidewall of the distal bone engaging portion, the opening communicating with the passage;

25

a volume of bone cement;
 a reservoir for receiving the volume of bone cement, the reservoir including a valve for controlling flow of the bone cement out of the reservoir;
 a single piece anchor connection instrument having a proximal end, a distal end, and a central passage extending therethrough, the distal end of the anchor connection instrument including a first connection feature spaced apart from a second connection feature, the first connection feature comprising an external thread, the second connection feature comprising a drive tip located at a distal tip of the distal end of the anchor connection instrument, wherein advancing the drive tip of the anchor connection instrument into the drive feature of the bone anchor and threading the external thread of the first connection feature into the thread of the bone anchor holds the proximal portion of the bone anchor relative to the distal bone engaging portion of the bone anchor; and
 a cement delivery tube connectable to the reservoir, the cement delivery tube being positionable within the central passage of the anchor connection instrument and being configured such that, when placed through the anchor connection instrument while the anchor connection instrument is attached to the bone anchor, the cement delivery tube is in fluid communication with the passage of the bone anchor to deliver cement through the passage and through the opening in the sidewall of the bone anchor,

26

wherein the first connection feature and the second connection feature are formed as part of the single piece anchor connection instrument.

41. The kit of claim 40, wherein the anchor connection instrument comprises a tubular instrument body having a proximal portion with an enlarged outside diameter.

42. The kit of claim 40, wherein the cement delivery tube includes a handle comprising two wings extending laterally-outward from a proximal end of the cement delivery tube.

43. The kit of claim 40, wherein the anchor connection instrument includes a connecting feature comprising an annular groove at the proximal end of the anchor connection instrument.

44. The kit of claim 40, wherein the cement delivery tube includes a connector disposed between the two wings of the handle for connecting the cement delivery tube to the reservoir.

45. The kit of claim 40, wherein the external thread of the first connection feature is interrupted at two spaced apart, opposed unthreaded sections.

46. The kit of claim 40, further comprising a tubular member having a proximal end, a distal end, and a central passage extending therethrough, wherein the distal end of the tubular member has fingers extending therefrom, the fingers configured to abut against the proximal portion of the bone anchor to provide a counter torque.

* * * * *