



US00RE47821E

(19) **United States**
(12) **Reissued Patent**
Barenbrug et al.

(10) **Patent Number:** **US RE47,821 E**
(45) **Date of Reissued Patent:** **Jan. 21, 2020**

(54) **RIM COVER**

(71) Applicant: **Royalty Bugaboo GmbH**, Zug (CH)

(72) Inventors: **Max Barenbrug**, Amsterdam (NL);
Marco Willem Hendricus Nieuwenhuizen, Bussum (NL); **Joris Jeroen Schubert**, Uitgeest (NL)

(73) Assignee: **Royalty Bugaboo GmbH**, Zug (CH)

(21) Appl. No.: **29/662,749**

(22) Filed: **Sep. 7, 2018**

Related U.S. Patent Documents

Reissue of:

(64) Patent No.: **Des. 785,511**
Issued: **May 2, 2017**
Appl. No.: **29/521,190**
Filed: **Mar. 20, 2015**

(30) **Foreign Application Priority Data**

Nov. 19, 2014 (EM) 002581058

(51) **LOC (12) Cl.** **12-12**

(52) **U.S. Cl.**
USPC **D12/133**

(58) **Field of Classification Search**

USPC D12/204, 208, 209, 211, 129, 130, 131,
D12/132, 133; D3/318
CPC B62B 7/00; B62B 7/01; B62B 7/02; B62B
7/03; B62B 7/04; B62B 9/00; B62B 5/00;
B60B 9/26

See application file for complete search history.

(56) **References Cited**

U.S. PATENT DOCUMENTS

D326,838 S * 6/1992 Julien D12/211
D359,939 S * 7/1995 Chien D12/133
D388,749 S * 1/1998 Kiser D12/211
D389,101 S * 1/1998 Julien D12/209

(Continued)

Primary Examiner — Philip S Hyder

(74) *Attorney, Agent, or Firm* — Fross Zelnick Lehrman & Zissu, P.C.; Charles T. J. Weigell, Esq.

(57) **CLAIM**

The ornamental design for a rim cover, as shown and described.

DESCRIPTION

[FIG. 1 is a front perspective view of a rim cover with wheel showing the new design;]

[FIG. 2 is a front view thereof;]

[FIG. 3 is a rear view thereof;]

[FIG. 4 is a right side view thereof;]

[FIG. 5 is a left side view thereof;]

[FIG. 6 is a top view thereof;]

[FIG. 7 is a bottom view thereof; and]

FIG. 8 is a front perspective view of a rim cover without wheel showing the new design;

FIG. 9 is a front view thereof;

FIG. 10 is a rear view thereof;

FIG. 11 is a right side view thereof;

FIG. 12 is a left side view thereof;

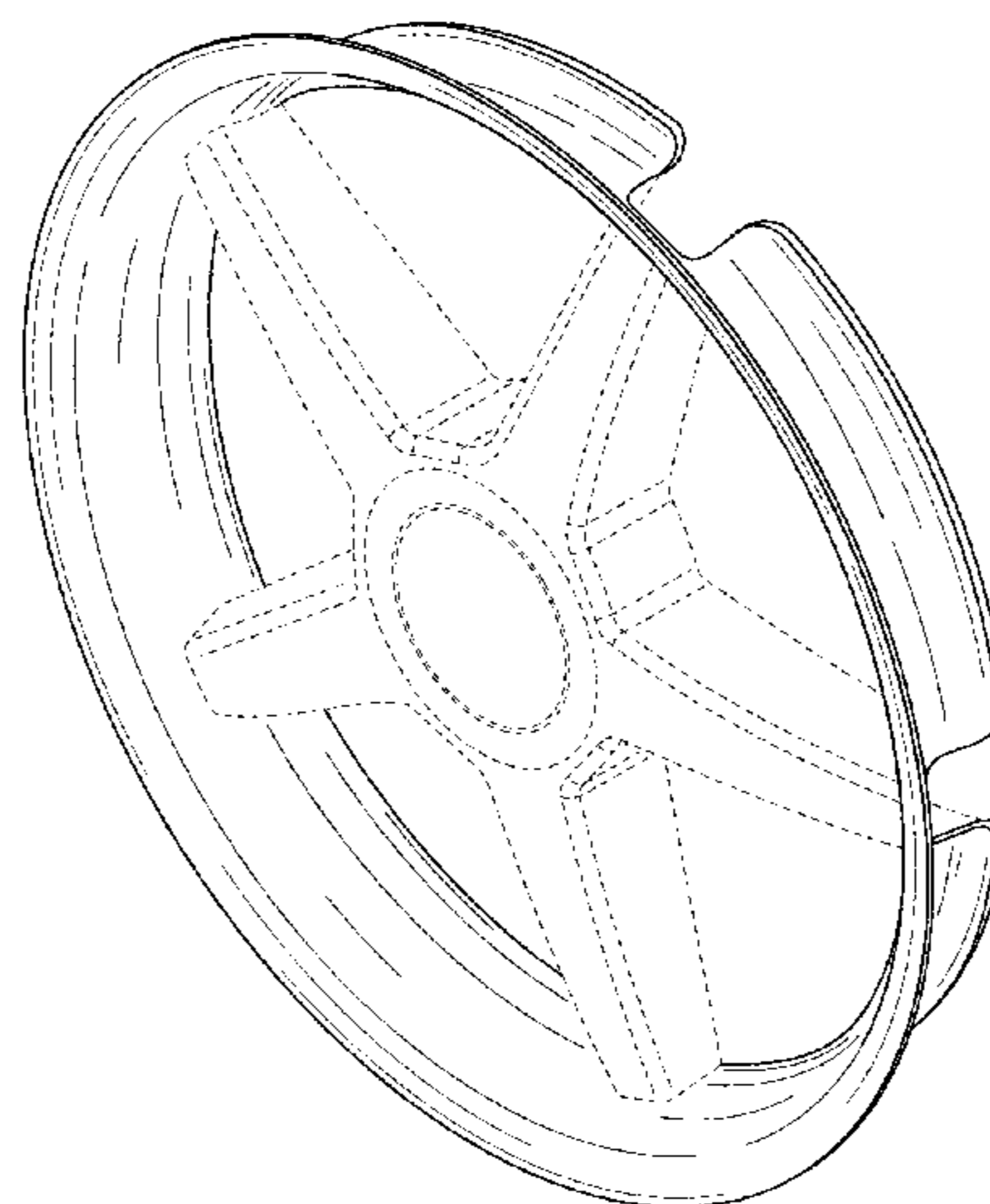
FIG. 13 is a top view thereof; and,

FIG. 14 is a bottom view thereof.

The broken line showing of the hub [in FIGS. 3 and 10] and spokes reflects unclaimed subject matter.

1 Claim, 9 Drawing Sheets

Matter enclosed in heavy brackets [] appears in the original patent but forms no part of this reissue; matter printed in italics indicates the additions made by reissue.



(Amended)

(56)

References Cited

U.S. PATENT DOCUMENTS

D398,894	S *	9/1998	Kelley	D12/208
D414,453	S *	9/1999	Tsai	D12/133
D421,941	S *	3/2000	Cheng	D12/209
D421,946	S *	3/2000	Drone	D12/190
D428,593	S *	7/2000	Julien	D12/209
D432,067	S *	10/2000	Tsai	D12/209
D435,974	S	1/2001	Hsu et al.		
D436,908	S *	1/2001	Yeh	D12/209
D437,281	S *	2/2001	Chen	D12/211
D439,875	S *	4/2001	Zemlicka	D12/208
D445,389	S *	7/2001	Stach	D12/209
D453,132	S *	1/2002	Chen	D12/209
D455,693	S *	4/2002	Sato	D12/209
D473,379	S *	4/2003	Moon	D3/318
D477,261	S *	7/2003	Lin	D12/133
D501,813	S *	2/2005	Ikeda	D12/208
D508,005	S *	8/2005	Ikeda	D12/208
D511,488	S *	11/2005	Hou	D12/209
D524,196	S *	7/2006	You	D12/133
D583,300	S *	12/2008	Rancati	D12/133
D592,042	S *	5/2009	Brodbeck	D8/375
D602,405	S *	10/2009	Skafdrup	D12/128
D616,339	S *	5/2010	Kho	D12/129
D667,349	S *	9/2012	Jurkiewicz	D12/133
D673,091	S *	12/2012	Li	D12/208
8,967,647	B1 *	3/2015	Bastien	B62B 9/18 280/124.127
D739,794	S *	9/2015	Juskowich	D12/133
D739,795	S *	9/2015	Juskowich	D12/133
D757,892	S *	5/2016	Walker	D23/213
2013/0069334	A1 *	3/2013	Li	B60G 3/02 280/124.128

* cited by examiner

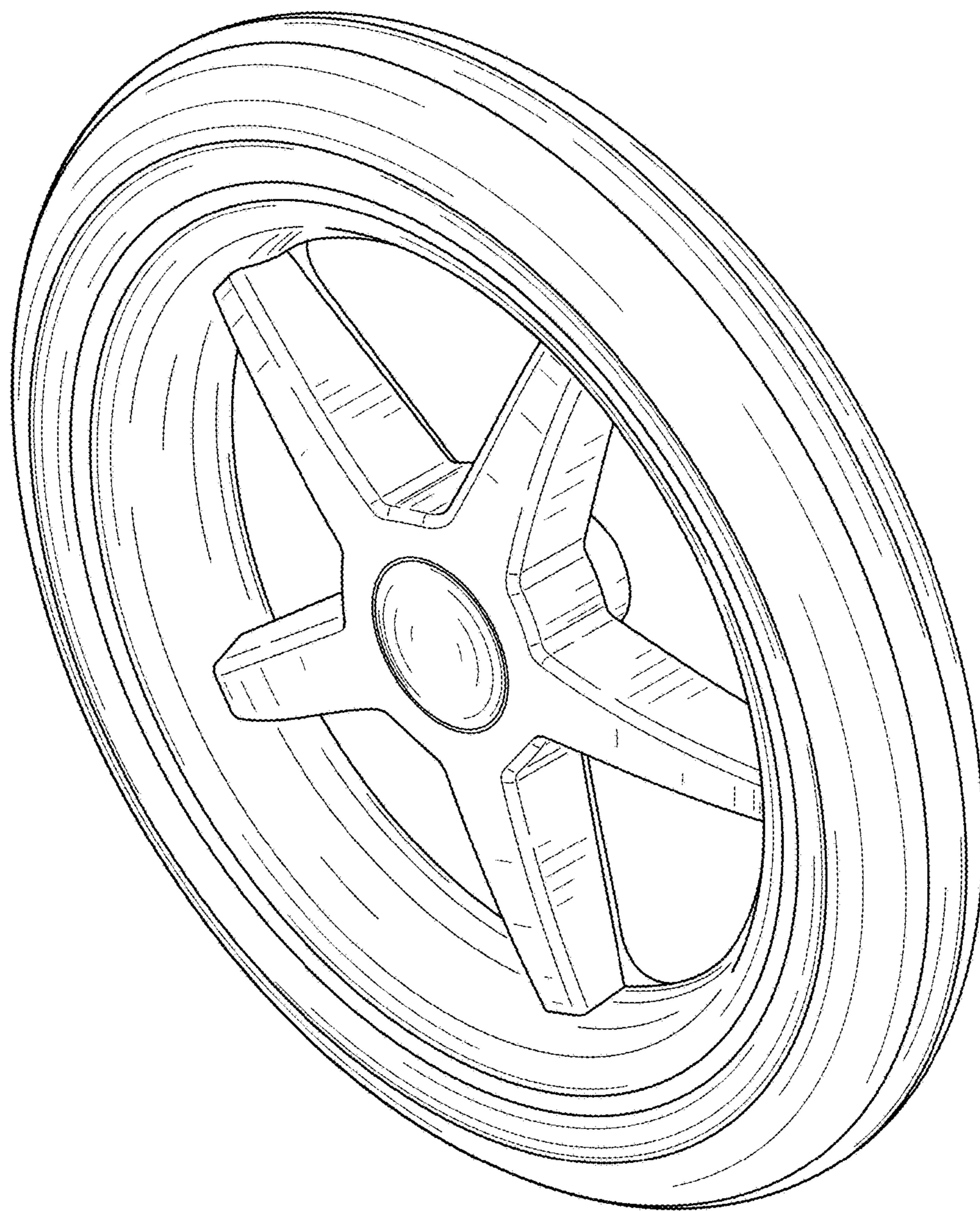


FIG. 1 (Canceled)

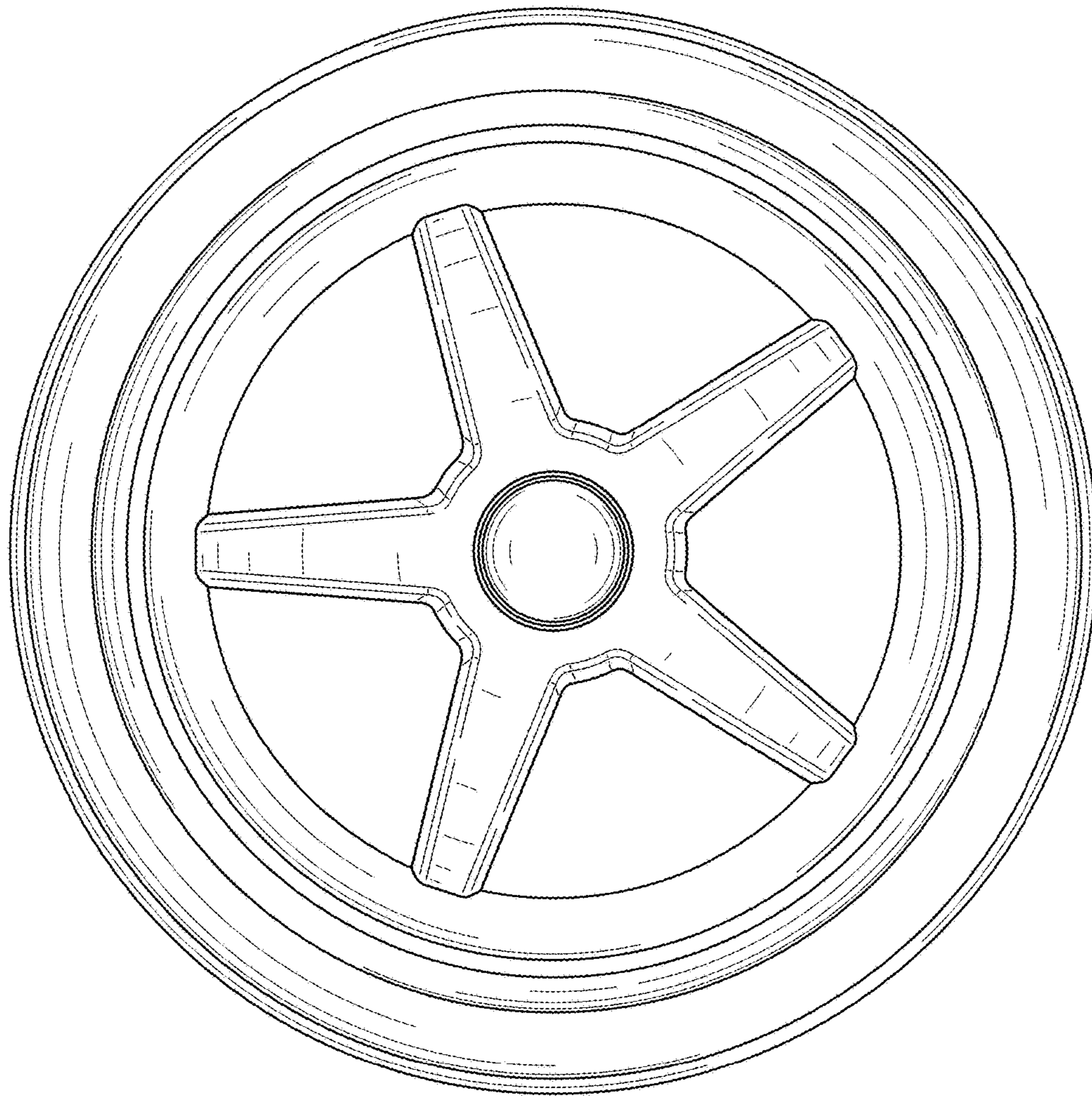


FIG. 2 (Canceled)

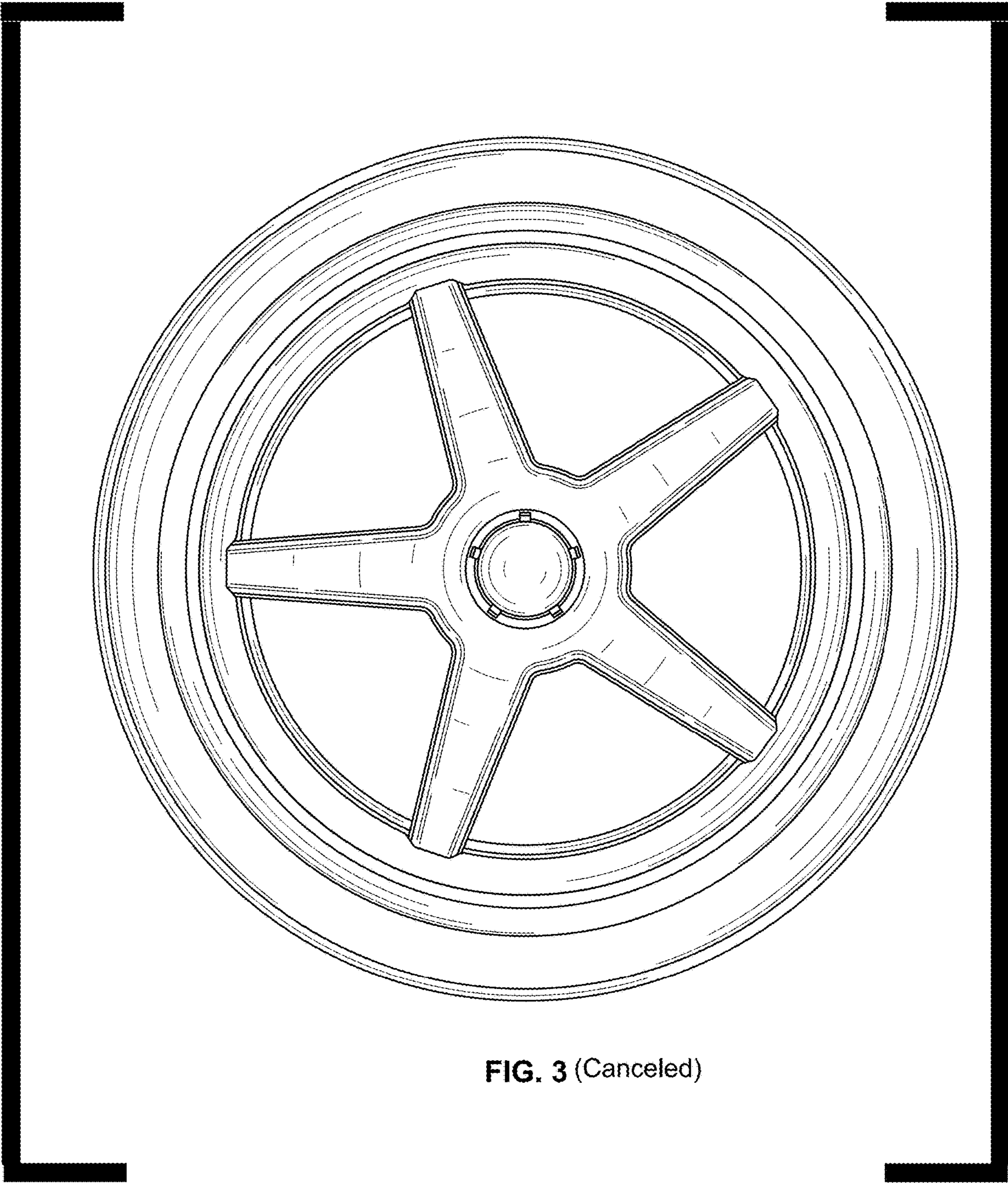


FIG. 3 (Canceled)

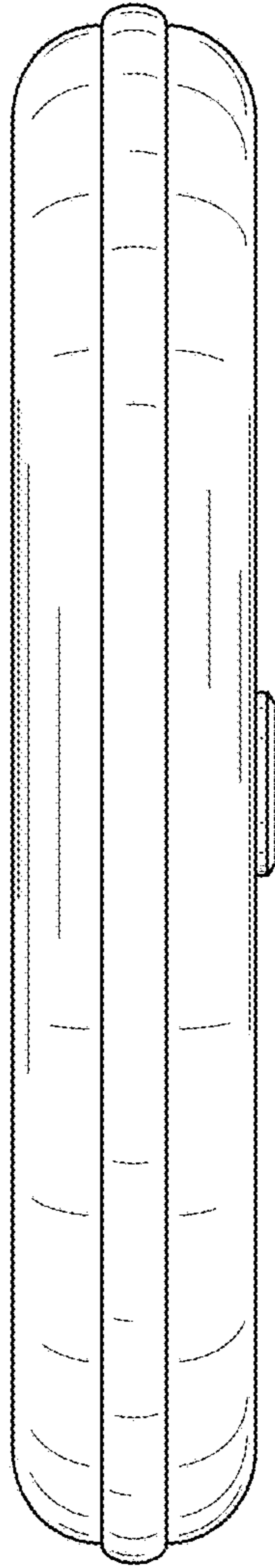


FIG. 4 (Canceled)

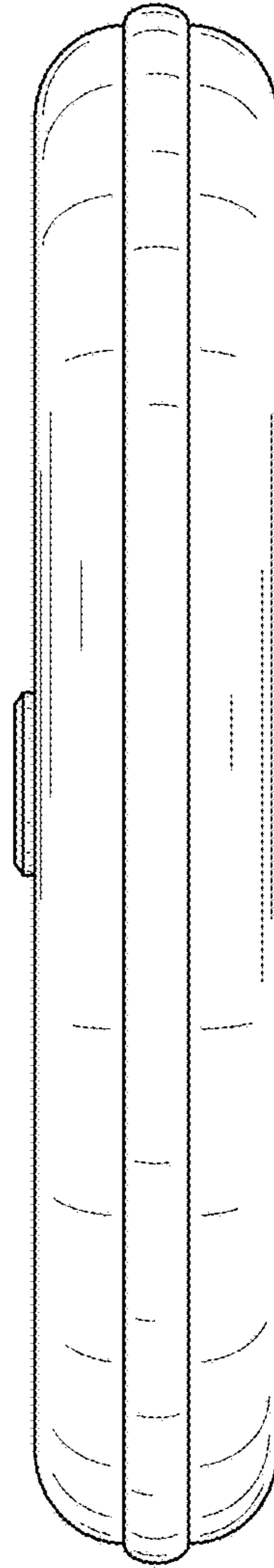


FIG. 5 (Canceled)

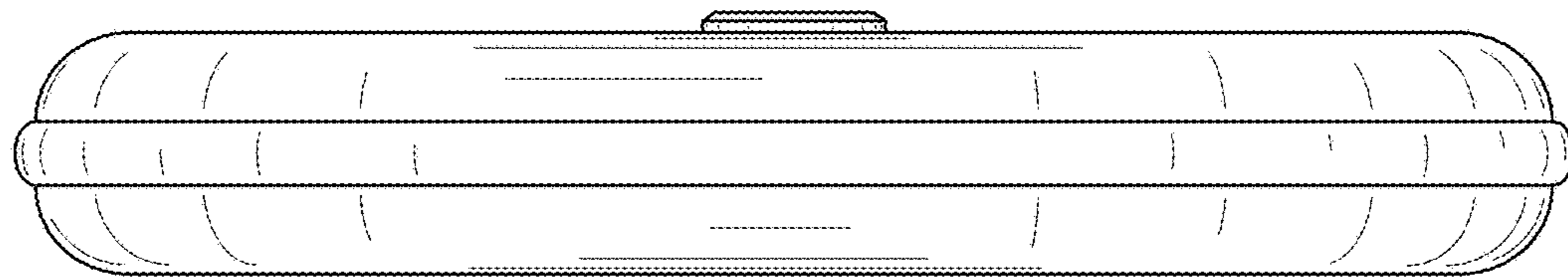


FIG. 6 (Canceled)

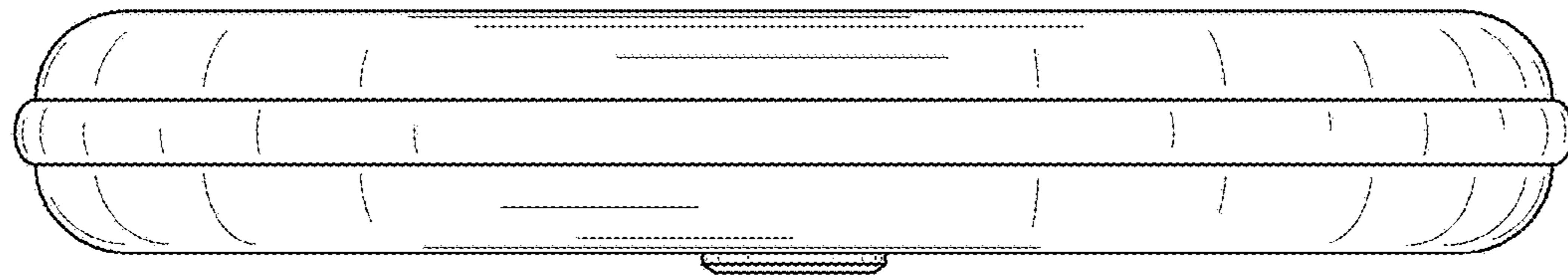


FIG. 7 (Canceled)

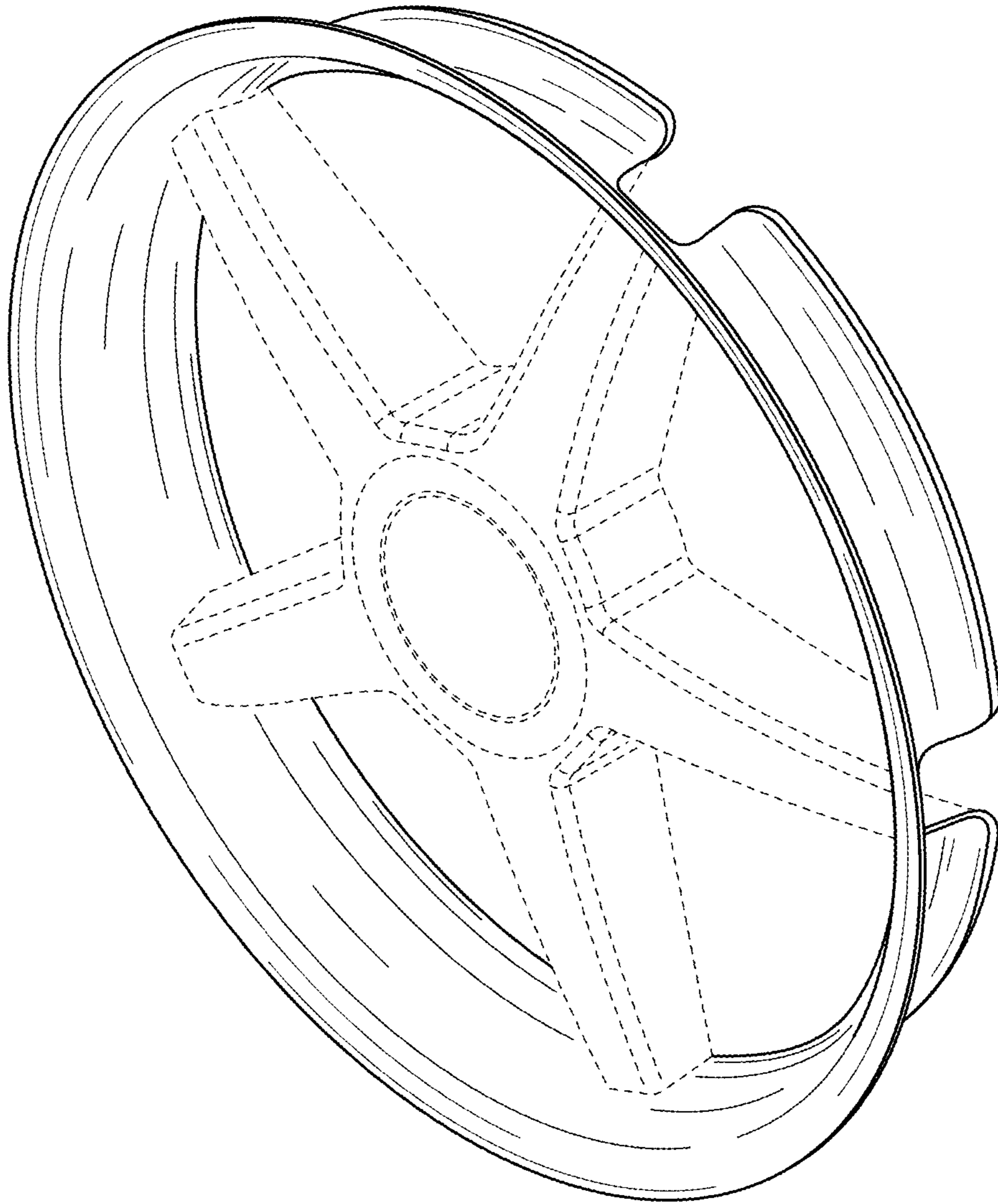


FIG. 8 (Amended)

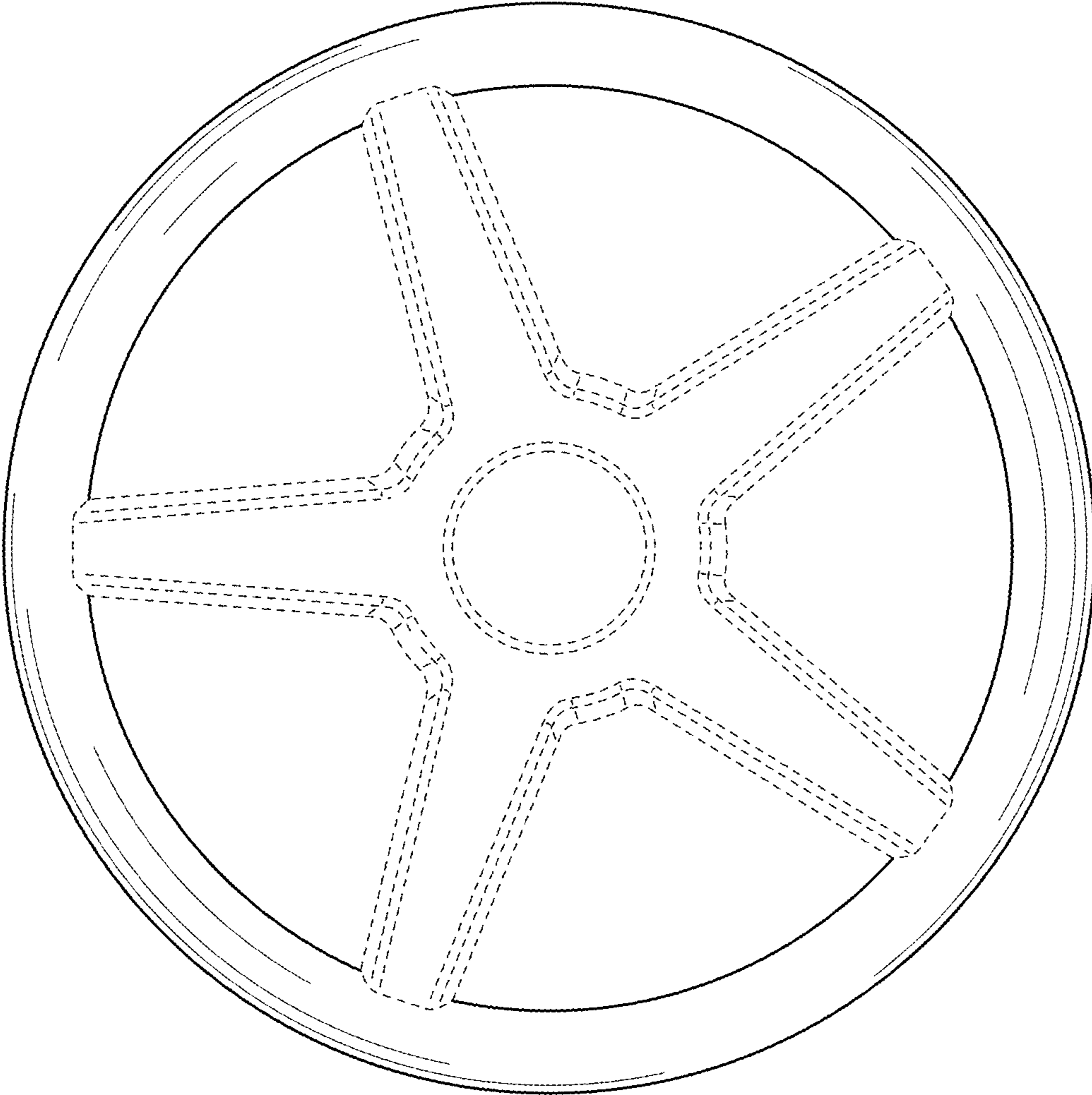


FIG. 9 (Amended)

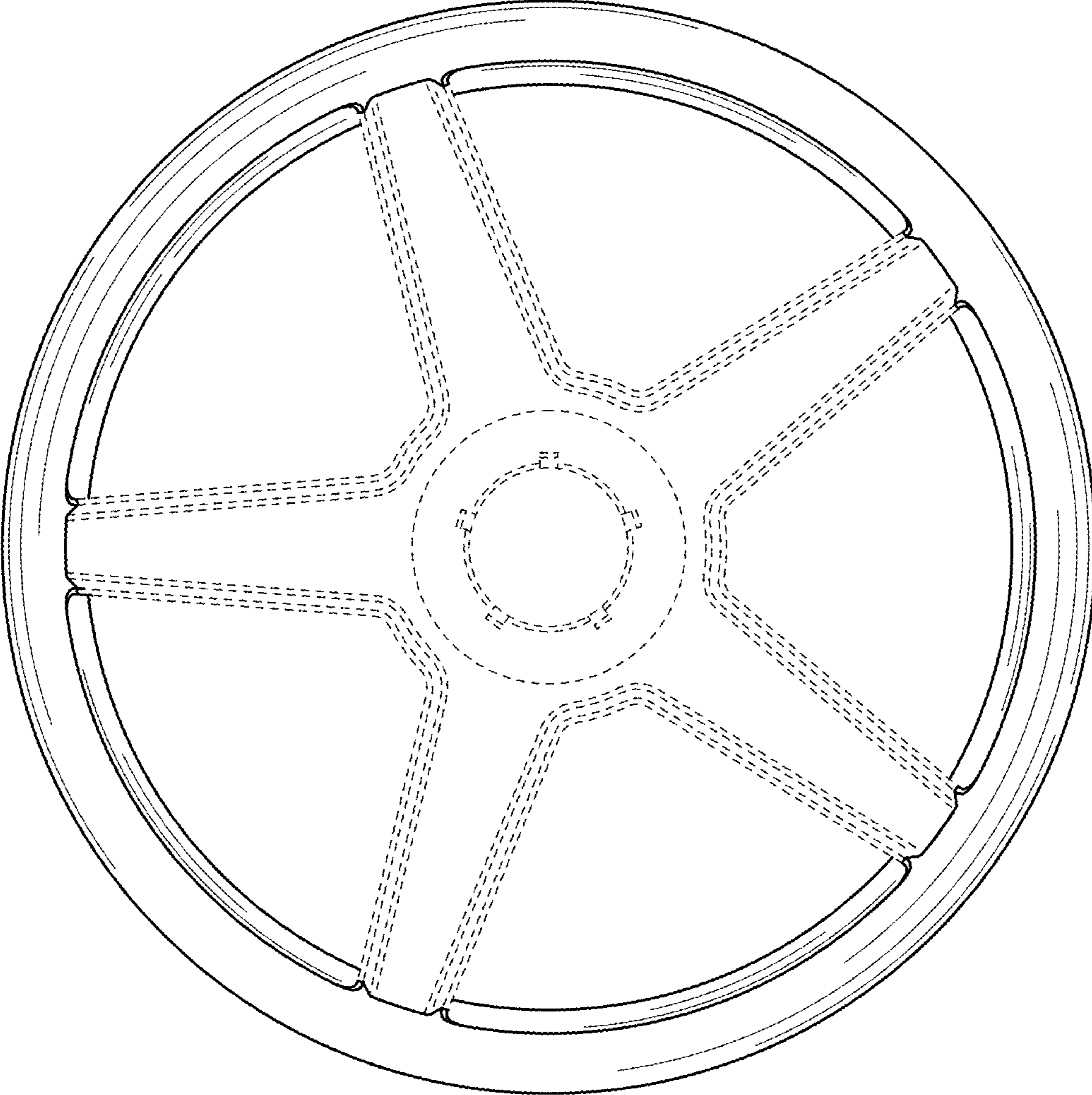


FIG. 10 (Amended)

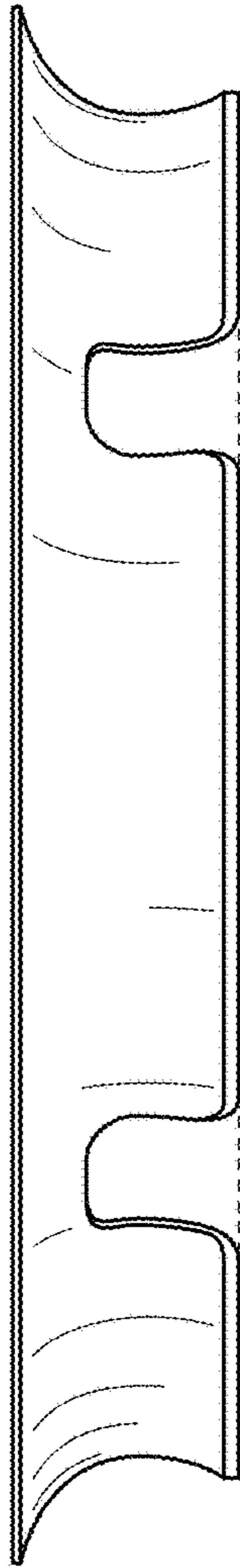


FIG. 11 (Amended)

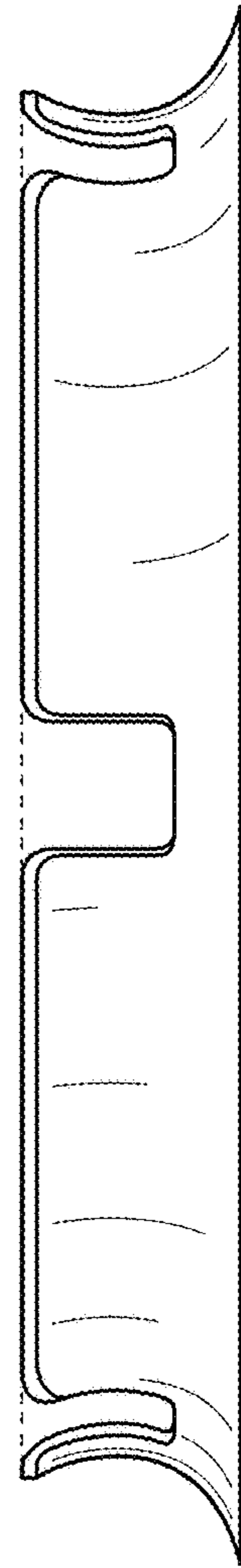


FIG. 12 (Amended)

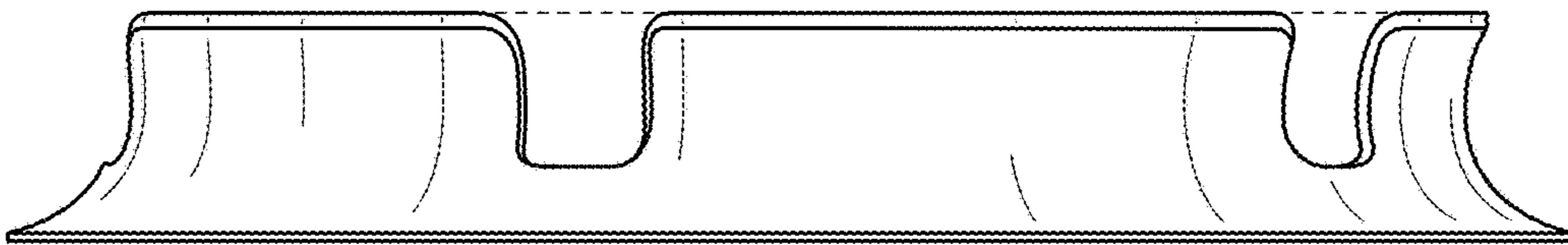


FIG. 13 (Amended)

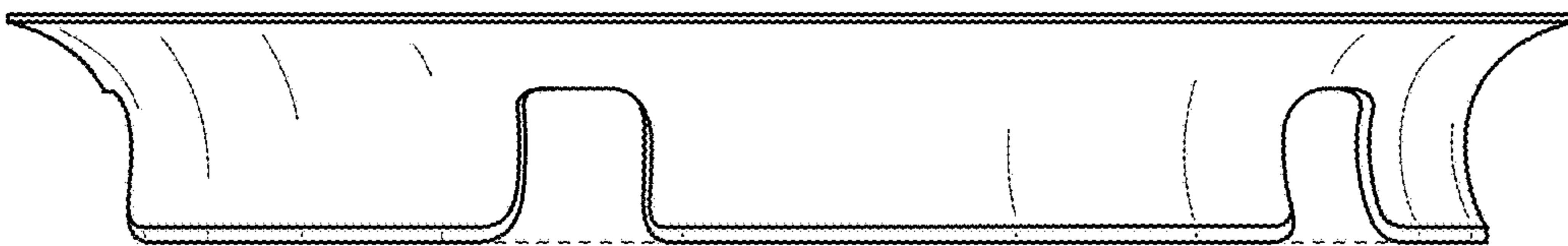


FIG. 14 (Amended)