

US00RE47780E

(19) **United States**
(12) **Reissued Patent**
Sugiura

(10) **Patent Number:** **US RE47,780 E**
(45) **Date of Reissued Patent:** **Dec. 24, 2019**

(54) **LIGHT-EMITTING APPARATUS,
BACKLIGHT UNIT, LIQUID CRYSTAL
DISPLAY APPARATUS, AND ILLUMINATION
APPARATUS**

(52) **U.S. Cl.**
CPC **H01L 27/153** (2013.01); **G02F 1/133615**
(2013.01); **H01L 25/0753** (2013.01)

(58) **Field of Classification Search**
CPC . H01L 25/0753; H01L 25/167; H01L 27/153;
H01L 33/507; H01L 33/52;
(Continued)

(71) Applicant: **PANASONIC INTELLECTUAL
PROPERTY MANAGEMENT CO.,
LTD.**, Osaka (JP)

(56) **References Cited**

(72) Inventor: **Kenji Sugiura**, Osaka (JP)

U.S. PATENT DOCUMENTS

(73) Assignee: **PANASONIC INTELLECTUAL
PROPERTY MANAGEMENT CO.,
LTD.**, Osaka (JP)

6,953,263 B1 10/2005 Fujimoto et al.
8,049,237 B2 11/2011 Yamada et al.
(Continued)

(21) Appl. No.: **15/651,187**

FOREIGN PATENT DOCUMENTS

(22) Filed: **Jul. 17, 2017**

CN 201788969 U 4/2011
JP 52-057731 5/1977
(Continued)

Related U.S. Patent Documents

Reissue of:

(64) Patent No.: **9,299,743**
Issued: **Mar. 29, 2016**
Appl. No.: **14/112,079**
PCT Filed: **Mar. 12, 2012**
PCT No.: **PCT/JP2012/001698**
§ 371 (c)(1),
(2) Date: **Oct. 16, 2013**
PCT Pub. No.: **WO2012/144126**
PCT Pub. Date: **Oct. 26, 2012**

OTHER PUBLICATIONS

Office Action issued in Japan Counterpart Patent Appl. No. 2014-189427, dated Dec. 13, 2016.
(Continued)

Primary Examiner — Henry N Tran
(74) *Attorney, Agent, or Firm* — Greenblum & Bernstein, P.L.C.

(30) **Foreign Application Priority Data**

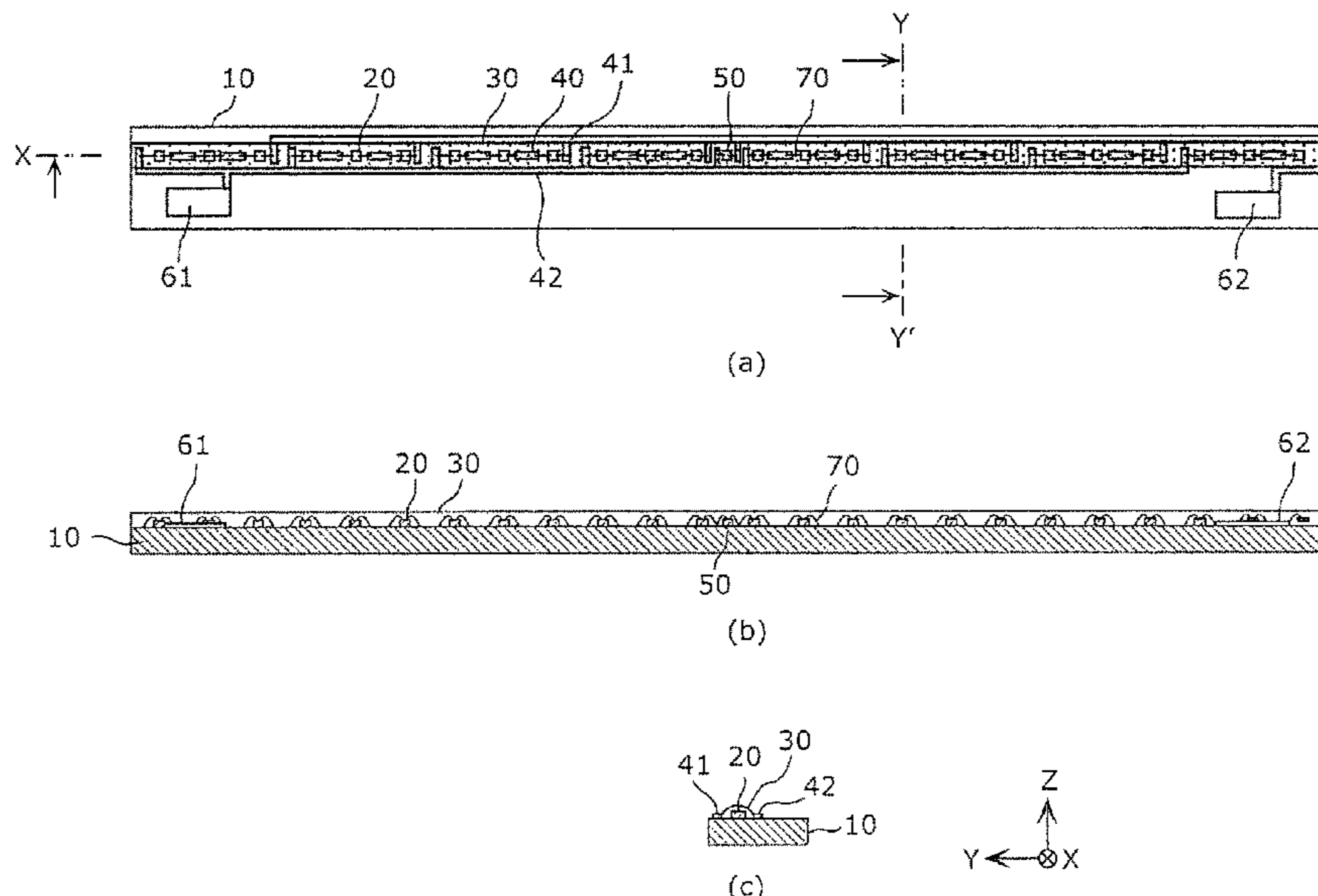
Apr. 20, 2011 (JP) 2011-094521

(51) **Int. Cl.**
H01L 27/15 (2006.01)
G02F 1/1335 (2006.01)
(Continued)

(57) **ABSTRACT**

A light-emitting apparatus according to the present invention includes: an elongated substrate; a plurality of LEDs arranged in a straight line on the substrate in a longitudinal direction of the substrate; and a sealing member that includes an optical wavelength converter and seals the LEDs, wherein the sealing member is formed in a straight line in a direction of arrangement of the LEDs and seals the LEDs collectively.

29 Claims, 16 Drawing Sheets



- (51) **Int. Cl.**
H01L 25/075 (2006.01)
H01L 33/50 (2010.01)
- (58) **Field of Classification Search**
 CPC H01L 33/62; H01L 2933/005; H01L 2933/0016; H01L 2933/0041; H01L 2933/0066; H01L 2224/48091; H01L 33/50; H01L 33/54; H01L 2924/00014; G02F 1/133615
 USPC 313/512
 See application file for complete search history.

(56) **References Cited**

U.S. PATENT DOCUMENTS

| | | | |
|-------------------|---------|------------------|-------------------------------|
| 8,052,303 B2 | 11/2011 | Lo et al. | |
| 8,403,532 B2 * | 3/2013 | Yamashita | F21K 9/00 362/249.02 |
| 8,421,111 B2 | 4/2013 | Matsuda et al. | |
| 8,450,929 B2 | 5/2013 | Ishimori et al. | |
| 8,461,756 B2 | 6/2013 | Sakai et al. | G02B 6/0023 313/501 |
| 8,496,351 B2 | 7/2013 | Lo et al. | F21V 5/00 362/234 |
| 9,261,246 B2 | 2/2016 | Ogata et al. | |
| 9,423,118 B2 | 8/2016 | Mori et al. | |
| 2004/0061220 A1 | 4/2004 | Miyazaki et al. | |
| 2005/0285926 A1 * | 12/2005 | Mizuyoshi | 347/212 |
| 2007/0114555 A1 | 5/2007 | Takemoto et al. | |
| 2008/0074884 A1 | 3/2008 | Mok et al. | |
| 2008/0137332 A1 | 6/2008 | Lo et al. | |
| 2008/0258169 A1 * | 10/2008 | Masuko | 257/99 |
| 2008/0296592 A1 | 12/2008 | Osamu | |
| 2009/0122541 A1 | 5/2009 | Suehiro et al. | |
| 2009/0140271 A1 * | 6/2009 | Sah | F21V 31/04 257/88 |
| 2009/0154156 A1 | 6/2009 | Lo et al. | |
| 2009/0166657 A1 | 7/2009 | Yamada et al. | |
| 2009/0194783 A1 | 8/2009 | Takemoto et al. | |
| 2009/0244921 A1 | 10/2009 | Saida et al. | |
| 2009/0315054 A1 | 12/2009 | Kim et al. | |
| 2010/0164409 A1 | 7/2010 | Lo et al. | |
| 2010/0195322 A1 | 8/2010 | Kawakami et al. | |
| 2010/0201248 A1 | 8/2010 | Harada et al. | |
| 2010/0220479 A1 * | 9/2010 | Yamashita et al. | 362/249.02 |
| 2010/0265693 A1 | 10/2010 | Ryu et al. | |
| 2011/0031524 A1 | 2/2011 | Pei | |
| 2011/0051043 A1 | 3/2011 | Kim et al. | |
| 2011/0075438 A1 | 3/2011 | Shirai et al. | |
| 2011/0108851 A1 | 5/2011 | Chu et al. | |
| 2011/0116005 A1 | 5/2011 | Sakai et al. | |
| 2011/0222264 A1 | 9/2011 | Matsuda et al. | |
| 2011/0254028 A1 | 10/2011 | Pei | |
| 2011/0297970 A1 | 12/2011 | Lo et al. | |
| 2011/0305011 A1 | 12/2011 | Lo et al. | |
| 2012/0007112 A1 | 1/2012 | Yamada et al. | |
| 2012/0044669 A1 * | 2/2012 | Ogata et al. | 362/97.3 |
| 2012/0106125 A1 * | 5/2012 | Yokotani et al. | 362/84 |
| 2012/0169968 A1 | 7/2012 | Ishimori et al. | |
| 2012/0326634 A1 | 12/2012 | Li | |
| 2014/0054628 A1 * | 2/2014 | Sugiura et al. | 257/91 |
| 2014/0078738 A1 | 3/2014 | Mori et al. | |
| 2014/0321109 A1 * | 10/2014 | Hwu et al. | 362/218 |

FOREIGN PATENT DOCUMENTS

| | | |
|----|-------------|---------|
| JP | 52-120552 U | 9/1977 |
| JP | 5-299702 | 11/1993 |
| JP | 6-120565 | 4/1994 |
| JP | H06-314858 | 11/1994 |
| JP | 7-226537 | 8/1995 |
| JP | 2005-026619 | 1/2005 |
| JP | 2006-13087 | 1/2006 |
| JP | 2006-179544 | 7/2006 |
| JP | 2007-288200 | 11/2007 |

| | | |
|----|---------------|---------|
| JP | 2008-047851 | 2/2008 |
| JP | 2008-071954 A | 3/2008 |
| JP | 2008-078401 | 4/2008 |
| JP | 2008-091354 | 4/2008 |
| JP | 2008-118115 | 5/2008 |
| JP | 2008-300386 | 12/2008 |
| JP | 2009-9898 | 1/2009 |
| JP | 2009-010308 | 1/2009 |
| JP | 2009-032746 | 2/2009 |
| JP | 2009-038202 | 2/2009 |
| JP | 2009-38315 | 2/2009 |
| JP | 2009-059966 | 3/2009 |
| JP | 2009-081194 A | 4/2009 |
| JP | 2009-164157 | 7/2009 |
| JP | 2009-182307 | 8/2009 |
| JP | 2010-092670 | 4/2010 |
| JP | 2010-118531 | 5/2010 |
| JP | 3161182 U | 7/2010 |
| JP | 2010-199513 | 9/2010 |
| JP | 2010-283152 | 12/2010 |
| JP | 2011-040714 A | 2/2011 |
| JP | 2011-61056 | 3/2011 |
| JP | 3167034 U | 3/2011 |
| JP | 2011-077263 | 4/2011 |
| KR | 10-0973330 | 7/2010 |
| WO | 00/45589 | 8/2000 |
| WO | 2009/141982 | 11/2009 |
| WO | 2010/081559 | 7/2010 |
| WO | 2011/111399 | 9/2011 |
| WO | 2012/001938 | 1/2012 |

OTHER PUBLICATIONS

2nd Office Action in JP2014-189426, dated Mar. 15, 2016.
 Japan Office Action in Japan Patent Application No. 2013-76098, dated Jun. 17, 2014.
 Office Action issued in Japan Counterpart Patent Appl. No. 2015-162297, dated Jun. 14, 2016.
 Office Action issued in European Patent Office (EPO) Counterpart Patent Appl. No. 12774596.6, dated Sep. 30, 2016.
 Japanese Office Action dated May 31, 2016 with respect to Japanese Patent Application No. 2014-189426.
 International Search report and Written Opinion for PCT/JP2012/001698, dated Apr. 3, 2012, along with an English language translation of ISR.
 Hearing from corresponding JP Application No. 2012-519648, dated Jun. 11, 2013.
 Decision to Dismissal of Amendment from corresponding JP Application No. 2012-519648, dated Jan. 22, 2013.
 Office Action from corresponding JP Application No. 2012-519648, dated Jun. 12, 2012.
 Japan Office action, dated Jan. 28, 2014.
 Extended European Search Report in European Patent Application No. 12774596.6, dated Aug. 4, 2014.
 Office Action, dated Aug. 21, 2018, by the Japan Patent Office (JPO) for the corresponding Japanese Patent Application No. 2017-208172.
 Office Action and Search Report (English language translation), dated Aug. 16, 2018, from the State Intellectual Property Office (SIPO) of the People's Republic of China in the corresponding Chinese Patent Application No. 201610213194.2.
 Office Action, dated Mar. 26, 2019, by the Japan Patent Office (JPO) for the corresponding Japanese Patent Application No. 2017-208172.
 Japan Office action in Japan Patent Application No. 2013-76098, mail date is Jun. 17, 2014.
 Japan Office action, mail date is Jan. 28, 2014.
 U.S. Appl. No. 13/980,960, to Toshio Mori et al., filed Jul. 22, 2013.
 International Search report and Written Opinion for PCT/JP2012/001698, mail date is Apr. 3, 2012, along with an English language translation of ISR.
 Hearing from corresponding JP Application No. 2012-519648, mail date is Jun. 11, 2013.
 Decision to Dismissal of Amendment from corresponding JP Application No. 2012-519648, mail date is Jan. 22, 2013.

(56)

References Cited

OTHER PUBLICATIONS

Office Action from corresponding JP Application No. 2012-519648, mail date is Jun. 12, 2012.

Extended European Search Report in European Patent Application No. 12774596 6, mail date is Aug. 4, 2014.

Office Action issued in Japan Counterpart Patent Appl. No. 2014-189427, dated Sep. 8, 2015.

Office Action issued in JAPAN Counterpart Patent Appl. No. 2014-189427, dated Jan. 5, 2016.

* cited by examiner

FIG. 1

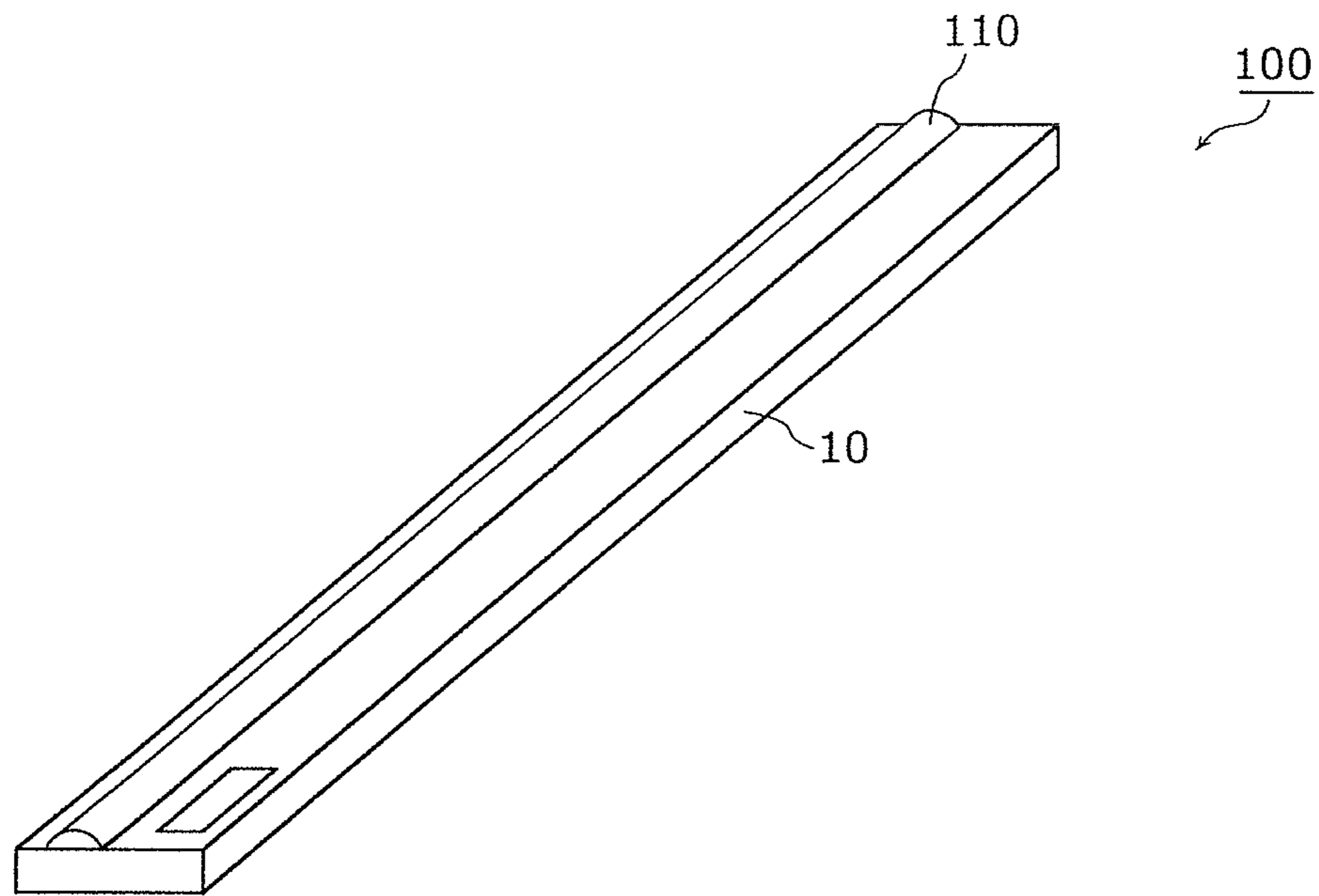


FIG. 2

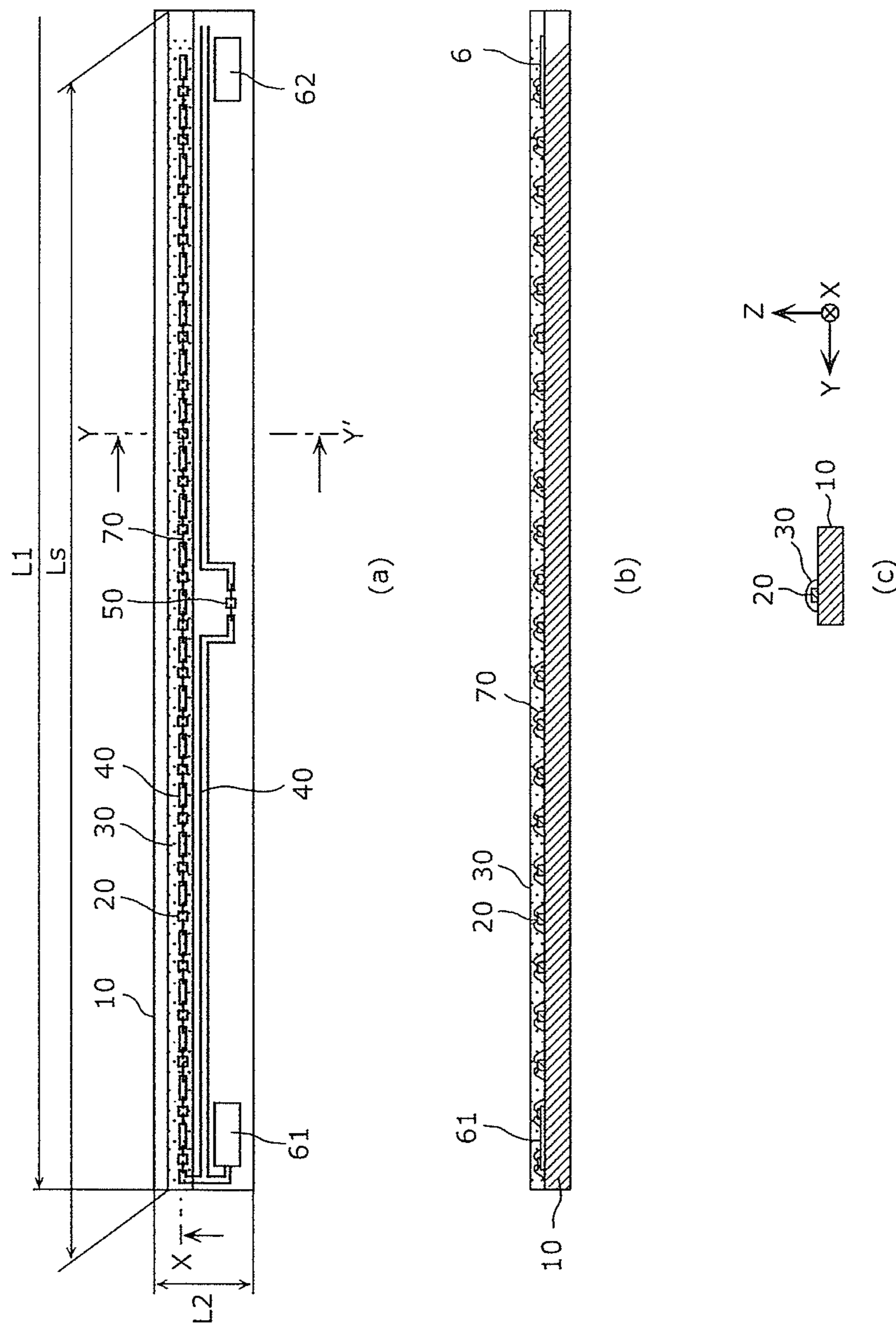


FIG. 3

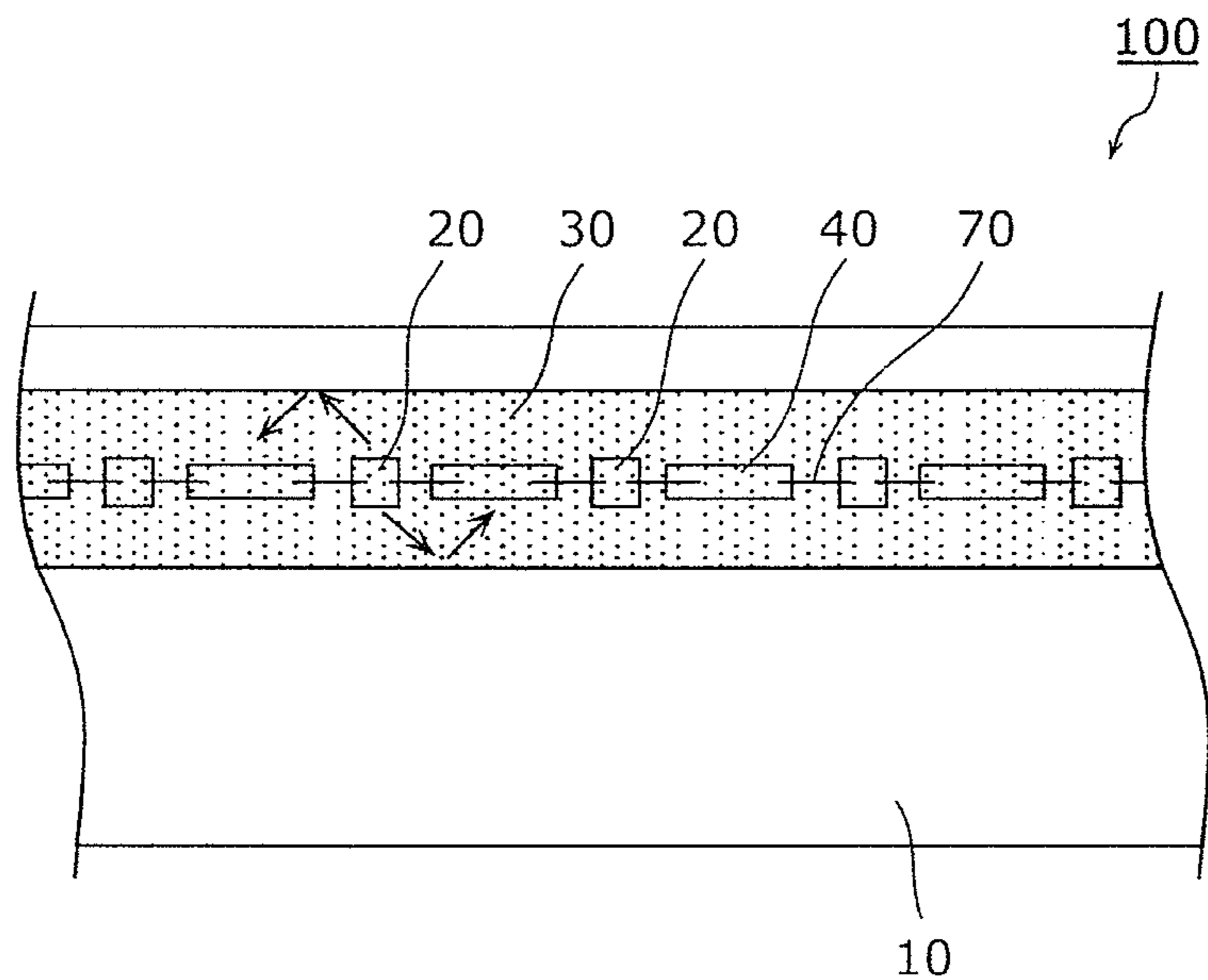


FIG. 4A

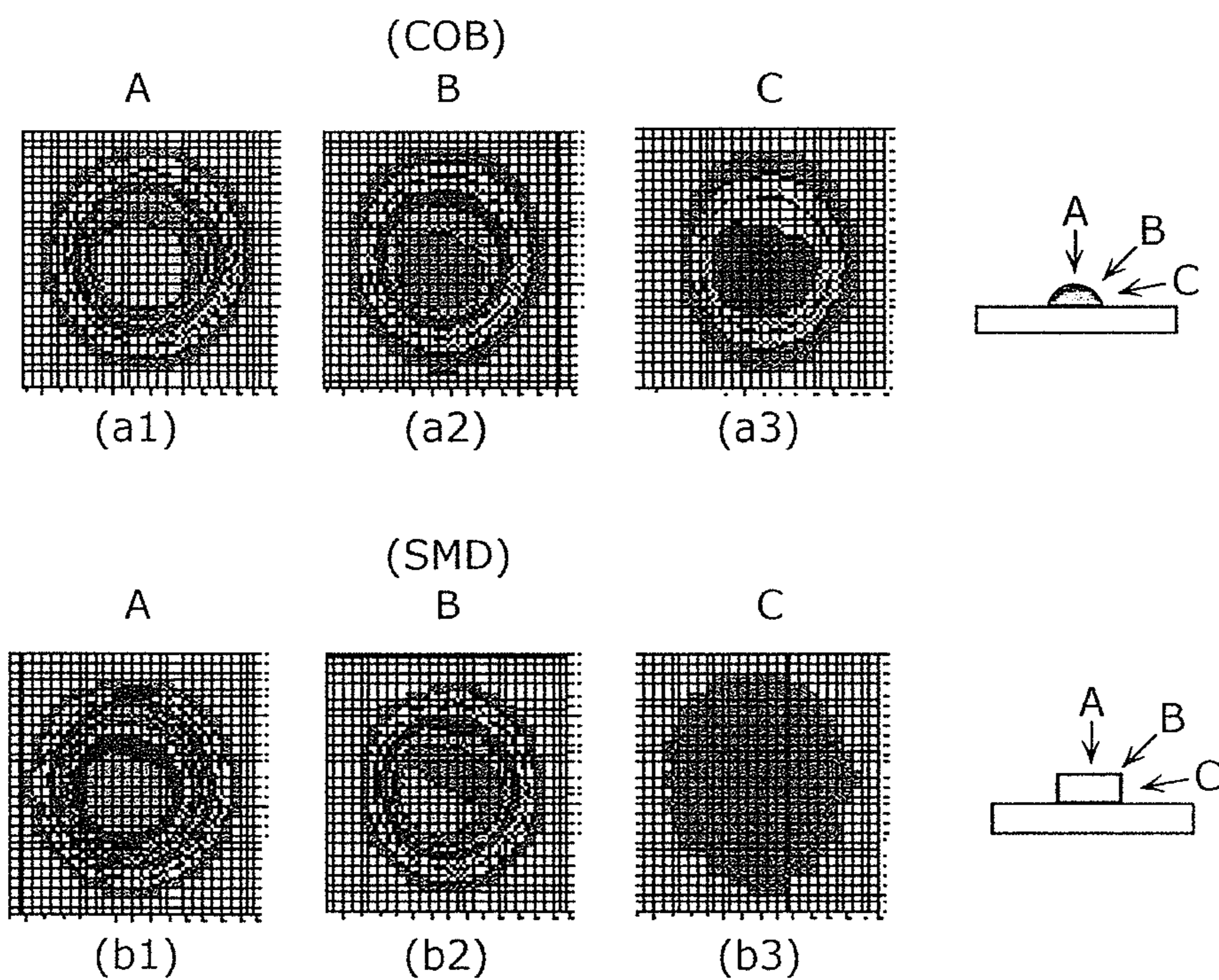


FIG. 4B

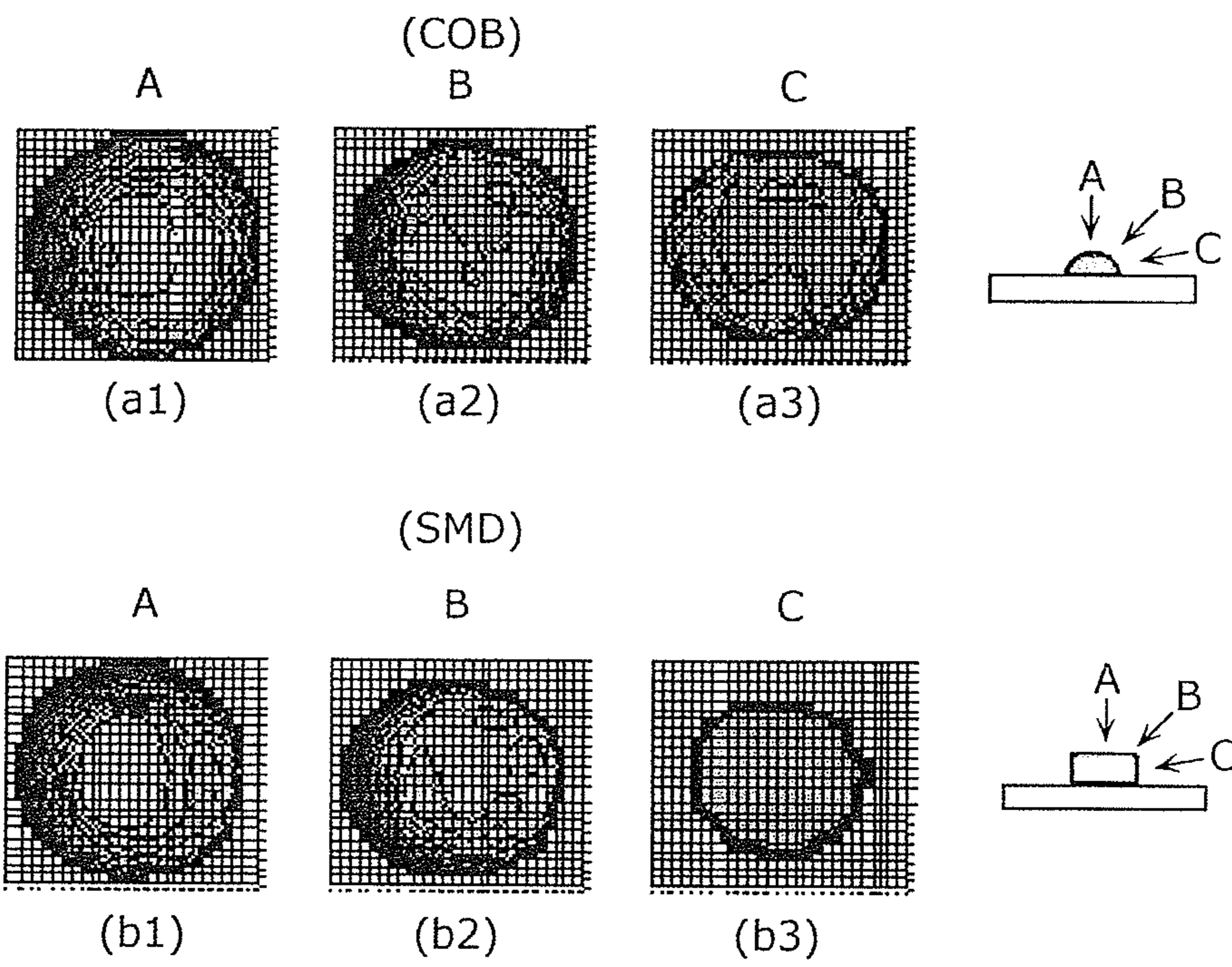


FIG. 5

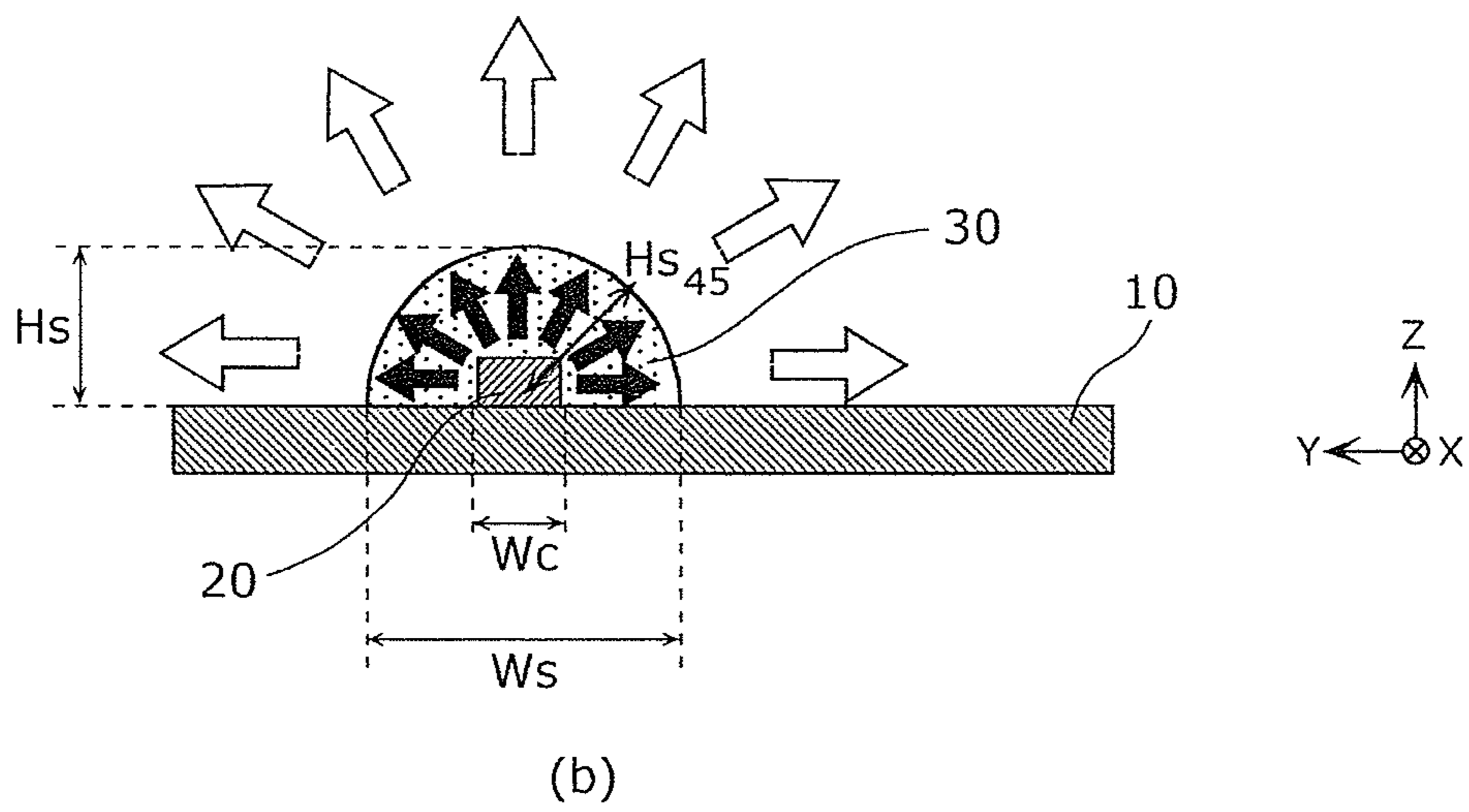
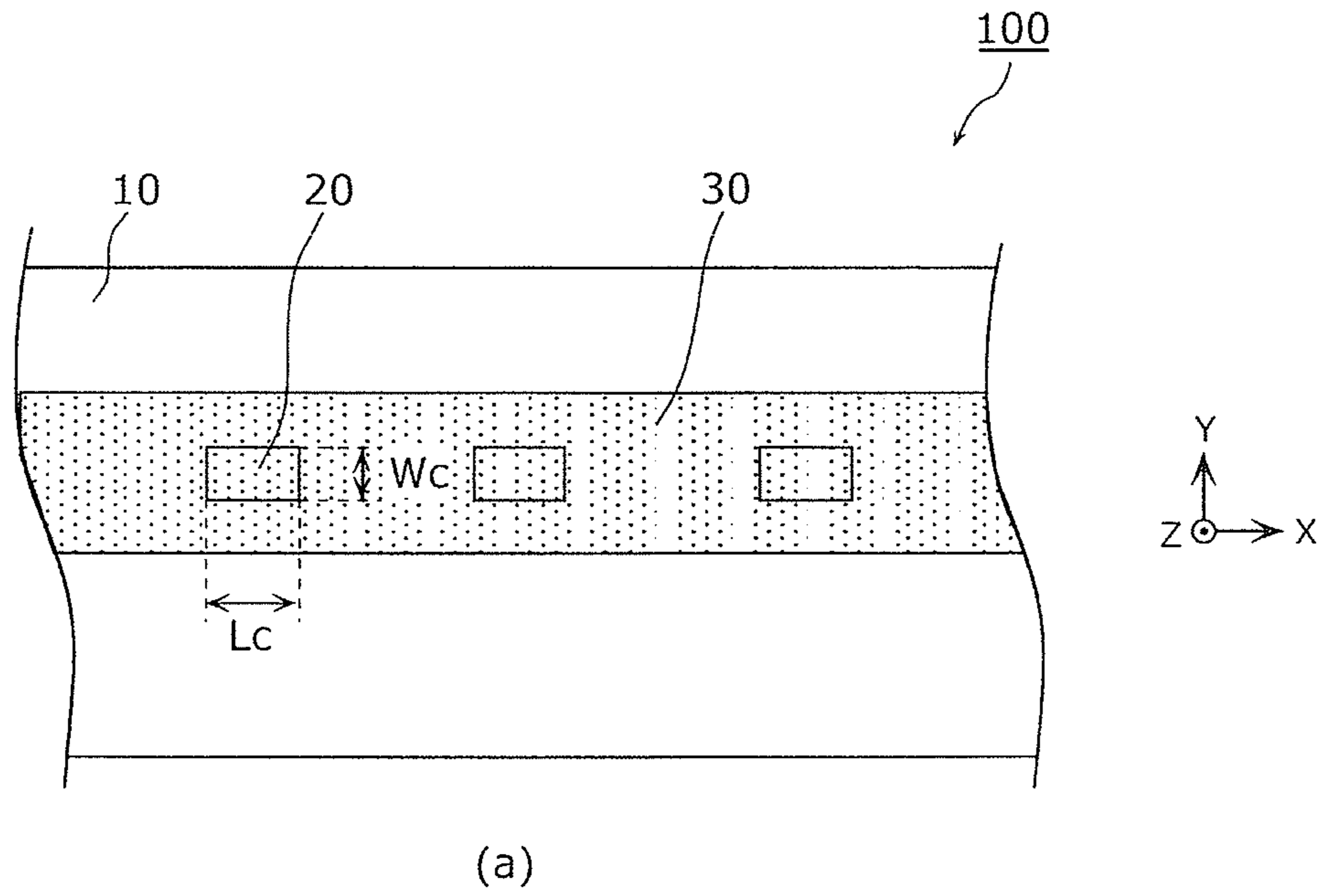


FIG. 6

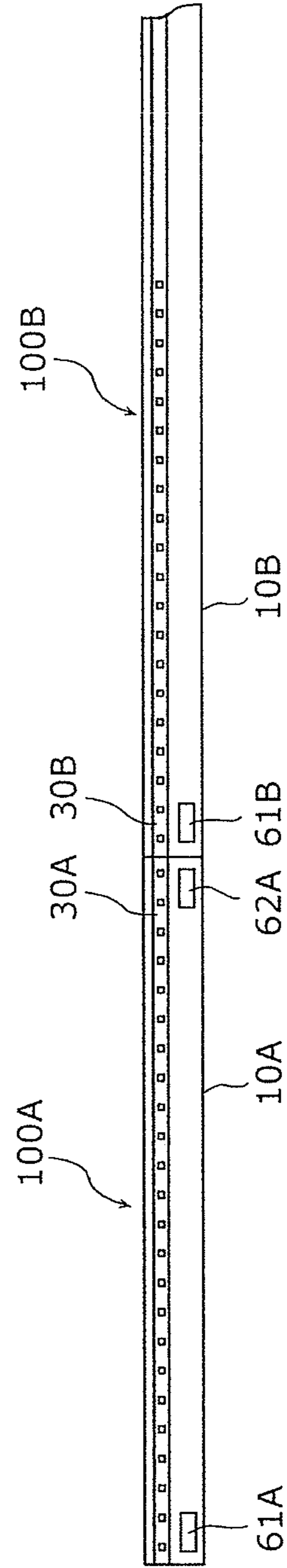


FIG. 7

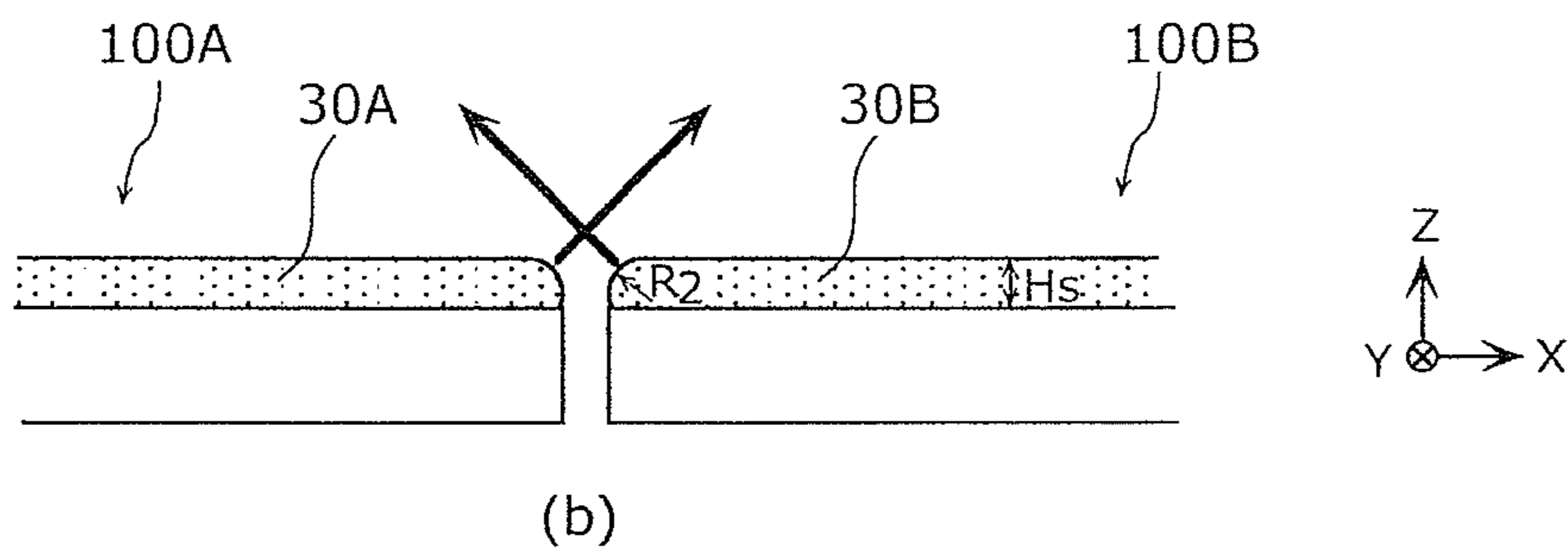
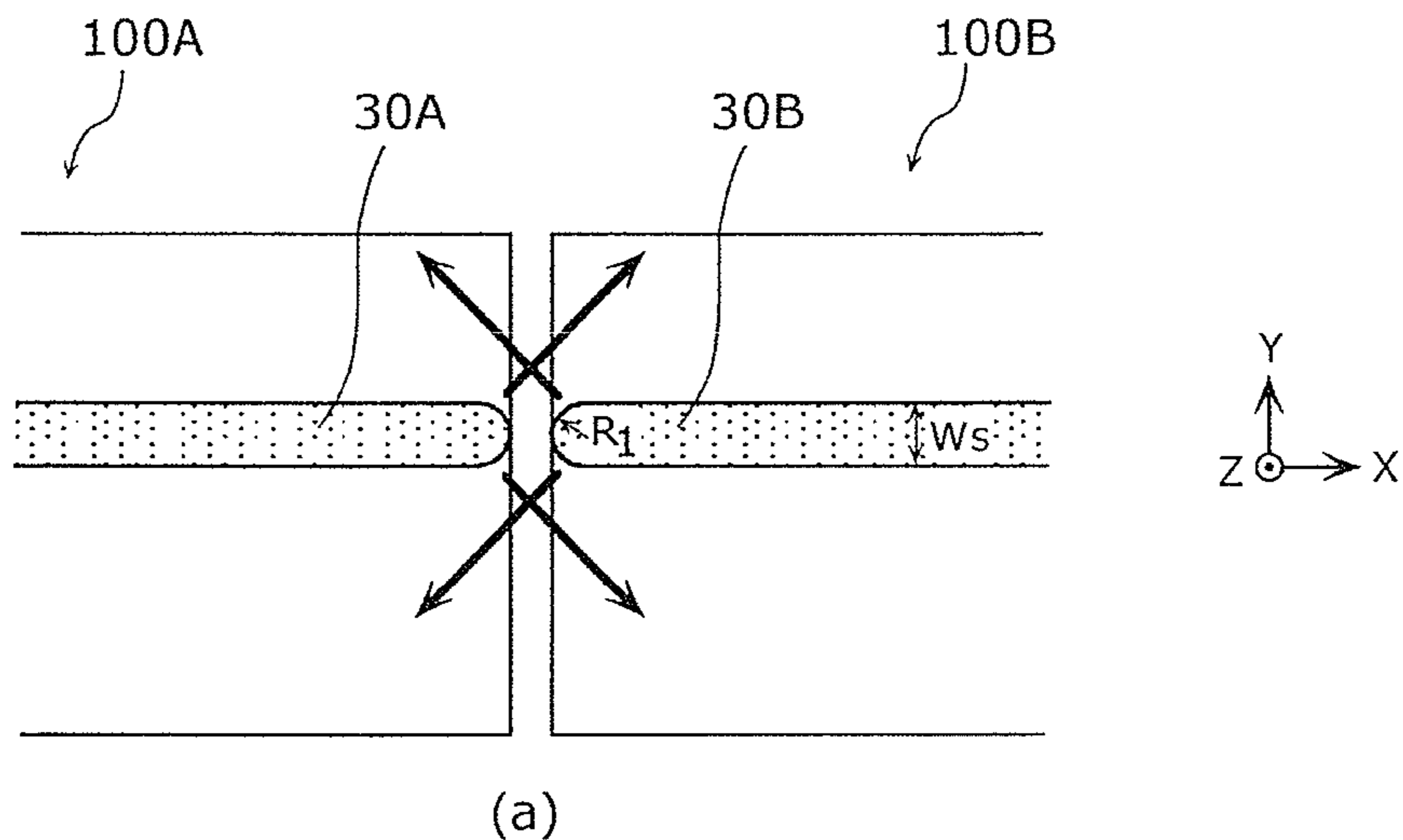


FIG. 8A

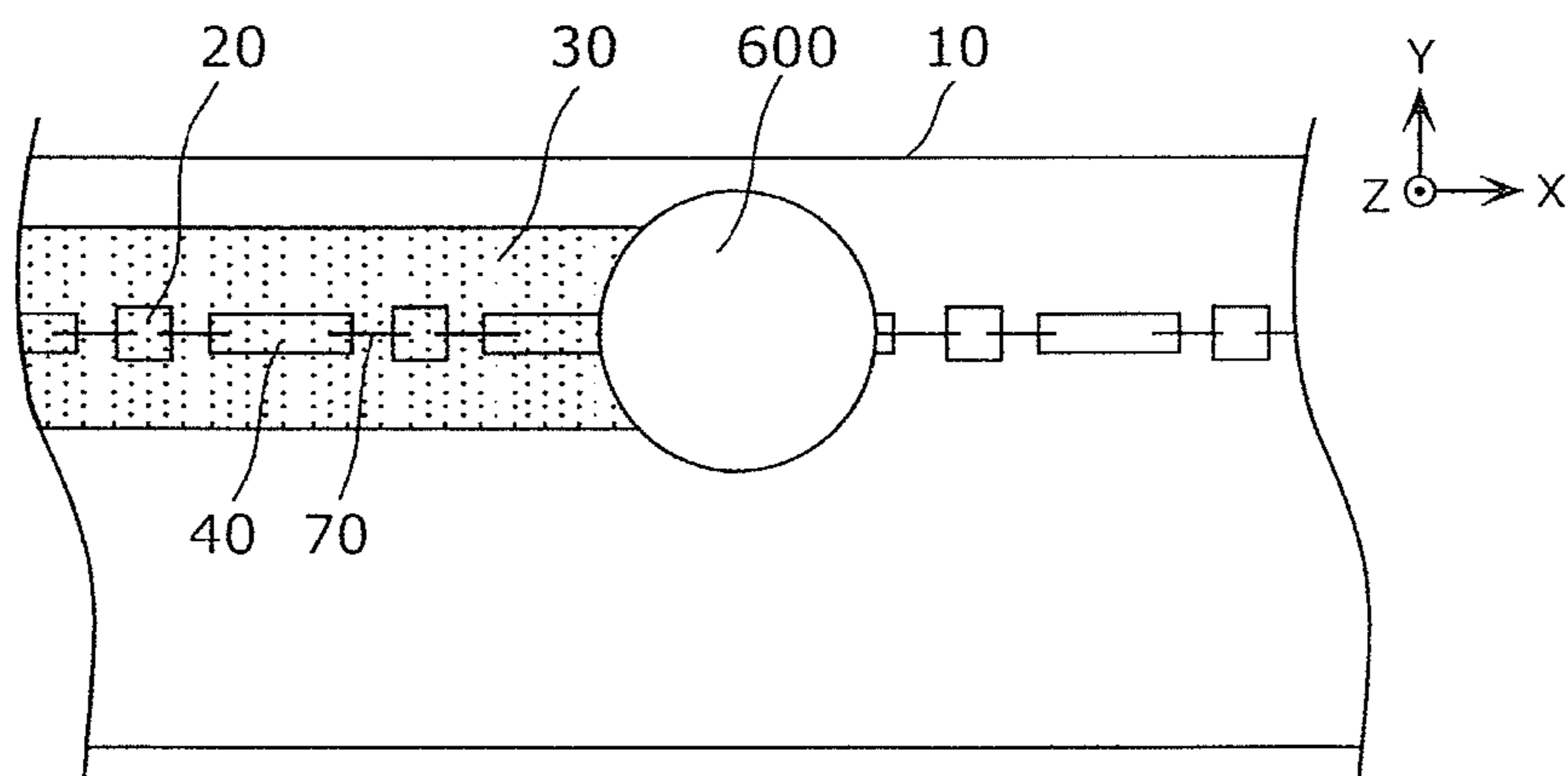


FIG. 8B

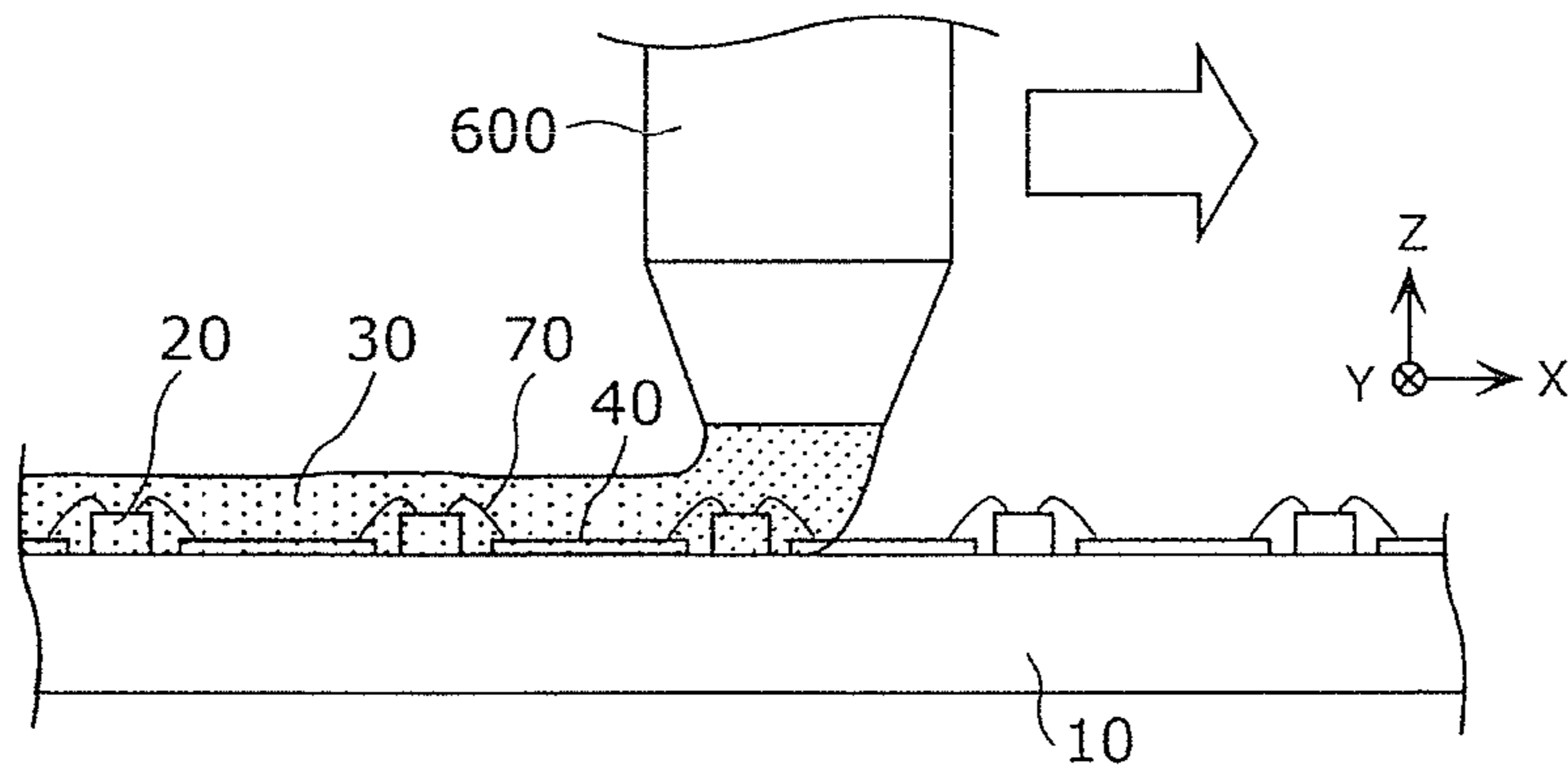


FIG. 8C

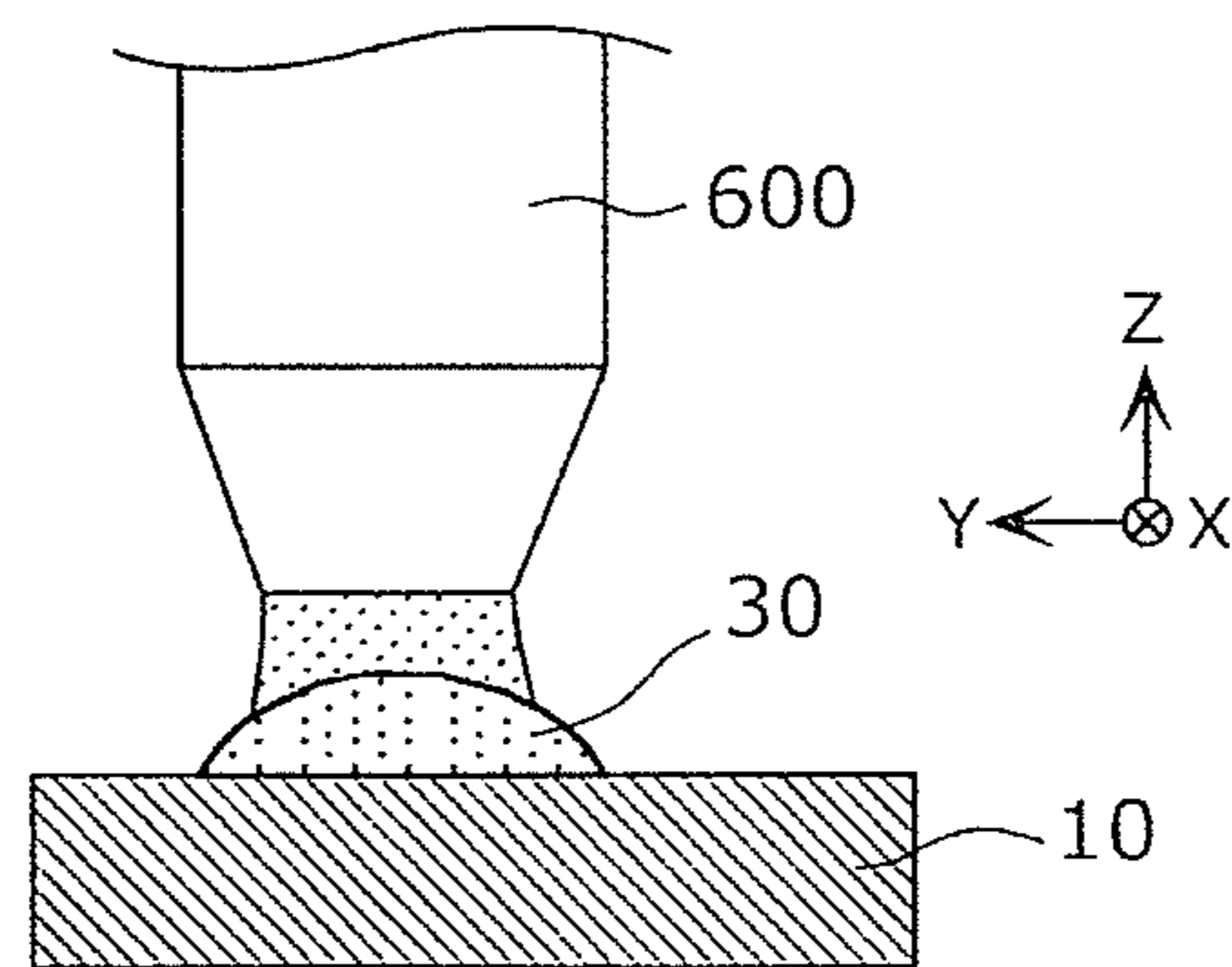


FIG. 9

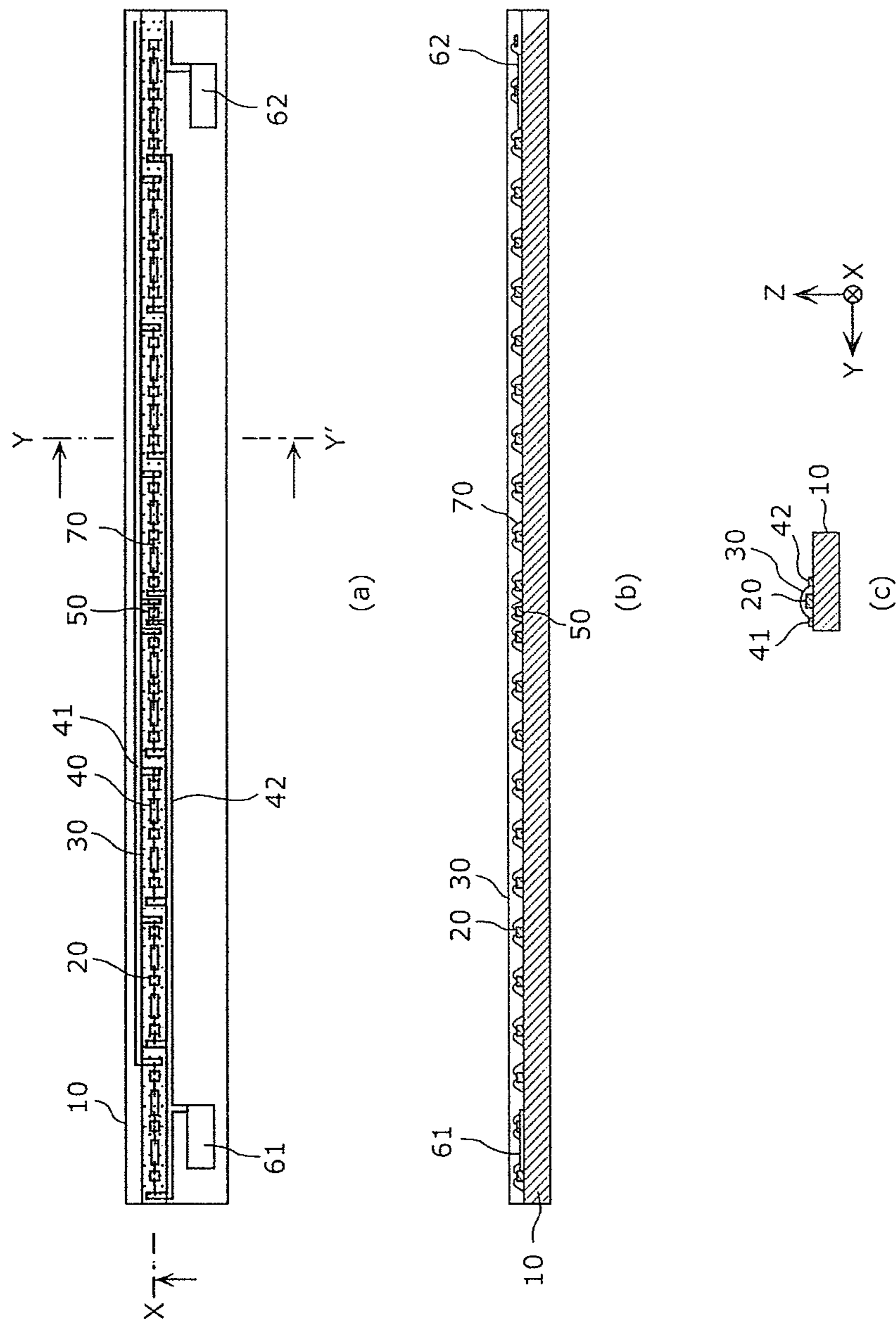


FIG. 10

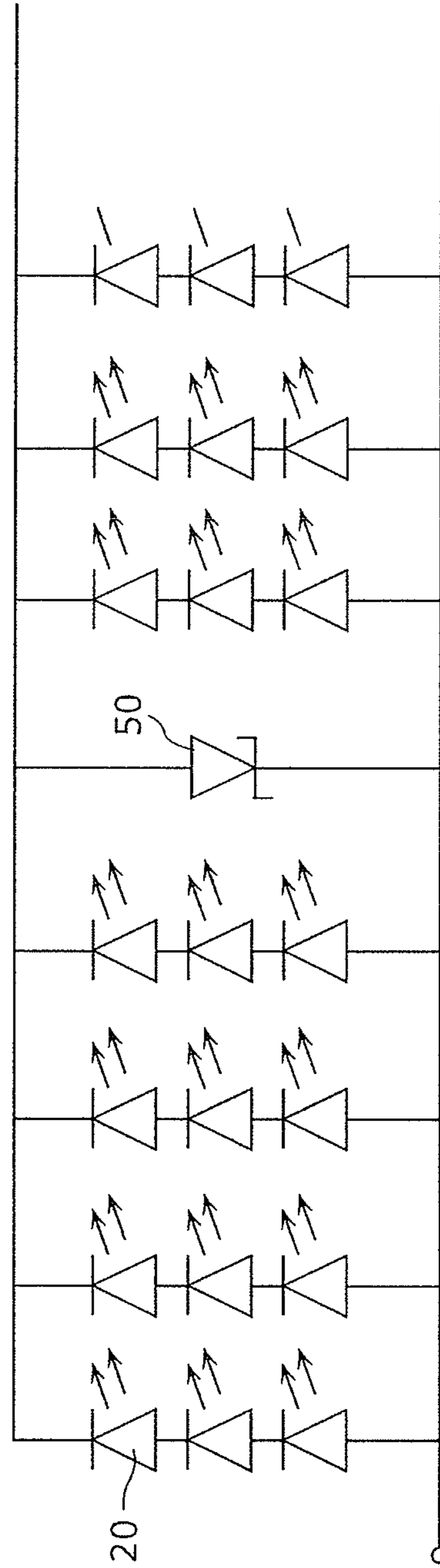


FIG. 11

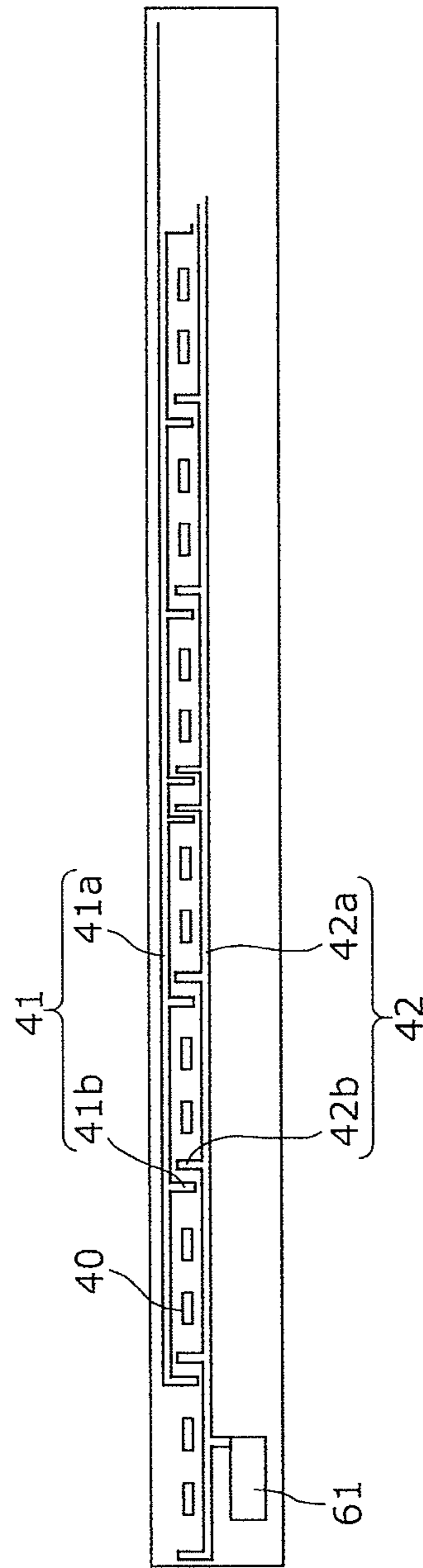


FIG. 12A

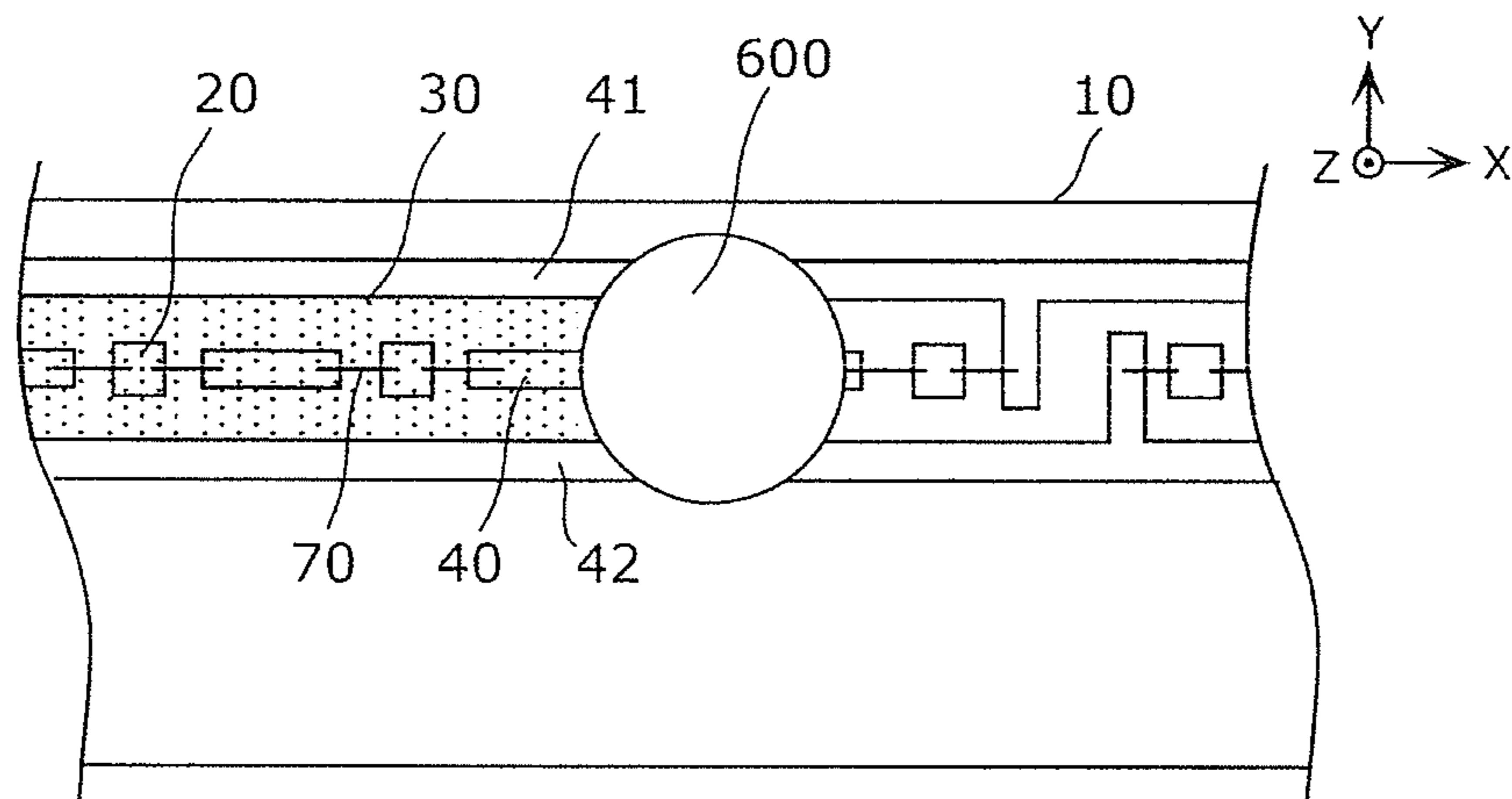


FIG. 12B

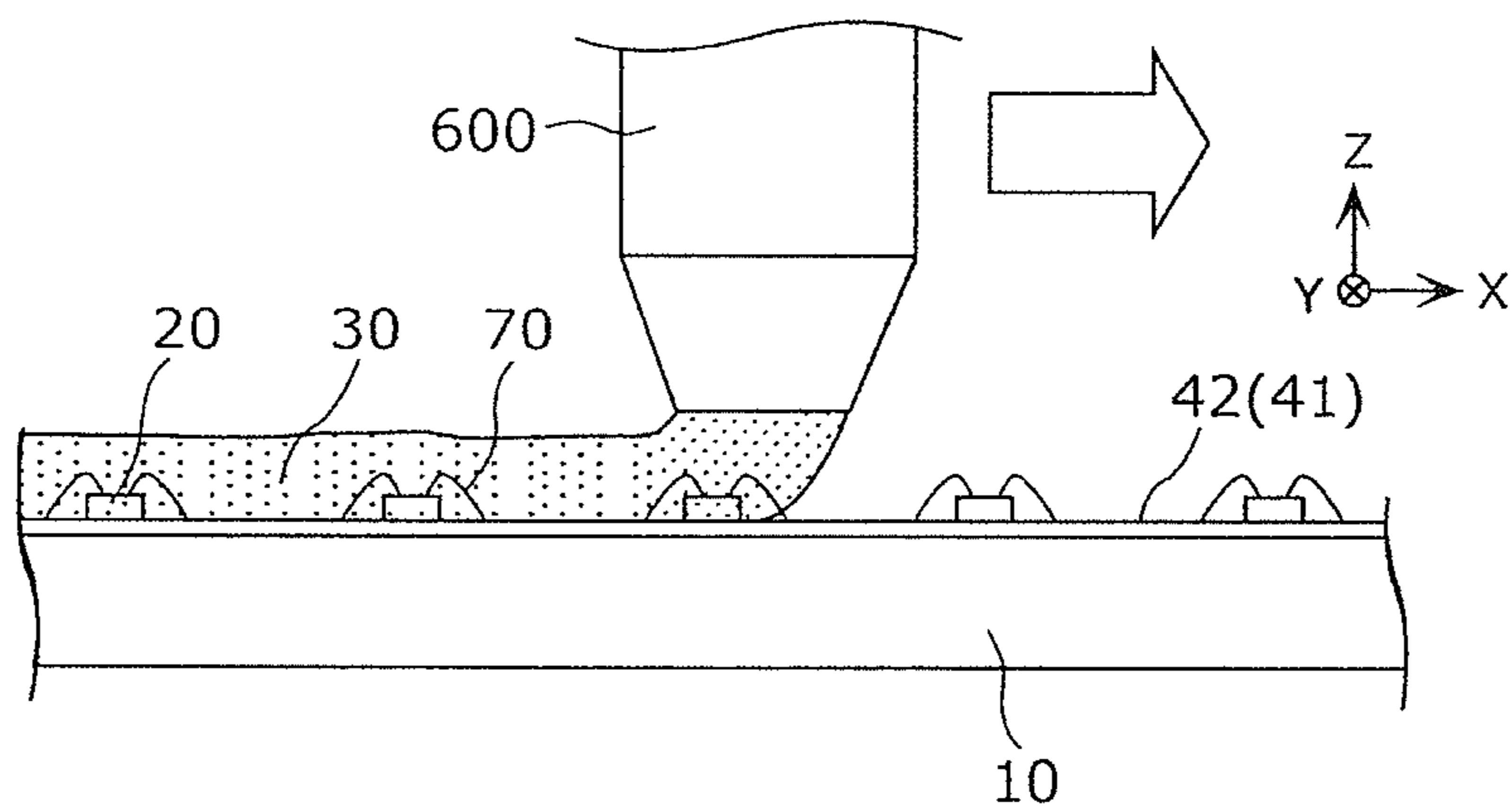


FIG. 12C

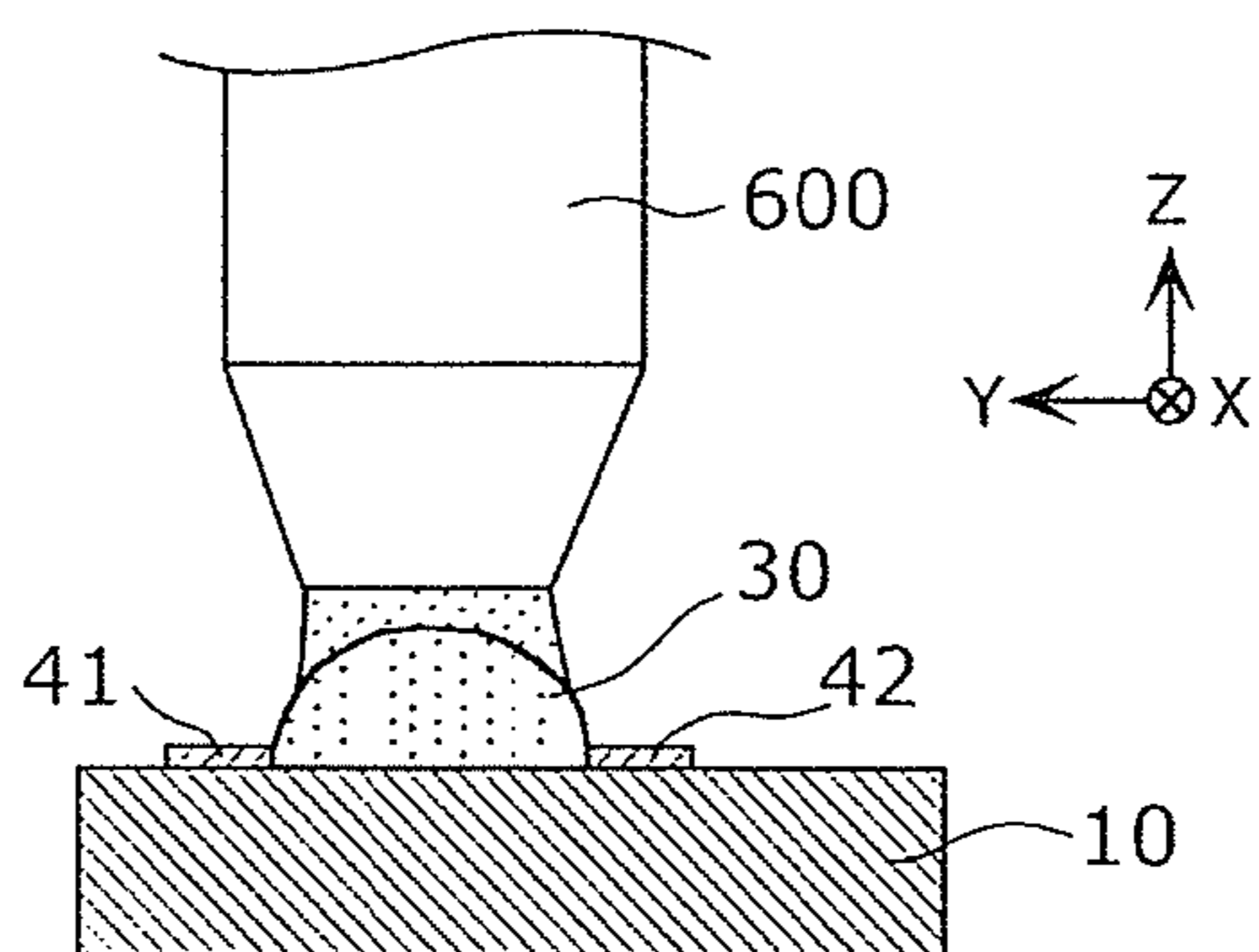


FIG. 13

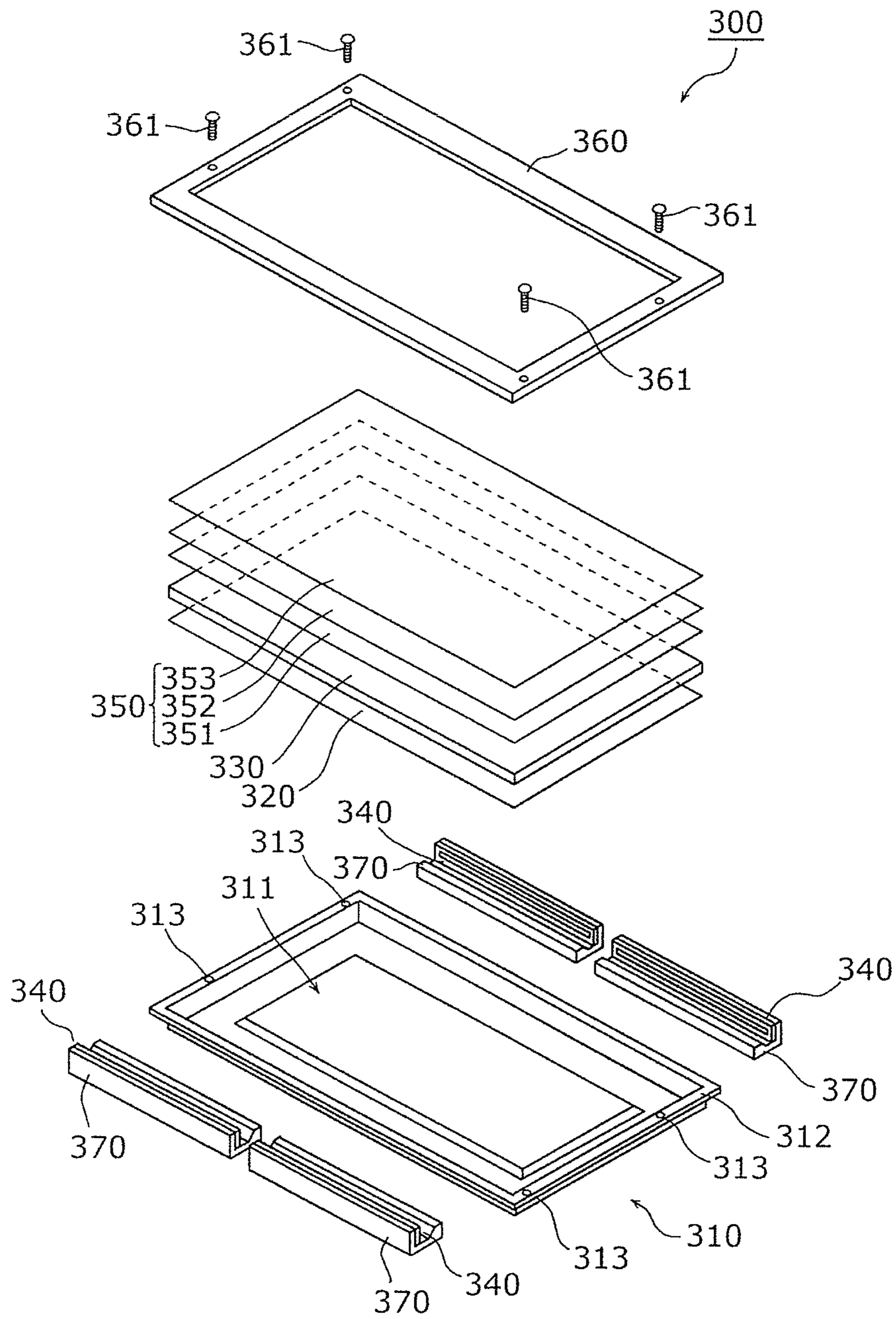


FIG. 14

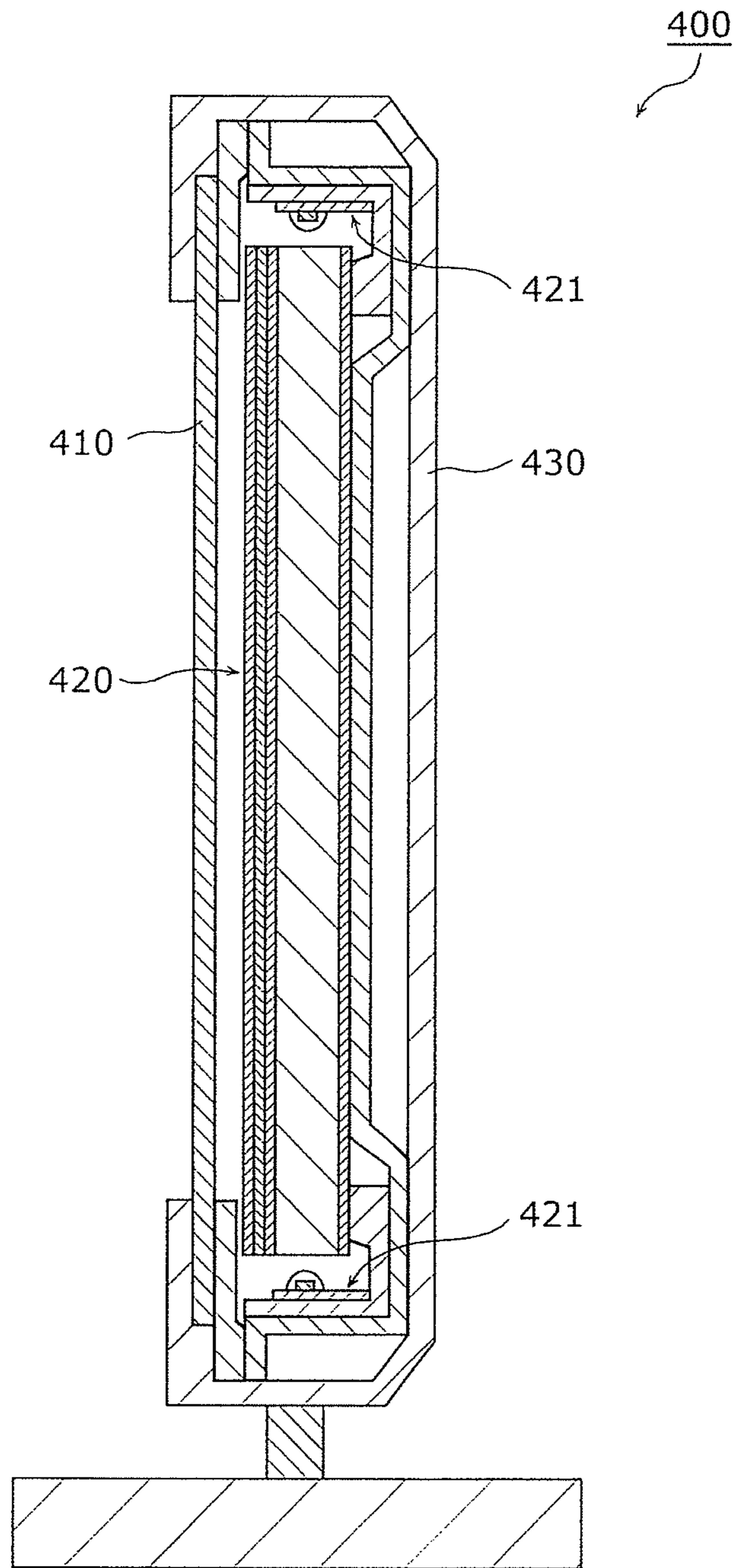


FIG. 15

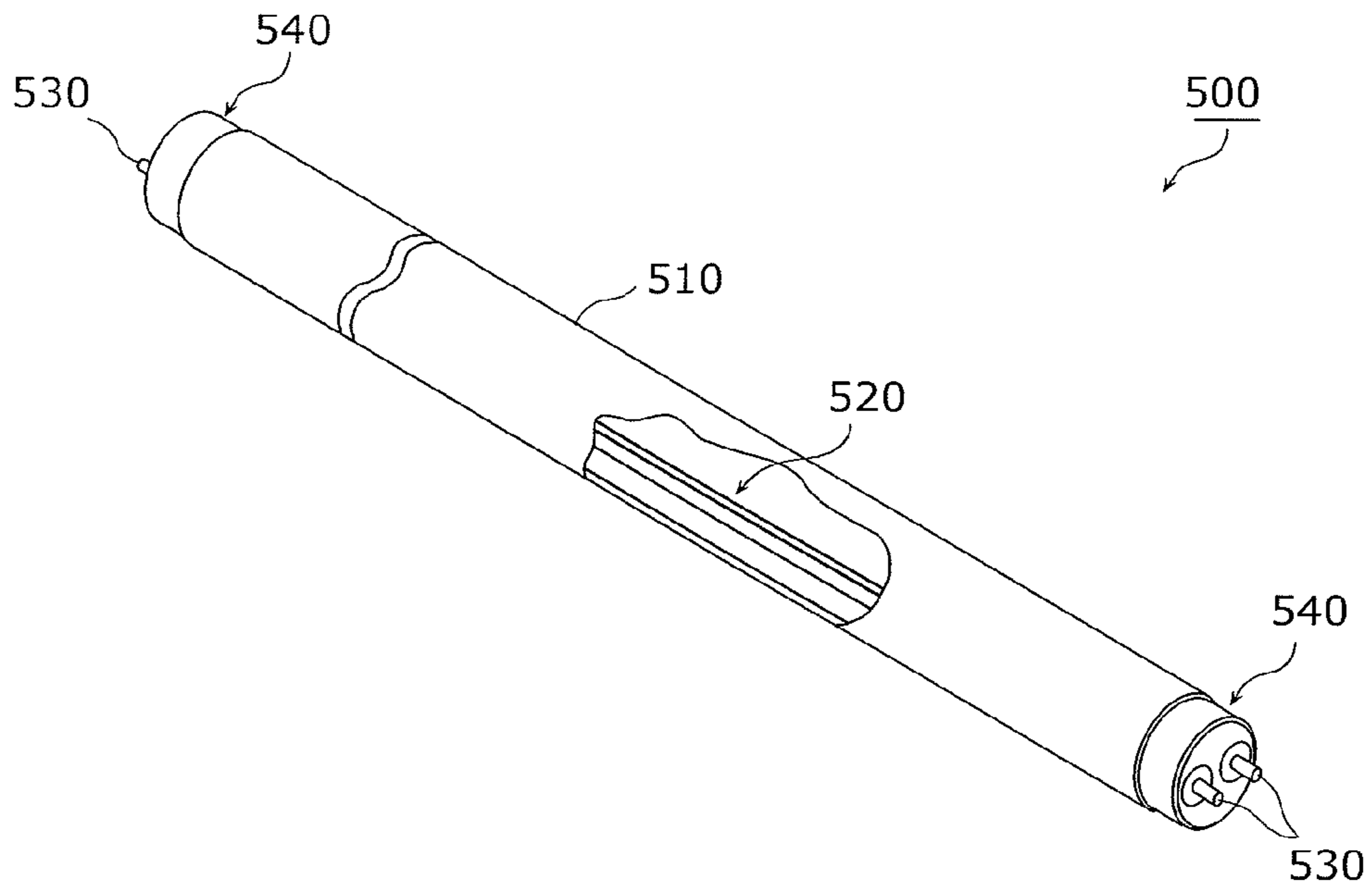


FIG. 16

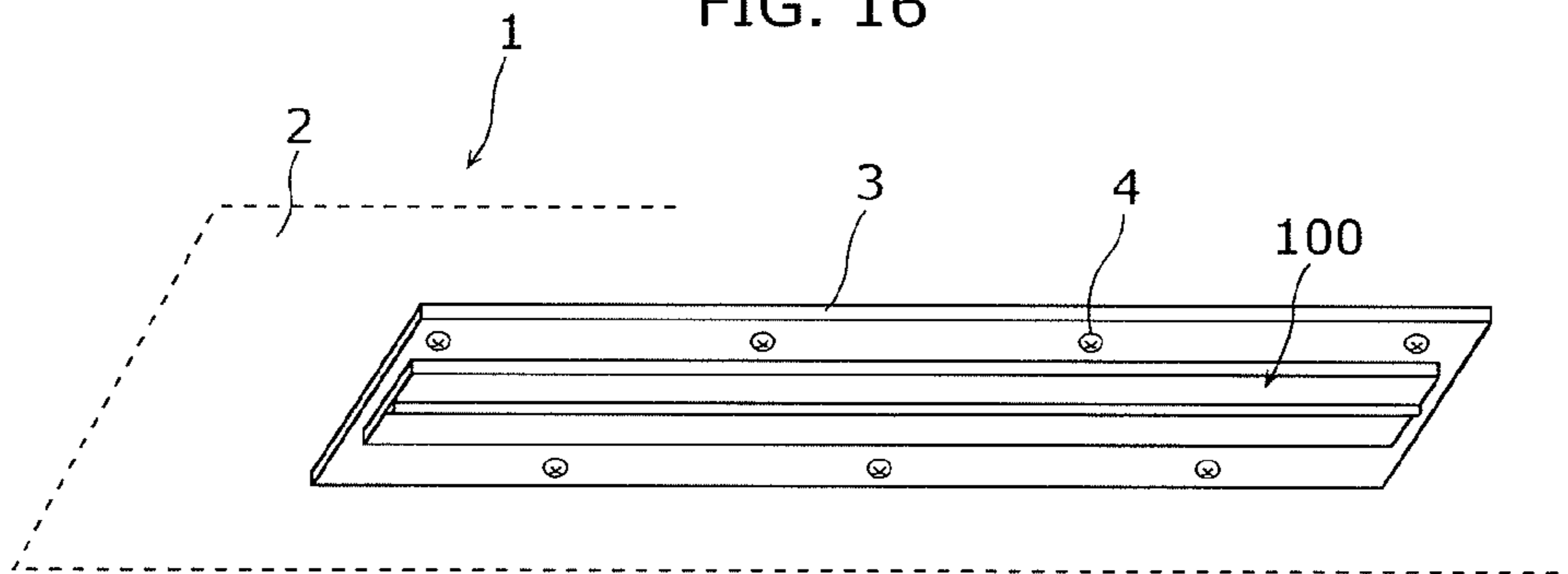


FIG. 17A

Prior Art

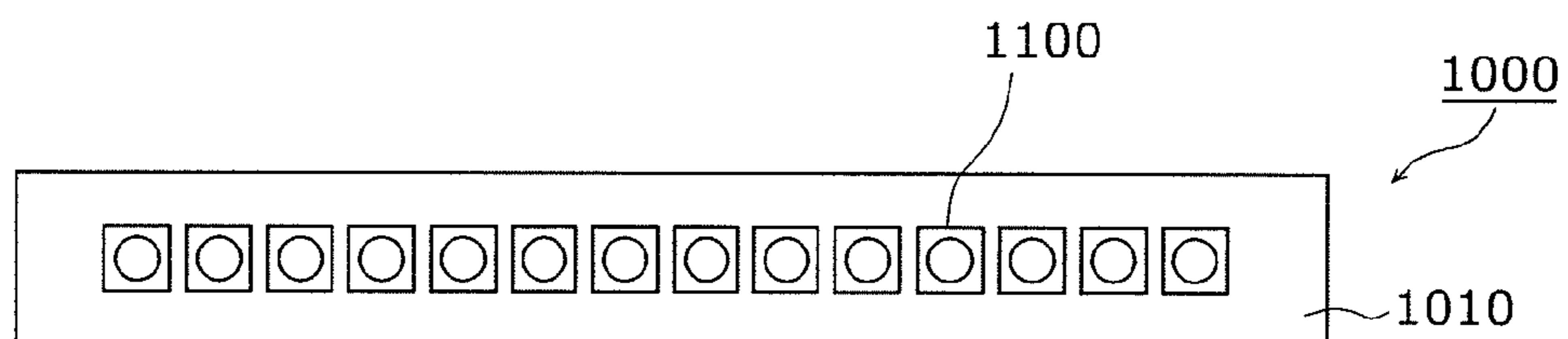
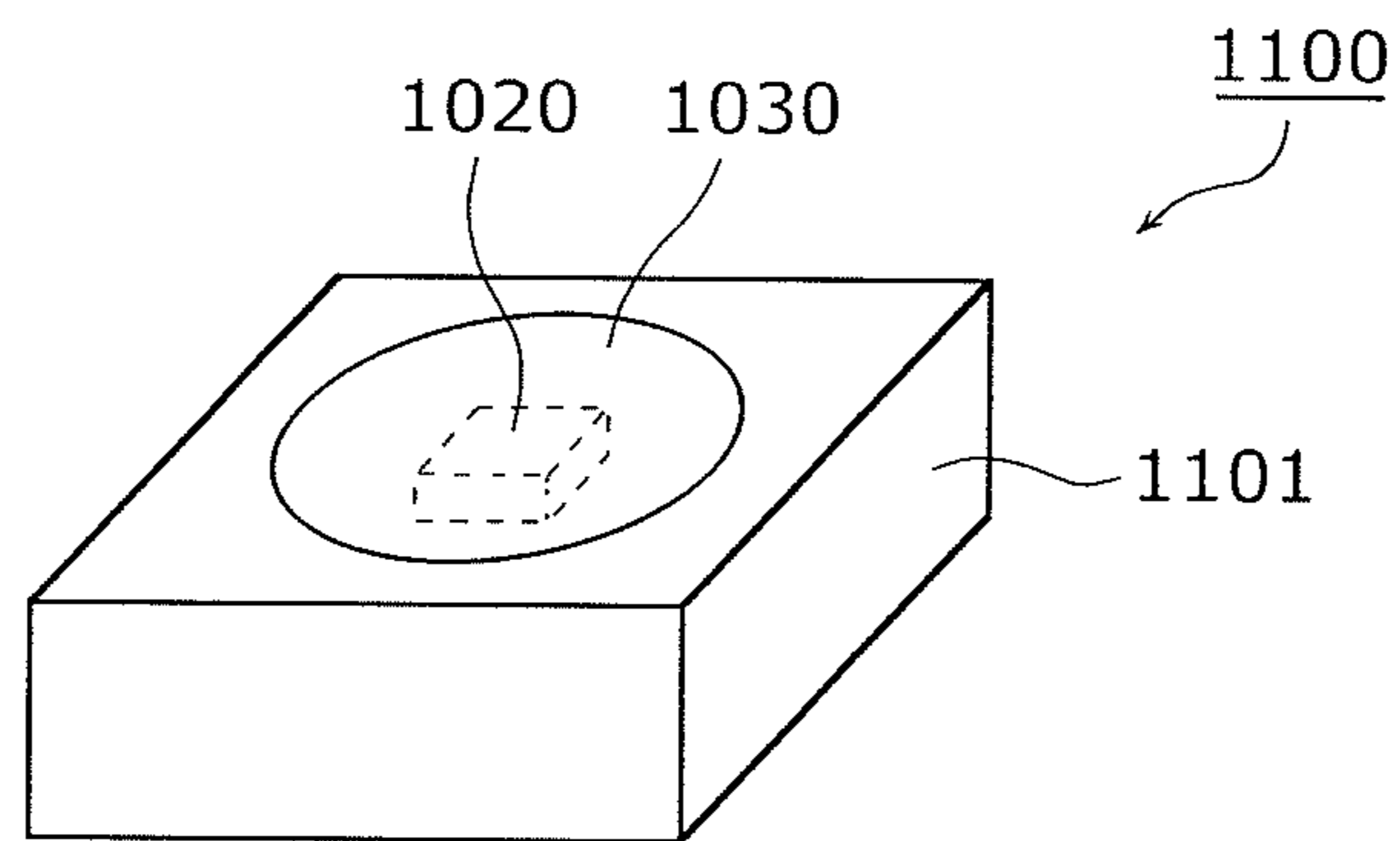


FIG. 17B
Prior Art



1

**LIGHT-EMITTING APPARATUS,
BACKLIGHT UNIT, LIQUID CRYSTAL
DISPLAY APPARATUS, AND ILLUMINATION
APPARATUS**

Matter enclosed in heavy brackets [] appears in the original patent but forms no part of this reissue specification; matter printed in italics indicates the additions made by reissue; a claim printed with strikethrough indicates that the claim was canceled, disclaimed, or held invalid by a prior post-patent action or proceeding.

TECHNICAL FIELD

The present invention relates to light-emitting apparatuses, backlight units, liquid crystal display apparatuses, and illumination apparatuses, and in particular, relates to a light-emitting apparatus using semiconductor light-emitting elements, for example.

BACKGROUND ART

Semiconductor light-emitting elements, such as light-emitting diodes (LEDs), are high efficiency, space-saving light sources, and in recent years have been widely used as light sources in backlights for liquid crystal display apparatuses, such as liquid crystal display televisions, and as illumination sources in illumination apparatuses.

LEDs are unitized as light-emitting apparatuses (light-emitting modules) in backlight light sources and illumination light sources.

Conventionally, a surface mount device (SMD) type light-emitting apparatus has been proposed as this sort of light-emitting apparatus. For example, Patent Literature (PTL) 1 discloses a SMD type light-emitting apparatus which uses an edge-light type backlight unit.

A conventional SMD type light-emitting apparatus **1000** will be described using FIG. 17A and FIG. 17B. FIG. 17A is a planar view of a conventional SMD type light-emitting apparatus. Moreover, FIG. 17B is a perspective view of a SMD type LED element used in a conventional SMD type light-emitting apparatus.

As FIG. 17A shows, the conventional SMD type light-emitting apparatus **1000** includes a substrate **1010** and a plurality of SMD type LED elements **1100** mounted in a line on the substrate **1010**. As FIG. 17B shows, each SMD type LED element **1100** is a package type LED element and includes a cavity **1101** molded from, for example, resin, an LED **1020** mounted in the cavity **1101**, and a sealing member **1030** made of a phosphor-containing resin injected in the cavity **1101** to cover the LED **1020**.

CITATION LIST

Patent Literature

[PTL 1] Japanese Unexamined Patent Application Publication No. 2006-13087

SUMMARY OF INVENTION

Technical Problem

However, the SMD type light-emitting apparatus appears grainy when lit up as a result of the areas between neighboring SMD type LED elements being non light-emitting

2

regions. As such, with SMD type light-emitting apparatuses, there is a problem of irregular luminance and irregular chromaticity within the light-emitting apparatus (module). It should be noted that in the present invention, "grainy" refers to an appearance, and is a degree that a plurality of LED light sources lined up can be individually identified by visual inspection.

The present invention was conceived to solve the above-described problem and aims to provide a light-emitting apparatus and such which can reduce a grainy appearance and suppress luminance irregularity while also suppressing chromatic irregularity.

Solution to Problem

In order to solve the above-described problem, an aspect of the light-emitting apparatus according to the present invention includes: an elongated substrate; a plurality of semiconductor light-emitting elements arranged in a straight line on the substrate in a longitudinal direction of the substrate; and a sealing member that includes an optical wavelength converter and seals the semiconductor light-emitting elements, wherein the sealing member is formed in a straight line in a direction of arrangement of the semiconductor light-emitting elements and seals the semiconductor light-emitting elements collectively.

With this, since a portion of the light from the semiconductor light-emitting elements is reflected at the interface of the sealing member and air space in the line width direction, light in the straight line direction of the sealing member increases, and non light-emitting regions between neighboring semiconductor light-emitting elements are eliminated. This makes it possible to eliminate a grainy appearance and suppress luminance irregularity. Moreover, since the sealing member is continuously formed without break in the module, difference in chromaticity in the module due to internal diffusion can be suppressed.

Furthermore, in one aspect of the light-emitting apparatus according to the present invention, it is preferable that $10 \leq L_s/W_s$, where L_s is a length of the sealing member in a straight line direction of the sealing member and W_s is a line width of the sealing member.

With this, since the line width of the sealing member can be made smaller, the light from the semiconductor light-emitting elements reflected at the interface of the sealing member and the airspace is allowed to pass between neighboring semiconductor light-emitting elements, even when the semiconductor light-emitting elements are spaced at a large pitch. This makes it possible to suppress a grainy appearance even more.

Furthermore, in one aspect of the light-emitting apparatus according to the present invention, it is preferable that $W_c \leq L_c$, where L_c is a length of each of the semiconductor light-emitting elements in the straight line direction and W_c is a length of each of the semiconductor light-emitting elements in a direction perpendicular to the straight line direction.

With this, it is possible to increase the luminous flux of the light-emitting apparatus and increase the luminance.

Furthermore, in one aspect of the light-emitting apparatus according to the present invention, it is preferable that $W_c \leq W_s/4$.

With this, since the sealing member is formed to have a substantially semicircular cross sectional shape, it is possible to suppress luminance and chromatic unevenness regardless of which angle the light-emitting apparatus (light source) is viewed from.

3

Furthermore, in one aspect of the light-emitting apparatus according to the present invention, it is preferable that $0.9 \leq H_{s45}/H_s \leq 1.1$, where H_s is a height of the sealing member and H_{s45} is a length of the sealing member measured from a center of a cross section of the sealing member at 45 degree angle. Furthermore, in one aspect of the light-emitting apparatus according to the present invention, it is preferable that $0.4 \leq H_s/W_s \leq 0.6$.

With this, since the sealing member is formed to have a semicircular cross sectional shape, it is possible to suppress luminance and chromatic unevenness regardless of which angle the light-emitting apparatus (light source) is viewed from.

Furthermore, in one aspect of the light-emitting apparatus according to the present invention, it is preferable that the light-emitting apparatus further include two electrodes that are formed on the substrate and are for supplying power to the semiconductor light-emitting elements, wherein a first of the two electrodes is formed at a first end of the substrate in a longitudinal direction of the substrate, and a second of the two electrodes is formed at a second end of the substrate in the longitudinal direction of the substrate, and the two electrodes are formed laterally offset toward one longitudinal side of the substrate, based on the sealing member.

Furthermore, in one aspect of the light-emitting apparatus according to the present invention, it is preferable that the sealing member be formed so that a straight line passing a center of a line width of the sealing member and a straight line passing a center of the substrate in a lateral direction of the substrate are different.

Furthermore, in one aspect of the light-emitting apparatus according to the present invention, it is preferable that the sealing member be formed extending to both end edges of the substrate in the longitudinal direction of the substrate.

Furthermore, in one aspect of the light-emitting apparatus according to the present invention, it is preferable that the semiconductor light-emitting elements be spaced at a uniform pitch, and two outermost semiconductor light-emitting elements among the semiconductor light-emitting elements be each positioned half the pitch length from a nearest one of the end edges of the substrate.

Furthermore, in one aspect of the light-emitting apparatus according to the present invention, it is preferable that the semiconductor light-emitting elements be each bonded with a wire, at least a portion of each of the wires be sealed by the sealing member, and all of the wires sealed by the sealing member be provided in a same direction as a straight line direction of the sealing member.

Furthermore, in one aspect of the light-emitting apparatus according to the present invention, it is preferable that the light-emitting apparatus further include a protective element for electrostatic protection of the semiconductor light-emitting elements, wherein the protective element is arranged in a straight line with the semiconductor light-emitting elements.

Furthermore, in one aspect of the light-emitting apparatus according to the present invention, it is preferable that the protective element and all of the semiconductor light-emitting elements be spaced at a uniform pitch.

Furthermore, in one aspect of the light-emitting apparatus according to the present invention, it is preferable that a contour of an end of the sealing member have a curvature.

Furthermore, in one aspect of the light-emitting apparatus according to the present invention, it is preferable that the protective element and each of the semiconductor light-emitting elements be bonded with a wire, at least a portion of each of the wires be sealed by the sealing member, and all

4

of the wires sealed by the sealing member be provided in a same direction as a straight line direction of the sealing member.

Furthermore, in one aspect of the light-emitting apparatus according to the present invention, it is preferable that the light-emitting apparatus further include a first line and a second line that are electrically connected to the semiconductor light-emitting elements, wherein the first line and the second line each have a straight portion formed on the substrate in a straight line substantially parallel to the longitudinal direction of the substrate, and the sealing member is formed between the straight portion of the first line and the straight portion of the second line.

Furthermore, in one aspect of the light-emitting apparatus according to the present invention, it is preferable that the straight portion of the first line and the straight portion of the second line be glass coated.

Furthermore, in one aspect of the light-emitting apparatus according to the present invention, it is preferable that the optical wavelength converter be a phosphor that excites light emitted by the semiconductor light-emitting elements.

Moreover, one aspect of the backlight unit according to the present invention includes the above-described light-emitting apparatus.

Furthermore, in one aspect of the backlight unit according to the present invention, it is preferable that the backlight unit further include a plurality of the light-emitting apparatuses, wherein the light-emitting apparatuses are arranged so that the substrates of the light-emitting apparatuses abut each other.

Moreover, one aspect of the liquid crystal display apparatus according to the present invention includes the above-described backlight unit and a liquid crystal display panel positioned in a path of light emitted from the backlight unit.

Moreover, one aspect of the illumination apparatus according to the present invention includes the above-described light-emitting apparatus.

Furthermore, in one aspect of the illumination apparatus according to the present invention, it is preferable that the illumination apparatus further include a plurality of the light-emitting apparatuses, wherein the light-emitting apparatuses are arranged so that the substrates of the light-emitting apparatuses are abutting each other.

Advantageous Effects of Invention

With the light-emitting apparatus according to the present invention, it is possible to reduce a grainy appearance and suppress chromatic irregularity while suppressing luminance irregularity.

BRIEF DESCRIPTION OF DRAWINGS

FIG. 1 is a birds-eye view of the light-emitting apparatus according to the first embodiment of the present invention.

(a) in FIG. 2 is a planar view of the light-emitting apparatus according to the first embodiment of the present invention, (b) in FIG. 2 is a cross section along the line X-X' in (a), and (c) in FIG. 2 is a cross section along the line Y-Y' in (a).

FIG. 3 is an enlarged planar view of the light-emitting apparatus according to the first embodiment of the present invention.

FIG. 4A shows the luminance characteristics of the light-emitting apparatus according to the first embodiment of the present invention (COB) and a conventional light-emitting apparatus (SMD).

5

FIG. 4B shows the chromatic characteristics (ax) of the light-emitting apparatus according to the first embodiment of the present invention (COB) and a conventional light-emitting apparatus (SMD).

(a) in FIG. 5 is an enlarged planar view of a portion of the light-emitting apparatus according to the first embodiment of the present invention, and (b) in FIG. 5 is an enlarged cross sectional view of the same light-emitting apparatus.

FIG. 6 shows a plurality of the light-emitting apparatuses according to the first embodiment of the present invention lined up.

(a) in FIG. 7 is an enlarged planar view of the connecting portion of the light-emitting apparatuses according to the first embodiment of the present invention lined up in a row, and (b) in FIG. 7 is a side view thereof.

FIG. 8A is a planar view for illustrating the forming method of the sealing member in the light-emitting apparatus according to the first embodiment of the present invention.

FIG. 8B is a side view (a side view of FIG. 8A) for illustrating the forming method of the sealing member in the light-emitting apparatus according to the first embodiment of the present invention.

FIG. 8C is a cross section (a cross section of FIG. 8A) for illustrating the forming method of the sealing member in the light-emitting apparatus according to the first embodiment of the present invention.

(a) in FIG. 9 is a planar view of the light-emitting apparatus according to the second embodiment of the present invention, (b) in FIG. 9 is a cross section along the line X-X' in (a), and (c) in FIG. 9 is a cross section along the line Y-Y' in (a).

FIG. 10 shows the circuitry configuration of the light-emitting apparatus according to the second embodiment of the present invention.

FIG. 11 shows the line pattern on the light-emitting apparatus according to the second embodiment of the present invention.

FIG. 12A is a planar view for illustrating the forming method of the sealing member in the light-emitting apparatus according to the second embodiment of the present invention.

FIG. 12B is a side view (a side view of FIG. 12A) for illustrating the forming method of the sealing member in the light-emitting apparatus according to the second embodiment of the present invention.

FIG. 12C is a cross section (a cross section of FIG. 12A) for illustrating the forming method of the sealing member in the light-emitting apparatus according to the second embodiment of the present invention.

FIG. 13 is an exploded perspective view of the backlight unit according to the third embodiment of the present invention.

FIG. 14 is a cross section of the liquid crystal display apparatus according to the fourth embodiment of the present invention.

FIG. 15 is a perspective view of the illumination apparatus according to the fifth embodiment of the present invention with a portion thereof cut out.

FIG. 16 is a birds-eye view of the illumination apparatus according to the sixth embodiment of the present invention.

FIG. 17A is a planar view of a conventional SMD type light-emitting apparatus.

FIG. 17B is a perspective view of a SMD type LED element used in a conventional SMD type light-emitting apparatus.

6

DESCRIPTION OF EMBODIMENTS

Hereinafter, embodiments of the light-emitting apparatus, backlight unit, liquid crystal display apparatus, and illumination apparatus according to the present invention will be described with reference to the drawings. It is to be noted that each of the embodiments described below shows a specific example of the present invention. The numerical values, shapes, materials, structural elements, the arrangement and connection of the structural elements etc. shown in the following exemplary embodiments are mere examples, and therefore do not limit the present invention, the scope of which is limited only by the appended Claims. Therefore, among the structural elements in the following exemplary embodiments, structural elements not recited in any one of the independent claims defining the most generic part of the inventive concept are described as preferred structural elements, and are not absolutely necessary to overcome the problem according to the present invention.

Moreover, in each of the drawings, the x, y, and z axes are mutually orthogonal, and in each of the embodiments, the x axis direction is the lengthwise direction of the substrate, the y axis direction a direction orthogonal to the x axis, and the z axis direction is a direction orthogonal to both the x axis and they axis. It should be noted that the dimensions and such in the drawings are not strictly accurate.

First Embodiment

First, the general structure of the light-emitting apparatus **100** according to the first embodiment of the present invention will be described with reference to FIG. 1. FIG. 1 is a birds-eye view of the light-emitting apparatus according to the first embodiment of the present invention.

As FIG. 1 shows, the light-emitting apparatus **100** according to the first embodiment of the present invention is a line-shaped light source which emits light in the shape of a line, and includes a light-emitting unit **110** formed in a line shape on a substrate **10** which emits a predetermined light. As will be described later, the light-emitting unit **110** is made up of a plurality of LED chips arranged in a line (one dimension) and a sealing member including a phosphor.

It should be noted that the light-emitting apparatus **100** according to the first embodiment is a COB (chip on board) type light-emitting apparatus in which the LED chips (bare chips) mounted directly on the substrate **10** as sealed with a phosphor-containing resin.

Next, the structure of the light-emitting apparatus **100** according to the first embodiment of the present invention will be described in detail with reference to FIG. 2. FIG. 2 is a planar view of the light-emitting apparatus according to the first embodiment of the present invention. Moreover, (b) in FIG. 2 shows a cross section (substrate longitudinal direction cross section) of the light-emitting apparatus according to the first embodiment of the present invention along the line X-X', and (c) in FIG. 2 shows a cross section (substrate lateral direction cross section) of the light-emitting apparatus according to the first embodiment of the present invention along the line Y-Y'.

As FIG. 2 shows, the light-emitting apparatus **100** according to the first embodiment of the present invention is a LED module (light-emitting module) of a plurality of modularized LED chips, and includes a substrate **10**, a plurality of LEDs **20**, a sealing member **30**, a line **40**, a protective element **50**, a first electrode **61**, a second electrode **62**, and wiring **70**. Hereinafter, each structural element of the light-emitting apparatus **100** will be described in detail.

First the substrate **10** will be described. The substrate **10** is an elongated rectangular substrate for mounting the LEDs **20**. The aspect ratio $L1/L2$ of the elongated substrate **10** preferably satisfies $10 \leq L1/L2$, where $L1$ is the length of the substrate **10** in the longitudinal direction (lengthwise direction) (longitudinal length) and $L2$ is the length of the substrate **10** in the lateral direction (lateral length).

For example, a ceramic substrate made from alumina or a translucent aluminum nitride, an aluminum substrate made from aluminum alloy, a transparent glass substrate, or a flexible substrate (FPC) made from resin may be used as the substrate **10**. It should be noted that when a metal based substrate such as an aluminum substrate is used, an insulating film made from an organic material such as polyimide is formed on the substrate **10**. Additionally, in order to improve the reflectivity of the entire surface of the substrate, a white resist material (reflective film) may be formed on the substrate **10**.

In the first embodiment, a ceramic substrate made from alumina having a rectangular shape is used as the substrate **10**, where $L1$ is 140 mm, $L2$ is 5.5 mm, and the thickness thereof is 1.0 mm. Moreover, it is possible to increase $L1$ to 280 mm and use an even further elongated substrate.

Next, the LEDs **20** will be described. The plurality of LEDs **20** are an example of the semiconductor light-emitting elements, and are mounted directly on the substrate **10**. The plurality of LEDs **20** are arranged in a single line (in a straight line shape) along the longitudinal direction of the substrate **10**. It should be noted that in the first embodiment, 24 LEDs **20** are arranged in a single line.

A bare chip which emits monochromatic visible light can be used for each of the LED **20**s, and the LED **20**s can be die-bonded to the substrate **10** with a die attaching material (die bonding material). A blue LED chip which emits blue light may be used for each of the LED **20**s, for example. A gallium nitride semiconductor light-emitting element formed from InGaN material, for example, and having a central wavelength of 440 nm to 470 nm, can be used as the blue LED chip. It should be noted that in the first embodiment, a square blue LED chip with a side length of 346 μm is used as the LED **20**, but a rectangular LED chip can be used.

Furthermore, in the first embodiment, the 24 LEDs **20** are spaced at a uniform pitch so that the distance between neighboring LEDs **20** is uniform throughout. Moreover, the two outermost LEDs **20** among the LEDs **20** arranged in line are each positioned half the pitch length of the LEDs **20** from the nearest lateral side edge of the substrate **10**. In other words, the distance between the first LED **20** in the line and the nearest lateral side edge of the substrate and the distance between the last LED **20** in the line and the nearest lateral side edge of the substrate is half the pitch of the LEDs **20** ($1/2$ pitch). It should be noted that in the first embodiment, the pitch of the LEDs **20** is 5.85 mm.

Next, the sealing member **30** will be described. The sealing member **30** is a phosphor-containing resin which contains a phosphor that is an optical wavelength converter, and converts the wavelength of the light from the LEDs **20** while sealing and protecting all of the LEDs **20** on the substrate **10** collectively. The sealing member **30** is formed on the substrate **10** in a straight line along the direction of arrangement of the LEDs **20**.

Furthermore, in the first embodiment, the straight line (stripe) sealing member **30** is formed so that a straight line running in the straight line direction (stripe direction) through the center of the line width (stripe width) of the sealing member **30** and a straight line running through the

center of the substrate in the lateral direction (a line that connects the center of the two opposing lateral sides) are different. More specifically, as (a) in FIG. 2 shows, the sealing member **30** is formed laterally offset from a straight line running through the center of the lateral direction of the substrate **10**, toward one longitudinal side of the substrate **10**.

Moreover, the sealing member **30** extends to the vicinity of both end edges of the substrate **10** in the longitudinal direction. In other words, the sealing member **30** is formed continuously from one end surface of the lateral side of the substrate **10** to another end surface of the opposite lateral side of the substrate **10** (see FIG. 1).

It should be noted that when blue LEDs are used for the LEDs **20**, a phosphor-containing resin that is a silicon resin dispersed with yttrium aluminum garnet (YAG) yellow phosphor particles may be used as the sealing member **30** in order to achieve a white light. Moreover, in the first embodiment, the sealing member **30** is formed to have a straight line direction length of 140 mm, a line width of 1.5 mm, and a center maximum height of 0.6 mm.

As described, in the first embodiment, blue LED chips are used as the LEDs **20**, and a phosphor-containing resin containing yellow phosphor particles is used as the sealing member **30**. With this, since the yellow phosphor particles are excited by the blue light from the LED chips and radiate a yellow light, a white light is radiated from the sealing member **30** (the light-emitting unit **110**) due to the excited yellow light and the blue light from the LED chip.

Next, the line **40** will be described. The line **40** is a conductive member and is patterned in a predetermined shape for electrically connecting each of the LEDs **20**. Furthermore, the line **40** is patterned in a predetermined shape for electrically connecting the LEDs **20** and the protective element **50**. It should be noted that the line **40** is electrically connected to the first electrode **61** and the second electrode **62**.

In the first embodiment, the line **40** is formed to connect all of the LEDs **20** in series. Moreover, a metal line such as a tungsten (W) or copper (Cu) line having a surface plated with gold (Au), for example, can be used as the line **40**.

Next, the protective element **50** will be described. The protective element **50** is an electrostatic protection element for electrostatic protection of the LEDs **20**. One or more of the protective elements **50** are mounted on the substrate **10**. The protective element **50** prevents the LEDs **20**, which have a low reverse breakdown voltage, from being destroyed by static electricity of an opposite polarity which generates on the substrate **10**. For this reason, the protective element **50** is provided connected in parallel, in a polarity opposite that of the LEDs **20**. A zener diode, for example, is used as the protective element **50**, and in the first embodiment, one zener diode is provided on the substrate **10**.

Next, the first electrode **61** and the second electrode **62** will be described. The first electrode **61** and the second electrode **62** are electrode terminals (power feeding units) for connection to a power source external to the light-emitting apparatus **100**, and are electrically connected to the line **40**. Power is supplied to each LED **20** via the line **40** and the wiring **70** as a result of power being supplied from the external power source to the first electrode **61** and the second electrode **62**. For example, by connecting a DC power source to the first electrode **61** and the second electrode **62**, it is possible to supply DC electricity to each LED **20**. This allows the LEDs **20** to emit light, whereby a desired light is

radiated from the LEDs **20**. It should be noted that in the first embodiment, the first electrode **61** and the second electrode **62** are made of gold (Au).

Furthermore, in the first embodiment, the first electrode **61** and the second electrode **62** are positioned opposite each other at both lateral sides. In other words, the first electrode **61** is formed at one end of the substrate **10** in the longitudinal direction (one lateral side end), and the second electrode **62** is formed at the other end of the substrate **10** in the longitudinal direction (the other lateral side end).

Moreover, the first electrode **61** and the second electrode **62** are formed laterally offset toward one longitudinal side of the substrate **10** based on the sealing member **30**. In other words, the first electrode **61** and the sealing member **30** are formed aligned in the lateral direction of the substrate **10**, and the second electrode **62** is formed, based on the sealing member **30**, toward a side of the sealing member **30** on which the first electrode **61** is formed.

Next, the wiring **70** will be described. The wiring **70** is electrical wiring for electrically connecting the LEDs **20** and the line **40**, and is, for example, gold wiring. A p-side electrode and an n-side electrode are formed on the chip of each LED **20** for supplying current, and the p-side electrode and the n-side electrode are wire-bonded to the line **40** by the wiring **70**.

The entirety of the wiring **70** is embedded in the sealing member **30**, but when the size of the sealing member **30** is reduced to improve light extraction efficiency, there are cases when a portion of the wiring **70** is exposed from the sealing member **30**. As such, at least a portion of the wiring **70** is sealed by the sealing member **30**.

Moreover, in the first embodiment, all of the wiring **70** sealed by the sealing member **30** is provided in a same direction as the straight line direction of the sealing member **30**. In other words, all of the wiring **70** connected to the LEDs **20** is provided positioned in a straight line in a planar view.

Next, the functionality of the light-emitting apparatus **100** according to the first embodiment of the present invention will be described in detail with reference to FIG. 3. FIG. 3 is an enlarged planar view of the light-emitting apparatus according to the first embodiment of the present invention.

As described above, the light-emitting apparatus **100** according to the first embodiment of the present invention includes a sealing member **30** (phosphor-containing resin) which seals the LEDs **20** collectively and is formed in a straight line along the direction of arrangement of the LEDs **20**.

With this, the sealing member **30** is present between neighboring LEDs **20** as well, which eliminates non light-emitting regions between neighboring LEDs **20**. In other words, as FIG. 3 shows, since a portion of the light emitted from the LEDs **20** is reflected at the interface of the sealing member **30** and airspace in the direction of the line width of the sealing member **30** and continues in the sealing member **30**, it is possible to increase light in the straight line direction of the sealing member **30** (the longitudinal direction of the substrate **10**). As such, regions between neighboring LEDs **20** can be made light-emitting regions, thereby eliminating a grainy appearance, and making it possible to achieve the advantageous effect of suppressing luminance irregularity.

In this case, assuming L_s is the length of the sealing member **30** in the straight line direction (length in the longitudinal direction of the substrate **10** in the sealing member **30**) and W_s is the line width of the sealing member **30** (length of the substrate **10** in the lateral direction in the sealing member **30**), it is acceptable if L_s and W_s are

appropriately set in accordance with the desired size and shape of the light-emitting apparatus, but it is preferable that $10 \leq L_s/W_s$. It is even more preferable that $30 \leq L_s/W_s$. For example, when W_s is in a range of $0.8 \text{ mm} \leq W_s \leq 3.0 \text{ mm}$, by adjusting L_s to a range of $3.0 \text{ mm} \leq L_s \leq 300.0 \text{ mm}$, it is possible to achieve a long, thin, line-shaped sealing member **30**, a stripe shape of which is long in length and narrow in width. More specifically, when L_1 of the substrate **10** is 140 mm, $L_s=140$ and $W_s=1.4$ is possible. Moreover, when L_1 of the substrate **10** is 280 mm, $L_s=280$ and $W_s=1.4$ is possible.

In this way, by making L_s and W_s satisfy $10 \leq L_s/W_s$, it is possible to achieve an elongated sealing member **30** having a narrow line width, and as such, even when the pitch of the LEDs **20** is large, the light reflected at the interface of the sealing member **30** and airspace can pass between neighboring LEDs **20**. This makes it possible to reduce a grainy appearance even further.

In other words, even if the sealing member **30** is formed in a straight line, a large line width and/or a large LED pitch results in a grainy appearance. Conversely, by appropriately adjusting the straight line shape of the sealing member **30** within the above-described ranges, it is possible to suppress a grainy appearance. It should be noted that in order to visually eliminate a grainy appearance, the pitch P of the LEDs **20** is preferably $1.0 \text{ mm} \leq P \leq 3.0 \text{ mm}$. This makes it possible to improve luminance uniformity between pitches of the LEDs **20**.

Moreover, as described above, since the sealing member **30** which covers the LEDs **20** in whole is formed in a straight line in the direction of arrangement of the LEDs **20**, the sealing member **30** is continuous within the module. This provides the advantageous effect that it is possible to suppress difference in chromaticity in the module due to internal diffusion. In particular, it is possible to suppress chromatic unevenness in the center, which serves the most function in emitting light.

With the light-emitting apparatus **100** according to the first embodiment of the present invention, it is possible to reduce a grainy appearance and suppress luminance unevenness (irregularity) while suppressing chromatic unevenness (irregularity).

Actual tests pertaining to the advantageous effects of the light-emitting apparatus **100** according to the first embodiment were conducted. Hereinafter results of those tests will be described with reference to FIG. 4A and FIG. 4B. FIG. 4A shows the luminance characteristics of the light-emitting apparatus according to the first embodiment of the present invention (COB) and a conventional light-emitting apparatus (SMD). Moreover, FIG. 4B shows the chromatic characteristics (Δx) of the light-emitting apparatus according to the first embodiment of the present invention (COB) and a conventional light-emitting apparatus (SMD). It should be noted that in FIG. 4A and FIG. 4B, the characteristics shown in (a1) and (b1), the characteristics shown in (a2) and (b2), and the characteristics shown in (a3) and (b3) are results of measurements taken in the direction A, direction B, and direction C. Moreover, in these tests, the LED chips used in the light-emitting apparatus according to the first embodiment (COB) and the conventional light-emitting apparatus (SMD) are substantially the same.

As the bottom portion of FIG. 4A shows, in the conventional light-emitting apparatus (SMD), luminance irregularity in each of directions A, B, and C is great. Particularly in direction C, when compared to direction A and direction B, it can be seen that luminance is uniformly low.

On the other hand, as the upper portion of FIG. 4A shows, in the light-emitting apparatus according to the first embodi-

ment (COB), luminance irregularity in each of the directions A, B, and C is low, and compared to the conventional light-emitting apparatus (SMD), luminance irregularity is suppressed.

In particular, with the conventional light-emitting apparatus (SMD), luminance irregularity of light emitted from the side walls increases since mounting the LEDs (SMDs) at an angle or singularity irregularity causes unevenness in wall surface thickness of the cavity unit, but with the light-emitting apparatus according to the first embodiment (COB), luminance of the light emitted from the side walls is even, not irregular. In other words, compared to the conventional light-emitting apparatus (SMD), the light-emitting apparatus according to the first embodiment (COB) is capable of reducing a grainy appearance in angles at which the light-emitting apparatus (light source) is viewed.

Moreover, as the bottom portion of FIG. 4B shows, in the conventional light-emitting apparatus (SMD), difference in chromaticity and chromatic unevenness in each of the directions A, B, and C is large.

On the other hand, as the upper portion of FIG. 4B shows, in the light-emitting apparatus according to the first embodiment (COB), difference in chromaticity in each of the directions A, B, and C is low, and compared to the conventional light-emitting apparatus (SMD), chromatic irregularity is suppressed.

In this way, with the light-emitting apparatus 100 according to the first embodiment, it is possible to suppress luminance unevenness (irregularity) while suppressing chromatic unevenness (irregularity).

Here, luminance unevenness and chromatic unevenness is also affected by the cross-sectional shape of the sealing member 30 and the shape of the LEDs 20. This point will be described with reference to FIG. 5. (a) in FIG. 5 is an enlarged planar view of a portion of the light-emitting apparatus according to the first embodiment of the present invention, and (b) in FIG. 5 is an enlarged cross sectional view of the same light-emitting apparatus.

It is preferable that $W_c \leq L_c$, where L_c is the length (length of the LED chip) in the x axis direction (lengthwise direction of the substrate 10) of the LED 20 (LED chip) and W_c is the length of the LED 20 (LED chip) (width of the LED chip) in they axis direction of the substrate 10, as (a) in FIG. 5 shows. With this, it is possible to increase the luminous flux of the light-emitting apparatus 100 and increases the luminance of the light-emitting apparatus 100. It should be noted that luminous flux was found to increase 3% when $W_c \leq L_c$ compared to when $W_c > L_c$.

Furthermore, it is preferable that $W_c \leq W_s/4$, where W_s is the length of the sealing member 30 in they axis direction of the substrate 10. With this, it is possible to make it appear like there are no LED 20s in the sealing member 30, and form the sealing member 30 to have a substantially semi-circle cross sectional shape. As a result, it is possible to suppress luminance unevenness and chromatic unevenness regardless of from which angle the light-emitting apparatus 100 (light source) is viewed at.

It should be noted that in order to facilitate emission of light in they axis direction and the z axis direction, it is preferable that the distance from center to center of the chips of neighboring LEDs 20 be 6 mm or less. Additionally, the distance between the edges of the chips of neighboring LED 20s is preferably 5.5 mm or less.

Moreover, it is preferable that $0.9 \leq H_{s_{45}}/H_s \leq 1.1$, where W_s is the line width of the sealing member 30, H_s is the height of the sealing member 30, and $H_{s_{45}}$ is the length (thickness) of the sealing member 30 from the center of the

sealing member 30 in a yz cross section of the sealing member 30 measured at 45 degree angle, as (b) in FIG. 5 shows. Moreover, it is preferable that $0.4 \leq H_s/W_s \leq 0.6$. With this, since the sealing member 30 can be formed to have a substantially semicircular cross sectional shape, it is possible to suppress luminance and chromatic unevenness regardless of which angle the light-emitting apparatus 100 (light source) is viewed from. In particular, it is preferable that $H_{s_{45}}/H_s = 1.0$, $H_s/W_s = 0.5$.

Moreover, in the light-emitting apparatus 100 according to the first embodiment of the present invention, the sealing member 30 is formed in a straight line relative to the LEDs 20 arranged in a straight line. With this, the state of the sealing member 30 formed to encompass the LEDs 20 is balanced since the configuration centered around any given one of the LEDs 20 is the same throughout. As such, even if a chromatic unevenness were to develop, the unevenness would be cyclic, and would not stand out, meaning it is possible to achieve a steady emission of light. It should be noted that in the case where the sealing member in a single module is formed discontinuously, when the modules are used lined up in a row, difference in chromaticity arises between the modules, and chromatic unevenness arises in the side wall direction.

Moreover, in the light-emitting apparatus 100 according to the first embodiment of the present invention, the first electrode 61 and the second electrode 62 are formed laterally offset toward one longitudinal side of the substrate 10 based on the sealing member 30. In this way, by positioning the first electrode 61 and the second electrode 62 to be offset to one side of the substrate in the lateral direction, it is possible to reduce the width of the substrate 10 (lateral length) compared to when the first electrode 61 and the second electrode 62 are positioned on both sides. This makes it possible to realize a long, thin, line-shaped light-emitting module while keeping cost down.

Moreover, in the light-emitting apparatus 100 according to the first embodiment of the present invention, all of the wiring 70 sealed by the sealing member 30 is provided in a same direction as the straight line direction of the sealing member 30. With this, it is possible to form the sealing member 30 to have a stable shape.

In other words, when forming the sealing member 30, when the sealing member material is applied, the sealing member material is pulled in the line direction of the wiring 70. As such, when the line direction of the wiring 70 is different from the straight line direction of the sealing member 30, there are cases when the sealing member 30 cannot be made in the preferable straight line shape (stripe shape). For example, there are cases when sections of the sealing member 30 have different line widths, meaning the line width is not constant throughout. In light of this, by making the line direction of the wiring 70 the same as the straight line direction of the sealing member 30, the sealing member material is only pulled in the straight line direction in the application of the sealing member material. With this, it is possible to easily form the sealing member 30 having a uniform line width.

Moreover, the light-emitting apparatus 100 according to the first embodiment is very useful when extremely long light source is required, such as in roughly 1200 mm long straight tube LED lamps. This is because in the light-emitting apparatus 100 according to the first embodiment, the sealing member 30 is formed all the way to both edges of the substrate 10 in the longitudinal direction, as the light-emitting unit 110 in the previously described FIG. 1 shows. For this reason, when a number of the light-emitting

apparatuses **100** are connected together, the sealing members **30** of neighboring light-emitting apparatuses **100** can be connected seamlessly. As such, with this configuration, since a line-shaped light source configured of a plurality of the light-emitting units connected together can be realized, it is possible to realize a line-shaped light source greater than 1000 mm.

Here, the method of connecting the plurality of light-emitting apparatuses **100** is not particularly limited. For example, possible methods include: a method of preparing a plurality of light-emitting apparatuses **100** provided with fitting locations at the ends of the substrate as connecting units and fixing the substrates with fasteners while the fitting locations are overlapping, for example; a method of laying lines in a region in which the sealing member **30** is not formed from among substrates of neighboring light-emitting apparatuses **100** and connecting them together with a line bridge structure; or a method of preparing a single elongated board shaped member and adhering or fastening thereon a plurality of the light-emitting apparatuses **100** to form one line-shaped light source.

As described above, the method of connecting a plurality of the light-emitting apparatuses **100** is not particularly limited, and may be any method which allows for the mechanical and electrical connection between the plurality of light-emitting apparatuses, and for example, when a line having the same thickness as the sealing member is used to fix the light-emitting apparatuses, there is concern that a shadowed area will develop as a result of the line and reduce the line-shaped light source properties. For this reason, when a plurality of the light-emitting apparatuses **100** are connected, it is preferable to use a method which connects them without forming a shadowed area in the connection portion. More specifically, this includes a method of mechanically connecting the light-emitting apparatuses **100** together using a wire substantially thinner (for example, 0.5 mm or less) than the width of the lateral direction of the sealing member, a method of forming the end portions of the light-emitting apparatuses **100** so that the end portions of the substrates of neighboring light-emitting apparatuses **100** overlap, and riveting the overlapping end portions thereof, and a method of fixing the substrates of the light-emitting apparatuses **100** lined up together with latches such as clips.

It should be noted that it is preferable that the sealing member **30** is formed only in a single straight line without any bends. When there is a bend in the sealing member, chromatic unevenness arise in this area, but by forming the sealing member **30** into a single straight line, it is possible to suppress such chromatic unevenness. Moreover, when the sealing member is configured in a plurality of lines, re-excitation occurs between neighboring lines and chromatic irregularities develop, multiple coating processes are required to form the sealing member and difference in chromaticity develops in the module, but by forming the sealing member **30** only in a single line, it is possible to suppress the development of such chromatic irregularities and difference in chromaticity.

Next, the operational advantages of using a plurality of the light-emitting apparatuses **100** according to the first embodiment of the present invention lined up in a row will be described with reference to FIG. 6. FIG. 6 shows (a portion of) a plurality of the light-emitting apparatuses according to the first embodiment of the present invention lined up. It should be noted that in FIG. 6, light-emitting apparatuses **100A** and **100B** have the same configuration as the light-emitting apparatus **100** according to the first embodiment of the present invention.

When a plurality of the light-emitting apparatuses according to the first embodiment of the present invention are provided line up in a row, the plurality of light-emitting apparatuses are arranged to connect together in a lengthwise direction. For example, as FIG. 6 shows, the light-emitting apparatuses **100A** and **100B** are arranged connected together in the lengthwise direction of the light-emitting apparatuses **100A** and **100B**. In other words, a lateral side of a substrate **10A** of the light-emitting apparatus **100A** and a lateral side of a substrate **10B** of the light-emitting apparatus **100B** are arranged facing each other and connected to each other.

In this case, in the two neighboring light-emitting apparatuses **100A** and **100B**, a first electrode **61A** of the light-emitting apparatus **100A**, which is a first one of the light-emitting apparatuses, and a second electrode **62B** of the light-emitting apparatus **100B**, which is a second one of the light-emitting apparatuses, are electrically connected together. In other words, the light-emitting apparatus **100A** and the light-emitting apparatus **100B** are connected in series.

Here, in the light-emitting apparatus **100A** (**100B**) according to the first embodiment, the first electrode **61A** (**61B**) and the second electrode **62A** (**62B**) are formed laterally offset toward one longitudinal side of the substrate **10A** (**10B**) based on the sealing member **30A** (**30B**).

With this, since the first electrode **61A** of the light-emitting apparatus **100A** and the second electrode **62B** of the light-emitting apparatus **100B** are next to each other on the same side, the first electrode **61A** and the second electrode **62B** can easily be connected together with a desired conductive member.

Moreover, when the first electrode and the second electrode are arranged diagonally on the substrate, the positional relationship of the first electrode and the second electrode will not change even if the substrate is rotated 180 degrees. In other words, the directionality of the substrate cannot be identified by the first electrode and the second electrode alone. In this case, one of the first electrode and the second electrode is the positive electrode and the other is the negative electrode, so when the light-emitting apparatuses are aligned in a row, there are times when the alignment of the negative electrodes and the positive electrodes is off. In contrast, by arranging the first electrode **61A** (first electrode **61B**) and the second electrode **62A** (second electrode **62B**) offset to one side, like in the first embodiment, the positional relationship between the first electrode **61A** (**61B**) and the second electrode **62A** (**62B**) changes when the substrate is rotated 180 degrees. In other words, with the present embodiment, it is possible to identify the directionality of the substrate **10A** (**10B**) by the first electrode **61** (**61B**) and the second electrode **62A** (**62B**) alone. This eliminates the chance of erroneously positioning the positive electrode and the negative electrode when lining up the light-emitting apparatuses in a row.

Moreover, in the light-emitting apparatus **100A** (**100B**) according to the first embodiment, the sealing member **30A** (**30B**) is formed reaching both edges of the substrate **10A** (**10B**).

With this, when the light-emitting apparatus **100A** and **100B** are arranged next to each other like is shown in FIG. 6, the sealing member **30A** and the sealing member **30B** are continuously connected without break in the location where the light-emitting apparatus **100A** and the light-emitting apparatus **100B** are connected together. With this, since a non light-emitting region is eliminated in the connecting region of the light-emitting apparatus **100A** and the light-emitting apparatus **100B**, it is possible to suppress illumi-

nance and chromatic unevenness which appears when a non light-emitting region exists between light-emitting apparatuses.

Moreover, in the first embodiment, it is preferable that the distance between the first or last LED in the row and the substrate **10A** (**10B**) is half the length of the pitch ($\frac{1}{2}$ pitch) of the LEDs in the light-emitting apparatus **100A** (the LEDs in the light-emitting apparatus **100B**).

With this, when the light-emitting apparatus **100A** and **100B** are arranged next to each other, like FIG. 6 shows, the distance between the LED on the light-emitting apparatus **100A** closest to the light-emitting apparatus **100B** and the LED on the light-emitting apparatus **100B** closest to the light-emitting apparatus **100A** is the same as the pitch between the LEDs. Accordingly, it is possible to make the pitch uniform between all LEDs on all light-emitting apparatuses including the light-emitting apparatus **100A** and the light-emitting apparatus **100B**. This makes it possible to further suppress illuminance and chromatic unevenness between the light-emitting apparatuses.

Moreover, when the light-emitting apparatus **100A** and the light-emitting apparatus **100B** are arranged next to each other, the ends of the sealing member **30A** and the sealing member **30B** facing each other are preferably shaped so that a contour thereof has a curvature. This point will be described with reference to FIG. 7. (a) in FIG. 7 is an enlarged planar view of the connecting portion of the light-emitting apparatuses according to the first embodiment of the present invention lined up in a row, and (b) in FIG. 7 is a side view thereof. It should be noted that the arrows in FIG. 7 indicate the direction in which the light radiated from the end portions of the sealing member travels.

As (a) in FIG. 7 shows, when the sealing member **30A** and **30B** are viewed in a planar view, the contour of the end of each sealing member has a curvature, which facilitates light emission in a diagonal direction. With this, it is possible to suppress a break in light when viewing the connecting portion of the light-emitting apparatus **100A** and **100B**, and possible to make the connection point of the light-emitting apparatus **100A** and light-emitting apparatus **100B** appear less visible. In this case, the contour of the ends of the sealing member **30A** and **30B** in the planar view is preferably a circular arch, and with respect to the line width W_s of the sealing member **30**, the radius R_1 of the curvature of the circular arc is preferably $R_1 = W_s/2$.

Moreover, as (b) in FIG. 7 shows, when the sealing member **30A** and **30B** are viewed from the side, the contour of the end of each sealing member has a curvature, which facilitates light emission in an upward, diagonal direction. With this, it is possible to suppress a break in light when viewing the connecting portion of the light-emitting apparatus **100A** and **100B**, and possible to make the connection point of the light-emitting apparatus **100A** and light-emitting apparatus **100B** appear less visible. In this case, the contour of the ends of the sealing member **30A** and **30B** in the side view is preferably a circular arch, and with respect to the height H_s of the sealing member **30**, the radius R_2 of the curvature of the circular arc is preferably $R_2 = H_s$.

In this way, by making the ends of the sealing member **30A** and **30B** into a semispherical shape, it is possible to prevent a discontinuity in light between neighboring light-emitting apparatuses **100A** and **100B** from occurring. It should be noted that the sealing members may be formed using a dispenser in order to provide each of the ends of the sealing members with a contour having a curvature like described above. In other words, a dispenser may be used to deposit the resin material for the sealing member in a

straight line in order to easily give the edges of the sealing members a contour having a curvature.

Next, the method of forming the sealing member in the light-emitting apparatus **100** according to the first embodiment of the present invention will be described with reference to FIG. 8A through FIG. 8C. FIG. 8A through FIG. 8C illustrate the forming method of the sealing member in the light-emitting apparatus according to the first embodiment of the present invention, where FIG. 8A is a planar view, FIG. 8B is a side view, and FIG. 8C is a cross sectional view.

The sealing member **30** can be applied using a dispenser. As FIG. 8A through FIG. 8C show, a discharge nozzle **600** of the dispenser is positioned facing a given position on the substrate **10** and is driven to move in the longitudinal direction of the substrate **10** while dispensing the sealing member material (phosphor-containing resin). At this time, the sealing member material is dispensed to cover the LEDs **20**, the line **40**, and the wiring **70**.

In the first embodiment, the sealing member material is applied in a single application operation from one lateral side end of the substrate **10** to the other lateral side end. By applying the sealing member material in one application operation, it is possible to suppress the occurrence of difference in chromaticity, for example, within the module, as described above.

It should be noted that after the sealing member material is applied, the sealing member material is hardened according to a given method. With this, it is possible to form the sealing member **30** to have a given shape.

Second Embodiment

Next, the light-emitting apparatus **200** according to the second embodiment of the present invention will be described in detail with reference to FIG. 9. (a) in FIG. 9 is a planar view of the light-emitting apparatus according to the second embodiment of the present invention. Moreover, (b) in FIG. 9 shows a cross section (substrate longitudinal direction cross section) of the light-emitting apparatus according to the second embodiment of the present invention along the line X-X', and (c) in FIG. 9 shows a cross section (substrate lateral direction cross section) of the light-emitting apparatus according to the second embodiment of the present invention along the line Y-Y'.

The basic structure of the light-emitting apparatus **200** according to the second embodiment of the present invention is the same as the light-emitting apparatus **100** according to the first embodiment of the present invention. The line pattern and positioning of the protective element in the light-emitting apparatus **200** according to the second embodiment is different from the light-emitting apparatus **100** according to the first embodiment of the present invention. All other structures are basically the same. Accordingly, in FIG. 9, structural elements that are the same as the structural elements shown in FIG. 2 share the same reference numbers. Additionally, detailed description thereof will be omitted.

As (a) through (c) in FIG. 9 show, compared to the light-emitting apparatus **100** according to the first embodiment of the present invention, the light-emitting apparatus **200** according to the second embodiment of the present invention additionally includes a first line **41** and a second line **42**.

Similar to the line **40**, the first line **41** and the second line **42** are electrically connected to the plurality of LEDs **20** and the protective element **50**, and are patterned into a given shape on the substrate **10**. Here, the line **40** is a line for

connecting the LEDs in series, and similar to the first embodiment, is patterned to connect a plurality of the LEDs 20 (3 LEDs 20 in the second embodiment) in series. On the other hand, the first line 41 and the second line 42 are lines for connecting LEDs in parallel, and are patterned to connect, in parallel, the LEDs 20 connected in series by the line 40. Moreover, the first line 41 and the second line 42 are patterned to also connect the LEDs 20 and the protective element 50 in parallel.

Here, the configuration of the circuitry for the LEDs 20 and the protective element 50 connected by the line 40, the first line 41, and the second line 42 will be discussed with reference to FIG. 10. FIG. 10 shows the circuitry configuration of the light-emitting apparatus according to the second embodiment of the present invention.

The configuration of the circuitry for the LEDs 20 and the protective element 50 in the light-emitting apparatus 200 according to the second embodiment of the present invention is such that, as FIG. 10 shows, groups of three of the LEDs 20 connected in series are connected together in parallel, and the groups of three LEDs 20 connected in series are connected in parallel to the protective element 50.

Next, the line pattern of the line 40, the first line 41, and the second line 42 will be described with reference to FIG. 11. FIG. 11 shows the line pattern on the light-emitting apparatus according to the second embodiment of the present invention.

As FIG. 11 shows, the first line 41 and the second line 42 include a straight portion 41a and 42a, respectively, which have a straight line shape and are the main lines running along the longitudinal direction of the substrate 10.

Furthermore, the first line 41 includes an extending portion 41b which extends from the straight portion 41a toward the straight portion 42a of the second line 42, that is to say, extends in the lateral direction of the substrate 10. Moreover, the second line 42 includes an extending portion 42b which extends from the straight portion 42a toward the straight portion 41a of the first line 41, that is to say, extends in the lateral direction of the substrate 10.

The straight portion 41a of the first line 41 and the straight portion 42a of the second line 42 are formed to be substantially parallel to the longitudinal direction of the substrate 10. The line 40 patterned in a given shape is formed along the longitudinal direction of the substrate 10 between the straight portion 41a of the first line 41 and the straight portion 42a of the second line 42. The extending portion 41b of the first line 41 and the extending portion 42b of the second line 42 are formed to connect three of the LEDs 20 in series along with the line 40, and also function as bonding pads.

Moreover, in the second embodiment, regions on the substrate 10 excluding the first electrode 61, the second electrode 62, and the wire bonding region are glass coated. Consequently, at least the straight portion 41a of the first line 41 and the straight portion 42a of the second line 42 are glass coated. It should be noted that in the second embodiment, a glass coat film having a film thickness of approximately 40 μm is deposited.

Returning to FIG. 9, the sealing member 30 is formed between the straight portion 41a of the first line 41 and the straight portion 42a of the second line 42. Since the distance (separation width) between the straight portion 41a of the first line 41 and the straight portion 42a of the second line 42 is approximately the same as the line width of the sealing member 30, the sealing member 30 is formed by being applied along the straight portion 41a of the first line 41 and the straight portion 42a of the second line 42. In this way, the

first line 41 and the second line 42 are patterned on the substrate 10 so that the line width of the sealing member 30 is a predetermined width.

The LEDs 20 are positioned between each line 40, between the line 40 and the extending portion 41b, and between the line 40 and the extending portion 42b. The LEDs 20, the line 40, and the extending portion 41b or the extending portion 42b are bonded by the wiring 70.

In the second embodiment, the protective element 50 is positioned between the straight portion 41a of the first line 41 and the straight portion 42a of the second line 42, and positioned between the extending portion 41b and the extending portion 42b formed in the center of the substrate 10. The protective element 50 and the extending portion 41b or the extending portion 42b are bonded by the wiring 70.

It should be noted that in the second embodiment, the protective element 50 is arranged in a straight line with the LEDs 20. In other words, the protective element 50 and all of the LEDs 20 are arranged in a single line. All of the wiring bonded to the protective element 50 and the LEDs 20 is provided in a same direction as the straight line direction of the sealing member 30.

With this, the light-emitting apparatus 200 according to the second embodiment of the present invention is capable of achieving the same functionality as the first embodiment.

Furthermore, in the second embodiment, the protective element 50 is arranged in a single line along with the LEDs 20, and the protective element 50, along with the LEDs 20, is sealed by the sealing member 30 collectively.

With this, it is possible to protect both the LEDs 20 and the protective element 50 by sealing them with resin at the same time.

Moreover, in the second embodiment, all of the wiring bonded to the protective element 50 and the LEDs 20 is provided in a same direction as the straight line direction of the sealing member 30.

With this, it is possible to easily form the sealing member 30 having a uniform line width, and possible to form the sealing member 30 having a stable shape, similar to the first embodiment.

It should be noted that in the second embodiment, it is preferable that these elements, including the protective element 50 and all of the LEDs 20, are spaced at the same pitch.

With this, since it is possible to make the changes in wettability of the sealing member 30, which is made from resin, occur in regular intervals in the straight line direction of the sealing member 30, it is possible to maintain an even shape, such as the thickness, of the sealing member 30 in the straight line direction when applying the sealing member material. With this, it is possible to suppress chromatic unevenness even in long, thin, line-shaped light sources that are elongated.

Next, the method of forming the sealing member in the light-emitting apparatus 200 according to the second embodiment of the present invention will be described with reference to FIG. 12A through FIG. 12C. FIG. 12A through FIG. 12C illustrate the forming method of the sealing member in the light-emitting apparatus according to the second embodiment of the present invention, where FIG. 12A is a planar view, FIG. 12B is a side view, and FIG. 12C is a cross sectional view.

Similar to the first embodiment, the sealing member 30 can be applied using a dispenser in the second embodiment as well. In other words, as FIG. 12A through FIG. 12C show, the discharge nozzle 600 of the dispenser is positioned facing a given position on the substrate 10 and is driven to move in the longitudinal direction of the substrate 10 while

dispensing the sealing member material (phosphor-containing resin). It should be noted that in the second embodiment, the sealing member material is applied in a single application operation from one lateral side end of the substrate **10** to the other lateral side end.

In the second embodiment, the sealing member material is applied on the region between the straight portion **41a** of the first line **41** and the straight portion **42a** of the second line **42**. At this time, the lateral spread of the substrate **10** is restricted by the straight portion **41a** of the first line **41** and the straight portion **42a** of the second line **42**, and the sealing member material can be kept from overflowing beyond the straight portion **41a** and the straight portion **42a**. In this way, with the second embodiment, it is possible to easily form the sealing member **30** having an even line width since it is possible to determine the application shape of the sealing member material with the straight portion **41a** of the first line **41** and the straight portion **42a** of the second line **42**, which are substantially parallel. With this, it is possible to suppress difference in chromaticity in the light-emitting apparatus. Moreover, when a plurality of the light-emitting apparatuses are used lined up in a row, it is possible to suppress chromatic irregularity between the light-emitting apparatuses.

Moreover, since the lateral spread of the sealing member material on the substrate **10** can be restricted by the straight portion **41a** and the straight portion **42a**, it is possible to easily form the sealing member **30** having a narrow line width. Consequently, even when the pitch between the LEDs **20** is large, it is possible to further suppress a grainy appearance.

Moreover, since the lateral spread of the sealing member material on the substrate **10** can be restricted by the straight portion **41a** and the straight portion **42a**, it is possible to easily form the sealing member **30** having a narrow line width even when the sealing member material is not very thixotropic and highly fluid. In this way, there is a wide selection of options for the sealing member material.

Moreover, by restricting the lateral spread of the sealing member material on the substrate **10** with the straight portion **41a** and the straight portion **42a**, as FIG. **12C** shows, it is possible to form the surface of the sealing member **30** to have a desired curved surface, and possible to configure the sealing member **30** to have a curved contour in a cross section in the lateral direction. For example, it is possible to configure the sealing member **30** to have a circular arch curved contour in a cross section in the lateral direction. With this, it is possible to increase the light extraction efficiency from the sealing member sealing member **30** and improve the dissipation of heat generated by the LEDs **20**. In this case, by restricting the lateral spread of the sealing member material on the substrate **10**, it is possible to obtain a sealing member **30** of a desired height without increasing the amount of sealing member material applied.

It should be noted that like in the second embodiment, it is possible to increase the thickness of the straight portion **41a** and the straight portion **42a** by glass coating the straight portion **41a** of the first line **41** and the straight portion **42a** of the second line **42**. With this, the sealing member material can be even more effectively kept from overflowing beyond the straight portion **41a** and the straight portion **42a**.

Moreover, in the second embodiment, the straight portion **41a** of the first line **41** and the straight portion **42a** of the second line **42** are glass coated, but the coating is not limited thereto. For example, a plating process may be performed on

the straight portion **41a** and the straight portion **42a** to form a plating layer thereon and thicken the straight portion **41a** and the straight portion **42a**.

Third Embodiment

Hereinafter, application of the light-emitting apparatus according to the first and second embodiments will be discussed based on the third through fifth embodiments.

First, an example of the light-emitting apparatus according to the first and second embodiments of the present invention applied to a backlight unit for liquid crystal display apparatuses will be described with reference to FIG. **13**. FIG. **13** is an exploded perspective view of the backlight unit according to the third embodiment of the present invention.

As FIG. **13** shows, the backlight unit **300** according to the third embodiment of the present invention is an edge light type backlight unit with the light source positioned to the sides of the light guide plate, and includes a chassis **310**, a reflective sheet **320**, a light guide plate **330**, a light-emitting apparatus **340**, an optical sheet group **350**, and a front frame **360**.

The chassis **310** has a flat, box shape, and is formed by pressing a steel plate made from stainless steel, for example. The chassis **310** has an opening **311** on the bottom surface, and a flange portion **312** is formed around the edge of the opening of the chassis **310**. Fastener holes **313** are formed on the flange portion **312** for fastening to the front frame **360**.

The reflective sheet **320** is a sheet made from polyethylene terephthalate (PET), for example, and passes white light from the light-emitting apparatus **340** to the inside of the light guide plate **330** while reflecting the white light.

The light guide plate **330** is a sheet made from polycarbonate (PC) or acryl, for example, and printed on the main surface (rear surface) thereof on the side facing the reflective sheet **320** and opposite the light exiting surface (front surface) thereof is a dot pattern, which includes lighting elements for diffusing light entering the light guide plate **330** and emitting the light from the light exiting surface. Prism shapes or light scattering elements such as light scattering structures formed by being printed or applied on the rear surface of the light guide plate **330**, or light scattering elements formed inside the light guide plate **330**, for example, are used as the lighting elements.

The optical sheet group **350** is configured of a diffusion sheet **351**, a prism sheet **352**, and a polarized sheet **353**, all having the same size and the same planar shape (rectangular shape). The diffusion sheet **351** is a film made from PET or a film made from PC, for example. The prism sheet **352** is a sheet made from polyester, for example, and a restrictive prism pattern is formed from acryl resin on one side. A film made from polyethylene naphthalate, for example, is used as the polarized sheet **353**.

The front frame **360** is fixed to the flange portion **312** of the chassis **310** by fastening fasteners **361** through the fastener holes **313** on the chassis **310**. The front frame **360** holds the light guide plate **330** and the optical sheet group **350** to the chassis **310**.

The light-emitting apparatus **340** is the light-emitting apparatus according to the above-described first and second embodiments. In the third embodiment, four of the light-emitting apparatuses are used, and each are equipped with a heat sink **370**. The four light-emitting apparatuses are arranged such that the substrates of the light-emitting apparatuses are abutting each other, as FIG. **6** shows. It should be noted that the light-emitting apparatuses **340** equipped with

21

the heat sinks **370** are arranged so that the light exiting surfaces thereof face the side of the light guide plate **330**.

The heat sink **370** holds the light-emitting apparatus **340** and is aluminum drawn into an L shape (angle material), for example. The heat sink **370** is fixed to the chassis **310** with a fastener, for example.

Since the backlight unit **300** according to the third embodiment of the present invention uses the light-emitting apparatus according to the first and second embodiments of the present invention, it is possible to realize a backlight unit having a highly uniform luminance wherein luminance irregularity is suppressed.

Fourth Embodiment

Next, an example of the light-emitting apparatus according to the first and second embodiments of the present invention applied to a liquid crystal display apparatus will be described with reference to FIG. **14**. FIG. **14** is a cross section of the liquid crystal display apparatus according to the fourth embodiment of the present invention.

As FIG. **14** shows, the liquid crystal display apparatus **400** according to the fourth embodiment of the present invention is, for example, a liquid crystal television or liquid crystal monitor, and includes a liquid crystal display panel **410**, a backlight unit **420** positioned behind the liquid crystal display panel **410**, and a housing **430** which houses the liquid crystal display panel **410** and the backlight unit **420**.

In the fourth embodiment, the above-described backlight unit according to the third embodiment of the present invention is used as the backlight unit **420**. Moreover, the backlight unit **420** is equipped with a light-emitting apparatus **421**, which is a line-shaped light source. The light-emitting apparatuses **100** and **200** according to the first and second embodiments of the present invention can be used as the light-emitting apparatus **421**.

Since the liquid crystal display apparatus **400** according to the fourth embodiment of the present invention uses the backlight unit **420** in which chromatic and luminance irregularities are suppressed, it is possible to realize a high contrast, high luminance liquid crystal display apparatus with superior display properties.

Fifth Embodiment

Next, an example of the light-emitting apparatus according to the first and second embodiments of the present invention applied to an illumination apparatus will be described with reference to FIG. **15**. FIG. **15** is a perspective view of the illumination apparatus according to the fifth embodiment of the present invention with a portion thereof cut out.

The illumination apparatus **500** according to the fifth embodiment of the present invention is an LED lamp provided with the light-emitting apparatus according to the first and second embodiments of the present invention, and as FIG. **15** shows, is comparable to a straight tube fluorescent lamp used for general purpose lighting.

The illumination apparatus **500** according to the fifth embodiment includes a straight tube **510** formed of an elongated glass tube, a light-emitting apparatus **520** located inside the straight tube **510**, a base **540** attached to both ends of the straight tube **510** and including a pair of base pins **530**, an adhesive (not pictured) for adhering (fixing) the light-emitting apparatus **520** fitted to the straight tube **510**, and light circuitry (not pictured) which receives power via the base **540** and causes the LED chips on the light-emitting

22

apparatus **520** to emit light. It should be noted that the light circuitry may be provided in the lighting fixture external to the LED lamp. The light-emitting apparatuses **100** and **200** according to the first and second embodiments of the present invention can be used as the light-emitting apparatus **520**. Moreover, in the fifth embodiment, a plurality of the light-emitting apparatuses **520** are used, and as FIG. **6** shows, are arranged such that the substrates of the light-emitting apparatuses abut each other.

Since the illumination apparatus **500** according to the fifth embodiment of the present invention uses the light-emitting apparatus according to the first and second embodiments of the present invention, it is possible to realize an illumination apparatus void of luminance irregularities.

Sixth Embodiment

Next, the sixth embodiment of the present invention will be described with reference to FIG. **16**. FIG. **16** is a birds-eye view of the illumination apparatus according to the sixth embodiment of the present invention. The sixth embodiment is an example of the light-emitting apparatus **100** according to the previously described first embodiment applied as an illumination light source for the illumination apparatus. It should be noted that the light-emitting apparatus **200** according to the second embodiment may also be applied to the sixth embodiment.

As FIG. **16** shows, the illumination apparatus **1** according to the sixth embodiment is a base light and includes: the light-emitting apparatus **100**, a lighting fixture **2**, and a fixing member **3** for fixing the light-emitting apparatus **100** to the lighting fixture **2**. The light-emitting apparatus **100** is directly mounted to both the fixing member **3** and the lighting fixture **2**.

The lighting fixture **2** is equipped with light circuitry and such for controlling the lighting of the light-emitting apparatus **100**. Moreover, the lighting fixture **2** includes fastener holes which correspond to the through-holes in the fixing member **3**. In other words, the positions of the through-holes in the fixing member **3** match with the positions of the fastener holes in the lighting fixture **2**. The lighting fixture **2** can be shaped by press forming, for example, a sheet of aluminum or steel, and is directly mounted to a ceiling, for example.

The fixing member **3** is an elongated substrate. For example, an elongated metal based substrate such as an aluminum substrate can be used for the fixing member **3**. The fixing member **3** is provided with a plurality of through-holes, and when the fixing member **3** and the lighting fixture **2** are to be fixed together, the through-holes of the fixing member **3** and the fastener holes of the lighting fixture **2** line up, fasteners **4** are placed in the through-holes, and the fasteners **4**, the through-holes, and the fastener holes are fastened together.

In the sixth embodiment, the through-holes are alternately provided on the longitudinal sides of the fixing member **3**. For example, as FIG. **16** shows, it is possible to provide four through-holes on one longitudinal side of the fixing member **3**, and provide three through-holes on the other longitudinal side of the fixing member **3** in locations not directly across from the through-holes provided on the other side. The fixing method of the fixing member **3** and the light-emitting apparatus **100** is not particularly limited to a single method. For example, the fixing member **3** and the light-emitting apparatus **100** may be fixed together with an adhesive, for example.

While it is not pictured in the Drawings, it should be noted that a transparent cover may be provided to cover the light-emitting apparatus **100**. Moreover, a plurality of the light-emitting apparatuses **100** may be provided in one illumination apparatus. In this case, a plurality of the light-emitting apparatuses **100** may be fixed to one fixing member **3**, or one fixing member **3** to which one light-emitting apparatus **100** is fixed may be provided in plurality on the lighting fixture **2**. Moreover, in the sixth embodiment, the through-holes on the fixing member **3** are provided on both longitudinal sides of the substrate, but the through-holes may be provided on just one longitudinal side. Moreover, in the sixth embodiment, fastener holes are formed by providing through-holes in the fixing member **3**, but cut-out portions instead of throughholes may be provided as a structure for allowing the passage of the fasteners **4**. For example, it is possible to provide semicircle cut-outs along a longitudinal side of the fixing member **3** and fasten the fasteners using these cut-outs. Moreover, a standardized member may be used as the fixing member **3**.

Furthermore, in the sixth embodiment, the light-emitting apparatus **100** is fixed to the fixing member **3**, and this is attached to the lighting fixture **2** as a module, but the fixing member **3** itself may be used as the substrate **10** of the light-emitting apparatus **100**. In other words, the substrate **10** of the light-emitting apparatus **100** may be configured to function as the fixing member **3** as well, and the light-emitting apparatus **100** may be directly attached to the lighting fixture **2** without the use of the fixing member **3**. In this case, the substrate **10** of the light-emitting apparatus **100** may be provided with fastening through-holes or cut-outs for fixing with fasteners.

Heretofore, the light-emitting apparatus, backlight unit, liquid crystal display apparatus, and illumination apparatus according to the present invention has been described based on the first through sixth exemplary embodiments, but the scope of the present invention is not limited thereto. For example, the present invention also includes embodiment variants conceived by those skilled in the art unless they depart from the spirit and scope of the present invention. Moreover, embodiments resulting from arbitrary combinations of constituent elements of different exemplary embodiments are intended to be included within the scope of the present invention as long as these do not depart from the essence of the present invention.

Moreover, in the above exemplary embodiments, as an application example of the light-emitting apparatus, application to a backlight unit, liquid crystal display apparatus, or illumination apparatus is described, but application of the light-emitting apparatus is not limited to these examples. Other applications include, for example, a lamp source in a photocopier, an emergency exit light, or a light in a billboard apparatus. Furthermore, the light-emitting apparatus can also be used as a light source in industrial applications such as a line light source for inspection purposes.

Moreover, in the above exemplary embodiments, each light-emitting apparatus is configured of blue light LEDs and yellow phosphors in order to radiate a white light, but this configuration is not limiting. For example, a phosphor-containing resin containing red phosphors or green phosphors may be used in conjunction with blue light LEDs to radiate a white light. Moreover, LEDs which emit a light other than blue light may be used.

Moreover, in the above exemplary embodiments, the semiconductor light-emitting elements used in each light-emitting apparatus are LEDs, but the semiconductor light-

emitting elements used may be semiconductor lasers, organic electro luminescence (EL) or inorganic EL light-emitting elements.

INDUSTRIAL APPLICABILITY

The present invention can be widely applied to light-emitting apparatuses using semiconductor light-emitting elements such as LEDs as a light source, backlight units, liquid crystal display apparatuses, illumination apparatuses such as straight tube fluorescent lamps, emergency exit lamps, or electronic devices such as photocopiers, or in industrial applications such as line light sources for inspection purposes.

REFERENCE SIGNS LIST

- 1** illumination apparatus
- 2** lighting fixture
- 3** fixing member
- 4** fastener
- 10, 10A, 10B, 1010** substrate
- 20, 1020** LED
- 30, 30A, 30B, 1030** sealing member
- 40** line
- 41** first line
- 41a, 42a** straight portion
- 41b, 42b** extending portion
- 42** second line
- 50** protective element
- 61, 61A, 61B** first electrode
- 62, 62A, 62B** second electrode
- 70** wiring
- 100, 200, 100A, 100B, 340, 421, 520, 1000** light-emitting apparatus
- 110** light-emitting unit
- 300, 420** backlight unit
- 310** chassis
- 311** opening
- 312** flange portion
- 313** fastener hole
- 320** reflective sheet
- 330** light guide plate
- 350** optical sheet group
- 351** diffusion sheet
- 352** prism sheet
- 353** polarized sheet
- 360** front frame
- 361** fastener
- 370** heat sink
- 400** liquid crystal display apparatus
- 410** liquid crystal display panel
- 430** housing
- 500** illumination apparatus
- 510** straight tube
- 530** base pin
- 540** base
- 600** discharge nozzle
- 1100** SMD type LED element
- 1101** cavity

The invention claimed is:

1. A light-emitting apparatus comprising:
 - an elongated substrate;
 - a plurality of semiconductor light-emitting elements arranged in a straight line on the substrate in a longitudinal direction of the substrate;

25

two electrodes provided on the substrate on a same side of the substrate as the semiconductor light-emitting elements and *that* supply power to the plurality of semiconductor light-emitting elements; and
 a sealing member that includes an optical wavelength converter and that seals the semiconductor light-emitting elements, the electrodes being disposed externally of the sealing member,
 wherein the sealing member extends along a straight line in a direction of arrangement of the semiconductor light-emitting elements, extends in the longitudinal direction of the substrate, to both end edges of the substrate, is spaced from each longitudinal edge of the substrate and seals the semiconductor light-emitting elements collectively,
*wherein the semiconductor light-emitting elements are spaced at a uniform pitch length, and
 wherein two outermost semiconductor light-emitting elements, among the semiconductor light-emitting elements, are each positioned half the pitch length from a nearest one of the end edges of the substrate.*

2. The light-emitting apparatus according to claim 1, wherein a first of the two electrodes is provided at a first end of the substrate in a longitudinal direction of the substrate, and a second of the two electrodes is provided at a second end of the substrate in the longitudinal direction of the substrate, and the two electrodes are laterally offset toward one longitudinal side of the substrate with respect to a longitudinal centerline of the substrate.

3. [The light-emitting apparatus according to claim 2,] *A light-emitting apparatus comprising:
 an elongated substrate;
 a plurality of semiconductor light-emitting elements arranged in a straight line on the substrate in a longitudinal direction of the substrate;
 two electrodes provided on the substrate on a same side of the substrate as the semiconductor light-emitting elements and that supply power to the plurality of semiconductor light-emitting elements; and
 a sealing member that includes an optical wavelength converter and that seals the semiconductor light-emitting elements, the electrodes being disposed externally of the sealing member,
 wherein the sealing member extends along a straight line in a direction of arrangement of the semiconductor light-emitting elements, extends in the longitudinal direction of the substrate, to both end edges of the substrate, is spaced from each longitudinal edge of the substrate and seals the semiconductor light-emitting elements collectively, and*
 wherein the sealing member is configured so that a longitudinal centerline of the sealing member does not overlap the longitudinal centerline of the substrate.

[4. The light-emitting apparatus according to claim 1, wherein the semiconductor light-emitting elements are spaced at a uniform pitch length, and two outermost semiconductor light-emitting elements, among the semiconductor light-emitting elements, are each positioned half the pitch length from a nearest one of the end edges of the substrate.]

5. The light-emitting apparatus according to claim 1, wherein the semiconductor light-emitting elements are each bonded with a wire, at least a portion of each of the wires is sealed by the sealing member, and all of the

26

wires sealed by the sealing member are provided in a same direction as a straight line direction of the sealing member.

6. [The light-emitting apparatus according to claim 1, further comprising] *A light-emitting apparatus comprising:
 an elongated substrate;
 a plurality of semiconductor light-emitting elements arranged in a straight line on the substrate in a longitudinal direction of the substrate;
 two electrodes provided on the substrate on a same side of the substrate as the semiconductor light-emitting elements and that supply power to the plurality of semiconductor light-emitting elements;
 a sealing member that includes an optical wavelength converter and that seals the semiconductor light-emitting elements, the electrodes being disposed externally of the sealing member, and
 a protective element for electrostatic protection of the semiconductor light-emitting elements,
 wherein the sealing member extends along a straight line in a direction of arrangement of the semiconductor light-emitting elements, extends in the longitudinal direction of the substrate, to both end edges of the substrate and seals the semiconductor light-emitting elements collectively, and*
 wherein the protective element is arranged in a straight line with the semiconductor light-emitting elements.

7. The light-emitting apparatus according to claim 6, wherein the protective element and the semiconductor light-emitting elements are spaced at a uniform pitch.

8. The light-emitting apparatus according to claim 6, wherein the protective element and each of the semiconductor light-emitting elements are bonded with a wire, at least a portion of each of the wires is sealed by the sealing member, and
 all of the wires sealed by the sealing member are provided in a same direction as a straight line direction of the sealing member.

9. The light-emitting apparatus according to claim 1, wherein the optical wavelength converter is a phosphor that excites light emitted by the semiconductor light-emitting elements.

10. An illumination apparatus comprising the light-emitting apparatus according to claim 1.

11. The illumination apparatus according to claim 10, further comprising:
 a plurality of the light-emitting apparatuses,
 wherein the light-emitting apparatuses are arranged so that the substrates of the light-emitting apparatuses abut each other.

12. The light-emitting apparatus according to claim 1, wherein a contour of an end of the sealing member has a curvature in a planar view.

13. A light-emitting apparatus comprising:
 an elongated substrate;
 a plurality of semiconductor light-emitting elements arranged in a straight line on the substrate in a longitudinal direction of the substrate; [and]
 a sealing member that includes an optical wavelength converter and that seals the semiconductor light-emitting elements collectively[.]; and
 a first line and a second line that are electrically connected to the semiconductor light-emitting elements,
 wherein the semiconductor light-emitting elements are each bonded with a wire, at least a portion of each of the wires is sealed by the sealing member, and all of the

27

- wires sealed by the sealing member extend in a same direction as a straight line direction of the sealing member,
- wherein the first line and the second line each have a straight portion on the substrate extending substantially parallel to the longitudinal direction of the substrate, and the sealing member extends between and is restricted in width by the straight portion of the first line and the straight portion of the second line.
14. The light-emitting apparatus according to claim 13, wherein the straight portion of the first line and the straight portion of the second line are glass coated.
15. The light-emitting apparatus according to claim 13, wherein the sealing member extends to both end edges of the substrate in the longitudinal direction of the substrate.
16. The light-emitting apparatus according to claim 15, wherein a contour of an end of the sealing member has a curvature in a planar view.
17. The light-emitting apparatus according to claim 13, further comprising:
two electrodes that are provided on the substrate on the same side as the semiconductor light-emitting elements, are external of the sealing member and supply power to the plurality of semiconductor light-emitting elements.
18. The light-emitting apparatus according to claim 17, wherein a first of the two electrodes is provided at a first end of the substrate in a longitudinal direction of the substrate, and a second of the two electrodes is provided at a second end of the substrate in the longitudinal direction of the substrate, and the two electrodes are laterally offset toward one longitudinal side of the substrate with respect to a longitudinal centerline of the substrate.
19. An illumination apparatus comprising the light-emitting apparatus according to claim 13.
20. The illumination apparatus according to claim 19, further comprising:
a plurality of the light-emitting apparatuses, wherein the light-emitting apparatuses are arranged so that the substrates of the light-emitting apparatuses abut each other.
21. *A light-emitting apparatus comprising:*
an elongated substrate;
a plurality of semiconductor light-emitting elements arranged on the substrate in a longitudinal direction of the substrate;
two electrodes provided on the substrate on a same side of the substrate as the plurality of semiconductor light-emitting elements and that supply power to the plurality of semiconductor light-emitting elements;
a conductor line disposed on the substrate in the longitudinal direction of the substrate for connecting the plurality of semiconductor light-emitting elements in series;
a first conductor line disposed on the substrate for connecting the plurality of semiconductor light-emitting elements in parallel, the first conductor line including a first straight portion in the longitudinal direction of the substrate;
a second conductor line disposed on the substrate for connecting the plurality of semiconductor light-emitting elements in parallel, the second conductor line including a second straight portion in the longitudinal direction of the substrate; and

28

- sealing material that includes an optical wavelength converter and that seals the plurality of semiconductor light-emitting elements, the two electrodes being disposed externally of the sealing material,*
wherein the sealing material extends along a straight line in a direction of arrangement of the plurality of semiconductor light-emitting elements, extends in the longitudinal direction of the substrate, towards both end edges of the substrate, is spaced from each longitudinal edge of the substrate and seals the plurality of semiconductor light-emitting elements, and
wherein the plurality of semiconductor light-emitting elements and the conductor line are disposed between the first straight portion and the second straight portion.
22. *The light-emitting apparatus according to claim 21, wherein the sealing material comprises a sealing member.*
23. *The light-emitting apparatus according to claim 21, wherein the plurality of semiconductor light-emitting elements are arranged in a straight line.*
24. *The light-emitting apparatus according to claim 21, wherein the first conductor line includes a first extending portion which extends from the first straight portion toward the second straight portion of the second line, and*
the second conductor line includes a second extending portion which extends from the second straight portion toward the first straight portion of the first line.
25. *A light-emitting apparatus comprising:*
an elongated substrate;
a plurality of semiconductor light-emitting elements arranged on the substrate in a longitudinal direction of the substrate;
two electrodes provided on the substrate on a same side of the substrate as the plurality of semiconductor light-emitting elements and that supply power to the plurality of semiconductor light-emitting elements;
a conductor line disposed on the substrate in the longitudinal direction of the substrate for connecting the plurality of semiconductor light-emitting elements in series;
a first conductor line disposed on the substrate for connecting the plurality of semiconductor light-emitting elements in parallel, the first conductor line including a first straight portion in the longitudinal direction of the substrate;
a second conductor line disposed on the substrate for connecting the plurality of semiconductor light-emitting elements in parallel, the second conductor line including a second straight portion in the longitudinal direction of the substrate; and
a sealing member that includes an optical wavelength converter and that seals the plurality of semiconductor light-emitting elements, the two electrodes being disposed externally of the sealing member,
wherein the sealing member extends along a straight line in a direction of arrangement of the plurality of semiconductor light-emitting elements, extends in the longitudinal direction of the substrate, towards both end edges of the substrate, is spaced from each longitudinal edge of the substrate and seals the plurality of semiconductor light-emitting elements, and
wherein the plurality of semiconductor light-emitting elements and the conductor line are disposed between the first straight portion and the second straight portion.

29

26. The light-emitting apparatus according to claim 25, wherein the sealing member extends continuously along the straight line.
27. The light-emitting apparatus according to claim 25, wherein the plurality of semiconductor light-emitting elements are arranged in a straight line.
28. The light-emitting apparatus according claim 25, wherein the first conductor line includes a first extending portion which extends from the first straight portion toward the second straight portion of the second line, and the second conductor line includes a second extending portion which extends from the second straight portion toward the first straight portion of the first line.
29. A light-emitting apparatus comprising:
 an elongated substrate;
 a plurality of semiconductor light-emitting elements arranged on the substrate in a longitudinal direction of the substrate;
 a conductor line disposed on the substrate in the longitudinal direction of the substrate for electrically connecting the plurality of semiconductor light-emitting elements in series;
 a first conductor line disposed on the substrate for electrically connecting the plurality of semiconductor light-emitting elements in parallel, the first conductor line including a first straight portion formed on the substrate in a straight line substantially parallel to the longitudinal direction of the substrate;
 a second conductor line disposed on the substrate for electrically connecting the plurality of semiconductor light-emitting elements in parallel, the second conductor line including a second straight portion formed on the substrate in a straight line substantially parallel to the longitudinal direction of the substrate;
 sealing material that includes an optical wavelength converter and that seals the plurality of semiconductor light-emitting elements, wherein the sealing material

30

- extends between and is restricted in width by the first straight portion of the first line and the second straight portion of the second line,
 wherein the plurality of semiconductor light-emitting elements and the conductor line are disposed between the first straight portion and the second straight portion.
30. A light-emitting apparatus comprising:
 an elongated substrate;
 a plurality of semiconductor light-emitting elements arranged on the substrate in a longitudinal direction of the substrate;
 a conductor line disposed on the substrate in the longitudinal direction of the substrate for electrically connecting the plurality of semiconductor light-emitting elements in series;
 a first conductor line disposed on the substrate for electrically connecting the plurality of semiconductor light-emitting elements in parallel, the first conductor line including a first straight portion formed on the substrate in a straight line substantially parallel to the longitudinal direction of the substrate;
 a second conductor line disposed on the substrate for electrically connecting the plurality of semiconductor light-emitting elements in parallel, the second conductor line including a second straight portion formed on the substrate in a straight line substantially parallel to the longitudinal direction of the substrate;
 a sealing member that includes an optical wavelength converter and that seals the plurality of semiconductor light-emitting elements, wherein the sealing member extends between and is restricted in width by the first straight portion of the first line and the second straight portion of the second line,
 wherein the plurality of semiconductor light-emitting elements and the conductor line are disposed between the first straight portion and the second straight portion.

* * * * *