

US00RE47732E

(19) **United States**  
(12) **Reissued Patent**  
Sugar et al.

(10) **Patent Number:** **US RE47,732 E**  
(45) **Date of Reissued Patent:** **\*Nov. 19, 2019**

(54) **SYSTEM AND METHOD FOR ANTENNA DIVERSITY USING EQUAL POWER JOINT MAXIMAL RATIO COMBINING**

(71) Applicant: **IPR LICENSING, INC.**, Wilmington, DE (US)

(72) Inventors: **Gary L. Sugar**, San Francisco, CA (US); **Chandra Vaidyanathan**, Rockville, MD (US)

(73) Assignee: **IPR LICENSING, INC.**, Wilmington, DE (US)

(\*) Notice: This patent is subject to a terminal disclaimer.

(21) Appl. No.: **15/842,473**

(22) Filed: **Dec. 14, 2017**

**Related U.S. Patent Documents**

Reissue of:

(64) Patent No.: **7,881,674**  
Issued: **Feb. 1, 2011**  
Appl. No.: **11/879,156**  
Filed: **Jul. 16, 2007**

U.S. Applications:

(63) Continuation of application No. 14/563,231, filed on Dec. 8, 2014, now Pat. No. Re. 46,750, which is a (Continued)

(51) **Int. Cl.**  
**H01Q 3/28** (2006.01)

(52) **U.S. Cl.**  
CPC ..... **H01Q 3/28** (2013.01)

(58) **Field of Classification Search**  
CPC ..... **H04B 7/02; H01Q 3/28**  
(Continued)

(56) **References Cited**

U.S. PATENT DOCUMENTS

4,121,221 A 10/1978 Meadows  
4,599,734 A 7/1986 Yamamoto  
(Continued)

FOREIGN PATENT DOCUMENTS

EP 0 901 219 3/1999  
WO 99/40648 8/1999  
(Continued)

OTHER PUBLICATIONS

Ariyavisitakul et al., "Optimum Space-Time Processors With Dispersive Interference—Unified Analysis and Required Filter Span", 1999 IEEE International Conference on Communications, vol. 2, pp. 1244-1249, (1999).

(Continued)

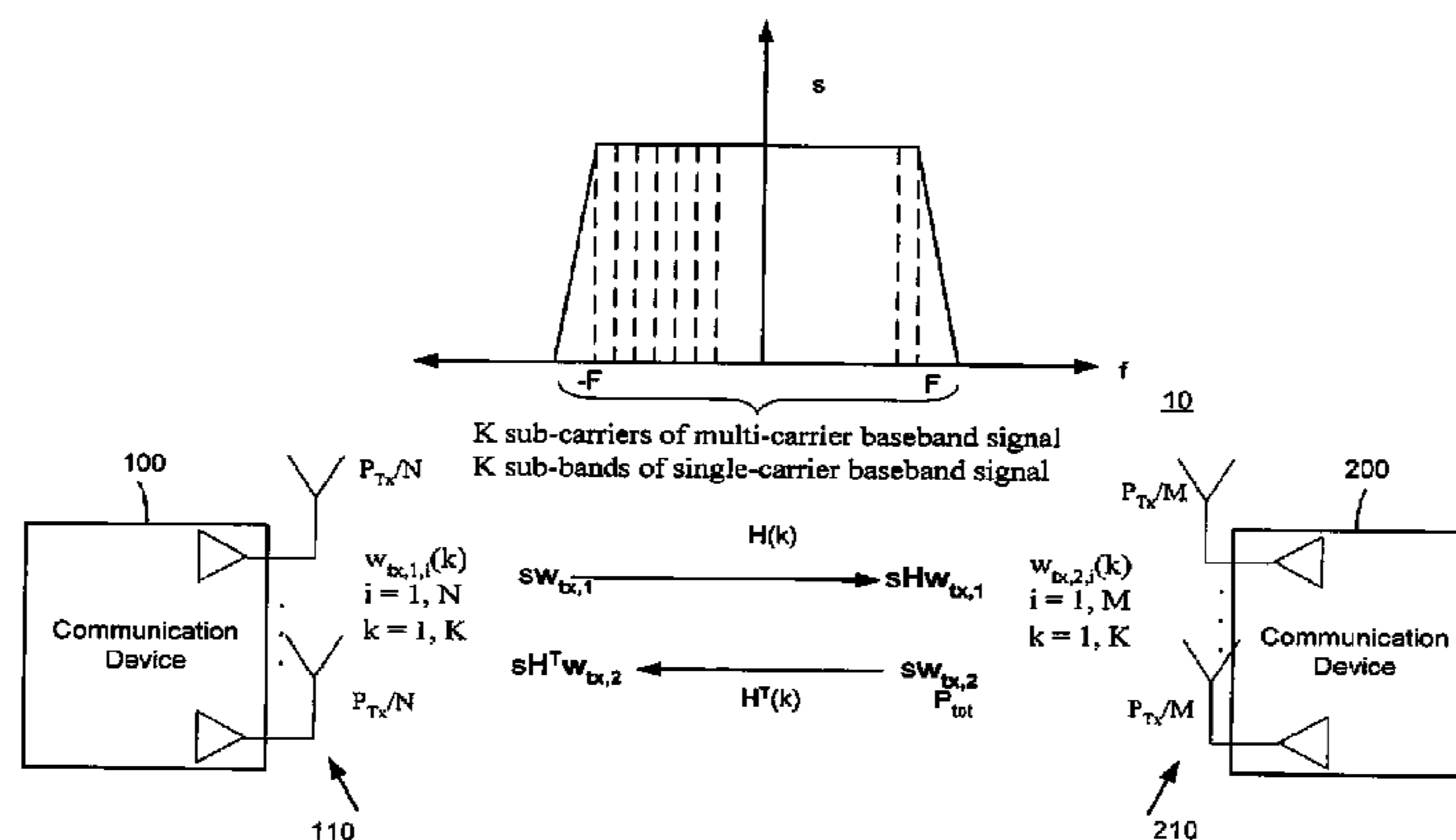
Primary Examiner — Catherine M Tarae

(74) Attorney, Agent, or Firm — Volpe and Koenig, P.C.

(57) **ABSTRACT**

[An equal gain composite beamforming technique which includes the constraint that the power of the signal output by each antenna is the same, and is equal to the total power of the transmit signal divided by the number N of transmit antennas from which the signal is to be transmitted. By reducing output power requirements for each power amplifier, the silicon area of the power amplifiers are reduced by as much as N times (where N is equal to the number of transmit antennas) relative to a non-equal gain composite beamforming technique.] *A method and apparatus are disclosed for a transmission technique by a wireless communications device which includes providing that the power applied to each transmit antenna may be equal to the total power of the transmit signal divided by the number N of transmit antennas from which the signal is to be transmitted.*

(Continued)



The device may determine a total transmit power and produce a multi-carrier signal for transmission. Accordingly, the device may apply a power to each of the N transmit antennas, for the multicarrier signal, which is equal to the total transmit power divided by N. Further, the device may produce a weight for each of the N transmit antennas used. The device may weight the multi-carrier signal for each antenna per the produced weight. Each transmit antenna signal may be amplified by an amplifier coupled to that antenna.

**18 Claims, 11 Drawing Sheets**

**Related U.S. Application Data**

continuation of application No. 13/755,945, filed on Jan. 31, 2013, now Pat. No. Re. 45,425, which is an application for the reissue of Pat. No. 7,881,674, which is a continuation of application No. 10/800,610, filed on Mar. 15, 2004, now Pat. No. 7,245,881, which is a continuation of application No. 10/174,689, filed on Jun. 19, 2002, now Pat. No. 6,785,520.

(60) Provisional application No. 60/361,055, filed on Mar. 1, 2002, provisional application No. 60/365,797, filed on Mar. 21, 2002, provisional application No. 60/380,139, filed on May 6, 2002.

(58) **Field of Classification Search**

USPC ..... 455/69  
See application file for complete search history.

(56) **References Cited**

U.S. PATENT DOCUMENTS

4,639,914 A 1/1987 Winters ..... H04W 52/228  
370/334  
4,811,420 A 3/1989 Avis et al.  
5,274,844 A 12/1993 Harrison et al.  
5,394,435 A 2/1995 Weerackody  
5,414,699 A 5/1995 Lee  
5,437,055 A 7/1995 Wheatley, III  
5,457,808 A 10/1995 Osawa et al.  
5,491,723 A 2/1996 Diepstraten  
5,493,307 A 2/1996 Tsujimoto  
5,493,722 A 2/1996 Gunn et al.  
5,507,035 A 4/1996 Bantz et al.  
5,539,832 A 7/1996 Weinstein et al.  
5,568,088 A \* 10/1996 Dent ..... H03F 1/0294  
330/124 R  
5,570,366 A 10/1996 Baker et al.  
5,577,265 A 11/1996 Wheatley, III  
5,610,617 A 3/1997 Gans et al.  
5,621,732 A 4/1997 Osawa  
5,751,250 A \* 5/1998 Arntz ..... H03F 1/3229  
330/124 R  
5,752,173 A 5/1998 Tsujimoto  
5,761,193 A 6/1998 Derango et al.  
5,761,237 A 6/1998 Petersen et al.  
5,771,462 A 6/1998 Olsen  
5,812,531 A 9/1998 Cheung et al.  
5,848,105 A 12/1998 Gardner et al.  
5,854,611 A 12/1998 Gans et al.  
5,898,679 A 4/1999 Brederveld et al.  
5,912,921 A 6/1999 Warren et al.  
5,924,020 A 7/1999 Forssen et al.  
5,930,248 A 7/1999 Langlet et al.  
5,982,327 A 11/1999 Vook et al.  
5,999,826 A 12/1999 Whinnett  
6,006,111 A \* 12/1999 Rowland ..... H03F 3/602  
330/124 R

6,008,760 A 12/1999 Shattil  
6,018,642 A 1/2000 Adachi  
6,023,625 A 2/2000 Myers, Jr.  
6,037,898 A 3/2000 Parish et al.  
6,038,272 A 3/2000 Golden et al.  
6,044,120 A 3/2000 Bar-David et al.  
6,058,105 A 5/2000 Hochwald et al.  
6,064,338 A 5/2000 Kobayakawa et al.  
6,091,934 A 7/2000 Berman et al.  
6,097,771 A 8/2000 Foschini  
6,118,788 A 9/2000 Kermani  
6,122,260 A 9/2000 Liu et al.  
6,124,824 A 9/2000 Xu et al.  
6,141,393 A 10/2000 Thomas et al.  
6,141,567 A 10/2000 Youssefmir et al.  
6,144,651 A 11/2000 Rinchiuso et al.  
6,144,711 A 11/2000 Raleigh et al.  
6,147,985 A 11/2000 Bar-David et al.  
6,157,340 A 12/2000 Xu et al.  
6,157,843 A 12/2000 Derango et al.  
6,177,906 B1 1/2001 Petrus  
6,185,440 B1 2/2001 Barratt et al.  
6,195,045 B1 2/2001 Xu et al.  
6,211,671 B1 4/2001 Shattil  
6,218,986 B1 4/2001 Yukitomo et al.  
6,249,250 B1 6/2001 Namekata et al.  
6,252,548 B1 6/2001 Jeon  
6,252,884 B1 6/2001 Hunter  
6,266,528 B1 7/2001 Farzaneh  
6,295,026 B1 9/2001 Chen et al.  
6,298,092 B1 10/2001 Heath, Jr.  
6,307,882 B1 10/2001 Marzetta  
6,317,466 B1 11/2001 Foschini et al.  
6,327,310 B1 12/2001 Hochwald et al.  
6,331,837 B1 12/2001 Shattil  
6,349,219 B1 2/2002 Hochwald et al.  
6,351,499 B1 2/2002 Paulraj et al.  
6,362,781 B1 3/2002 Thomas et al.  
6,369,758 B1 4/2002 Zhang  
6,370,182 B2 4/2002 Bierly et al.  
6,377,631 B1 4/2002 Raleigh  
6,377,636 B1 4/2002 Paulraj et al.  
6,377,819 B1 4/2002 Gesbert et al.  
6,389,056 B1 5/2002 Kanterakis et al.  
6,400,699 B1 6/2002 Airy et al.  
6,400,780 B1 6/2002 Rashid-Farrokhi et al.  
6,442,214 B1 8/2002 Boleskei et al.  
6,456,610 B1 \* 9/2002 Briley ..... H04B 7/0408  
370/337  
6,462,709 B1 10/2002 Choi  
6,463,295 B1 10/2002 Yun  
6,473,467 B1 10/2002 Wallace et al.  
6,522,898 B1 2/2003 Kohno et al.  
6,549,786 B2 4/2003 Cheung  
6,560,299 B1 5/2003 Strolle et al.  
6,570,929 B1 5/2003 Eriksson  
6,584,161 B2 6/2003 Hottinen et al.  
6,625,162 B2 9/2003 Myojo et al.  
6,636,568 B2 10/2003 Kadous  
6,646,600 B2 11/2003 Vail et al.  
6,684,064 B2 1/2004 Kazakevich et al.  
6,687,492 B1 2/2004 Sugar et al.  
6,701,135 B2 \* 3/2004 Posti ..... H04L 27/2614  
455/103  
6,728,294 B1 4/2004 Kohno et al.  
6,728,517 B2 4/2004 Sugar et al.  
6,771,989 B1 8/2004 Katz et al.  
6,792,033 B1 9/2004 Maruta et al.  
6,862,271 B2 3/2005 Medvedev et al.  
6,873,606 B2 3/2005 Agrawal et al.  
6,873,651 B2 3/2005 Tesfai et al.  
6,888,878 B2 5/2005 Prysby et al.  
6,889,034 B1 \* 5/2005 Dent ..... H04B 1/0458  
455/102  
6,895,255 B1 5/2005 Bridgelall  
6,901,122 B2 5/2005 Nadgouda et al.  
6,904,021 B2 6/2005 Belcea  
6,940,917 B2 9/2005 Menon et al.  
6,956,907 B2 10/2005 Ketchum



(56)

References Cited

U.S. PATENT DOCUMENTS

6,961,545	B2	11/2005	Tehrani et al.
6,963,742	B2	11/2005	Boros et al.
6,970,682	B2	11/2005	Crilly, Jr. et al.
6,980,600	B1	12/2005	Ratnarajah
6,983,167	B2	1/2006	Adachi et al.
7,027,536	B1	4/2006	Al-Dhahir
7,031,368	B1	4/2006	Maruta et al.
7,042,860	B2	5/2006	Kasami et al.
7,113,748	B2*	9/2006	Shapira ..... H01Q 1/246 342/361
7,155,231	B2	12/2006	Burke et al.
7,224,758	B1	5/2007	Banister
7,224,942	B2	5/2007	Dent
7,230,940	B2	6/2007	Fantaske
7,277,409	B1	10/2007	Thermond et al.
7,299,071	B1	11/2007	Barratt et al.
7,340,279	B2	3/2008	Chen et al.
7,342,875	B2	3/2008	Hammons et al.
7,570,921	B2	8/2009	Sugar et al.
7,573,945	B2	8/2009	Tesfai et al.
7,805,167	B1	9/2010	Esmailzadeh
8,224,263	B2	7/2012	Nogami et al.
2001/0012764	A1	8/2001	Edwards et al.
2001/0015994	A1	8/2001	Nam
2001/0046255	A1	11/2001	Shattil
2001/0053143	A1	12/2001	Li et al.
2001/0053699	A1	12/2001	McCrary et al.
2002/0001316	A1	1/2002	Hornsby et al.
2002/0024975	A1	2/2002	Hendler
2002/0034191	A1	3/2002	Shattil
2002/0039884	A1	4/2002	Raynes et al.
2002/0045435	A1	4/2002	Fantaske
2002/0051430	A1	5/2002	Kasami et al.
2002/0064246	A1	5/2002	Kelkar et al.
2002/0067309	A1	6/2002	Baker et al.
2002/0072392	A1	6/2002	Awater et al.
2002/0085643	A1	7/2002	Kitchener et al.
2002/0102950	A1	8/2002	Gore et al.
2002/0111142	A1	8/2002	Klimovitch
2002/0118781	A1	8/2002	Thomas et al.
2002/0122383	A1	9/2002	Wu et al.
2002/0122501	A1	9/2002	Awater et al.
2002/0127978	A1	9/2002	Khatri
2002/0136170	A1	9/2002	Struhsaker
2002/0141355	A1	10/2002	Struhsaker et al.
2002/0147032	A1	10/2002	Yoon et al.
2002/0158801	A1	10/2002	Crilly, Jr. et al.
2002/0159537	A1	10/2002	Crilly, Jr. et al.
2002/0172186	A1	11/2002	Larsson
2002/0172269	A1	11/2002	Xu
2002/0196842	A1	12/2002	Onggosanusi et al.
2003/0002450	A1	1/2003	Jalali et al.
2003/0022693	A1	1/2003	Gerogiokas et al.
2003/0032423	A1	2/2003	Boros et al.
2003/0035491	A1	2/2003	Walton et al.
2003/0048761	A1	3/2003	Jarett
2003/0100324	A1	5/2003	Kasapi
2003/0108117	A1	6/2003	Ketchum et al.
2003/0114108	A1	6/2003	Frecassetti et al.
2003/0125090	A1	7/2003	Zeira
2003/0139194	A1	7/2003	Onggosanusi et al.
2003/0157954	A1	8/2003	Medvedev et al.
2003/0181165	A1	9/2003	Sugar et al.
2004/0072546	A1	4/2004	Sugar et al.
2004/0104839	A1	6/2004	Velazquez et al.
2005/0192048	A1	9/2005	Bridgelall
2007/0117513	A1	5/2007	Kasami et al.

FOREIGN PATENT DOCUMENTS

WO	99/57820	11/1999
WO	01/05061	1/2001

WO	01/45300	6/2001
WO	01/69800	9/2001
WO	02/03568	1/2002

OTHER PUBLICATIONS

Aziz et al., "Indoor Throughput and Range Improvements Using Standard Complaint AP Antenna Diversity in IEEE 802.11a and ETSI HIPERLAN/2", Vehicular Technology Conference, 2002, VTC 2001, Oct. 7-11, 2001, IEEE VTS 54<sup>th</sup>, vol. 4, pp. 2294-2298.

Bolcskei et al., "On the Capacity of OFDM-Based Spatial Multiplexing Systems," IEEE Transactions on Communications, vol. 50, No. 2, pp. 225-234 (Feb. 2002).

Choi et al., "MISO CDMA Transmission with Simplified Receiver for Wireless Communication Handsets", IEEE Transactions on Communications, vol. 49, No. 5, May 2001.

Dammann et al., "Standard Conformable Antenna Diversity Techniques for OFDM and its Application to the DVB-T System," IEEE Global Telecommunications Conference, vol. 5, pp. 3100-3105 (Nov. 2001).

Heath et al., "A Simple Scheme for Transmit Diversity Using Partial Channel Feedback", Signals, Systems & Computers, Conference Record of the Thirty-Second Asilomar Conference, Nov. 1-4, 1998; vol. 2; pp. 1073-1078.

Ivrlac et al., "On Channel Capacity of Correlated MIMO Channels", ITG Fokusprojekt: Mobilkommunikation "Systeme mit Intelligenten Antennen", Ilmenau, 2001.

LAN Man Standards Committee of the IEEE Computer Society, "Information Technology—Telecommunications and Information Exchange Between Systems—Local and Metropolitan Area Networks—Specific Requirements—Part 11: Wireless LAN Medium Access Control (MAC) and Physical Layer (PHY) Specifications", ANSI/IEEE Std 802.11, 1999 Edition (R2003), (Reaffirmed Jun. 12, 2003).

Lee et al., "Antenna Diversity for an OFDM System in a Fading Channel", Proceeding of IEEE MILCOM 1999, Nov. 1999, pp. 1104-1109.

Lucent Technologies, "Lucent Technologies: Chips Poised to Bring 'BLAST' Multiple Input/Multiple Output Technology to Laptops, PDAs and Other Mobile Devices", Oct. 16, 2002, lucent.com.

Palomar et al., "Capacity Results of Spatially Correlated Frequency-Selective MIMO Channels in UMTS," IEEE 54<sup>th</sup> Vehicular Technology Conference, vol. 2, pp. 553-557 (Oct. 7, 2001).

Panasonic et al., "Clairification of SCH transmitted by TSTD," 3GPP TSG RAN WG1 Meeting #15, R1-00-1080 (Aug. 22-25, 2000).

Perahia et al., "Adaptive Antenna Arrays and Equalization for Indoor Digital Radio," IEEE International Conference on Communications, pp. 592-596 (Jun. 1996).

Raleigh et al., "Spatio-Temporal Coding for Wireless Communication", IEEE Transactions on Communications, vol. 46, No. 3, Mar. 1998, pp. 357-366.

Texas Instruments, "Delay diversity for the BCH of TDD," TSG-RAN Working Group 1, TSGR1#7(99)b45 (Aug. 30-Sep. 3, 1999).

Wennström et al., "On the Optimality and Performance of Transmit and Receive Space Diversity in MIMO Channels", IEEE Seminar on Communications Systems from Concept to Implementations, (Dec. 12, 2001).

Yang et al., "Joint Transmitter—Receiver Optimization for Multi-Input Multi-Output Systems With Decision Feedback", IEEE Transactions on Information Theory, vol. 40, No. 5, pp. 1334-1347, (Sep. 1994).

Yang et al., "On Joint Transmitter and Receive Optimization for Multiple-Input-Multiple-Output (MIMO) Transmission Systems", IEEE Transactions on Communications, vol. 42, No. 12, Dec. 1994.

IEEE Std 802.11a-1999, (Supplement to IEEE Std 802.11-1999), Supplement to IEEE Standard for Information technology—Telecommunications and information exchange between systems—Local and metropolitan area networks—Specific requirements, Part 11: Wireless LAN Medium Access Control (MAC) and Physical Layer (PHY) specifications, High-speed Physical Layer in the 5 GHz Band (1999).



(56)

## References Cited

## OTHER PUBLICATIONS

- IEEE Std 802.11b-1999, (Supplement to ANSI/IEEE Std 802.11, 1999 Edition), Supplement to IEEE Standard for Information technology—Telecommunications and information exchange between systems—Local and metropolitan area networks—Specific requirements—Part 11: Wireless LAN Medium Access Control (MAC) and Physical Layer (PHY) specifications: Higher-Speed Physical Layer Extension in the 2.4 GHz Band (Sep. 16, 1999).
- Wong et al., “Adaptive Antennas at the Mobile and Base Stations in an OFDM/TDMA System,” *IEEE Transactions on Communications*, vol. 49, No. 1, pp. 195-206 (Jan. 2001).
- Panasonic et al., “Clarification of SCH transmitted by TSTD,” 3GPP TSG RAN WG1 Meeting #15, R1-00-1080 (Aug. 22-25, 2000).
- “BLAST High-Level Overview”, Lucent Technologies, Jul. 18, 2000.
- “Lucent’s ‘BLAST’ Chips to Take Off in Wireless Market”, *EETimes.com*, Oct. 16, 2002.
- Bablan et al., “Optimum Diversity Combining and Equalization in Digital Data Transmission with Applications to Cellular Mobile Radio—Part II: Numerical Results”, May 1992; *IEEE Transactions on Communications*, vol. 30, No. 5; pp. 895-907.
- Briesemeister et al., “Role-Based Multicast in Highly Mobile but Sparsely Connect Ad-Hoc Networks”, *First Annual Workshop on Mobile Ad Hoc Networking & Computing*; pp. 45-50; Aug. 2000.
- Brunner et al., “Downlink Beamforming for WCDMA Based on Uplink Channel Parameters”, *Proceedings of 3rd European Personal Mobile Conference (EPMCC '99)*, Mar. 1999, pp. 375-380.
- Chiu et al., “OFDM Receiver Design”, EE225C, Fall 2000, University of California, Berkeley.
- Chizhik et al., “Keyholes, Correlations, and Capacities of Multiple-Element Transmit and Receiver Antennas”, *IEEE Transactions on Wireless Communications*, vol. 1, No. 2, Apr. 2002, pp. 361-368.
- Choi et al., “MISO CDMA Transmission with Simplified Receiver for Wireless Communication Handsets”, *IEEE Transactions of Communications*, vol. 49, No. 5, May 2002.
- Chuah et al., “Capacity of Multi-Antenna Array Systems in Indoor Wireless Environment”, Nov. 1998, *IEEE Globecom*.
- Golden et al., “Detection Algorithm and Initial Laboratory Results Using V-Blast Space-Time Communication Architecture”, *Electronic Letters*, Jan. 7, 1999, vol. 35, No. 1.
- Golden et al., “V-Blast: A High Capacity Space-Time Architecture for the Rich-Scattering Wireless Channel”, *Bell Laboratories, Lucent Technologies, Proc. Int’l Symposium on Advanced Radio Technologies*, Boulder, CO, Sep. 10, 1998.
- Golub et al., *Matrix Computation*, “7.3 Power Iterations”, The Johns Hopkins University Press, Second Edition, pp. 351, (1983).
- Heath et al., “A Simple Scheme for Transmit Diversity Using Partial Channel Feedback”, *Systems & Computers, Conference Record of the Thirty-Second Asilomar Conference*, Nov. 1-4, 1998; vol. 2; pp. 1073-1078.
- Irmer et al., “MISO Concepts for Frequency-Selective Channels”, 2002 International Zurich Seminar on Broadband Communications Access, Feb. 19-21, 2002.
- Iserte et al., “Iterative Algorithm for the Estimation of Distributed Sources Localization Parameters”, SSP 2001, 11<sup>th</sup> IEEE Workshop on Statistical Signal Processing, Aug. 2001.
- Iserte et al., “Joint Beamforming Strategies in OFDM-MIMO Systems”, ICASSP 2002, IEEE International Conference on Acoustics, Speech and Signal Processing, May 2002.
- Iserte et al., “Pre-and Post-Beamforming in MIMO Channels Applied to HIPERLAN/2 and OFDM”, IST Summit 2001, IST Mobile Communications Summit, Sep. 2001.
- Ivrlac et al., “On Channel Capacity of Correlated MIMO Channels”, ITG Fokusprojekt: Mobilkommunikation “Systeme mit Intelligenten Antennen”, Ilmenau, 2001.
- Jakes, “Microwave Mobile Communications”, Copyright 1974, pp. 313-320 and pp. 489-498.
- Jungnickel et al., “A MIMO WLAN Based on Linear Channel Inversion”, *IEE Seminar-MIMO Communication Systems from Concept To Implementation*, Dec. 2001, pp. 20/1-20/6.
- Jungnickel et al., “Performance of a MIMO System with Overlay Pilots”, *IEEE GlobeCom 2001*, pp. 594-598.
- Junqiang et al., “Spatial Multiuser Access with MIMO Smart Antennas for OFDM Systems”, *IEEE VTC 2001*, Sep. 2001, pp. 1553-1557.
- Lee et al., “Antenna Diversity for an OFDM System in a Fading Channel”, *Proceeding of IEEE MILCOM 1999*, Nov. 1999, pp. 1004-1009.
- Li et al., “Adaptive Antenna Arrays for OFDM Systems With Cochannel Interference”, *IEEE Transactions On Communications*, vol. 47, No. 2, pp. 217-229, (Feb. 1999).
- Love et al., “Equal Gain Transmission in Multiple-Input Multiple-Output Wireless Systems”, Nov. 2002, *Proceedings of IEEE Globecom*, pp. 1124-1128.
- Morgan, “Interaction of Adaptive Antenna Arrays in an Arbitrary Environment”, *The Bell System Technical Journal*, Jan. 1965, pp. 23-47.
- Narula et al., “Efficient Use of Side Information In Multiple-Antenna Data Transmission Over Fading Channels”, *IEEE Journal On Selected Areas In Communications*, vol. 16, No. 8, pp. 1423-1436, (Oct. 1998).
- Onggosanusi et al., “Performance Analysis Of Closed-Loop Transmit Diversity In The Presence Of Feedback Delay”, *IEEE Transactions On Communications*, vol. 49, No. 9, pp. 1618-1630, (Sep. 2001).
- Sanchez et al., “CSMA/CA Beam Forming Antennas in Multi-hop Packet Radio”, *Proc. For Swedish Workshop on Wireless Ad-Hoc Networks*, Mar. 5-6, 2001.
- Stridh et al., “MIMO Channel Capacity on a Measured Indoor Radio Channel at 5.8 GHz”, *Proc. of the Asilomar Conf. on Signals, Systems & Computers*, vol. 1, Oct. 2000, pp. 733-737.
- Stridh et al., “Spatial Characterization of Indoor Radio Channel Measurements at 5 GHz”, *SAM 2000*, Mar. 2000, pp. 58-62.
- Vaidyanathan et al., “The Role in Lossless Systems in Modern Digital Signal Processing: A Tutorial”, *IEEE Transactions on Education*, vol. 32, Aug. 1989, pp. 181-197.
- Wallace et al., “Experimental Characterization of the MIMO Wireless Channel: Data Acquisition and Analysis”, Feb. 27, 2002, Department of Electrical and Computer Engineering, Brigham Young University.
- Wolniansky et al., “V-BLAST: An Architecture for Realizing Very High Data Rates Over the Rich-Scattering Wireless Channel”, *Proc. ISSSE-98, Pisa, Italy*, Sep. 29, 1998.
- Yang et al., “Joint Transmitter—Receiver Optimization for Multi-Input Multi-Output Systems With Decision Feedback”, *IEEE Transactions On Information Theory*, vol. 40, No. 5, pp. 1334-1347, (Sep. 1994).
- Yeh, “An Analysis of Adaptive Retransmission Arrays in a Fading Environment”, *The Bell System Technical Journal*, Oct. 1970, pp. 1811-1825.
- Chang et al., “Joint Transmitter Receiver Diversity For Efficient Space Division Multiaccess”, *IEEE Transactions on Wireless Communications*, vol. 1, No. 1, Jan. 2002.
- Sampath et al., “Joint Transmit And Receive Optimization For High Data Rate Wireless Communication Using Multiple Antennas”, *Signals, Systems, and Computers*, vol. 1, Oct. 1999.
- Haardt et al., “Smart Antennas For UTRA TDD”, *European Transactions On Telecommunications* vol. 12, No. 5, Sep. 2001.
- Lucent Technologies, “Lucent technologies: Chips poised to bring ‘BLAST’ Multiple Input/Multiple Output Technology to Laptops, PDAs and Other Mobile Devices”, Oct. 16, 2002, [lucent.com](http://lucent.com).
- Meyer-Ottens, et al. “Downlink Beamforming for W-CDMA Using Feedback and Interference Estimate”, Mar. 9, 2001.
- Narula et al., “Efficient Use Of Side Information In Multiple-Antenna Data Transmission Over Fading Channels”, *IEEE Journal On Selected Areas In Communications*, vol. 16, No. 8, pp. 1423-1436, (Oct. 1998).
- Siwiak, “Radiowave Propagation and Antennas for Personal Communications,” *Artech House, Inc.*, pp. 31-37 (Apr. 1998).

(56)

**References Cited**

OTHER PUBLICATIONS

Wallace et al., "Experimental Characterization of the MIMO Wireless Channel: Data Acquisition and Analysis", Feb. 27, 2002, Department of Electrical and Computer Engineering, Brigham Young University.

\* cited by examiner

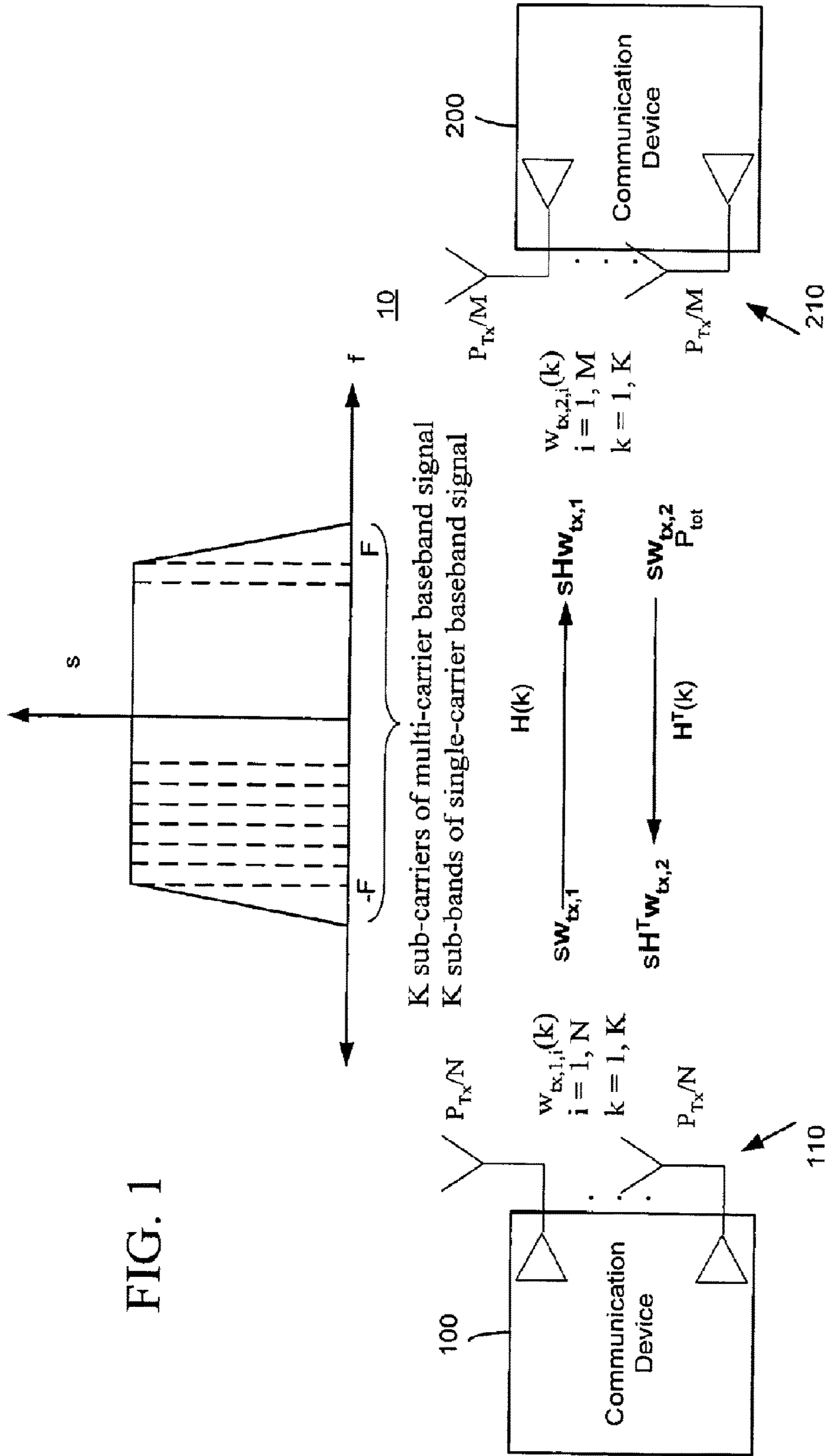


FIG. 1



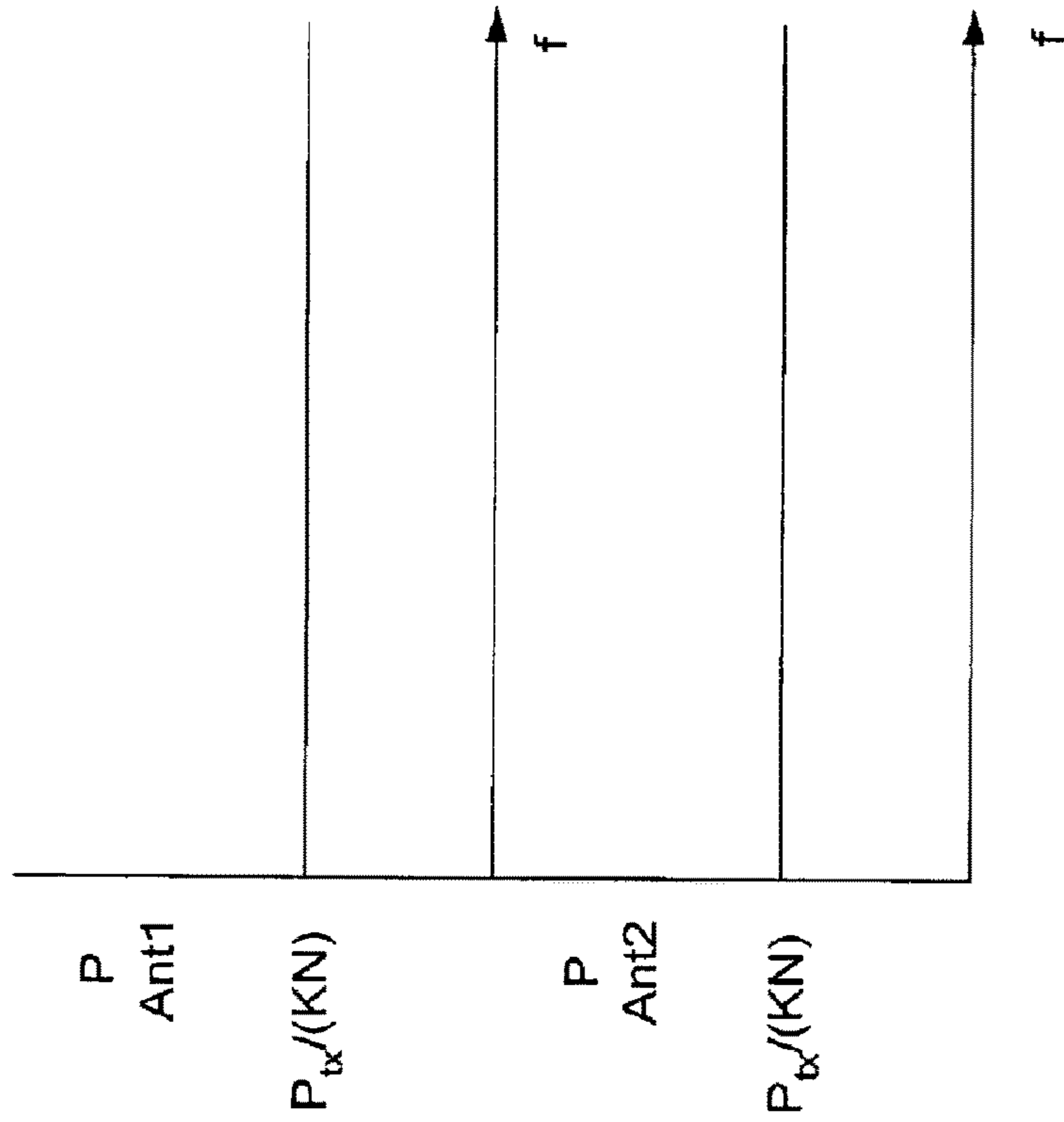


FIG. 2

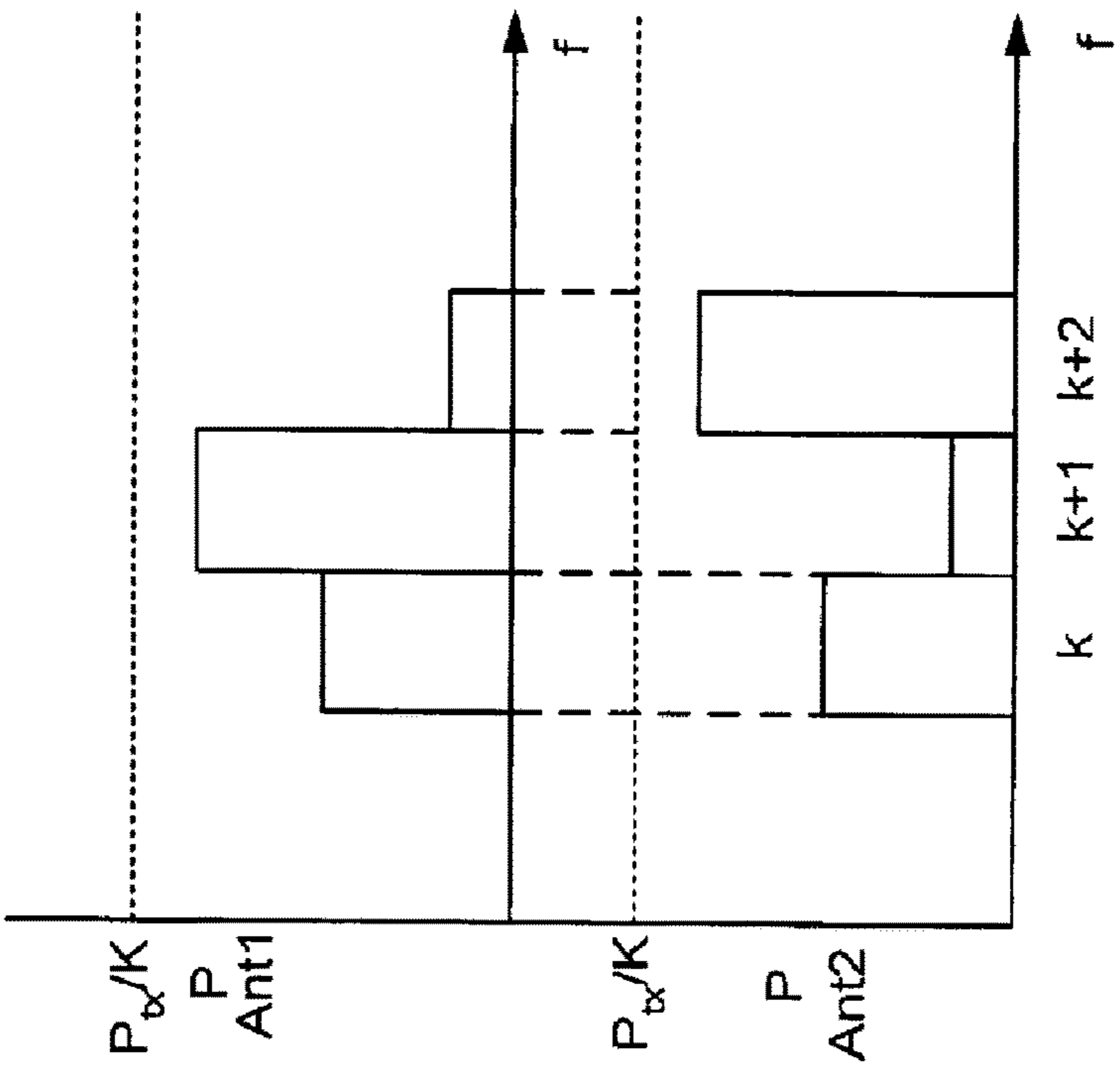


FIG. 3

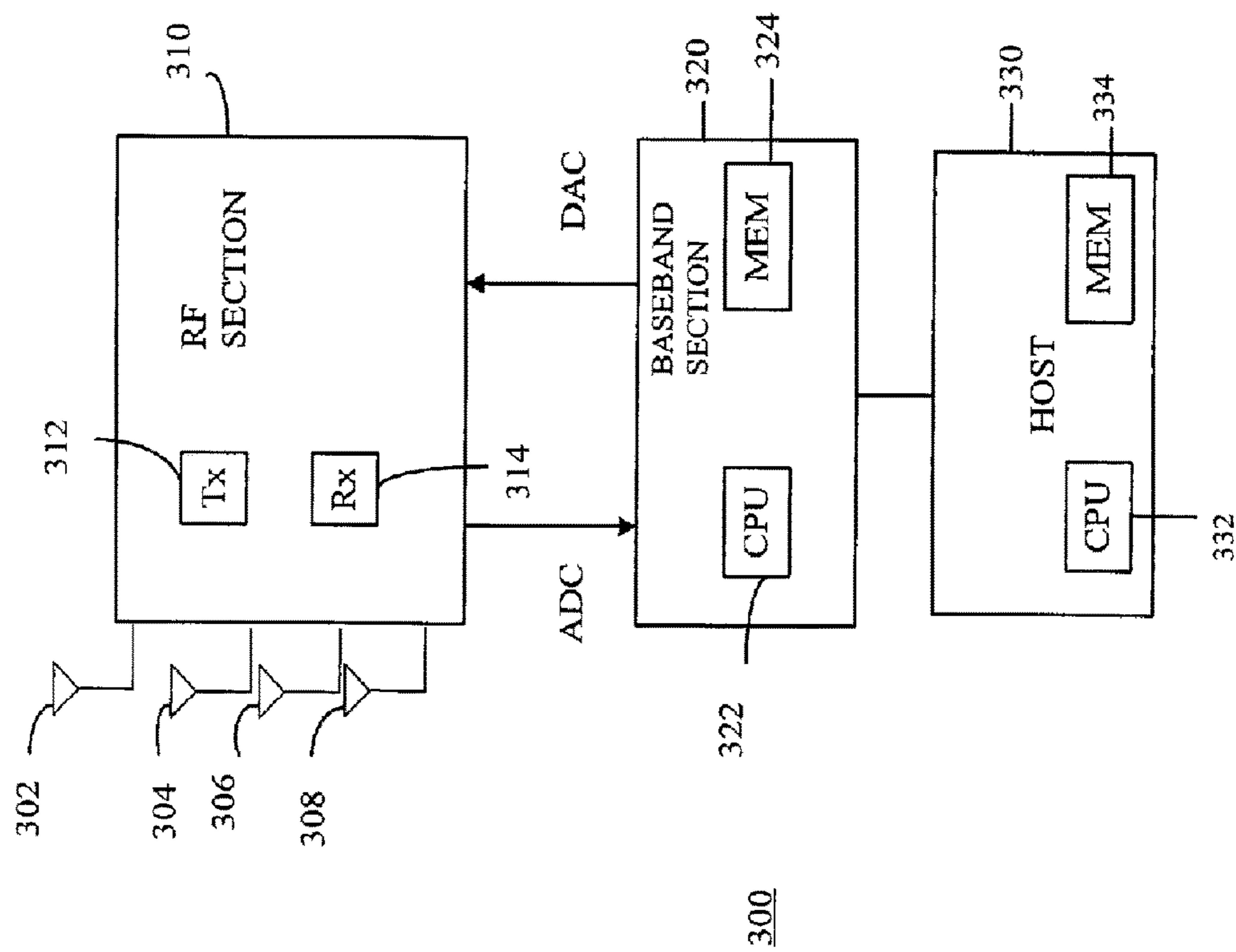


FIG. 4



FIG. 5

400

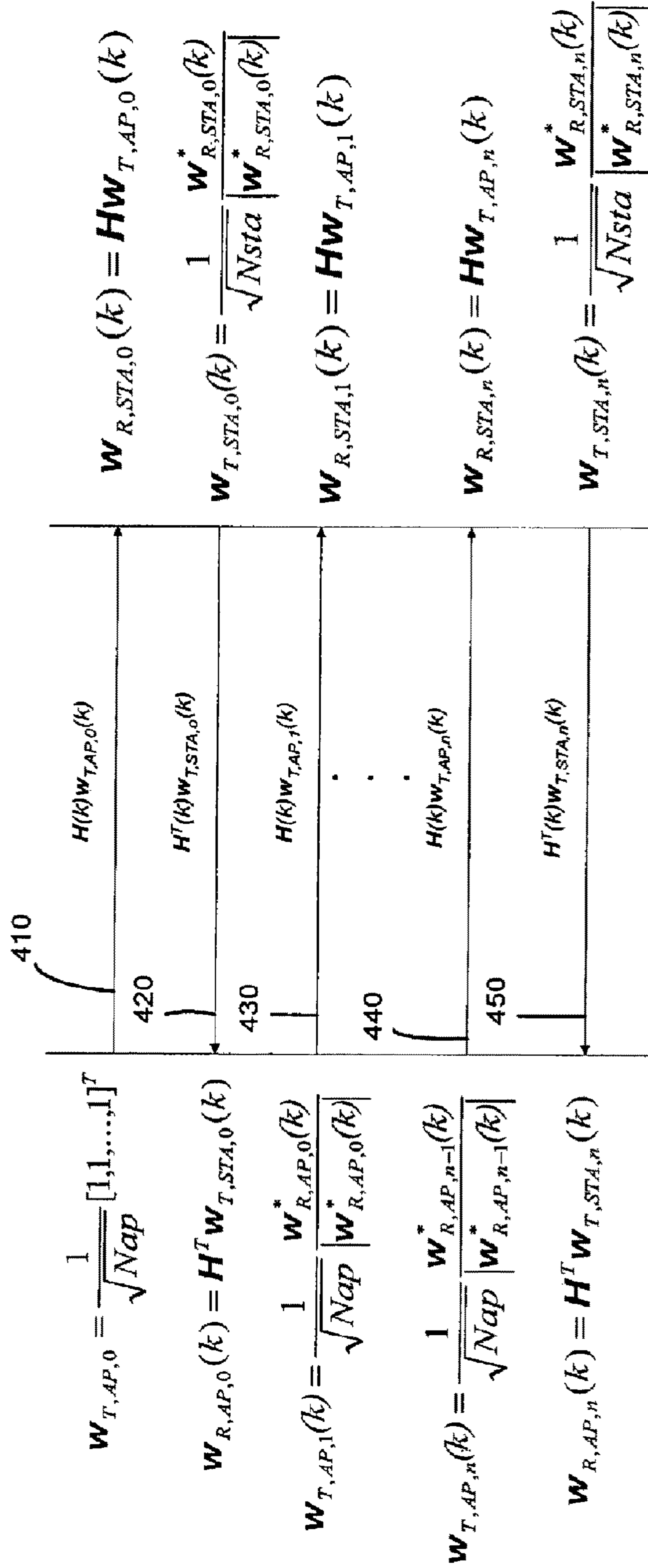


FIG. 6

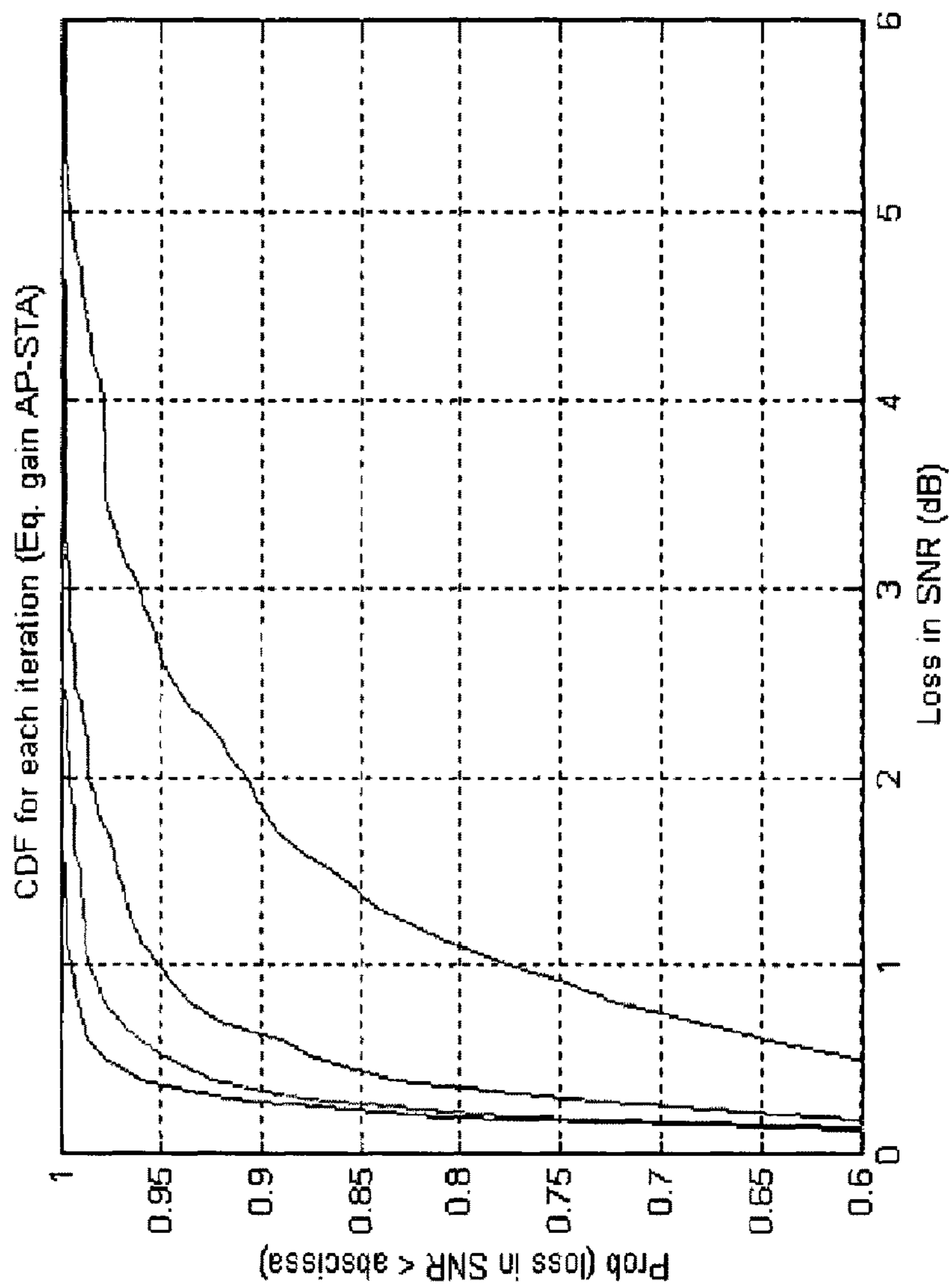




FIG. 7

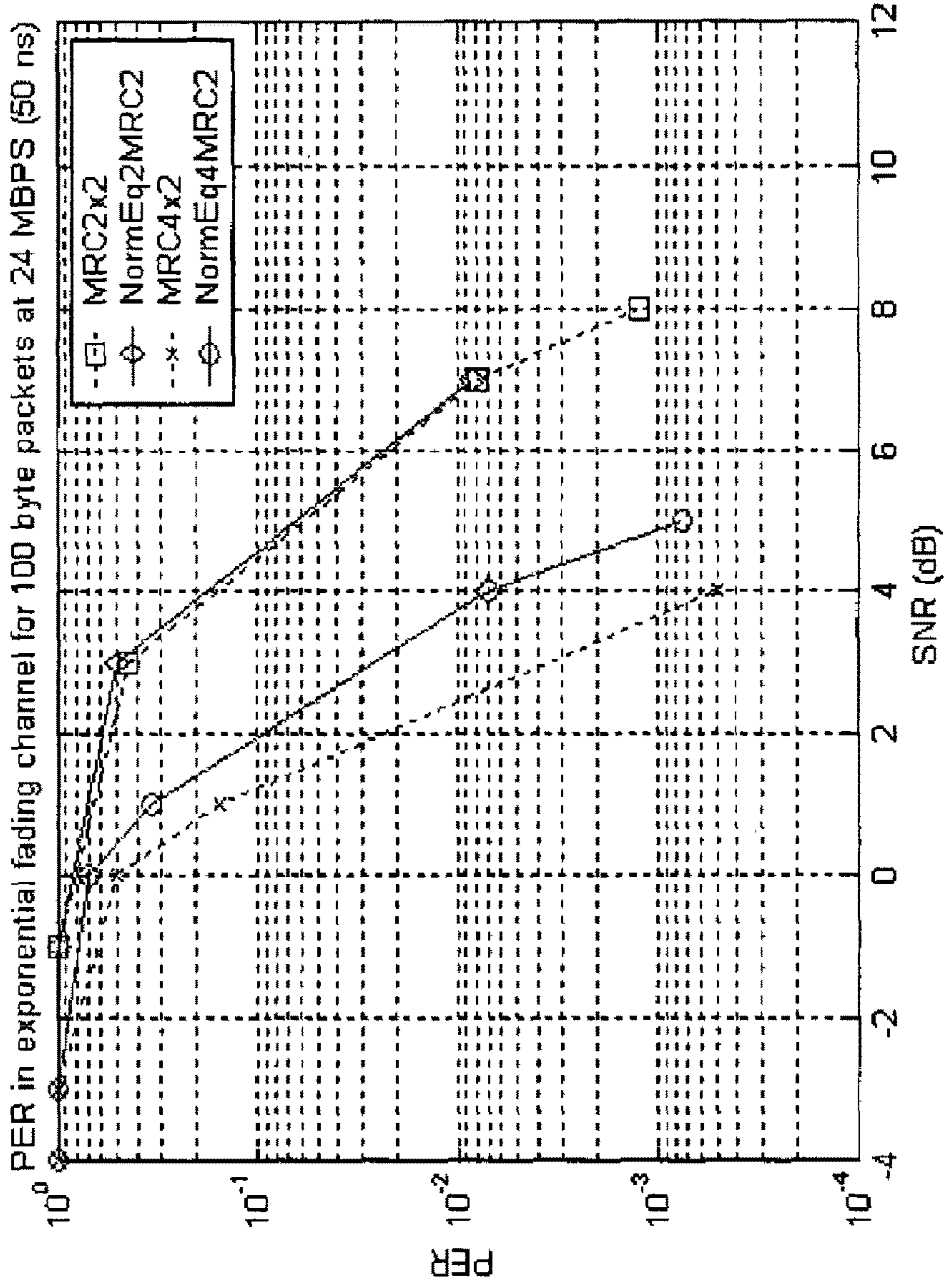


FIG. 8

500

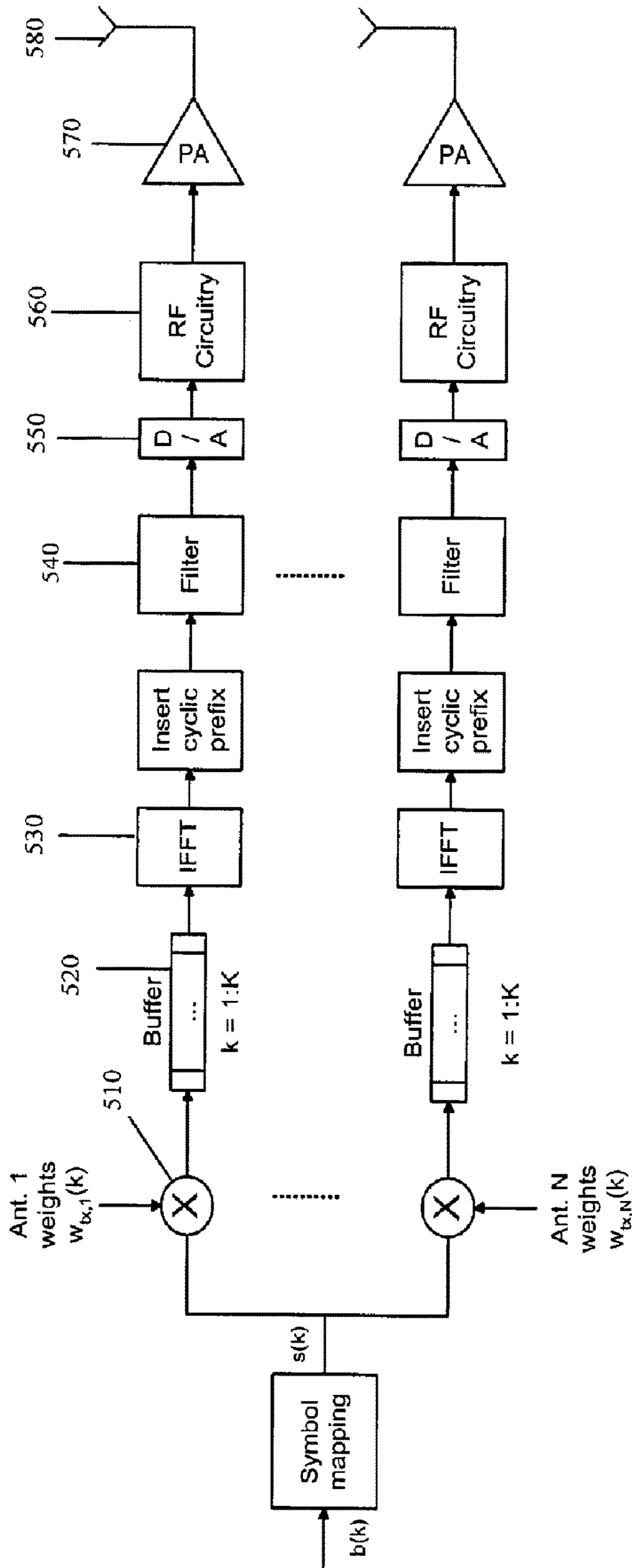




FIG. 9

600

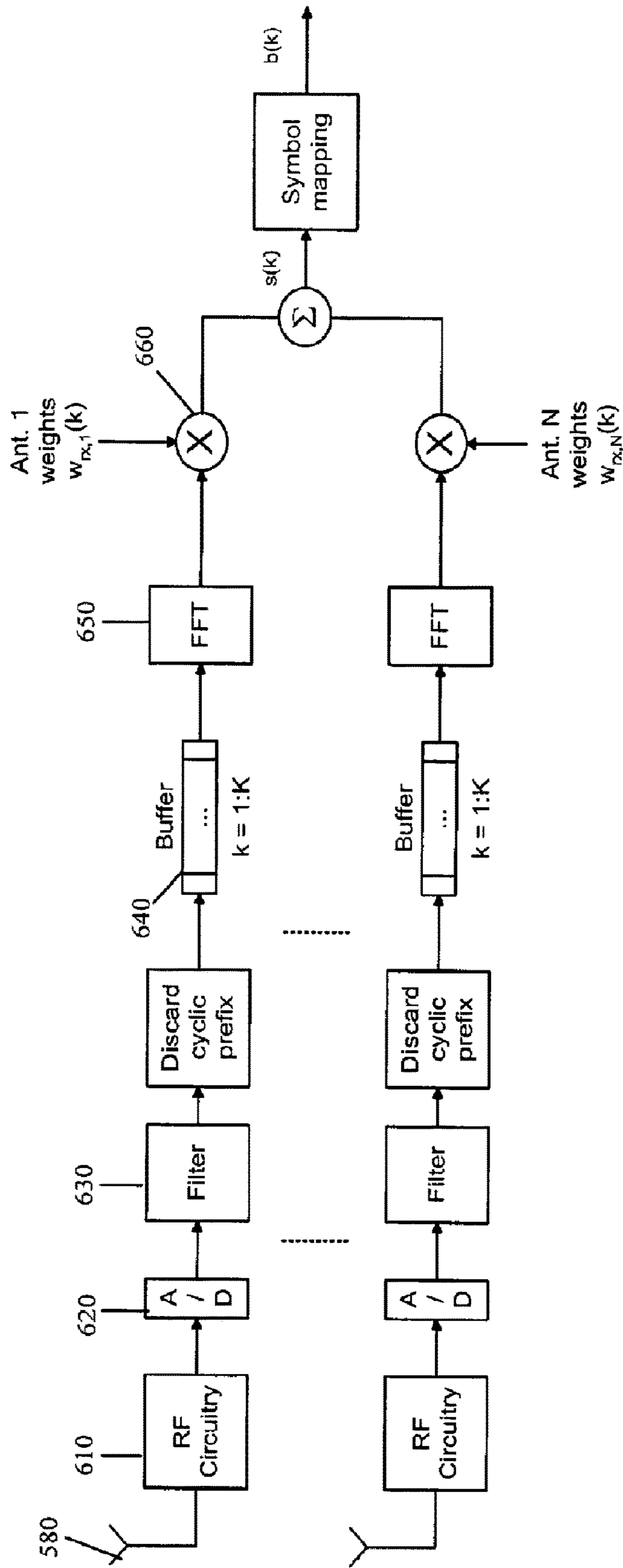


FIG. 10

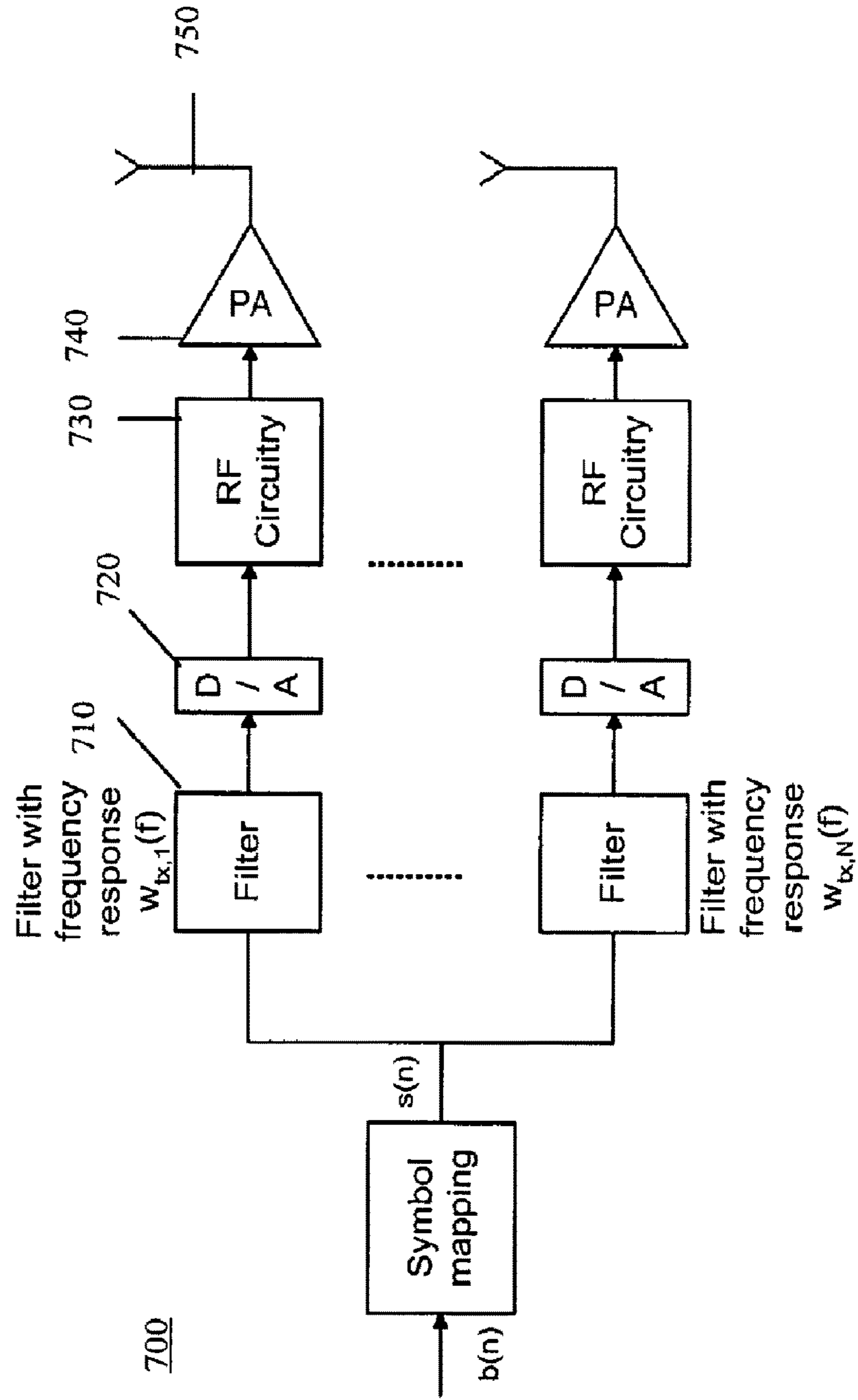




FIG. 11

800

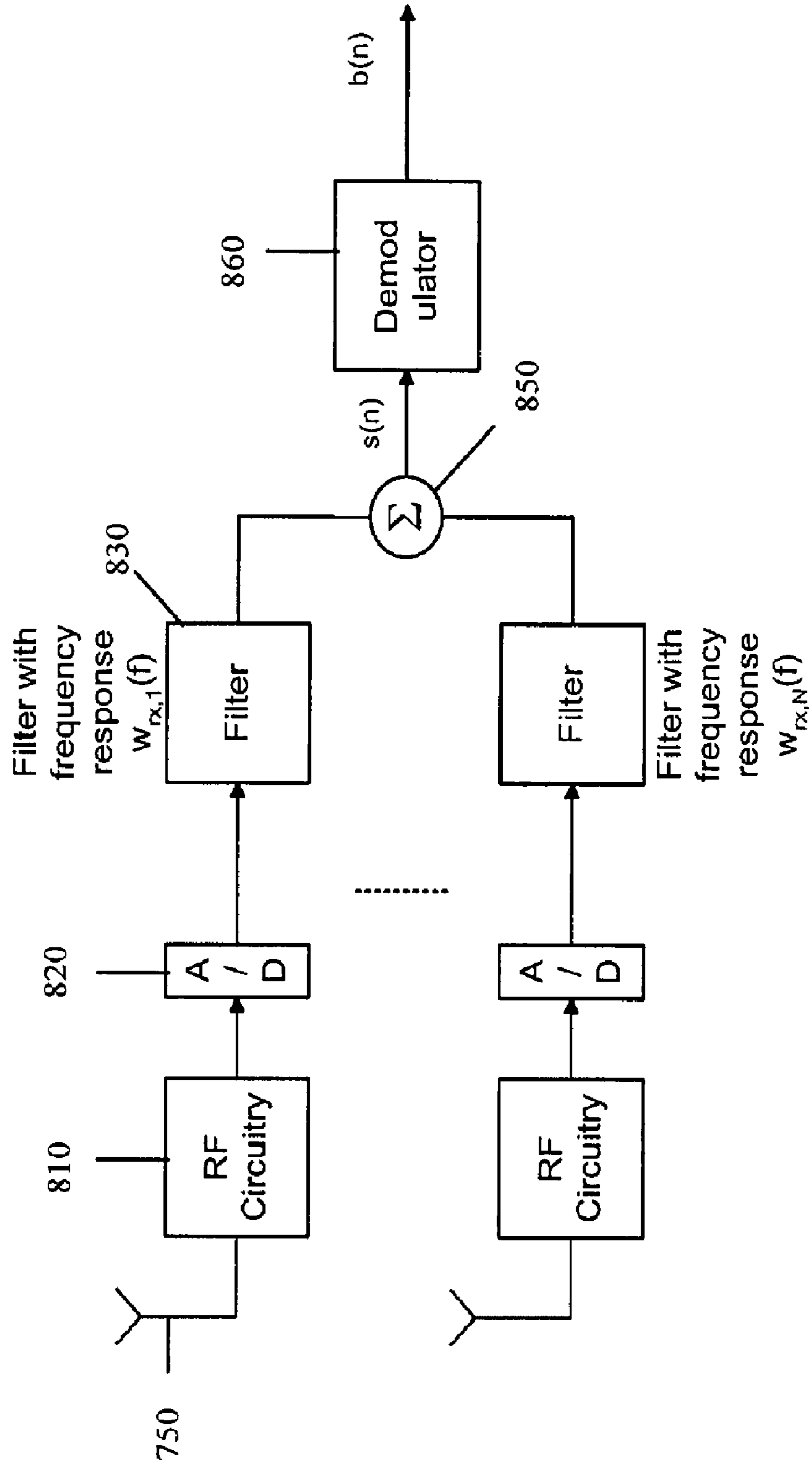
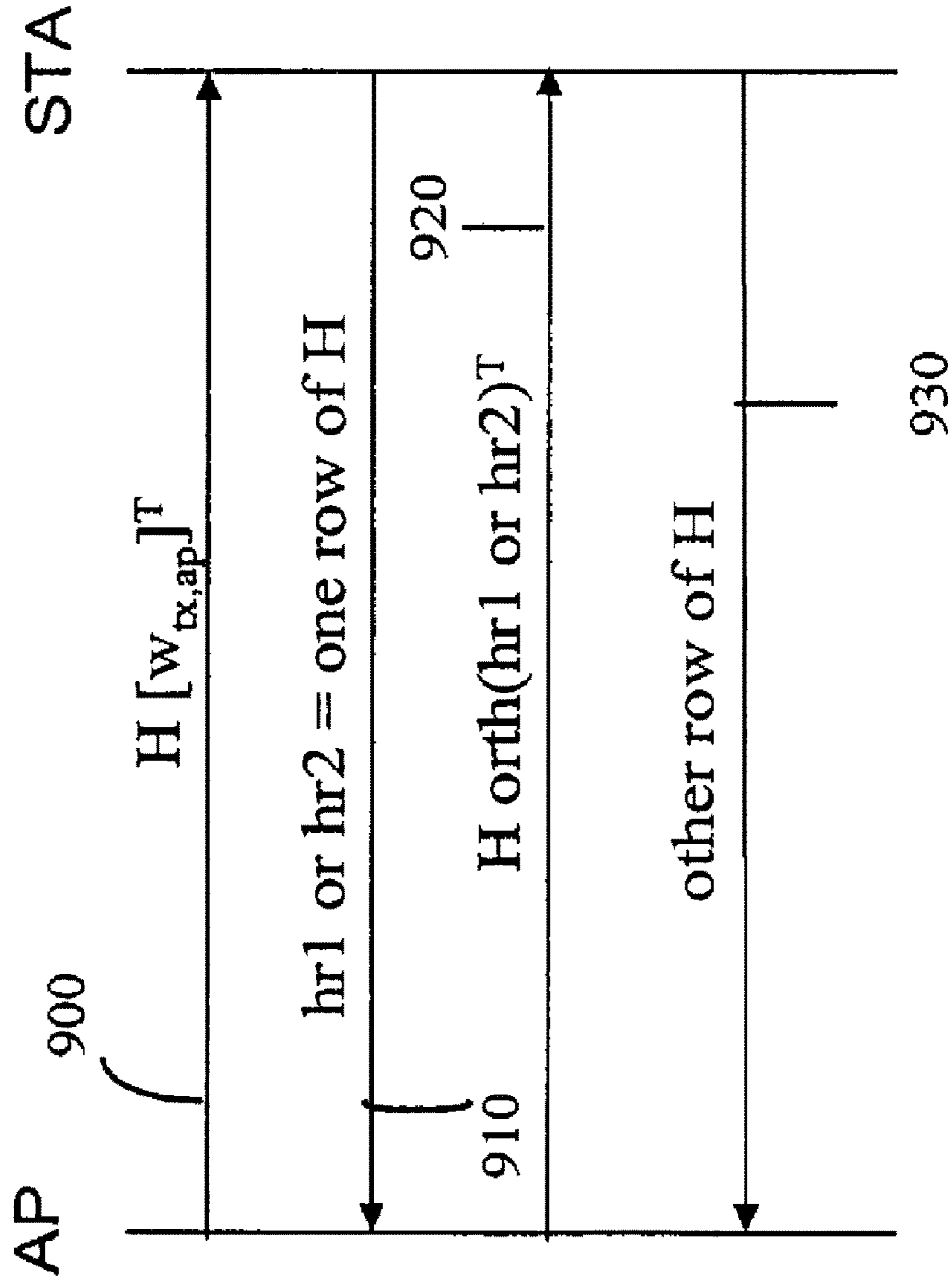


FIG. 12



**SYSTEM AND METHOD FOR ANTENNA  
DIVERSITY USING EQUAL POWER JOINT  
MAXIMAL RATIO COMBINING**

**Matter enclosed in heavy brackets [ ] appears in the original patent but forms no part of this reissue specification; matter printed in italics indicates the additions made by reissue; a claim printed with strikethrough indicates that the claim was canceled, disclaimed, or held invalid by a prior post-patent action or proceeding.**

*Notice: More than one reissue application has been filed for the reissue of U.S. Pat. No. 7,881,674. The reissue applications are reissue application Ser. No. 13/755,945 which reissued as U.S. Pat. No. RE45,425 on Mar. 17, 2015, reissue application Ser. No. 14/563,231 which reissued as U.S. Pat. No. RE46,750 on Mar. 6, 2018, and the present application.*

[This application is a continuation of U.S. application Ser. No. 10/800,610, filed Mar. 15, 2004, which is a continuation of U.S. application Ser. No. 10/174,689, filed Jun. 19, 2002, pending, which in turn claims priority to U.S. Provisional Application No. 60/361,055, filed Mar. 1, 2002, to U.S. Provisional Application No. 60/365,797 filed Mar. 21, 2002, and to U.S. Provisional Application No. 60/380,139, filed May 6, 2002. The entirety of each of the aforementioned applications are incorporated herein by reference.]

**CROSS-REFERENCE TO RELATED  
APPLICATIONS**

*This application is a continuation reissue of U.S. patent application Ser. No. 14/563,231 filed Dec. 8, 2014, which reissued as U.S. Pat. No. RE46,750 on Mar. 6, 2018, which is a continuation reissue of U.S. patent application Ser. No. 13/755,945 filed Jan. 31, 2013, which reissued as U.S. Pat. No. RE45,425 on Mar. 17, 2015, which is a reissue application of U.S. patent application Ser. No. 11/879,156 filed Jul. 16, 2007, which issued as U.S. Pat. No. 7,881,674 on Feb. 1, 2011, which is a continuation of U.S. patent application Ser. No. 10/800,610 filed Mar. 15, 2004, which issued as U.S. Pat. No. 7,245,881 on Jul. 17, 2007, which is a continuation of U.S. patent application Ser. No. 10/174,689 filed Jun. 19, 2002, which issued as U.S. Pat. No. 6,785,520 on Aug. 31, 2004, which claims the benefit of U.S. Provisional Application Ser. No. 60/361,055 filed Mar. 1, 2002, U.S. Provisional Application Ser. No. 60/365,797 filed Mar. 21, 2002, and U.S. Provisional Application Ser. No. 60/380,139 filed May 6, 2002, the contents of which are hereby incorporated by reference herein.*

**BACKGROUND OF THE INVENTION**

The present invention is directed to an antenna (spatial) processing useful in wireless communication applications, such as short-range wireless applications.

Composite Beamforming (CBE) is an antenna processing technique in which a first communication device, having a plurality of antennas, weights a signal to be transmitted by its antennas to a second communication device also having a plurality of antennas. Similarly, the second communication device weights and combines the received signals received by its antennas. A multiple-input/multiple-output (MIMO) optimized communication system is defined by CBF. The transmit weights and receive weights are determined to

optimize the link margin between the devices, thereby significantly extending the range of communication between the two communication devices. Techniques related to composite beamforming are the subject matter of above-identified commonly assigned co-pending application.

There is room for still further enhancing this CBF technique to optimize cost and implementation issues at the expense of only slight degradation in performance. Such a solution is extremely valuable in manufacturing a cost-effective integrated circuit solution.

**SUMMARY OF THE INVENTION**

An equal gain composite beamforming technique is provided that adds the constraint that the power of the signal output by each of the plurality of transmit antennas is the same, and is equal to the total power of the transmit signal divided by the number  $N$  of transmit antennas from which the signal is to be transmitted. This reduces output power requirements at each antenna. *In an example, the signal may be a multi-carrier signal. Further, a weight may be produced for each of the  $N$  transmit antennas.* By reducing output power requirements for each power amplifier, the silicon area of the power amplifiers are reduced by as much as  $N$  times (where  $N$  is the number of transmit antennas) relative to non-equal gain CBF. Many implementation advantages are achieved by equal gain CBF, including savings in silicon, power requirements, etc.

*Moreover, an amplifier may be used to amplify a signal. Also, the multi-carrier signal may be an orthogonal frequency division multiplex signal, in an example. In addition, the multi-carrier signal may have a plurality of  $K$  subcarriers. In a further example, a power may be applied to each of the  $K$  subcarriers per antenna which is equal to the total transmit power divided by  $KN$ . Further, the multi-carrier signal may be weighted for each of the  $N$  antennas per the produced weight. In yet a further example, each weight may vary with a sub-band. Additionally, the multi-carrier signal may be transmitted on an uplink channel. In still another example, the total transmit power may be scaled. The multi-carrier signal may be filtered in another example.*

The above and other objects and advantages will become more readily apparent when reference is made to the following description taken in conjunction with the accompanying drawings.

**BRIEF DESCRIPTION OF THE DRAWINGS**

FIG. 1 is a block diagram of two communication devices performing equal gain composite beamforming.

FIG. 2 shows frequency dependent weights for two antennas that are frequency shaped, but not equal gain.

FIG. 3 shows equal gain frequency dependent weights for two antennas.

FIG. 4 is a block diagram of a communication device capable of performing equal gain composite beamforming.

FIG. 5 is a flow diagram showing an adaptive algorithm to obtain equal gain transmit antenna weights for first and second communication devices in communication with each other.

[FIG. 6] FIG. 6 is a graphical diagram illustrating convergence of the adaptive algorithm shown in FIG. 5.

FIG. 7 is a graphical diagram illustrating a performance comparison between equal gain composite beamforming and non-equal gain composite beamforming.



FIG. 8 is a block diagram of a composite beamforming transmission process for a multi-carrier baseband modulation scheme.

FIG. 9 is a block diagram of a composite beamforming reception process for a multi-carrier baseband modulation scheme.

FIG. 10 is a block diagram of a composite beamforming transmission process for a single carrier baseband modulation scheme.

FIG. 11 is a block diagram of a composite beamforming reception process for a single carrier baseband modulation scheme.

FIG. 12 is a flow diagram for a process that is useful when one device on the communication link is composite beamforming capable and the other device uses antenna selection diversity capable.

#### DETAILED DESCRIPTION OF THE DRAWINGS

Referring first to FIG. 1, a system 10 is shown in which a first communication device and a second communication device 200 communicate with each other using radio frequency (RF) communication techniques. The devices use composite beamforming techniques when communicating with each other. In particular, communication device 100 has N plurality of antennas 110 and communication device 200 has M plurality of antennas 210. According to the composite beamforming (CBF) technique also described in the aforementioned co-pending application filed on even date, when communication device 100 transmits a signal to communication device 200, it applies to (i.e., multiplies or scales) a baseband signal  $s$  to be transmitted a transmit weight vector associated with a particular destination device, e.g., communication device 200, denoted  $w_{tx,1}$ . Similarly, when communication device 200 transmits a baseband signal  $s$  to communication device 100, it multiplies the baseband signals by a transmit weight vector  $w_{tx,2}$ , associated with destination communication device 100. The  $(M \times N)$  frequency dependent channel matrix from the N plurality of antennas of the first communication device 100 to M plurality of antennas of the second communication device 200 is  $H(k)$ , and the frequency dependent communication channel  $(N \times M)$  matrix between the M plurality of antennas of the second communication device and the N plurality of antennas of the first communication device is  $H^T(k)$ .

The transmit weight vectors  $w_{tx,1}$  and  $[w_{tx,2}]$  each comprises a plurality of transmit weights corresponding to each of the N and M antennas, respectively. Each transmit weight is a complex quantity. Moreover, each transmit weight vector is frequency dependent; it may vary across the bandwidth of the baseband signal  $s$  to be transmitted. For example, if the baseband signal  $s$  is a multi-carrier signal of K sub-carriers, each transmit weight for a corresponding antenna varies across the K sub-carriers. Similarly, if the baseband signal  $s$  is a single-carrier signal (that can be divided or synthesized into K frequency sub-bands), each transmit weight for a corresponding antenna varies across the bandwidth of the baseband signal. Therefore, the transmit weight vector is dependent on frequency, or varies with frequency sub-band/sub-carrier  $k$ , such that  $[w_{tx}]$  becomes  $w_{tx}(f)$ , or more commonly referred to as  $w_{tx}(k)$ , where  $k$  is the frequency sub-band/sub-carrier index.

While the terms frequency sub-band/sub-carrier are used herein in connection with beamforming in a frequency dependent channel, it should be understood that the term "sub-band" is meant to include a narrow bandwidth of spectrum forming a part of a baseband signal. The sub-band

may be a single discrete frequency (within a suitable frequency resolution that a device can process) or a narrow bandwidth of several frequencies.

The receiving communication device also weights the signals received at its antennas with a receive antenna weight vector  $w_{rx}(k)$ . Communication device 100 uses a receive antenna weight vector  $w_{rx,1}(k)$  when receiving a transmission from communication device 200, and communication device 200 uses a receive antenna weight vector  $w_{rx,2}(k)$  when receiving a transmission from communication device 100. The receive antenna weights of each vector are matched to the received signals by the receiving communication device. The receive weight vector may also be frequency dependent.

Generally, transmit weight vector  $w_{tx,1}$  comprises a plurality of transmit antenna weights  $w_{tx,1,i} = \beta_{1,i}(k)e^{j\phi_{1,i}(k)}$ , where  $\beta_{1,i}(k)$  is the magnitude of the antenna weight,  $\phi_{1,i}(k)$  is the phase of the antenna weight,  $i$  is the antenna index, and  $k$  is the frequency sub-band or sub-carrier index (up to K frequency sub-bands/sub-carriers). The subscripts tx,1 denote that it is a vector that communication device 100 uses to transmit to communication device 200. Similarly, the subscripts tx,2 denote that it is a vector that communication device 200 uses to transmit to communication device 100.

Under the constraint of an equal gain composite beamforming (EGCBF) process, the power of the transmit signal output by each transmit antenna is the same, and is equal to the total power associated with the transmit signal ( $P_{tx}$ ) divided by the number of transmit antennas. Thus, for communication device 100, that is  $P_{tx}/N$ . For communication device 200, that is  $P_{tx}/M$ . Consequently, each power amplifier associated with an antenna need only support  $1/N$  of the total output power. Example: For  $N=4$ ,  $P_{tx}=17$  dBm, each power amplifier need only support a max linear output power of  $17-10\log(4)=11$  dBm. Thus, whereas for non-equal gain composite beamforming each power amplifier must support to the total transmit power, such is not the case for equal gain beamforming. The equal-gain constraint makes the power amplifier design much simpler. Equal gain CBF performs very close to non-equal gain CBF (within 1-2 dB), but costs significantly less to implement in terms of power amplifier requirements and affords the opportunity to deploy the power amplifiers on the same silicon integrated circuit as the RF circuitry.

When considering a frequency dependent communication channel, the EGCBF constraint implies that for each and every antenna  $i$ , the sum of the power  $|w_{tx,i}(k)|^2$  of the antenna signal across all of frequencies of the baseband signal (the frequency sub-bands or sub-carrier frequencies  $k=1$  to  $K$ ) is equal to  $P_{tx}/N$ . This is the equal gain constraint applied to a frequency dependent channel represented by K sub-carrier frequencies or frequency sub-bands.

An additional constraint can be imposed on the frequency dependent equal gain constraint explained above. This additional constraint is a frequency shaping constraint which requires that at each frequency of the baseband signal to be transmitted (e.g., frequency sub-band or frequency sub-carrier  $k$ ), the sum of the power of signals across all of the transmit antennas ( $|w_{tx,i}(k)|^2$  for  $i=1$  to  $N$ ) is equal to  $P_{tx}/K$ . This constraint is useful to ensure that, in an iterative process between two communication devices, the transmit weights of the two devices will converge to optimal values. An additional benefit of this constraint is that the transmitting device can easily satisfy spectral mask requirements of a communication standard, such as IEEE 802.11x.

One solution to a system that combines the frequency selective equal gain constraint and the frequency shaping



## 5

constraint is that  $|w_{tx,i}(k)|^2 = P_{tx}/(KN)$ . This solution says that the magnitude of each transmit antenna weight is  $P_{tx}/(KN)$ . If the transmit weight vector is normalized to unity, i.e., divided by  $[P_{tx}/(KN)]^{1/2}$ , then the vectors for all of the antennas across all of the  $k$  frequency sub-bands becomes a  $N \times K$  matrix of phase values  $e^{i\phi_{ik}}$ , where  $i$  is the antenna index and  $k$  is the sub-band/sub-carrier index.

$$\begin{array}{ccccccc} e^{j\phi_{11}} & e^{j\phi_{21}} & e^{j\phi_{31}} & \dots & e^{j\phi_{V1}} & & \\ & e^{j\phi_{12}} & & & & e^{j\phi_{V2}} & \\ & e^{j\phi_{13}} & & & & e^{j\phi_{V3}} & \\ & \dots & & & & \dots & \\ e^{j\phi_{1K}} & e^{j\phi_{2K}} & e^{j\phi_{3K}} & \dots & e^{j\phi_{NK}} & & \end{array}$$

FIG. 2 shows the magnitude of the antenna weights in a 2-antenna example that satisfy the frequency shaping constraint but not the equal gain constraint. The magnitude of the antenna weights for the two antennas at each of three exemplary frequency sub-bands ( $k$ ,  $k+1$ ,  $k+2$ ) are shown. The sum of the magnitude of the antenna weights of both antennas at any of the frequency sub-bands shown adds to a constant value,  $P_{tx}/K$ .

FIG. 3 shows the magnitude of the antenna weights in the 2-antenna example that satisfy the equal gain constraint and the frequency shaping constraint. In this example, the total power at antenna 1 (i.e., the total area under the weight curve across  $k$  frequency sub-bands) is  $P/2$  ( $N=2$  in the example) and the total power of the antennas at any frequency sub-band  $k$  is  $P/K$ . Thus, the power or magnitude of the transmit antenna weight for any given antenna is equal (constant) across the bandwidth of the baseband signal, and is equal to  $P/(KN)$  for all  $k$ . In other words, at each antenna, the power is equally distributed across the bandwidth of the baseband signal.

For EGCBF, the optimization problem becomes

$$\text{argmax}\{w_{tx,1}^H(k)H^H(k)H(k)w_{tx,1}(k)\}, \text{ subject to } |w_{tx,i}(k)|^2 = P_{tx}/(NK). \quad (1)$$

A closed-form solution to equation (1) is difficult to obtain since it requires the solution of a non-linear system of equations. However, the following necessary conditions for the solution to (1) have been derived and are given below:

Optimal  $w_{rx}$  satisfies  $w_{rx} = kHw_{tx}$  for some nonzero constant  $k$ .

Optimal  $w_{tx}$  satisfies  $\text{Im}(\Lambda^*H^HHe^{i\phi})=0$ ,  $\Lambda = \text{diag}(e^{i\phi^0}, e^{i\phi^1}, \dots, e^{i\phi^{N-1}})$ ,  $w_{tx} = e^{i\phi} = (e^{i\phi^0}, e^{i\phi^1}, \dots, e^{i\phi^{N-1}})^T$ . One solution to equation (1) is an adaptive algorithm for EGCBF. Although the algorithm is not necessarily optimal in terms of solving equation (1), it is simple to implement and simulations have verified that it converges reliably at the expense of only a 1-2 dB performance penalty relative to non-equal gain CBF. This adaptive algorithm is described hereinafter in conjunction with FIG. 5.

The communication devices at both ends of the [link.] link, i.e., devices 100 and 200 may have any known suitable architecture to transmit, receive and process signals. An example of a communication device block diagram is shown in FIG. 4. The communication device 300 comprises an RF section 310, a baseband section [420] 320 and optionally a host 330. There are a plurality of antennas, e.g., four antennas 302, 304, 306, 308 coupled to the RF section 310 that are used for transmission and reception. The device may have only two antennas. The RF section 310 has a trans-

## 6

mitter (Tx) 312 that upconverts baseband signals for transmission, and a receiver (Rx) 314 that downconverts received RF signals for baseband processing. In the context of the composite beamforming techniques described herein, the Tx 312 upconverts and supplies separately weighted signals to corresponding ones of each of the plurality of antennas via separate power amplifiers for simultaneous transmission. Similarly, the Rx 314 downconverts and supplies received signals from each of the plurality of antennas to the baseband section 320. The baseband section 320 performs processing of baseband signals to recover the information from a received signal, and to convert information in preparation for transmission. The baseband section 320 may implement any of a variety of communication formats or standards, such as WLAN standards IEEE 802.11x, Bluetooth™, as well as other standards.

The intelligence to execute the computations for the composite beamforming techniques described herein may be implemented in a variety of ways. For example, a processor 322 in the baseband section 320 may execute instructions encoded on a processor readable memory 324 (RAM, ROM, EEPROM, etc.) that cause the processor 322 to perform the composite beamforming steps described herein. Alternatively, an application specific integrated circuit (ASIC) may be configured with the appropriate firmware, e.g., field programmable gates that implement digital signal processing instructions to perform the composite beamforming steps. This ASIC may be part of, or the entirety of, the baseband section 320. Still another alternative is for the beamforming computations to be performed by a host processor 332 (in the host 330) by executing instructions stored in (or encoded on) a processor readable memory 334. The RF section 310 may be embodied by one integrated circuit, and the baseband section 320 may be embodied by another integrated circuit. The communication device on each end of the communication link need not have the same device architecture or implementation.

Regardless of the specific implementation chosen, the composite beamforming process is generally performed as follows. A transmit weight vector (comprising a plurality of complex transmit antenna weights corresponding to the number of transmit antennas) is applied to, i.e., scaled or multiplied by, a baseband signal to be transmitted, and each resulting weighted signal is coupled to a transmitter where it is upconverted, amplified and coupled to a corresponding one of the transmit antennas for simultaneous transmission. At the communication device on the other end of the link, the transmit signals are detected at each of the plurality of antennas and downconverted to a baseband signal. Each baseband signal is multiplied by a corresponding one of the complex receive antenna weights and combined to form a resulting receive signal. The architecture of the RF section necessary to accommodate the beamforming techniques described herein may vary with a particular RF design, and many are known in the art and thus is not described herein.

With reference to FIG. 5, an adaptive procedure 400 for determining near optimum transmit antenna weight vectors for first and second communication devices will be described. The antenna weight parameters in FIG. 4 are written with indexes to reflect communication between a WLAN access point (AP) and a station (STA), but without loss of generality, it should be understood that this process is not limited to WLAN application, but is useful in any short-range wireless application. The AP has  $N_{ap}$  antennas and the STA has  $N_{sta}$  antennas. Assuming the AP begins with a transmission to the STA, the initial AP transmit weight vector  $w_{T,AP,0}(k)$  is  $[1, 1, \dots, 1]$ , equal gain and



normalized by  $1/(N_{ap})^{1/2}$  for all antennas and all frequency sub-bands/sub-carriers  $k$ . Phase for the transmit antenna weights is also initially set to zero. The index  $T$  indicates it is a transmit weight vector, index  $AP$  indicates it is an AP vector, index  $0$  is the iteration of the vector, and  $(k)$  indicates that it is frequency sub-band/sub-carrier dependent. The index  $i$  is the antenna index. The transmit weight vectors identified in FIG. 5 form an  $N \times K$  matrix explained above.

In step 410, a baseband signal is scaled by the initial AP transmit weight vector  $w_{T,AP,0}(k)$ , upconverted and transmitted to the STA. The transmitted signal is altered by the frequency dependent channel matrix  $H(k)$  from AP-STA. The STA receives the signal and matches its initial receive weight vector  $w_{R,STA,0}(k)$  to the signals received at its antennas. In step 420, the STA gain normalizes the receive weight vector  $w_{R,STA,0}(k)$  and computes the conjugate of gain-normalized receive weight vector to generate the STA's initial transmit weights for transmitting a signal back to the AP. The STA scales the signal to be transmitted to the AP by the initial transmit weight vector, upconverts that signal and transmits it to the AP. Computing the conjugate for the gain-normalized vector means essentially co-phasing the receive weight vector (i.e., phase conjugating the receive weight vector). The transmitted signal is effectively scaled by the frequency dependent channel matrix  $H^T(k)$ . At the AP, the receive weight vector is matched to the signals received at its antennas. The AP then computes the conjugate of the gain-normalized receive weight vector as the next transmit weight vector  $w_{T,AP,1}(k)$  and in step 430 transmits a signal to the STA with that transmit weight vector. The STA receives the signal transmitted from the AP with this next transmit weight vector and matches to the received signals to compute a next receive weight vector  $w_{R,STA,1}(k)$ . Again, the STA computes the conjugate of the gain-normalized receive weight vector  $w_{R,STA,1}(k)$  as its next transmit weight vector  $w_{T,STA,1}(k)$  for transmitting a signal back to the AP. This process repeats for several iterations, ultimately converging to transmit weight vectors that achieve nearly the same performance as non-equal gain composite beamforming. This adaptive process works even if one of the devices, such as a STA, has a single antenna for transmission and reception. In addition, throughout the adaptive process, the frequency shaped constraint may be maintained so that for each antenna, the transmit antenna weight is constant across the bandwidth of the baseband signal.

FIG. 6 shows that the adaptive algorithm converges to performance loss that is less than 1 dB with 95% probability after 3-4 iterations. FIG. 7 shows simulation results that indicate that the performance degradation compared to the non-equal gain composite beamforming case is only 1-2 dB.

Each communication device stores the transmit antenna weights determined to most effectively communicate with each of the other communication devices that it may communicate with. The transmit antenna weights may be determined according to the adaptive algorithm described above. When storing the transmit weights of a transmit weight vector, in order to conserve memory space in the communication device, the device may store, for each antenna, weights for a subset or a portion of the total number of weights that span the bandwidth of the baseband signal. For example, if there are  $K$  weights for  $K$  frequency sub-bands or sub-carrier frequencies, only a sampling of those weights are actually stored, such as weights for every other, every third, every fourth, etc.,  $k$  sub-band or sub-carrier. Then, the stored subset of transmit weights are retrieved from storage when a device is to commence transmission of a signal, and the remaining weights are generated by interpolation from

the stored subset of weights. Any suitable interpolation can be used, such as linear interpolation, to obtain the complete set of weights across the  $K$  sub-bands or sub-carriers for each antenna.

With reference to FIG. 8, a beamforming transmission process 500 is shown for a multi-carrier baseband modulation scheme. For a multi-carrier modulation system, such as an orthogonal frequency division multiplexed (OFDM) system used in IEEE 802.11a, the data symbols are in the frequency domain.  $K$  symbols are assigned to  $K$  sub-carriers ( $K=52$  for 802.11a). For convenience, each of the transmit antenna weights are described as a function of  $(k)$ , the sub-carrier frequency. The equal gain transmit antenna weights are computed by any of the processes described herein at each of the sub-carrier frequencies. There is a signal processing path for each of the  $N$  antennas. In each signal processing path, a multiplier 510 multiplies the frequency domain symbol  $s(k)$  by the corresponding equal-gain transmit antenna weight  $w_{tx}(k)$  and because  $w_{tx}(k)$  has  $K$  values, there are  $K$  results from the multiplication process. The results are stored in a buffer 520 for  $k=1$  to  $K$ . An inverse Fast Fourier Transform (IFFT) 530 is coupled to the buffer to convert the frequency domain results stored in buffer 520 to a digital time domain signal for each of the  $K$  sub-carriers. There may be some adjustment made for cyclic prefixes caused by the OFDM process. A filter 540 provides lowpass filtering of the result of the IFFT process. The digital results of the filtering process are converted to analog signals by a D/A 550. The outputs of the D/A 550 are coupled to RF circuitry 560 that upconverts the analog signals to the appropriate RF signal which is coupled via a power amplifier (PA) 570 to one of the  $N$  antennas 580. In this manner, for each antenna 580, the signal  $s(k)$  is multiplied by respective transmit antenna weights whose phase values may vary as a function of the sub-carrier frequency  $k$ .

FIG. 9 shows a reception process 600 that is essentially the inverse of the transmission process 500 shown in FIG. 8. There is a signal processing channel for each of the antennas 580. RF circuitry 610 downconverts the RF signals detected at each antenna 580 for each of the sub-carriers. An A/D 620 converts the analog signal to a digital signal. A lowpass filter 630 filters the digital signal. There may be some adjustment made for cyclic prefixes caused by the OFDM process. A buffer 640 stores the time domain digital signal in slots associated with each sub-carrier frequency  $k$ . An FFT 650 converts the time domain digital signal in buffer 640 to a frequency domain signal corresponding to each sub-carrier frequency  $k$ . The output of the FFT 650 is coupled to a multiplier 660 that multiplies the digital signal for each sub-carrier  $k$  by a corresponding receive antenna weight  $w_{rx}(k)$  for the corresponding one of the  $N$  antennas. The outputs of each of the multipliers 660 are combined by an adder [670] to recover the digital frequency domain symbol  $s(k)$ . The signal  $s(k)$  is then mapped back to symbol  $b(k)$ .

FIGS. 10 and 11 show transmission and reception processes, respectively, that are applicable to a single-carrier baseband modulation scheme, such as that used by the IEEE 802.11b standard. The data symbols in such a system are  $[m]$  in the time domain. FIG. 10 shows a beamforming transmission process 700. Since in a frequency dependent channel, the transmit antenna weights are frequency dependent, the passband of the time-domain baseband signal is synthesized into frequency bins or sub-bands ( $K$  bins or sub-bands) and equal gain transmit beamforming weights are computed for each frequency bin using any of the processes described herein. There are processing channels for each antenna. In



each processing channel, transmit filters **710** are synthesized with the frequency response specified by the beamforming weights. Thus, each transmit filter **710** has a frequency response defined by the transmit antenna weight  $w_{tx}(f)$  associated with that antenna. The data symbol  $s(n)$  is passed through the transmit filter **710** which in effect applies the frequency dependent antenna weight  $w_{tx}(f)$  to the data symbol  $s(n)$ . The D/A **720** converts the digital output of the transmit filter **710** to an analog signal. The RF circuitry **730** upconverts the analog signal and couples the upconverted analog signal to an antenna **750** via a power amplifier **740**.

FIG. **11** shows a reception process **800** suitable for a single carrier system. There is a processing channel for each antenna **750**. In each processing channel, RF circuitry **810** downconverts the received RF signal. An A/D **820** converts the downconverted analog signal to a digital signal. Like the frequency dependent transmit antenna weights, the receive antenna weights are computed for the plurality of frequency sub-bands. Receive filters **830** are synthesized with the frequency response specified by the frequency dependent receive beamforming weights  $w_{rx}(f)$  and the received digital signal is passed through filters **830** for each antenna, effectively applying a frequency dependent antenna weight to the received signal for each antenna. The results of the filters **830** are combined in an adder **850**, and then passed to a demodulator **860** for demodulation.

FIG. **12** shows a procedure for use when only one of the two devices supports beamforming. For example, N-CBF is supported at a first communication device (an AP) but not at a second communication device (a STA). In this case, the STA is likely to support 2-antenna Tx/Rx selection diversity as discussed previously. If this is the case, it is possible for the AP to achieve 3 dB better performance than Nth order maximal ratio combining (MRC) at both ends of the link.

When a STA associates or whenever a significant change in channel response is detected, the AP sends a special training sequence to help the STA select the best of its two antennas. The training sequence uses messages entirely supported by the applicable media access control protocol, which in the following example is IEEE 802.11x.

The sequence consists of 2 MSDUs (ideally containing data that is actually meant for the STA so as not to incur a loss in throughput). In step **900**, the AP sends the first MSDU using a Tx weight vector having equal gain orthogonal transmit weights (also optionally frequency shaped). For example, if the number of AP antennas is 4, the transmit weight vector is  $[1 \ 1 \ 1 \ 1]^T$ . In step **910**, the 2-antenna selection diversity STA responds by transmitting a message using one of **[its]** *its* two antennas; the antenna that best received the signal from the AP. The AP decodes the message from the STA, and obtains one row of the H matrix (such as the first row  $h_{r,1}$ ). In step **920**, the AP sends the second MSDU using a frequency dependent transmit weight vector which is orthogonal to the first row of H (determined in step **[610]** *910*), and equal-gain normalized such that the magnitude of the signals at each antenna is equal to  $P/N$ . In addition, the transmit weight vector may be frequency shaped across so that at each frequency of the baseband signal, the sum of the power output by the antennas of the first communication device is constant across. When the STA receives the second MSDU, it forces the STA to transmit a response message in step **[630]** *930* using the other antenna, allowing the AP to see the second row of the H matrix, such as  $h_{r,2}$ . Now the AP knows the entire H matrix. The AP then decides which row of the H matrix will provide “better” MRC at the STA by computing a norm of each row,  $h_{r,1}$  and  $h_{r,2}$ , of the H matrix and, and selecting the

row that has the greater norm as the frequency dependent transmit weight vector for further transmissions to that STA until another change is detected in the channel. The row that is selected is equal gain normalized before it is used for transmitting to that STA.

Equal gain composite beamforming provides significant advantages. By reducing output power requirements for each power amplifier, the silicon area of the power amplifiers are reduced by as much as N times (where N is equal to the number of antennas) relative to non-equal gain CBF. The silicon area savings translates into a cost savings due to (1) less silicon area, and (2) the ability to integrate the power amplifiers onto the same die (perhaps even the same die as the radio frequency transceiver itself).

The efficiency (efficiency being defined as the output power divided by DC current consumption) for each power amplifier is N times larger in the EGCBF case than in the non-equal gain CBF case. With EGCBF, the same output power as non-equal CBF is achieved with N times less DC current.

Equal gain CBF reduces power requirements for each of the power amplifiers, which in turn increases the output impedance of each of the power amplifiers (since impedance is inversely proportional to current, and supply current requirements will be reduced). When the output impedance of the power amplifier is increased, the matching networks required for the power amplifiers are greatly simplified and require less silicon area. Moreover, reducing power requirements for the individual power amplifiers provides greater flexibility for systems with low supply voltage.

To summarize, a method is provided that accomplishes applying a transmit weight vector to a baseband signal to be transmitted from the first communication device to the second communication device, the transmit weight vector comprising a complex transmit antenna weight for each of N plurality of antennas of the first communication device, wherein each complex transmit antenna weight has a magnitude and a phase whose values may vary with frequency across a bandwidth of the baseband signal, thereby generating N transmit signals each of which is weighted across the bandwidth of the baseband signal, wherein the magnitude of the complex transmit antenna weight associated with each antenna is such that the power to be output at each antenna is the same and is equal to the total power to be output by all of the N antennas divided by N; receiving at the N plurality of antennas of the first communication device a signal that was transmitted by the second communication device; determining a receive weight vector comprising a plurality of complex receive antenna weights for the N plurality of antennas of the first communication device from the signals received by the N plurality of antennas, wherein each receive antenna weight has a magnitude and a phase whose values may vary with frequency; and updating the transmit weight vector for the N plurality of antennas of the first communication device for transmitting signals to the second communication device by gain normalizing the receive weight vector and computing a conjugate thereof. This process may be performed such that at substantially all frequencies of the baseband signal, the sum of the magnitude of the complex transmit antenna weights across the plurality of antennas of the first communication device is constant. Moreover, where the bandwidth of the baseband signal comprises K plurality of frequency sub-bands, the magnitude of the complex transmit antenna weights associated with each of the N plurality of antennas is such that the power to be output by each antenna is the same and is equal to  $1/(KN)$  of the total power to be output for all of the K



## 11

frequency sub-bands. This process may be embodied by instructions encoded on a medium or in a communication device.

In addition, a method is provided that accomplishes a method for communicating signals from a first communication device to a second communication device using radio frequency (RF) communication techniques, comprising: applying to a first signal to be transmitted from the first communication device to the second communication device a transmit weight vector, the transmit weight vector comprising a complex transmit antenna weight for each of the N plurality of antennas, wherein each complex transmit antenna weight has a magnitude and a phase whose values may vary with frequency across a bandwidth of the baseband signal, thereby generating N transmit signals each of which is weighted across the bandwidth of the baseband signal, wherein the magnitude of the complex transmit antenna weights associated with each antenna is such that the power to be output at each antenna is the same and is equal to the total power to be output by all of the N antennas divided by N; from a first response signal at the plurality of antennas of the first communication device transmitted from a first of two antennas of the second communication device, deriving a first row of a channel response matrix that describes the channel response between the first communication device and the second communication device; applying to a second signal for transmission by the plurality of antennas of the first communication device a transmit weight vector that is orthogonal to the first row of the channel response matrix, and wherein the transmit weight vector comprises a plurality of complex transmit antenna weights, wherein each complex transmit antenna weight has a magnitude and a phase whose values may vary with frequency across a bandwidth of the second signal, thereby generating N transmit signals each of which is weighted across the bandwidth of the baseband signal, wherein the magnitude of the complex transmit antenna weights associated with each antenna is such that the power to be output at each antenna is the same and is equal to the total power to be output by all of the N antennas divided by N; deriving a second row of the channel response matrix from a second response signal received from a second of the two antennas of the second communication device; and selecting one of the first and second rows of the channel response matrix that provides better signal-to-noise at the second communication device as the transmit weight vector for further transmission of signals to the second communication device. This process may be performed such that at substantially all frequencies of the baseband signal, the sum of the magnitude of the complex transmit antenna weights across the plurality of antennas of the first communication device is constant. Moreover, where the bandwidth of the baseband signal comprises K plurality of frequency sub-bands, the magnitude of the complex transmit antenna weights associated with each of the N plurality of antennas is such that the power to be output by each antenna is the same and is equal to  $1/(KN)$  of the total power to be output for all of the K frequency sub-bands. This process may be embodied by instructions encoded on a medium or in a communication device.

The above description is intended by way of example only.

What is claimed is:

- [1.** A wireless communication device, comprising:  
 a plurality of N antennas;  
 a baseband processor configured to determine a receive weight vector of a plurality of complex receive antenna

## 12

weights for each of the plurality of N antennas, the receive antenna weights applied to a received baseband signal;

compute a transmit weight vector by computing a conjugate of the receive weight vector, the transmit weight vector comprising a complex transmit antenna weight for each of plurality of N antennas of the communication device, wherein each complex transmit antenna weight has a magnitude and a phase whose values may vary with frequency across a bandwidth of the baseband signal, thereby generating a plurality of N transmit signals each of which is weighted across the bandwidth of the baseband signal to be transmitted from corresponding ones of the plurality of N antennas to a second communication device, wherein the magnitude of the complex transmit antenna weight associated with each antenna is such that the power to be output at each antenna is the same and is equal to the total power to be output by all of the N antennas divided by N and such that the sum of the power at each corresponding frequency across the plurality of transmit signals is equal to a constant;

apply the transmit weight vector to a baseband signal for transmission via the plurality of N antennas; and  
 update the transmit weight vector by repeating the determining of the receive weight vector and computing of the transmit weight vector each time signals are received to update the transmit weight vector.]

**[2.** The device of claim 1, wherein the bandwidth of the baseband signal comprises K plurality of frequency sub-bands, and the magnitude of the complex transmit antenna weights associated with each of the plurality of N antennas is such that the power to be output by each antenna is the same and is equal to  $1/(KN)$  of the total power to be output for all of the K frequency sub-bands of the communication device.]

**[3.** The device of claim 2, further comprising a baseband memory configured to store, for each of the N antennas, complex transmit antenna weights for a subset of the K frequency sub-bands or sub-carriers.]

**[4.** The device of claim 3, wherein the baseband processor and the stored subset of complex transmit antenna N and generate therefrom the complete set of antenna weights for all of the K frequency sub-bands or sub-carriers using interpolation techniques.]

**[5.** The device of claim 1, wherein the receive weight vector, the transmit weight vector and the baseband signal of the are applied to each of K frequency sub-bands of the baseband signal that correspond to sub-carriers of a multi-carrier baseband signal or synthesized frequency sub-bands of a single carrier baseband signal.]

*6. A wireless communication device comprising:*

*a plurality of N antennas;*

*a processor; and*

*a transmitter operatively coupled to the plurality of N antennas and the processor;*

*wherein the processor is configured to determine a total transmit power and to produce at least one multi-carrier signal;*

*wherein the processor is further configured to produce a weight for each of the plurality of N antennas;*

*wherein the transmitter and the processor are configured to apply a power to each of the plurality of N antennas, for the at least one multi-carrier signal, equal to the total transmit power divided by N; and*



## 13

wherein the transmitter and the plurality of  $N$  antennas, using the applied powers, are configured to transmit the at least one multi-carrier signal.

7. The wireless communication device of claim 6, wherein an amplifier, operatively coupled to each of the antennas, is configured to amplify a signal. 5

8. The wireless communication device of claim 6, wherein the at least one multi-carrier signal is an orthogonal frequency division multiplex signal.

9. The wireless communication device of claim 6, wherein the at least one multi-carrier signal has a plurality of  $K$  subcarriers; and wherein a power applied to each of the  $K$  subcarriers per antenna is equal to the total transmit power divided by  $KN$ . 10

10. The wireless communication device of claim 6, wherein the processor is further configured to weight the at least one multi-carrier signal for each of the plurality of  $N$  antennas per the produced weight. 15

11. The wireless communication device of claim 6, wherein each weight varies with a sub-band.

12. The wireless communication device of claim 6, wherein the at least one multi-carrier signal is transmitted on an uplink channel. 20

13. The wireless communication device of claim 6, wherein the processor is further configured to scale the total transmit power. 25

14. The wireless communication device of claim 6, wherein the processor is further configured to filter the at least one multi-carrier signal.

15. A method comprising:  
determining, by a wireless communication device, a total transmit power; 30  
producing, by the wireless communication device, at least one multi-carrier signal;

## 14

producing, by the wireless communication device, a weight for each of a plurality of  $N$  antennas;

applying, by the wireless communication device, a power to each of the plurality of  $N$  antennas, for the at least one multi-carrier signal, equal to the total transmit power divided by  $N$ ; and

transmitting, by the wireless communication device, the at least one multi-carrier signal using the applied powers.

16. The method of claim 15, further comprising:  
for each antenna, amplifying a signal, by an amplifier coupled to that antenna.

17. The method of claim 15, wherein the at least one multi-carrier signal is an orthogonal frequency division multiplex signal.

18. The method of claim 15, wherein the at least one multi-carrier signal has a plurality of  $K$  subcarriers; and wherein a power applied to each of the  $K$  subcarriers per antenna is equal to the total transmit power divided by  $KN$ .

19. The method of claim 15, further comprising:  
weighting, by the wireless communication device, the at least one multi-carrier signal for each of the plurality of  $N$  antennas per the produced weight.

20. The method of claim 15, wherein each weight varies with a sub-band.

21. The method of claim 15, wherein the at least one multi-carrier signal is transmitted on an uplink channel.

22. The method of claim 15, further comprising:  
scaling, by the wireless communication device, the total transmit power.

23. The method of claim 15, further comprising:  
filtering, by the wireless communication device, the at least one multi-carrier signal.

\* \* \* \* \*