

US00RE47667E

(19) **United States**
(12) **Reissued Patent**
De Sousa et al.

(10) **Patent Number:** **US RE47,667 E**
(45) **Date of Reissued Patent:** **Oct. 29, 2019**

(54) **GARMENT AND BRASSIERE ACCESSORY**
(71) Applicants: **Michelle E. De Sousa**, Naples, FL
(US); **Jose De Jesus De Sousa**, Naples,
FL (US)
(72) Inventors: **Michelle E. De Sousa**, Naples, FL
(US); **Jose De Jesus De Sousa**, Naples,
FL (US)

(56) **References Cited**
U.S. PATENT DOCUMENTS
58,673 A 10/1866 Pinner
147,264 A 2/1874 Hodgkins
(Continued)

(21) Appl. No.: **14/248,869**
(22) Filed: **Apr. 9, 2014**

FOREIGN PATENT DOCUMENTS
JP 2008-156783 10/2008
KR 1998-059442 10/1998
(Continued)

Related U.S. Patent Documents

Reissue of:
(64) Patent No.: **8,152,591**
Issued: **Apr. 10, 2012**
Appl. No.: **13/095,124**
Filed: **Apr. 27, 2011**

U.S. Applications:
(63) Continuation of application No. 12/778,212, filed on
May 12, 2010, now Pat. No. 8,257,139, which is a
(Continued)

(51) **Int. Cl.**
A41C 3/00 (2006.01)
A41C 3/08 (2006.01)
(Continued)

(52) **U.S. Cl.**
CPC *A41C 3/08* (2013.01); *A41B 9/06*
(2013.01); *A41D 27/08* (2013.01)

(58) **Field of Classification Search**
CPC *A41C 3/08*; *A41C 3/00*; *A41B 9/06*; *A41B*
9/08; *A41D 27/08*; *A41D 27/12*
USPC 450/1, 30-35, 63, 70-74, 77-80, 82, 86,
450/88, 87, 92, 93; 2/912, 913, 69,
2/73-75, 90, 96, 102-106, 109, 110, 113,
(Continued)

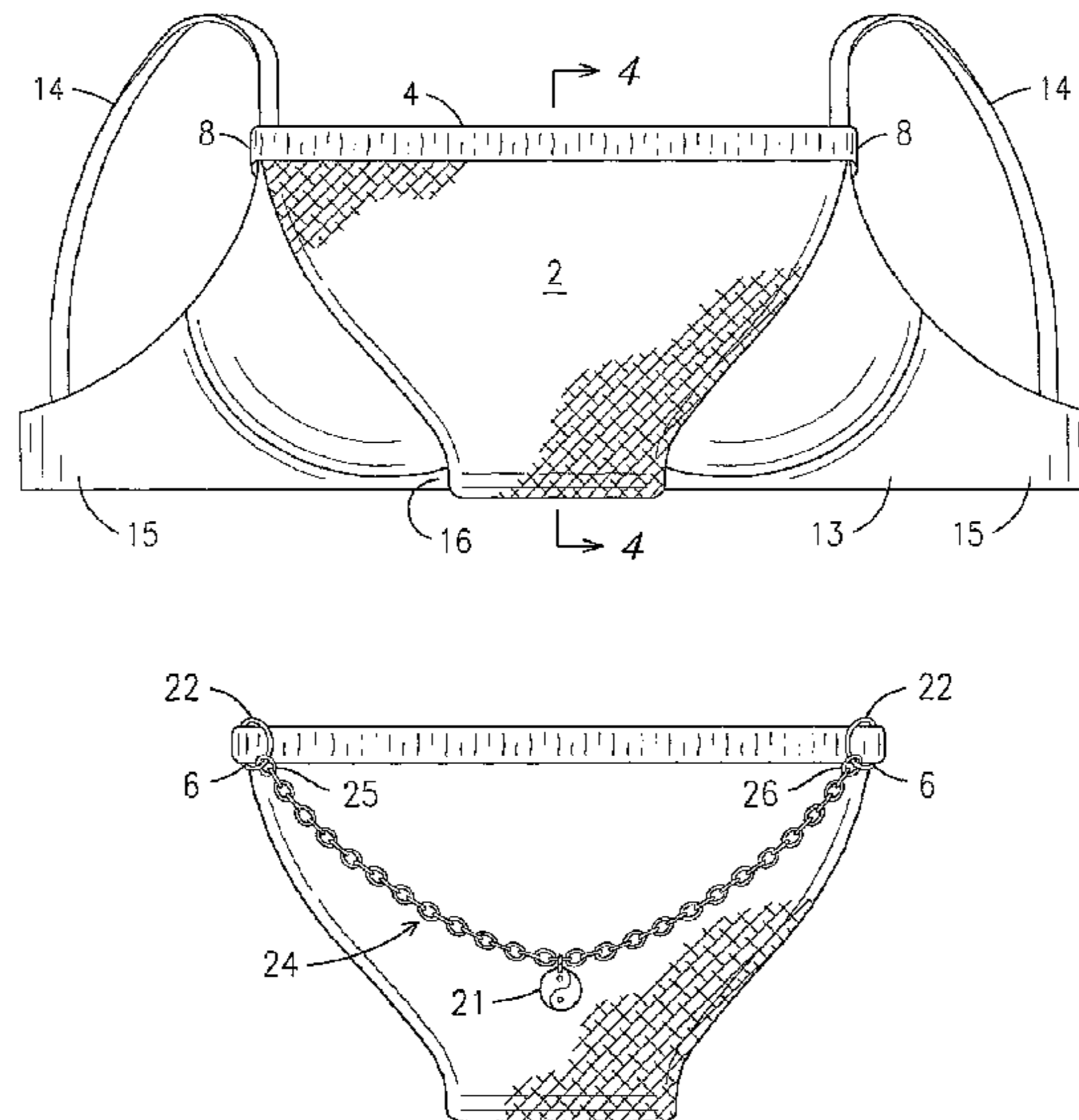
OTHER PUBLICATIONS

Cover of SkyMall Catalog; Holiday 2013; www.SkyMall.com; 2
pgs.

Primary Examiner — Patricia L Engle

(57) **ABSTRACT**
A garment and brassiere accessory that is substantially
triangular in shape having attachment straps extending out-
ward from upper corners of the undergarment that may be
looped around shoulder straps of a brassiere. In addition, a
lower corner may be looped around a center portion of the
brassiere. An upper band of preferably elastomeric material
located along an upper edge of the undergarment keeps the
undergarment securely against a woman's chest while being
worn. The undergarment is preferably constructed from two
layers of material, an outer layer and an inner layer so that
the outer layer hides any wrinkles or indentations caused by
the stress of the lower corner pulling on the inner layer while
the undergarment is being worn. Additional features include
extension straps that allow a user to adapt the undergarment
to a larger chest and/or brassiere size or to wear the
undergarment without a brassiere and detachable jewelry.

17 Claims, 4 Drawing Sheets



Related U.S. Application Data

continuation-in-part of application No. 12/586,622, filed on Sep. 25, 2009, now Pat. No. 8,062,093, which is a continuation-in-part of application No. 11/855,131, filed on Sep. 13, 2007, now abandoned.

(51) **Int. Cl.**

A41B 9/06 (2006.01)

A41D 27/08 (2006.01)

(58) **Field of Classification Search**

USPC 2/114, 118, 67, 119, 122, 129, 133, 46, 2/50-54

See application file for complete search history.

(56)

References Cited

U.S. PATENT DOCUMENTS

188,015	A	3/1877	Holmes	
239,295	A	3/1881	Bortree	
D27,810	S	11/1897	Guinzburg	
614,650	A	11/1898	Fooks	
626,589	A *	6/1899	Bucher	450/28
671,269	A	4/1901	Dufour	
731,759	A *	6/1903	Dieter	2/48
770,752	A *	9/1904	Hull	2/54
1,344,004	A	6/1920	Platt	
1,395,564	A *	11/1921	Enriquez	A41D 27/18 2/101
1,406,225	A *	2/1922	Rathsmill	A41B 9/12 2/211
1,645,995	A *	10/1927	McCarthy	2/92
1,661,350	A	3/1928	Schmutzler	
1,683,545	A *	9/1928	Harris	63/1.15
1,749,333	A	3/1930	Fridolph	
2,268,781	A *	1/1942	Slotoroff	A41D 7/00 450/32
2,278,332	A	9/1942	Rasch	
2,385,877	A	10/1945	Morgan	
2,468,841	A *	5/1949	Siegel	A41D 13/0518 2/463
2,472,606	A *	6/1949	Michaelson	450/86
2,543,361	A	2/1951	Garner	
2,661,471	A	12/1953	Neumayer	
2,707,786	A *	5/1955	Stoner	2/119
3,064,265	A *	11/1962	Bridgewaters	2/74
3,323,139	A	6/1967	Champagne et al.	
4,449,252	A *	5/1984	Sullinger	A41D 13/0015 2/46
D277,808	S	3/1985	Nichols	

4,837,859	A *	6/1989	Hamberg	A41D 13/0537 2/1
4,955,846	A	9/1990	Greenberg	
4,995,846	A *	2/1991	Mariol	446/376
5,208,917	A *	5/1993	Acenbrack	A41D 23/00 2/113
5,447,462	A	9/1995	Smith et al.	
5,807,160	A	9/1998	Wehmeyer	
5,832,535	A	11/1998	Davis	
D425,823	S *	5/2000	Farfan	D11/213
6,058,507	A	5/2000	Klimenko	
D426,790	S *	6/2000	Farfan	D11/213
6,205,585	B1 *	3/2001	Capparelli	2/106
6,282,720	B1	9/2001	Mayer	
6,345,396	B1 *	2/2002	Schuler	A41D 13/0537 2/465
6,550,067	B2 *	4/2003	Force	2/104
6,935,921	B1 *	8/2005	Eudenbach et al.	450/54
D553,827	S *	10/2007	Mehes	D2/717
7,409,728	B2	8/2008	Harry	
7,520,794	B1 *	4/2009	Johnson	450/1
7,780,502	B2	8/2010	Calamari et al.	
8,096,851	B2	1/2012	Fine	
8,221,186	B2	7/2012	Policaro et al.	
2004/0007018	A1 *	1/2004	Detsis	A41C 3/00 63/21
2005/0150030	A1 *	7/2005	Davis	A41D 13/0537 2/69
2006/0277648	A1 *	12/2006	Harry	2/69
2007/0281585	A1 *	12/2007	Calamari et al.	450/1
2009/0069766	A1	3/2009	Bannister	
2009/0093189	A1	4/2009	Frey	
2009/0217439	A1	9/2009	Ross	
2010/0107302	A1 *	5/2010	Ross	2/113
2010/0178846	A1	7/2010	Brooker	
2010/0203803	A1	7/2010	Murphy et al.	
2010/0223713	A1	9/2010	De Sousa et al.	
2011/0265240	A1	11/2011	Frey	
2012/0144552	A1 *	6/2012	Ross	2/113
2012/0220191	A1	8/2012	Murphy et al.	

FOREIGN PATENT DOCUMENTS

KR	20-0297748	11/2002
KR	20-0382325	4/2005
KR	20-0442771	12/2008
KR	10-2009-0012902	2/2009
WO	2000/01258 A2	1/2000
WO	2008/109939 A1	9/2008
WO	WO 2009125939 A3 *	10/2009

* cited by examiner

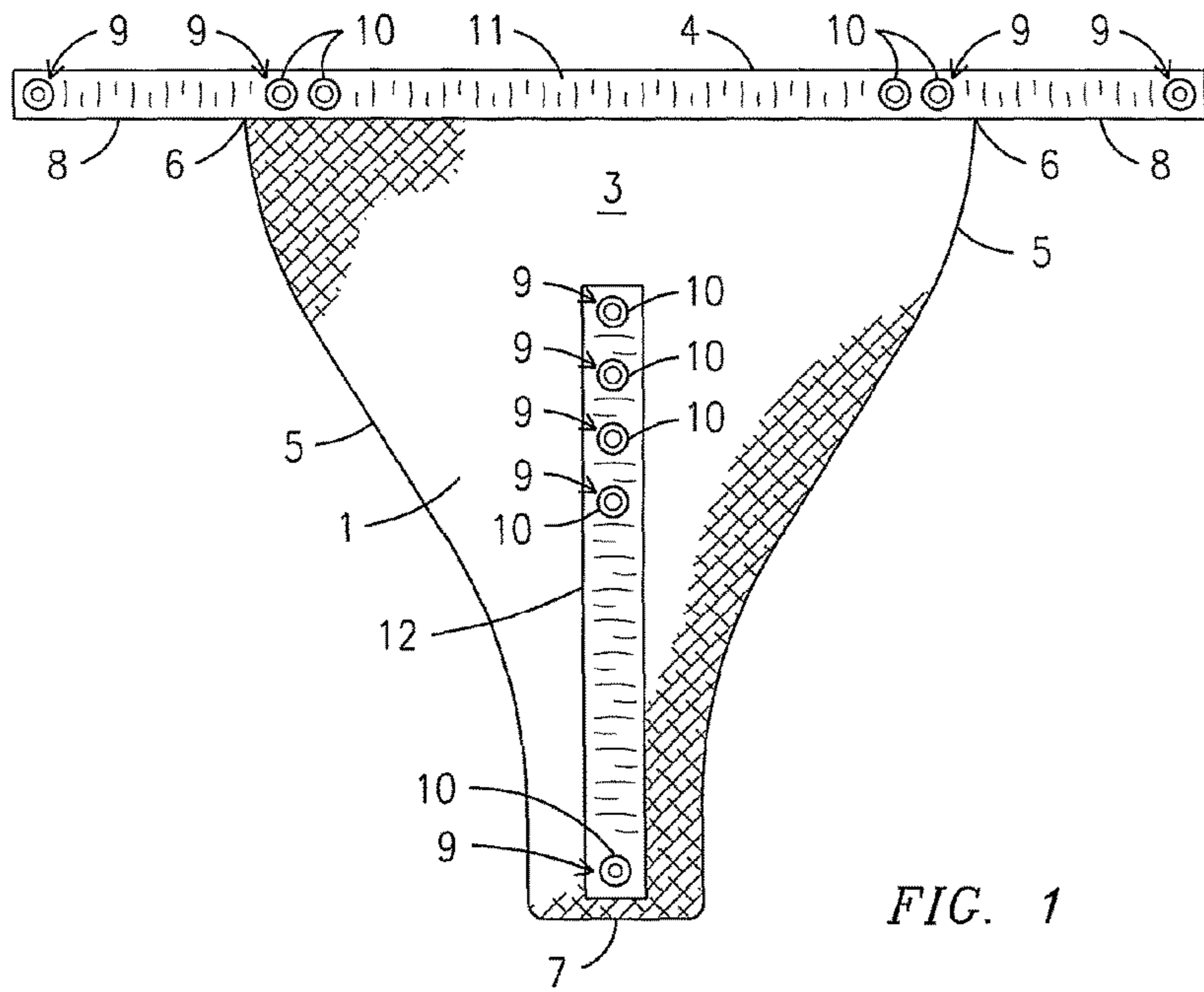


FIG. 1

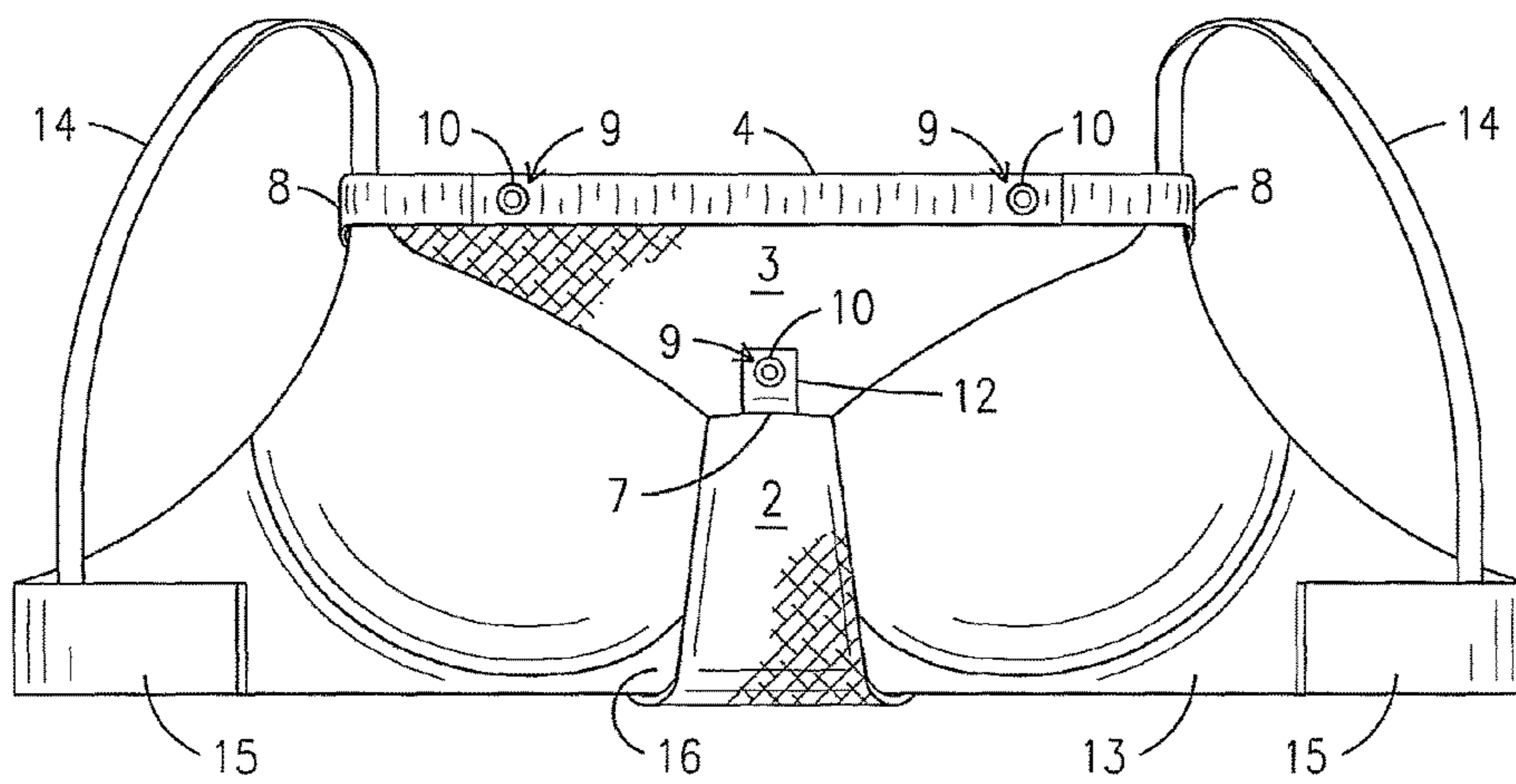


FIG. 2

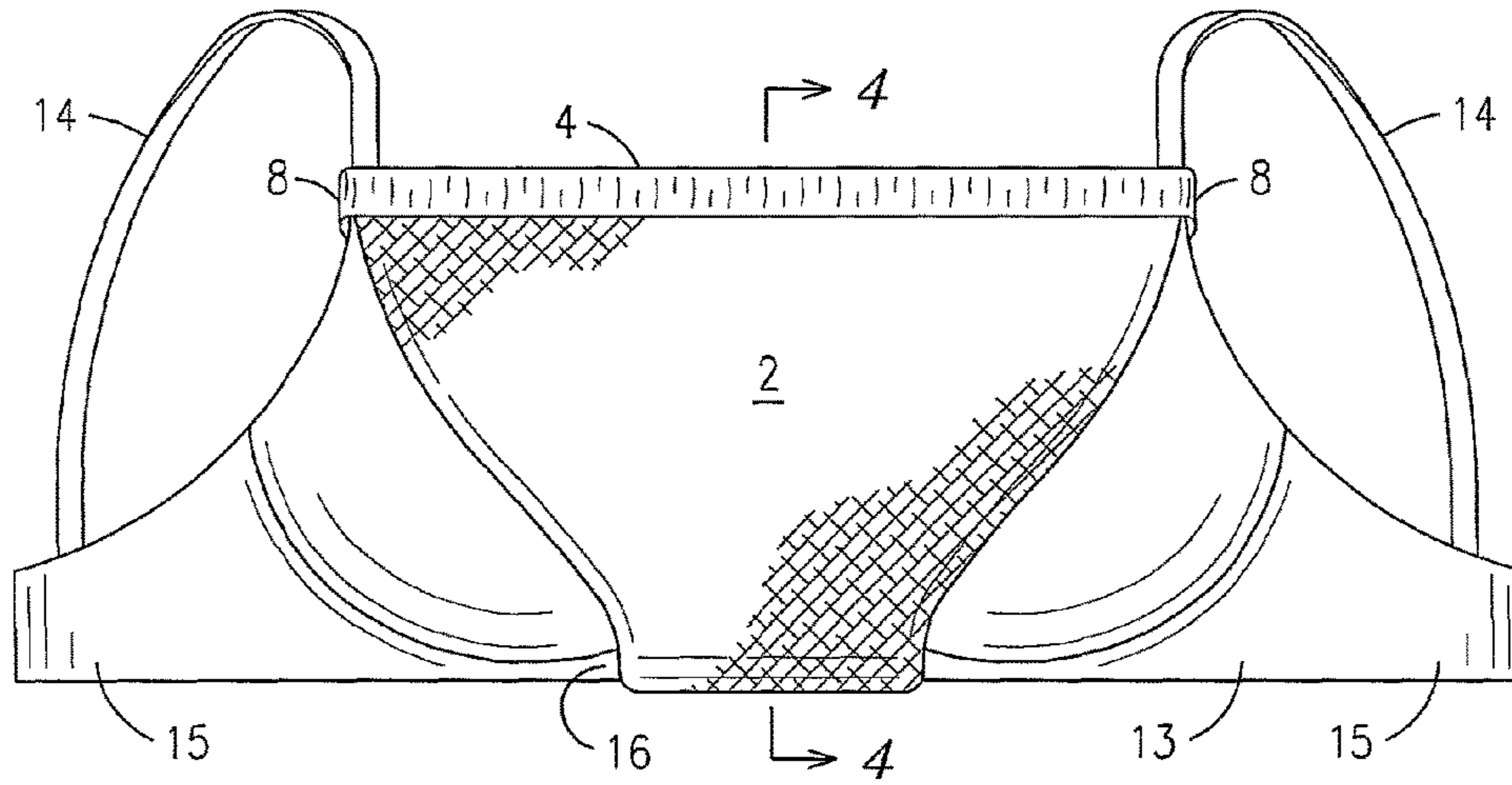


FIG. 3

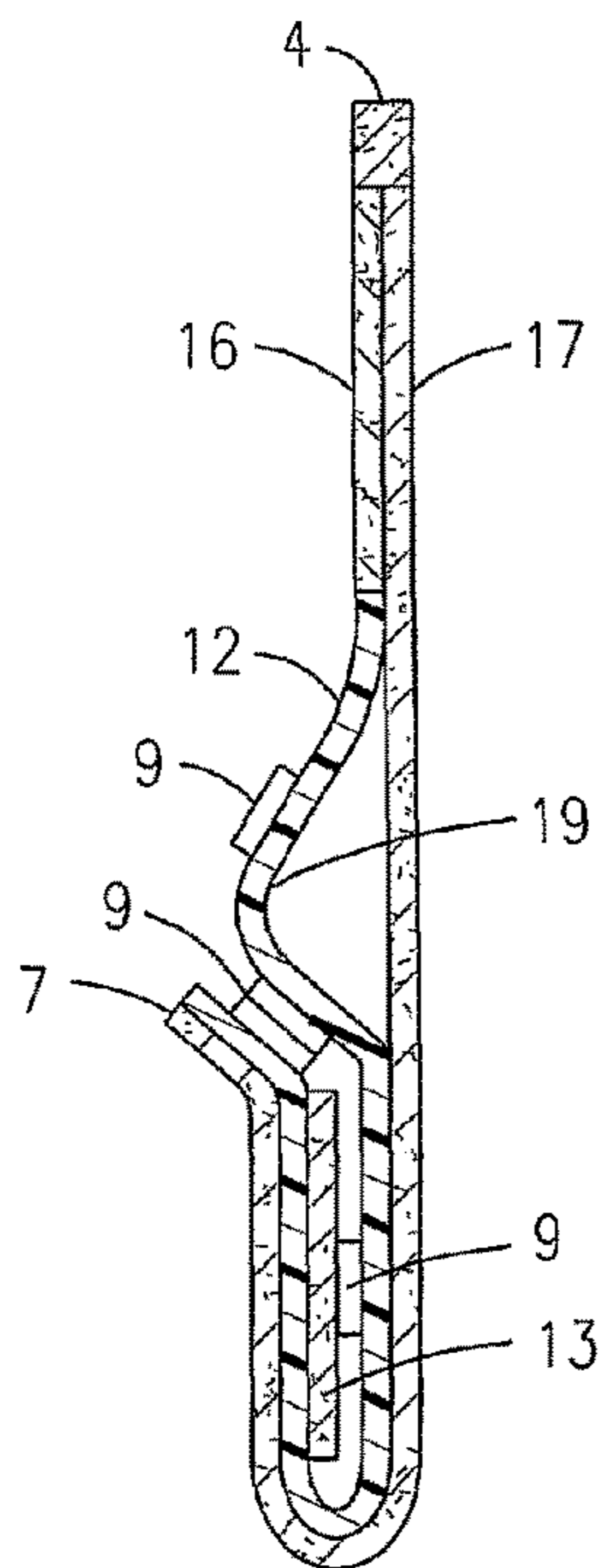


FIG. 4

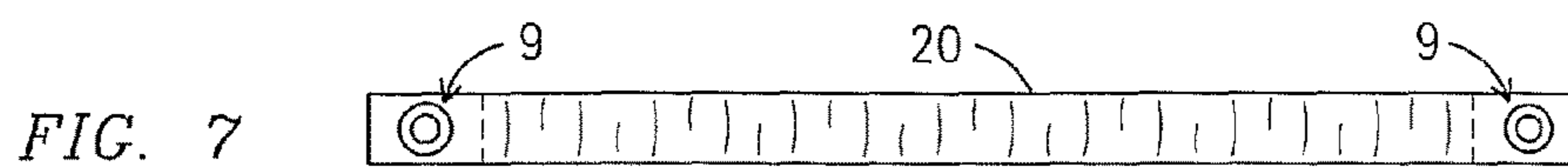


FIG. 7

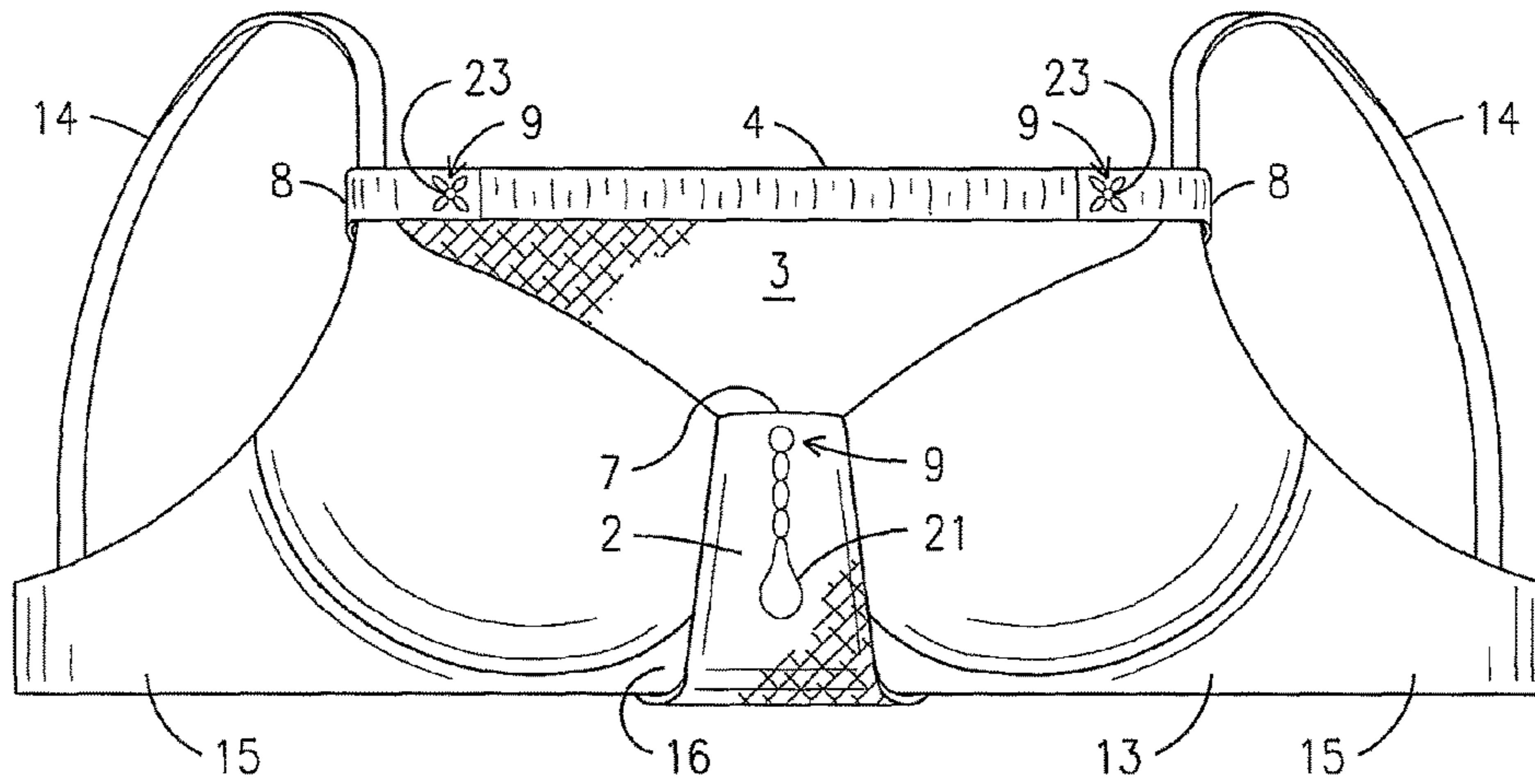


FIG. 5

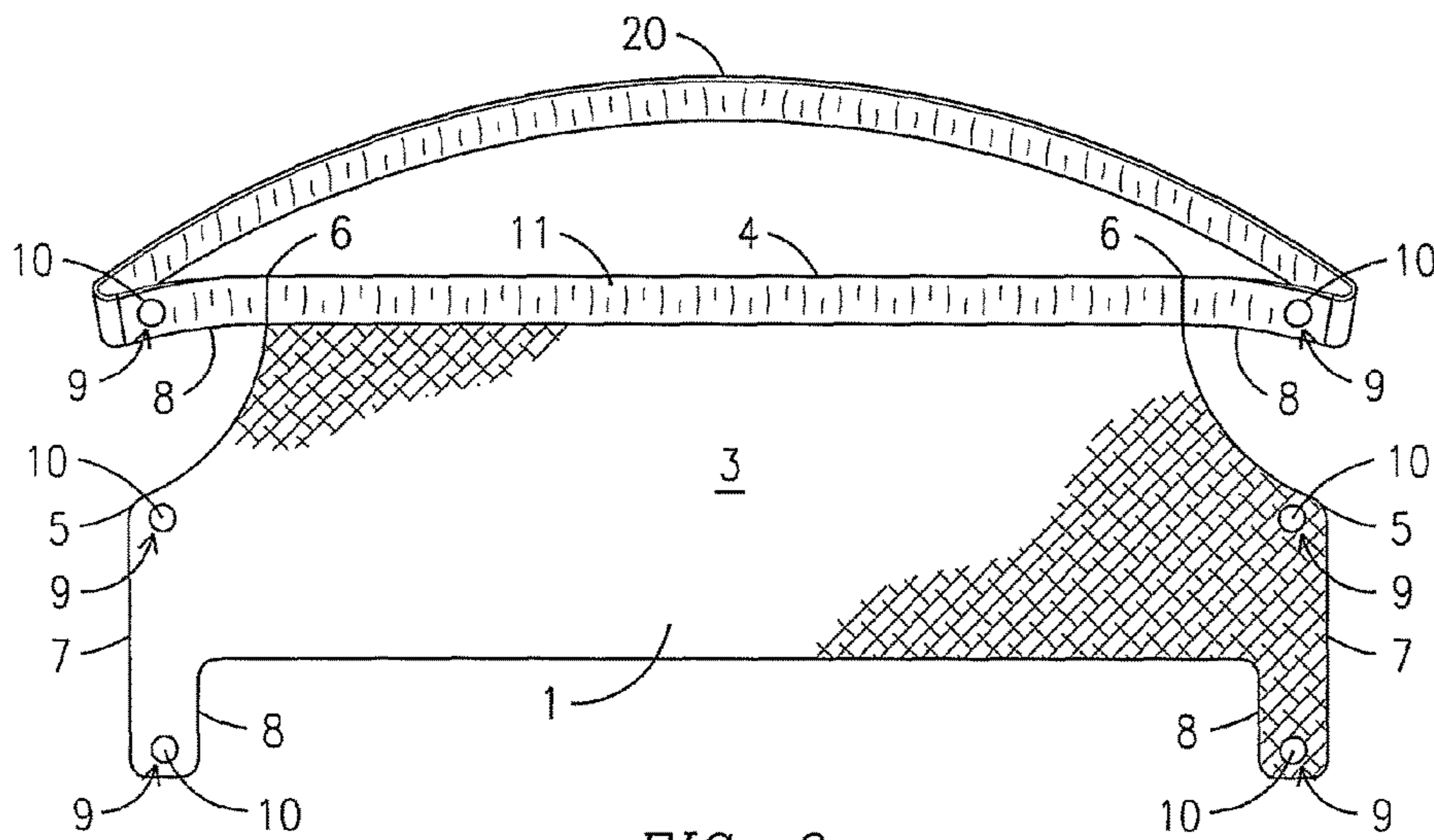


FIG. 6

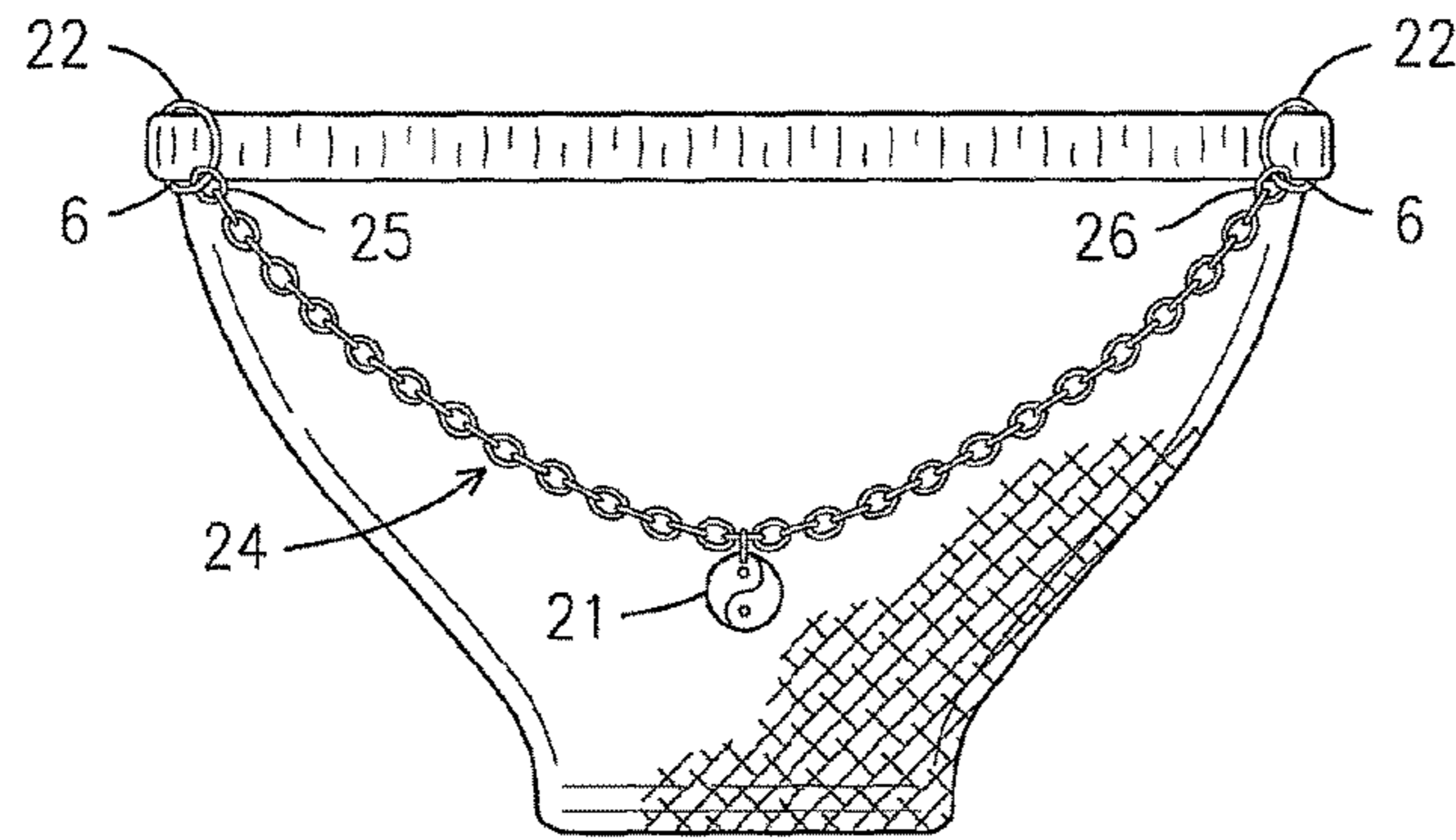


FIG. 8

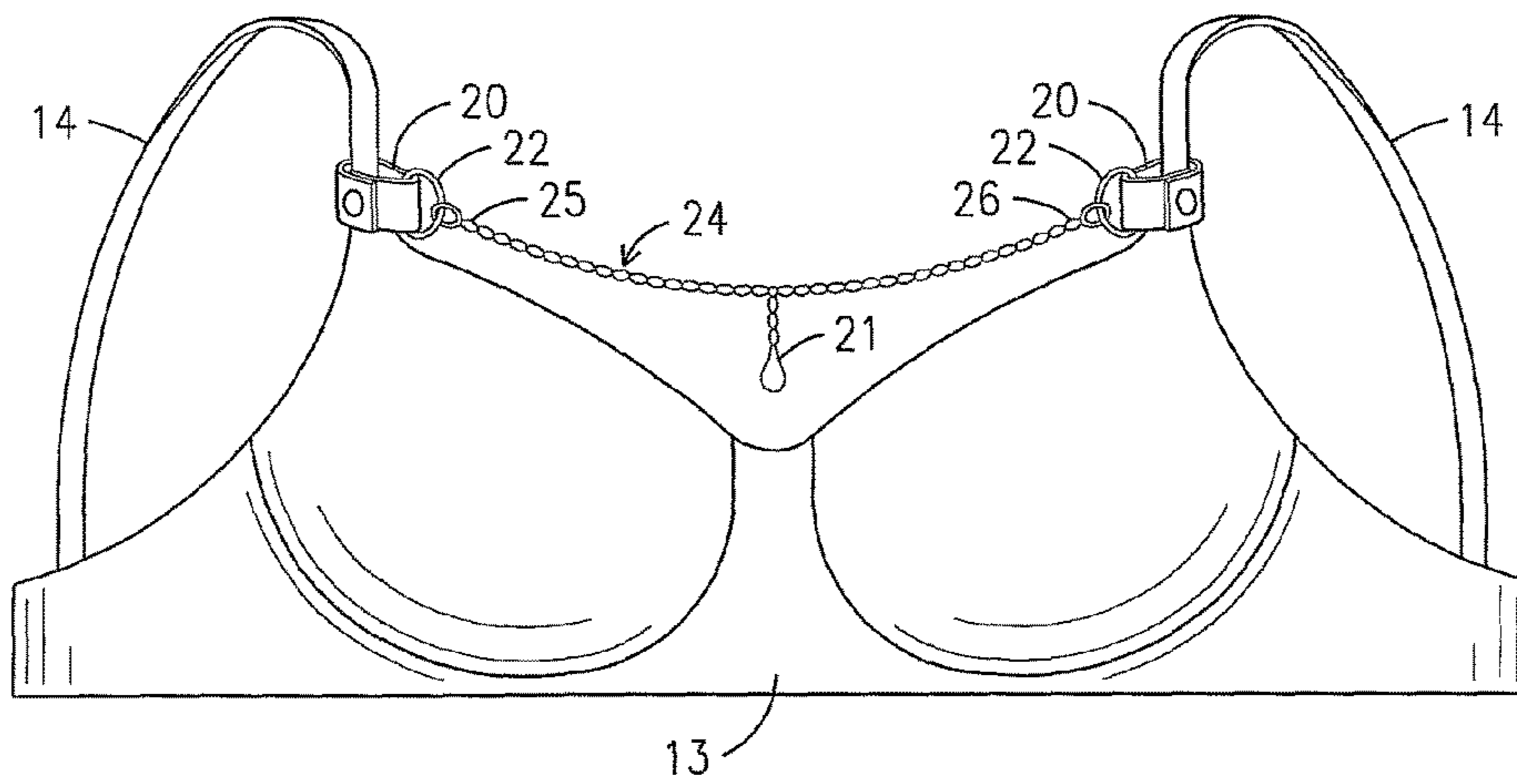


FIG. 9

GARMENT AND BRASSIERE ACCESSORY

Matter enclosed in heavy brackets [] appears in the original patent but forms no part of this reissue specification; matter printed in italics indicates the additions made by reissue; a claim printed with strikethrough indicates that the claim was canceled, disclaimed, or held invalid by a prior post-patent action or proceeding.

CROSS REFERENCE TO RELATED APPLICATION

This is a *reissue application of U.S. Pat. No. 8,152,591, issued on Apr. 10, 2012, based on U.S. patent application Ser. No. 13/095,124, filed on Apr. 27, 2011, which was a continuation application of U.S. patent application Ser. No. 12/778,212, filed on May 12, 2010, now U.S. Pat. No. 8,257,139, which was a continuation-in-part application of U.S. patent application Ser. No. 12/586,622, filed on Sep. 25, 2009, now U.S. Pat. No. 8,062,093, which was a continuation-in-part application of U.S. patent application Ser. No. 11/855,131, filed on Sep. 13, 2007. The patent applications identified above are incorporated hereby in their entirety to provide continuity of disclosure.*

BACKGROUND OF THE INVENTION

This invention relates to women's garments, undergarments and brassieres, more particularly, a device that attaches to a brassiere and simulates a camisole or tank top and covers a user's chest area and/or cleavage, thereby allowing the user to wear short-cut tops and dresses in formal or any other situations that require a modest attire.

There are many environments, such as work, school, church, etc., where it is considered inappropriate for women to wear low short-cut tops or dresses that reveal too much cleavage. Many women own dresses and/or tops that are formal, but low cut. Therefore a woman can be very limited in her options with regard to clothes for work and so forth. Past attempts have been made to develop garments that attach to brassieres or prevent the low cut tops or dresses to cover exposed cleavage.

However, many of these garments do not attach securely to brassieres to ensure that the garments will not come loose and also do not fit snugly against a woman's chest. A further problem with past garments is that they are not adjustable and thus are not adaptable to different chest sizes and/or different sizes of brassieres. An even further problem with past garments is that some use securing means, such as adhesives, strings, bows, etc., to attach the garments to the brassiere or to the outer garment. These past securing means have been prone to failure due to the fact that securing means, such as adhesives, do not always adhere and do not allow a user to re-use the garment without applying new adhesive. Further, securing means, such as bows, show through the outer garment, thereby making it obvious that a woman is wearing a cleavage covering device that simulates a tank top or camisole. An even further problem with past devices is that they do not attach to strapless brassieres.

Therefore, a need exists for an undergarment that securely attaches to a wearers brassiere, is adjustable to a woman's chest and/or bra size, gives the appearance of being an actual undergarment such as a tank-top, provides a re-usable securing means and can be worn even without a brassiere.

The relevant prior art includes the following references:

Pat. No. (U.S. unless stated otherwise)	Inventor	Issue/Publication Date
2007/0281585	Calamari et al.	Dec. 6, 2007
4,955,846	Greenberg	Sep. 11, 1990

SUMMARY OF THE INVENTION

The primary object of the present invention are to provide a garment and brassiere accessory that securely attaches to a wearer's brassiere.

Another object of the present invention is to provide a garment and brassiere accessory that is adjustable to a woman's chest and/or bra size.

An even further object of the present invention is to provide a garment and brassiere accessory that gives the appearance of being an actual undergarment, such as a tank top.

Another object of the present invention is to provide a garment and brassiere accessory that provides a re-usable securing means.

An even further object of the present invention is to provide a garment and brassiere accessory that provides a securing means that is not visible through an outer garment.

Another object of the present invention is to provide a garment and brassiere accessory that fits securely against a woman's chest.

An even further object of the present invention is to provide a garment and brassiere accessory that will attach to a strapless brassiere.

An additional object of the present invention is to provide a garment and brassiere accessory that allows attachment of jewelry to the garment.

An even further object of the present invention is to provide a garment and brassiere accessory that can be instantly taken on or off.

An additional object of the present invention is to provide a garment and brassiere accessory that can be worn without a brassiere.

The present invention fulfills the above and other objects by providing a garment and brassiere accessory that is substantially triangular in shape having a front surface, a rear surface, an upper edge, side edges, upper corners and a lower corner. Attachment straps extend outward from the upper corners. The attachment straps may be looped around the shoulder straps of a brassiere or in the case of a strapless brassiere, around the side straps of the brassiere. The attachment straps have securing means, such as snaps, buttons, hook and loop fastener, etc., located thereon. After looping the attachment straps around the shoulder straps of a brassiere, the securing means located on the attachment straps are secured to a corresponding securing means located along the upper edge of the garment and brassiere accessory. There may be a plurality of securing means located along the upper edge to allow a user to adjust the length of the loops made by the attachment straps and, thus, the width of the garment and brassiere accessory. A securing means is also located on the lower corner of the device. The lower corner may be looped around the center portion of a brassiere. After looping the lower corner around the center portion of a brassiere, the securing means located on the lower corner is secured to

a corresponding securing means located on the rear side of the garment and brassiere accessory.

There may be a plurality of securing means located on the rear side of the garment and brassiere accessory to allow a user to adjust the length of the loop made by the lower corner and, thus, the height of the garment and brassiere accessory.

An upper band of elastomeric material is located along the upper edge of the garment and brassiere accessory. The elastomeric material keeps the garment and brassiere accessory securely against a woman's chest while being worn. The garment and brassiere accessory is preferably constructed from two layers of material, an outer layer and an inner layer. An advantage of having multiple layers of material is that the outer layer hides the securing means as well as any wrinkles or indentations caused by the stress of the lower corner pulling on the inner layer while the garment and brassiere accessory is being worn.

Additional features of the present invention include extension straps that attach to the attachment straps and allow a user to adapt the garment and brassiere accessory to a larger chest and/or brassiere size. The extension straps may also be used so that a woman can still wear the garment and brassiere accessory without a brassiere. For example, a long extension strap that goes around the woman's back may be attached to the attachment straps of the garment and brassiere accessory. The garment and brassiere accessory may also include attachment means for attaching jewelry to the garment. The above and other objects, features and advantages of the present invention should become even more readily apparent to those skilled in the art upon a reading of the following detailed description in conjunction with the drawings wherein there is shown and described illustrative embodiments of the invention.

BRIEF DESCRIPTION OF THE DRAWINGS

In the following detailed description, reference will be made to the attached drawings in which:

FIG. 1 is a rear view of a garment and brassiere accessory of the present invention;

FIG. 2 is a rear view of a garment and brassiere accessory of the present invention attached to a brassiere;

FIG. 3 is a front view of a garment and brassiere accessory of the present invention attached to a brassiere;

FIG. 4 is a side cross sectional view along line 4-4 of FIG. 3 of a garment and brassiere accessory of the present invention attached to a brassiere;

FIG. 5 is a front view of a garment and brassiere accessory of the present invention attached to a bikini top;

FIG. 6 is a front view of a garment and brassiere accessory of the present invention for use with strapless brassieres;

FIG. 7 is a rear view of an extension strap of the present invention;

FIG. 8 is a front view of a garment and brassiere accessory of the present invention having jewelry attached thereto; and

FIG. 9 is a front view of a brassiere having jewelry attached thereto via extension straps of the present invention.

DESCRIPTION OF THE PREFERRED EMBODIMENTS

For purposes of describing the preferred embodiment, the terminology used in reference to the numbered components in the drawings is as follows:

1. body
2. front surface

3. rear surface
4. upper edge
5. side edge
6. upper corner
7. lower corner
8. attachment strap
9. securing means
10. snap
11. upper band
12. lower band
13. brassiere
14. shoulder straps
15. side straps
16. center portion
17. outer layer
18. inner layer
19. indentation
20. extension strap
21. jewelry
22. attachment means
23. bikini top
24. linking means
25. first end
26. second end

With reference to FIG. 1, a rear view of a garment and brassiere accessory of the present invention is shown. The garment and brassiere accessory comprises a body 1 that is substantially triangular in shape. The body 1 comprises a front surface 2 (as shown in FIG. 3), a rear surface 3, an upper edge 4, side edges 5, upper corners 6 and a lower corner 7. Attachment straps 8 extend outward from the upper corners 6. A plurality of securing means 9, such as snaps 10, buttons, hook and loop fasteners, hook and eye fasteners, etc., are located along the upper edge 4 of the garment and brassiere accessory and attachment straps 8. Also, a securing means 9 is also located on the lower corner 7 of the garment and brassiere accessory. In addition, a plurality of securing means 9 are located on the rear surface 3 of the garment and brassiere accessory directly above the lower corner 7. An upper band 11 preferably having elastomeric qualities is located along the upper edge 4 of the garment and brassiere accessory. The upper band 11 keeps the garment and brassiere accessory securely against a woman's chest while being worn. A lower band 12 preferably having elastomeric qualities is located on the rear surface 3 of the garment and brassiere accessory and provides reinforcement for the securing means 9 that are located on the rear surface 3 of the garment and brassiere accessory directly above the lower corner 7.

With reference to FIGS. 2 and 3, a rear view and a front view of a garment and brassiere accessory of the present invention attached to a brassiere 13, respectively, are shown. To secure the garment and brassiere accessory to a brassiere 13, the attachment straps 8 are looped around shoulder straps 14 of the brassiere 13 or in the case of a strapless brassiere, looped around or looped under and over side straps 15 of the brassiere 13. The attachment straps 8 are then secured to the upper edge 4 of the garment and brassiere accessory by attaching the securing means 9 located on the attachment straps 8, which as shown here are snaps 10, to corresponding securing means 9 located along the upper edge 4 of the garment and brassiere accessory. Then the lower corner 7 is looped around a center portion 16 of the brassiere 13. The lower corner 7 is then secured to the rear surface 3 of the garment and brassiere accessory by attaching the securing means 9 located on the lower corner 7 to corresponding

5

securing means 9 located along the rear surface 3 of the garment and brassiere accessory.

With reference to FIG. 4, a side cross sectional view along line 4-4 of FIG. 3 of a garment and brassiere accessory of the present invention attached to a brassiere 13 is shown. The garment and brassiere accessory is preferably constructed from two layers of material, an outer layer 17 and an inner layer 18, both preferably made of a stretchable cloth-like material. An advantage of having an outer layer 17 and an inner layer 18 is that the outer layer 17 hides the securing means 9 as well as any wrinkles or indentations 19 caused by the stress of the lower corner 7 pulling downward on the inner layer 17 while the garment and brassiere accessory is being worn.

With reference to FIG. 5, a front view of a garment and brassiere accessory of the present invention attached to a bikini top 23 is shown. The garment and brassiere accessory is worn with the rear surface 3 facing outward when worn on a bikini top 23. To secure the garment and brassiere accessory to the bikini top 23, the attachment straps 8 are looped around shoulder straps 14 of the bikini top 23. The attachment straps 8 are then secured to the upper edge 4 of the garment and brassiere accessory by attaching the securing means 9 located on the attachment straps 8, which as shown here are decorative snaps 23, to corresponding securing means 9 located along the upper edge 4 of the garment and brassiere accessory. Then the lower corner 7 is looped around a center portion 16 of the bikini top 23. The lower corner 7 is then secured to the rear surface 3 of the garment and brassiere accessory by attaching the securing means 9 located on the lower corner 7 to corresponding securing means 9 located along the rear surface 3 of the garment and brassiere accessory. A decorative piece of jewelry 21 is attached to the securing means 9 located on the lower corner 7.

With reference to FIG. 6, a front view of a garment and brassiere accessory of the present invention for use with strapless brassieres. The garment and brassiere accessory comprises a body 1 that is substantially rectangular in shape. The body 1 comprises a front surface 2, a rear surface 3, an upper edge 4, side edges 5, upper corners 6 and lower corners 7. Attachment straps 8 extend outward from the upper corners 6. Securing means 9, such as snaps 10, buttons, hook and loop fasteners, hook and eye fasteners, etc., are located on the attachment straps 8. The attachment straps 8 are used in conjunction with an extension strap 20 (as shown further in FIG. 7) that allows a user to secure the upper edge 4 of the garment and brassiere accessory around the user's back. Also, attachment straps 8 having securing means 9 extend downward from the lower corners 7 of the garment and brassiere accessory. In addition, securing means 9 are located on the rear surface 3 of the garment directly above the lower corners 7. The attachment straps 8 located on the lower corners 7 may be looped baround or looped under and over side straps 15 of the brassiere 13. An upper band 11 preferably having elastomeric qualities is located along the upper edge 4 of the garment and brassiere accessory. The upper band 11 keeps the garment and brassiere accessory securely against a woman's chest while being worn.

With reference to FIG. 7, a rear view of an extension strap 20 of the present invention 20 is shown. The extension strap 20 can be made in various lengths or sizes. The extension strap 20 has securing means 9 located on opposite ends that attach to the securing means 9 located on the garment and brassiere accessory allow a user to adapt the garment and brassiere accessory to a larger chest and/or brassiere 13 size.

6

Extension straps 20 may also be used so that a woman can still wear the garment and brassiere accessory without a brassiere 13. For example, a long extension strap 20 may be attached to the attachment straps 8 of the garment and brassiere accessory and be worn around the back of a user.

With reference to FIG. 8, a front view of a garment and brassiere accessory of the present invention having jewelry 21 attached thereto is shown. The garment and brassiere accessory may have an attachment means 22, such as loops, hooks, clasps, etc., that allow a user to attach a piece of jewelry 21 or a plurality of linking means 24, such as a rope, ribbon, wire, chain, pearls, beads, etc., having a first end 25 and a second end 26, to the garment and brassiere accessory or directly to a brassiere. The attachment means 22 are preferably located near the upper corners 6 of the garment and brassiere accessory.

Finally with reference to FIG. 9, a front view of a brassiere 13 having jewelry 21 attached thereto via extension straps 20 of the present invention is shown. Jewelry 21 or a plurality of linking means 24, such as a rope, ribbon, wire, chain, pearls, beads, etc., having a first end 25 and a second end 26, is attached to the brassiere 13 by looping the extension straps 20 around the shoulder straps 14 of the brassiere 13 and through the an attachment means 22, which as shown here are rings.

It is to be understood that while a preferred embodiment of the invention is illustrated, it is not to be limited to the specific form or arrangement of parts herein described and shown. It will be apparent to those skilled in the art that various changes may be made without departing from the scope of the invention and the invention is not be considered limited to what is shown and described in the specification and drawings.

What is claimed is:

1. A brassiere garment accessory comprising:

a body having a front surface, a rear surface, an upper edge, at least two side edges, and at least two upper corners at distal ends of the upper edge and at least one lower corner *configured to be proximate to a center portion of the brassiere when in use*; at least one attachment strap extending from each of the at least two upper corners, the at least one attachment strap having a proximal portion coupled to the body and a distal portion extending away from the body along the upper edge; [and] at least one fastener located on the distal portion of the at least one attachment strap that facilitates coupling of the at least one fastener located on the distal portion of the at least one attachment strap to at least one [fastener] *of a plurality of fasteners* located on at least one of the proximal portion of the at least one attachment strap and the body of the brassiere garment; *and an attachment portion for attaching a piece of jewelry to the brassiere garment* accessory.

2. A brassiere garment accessory of claim 1 further comprising: an upper band located along the upper edge of the body.

3. A brassiere garment accessory of claim 2 wherein: said upper band has elastomeric qualities.

4. A brassiere garment accessory of claim 1 further comprising: a lower band located on the rear surface of the body.

5. A brassiere garment accessory of claim [2] 4 wherein: said lower band has elastomeric qualities.

6. A brassiere garment accessory of claim 1 wherein: the body further comprises at least one outer layer and at least one inner layer.

7

7. A brassiere garment accessory of claim 1 further comprising: an extension strap for extending the length of the at least one attachment strap.

[8. A brassiere garment accessory of claim 1 further comprising: an attachment portion for attaching a piece of jewelry to the garment and brassiere accessory.]

[9. A brassiere garment accessory of claim 1 wherein: the body further comprises at least one lower corner.]

10. A brassiere garment accessory of claim [9] further comprising: at least one fastener located on the at least one lower corner.

11. A brassiere garment accessory comprising: a body having a front surface, a rear surface, an upper edge, at least two side edges, [and] at least two upper corners at distal ends of the upper edge, *and at least one lower corner configured to be proximate to a center portion of the brassiere when in use*; at least one attachment strap extending from each of the at least two upper corners, the attachment strap having a proximal portion coupled to the body and a distal portion extending away from the body along the upper edge; [and] at least one fastener located on the distal portion of the attachment strap that facilitates coupling of the at least one fastener located on the distal portion of the at least one attachment strap to at least one fastener located on at least one of the proximal portion of the at least one attachment strap and the body of the brassiere garment accessory; wherein at least a portion of the body comprises at least one inner layer and at least one outer layer; and the upper edge has elastomeric qualities; *and an attachment portion for attaching a piece of jewelry to the brassiere garment accessory.*

12. A brassiere garment accessory of claim 11 further comprising: an upper band located along the upper edge of the body.

13. A brassiere garment accessory of claim 12 wherein: said upper band has elastomeric qualities.

14. A brassiere garment accessory of claim 11 further comprising: a lower band located on the rear surface of the body.

8

15. A brassiere garment accessory of claim 14 wherein: said lower band has elastomeric qualities.

16. A brassiere garment accessory of claim 11 further comprising: an extension strap for extending the length of the at least one attachment strap.

[17. A brassiere garment accessory of claim 11 further comprising: an attachment portion for attaching a piece of jewelry to the garment and brassiere accessory.]

18. A brassiere garment accessory comprising: a body having a front surface, a rear surface, an upper edge, at least two side edges, and at least two upper corners at distal ends of the upper edge and at least one lower corner [and] *configured to be proximate to a center portion of the brassiere when in use*; at least one attachment strap extending from each of the at least two side edges, the attachment strap having a proximal portion coupled to the body and a distal portion extending away from the body [along] *proximate to the upper edge* the at least one attachment strap further having at least one fastener located on a distal portion of the at least one attachment strap that facilitates coupling of the at least one fastener located on the distal portion of the at least one attachment strap to at least one [fastener] *of a plurality of fasteners* located on at least one of a proximal portion of the at least one attachment strap and the body of the brassiere garment accessory; *and an attachment portion for attaching a piece of jewelry to the brassiere garment accessory.*

19. A brassiere garment accessory of claim 18, wherein at least a portion of the body comprises at least one inner layer and at least one outer layer.

[20. A brassiere garment accessory of claim 18, further comprising a plurality of fasteners located on the proximal portion of the attachment strap and at least one fastener located on the distal portion of the attachment strap.]

21. A brassiere garment accessory of claim 18 further comprising: *an upper band located along the upper edge of the body.*

* * * * *