



US00RE47645E

(19) **United States**  
(12) **Reissued Patent**  
**Peron**

(10) **Patent Number: US RE47,645 E**  
(45) **Date of Reissued Patent: Oct. 15, 2019**

- (54) **MEDICAL DRESSING**
- (71) Applicant: **Smith & Nephew PLC**, Watford, Hertfordshire (GB)
- (72) Inventor: **Yannick Louis Peron**, East Yorkshire (GB)
- (73) Assignee: **Smith & Nephew PLC**, Watford (GB)
- (21) Appl. No.: **29/639,290**
- (22) Filed: **Mar. 5, 2018**

3,342,183	A *	9/1967	Edenbaum	604/307
D267,510	S *	1/1983	Golub	D24/189
4,564,010	A *	1/1986	Coughlan et al.	604/307
4,587,146	A *	5/1986	Anhauser et al.	428/42.2
4,627,429	A *	12/1986	Tsuk	604/307
D292,826	S *	11/1987	Sproles	D24/189
4,808,172	A *	2/1989	Murata	604/306
4,917,112	A *	4/1990	Kalt	A61F 13/023 128/888
5,052,381	A *	10/1991	Gilbert et al.	602/52
5,056,510	A *	10/1991	Gilman	602/52
5,176,663	A	1/1993	Svedman et al.	
5,266,371	A *	11/1993	Sugii et al.	428/41.5
D352,782	S *	11/1994	Kirk et al.	D24/189
D357,742	S *	4/1995	Peery et al.	D24/189
5,437,651	A	8/1995	Todd et al.	
D362,505	S *	9/1995	Fabricant	D24/189
D369,907	S *	5/1996	Sayovitz et al.	D5/53
D370,127	S *	5/1996	Bonaddio et al.	D5/58
D372,098	S *	7/1996	Lattin et al.	D24/189
5,549,584	A	8/1996	Gross	
5,636,643	A	6/1997	Argenta et al.	
5,645,081	A	7/1997	Argenta et al.	
D382,343	S *	8/1997	Wandell et al.	D24/189
D384,745	S *	10/1997	Lattin et al.	D24/189
D385,038	S *	10/1997	Shultz	D24/189
D389,581	S *	1/1998	Fein	D24/189
5,998,694	A *	12/1999	Jensen et al.	602/57
D424,699	S *	5/2000	Allen	D24/189
6,071,267	A	6/2000	Zamierowski	
6,142,982	A	11/2000	Hunt et al.	
6,345,623	B1	2/2002	Heaton et al.	
D477,086	S *	7/2003	Tsuruda et al.	D24/189
6,648,862	B2	11/2003	Watson	
6,685,681	B2	2/2004	Lockwood et al.	
6,752,794	B2	6/2004	Lockwood et al.	
D495,056	S *	8/2004	Watanabe	D24/189
6,936,037	B2	8/2005	Bubb et al.	
D509,299	S *	9/2005	Watanabe	D24/189
6,951,553	B2	10/2005	Bubb et al.	
7,004,915	B2	2/2006	Boynton et al.	
7,108,683	B2	9/2006	Zamierowski	
7,195,624	B2	3/2007	Lockwood et al.	
D571,922	S *	6/2008	Freeland	D24/189
7,381,859	B2	6/2008	Hunt et al.	
D572,367	S *	7/2008	Freeland	D24/189
D572,824	S *	7/2008	Propp	D24/189
D572,825	S *	7/2008	Freeland	D24/189
7,438,705	B2	10/2008	Karpowicz et al.	
7,569,742	B2	8/2009	Haggstrom et al.	
D600,354	S *	9/2009	Sachi	D24/189
D604,424	S *	11/2009	Coubetergues	D24/189
7,615,036	B2	11/2009	Joshi et al.	

**Related U.S. Patent Documents**

Reissue of:

- (64) Patent No.: **Des. 679,820**
- Issued: **Apr. 9, 2013**
- Appl. No.: **29/389,783**
- Filed: **Apr. 15, 2011**

U.S. Applications:

- (60) Continuation of application No. 29/548,270, filed on Dec. 11, 2015, now Pat. No. Re. 46,778, which is a division of application No. 29/510,717, filed on Dec. 2, 2014, now Pat. No. Re. 46,289, which is an application for the reissue of Pat. No. Des. 679,820.

(30) **Foreign Application Priority Data**

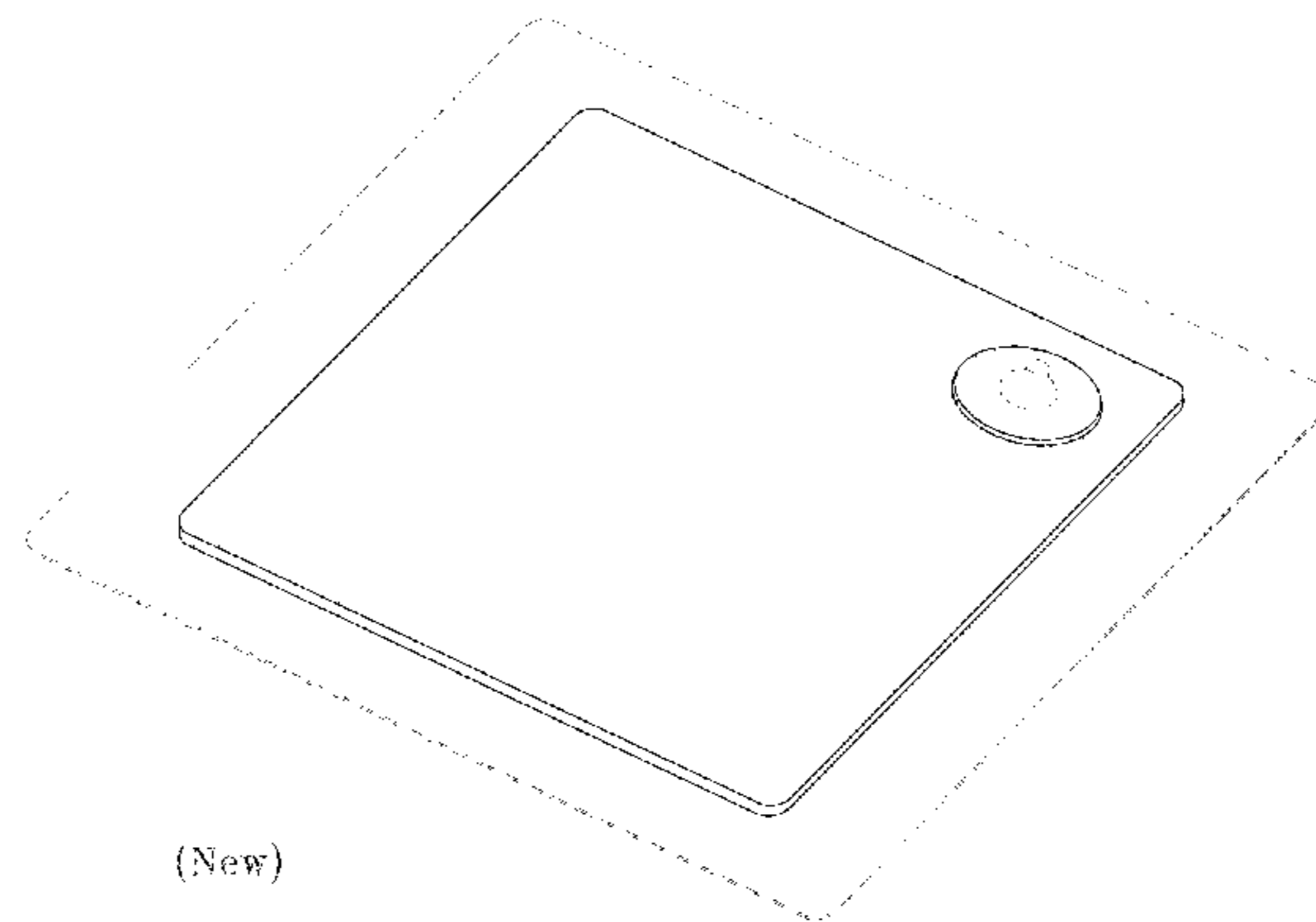
- Oct. 15, 2010 (GB) ..... 4017442
- Oct. 15, 2010 (GB) ..... 4017443

- (51) **LOC (12) Cl.** ..... **24-04**
- (52) **U.S. Cl.**  
USPC ..... **D24/184**
- (58) **Field of Classification Search**  
USPC ..... D24/189  
CPC ..... A61F 13/02; A61M 1/009; A61M 27/00;  
A61M 1/0088  
See application file for complete search history.

(56) **References Cited**

**U.S. PATENT DOCUMENTS**

- 2,613,696 A \* 10/1952 MacIntyre ..... 139/418
- 2,682,873 A 7/1954 Evans et al.



D605,299	S *	12/2009	Iwahashi et al. ....	D24/189
7,645,269	B2	1/2010	Zamierowski	
D609,922	S *	2/2010	Bridges et al. ....	D5/53
7,722,582	B2	5/2010	Lina et al.	
D618,810	S *	6/2010	Tanigawa et al. ....	D24/189
D620,122	S *	7/2010	Cotton .....	D24/189
D620,123	S *	7/2010	Igwebuike .....	D24/189
7,759,537	B2	7/2010	Bishop et al.	
7,759,539	B2	7/2010	Shaw et al.	
7,776,028	B2	8/2010	Miller et al.	
7,779,625	B2	8/2010	Joshi et al.	
7,794,438	B2	9/2010	Henley et al.	
D625,017	S *	10/2010	Iwahashi et al. ....	D24/189
D625,018	S *	10/2010	Smith et al. ....	D24/189
D631,166	S *	1/2011	Leffew et al. ....	D24/189
7,959,624	B2	6/2011	Riesinger	
7,964,766	B2	6/2011	Blott et al.	
7,976,519	B2	7/2011	Bubb et al.	
D642,594	S	8/2011	Mattson et al.	
8,080,702	B2	12/2011	Blott et al.	
8,152,785	B2	4/2012	Vitaris	
8,361,043	B2 *	1/2013	Hu .....	A61F 5/4401 604/319
8,372,049	B2	2/2013	Jaeb et al.	
D679,819	S *	4/2013	Peron .....	D24/189
D679,820	S *	4/2013	Peron .....	D24/189
8,540,699	B2	9/2013	Miller et al.	
D705,428	S *	5/2014	Cheney .....	D24/169
D705,429	S *	5/2014	Cheney .....	D24/169
8,715,256	B2	5/2014	Greener	
8,764,732	B2	7/2014	Hartwell	
8,801,685	B2	8/2014	Armstrong et al.	
8,808,274	B2	8/2014	Hartwell	
D713,967	S *	9/2014	Adoni .....	D24/189
8,864,748	B2	10/2014	Coulthard et al.	
9,061,095	B2	6/2015	Adie et al.	
RE45,864	E	1/2016	Peron	
2004/0241214	A1	12/2004	Kirkwood et al.	
2006/0009744	A1	1/2006	Erdman et al.	
2008/0167593	A1	7/2008	Fleischmann	
2009/0227969	A1	9/2009	Jaeb et al.	
2009/0240185	A1	9/2009	Jaeb et al.	
2009/0281471	A1 *	11/2009	Iwahashi et al. ....	602/54
2009/0293887	A1	12/2009	Wilkes et al.	
2009/0299340	A1	12/2009	Kazala et al.	
2009/0299341	A1	12/2009	Kazala et al.	
2009/0312728	A1	12/2009	Randolph et al.	
2010/0069858	A1	3/2010	Olson	
2010/0069863	A1	3/2010	Olson	
2010/0069885	A1	3/2010	Stevenson et al.	
2010/0121286	A1	5/2010	Locke et al.	
2010/0122417	A1	5/2010	Vrzalik et al.	
2010/0125258	A1	5/2010	Coulthard et al.	
2010/0210986	A1	8/2010	Sanders	
2010/0268198	A1	10/2010	Buan et al.	
2010/0305490	A1	12/2010	Coulthard et al.	
2010/0305526	A1	12/2010	Robinson et al.	
2010/0305549	A1	12/2010	Miller et al.	
2010/0324510	A1	12/2010	Anderson et al.	
2011/0028918	A1	2/2011	Hartwell	
2011/0054421	A1	3/2011	Hartwell	
2011/0054423	A1	3/2011	Blott et al.	
2011/0087179	A2	4/2011	Blott et al.	
2011/0092927	A1	4/2011	Wilkes et al.	
2011/0106030	A1	5/2011	Scholz	
2011/0112492	A1	5/2011	Bharti et al.	
2011/0172615	A2	7/2011	Greener	

FOREIGN PATENT DOCUMENTS

EP	0 619 105	A1	10/1994
EP	2 098 257	A1	9/2009
EP	2 335 749	A1	6/2011
WO	WO 99/01173	A1	1/1999
WO	WO 1999/001173		1/1999
WO	WO 01/85248	A1	11/2001
WO	WO 2001/85248		11/2001
WO	WO 2009/019227		2/2009
WO	WO 2009/019229		2/2009

WO	WO 2009/103031	8/2009
WO	WO 2009/111657	9/2009
WO	WO 2010/033574	3/2010
WO	WO 2010/033574 A1	3/2010
WO	WO 2010/035017	4/2010
WO	WO 2010/072395	7/2010
WO	WO 2010/147533	12/2010
WO	WO 2010/147533 A1	12/2010
WO	WO 2011/019476	2/2011
WO	WO 2011/019476 A1	2/2011
WO	WO 2011/023275	3/2011
WO	WO 2011/023275 A1	3/2011

OTHER PUBLICATIONS

Allewyn Educational Booklet, Smith & Nephew Medical Ltd, Apr. 2014.  
 Allewyn Wound Dressings Pamphlet, Smith & Nephew, Inc., 2008.  
 KCI Licensing, Prevena™ Incision Management System, Jan. 2010.  
 KCI Licensing, Prevena™ Incision Management System Patient Guide, Jan. 2010.  
 KCI, Prevena™ Incision Management System Clinician Guide, Jan. 2010.  
 Teder et al., "Continuous Wound Irrigation in the Pig," Journal of Investigative Surgery, vol. 3, 1990, pp. 399-407.  
 U.S. Appl. No. 29/389,782, filed Apr. 15, 2011, Peron.  
 U.S. Appl. No. 13/092,042, filed Apr. 21, 2011.

\* cited by examiner

Primary Examiner — Darlington Ly  
 (74) Attorney, Agent, or Firm — Knobbe, Martens, Olson & Bear, LLP

(57) CLAIM

The ornamental design for a medical dressing, as shown and described.

DESCRIPTION

[FIG. 1 is a perspective top view of one embodiment of a medical dressing.]  
 [FIG. 2 is another perspective top view of the medical dressing of FIG. 1.]  
 [FIG. 3 is a top plan view of the medical dressing of FIG. 1.]  
 [FIG. 4 is a bottom view of the medical dressing of FIG. 1.]  
 [FIG. 5 is a far side view of the medical dressing of FIG. 1.]  
 [FIG. 6 is near side view of the medical dressing of FIG. 1.]  
 [FIG. 7 is a front view of the medical dressing of FIG. 1; and.]  
 [FIG. 8 is a rear view of the medical dressing of FIG. 1.]  
 FIG. 9 is a top, right-side, and front perspective view of a medical dressing.  
 FIG. 10 is a top, right-side, and rear perspective top view of the medical dressing of FIG. 9.  
 FIG. 11 is a top plan view of the medical dressing of FIG. 9.  
 FIG. 12 is a bottom plan view of the medical dressing of FIG. 9.  
 FIG. 13 is a left side elevation view of the medical dressing of FIG. 9.  
 FIG. 14 is a right side elevation view of the medical dressing of FIG. 9.  
 FIG. 15 is a front elevation view of the medical dressing of FIG. 9; and,  
 FIG. 16 is a rear elevation view of the medical dressing of FIG. 9.

*The broken lines in the drawings illustrate portions of the medical dressing that form no part of the claimed design.*

**1 Claim, 16 Drawing Sheets**

**Matter enclosed in heavy brackets [ ] appears in the original patent but forms no part of this reissue; matter printed in italics indicates the additions made by reissue.**

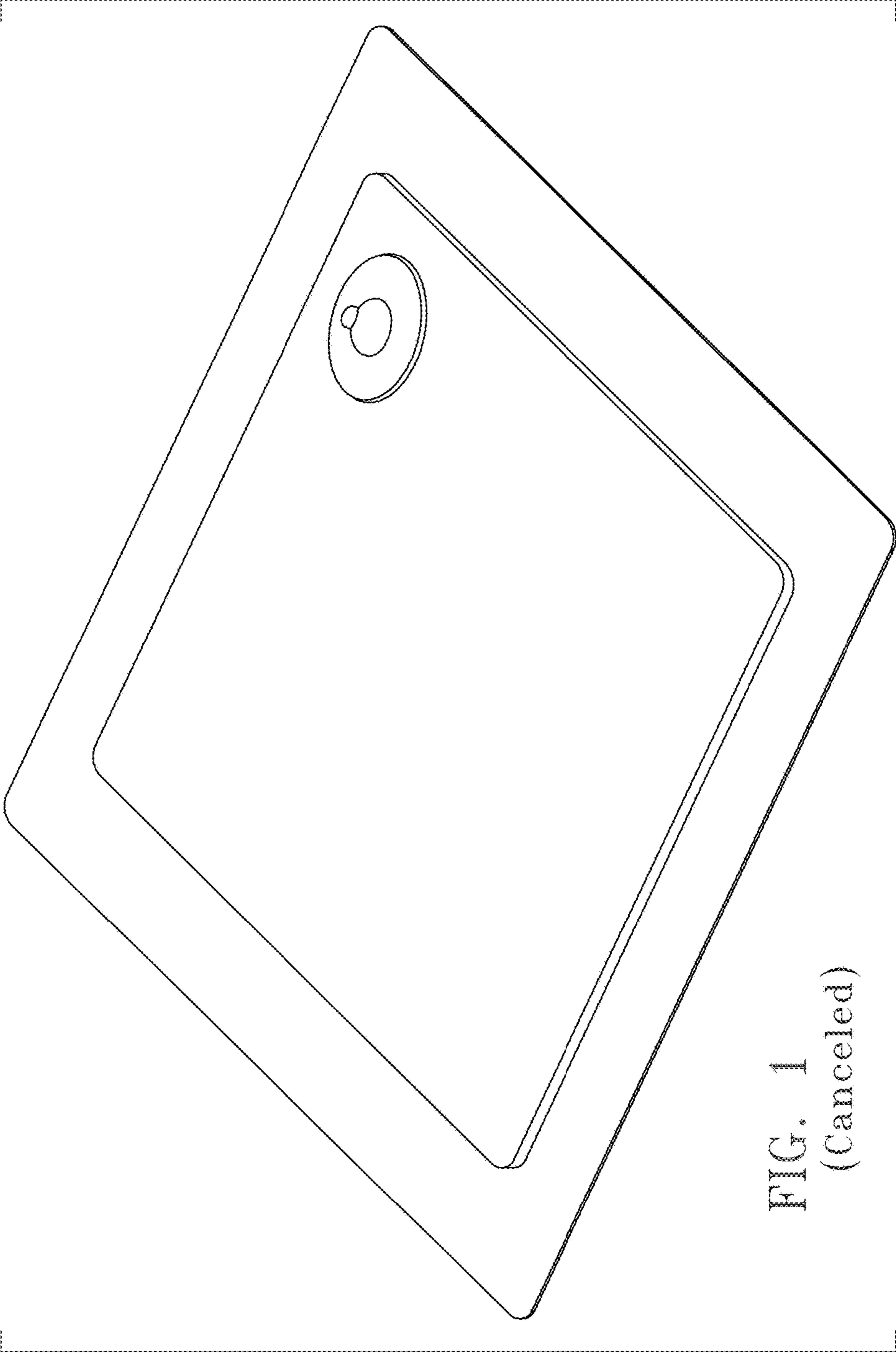


FIG. 1  
(Canceled)

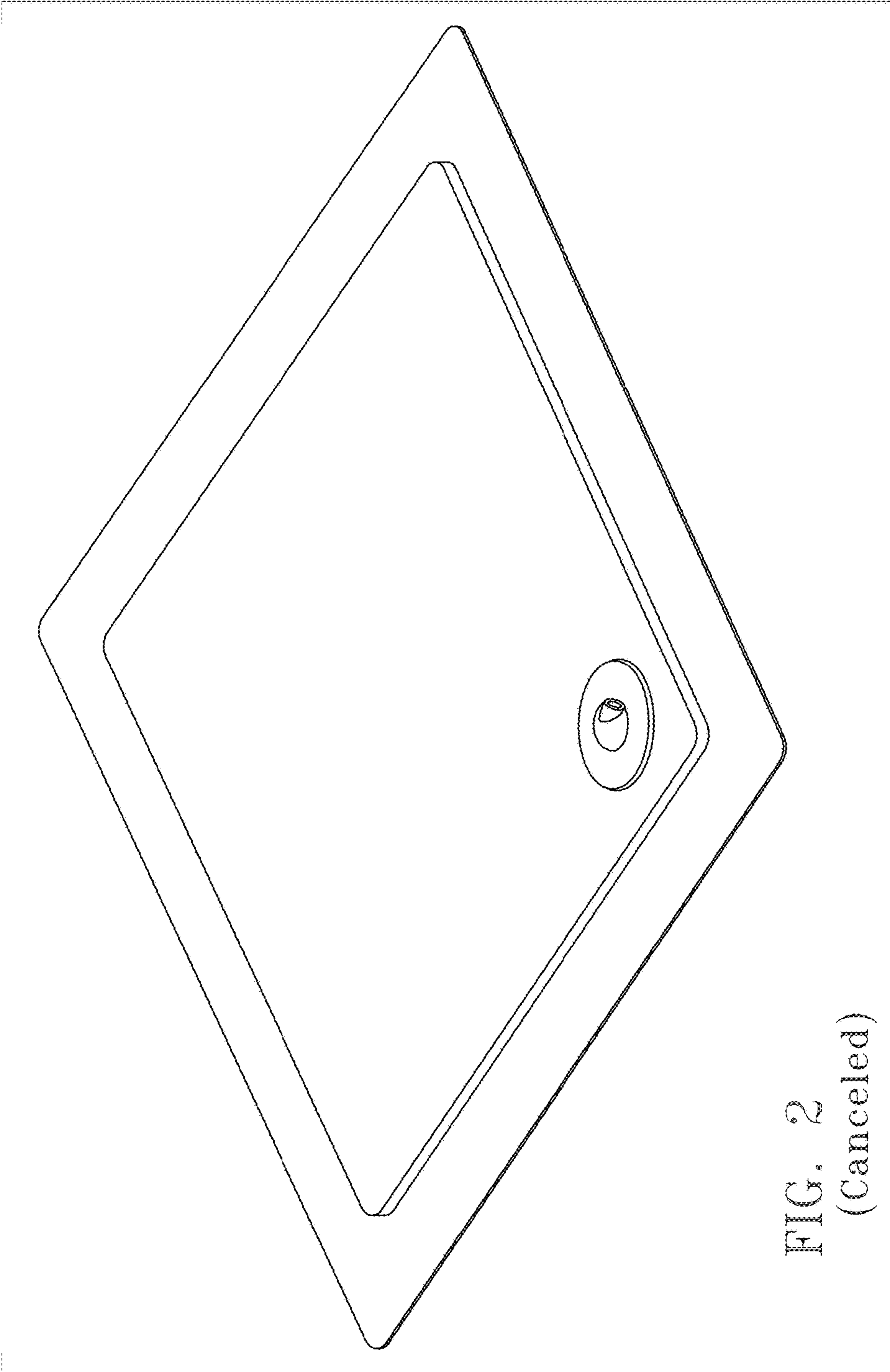


FIG. 2  
(Canceled)

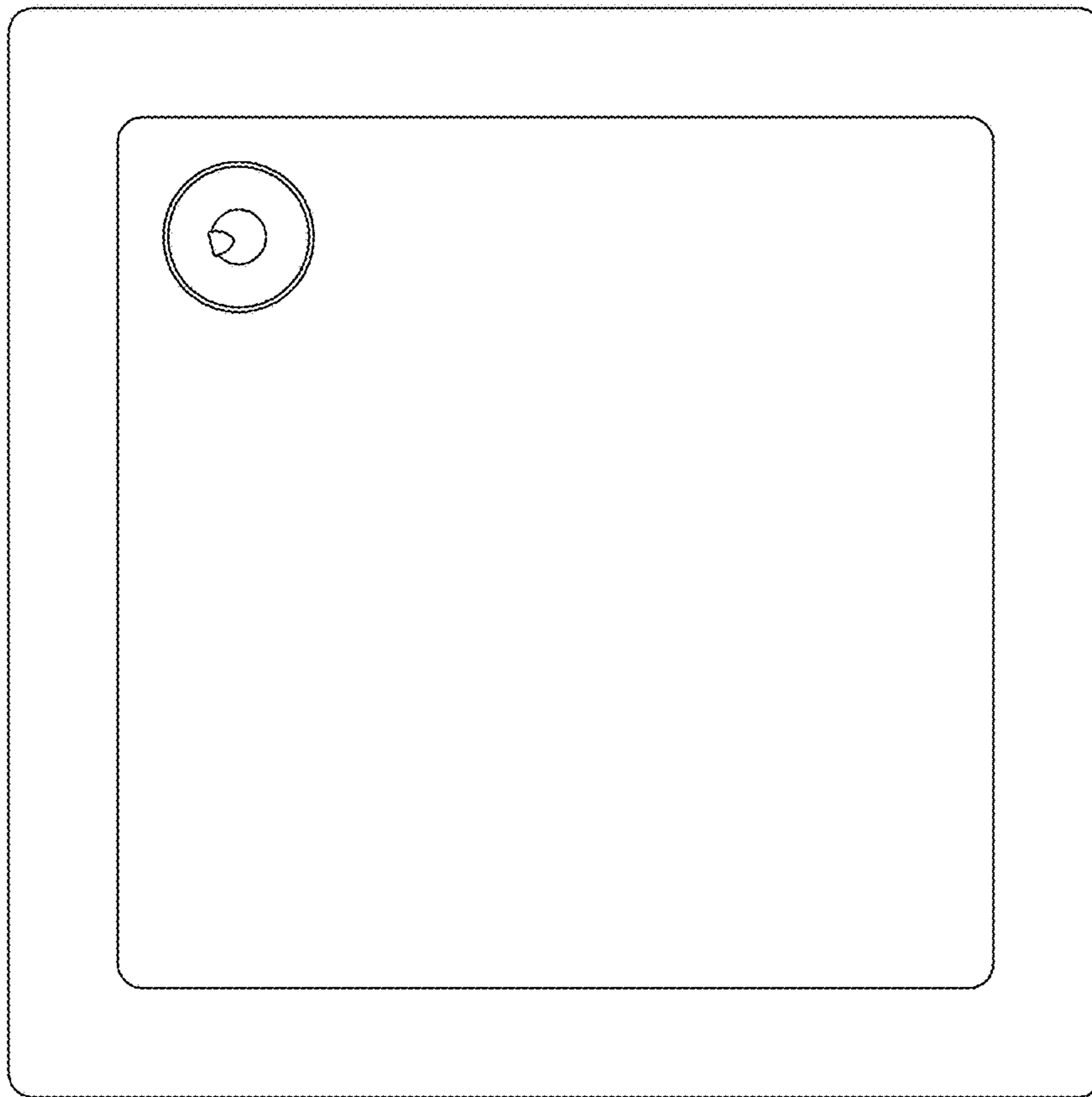


FIG. 3  
(Canceled)

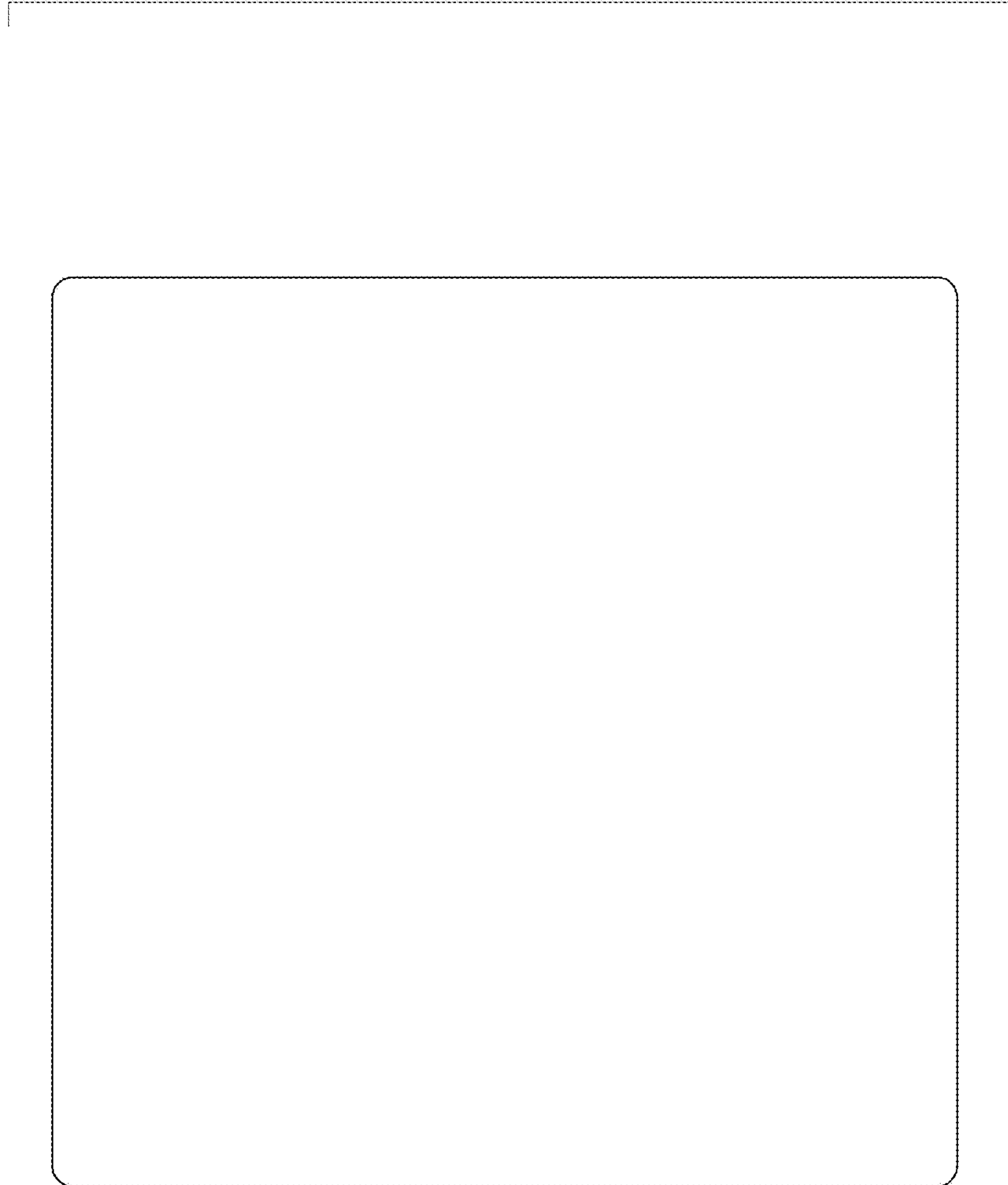


FIG. 4  
(Canceled)

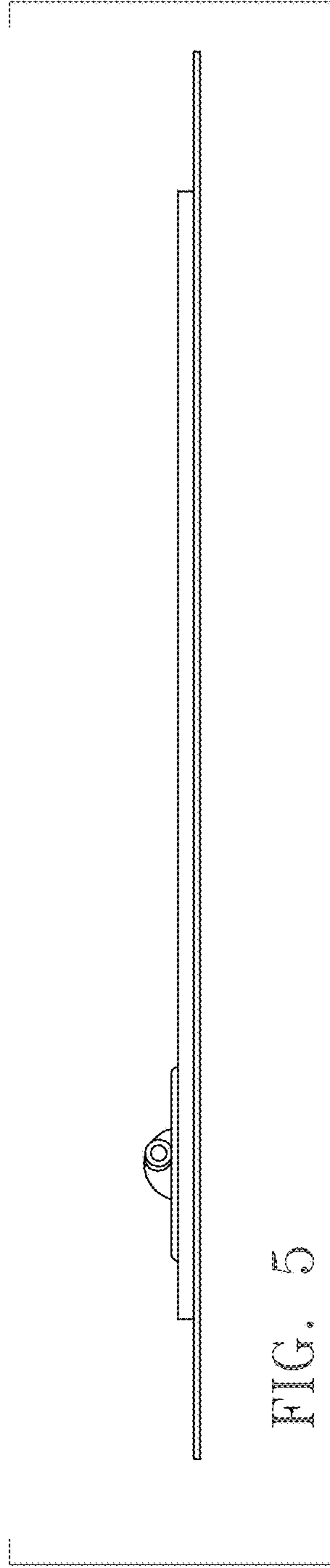


FIG. 5  
(Canceled)



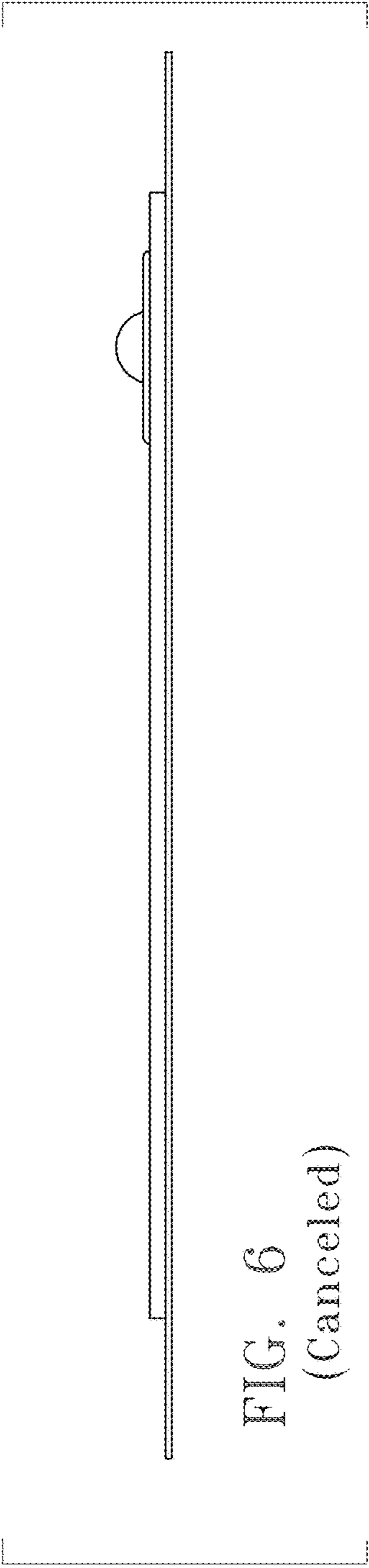


FIG. 6  
(Canceled)

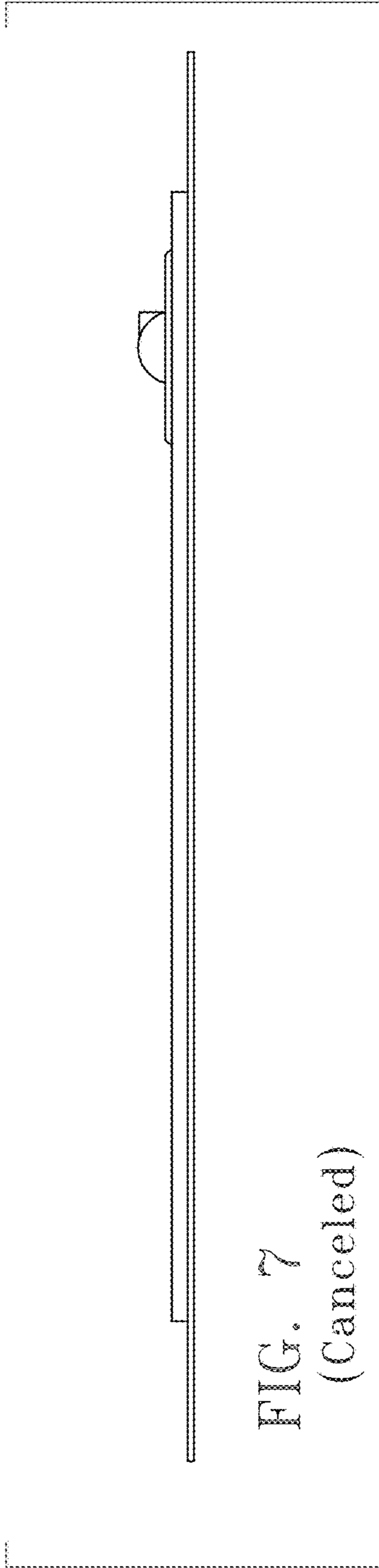


FIG. 7  
(Canceled)

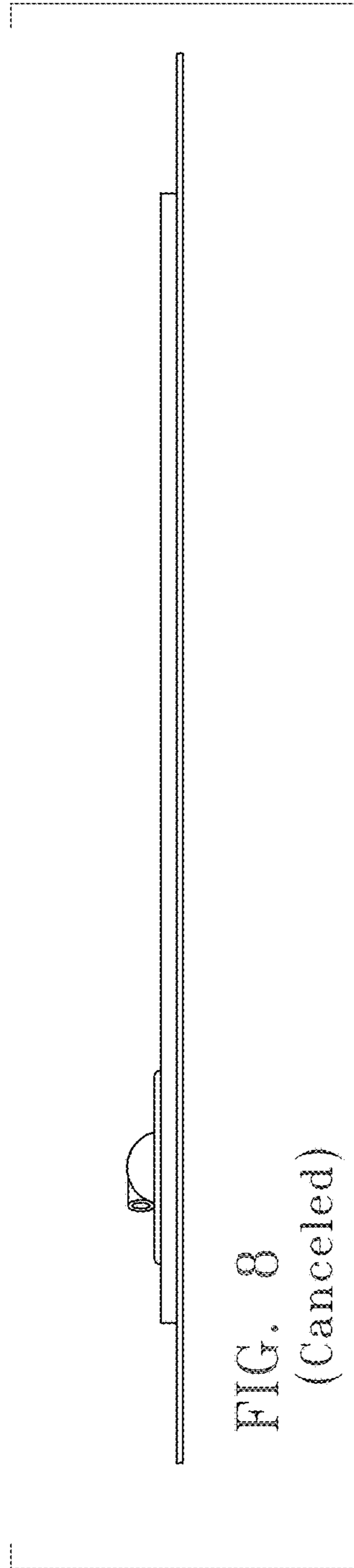


FIG. 8  
(Canceled)

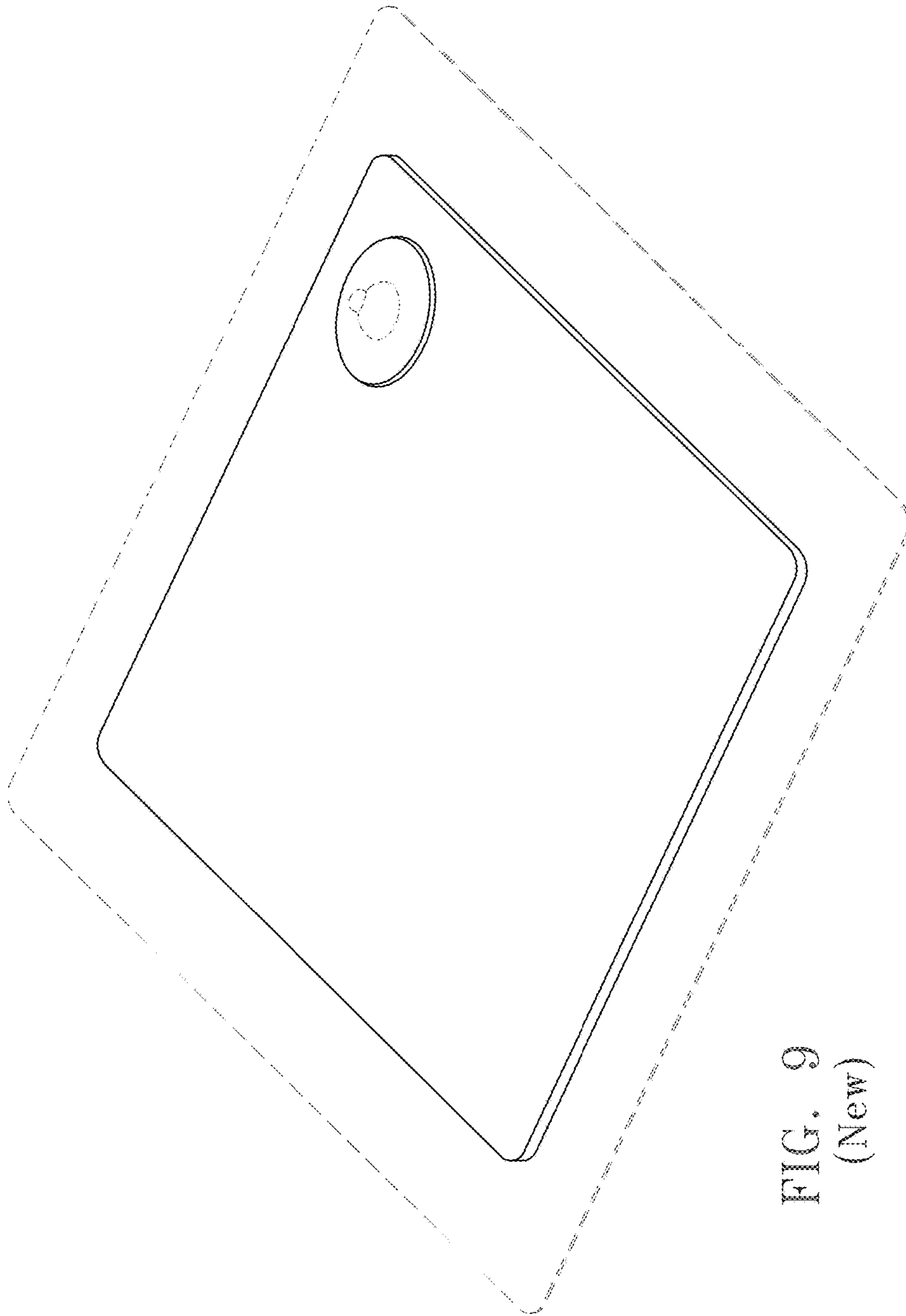


FIG. 9  
(New)

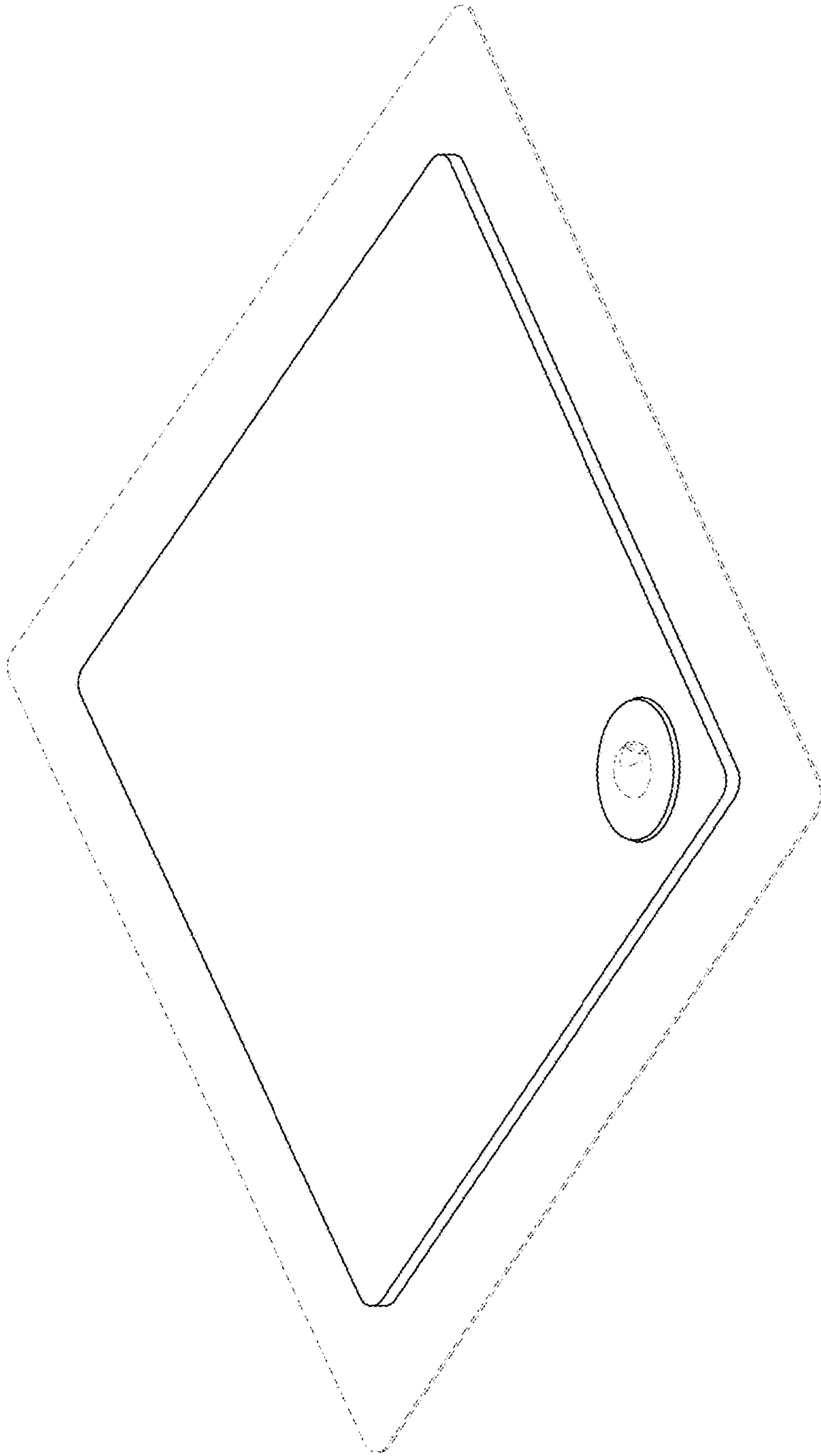


FIG. 10  
(New)

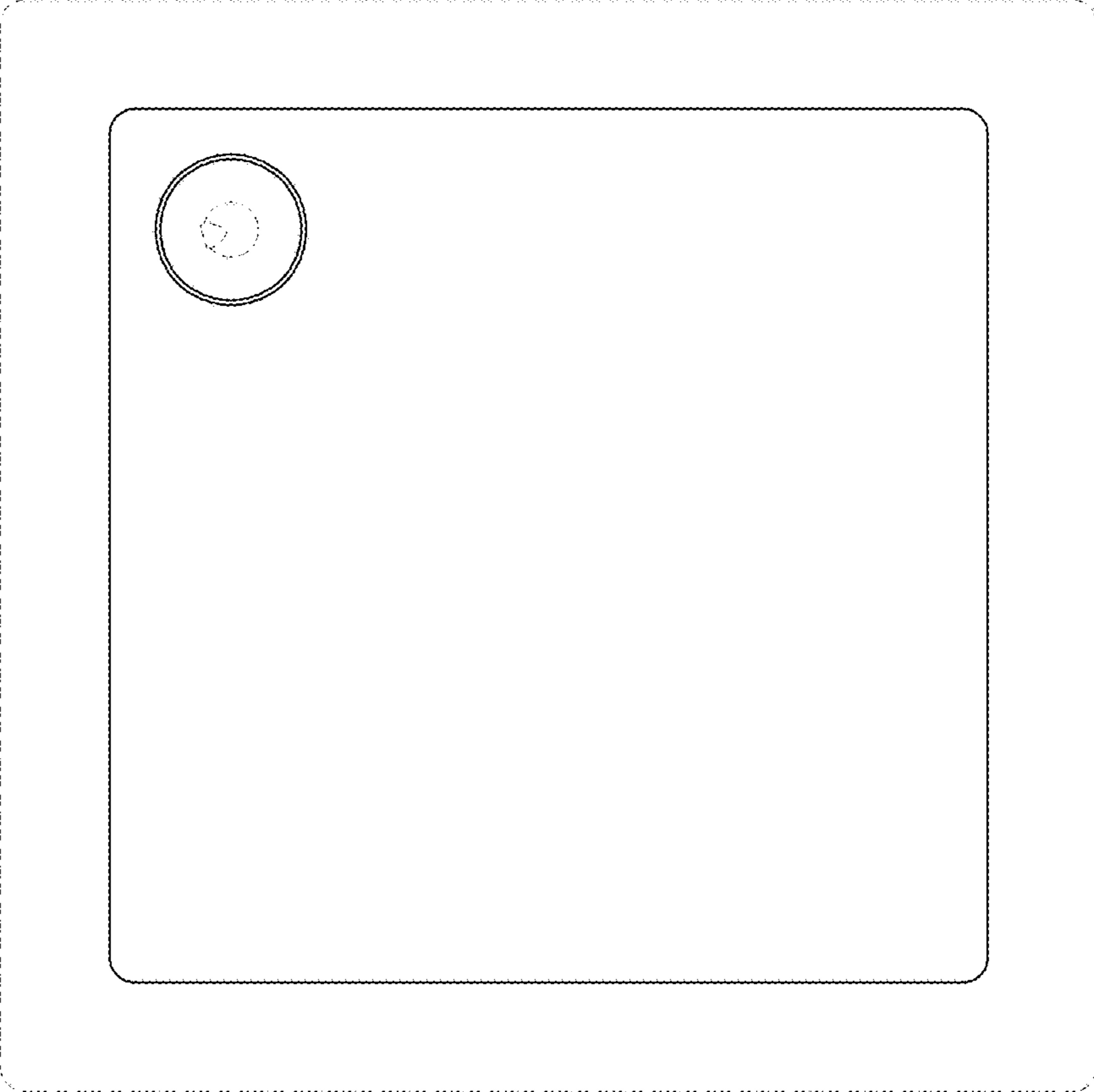


FIG. 11  
(New)



FIG. 12  
(New)

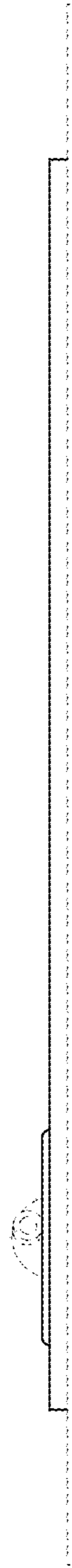


FIG. 13  
(New)



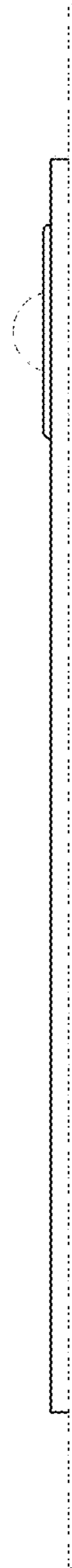


FIG. 14  
(New)

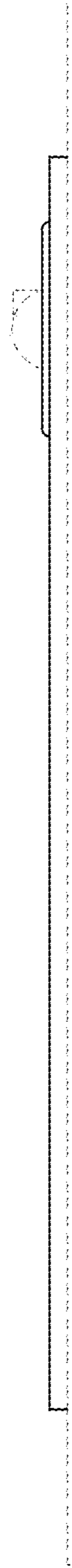


FIG. 15  
(New)

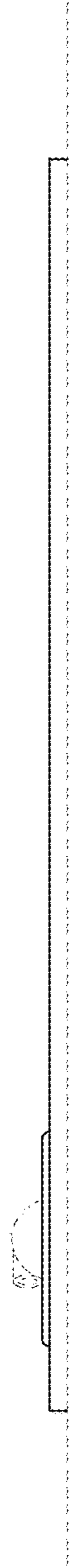


FIG. 16  
(New)