



US00RE47624E

(19) **United States**
(12) **Reissued Patent**
Tang et al.

(10) **Patent Number:** **US RE47,624 E**
(45) **Date of Reissued Patent:** **Oct. 1, 2019**

(54) **CO-FIRED HERMETICALLY SEALED FEEDTHROUGH WITH ALUMINA SUBSTRATE AND PLATINUM FILLED VIA FOR AN ACTIVE IMPLANTABLE MEDICAL DEVICE**

(52) **U.S. Cl.**
CPC *A61N 1/3754* (2013.01); *A61N 1/05* (2013.01); *A61N 1/08* (2013.01); *B23K 35/3013* (2013.01);
(Continued)

(71) Applicant: **Greatbatch Ltd.**, Clarence, NY (US)

(58) **Field of Classification Search**
CPC *A61N 1/3754*; *A61N 1/08*; *A61N 1/05*; *A61N 1/375*; *A61N 1/372*; *H01G 4/35*;
(Continued)

(72) Inventors: **Xiaohong Tang**, Williamsville, NY (US); **William C. Thiebolt**, Tonawanda, NY (US); **Christine A. Frysz**, Orchard Park, NY (US); **Keith W. Seitz**, Clarence Center, NY (US); **Robert A. Stevenson**, Canyon Country, CA (US); **Richard L. Brendel**, Carson City, NV (US); **Thomas Marzano**, East Amherst, NY (US); **Jason Woods**, Carson City, NV (US); **Dominck J. Frustaci**, Williamsville, NY (US); **Steven W. Winn**, Lancaster, NY (US)

(56) **References Cited**

U.S. PATENT DOCUMENTS

3,137,808 A 6/1964 Coda et al.
3,189,978 A 6/1965 Stetson
(Continued)

FOREIGN PATENT DOCUMENTS

EP 0697725 2/1996
EP 2392382 7/2011
EP 2392382 12/2011

(73) Assignee: **Greatbatch Ltd.**, Clarence, NY (US)

OTHER PUBLICATIONS

(21) Appl. No.: **15/016,368**

Lu, et al., "Pt-AI2O3 interfacial bonding in implantable hermetic feedthroughs: Morphology and orientation", Society for Biomaterial—2011 Wiley Periodicals, Inc., Dec. 24, 2011, 817-824.

(22) Filed: **Feb. 5, 2016**

(Continued)

Related U.S. Patent Documents

Reissue of:

(64) Patent No.: **8,653,384**
Issued: **Feb. 18, 2014**
Appl. No.: **13/743,254**
Filed: **Jan. 16, 2013**

Primary Examiner — Minh Nguyen

(74) *Attorney, Agent, or Firm* — Michael F. Scalise

U.S. Applications:

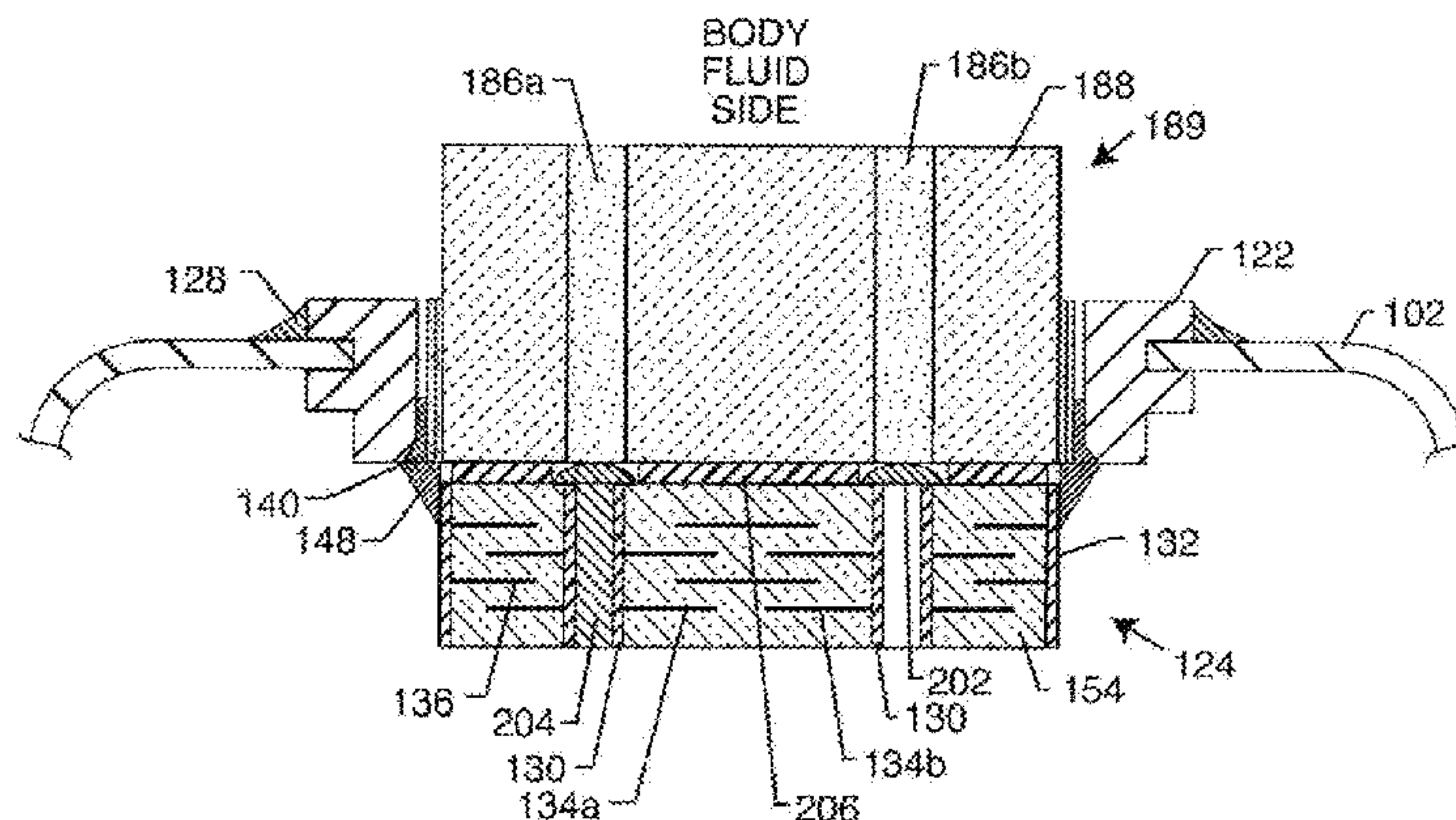
(60) Provisional application No. 61/587,029, filed on Jan. 16, 2012, provisional application No. 61/587,287,
(Continued)

(57) **ABSTRACT**

A co-fired hermetically sealed feedthrough is attachable to an active implantable medical device. The feedthrough comprises an alumina dielectric substrate comprising at least 96 or 99% alumina. A via hole is disposed through the alumina dielectric substrate from a body fluid side to a device side. A substantially closed pore, fritless and substantially pure platinum fill is disposed within the via hole forming a platinum filled via electrically conductive between the body fluid side and the device side. A hermetic seal is between the platinum fill and the alumina dielectric

(Continued)

(51) **Int. Cl.**
H02G 3/18 (2006.01)
A61N 1/05 (2006.01)
(Continued)



substrate, wherein the hermetic seal comprises a tortuous and mutually conformal interface between the alumina dielectric substrate and the platinum fill.

64 Claims, 48 Drawing Sheets

Related U.S. Application Data

filed on Jan. 17, 2012, provisional application No. 61/587,373, filed on Jan. 17, 2012.

(51) **Int. Cl.**

- A61N 1/375* (2006.01)
- H01G 4/30* (2006.01)
- H01G 4/35* (2006.01)
- C22C 29/12* (2006.01)
- H01G 2/10* (2006.01)
- H01G 4/40* (2006.01)
- H01G 4/12* (2006.01)
- H01R 43/00* (2006.01)
- H02G 3/22* (2006.01)
- A61N 1/08* (2006.01)
- H01G 4/005* (2006.01)
- B23K 35/30* (2006.01)
- A61N 1/372* (2006.01)

(52) **U.S. Cl.**

- CPC *C22C 29/12* (2013.01); *H01G 2/103* (2013.01); *H01G 4/005* (2013.01); *H01G 4/12* (2013.01); *H01G 4/30* (2013.01); *H01G 4/35* (2013.01); *H01G 4/40* (2013.01); *H01R 43/00* (2013.01); *H02G 3/22* (2013.01); *A61N 1/372* (2013.01); *A61N 1/375* (2013.01); *Y10T 156/1052* (2015.01)

(58) **Field of Classification Search**

- CPC *H01G 2/103*; *H01G 4/005*; *H01G 4/12*; *H01G 4/40*; *H01G 4/30*; *C22C 29/12*; *H01R 43/00*; *H02G 3/22*; *B23K 35/3013*; *Y10T 156/1052*
- USPC 174/650, 152 GM, 50.61, 50.5, 50.55, 174/50.63, 520, 521; 361/302, 306.2, 361/328, 329, 306.1, 320, 321.1, 306.3; 607/36, 37, 5, 116; 439/935, 926, 587; 427/2.1; 156/250

See application file for complete search history.

(56) **References Cited**

U.S. PATENT DOCUMENTS

3,617,830 A	11/1971	Perna, Jr.	
4,424,551 A	1/1984	Stevenson et al.	
5,046,242 A *	9/1991	Kuzma	A61N 1/3754 174/152 GM
5,272,283 A	12/1993	Kuzma	
5,333,095 A	7/1994	Stevenson et al.	
5,406,444 A *	4/1995	Selfried et al.	361/302
5,434,358 A	7/1995	Glahn et al.	
5,470,345 A	11/1995	Hassler et al.	
5,620,476 A	4/1997	Truex et al.	
5,623,724 A	4/1997	Gurkovich et al.	
5,650,759 A	7/1997	Hittman et al.	
5,700,548 A	12/1997	Warnier et al.	
5,735,884 A	4/1998	Thompson et al.	
5,751,539 A	5/1998	Stevenson et al.	

5,782,891 A	7/1998	Hassler et al.	
5,855,995 A	1/1999	Haq et al.	
5,896,267 A	4/1999	Hittman et al.	
5,959,829 A	9/1999	Stevenson et al.	
6,041,496 A	3/2000	Haq et al.	
6,146,743 A	11/2000	Haq et al.	
6,252,761 B1	6/2001	Branchevsky	
6,284,080 B1	9/2001	Haq et al.	
6,414,835 B1	7/2002	Wolf et al.	
6,456,481 B1	9/2002	Stevenson	
6,470,545 B1	10/2002	Branchevsky	
6,660,116 B2	12/2003	Wolf et al.	
6,694,583 B2	2/2004	Branchevsky	
6,765,779 B2 *	7/2004	Stevenson	A61N 1/3754 361/302
6,812,404 B1 *	11/2004	Martinez	174/50.61
7,035,076 B1 *	4/2006	Stevenson	361/302
7,064,270 B2 *	6/2006	Marshall et al.	174/50.61
7,068,491 B1	6/2006	Burdon et al.	
7,145,076 B2 *	12/2006	Knappen et al.	174/50.61
7,164,572 B1	1/2007	Burdon et al.	
7,310,216 B2	12/2007	Stevenson et al.	
7,480,988 B2	1/2009	Ok et al.	
7,693,576 B1	4/2010	Lavie et al.	
7,719,854 B2	5/2010	Youker et al.	
7,812,691 B1	10/2010	Fisk et al.	
7,901,761 B1	3/2011	Jiang et al.	
7,957,806 B2	6/2011	Stevenson et al.	
7,989,080 B2	8/2011	Greenberg et al.	
8,000,804 B1	8/2011	Wessendorf et al.	
8,043,454 B1	10/2011	Jiang et al.	
8,163,397 B2	4/2012	Ok et al.	
8,536,468 B2 *	9/2013	Teske	174/650
8,653,384 B2	2/2014	Marzano et al.	
8,938,309 B2	1/2015	Marzano et al.	
9,233,253 B2	1/2016	Stevenson et al.	
2002/0027282 A1	3/2002	Kawakami et al.	
2002/0139556 A1	10/2002	Ok et al.	
2003/0213605 A1	11/2003	Brendel et al.	A61N 1/3754 174/360
2005/0190527 A1	9/2005	Stevenson et al.	
2005/0195556 A1	9/2005	Shah	
2006/0259093 A1	11/2006	Stevenson et al.	
2007/0060969 A1	3/2007	Burdon et al.	
2007/0060970 A1	3/2007	Burdon et al.	
2007/0236861 A1	10/2007	Burdon et al.	
2008/0314502 A1	12/2008	Ok et al.	
2009/0243756 A1	10/2009	Stevenson et al. ..	A61N 1/3754 333/172
2009/0259265 A1	10/2009	Stevenson et al.	
2010/0023086 A1	1/2010	Lim	
2010/0160991 A1	6/2010	Lim	
2011/0000699 A1	1/2011	Bealka et al.	
2011/0034965 A1	2/2011	Troetzschel et al.	
2011/0048770 A1	3/2011	Reiterer et al.	
2011/0048990 A1	3/2011	Goda	
2011/0106205 A1	5/2011	Reiterer et al.	
2011/0248184 A1	10/2011	Shah	A61B 5/14552 250/458.1
2012/0193117 A1	8/2012	Specht et al.	
2012/0197327 A1	8/2012	Specht	

OTHER PUBLICATIONS

Hong Lu et al., Pt-AI2O3 interfacial bonding in implantable hermetic feedthroughs: Morphology and orientation, Society for Biomaterials, J Biomed Mater Res Part B 2012: 100B:817-824.
 European Search Report for 13151536 dated Jun. 13, 2013.
 European Search Report for 13151537.1 dated Jul. 11, 2013
 European Search Report for 13151535.5 dated Jul. 22, 2013.
 European Search Report for 13151537.1 dated Jun. 26, 2013.

* cited by examiner

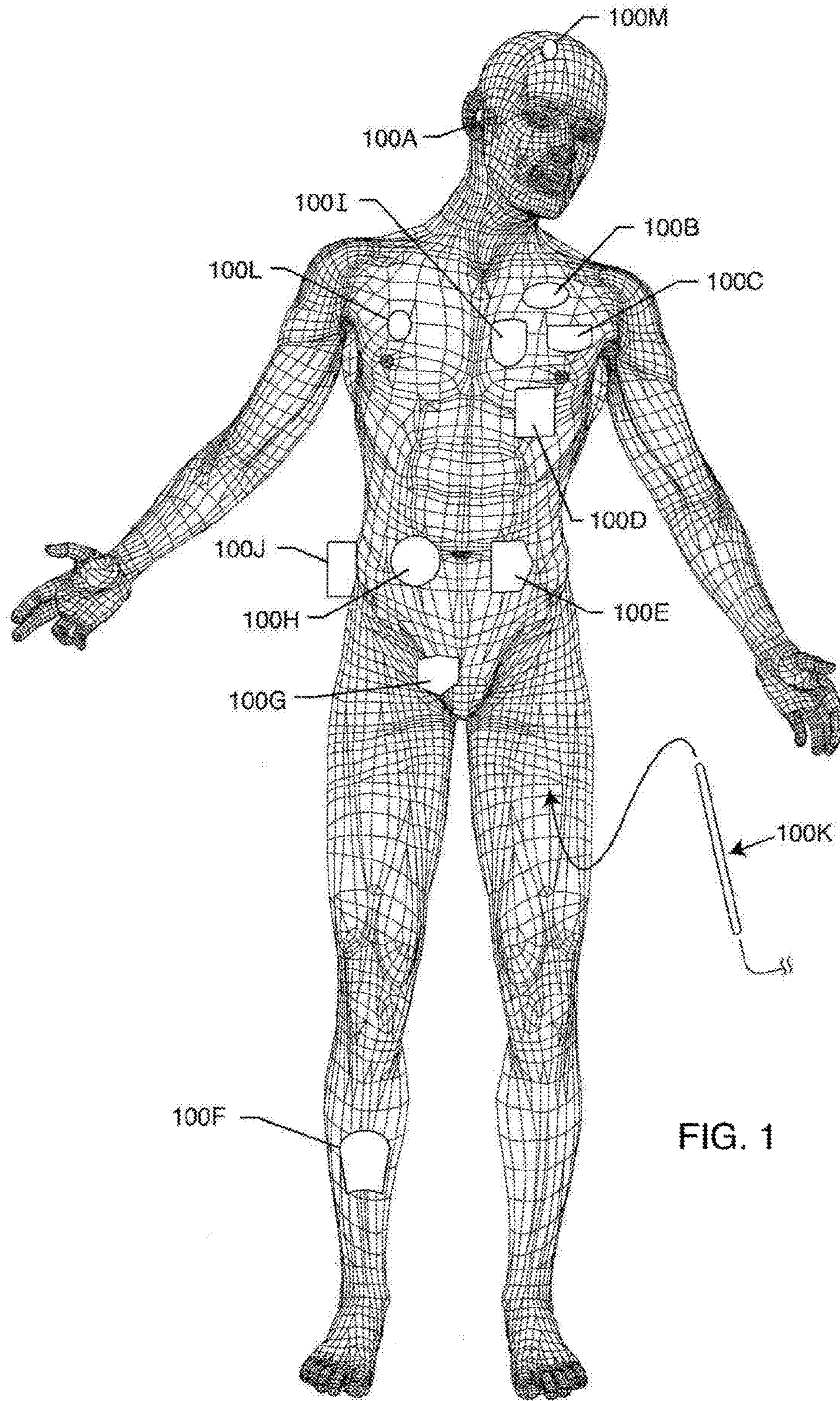


FIG. 1

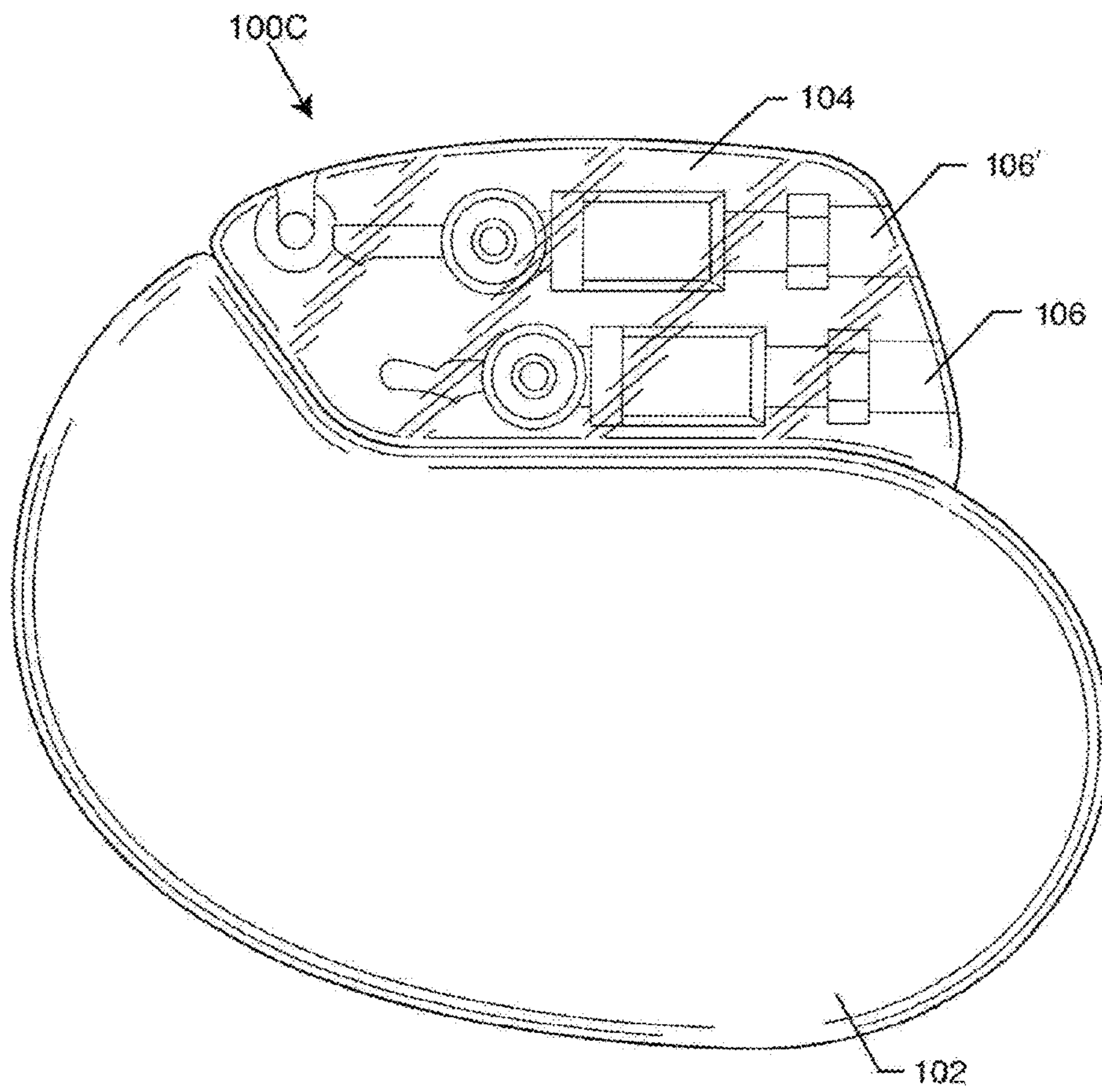
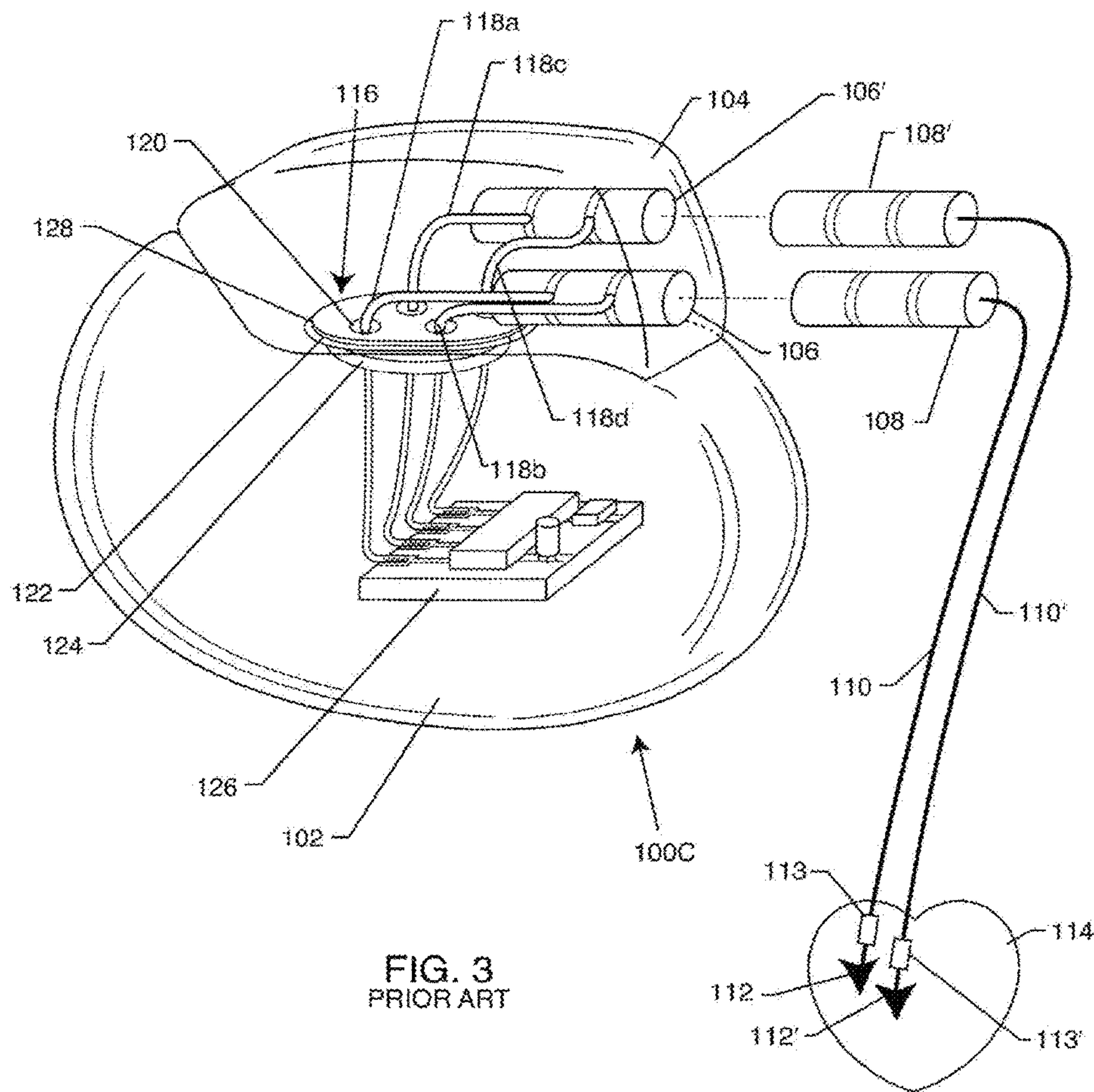


FIG. 2
PRIOR ART



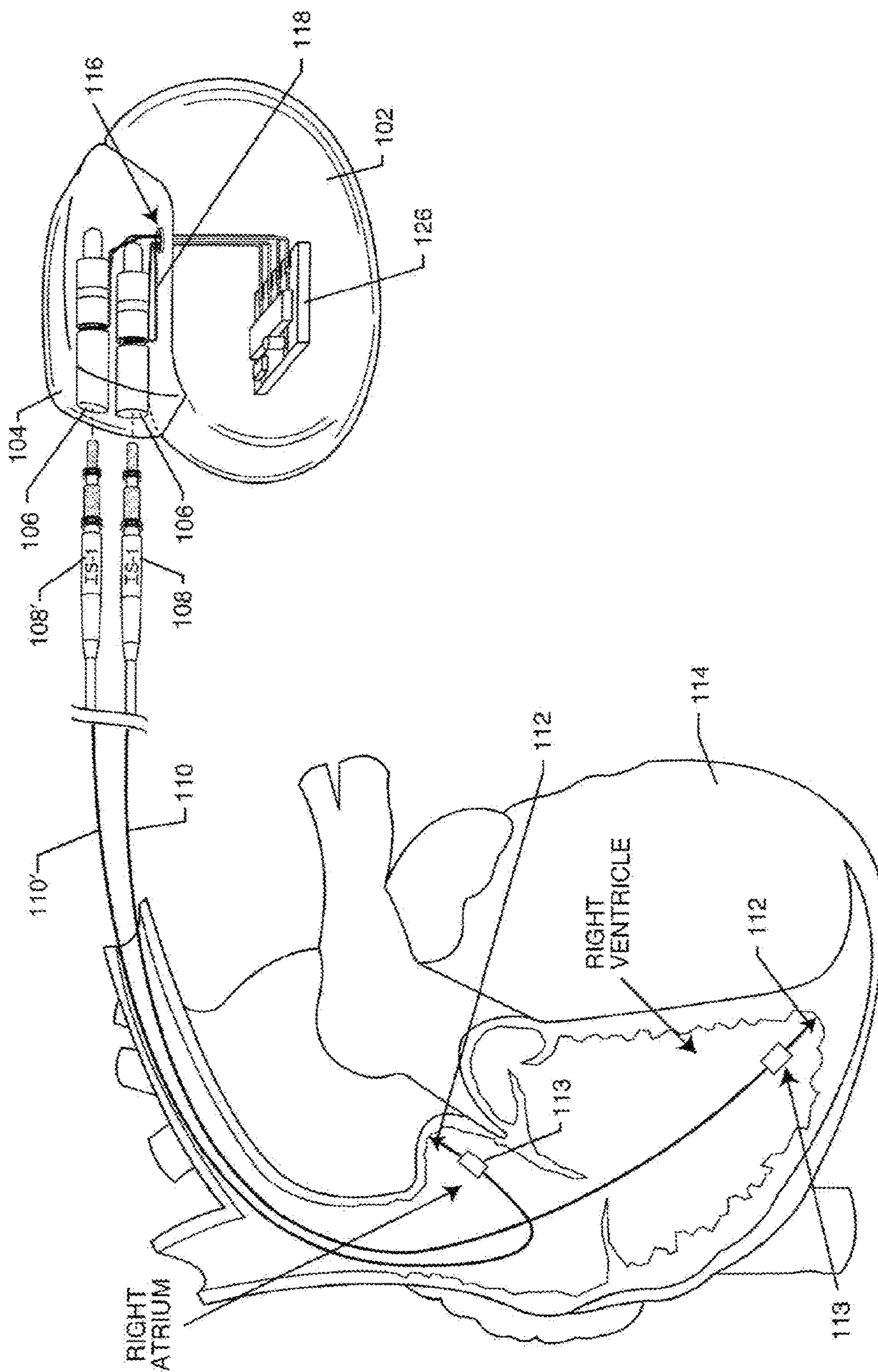


FIG. 3A
PRIOR ART

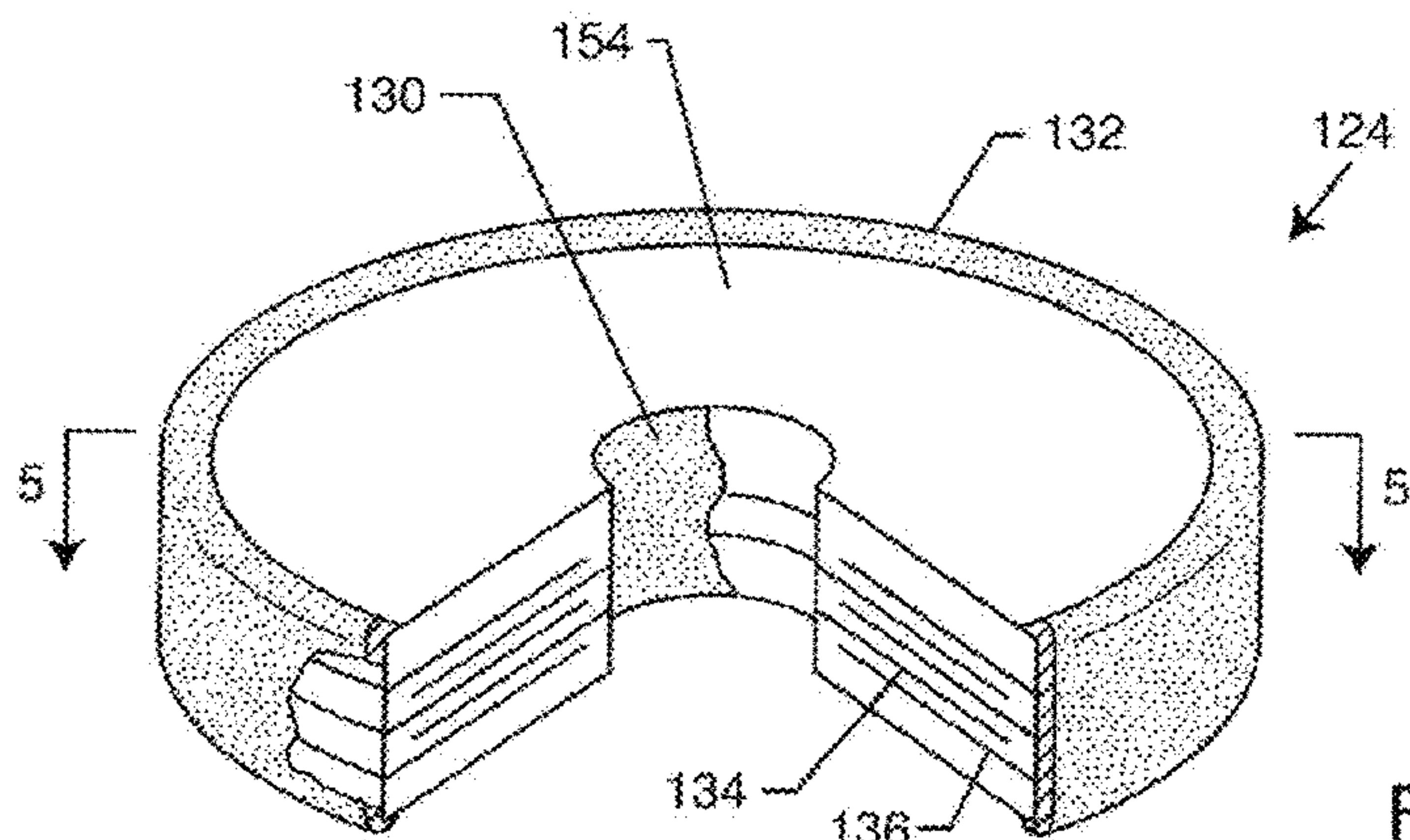


FIG. 4
PRIOR ART

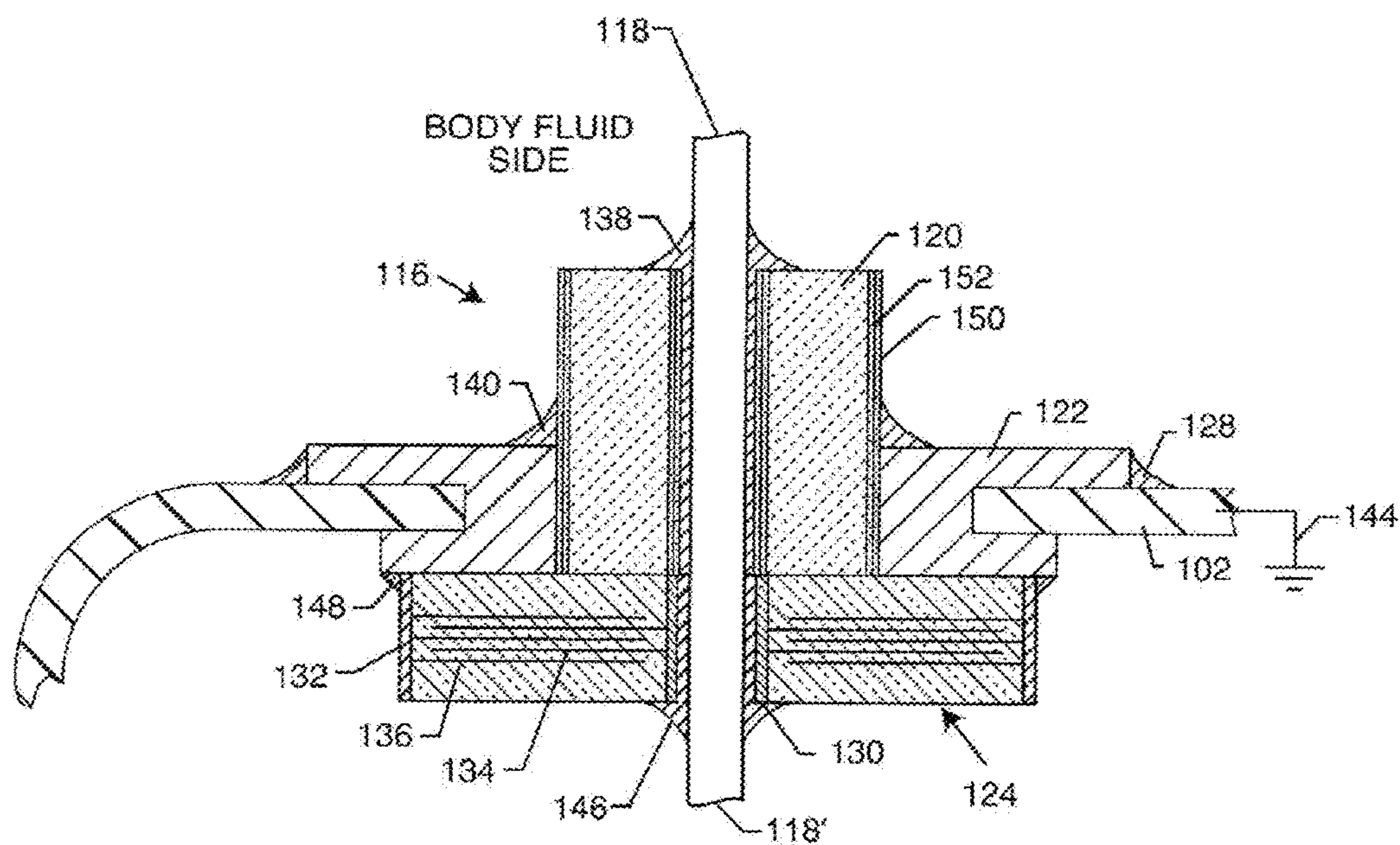


FIG. 5
PRIOR ART

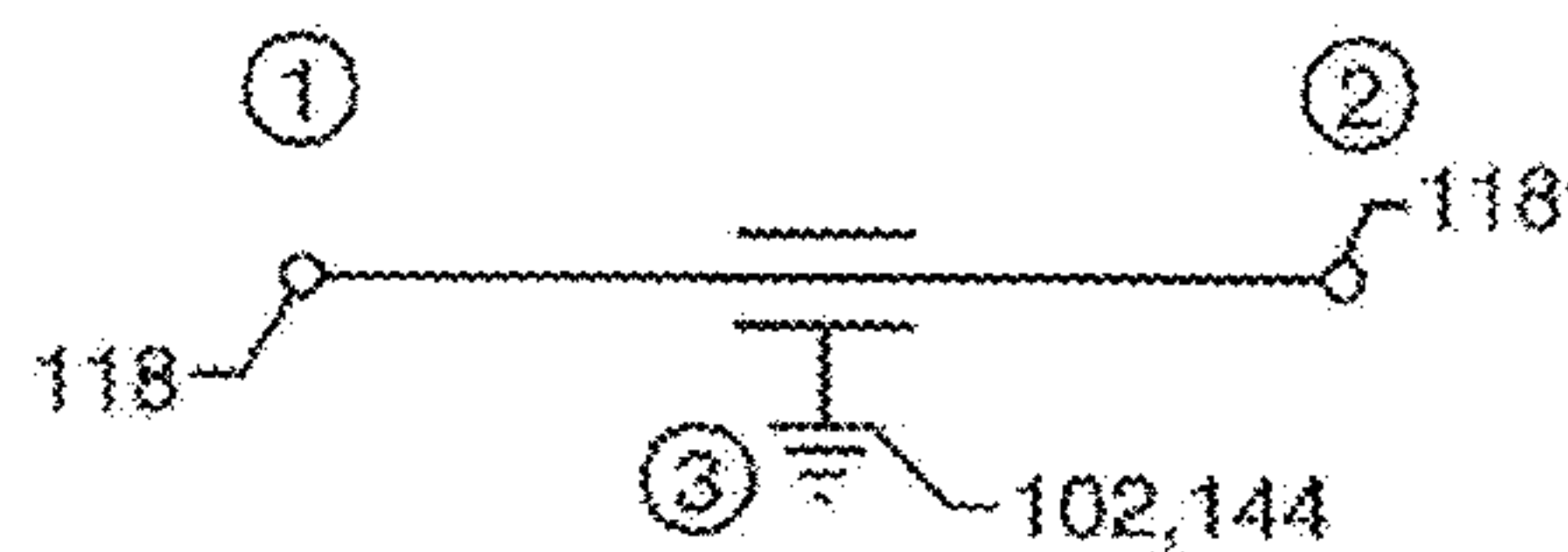


FIG. 6
PRIOR ART

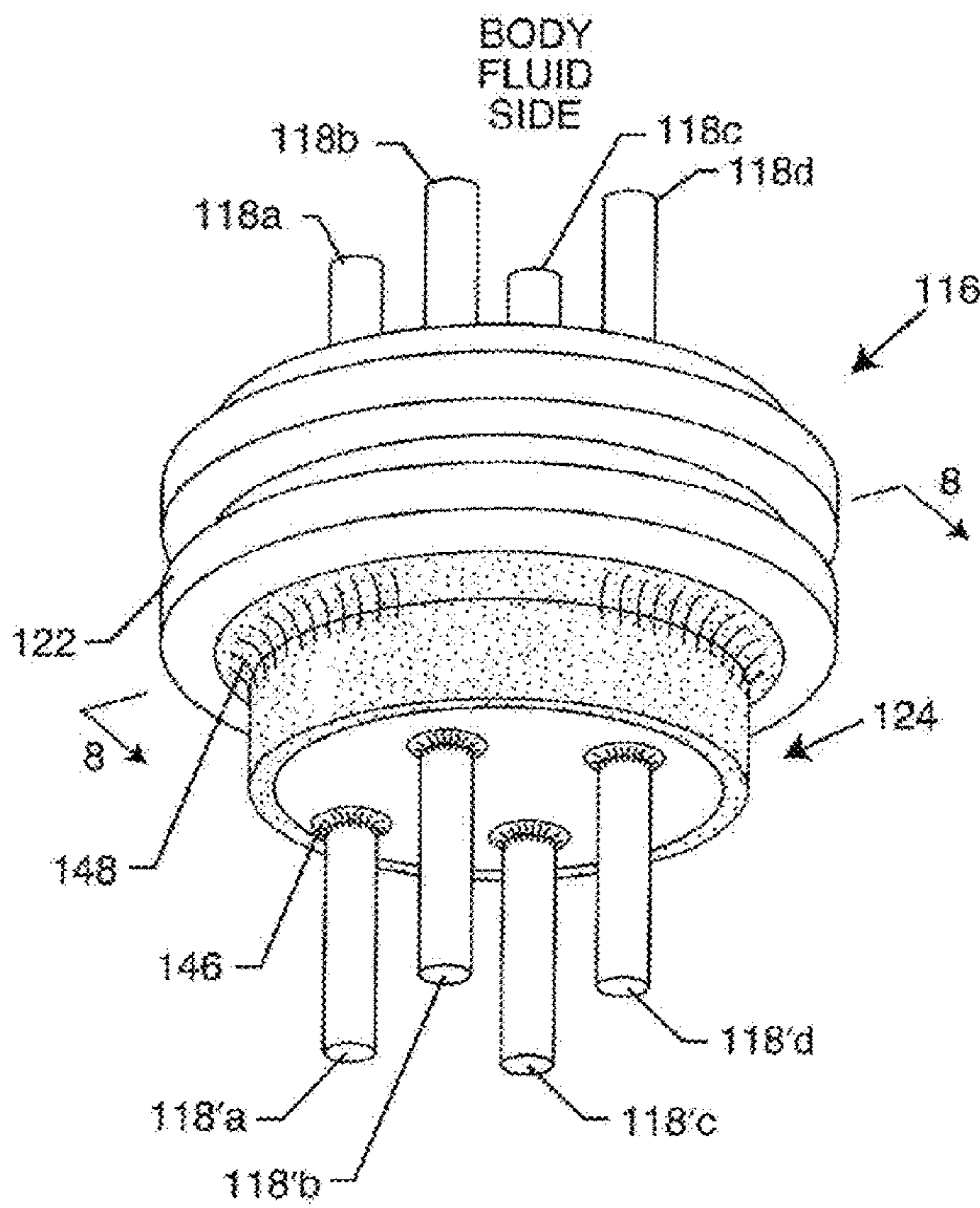


FIG. 7
PRIOR ART

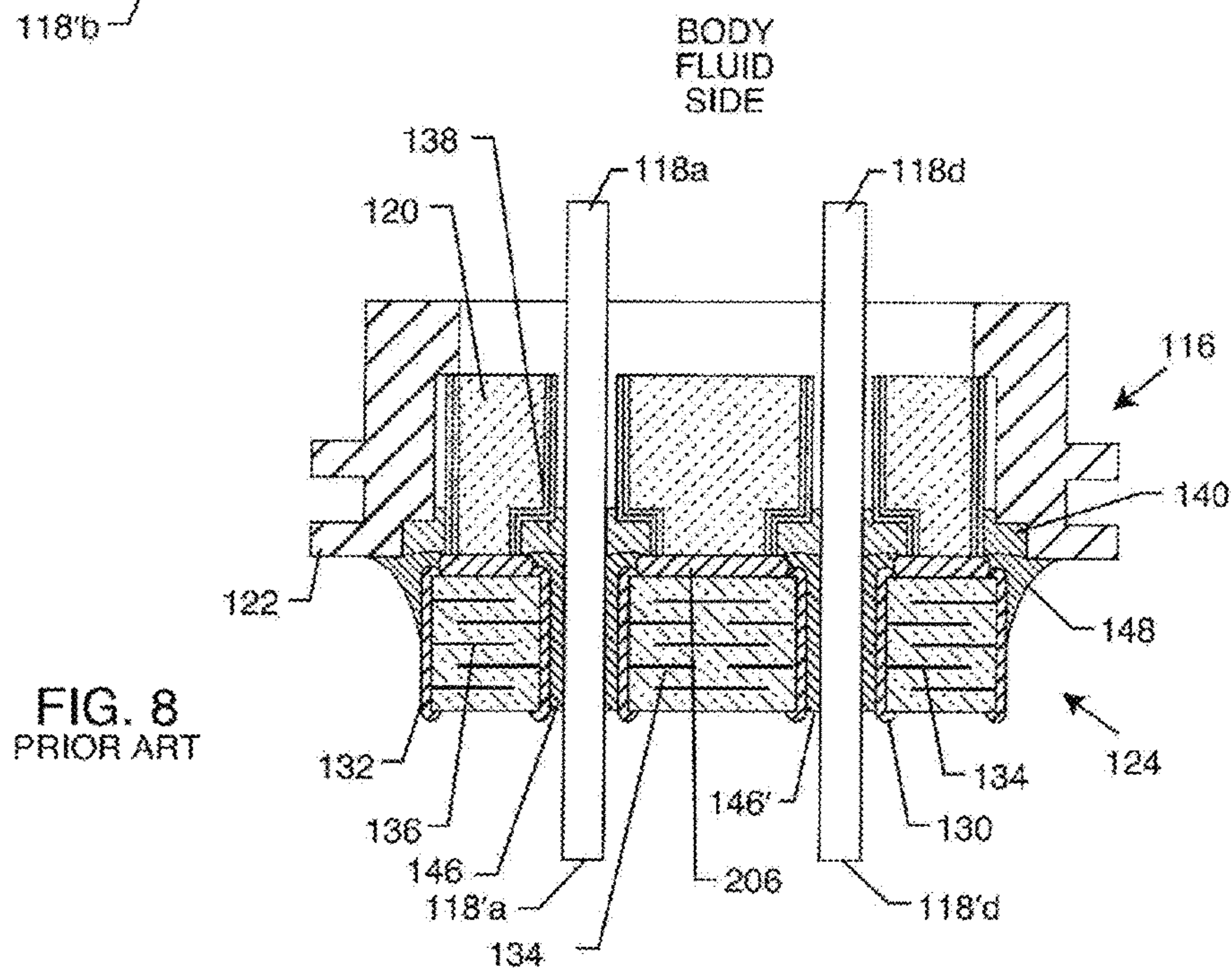


FIG. 8
PRIOR ART

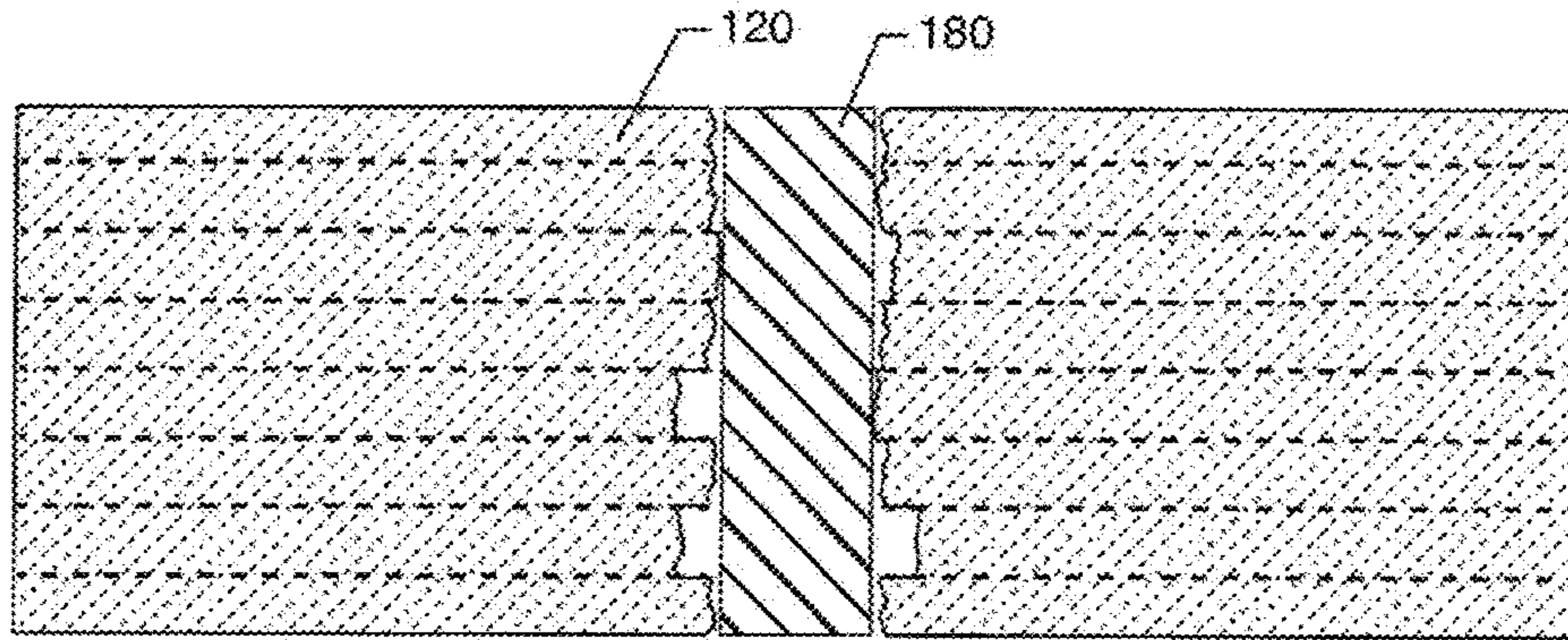


FIG. 9
PRIOR ART

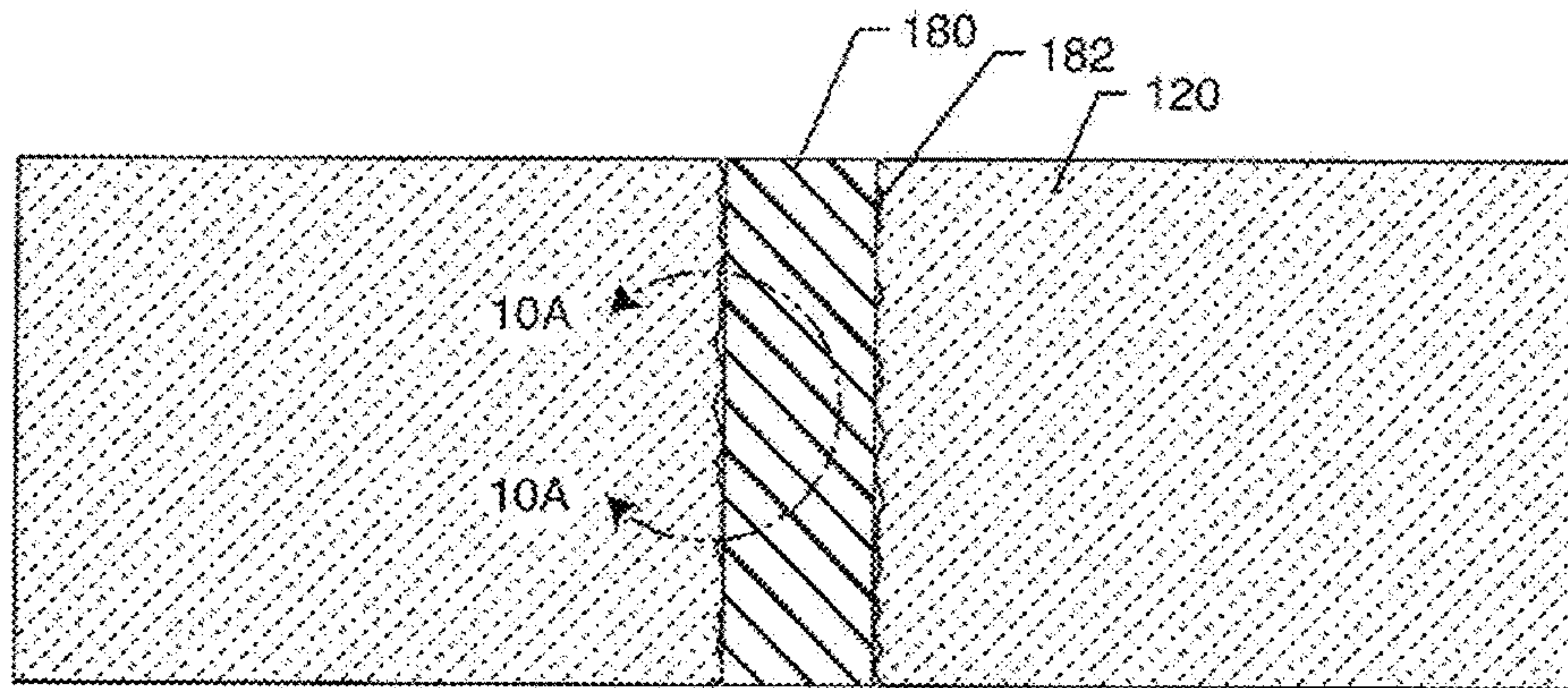


FIG. 10
PRIOR ART

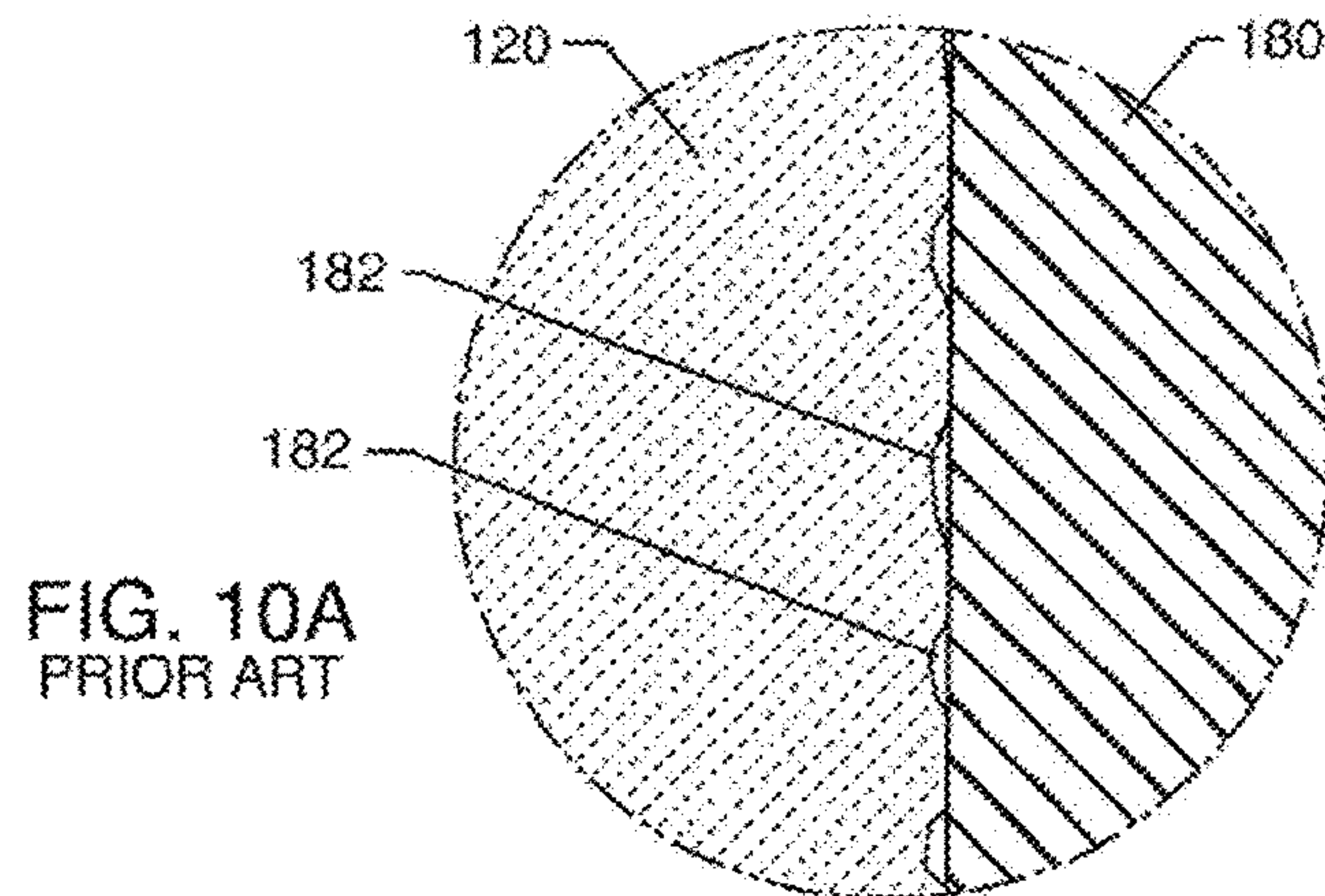


FIG. 10A
PRIOR ART

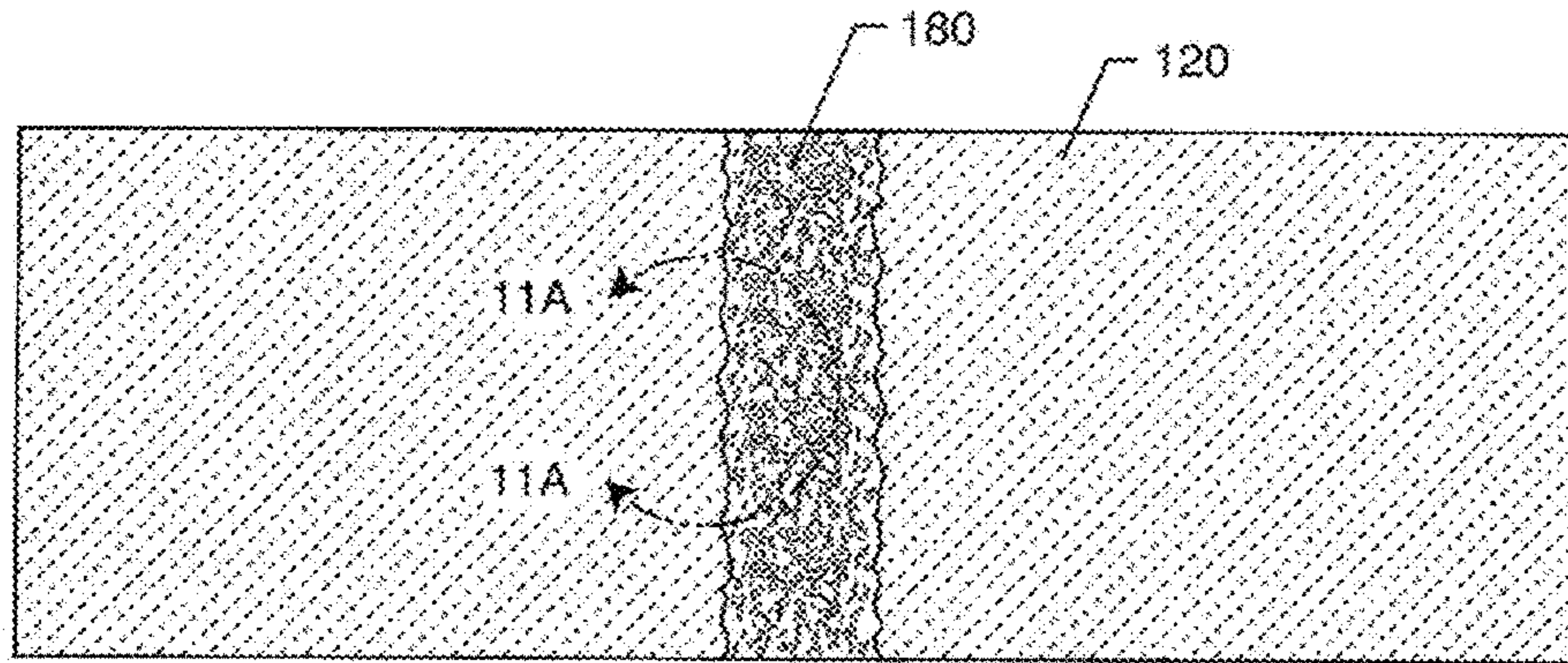


FIG. 11
PRIOR ART

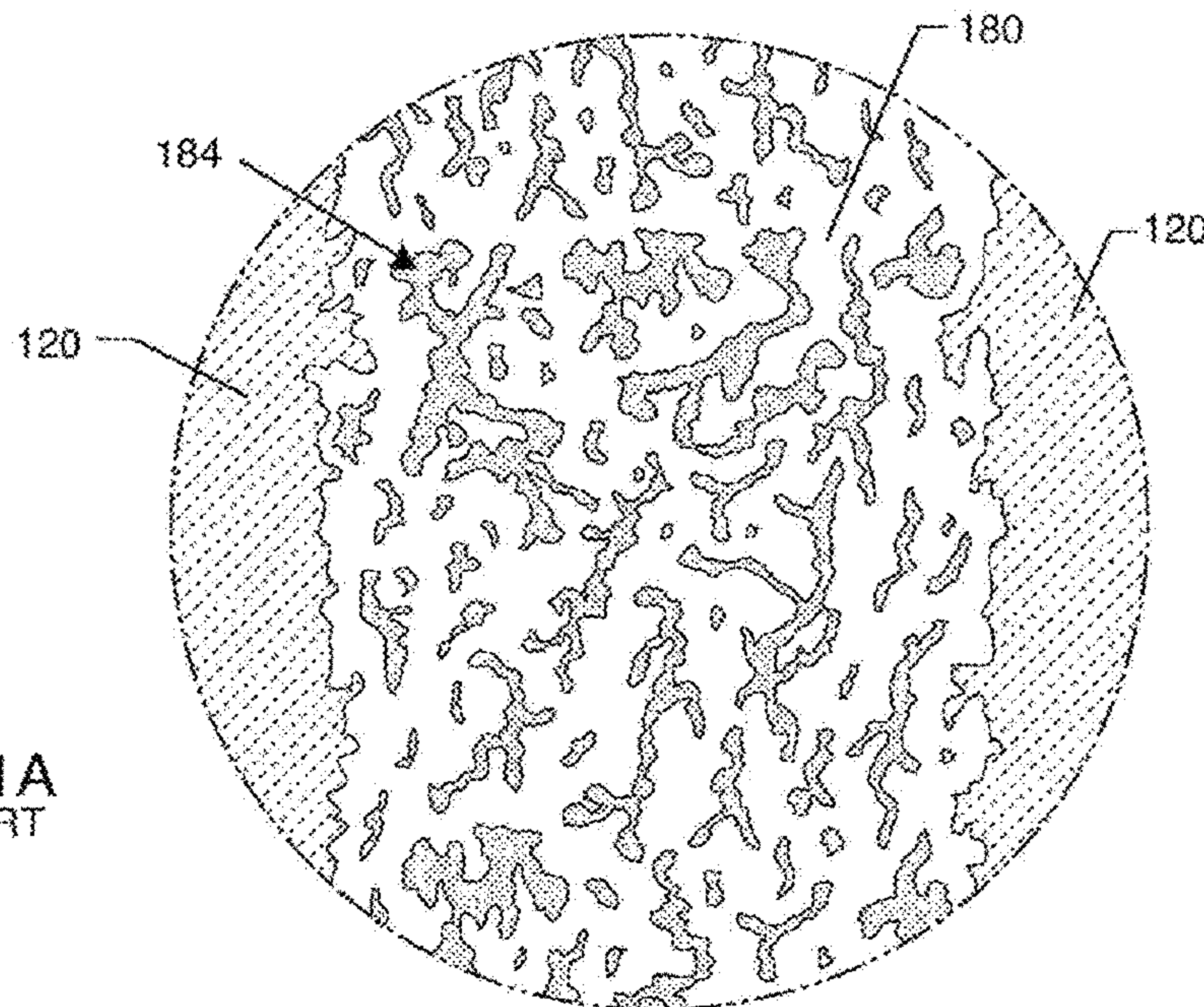


FIG. 11A
PRIOR ART

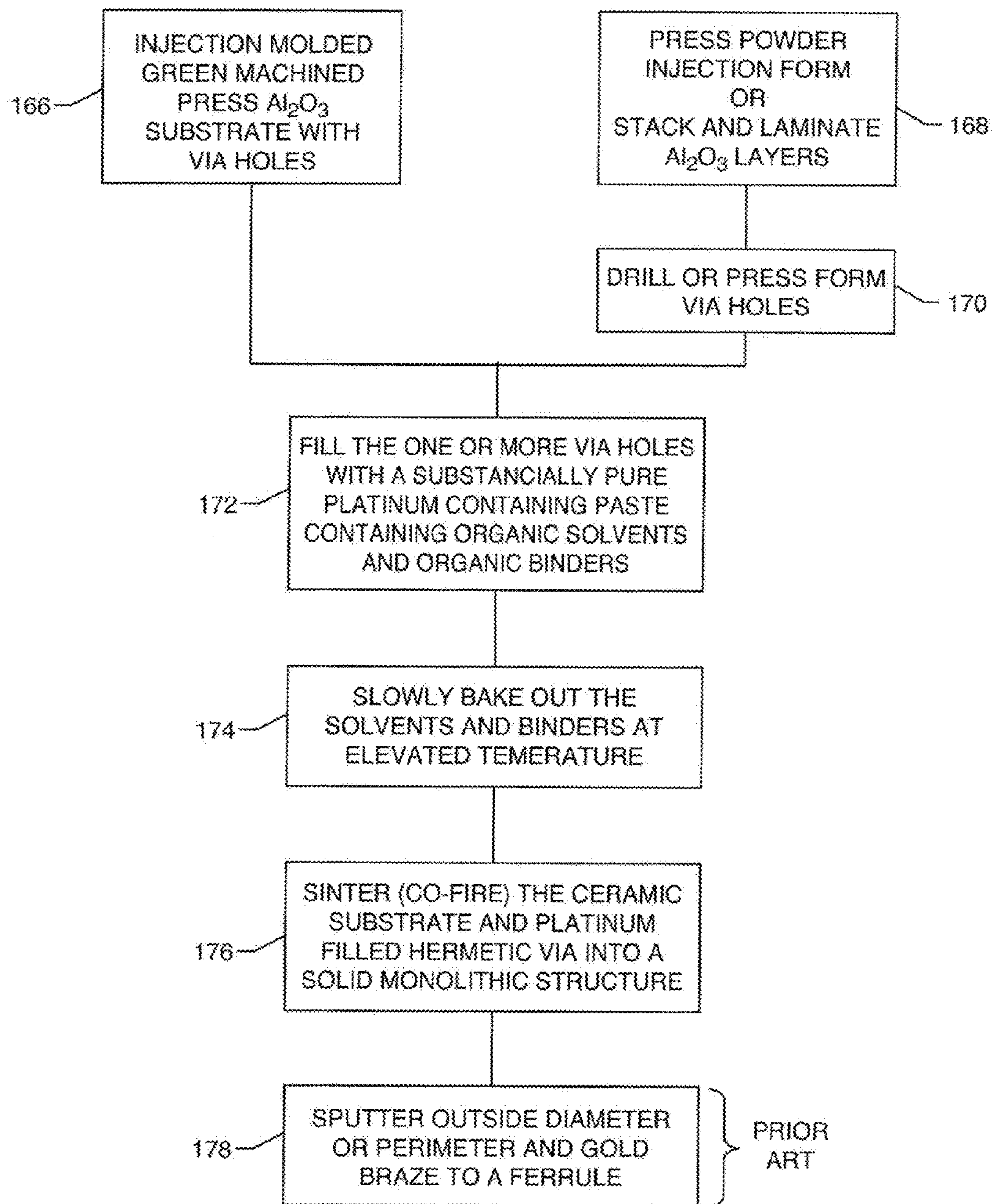


FIG. 12

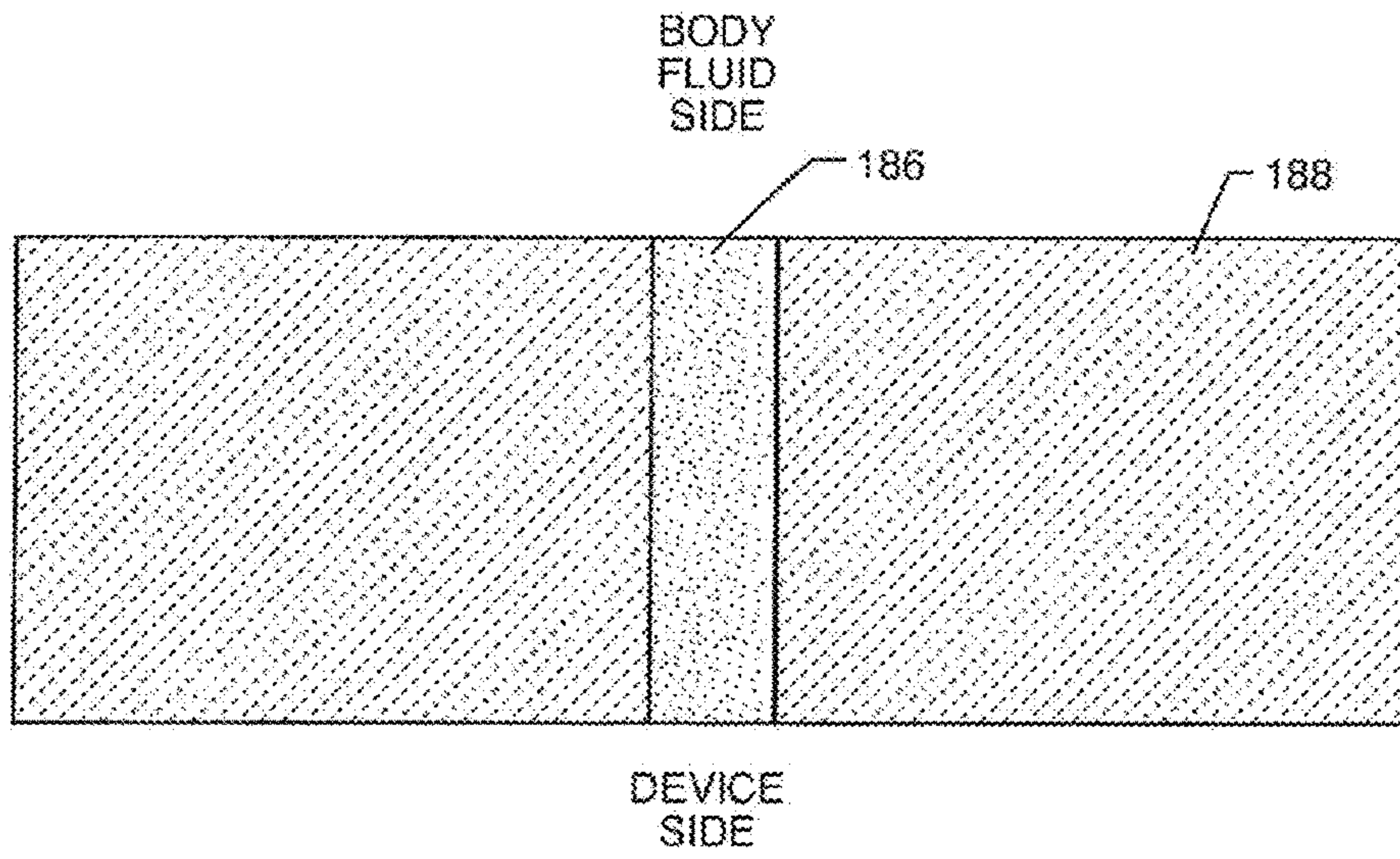


FIG. 13

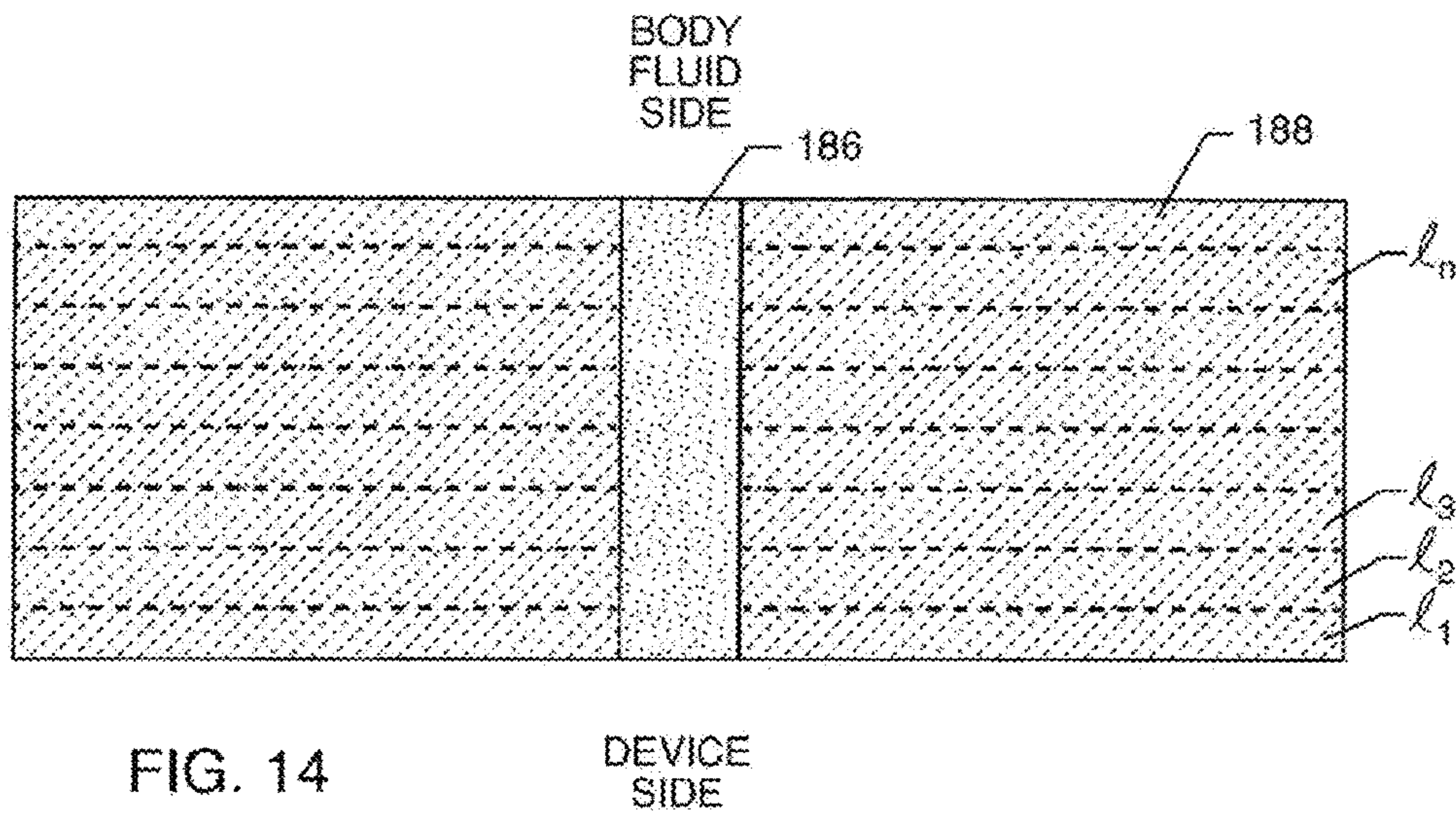


FIG. 14

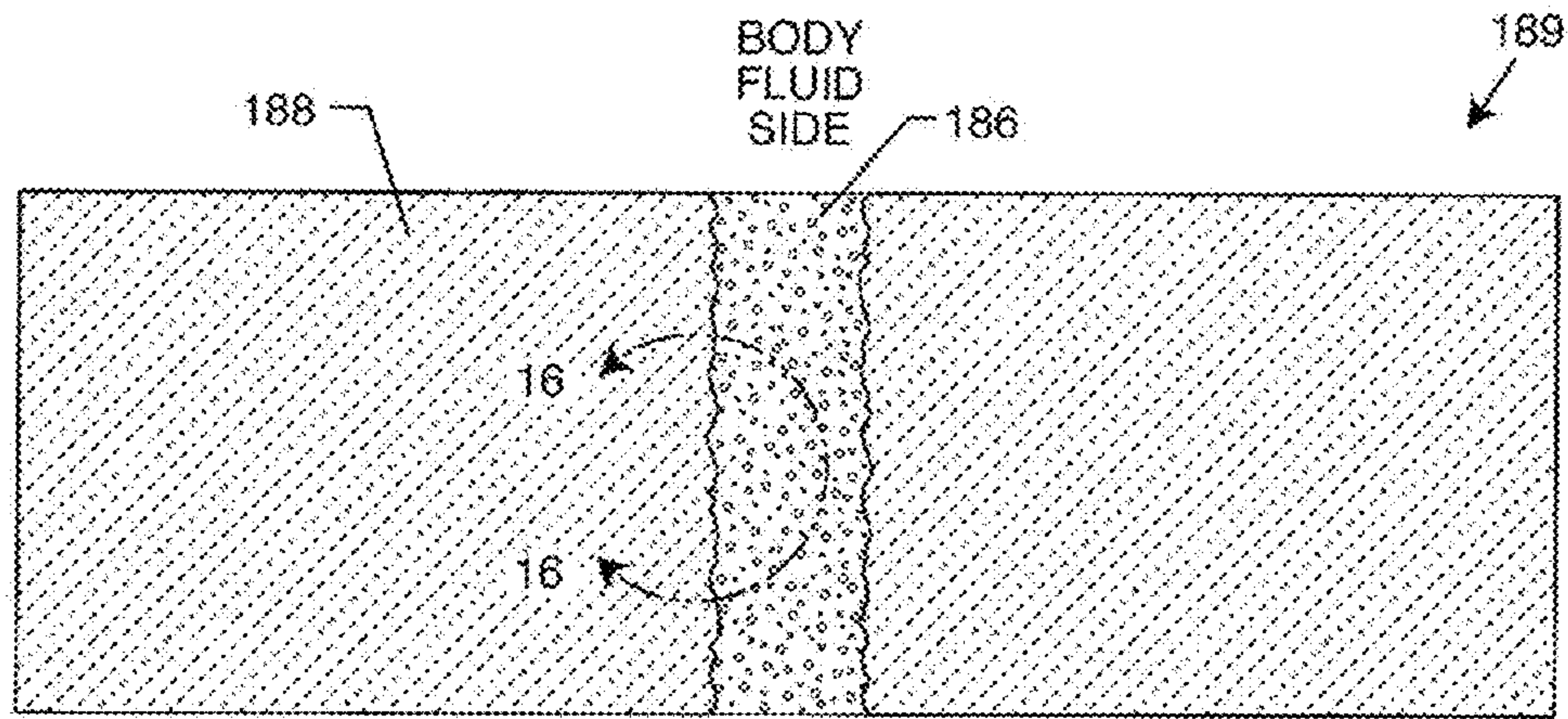


FIG. 15

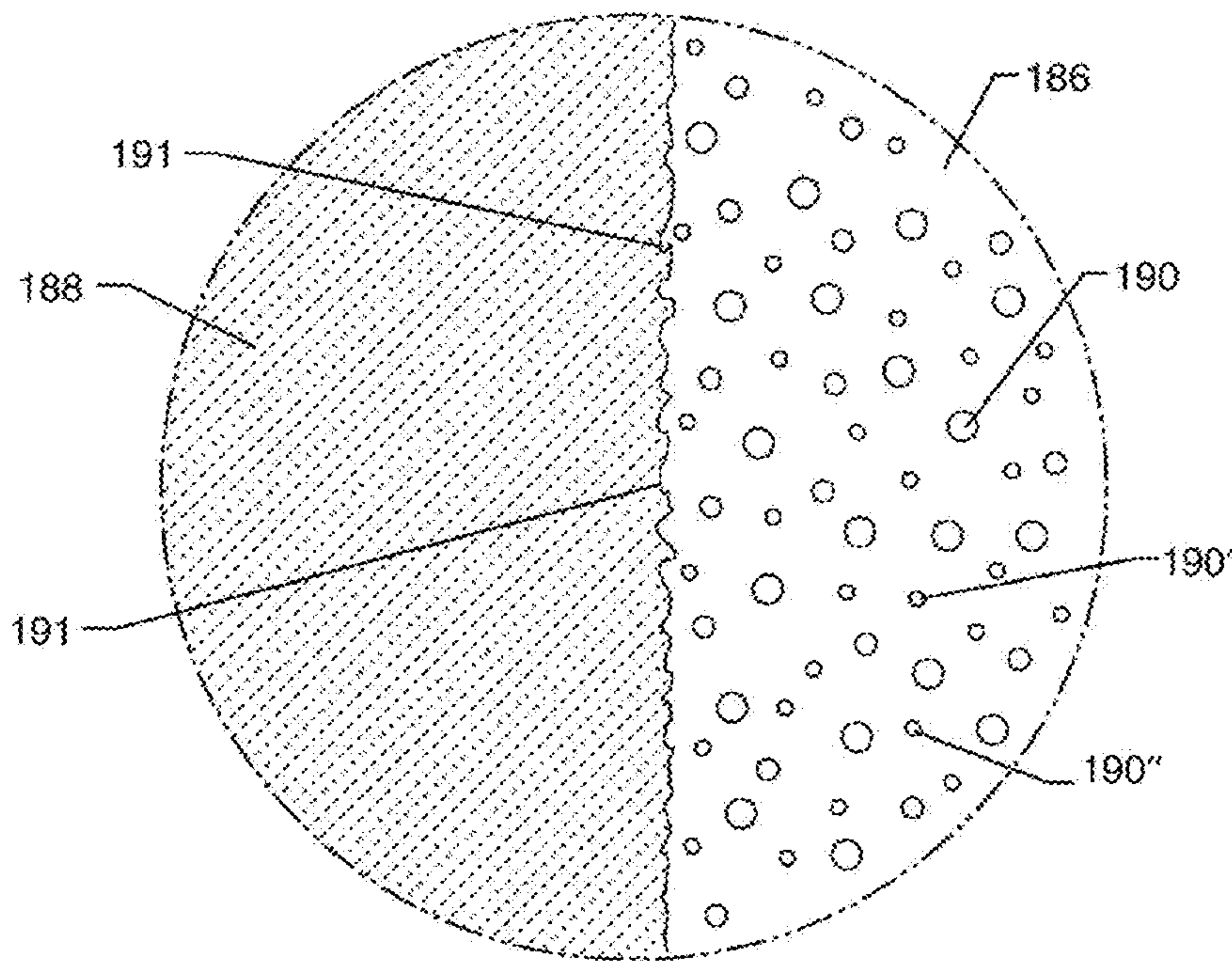


FIG. 16

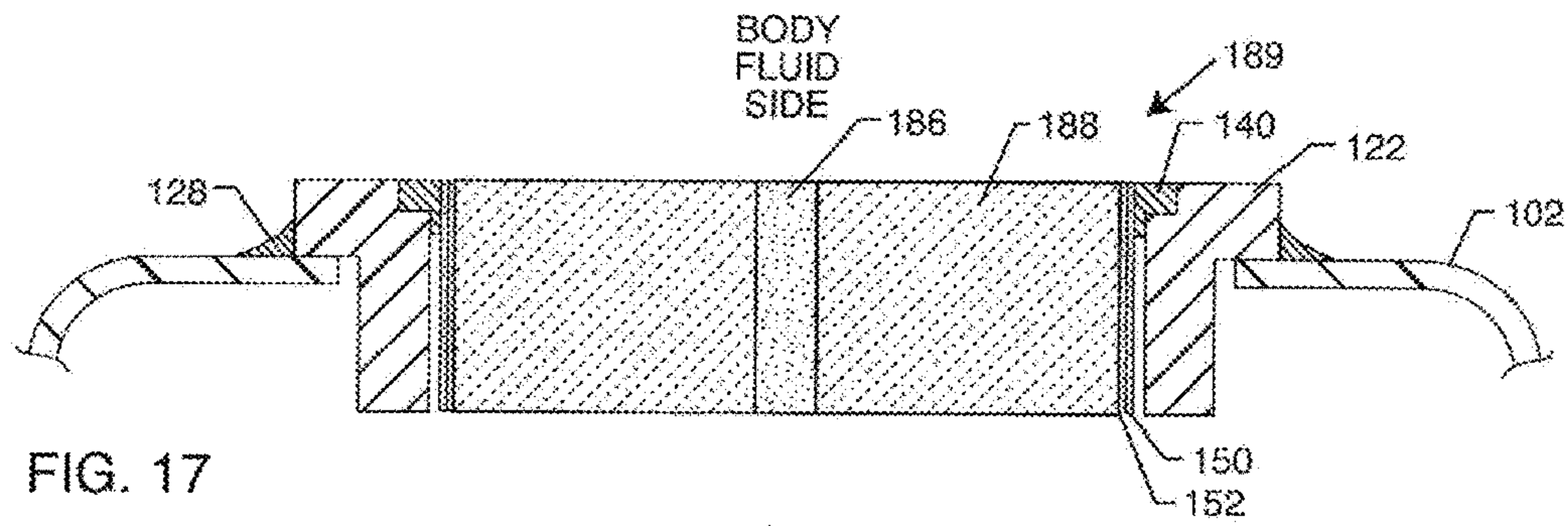


FIG. 17

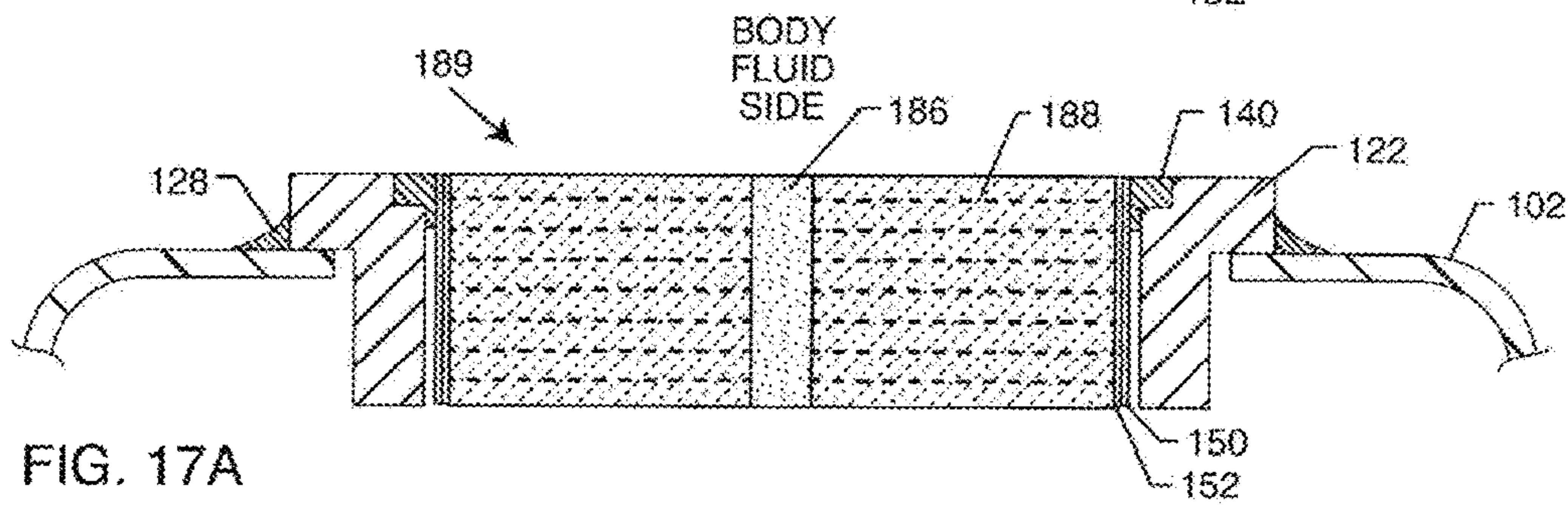


FIG. 17A

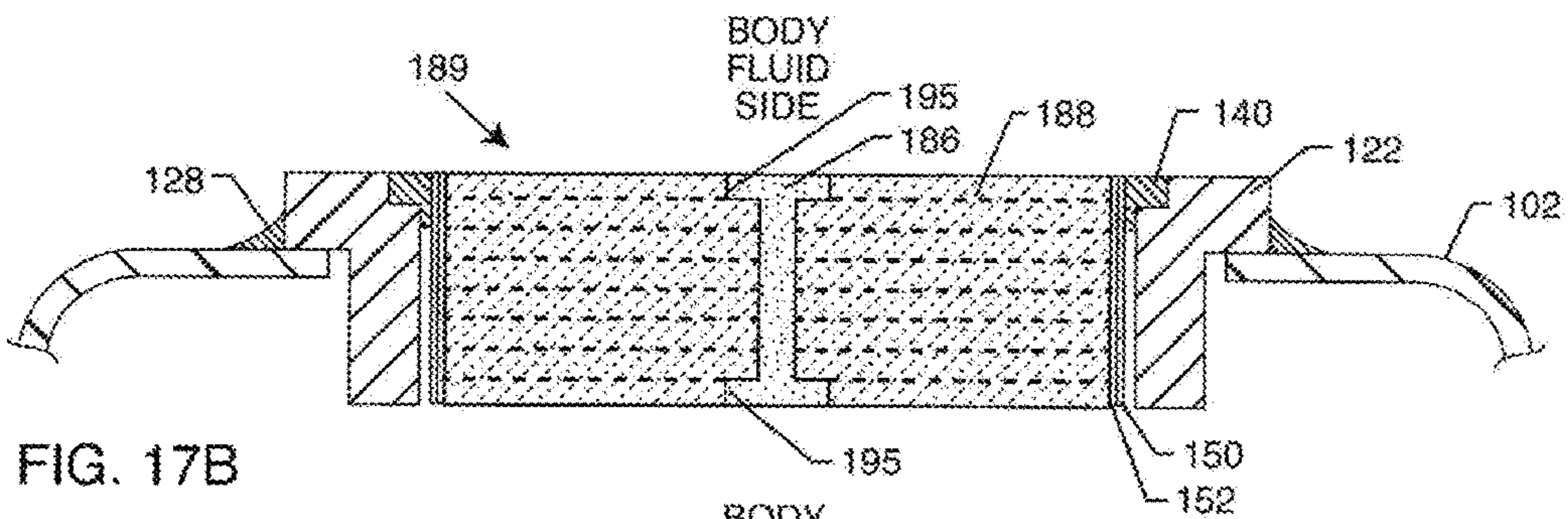


FIG. 17B

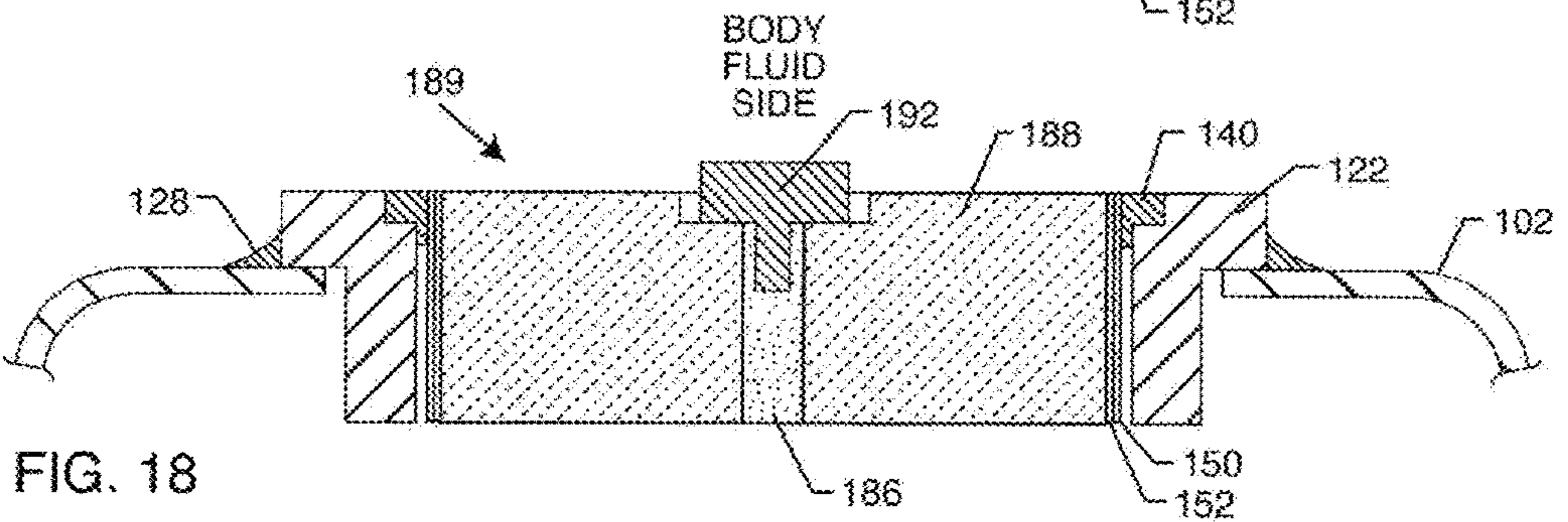


FIG. 18

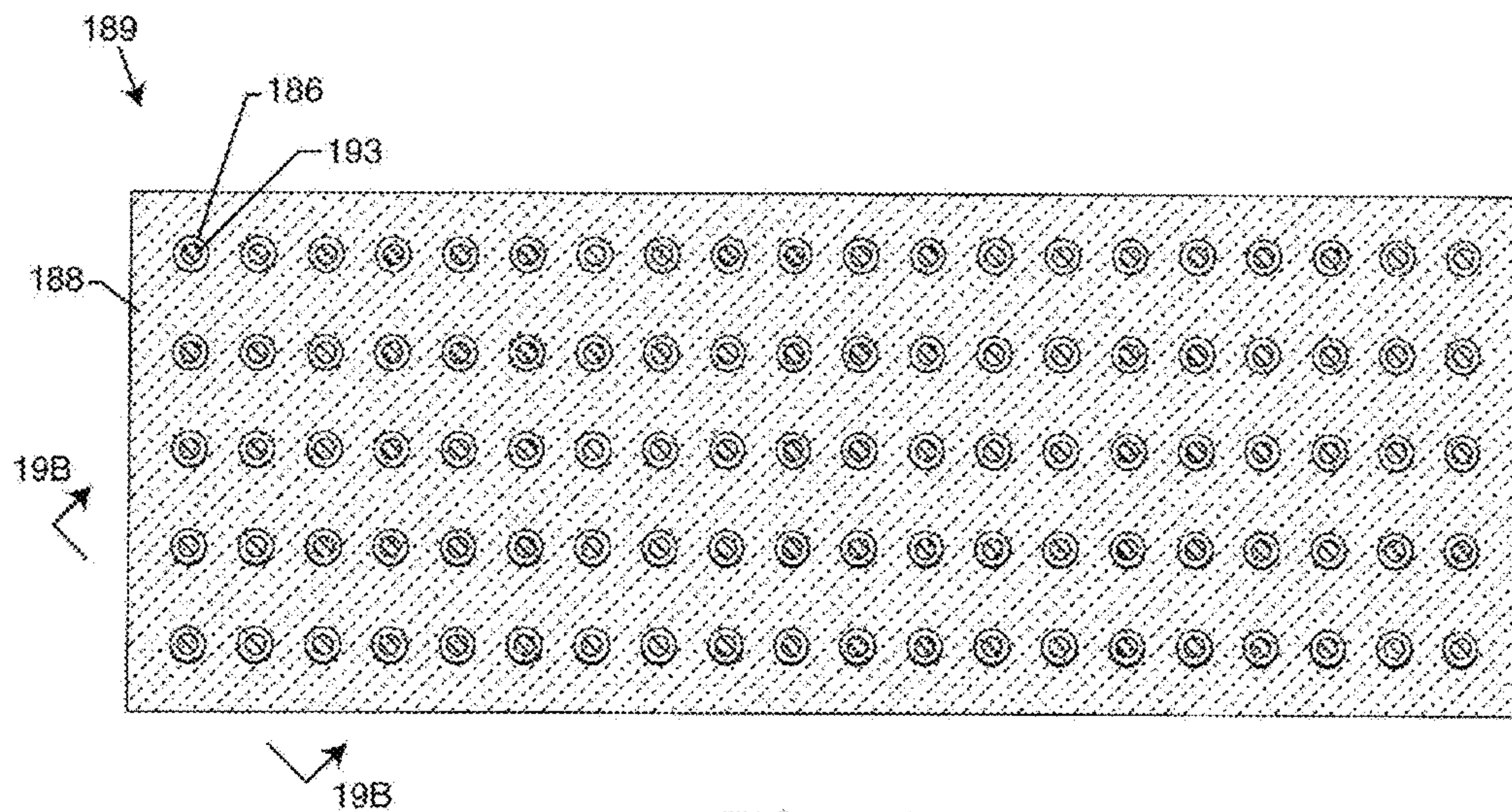


FIG. 19A

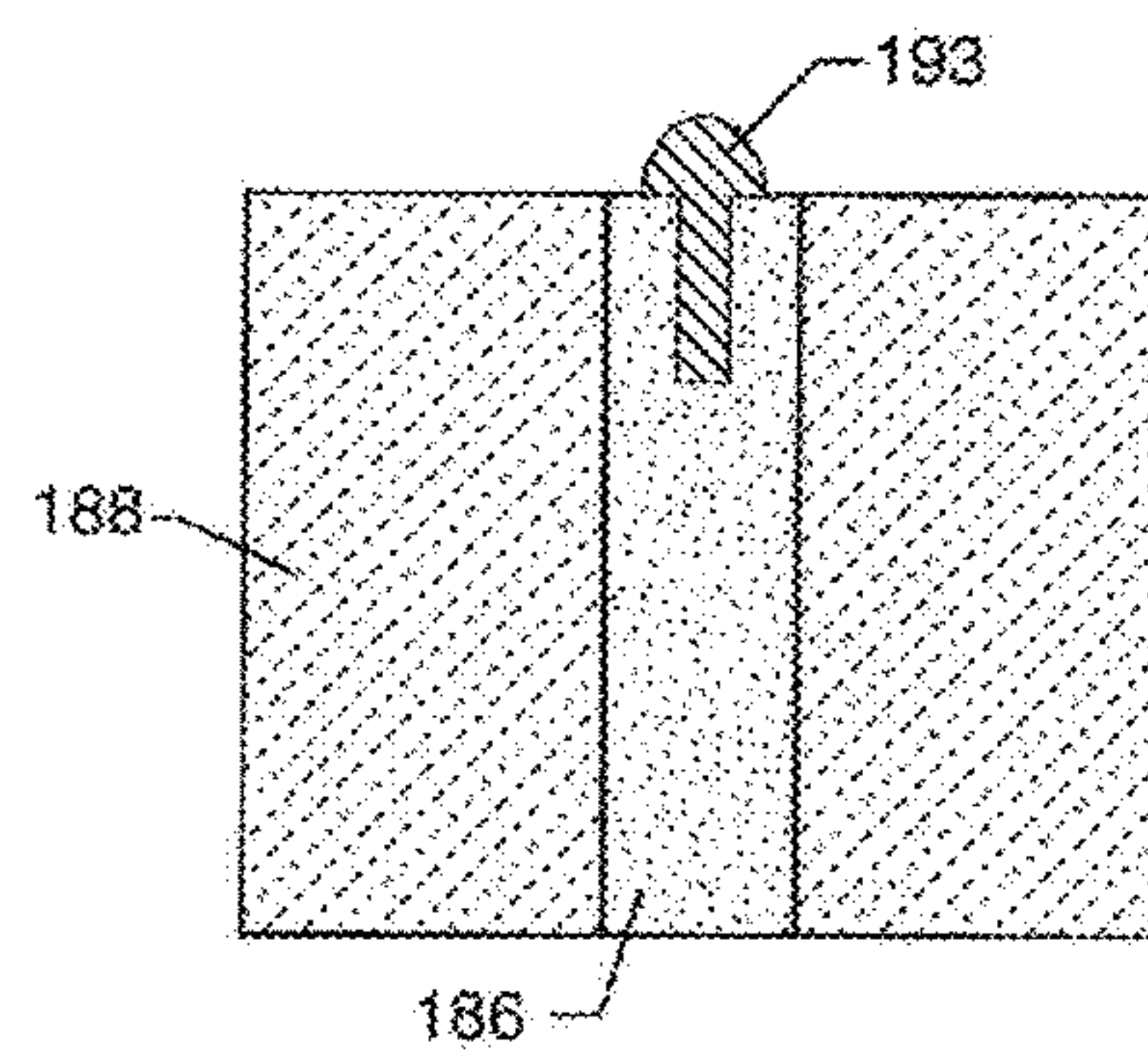


FIG. 19B

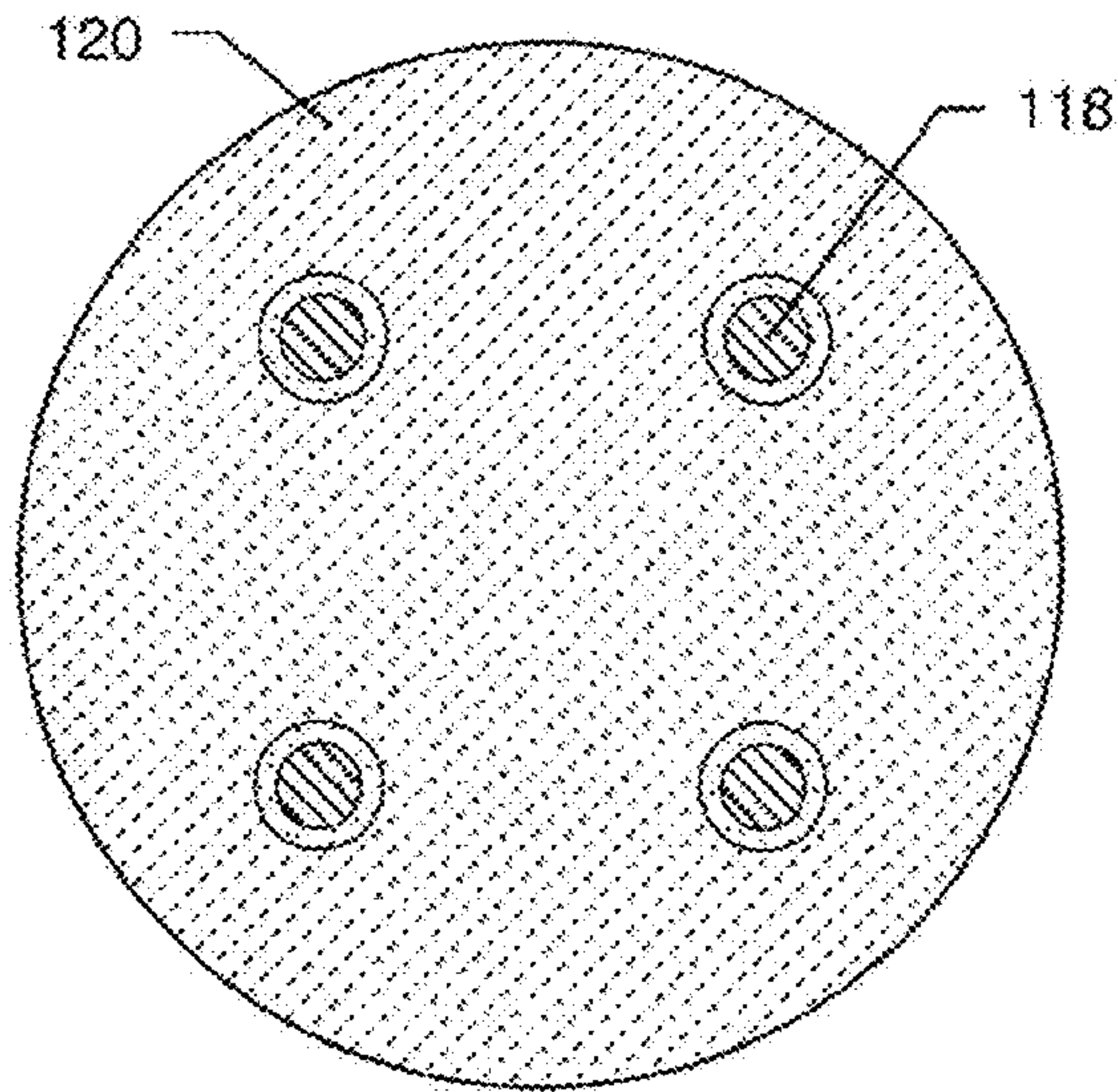


FIG. 19C
PRIOR ART

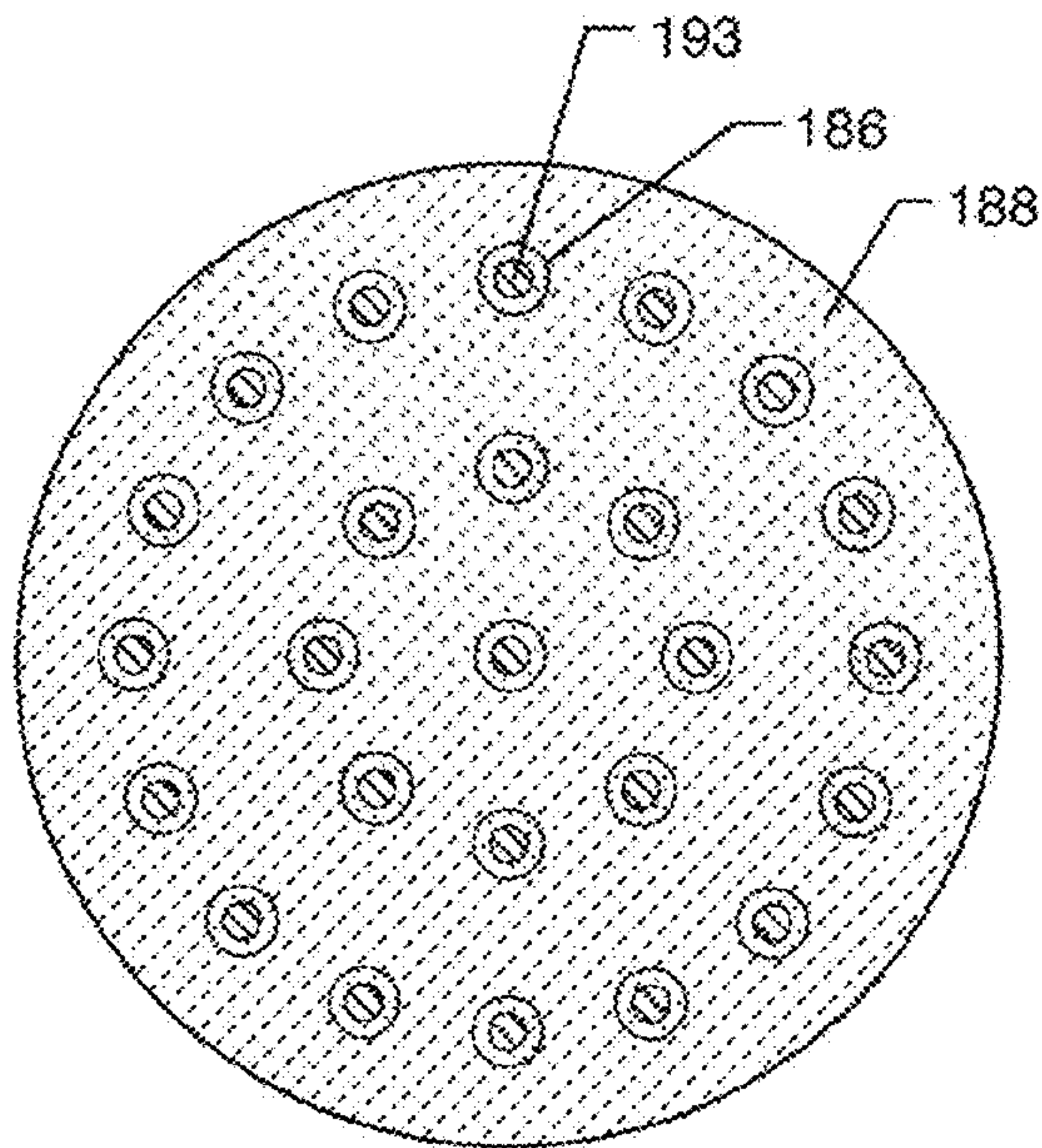
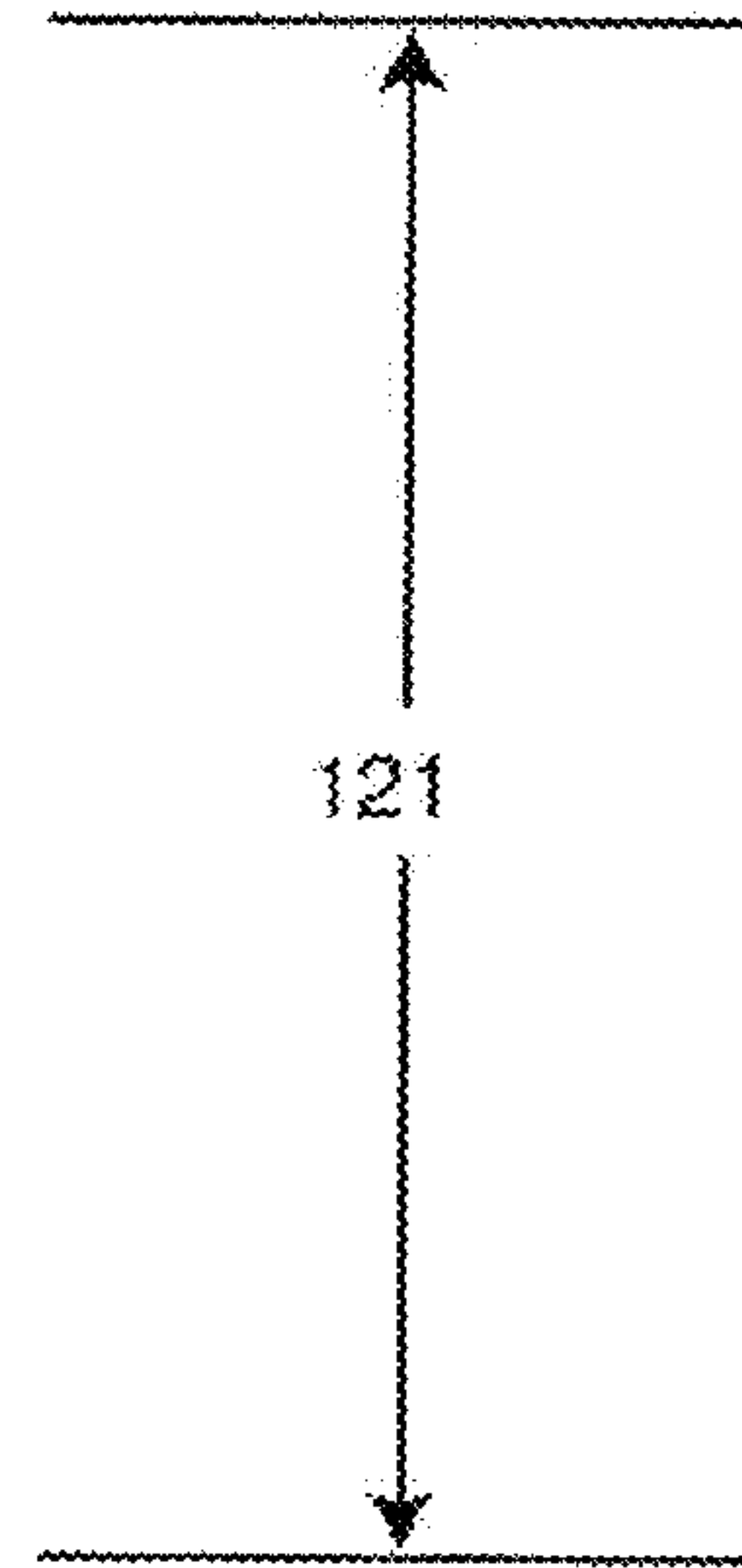
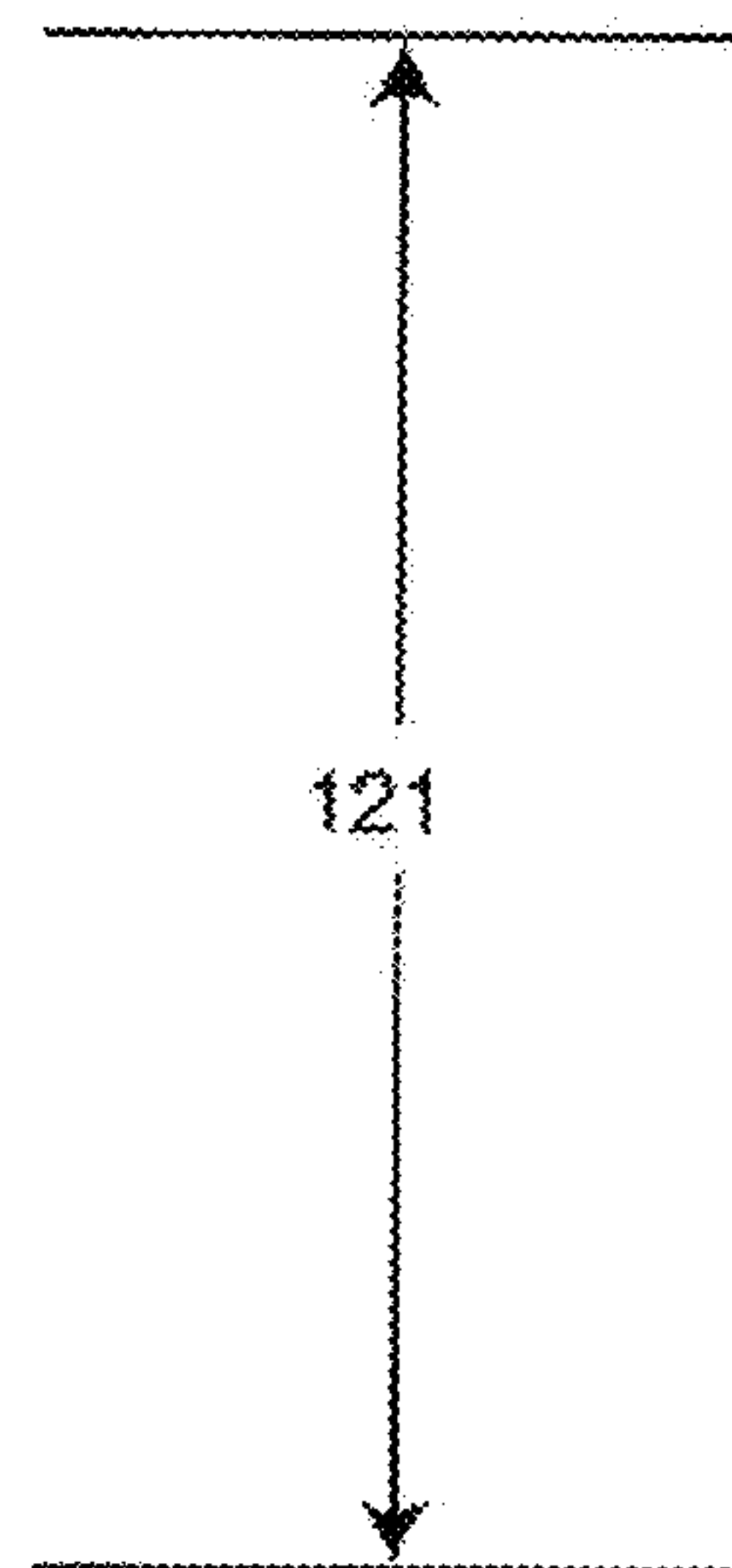


FIG. 19D



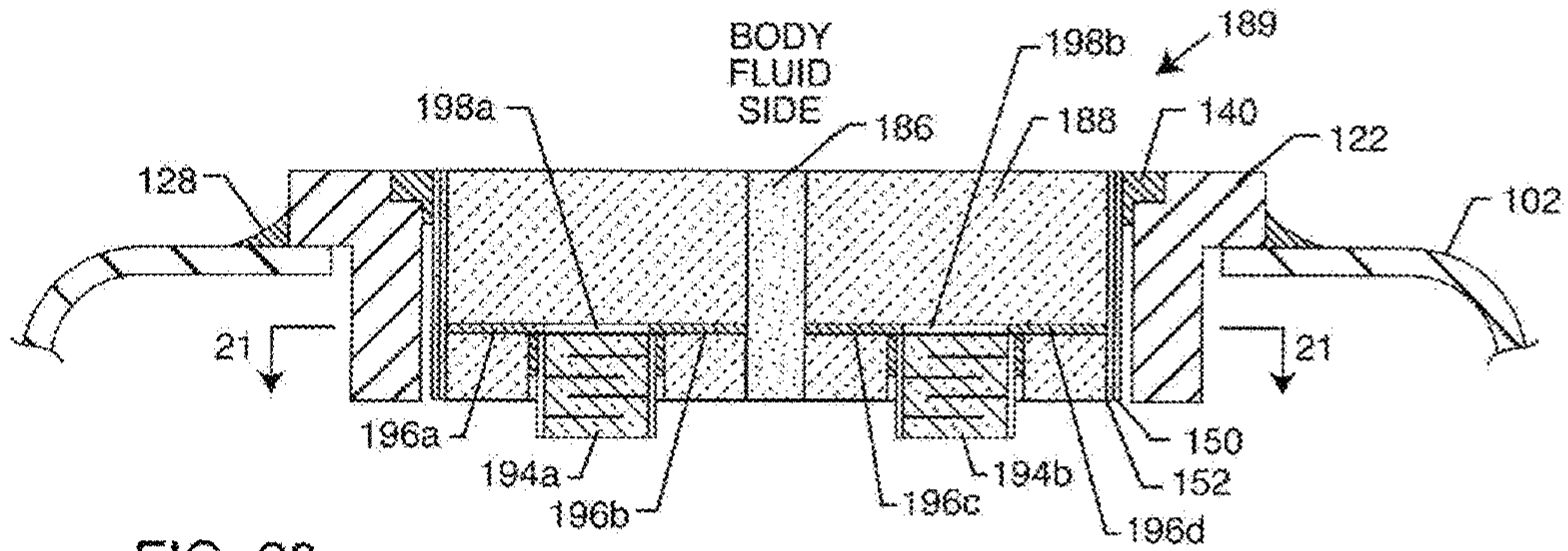


FIG. 20

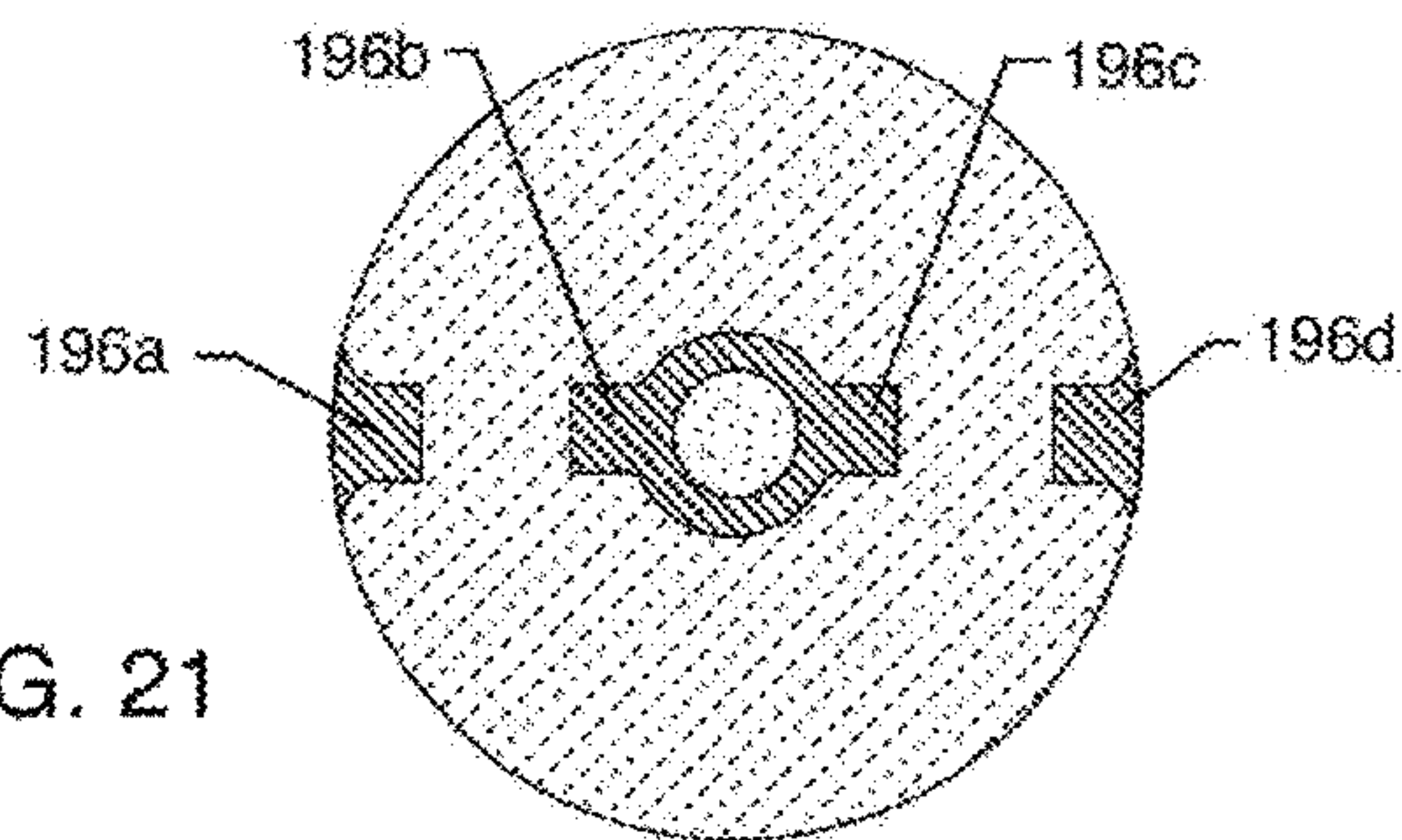


FIG. 21

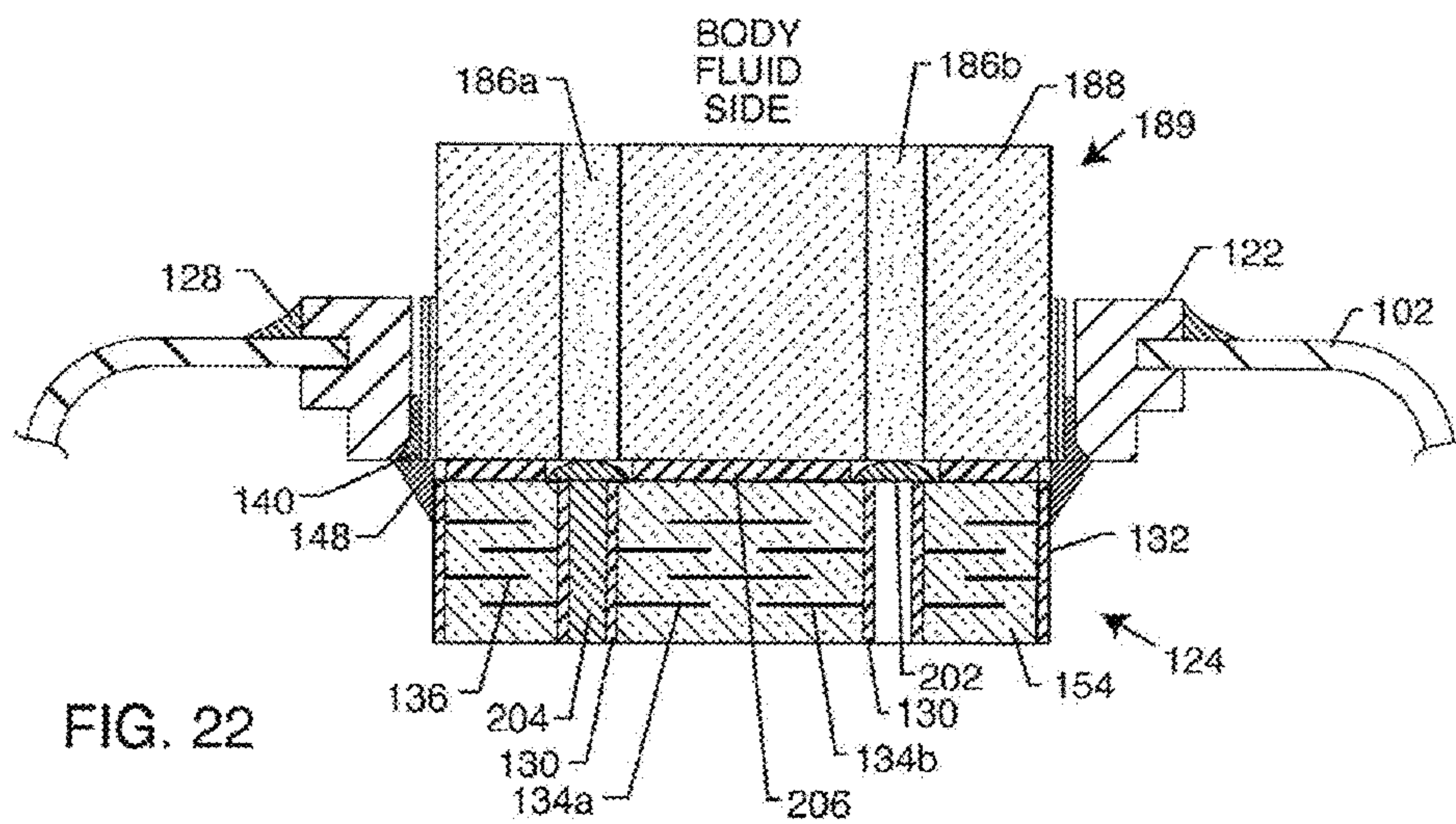


FIG. 22

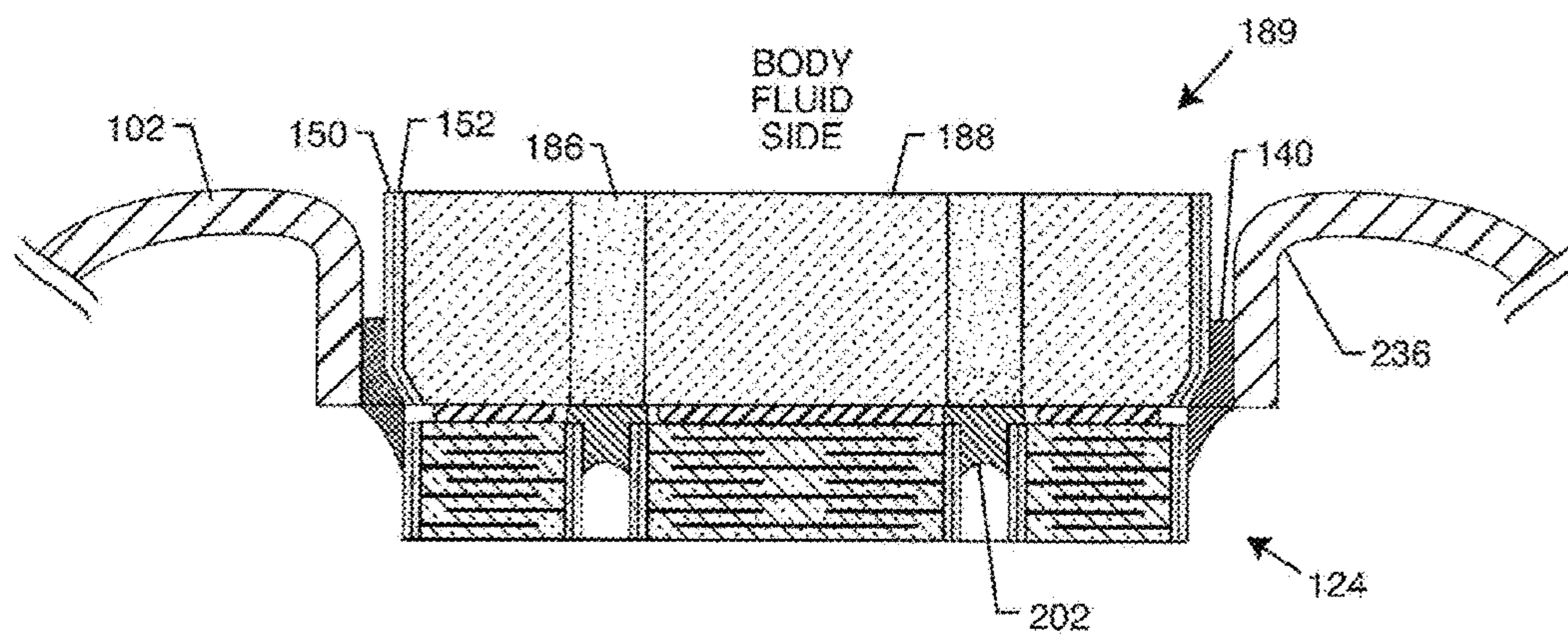


FIG. 22A

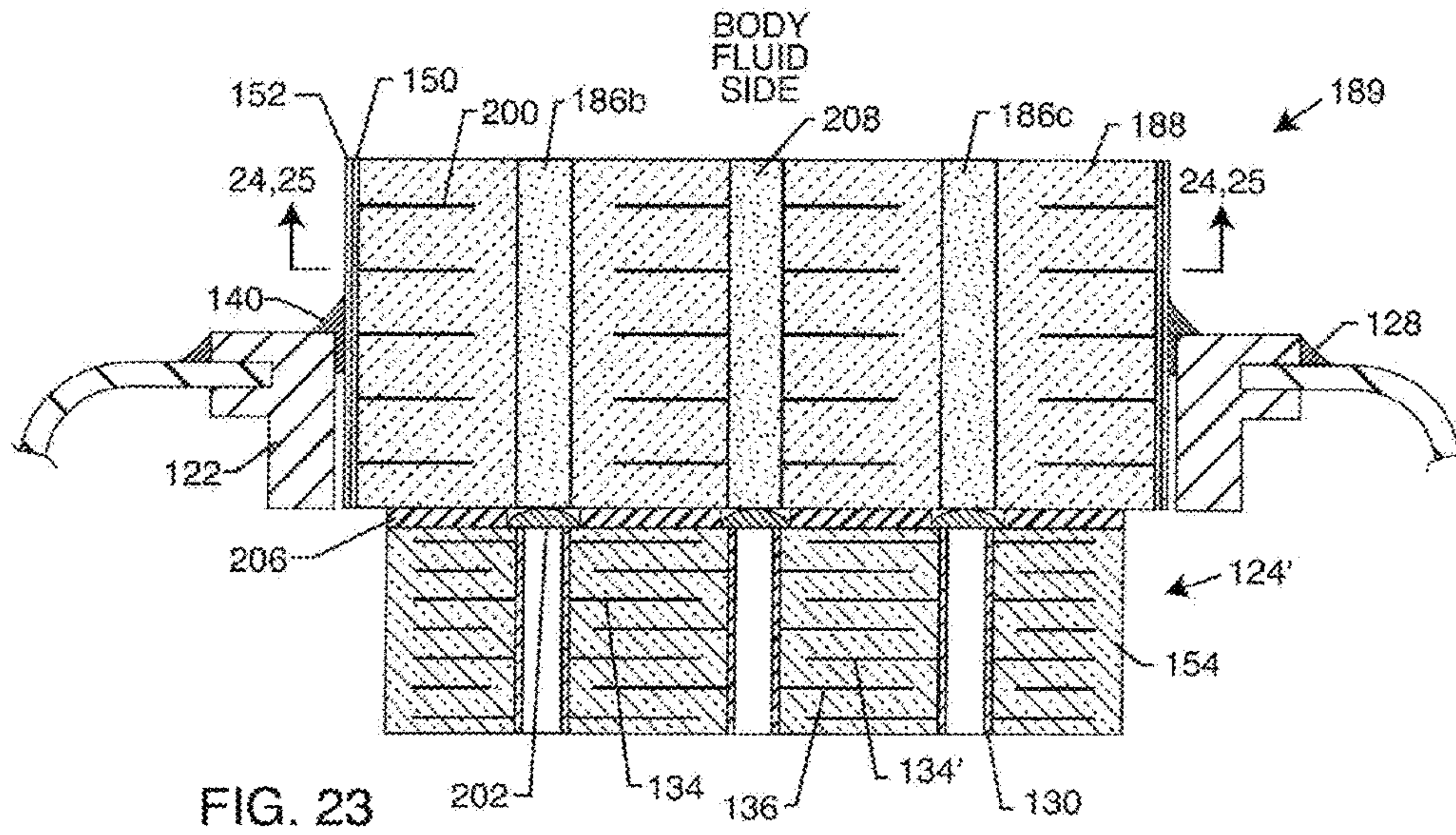


FIG. 23

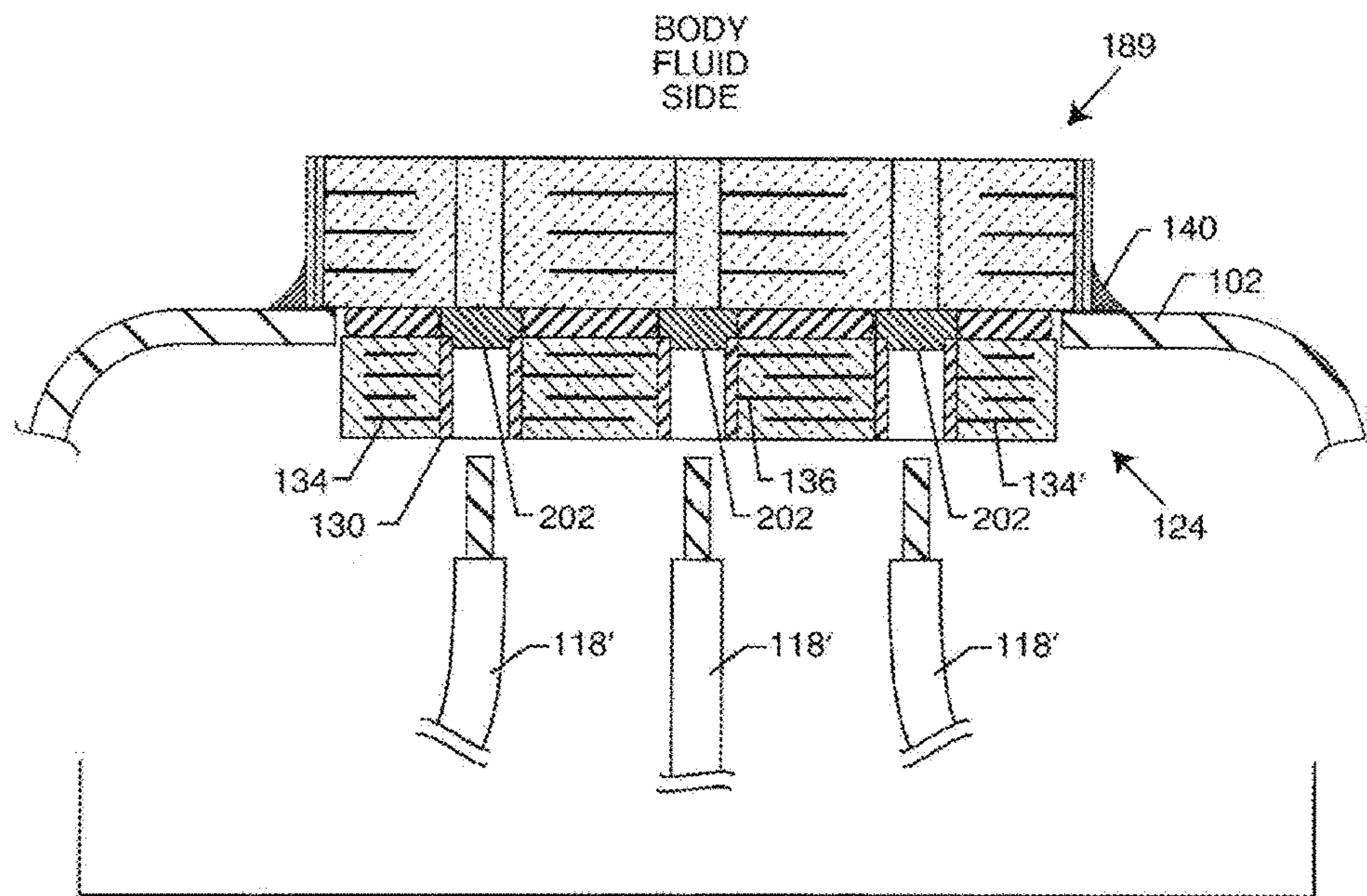
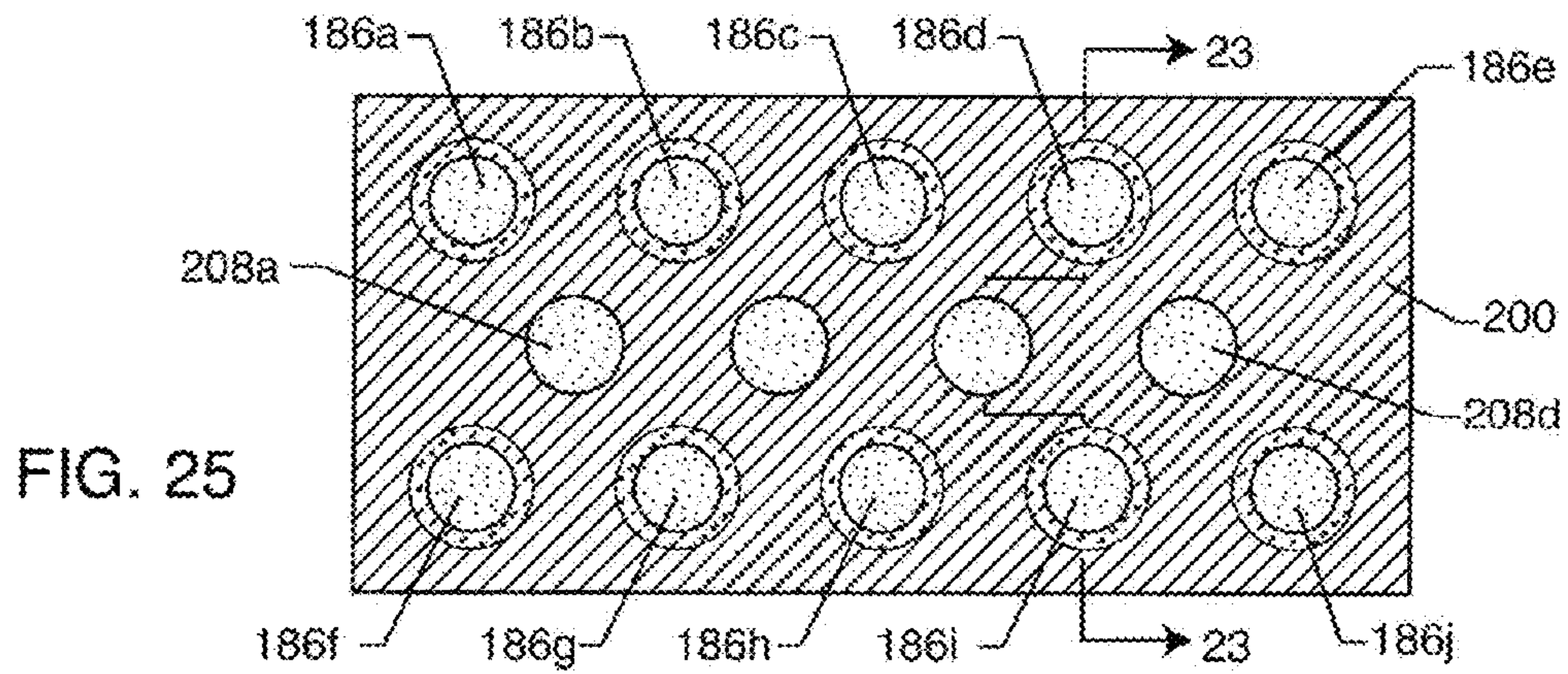
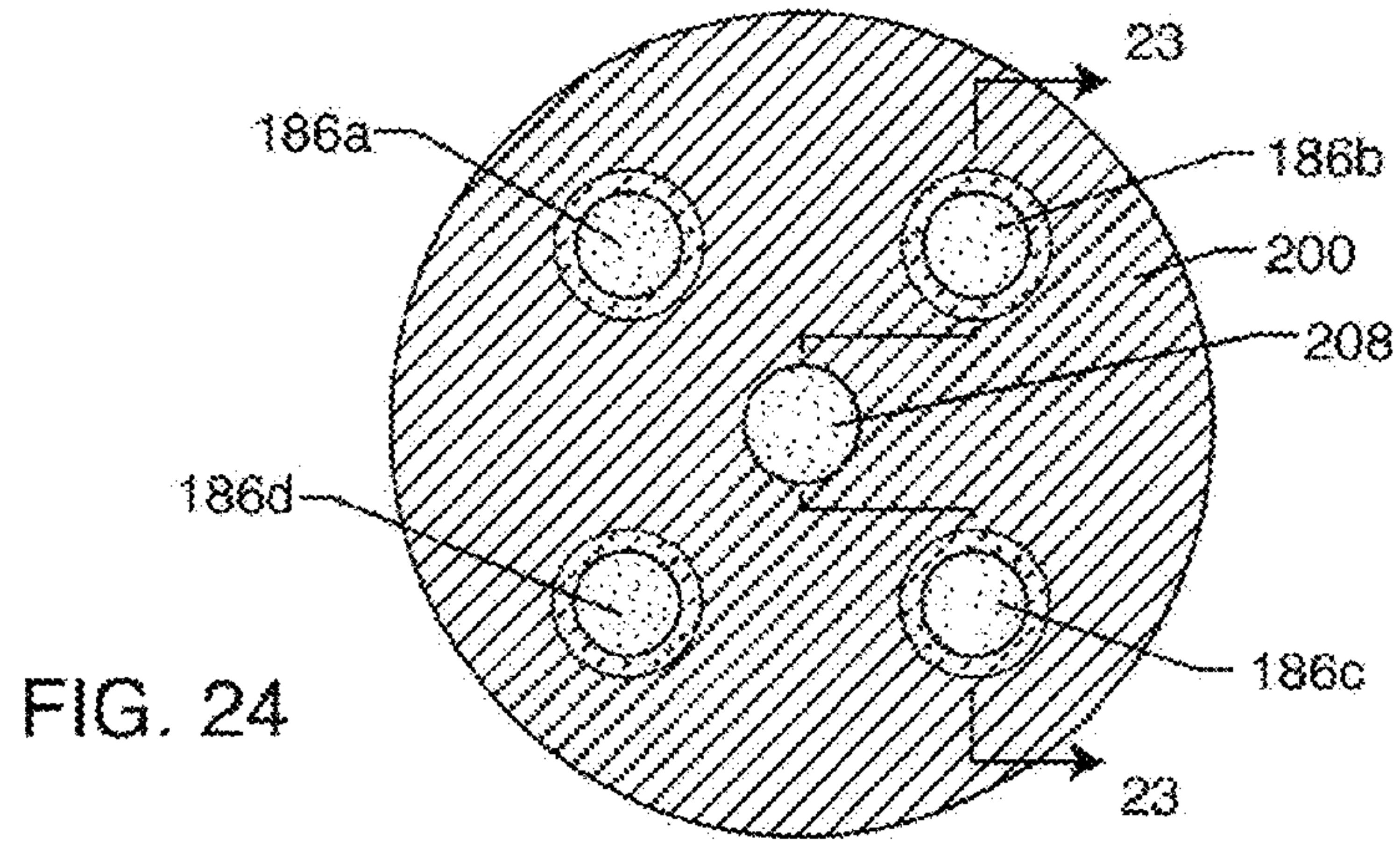


FIG. 23A



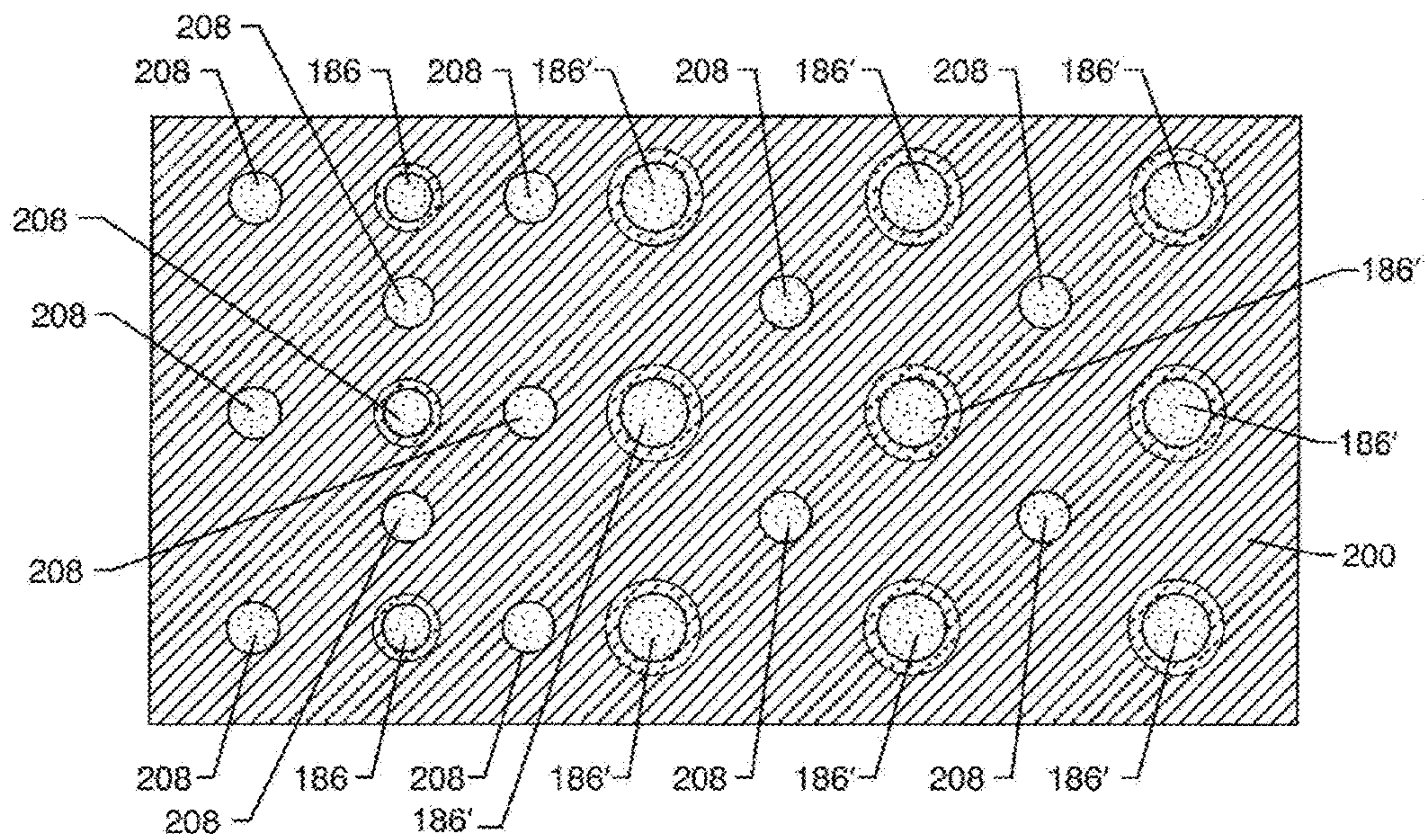


FIG. 26

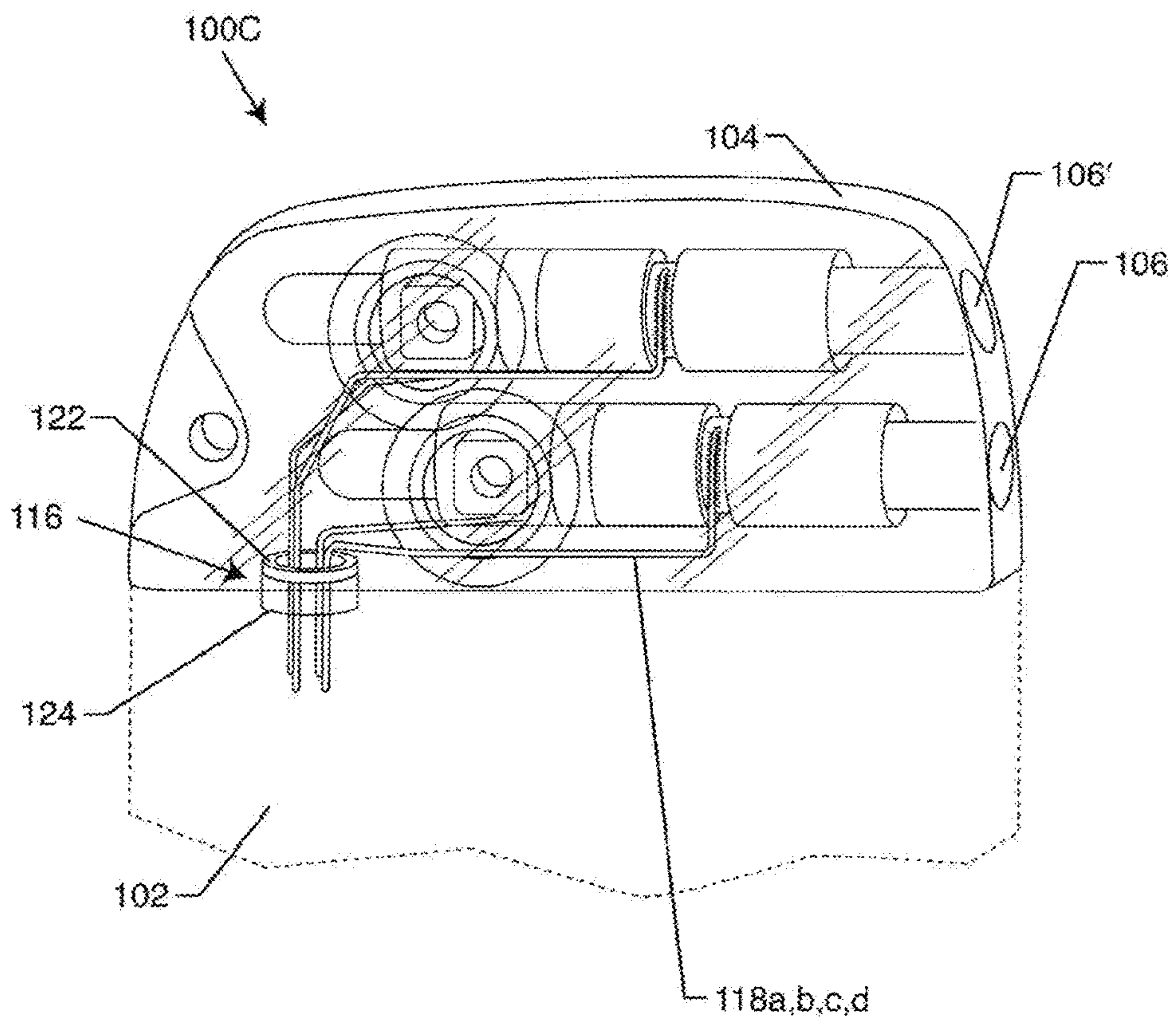


FIG. 27
PRIOR ART

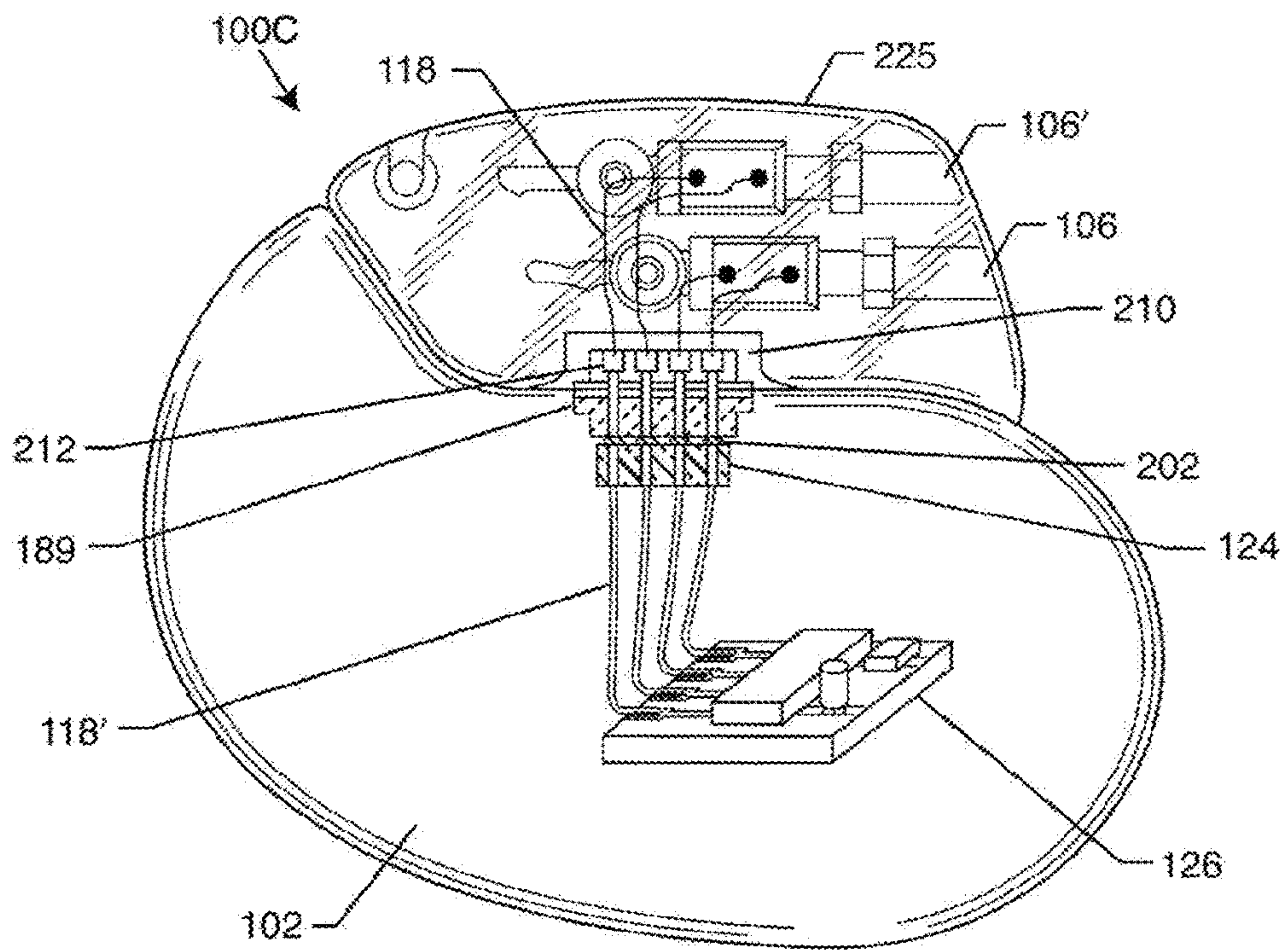


FIG. 28

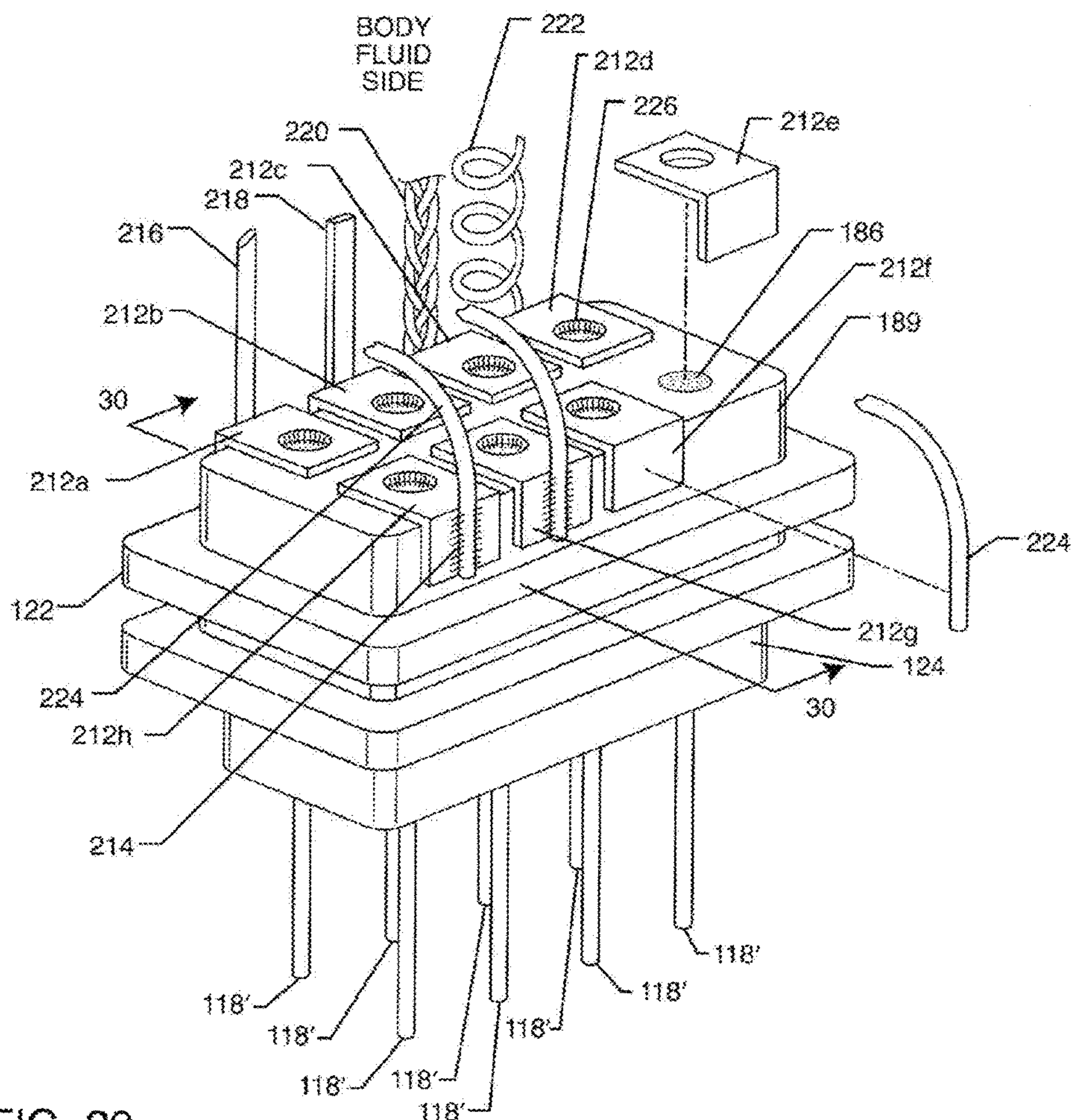


FIG. 29

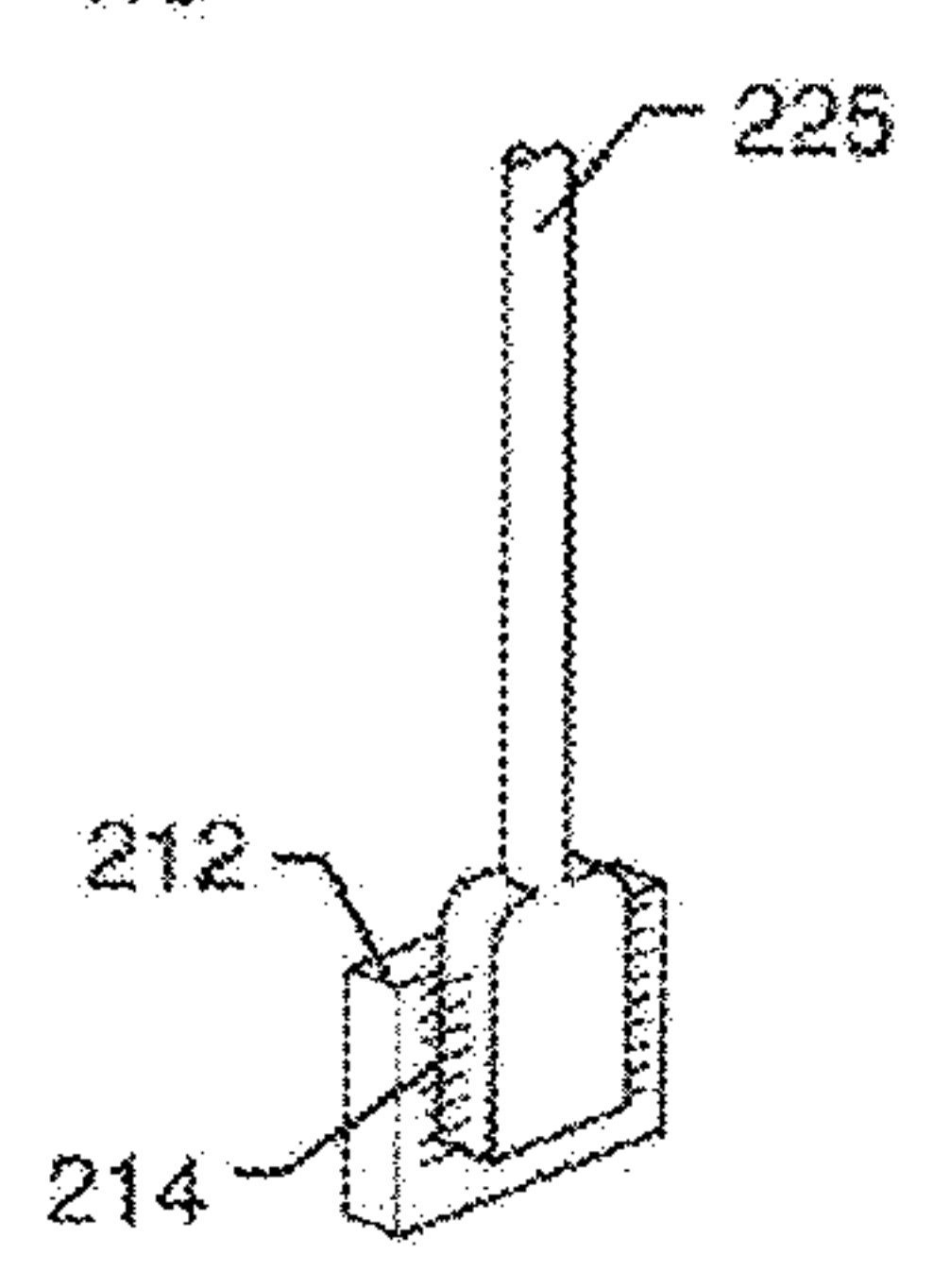


FIG. 29A

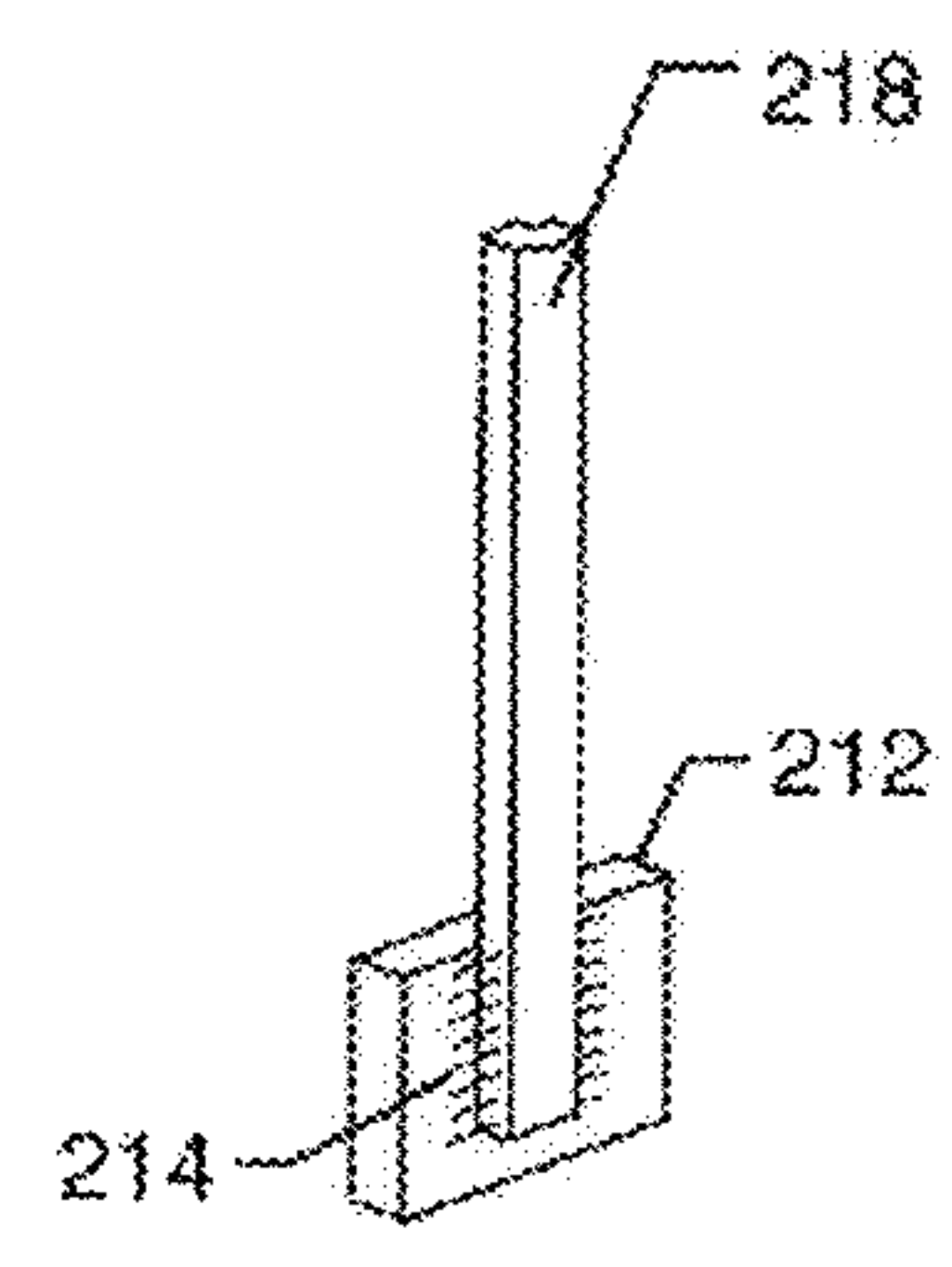


FIG. 29B

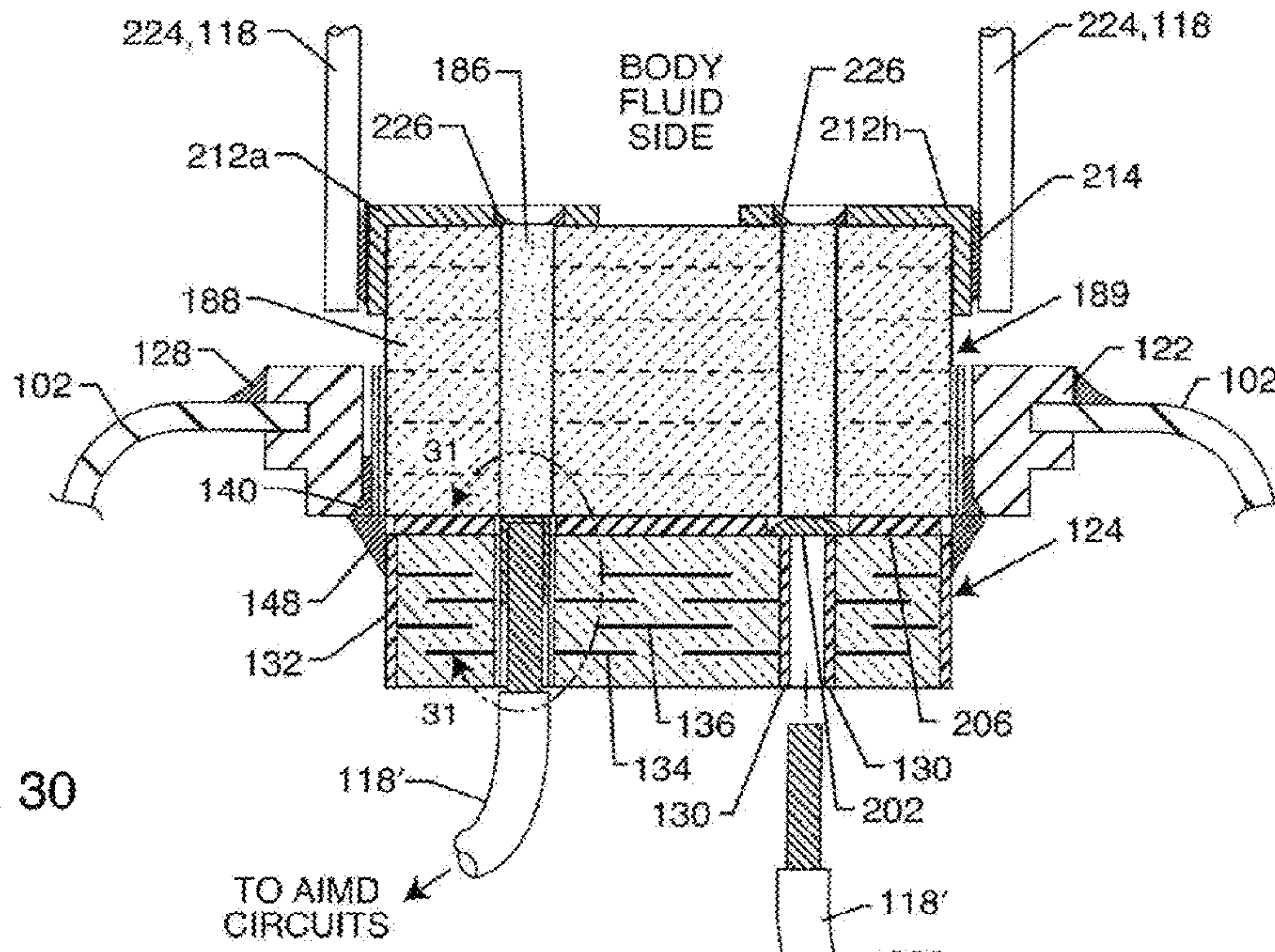


FIG. 30

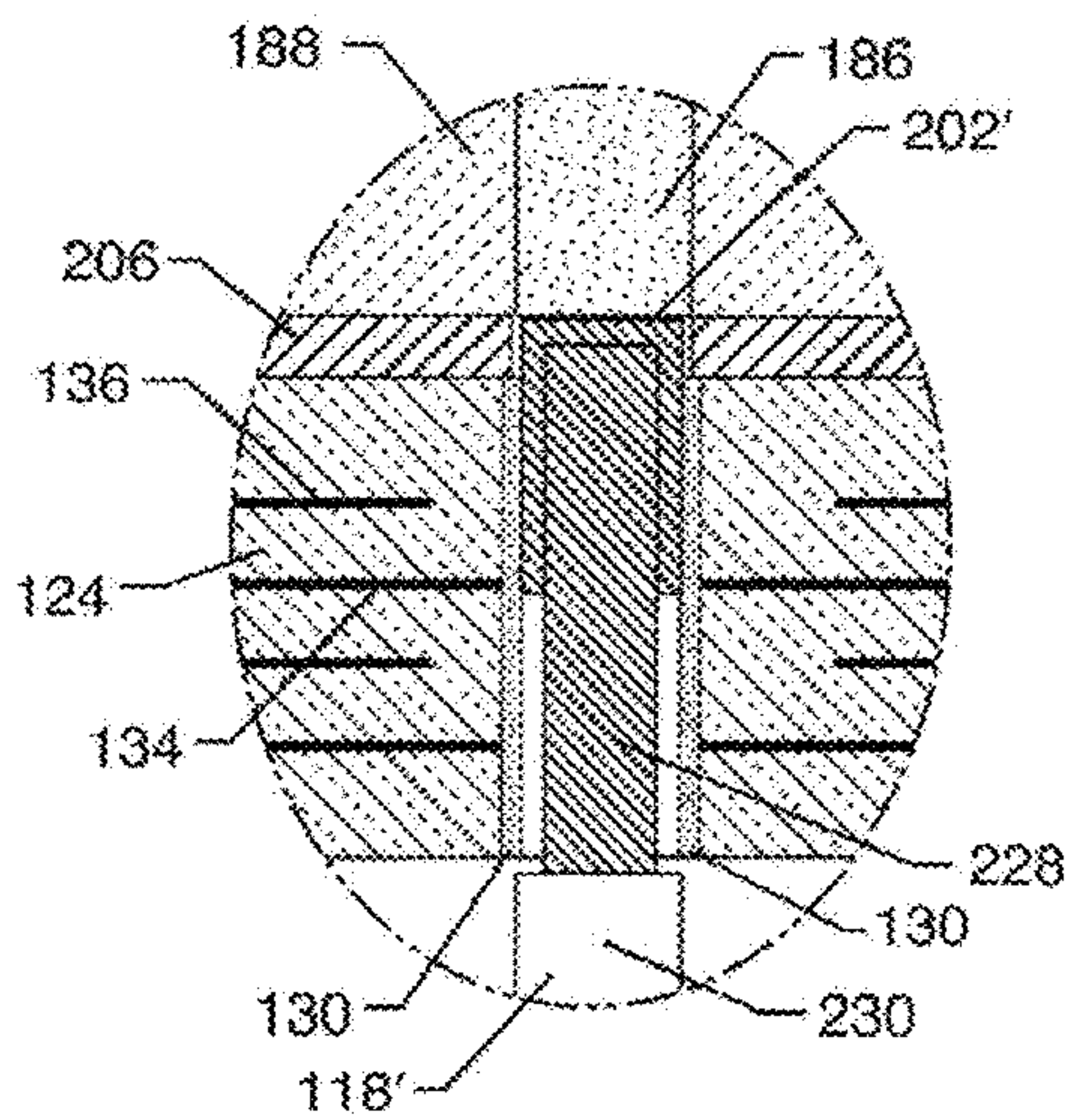


FIG. 31

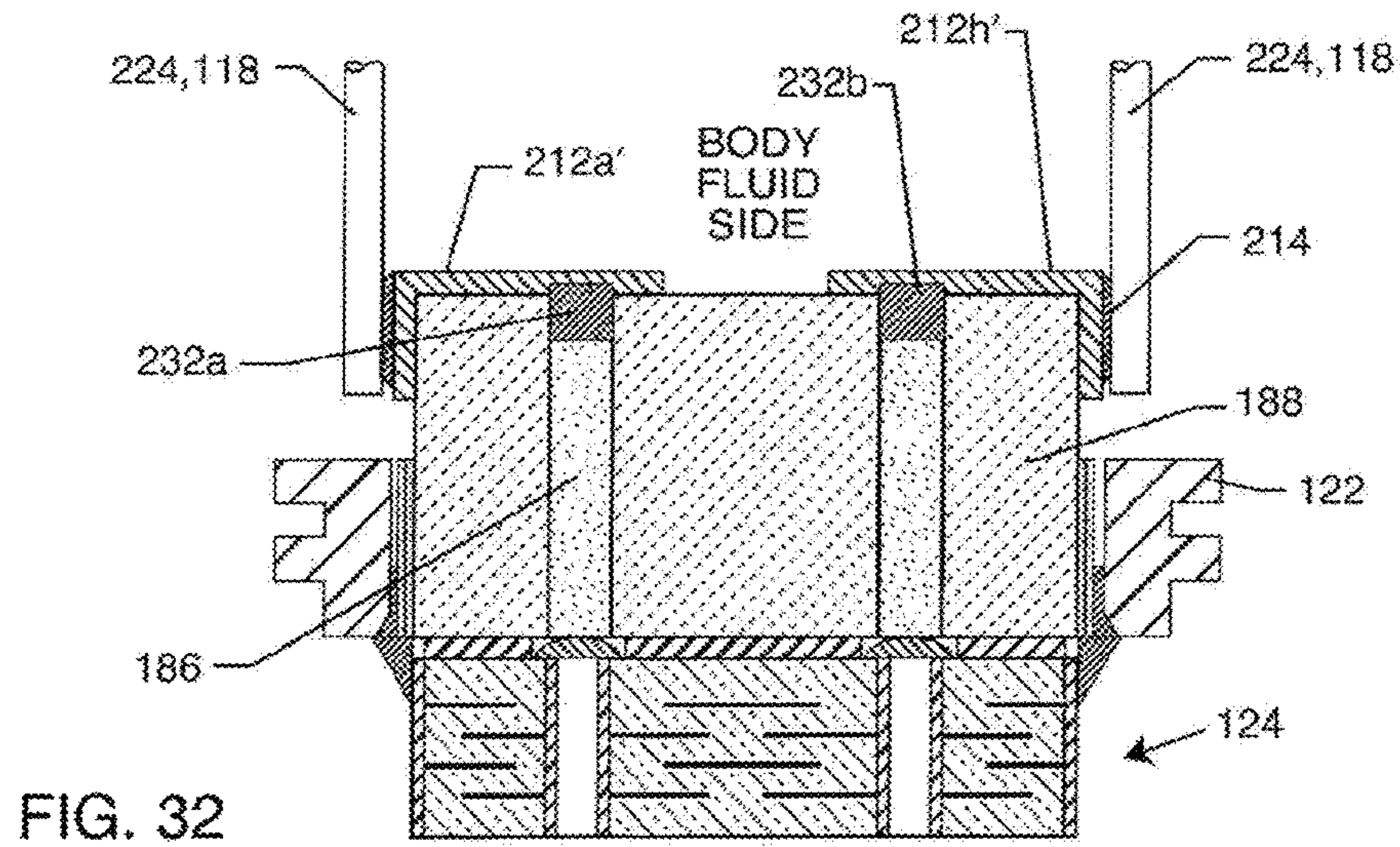


FIG. 32

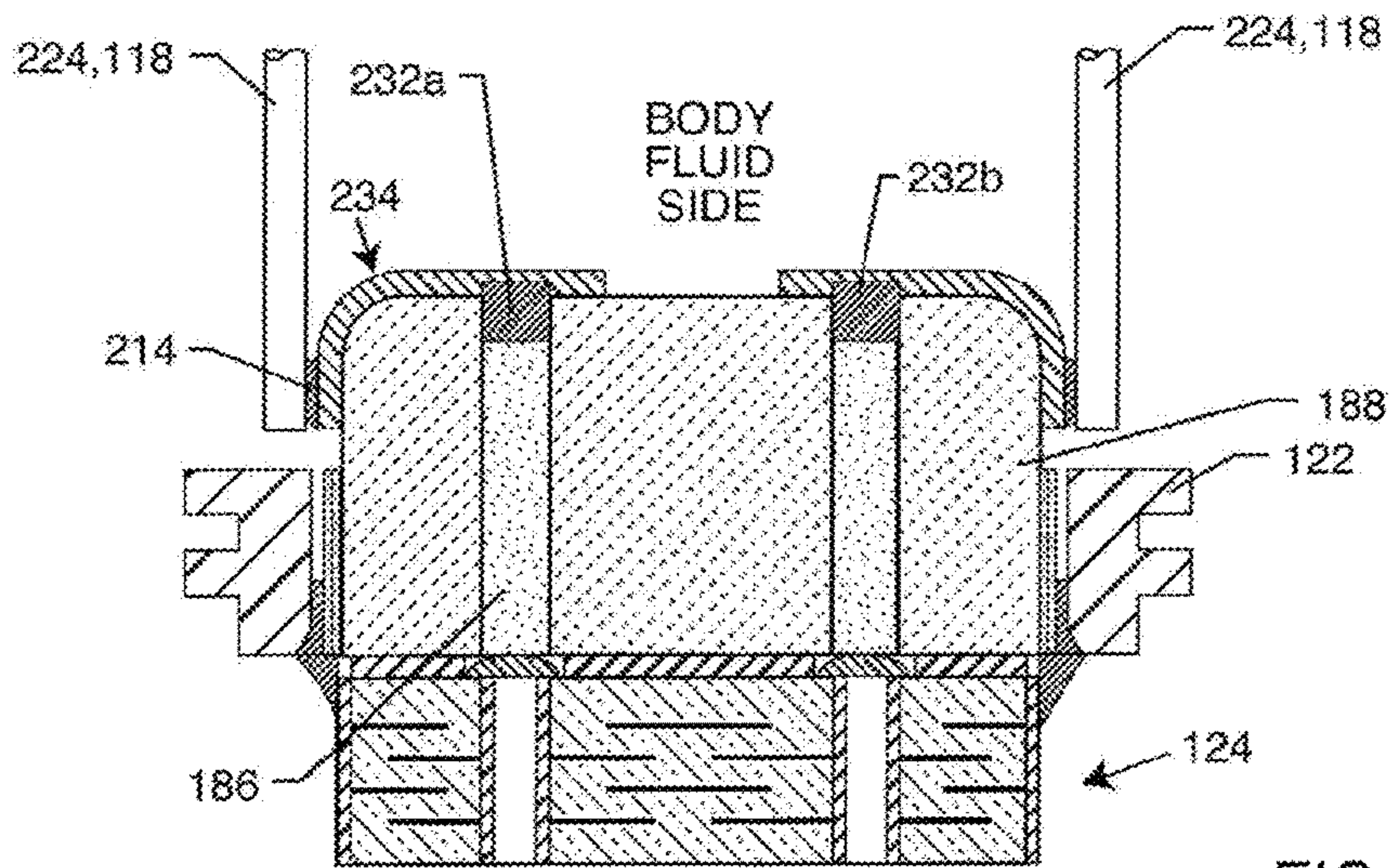


FIG. 33

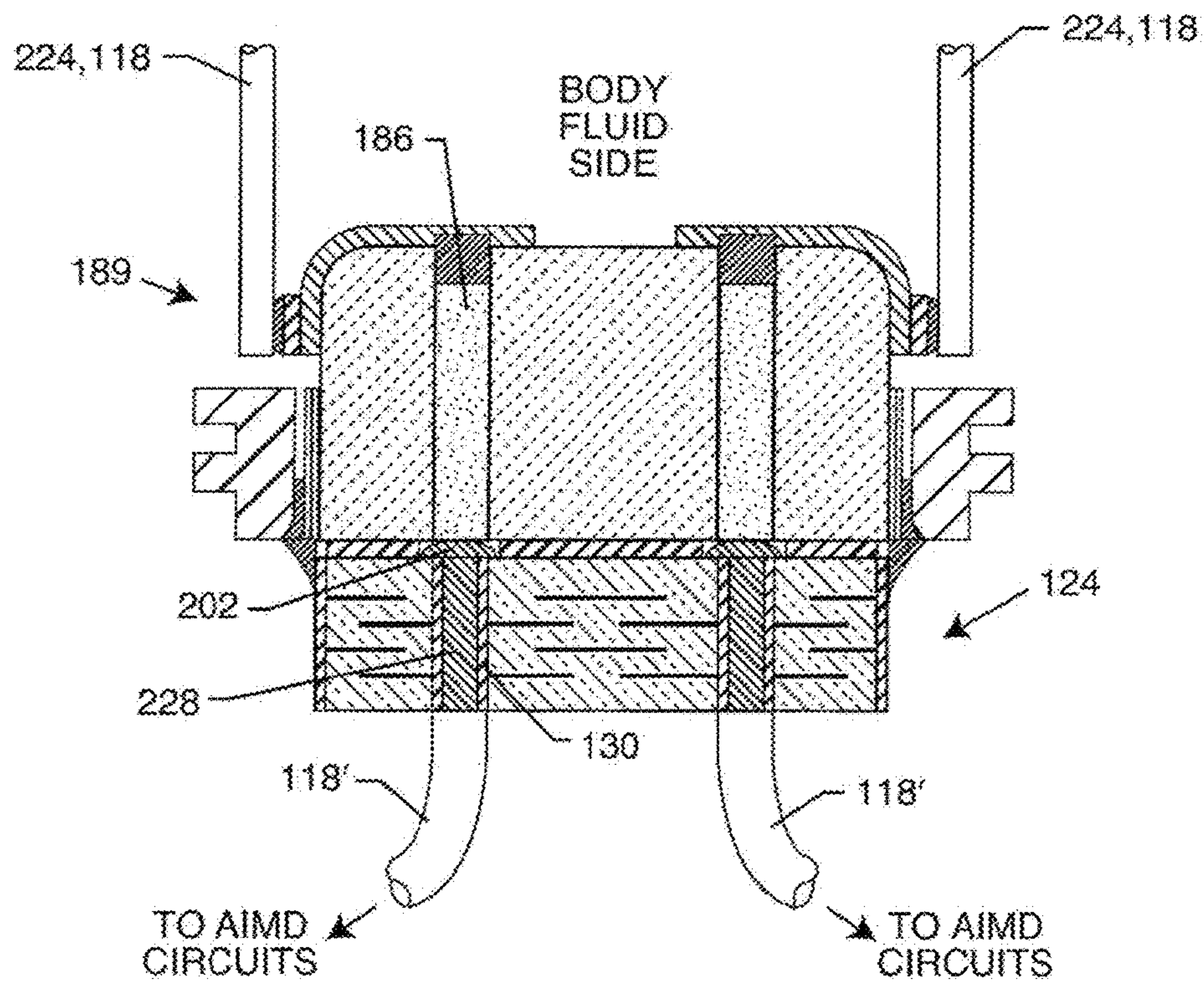
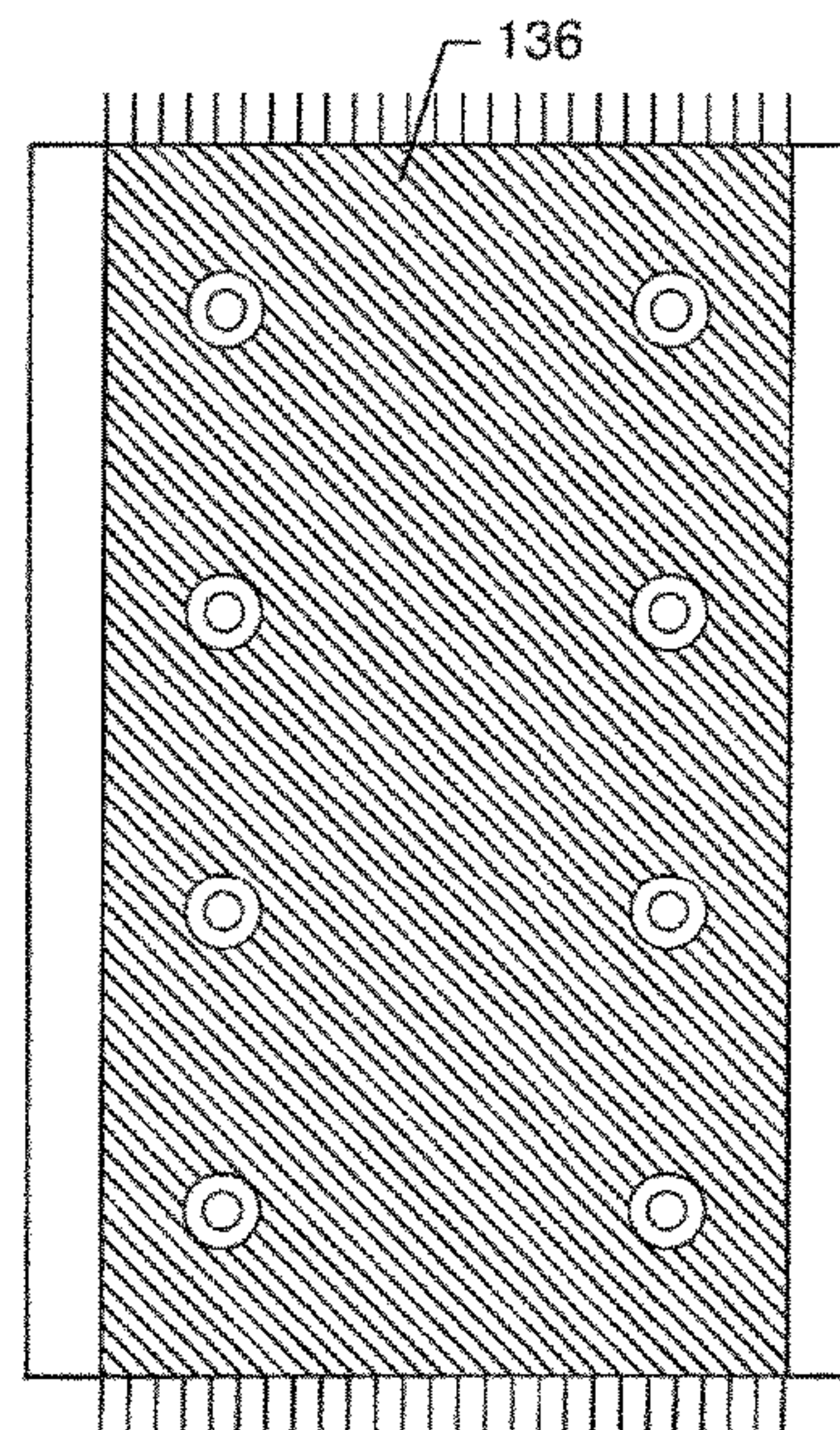
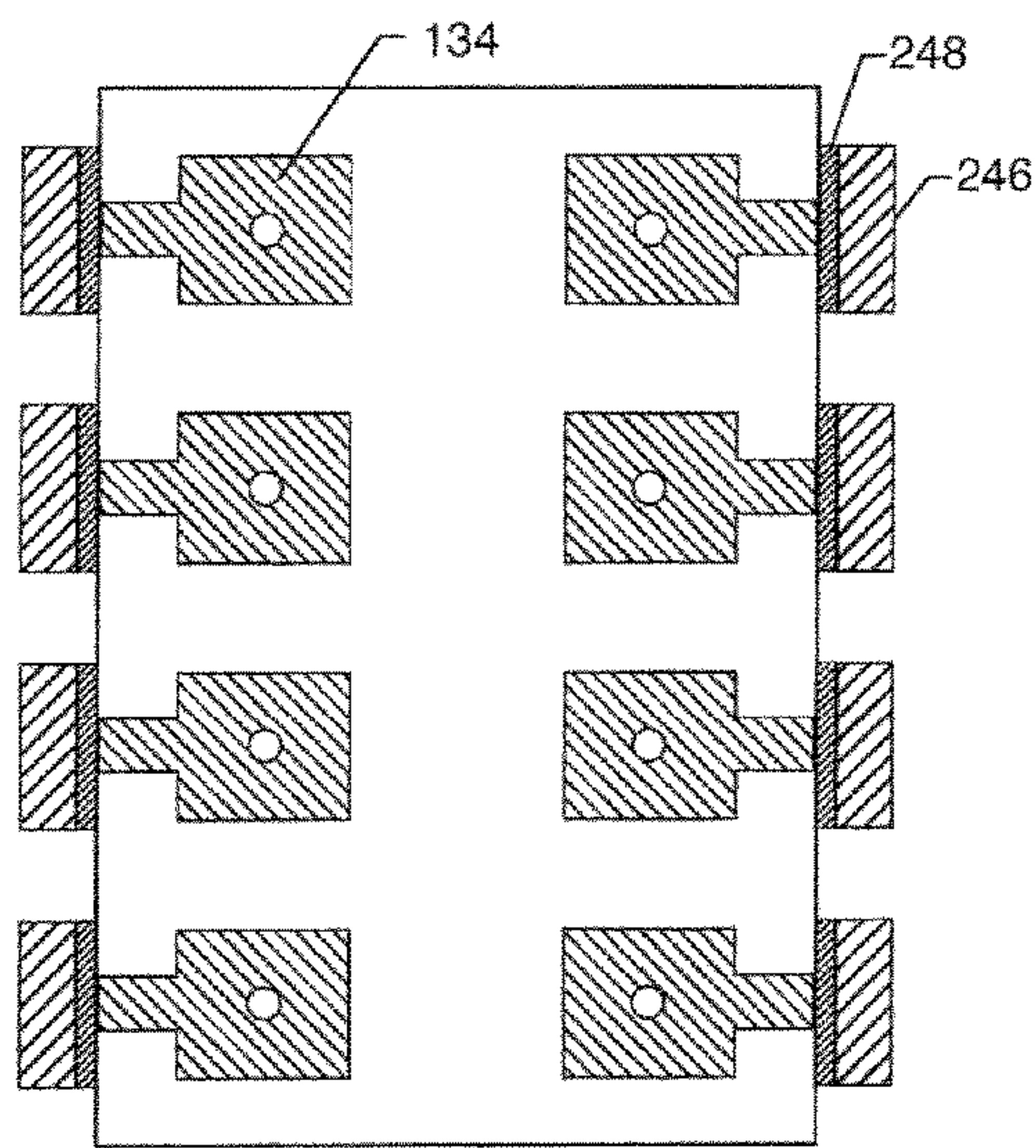
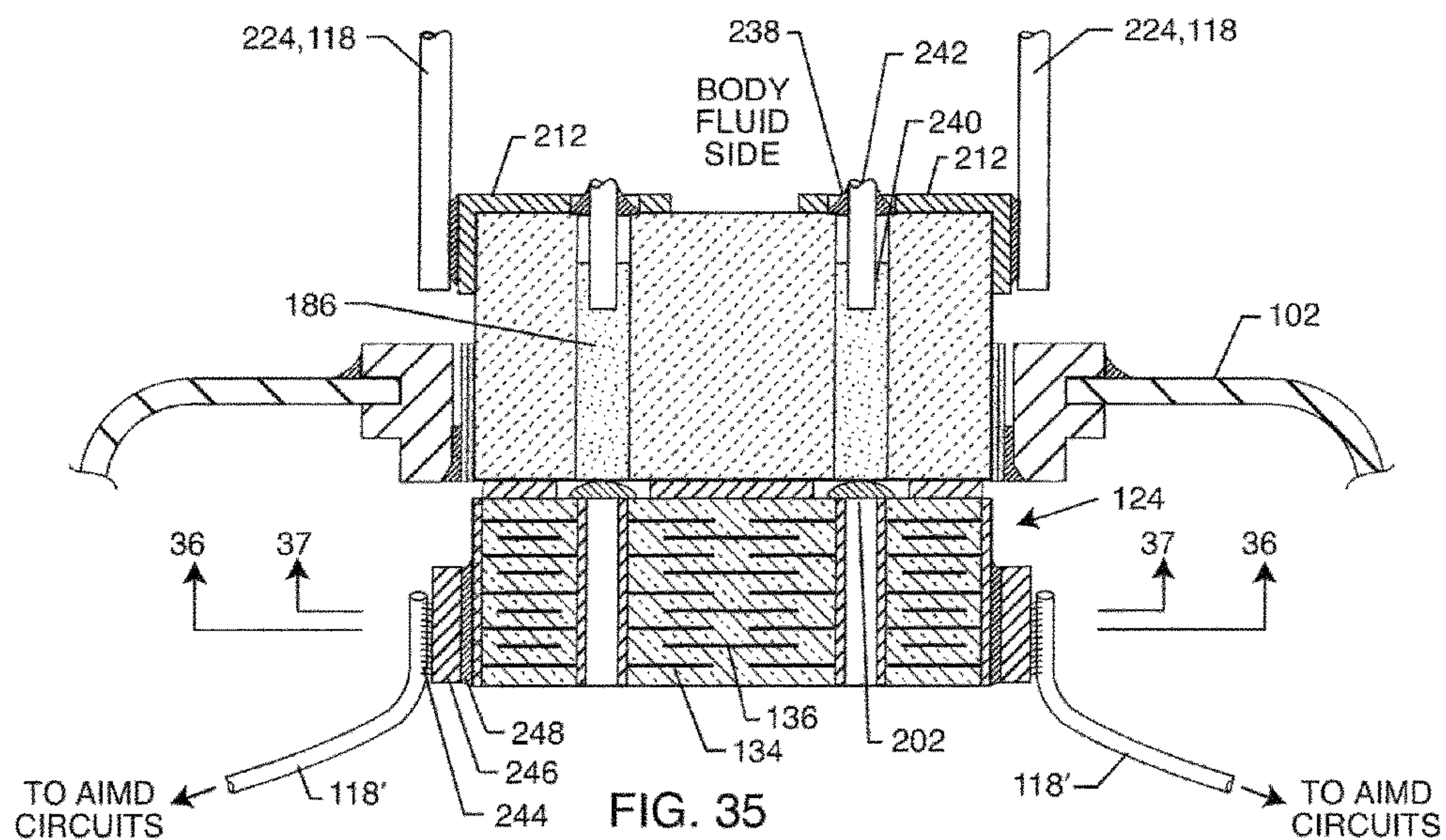


FIG. 34



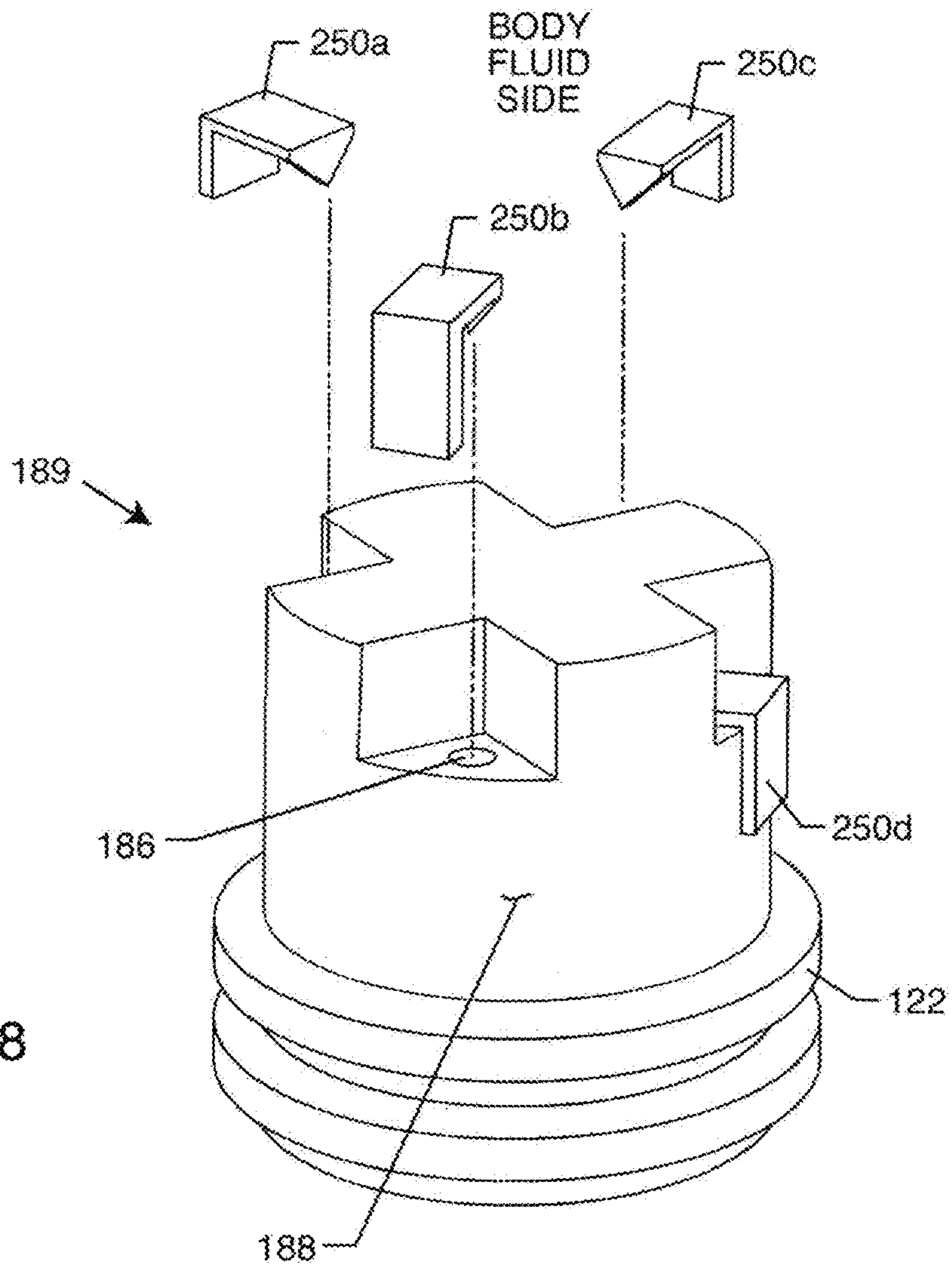


FIG. 38

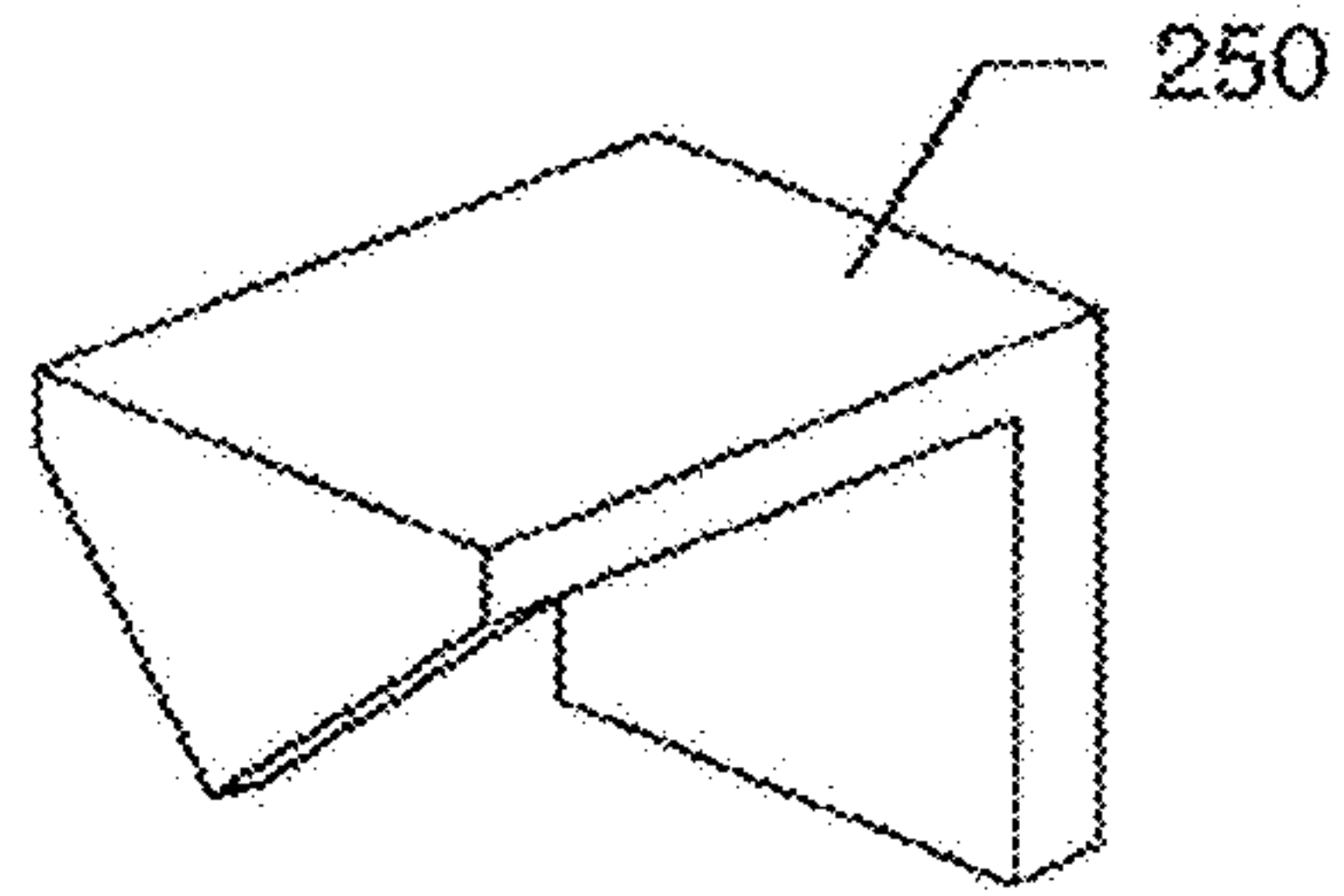


FIG. 39

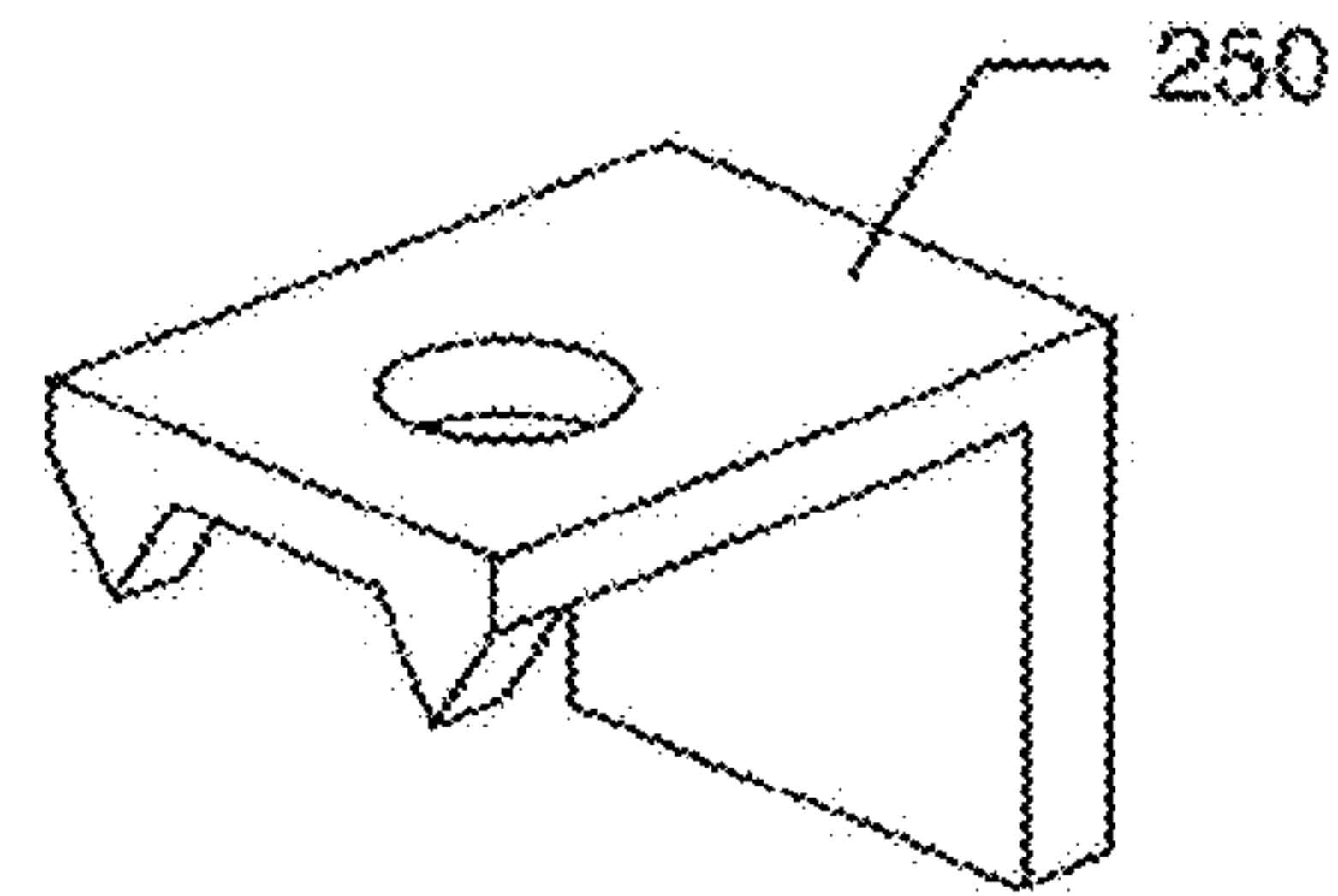


FIG. 40

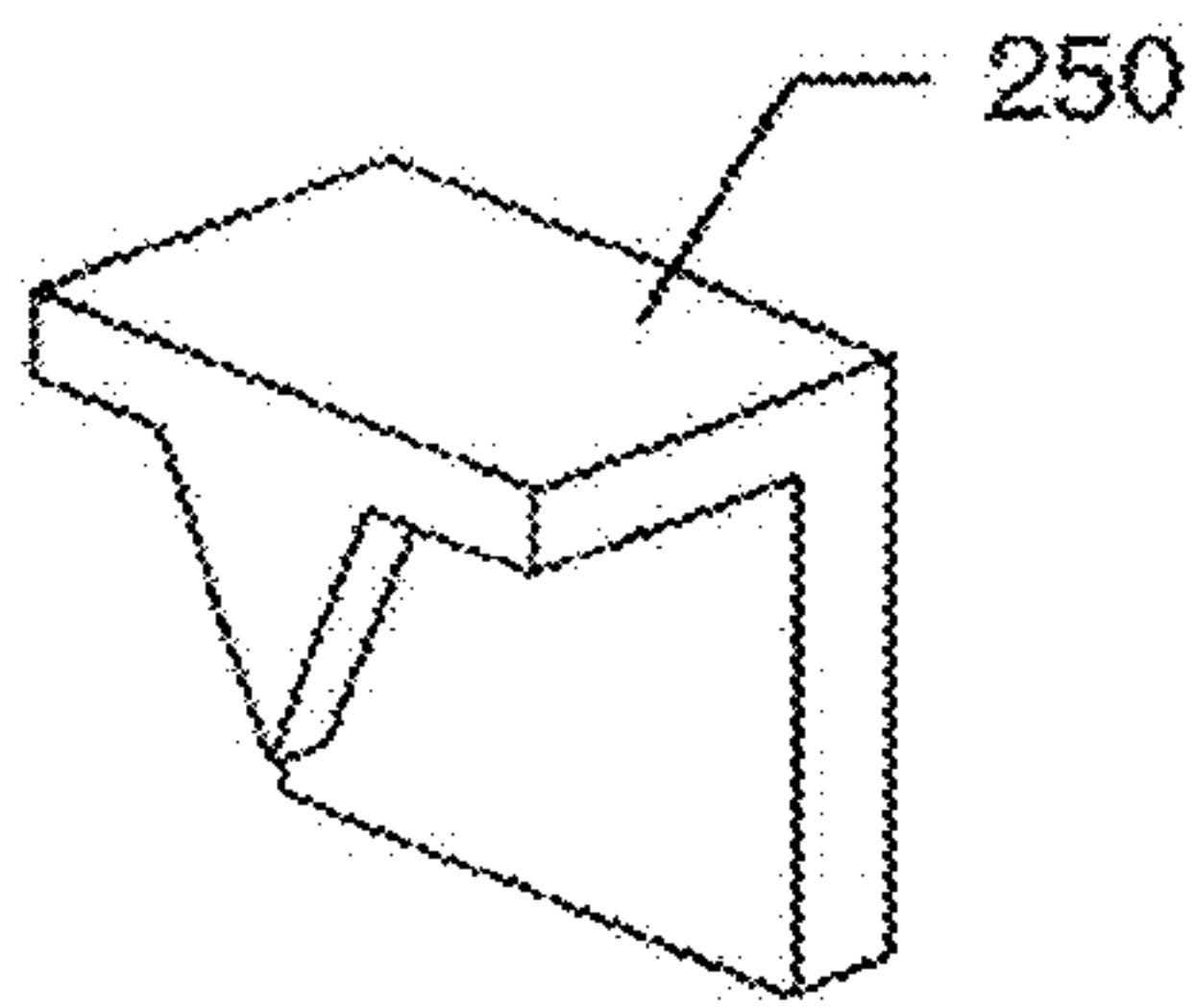


FIG. 41

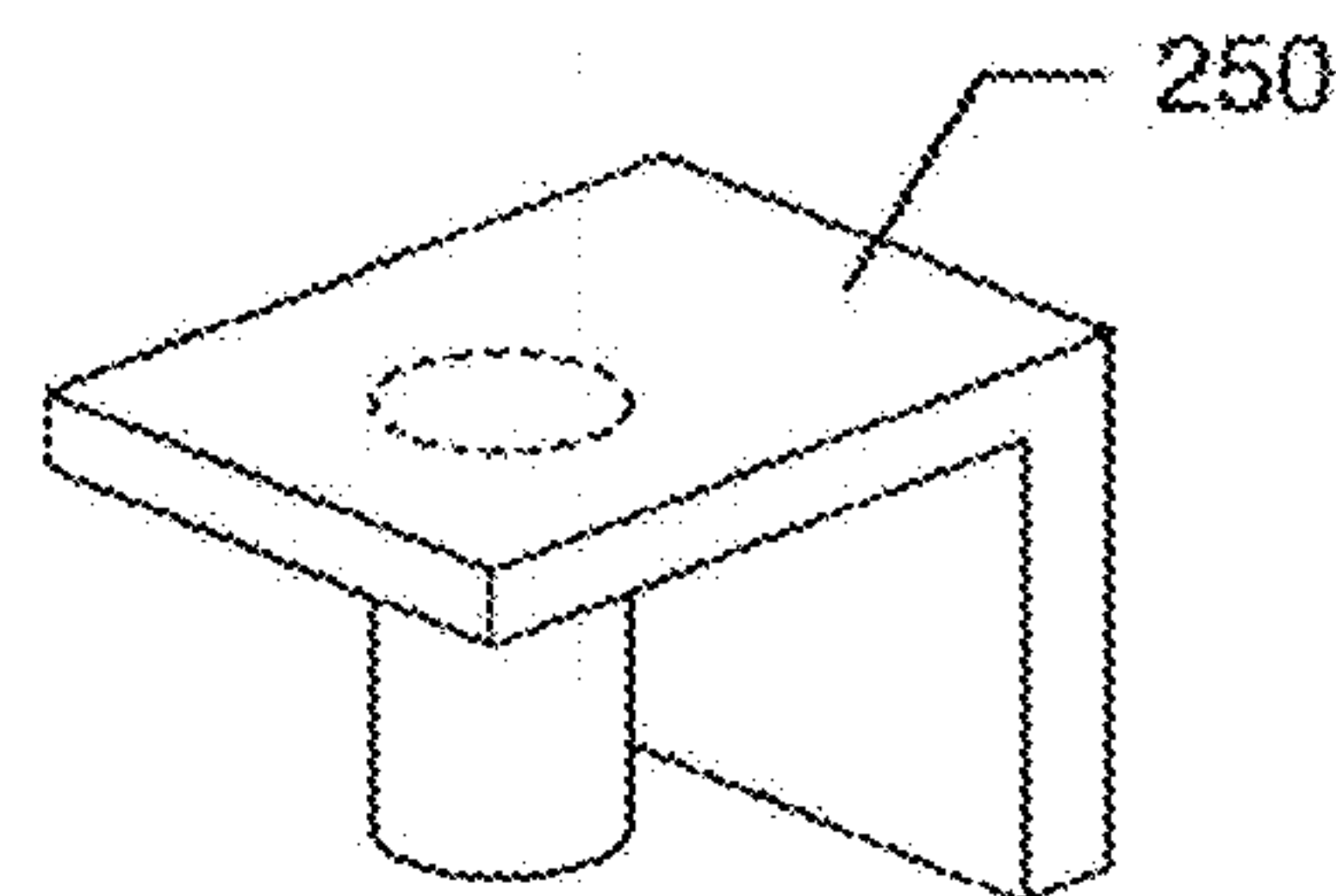
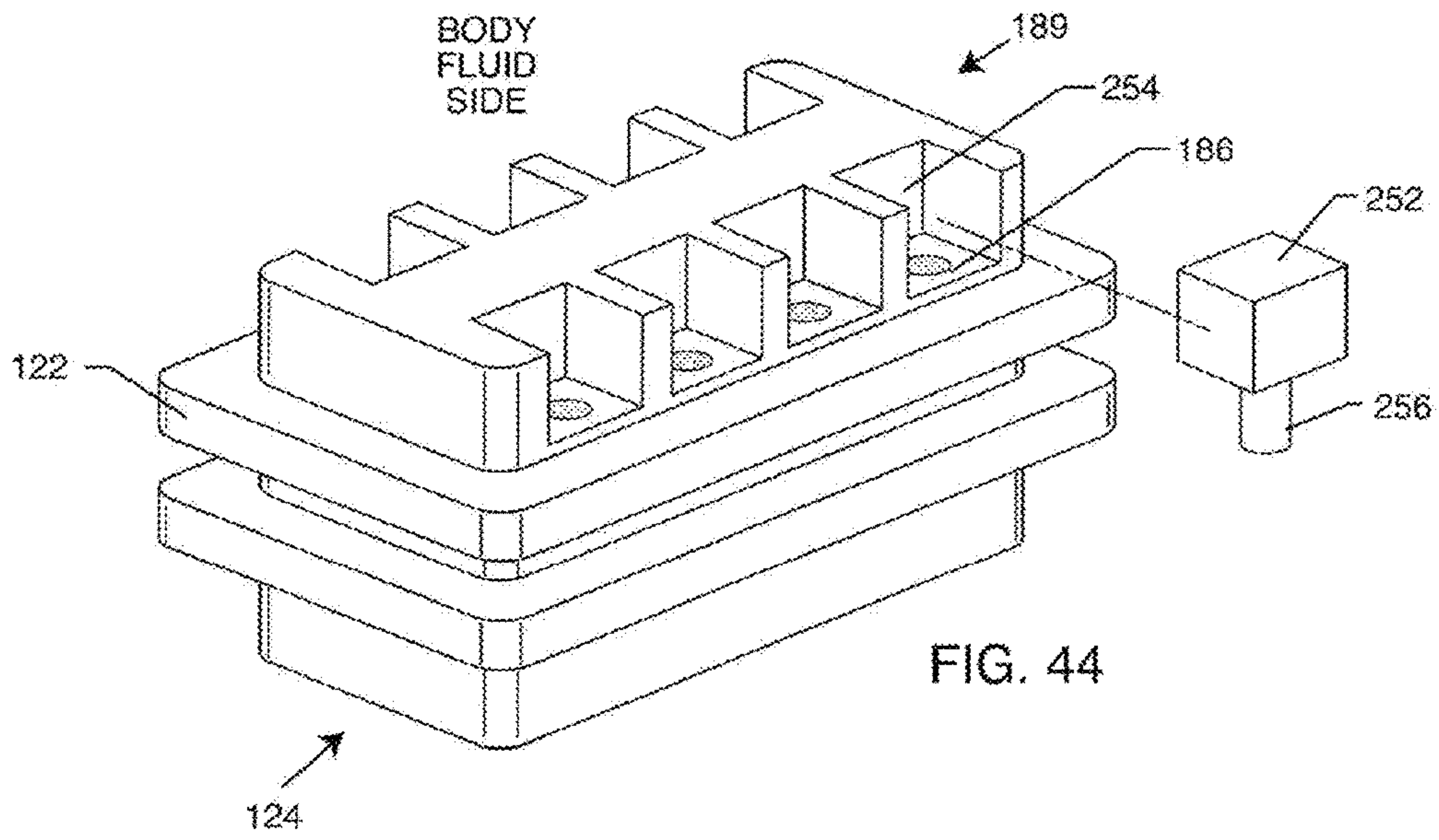
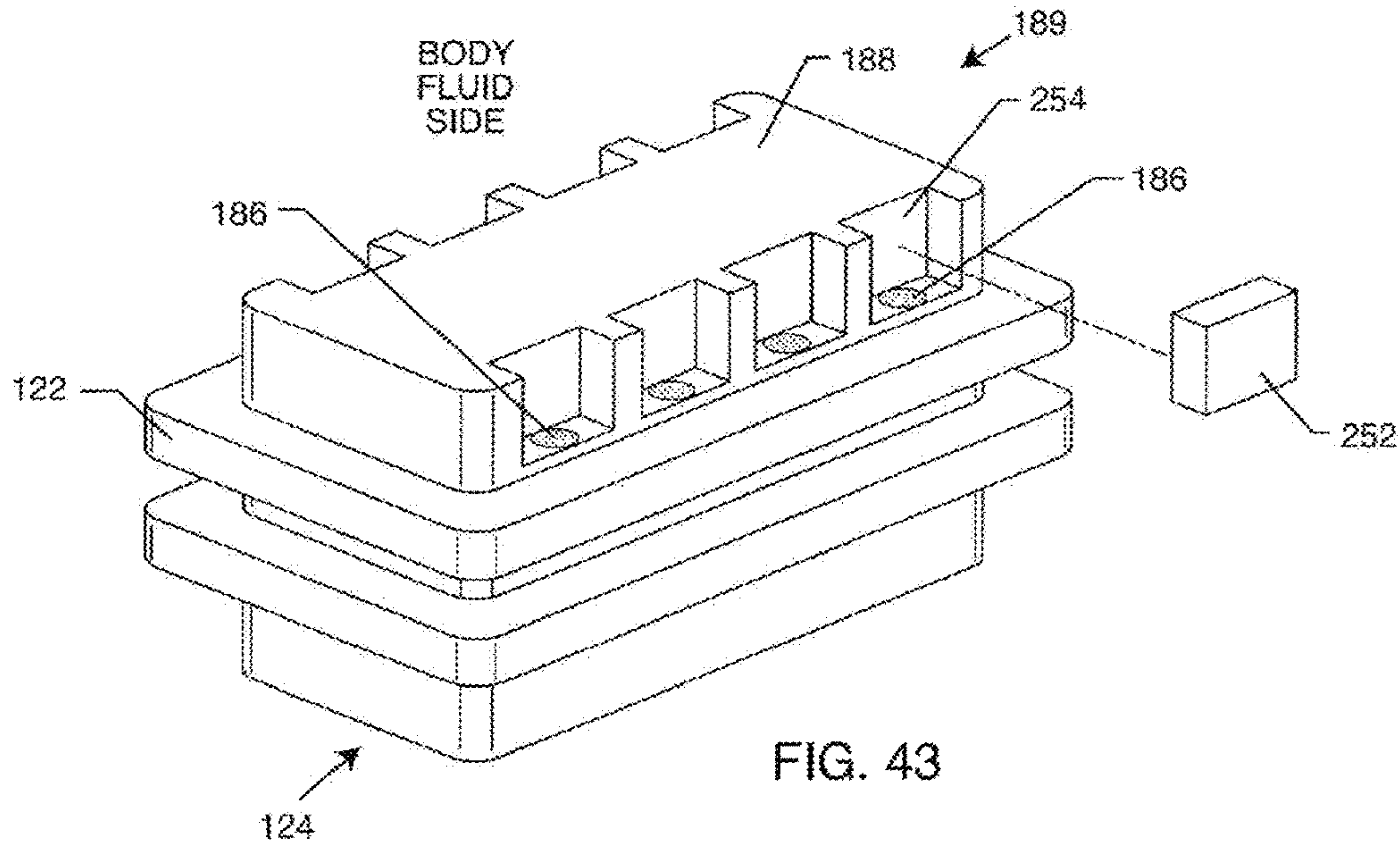


FIG. 42



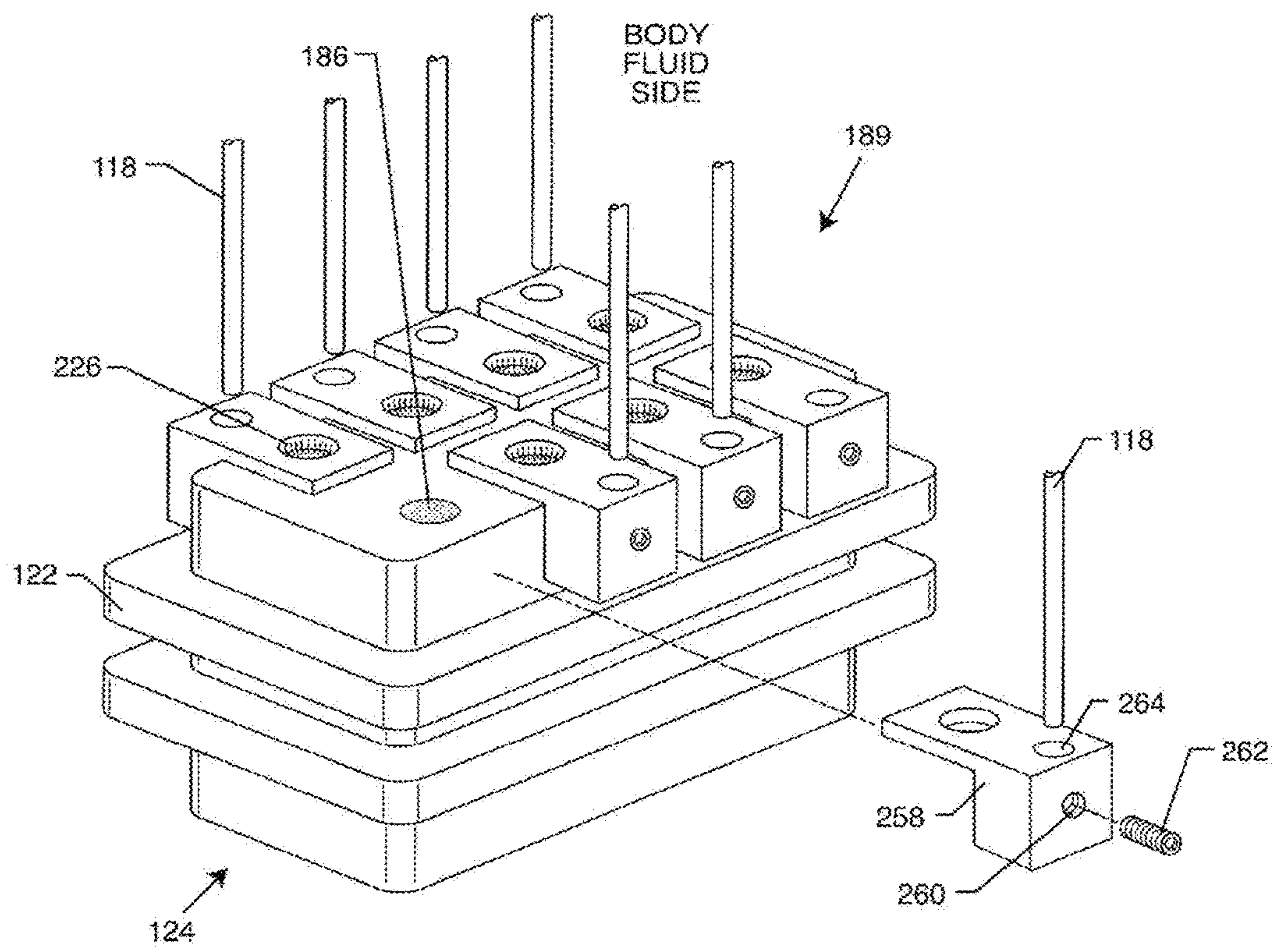


FIG. 45

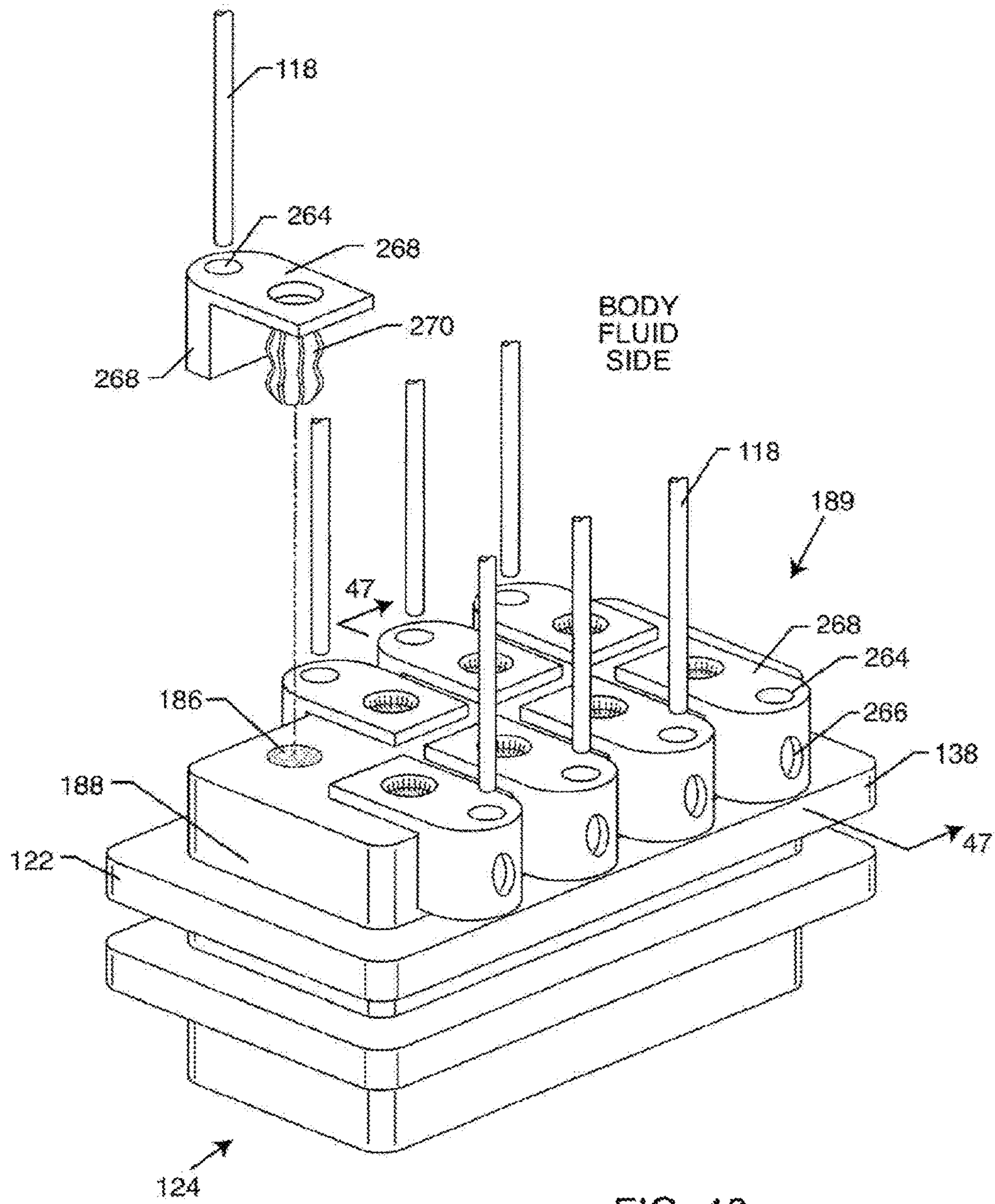


FIG. 46

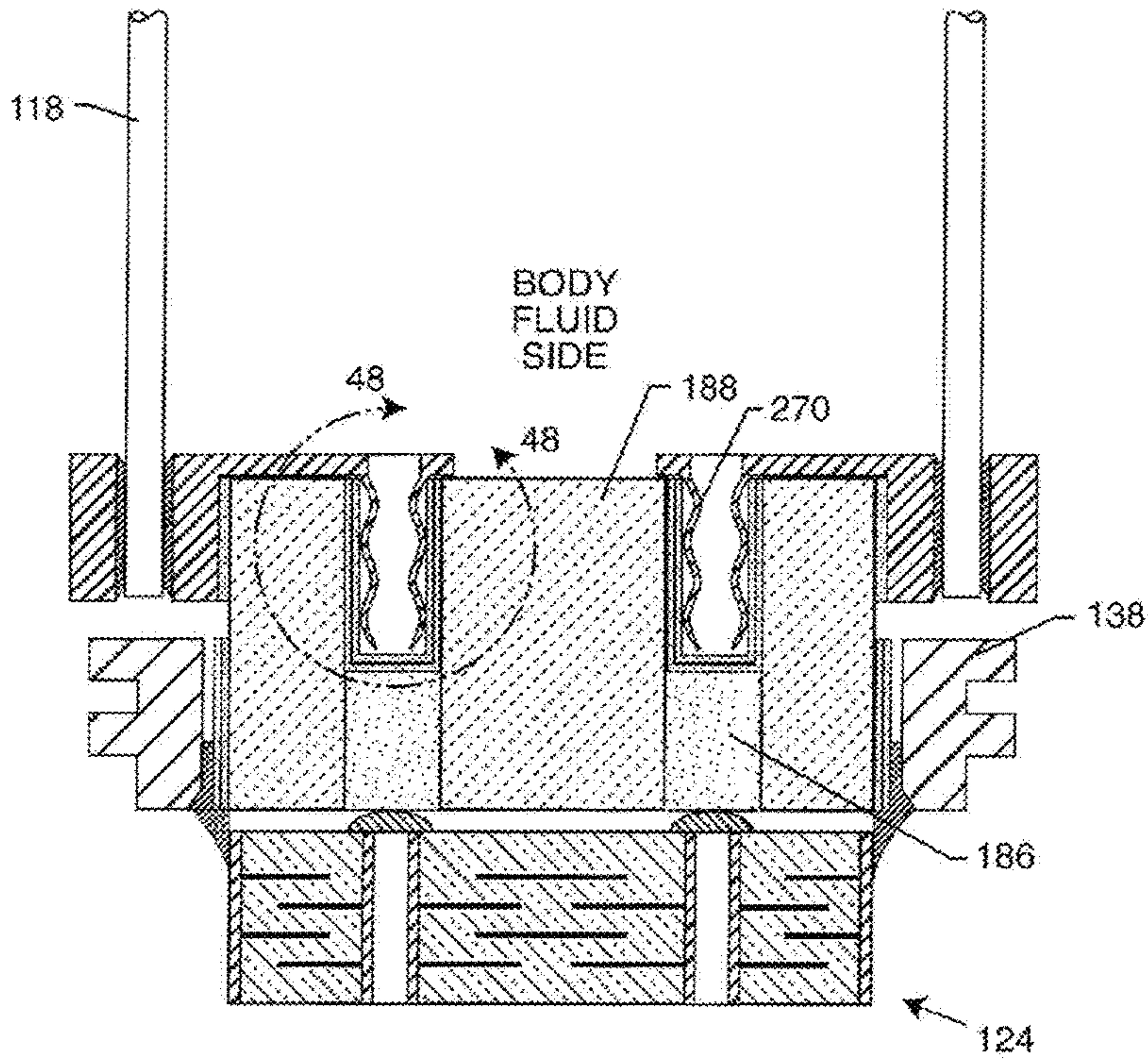


FIG. 47

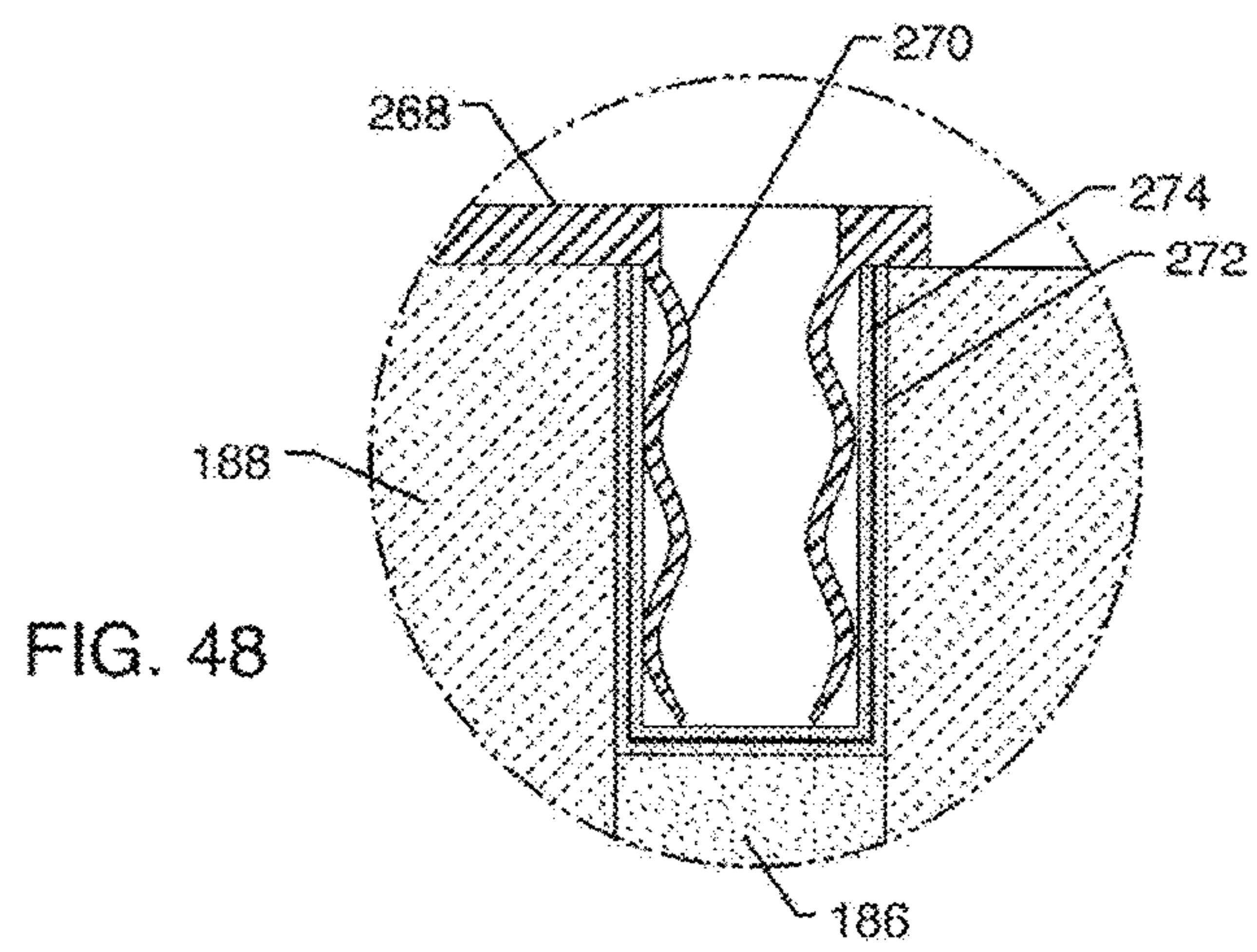
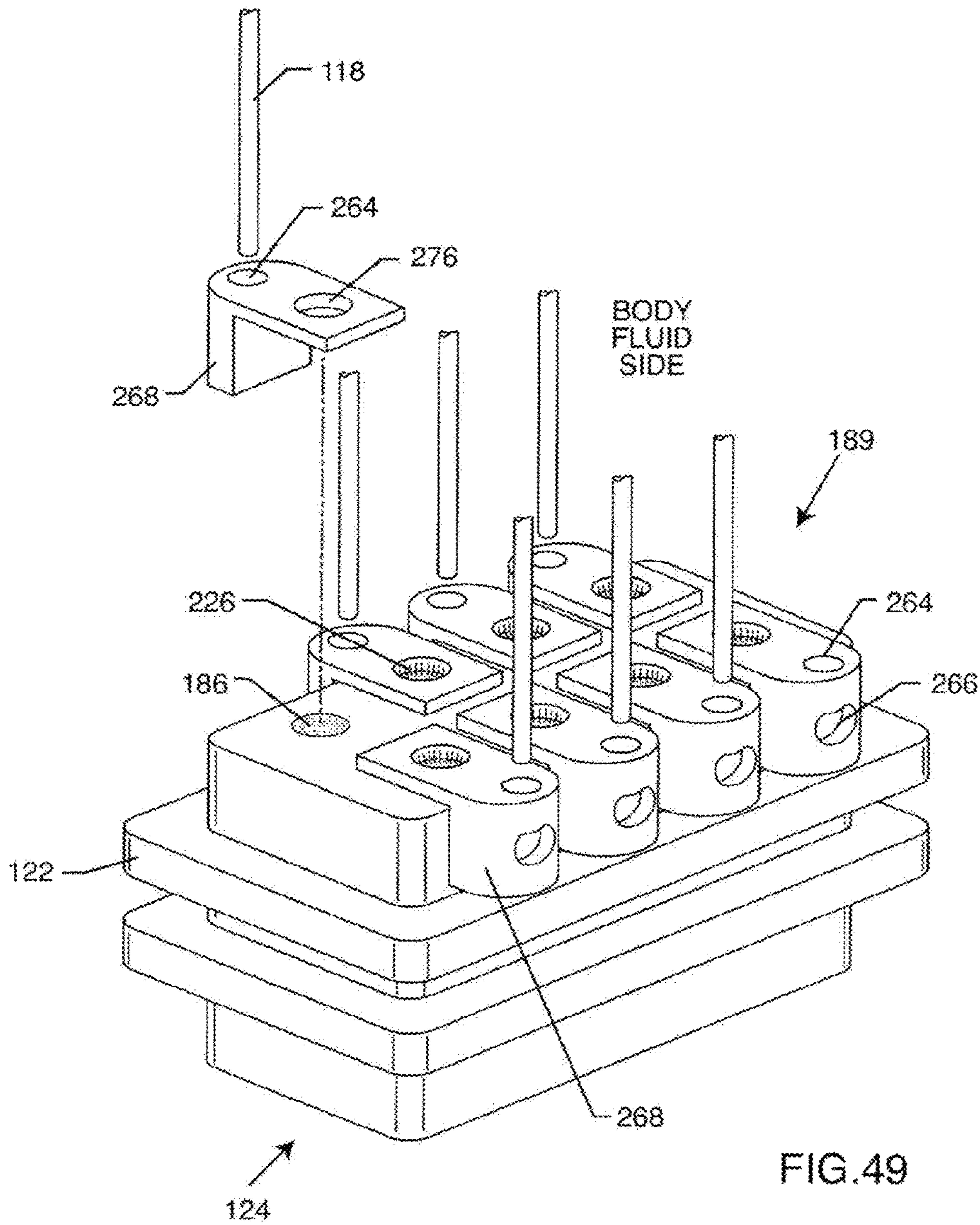


FIG. 48



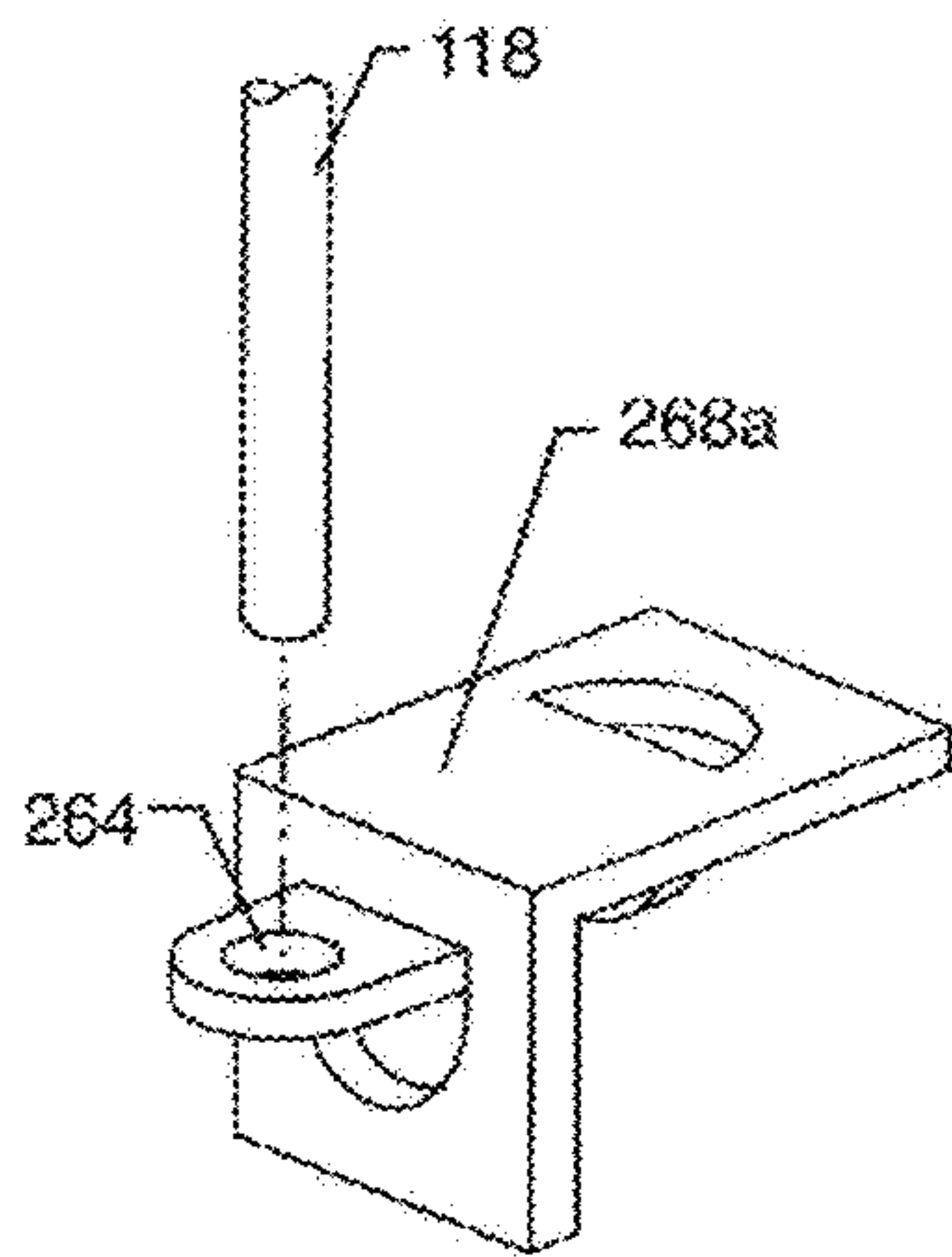


FIG. 50

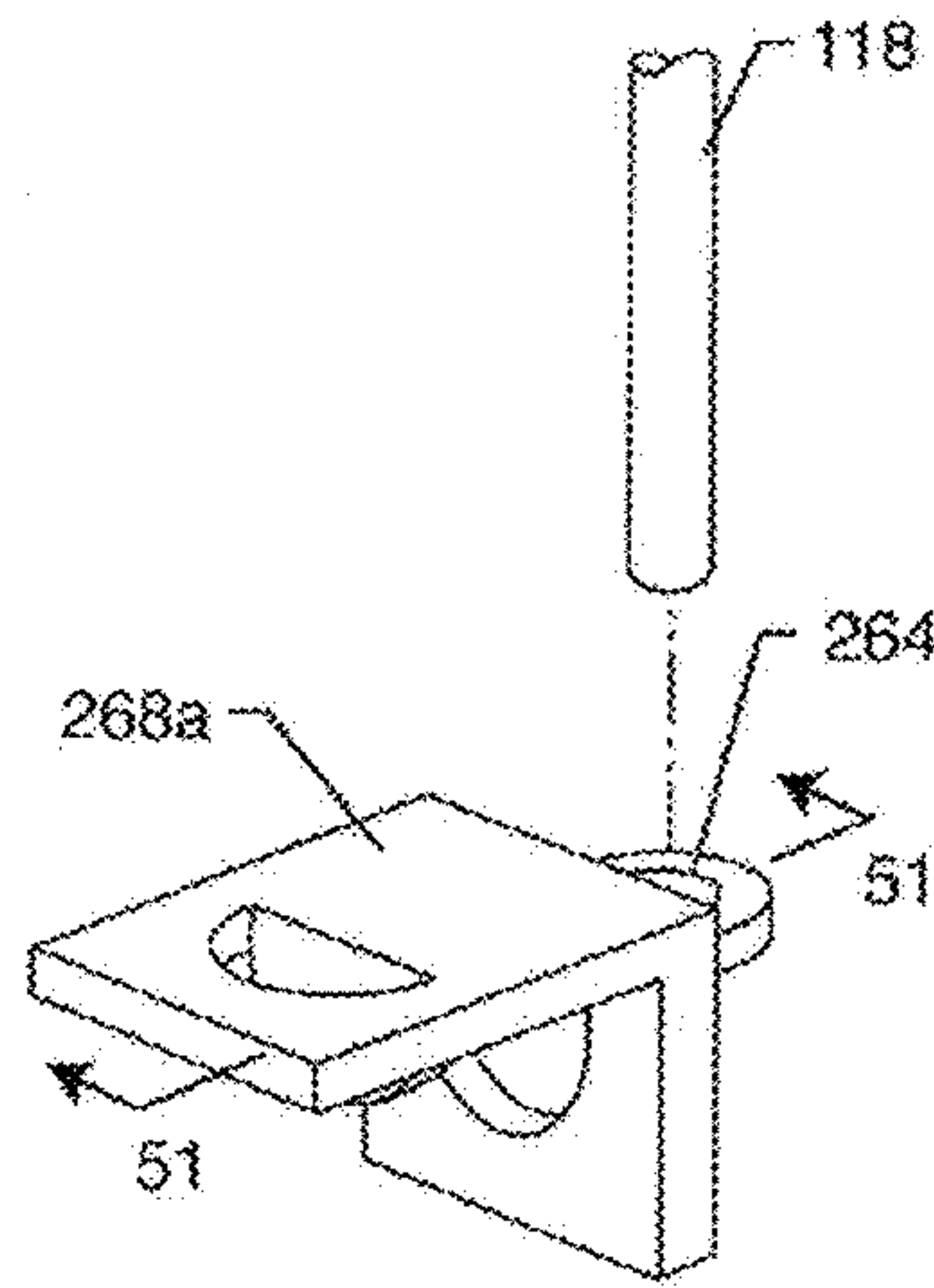


FIG. 50A

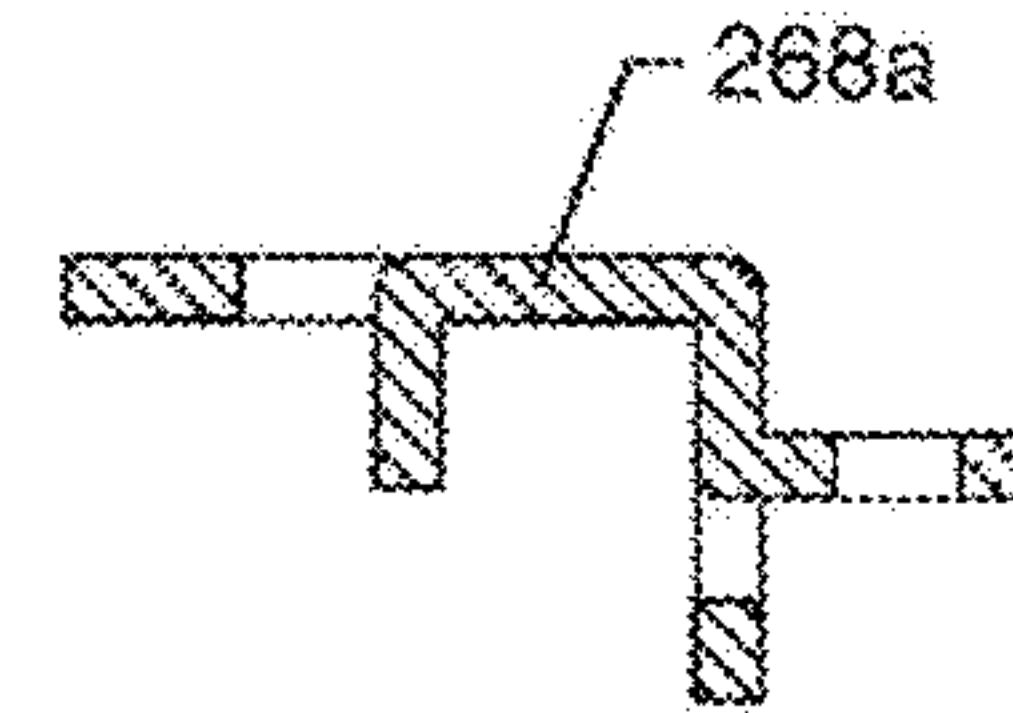


FIG. 51

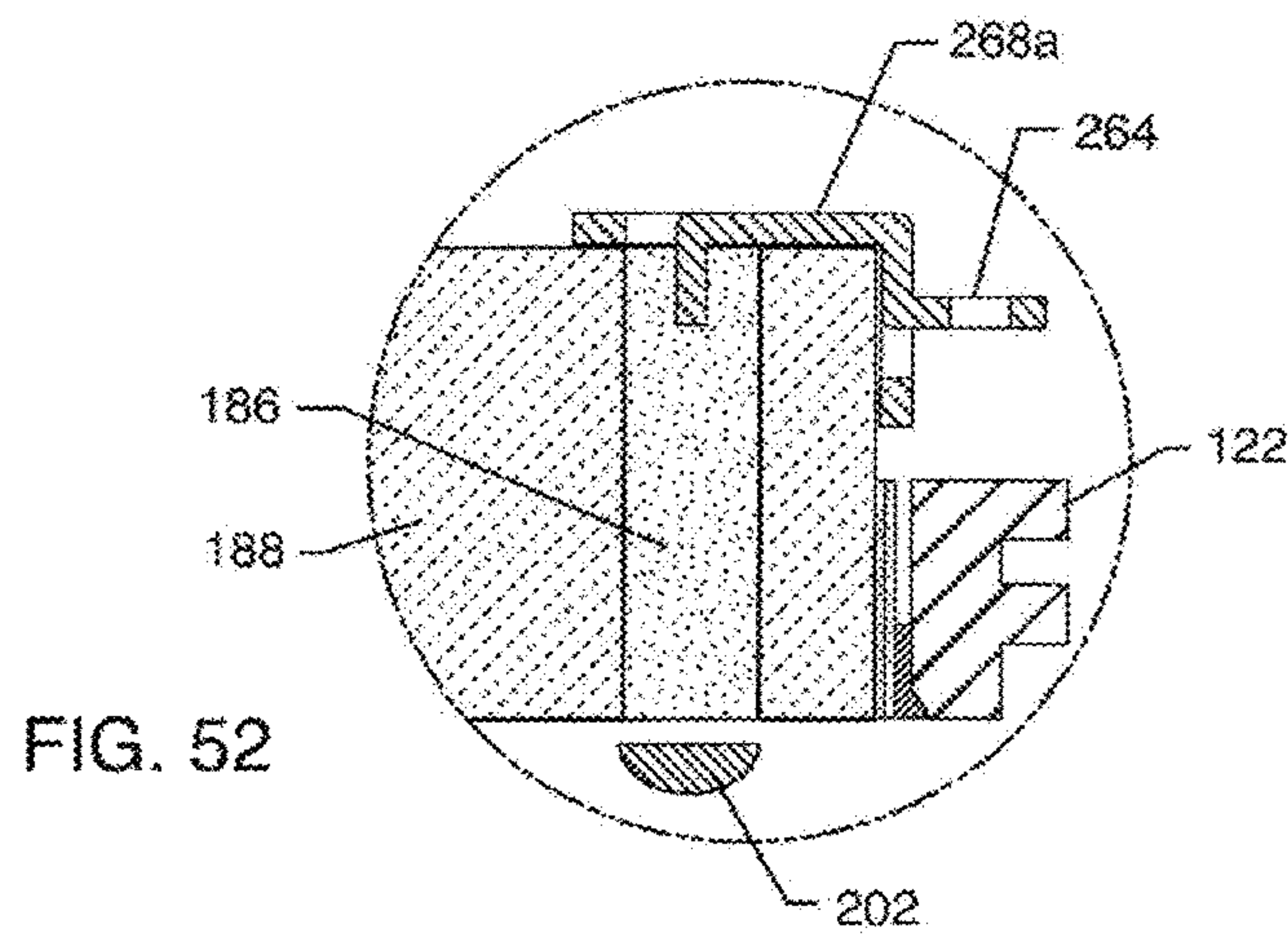


FIG. 52

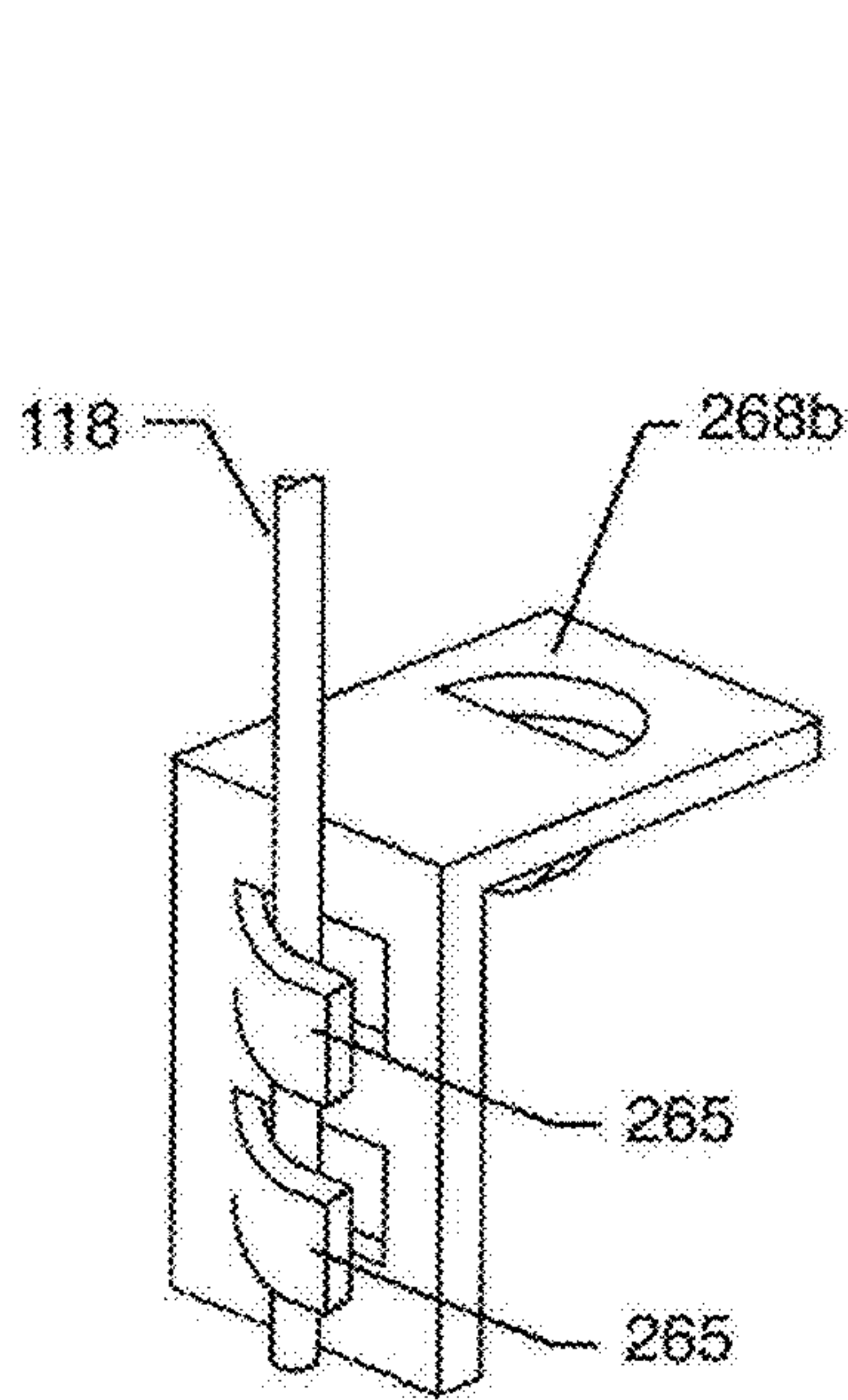


FIG. 53

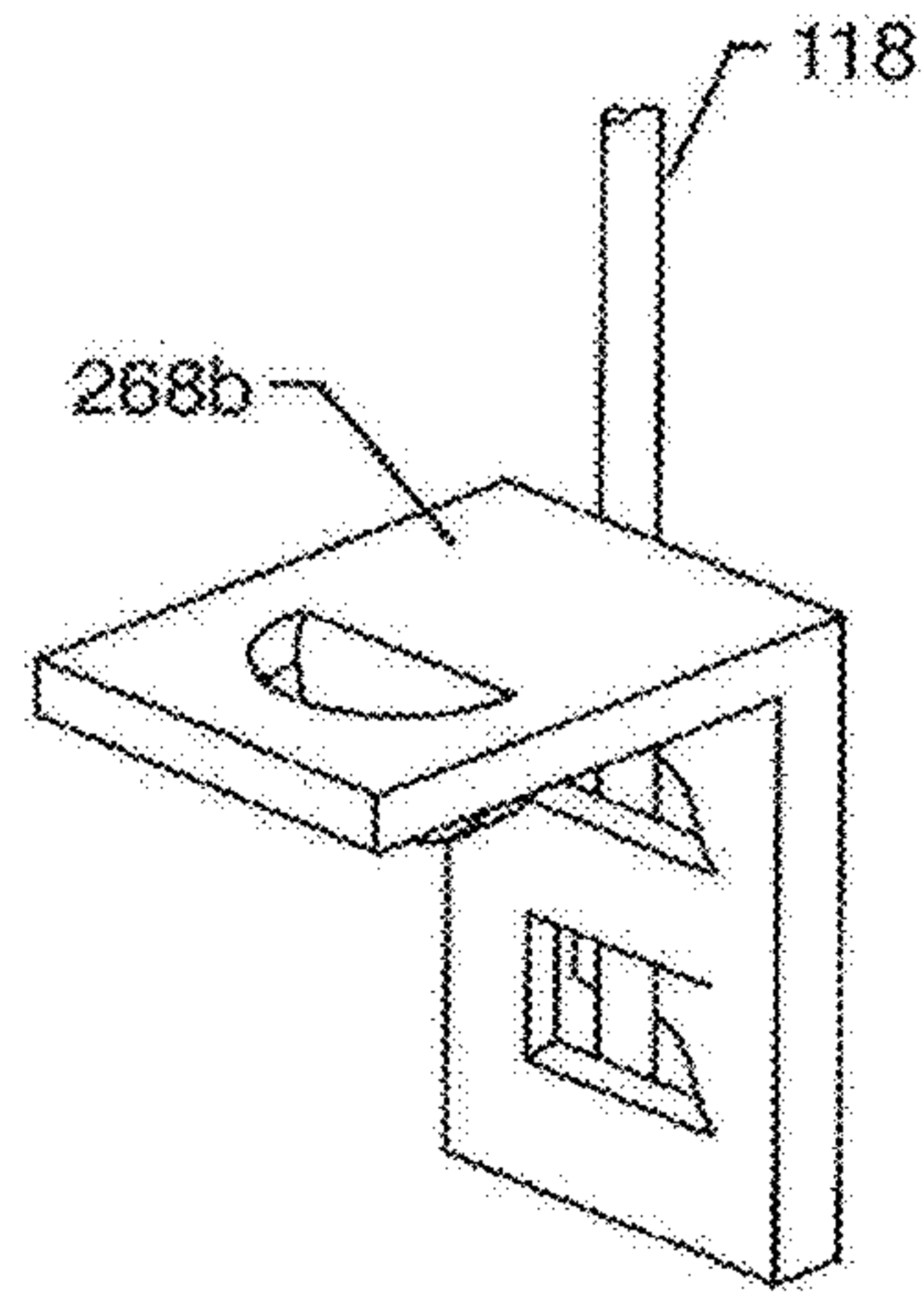


FIG. 53A

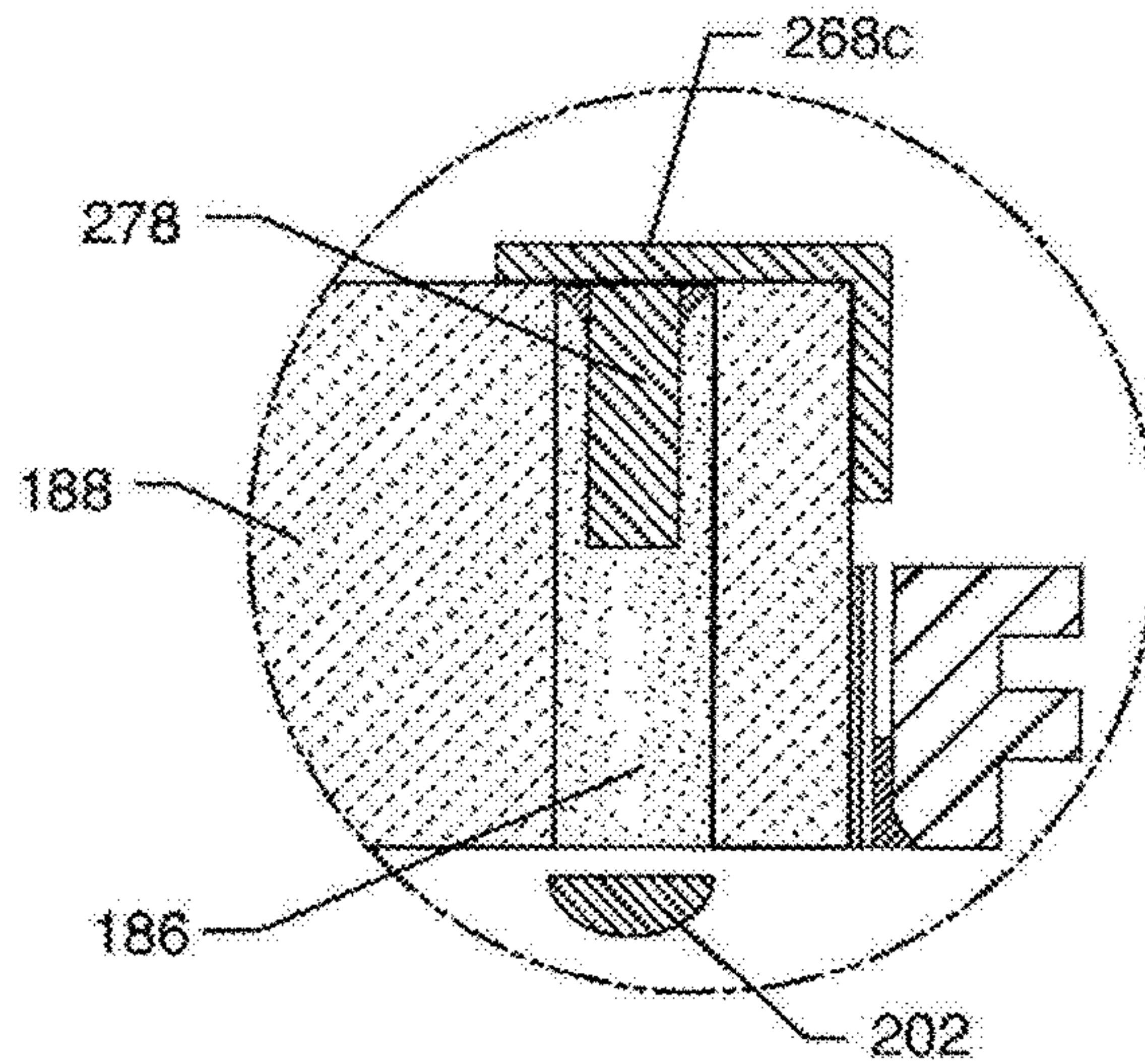
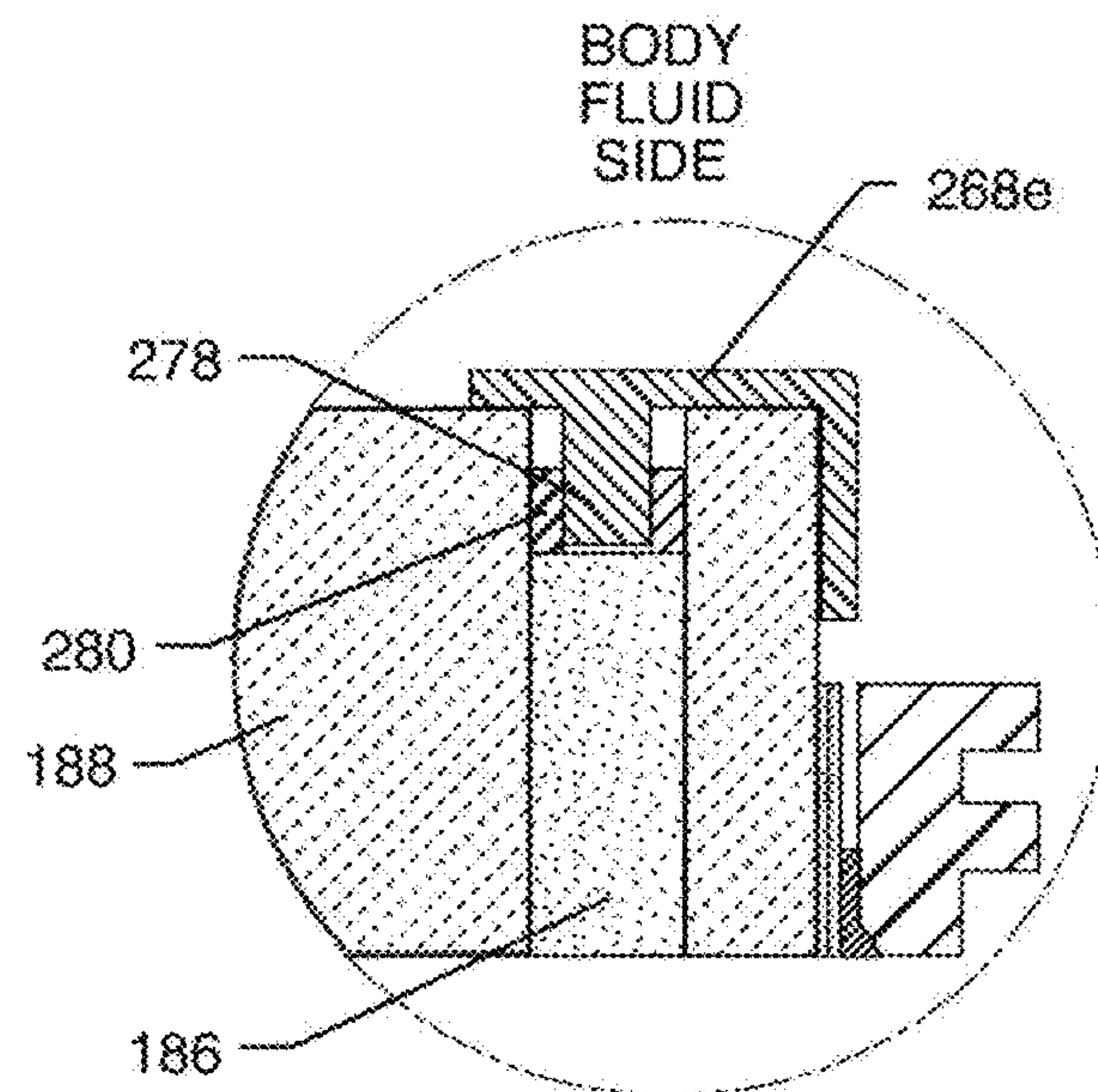
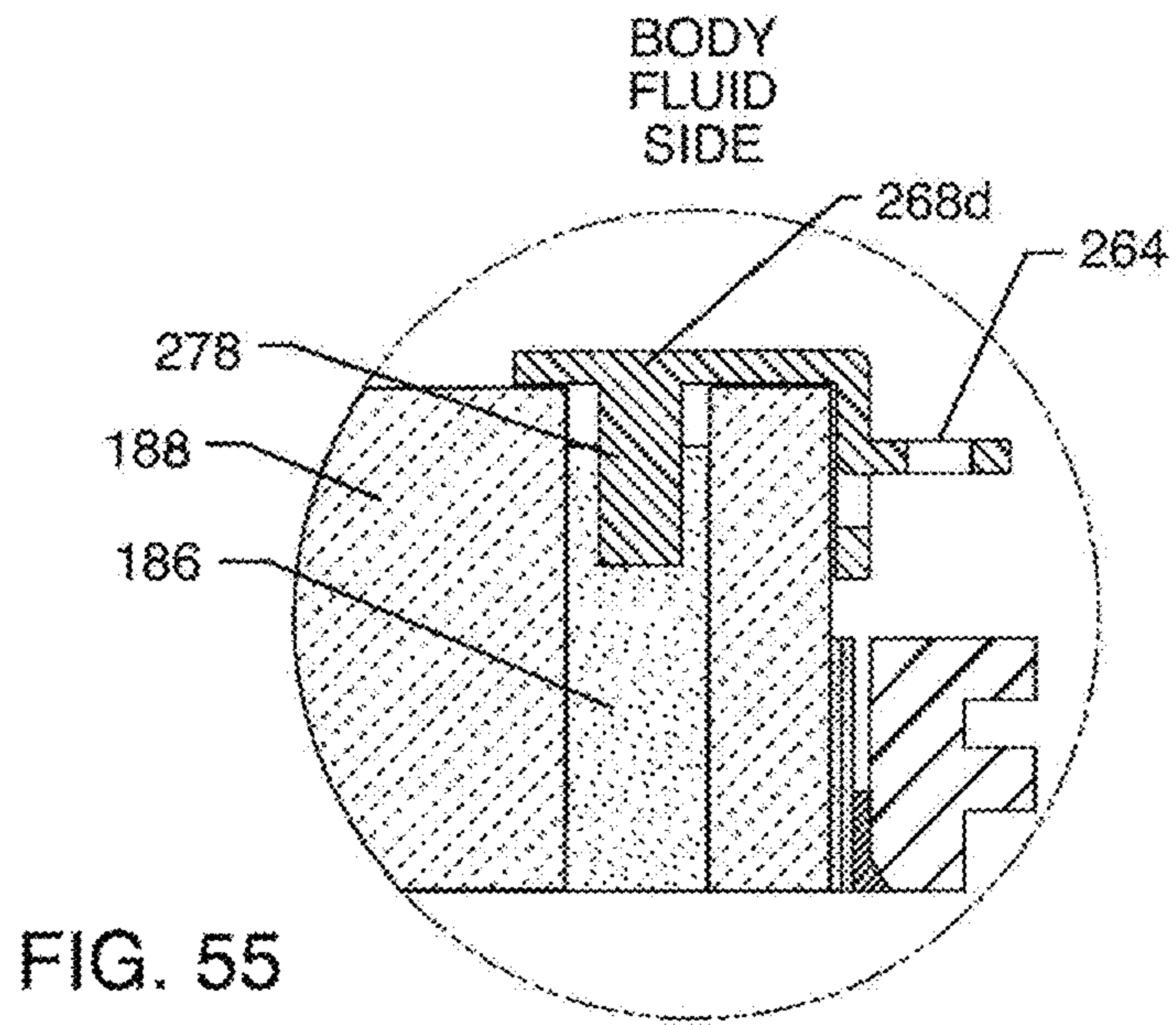


FIG. 54



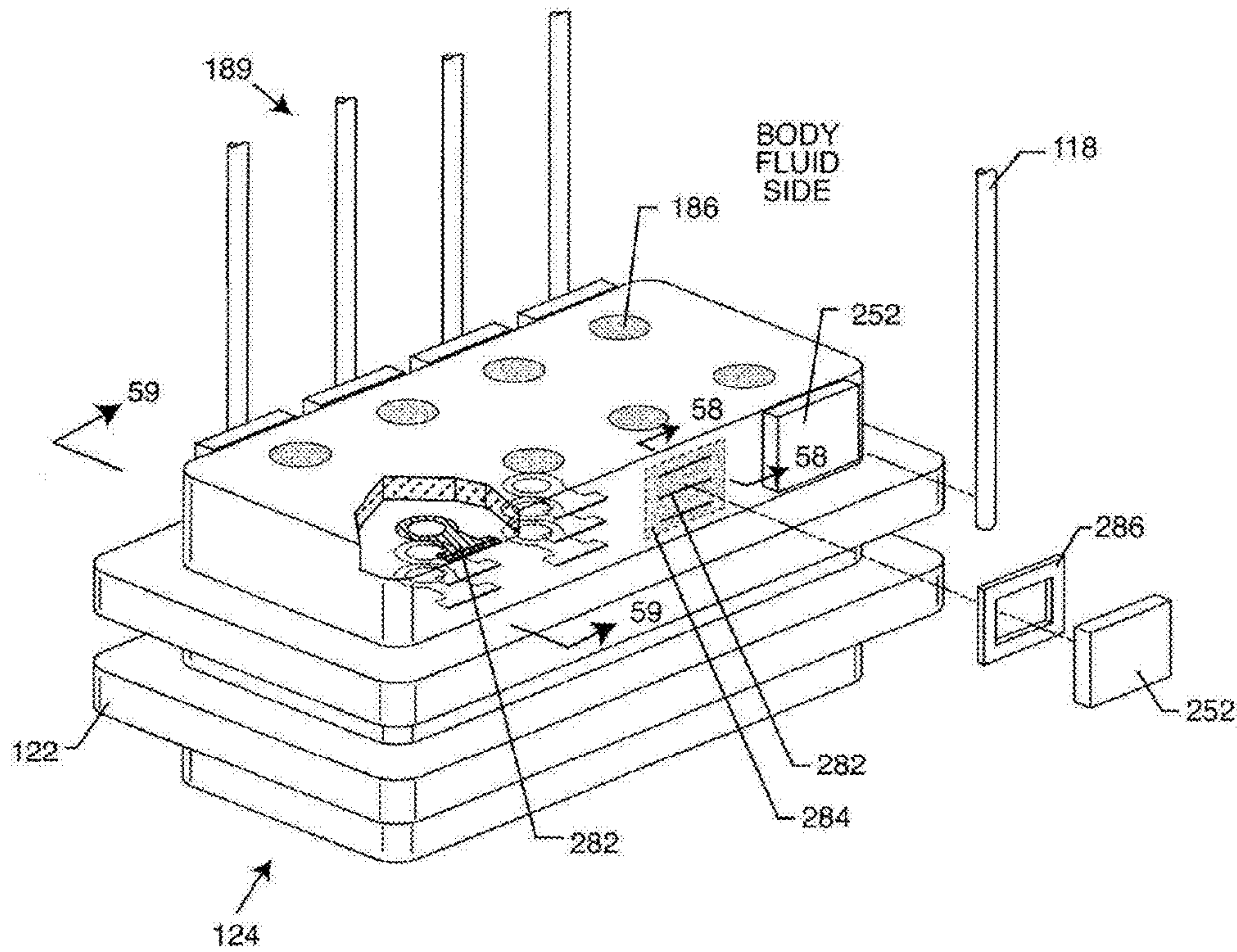


FIG. 57

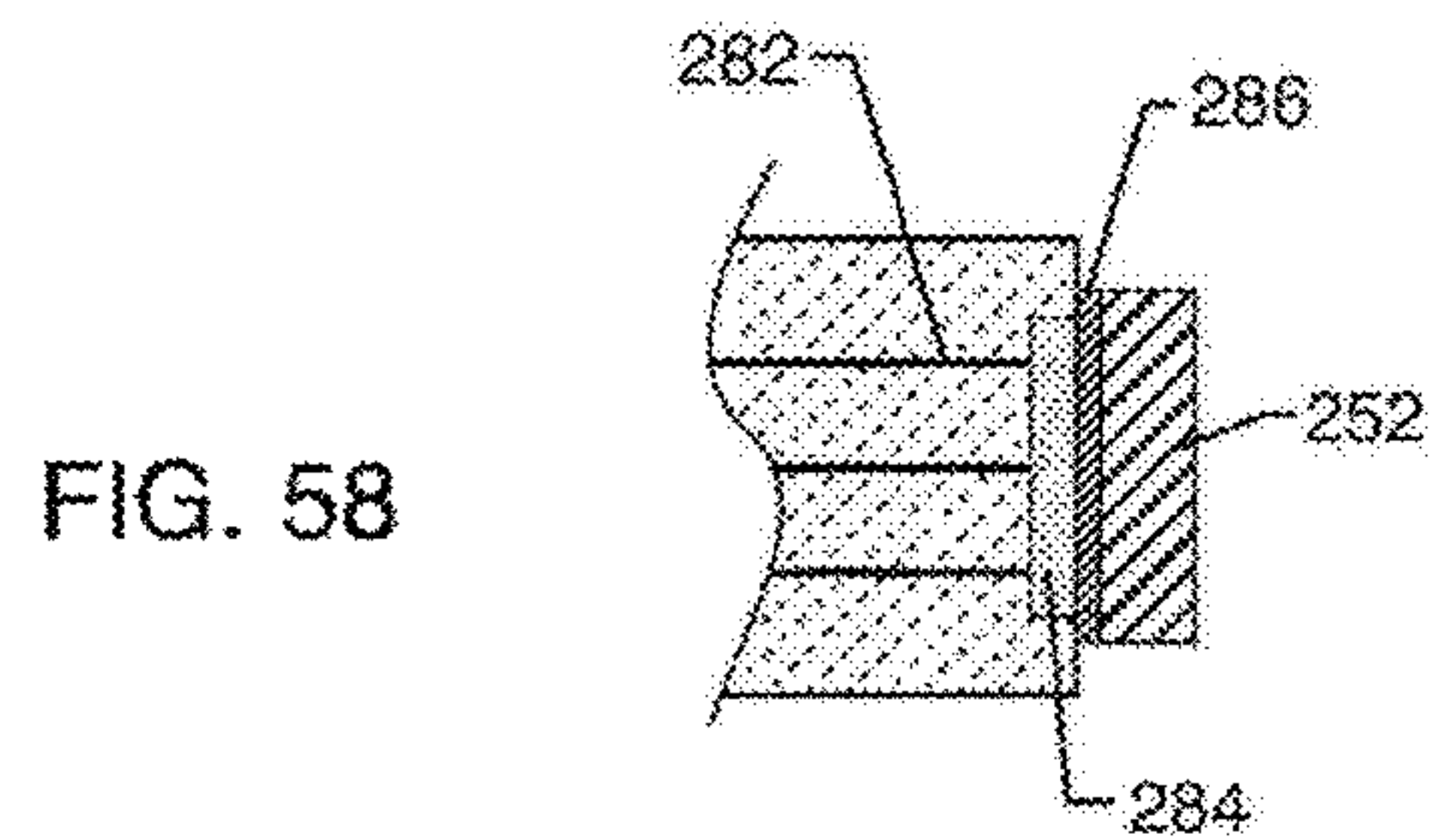


FIG. 58

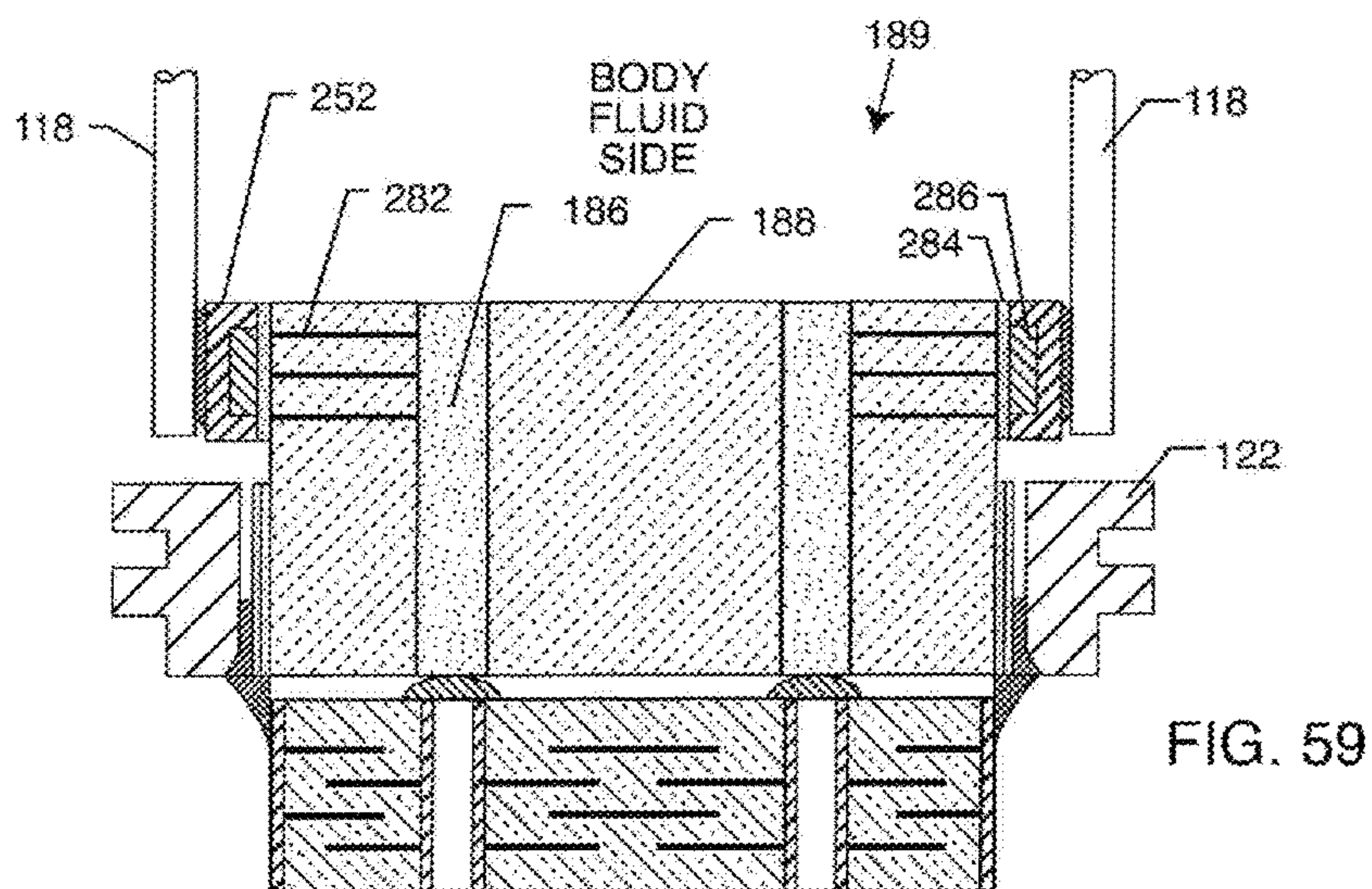


FIG. 59

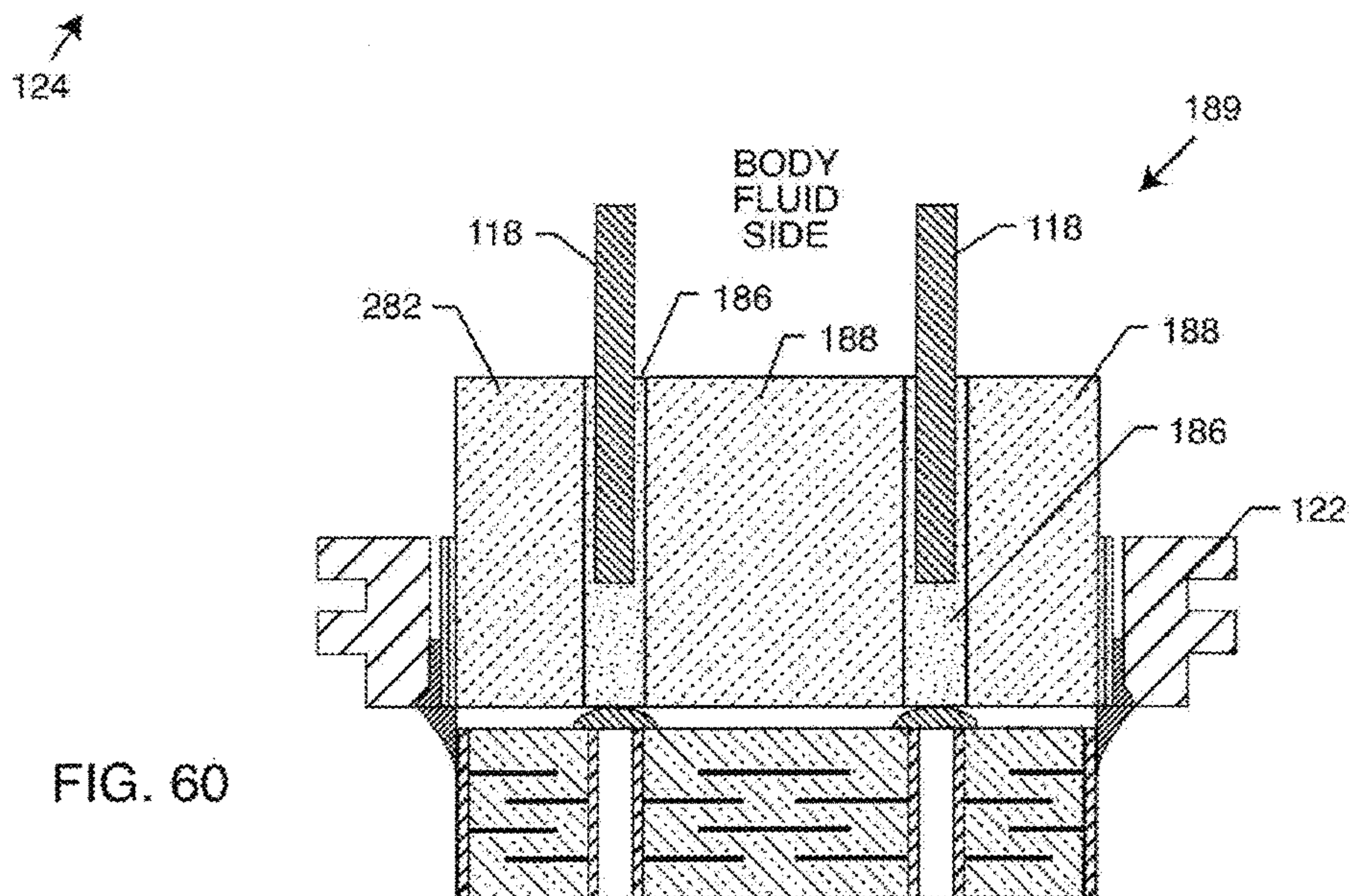
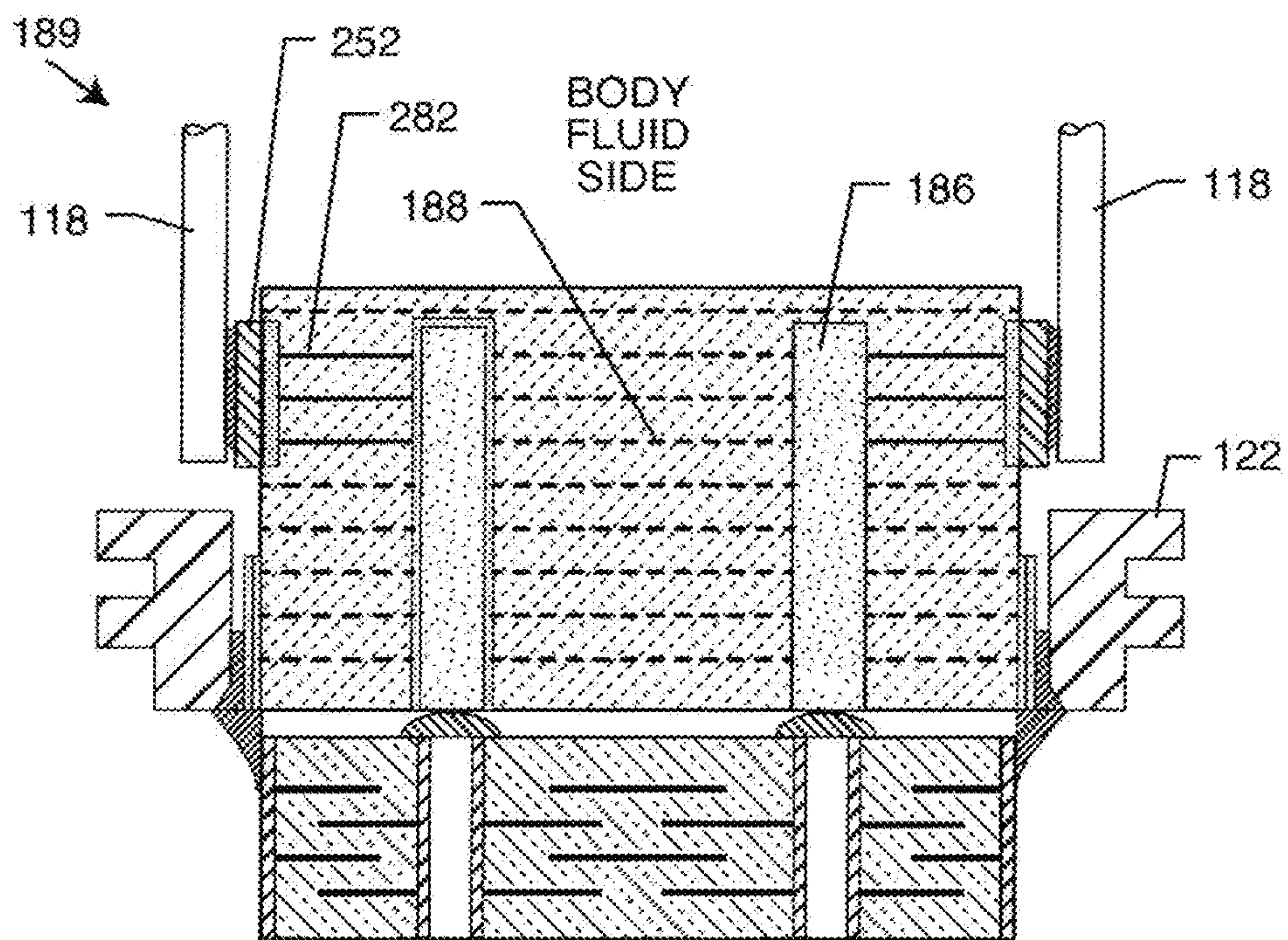


FIG. 60



124

FIG. 61

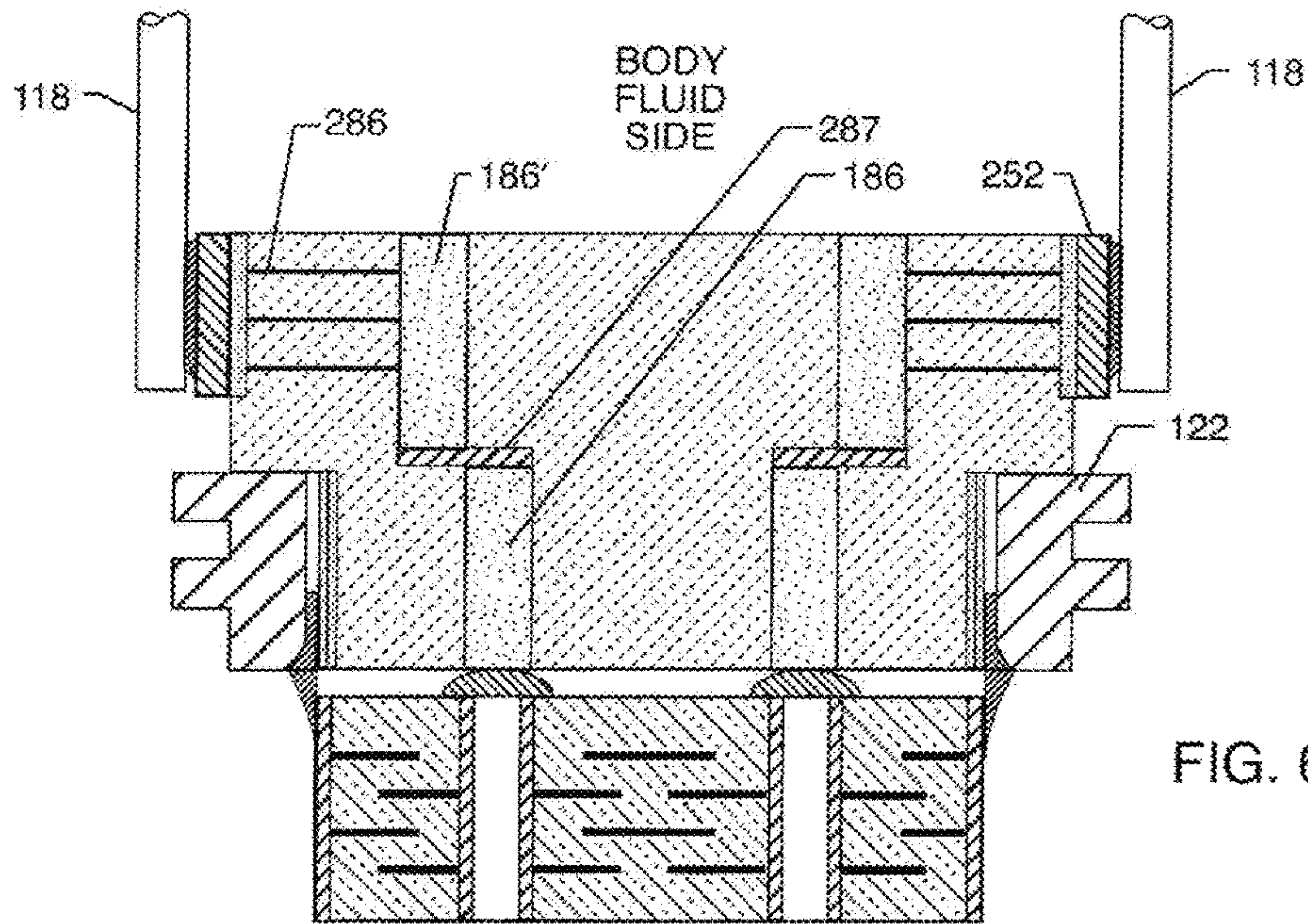


FIG. 62

124 ↗

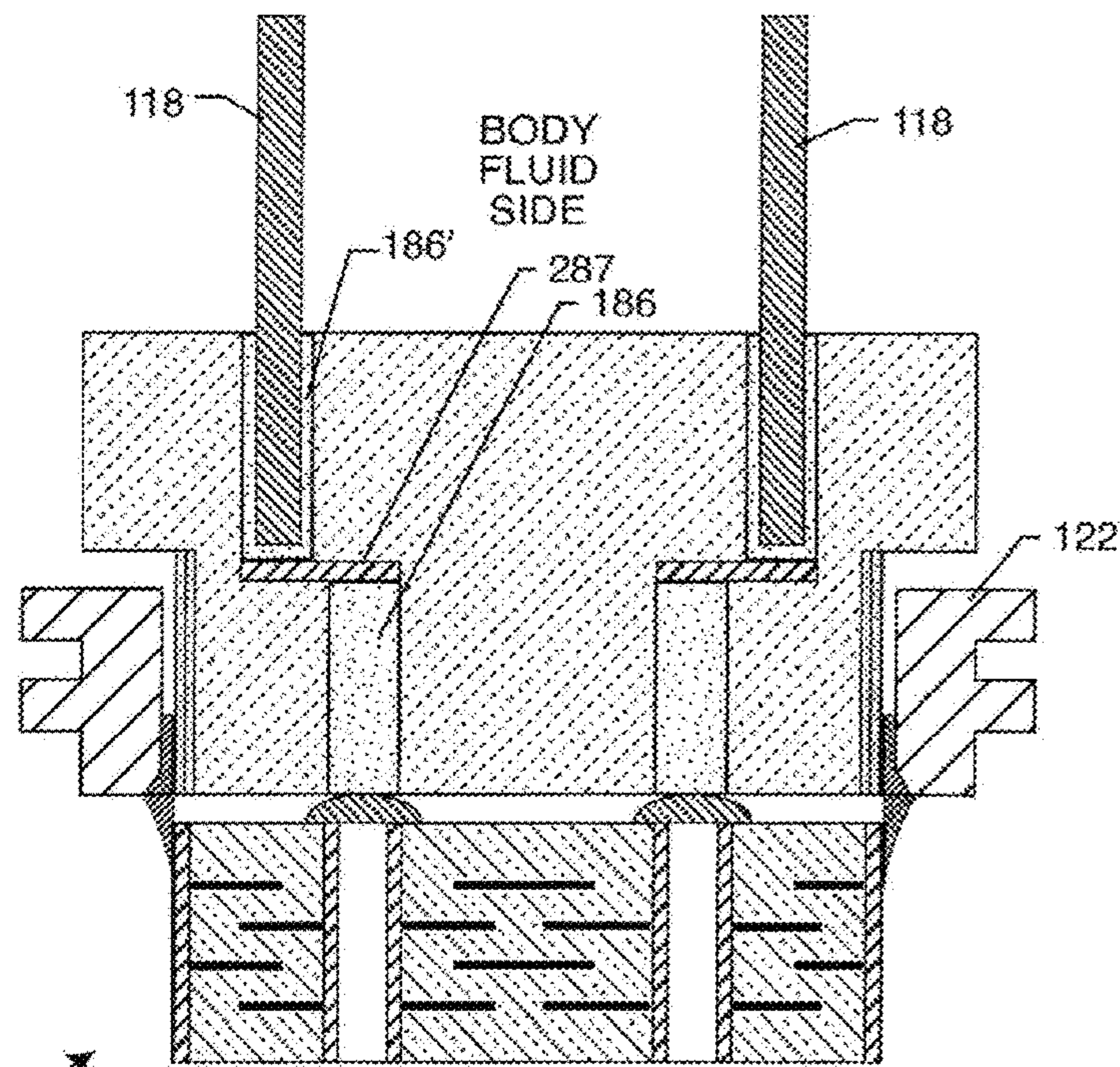
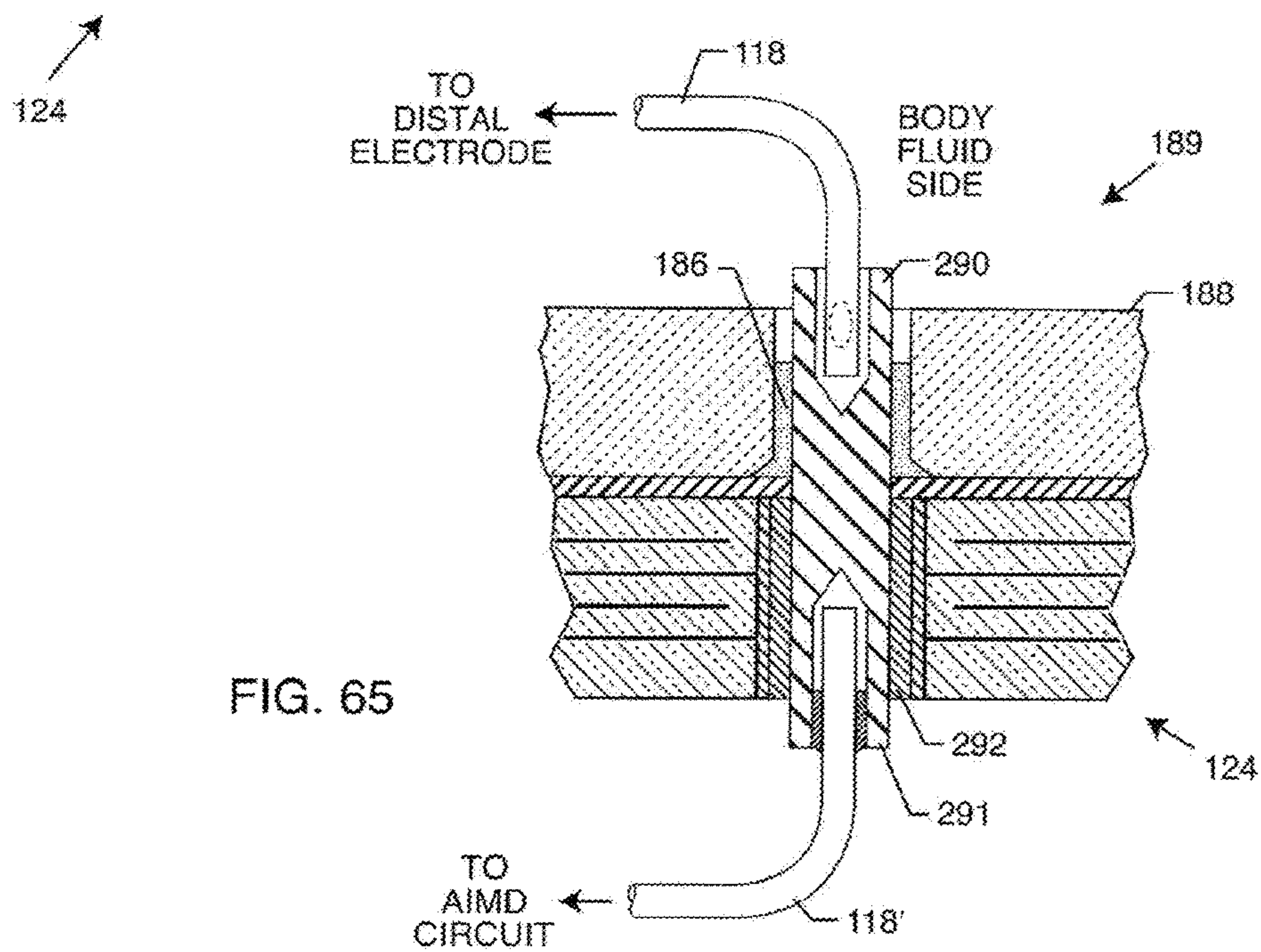
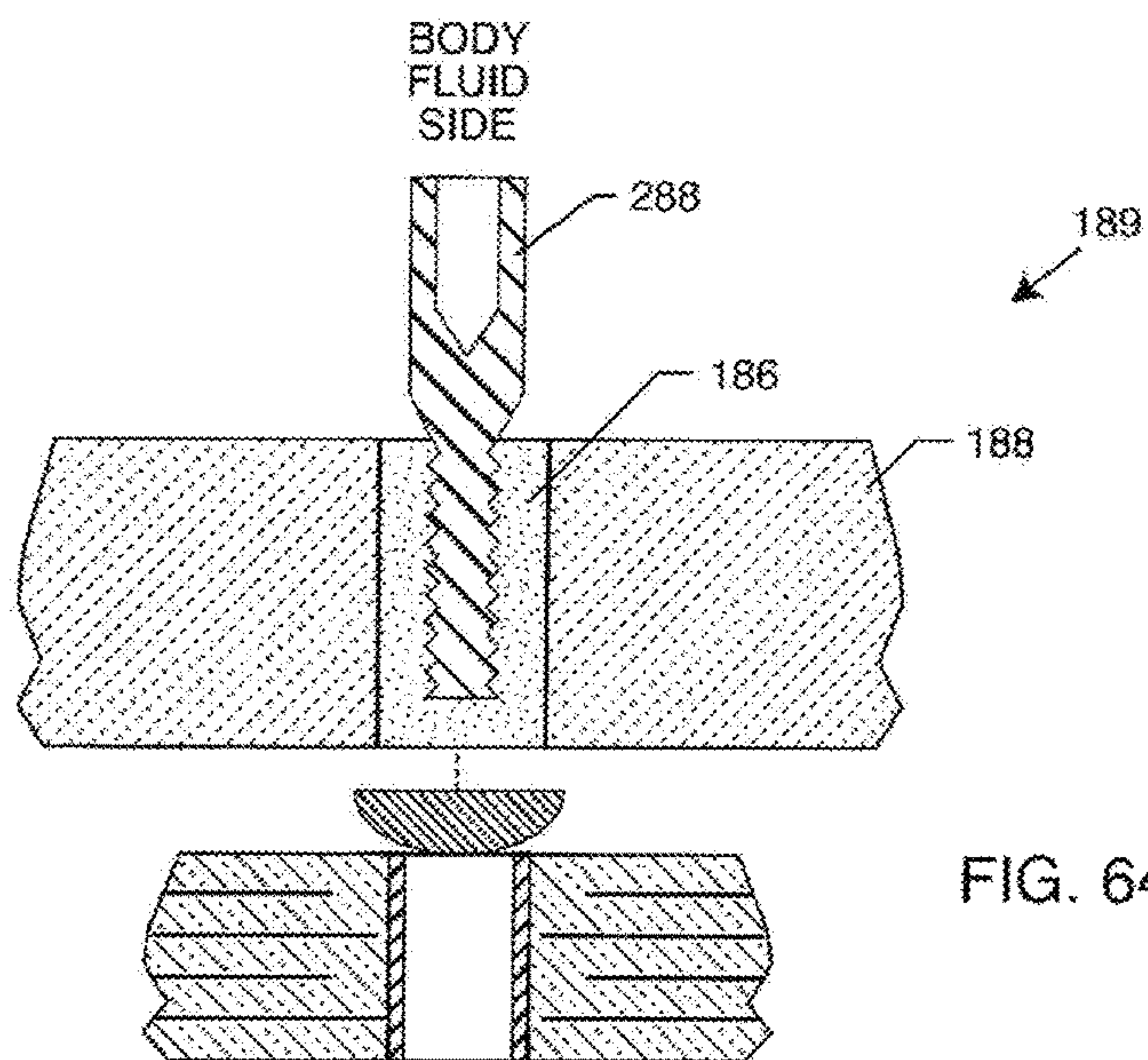
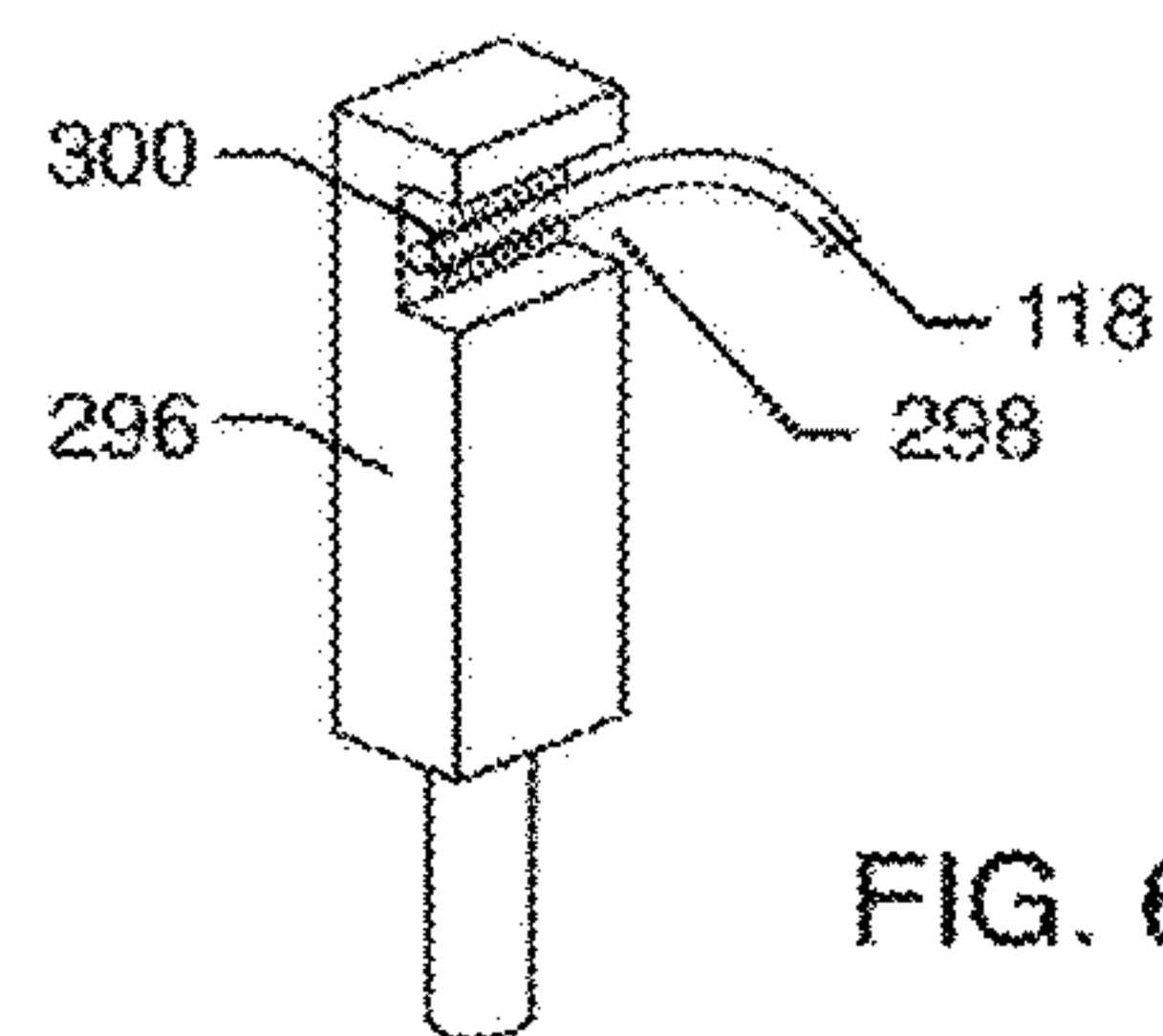
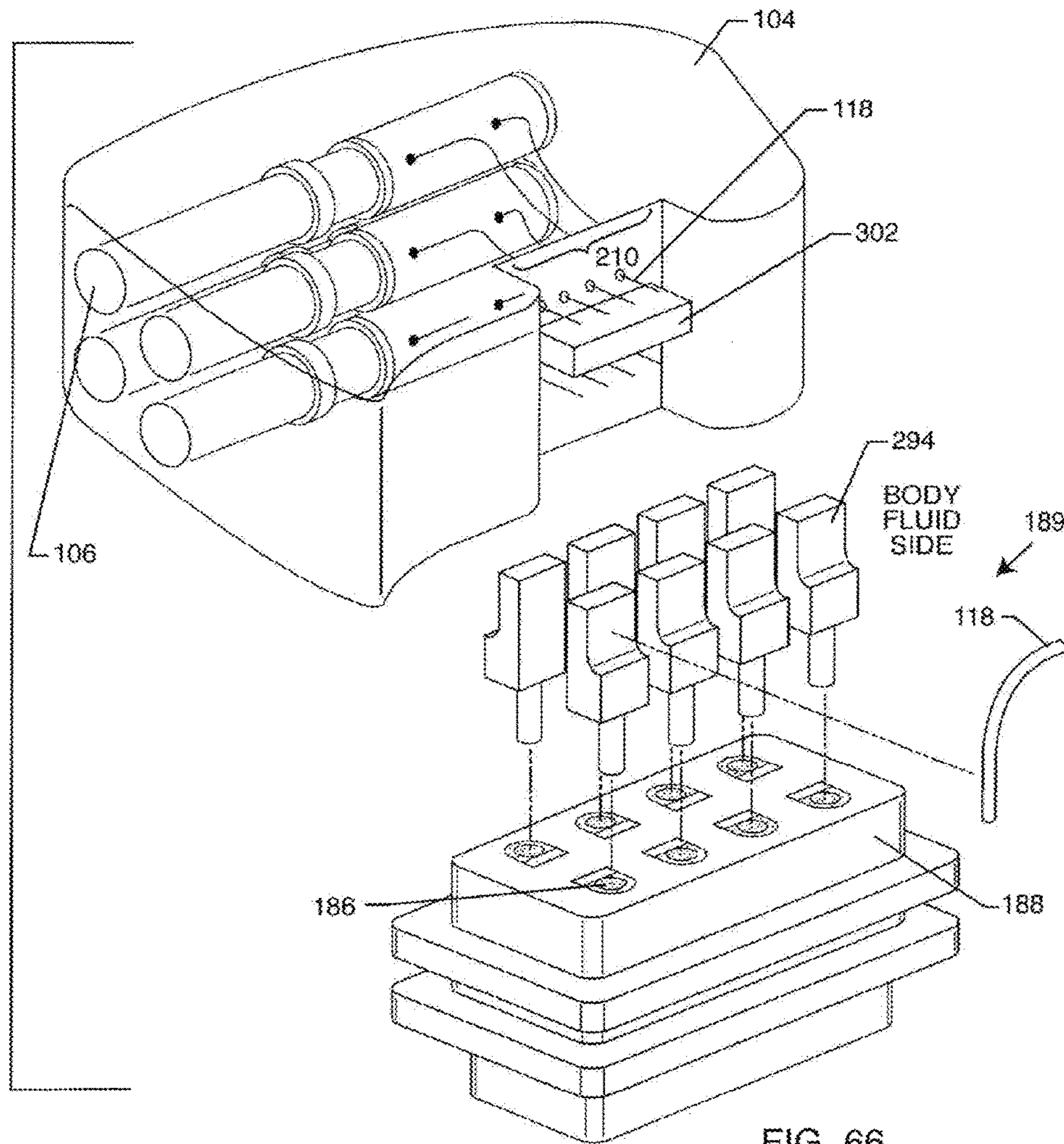


FIG. 63

124 ↗





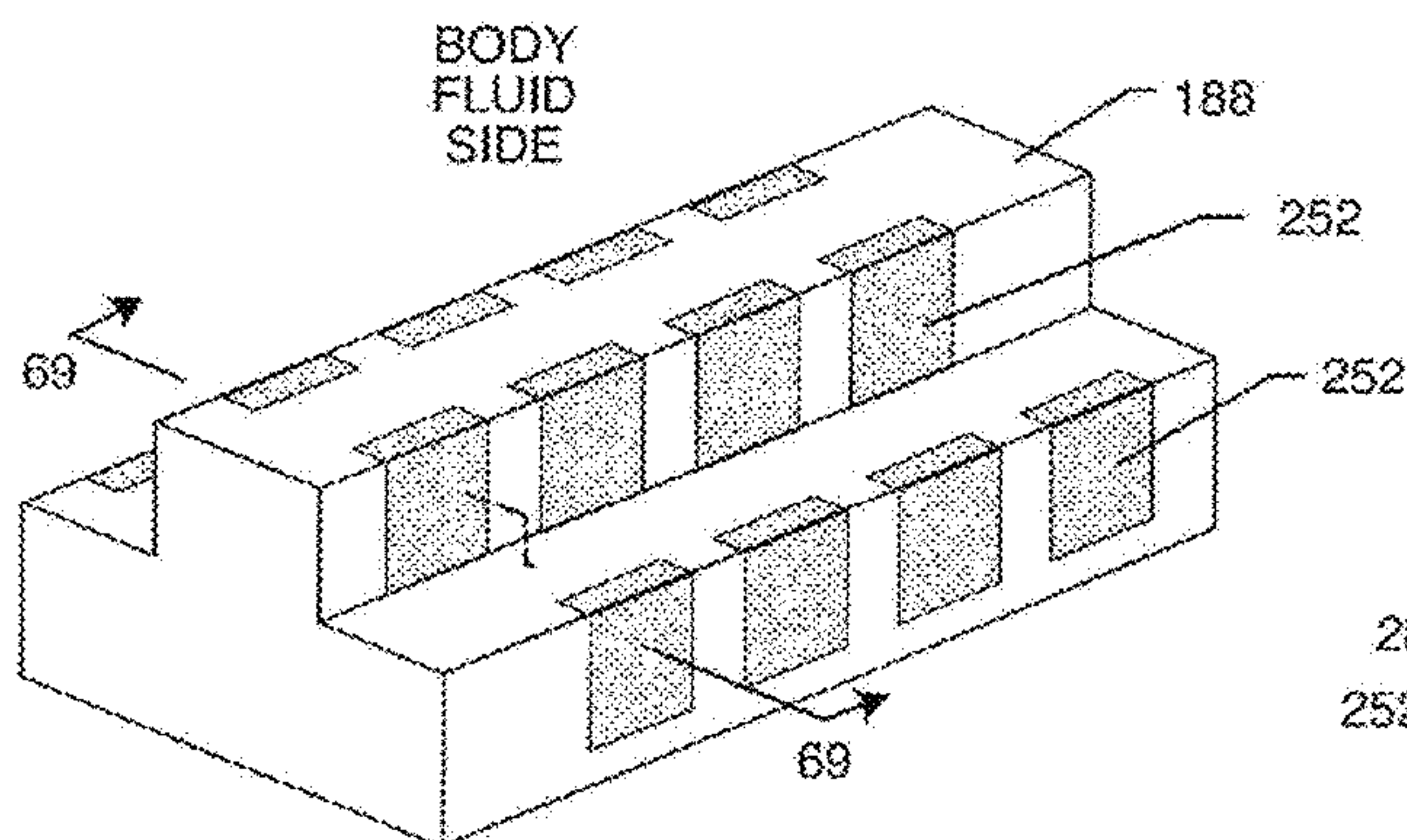


FIG. 68

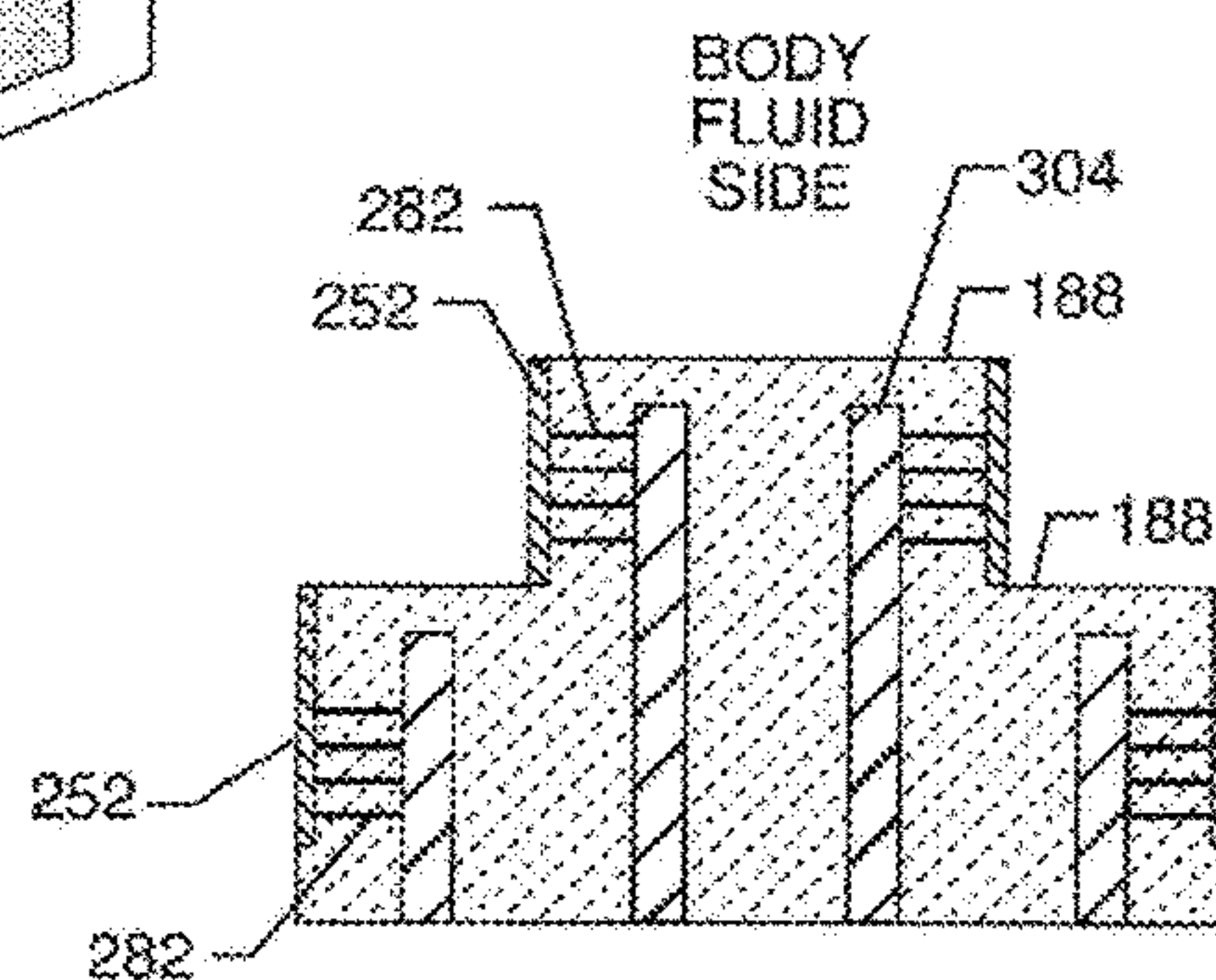


FIG. 69

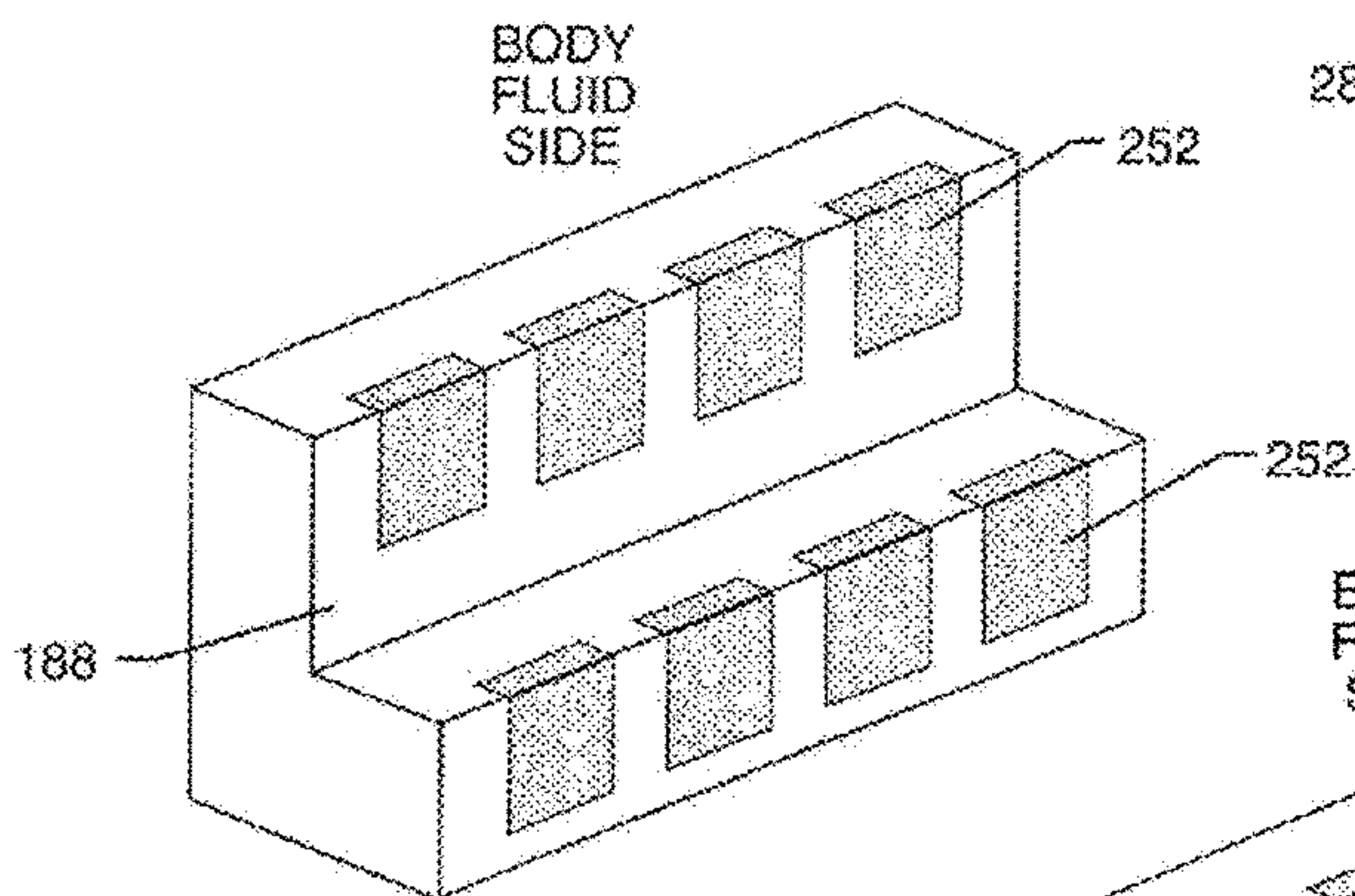


FIG. 70

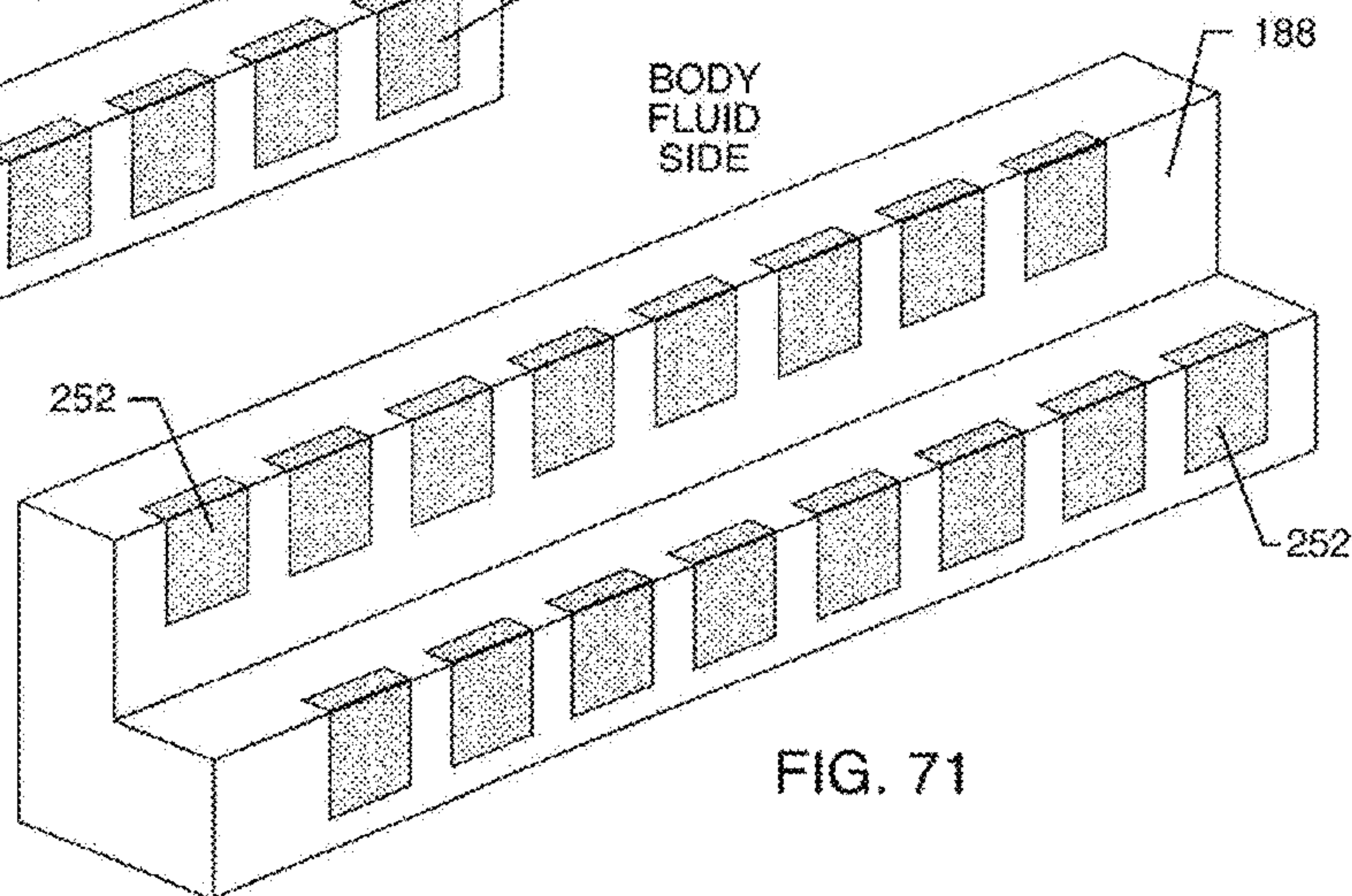


FIG. 71

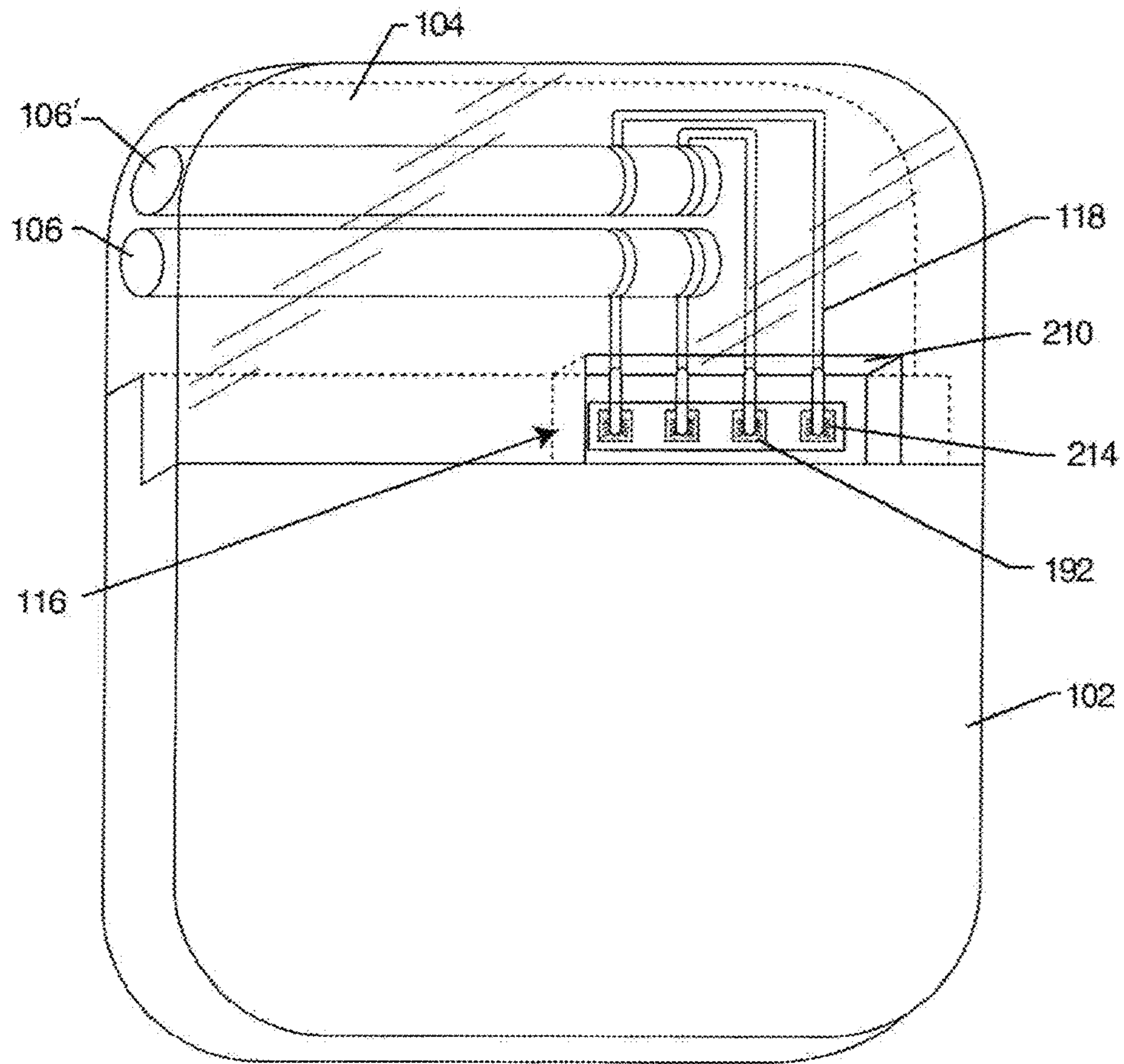
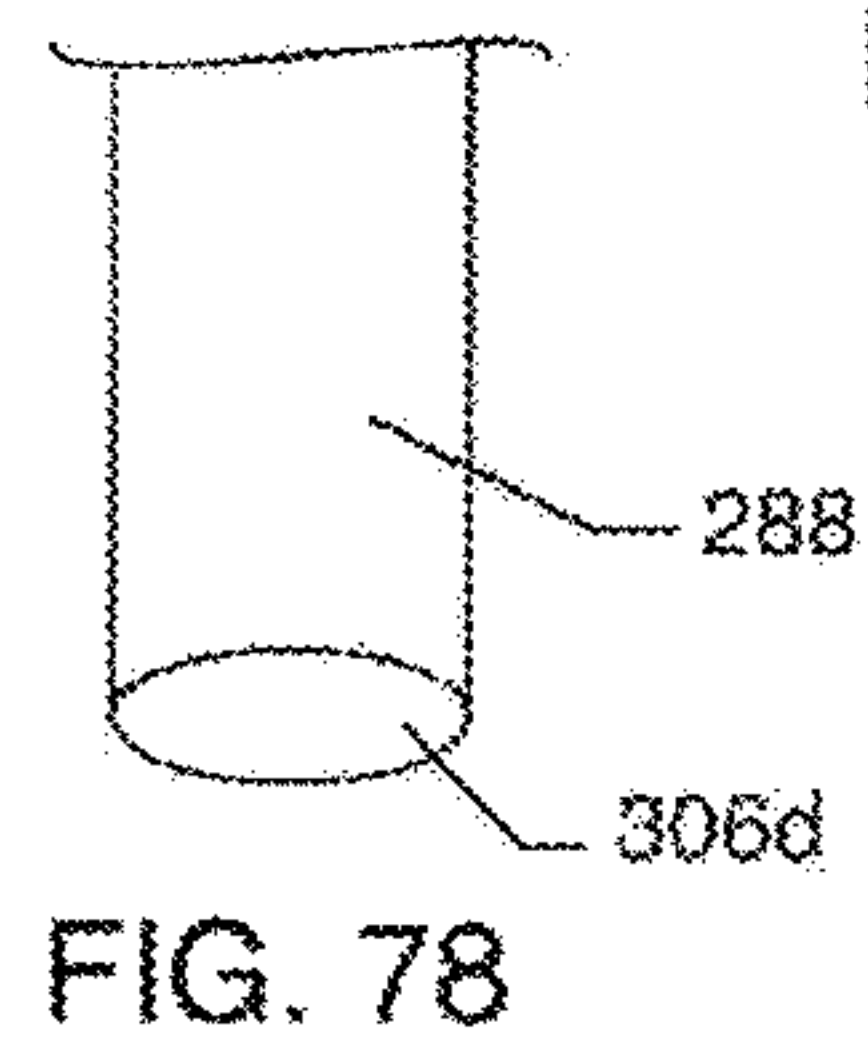
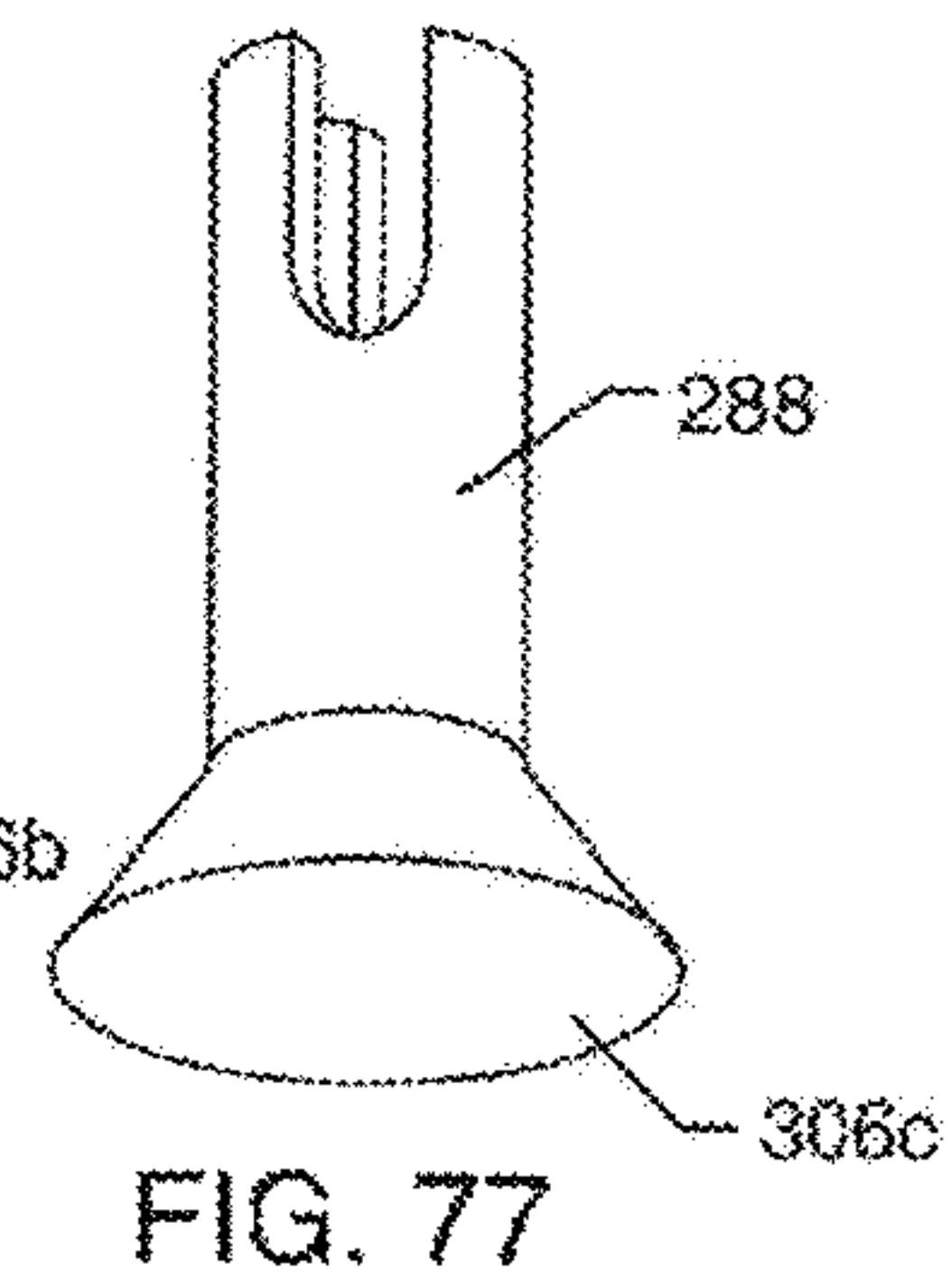
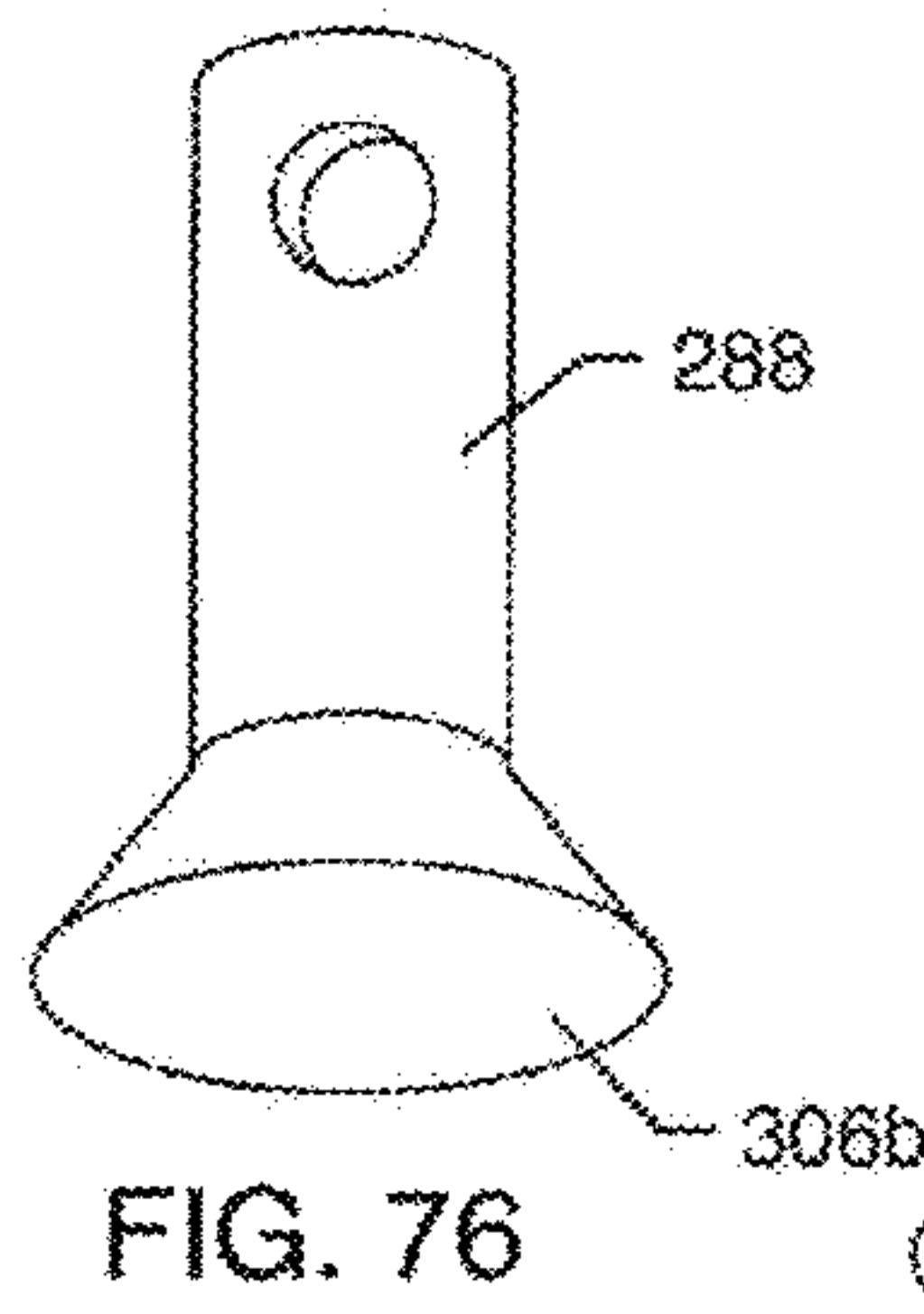
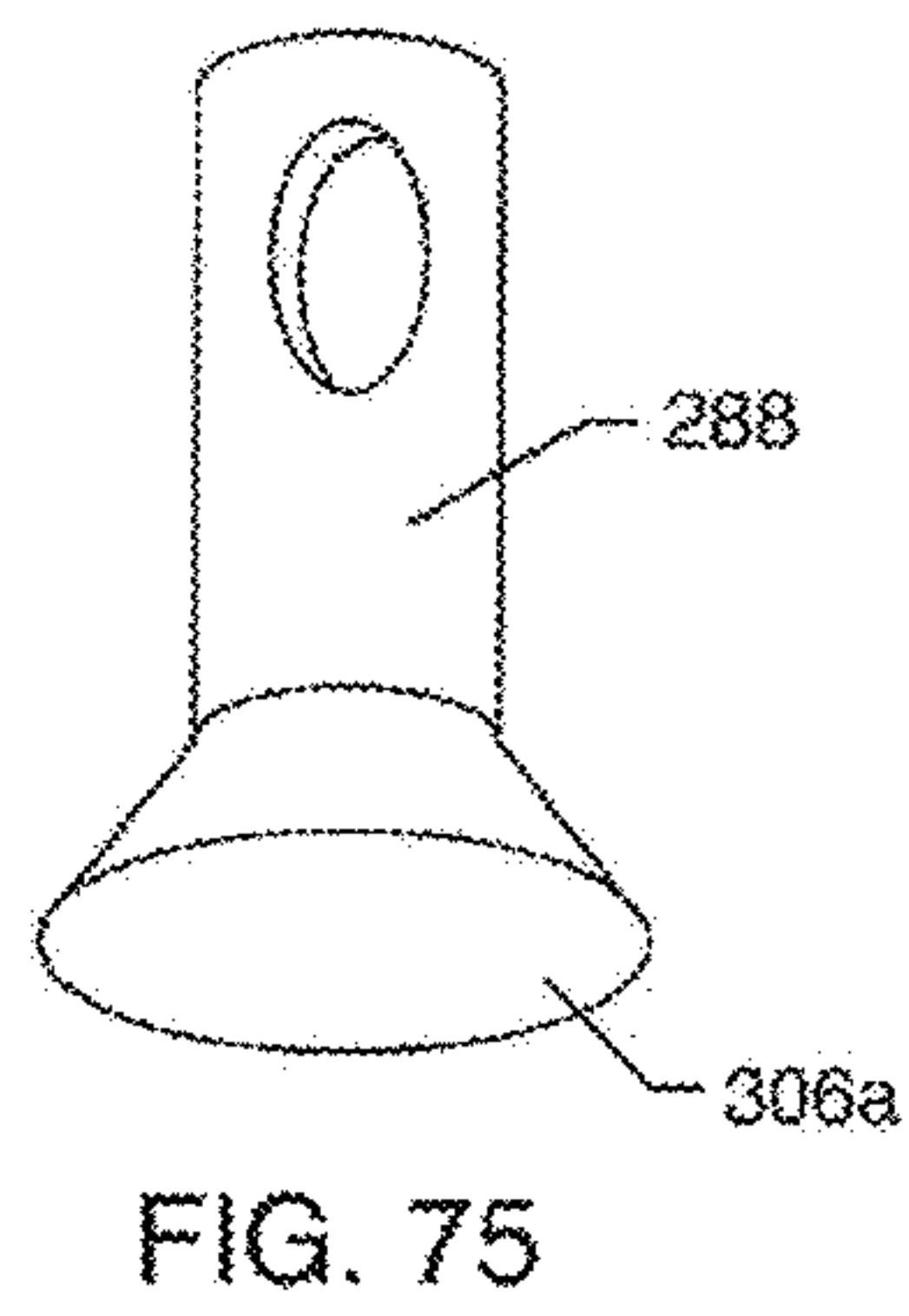
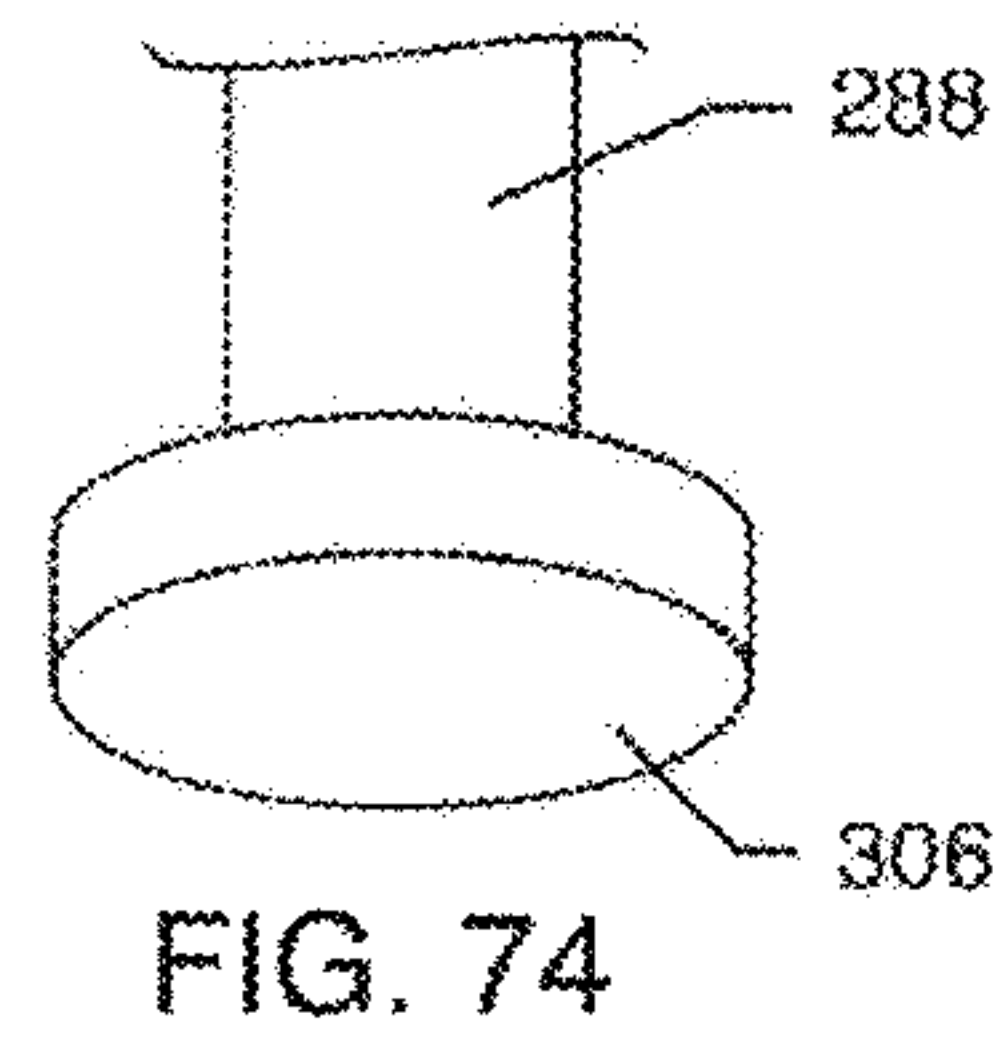
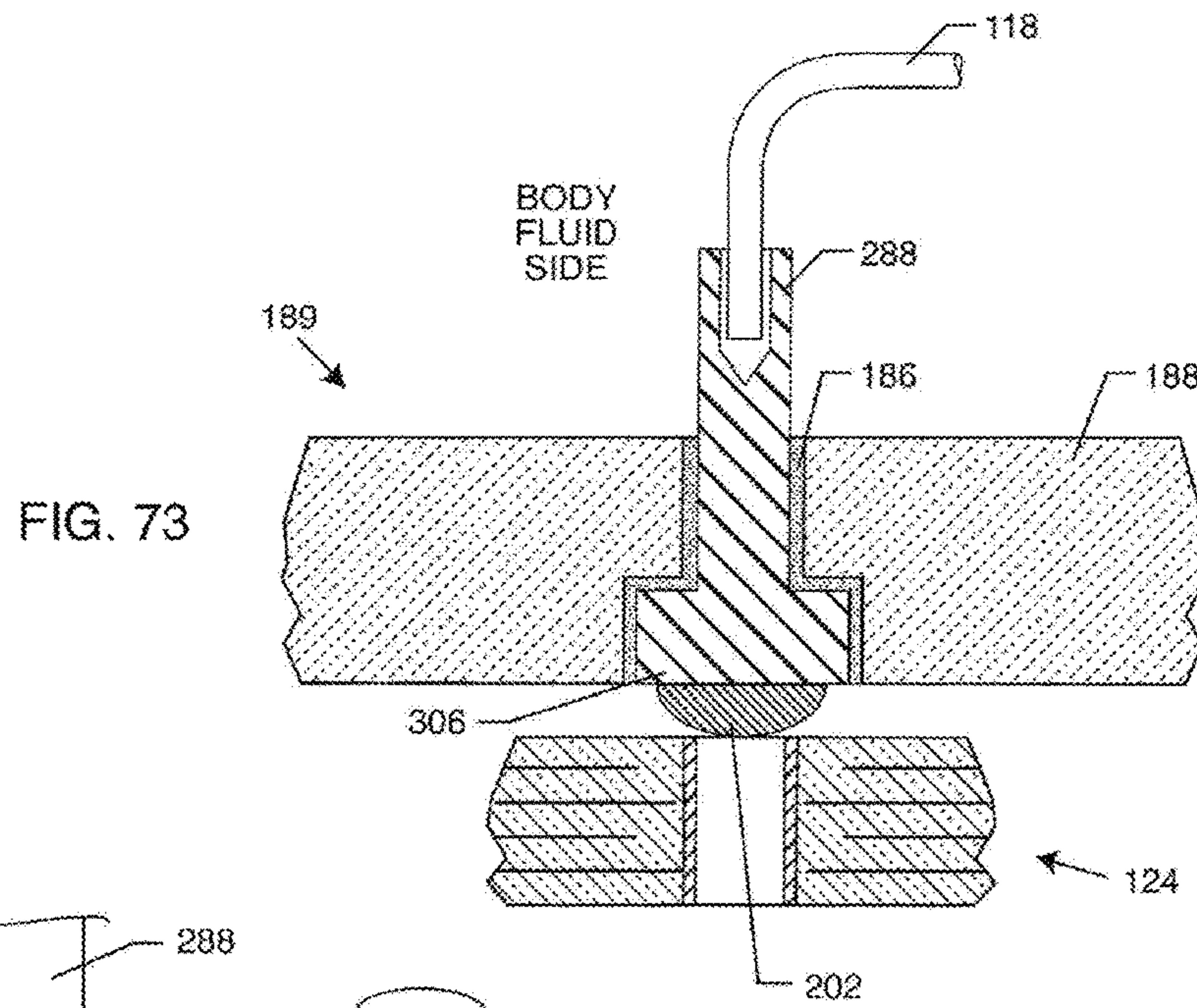


FIG. 72



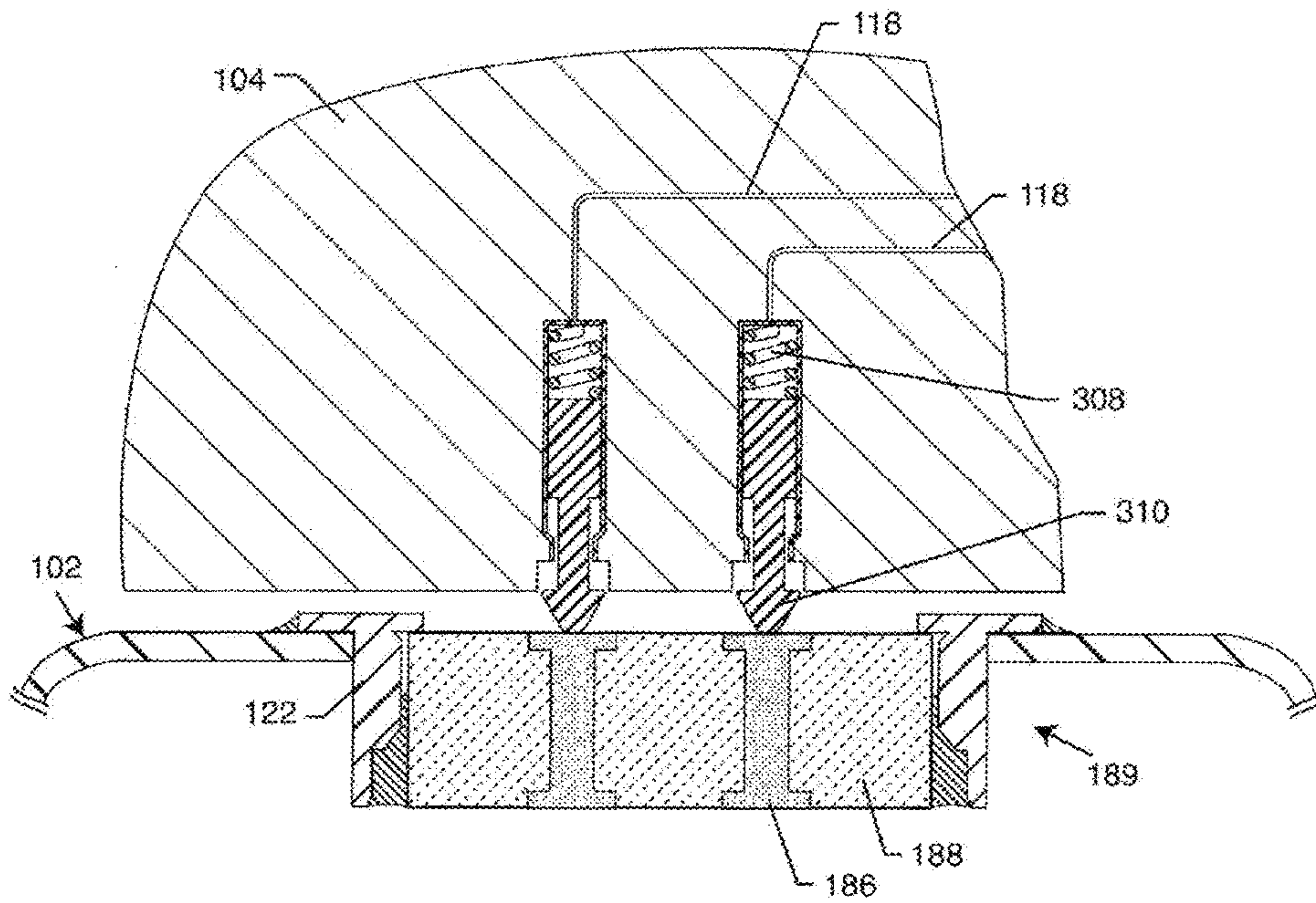


FIG. 79

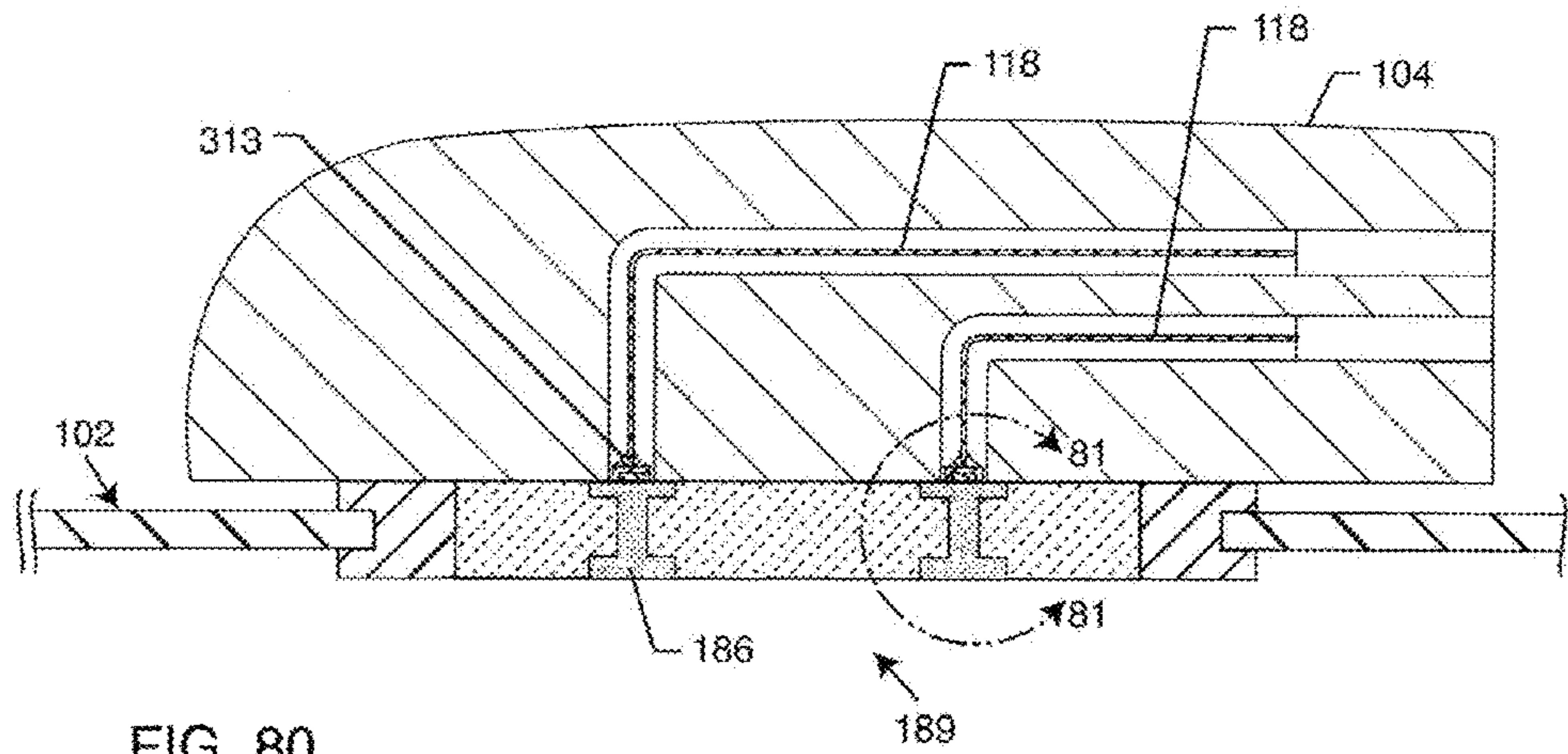


FIG. 80

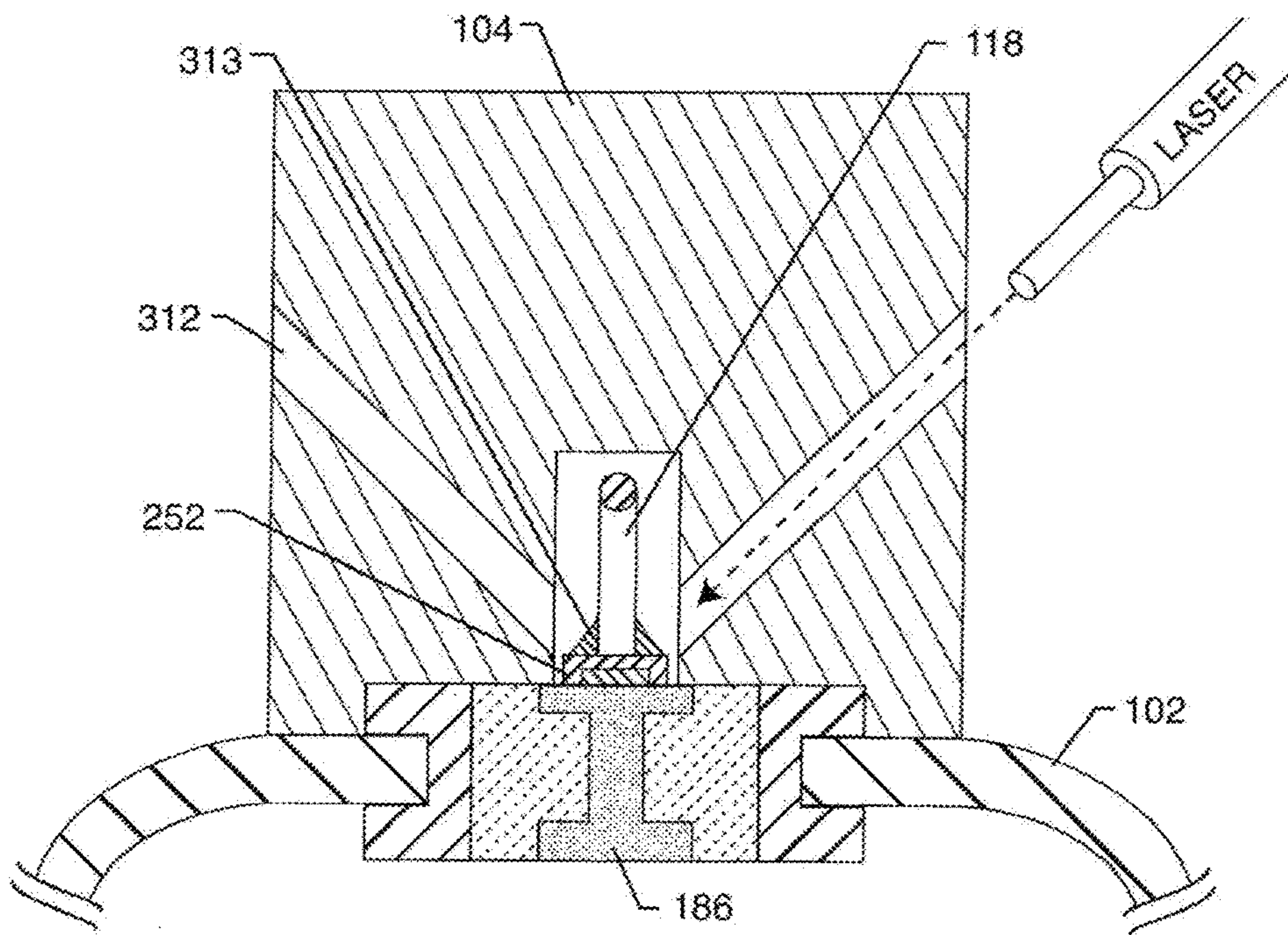


FIG. 81

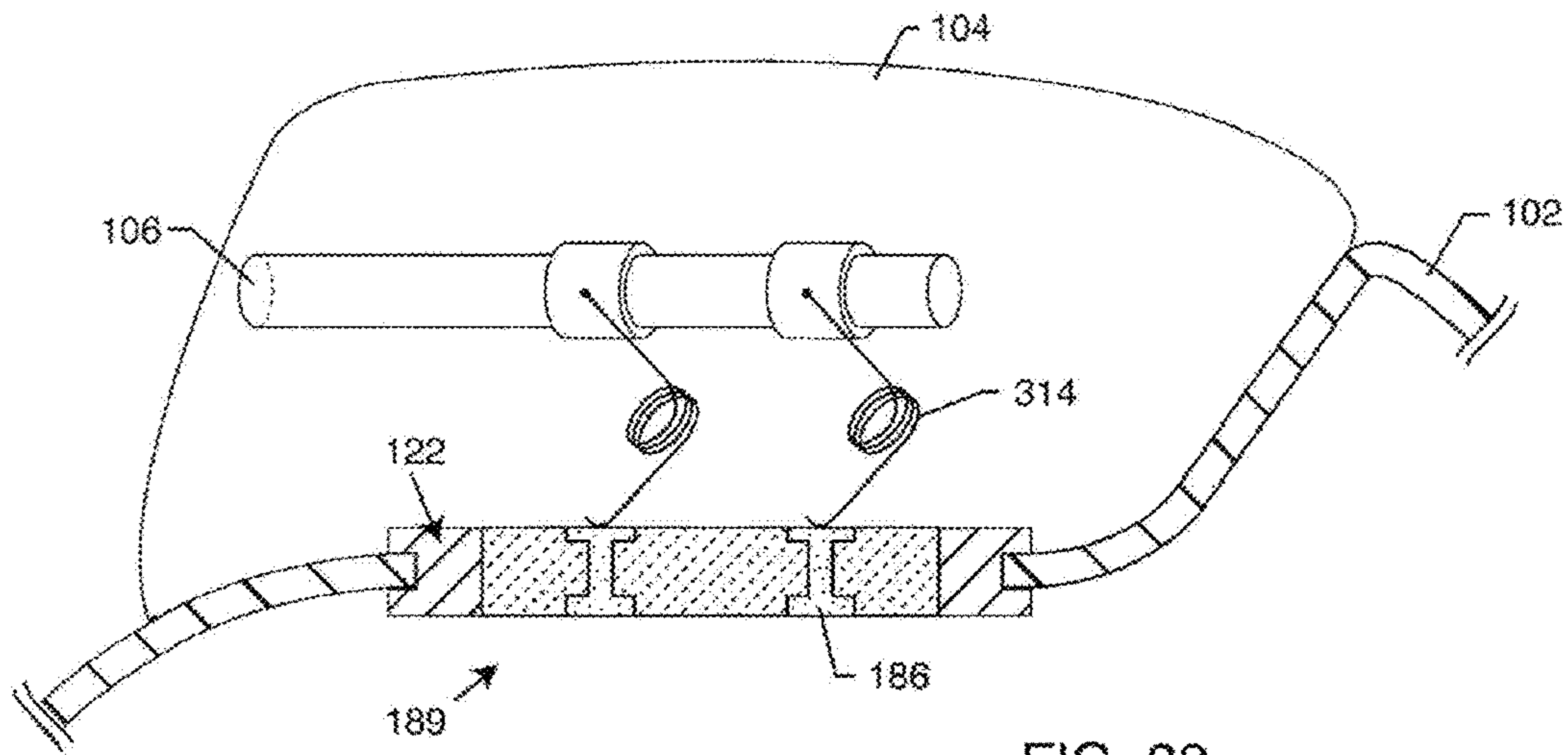


FIG. 82

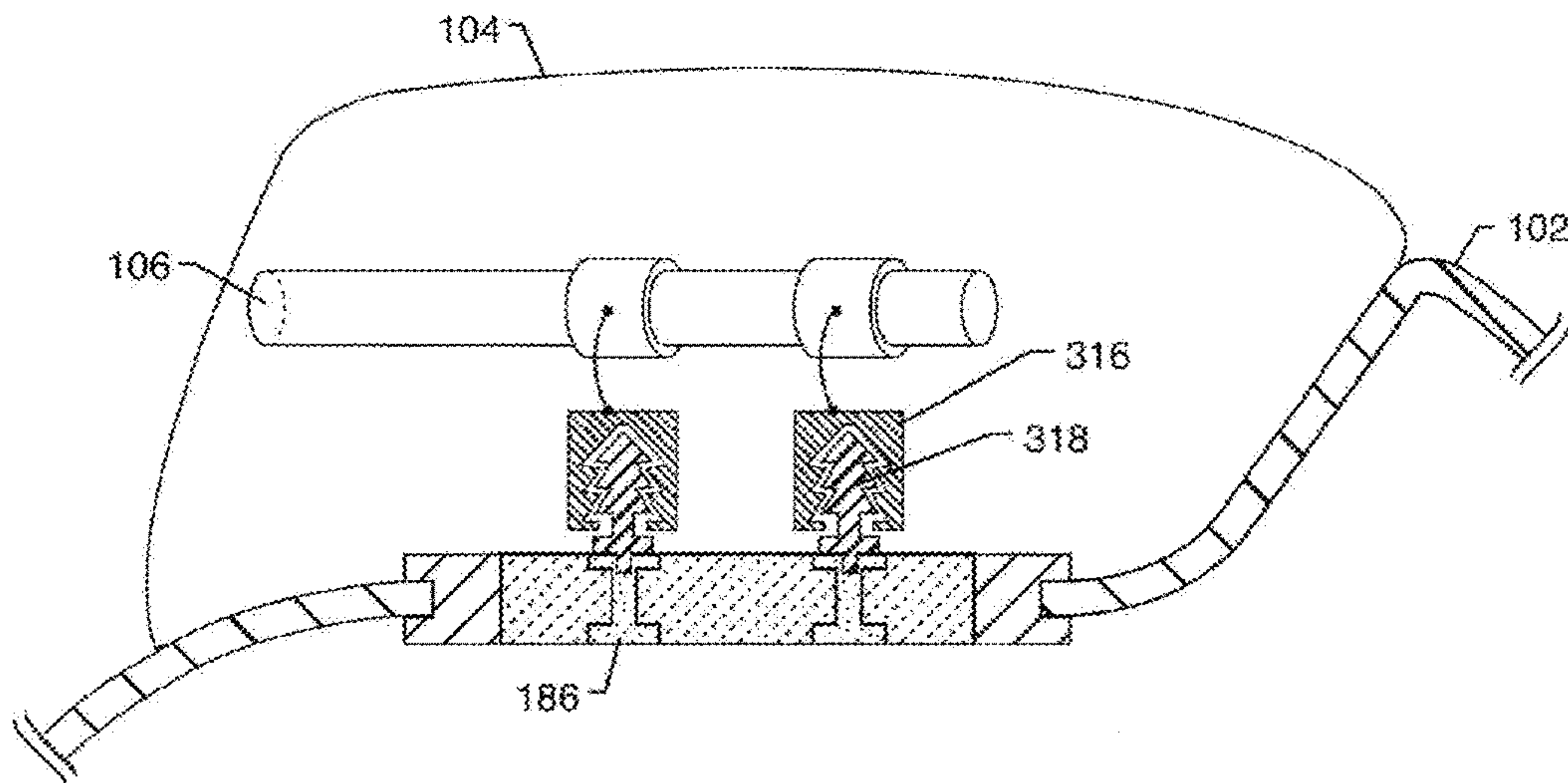


FIG. 83

1

**CO-FIRED HERMETICALLY SEALED
FEEDTHROUGH WITH ALUMINA
SUBSTRATE AND PLATINUM FILLED VIA
FOR AN ACTIVE IMPLANTABLE MEDICAL
DEVICE**

Matter enclosed in heavy brackets [] appears in the original patent but forms no part of this reissue specification; matter printed in italics indicates the additions made by reissue; a claim printed with strikethrough indicates that the claim was canceled, disclaimed, or held invalid by a prior post-patent action or proceeding.

CROSS-REFERENCE TO RELATED
APPLICATIONS

This non-provisional patent application claims priority from U.S. Application Ser. Nos. 61/587,029, filed on Jan. 16, 2012; 61/587,287, filed on Jan. 17, 2012; and 61/587,373, filed on Jan. 17, 2012.

FIELD OF THE INVENTION

The present invention generally relates to implantable medical devices and hermetic terminal subassemblies. More particularly, the present invention relates to a hermetic terminal subassembly utilizing a co-fired essentially pure platinum filled via along with novel ways of making electrical connections on the body fluid and device side of the active implantable medical device (AIMD) housing.

BACKGROUND OF THE INVENTION

A wide assortment of active implantable medical devices (AIMD) are presently known and in commercial use. Such devices include cardiac pacemakers, cardiac defibrillators, cardioverters, neurostimulators, and other devices for delivering and/or receiving electrical signals to/from a portion of the body. Sensing and/or stimulating leads extend from the associated implantable medical device to a distal tip electrode or electrodes in contact with body tissue.

The hermetic terminal or feedthrough of these implantable devices is considered critical. Hermetic terminals or feedthroughs are generally well-known in the art for connecting electrical signals through the housing or case of an AIMD. For example, in implantable medical devices such as cardiac pacemakers, implantable cardioverter defibrillators, and the like, a hermetic terminal comprises one or more conductive terminal pins supported by an insulative structure for feedthrough passage from the exterior to the interior of an AIMD electromagnetic shield housing. Hermetic terminals or feedthroughs for AIMDs must be biocompatible as well as resistant to degradation under applied bias current or voltage. Hermeticity of the feedthrough is imparted by judicious material selection and carefully prescribed manufacturing processing. Sustainable hermeticity of the feedthrough over the lifetime of these implantable devices is critical because the hermetic terminal intentionally isolates the internal circuitry and components of the device from the external environment to which the component is exposed. In particular, the hermetic terminal isolates the internal circuitry, connections, power sources and other components in the device from ingress of body fluids. Ingress of body fluids into an implantable medical device is known to be a contributing factor to device malfunction and may contribute to the compromise or failure of electrical circuitry, connec-

2

tions, power sources and other components within an implantable medical device that are necessary for consistent and reliable device therapy delivery to a patient. Furthermore, ingress of body fluids may compromise an implantable medical device's functionality which may constitute electrical shorting, element or joint corrosion, metal migration or other such harmful consequences affecting consistent and reliable device therapy delivery.

In addition to concerns relative to sustained terminal or feedthrough hermeticity, other potentially compromising conditions must be addressed, particularly when a hermetic terminal or feedthrough is incorporated within an implantable medical device. For example, the hermetic terminal or feedthrough pins are typically connected to one or more lead-wires of implantable therapy delivery leads. These implantable therapy delivery leads can effectively act as antennas of electromagnetic interference (EMI) signals. Therefore, when these electromagnetic signals enter within the interior space of a hermetic implantable medical device, facilitated by the therapy delivery leads, they can negatively impact the intended function of the medical device and as a result, negatively impact therapy delivery intended for a patient by that device. EMI engineers commonly refer to this as the "genie in the bottle" effect. In other words, once the genie (i.e., EMI) is inside the hermetic device, it can wreak havoc with electronic circuit functions by cross-coupling and re-radiating within the device.

Another particularly problematic condition associated with implanted therapy delivery leads occurs when a patient is in an MRI environment. In this case, the electrical currents imposed on the implanted therapy delivery leads can cause the leads to heat to the point where tissue damage is likely. Moreover, the electrical currents developed in these implanted therapy delivery leads during an MRI procedure can disrupt or damage the sensitive electronics within the implantable medical device.

Therefore, materials selection and fabrication processing parameters are of utmost importance in creating a hermetic terminal (or feedthrough) or a structure embodying a hermetic terminal (or feedthrough), that can survive anticipated and possibly catastrophically damaging environmental conditions and that can be practically and cost effectively manufactured.

Hermetic terminals or feedthrough assemblies utilizing ceramic dielectric materials may fail in a brittle manner. A brittle failure typically occurs when the ceramic structure is deformed elastically up to an intolerable stress, at which point the ceramic fails catastrophically. Virtually all brittle failures occur by crack propagation in a tensile stress field. Even microcracking caused by sufficiently high tensile stress concentrations may result in a catastrophic failure including loss of hermeticity identified as critical in hermetic terminals for implantable medical devices. Loss of hermeticity may be a result of design aspects such as a sharp corner which creates a stress riser, mating materials with a difference of coefficient of thermal expansions (CTE) that generate tensile stresses that ultimately result in loss of hermeticity of the feedthrough or interconnect structure.

In the specific case of hermetic terminal or feedthrough designs, a tensile stress limit for a given ceramic based hermetic design structure cannot be specified because failure stress in these structures is not a constant. As indicated above, variables affecting stress levels include the design itself, the materials selection, symmetry of the feedthrough, and the bonding characteristics of mating surfaces within the feedthrough. Hence, length, width and height of the overall ceramic structure matters as do the number, spacing, length

and diameter of the vias in that structure. The selection of the mating materials, that is, the material that fills the vias and the material that forms the base ceramic, are important. Finally, the fabrication processing parameters, particularly at binder burnout, sintering and cool down, make a difference. When high reliability is required in an application such as indicated with hermetic terminals or feedthroughs for AIMDs, to provide assurance for a very low probability of failure it is necessary to design a hermetic terminal assembly or feedthrough structure so that stresses imparted by design, materials and/or processing are limited to a smaller level of an average possible failure stress. Further, to provide assurance for a very low probability of failure in a critical ceramic based assembly or subassembly having sustainable hermetic requirements, it is also necessary to design structures embodying a hermetic terminal or feedthrough such that stresses in the final assembly or subassembly are limited to a smaller level of an average possible failure stress for the entire assembly or subassembly. In hermetic terminals and structures comprising hermetic terminals for AIMDs wherein the demand for biocompatibility exists, this task becomes even more difficult.

The most critical feature of a feedthrough design or any terminal subassembly is the metal/ceramic interface within the feedthrough that establishes the hermetic seal. The present invention therefore, provides a hermetic feedthrough comprising a monolithic alumina insulator substrate within which a platinum conductive pathway or via resides. More specifically, the present invention provides a hermetic feedthrough in which the hermetic seal is created through the intimate bonding of the platinum metal residing within the alumina substrate.

A traditional ceramic-to-metal hermetic terminal is an assembly of three components: metal leadwires that conduct electrical current, a ceramic insulator, and a metal housing, which is referred to as the flange or the ferrule. Brazed joints hermetically seal the metal leadwires and the flange or ferrule to the ceramic insulator. For a braze-bonded joint, the braze material is generally intended to deform in a ductile manner in order to compensate for perturbations that stress the bond between the mating materials as the braze material may provide ductile strain relief when the thermal expansion mismatch between the ceramic and metal is large. Thus, mating materials with large mismatches in CTE can be coupled through braze materials whose high creep rate and low yield strength reduce the stresses generated by the differential contraction existing between these mating materials.

Thermal expansion of metal is generally considerably greater than those of ceramics. Hence, successfully creating a hermetic structure, and one that can sustain its hermeticity in service, is challenging due to the level of residual stresses in the final structure. Specifically, thermal expansion mismatch results in stresses acting along the ceramic/metal interface that tend to separate the ceramic from the metal and so the bond developed between the ceramic and the metal must be of sufficient strength to withstand these stresses, otherwise adherence failure, that is, loss of hermeticity, will occur. One method for limiting these stresses is to select combinations of materials whose thermal contractions after bonding are matched.

In making the selection for a CTE match, it is important to note that very few pairs of materials have essentially identical thermal expansion curves. Generally, the metal component is selected first based on electrical and thermal conductivity, thermal expansion, ability to be welded or soldered, mechanical strength, and chemical resistance or

biocompatibility requirements; the ceramic is then selected based primarily on electrical resistivity, dielectric strength, low gas permeability, environmental stability, and thermal expansion characteristics. In the specific case of selecting platinum wire, often the ceramic formulation is modified in order to match its CTE to that of the platinum wire. In yet a more specific case of selecting platinum paste, the platinum paste formulation may be modified as well. If the mating materials are alumina of at least 96% purity and essentially pure platinum paste, then matching CTE is not possible. Thus, for AIMD's, consistently achieving hermetic terminal structures that are capable of sustaining hermeticity throughout the application's service life has proven challenging.

Producing a stress-free structure often not only involves bonding a pair of materials but also achieving that bond at a very specific temperature so that their contractions on cooling to room temperature are essentially the same even though the contraction curves may not coincide. Since this often is a significant challenge, hermetic terminals are produced by metalizing the alumina and using a brazing material to form the bond at some other temperature than an intersection of the CTE curves. (NOTE: Forming a bond between two materials that become rigid at the intersection of the two CTE curves makes it possible to produce a structure that is stress free at room temperature, unless the two CTE curves separate substantially from each other from the intersection point and room temperature.) The deformation of the braze material by time-independent plastic flow or creep relaxation limits the stresses generated in the ceramic. Given this, the impact of the rate of cooling on the final stress level of a structure must also be considered. In some cases, residual stresses are generated deliberately to provide protective compressive stresses in the ceramic part and in the bond interface. Usually this is accomplished by selecting components with different CTEs. Another way is to control the shrinkage of one material over its mating material. In either case, it is important to minimize stress levels such that the interface on which hermeticity depends is well within the stress level at which failure might occur.

In an embodiment, the present invention is directed to mating bound particulate high purity alumina of at least 96% and particles of essentially pure platinum metal that are suspended within a mixture of solvents and binders, i.e. a platinum paste. This combination of materials does not use a braze material to buffer the CTE mismatch between these two materials. Further, since the intent of this invention is to provide hermetic terminals and subassemblies comprising hermetic terminals for AIMDs, the present invention does not consider modifications to the alumina formulation or the platinum paste in an attempt to match their CTEs. Rather, this invention discloses sustainable hermetic terminals and structures embodying these hermetic terminals. This is achieved by adjusting platinum paste solids loading, prescribing via packing, prescribing binder burnout, sintering and cool down parameters, such that shrinkage of the alumina is greater than the shrinkage of the platinum fill in the via and an intimate and tortuous (a mutually conformal) interface is created that may be either a direct bond between the alumina and platinum materials that is hermetic. Alternatively, or that may develop an amorphous interfacial layer that is not susceptible to erosion by body fluids and can tolerate stress levels without losing hermeticity.

Regarding EMI, a terminal or feedthrough capacitor EMI filter may be disposed at, near or within a hermetic terminal or feedthrough resulting in a feedthrough filter capacitor which diverts high frequency electrical signals from lead

5

conductors to the housing or case of an AIMD. Many different insulator structures and related mounting methods are known in the art for use of feedthrough capacitor EMI filters in AIMDs, wherein the insulative structure also provides a hermetic terminal or feedthrough to prevent entry of body fluids into the housing of an AIMD. In the prior art devices, the hermetic terminal subassembly has been combined in various ways with a ceramic feedthrough filter EMI capacitor to decouple interference signals to the housing of the medical device.

In a typical prior art unipolar construction (as described in U.S. Pat. No. 5,333,095 and herein incorporated by reference), a round/discoidal (or rectangular) ceramic feedthrough EMI filter capacitor is combined with a hermetic terminal pin assembly to suppress and decouple undesired interference or noise transmission along a terminal pin. The feedthrough capacitor is coaxial having two sets of electrode plates embedded in spaced relation within an insulative dielectric substrate or base, formed typically as a ceramic monolithic structure. One set of the electrode plates are electrically connected at an inner diameter cylindrical surface of the coaxial capacitor structure to the conductive terminal pin utilized to pass the desired electrical signal or signals. The other or second set of electrode plates are coupled at an outer diameter surface of the round/discoidal capacitor to a cylindrical ferrule of conductive material, wherein the ferrule is electrically connected in turn to the conductive housing of the electronic device. The number and dielectric thickness spacing of the electrode plate sets varies in accordance with the capacitance value and the voltage rating of the coaxial capacitor. The outer feedthrough capacitor electrode plate sets (or "ground" plates) are coupled in parallel together by a metalized layer which is either fired, sputtered or plated onto the ceramic capacitor. This metalized band, in turn, is coupled to the ferrule by conductive adhesive, soldering, brazing, welding, or the like. The inner feedthrough capacitor electrode plate sets (or "active" plates) are coupled in parallel together by a metalized layer which is either glass frit fired or plated onto the ceramic capacitor. This metalized band, in turn, is mechanically and electrically coupled to the lead wire(s) by conductive adhesive, soldering, or the like. In operation, the coaxial capacitor permits passage of relatively low frequency biologic signals along the terminal pin, while shielding and decoupling/attenuating undesired interference signals of typically high frequency to the AIMD conductive housing. Feedthrough capacitors of this general type are available in unipolar (one), bipolar (two), tripolar (three), quadpolar (four), pentapolar (five), hexpolar (6) and additional lead configurations. The feedthrough capacitors (in both discoidal and rectangular configurations) of this general type are commonly employed in implantable cardiac pacemakers and defibrillators and the like, wherein the pacemaker housing is constructed from a biocompatible metal such as titanium alloy, which is electrically and mechanically coupled to the ferrule of the hermetic terminal pin assembly which is in turn electrically coupled to the coaxial feedthrough filter capacitor. As a result, the filter capacitor and terminal pin assembly prevents entrance of interference signals to the interior of the pacemaker housing, wherein such interference signals could otherwise adversely affect the desired cardiac pacing or defibrillation function.

Regarding MRI related issues, bandstop filters, such as those described in U.S. Pat. No. 6,008,980, which is herein incorporated by reference, reduce or eliminate the transmission of damaging frequencies along the leads while allowing the desired biologic frequencies to pass efficiently through.

6

Referring once again to feedthrough capacitor EMI filter assemblies, although these assemblies as described earlier have performed in a generally satisfactory manner, and notwithstanding that the associated manufacturing and assembly costs are unacceptably high in that the choice of the dielectric material for the capacitor has significant impacts on cost and final performance of the feedthrough filter capacitor, alumina ceramic has not been used in the past as the dielectric material for AIMD feedthrough capacitors. Alumina ceramic is structurally strong and biocompatible with body fluids but has a dielectric constant around 6 (less than 10). There are other more effective dielectric materials available for use in feedthrough filter capacitor designs. Relatively high dielectric constant materials (for example, barium titanate with a dielectric constant of over 2,000) are traditionally used to manufacture AIMD feedthrough capacitors for integrated ceramic capacitors and hermetic seals resulting in more effective capacitor designs. Yet ceramic dielectric materials such as barium titanate are not as strong as the alumina ceramic typically used to manufacture the hermetic seal subassembly in the prior art. Barium titanate is also not biocompatible with body fluids. Direct assembly of the ceramic capacitor can result in intolerable stress levels to the capacitor due to the mismatch in thermal coefficients of expansion between the titanium pacemaker housing (or other metallic structures) and the capacitor dielectric. Hence, particular care must be used to avoid cracking of the capacitor element. Accordingly, the use of dielectric materials with a low dielectric constant and a relatively high modulus of toughness are desirable yet still difficult to achieve for capacitance-efficient designs.

Therefore, it is very common in the prior art to construct a hermetic terminal subassembly with a feedthrough capacitor attached near the inside of the AIMD housing on the device side. The feedthrough capacitor does not have to be made from biocompatible materials because it is located on the device side inside the AIMD housing. The hermetic terminal subassembly allows leadwires to hermetically pass through the insulator in non-conductive relation with the ferrule or the AIMD housing. The leadwires also pass through the feedthrough capacitor to the inside of the AIMD housing. These leadwires are typically continuous and must be biocompatible and non-toxic. Generally, these leadwires are constructed of platinum or platinum-iridium, palladium or palladium-iridium, niobium or the like. Platinum-iridium is an ideal choice because it is biocompatible, non-toxic and is also mechanically very strong. The iridium is added to enhance material stiffness and to enable the hermetic terminal subassembly leadwire to sustain bending stresses. An issue with the use of platinum for leadwires is that platinum has become extremely expensive and may be subject to premature fracture under rigorous processing such as ultrasonic cleaning or application use/misuse, possibly unintentional damaging forces resulting from Twiddler's Syndrome.

Accordingly, what is needed is a filtered structure like a hermetic terminal or feedthrough, any subassembly made using same and any feedthrough filter EMI capacitor assembly which minimizes intolerable stress levels, allows use of preferred materials for AIMDS and eliminates high-priced, platinum, platinum-iridium or equivalent noble metal hermetic terminal subassembly leadwires. Also, what is needed is an efficient, simple and robust way to connect the leadwires in a header block to the novel hermetic terminal subassembly. Correspondingly, it is also needed to make a similar efficient, simple and robust electrical connection between the electronics on the device side of the AIMD to

the feedthrough capacitor and hermetic terminal subassembly. The present invention fulfills these needs and provides other related advantages.

SUMMARY OF THE INVENTION

In an exemplary embodiment of the present invention, a co-fired hermetically sealed feedthrough may be attachable to an active implantable medical device. The feedthrough includes an alumina dielectric substrate comprising at least 96% alumina. A via hole is disposed through the alumina dielectric substrate from a body fluid side to a device side. A substantially closed pore, fritless and substantially pure platinum fill is disposed within the via hole forming a platinum filled via electrically conductive between the body fluid side and the device side. A hermetic seal exists between the platinum fill and the alumina dielectric substrate, wherein the hermetic seal minimizes damaging tensile stresses and, optimally, may comprise a mutually conformal interface (or tortuous, intimate knitline) between the alumina dielectric substrate and the platinum fill.

In another exemplary embodiment, the alumina dielectric substrate may include at least 99% alumina. The platinum fill and the alumina dielectric substrate may form a knitline comprising a glass that is at least about 60% silica.

In another exemplary embodiment, the hermetic seal may comprise a leak rate no greater than 1×10^{-7} standard cubic centimeters helium per second (std cc He/sec). Alternatively, the hermetic seal may comprise a leak rate no greater than 1×10^{-8} std cc He/sec. Alternatively, the hermetic seal may comprise a leak rate no greater than 1×10^{-9} std cc He/sec. Alternatively, the hermetic seal may comprise a leak rate no greater than 1×10^{-10} std cc He/sec. Alternatively, the hermetic seal may comprise a leak rate no greater than 1×10^{-11} std cc He/sec. Alternatively, the hermetic seal may comprise a leak rate no greater than 1×10^{-12} std cc He/sec.

In another exemplary embodiment a shrink rate during an elevated temperature sintering of the alumina dielectric substrate in a green state may be greater than the shrink rate of the platinum fill in the green state.

In another exemplary embodiment the platinum filled via may comprise a larger cross sectional area at either a first via end exposed to the body fluid side or a second via end exposed to the device side as compared to a smaller cross sectional area of the platinum filled via between the first and second via ends.

In another exemplary embodiment an electrically conductive cap or protrusion may be co-fired to the platinum fill on the body fluid side. The cap or protrusion may comprise a biocompatible material. The cap or protrusion may comprise platinum or titanium.

In another exemplary embodiment an adhesion metallization may be disposed on an outside circumferential surface of the alumina dielectric substrate. A wetting metallization may be disposed on the adhesion metallization. A ferrule may be disposed around the alumina dielectric substrate. A braze may hermetically seal the alumina dielectric substrate to the ferrule. The braze may comprise gold. The hermetic seal braze between the alumina dielectric substrate and the ferrule may comprise a leak rate no greater than 1×10^{-7} , 1×10^{-8} , 1×10^{-9} , 1×10^{-10} , 1×10^{-11} , or 1×10^{-12} std cc He/sec. The ferrule may comprise titanium. The adhesion metallization may comprise titanium. The wetting metallization comprises niobium or molybdenum.

In another exemplary embodiment the alumina dielectric substrate may comprise a castellation recess disposed on the device side. A monolithic chip capacitor may be disposed

within the castellation recess, the monolithic chip capacitor comprising an active electrode plate set disposed parallel to a ground electrode plate set. The active electrode plate set may be electrically coupled to the platinum fill by a first circuit trace disposed within the alumina dielectric substrate, and wherein the ground electrode plate set may be electrically coupled to the adhesion metallization by a second circuit trace disposed within the alumina dielectric substrate.

In another exemplary embodiment a feedthrough capacitor may be attached to the alumina dielectric substrate. An insulative washer may be disposed between the alumina dielectric substrate and the feedthrough capacitor. The feedthrough capacitor may comprise a second dielectric substrate, a conductive capacitor via hole disposed through the second dielectric substrate, a set of active electrode plates disposed within the second dielectric substrate and electrically coupled to the conductive capacitor via hole, an outside feedthrough capacitor metallization disposed on an outside of the feedthrough capacitor, and a set of ground plates disposed within the second dielectric substrate and electrically coupled to the outside feedthrough capacitor metallization. The outside feedthrough capacitor metallization may be electrically coupled to a ferrule.

In another exemplary embodiment a ball grid solder joint or braze may be between the conductive capacitor via hole and the platinum fill. The conductive capacitor via hole may be unfilled. A device side wire may be disposed within the conductive capacitor via hole and electrically coupled to the platinum fill and set of active electrode plates by the ball grid solder joint or braze.

In another exemplary embodiment a grounded via hole may be disposed through the alumina dielectric substrate from the body fluid side to the device side including a substantially closed pore, fritless and substantially pure grounded platinum fill disposed within the grounded via hole forming a platinum filled grounded via electrically conductive between the body fluid side and the device side. A set of feedthrough ground plates may be disposed within the alumina dielectric substrate electrically coupled to the grounded platinum fill and the ferrule and in non-conductive relation to the platinum filled via.

In another exemplary embodiment a feedthrough capacitor may be attached to the alumina dielectric substrate. The feedthrough capacitor may comprise a second dielectric substrate, a conductive capacitor via hole disposed through the second dielectric substrate, a set of active electrode plates disposed within the second dielectric substrate and electrically coupled to the conductive capacitor via hole, a conductive grounded via hole disposed through the second dielectric substrate, and a set of ground plates disposed within the second dielectric substrate and electrically coupled to the conductive grounded via hole.

In another exemplary embodiment the conductive capacitor via hole and conductive grounded via hole may be unfilled. The leadwire may be connectable at a first end to an AIMD electronic circuit and at its second end disposed within and electrically coupled to the conductive capacitor via hole. A ground leadwire may be connectable at a first end to an AIMD electronic circuit and at its second end disposed within and electrically coupled to the conductive grounded via hole.

In another exemplary embodiment a hermetically sealed braze may be between the wetting metallization and an active implantable medical device housing.

In another exemplary embodiment the via hole may comprise a plurality of via holes, the platinum fill may comprise a plurality of platinum fills, the grounded via hole

may comprise a plurality of grounded via holes, and the grounded platinum fill may comprise a plurality of grounded platinum fills. The plurality of via holes and plurality of platinum fills may comprise at least two cross sectional areas. The plurality of grounded via holes and plurality of grounded platinum fills may comprise at least two cross sectional areas.

In another exemplary embodiment a conductive leadwire may be disposed within the platinum fill on the body fluid side. The conductive leadwire may comprise platinum, platinum-iridium, palladium, palladium-iridium, niobium or other like noble, biocompatible and biostable material. The conductive leadwire and platinum fill may be co-fired.

In another exemplary embodiment a crimp post may be disposed within the platinum fill on the body fluid side. A double-sided crimp post may be disposed through the platinum fill comprising a first crimp post end on the body fluid side and a second crimp post end on the device side.

In an exemplary embodiment of the present invention, a co-fired hermetically sealed feedthrough is attachable to an active implantable medical device. An alumina dielectric substrate may comprise at least 96 percent alumina. A staggerless (absent conductive catch pads for ensuring uninterrupted electrical conductivity) via hole may be disposed through the alumina dielectric substrate from a body fluid side to a device side. A substantially closed pore, fritless and substantially pure platinum fill may be disposed within the via hole forming a platinum filled via electrically conductive between the body fluid side and the device side. A hermetic seal may be between the platinum fill and the alumina dielectric substrate, wherein the hermetic seal is fundamentally matched or compressive (devoid of excessive tensile stresses) and may comprise a mutually conformal interface (or tortuous, intimate knitline) between the alumina dielectric substrate and the platinum fill and wherein the hermetic seal comprises a leak rate no greater than 1×10^{-7} std cc He/sec.

In an exemplary embodiment of the present invention, a co-fired hermetically sealed feedthrough is attachable to an active implantable medical device. An alumina dielectric substrate comprises at least 96% alumina. A staggerless via hole is disposed through the alumina dielectric substrate from a body fluid side to a device side. A substantially closed pore, fritless and substantially pure platinum fill is disposed within the via hole forming a platinum filled via electrically conductive between the body fluid side and the device side. A first hermetic seal is between the platinum fill and the alumina dielectric substrate wherein the hermetic seal comprises a leak rate no greater than 1×10^{-7} std cc He/sec. A staggerless grounded via hole is disposed through the alumina dielectric substrate from the body fluid side to the device side. A substantially closed pore, fritless and substantially pure grounded platinum fill is disposed within the grounded via hole forming a grounded platinum filled via electrically conductive between the body fluid side and the device side. A second hermetic seal is between the grounded platinum fill and the alumina dielectric substrate wherein the second hermetic seal comprises a leak rate no greater than 1×10^{-7} std cc He/sec. A plurality of grounded electrode plates are electrically coupled to the grounded platinum filled via and in non-conductive relation to the platinum filled via. An outer metallization is disposed on alumina dielectric substrate and electrically connected to the plurality of grounded electrode plates.

In an exemplary embodiment of the present invention, a method of manufacturing a hermetically sealed feedthrough includes forming a dielectric substrate comprising at least

96% alumina, forming at least one staggerless via hole through the dielectric substrate, filling the at least one via hole with a conductive fill, the conductive fill including a platinum powder and an inactive organic binder, solvent, and/or plasticizer, placing the dielectric substrate and conductive fill into an air filled heating chamber and heating the assembly to a monolithic structure. The platinum fill and the dielectric substrate may form a knitline comprising a glass that is at least about 60% silica.

In another exemplary embodiment, the forming of the alumina dielectric substrate may comprise laminating a plurality of alumina dielectric sheets. The forming of the alumina dielectric substrate may comprise pressing an alumina powder. A shrink rate during the heating of the alumina dielectric substrate in a green state may be greater than a shrink rate of the platinum fill in the green state.

In an exemplary embodiment of the present invention, a co-fired hermetically sealed feedthrough is attachable to an active implantable medical device. An alumina dielectric substrate comprises at least 96% alumina substantially free of sintering additives and glasses. A conductive metallization is disposed through the alumina dielectric substrate from a body fluid side to a device side, wherein the metallization comprises a substantially closed pore, fritless and substantially pure platinum fill. A hermetic seal is between the conductive metallization and the alumina dielectric substrate, wherein the hermetic seal is fundamentally matched or compressive and may comprise a mutually conformal interface (or tortuous, intimate knitline) between the alumina dielectric substrate and the metallization, the hermetic seal comprising a leak rate no greater than 1×10^{-7} std cc He/sec. The knitline between the alumina dielectric substrate and the metallization may comprise a glass that is at least about 60% silica.

In an embodiment, a feedthrough capacitor may be attached to the dielectric substrate, the feedthrough capacitor comprising a capacitor dielectric substrate, an unfilled via hole including an inner metallization, a set of active electrode plates electrically coupled to the inner metallization, an outer metallization disposed on an outside of the feedthrough capacitor, and a set of ground electrode plates electrically coupled to the outer metallization. A conductive leadwire is disposed within the unfilled via hole. A solder joint is electrically connecting the conductive fill, the capacitor inner metallization, the set of active electrode plates and the leadwire.

In another exemplary embodiment a hermetic seal may be between the via hole and the conductive fill. The hermetic seal may comprise a leak rate no greater than 1×10^{-7} std cc He/sec. The dielectric substrate may comprise at least 96% alumina. The conductive fill may comprise a substantially closed pore and fritless platinum fill. The hermetic seal is fundamentally matched or compressive and may comprise a mutually conformal interface (or tortuous, intimate knitline) between the alumina dielectric substrate and the platinum fill. The platinum fill and the alumina dielectric substrate may form a knitline comprising a glass that is at least about 60% silica.

In another exemplary embodiment the outer metallization may comprise an adhesion metallization disposed on an outside circumferential surface of the dielectric substrate. The outer metallization may comprise a wetting metallization disposed on the adhesion metallization. A ferrule may be disposed around the dielectric substrate. A gold braze may hermetically seal the dielectric substrate to the ferrule. The gold braze hermetic seal between the dielectric substrate and the ferrule may comprise a leak rate no greater than

1×10^{-7} std cc He/sec. An insulative washer may be disposed between the dielectric substrate and the feedthrough capacitor. The capacitor outer metallization may be electrically coupled to the ferrule. The via hole may comprise a staggered via hole.

In an exemplary embodiment of the present invention, a co-soldered hermetic feedthrough, feedthrough capacitor, and leadwire assembly comprises a dielectric substrate. At least one via hole is disposed through the dielectric substrate from a body fluid side to a device side. A conductive fill is disposed within the at least one via hole forming a hermetic seal and electrically conductive between the body fluid side and the device side. At least one grounded via hole is disposed through the dielectric substrate from the body fluid side to the device side. A conductive grounded fill is disposed within the at least one grounded via hole and electrically conductive between the body fluid side and the device side. A set of feedthrough ground plates are electrically coupled to the conductive grounded fill and in non-conductive relation to the conductive fill. An internally grounded feedthrough capacitor is attached to the dielectric substrate, the feedthrough capacitor comprising a capacitor dielectric substrate, an unfilled via hole including a first inner metallization, a set of active electrode plates electrically coupled to the first inner metallization, an unfilled grounded via hole including a second inner metallization, a set of ground electrode plates electrically coupled to the second inner metallization. At least one conductive leadwire is disposed within the unfilled via hole of the feedthrough capacitor. At least one conductive grounded leadwire is disposed within the unfilled grounded via hole of the feedthrough capacitor. A co-solder joint is electrically connecting the conductive fill, the set of capacitor active electrode plates and the at least one conductive leadwire. A second co-solder joint is electrically connecting the conductive grounded fill, the set of capacitor ground electrode plates and the at least one conductive ground wire.

In another exemplary embodiment the first and second co-solder joints may be simultaneously formed. A first hermetic seal may be between the at least one via hole and the conductive fill. A second hermetic seal may be between the at least one grounded via hole and the conductive ground fill. The first and second hermetic seals comprise a leak rate no greater than 1×10^{-7} , 1×10^{-8} , 1×10^{-9} , 1×10^{-10} , 1×10^{-11} or 1×10^{-12} std cc He/sec.

In another exemplary embodiment an adhesion metallization may be disposed on an outside circumferential surface of the dielectric substrate. A wetting metallization may be disposed on the adhesion metallization. A ferrule may be disposed around the dielectric substrate. A ferrule braze may be hermetically sealing the dielectric substrate to the ferrule. The hermetic seal of the ferrule braze may comprise a leak rate no greater than 1×10^{-7} std cc He/sec. The dielectric substrate may comprise at least 90% alumina up to at least 99.999% alumina. In a preferred embodiment, the dielectric substrate may comprise at least 92% alumina. In another preferred embodiment, the dielectric substrate may comprise at least 94% alumina. In yet another preferred embodiment, the dielectric substrate may comprise at least 96% alumina.

In another exemplary embodiment the alumina dielectric substrate may be substantially free of sintering additives and glasses. The conductive fill and conductive grounded fill may comprise a substantially closed pore and fritless platinum fill. The first and second hermetic seal each are fundamentally matched or compressive and may comprise a mutually conformal interface (or tortuous, intimate knitline) between the alumina dielectric substrate and the platinum

fills. The knitline may comprise a glass that is at least about 60% silica. A third hermetic seal may be formed between the wetting metallization and an active implantable medical device housing.

5 In an exemplary embodiment of the present invention, an elevated feedthrough attachable to a top or a side of an active implantable medical device comprises a conductive ferrule. A dielectric substrate is defined as comprising a body fluid side and a device side disposed within the conductive ferrule and comprising a body fluid side elevated portion generally raised above the conductive ferrule. At least one via hole is disposed through the dielectric substrate from the body fluid side to the device side. A conductive fill is disposed within the at least one via hole and electrically conductive between the body fluid side and the device side. A leadwire connection feature is on the body fluid side electrically coupled to the conductive fill and disposed adjacent to the elevated portion of the dielectric substrate.

10 In another exemplary embodiment the leadwire connection feature may comprise a wire bond pad. The wire bond pad may be substantially L-shaped. A conductive leadwire may be electrically coupled to the leadwire connection feature. The conductive leadwire may comprise a round wire, an oval wire, a ribbon wire, a braided wire, a stranded wire or a coiled wire. The L-shape may comprise a curve. The wire bond pad may comprise a stamped and bent wire bond pad. A portion of the wire bond pad may be co-fired within the conductive fill. A braze preform may be electrically coupling the leadwire connection feature to the conductive fill. A laser weld may be electrically coupling the leadwire connection feature to the conductive fill. The elevated portion of the dielectric substrate may comprise at least one castellation recess and the wire bond pad is at least partially disposed within the at least one castellation recess. The leadwire connection feature may comprise leadwire insertion hole and a laser weld access hole. The leadwire connection feature may comprise a leadwire insertion hole and a side accessed set screw. The at least one via hole may be partially unfilled and the leadwire connection feature may comprise an insertable contact spring configured to be located within the at least one partially unfilled via hole and electrically coupled to the conductive fill. A circuit trace may be disposed within the dielectric substrate electrically coupling the conductive fill and the leadwire connection feature. The at least one via hole may comprise at least one staggered via hole. A header block may be associated with the elevated feedthrough, wherein the header block comprises an access aperture corresponding to a location adjacent to the leadwire connection feature.

50 In an exemplary embodiment of the present invention, an elevated feedthrough attachable to a top or a side of an active implantable medical device comprises a conductive ferrule, a dielectric substrate defined as comprising a body fluid side and a device side disposed within the conductive ferrule and comprising a body fluid side elevated portion generally raised above the conductive ferrule, at least one via hole disposed through the dielectric substrate from the body fluid side to the device side, a conductive fill disposed within the at least one via hole and electrically conductive between the body fluid side and the device side, at least one leadwire connection feature on the body fluid side electrically coupled to the conductive fill and disposed adjacent to the elevated portion of the dielectric substrate, and a header block associated with the elevated feedthrough, wherein the header block comprises an access aperture corresponding to a location adjacent to the leadwire connection feature.

13

In an exemplary embodiment of the present invention, an elevated wire bond pad feedthrough attachable to an active implantable medical device comprises a conductive ferrule, a dielectric substrate defined as comprising a body fluid side and a device side disposed within the conductive ferrule, at least one via hole disposed through the dielectric substrate from the body fluid side to the device side, a conductive fill disposed within the at least one via hole and electrically conductive between the body fluid side and the device side, a leadwire connection feature on the body fluid side electrically coupled and co-fired within the conductive fill and protruding above the dielectric substrate comprising a side-accessible wire bond pad.

In another exemplary embodiment a support recess may be adjacent to and behind the side-accessible wire bond pad configured to abut a support on an associated header block. A header block associated with the feedthrough may comprise an access aperture corresponding to a location adjacent to the side-accessible wire bond pad. A slot may be disposed within the side-accessible wire bond pad.

In an exemplary embodiment of the present invention an elevated feedthrough attachable to an active implantable medical device comprises a conductive ferrule, a dielectric substrate defined as comprising a body fluid side and a device side disposed within the conductive ferrule and comprising an elevated portion generally raised above the conductive ferrule, at least one first metallization disposed through the dielectric substrate from the device side and stopping before exiting the body fluid side, at least one leadwire connection feature on the body fluid side electrically coupled to the at least one first metallization and disposed adjacent to the elevated portion of the dielectric substrate, and at least one circuit trace disposed within the dielectric substrate electrically connecting the at least one leadwire connection feature and the at least one first metallization.

In another exemplary embodiment, the dielectric substrate may comprise a second elevated portion generally raised above the elevated portion. At least one second metallization may be disposed through the dielectric substrate from the device side and stopping before exiting the body fluid side. At least one second leadwire connection feature on the body fluid side may be electrically coupled to the at least one second metallization and disposed adjacent to the second elevated portion of the dielectric substrate. At least one second circuit trace may be disposed within the dielectric substrate electrically connecting the at least one second leadwire connection feature and the at least one second metallization. The dielectric substrate may comprise a plurality of raised elevated portions generally raised above the first and second elevated portions.

In an exemplary embodiment of the present invention a header attachable to an active implantable medical device comprises a biocompatible header block, a leadwire disposed within the header, a leadwire port connectable to an implantable lead and electrically coupled to the leadwire, and a feedthrough connection feature coupled to the leadwire comprising a moveably biased electrical connector configured to abut a metallization of a hermetic feedthrough for the active implantable medical device.

In another exemplary embodiment, the biased electrical connector may comprise a compression spring biasing a moveable plunger, a cantilevered beam or a flexure.

Other features and advantages of the present invention will become apparent from the following more detailed

14

description, when taken in conjunction with the accompanying drawings, which illustrate, by way of example, the principles of the invention.

BRIEF DESCRIPTION OF THE DRAWINGS

The accompanying drawings illustrate the invention. In such drawings:

FIG. 1 is a wire-formed diagram of a generic human body showing a number of exemplary implantable medical devices;

FIG. 2 is a side view of a prior art cardiac pacemaker;

FIG. 3 is a perspective view of a prior art cardiac pacemaker;

FIG. 3A is a perspective view of the prior art cardiac pacemaker of FIG. 3 now showing placements of the leads into the heart;

FIG. 4 is a perspective view of a prior art feedthrough capacitor;

FIG. 5 is a sectional view of the prior art feedthrough capacitor of FIG. 4 mounted to a hermetic terminal subassembly;

FIG. 6 is an electrical schematic diagram of the capacitor of FIG. 5;

FIG. 7 is a perspective view of the quad polar feedthrough capacitor and hermetic terminal assembly of FIG. 3;

FIG. 8 is a sectional view of the feedthrough and hermetic terminal assembly of FIG. 7;

FIG. 9 is a sectional view of a prior art hermetic insulator with a solid metallic filled via in a green state;

FIG. 10 is a sectional view of the structure of FIG. 9 now after sintering;

FIG. 10A is an enlarged view taken from FIG. 10 along lines 10A-10A now showing gaps between the solid metallic leadwire and the insulator;

FIG. 11 is a sectional view of a prior art hermetic insulator with a metallic paste filled via;

FIG. 11A is an enlarged view of the structure of FIG. 11 now showing irregular glass filled structures;

FIG. 12 is a flow chart illustrating the main steps of one embodiment of the process of the present invention;

FIG. 13 is a sectional view of a hermetic terminal assembly of the present invention comprising a high purity alumina ceramic and a pure platinum filled via hole in a green state;

FIG. 14 is another sectional view of a hermetic terminal assembly of the present invention now showing stacking build up from individual tape layers in a green state;

FIG. 15 is a sectional view of the hermetic terminal assembly of FIGS. 13-14 after a co-firing process;

FIG. 16 is an enlarged view of the structure of FIG. 15 now showing a mutually conformal interface (or tortuous, intimate knitline);

FIG. 17 is a sectional view of an embodiment of a novel hermetic terminal subassembly of the present invention installed in an housing of an AIMD;

FIG. 17A is a sectional view similar to FIG. 17 showing individual tape layers comprising the insulator;

FIG. 17B is a sectional view similar to FIGS. 17 and 17A now showing the platinum filled via with a smaller diameter center section as compared to the ends of the platinum filled via;

FIG. 18 is a sectional view similar to FIGS. 17, 17A and 17B now showing a wire bond cap co-fired into the platinum filled via;

15

FIG. 19A is a top view of an exemplary embodiment of a hermetic terminal subassembly now showing a plurality of filled vias;

FIG. 19B is a sectional view taken from lines 19B-19B of FIG. 19A now showing a neuro-electrode co-fired into the platinum filled via;

FIG. 19C is a top view of a prior art quad polar hermetic feedthrough;

FIG. 19D is a top view of the novel hermetic terminal subassembly showing the increased number of leadwires possible as compared to FIG. 19C;

FIG. 20 is a sectional view of an exemplary embodiment of a hermetic terminal subassembly of the present invention now showing castellations with MLCCs;

FIG. 21 is a sectional view taken from FIG. 20 along lines 21-21 now showing internal circuit traces;

FIG. 22 is a sectional view of an exemplary embodiment of a hermetic terminal subassembly now showing a capacitor with a filled and a bore-coated via;

FIG. 22A is a sectional view similar to the structure of FIG. 22 now showing an exemplary embodiment without a ferrule where the insulator is attached to the AIMD housing;

FIG. 23 is a sectional view of an exemplary embodiment of a hermetic terminal subassembly now showing a capacitor with an internal ground and an insulator with ground plates;

FIG. 23A is a sectional view similar to the structure of FIG. 23 now showing an exemplary embodiment without a ferrule where the insulator is attached to the AIMD housing;

FIG. 24 is a sectional view of the ground plate of FIG. 23 taken along lines 24-24;

FIG. 25 is a sectional view of the ground plate of FIG. 23 taken along lines 25-25 now showing a ten leadwire configuration;

FIG. 26 is a sectional view similar to FIGS. 24-25 now showing extra ground vias to improve EMI filter attenuation;

FIG. 27 is a perspective view of a prior art header block connector assembly;

FIG. 28 is a side view of an exemplary embodiment of a novel side window in a header block of an AIMD;

FIG. 29 is a perspective and enlarged view of a hermetic terminal assembly with various novel side attachment configurations accessible through the novel header block side window;

FIG. 29A is a perspective view of a paddle lead;

FIG. 29B is a perspective view of a ribbon lead;

FIG. 30 is a sectional view taken from the structure of FIG. 29 along lines 30-30;

FIG. 31 is an enlarged view taken from FIG. 30 along lines 31-31;

FIG. 32 is a sectional view of another exemplary embodiment similar to FIG. 30 now showing a gold braze perform connecting the side mounted wire bond pad and the platinum fill;

FIG. 33 is a sectional view similar to FIG. 32 now showing a curved radius insulator;

FIG. 34 is a sectional view similar to FIG. 33 now showing a three-way connection between the internal AIMD leadwires, the capacitor active plates through the bore-coated metallization and the platinum fill of the insulator;

FIG. 35 is a sectional view similar to FIG. 30 now showing another exemplary embodiment of the present invention;

FIG. 36 is a sectional view taken from FIG. 35 along lines 36-36 now showing the active plates;

FIG. 37 is a sectional view taken from FIG. 35 along lines 37-37 now showing the ground plates;

16

FIG. 38 is a perspective view of an exemplary embodiment of a round quad polar hermetic terminal assembly;

FIG. 39 is a perspective view of an exemplary wire bond pad;

FIG. 40 is a perspective view of another exemplary wire bond pad;

FIG. 41 is a perspective view of another exemplary wire bond pad;

FIG. 42 is a perspective view of another exemplary wire bond pad;

FIG. 43 is a perspective view of an exemplary embodiment of a hermetic terminal subassembly now showing castellations formed in the insulator configured to receive wire bond pads;

FIG. 44 is a perspective view of another exemplary embodiment of a hermetic terminal subassembly similar to FIG. 43 now showing deeper castellations;

FIG. 45 is a perspective view of another exemplary embodiment of a hermetic terminal subassembly now showing leadwire holes and set screws;

FIG. 46 is a perspective view of another exemplary embodiment of a hermetic terminal subassembly now showing an insertable contact spring;

FIG. 47 is a sectional view of the structure of FIG. 46 taken along lines 47-47;

FIG. 48 is an enlarged view of the structure of FIG. 47 taken along lines 48-48;

FIG. 49 is a perspective view of another exemplary embodiment of a hermetic terminal subassembly now showing laser weld access holes;

FIG. 50 is a perspective view of an embodiment of a wire bond pad;

FIG. 50A is a perspective view of an embodiment of wire bond pad similar to FIG. 50;

FIG. 51 is a sectional view of the structure of FIG. 50A taken along lines 51-51;

FIG. 52 is an enlarged sectional view of the wire bond pad of FIGS. 50A and 51 co-fired into the platinum filled via;

FIG. 53 is a perspective view of another embodiment of a wire bond pad with attachment fingers;

FIG. 53A is a perspective view of the embodiment of wire bond pad similar to FIG. 53;

FIG. 54 is an enlarged sectional view of another embodiment of a wire bond pad with a pin co-fired into the platinum filled via;

FIG. 55 is an enlarged sectional view of another embodiment of a wire bond pad similar to FIG. 55 now showing a hole to capture the leadwire;

FIG. 56 is an enlarged sectional view of another embodiment of a wire bond pad similar to FIGS. 55 and 56 now showing a gold braze;

FIG. 57 is a perspective view of another embodiment of a hermetic terminal subassembly with internal circuit traces;

FIG. 58 is an enlarged sectional view taken from FIG. 57 along lines 58-58 showing the internal circuit traces;

FIG. 59 is a sectional view taken from FIG. 57 along lines 59-59;

FIG. 60 is a sectional view of another exemplary embodiment of a hermetic terminal subassembly now showing a solid wire co-fired into the platinum filled via;

FIG. 61 is a sectional view of an embodiment of a filled via with internal circuit traces;

FIG. 62 is a sectional view similar to FIG. 59 now showing a staggered via hole;

FIG. 63 is a sectional view similar to FIG. 62 now showing a staggered via hole with a solid wire co-fired into the platinum filled via;

FIG. 64 is a sectional view of an exemplary embodiment of a crimp post co-fired into the platinum filled via;

FIG. 65 is a sectional view of an exemplary embodiment of a double crimp post co-fired into the platinum filled via;

FIG. 66 is a perspective view of an exemplary embodiment of a novel method of header block connector assembly attachment showing a support structure behind the wire bond pads;

FIG. 67 is a perspective view of a wire bond pad of FIG. 66 with a novel slot;

FIG. 68 is a perspective view of an exemplary embodiment of a hermetic terminal subassembly now showing a high density stacking configuration;

FIG. 69 is a sectional view taken from the structure of FIG. 69 along lines 69-69;

FIG. 70 is a perspective view of another exemplary embodiment of a hermetic terminal subassembly now showing an alternative high density stacking configuration;

FIG. 71 is a perspective view of another exemplary embodiment of a hermetic terminal subassembly now showing an alternative high density stacking configuration;

FIG. 72 is a perspective view of an AIMD and header block with a window allowing access to connect the side attachment wire bond pads to the leadwires;

FIG. 73 is a sectional view with a novel crimp post co-fired into the platinum filled via;

FIG. 74 is a perspective view of another exemplary embodiment of a novel crimp post similar to FIG. 73;

FIG. 75 is a perspective view of another exemplary embodiment of a novel crimp post similar to FIG. 73;

FIG. 76 is a perspective view of another exemplary embodiment of a novel crimp post similar to FIG. 73;

FIG. 77 is a perspective view of another exemplary embodiment of a novel crimp post similar to FIG. 73;

FIG. 78 is a perspective view of another exemplary embodiment of a novel crimp post similar to FIG. 73;

FIG. 79 is a sectional view of an exemplary embodiment of a novel spring electrically connecting the platinum filled via to the leadwires in the header block;

FIG. 80 is a sectional view of another exemplary embodiment of leadwire attachment to the platinum filled vias;

FIG. 81 is a sectional view rotated 90° taken from FIG. 80 along lines 81-81;

FIG. 82 is a side perspective view of another exemplary embodiment of a novel spring electrically connecting the platinum filled via to the leadwires in the header block; and

FIG. 83 is a side perspective view of another exemplary embodiment of a novel connector electrically connecting the platinum filled via to the leadwires in the header block.

DETAILED DESCRIPTION OF THE PREFERRED EMBODIMENTS

FIG. 1 illustrates various types of active implantable and external medical devices 100 that are currently in use. FIG. 1 is a wire formed diagram of a generic human body showing a number of implanted medical devices. 100A is a family of external and implantable hearing devices which can include the group of hearing aids, cochlear implants, piezoelectric sound bridge transducers and the like. 100B includes an entire variety of neurostimulators and brain stimulators. Neurostimulators are used to stimulate the Vagus nerve, for example, to treat epilepsy, obesity and depression. Brain stimulators are similar to a pacemaker-like device and include electrodes implanted deep into the brain for sensing the onset of a seizure and also providing electrical stimulation to brain tissue to prevent the seizure from

actually happening. The lead wires that come from a deep brain stimulator are often placed using real time imaging. Most commonly such lead wires are placed during real time MRI. 100C shows a cardiac pacemaker which is well-known in the art. 100D includes the family of left ventricular assist devices (LVAD's), and artificial hearts, including the recently introduced artificial heart known as the Abioco. 100E includes an entire family of drug pumps which can be used for dispensing of insulin, chemotherapy drugs, pain medications and the like. Insulin pumps are evolving from passive devices to ones that have sensors and closed loop systems. That is, real time monitoring of blood sugar levels will occur. These devices tend to be more sensitive to EMI than passive pumps that have no sense circuitry or externally implanted lead wires. 100F includes a variety of external or implantable bone growth stimulators for rapid healing of fractures. 100G includes urinary incontinence devices. 100H includes the family of pain relief spinal cord stimulators and anti-tremor stimulators. 100H also includes an entire family of other types of neurostimulators used to block pain. 100I includes a family of implantable cardioverter defibrillators (ICD) devices and also includes the family of congestive heart failure devices (CHF). This is also known in the art as cardio resynchronization therapy devices, otherwise known as CRT devices. 100J illustrates an externally worn pack. This pack could be an external insulin pump, an external drug pump, an external neurostimulator, a Holter monitor with skin electrodes or even a ventricular assist device power pack. 100K illustrates the insertion of an external probe or catheter. These probes can be inserted into the femoral artery, for example, or in any other number of locations in the human body.

FIG. 2 illustrates a prior art cardiac pacemaker 100C showing a side view. The pacemaker electronics are housed in a hermetically sealed and conductive electromagnetic shield 102 (typically titanium). There is a header block assembly 104 generally made of thermal-setting non-conductive plastic, such as Techothane. This header block assembly 104 houses one or more connector assemblies generally in accordance with ISO Standards IS-1, IS-2, or more modern standards, such as IS4 or DF4. These header block connector port assemblies are shown as 106 and 106'. Implantable leadwires (not shown) have proximal plugs and are designed to insert into and mate with these header block connector cavities 106 and 106', or, in devices that do not have header block assemblies, in cavities built directly into the pulse generator itself.

As used herein, the term "lead" refers to an implantable lead containing a lead body and one or more internal lead conductors. A "lead conductor" refers to the conductor that is inside of an implanted lead body. As used herein, the term "leadwire" refers to wiring that is either inside of the active implantable medical device (AIMD) housing or inside of the AIMD header block assembly or both. As used herein, the term header block is the biocompatible material that attaches between the AIMD housing and the lead. The term header block connector assembly refers to the header block including the connector ports for the leads and the wiring connecting the lead connector ports to the hermetic terminal subassemblies which allow electrical connections to hermetically pass inside the device housing. It is also understood by those skilled in the art that the present invention can be applicable to active implantable medical devices that do not have a header block or header block connector assemblies such as pulse generators.

FIG. 3 is a prior art cardiac pacemaker 100C similar to that previously illustrated in FIG. 2 except that additional

interior and exterior details are illustrated. Referring to FIG. 3, one can see implantable leads **110** and **110'** which may have one or more internal lead conductors (not shown). In the present case, these are bipolar leads, meaning that each lead **110** and **110'** has two internal lead conductors. One of these lead conductors is connected to a tip electrode **112** or **112'**. The second lead conductor is mounted to a ring electrode **113** or **113'** as illustrated. For a typical dual chamber bipolar cardiac pacemaker, one bipolar electrode will be placed into the right ventricle and the other bipolar electrode will be placed into the right atrium of the human heart **114**. For example, tip electrode **112'** could be placed in the right ventricular apex and **113'** would be a bipolar electrode placed adjacent to the tip electrode **112'**. In a similar manner, tip electrode **112** could be placed in the right atrial apex and ring electrode **113** would be placed adjacent to the distal electrode **112** to provide bipolar sensing in the right atrium of the heart **114**. The proximal ends of the leads terminate in proximal connector plugs **108** and **108'**. These proximal connector plugs are designed to be inserted into connector cavities **106** and **106'** of the cardiac pacemaker **100C** header block assembly **104** or, for devices without header block assemblies (not shown), into connector cavities within the pulse generator itself. The proximal connectors are firmly held in place in the connector cavities with set screws and the like (also not shown). In this embodiment, the connector cavities **106** and **106'** are in the header block assembly **104** and have a total of four leadwires (**118a** through **118d**) associated with them. These leadwires are routed through a hermetic terminal subassembly **116**. Each of the four leadwires is routed from the body fluid side (the header block connector assembly **104**) to the inside of the cardiac pacemaker (inside the hermetically sealed container **102**) by passing through the hermetic terminal subassembly **116**. Each of the leadwires **118** pass through a ferrule **122** of the hermetic terminal subassembly **116** in non-conductive relationship. The non-conductive relationship is imparted by a single insulator **120** between each of the four leadwires **118** placed in the vias of the insulator **120**. It is understood by those skilled in the art that the four hermetically sealed leadwires **118** could be replaced by a single hermetically sealed leadwire comprising four individual conductors or by four separate leadwires **118** each with their own insulator and ferrule assembly. Furthermore, those skilled in the art will appreciate that a hermetic terminal subassembly may be constructed with any number of hermetically sealed leadwires in one or more large insulators having one or more vias.

The ferrule **122** of the hermetic terminal subassembly **116** is generally mechanically and hermetically attached to the AIMD housing **102** by laser welding **128** processes or the like. Attached directly on or adjacent to the hermetic terminal subassembly **116** is a feedthrough capacitor **124** which is used to decouple unwanted electromagnetic interference (EMI) signals that may couple to the implanted leads **110** and **110'**. The feedthrough capacitor filter prevents such undesirable EMI signals from entering into the interior of the pacemaker housing **102**. It is particularly adverse for high frequency EMI signals to enter into the inside of the AIMD housing **102** because once high frequency noise is inside, it can cross-couple or re-radiate to sensitive pacemaker circuits thereby disrupting proper operation of the device. For example, it has been documented in numerous technical papers that EMI can be falsely interpreted by a cardiac pacemaker as a normal heartbeat. Modern pacemakers are demand-type devices to save battery energy. That is, in the presence of a normal heartbeat, they will turn off to

save battery energy. If EMI is improperly sensed as a cardiac signal, and the device turns off (inhibits) this becomes immediately life-threatening to a pacemaker dependent patient as, in this particular case, the patient's heart will not function without the pacemaker. In this particular case, the patient's heart stops beating altogether because the pacemaker has stopped providing the electrical pulses the heart needs to pump blood and sustain life. Once the leadwires **118a**, **118b**, **118c** and **118d** pass through the feedthrough capacitor, the high frequency electromagnetic noise has been largely eliminated and therefore the signals coming to the circuit board **126** will be relatively clean and be comprised primarily of low frequency biologic signals and/or pacing pulses.

FIG. 3A is the same dual chamber cardiac pacemaker system previously illustrated in FIG. 3. It shows the detail of the placement of a distal tip electrode **112** into the right ventricular apex and its associated ring electrode **113**. Also illustrated is the placement of a distal tip electrode **112** into the right atrial apex along with its associated ring electrode **113**.

FIG. 4 illustrates a prior art feedthrough capacitor **124** similar to the quad polar feedthrough capacitor **124** previously illustrated in FIG. 3. However, in FIG. 4, the feedthrough capacitor is unipolar for simplicity in describing its construction. In the prior art, these feedthrough capacitors are known as multilayer monolithic ceramic feedthrough capacitors. They are three-terminal devices as opposed to simple multilayer chip capacitors (MLCC), which are two-terminal devices. Two-terminal devices have considerable internal inductance and self-resonate before they reach high frequencies. For this reason, they do not make very effective broadband EMI filters. In contrast, the three-terminal devices, also known as feedthrough capacitors, are exceptional broadband devices that work from the low kilohertz frequency range through to and beyond 10 GHz. Referring once again to FIG. 4, one can see that there are alternating stacks of active electrodes **134** interspersed with ground electrodes **136**. These are all fired in a dielectric medium **154**. In general, feedthrough capacitor dielectrics are of barium titanate, strontium titanate or the like. This makes for a highly volumetrically efficient capacitor since these dielectric constants are, in general, 100 to 5000 times more efficient than an air capacitor. In order to make contact with all of the ground electrode plates **136**, an exterior metallization **132** is applied. This can be a plated metallization or it could be a silver or palladium silver glass frit which forms the metallization layer when fired at elevated temperature. This has the effect of placing all the ground electrode plates **136** in parallel and also provides a surface on which to make a convenient electrical connection to the ground electrode plates. There is a similar metallization **130** that is applied to the inside diameter hole of feedthrough capacitor **124**. This inside diameter metallization **130** makes contact with the active electrode plate set **134**.

FIG. 5 is a cross-sectional view of the unipolar capacitor of FIG. 4 shown mounted to a hermetic terminal subassembly **116** which is, in turn, installed into the metallic housing **102** of an AIMD **100**. In FIG. 5, the internal active electrode plate set **134** and ground electrode plate set **136** are visible. In this case, there is a leadwire **118** which passes all the way through a hermetic insulator **120** and also through the center hole of the feedthrough capacitor **124**. The hermetic leadwire insulator **120** is shown which is typical of alumina ceramic, glass or other similar insulative material. In this example, the leadwire **118** is gold brazed **138** to the alumina ceramic insulator **120**. The alumina ceramic insulator **120** is

of ceramic material and requires metallization for wetting of the gold braze and ultimately hermetically sealing to the ceramic. Accordingly, it is important that surface preparations such as metallization be completed prior to the gold brazing operation. Layer **152** is a sputtered adhesion layer typically titanium. Sputtered over this is a wetting layer **150** which would typically be of molybdenum, niobium or the like, to which a gold braze will readily wet and form a hermetic seal. Both the outside diameter and the inside diameter of the hermetic insulator **120** is thus metalized in preparation for gold brazing operation. A similar gold braze **140** is formed between the outside diameter of the hermetic seal insulator **120** and the ferrule **122**. Sputtered layers for fabricating hermetic terminal assemblies **116** could be metals other than the typical titanium, niobium and molybdenum examples provided herein.

The feedthrough capacitor **124** is generally bonded at or adjacent to the hermetic terminal assembly **116**. The reason for this is it is very important to intercept and decouple electromagnetic signals before they can enter into the interior space of the AIMD housing. EMI engineers call this the "genie in the bottle" effect. In other words, once the genie (i.e., EMI) is inside the AIMD housing **102**, it can wreak havoc with electronic circuit functions by cross-coupling and re-radiating all over and anywhere within the bottle (i.e., the pulse generator). Consequently, it is very important that the feedthrough capacitor filter element be disposed at the point of leadwire ingress/egress where it can attenuate and/or filter high frequency electromagnetic noise before it becomes detrimental to the intended therapy delivery of the AIMD, and potentially life threatening to the patient. Accordingly, the feedthrough capacitor **124** has an electrical connection **146** between the capacitor electrode plate metallization **130** and terminal pin **118**. There is a similar electrical connection **148** made between the capacitor outside diameter metallization **132** and the ferrule **122** of the hermetic seal housing. In this particular connection, an added performance reliability benefit is realized. In general, making an electrical connection **148** directly to a titanium surface is contraindicated. This is because titanium forms oxides which tend to be resistive, particularly at high frequency. By way of the present invention, connection is always made to a non-oxidized surface, such as the gold braze or a gold bond pad **140**. In the case of the latter, one is referred to U.S. Pat. No. 6,765,779, which illustrates such gold bond pad connections, the contents of which are herein incorporated by reference. The ferrule **122** of the hermetic terminal subassembly is generally laser welded **128** to the titanium housing **102** of the AIMD. The housing **102** forms a complete and hermetically sealed chamber, but also forms an overall electromagnetic shield. This is also known as an equipotential surface or ground. The ground symbol **144** illustrated in FIG. **5** represents that this is indeed a shielded equipotential surface.

FIG. **6** is a schematic diagram taken from FIG. **5** illustrating the unipolar feedthrough capacitor **144**. This is known in the industry as a three-terminal device. It has an end disposed toward body fluids **118** and then the leadwire passes through the feedthrough capacitor electrode plates to the interior of the AIMD at location **118'**. The capacitor ground electrode plates are electrically grounded to the AIMD housing **102**, **144**. This yields three distinct terminal locations **118**, **118'** and **144**. Substantial signal attenuation occurs at high frequency from the terminal one end of the leadwire **118** to the terminal two end of the leadwire at **118'**. In this way leadwire terminal ends one **118** and two **118'**

along with the ground **144** form a feedthrough capacitor known in the art as a three-terminal device.

FIG. **7** illustrates the quad polar feedthrough capacitor and hermetic terminal subassembly **116** previously illustrated in FIG. **3**. It is very similar to the unipolar capacitor illustrated in FIGS. **4**, **5** and **6** except in this case it has four leadwires **118a-118d** and four feedthrough holes (quad polar). It has a metallic ferrule **122** generally of titanium which is ready for laser welding into the AIMD housing **102** (not shown).

FIG. **8** is a prior art sectional view taken generally from section **8-8** from FIG. **7**. This illustrates the hermetic terminal subassembly leadwires **118a-d** passing through the hermetic terminal subassembly insulator **120** in non-conductive relationship and also through the feedthrough capacitor **124** wherein the active electrode plates **134** are electrically connected **146** to the hermetic terminal subassembly leadwire **118** and wherein the feedthrough capacitor ground electrode plates **136** are electrically connected **148** to the hermetic terminal subassembly ferrule **122** and gold braze **140**. Referring once again to FIGS. **3**, **5**, **7** and **8**, in each case it is seen that the hermetic terminal subassembly leadwires **118a-d** pass all the way through the entire structure, namely, the hermetic terminal subassembly **116** and the feedthrough capacitor **124**. In general, these hermetic terminal subassembly leadwires **118a-d** are continuous and pass through from the body fluid side to the inside of the device **100** housing **102**. Because the hermetic terminal subassembly leadwires **118a-d** pass through from the body fluid side to the inside of the device by way of header block connector assembly or the like, it is very important that these hermetic terminal subassembly leadwire **118** materials be both biocompatible and non-toxic. Generally in the prior art, these hermetic terminal subassembly leadwires are constructed of platinum or platinum-iridium, palladium or palladium-iridium, niobium or the like. Platinum-iridium is an ideal choice because it is biocompatible, non-toxic and is also mechanically very strong. The iridium is added to enhance material stiffness and to enable the hermetic terminal subassembly leadwire to sustain bending stresses.

An issue with the use of platinum for hermetic terminal subassembly leadwires **118a-d** is that platinum has become extremely expensive and may be subject to premature fracture under rigorous processing such as ultrasonic cleaning or application use/misuse, possibly unintentional damaging forces resulting from Twiddler's Syndrome. Accordingly, what is needed is a filtered structure like a feedthrough-feedthrough capacitor assembly **116**, **124** which eliminates these high-priced, platinum, platinum-iridium or equivalent noble metal hermetic terminal subassembly leadwires **118**. For additional examples of hermetic terminal subassemblies with feedthrough capacitors that employ leadwires **118**, one is referred to U.S. Pat. Nos. 5,333,095, 5,896,267, 5,751,539, 5,905,627, 5,959,829, 5,973,906, 6,008,980, 6,159,560, 6,275,379, 6,456,481, 6,529,103, 6,566,978, 6,567,259, 6,643,903, 6,765,779, 6,765,780, 6,888,715, 6,985,347, 6,987,660, 6,999,818, 7,012,192, 7,035,076, 7,038,900, 7,113,387, 7,136,273, 7,199,995, 7,310,216, 7,327,553, 7,489,495, 7,535,693, 7,551,963, 7,623,335, 7,797,048, 7,957,806, 8,095,224, 8,179,658 the contents of all of which are incorporated herein by reference.

As discussed earlier, for ceramic based hermetic terminals or feedthroughs, the most critical feature in its design is the metal/ceramic interface. Also as indicated above, one method for limiting residual stress is to select combinations of materials whose thermal contractions after bonding are matched. Alternatively, materials with different CTEs can be

coupled through braze materials whose high creep rate and low yield strength reduce the stresses generated by the differential contraction. Given the challenge associated with CTE matching, it is the intent of the present invention to deliberately generate hermetic structures with residual stress levels such that either matched hermetic structures or structures that have protectively compressive stresses from the ceramic part to the filled via material at the bonding interface are created, thereby creating a hermetic seal. As given above, usually this is accomplished by selecting components with different CTEs, however, the intent of the present invention is to deliberately create the desired level of residual stresses by judiciously selecting the ceramic and via fill materials and prescribing a firing process that results in the ceramic material shrinking more than that of the via fill material. Additionally, the intent of the present invention is to deliberately create a mutually conformal interface (tortuous, intimate knitline) between the ceramic and the via fill materials. Further, the intent of the present invention is to also deliberately create an interface bond between the ceramic and the via fill material that is tolerant of stress and of CTE mismatch between the ceramic and the via fill materials and is not susceptible to erosion by body fluids so as to achieve sustainable hermeticity over service life. The term “knitline” is defined herein as the interfacial boundary between the alumina and the platinum. The knitline may form a meandering or undulating path that provides sufficient tortuosity such that it inhibits crack initiation, and more importantly, crack propagation, and additionally, because of the intimacy of the knitline, impairs leakage of fluids. As used herein, the word tortuous or tortuosity refers to the roughened, complex, or undulating knitline that is formed at the interfacial boundary between the alumina and the platinum. This tortuous interface is characterized by hills and valleys which is topographically three dimensional and forms a very strong and reliable hermetic bond.

In part, the critical aspect of the metal/ceramic interface is related to the intimacy and tortuosity of the knitline formed when the metal surface mates with the ceramic surface (i.e., post sintering, the metal surface should mirror the image of the ceramic surface and intimately, or tightly, mate with each other), the type of bond between the ceramic and the metal (certain glass phased interfaces are contraindicated due to their susceptibility to erosion by body fluids, and hence, subsequent separation and loss of hermeticity at these interfaces), and the sensitivity of the bond strength to a tensile stress field (residual stresses in the final structure should be sufficiently less than the possible failure stresses of the structure). Any broken symmetry, aberrant dimensionality due to poor process control, unfavorable design aspect ratios, design aspects wherein intolerable stress concentrations or fields develop, atomic relaxation is inhibited and intermixing of atoms at their boundaries that can substantially negatively modify the deformational tolerance of the final structure must be considered when creating interfaces between ceramic oxides and conductive metal vias within those ceramic oxides to preserve intentional immediate and sustainable functional behavior such as hermeticity.

There are a number of patents that disclose alternatives for platinum leadwires **118** in hermetic terminal subassemblies. Among these are a few that discuss hermetic terminals manufactured by a co-fire process and based on an alumina ceramic with platinum paste filled vias. Some of the more prominent concepts are disclosed in U.S. Pat. Nos. 5,782,891 to Hassler et al., 6,146,743 to Haq et al., 6,414,835 to Wolf et al., 8,000,804 to Wessendorf et al., 8,043,454 to

Jiang et al., and US Published Applications 2007/0236861 to Burdon et al., 2007/00609969 to Burdon et al., 2011/0102967 to Munns et al., and 2011/0248184 to Shah. None of the prior art concepts, however, including the prominent concepts noted above, teaches a structure that has a mutually conformal interface, also called a tortuous, intimate knitline, that results in sustainable hermeticity for an AIMD. Further, none of the prior art, including the prominent concepts noted above, teach a structure, or the manufacture of such a structure, having residual stress levels such that either matched hermetic structures or structures that have protectively compressive stresses from the ceramic part to the filled via at the bonding interface are created.

Briefly discussing each of the prominent concepts provided above, U.S. Pat. No. 5,782,891 to Hassler et al. is directed to an implantable ceramic enclosure which has a hermetically sealed substrate through which vias pass. While Hassler teaches a ceramic substrate feedthrough co-fired with metallic conductive interconnects, these interconnects are either staggered or are straight with a broad conductor (see Hassler FIG. 8). It is the staggering of the vias alone or in conjunction with a broad conductor that imparts hermeticity of the vias in this structure, and not a mutually conformal interface or tortuous, intimate knitline for a single straight via. Additionally, Hassler teaches selection of materials to avoid shrinkage mismatch and not structures wherein shrinkage of the ceramic is greater than shrinkage of the filled via material. Further Hassler does not teach a terminal or feedthrough having residual stress levels such that matched hermetic structures or structures that have protectively compressive stresses from the ceramic part to the filled via material at the bonding interface are created.

U.S. Pat. No. 6,146,743 to Haq et al. teaches hermetically sealed multilayer substrates with vias. One is directed to Haq FIG. 16, which has been reproduced herein as FIG. **11**. FIG. **11** shows the cross section of via fill after sintering. Haq discloses that in this structure the “ceramic powder component also improves the degree of adhesion between the ceramic forming the substrate itself and external via 66, thereby ensuring the formation of an hermetic seal in ceramic substrate 50. This hermetic seal inhibits or prevents internal metallization layers 64 from becoming oxidized when substrate 50 is air-fired during one method of the present invention.” FIG. **11A** is taken from section **11A-11A** from FIG. **11** and shows a blow-up of the internal microstructure of the Haq post-sintered via 180. One is directed to Haq column 21, lines 32-43. Towards the end of that paragraph it states, “As the unfired green tape material emerges from the casting tape machine, it is coated with a castable dielectric composition that upon firing at high temperatures forms a glass.” It is the external via that imparts hermeticity of the internal vias in this structure, and not a mutually conformal interface or tortuous, intimate knitline for a single straight via. Regarding shrinkage, Haq teaches matching shrinkages between ceramic and filled via material. Haq does not teach a structure wherein shrinkage of the ceramic is greater than shrinkage of the filled via material. Further Haq does not teach a terminal or feedthrough having residual stress levels such that matched hermetic structures or structures that have protectively compressive stresses from the ceramic part to the filled via material at the bonding interface are created.

U.S. Pat. No. 6,414,835 to Wolf et al. discloses “hermetically sealing the common substrate edge to the ferrule inner wall within the centrally disposed ferrule opening and electrically coupling the plurality of substrate ground paths to the ferrule”, and claims a “plurality of substrate conduc-

tive paths extending through the co-fired metal-ceramic substrate between the internally and externally facing layer surfaces and electrically isolated from one another further comprise a plurality of electrically conductive vias extending through via holes of the plurality of layer thicknesses and a plurality of electrically conductive traces formed on certain of the internally or externally facing layer surfaces such that the conductive traces join the conductive vias to form each substrate conductive path.” FIG. 5 of Wolf et al. illustrates this as staggered vias. Further the vias in FIG. 5 of Wolf are subsequently covered with biocompatible end caps 70 and biocompatible gold brazes 80 on the body fluid side. It is the staggering of the vias in conjunction with the end caps that imparts hermeticity of the vias in this structure, and not a mutually conformal interface or tortuous, intimate knitline for a single straight via. Wolf teaches trimming laminated ceramic layers to account for shrinkage and also compression of the co-fired substrate by the ferrule. Wolf, however, does not teach structures wherein shrinkage of the ceramic is greater than shrinkage of the filled via material. Further Wolf does not teach a terminal or feedthrough having residual stress levels such that matched hermetic structures or structures that have protectively compressive stresses from the ceramic part to the filled via material at the bonding interface are created.

U.S. Pat. No. 8,000,804 to Wessendorf et al. illustrates an electrode array for a neurostimulator. The Wessendorf patent teaches “a plurality of electrodes arranged in a two-dimensional array and extending through the ceramic base between the first and second major surfaces; a ceramic lid having a plurality of electrical connections extending there-through, with the ceramic lid being attachable to the ceramic base to form a hermetically-sealed interior region; and an electronic circuit (e.g. a demultiplexer circuit) located within the hermetically-sealed interior region.” Hermeticity in this case is imparted by “a two-part ceramic package which can be hermetically sealed” and not by a mutually conformal interface or tortuous, intimate knitline for each single straight via. Wessendorf teaches matching CTEs for ceramic and via fill materials, however, Wessendorf does not teach structures wherein shrinkage of the ceramic is greater than shrinkage of the filled via material. Further Wessendorf does not teach a terminal or feedthrough having residual stress levels such that matched hermetic structures or structures that have protectively compressive stresses from the ceramic part to the filled via material at the bonding interface are created.

U.S. Pat. No. 8,043,454 to Jiang et al. describes a method of making a hermetic via in a ceramic substrate that is composed of a noble metal powder in a glass-free paste that contains alumina and a mixture of niobium pentoxide. The addition of the niobium pentoxide to the pre-sintered paste prevents shrinkage of the paste during thermal processing and binds to both the ceramic and the noble metal particulates in the via, thus maintaining a hermetic seal around the via. Hence, hermeticity in this case is imparted by niobium pentoxide and not a mutually conformal interface or tortuous, intimate knitline for a single straight via. Jiang teaches avoiding CTE mismatches for feedthroughs and compression seals formed by metal tubing on ceramic insulators, however, Jiang does not teach structures wherein shrinkage of the ceramic is greater than shrinkage of the filled via material. Further Jiang does not teach a terminal or feedthrough having residual stress levels such that matched hermetic structures or structures that have protectively compressive stresses from the ceramic part to the filled via material at the bonding interface are created.

U.S. Patent Publications 2007/0236861 and 2007/0060969 both to Burdon et al. disclose hermetic interconnects for implantable medical devices. One embodiment includes a conductive material introduced to a via in a single layer. Also disclosed are alumina ceramic with vias in which the conductive material may be platinum. Both publications discuss terminal assemblies comprising staggered vias only. Hermeticity in these structures is imparted by the staggered vias and not by a mutually conformal interface or tortuous, intimate knitline for a single straight via. Neither application teaches structures wherein shrinkage of the ceramic is greater than shrinkage of the filled via material. Further neither application discusses or teaches a terminal or feedthrough having residual stress levels such that matched hermetic structures or structures that have protectively compressive stresses from the ceramic part to the filled via material at the bonding interface are created.

U.S. Patent Publication 2011/0102967 to Munn et al. discloses a multilayered feedthrough for an implantable medical device that includes a substrate having a first edge, a second edge, and a substrate length. A plurality of traces is formed on the substrate and extends along the substrate length. The plurality of traces extends to the first and second edges of the substrate. An insulator layer is formed on the substrate and the plurality of traces. A ground plane layer is formed on the insulator layer. Munn FIG. 7 shows the individual vias of this structured captive within these substrates which in turn imparts hermeticity to this structure and not by a mutually conformal interface or tortuous, intimate knitline for a single straight via. Munn does not discuss or teach structures wherein shrinkage of the ceramic is greater than shrinkage of the filled via material. Further Munn does not discuss or teach a terminal or feedthrough having residual stress levels such that matched hermetic structures or structures that have protectively compressive stresses from the ceramic part to the filled via material at the bonding interface are created.

U.S. Patent Publication 2011/0248184 by Shah reveals a sensor substrate with via holes. At least one of the via holes is hermetically sealed with an optically transmissive material and not by a mutually conformal interface or tortuous, intimate knitline for a single straight via. Shah does not discuss or teach structures wherein shrinkage of the ceramic is greater than shrinkage of the filled via material. Further Shah does not discuss or teach a terminal or feedthrough having residual stress levels such that matched hermetic structures or structures that have protectively compressive stresses from the ceramic part to the filled via material at the bonding interface are created.

In summary, none of the prior art concepts teach a structure that has a mutually conformal interface or tortuous, intimate knitline that results in sustainable hermeticity for an AIMD, has higher shrinkage of the ceramic than of via fill material, or possesses residual stress levels such that matched hermetic structures or structures that have protectively compressive stresses from the ceramic part to the filled via material at the bonding interface are created.

It is understood that “vias” are defined as holes, apertures, conduits, or voids created in either insulators or capacitors. A via can also be filled with a conductive material or bore-coated with a conductive material such that the inside surface is metalized and conductively coated. A via in a capacitor will generally be referred to as a capacitor via. A via in an insulator will generally be referred to as an insulator via. Accordingly, the terms filled or bore-coated can also be applied to either capacitor vias or insulator vias.

FIG. 9 illustrates a prior art cross-section of a different type of hermetic terminal subassembly substrate **120** via fill. The insulator **120** is a ceramic substrate formed by roll compaction. After compaction, the leadwire **180** is placed within the insulator via. In this case, the insulator via is filled with a solid platinum leadwire **180**. One is referred to U.S. Pat. Nos. 7,480,988; 7,989,080; and 8,163,397. These three patents share a common priority chain and are directed to a method and apparatus for providing a hermetic electrical feedthrough. All three of these patents were assigned to Second Sight Medical Products, Inc. and will hereinafter be referred to as the "Second Sight" patents. FIG. 3 of the Second Sight patents is a flow process that starts with drilling blind holes in a green ceramic sheet. Then lengths of platinum leadwire **180** are cut and inserted into the sheet holes in step **39**. The ceramic wire assembly is then fired at 1600° C. in step **44**. Second Sight discloses that "during the firing and subsequent cooling, the ceramic expands shrinking the holes around the wires **38** to form a compression seal. The shrinkage is believed to occur, at least in part, as a consequence of polymer binder burnout. The fine aluminum oxide suspension permits uniform and continuous sealing around the surface of the wire. Additionally, at the maximum firing temperature, e.g., 1600° C., the solid platinum wires being squeezed by the ceramic exhibit sufficient plasticity to enable the platinum to flow and fill any crevices. This action produces a hermetic metal/ceramic interface." Further, Second Sight discusses that "After lapping, the feedthrough assembly comprised of the finished ceramic sheet and feedthrough wires, is subjected to a hermeticity test, e.g., frequently a helium leak test as represented by block 56 in FIG. 3." While Second Sight discusses forming a compression seal and platinum flow to fill any crevices, creation of mutually conformal interface or tortuous, intimate knitline between the alumina and the platinum wire is not taught.

In addition, latent hermetic failures in device feedthrough terminals have been known to occur due to susceptibility of the glass phased interface between these mating materials to erosion by body fluids. This outcome is particularly prevalent for interfaces comprising silicate glasses that are often a result of the additives to ceramic slurries forming the tapes and via fill materials that are used to build multilayer ceramic feedthrough structures. Dissolution of silicate glasses is composition dependent. In particular, erosion of silicate glasses in the body typically occurs when the silica content is lower than about 60%. Silica glasses, as suggested by the name, are based on a tetrahedral network of atoms comprising silicon and oxygen covalently bonded to each other. Heat treatment during the assembly process of the feedthrough structure provides the means by which other elements, such as alkali and/or alkaline ions, can be introduced into the silica atomic network. When the glass composition formed at the interface is more than 60% silica, the atomic network within the glass structure typically becomes resistant to reaction with body fluids due to the dense nature of the atomic network structure. However, when the glass composition formed at the interface is less than about 60%, the glass structure is more susceptible to atomic structural degradation.

Degradation is generally due to the disruption of the silica atomic network within the glass structure by other elements, such as alkali and/or alkaline ions, introduced during binder bake out and sintering. These other elements are typically introduced into the feedthrough structure from additives used within the green alumina tape or the via fill materials, such as the platinum paste, or both. For example, if the additives in either material make available alkali-metal

atoms for exchange with silicon atoms within the silica atomic network, and if the result is an interface having a silica weight percent below about 60%, then rapid ion exchange of the alkali-metal cations with hydrogen ions from body fluid typically occurs. This results in the formation of functional hydroxyl, or —OH, groups that are highly reactive in the body, breaking down and weakening the atomic network structure of the glass phased interface thus increasing the likelihood of a breach in the hermeticity of the feedthrough terminal. Hence, hermetic structures created by mating alumina and platinum are not obvious and any inherency in the bond developed between these two materials does not necessarily result in a biocompatible final structure that can sustain hermeticity over the service life of an AIMD.

Once again referring to U.S. Pat. No. 8,043,454 of Jiang et al., in sharp contrast to the present invention, Jiang adds between 1-10 percent by weight of niobium pentoxide. Another way to look at this is in the present invention, organic binders and solvents are used as opposed to inorganic additives. Referring once again to FIG. 11A, additives to the platinum via fill **180** such as disclosed by Haq may result in unfavorable functionality. For example, the elongate channel-like structures **184** that are actually a result of additives like ceramic powder can lower electrical conductivity if the conductivities of these phases are significantly different from the primary densified material formed. This is discussed in some of the prior art cited. It is very important for human implant applications that the resistivity of the filled via holes be as low as possible. The inventors have found that adding any ceramic powder to the platinum paste substantially increases the electrical resistivity of the post sintered via hole. This is a major reason why the inventors have been working over a number of years to develop a pure platinum sintered via hole. This is particularly important for AIMDs, such as implantable cardioverter defibrillators. An implantable cardioverter defibrillator not only senses electrical activity, but it must be able to deliver a very high voltage and high current shock in order to defibrillate the patient. This means that the entire system, including the lead conductors, the hermetic terminal subassembly via holes, and associated internal circuitry must have very low resistance and low impedance so that a high current can be effectively delivered. Furthermore, and as noted above, the creation of a glassy-phased structure **184** bonded has the potential problem of latent hermetic leaks when exposed to body fluid. The present invention resolves this issue.

In the present invention, a post sintered essentially high purity alumina substrate **188** with one or more via holes **186** that pass from an outside surface of the alumina substrate **188** to an inside surface of the alumina substrate **188** is provided wherein, the via holes **186** comprise a non-toxic and biocompatible post sintered essentially pure platinum fill. There are several differences between the present invention and the prior art in addition to those specifically discussed in the brief overview of specific art cited. In the prior art, typically various additives are used to modify the alumina ceramic and/or the platinum paste. In the prior art, at times, it is not even a pure platinum paste that is used (see Wessendorf column 5, line 29), but rather one containing other refractory type materials, such as tungsten or the like. These additives are used to match the CTE during fabrication. In other words, these prior art systems go to a lot of effort to match the ceramic and metal parts of the system so that cracking or loss of hermeticity between the alumina substrate **188** and via **186** does not occur over time. Additionally, much of the prior art processes lay down a thin layer

of ceramic tape, then use thick-film screen printing or other methods to deposit circuit traces and filler for the previously fabricated via holes **180**. These fillers include tungsten inks and the like. Then, these individual layers are dried, stacked up and pressed (laminated) into a bar. There are often registration errors and stair-stepping is visible in the cross-sections of such vias **180**.

In the present invention, via holes are not formed in individual tape layers before stack-up. Instead, the alumina ceramic slurry can be thick-cast into tape and then laid down in layers or it may be injected, molded, powder pressed or the like to form a single monolithic structure. In this state, the alumina ceramic is still in the green and very pliable due to the organic binders and solvents that have been temporarily added to the system. It is at this point that via holes **186** are drilled therethrough from the outer surface (body fluid side) to an inner surface (AIMD electronic side) of the alumina substrate **188**. Because the holes are drilled after formation of the pre-sintered ceramic substrate **188**, there is no requirement for registration with the consequential "stair-stepping" (due to misregistration) that is visible in cross sections of some prior art structures, for example those described in the Second Sight patents.

After via holes are formed, the pure platinum paste composition is injected under pressure or via vacuum into the via holes **186**. The pressure or vacuum is carefully controlled in the present invention so that the platinum paste is driven intimately along the surface of the inside of the via such that the paste conforms to and creates a mirror image of the inner surface of the via in the alumina ceramic and, in so doing, interconnect with the already tortuous members prevalent in ceramic/particulate formation. A mutually conforming interface **191** is thereby formed between the platinum fill and the inside diameter of the via hole in the ceramic. Drilling is a preferred method of forming the via hole, but these via holes may also be formed by punching, laser drilling, water cutting or any other equivalent process.

As used herein, the term "essentially high purity alumina" means alumina ceramic with the chemical formula Al_2O_3 . "Essentially pure" means that the post-sintered ceramic is at least 96% alumina. In a preferred embodiment, the post-sintered ceramic is at least 99% high purity alumina. Prior to sintering, the alumina may be a paste, a slurry or green state, and can contain organic solvents and binders. Once these organic solvents and binders are baked out, the alumina is sintered becoming essentially high purity alumina. Similarly, prior to sintering, the platinum paste also contains binders and solvents. The drilled vias of the ceramic insulator are filled with the platinum paste. It is after the binders and solvents are baked out at elevated temperature and then sintered that they are substantially removed and an essentially pure platinum via hole is created.

One is referred to FIG. **12** which is a flow chart illustrating the main steps of the process of the present invention. First, an essentially high purity alumina substrate is formed. The essentially high purity alumina can be formed either through injection molding, green machining, powder pressing **166**, by pressing powder into an injection die, or by tape casting and then stacking and laminating individual layers, under a pressure ranging from about 1,000 psi to about 5,000 psi at a temperature ranging from about 60° C. to about 85° C. for about 5 minutes to about 15 minutes into a bar **168**. After formation of the bar in step **168**, the via holes are formed preferably by drilling through the structure, however punching, pressing, laser or waterjet operations may also be used to form the holes **170**. All of the via holes would be filled in step **172** with an essentially pure platinum paste containing

organic solvents and organic binders. It should be noted that organic solvents and binders also make up a percentage of the green essentially high purity alumina substrate. A further clarification is required here. As used herein, "essentially pure" means essentially pure post-sintering once the bulk of the binders and solvents have been baked out in step **174** and/or sintered in step **176**, both at elevated temperature. Once the binders and solvents have been driven out of the system and sintering **176** has occurred, the result is a solid monolithic high purity alumina substrate **188** with one or more pure platinum via holes **186** extending from an alumina substrate **188** outer surface to an inner surface. The outside diameter or the perimeter of the alumina substrate can now be prepared for attaching a ferrule **122** as previously illustrated in FIGS. **5**, **7** and **8**. In the present invention, the ferrule **122** is attached using conventional prior art techniques. That is, the outside diameter or perimeter of the sintered alumina substrate **188** is metalized (sputtered). The metallization would typically be in two layers with a first layer being an adhesion layer and the second layer being a wetting layer, **178**. Then the ferrule is attached to these metalized ceramic layers through a gold brazing process **178** wherein, pure gold is reflowed such that it wets the titanium ferrule and also wets to the metalized surfaces that were previously sputtered onto the alumina ceramic. Again, this ferrule attachment method is very common in the prior art.

The present invention centers around three enabling areas: (1) via packing with a high solids loading in the paste, (2) compression by the ceramic of the metal paste during binder bake out and sintering, and (3) a controlled cool down rate in combination with interfacial bonding sufficient to tolerate coefficient of thermal expansion (CTE) mismatch.

Metal/ceramic compatibility is an important factor in manufacturing hermetic terminals. The difference in CTEs of the metal and ceramic is recognized as a major parameter in predicting compatibility. The thermal expansion of metal is generally considerably greater than those of ceramics. For example, at a bakeout temperature of 500° C., the CTE of alumina is $7.8 \times 10^{-6}/\text{K}$ and of platinum is $9.6 \times 10^{-6}/\text{K}$. Historically, CTE differences within 0.5 to $1.0 \times 10^{-6}/\text{K}$ between the mating metal and ceramic materials are adequate to sustain hermetic bonding between these materials. However, it is believed differences beyond these limits provided at the bake out temperature for the alumina/platinum pair may produce sufficient tensile stresses at the interface during cool down to cause spontaneous bonding failure. Hence, given the significant difference in CTEs, even at a relatively low temperature of 500° C., achieving a hermetic seal between the platinum metal and alumina ceramic would not be expected if the difference in CTE between the sintered alumina and the platinum metal exceeds 0.5 to $1.0 \times 10^{-6}/\text{K}$. Rather, the present invention achieves a hermetic feedthrough structure through the controlled fabrication process parameters of the platinum metal particle solids loading within the paste, controlled packing of the platinum paste within the via, and the controlled shrinkage of the alumina substrate and platinum via paste through a prescribed co-fire heating profile.

In addition, a highly irregular surface at the material interface between the alumina substrate and the platinum metal particles within the via provides a mechanical contribution to adherence and robustness of the hermetic seal. A surface roughness produced by drill bits, sandblasting, grit-blasting or chemical etching of the metal substrate can increase the surface area and, in so doing, provide for a stronger mechanical attachment along the mutually conformal interface. Applying this concept to the alumina/platinum

interface therein provides for another novel aspect of the present invention. Examples of sandblasting and gritblasting media include sand, sodium bicarbonate, walnut shells, alumina particles or other equivalent media.

In the present invention, to achieve sustainable hermeticity, the following is required. Because the CTE of platinum is sufficiently higher than the CTE of alumina, it is not theoretically possible for alumina to provide compressive forces on a platinum body in a via. Hence, to overcome the CTE differences between these two materials, the platinum body in the via must be formed using a paste, a slurry or the like, having a minimum of 80% solids loading. In a preferred embodiment, the solids loading of the platinum particles within the paste is 90%. In a more preferred embodiment, the solids loading of the platinum particles within the paste is 95%. In addition, the via must be packed with the platinum paste to occupy at least 90% of the available space within each via opening. In a preferred embodiment, the platinum paste is packed within the via opening to occupy 95% of the space. In a more preferred embodiment, the platinum paste is packed to occupy 99% of the via opening. The shrinkage of the alumina must be no greater than 20% of that of the platinum fill in the via. In a preferred embodiment, shrinkage is 14%. In a more preferred embodiment, shrinkage is 16%.

Furthermore, the assembly is exposed to a controlled co-firing heating profile in ambient air that comprises a binder bakeout portion, a sintering portion and a cool down portion.

In an embodiment, the binder bakeout portion is performed at a temperature of between 400° C. to 700° C. for a minimum of 4 hours. A preferred binder bakeout is at a temperature of between 550° C. to 650° C. A more preferred binder bakeout is at a temperature of between 500° C. to 600° C. The sintering profile portion is preferably performed at a temperature ranging from 1,400° C. to 1,900° C. for up to 6 hours. A preferred sintering profile has a temperature between 1,500° C. to 1,800° C. A more preferred sintering temperature is between 1,600° C. to 1,700° C. The cool down portion occurs either by turning off the heating chamber and allowing the chamber to equalize to room temperature or, preferably by setting the cool down portion at a rate of up to 5° C./min from the hold temperature cooled down to about 1,000° C. At 1,000° C., the chamber is allowed to naturally equalize to room temperature. A more preferred cool down is at a rate of 1° C./min from the hold temperature to about 1,000° C. and then allowing the heating chamber to naturally equalize to room temperature. In so doing, the desired outcome of achieving a robust hermetic seal is achieved between the mating materials of the alumina and platinum. It is noted that these materials have a CTE mismatch beyond the limits heretofore recognized as adequate for sustained bonding.

During processing of the platinum fill densities and additionally during the densification phase, compression is imparted by the alumina around the platinum within the via due to the shrinkage of the alumina being greater than that of the platinum. Furthermore, the platinum is sufficiently malleable at this phase to favorably deform by the compressive forces being applied by the alumina. The combination of the platinum solids loading, the platinum packing in the via and the shrinkage of the alumina being greater than the platinum fill results in the platinum taking the shape of the mating alumina surface. The amount of platinum solids loading, its packing percentage within the via and the malleability of the platinum material all contribute to formation of a hermetic seal between the platinum and alumina.

In addition, the compressive forces that result from the greater shrinkage of the alumina substrate than that of the platinum within the via limit expansion of the platinum and force the platinum to deform such that it forms a hermetic seal. Thus an interface between the alumina and platinum materials that conforms to the respective interface surfaces and results in a nearly exact mirror image of the interfacing surfaces is formed, thereby creating a hermetic bond therebetween. This mutually conformal interface is critical, particularly as researchers studying bonding between alumina and platinum believe that any strength in the bonding between the alumina and platinum is physical.

As noted earlier, strong bonding between the alumina and the platinum is the most important factor in achieving sustainable hermeticity in feedthrough terminals for AIMDs. The inventors have learned that the co-fire parameters used to form the hermetic terminals of the present invention provide unanticipated, but novel benefit of leveraging the catalytic nature of platinum, that is, platinum's affinity for certain elements, which enables either direct bonding or formation of an interfacial layer between the two materials. Analysis of the interface between the alumina and the platinum of this invention disclosed not only the creation of an intimate knitline, but, in the case of the interfacial layer, a hermetic structure that exhibits an amorphous layer at the knitline comprising the elements platinum, aluminum, carbon and oxygen that appears to impart resistance to erosion by body fluids. Both these bonding mechanisms, direct bonding and an amorphous interfacial layer, offer additional tolerance to the CTE mismatch between these two materials.

FIGS. 13 and 14 are simplified unipolar cross-sectional views (without ferrules) showing the essentially high purity alumina ceramic 188 of the present invention with a pure platinum via hole 186. The ceramic in FIG. 13 has been formed from a single monolithic body, either through injection molding or green machining or the like. In contrast, FIG. 14 illustrates that the alumina ceramic 188 has been formed by stacking up individual tape layers L1, L2, L3 . . . Ln. In both cases, the platinum paste 186 is injected into the via hole in such a way that it compacts and fills every ridge and valley of the inside diameter of the via hole itself imparting symmetry, intimacy and preserving tortuosity. This symmetry, intimacy and tortuosity, in turn, impart tolerance to shearing and/or tensile stresses that might develop during cool down and/or during service. Tolerance to these stresses, in turn, imparts sustainable hermeticity over the service life of an AIMD. For simplicity, in FIGS. 13 and 14, the two side walls of the via hole are shown as straight lines. In reality, these via holes have an irregular edge with high spots, low spots, little ridges and so on, imparted by the bound particulate materials used for the mating materials.

Referring back to FIGS. 13 and 14, one can see that there is a body fluid side and a device side of the platinum filled via 186. It is extremely critical, in this application, that the resistance or the resistivity from the body fluid side to the device side of the via hole be very low. This is critically important when an AIMD delivers therapeutic pulses such that they not be attenuated which could result in pulse degradation and/or reduced AIMD battery life. It is very critical that resistance or resistivity be quite low in an implantable cardioverter defibrillator application. This is because the entire lead system, including the platinum filled via hole, must handle the very high current monophasic or biphasic defibrillation shock pulse. The resistance from the body fluid side to the device side of the platinum filled via would be no greater than about 0.5 ohms. In another

embodiment, the resistance from the body fluid side to the device side of the platinum filled via would be no greater than about 0.3 ohms. In another embodiment, the resistance would be no greater than about 100 milliohms. In another embodiment, the resistance would be no greater than about 10 milliohms. In another embodiment, the resistance would be no greater than about 2 milliohms.

FIG. 15 illustrates a co-fired high purity alumina hermetic terminal subassembly with pure platinum filled vias **186** of the present invention. The pure platinum fill **186** forms a tortuous, intimate and mutually conformal interface **191** between the alumina dielectric insulator substrate **188** and the platinum fill **186**.

FIG. 16 is taken from section 16-16 from FIG. 15 and shows the post-sintered condition wherein the platinum via **186** and the alumina ceramic **188** form a tortuous, intimate, mutually conformal interface **191**. The peaks and valleys of this tortuous surface are very important in the present invention as it increases the surface area of the mating surfaces which offers interfacial intimacy that imparts tolerance for mismatch in the CTE between the high purity alumina substrate **188** and the sintered pure platinum via **186**. During thermal excursion, stresses can develop at the interface between the alumina ceramic **188** and the pure platinum via **186** as shown in FIG. 16. This is where the tortuous surface becomes very important. The ridges and valleys that exist between the two surfaces of the interface **191** form an intimate structure capable of withstanding compressive, tensile and shear stresses. This is a result of a greatly increased contact surface area between the sintered alumina substrate material and the sintered pure platinum fill **186**. This greatly increased contact surface area improves the overall strength and helps sustain hermeticity of the pure platinum-filled via hole. Helium leak rates of no greater than 1×10^{-7} std cc He/sec are readily achieved using this novel process. In preferred embodiments, the helium leak rate would be no greater than 1×10^{-8} , 1×10^{-9} , 1×10^{-10} , 1×10^{-11} or even 1×10^{-12} std cc He/sec.

Another important feature of the present invention is closed cell porosity **190** as shown in FIG. 15 in the pure platinum **186**. This closed cell porosity **190**, **190'**, **190''** is best illustrated in FIG. 16, which is a sectional view taken from section 16-16 from FIG. 15. Referring back again to FIG. 16, one can see there are a number of closed pores **190**, **190'**, **190''** and the like. First of all, in the present invention, there are no ceramic powders, glasses or other additives (other than temporary binders and solvents) to the platinum fill paste **186**. Further, the platinum fill paste comprises at least 80% solids. Accordingly, when the present invention is sintered, a dense filled via with carefully controlled, well distributed, closed-cell pores **190** forms. The presence of these pores are not contiguous, and hence do not compromise the hermeticity of the overall via structure **186**. Also, given that a dense filled via forms, these pores are relatively few in number so they have minimal, if any, effect on the overall resistivity of the via hole from one end to the other.

FIG. 17 is a novel hermetic seal of the present invention. It has some features in common with prior art hermetic seals, particularly those illustrated in FIGS. 3, 5 and 8. The outside diameter of the alumina hermetic insulator **188** has metalized surfaces **150** and **152**, which are adhesion and wetting surfaces so that gold braze **140** can be melted and hermetically bonded to the alumina hermetic insulator **188** and the ferrule **122** of the hermetic terminal assembly **189**. As in the previous drawings, the ferrule **122** may be installed into the AIMD housing **102** by laser welding **128**, or the like. As previously mentioned, it is a major goal of the present

invention to eliminate the highly expensive biocompatible and noble leadwires **118**, as previously illustrated in FIGS. 3, 5 and 8. Referring once again to FIG. 17, it is apparent that instead of a feedthrough leadwire, the present invention comprises a pure platinum filled via hole **186**. It is a novel feature of the present invention that this via hole material **186** be of essentially pure platinum that is co-fired with the essentially high purity alumina ceramic substrate **188**.

FIG. 17A is similar to FIG. 17 except that the ceramic body **188** has been laid down in individual tape layers. After sintering, these individual layers form a monolithic structure and are very difficult, if not impossible, to discern.

FIG. 17B is very similar to FIGS. 17 and 17A except that the novel platinum filled via hole **186** has counter-bores **195** shown on both ends. It will be obvious to those skilled in the art that these counter-bores **195** could be counter-sinks, counter-bores or any shape and they could be at both the top and the bottom of the substrate surfaces as shown. They could also be just on one side of the substrate (not shown). This permits use of a very thin diameter via hole which saves on the amount and expense of pure platinum while at the same time provides a large surface area for a ball grid array attachment, for example, of a feedthrough capacitor as will be described in subsequent drawings.

FIG. 18 is very similar to FIGS. 17 and 17B except that a novel wire bond cap **192** has been placed on top of the via hole **186**. In a preferred embodiment, this wire bond cap **192** could be of similar compatible metal, like pure platinum, such that it could be co-fired, to electrically and mechanically connect to the via hole fill material **186**. This wire bond pad **192** can be placed on the top side as shown, or the bottom side, not shown, or both sides depending on the application and how wires would be routed to an implanted lead, an AIMD connector-header block, or the like. Referring once again to FIG. 18, the novel cap **192** can be set into a counter-bore hole as shown or it can be set flush or proud on the top surface of the alumina **188**, or any variation thereof. Referring once again to FIG. 18, an implantable lead conductor could be connected to a wire bond pad **192** located on the body fluid side. In general, the implantable lead conductor or header block leadwire **118** would have a distal electrode in contact with biological cells.

It has been demonstrated that in a normal patient environment, a patient can be exposed to EMI. This EMI can take many forms, such as that from cellular telephones, airport radars, microwave ovens, and the like. A new international standard ISO 14117 has evolved, which includes tests standards to which cardiac pacemakers and implantable defibrillators must be exposed in order to be qualified by the FDA. There are similar specifications for cochlear implants and neurostimulators. Accordingly, it is important to provide EMI filtering at the point of lead conductor ingress into the interior of the AIMD. It is best to decouple high frequency interference before it gets inside of the AIMD housing **102**. Once inside an AIMD housing **102**, as illustrated in FIG. 3, the EMI can undesirably cross-couple or re-radiate to sensitive circuits where it can disrupt the proper functioning of the AIMD. In extreme cases, pacemaker inhibition has been documented which is immediately life-threatening for a pacemaker dependent patient. Accordingly, there is a need in the present invention, to provide for EMI filtering at the point of implanted lead ingress into the implanted medical device housing **102**.

FIG. 19A is a top view of the novel co-fired high purity alumina (Al_2O_3) hermetic terminal subassembly **189** with one or more pure platinum filled vias **186** of the present invention. This configuration illustrates that the present

invention is capable of very large scale integration. That is, a hundred or even a thousand novel platinum filled vias **186** can be placed in a high purity alumina substrate **188**. In addition, these vias **186** on the body fluid side may have a metal protrusion **193** which is co-fired into the platinum via **186**. For example, the metal protrusion **193** may be used to form a nerve stimulation electrode. This configuration would be ideal, for example, in a retinol stimulation application.

FIG. **19B** is a sectional view taken from section **19B-19B** of FIG. **19A** illustrating a high purity alumina **188** which is co-fired with the pure platinum via fill **186**. A neuro-electrode **193** is shown co-fired into the platinum via **186**. In a preferred embodiment, the neuro-electrode **193** would be of platinum so it has a CTE identical to the platinum via material. The neuro-electrode **193** can also comprise titanium, iridium, niobium, rhodium, and/or palladium.

FIG. **19C** is a top view of a prior art quad polar hermetic feedthrough using traditional leadwires **118** and gold braze techniques. This is within a diameter **121**, which is typically between 0.100 and 0.140 inches.

FIG. **19D** is a top view very similar to FIG. **19C** and is within the same exact diameter **121** as previously described in FIG. **19C**. FIG. **19D** is a dramatic illustration of the very large scale integration that can be accomplished by the solid pure platinum via hole filling of the present invention. In this case, there are 25 via holes in the same space previously occupied by the four vias illustrated in FIG. **19C**.

FIG. **20** illustrates the present invention wherein, two castellation cavities **198a** and **198b** have been formed for convenient insertion of MLCCs **194a** and **194b**. Internal circuit trace connections **196a** are provided at **194a** which connect to the ground metallization adjacent the ferrule **122**. On the opposite side of the MLCC **194a**, there is an internal ground circuit trace **196b**. Active circuit traces **196b** and **196c** are connected to the via hole platinum fill **186**. In this way, the two capacitors **194a** and **194b** are electrically connected to the center via hole **186** and at their opposite ends they are also electrically connected to ground through vias with metallization **150** and **152** to gold braze **140** and, in turn, to the ferrule **122**. Importantly, the ferrule **122** is connected to the overall equipotential electromagnetic shield surface **102** of the AIMD. This equipotential surface **102** is herein defined as a ground. It will be obvious to those skilled in the art that one MLCC **194a** may be used or a multiplicity of capacitors and individual castellation holes could be used. In some applications, it would be useful to use staggered values of MLCCs so that they are self-resonant at different frequencies. This allows them to filter over a much broader range of EMI frequencies. One is directed to U.S. Pat. Nos. 5,650,759 and 5,896,627 which show MLCCs adjacent to a hermetic terminal subassembly for human implant. The contents of these two patents are incorporated herein by reference. One is also directed to U.S. Pat. Nos. 5,959,829 and 5,973,906 which show the advantage of staggering chip capacitors and using specially formed chip capacitors. The contents of these two patents are also incorporated herein by reference.

Referring to FIGS. **20** and **21**, it will be obvious to those skilled in the art that the MLCCs have terminations on each end, which connect to internal electrode plates of opposite polarity. One set of ground electrode plates will be electrically connected to circuit trace **196a** (electrical connection material not shown). The other end of the MLCC **194a** will be connected to circuit trace **196b**. A similar construction applies to the second MLCC **194b**. Its ground electrodes are connected to ground terminal **196d** and its active electrodes

are connected to circuit trace **196c**. One can see that very short length circuit paths **196** are obtained wherein the MLCCs **194** act as variable frequency diverters. That is, at high frequencies, such as undesirable EMI frequencies, the capacitors will present a low impedance and thereby divert unwanted or even dangerous EMI coupled to the implanted lead(s). This EMI RF energy will be diverted through capacitors **194a** and **194b** to the ferrule **122** and then harmlessly to the overall electromagnetic shield **102**. As a side note, it would not work very well to place these two MLCCs at some distance down on a circuit board inside of the AIMD housing **102**. The problem with this is that EMI is drawn inside the AIMD housing where it can cross-couple and re-radiate and cause numerous problems.

FIG. **22** is a cross-sectional view very similar to the quad polar hermetic terminal subassembly **116** and feedthrough capacitor **124** previously illustrated in FIGS. **7** and **8**. One is directed to U.S. Pat. No. 8,179,658, which is incorporated herein by this reference, which shows a capacitor via within internal metallization electrically connected to a solid feedthrough leadwire. In the present invention, feedthrough capacitor **124** has been mounted directly to the surface of the co-fired high purity alumina (Al_2O_3) hermetic terminal subassembly **189** with one or more pure platinum filled vias **186**. The feedthrough capacitor **124** is first placed on the bottom surface of the co-fired high purity alumina (Al_2O_3) hermetic terminal subassembly **189** with one or more pure platinum filled vias **186**. In a preferred embodiment, an adhesively backed insulator washer **206** is used to affix the feedthrough capacitor **124** onto the surface of the alumina substrate **188**. The washer **206** has four stamped holes which align with the platinum filled vias **186a** through **186d** and corresponding feedthrough holes of the feedthrough capacitor **124**. There are two different methods of electrical attachment to the feedthrough capacitor illustrated. In the left hand hole, we have a solid fill of a solder, braze or thermal-setting conductive material **204**. A simplified electrical attachment is shown on the right side wherein, a solder bump or ball grid array (BGA) **202** is first dispensed and then the capacitor is aligned and placed over it. Then, temperature is applied to reflow the solder into place as shown. The solder makes electrical contact with the platinum filled via hole **186** and also with the capacitor terminations **130**. The way this core subassembly **189** makes connection with implanted lead conductor or the leadwires **118** in a header block connector assembly or internal circuit connections will be shown in subsequent drawings. In accordance with good EMC principles, the feedthrough capacitor **124** is disposed immediately at the point of EMI ingress into the inside of the device housing **102**. In this way, high frequency EMI can be decoupled and diverted to the device housing **102** without adversely effecting AIMD sensitive electronic circuits. Feedthrough capacitor **124** active electrode plate sets **134a** and **134b** are both connected to the capacitor inside diameter metallization **130**. The capacitor ground electrode plate sets **136** make contact with the capacitor outside diameter or perimeter metallization **132**. An electrical connection **148** is made from the capacitor outside diameter ground metallization **132** and the gold braze **140** of ferrule **122**. This makes a low impedance oxide free electrical connection which is superior for high frequency performance.

In comparison to the prior art leadwires **118** previously illustrated in FIGS. **7** and **8**, the structure illustrated in FIG. **22** is ideal for robotic assembly. The problem has been one of the "forest of the trees." When one has a hermetic seal with say, eight to a dozen long platinum leadwires running through it, it becomes impossible with a production robot, to

insert a feedthrough capacitor down over all of those wires at once. This takes a human hand a considerable amount of time to thread each one of those leadwires through and finally then snug the capacitor up against the hermetic terminal subassembly **189**. It will be apparent to one skilled in the art that the co-fired high purity alumina (Al_2O_3) hermetic terminal subassembly **189** with one or more pure platinum filled vias **186** can be inverted and put into a robotic fixture holder. Then, BGA (ball grid array) bumps **202** can be formed and even the insulative epoxy surface can be robotically formed or dispensed **206**. The capacitor may be picked up by a pick and place robot with a vacuum head and perfectly aligned in place and then the entire assembly is heated to the point where the solder connections are made. This requires almost no human labor to accomplish compared to the highly intensive human labor of prior art assemblies. For example, referring back to FIG. **8** in the prior art, it is labor intensive to dispense sufficient quantities of electrical connection material **146** and **146'**. First the capacitor has to be seated in place against the hermetic terminal subassembly. This is done against a sealing washer **206**. It is very important that this be done under temperature and pressure such as there are no gaps or voids. Then, one can invert the assembly and using micro syringes, inject the thermal-setting conductive material **146** and **146'** as best they can between the lead and the hole in the feedthrough capacitor. In order to get this material to drop into place, one must put the entire assembly into a centrifuge for a few minutes. Centrifuging drives the silver-filled thermally conductive adhesive down into place (partially fills the hole around the leadwire **118**). This material is then pre-cured and then an abrasive microblast procedure is used to remove excess material that has gotten on top. This process is usually repeated from three to five times iteratively until the fill is void free and meets product requirements. Each time one fills one must do a pre-cure of the thermal-setting conductive adhesive and then an abrasive microblast followed by a multiple cleaning steps to remove any residual grit blast media, all of which involves a tremendous amount of labor and production yield issues. In contrast, the present invention of FIG. **22** is accomplished in seconds with no need for centrifuging or excessive cleaning steps (or even any cleaning steps).

FIG. **22A** is similar to FIG. **22** except that the ferrule **122** has been completely eliminated. The ferrule **122** tends to be very expensive because it is machined from pure titanium. Accordingly, elimination of the ferrule **122** substantially reduces expense. In FIG. **22A**, there is a direct gold braze **140** between the AIMD housing **102** and the metallization layers **150** and **152** that are sputtered or plated on the co-fired high purity alumina (Al_2O_3) hermetic terminal subassembly **189** with one or more pure platinum filled vias **186**. In this case, the AIMD housing **102** has been stamped to form an L-bend **236**. This L-bend **236** provides strength and stiffness in the area of the penetration through the housing **102** for mounting of the co-fired high purity alumina (Al_2O_3) hermetic terminal subassembly with one or more pure platinum filled vias **186**. It will be obvious to those skilled in the art that shapes other than the L-bend **236** could also be stamped to add strength.

FIG. **23** is a very similar structure to FIG. **22** in that it is a quad polar feedthrough capacitor similar in function to what was previously described in FIGS. **7** and **8**. In this case, the outside diameter or perimeter metallization **132** of the feedthrough capacitor has been completely eliminated. This also eliminates the need to form an electrical connection **148** around the perimeter or diameter of the feedthrough capaci-

tor to the ferrule **122** and in turn, to case ground **102**. The reason for this is that ground electrode plates **200** have been formed in the co-fired high purity alumina (Al_2O_3) hermetic terminal subassembly **189** with one or more pure platinum filled vias **186b, c** of the present invention. One can see that the center via hole **208**, which is filled with pure platinum, is also electrically connected to a plurality of ground electrodes **200**. These electrodes become grounded by means of being electrically connected to the adhesion and wetting layers **150** and **152**. It is to these layers that the gold braze **140** makes an electrical and a hermetic connection between the ferrule **122** and the wetting layer **152**. It is through this electrical connection that the ground electrode plates **200** inside of the co-fired high purity alumina (Al_2O_3) hermetic terminal subassembly **189** with one or more pure platinum filled vias **186** are formed. An internally grounded feedthrough capacitor **124'** is co-bonded to the co-fired high purity alumina (Al_2O_3) hermetic terminal subassembly **189** with one or more pure platinum filled vias structure **186**. Internally grounded hermetic insulators, such as insulator co-fired high purity alumina (Al_2O_3) hermetic terminal subassembly **189** with one or more pure platinum filled vias **186** shown in FIG. **23**, are further described in U.S. Pat. No. 7,035,076, the contents of which are incorporated herein by reference. Internally grounded feedthrough capacitors **124'** are described in U.S. Pat. Nos. 5,905,627, 6,529,103, 6,765,779 and 6,765,780, the contents all of which are incorporated herein by reference. The solid filled vias **186** of the co-fired high purity alumina (Al_2O_3) hermetic terminal subassembly **189** enable the BGA **202** dispensing and rapid or robotic assembly of the internally grounded feedthrough capacitor **124'** to the overall hermetic terminal subassembly **189**.

FIG. **23A** is similar to FIG. **23** except that the ferrule **122** has been eliminated. This is similar to the elimination of the ferrule **122** previously described in FIG. **22A** except that in this case, the sides of the AIMD housing **102** do not have the L-shape previously described in FIG. **22A**. Again, it will be obvious to those skilled in the art that when the ferrule **122** is eliminated, a direct braze **140** to the AIMD housing **102** can be accomplished by pre-forming the housing into a number of different shapes or even planar as illustrated in FIG. **23A**.

FIG. **24** illustrates the internal ground plate of the co-fired high purity alumina (Al_2O_3) hermetic terminal subassembly **189** with one or more pure platinum filled vias **186** taken from section **24-24** of FIG. **23**. Again, this is a quad polar structure in that there are four active leadwires **186** that are in contact with distal electrodes and biological cells. These four leadwires include **186a, 186b, 186c** and **186d**. The central ground **208** does not have to come all the way to the body fluid surface. It could be in a blind hole (not shown). Referring to FIG. **24**, the ground plate material **200** is preferably made of pure platinum or equivalent circuit trace material. The ground plate material may also comprise tungsten, iridium, rhodium and/or palladium.

FIG. **25** is taken from section **25-25** of FIG. **23**. Obviously, the isometric view of the device no longer conforms with FIG. **7** or **8** as it is no longer quad polar. Referring back to FIG. **25**, ten active poles or lead conductor circuits **186a** through **186j** are illustrated. In this case, there are four grounded vias **208a** through **208d**. These grounded vias are symmetrically located and placed adjacent the active traces **186a** through **186j**. For example, referring to ground via **208a**, it is exactly centered between active vias **186a, 186b, 186f** and **186g**. This is very important so that a low inductance and low impedance exists across the entire ground

plane **200**. As an extreme example, let's imagine for a minute that there was only one ground via in FIG. **25** and that was ground via **208a**. In other words, imagine removing the ground vias **208b**, **208c** and **208d**. This means that good EMI filtering would occur for vias **186a**, **186b**, **186f** and **186g** as they are not very distant from the ground via **208a**. However, a far different situation would occur for vias **186e** and **186j**. These would now be a long distance from the nearest ground via **208a** and substantial inductance and resistance would result across the ground plane **200**. Therefore, there would not be nearly as effective EMI attenuation on these distant active electrode vias **186e** and **186j**. The use of solid platinum filled vias is conducive for very large scale integration. Literally, hundreds, if not thousands of through vias can be placed in a small footprint, which makes this an excellent application for neuro stimulation, retinal stimulation, and the like.

FIG. **26** is similar to FIG. **25**, but in this case, it shows a number of advantages of the present invention that are not immediately obvious. First of all, there are a multiplicity of ground vias **208** which assure that each one of the active vias **186** is a short distance in the ground plane **200** from a grounded via **208**. Also shown is that if one has a particularly sensitive circuit, such as a cardiac pacemaker sense circuit, one could place extra grounded vias **208** in close proximity to the active vias to further improve EMI filter attenuation. For example, vias **186** might connect to pacemaker sense circuits and these are placed in very close proximity to ground vias **208** on both sides. Vias also do not have to be the same diameter. Vias **186'** are active circuit traces, but are shown larger than vias **186**. This might be necessary when large therapeutic pacing pulses are required, or in particular, for delivery of high currents during a high voltage shock from an implantable cardioverter defibrillator. FIG. **26** is only an example of one type of very large scale integration. With the solid platinum-filled via technology of the present invention, it is possible to have hundreds if not thousands of vias in a very small footprint. This makes the present invention ideal for neurostimulators, retinal stimulators and the like.

FIG. **27** is similar to FIG. **2** in that it shows a prior art AIMD with a header block connector assembly **104**. In this case, the device **100C** is a cardiac pacemaker and the header block connector assembly ports **106**, **106'** are IS-1 or DF-1 ISO Standard connector cavities. These are designed to receive the proximal plug of implanted leads **108**, as previously illustrated in FIG. **3**. Leadwires **118a**, **118b**, **118c** and **118d** within the header block connector assembly that are routed to the hermetic terminal subassembly **116**, which has a ferrule **122** that has been laser welded into the housing **102** of the AIMD. In general, the header block connector assembly material **104** is not metallic. Most prior art header block connector assemblies are some sort of polymer material, such as Techothane, or the like. A prior art feedthrough capacitor **124**, which was previously illustrated in FIG. **3**, is also shown. The routing of the leadwires **118a**, **118b**, **118c** and **118d** in the header block connector assembly is a difficult operation. In most cases, jigs and fixtures are used to hold all the components of the connector assemblies **106** and **106'** in place while laser welding and attaching at the appropriate electrical contact points of the leadwires **118** takes place. In prior art EMI hermetic terminal subassemblies **116**, these leadwires are typically quite long and of a biocompatible material, such as platinum iridium. In this configuration, it is required to preassemble all of the components, including the leadwires and then cast the Techothane in place. This is a difficult process because the

Techothane must be cosmetically pleasing and completely free from any voids or air bubbles. Accordingly, an improved method of header block connector assembly construction and attachment is needed.

FIG. **28** illustrates a novel header block connector assembly **225** of the present invention, which incorporates a side window **210**. This construction allows the connector components **106** and **106'** and their associated leadwires **118** to all be preassembled and then pre-molded in a separate operation. This allows the header block connector assembly **225** to be completely preassembled and pre-inspected and then later attached to the pacemaker housing **102**. The leadwires **118** are routed and designed to hang down into the window space **210** where they can be attached later by laser welding, or the like, to contact pads **212** which are on the co-fired high purity alumina (Al_2O_3) hermetic terminal subassembly with one or more pure platinum filled vias **186** of the present invention. One will also see that there is a novel ball grid array attached feedthrough capacitor **124**. The ball grid array attachments are shown as **202**.

Referring once again to FIG. **28**, illustrated are internal leadwires **118'** which are routed from the novel feedthrough capacitor **124** to circuit board **126**. The feedthrough capacitor **124** is novel due to a unique method of inexpensive leadwire attach during the ball grid array **202** attachment. Referring once again to FIG. **28**, it will be appreciated that one is looking at the side view of two IS-1/DF-1 style connector ports **106**, **106'**. There are actually four connectors in the device **100C**, but in the side view, one can only see the two **106** and **106'**. This makes for a total of eight leadwires **118**. Again, for simplicity, only four leadwires **118** are shown in the FIG. **28** side view, but one skilled in the art recognizes any number of leadwires may be used with the present invention.

FIG. **29** is an exploded view of the novel co-fired high purity alumina (Al_2O_3) hermetic terminal subassembly **189** with one or more pure platinum filled vias **186**. First of all, FIG. **29** shows a very novel way to attach a wire bond pad **212** to the novel pure platinum filled via holes **186** of the present invention. Wire bond pad **212e** is shown exploded away from the co-fired high purity alumina (Al_2O_3) hermetic terminal subassembly **189** with one or more pure platinum filled vias **186**. It is L-shaped to facilitate wire bonding in the novel window **210** of the header block connector assembly **225** as previously illustrated in FIG. **28**. Attachment of these L-shaped wire bond pads **212** is done by an electrical attachment material **226**. Since this is on the body fluid side of the invention, it is important that this electrical attachment material be non-toxic and biocompatible. This can be a laser weld, a gold braze, a thermal-setting conductive adhesive, or the like. Long term biocompatible thermal-setting conductive adhesive would usually be loaded with a pure platinum, gold, or silver flake material.

Referring once again to FIG. **29**, one can see that the side mounted wire bond pad **212** is suitable for attachment of a variety of types, shapes and sizes of leadwires which would be extending down into the header block connector assembly window **210**. For example, leadwire **216**, **118** could be oval, leadwire **218**, **118** could be a flat ribbon wire, leadwire **220**, **118** could be a braided or stranded wire, leadwire **222**, **118** could be a coiled wire and of course, leadwire **224**, **118** could be a simple round wire. Internal AIMD leadwires **118'** are shown as they exit the feedthrough capacitor **124** and are directed to AIMD internal circuits, for example, to AIMD circuit board **126** previously illustrated in FIG. **28**. The various leadwires **216** through **224** are attached to the wire bond pads **212** using an electrical attachment material **214**.

In a preferred embodiment, the electrical attachment would be done by laser welding. Referring once again to FIG. 28, the window 210 is left open for easy access by laser welders or resistance wire bonders, or the like. The header block connector assembly 225 window 210 is left open until the leadwires are attached to the associated wire bond pads 212. In a preferred embodiment, a silicone or similar adhesive would be back-filled into the hole to prevent the ingress of body fluids and the like.

FIG. 29a illustrates a paddle lead 225 electrically attached 214 to header block connector assembly 212 as previously illustrated in FIG. 29.

FIG. 29b illustrates the rectangular or ribbon lead 218 electrical connection 214 to header block connector assembly 212 as previously illustrated as lead 218 in FIG. 29.

FIG. 30 is taken generally from section 30-30 from FIG. 29 and shows the co-fired high purity alumina (Al_2O_3) hermetic terminal subassembly 189 with one or more pure platinum filled vias 186 of the present invention in sectional view along with the BGA 202 mounted feedthrough capacitor 124. The L-shape bonding pads 212 and their electrical attachment to the platinum filled via 186 has already been described as electrical attachment 226. FIG. 30 illustrates novel leadwires 118' which are internal to the AIMD. On the right hand side, the leadwire is shown not yet inserted into the hole of the feedthrough capacitor 124. A major advantage of this leadwire 118' is that it does not need to be non-toxic or biocompatible. The reason for this is that internal leadwires and circuits are inside the hermetically sealed housing 102 of the AIMD 100. In a preferred embodiment, leadwire 118' would be either bare or insulated 230 copper leadwire. As shown in FIG. 30, a portion of the insulation 230 has been removed. Again, in a preferred embodiment, the exposed tip 228 of the leadwire would either be tinned or solder dipped. This is better understood by referring to FIG. 31, which is a blow up view taken from section 31-31 of FIG. 30. Shown is leadwire 118' and insulation 230. It also shows the bare and solder-coated surface 228. When the entire assembly is heated such that the BGA solder 202 is reflowed, the BGA solder 202' flows not only to the platinum filled via 186, but also reflows with the solder coating on wire 228 thereby completing an electrical circuit. This has a major advantage over all of the prior art, in that, the expensive platinum iridium or equivalent leadwire has been completely eliminated and replaced by a very inexpensive leadwire 118'.

FIG. 32 is similar to FIG. 30 except that, in this case, the L-shape wire bond pads 212a' and 212h' no longer have a hole in the top. In other words, there is no place for electrical connection material 226. Instead, there is a gold braze or equivalent 232a which is captured underneath the bond pad 212 and is disposed adjacent the platinum filled via 186 of the co-fired high purity alumina (Al_2O_3) hermetic terminal subassembly.

FIG. 33 is similar to FIGS. 30 and 32 except that a radius 234 has been added to the corner of the co-fired high purity alumina (Al_2O_3) hermetic terminal subassembly with one or more pure platinum filled vias 186. This radius corner is important to eliminate stress risers which could lead to fracturing in the corner during laser weld attachment 214 of leadwires 224, 118'.

FIG. 34 is similar to FIG. 32 and simply illustrates that in any of the embodiments described herein, leadwires 118' are part of a solder reflow process wherein, an attachment is made from the platinum filled vias 186, to the active electrode plates of the capacitor 124 and in turn, to leadwire 118'. In other words, the BGA solder joint 202 accomplishes

three very important functions. During high temperature reflow of the BGA solder 202, a connection is made between the platinum filled via 186, the inside diameter terminations of the capacitor 130, and to the conductive portion of the leadwire 228.

FIG. 35 is similar to FIG. 30. There is a difference in the L-shaped wire bond cap 212. In this case, there is a hole in the wire bond cap through which a pin 242 is either laser welded, brazed or the like 238 to the L-shaped wire bond cap 212. This pin ideally would be of platinum or similar compatible metal. This assembly is co-fired along with the pure platinum via fill 186 so that a solid mechanical and electrical connection is made between the pin 240 and the platinum via material 186. There is also a difference in the way that the interior leadwires 118' are attached to the feedthrough capacitor 124. This is a special feedthrough capacitor that is rectangular in shape. The rectangular shape is better understood by looking at the cross-sectional views shown in FIGS. 36 and 37. FIG. 36 is taken generally along section 36-36 of FIG. 35. FIG. 37 is generally taken from section 37-37 of FIG. 35. The view in FIG. 35, therefore, is the end view of a rectangular structure. The active electrodes 134 are brought out to the sides of the capacitor, which is better illustrated in FIG. 36. This allows wire bond pads 246 to be attached to the capacitor. Attachment is done by thermal-setting conductive adhesives, gold braze, high temperature solders, or the like 248. The capacitor ground plate set 136 is terminated at its ends. This is important so that the ground plates 136 do not short to the active electrode plates 134. This makes subsequent attachment of interior leadwires 118' very easy. Internal leadwires 118' can be attached to the wire bond pads 246 by thermal sonic bonding, resistance bonding, resistance welding, soldering, thermal-setting conductive adhesives, brazes, or the like, 244.

FIG. 38 illustrates a round quad polar co-fired high purity alumina (Al_2O_3) hermetic terminal subassembly with one or more pure platinum filled vias 186 of the present invention. Shown are novel L-shaped wire bond pads 250a through 250d, which can be co-fired with the pure platinum via hole fill 186. Since these wire bond pads 250 are on the body fluid side, it is important that they be non-toxic and biocompatible. Ideally, they would be of platinum or similar metal that was readily co-fired and matched to the CTE of the solid platinum via fill 186.

FIGS. 39 through 42 illustrate alternative shapes for the wire bond pads 250A through 250D previously illustrated in FIG. 38. Each wire bond pad has one or more respective downwardly extending extrusions 250A' to 250D' in order to penetrate the via hole platinum paste 186 so that when co-firing, a solid mechanical and electrical connection is made.

FIG. 43 illustrates the co-fired high purity alumina (Al_2O_3) hermetic terminal subassembly 189 with one or more pure platinum filled vias 186 of the present invention wherein, the alumina ceramic 188 protrudes towards the body fluid side well above the ferrule 122. There are castellations 254 formed into the side of the alumina ceramic 188 to conveniently hold and register wire bond pads 252. The wire bond pad 252 can have a pin or extrusion 250A' to 250D' as shown in FIGS. 39 to 42 coming out the bottom wherein, the extrusion would be co-fired with the via platinum fill 186. In the embodiment illustrated in FIG. 43, the wire bond pad 252 would be gold brazed with a gold braze pre-form (not shown) to make a solid mechanical and electrical contact between the bottom of the wire bond pad 252 and the via hole 186.

FIG. 44 is nearly identical to FIG. 43 except that the castellations 254 have been made larger (into a square shape) and the corresponding wire bond pad 252 has also been made square. This structure would be much more robust during compressing welding operations during attachment of leadwires 118 where substantial force is pressed against the wire bond pad. Referring once again to FIG. 44, one can see that the wire bond pads 252 have a co-machined or co-formed post 256. This post would slip down into the via hole paste 186 and be co-fired. An ideal material for CTE match would, therefore, be a platinum post; however, gold, titanium, tantalum, palladium can all be used.

FIG. 45 is similar to FIGS. 43 and 44 except that the L-shaped wire bond pad 258 has a threaded hole 260. There is a hole 264 to receive leadwires 118 coming from the header block connector assembly. A set screw 262, which may have an Allen head or the like, is used to firmly secure the leadwire 118 into the wire bond pad hole 264. The wire bond pad 258 is attached to the via holes 186 by means of electrical connection material 226, which has been previously described.

FIG. 46 illustrates a different type of header block connector assembly 268 which has an insertable contact spring 270. This allows the co-fired high purity alumina (Al_2O_3) hermetic terminal subassembly 189 with one or more pure platinum filled vias 186 of the present invention to be formed and then the header block connector assemblies to be attached by simple mechanical force insertion. This is best understood by referring to FIGS. 47 and 48, which are sectional views taken from FIG. 46. One can see that the insertable contact spring 270 has been inserted about half way down into the via hole. The bottom of the via hole is co-fired pure platinum in accordance with the present invention and forms a hermetic terminal subassembly 189 (FIG. 49).

FIG. 48 is a sectional view 48-48 taken from FIG. 47 and illustrates the insertable contact spring 270 inserted into the bore hole. Importantly, the bore hole is first metalized with an adhesion layer 272 and a wetting layer 274. These layers could be actually merged into a single layer in the case where gold or platinum was sputtered on. Or, an adhesion layer of titanium could be used with a niobium or molybdenum layer 274 sputtered on top. In a preferred embodiment, the insertable contact spring 270 would be of Nitinol alloy. At relatively cold temperature, the insertable Nitinol spring 270 would shrink down and contract. This memory shaped alloy would be designed in this application to expand rapidly at room temperature and, therefore, mechanically fit very securely into the via hole. This would, of course, be true both at room temperature 25° C. and at body temperature 37° C. As it turns out, the entire assembly is easily reworkable. All one would have to do is chill it down, say to around freezing temperature, and then literally all the Nitinol leadwires would contract and insertable leadwires 270 could easily be pulled out. Leadwire 118 coming from the header block connector assembly (not shown) could either be laser welded to the end of a connector block or, as is shown in FIG. 46, could be slipped into a hole 264. There is a convenient side hole 266 wherein a laser weld could be performed to make a secure electrical and mechanical attachment between the leadwire 118 and the header block connector assembly 268.

FIG. 49 is the same as a combination of the co-fired high purity alumina (Al_2O_3) hermetic terminal subassembly 189 with one or more pure platinum filled vias 186 previously described in FIG. 30 and FIG. 46. In this case, the wire

connector blocks 268 have a hole 264, as previously described in FIG. 46, for convenient reception of leadwire 118 from the header block connector assembly (not shown). The header block connector assembly 268 has a hole 276 which is designed to be aligned directly over the platinum filled via holes 186. An electrical connection 226 is then made either by gold brazing, thermal-setting conductive adhesives, or the like. A laser weld access hole 266 is used to laser weld the pin 118 to the inside of the header block connector assembly 268 hole 264.

FIGS. 50 through 56 show alternative embodiments of the header block connector assemblies such as those previously illustrated in FIGS. 46 and 49. FIGS. 50 and 50A illustrate stampings, which are ideally of platinum or some other similar biocompatible material. They have a hole for convenient reception of leadwire 118 which may then be permanently attached by laser welding.

FIG. 51 is a sectional view 51-51 taken from FIG. 50A showing the stamping and cross-section.

FIG. 52 is a sectional view showing the stamping of FIGS. 50, 50A and 51 co-fired into the novel platinum filled via 186 of the present invention.

FIGS. 53 and 53A illustrate another embodiment of stamping 268b now with fingers 265 that capture the leadwire 118.

FIG. 54 is an alternative embodiment for the header block connector assembly 268c, which in this case, has a leadwire 278. The leadwire may be attached to the bracket 268c by laser welding or the entire assembly could be co-machined or even formed by metal injection processes. In this case, the leadwire is a platinum or suitable biocompatible material that has a CTE that will match that of the platinum filled via 186. In this case, the leadwire 278 is co-fired with the platinum filled via material 186 to form a solid electrical and mechanical joint.

FIG. 55 is similar to FIG. 54 except that the header block connector assembly 268d has a convenient hole 264 for insertion of the leadwire 118 (not shown) where it can be laser welded.

FIG. 56 is similar to FIG. 54 except that the header block connector assembly 268e shows where the leadwire 278 has been gold brazed 280 to the via hole pure platinum material 186.

FIG. 57 illustrates a co-fired high purity alumina (Al_2O_3) hermetic terminal subassembly 189 with one or more pure platinum filled vias 186 with brazed wire bond pads 252. There are internal circuit traces 282 which are exposed on edge where each of the header block connector assemblies 252 are to be attached. There is a metallization added 284 such as a gold or a platinum sputtering over a titanium bonding layer. When the metallization 284 is on the device side (not shown), those skilled in the art could use a variety of materials beyond gold and platinum. There is a gold pre-form 286 that is disposed between the header block connector assembly 252 and the metallization 284.

FIG. 58 is a sectional view taken from section 58-58 of FIG. 57 illustrating the gold braze pre-form 286 after it has been melted at high temperature to make a solid electrical and mechanical connection between the header block connector assembly 252 and the metallization 284. The metallization 284 desirably connects the circuit traces 282 in parallel. In another embodiment (not shown) it is possible to use a dispensable gold paste in lieu of the gold braze pre-form to act as a sort of "mortar" to bind components.

FIG. 59 is taken from section 59-59 of FIG. 57 and illustrates an alternative form of the header block connector assembly 252. In this case, the header block connector

assembly has been hollowed out, that is, a void or opening was made in the header block connector assembly to hold a gold braze pre-form **286** for attachment, at high temperature, to metallization **284**.

FIG. **60** illustrates a co-fired high purity alumina (Al_2O_3) hermetic terminal subassembly **189** with one or more pure platinum filled vias **186** of the present invention wherein, leadwires **118** have been co-fired into the platinum filled vias **186**. In other words, the leadwire **118** is co-fired with the alumina **188** and with the platinum filled via **186**, all in one single operation. Leadwires **118** would be routed and connected to implantable lead conductors or header block connector assemblies, as is well known in the prior art. As an alternative to a platinum leadwire **118**, the leadwire **118** may comprise iridium, rhodium, niobium if a reducing atmosphere is used or palladium in air if the sintering temperature is low enough.

FIG. **61** illustrates an alternative embodiment for the co-fired high purity alumina (Al_2O_3) hermetic terminal subassembly **189** with one or more pure platinum filled vias **186** of the present invention. In this case, there are internal circuit traces **282**. The alumina ceramic body then is laid down in tape layers **188** where the upper layers are metalized to form the circuit traces **282** which contact header block connector assemblies **252**, as previously described in FIG. **57**. In this case, the platinum filled via holes **186** are blind holes, in that the platinum does not penetrate all the way through to the top. These blind holes are important in this case, since the high purity alumina ceramic **188** now completely surrounds the via holes **186**. Electrical continuity is provided from the platinum filled via hole **186** to circuit traces **282**, which are in turn connected to wire bond pad **252** and to leadwires **118**. It will be understood by those skilled in the art that leadwires **118** may be directly routed to implanted lead conductors, to distal electrodes or to header block connector assemblies which facilitate insertion of an implantable lead.

FIG. **62** is similar to FIG. **59** except that the via holes **186** and **186'** have been staggered. They have a section of circuit trace **287** between the stagger. This is a way of increasing the reliability and the hermeticity of the overall terminal subassembly.

FIG. **63** is similar to FIG. **62** in that there are staggered vias **186** and **186'** that are filled with pure platinum. In this case, platinum leadwires **118** have been co-fired into the upper vias **186'**. As previously stated, these leadwires **118** could be routed to implanted leads, to implanted distal electrodes or header block connector assemblies of AIMDs.

FIG. **64** illustrates the co-firing of a novel crimp post **288** into the platinum filled via **186**. Ideally, the crimp post would be of platinum or similar biocompatible material, which would have a CTE which closely matches that of platinum. A leadwire **118** (not shown) would be inserted into the crimp post and then a mechanical crimping tool would be used to form a mechanical and electrical connection between the walls of the crimp post and the lead **118**. An optional or supplementary laser weld could also be performed at the point where the leadwire **118** is inserted into the top of the crimp post **288**.

FIG. **65** is similar to FIG. **64**, but illustrates a double crimp post. On the body fluid side, lead **118** is crimped into the crimp post **290** as shown. On the device inside, a wire **118'** can be inserted and crimped into the opposite side **291** of the crimp post **290** to make connection to internal AIMD circuits. As described before, leadwire **118'** could be an inexpensive copper insulated leadwire or, as in this case, a bare leadwire.

FIG. **66** illustrates a novel method of header block connector assembly attachment. The header block connector assembly **104** has been completely prefabricated in accordance with the present invention and has leadwires **118** extending down into a novel window **210** of the present invention. Co-molded or co-formed with the header block connector assembly **104** is a support structure **302**. The header block connector assembly **104** is shown tilted 90° . There is a co-fired high purity alumina (Al_2O_3) hermetic terminal subassembly **189** with one or more pure platinum filled vias **186** of the present invention with novel wire bond post **294**. These wire bond posts **294** each have a leadwire protrusion which are inserted into the via holes and are co-fired with the pure platinum **186**. The support structure **302** is designed to slip between the two rows of bonding posts **294** and provide back support for them. That is, when one pushes against leadwire **118** very firmly with a resistance welder, this will prevent a platinum or equivalent post (which are very ductile) from deforming.

FIG. **67** illustrates a different type of post **296** which could be used in FIG. **66**. Post **296** has a novel slot **298** which can receive leadwire **118** where a laser weld **300** or the like can be performed.

FIG. **68** illustrates a layered co-fired high purity alumina (Al_2O_3) hermetic terminal subassembly with one or more filled vias **304** designed for greater connection density in a neurostimulator or other type of AIMD. This type of high density stacking arrangement is particularly useful in conjunction with the window **210** previously described in novel header block connector assembly in FIG. **28**.

FIG. **69** is a cross-sectional view taken generally from section **69-69** of FIG. **68**. FIG. **69** illustrates vias **304** along with circuit traces **282** that make contact to the header block connector assemblies **252**. It will be appreciated that there is a metallization and gold braze (not shown) that connects the header block connector assemblies **252** to the circuit traces **282**. The body of the co-fired high purity alumina (Al_2O_3) hermetic terminal subassembly with one or more filled vias **304**, as illustrated in FIG. **69**, is of high purity alumina **188**. The via hole **304** may be filled with pure platinum or a less expensive material, such as tungsten or the like. In this case, the via holes are never exposed to body fluid therefore, less expensive materials can be used. It is important that the circuit traces **282** be of platinum or similar biocompatible material since there is some exposure on the body fluid side where the wire bond pads **252** appear. Not shown is a ferrule **122** or means of installing this assembly into a prior art AIMD housing **102**. Any of the ferrule or connection structures in any of the previous drawings can, of course, be adapted to the structure illustrated in FIGS. **68** and **69**.

FIGS. **70** and **71** are similar to FIG. **68** except that they show alternative stacking methodologies.

FIG. **72** is similar to FIG. **28** except that the hermetic terminal subassembly of the present invention has a side attachment wire bond pad **192** where leadwires **118** are routed from header block connector assemblies **106** and **106'**. These leadwires **118** are attached by laser welding, or the like, to the side of the hermetic terminal subassembly extension **214**.

FIG. **73** illustrates a co-fired high purity alumina (Al_2O_3) hermetic terminal subassembly **189** with one or more pure platinum filled vias **186** of the present invention with a novel crimp post **288** similar to that previously illustrated in FIGS. **64** and **65**. In this case, the crimp post **288** is designed to receive an external leadwire **118** on the body fluid side. On the opposite side is the nail head structure **306**, which in this case is radiused. In this case, the crimp post assembly **288**

is ideally of platinum or similar material and is co-fired into the platinum filled via 186 in accordance with the present invention. A feedthrough capacitor 124 is attached using a solder BGA structure 202. It will be obvious to those skilled in the art that any of the BGA attachments as illustrated herein could also be solder dots, solder bumps or dots of thermal-setting conductive adhesives or epoxies, or the like. In a preferred embodiment, material 202 could be of thermal-setting conductive polyimide.

FIGS. 74 through 78 show alternative embodiments of the crimp posts 288 previously illustrated in FIG. 72. FIG. 74 illustrates the end view of the nail head 306 as previously illustrated in FIG. 73. FIGS. 75 through 78 illustrate alternative embodiments of the nail head structure 288 having respective nail head ends 306a through 306d.

FIG. 79 illustrates a novel header block connector assembly 104 with leadwires 118 routed to connector ports (not shown). Shown are novel springs 308, which push against a contact post 310. Contact posts 310 are designed to be pressed firmly against the novel platinum filled via holes 186 of the present invention. There is also a methodology of firmly attaching the header block connector assembly 104 to the pacemaker housing 102 (not shown).

FIG. 80 shows an alternative type of novel header block connector assembly 104 with leadwires 118 that are designed to be routed to connectors (not shown). In this case, they are laser welded 313 to the platinum filled vias 186. This is better understood by referring to the enlarged drawing FIG. 81, which is taken from section 81-81 of FIG. 80. This view is taken at 90° to the view shown in FIG. 80. As one can see, the AIMD housing 102 is much narrower. In the header block connector assembly 104, there are novel access holes 312 so a laser can be directed and make an electrical connection between the lead 118 and the platinum filled via 186. In this case, a wire bond pad and gold braze has been previously attached to the platinum post 186 as has been described in previous drawings.

FIG. 82 illustrates the cross-section of a novel header block connector assembly port 104, which is attached to an AIMD housing 102. Shown is a bipolar connector similar to IS-1 or DF-1 106. Previous FIG. 3 illustrates a typical prior art header block connector assembly 104 with such ports 106 and 106'. Novel springs 314 in FIG. 82 make electrical contact to the two terminals of the bipolar connector and also make mechanical and electrical contact against the novel platinum filled vias 186 of the present invention.

FIG. 83 is similar to FIG. 82 except that the bipolar connections to the header block connector assembly port 106 are routed to a female push pin header block connector assembly 316. The male connectors 318 are designed to be firmly inserted into place. The material 316 is flexed outward as the male portion 318 is pushed in so that after insertion, it forms a firm mechanical and electrical connection. The male posts are co-fired into the platinum filled vias of the present invention as shown. The male 318 and female 316 connectors must be made from a biocompatible material such as platinum, platinum-iridium, palladium, palladium-iridium alloys, palladium-rhodium alloys or niobium alloys.

Although several embodiments have been described in detail for purposes of illustration, various modifications may be made to each without departing from the scope and spirit of the invention. Accordingly, the invention is not to be limited, except as by the appended claims.

What is claimed is:

1. A hermetically sealed feedthrough that is attachable to an active implantable medical device (AIMD), the feedthrough comprising:

a) an electrically conductive ferrule comprising a ferrule sidewall defining a ferrule opening extending to a ferrule body fluid end surface and to a ferrule device side end surface, wherein, when the ferrule is attached to an opening in a housing of an AIMD, the ferrule body fluid end surface and the ferrule device side end surface reside outside the AIMD and inside the AIMD, respectively;

b) an alumina substrate comprised of at least 96% alumina and having a thickness extending [from] to a substrate body fluid side and to a substrate device side, wherein the alumina substrate resides in the ferrule opening where the alumina substrate is hermetically sealed to the ferrule;

[b) a] c) an active via hole [disposed] extending through the alumina substrate [from] to the substrate body fluid side and to the substrate device side, wherein a counter-bore in the substrate is aligned with the active via hole and has a depth that extends from the substrate body fluid side part-way into the substrate thickness;

[c)] d) a substantially [closed pore and substantially pure] closed-pore platinum [fill disposed within] that is hermetically sealed to the alumina substrate in the active via hole [and], the substantially closed-pore platinum extending [between] to the counter-bore at the substrate body fluid side and to or adjacent to the substrate device side [of the alumina substrate]; and

[d) a hermetic seal between the platinum fill and the alumina substrate,]

e) an electrically conductive bond pad comprising a pad portion and a post, wherein the pad portion at least partially resides in the counter-bore on the substrate body fluid side with the post extending into the substantially closed-pore platinum in the active via hole, and

f) wherein the [platinum fill forms a tortuous and mutually conformal knitline or interface between the alumina substrate and the platinum fill] pad portion of the bond pad has an uninterrupted upper surface of a width that is greater than a diameter of the via hole, and

g) wherein the combined length of the pad portion and the post of the bond pad is less than the substrate thickness.

2. The feedthrough of claim 1, wherein the alumina substrate comprises at least 99% alumina.

3. The feedthrough of claim 1, wherein there is a tortuous and mutually conformal knitline between the alumina substrate and the platinum fill and wherein the knitline comprises a glass that is at least about 60% silica.

4. The feedthrough of claim 1, wherein the hermetic seal has a leak rate at least no greater than 1×10^{-7} std cc He/sec.

5. The feedthrough of claim 1, wherein an inherent shrink rate during a heat treatment of the alumina [dielectric] substrate in a substrate green state is greater than that of the substantially closed-pore platinum [fill] in [the] a platinum green state.

6. The feedthrough of claim 1, wherein the substantially closed-pore platinum [fill] is characterized as having been formed from a platinum paste that prior to [bake out] bake-out and sintering had a platinum metal content of at least 80%.

7. The feedthrough of claim 1, wherein the substantially closed-pore platinum [fill] is characterized as having been formed from a platinum paste that prior to [bake out] bake-out and sintering had a platinum metal content of about 95%.

8. The feedthrough of claim 1, wherein the substantially closed-pore platinum [fill] is characterized as having been

packed into the *active via hole* prior to [bake out] *bake-out* and sintering to occupy at least 90% of the available space in the *active via hole*.

9. The feedthrough of claim 1, wherein the *substantially closed-pore* platinum [fill] is characterized as having been packed into the *active via hole* prior to [bake out] *bake-out* and sintering to occupy about 99% of the available space in the *active via hole*.

10. The feedthrough of claim 1, wherein, *as a result of having been subjected to a bake-out and sintering*, the alumina [dielectric] substrate is characterized as having shrunk from a *substrate green state* by about 20% to about 14% more than the *substantially closed-pore* platinum [fill] shrinks from a *platinum green state* [as a result of having been subjected to bake out and sintering].

11. The feedthrough of claim 1, wherein, *as a result of having been subjected to bake-out and sintering*, the alumina [dielectric] substrate is characterized as having shrunk from a *substrate green state* by about 16% more than the *substantially closed-pore* platinum [fill] shrinks from a *platinum green state* [as a result of having been subjected to bake out and sintering].

12. The feedthrough of claim 1, wherein a difference in a first coefficient of thermal expansion (CTE) of the alumina [dielectric] substrate and a second CTE of the *substantially closed-pore* platinum [fill] is from about $0.5 \times 10^{-6}/K$ to about $1.0 \times 10^{-6}/K$.

13. The feedthrough of claim 1, wherein the [platinum filled] *active via hole* comprises a larger [cross sectional] *cross-sectional* area at [either] *both* a first *active via end* exposed [to] *at the substrate body fluid side* [or] *and at a second active via end* exposed [to] *at the substrate device side* as compared to a smaller [cross sectional] *cross-sectional* area of [the platinum filled] *that portion of the active via hole that resides between the first and second active via ends*.

[14. The feedthrough of claim 1 including an electrically conductive cap or protrusion co-fired to the platinum fill on the body fluid side.]

15. The feedthrough of claim [14] 1, wherein the [cap or protrusion] *bond pad* comprises platinum or titanium.

16. The feedthrough of claim 1, including an adhesion metallization disposed on an [outside] *outer* circumferential surface of the alumina substrate *and a wetting metallization disposed on the adhesion metallization*.

[17. The feedthrough of claim 16 including a wetting metallization disposed on the adhesion metallization.]

18. The feedthrough of claim [17 including a ferrule disposed around the alumina substrate] 16, *wherein a gold braze hermetically seals the ferrule to the adhesion and wetting metallizations disposed on the alumina substrate*.

[19. The feedthrough of claim 18 including a gold braze hermetically sealing the alumina substrate to the ferrule.]

20. The feedthrough of claim [19] 18, wherein the braze between the alumina substrate and the ferrule has a leak rate at least no greater than 1×10^{-7} cc He/sec.

21. The feedthrough of claim [20] 1, wherein the ferrule comprises titanium.

22. The feedthrough of claim 16, wherein the adhesion metallization comprises titanium *and the wetting metallization comprises niobium or molybdenum*.

[23. The feedthrough of claim 17 wherein the wetting metallization comprises niobium or molybdenum.]

24. The feedthrough of claim 1, wherein the alumina [dielectric] substrate comprises a castellation recess disposed on the *substrate device side*, *and wherein a monolithic chip capacitor is disposed within the castellation recess*, the

monolithic chip capacitor comprising an active electrode plate set disposed parallel to a ground electrode plate set, the active electrode plate set being electrically connected to the substantially closed-pore platinum disposed in the active via hole by a first circuit trace disposed within the alumina substrate, and the ground electrode plate set being electrically connected to an outer metallization disposed on the alumina substrate by a second circuit trace disposed within the alumina substrate.

[25. The feedthrough of claim 24 including a monolithic chip capacitor disposed within the castellation recess, the monolithic chip capacitor comprising an active electrode plate set disposed parallel to a ground electrode plate set.]

[26. The feedthrough of claim 25 wherein the active electrode plate set is electrically coupled to the platinum fill by a first circuit trace disposed within the alumina substrate, and wherein the ground electrode plate set is electrically coupled to the adhesion metallization by a second circuit trace disposed within the alumina substrate.]

27. The feedthrough of claim 1, including a feedthrough capacitor attached to the alumina [dielectric] substrate.

28. The feedthrough of claim 27, [including] *wherein* an insulative washer *is* disposed between the alumina substrate and the feedthrough capacitor.

29. The feedthrough of claim 27, wherein the feedthrough capacitor comprises a second dielectric substrate, a conductive capacitor via hole disposed through the second dielectric substrate, a set of active electrode plates disposed within the second dielectric substrate and *being* electrically coupled to the conductive capacitor via hole, an [outside] *outer* feedthrough capacitor metallization disposed on an [outside] *outer surface* of the feedthrough capacitor, and a set of ground electrode plates disposed within the second dielectric substrate and *being* electrically coupled to the outside feedthrough capacitor metallization.

30. The feedthrough of claim 29, wherein the *set of* ground electrode plates and the [outside] *outer* feedthrough capacitor metallization are electrically coupled to a ferrule.

31. The feedthrough of claim 29, including a ball grid solder joint or braze electrically coupling the *set of* active electrode plates to the conductive capacitor via hole and *to the substantially closed-pore* platinum [fill] *in the active via hole extending through the alumina substrate of the feedthrough*.

32. The feedthrough of claim 31, including a *substrate device side wire* disposed within the conductive feedthrough capacitor via hole and *being* electrically coupled to the *substantially closed-pore* platinum [fill] *in the active via hole extending through the alumina substrate of the feedthrough* and *also being electrically coupled to the set of active electrode plates of the feedthrough capacitor* by the ball grid solder joint or braze.

33. The feedthrough of claim 1, including at least one [grounded] *ground via hole* disposed through the alumina substrate [from], *the ground via hole extending to the substrate body fluid side and to the substrate device side*, wherein a [substantially pure grounded] *ground* platinum [fill] is disposed within the at least one [grounded] *ground via hole*, thereby forming a platinum filled [grounded] *ground via hole* that is an electrically conductive [between] *path to the substrate body fluid side and to the substrate device side*.

34. The feedthrough of claim 33, including a set of feedthrough ground plates disposed within the alumina substrate, *the feedthrough ground plate being* electrically coupled to the *ground* platinum [filled grounded] *in the ground via hole and to the ferrule* [and], *wherein the ground*

51

platinum in the ground via hole is in a non-conductive relation [to] with the substantially closed-pore platinum [filled] in the active via hole.

35. The feedthrough of claim 34, including an internally grounded feedthrough capacitor disposed adjacent to the alumina [dielectric] substrate.

36. The feedthrough of claim 35, wherein the internally grounded feedthrough capacitor comprises a second dielectric substrate, at least one conductive capacitor via hole [disposed] extending through the second dielectric substrate, a set of active electrode plates disposed within the second dielectric substrate and being electrically coupled to the at least one conductive capacitor via hole, a conductive [grounded] ground via hole [disposed] extending through the second dielectric substrate, and a set of ground electrode plates disposed within the second dielectric substrate and being electrically coupled to the [conductive grounded] ground platinum disposed within the at least one ground via hole in the second dielectric substrate, and wherein the internally grounded feedthrough capacitor does not have an external metallization on an outer surface of the second dielectric substrate and the set of ground electrode plates do not extend to the outer surface of the second dielectric substrate.

37. The feedthrough of claim 36, including a leadwire comprising a leadwire first end spaced from a leadwire second end, wherein the leadwire first end is connectable [at a first end] to an AIMD electronic circuit, and [at its] wherein the leadwire second end is disposed within [and electrically coupled to] the at least one conductive capacitor via [and] hole extending through the second dielectric substrate of the feedthrough capacitor where the leadwire second end is conductively connected to the set of active electrode plates disposed within the second dielectric substrate.

38. The feedthrough of claim 37, including a ground leadwire [connectable at a] comprising a ground leadwire first end spaced from a ground leadwire second end, wherein the ground leadwire first end is connectable to an AIMD electronic circuit, and [at its] wherein the ground leadwire second end is disposed within [and electrically coupled to] the [feedthrough capacitor] conductive [grounded] ground via [and] hole extending through the second dielectric substrate of the feedthrough capacitor where the ground leadwire second end is conductively connected to the set of ground electrode plates disposed within the second dielectric substrate.

39. The feedthrough of claim 17 including a hermetically sealed braze between the wetting metallization and an active implantable medical device housing.]

40. The feedthrough of claim 33, wherein the at least one [grounded] ground via hole extending through the alumina substrate and the ground platinum [fill] disposed within the at least one ground via hole comprise at least two cross sectional areas.

41. The feedthrough of claim 1 [including], wherein the bond pad comprises a conductive leadwire disposed within the substantially closed-pore platinum [fill on] in the active via hole adjacent to at least the substrate body fluid side.

42. The feedthrough of claim 41, wherein the conductive leadwire comprises platinum.

43. The feedthrough of claim 41, wherein the conductive leadwire and the substantially closed-pore platinum [fill] are characterized as having been co-fired.

44. The feedthrough of claim 1 including a crimp post disposed within the platinum fill on the body fluid side.]

52

45. The feedthrough of claim 1 including a double-sided crimp post disposed through the platinum fill, wherein the double-sided crimp post comprises a first crimp post end on the body fluid side and a second crimp post end on the device side.]

46. The feedthrough of claim 1, wherein a resistance of the substantially closed-pore platinum [fill from] disposed within the active via hole and extending to the substrate body fluid side and to the substrate device side is less than about 0.5 ohms.

47. The feedthrough of claim 1, wherein a resistance of the substantially closed-pore platinum [fill from] disposed within the active via hole and extending to the substrate body fluid side and to the substrate device side is less than about 0.3 ohms.

48. The feedthrough of claim 1, wherein a resistance of the substantially closed-pore platinum [fill from] disposed within the active via hole and extending to the substrate body fluid side and to the substrate device side is less than about 10 milliohms.

49. A hermetically sealed feedthrough that is attachable to an active implantable medical device (AIMD), the feedthrough comprising:

a) an electrically conductive ferrule comprising a ferrule sidewall defining a ferrule opening extending to a ferrule body fluid end surface and to a ferrule device side end surface, wherein, when the ferrule is attached to an opening in a housing of an AIMD, the ferrule body fluid end surface and the ferrule device side end surface reside outside the AIMD and inside the AIMD, respectively;

b) an alumina substrate comprised of at least 96% alumina and having a thickness extending [from] to a substrate body fluid side and to a substrate device side, wherein the alumina substrate resides in the ferrule opening where the alumina substrate is hermetically sealed to the ferrule;

[b] c) a via hole disposed through the alumina substrate [from], the via hole extending to the substrate body fluid side and to the substrate device side, wherein a counter-bore in the substrate is aligned with the via hole and has a depth that extends from the substrate body fluid side part-way into the substrate thickness;

[c] d) a substantially [closed pore and substantially pure] closed-pore platinum [fill disposed within] in the via hole and extending [between] to the counter-bore at the substrate body fluid side and to or adjacent to the substrate device side [of the alumina substrate]; and

[d] e) a hermetic seal between the platinum fill and] wherein the platinum in the via hole is hermetically sealed to the alumina substrate, and

[e] f) wherein the hermetic seal has a leak rate that is no greater than 1×10^{-7} std cc He/sec[.]; and

[f] g) an electrically conductive bond pad comprising a pad portion and a post, wherein the pad portion resides in the counter-bore with the post extending into the platinum in the via hole, and

h) wherein the [platinum fill forms a tortuous and mutually conformal knitline or interface between the alumina substrate and the platinum fill] pad portion of the bond pad has an uninterrupted upper surface of a width that is greater than a diameter of the via hole, and

i) wherein the combined length of the pad portion and the post of the bond pad is less than the substrate thickness.

50. The feedthrough of claim 49 wherein the knitline comprises a glass that is at least about 60% silica.]

51. The feedthrough of claim 49, wherein an inherent shrink rate during a heat treatment of the alumina substrate in a *substrate* green state is equal to or up to 20% greater than an inherent co-fired shrink rate of the *substantially closed-pore* platinum [fill] in a *platinum* green state.

52. A hermetically sealed feedthrough that is attachable to an active implantable medical device (AIMD), the feedthrough comprising:

a) an electrically conductive ferrule comprising a ferrule sidewall defining a ferrule opening extending to a ferrule body fluid end surface and to a ferrule device side end surface, wherein, when the ferrule is attached to an opening in a housing of an AIMD, the ferrule body fluid end surface and the ferrule device side end surface reside outside the AIMD and inside the AIMD, respectively;

b) an alumina substrate comprised of at least 96% alumina and having a thickness extending [from] to a substrate body fluid side and to a substrate device side, wherein the alumina substrate resides in the ferrule opening where the alumina substrate is hermetically sealed to the ferrule;

[b] a) c) an active via hole disposed through the alumina substrate [from], the active via hole extending to the substrate body fluid side and to the substrate device side;

[c] d) a first substantially [closed pore and substantially pure] closed-pore platinum [fill] disposed [within] in the active via hole [and], the substantially closed-pore platinum extending [between] to the substrate body fluid side and to or adjacent to the substrate device side [of the alumina substrate], wherein the first substantially closed-pore platinum [fill forms a tortuous and mutually conformal knitline or interface between] in the active via hole forms a first hermetic seal with the alumina substrate [and the platinum fill:] at a first tortuous and mutually conformal knitline, and

[d] a hermetic seal between the first platinum fill and the alumina substrate,] e) wherein the first hermetic seal has a leak rate that is no greater than 1×10^{-7} std cc He/sec;

[e] f) a [grounded] ground via hole [disposed] extending through the alumina substrate [from] to the substrate body fluid side and to the substrate device side;

[f] g) a second substantially [closed pore] closed-pore platinum [fill] disposed [within] in the [grounded] ground via hole and extending [between] to the substrate body fluid side and to or adjacent to the substrate device side [of the alumina substrate,] wherein the second substantially closed-pore platinum in the ground via hole forms a second hermetic seal with the alumina substrate at a second tortuous and mutually conformal knitline, and

[g] a second hermetic seal between the second platinum fill and the alumina substrate,] h) wherein the second hermetic seal has a leak rate that is no greater than 1×10^{-7} std cc He/sec;

[h] i) at least one [grounded] ground electrode plate that is electrically coupled to the second [grounded] substantially closed-pore platinum [filled] disposed within the ground via [and] hole, but is in a non-conductive relation [to] with the first substantially closed-pore platinum [filled] disposed within the active via hole; and

[i] j) an outer metallization disposed on the alumina [dielectric] substrate and being electrically connected to the [plurality of grounded] at least one ground electrode [plates] plate,

k) wherein at least one of the active via hole and the ground via hole has a counter-bore aligned with the via hole, the counter-bore having a depth that extends from the substrate body fluid side part-way into the substrate thickness; and

l) an electrically conductive bond pad comprising a pad portion and a post, wherein the pad portion resides in the counter-bore with the post extending into the first and second substantially closed-pore platinum in the respective at least one of the active via hole and the ground via hole, and

m) wherein the pad portion of the bond pad has an uninterrupted upper surface of a width that is greater than a diameter of the via hole, and

n) wherein the combined length of the pad portion and the post of the bond pad is less than the substrate thickness.

53. The feedthrough of claim 52, wherein the [knitline] first and second knitlines formed by the respective first and second substantially closed-pore platinum [fill] and the alumina [dielectric] substrate [comprises] each comprise a glass that is at least about 60% silica.

54. The feedthrough of claim 52, wherein an inherent shrink rate during a heat treatment of the alumina substrate in a *substrate* green state is greater than a shrink rate of the first and second substantially closed-pore platinum [fills] in [a] their respective platinum green [state] states.

55. A hermetically sealed feedthrough that is attachable to an active implantable medical device, the feedthrough comprising:

a) an electrically conductive ferrule comprising a ferrule sidewall defining a ferrule opening extending to a ferrule body fluid end surface and to a ferrule device side end surface, wherein, when the ferrule is attached to an opening in a housing of an AIMD, the ferrule body fluid end surface and the ferrule device side end surface reside outside the AIMD and inside the AIMD, respectively;

b) an alumina substrate comprised of at least 96% alumina and having a thickness extending to a substrate first side and to a substrate second side, wherein the alumina substrate resides in the ferrule opening where the alumina substrate is hermetically sealed to the ferrule;

c) an active via hole extending through the alumina substrate to the substrate first side and to the substrate second side, wherein a counter-bore in the substrate is aligned with the active via hole and has a depth that extends from the substrate first side part-way into the substrate thickness;

d) a substantially closed-pore platinum that is hermetically sealed to the alumina substrate in the active via hole, the substantially closed-pore platinum extending to the counter-bore at the substrate first side and to or adjacent to the substrate second side; and

e) an electrically conductive bond pad comprising a pad portion and a post, wherein the pad portion resides in the counter-bore with the post extending into the substantially closed-pore platinum in the active via hole, and

f) wherein the pad portion of the bond pad has an uninterrupted upper surface of a width that is greater than a diameter of the via hole, and

55

g) wherein the combined length of the pad portion and the post of the bond pad is less than the substrate thickness.

56. The feedthrough of claim 55, wherein the pad portion of the bond pad has a height that is greater than the depth of the counter-bore so that part of the pad portion extends outwardly beyond the substrate body fluid side bordering the counter-bore.

57. The feedthrough of claim 55, wherein the hermetic seal has a leak rate at least no greater than 1×10^{-7} std cc He/sec.

58. The feedthrough of claim 55, wherein the substantially closed-pore platinum resides in the counter-bore contacting the pad portion of the bond pad.

59. A hermetically sealed feedthrough that is attachable to an active implantable medical device, the feedthrough comprising:

a) an electrically conductive ferrule comprising a ferrule sidewall defining a ferrule opening extending to a ferrule body fluid end surface and to a ferrule device side end surface, wherein, when the ferrule is attached to an opening in a housing of an AIMD, the ferrule body fluid end surface and the ferrule device side end surface reside outside the AIMD and inside the AIMD, respectively;

b) an alumina substrate comprised of at least 96% alumina and having a thickness extending to a substrate first side and to a substrate second side, wherein the alumina substrate resides in the ferrule opening where the alumina substrate is hermetically sealed to the ferrule;

c) an active via hole extending through the alumina substrate to the substrate first side and to the substrate second side, wherein a counter-bore in the substrate is aligned with the active via hole and has a depth that extends from the substrate first side part-way into the substrate thickness;

d) a substantially closed-pore platinum that is hermetically sealed to the alumina substrate in the active via hole, the substantially closed-pore platinum extending to the counter-bore at the substrate first side and to or adjacent to the substrate second side; and

e) an electrically conductive leadwire connection feature extending to a leadwire connection feature first portion having a leadwire connection feature first end and to a leadwire connection feature second portion, wherein the leadwire connection feature first portion is seated on the substrate first side in the counter-bore with the leadwire connection feature first end residing adjacent to the substrate first side, and wherein the leadwire connection feature second portion extends into the substantially closed-pore platinum in the active via hole, and

f) wherein the leadwire connection feature first portion has an uninterrupted upper surface of a width that is greater than a diameter of the via hole, and

g) wherein the combined length of the leadwire connection feature first and second portions is less than the substrate thickness.

60. The feedthrough of claim 59, wherein the leadwire connection feature first end is substantially flush with the substrate first side bordering the counter-bore.

61. The feedthrough of claim 59, wherein the leadwire connection feature first end is proud of the substrate first side bordering the counter-bore.

62. The feedthrough of claim 59, wherein the leadwire connection feature first portion has a larger cross-section

56

perpendicular to a longitudinal axis of the leadwire connection feature than the leadwire connection feature second portion.

63. The feedthrough of claim 59, wherein the leadwire connection feature is selected from the group consisting of a wire, a bond pad having a rounded nail head, and a bond pad having a flat nail head.

64. A feedthrough insulator substrate assembly, comprising:

a) an insulator substrate having a thickness extending to a substrate body fluid side and to a substrate device side, wherein the insulator substrate resides in the ferrule opening where the substrate is hermetically sealed to the ferrule;

b) an active via hole extending through the insulator substrate to the substrate body fluid side and to the substrate device side, wherein a counter-bore in the substrate is aligned with the active via hole and has a depth that extends from the substrate body fluid side part-way into the substrate thickness;

c) a substantially closed-pore platinum that is hermetically sealed to the insulator substrate in the active via hole, the substantially closed-pore platinum extending to the counter-bore at the substrate body fluid side and to or adjacent to the substrate device side; and

d) an electrically conductive bond pad comprising a pad portion and a post, wherein the pad portion resides in the counter-bore, seated on the substrate body fluid side with the post extending into the substantially closed-pore platinum in the active via hole, and wherein the pad portion of the bond pad has a height that is greater than the depth of the counter-bore so that part of the pad portion in the counter-bore extends outwardly beyond the substrate body fluid side bordering the counter-bore, and wherein the substantially closed-pore platinum resides in the counter-bore contacting the pad portion of the bond pad, and

e) wherein the pad portion of the bond pad has an uninterrupted upper surface of a width that is greater than a diameter of the via hole, and

f) wherein the combined length of the pad portion and the post of the bond pad is less than the substrate thickness.

65. The feedthrough of claim 64, wherein the bond pad is selected from the group consisting of a wire providing the pad portion and the post, a nail having a rounded nail head, and a nail having a flat nail head.

66. The feedthrough of claim 1, wherein the bond pad is selected from the group consisting of a wire providing the pad portion and the post, a nail having a rounded nail head, and a nail having a flat nail head.

67. The feedthrough of claim 49, wherein the bond pad is selected from the group consisting of a wire providing the pad portion and the post, a nail having a rounded nail head, and a nail having a flat nail head.

68. The feedthrough of claim 52, wherein the bond pad is selected from the group consisting of a wire providing the pad portion and the post, a nail having a rounded nail head, and a nail having a flat nail head.

69. The feedthrough of claim 55, wherein the bond pad is selected from the group consisting of a wire providing the pad portion and the post, a nail having a rounded nail head, and a nail having a flat nail head.

70. The feedthrough of claim 1, wherein the pad portion of the bond pad has a height that is greater than the depth of the counter-bore so that part of the pad portion extends outwardly beyond the substrate body fluid side bordering the counter-bore.

57

71. The feedthrough of claim 1, wherein the substantially closed-pore platinum resides in the counter-bore contacting the pad portion of the bond pad.

72. The feedthrough of claim 1, wherein the pad portion of the bond pad resides in the counter-bore, seated on the substrate body fluid side with the post extending into the substantially closed-pore platinum in the active via hole. 5

73. The feedthrough of claim 1, wherein the uninterrupted upper surface of the pad portion of the bond pad is either flush or proud of the substrate body fluid side surrounding the counterbore. 10

74. A hermetically sealed feedthrough that is attachable to an active implantable medical device (AIMD), the feedthrough comprising:

- a) an electrically conductive ferrule comprising a ferrule sidewall defining a ferrule opening extending to a ferrule body fluid end surface and to a ferrule device side end surface, wherein, when the ferrule is attached to an opening in a housing of an AIMD, the ferrule body fluid end surface and the ferrule device side end surface reside outside the AIMD and inside the AIMD, respectively; 15 20

58

b) an alumina substrate comprised of at least 96% alumina and having a thickness extending to a substrate body fluid side and to a substrate device side, wherein the alumina substrate resides in the ferrule opening where the alumina substrate is hermetically sealed to the ferrule;

c) an active via hole extending through the alumina substrate to the substrate body fluid side and to the substrate device side;

d) a substantially closed-pore platinum that is hermetically sealed to the alumina substrate in the active via hole, the substantially closed-pore platinum extending to or adjacent to the substrate body fluid side and to or adjacent to the substrate device side; and

e) an electrically conductive double-sided crimp post disposed through the substantially closed-pore platinum in the active via hole, the double-sided crimp post comprising a crimp post first end adjacent to the substrate body fluid side and a crimp post second end adjacent to the substrate device side.

* * * * *