



US00RE47588E

(19) **United States**
(12) **Reissued Patent**
Erbel et al.

(10) **Patent Number:** **US RE47,588 E**
(45) **Date of Reissued Patent:** **Sep. 3, 2019**

(54) **PATIENT POSITIONING SYSTEM FOR RADIOTHERAPY**

(71) Applicant: **Brainlab AG**, Munich (DE)

(72) Inventors: **Stephan Erbel**, Munich (DE); **Stephan Frochlich**, Aschheim (DE)

(73) Assignee: **Brainlab AG**, Munich (DE)

(21) Appl. No.: **15/222,476**

(22) Filed: **Jul. 28, 2016**

Related U.S. Patent Documents

Reissue of:

(64) Patent No.: **8,789,223**
Issued: **Jul. 29, 2014**
Appl. No.: **12/907,139**
Filed: **Oct. 19, 2010**

U.S. Applications:

(63) Continuation of application No. 11/069,101, filed on Mar. 1, 2005, now Pat. No. 7,818,838, which is a
(Continued)

(30) **Foreign Application Priority Data**

Mar. 5, 2001 (ZW) 01104553
Jun. 6, 2001 (EP) 01112942

(51) **Int. Cl.**
A61G 13/04 (2006.01)
A61B 6/04 (2006.01)
(Continued)

(52) **U.S. Cl.**
CPC **A61B 6/0421** (2013.01); **A61N 5/103** (2013.01); **A61N 5/1049** (2013.01);
(Continued)

(58) **Field of Classification Search**
CPC . A61B 6/04; A61B 6/0407; B66F 7/22; B66F 7/10; B66F 7/06
See application file for complete search history.

(56) **References Cited**
U.S. PATENT DOCUMENTS
2,630,800 A 3/1953 Voss et al.
2,794,694 A 6/1957 Fullwood et al.
(Continued)

FOREIGN PATENT DOCUMENTS

DE 7016784 U 8/1970
DE 2 260 140 A 6/1974
(Continued)

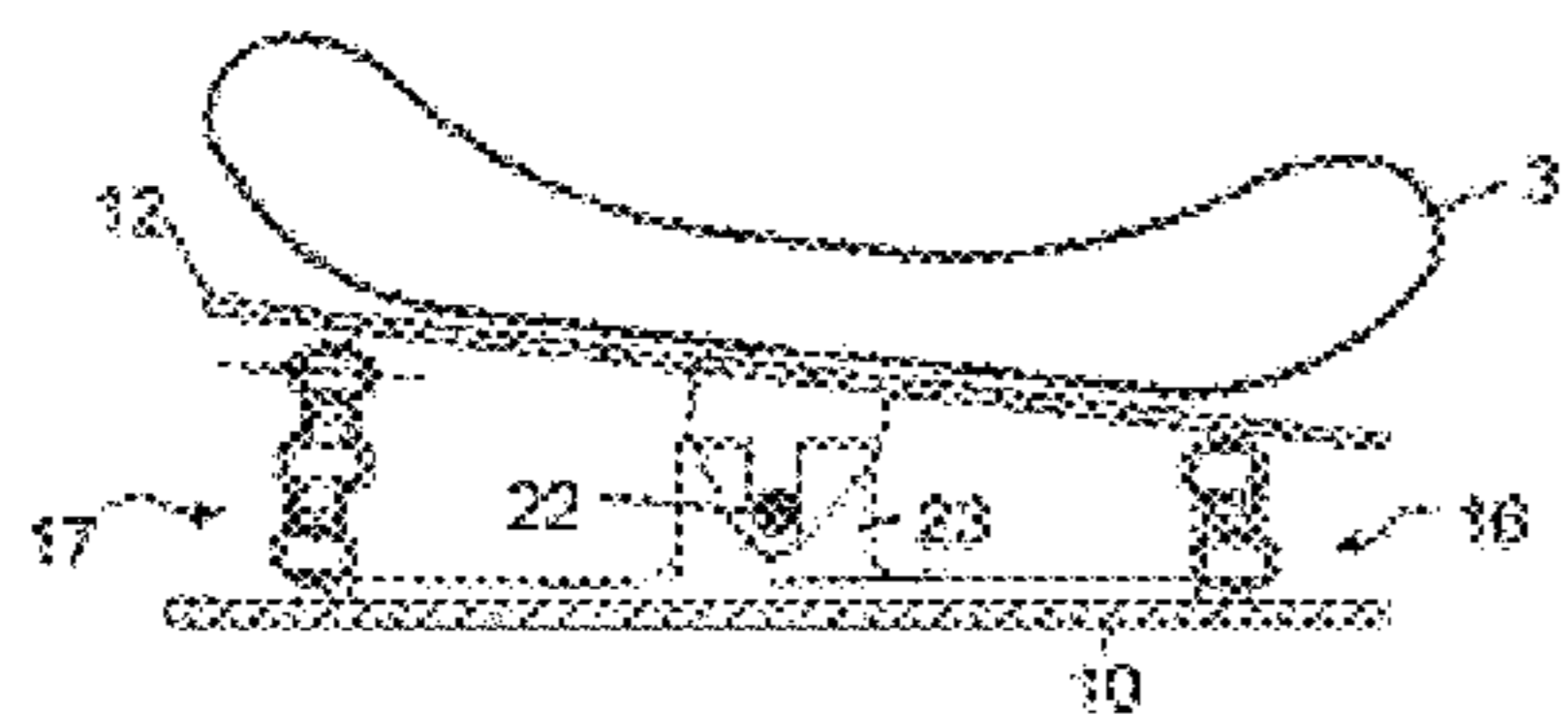
OTHER PUBLICATIONS

Merriam-Webster's Collegiate Dictionary, Tenth Edition principal copyright 1993, pp. 1253-1254, USA.

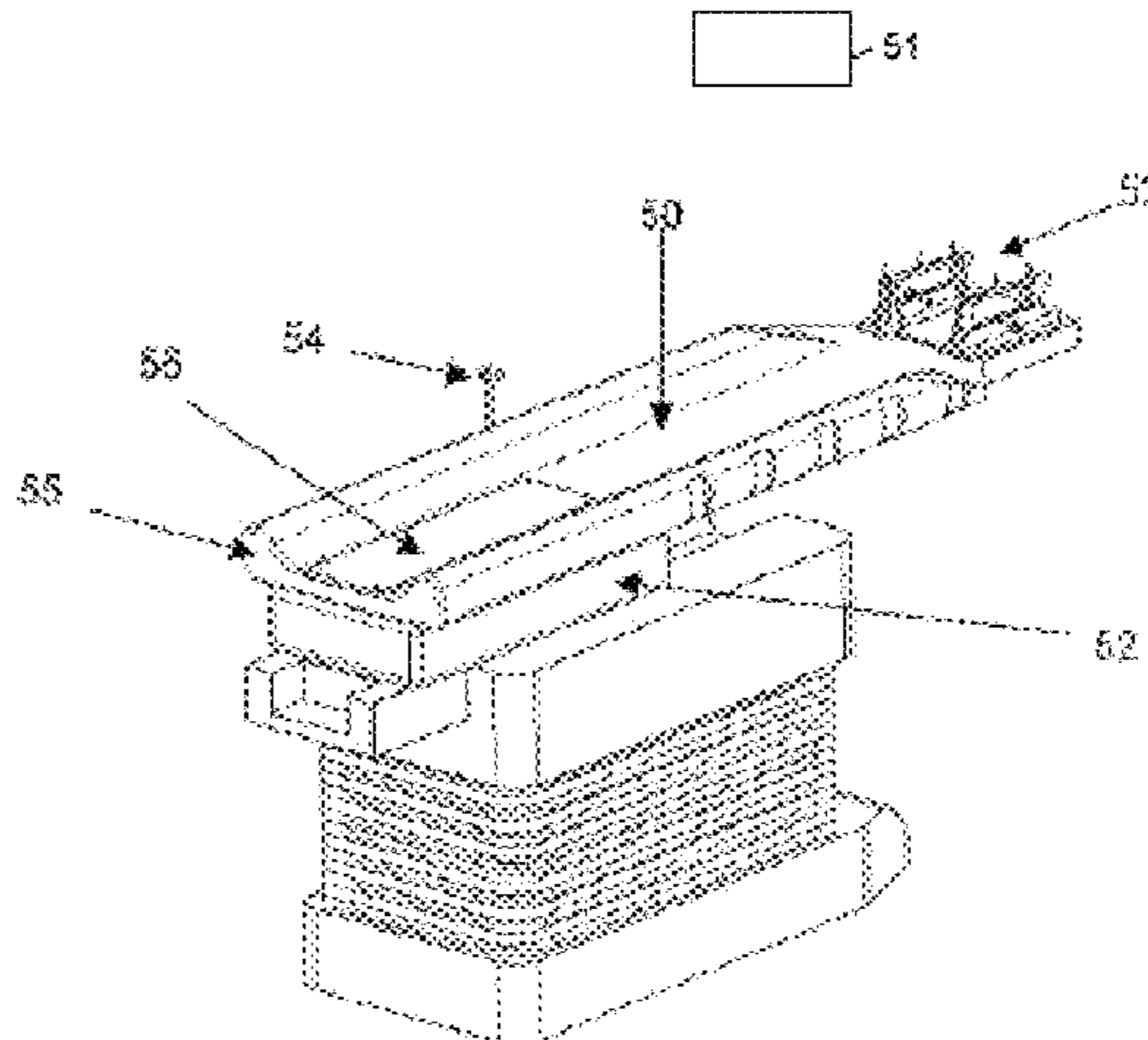
Primary Examiner — Jeffrey L Gellner
(74) *Attorney, Agent, or Firm* — Tucker Ellis LLP

(57) **ABSTRACT**
A patient positioning system for radiotherapy, comprising a device for positioning a patient within the framework of treatment planning, using image detection and/or carrying out radiation treatment, comprising a patient bed on which a patient is positioned, wherein means are provided by which the same bed may be arranged both on a planning couch for image detection within the framework of treatment planning as well as on a radiotherapy table, and by providing a reference means on the patient bed by which the position of the immobilized patient or of a marked radiation target is determined with respect to the patient bed. Within this framework, a corresponding method is also provided, as well as an adjusting means for the transport and the bed.

12 Claims, 5 Drawing Sheets



(Amended)



(Amended)

Related U.S. Application Data

continuation of application No. 09/949,294, filed on Sep. 7, 2001, now Pat. No. 6,865,411.

(51) **Int. Cl.**

A61N 5/10 (2006.01)
A61B 6/00 (2006.01)
A61B 5/00 (2006.01)

(52) **U.S. Cl.**

CPC *A61B 5/7285* (2013.01); *A61B 6/541* (2013.01); *A61N 5/1064* (2013.01)

(56)

References Cited

U.S. PATENT DOCUMENTS

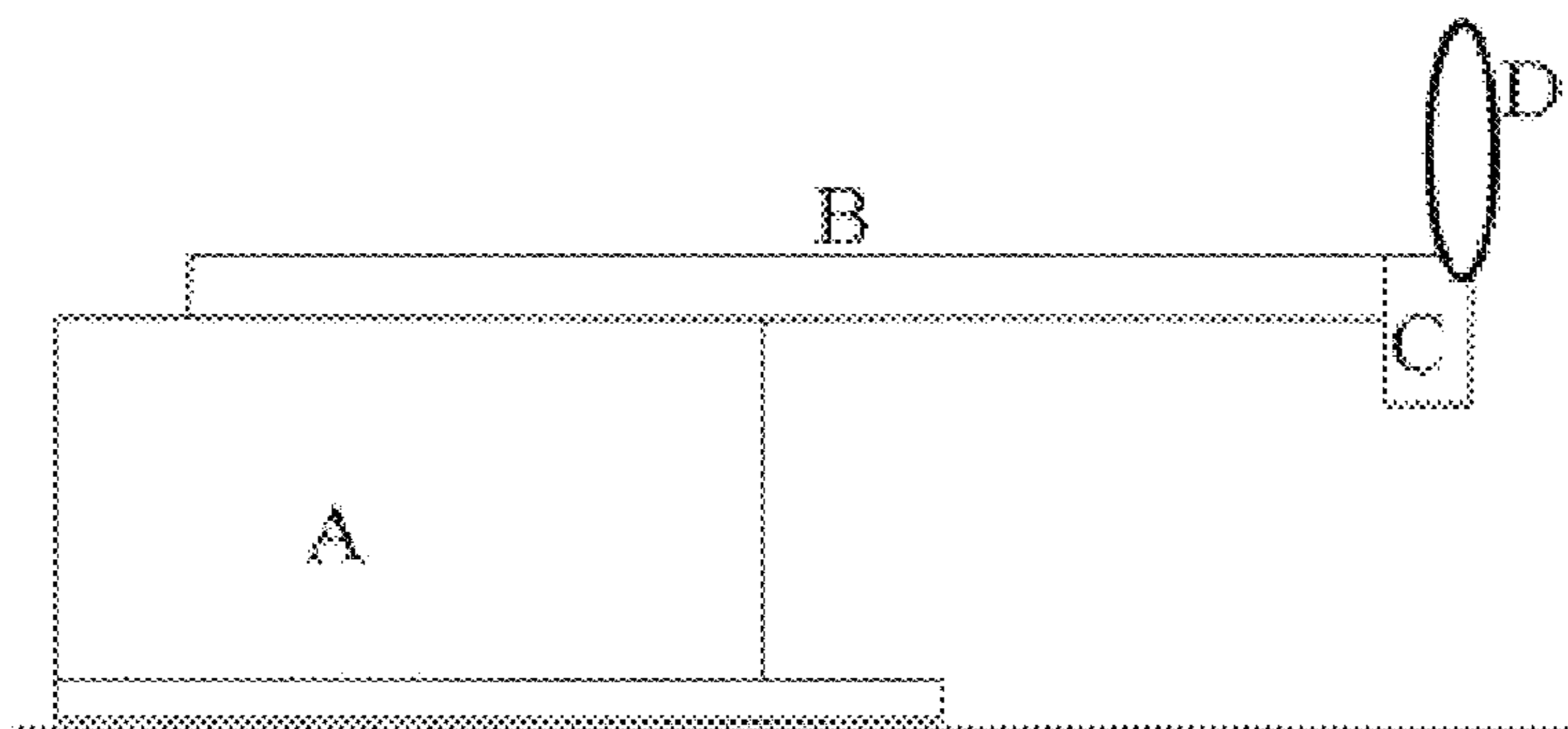
2,808,828 A 10/1957 Rubin
 3,149,229 A * 9/1964 Morel A61B 6/04
 378/209
 3,227,439 A * 1/1966 Carlson 5/618
 3,724,004 A 4/1973 Behrens
 3,818,516 A 6/1974 Hopper et al.
 4,006,499 A 2/1977 Young
 4,121,802 A 10/1978 Kluting et al.
 4,131,801 A 12/1978 Hogan
 4,156,815 A 5/1979 Hogan
 4,158,777 A 6/1979 Hogan
 4,274,167 A 6/1981 Immel
 4,572,493 A * 2/1986 Hubert 5/608
 4,579,324 A 4/1986 McConnell
 4,667,354 A 5/1987 Carey, Jr. et al.
 4,905,267 A 2/1990 Miller et al.
 4,958,817 A 9/1990 Heller et al.
 5,016,268 A 5/1991 Lotman
 5,058,871 A 10/1991 Congin et al.
 5,117,445 A 5/1992 Seppi et al.
 5,149,074 A * 9/1992 Jarin 5/601
 5,189,687 A 2/1993 Bova et al.
 5,207,223 A 5/1993 Adler
 5,247,555 A 9/1993 Moore et al.
 5,345,632 A 9/1994 Langenaeken et al.
 5,381,882 A 1/1995 Ostholt
 5,398,356 A 3/1995 Pflieger
 5,406,611 A 4/1995 Schobert et al.

5,410,767 A 5/1995 Barud
 5,475,884 A 12/1995 Kirmse et al.
 5,551,432 A 9/1996 Iezzi
 5,590,429 A 1/1997 Boomgaarden et al.
 5,651,043 A 7/1997 Tsuyuki et al.
 5,703,922 A 12/1997 Rattner
 5,754,623 A 5/1998 Seki
 5,851,182 A 12/1998 Sahadevan
 5,855,207 A 5/1999 Moenning et al.
 5,901,936 A 5/1999 Bieg
 5,950,262 A 9/1999 Smoler et al.
 5,953,776 A * 9/1999 Sanders et al. 5/611
 6,094,760 A 8/2000 Nonaka et al.
 6,138,302 A 10/2000 Sashin et al.
 6,152,599 A 11/2000 Salter, Jr.
 6,269,499 B1 8/2001 Amir
 6,405,072 B1 * 6/2002 Cosman 600/426
 6,405,393 B2 6/2002 Megown
 6,416,219 B1 7/2002 Pflaum et al.
 6,460,206 B1 10/2002 Blasche et al.
 6,502,261 B1 1/2003 Harwood
 6,574,808 B1 6/2003 Brown et al.
 6,640,363 B1 11/2003 Pattee et al.
 6,681,423 B2 1/2004 Zachrisson
 6,865,411 B2 3/2005 Erbel et al.
 7,818,838 B2 10/2010 Erbel et al.
 8,909,325 B2 12/2014 Kimchy et al.
 2002/0095730 A1 7/2002 Al-Kassim et al.

FOREIGN PATENT DOCUMENTS

DE 43 41 779 A 6/1995
 DE 196 12 091 A 3/1997
 DE 19543301 A1 3/1997
 DE 195352321 A1 3/1997
 DE 19639926 A1 4/1998
 DE 199 20 008 A 12/2000
 EP 0 047 958 3/1982
 EP 0 370 567 5/1990
 EP 0 562 585 9/1993
 EP 0781518 A1 7/1997
 GB 2286519 A 8/1995
 JP H102121666 A 5/1990
 WO 99/27839 6/1999
 WO 01/54765 A2 8/2001

* cited by examiner



PRIOR ART
FIG. 10
(Amended)

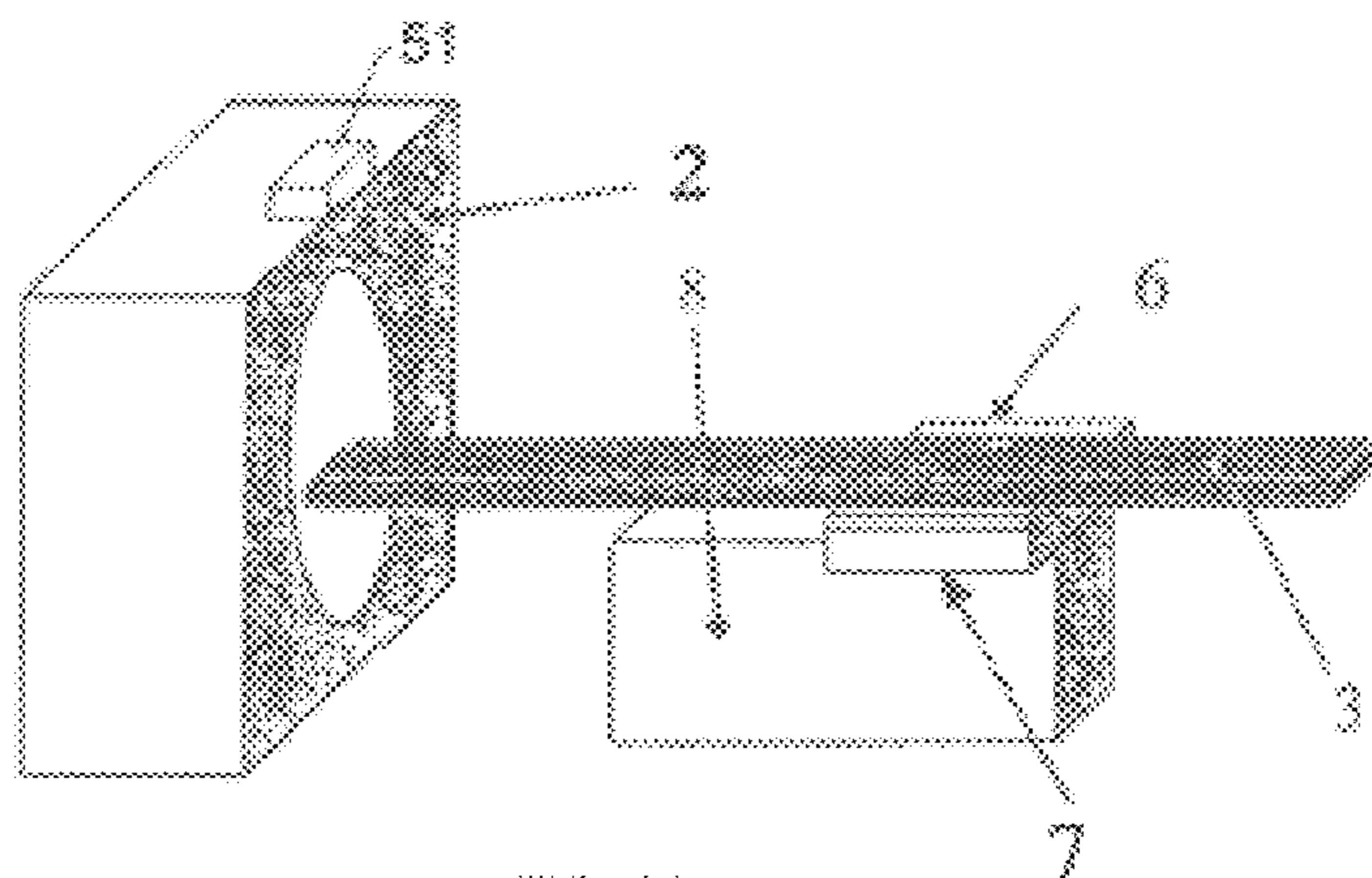


FIG. 1A
(Amended)

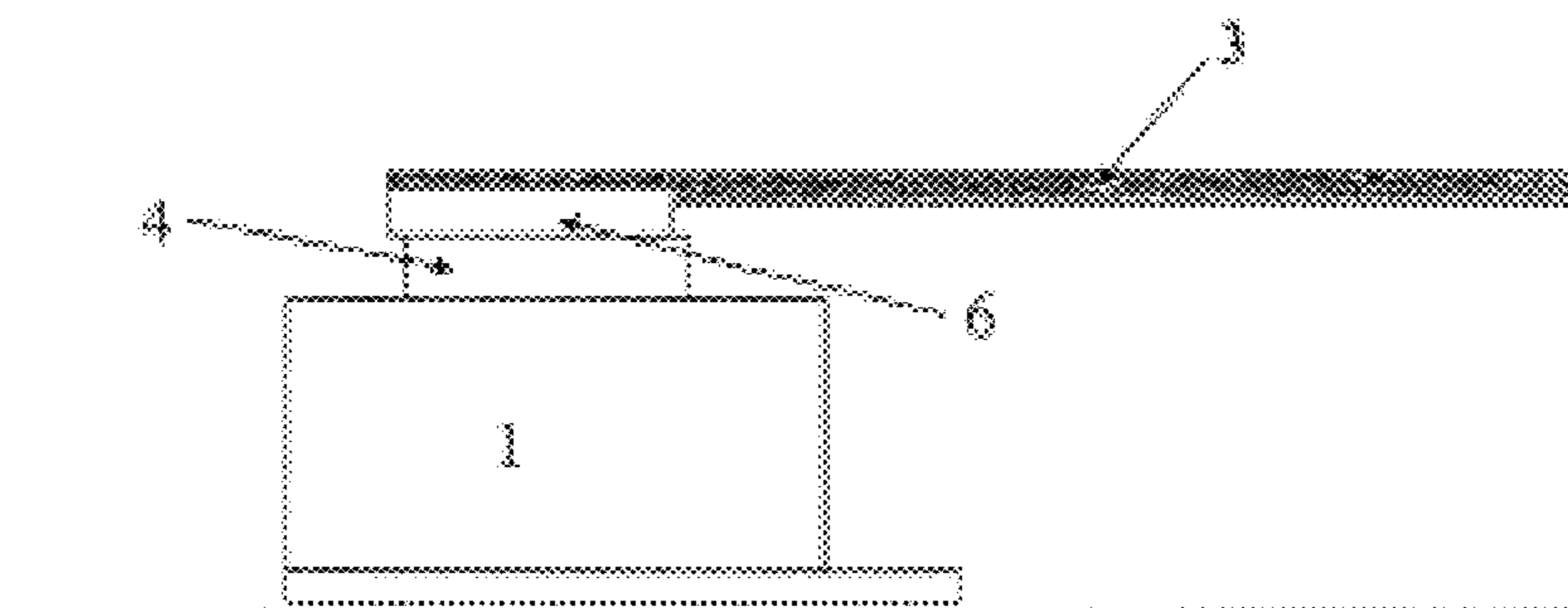


FIG. 1B
(Amended)

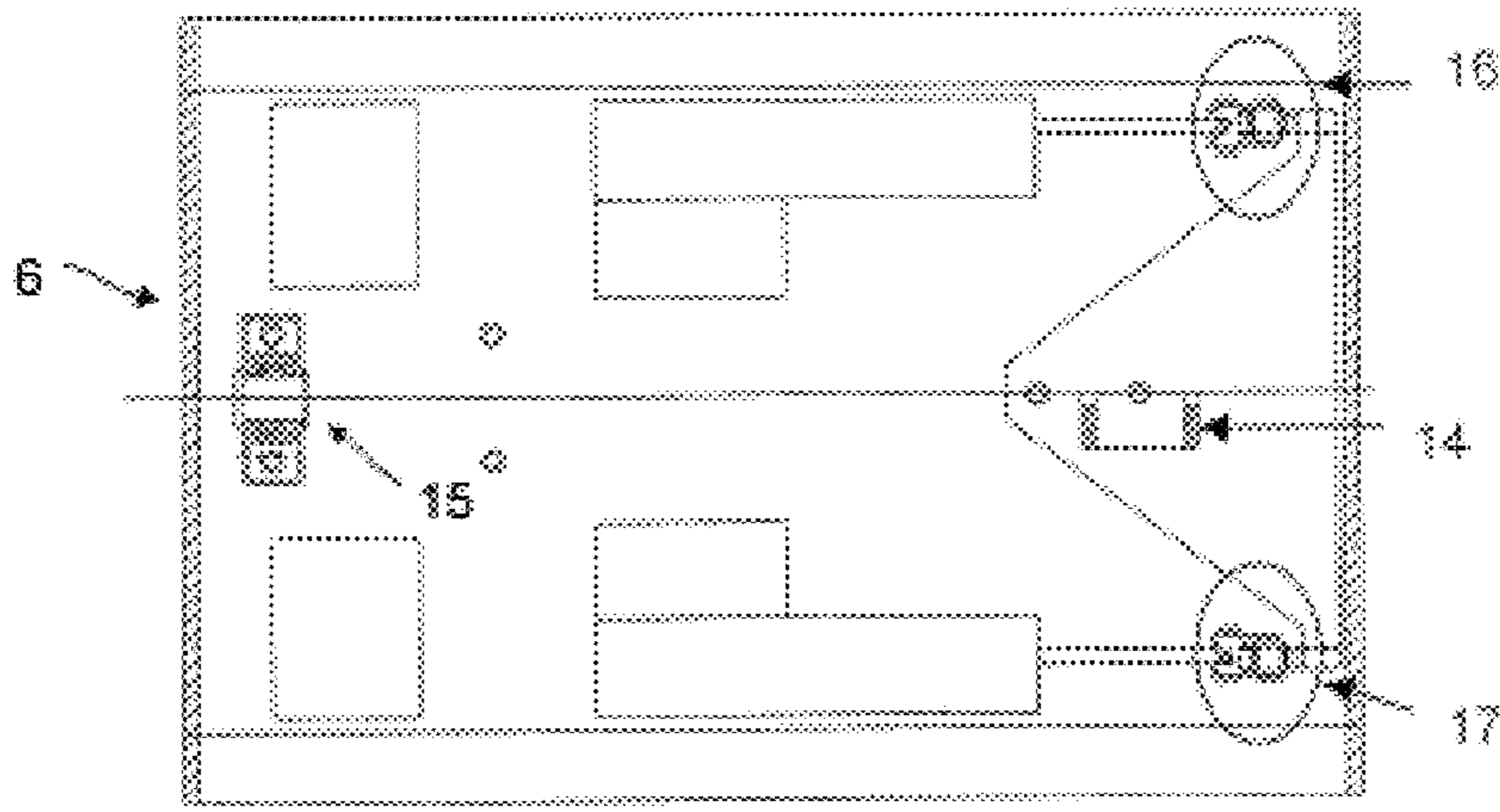


FIG. 2A
(Amended)

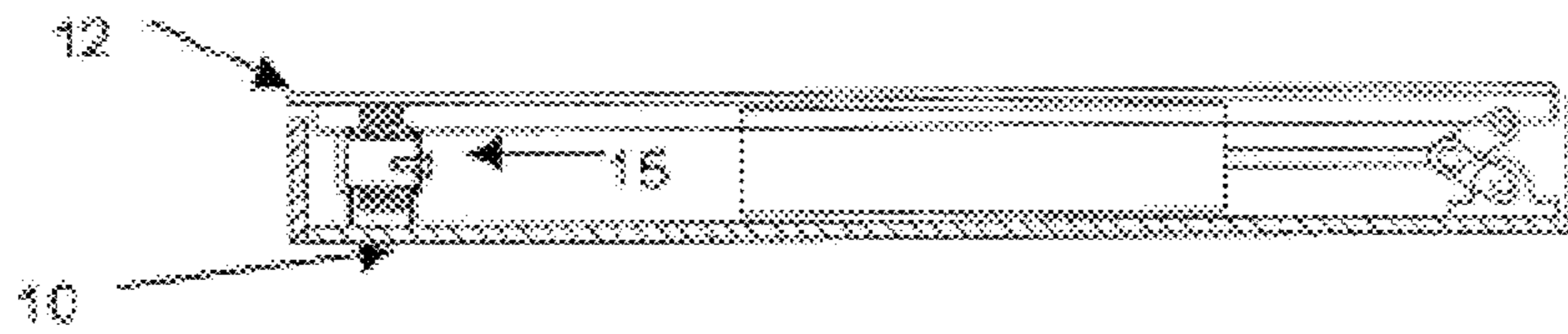


FIG. 2B
(Amended)

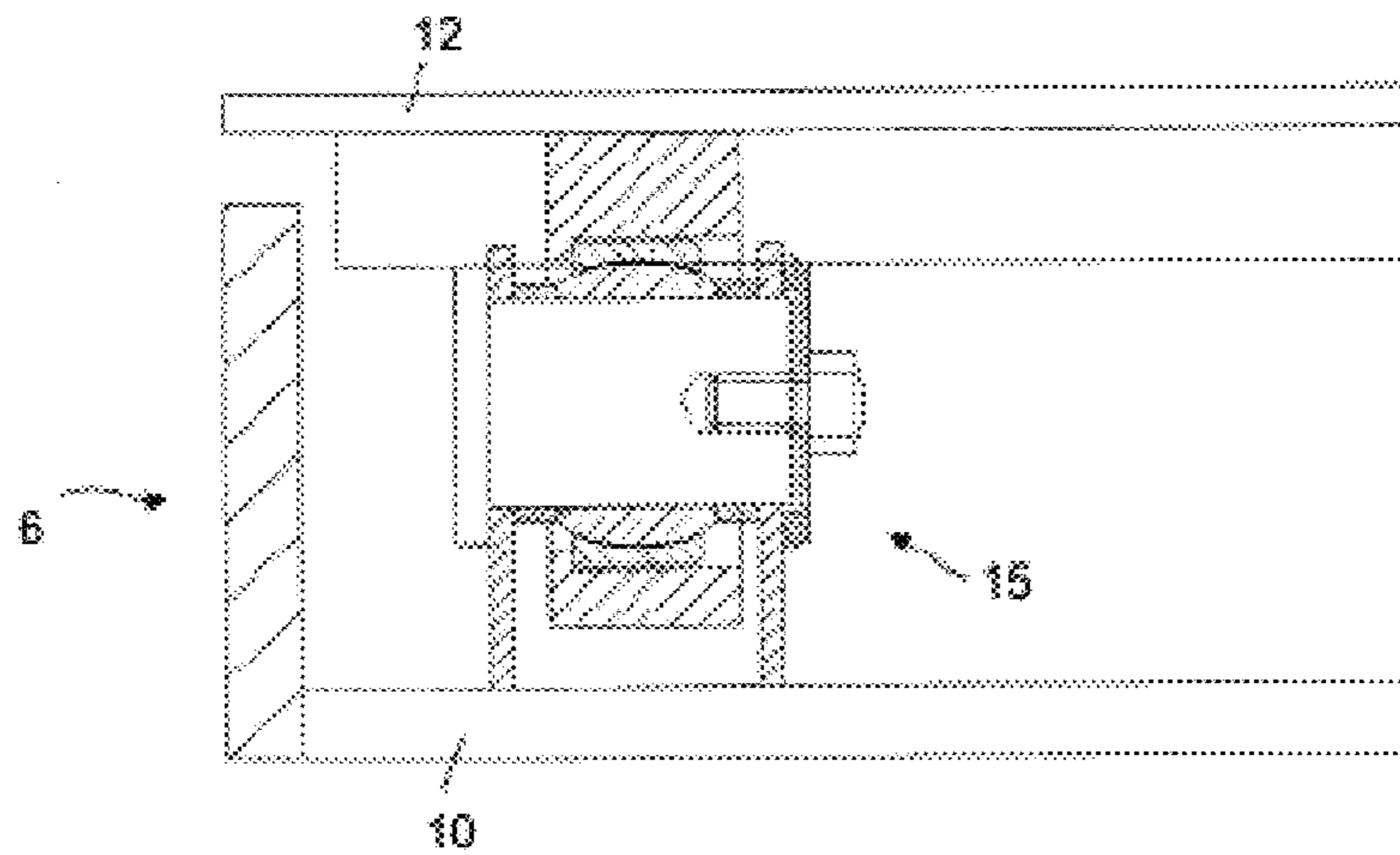


FIG. 3
(Amended)

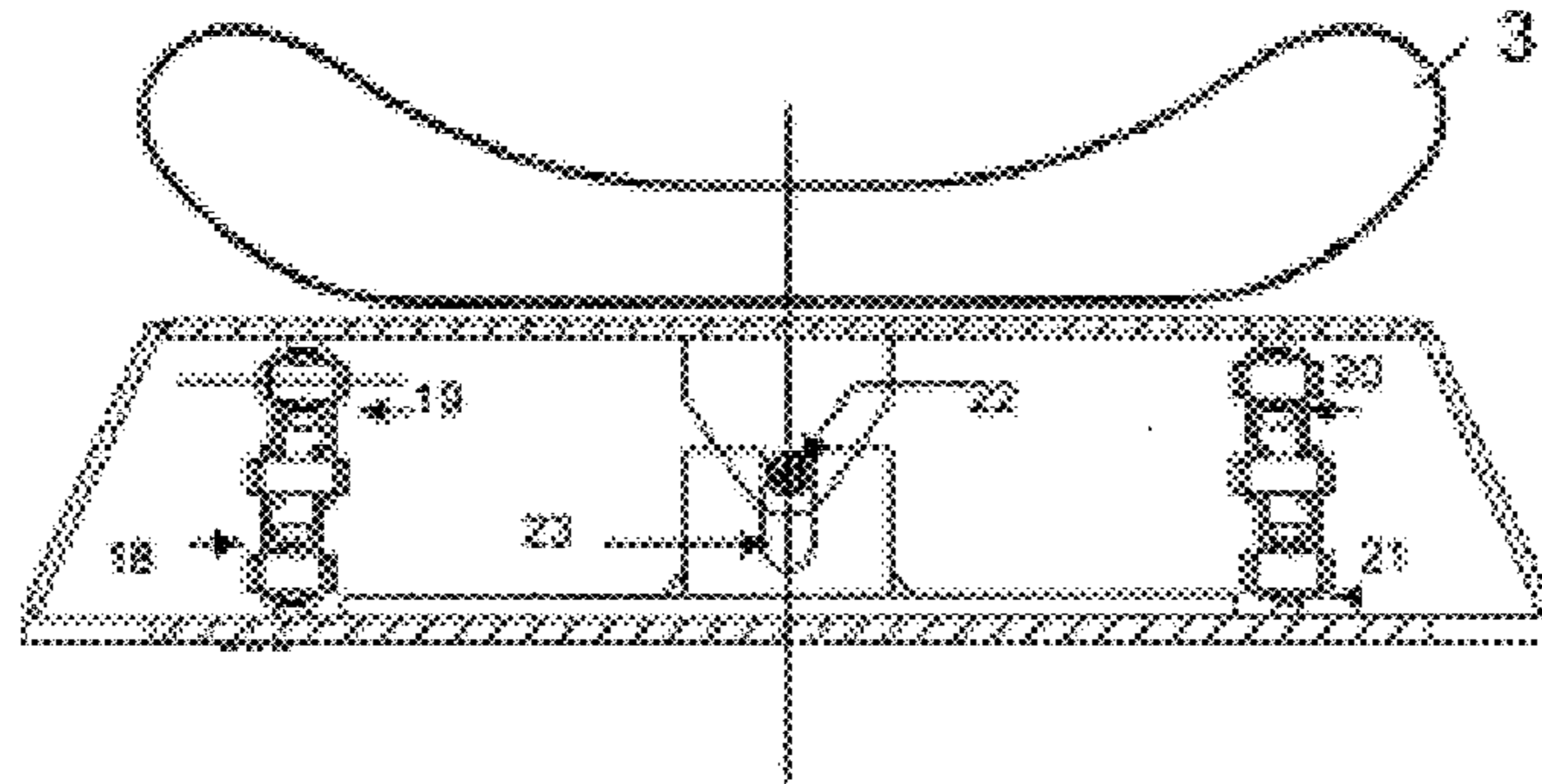


FIG. 4
(Amended)

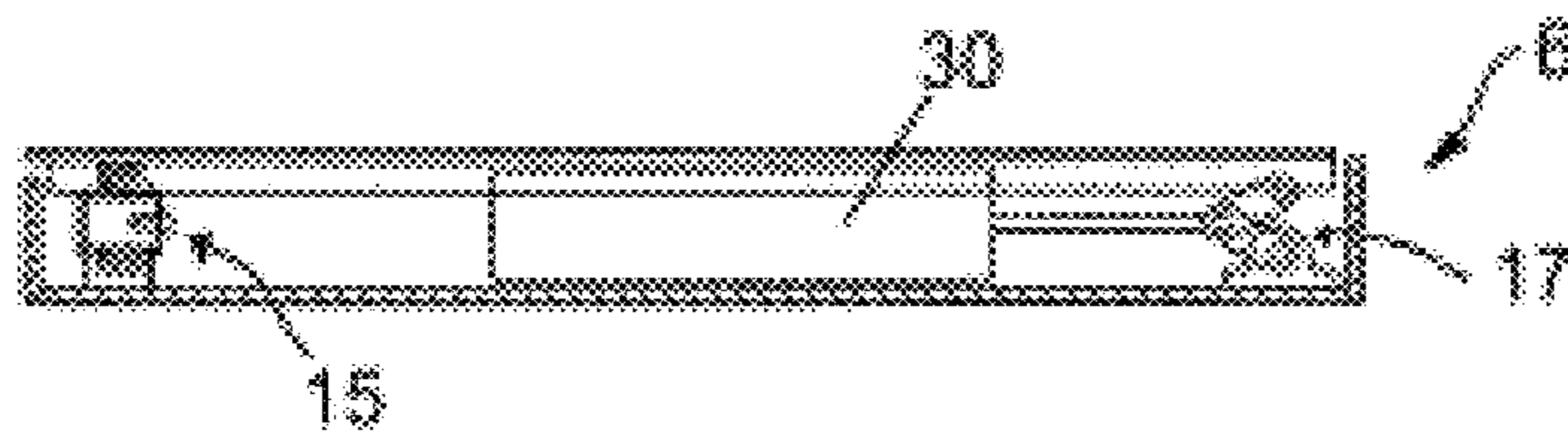


FIG. 5A
(Amended)

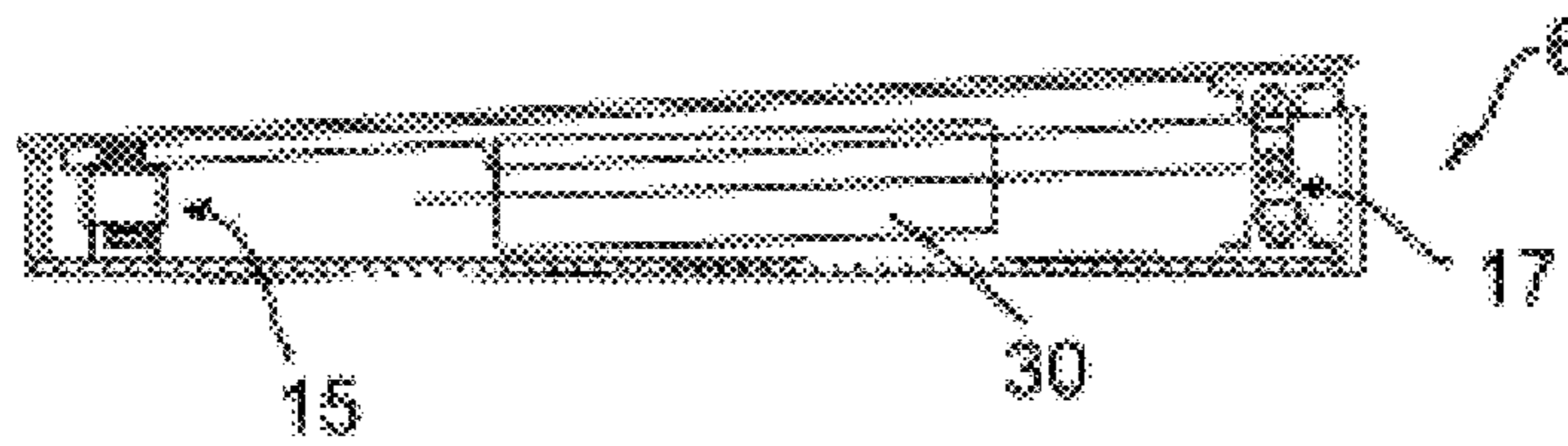


FIG. 5B
(Amended)

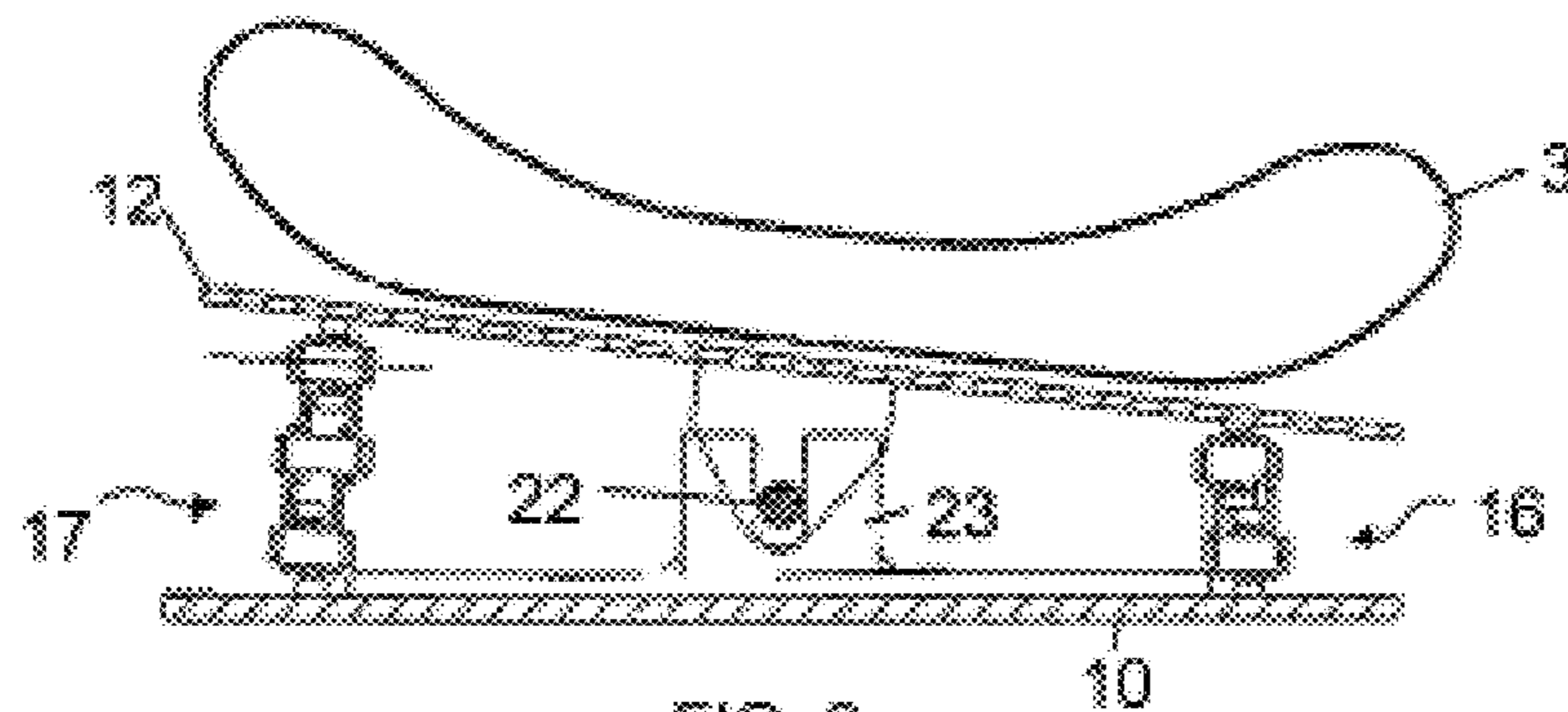


FIG. 6
(Amended)

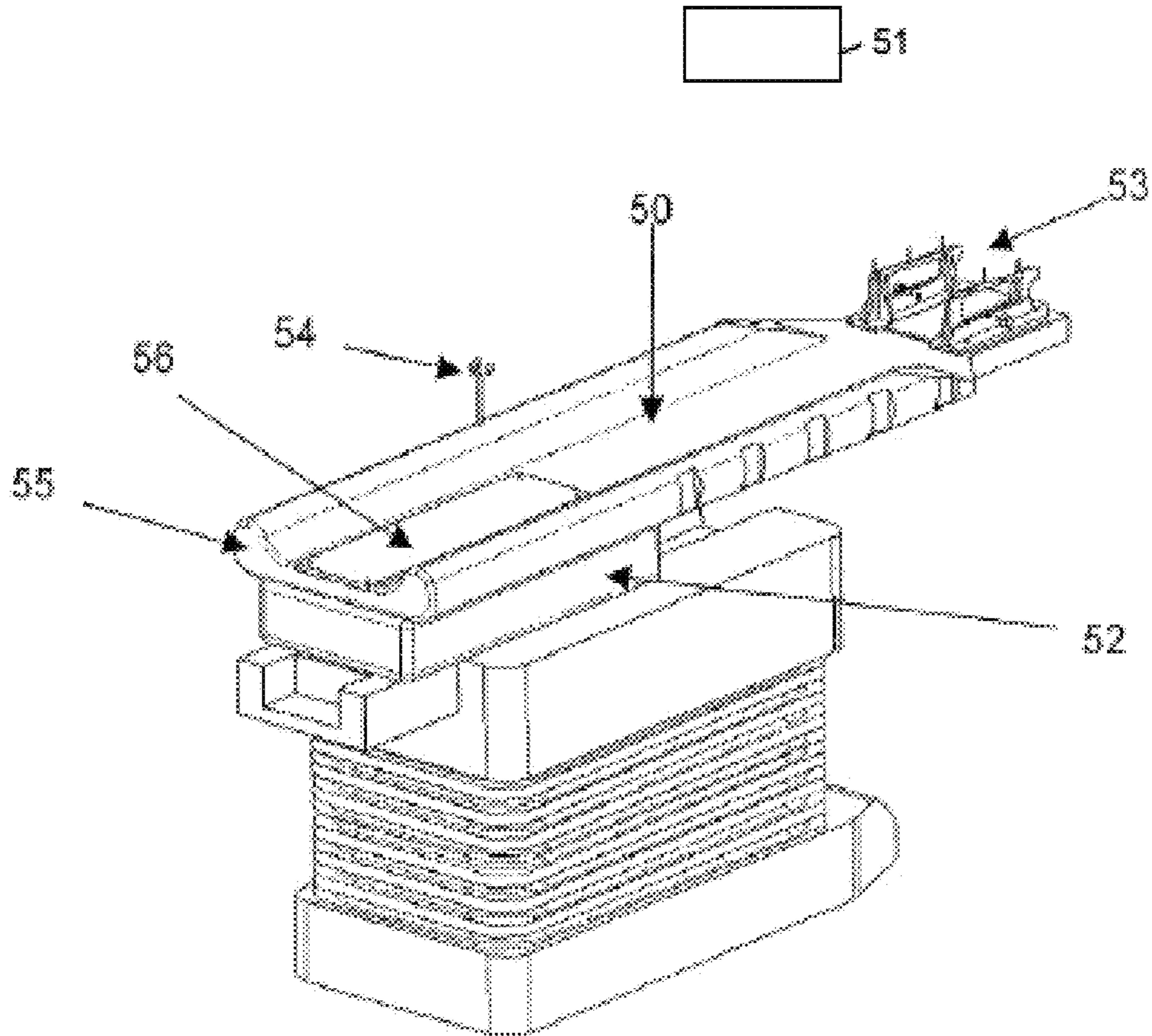


FIG. 7
(Amended)

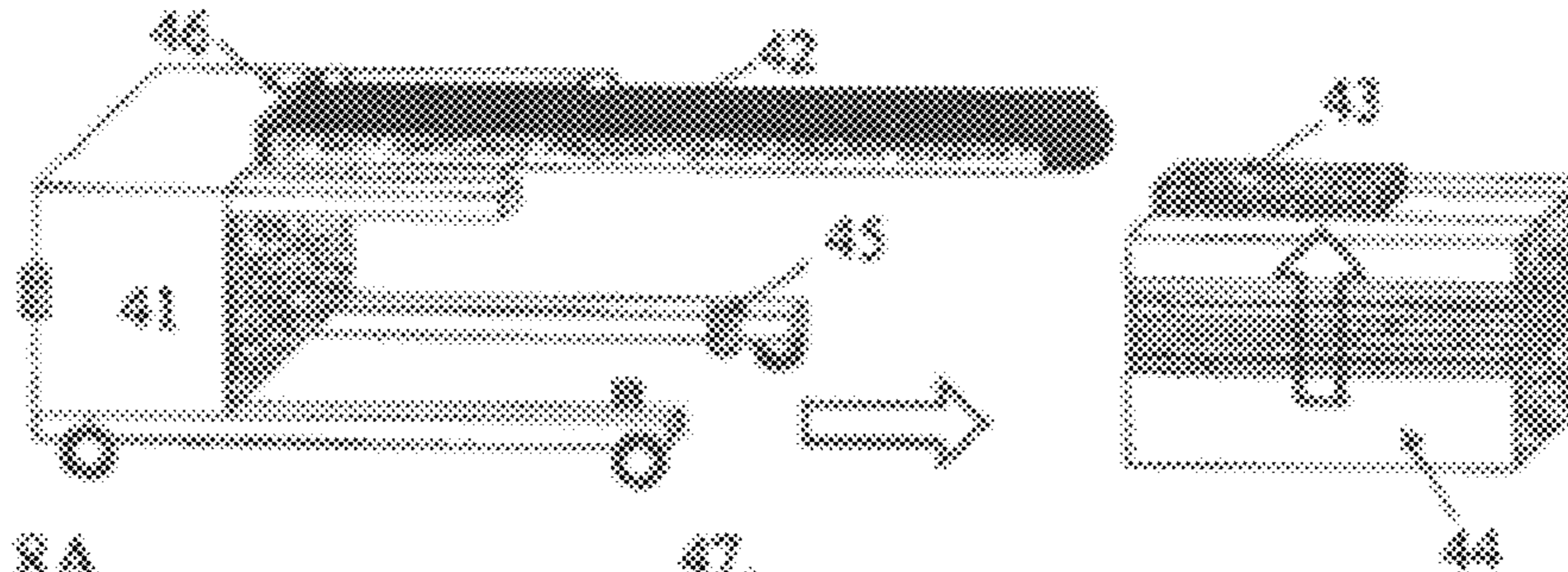


FIG. 8A
(Amended)

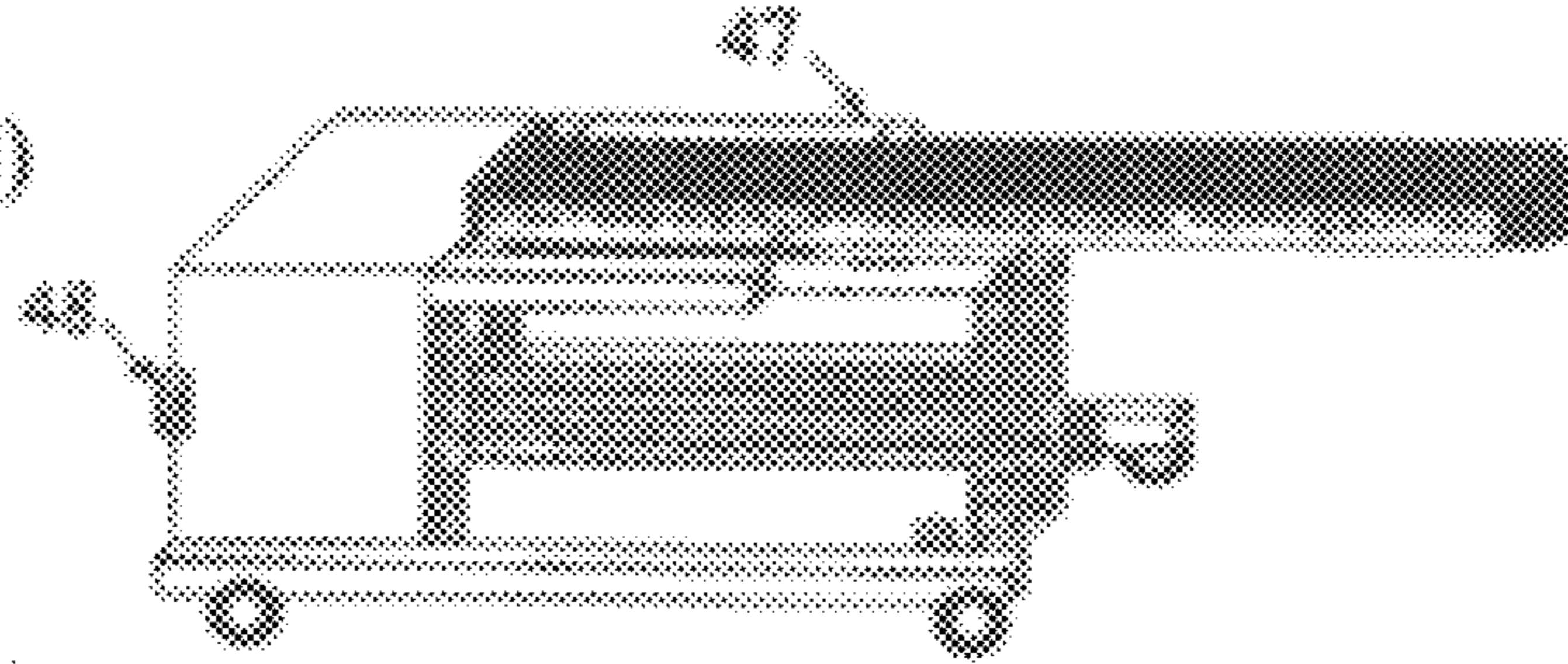


FIG. 8B
(Amended)

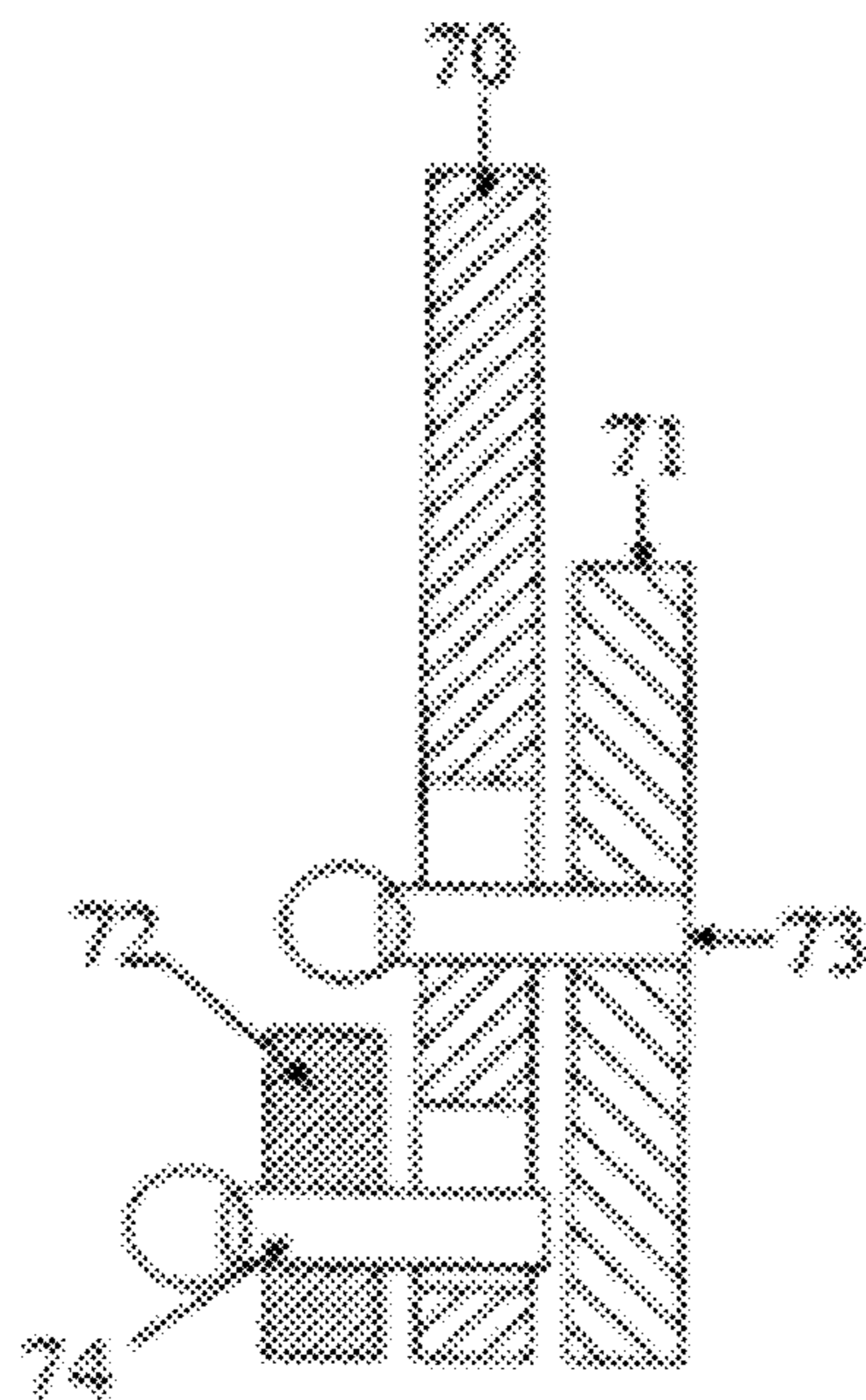


FIG. 9A
(Amended)

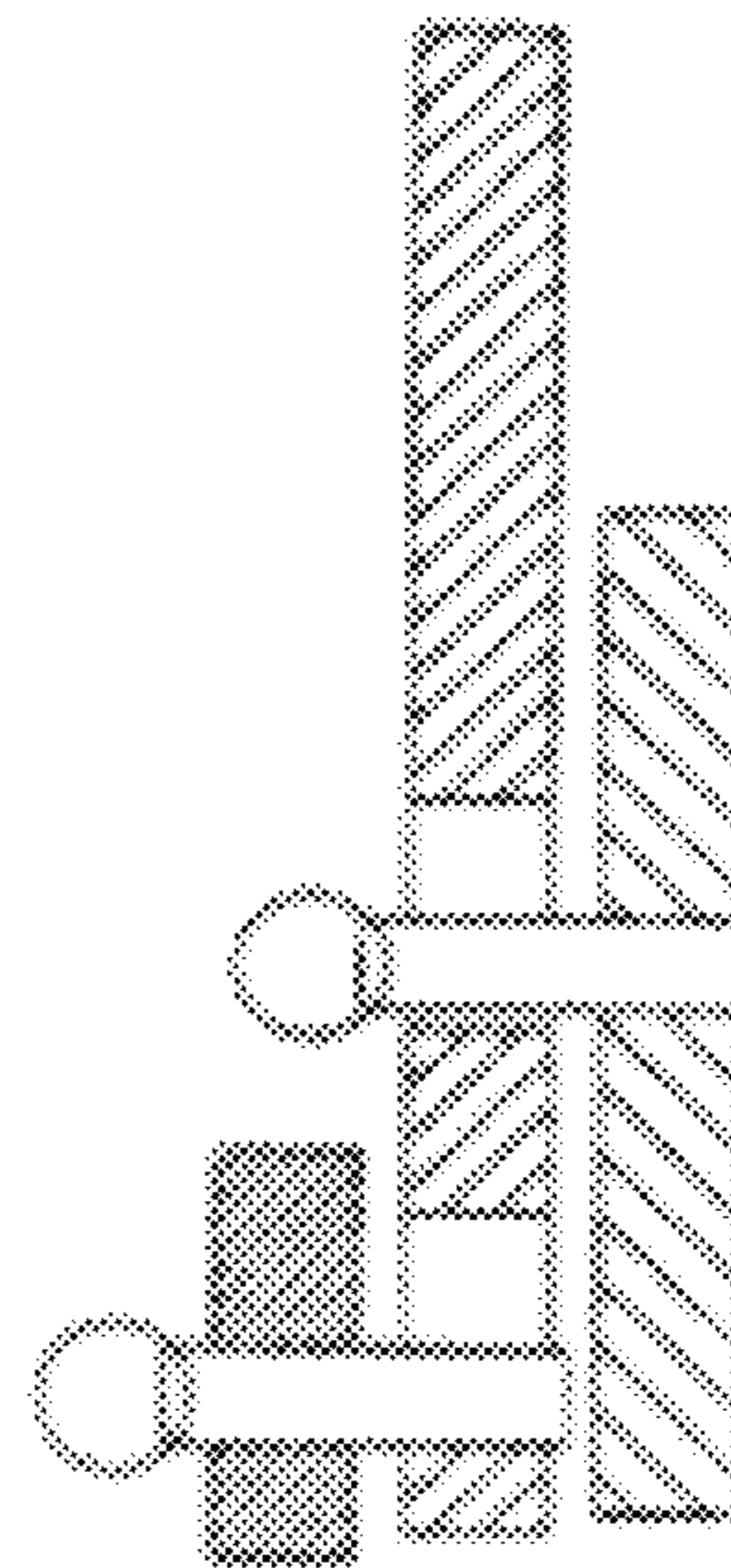


FIG. 9B
(Amended)

PATIENT POSITIONING SYSTEM FOR RADIOTHERAPY

Matter enclosed in heavy brackets [] appears in the original patent but forms no part of this reissue specification; matter printed in italics indicates the additions made by reissue; a claim printed with strikethrough indicates that the claim was canceled, disclaimed, or held invalid by a prior post-patent action or proceeding.

This application is a reissue application of U.S. Pat. No. 8,789,223 B2, issued from U.S. application Ser. No. 12/907,139, filed on Oct. 19, 2010, which is a continuation of U.S. patent application Ser. No. 11/069,101 filed Mar. 1, 2005, now U.S. Pat. No. 7,818,838 which is a continuation of U.S. patent application Ser. No. 09/949,294 filed on Sep. 7, 2001, now U.S. Pat. No. 6,865,411 all of which are hereby incorporated herein by reference in their entirety.

BACKGROUND

The present invention concerns a patient positioning system for radiotherapy, or for radiation therapy or radio-surgery. In principle, the procedure within the framework of such radiation treatments is that radiation planning is undertaken first of all, wherein image recordings are taken of the patient or of the area of the patient around the radiation target, for example computer tomography recordings. The treatment target is registered via known marking systems. In accordance with the present standard, the patient is then taken off the bed at the image-generating device, and goes independently to the radiotherapy room in order to lie down there on another bed at the radiotherapy apparatus. Here, one attempts via a tracking system to determine the current position of the radiation target, using the position of the markings arranged on the patient, and/or to position the patient by means of a tracking system, such that the treatment target lies in the isocenter of the radiotherapy apparatus. Typically, the image data for planning are not recorded on the same day as treatment takes place.

This approach involves a great disadvantage, alone because of the movement of the patient between the two patient beds. Markings which are mostly arranged on the patient's skin shift during this relocation, in relation to each other and to the radiation target point. Positioning for radiation exposure on the radiotherapy apparatus, and therefore the radiotherapy itself, thus becomes imprecise, which possibly brings the success of the treatment at least partly into question.

A similar problem arises if the position of the radiation target is dependent on the respective breathing state of the patient. If the patient's planning data set, for example, was recorded while the patient was holding his breath, this data set represents the patient and the position of the target volume at a specific lung filling. In order to be able to transfer these data to the state of the patient at the time of radiation exposure, the lung filling would have to exactly correspond at the two points in time. If the patient is able to breathe freely during radiation exposure, this is at most the case at two points in time per breath. Moreover, the breathing drift, being a shift of the underlying lung volume over medium periods of time, will present a problem.

Here too, the problem arises of the transferability of the 3D planning data set to the state of the patient at the time of radiation exposure.

Previous approaches for solving the above latter-mentioned problem have made use of the fact that a patient's breathing may be tracked by observing the outer contour of the thorax and abdomen. If markings are arranged on the patient's skin, these can then be correlated with the position of inner target volumes. However, if the patient is relocated after the image-generating examination (for example CT, MR, SPECT, PET) has been carried out—wherein the patient typically has to get up, walk to the radiotherapy room, and there lie down on another bed—then the sebaceous layers of the patient again slip here, and therefore also the markings arranged on them. This in turn results on the one hand in an inaccurate position of the patient co-ordinate system, as well as to a clear distortion of a possibly previously determined correlation between the breath-dependent position of the target volume and the external markings. For this reason, in accordance with a known approach to solving this problem, correlation is carried out directly, on the radiotherapy apparatus table. This in turn is disadvantageous, because the image-generating methods usable are either of a lower quality compared to the devices described above, or require a high level of investment, since either the therapy device or the image-generating device may be used, but not both at the same time.

SUMMARY OF THE INVENTION

It is the object of the invention to solve the problems cited above. This is solved in accordance with the invention by a device as set forth in the enclosed claim 1 and is based on the one hand on using the same patient bed for positioning the patient on the image-generating device, and for radiation exposure. In other words, the patient can remain lying on one bed, and is taken together with the bed from the planning system to the radiotherapy apparatus. In this way alone, the shifts in an immobilized patient resulting from relocation are considerably reduced. Furthermore, the advantageous accuracy of the system in accordance with the invention is also based on providing a reference means on the transportable patient bed with which the position of the immobilized patient, or of one or more marked reference points on the surface of the patient's body, may be determined with respect to a point fixed on the patient bed. Using this reference means provides an additional fixed reference point near the target volume defined by the markings on the patient and which is very helpful as a fixed positioning quantity, and in particular when a radiation target volume alters its position with the patient's breathing. In previous methods, in which only the position of the patient markings has been used for breath-dependent radiation exposure, an external reference has been lacking which for example would recognize a drift, i.e. a shift in the underlying lung volume. In addition to the unstable relationship between the patient markers and the target volume mentioned above, this could lead to inaccuracies in radiation exposure. Through lack of an external reference, which allows an absolute lung filling co-efficient to be determined, it has accordingly not been possible so far during treatment to allocate triggered image recordings to a defined breathing state.

The fact that such a reference means is now provided on the patient bed in accordance with the invention makes it possible to produce "absolute" patient marker positions, so to speak, with respect to the reference means fixed to the bed. In this way, any shifts in the patient markings between one another, but also with respect to the patient bed system, may be identified and corrected, or considered as to whether these have arisen because the patient has moved, or from

breathing movement. Image recordings triggered relative to an absolute lung filling value enable radiation exposure triggered in the course of the treatment with substantially greater precision, i.e. radiation exposure only takes place when the target volume is located at a specified place. In this sense, the present invention helps to avoid positioning errors and to accurately take into account the shifting of organs due to breathing and therefore also allows much more precise and effective radiation exposure than is currently possible in accordance with the prior art.

In a preferred embodiment of the device in accordance with the invention, the device—as already indicated above—comprises a tracking system which can detect both the positions of markings arranged on the patient as well as those of the reference means, in particular of a reference star fitted with an arrangement of markers, on the bed. It should also be stated in particular in this respect that such a reference star, which may for example comprise an arrangement of three infrared reflecting markers, can be observed together with the patient markings during the tomographic imaging (CT) inside the tomography room, so that triggered recordings are possible which then later allow triggered radiation exposure when the patient markers and the markers on the reference star are in a defined relationship, namely +/- a permitted tolerance range around their position (relative to the reference means), during the tomographic imaging. Also conceivable here, as an extension, is taking various planning image recording sets of the same area for a number of defined states (distance ratios) of patient markers and reference markers on the bed, and thus analyzing the movement of the target point. The “beam-on range”, i.e. the period during which the treatment beam is switched on in the treatment, can then be individually defined for the predetermined marker relationship above. Thus, a complete set of starting points is already available during image recording, i.e. during planning.

In order to be able to implement the invented system, however, it is possibly disadvantageous to only use conventional devices corresponding to the prior art. For this reason, the present invention comprises a new type of patient bed, whose use is itself only possible in conjunction with a new type of angle-adjusting device for positioning the patient during radiation exposure.

The device in accordance with the invention advantageously comprises one or more of the following immobilization means for immobilizing the patient on the patient bed:

- vacuum foils with corresponding vacuum pumps
- elastic bands or foils stretched over the patient
- vacuum cushions specially fitted to the patient's form
- thermoplastic body masks specially fitted to the patient's form

- form cushions or form blocks fitted to the patient's form

A device in accordance with the invention for positioning the patient within the framework of treatment planning using image detection and/or performing a radiotherapy treatment, comprising a patient bed on which the patient is positioned, in particular a device as described above, can include an adjusting device with which the patient bed can be rotated about at least two axes, and which is arranged between the patient bed and a supporting device for the patient bed, in particular a planning couch or a treatment table. This tackles the problem that in most cases of image detection and patient irradiation, the angle of rotation about the longitudinal axis of the body and the horizontal lateral axis are not identical in this respect. Therefore, the path which the beam takes to reach the treatment target is in most cases not identical with the path determined during the planning for radiation expo-

sure treatment as the optimum treatment. Stereotactic radio-surgery pre-supposes the possibility of being able to irradiate a specified target area within the patient's body from a specified direction. However, due to the limited rigidity of the tables of linear accelerators and similar radiosurgical and radiotherapeutic systems, it is often the case that the part of the body to be treated, or the entire patient, experiences an angular rotation after having been fixed on the treatment unit, which accordingly has to be corrected. In order to carry out this correction, systems are used in the prior art, in which the head of the patient can be turned laterally or longitudinally within a specified angular range.

Such a patient table system with an adjusting device in accordance with the prior art is shown schematically in FIG. 10. The adjusting device C is fixed to the treatment bed B of the therapy device and receives the head by means of a mask or screw ring system D. In order to achieve the necessary rigidity, these adjusting mechanisms are heavy and relatively large. In order to take the forces and momenta out of their own weight and the weight of the patient's head and to be able to transfer these to the treatment bed, it is necessary to provide relatively solid and heavy absorbing devices on the patient table. However, these absorbing devices are problematic, inasmuch as they cannot be as radioparent as a simple, continuous (carbon) bed. An additional problem is the size of the devices, which significantly increases the risk of collision between the bed and the part of the radiation exposure unit being moved and makes the transport of the bed considerably more difficult. Moreover, the angular adjustment cannot be used for extra-cranial radiation exposure, and it is precisely this deficiency which is a substantial disadvantage due to the recently achieved advancements in the field of extra-cranial radiotherapy.

The device described above solves this problem through by arranging the adjusting device between the patient bed and the supporting unit for the patient bed, i.e. for example the CT couch or the treatment table. In this way, the angular adjustment can be made for all parts of the patient's body, and the adjusting device is no longer in the way during recording, and is no longer a disturbance to the radiotherapy apparatus.

Combination with a detection system (tracking system 51) is possible.

The adjusting device can enable the patient bed to turn independently about at least one axis laterally and one axis longitudinally to the bed. It preferably consists of a base plate and a cover plate which are movably linked together via a three-point or four-point bearing. It is possible in this connection to design the adjusting device in such a way that it comprises at least two supports which are constructed as height adjustable, pneumatic, hydraulic, piezoelectric or electromechanical supports, adjustable directly or by means of a lever system.

The adjusting device preferably comprises a front, head-end support and a rear, foot-end support, wherein at least one of the supports is constructed as a ball joint or as a universal joint. The front or rear support can in this respect comprise toggle levers with ball joints on both sides.

In an arrangement of the device in accordance with the invention, the bearing of the cover plate on the base plate includes a shaft-groove joint with two translatory and two rotatory degrees of freedom, which prevents the cover plate from shifting laterally with respect to the base plate. On the one hand, the device can comprise adjusting means which cause the bed to rotate about its longitudinal axis by counter-adjusting two head-end or foot-end supports, on the other hand the adjusting means can cause the bed to rotate about

5

its lateral axis by synchronously adjusting one or two head-end or foot-end supports. Both, of course, can be realized. The adjusting means can similarly cause the bed to rotate about its lateral axis by simultaneously adjusting at least one head-end and at least one foot-end support.

Attention must be paid to the adjusting speed, especially when using toggle levers. In one embodiment, the device therefore comprises adjusting means which cause the bed to rotate about its lateral axis by purposefully setting the adjusting speed of at least one head-end and at least one foot-end support, wherein the position of the apparent axis of rotation may be placed in a desired position. The device can further comprise adjusting means which cause the bed to rotate about its longitudinal axis by purposefully setting the adjusting speed of at least two supports, whereby the position of the apparent axis of rotation can be placed in a desired position.

Furthermore, a device is provided in accordance with the invention for positioning the patient within the framework of treatment planning using image detection and/or of carrying out radiation planning, using a patient bed on which a patient is positioned, in particular a device as described above, said device including a transport device, in particular a transport trolley for transporting the bed with the patient lying on it. Such a transport device can optimally supplement the advantageous embodiments of patient positioning as already described above, whereby in a preferred arrangement two latching mechanisms are provided for connecting the patient bed and transport trolley, for attaching the patient bed to a table of a treatment system and to a couch of an imaging planning system. The bed may on the one hand be attached to and detached from the table of a radiotherapy apparatus or the couch of the planning system by adjusting the height of the table or couch; on the other hand, there is also the possibility of realizing this by adjusting the height of the transport device.

The invention further provides a method of treatment planning using image detection and/or carrying out a radiation treatment. In this method, the patient is positioned on a patient bed, the same patient bed being used both on a planning couch for image detection within the framework of treatment planning, and also on a radiotherapy table, and the position of the immobilized patient or of a marked radiation target is determined with respect to the patient bed via a reference means which is securely provided on the patient bed. Of course, the method in accordance with the invention also has the advantages over the prior art by way of the device, as already described previously.

In particular, in a method in accordance with the present invention, the bed on which the patient is lying is removed from the planning couch, transported to the radiotherapy apparatus and there re-attached. A tracking system 51 on the imaging device may detect and/or be adjusted to both the position of markings attached to the patient as well as the reference markings on the bed, and can be adjusted in accordance with these. The patient is preferably secured on the bed in such a way that he can neither shift relative to the bed, nor change the position of the parts of his body with respect to one another.

If the method in accordance with the invention is used for breath-synchronized radiation exposure, the secured patient is fitted with external markings, wherein it is verified by way of the position of these markings relative to the reference means that the patient held his breath while the planning data were recorded.

In accordance with a further arrangement of the method in accordance with the invention, the position of patient mark-

6

ings relative to the reference means is determined, and where it corresponds with pre-set figures including tolerances, image recording is started or stopped when the patient holds his breath, starts breathing again, has reached a specified lung filling or exceeds a specified lung filling in a given breath phase (for example, during breathing in or breathing out). Furthermore, it is possible to irradiate the patient only at those times at which the position of patient markings relative to the position of the reference means securely attached to the bed lies within a defined tolerance range about the relative position which obtains while a planning data set is being recorded (triggered radiation exposure).

BRIEF DESCRIPTION OF THE DRAWINGS

The invention will now be described in more detail by way of preferred embodiments. The enclosed drawings show:

[FIG. 1] FIG. 1A a patient [table—patient] positioning device with a bed system [with] and an adjusting device in accordance with [the present invention,] an embodiment on an associated patient couch in an oblique view in an image detection system, and FIG. 1B the patient positioning system of FIG. 1A on an associated patient table in a side view as it is being used for radiation exposure;

[FIG. 2] FIGS. 2A and 2B an adjusting device in accordance with the invention, in an upper and lateral sectional view;

FIG. 3 a rear bearing of the adjusting device, in a lateral, enlarged view;

FIG. 4 a frontal view of an embodiment variant of the adjusting device, comprising two toggle levers and an additional guide joint;

[FIG. 5] FIGS. 5A and 5B Sectional side views illustrating a way for the toggle levers of the adjusting device to adjust;

FIG. 6 a frontal view of the adjusting device showing the counter-adjustment of two toggle levers;

FIG. 7 an embodiment variant of a self-supporting carbon bed on the couch of a conventional linear accelerator;

[FIG. 8] FIGS. 8A and 8B an embodiment of a transport system for a patient bed;

[FIG. 9] FIGS. 9A and 9B an embodiment of a mechanism for latching and releasing the bed on the adjusting device or directly on the couch; and

FIG. 10 a schematic diagram of a patient table—patient bed system with an adjusting device in accordance with the prior art.

DETAILED DESCRIPTION

[FIG. 1 shows] FIGS. 1A and 1B show a patient table—patient bed system with an adjusting device in accordance with the present invention, in an oblique view in an image detection system (planning), and in a side view as it is being used, for example, in radiation therapy under a LINAC (Linear ACcelerator). The upper oblique view (in the planning step) shows: a planning system consisting of a patient couch 8 and an imaging device 2, for example a CT device; and a schematically illustrated latching mechanism 7, with which a patient bed 3 can be fixed to the couch 8. In the lower diagram, the bed 3 for radiation exposure is placed on a patient table 1, and an adjusting device 6 is inserted between a further latching mechanism 4 on the patient table 1 and the patient bed 3.

Instead of the hitherto usual arrangement sequence of the connecting structure: table (A)—bed (B)—adjusting mecha-

nism (C) (see FIG. 10), the connecting structure: table (1, 8)—adjusting mechanism (6)—bed (3) is implemented. Accordingly, the angular correction can also be used for treatment outside of the head area. The second advantage of this procedure is that the bed 3 on which the patient is lying can be constructed throughout from highly radioparent carbon material, even in the neck area; reinforcements, support points and screw points on the patient bed 3 are dropped completely.

Since the system portrayed here is also intended for rigging already existing radiotherapy systems, it is particularly important that the adjusting device 6 can be integrated into a considerably restricted building space. This requirement, however, cannot be realized with conventional systems having two axes of rotation. The system invented therefore uses a special suspension in the adjusting device, a preferred embodiment being described in the following by way of [FIG. 2] FIGS. 2A and 2B.

[FIG. 2 shows] FIGS. 2A and 2B show an adjusting device 6 in accordance with the invention, in an upper and lateral sectional view. It comprises a base plate 10 and a cover plate 12. The connection between the base plate 10 on the table of the treatment device and the cover plate 12 on which the (carbon) bed 3 is fixed, is realized by a three-point bearing 15, 16, 17, supplemented by an additional lateral guide joint 14. The rear bearing 15 (approximately at the level of the patient's feet) is a ball joint bearing with three rotatory and no translatory degrees of freedom. This is again shown enlarged in FIG. 3. Alternatively, this bearing can be designed as a universal joint.

The front two supports 16, 17 consist of toggle levers which are fixed to the base plate 10 and cover plate 12 respectively with ball joints 18, 19, 20, 21, which can best be seen in the frontal view in FIG. 4.

The side guide joint 14 is located near the centre line between the two toggle levers, and comprises two rotatory and two translatory degrees of freedom. A preferred embodiment of this joint is a shaft 22 which is guided in a slot 23. Alternatively, this joint can also be omitted if a bearing with only two rotatory degrees of freedom is selected on the other side of the mechanism.

[FIG. 5 shows] FIGS. 5A and 5B show sectional side views which illustrate a way for the toggle levers 16, 17 of the adjusting device 6 to adjust, and FIG. 6 shows a frontal view of the adjusting device 6 showing counter-adjustment of two toggle levers 16, 17. The two toggle levers 16, 17 can be guided by electrocylinders (30) (each being a spindle-and-nut system), hydraulic cylinders or pneumatic cylinders.

If the two toggle levers 16, 17 are spread in the same direction, the bed 3 can be turned about an axis perpendicularly to the patient; if the toggle levers 16, 17 are spread in different directions, then rotation about an axis which is approximately parallel to the longitudinal axis of the patient may be realized.

In order to realize rotation about the main axes (the axis through the rear ball joint 15, perpendicular to the symmetry plane of the patient, and the axis parallel to the symmetry plane of the patient), it is necessary to alter the effective height of the toggle levers 16, 17 with an identical and/or reverse speed. Such a counter-adjustment leads, for example, to a state such as shown in FIG. 6. Since the toggle levers 16, 17 exhibit a path and power transmission which is dependent on the buckling angle, it is necessary to guide the toggle levers with different amounts of speeds, calculated depending on the buckling angle of the two toggle levers. If this is realized, then it is possible to turn the bed

3 about the longitudinal axis without changing the angle about the lateral axis or the height of bed 3.

Alternatively, the ball joint 15 can also be designed by a third toggle lever with a one-sided ball joint and a simple rotating bearing on the other side of said toggle lever (not shown). In such an embodiment, the third toggle lever is located in place of the ball joint bearing and is likewise fixed to the base plate and to the cover plate by ball joint bearings. With the aid of said third lever, it is additionally possible to turn the patient about a virtual lateral axis, whose position can be set by the ratio of the effective speeds of the single toggle lever in relation to the effective speed of the two toggle levers on the other side. In this way, it is possible to turn the patient lying on the bed about a specified point, preferably about the point to be treated. In the case of a linear accelerator, this is the isocenter.

FIG. 7 shows a possible embodiment of a patient bed 50 on the adjusting device 6. A head support 53 is shown which cannot be turned and can therefore be realized in very thin and therefore radioparent carbon. An end plate made of metal may be provided as 55, which can serve to fix the bed 50 to an adjusting device 52, or which can also be used to connect foot supports or similar additional devices to the bed 50. Infrared-reflecting markers are arranged on a reference star 54, which can be used as reference markings for markers located on the patient. A frame 56 integrated into the bed is substantially shorter than the actual bed and thereby does not extend into areas which are to be radioparent.

So that the position of the patient on the bed 50 during treatment is the same as that while the planning data set is being recorded, the patient is not allowed to move between these points of time. The bed is therefore preferably combined with a patient fixing system. Suitable for this, among other things, are:

- vacuum foils with corresponding vacuum pumps
- elastic bands or foils stretched over the patient
- vacuum cushions specially fitted to the patient's form
- thermoplastic body masks specially fitted to the patient's form

form cushions or form blocks fitted to the patient's form

The star 54 with the reference markers is securely connected to the bed 50. The patient's breathing changes the distance between the reference markers and possible markers on the patient's thorax. This distance is suitable for describing the patient's breathing. The correlation between this distance value and the position of internal organs of the patient is maintained when the bed 50 is transported, since both the reference markers and the patient are securely connected to the bed. A tracking system [(not shown)] 51 at the planning location (for example CT) and at the treatment location (LINAC) assists, for example, breath-controlled planning and radiation exposure (triggered CT recordings and triggered radiation exposure), wherein this is only possible because the above-mentioned correlation is maintained. In this respect, a certain tolerance range is also to be maintained. Similarly, the bed 50 is automatically positioned at the LINAC (computer-assisted via the tracking system 51 and the markers on the star 54 on the bed) only when the defined relationship has been reached. It is conceivable as an extension that various CT sets of the same area are recorded at several defined patient-fix-marker states, in order to provide several "starting points" as early as the CT. A physician can then analyze the movement of the target point, and a "beam-on range" during radiation exposure (permissible patient-fix-marker relationship for "beam-on") can be individually defined. In the case of CT planning, this method

is to stand only as one example of an imaging method. In principle, the use of other methods is possible, for example MR, SPECT, PET.

In order to be able to make good use of the advantages of a transportable patient bed, it is advantageous to have a device which allows the bed, together with the patient, to be transported from the imaging system to the treatment device. **[FIG. 8 shows] FIGS. 8A and 8B show** an embodiment of a transport system for a patient bed **42**. A transport trolley **41** holds the bed **42** in a broadly horizontal position. When the trolley **41** is moved over the table **44** of the treatment device or of the imaging system, the bed **42** can then be delivered onto the adjusting device **43**. The trolley **41** is fitted with side rollers **45** on the inner side of the two lower supports, such that the trolley **41** centers itself automatically with respect to the table **44**. The trolley **41** is fitted with side rollers **48** at the end facing away from the bed, so that it is possible to push doors open with the trolley **41**.

[FIG. 9 shows] FIGS. 9A and 9B show a possible embodiment of the mechanism for latching and releasing the bed on the adjusting device or directly on the couch. The essential advantage of this mechanism lies in the fact that no significant physical force need be applied, as the force is applied by the table. Both the tables from linear accelerators as well as those from MR and CT systems allow the height of the table to be adjusted. An end plate **70** (reference numeral **46** in FIG. 8), securely connected to the patient bed, is drawn upwards by the torque arising from the weight of the overhanging patient. A bolt **73** connecting the end plate **70** to the adjusting mechanism **[or] on** the couch **71** is thus constantly loaded with a lateral force. The bolt **73** is preferably constructed with an undercut (not visible in **[FIG. 9] FIGS. 9A or 9B**), such that it cannot be withdrawn when it is loaded with a force. A second bolt **74** is guided through the plate **[74] 72** connected to the transport means for the bed, into an elongated hole in the end plate **70**. As long as the bolt **73** is loaded, the bolt **74** is not loaded, and can therefore be changed without significant physical force. Position **1** shows the situation wherein the bed is connected to the adjusting mechanism (bolt **73** bearing the load).

If the transport system is then moved up to the bed, then moving the table up moves the bed and the adjusting device upwards, and therefore the plates **70** and **71**, until the bolt **74** meets at the lower end of the elongated hole, and from then on absorbs the flow of force. If the table is moved a further few millimeters upwards, then the bolt **73** is completely released from the load and may be withdrawn by hand. The bed is detached via the latching mechanism in the reverse of this sequence.

What is claimed is:

1. A patient positioning device **[for treatment planning and/or carrying out radiation treatment,]** comprising:

a patient bed on which a patient can lay $[\cdot]$; and
an adjusting device that supports the patient bed *relative to an associated patient couch or table* for rotational movement about two axes, the adjusting device **[including] comprising:**

a horizontal base plate connected **[to a]** *with the associated patient couch or table,*

a horizontal cover plate connected **[to]** *with the patient bed, and*

a three-point bearing support with one point being a **[ball] first joint** located along a center longitudinal axis and the other two points being adjustable joints that are spaced apart from the **[ball] first joint** and are

vertically **[height] adjustable** to vary **[the] a** pitch and roll of the patient *bed relative to the associated patient couch or table,*

wherein the **[ball] first joint** and the adjustable joints are connected directly to the base plate and the horizontal cover plate, and *each of the two* adjustable joints **[are configured to transform] comprises a toggle lever that comprises a first link member pivotally connected with the base plate and a second link member pivotally connected with the cover plate wherein the first and second link members are mutually pivotally connected at a toggle lever joint, the toggle levers of each of the two adjustable joints transforming a horizontal [activation-movement] activation movement acting on the toggle lever joint to a vertical movement of the cover plate relative to the lower plate for varying the pitch and roll of the patient bed relative to the associated patient couch or table.**

2. The device of claim **1**, wherein the **[adjusting device] associated patient couch or table** is arranged **[between the patient bed and a supporting device beneath] to support the patient bed,** and the horizontal base plate and the horizontal cover plate are movably linked together via the three point bearing support $[\cdot]$.

3. The device of claim **2**, wherein the adjusting device **[includes] comprises** a guide slot and **[follower] a shaft** guided in the *guide* slot to provide two translatory and two rotatory degrees of freedom with respect to one another while preventing the patient bed from shifting laterally with respect to the **[supporting device] associated patient couch or table.**

4. The device as set forth in claim **1**, *further comprising:* a position tracking system that can detect **[the] positions** of markings arranged on at least one of a patient supported on the patient **[bed and] bed,** a reference device attached to the patient bed, *or a patient supported on the patient bed and a reference device attached to the patient bed.*

5. The device as set forth in claim **1**, wherein **[the] axes of the pitch and roll of the patient bed relative to the associated patient couch or table** are orthogonal and respectively extend longitudinally and laterally with respect to the patient bed.

6. The device as set forth in claim **1**, wherein the adjustable joints are height adjustable pneumatically, hydraulically, piezoelectrically or electromechanically.

7. The device as set forth in claim **1**, wherein the **[adjustable joints each include] first joint comprises a third toggle lever.**

8. The device as set forth in claim **1**, *further comprising* an adjustment controller that controls the adjustable joints for rotating the patient bed about **[its] lateral and longitudinal axes of the patient bed.**

9. *The device according to claim 1, wherein the first joint comprises a ball joint.*

10. *An adjusting device for positioning an associated patient bed relative to an associated patient couch or table, the adjusting device comprising:*

a horizontal base plate adapted to engage the associated patient couch or table;

a horizontal cover plate operatively coupled with the associated patient bed; and

a three-point bearing support comprising a first joint and second and third adjustable joints, the first joint being located along a center longitudinal axis of the adjusting device and the second and third adjustable joints being spaced apart from the first joint, and the second

11

and third adjustable joints being vertically adjustable to vary a pitch and a roll of the associated patient bed relative to the associated patient couch or table, wherein the first joint and the second and third adjustable joints are operatively connected with the base plate and the horizontal cover plate, 5
 wherein the second and third adjustable joints each comprises a toggle lever that comprises a first link member pivotally connected with the base plate and a second link member pivotally connected with the cover plate wherein the first and second link members are mutually pivotally connected at a toggle lever joint, the toggle levers of each of the two adjustable joints transforming a horizontal activation movement acting on the toggle lever joint to a vertical movement of the cover plate relative to the lower plate for varying the pitch and roll of the patient bed relative to the associated patient couch or table. 15

12

11. The adjusting device according to claim 10, further comprising:

a releasing mechanism configured to enable releasable positioning of the associated patient bed in relation to the associated patient couch or table, and to enable securing the associated patient bed in relation to the cover plate and base plate such that the adjusting device can vary the pitch and roll of the associated patient bed relative to the associated patient couch or table, the releasing mechanism allowing the associated patient bed to be moved from the associated patient couch for planning a treatment to the associated patient table for the treatment.

12. The adjusting device according to claim 10, wherein the first joint comprises a ball joint.

* * * * *