



US00RE47573E

(19) **United States**
(12) **Reissued Patent**
Hon

(10) **Patent Number:** **US RE47,573 E**
(45) **Date of Reissued Patent:** **Aug. 20, 2019**

(54) **ELECTRONIC CIGARETTE**

H05B 1/0202 (2013.01); *H05B 1/0244*
(2013.01); *H05B 3/0014* (2013.01)

(71) Applicant: **FONTEM HOLDINGS 1 B.V.**,
Amsterdam (NL)

(58) **Field of Classification Search**
CPC A61M 15/06
See application file for complete search history.

(72) Inventor: **Lik Hon**, Beijing (CN)

(56) **References Cited**

(73) Assignee: **FONTEM HOLDINGS 1 B.V.**,
Amsterdam (NL)

U.S. PATENT DOCUMENTS

(21) Appl. No.: **15/080,341**

705,919 A 7/1902 Gill
1,147,416 A 7/1915 MacDonald
(Continued)

(22) Filed: **Mar. 24, 2016**

Related U.S. Patent Documents

FOREIGN PATENT DOCUMENTS

Reissue of:

(64) Patent No.: **8,910,641**
Issued: **Dec. 16, 2014**
Appl. No.: **13/921,582**
Filed: **Jun. 19, 2013**

CA 2562581 A1 10/2005
CN 89207339.X 5/1989
(Continued)

U.S. Applications:

(60) Continuation of application No. 13/088,276, filed on
Apr. 15, 2011, now Pat. No. 8,511,318, which is a
(Continued)

OTHER PUBLICATIONS

Australian Patent Office, "Examination Report for Singapore Patent
Application No. 200505930-8", dated May 4, 2006, 3 pages.
(Continued)

(30) **Foreign Application Priority Data**

Primary Examiner — Terrence R Till
(74) *Attorney, Agent, or Firm* — Perkins Coie LLP;
Kenneth H. Ohriner

Apr. 29, 2003 (CN) 03 1 11582
Mar. 8, 2004 (WO) PCTCN2004000182

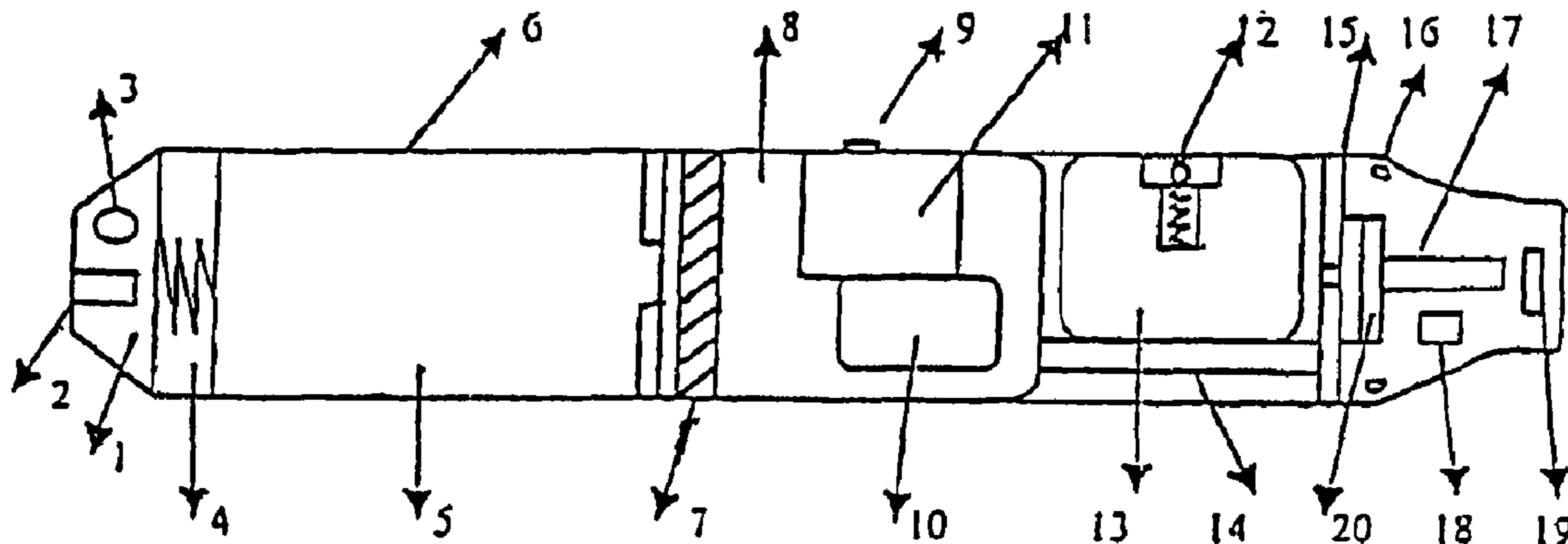
(57) **ABSTRACT**

(51) **Int. Cl.**
A61K 9/00 (2006.01)
H02J 7/00 (2006.01)
(Continued)

An electronic cigarette comprises nicotine without harmful tar. The cigarette includes a shell, a cell, nicotine solution, control circuit, and an electro-thermal vaporization nozzle installed in the air suction end of the shell. The advantages of the present invention are smoking without tar, reducing the risk of cancer, the user still gets a smoking experience, the cigarette is not lit, and there is no fire danger.

(52) **U.S. Cl.**
CPC *A24F 47/002* (2013.01); *A24B 15/167*
(2016.11); *A24F 47/008* (2013.01); *A61K*
9/007 (2013.01); *H02J 7/0045* (2013.01);

18 Claims, 6 Drawing Sheets



Related U.S. Application Data

division of application No. 10/547,244, filed on Feb. 27, 2006, now abandoned.

(51) **Int. Cl.**

- H05B 1/02* (2006.01)
- H05B 3/00* (2006.01)
- A24B 15/16* (2006.01)
- A24F 47/00* (2006.01)

(56)

References Cited

U.S. PATENT DOCUMENTS

1,775,947 A	9/1930	Robinson	5,708,258 A	1/1998	Counts
2,057,353 A	10/1936	Whittemore	5,730,158 A	3/1998	Collins et al.
2,516,843 A	8/1950	Bakst	5,743,251 A	4/1998	Howell et al.
2,545,851 A	3/1951	Kardos	5,746,251 A	5/1998	Bullard
2,631,219 A	3/1953	Suchy	5,750,964 A	5/1998	Counts
2,696,382 A	12/1954	Gelardin	5,799,663 A	9/1998	Gross et al.
3,200,819 A	8/1965	Gilbert	5,819,756 A	10/1998	Mielordt
3,281,637 A	10/1966	Hultquist	5,865,185 A	2/1999	Collins
3,340,647 A	9/1967	Lathrop	5,878,752 A	3/1999	Adams et al.
3,479,561 A	11/1969	Janning	5,880,439 A	3/1999	Deevi
3,551,643 A	12/1970	Pricenski et al.	5,894,841 A	4/1999	Voges
3,719,795 A	3/1973	Bolomier	5,902,501 A	5/1999	Nunnally
3,789,840 A	2/1974	Rosenblatt	5,924,784 A	7/1999	Chliwnyj et al.
3,832,579 A	8/1974	Arndt	5,934,289 A	8/1999	Watkins
4,171,000 A	10/1979	Uhle	5,954,979 A	9/1999	Counts
4,207,457 A	6/1980	Haglund et al.	6,016,038 A	1/2000	Mueller et al.
4,228,925 A	10/1980	Mendelovich	6,040,560 A	3/2000	Fleischhauer et al.
4,446,862 A	5/1984	Baum et al.	6,041,789 A	3/2000	Bankert et al.
4,574,181 A	3/1986	Spector	6,095,153 A	8/2000	Kessler et al.
4,641,053 A	2/1987	Takeda	6,116,237 A	9/2000	Schultz et al.
4,692,590 A	9/1987	Spector	6,155,268 A	12/2000	Takeuchi
4,735,217 A	4/1988	Gerth et al.	6,164,287 A	12/2000	White
4,756,318 A	7/1988	Clearman et al.	6,175,687 B1	1/2001	Imamura
4,771,796 A	9/1988	Myer	6,178,969 B1	1/2001	St. Charles
4,819,665 A	4/1989	Roberts et al.	6,196,218 B1	3/2001	Voges
4,848,374 A	7/1989	Chard et al.	6,211,626 B1	4/2001	Lys et al.
4,878,107 A	10/1989	Hopper	6,234,167 B1	5/2001	Cox et al.
4,922,901 A	5/1990	Brooks et al.	6,354,293 B1	3/2002	Madison
4,945,929 A	8/1990	Egilmex	6,357,671 B1	3/2002	Cewers
4,945,931 A	8/1990	Gori	6,443,146 B1	9/2002	Voges
4,947,874 A	8/1990	Brooks et al.	6,459,919 B1	10/2002	Lys et al.
4,947,875 A	8/1990	Brooks et al.	6,491,516 B1	12/2002	Tal et al.
5,038,394 A	8/1991	Hasegawa	6,501,052 B2	12/2002	Cox et al.
5,042,470 A	8/1991	Kanesaka	6,532,965 B1	3/2003	Abhulimen et al.
5,060,671 A	10/1991	Counts et al.	6,557,552 B1	5/2003	Cox et al.
5,080,114 A	1/1992	Rudolph et al.	6,598,602 B1	7/2003	Sjoholm
5,095,921 A	3/1992	Losee et al.	6,598,607 B2	7/2003	Adiga
5,144,962 A	9/1992	Counts et al.	6,601,776 B1	8/2003	Oljaca et al.
5,159,940 A	11/1992	Hayward et al.	6,715,494 B1	4/2004	McCoy
5,177,424 A	1/1993	Connors	6,719,443 B2	4/2004	Gutstein et al.
5,190,060 A	3/1993	Gerding et al.	6,772,756 B2	8/2004	Shayan
5,224,498 A	7/1993	Deevi et al.	6,794,613 B1	9/2004	Krumholz
5,235,157 A	8/1993	Blackburn	6,803,545 B2	10/2004	Blake et al.
5,249,586 A	10/1993	Morgan et al.	6,810,883 B2	11/2004	Felter et al.
5,261,424 A	11/1993	Sprinkel, Jr.	6,854,461 B2	2/2005	Nichols et al.
5,261,601 A	11/1993	Ross	6,854,470 B1	2/2005	Pu
5,269,327 A	12/1993	Counts et al.	7,100,618 B2	9/2006	Dominguez
5,285,050 A	2/1994	Blackburn	7,131,599 B2	11/2006	Katase
5,285,798 A	2/1994	Banerjee et al.	7,300,178 B2	11/2007	Helou
5,322,075 A	6/1994	Deevi et al.	7,726,320 B2	6/2010	Robinson et al.
5,388,574 A	2/1995	Ingebretsen	7,832,410 B2	11/2010	Hon
5,388,594 A	2/1995	Counts et al.	7,845,359 B2	12/2010	Montaser
5,438,978 A	8/1995	Hardester, III	7,997,280 B2	8/2011	Rosenthal
5,497,791 A	3/1996	Bowen et al.	8,899,239 B2	12/2014	Hon
5,498,855 A	3/1996	Deevi	8,910,641 B2	12/2014	Hon
5,505,214 A	4/1996	Collins et al.	9,364,027 B2	6/2016	Hon
5,530,225 A	6/1996	Hajaligol	9,456,632 B2	6/2016	Hon
5,591,368 A	1/1997	Fleischhauer et al.	9,713,346 B2	7/2017	Hon
5,665,262 A	9/1997	Hajaligol	10,123,569 B2	11/2018	Hon
5,666,977 A	9/1997	Higgins et al.	2002/0078948 A1	6/2002	Hindle
5,666,978 A	9/1997	Counts et al.	2003/0011579 A1	1/2003	Gong
5,692,291 A	12/1997	Deevi	2003/0108342 A1	6/2003	Sherwood et al.
			2003/0189826 A1	10/2003	Yoon
			2003/0209531 A1	11/2003	Mattis
			2003/0213794 A1	11/2003	Krieger
			2003/0226837 A1	12/2003	Blake
			2004/0112893 A1	6/2004	Okuda
			2004/0129696 A1	7/2004	Doi
			2004/0149282 A1	8/2004	Hickle
			2004/0175521 A1*	9/2004	Nakamura 428/35.2
			2004/0182403 A1	9/2004	Andersson et al.
			2004/0261802 A1	12/2004	Griffin et al.
			2005/0016550 A1	1/2005	Katase
			2005/0077869 A1	4/2005	Yueh
			2005/0205559 A1	9/2005	Kikuchi
			2005/0236006 A1	10/2005	Cowan
			2006/0047368 A1	3/2006	Maharajh et al.
			2006/0196518 A1	9/2006	Hon
			2007/0267031 A1	11/2007	Hon

(56)

References Cited

U.S. PATENT DOCUMENTS

2008/0257367 A1 10/2008 Paterno
 2008/0276947 A1 11/2008 Martzel
 2009/0095311 A1 4/2009 Han
 2009/0126745 A1 5/2009 Hon
 2009/0151717 A1 6/2009 Bowen et al.
 2009/0188490 A1 7/2009 Han
 2009/0230117 A1 9/2009 Fernando et al.
 2009/0260642 A1 10/2009 Monsees et al.
 2009/0272379 A1 11/2009 Thorens et al.
 2010/0031968 A1 2/2010 Sheikh et al.
 2010/0126505 A1 5/2010 Rinker
 2010/0181387 A1 7/2010 Zaffaroni et al.
 2010/0200008 A1 8/2010 Taieb
 2010/0242974 A1 9/2010 Pan
 2010/0307518 A1 12/2010 Wang
 2011/0005535 A1 1/2011 Xiu
 2011/0036346 A1 2/2011 Cohen et al.
 2012/0111347 A1 5/2012 Hon
 2014/0261408 A1 9/2014 DePiano
 2015/0181943 A1 7/2015 Li
 2017/0049156 A1 2/2017 Wang

FOREIGN PATENT DOCUMENTS

CN 2047485 U 11/1989
 CN 1135860 11/1996
 CN 97216131 5/1997
 CN 97190727.7 6/1997
 CN 1196660 A 10/1998
 CN 2293957 Y 10/1998
 CN 97216131.7 10/1998
 CN 1233436 11/1999
 CN 1252961 A 5/2000
 CN 200420031182.0 4/2004
 CN 200410048792.6 6/2004
 CN 1530041 9/2004
 CN 1575673 A 2/2005
 CN 200520089947.0 3/2005
 CN 2719043 Y 8/2005
 CN 2777995 Y 5/2006
 CN 1284493 C 11/2006
 CN 20071121524 9/2007
 CN 200997909 Y 1/2008
 CN 101116542 A 2/2008
 CN 101176805 A 5/2008
 CN 201067079 Y 6/2008
 CN 201085044 Y 7/2008
 CN 201020546169.4 9/2010
 CN 201120050555.9 2/2011
 CN 201120066344.4 3/2011
 CN 201797997 U 4/2011
 CN 202026802 U 9/2011
 CN 202026804 U 9/2011
 CN 202026802 U 11/2011
 CN 202026804 U 11/2011
 DE 10051792 A1 5/2002
 EP 0057243 A1 8/1982
 EP 0230420 A1 8/1987
 EP 0295122 B1 12/1988
 EP 0342538 A 11/1989
 EP 0342538 A2 11/1989
 EP 0358002 A2 3/1990
 EP 0430559 6/1991
 EP 0295122 B1 1/1992
 EP 0545186 A2 6/1993
 EP 0703735 A1 4/1996
 EP 0824927 A2 2/1998
 EP 0845220 6/1998
 EP 0845220 A1 6/1998
 EP 0893071 A1 1/1999
 EP 0951219 A1 10/1999
 GB 588117 5/1947
 GB 1528391 A 10/1978
 JP 64-000498 U 1/1989
 JP 02-124082 A 5/1990

JP 06-114105 A 4/1994
 JP 07-506999 T 8/1995
 JP 09-075058 A 3/1997
 JP H9-326299 A 12/1997
 JP 2984657 4/1999
 JP 2001-291598 A 10/2001
 KR 20020067473 A 8/2002
 UA 47514 12/1997
 UA 47514 C2 7/2002
 UA 49831 5/2010
 WO WO-9409842 A1 5/1994
 WO WO-9421317 A1 9/1994
 WO WO-9740876 A2 11/1997
 WO WO-9748293 A1 12/1997
 WO WO1997048293 12/1997
 WO WO-9817130 A1 4/1998
 WO WO2000028843 5/2000
 WO WO-0049901 A2 8/2000
 WO WO-0050111 A1 8/2000
 WO WO2000049901 A2 8/2000
 WO WO2000050111 8/2000
 WO WO-0105459 A1 1/2001
 WO WO2001021319 A 3/2001
 WO WO2002098389 12/2002
 WO WO2003034847 1/2003
 WO WO-03022364 A1 2/2003
 WO WO2003016783 2/2003
 WO WO2003022364 A 3/2003
 WO WO-03034847 A1 5/2003
 WO WO-03055486 A1 7/2003
 WO WO2003055486 A 7/2003
 WO WO2003096761 11/2003
 WO WO-03101451 A1 12/2003
 WO WO-04001407 A1 12/2003
 WO WO2003101454 12/2003
 WO WO-2004023222 3/2004
 WO WO-2004080216 9/2004
 WO WO2004080216 A1 9/2004
 WO WO2004095955 A1 11/2004
 WO WO-2006082571 8/2006
 WO WO-2007078273 7/2007
 WO WO2007131450 11/2007
 WO WO-2008077271 7/2008
 WO WO-2008130813 10/2008
 WO WO-2009118085 10/2009
 WO WO-2009135729 11/2009
 WO WO-2010052323 5/2010
 WO WO-2010145468 12/2010
 WO WO-2010145805 12/2010
 WO WO-2011010334 1/2011
 WO WO-2011022431 2/2011

OTHER PUBLICATIONS

Australian Patent Office, "Examiner's First Report on Australian Patent Application No. 2004234199", dated Aug. 14, 2009, 3 pages.
 Canadian Intellectual Property Office, "Office Action for Canadian Patent Application No. 2,518,174", dated Apr. 14, 2010, 4 pages.
 Canadian Intellectual Property Office, "Office Action for Canadian Patent Application No. 2,752,134", dated Feb. 1, 2013, 3 pages.
 Canadian Intellectual Property Office, "Office Action for Canadian Patent Application No. 2,752,134", Dec. 12, 2013, 2 pages.
 Collins, John M., Expert Report—Invalidity (Excerpts), CV14-01645, Jun. 18, 2015.
 Collins, John M., Expert Report—Invalidity, CV14-01645-Appendix L-'239, Jun. 18, 2015.
 Collins, John M., Expert Report—Invalidity, CV14-01645-Appendix M-1-'641, Jun. 18, 2015.
 Collins, John M., Expert Report—Invalidity, CV14-01645-Appendix M-2-'641, Jun. 18, 2015.
 Collins, John M., Expert Report—Invalidity, CV14-01645-Appendix M-3-'641, Jun. 18, 2015.
 Collins, John M., Expert Report—Invalidity, CV14-01645-Appendix M-4-'641, Jun. 18, 2015.
 Eurasian Patent Office, "Translation of Office Action for Eurasian Patent Application No. 200501704", dated Mar. 16, 2007, 1 page.

(56)

References Cited

OTHER PUBLICATIONS

European Patent Office, “Supplementary European Search Report for European Patent Application No. 04718242”, dated Jul. 27, 2007, 3 pages.

European Patent Office, “Supplementary Partial European Search Report for European Patent Application No. 04718242”, dated May 22, 2007.

Government of India Patent Office, “First Examination Report for Indian Patent Application No. 3794/DELNP/2005”, dated Dec. 18, 2007, 2 pages.

Hewlett-Packard, Thermal Ink-Jet Print Cartridge Designers Guide (2nd Edition), available at least as early as Jan. 12, 1995.

Israel Patent Office, “Hebrew Language Office Action for Israeli Patent Application No. 170872”, dated May 22, 2008, 1 page.

ITC Limited, Application for Revocation of Indian Patent No. 228696, served on Applicant’s Indian Counsel May 26, 2016 (filed Jul. 27, 2015).

ITC Limited, Application for Revocation of Indian Patent No. 228696, Exhibit EA1—certified copy of impugned patent No. 228696, Jul. 27, 2015.

ITC Limited, Application for Revocation of Indian Patent No. 228696, Exhibit EA2—prosecution history of patent No. 228696, Jul. 27, 2015.

ITC Limited, Application for Revocation of Indian Patent No. 228696, Exhibit EA3—extract of register of patent No. 228696, Jul. 27, 2015.

ITC Limited, Application for Revocation of Indian Patent No. 228696, Exhibit EA4—U.S. Pat. No. 6,196,218, Jul. 27, 2015.

ITC Limited, Application for Revocation of Indian Patent No. 228696, Exhibit EA5—WO200121319, Jul. 27, 2015.

ITC Limited, Application for Revocation of Indian Patent No. 228696, Exhibit EA6—U.S. Pat. No. 3,832,579, Jul. 27, 2015.

ITC Limited, Application for Revocation of Indian Patent No. 228696, Exhibit EA7—U.S. Pat. No. 4,878,107, Jul. 27, 2015.

ITC Limited, Application for Revocation of Indian Patent No. 228696, Exhibit EA8—Form 3, Jul. 27, 2015.

ITC Limited, Application for Revocation of Indian Patent No. 228696, Exhibit EA9—Bibliographic details of corresponding PCT/CN2004/000182, Jul. 27, 2015.

ITC Limited, Application for Revocation of Indian Patent No. 228696, Exhibit EA10—INPADOC family status, Jul. 27, 2015.

ITC Limited, Application for Revocation of Indian Patent No. 228696, Exhibit EA11—pages from prosecution history of counterpart EP patent EP1618803, Jul. 27, 2015.

ITC Limited, Application for Revocation of Indian Patent No. 228696, Exhibit EA12—bibliographic details and legal status of the corresponding Korean Patent Application, Jul. 27, 2015.

Japanese Patent Office, “Office Action for Japanese Patent Application No. 2006-504199 with English translation”, dated Oct. 30, 2009, 12 pages.

Korean Intellectual Property Office, “Notice of Preliminary Rejection for Korean Patent Application No. 10-2005-7009767 with English translation”, dated Jul. 27, 2009, 13 pages.

Macau Patent Office, “Office Action and Search Report for Macau Patent Application No. I/121”, dated Apr. 17, 2009, 14 pages.

Malaysia Intellectual Property Office, “Examiner’s Report for Malaysian Patent Application No. PI20041407”, dated Sep. 28, 2007, 2 pages.

Mexican Institute of Intellectual Property, “Spanish Language Office Letter for Mexican Patent Application No. PA/a/2005/009191”, May 8, 2008, 2 pages.

NJOY, Inc. and related Defendants, Defendants’ Invalidation Contentions, filed in *Fontem v. NJOY, Inc.* Consolidated Case No. CV 14-01645 GW (CD Cal) and Related Consolidated Cases, Feb. 26, 2015.

NJOY, Inc. and related Defendants, Exhibit A to Defendants’ Invalidation Contentions—Invalidity Claim Chart for U.S. Pat. No. 8,910,641, Feb. 26, 2015.

NJOY, Inc. and related Defendants, Exhibit C to Defendants’ Invalidation Contentions—Invalidity Claim Chart for U.S. Pat. No. 8,899,239, Feb. 26, 2015.

NJOY, Inc. et al., Petition for Inter Partes Review of U.S. Pat. No. 8,899,239 - IPR2015-01304, May 29, 2015.

NJOY, Inc. et al., Petition for Inter Partes Review of U.S. Pat. No. 8,899,239 - IPR2015-01304, Ex. 1001, U.S. Pat. No. 8,899,239, May 29, 2015.

NJOY, Inc. et al., Petition for Inter Partes Review of U.S. Pat. No. 8,899,239 - IPR2015-01304, Ex. 1002, Declaration Dr. Samir Nayfeh, Ph.D. (“Nayfeh Decl.”), May 29, 2015.

NJOY, Inc. et al., Petition for Inter Partes Review of U.S. Pat. No. 8,899,239 - IPR2015-01304, Ex. 1003, Chinese Patent Publication No. 1233436A (“Hongbin”), May 29, 2015.

NJOY, Inc. et al., Petition for Inter Partes Review of U.S. Pat. No. 8,899,239 - IPR2015-01304, Ex. 1004, U.S. Pat. No. 5,819,756 (“Mielordt”), May 29, 2015.

NJOY, Inc. et al., Petition for Inter Partes Review of U.S. Pat. No. 8,899,239 - IPR2015-01304, Ex. 1005, U.S. Pat. No. 6,234,167 (“Cox”), May 29, 2015.

NJOY, Inc. et al., Petition for Inter Partes Review of U.S. Pat. No. 8,899,239 - IPR2015-01304, Ex. 1006, European Patent Publication No. 0845220 A1 (“Susa”), May 29, 2015.

NJOY, Inc. et al., Petition for Inter Partes Review of U.S. Pat. No. 8,899,239 - IPR2015-01304, Ex. 1007, U.S. Pat. No. 6,196,218 (“Voges”), May 29, 2015.

NJOY, Inc. et al., Petition for Inter Partes Review of U.S. Pat. No. 8,899,239 - IPR2015-01304, Ex. 1008, *Fontem Ventures, B.V., et al. v. NJOY, Inc. et al.*, Civ. No. 14-1645 Dkt. 133 (CD. Cal. May 7, 2015) (Markman Hearing/Claim Construction Order), May 29, 2015.

NJOY, Inc. et al., Petition for Inter Partes Review of U.S. Pat. No. 8,899,239 - IPR2015-01304, Ex. 1009, *Fontem Ventures, B.V., et al. v. NJOY, Inc. et al.*, Civ. No. 14-1645 Dkt. 65 (CD. Cal. Jan. 29, 2015) (Rulings on Claim Construction), May 29, 2015.

NJOY, Inc. et al., Petition for Inter Partes Review of U.S. Pat. No. 8,899,239 - IPR2015-01304, Ex. 1010, *Fontem Ventures, B.V., et al. v. NJOY, Inc. et al.*, Civ. No. 14-1645 Dkt. 93 (CD. Cal. Mar. 19, 2015) (Joint Claim Construction and Prehearing Statement), May 29, 2015.

NJOY, Inc. et al., Petition for Inter Partes Review of U.S. Pat. No. 8,899,239 - IPR2015-01304, Ex. 1011, *Fontem Ventures, B.V., et al. v. NJOY, Inc. et al.*, Civ. No. 14-1645 Dkt. 34 (CD. Cal. Sep. 30, 2014) (Revised Joint Claim Construction and Prehearing Statement), May 29, 2015.

NJOY, Inc. et al., Petition for Inter Partes Review of U.S. Pat. No. 8,899,239 - IPR2015-01304, Ex. 1012, Patent Owner’s Dictionary Definitions of “E-Cigarette” from related IPR proceedings, May 29, 2015).

NJOY, Inc. et al., Petition for Inter Partes Review of U.S. Pat. No. 8,899,239 - IPR2015-01304, Ex. 1013, *Fontem Ventures, B.V., et al. v. NJOY, Inc. et al.*, Civ. No. 14-1645 Dkt. 95 (CD. Cal. Apr. 9, 2015) (Defendant’s Opening Claim Construction Brief), May 29, 2015.

NJOY, Inc. et al., Petition for Inter Partes Review of U.S. Pat. No. 8,899,239 - IPR2015-01304, Ex. 1014, *Fontem Ventures, B.V., et al. v. NJOY, Inc. et al.*, Civ. No. 14-1645 Dkt. 116 (CD. Cal. Apr. 23, 2015) (Defendant’s Responsive Claim Construction Brief), May 29, 2015.

NJOY, Inc. et al., Petition for Inter Partes Review of U.S. Pat. No. 8,899,239 - IPR2015-01304, Ex. 1015, *Fontem Ventures, B.V., et al. v. NJOY, Inc. et al.*, Civ. No. 14-1645 Dkt. 117 (CD. Cal. Apr. 23, 2015) (Plaintiffs’ Responsive Claim Construction Brief), May 29, 2015.

NJOY, Inc. et al., Petition for Inter Partes Review of U.S. Pat. No. 8,899,239 - IPR2015-01304, Ex. 1016, *Fontem Ventures, B.V., et al. v. NJOY, Inc. et al.*, Civ. No. 14-1645 Dkt. 117-2 (CD. Cal. Apr. 23, 2015) (Plaintiffs’ Responsive Claim Construction Brief Exhibit 3), May 29, 2015.

NJOY, Inc. et al., Petition for Inter Partes Review of U.S. Pat. No. 8,899,239 - IPR2015-01304, Ex. 1017, *Fontem Ventures, B.V., et al.*

(56)

References Cited

OTHER PUBLICATIONS

v. *NJOY, Inc. et al.*, Civ. No. 14-1645 Dkt. 117-2 (CD. Cal. Apr. 23, 2015) (Plaintiffs' Responsive Claim Construction Brief Exhibit 4), May 29, 2015.

NJOY, Inc. et al., Petition for Inter Partes Review of U.S. Pat. No. 8,899,239 - IPR2015-01304, Ex. 1018, *Fontem Ventures, B.V., et al. v. NJOY, Inc. et al.*, Civ. No. 14/1645 Dkt. 117-2 (CD. Cal. Apr. 23, 2015) (Plaintiffs' Responsive Claim Construction Brief Exhibit 5), May 29, 2015.

NJOY, Inc. et al., Petition for Inter Partes Review of U.S. Pat. No. 8,899,239 - IPR2015-01304, Ex. 1019, Declaration of Saurabh Gupta from IPR2014-01289, May 29, 2015.

NJOY, Inc. et al., Petition for Inter Partes Review of U.S. Pat. No. 8,899,239 - IPR2015-01304, Ex. 1020, Curriculum Vitae of Dr. Samir Nayfeh, Ph.D., May 29, 2015.

NJOY, Inc. et al., Petition for Inter Partes Review of U.S. Pat. No. 8,899,239 - IPR2015-01304, Ex. 1021, Abstract of Title for U.S. Pat. No. 6,234,167 ("Cox"), May 29, 2015.

NJOY, Inc. et al., Petition for Inter Partes Review of U.S. Pat. No. 8,899,239 - IPR2015-01304, Ex. 1022, U.S. Pat. No. 5,666,977 ("Higgins"), May 29, 2015.

NJOY, Inc. et al., Petition for Inter Partes Review of U.S. Pat. No. 8,899,239 - IPR2015-01304, Ex. 1023, U.S. Pat. No. 6,155,268 ("Takeuchi"), May 29, 2015.

NJOY, Inc. et al., Petition for Inter Partes Review of U.S. Pat. No. 8,899,239 - IPR2015-01304, Ex. 1024, U.S. Pat. No. 5,505,214 ("Collins"), May 29, 2015.

NJOY, Inc. et al., Petition for Inter Partes Review of U.S. Pat. No. 8,899,239 - IPR2015-01304, Ex. 1025, U.S. Pat. No. 2,545,851 ("Kardos"), May 29, 2015.

NJOY, Inc. et al., Petition for Inter Partes Review of U.S. Pat. No. 8,899,239 - IPR2015-01304, Ex. 1026, U.S. Pat. No. 3,479,561 ("Janning"), May 29, 2015.

NJOY, Inc. et al., Petition for Inter Partes Review of U.S. Pat. No. 8,899,239 - IPR2015-01304, Ex. 1027, U.S. Pat. No. 4,771,796 ("Myer"), May 29, 2015.

NJOY, Inc. et al., Petition for Inter Partes Review of U.S. Pat. No. 8,899,239 - IPR2015-01304, Ex. 1028, U.S. Pat. No. 6,719,443 ("Gutstein"), May 29, 2015.

NJOY, Inc. et al., Petition for Inter Partes Review of U.S. Pat. No. 8,899,239 - IPR2015-01304, Ex. 1029, U.S. Pat. No. 5,388,574 ("Ingebrethsen"), May 29, 2015.

NJOY, Inc. et al., Petition for Inter Partes Review of U.S. Pat. No. 8,910,641 - IPR2015-01299, May 29, 2015.

NJOY, Inc. et al., Petition for Inter Partes Review of U.S. Pat. No. 8,910,641 - IPR2015-01299, Ex. 1001, U.S. Pat. No. 8,910,641 ("the '641 patent"), May 29, 2015.

NJOY, Inc. et al., Petition for Inter Partes Review of U.S. Pat. No. 8,910,641 - IPR2015-01299, Ex. 1002, Declaration Dr. Samir Nayfeh, Ph.D. ("Nayfeh Decl."), May 29, 2015.

NJOY, Inc. et al., Petition for Inter Partes Review of U.S. Pat. No. 8,910,641 - IPR2015-01299, Ex. 1003, U.S. Pat. No. 6,155,268 ("Takeuchi"), May 29, 2015.

NJOY, Inc. et al., Petition for Inter Partes Review of U.S. Pat. No. 8,910,641 - IPR2015-01299, Ex. 1004, U.S. Pat. No. 5,666,977 ("Higgins"), May 29, 2015.

NJOY, Inc. et al., Petition for Inter Partes Review of U.S. Pat. No. 8,910,641 - IPR2015-01299, Ex. 1005, U.S. Pat. No. 3,200,819 ("Gilbert"), May 29, 2015.

NJOY, Inc. et al., Petition for Inter Partes Review of U.S. Pat. No. 8,910,641 - IPR2015-01299, Ex. 1006, U.S. Pat. No. 5,388,574 ("Ingebrethsen"), May 29, 2015.

NJOY, Inc. et al., Petition for Inter Partes Review of U.S. Pat. No. 8,910,641 - IPR2015-01299, Ex. 1007, U.S. Pat. No. 4,207,457 ("Haglund"), May 29, 2015.

NJOY, Inc. et al., Petition for Inter Partes Review of U.S. Pat. No. 8,910,641 - IPR2015-01299, Ex. 1008, U.S. Pat. No. 5,743,251, May 29, 2015.

NJOY, Inc. et al., Petition for Inter Partes Review of U.S. Pat. No. 8,910,641 - IPR2015-01299, Ex. 1009, U.S. Publication No. 2015/0020825, May 29, 2015.

NJOY, Inc. et al., Petition for Inter Partes Review of U.S. Pat. No. 8,910,641 - IPR2015-01299, Ex. 1010, European Publication No. 0 845 220 A1 ("Susa"), May 29, 2015.

NJOY, Inc. et al., Petition for Inter Partes Review of U.S. Pat. No. 8,910,641 - IPR2015-01299, Ex. 1011, *Fontem Ventures, B.V., et al. v. NJOY, Inc. et al.*, Civ. No. 14-1645 Dkt. 133 (C.D. Cal. May 7, 2015) (Markman Hearing/Claim Construction Order), May 29, 2015.

NJOY, Inc. et al., Petition for Inter Partes Review of U.S. Pat. No. 8,910,641 - IPR2015-01299, Ex. 1012, *Fontem Ventures, B.V., et al. v. NJOY, Inc. et al.*, Civ. No. 14-1645 Dkt. 65 (C.D. Cal. Jan. 29, 2015) (Rulings on Claim Construction), May 29, 2015.

NJOY, Inc. et al., Petition for Inter Partes Review of U.S. Pat. No. 8,910,641 - IPR2015-01299, Ex. 1013, *Fontem Ventures, B.V., et al. v. NJOY, Inc. et al.*, Civ. No. 14-1645 Dkt. 93 (C.D. Cal. Mar. 19, 2015) (Joint Claim Construction and Prehearing Statement), May 29, 2015.

NJOY, Inc. et al., Petition for Inter Partes Review of U.S. Pat. No. 8,910,641 - IPR2015-01299, Ex. 1014, *Fontem Ventures, B.V., et al. v. NJOY, Inc. et al.*, Civ. No. 14-1645 Dkt. 34 (C.D. Cal. Sep. 30, 2014) (Revised Joint Claim Construction and Prehearing Statement), May 29, 2015.

NJOY, Inc. et al., Petition for Inter Partes Review of U.S. Pat. No. 8,910,641 - IPR2015-01299, Ex. 1015, Patent Owner's Dictionary Definitions of "E-Cigarette" from related IPR proceedings, May 29, 2015.

NJOY, Inc. et al., Petition for Inter Partes Review of U.S. Pat. No. 8,910,641 - IPR2015-01299, Ex. 1016, U.S. Pat. No. 6,196,218, May 29, 2015.

NJOY, Inc. et al., Petition for Inter Partes Review of U.S. Pat. No. 8,910,641 - IPR2015-01299, Ex. 1017, U.S. Pat. No. 5,144,962, May 29, 2015.

NJOY, Inc. et al., Petition for Inter Partes Review of U.S. Pat. No. 8,910,641 - IPR2015-01299, Ex. 1018, '641 Patent File History, Final Rejection (Aug. 28, 2014), May 29, 2015.

NJOY, Inc. et al., Petition for Inter Partes Review of U.S. Pat. No. 8,910,641 - IPR2015-01299, Ex. 1019, Curriculum Vitae of Dr. Samir Nayfeh, Ph.D., May 29, 2015.

NJOY, Inc. et al., Petition for Inter Partes Review of U.S. Pat. No. 8,910,641 - IPR2015-01299, Ex. 1020, Abstract of Title for U.S. Pat. No. 5,388,574, May 29, 2015.

Nu Mark LLC, Answer to Complaint and Counterclaims in *Fontem Ventures B.V. v. Nu Mark LLC*, 16-CV-2291, Dkt. 025, Jun. 27, 2016.

Nu Mark LLC, Answer to Complaint and Counterclaims in *Fontem Ventures B.V. v. Nu Mark LLC*, 16-CV-1259, Dkt. 034, Oct. 26, 2016.

Nu Mark LLC, First Amended Answer and Counterclaims in *Fontem Ventures B.V. v. Nu Mark LLC*, 16-CV-2291, Dkt. 042, Jul. 28, 2016.

Nu Mark LLC, Petition for Inter Partes Review of U.S. Pat. No. 9,364,027 - IPR2016-01668, Aug. 24, 2016.

Nu Mark LLC, Petition for Inter Partes Review of U.S. Pat. No. 9,364,027 - IPR2016-01668, Ex.1001 U.S. Pat. No. 9,364,027 (the "027 Patent"), Aug. 24, 2016.

Nu Mark LLC, Petition for Inter Partes Review of U.S. Pat. No. 9,364,027 - IPR2016-01668, Ex.1002 File History for U.S. Pat. No. 9,364,027, Aug. 24, 2016.

Nu Mark LLC, Petition for Inter Partes Review of U.S. Pat. No. 9,364,027 - IPR2016-01668, Ex.1003 Declaration of John M. Collins, Ph.D. , Aug. 24, 2016.

Nu Mark LLC, Petition for Inter Partes Review of U.S. Pat. No. 9,364,027 - IPR2016-01668, Ex.1004 Curriculum Vitae of Dr. John M. Collins, Aug. 24, 2016.

Nu Mark LLC, Petition for Inter Partes Review of U.S. Pat. No. 9364027 - IPR2016-01668, Ex.1005 U.S. Pat. App. Pub. No. 2006/0196518 A1 ("Hon 518"), Aug. 24, 2016.

Nu Mark LLC, Petition for Inter Partes Review of U.S. Pat. No. 9,364,027 - IPR2016-01668, Ex.1006 File History for App. No. 13/088,276 (issued as U.S. Pat. No. 8,511,318) , Aug. 24, 2016.

(56)

References Cited

OTHER PUBLICATIONS

Nu Mark LLC, Petition for Inter Partes Review of U.S. Pat. No. 9,364,027 - IPR2016-01668, Ex.1007 Blackline Specification filed in U.S. Appl. No. 10/547,244, filed Jan. 20, 2012, Aug. 24, 2016.

Nu Mark LLC, Petition for Inter Partes Review of U.S. Pat. No. 9,364,027 - IPR2016-01668, Ex.1008 Canadian Patent Appl. No. 2,752,134 (“Hon 134”) , Aug. 24, 2016.

Nu Mark LLC, Petition for Inter Partes Review of U.S. Pat. No. 9,364,027 - IPR2016-01668, Ex.1009 *Fontem Ventures, B.V., et al. v. NJOY, Inc. et al.*, Case 2:14-cv-01645-GW(MRWx), Dkt. 358 (C.D. Cal. Oct. 22, 2015) , Aug. 24, 2016.

Nu Mark LLC, Petition for Inter Partes Review of U.S. Pat. No. 9,36,027 - IPR2016-01668, Ex.1010 Originally filed Abstract, Specification, Drawings, and Claims of U.S. Appl. No. 10/547,244 (submitted Aug. 26, 2005) , filed Aug. 24, 2016.

Nu Mark LLC, Petition for Inter Partes Review of U.S. Pat. No. 9,364,027 - IPR2016-01668, Ex.1011 Certified Translation of WO 2004/095955, Aug. 24, 2016.

Nu Mark LLC, Petition for Inter Partes Review of U.S. Pat. No. 9,364,027 - IPR2016-01668, Ex.1012 U.S. Pat. No. 8,910,641, Aug. 24, 2016.

Nu Mark LLC, Petition for Inter Partes Review of U.S. Pat. No. 9,364,027 - IPR2016-01668, Ex.1013 Patent Owner Preliminary Response in IPR2015-01604, Aug. 24, 2016.

Nu Mark LLC, Petition for Inter Partes Review of U.S. Pat. No. 9,364,027 - IPR2016-01668, Ex.1014 Patent Owner Preliminary Response in IPR2015-01301, Aug. 24, 2016.

Nu Mark LLC, Petition for Inter Partes Review of U.S. Pat. No. 9,364,027 - IPR2016-01668, Ex.1015 Patent Owner Preliminary Response in IPR2015-01513, Aug. 24, 2016.

Nu Mark LLC, Petition for Inter Partes Review of U.S. Pat. No. 9,364,027 - IPR2016-01668, Ex.1016 Originally filed Abstract, Specification, Drawings, and Claims of U.S. Appl. No. 13/548,659, filed Aug. 24, 2016.

Nu Mark LLC, Petition for Inter Partes Review of U.S. Pat. No. 9,364,027 - IPR2016-01668, Ex.1017 Originally filed Abstract, Specification, Drawings, and Claims of U.S. Appl. No. 13/921,582, filed Aug. 24, 2016.

Nu Mark LLC, Petition for Inter Partes Review of U.S. Pat. No. 9,364,027 - IPR2016-01668, Ex.1018 Originally filed Abstract, Specification, Drawings, and Claims of U.S. Appl. No. 14/289,366, filed Aug. 24, 2016.

Nu Mark LLC, Petition for Inter Partes Review of U.S. Pat. No. 8,889,239 - IPR2016-01302, Paper 1, Jun. 28, 2016.

Nu Mark LLC, Petition for Inter Partes Review of U.S. Pat. No. 8,889,239 - IPR2016-01302, Ex. 1001 U.S. Pat. No. 8,899,239 (“The 239 Patent”), Jun. 28, 2016.

Nu Mark LLC, Petition for Inter Partes Review of U.S. Pat. No. 8,889,239 - IPR2016-01302, Ex. 1002 File History for U.S. Pat. No. 8,899,239, Jun. 28, 2016.

Nu Mark LLC, Petition for Inter Partes Review of U.S. Pat. No. 8,889,239 - IPR2016-01302, Ex. 1003 Declaration of Dr. John M. Collins (Collins Decl.), Jun. 28, 2016.

Nu Mark LLC, Petition for Inter Partes Review of U.S. Pat. No. 8,889,239 - IPR2016-01302, Ex. 1004 U.S. Pat. No. 3,479,561 (“Janning”), Jun. 28, 2016.

Nu Mark LLC, Petition for Inter Partes Review of U.S. Pat. No. 8,889,239 - IPR2016-01302, Ex. 1005 U.S. Patent Publication No. 2004/0149282 (“Hickle”), Jun. 28, 2016.

Nu Mark LLC, Petition for Inter Partes Review of U.S. Pat. No. 8,889,239 - IPR2016-01302, Ex. 1006 Certified Translation of Chinese Utility Model Publication No. CN1233436A (“Hongbin Translation”), Jun. 28, 2016.

Nu Mark LLC, Petition for Inter Partes Review of U.S. Pat. No. 8,889,239 - IPR2016-01302, Ex. 1007 Chinese Utility Model Publication No. CN 1233436A (“Hongbin”), Jun. 28, 2016.

Nu Mark LLC, Petition for Inter Partes Review of U.S. Pat. No. 8,889,239 - IPR2016-01302, Ex. 1008 Fontem’s Opening Supple-

mental Brief Regarding “Electronic Cigarette”, Case No. CV14-1645 GW (MRWx) (N.D. Cal. Nov. 5, 2015), D.I. 370, Jun. 28, 2016.

Nu Mark LLC, Petition for Inter Partes Review of U.S. Pat. No. 8,889,239 - IPR2016-01302, Ex. 1009 U.S. Appl. No. 60/430,088 (“The ’088 Provisional”), filed Jun. 28, 2016.

Nu Mark LLC, Petition for Inter Partes Review of U.S. Pat. No. 8,889,239 - IPR2016-01302, Ex. 1010 U.S. Pat. No. 6,285,017 (“Brickell”), Jun. 28, 2016.

Nu Mark LLC, Petition for Inter Partes Review of U.S. Pat. No. 8,889,239 - IPR2016-01302, Ex. 1011 U.S. Pat. No. 6,690,121 (“Weindorf”), Jun. 28, 2016.

Nu Mark LLC, Petition for Inter Partes Review of U.S. Pat. No. 8,889,239 - IPR2016-01302, Ex. 1012 U.S. Pat. No. 5,819,756 (“Mielordt”), Jun. 28, 2016.

Nu Mark LLC, Petition for Inter Partes Review of U.S. Pat. No. 8,889,239 - IPR2016-01302, Ex. 1013 U.S. Patent Publication No. 2006/0093977 (“Pellizzari I”), Jun. 28, 2016.

Nu Mark LLC, Petition for Inter Partes Review of U.S. Pat. No. 8,889,239 - IPR2016-01302, Ex. 1014 U.S. Pat. No. 7,059,307 (“Pellizzari II”), Jun. 28, 2016.

Nu Mark LLC, Petition for Inter Partes Review of U.S. Pat. No. 8,889,239 - IPR2016-01302, Ex. 1015 U.S. Pat. No. 5,894,841 (“Voges”), Jun. 28, 2016.

Nu Mark LLC, Petition for Inter Partes Review of U.S. Pat. No. 8,889,239 - IPR2016-01302, Ex. 1016 U.S. Pat. No. 5,743,251 (“Howell”), Jun. 28, 2016.

Nu Mark LLC, Petition for Inter Partes Review of U.S. Pat. No. 8,889,239 - IPR2016-01302, Ex. 1017 U.S. Pat. No. 6,501,052 (“Cox”), Jun. 28, 2016.

Nu Mark LLC, Petition for Inter Partes Review of U.S. Pat. No. 8,889,239 - IPR2016-01302, Ex. 1018 U.S. Pat. No. 6,491,233 (“Nichols”), Jun. 28, 2016.

Nu Mark LLC, Petition for Inter Partes Review of U.S. Pat. No. 9,364,027 - IPR2017-00304, Paper 1 Petition, Nov. 18, 2016.

Nu Mark LLC, Petition for Inter Partes Review of U.S. Pat. No. 9,364,027 - IPR2017-00304, Ex.1001 U.S. Pat. No. 9,364,027 (the “027 Patent”), Nov. 18, 2016.

Nu Mark LLC, Petition for Inter Partes Review of U.S. Pat. No. 9,364,027 - IPR2017-00304, Ex.1002 File History for U.S. Pat. No. 9,364,027 (excerpts), Nov. 18, 2016.

Nu Mark LLC, Petition for Inter Partes Review of U.S. Pat. No. 9,364,027 - IPR2017-00304, Ex.1003 Declaration of Dr. John M. Collins (“Collins Decl.”), Nov. 18, 2016.

Nu Mark LLC, Petition for Inter Partes Review of U.S. Pat. No. 9,364,027 - IPR2017-00304, Ex.1004 Certified Translation of Chinese Utility Model Publication No. CN 1233436A (“Hongbin Translation”), Nov. 18, 2016.

Nu Mark LLC, Petition for Inter Partes Review of U.S. Pat. No. 9,364,027 - IPR2017-00304, Ex.1005 Chinese Utility Model Publication No. CN 1233436A (“Hongbin”), Nov. 18, 2016.

Nu Mark LLC, Petition for Inter Partes Review of U.S. Pat. No. 9,364,027 - IPR2017-00304, Ex.1006 U.S. Patent Publication No. 2004/0149282 (“Hickle”), Nov. 18, 2016.

Nu Mark LLC, Petition for Inter Partes Review of U.S. Pat. No. 9,364,027 - IPR2017-00304, Ex.1007 U.S. Appl. No. 60/430,088 (“the 088 provisional”) to Hickle, filed Nov. 18, 2016.

Nu Mark LLC, Petition for Inter Partes Review of U.S. Pat. No. 9,364,027 - IPR2017-00304, Ex.1008 U.S. Pat. No. 1,147,416 (“MacDonald”), Nov. 18, 2016.

Nu Mark LLC, Petition for Inter Partes Review of U.S. Pat. No. 9,364,027 - IPR2017-00304, Ex.1009 U.S. Pat. No. 5,666,977 (“Higgins”), Nov. 18, 2016.

Nu Mark LLC, Petition for Inter Partes Review of U.S. Pat. No. 9,364,027 - IPR2017-00304, Ex.1010 U.S. Pat. No. 6,285,017 (“Brickell”), Nov. 18, 2016.

Nu Mark LLC, Petition for Inter Partes Review of U.S. Pat. No. 9,364,027 - IPR2017-00304, Ex.1011 U.S. Pat. No. 6,690,121 (“Weindorf”), Nov. 18, 2016.

Nu Mark LLC, Petition for Inter Partes Review of U.S. Pat. No. 9,364,027 - IPR2017-00304, Ex.1012 U.S. Pat. No. 5,743,251 (“Howell”), Nov. 18, 2016.

(56)

References Cited

OTHER PUBLICATIONS

Nu Mark LLC, Petition for Inter Partes Review of U.S. Pat. No. 9,364,027 - IPR2017-00304, Ex.1013 U.S. Pat. No. 6,598,607 (“Adiga”), Nov. 18, 2016.

Nu Mark LLC, Petition for Inter Partes Review of U.S. Pat. No. 9,364,027 - IPR2017-00304, Ex.1014 U.S. Pat. No. 1,514,682 (“Wilson”), Nov. 18, 2016.

Nu Mark LLC, Petition for Inter Partes Review of U.S. Pat. No. 9,364,027 - IPR2017-00304, Ex.1015 U.S. Pat. No. 2,057,353 (“Whittemore”), Nov. 18, 2016.

Nu Mark LLC, Petition for Inter Partes Review of U.S. Pat. No. 9,364,027 - IPR2017-00304, Ex.1016 U.S. Pat. No. 4,947,874 (“Brooks”), Nov. 18, 2016.

Nu Mark LLC, Petition for Inter Partes Review of U.S. Pat. No. 9,364,027 - IPR2017-00304, Ex.1017 U.S. Pat. No. 3,479,561 (“Janning”), Nov. 18, 2016.

Nu Mark LLC, Petition for Inter Partes Review of U.S. Pat. No. 9,364,027 - IPR2017-00304, Ex.1018 U.S. Pat. No. 5,894,841 (“Voges”), Nov. 18, 2016.

Nu Mark LLC, Petition for Inter Partes Review of U.S. Pat. No. 9,364,027 - IPR2017-00304, Ex.1019 U.S. Pat. No. 6,491,233 (“Nichols”), Nov. 18, 2016.

Nu Mark LLC, Petition for Inter Partes Review of U.S. Pat. No. 9,364,027 - IPR2017-00304, Ex.1020 U.S. Pat. No. 1,347,631 (“Jean”), Nov. 18, 2016.

Nu Mark LLC, Petition for Inter Partes Review of U.S. Pat. No. 9,364,027 - IPR2017-00304, Ex.1021 U.S. Pat. No. 2,140,516 (“Cowan”), Nov. 18, 2016.

Nu Mark LLC, Petition for Inter Partes Review of U.S. Pat. No. 9,364,027 - IPR2017-00304, Ex.1022 U.S. Pat. No. 3,651,240 (“Kirkpatrick”), Nov. 18, 2016.

Nu Mark LLC, Petition for Inter Partes Review of U.S. Pat. No. 9,364,027 - IPR2017-00304, Ex.1023 U.S. Pat. No. 2,896,856 (“Kravits”), Nov. 18, 2016.

Nu Mark LLC, Petition for Inter Partes Review of U.S. Pat. No. 9,364,027 - IPR2017-00304, Ex.1024 Citing References for U.S. Pat. No. 2,896,856, Nov. 18, 2016.

Nu Mark LLC, Petition for Inter Partes Review of U.S. Pat. No. 9,364,027 - IPR2017-00304, Ex.1025 U.S. Pat. No. 5,400,969 (“Keene”), Nov. 18, 2016.

Nu Mark LLC, Petition for Inter Partes Review of U.S. Pat. No. 9,364,027 - IPR2017-00304, Ex.1026 Citing References for U.S. Pat. No. 5,400,969, Nov. 18, 2016.

Nu Mark LLC, Petition for Inter Partes Review of U.S. Pat. No. 9,364,027 - IPR2017-00304, Ex.1027 U.S. Pat. No. 5,732,685 (“Nakamura”), Nov. 18, 2016.

Nu Mark LLC, Petition for Inter Partes Review of U.S. Pat. No. 9,364,027 - IPR2017-00304, Ex.1032 Citing References for U.S. Pat. No. 5,732,685, Nov. 18, 2016.

Nu Mark LLC, Petition for Inter Partes Review of U.S. Pat. No. 9,364,027 - IPR2017-00304, Ex.1029 U.S. Patent Publication No. 2005/0115243 (“Ade”), Nov. 18, 2016.

Nu Mark LLC, Petition for Inter Partes Review of U.S. Pat. No. 9,364,027 - IPR2017-00304, Ex.1030 Reference Cited for U.S. Patent Publication No. 2005/0115243, Nov. 18, 2016.

Nu Mark LLC, Petition for Inter Partes Review of U.S. Pat. No. 9,364,027 - IPR2017-00304, Ex.1031 McGraw-Hill Dictionary of Scientific and Technical Terms, McGraw-Hill Companies, Inc., (3rd ed. 1984) (Excerpts), Nov. 18, 2016.

Nu Mark LLC, Petition for Inter Partes Review of U.S. Pat. No. 9,364,027 - IPR2017-00304, Ex.1032 U.S. Pat. No. 3,933,643 (“Colvin”), Nov. 18, 2016.

Nu Mark LLC, Petition for Inter Partes Review of U.S. Pat. No. 9,364,027 - IPR2017-00304, Ex.1033 U.S. Pat. No. 6,476,151 (“Araki”), Nov. 18, 2016.

Nu Mark LLC, Petition for Inter Partes Review of U.S. Pat. No. 9,364,027 - IPR2017-00304, Ex.1034 U.S. Patent Publication No. 2006/0093977 A1 (“Pellizzari I”), Nov. 18, 2016.

Nu Mark LLC, Petition for Inter Partes Review of U.S. Pat. No. 9,364,027 - IPR2017-00304, Ex.1035 U.S. Pat. No. 7,059,307 (“Pellizzari II”), Nov. 18, 2016.

Nu Mark LLC, Petition for Inter Partes Review of U.S. Pat. No. 9,364,027 - IPR2017-00304, Ex.1036 U.S. Pat. No. 6,501,052 (“Cox”), Nov. 18, 2016.

Nu Mark LLC, Petition for Inter Partes Review of U.S. Pat. No. 9,364,027 - IPR2017-00304, Ex.1037 U.S. Pat. No. 438,310 (“Edison”), Nov. 18, 2016.

Nu Mark LLC, Petition for Inter Partes Review of U.S. Pat. No. 9,364,027 - IPR2017-00304, Ex.1038 U.S. Pat. No. 3,200,819 (“Gilbert”), Nov. 18, 2016.

Nu Mark LLC, Petition for Inter Partes Review of U.S. Pat. No. 9,364,027 - IPR2017-00304, Ex.1039 J.A. Speck, Mechanical Fastening, Joining, and Assembly (1997) (excerpt), Nov. 18, 2016.

Nu Mark LLC, Petition for Inter Partes Review of U.S. Pat. No. 9,364,027 - IPR2017-00304, Ex.1040 European Patent Application No. EP0845220 A1 (“Susa”), Nov. 18, 2016.

Nu Mark LLC, Petition for Inter Partes Review of U.S. Pat. No. 9,364,027 - IPR2017-00304, Ex.1041 U.S. Pat. No. 2,442,004 (“Hayward-Butt”), Nov. 18, 2016.

Nu Mark LLC, Petition for Inter Partes Review of U.S. Pat. No. 9,364,027 - IPR2017-00304, Ex.1042 U.S. Pat. No. 1,775,947 (“Robinson”), Nov. 18, 2016.

Nu Mark LLC, Petition for Inter Partes Review of U.S. Pat. No. 9,364,027 - IPR2017-00304, Ex.1043 U.S. Pat. No. 6,155,268 (“Takeuchi”), Nov. 18, 2016.

Patent Trial and Appeal Board, USPTO, Decision—Instituting *Inter Partes* Review, *R.J. Reynolds Vapor Company v. Fontem Holdings I B.V.*, IPR2017-01120, Paper 11, Oct. 23, 2017.

R.J. Reynolds Vapor Company, Answer to Complaint in *Fontem Holdings B.V. v. R.J. Reynolds Vapor Company*, 16-CV-2286, Dkt. 027, Jun. 27, 2016.

R.J. Reynolds Vapor Company, Brief in Support of Motion for Leave to Amend Preliminary Invalidation Contentions and Elections, *Fontem Ventures et al. v. R.J. Reynolds Vapor Company*, 1:16-cv-01255 and consolidated cases, U.S. District Court for the Middle District of North Carolina, Dkt. 112, Oct. 23, 2017.

R.J. Reynolds Vapor Company, Declaration of Robert Mallin in Support of Motion for Leave to Amend Preliminary Invalidation Contentions and Elections, *Fontem Ventures et al. v. R.J. Reynolds Vapor Company*, 1:16-cv-01255 and consolidated cases, U.S. District Court for the Middle District of North Carolina, Dkt. 113, Oct. 23, 2017.

R.J. Reynolds Vapor Company, Exhibits 1-24 to Declaration of Robert Mallin in Support of Motion for Leave to Amend Preliminary Invalidation Contentions and Elections, *Fontem Ventures et al. v. R.J. Reynolds Vapor Company*, 1:16-cv-01255 and consolidated cases, U.S. District Court for the Middle District of North Carolina, Dkt. 113-1 through 113-24, Oct. 23, 2017.

R.J. Reynolds Vapor Company, First Amended Answer to Complaint in *Fontem Holdings B.V. v. R.J. Reynolds Vapor Company*, 16-CV-2286, Dkt. 033, Jul. 25, 2016.

R.J. Reynolds Vapor Company, IPR2017-01120, U.S. Pat. No. 8,899,239, Exhibit 1001, U.S. Pat. No. 8,899,239 (“the 239 patent”), Apr. 3, 2017.

R.J. Reynolds Vapor Company, IPR2017-01120, U.S. Pat. No. 8,899,239, Exhibit 1002, Chinese Patent Application Publication No. CN1233436A (“Hongbin”), Apr. 3, 2017.

R.J. Reynolds Vapor Company, IPR2017-01120, U.S. Pat. No. 8,899,239, Exhibit 1003, Certified translation of Chinese Patent Application Publication No. CN1233436A (“Hongbin”), Apr. 3, 2017.

R.J. Reynolds Vapor Company, IPR2017-01120, U.S. Pat. No. 8,899,239, Exhibit 1004, Japanese Unexamined Patent Application Publication No. 2001-291598 (“JP598” or “JP98 publication”), Apr. 3, 2017.

R.J. Reynolds Vapor Company, IPR2017-01120, U.S. Pat. No. 8,899,239, Exhibit 1005, Certified translation of Japanese Unexamined Patent Application Publication No. 2001-291598 (“JP598” or “JP98 publication”), Apr. 3, 2017.

(56)

References Cited

OTHER PUBLICATIONS

R.J. Reynolds Vapor Company, IPR2017-01120, U.S. Pat. No. 8,899,239, Exhibit 1006, U.S. Pat. No. 2,057,353 (“Whittemore”), Apr. 3, 2017.

R.J. Reynolds Vapor Company, IPR2017-01120, U.S. Pat. No. 8,899,239, Exhibit 1007, U.S. Pat. No. 6,155,268 (“Takeuchi”) Apr. 3, 2017.

R.J. Reynolds Vapor Company, IPR2017-01120, U.S. Pat. No. 8,899,239, Exhibit 1008, Declaration of Dr. Robert H. Sturges regarding U.S. Pat. No. 8,899,239, Apr. 3, 2017.

R.J. Reynolds Vapor Company, IPR2017-01120, U.S. Pat. No. 8,899,239, Exhibit 1009, IPR2016-01272, Petition for Inter Partes Review, Apr. 3, 2017.

R.J. Reynolds Vapor Company, IPR2017-01120, U.S. Pat. No. 8,899,239, Exhibit 1010, IPR2016-01272, Decision Instituting Inter Partes Review (“Institution Decision”), Apr. 3, 2017.

R.J. Reynolds Vapor Company, IPR2017-01120, U.S. Pat. No. 8,899,239, Exhibit 1011, U.S. Pat. No. 4,947,874 (“Brooks”), Apr. 3, 2017.

R.J. Reynolds Vapor Company, IPR2017-01120, U.S. Pat. No. 8,899,239, Exhibit 1012, Excerpt from Marks’ Standard Handbook for Mechanical Engineers (1978), Apr. 3, 2017.

R.J. Reynolds Vapor Company, IPR2017-01120, U.S. Pat. No. 8,899,239, Exhibit 1013, U.S. Pat. No. 6,598,607 (“Adiga”), Apr. 3, 2017.

R.J. Reynolds Vapor Company, IPR2017-01120, U.S. Pat. No. 8,899,239, Exhibit 1014, U.S. Pat. No. 4,793,365 (“Sensabaugh”), Apr. 3, 2017.

R.J. Reynolds Vapor Company, IPR2017-01120, U.S. Pat. No. 8,899,239, Exhibit 1015, U.S. Pat. No. 5,203,355 (“Clearman”), Apr. 3, 2017.

R.J. Reynolds Vapor Company, IPR2017-01120, U.S. Pat. No. 8,899,239, Exhibit 1016, U.S. Pat. No. 2,472,282 (“Burchett”), Apr. 3, 2017.

R.J. Reynolds Vapor Company, IPR2017-01120, U.S. Pat. No. 8,899,239, Exhibit 1017, U.S. Pat. No. 2,032,695 (“Gimera”), Apr. 3, 2017.

R.J. Reynolds Vapor Company, IPR2017-01120, U.S. Pat. No. 8,899,239, Exhibit 1018, U.S. Pat. No. 3,479,561 (“Janning”), Apr. 3, 2017.

R.J. Reynolds Vapor Company, IPR2017-01120, U.S. Pat. No. 8,899,239, Exhibit 1019, Plaintiff’s Responsive Claim Construction Brief from *Fontem Ventures, B. V. et al. v. NJOY, Inc. et al.*, Case No. 14-cv-1645-GW (MRWx) (C.D. Cal. Apr. 23, 2015) (Dkt No. 117), Apr. 3, 2017.

R.J. Reynolds Vapor Company, IPR2017-01120, U.S. Pat. No. 8,899,239, Exhibit 1020, Ex. 3 attached to Plaintiff’s Responsive Claim Construction Brief from *Fontem Ventures, B. V. et al. v. NJOY, Inc. et al.*, Case No. 14-cv-1645-GW (MRWx) (C.D. Cal. Apr. 23, 2015) (Dkt No. 117-2), Apr. 3, 2017.

R.J. Reynolds Vapor Company, IPR2017-01120, U.S. Pat. No. 8,899,239, Exhibit 1021, Ex. 4 attached to Plaintiff’s Responsive Claim Construction Brief from *Fontem Ventures, B. V. et al. v. NJOY, Inc. et al.*, Case No. 14-cv-1645-GW (MRWx) (C.D. Cal. Apr. 23, 2015) (Dkt No. 117-2), Apr. 3, 2017.

R.J. Reynolds Vapor Company, IPR2017-01120, U.S. Pat. No. 8,899,239, Exhibit 1022, Ex. 5 attached to Plaintiff’s Responsive Claim Construction Brief from *Fontem Ventures, B. V. et al. v. NJOY, Inc. et al.*, Case No. 14-cv-1645-GW (MRWx) (C.D. Cal. Apr. 23, 2015) (Dkt No. 117-2), Apr. 3, 2017.

R.J. Reynolds Vapor Company, IPR2017-01120, U.S. Pat. No. 8,899,239, Exhibit 1023, Mosdesign Semiconductor Corp., Datasheet for M1600 LED Drivers, Apr. 3, 2017.

R.J. Reynolds Vapor Company, IPR2017-01120, U.S. Pat. No. 8,899,239, Exhibit 1024, Excerpt from Merriam-Webster’s Collegiate Dictionary, 10th ed. (2002), Apr. 3, 2017.

R.J. Reynolds Vapor Company, IPR2017-01120, U.S. Pat. No. 8,899,239, Exhibit 1025, Excerpts from James W. Dally, Packaging of Electronic Systems: A Mechanical Engineering Approach (1990), Apr. 3, 2017.

R.J. Reynolds Vapor Company, IPR2017-01120, U.S. Pat. No. 8,899,239, Exhibit 1026, U.S. Pat. No. 5,144,962 (“Counts”), Apr. 3, 2017.

R.J. Reynolds Vapor Company, IPR2017-01120, U.S. Pat. No. 8,899,239, Exhibit 1027, U.S. Pat. No. 7,034,814 (“Gong”), Apr. 3, 2017.

R.J. Reynolds Vapor Company, IPR2017-01120, U.S. Pat. No. 8,899,239, Exhibit 1028, Declaration of James Donnelly, Apr. 3, 2017.

R.J. Reynolds Vapor Company, Motion for Leave to Amend Preliminary Invalidity Contentions and Elections, *Fontem Ventures et al. v. R.J. Reynolds Vapor Company*, 1:16-cv-01255 and consolidated cases, U.S. District Court for the Middle District of North Carolina, Dkt. 111, Oct. 23, 2017.

R.J. Reynolds Vapor Company, Petition for Inter Partes Review of U.S. Pat. No. 8,889,239 - IPR2016-01272, Paper 2, Jul. 2, 2016.

R.J. Reynolds Vapor Company, Petition for Inter Partes Review of U.S. Pat. No. 8,889,239 - IPR2016-01272, Ex. 1001 U.S. Pat. No. 8,899,239 (“the 239 patent”), Jul. 2, 2016.

R.J. Reynolds Vapor Company, Petition for Inter Partes Review of U.S. Pat. No. 8,889,239 - IPR2016-01272, Ex. 1002 U.S. Pat. No. 3,479,561 (“the 561 patent”), Jul. 2, 2016.

R.J. Reynolds Vapor Company, Petition for Inter Partes Review of U.S. Pat. No. 8,889,239 - IPR2016-01272, Ex. 1003 Japanese Unexamined Patent Application Publication No. 2001-291598 (“JP598” or “JP98 publication”), Jul. 2, 2016.

R.J. Reynolds Vapor Company, Petition for Inter Partes Review of U.S. Pat. No. 8,889,239 - IPR2016-01272, Ex. 1004 Certified translation of Japanese Unexamined Patent Application Publication No. 2001-291598 (“JP598” or “JP598 publication”), Jul. 2, 2016.

R.J. Reynolds Vapor Company, Petition for Inter Partes Review of U.S. Pat. No. 8,889,239 - IPR2016-01272, Ex. 1005 Japanese Unexamined Patent Application Publication No. H9-326299 (“JP299” or “JP299 publication”), Jul. 2, 2016.

R.J. Reynolds Vapor Company, Petition for Inter Partes Review of U.S. Pat. No. 8,889,239 - IPR2016-01272, Ex. 1006 Certified translation of Japanese Unexamined Patent Application Publication No. H9-326299 (“JP299” or “JP299 publication”), Jul. 2, 2016.

R.J. Reynolds Vapor Company, Petition for Inter Partes Review of U.S. Pat. No. 8,889,239 - IPR2016-01272, Ex. 1007 Excerpts from 239 Patent File History, Jul. 2, 2016.

R.J. Reynolds Vapor Company, Petition for Inter Partes Review of U.S. Patent No. 8,889,239 - IPR2016-01272, Ex. 1008 Plaintiff’s Responsive Claim Construction Brief from *Fontem Ventures, B. V. et al. v. NJOY, Inc. et al.*, Case No. 14-cv-1645-GW (MRWx) (C.D. Cal. Apr. 23, 2015) (Dkt No. 117), Jul. 2, 2016.

R.J. Reynolds Vapor Company, Petition for Inter Partes Review of U.S. Patent No. 8,889,239 - IPR2016-01272, Ex. 1009 Ex. 3 attached to Plaintiff’s Responsive Claim Construction — Brief from *Fontem Ventures, B. V. et al. v. NJOY, Inc. et al.*, Case No. 14-cv-1645-GW (MRWx) (C.D. Cal. Apr. 23, 2015) (Dkt No. 117-2), Jul. 2, 2016.

R.J. Reynolds Vapor Company, Petition for Inter Partes Review of U.S. Patent No. 8,889,239 - IPR2016-01272, Ex. 1010 Ex. 4 attached to Plaintiff’s Responsive Claim Construction Brief from *Fontem Ventures, B. V. et al. v. NJOY, Inc. et al.*, Case No. 14-cv-1645-GW (MRWx) (C.D. Cal. Apr. 23, 2015) (Dkt No. 117-2), Jul. 2, 2016.

R.J. Reynolds Vapor Company, Petition for Inter Partes Review of U.S. Patent No. 8,889,239 - IPR2016-01272, Ex. 1011 Ex. 5 attached to Plaintiff’s Responsive Claim Construction Brief from *Fontem Ventures, B. V. et al. v. NJOY, Inc. et al.*, Case No. 14-cv-1645-GW (MRWx) (C.D. Cal. Apr. 23, 2015) (Dkt No. 117-2), Jul. 2, 2016.

R.J. Reynolds Vapor Company, Petition for Inter Partes Review of U.S. Pat. No. 8,889,239 - IPR2016-01272, Ex. 1012 Declaration of Robert H. Sturges regarding U.S. Pat. No. 8,899,239, Jul. 2, 2016.

R.J. Reynolds Vapor Company, Petition for Inter Partes Review of U.S. Pat. No. 8,889,239 - IPR2016-01272, Ex. 1013 Excerpt from Mark’s Standard Handbook for Mechanical Engineers (1978), Jul. 2, 2016.

R.J. Reynolds Vapor Company, Petition for Inter Partes Review of U.S. Pat. No. 8,899,239 - IPR2017-01120, Apr. 3, 2017.

(56)

References Cited

OTHER PUBLICATIONS

R.J. Reynolds Vapor Company, Power of Attorney, Inter Partes Review of U.S. Pat. No. 8,899,239 - IPR2017-01120, Apr. 3, 2017.

R.J. Reynolds Vapor Company, Preliminary Invalidation Contentions for 17-cv-0175, Jul. 31, 2017.

R.J. Reynolds Vapor Company, Preliminary Invalidation Contentions served in *Fontem Ventures B.V. v. R.J. Reynolds Vapor Company*, U.S. District Court for the Middle District of North Carolina, 16-cv-01255, Mar. 15, 2017.

R.J. Reynolds Vapor Company, Preliminary Invalidation Contentions, Exhibit D ('239 patent), 16-cv-01255, Mar. 15, 2017.

R.J. Reynolds Vapor Company, Preliminary Invalidation Contentions, Exhibit G (U.S. Pat. No. 9,364,027), 17-cv-0175, Jul. 31, 2017.

State Intellectual Property Office, China, "International Search Report for PCT/CN2004/000182", dated Jun. 10, 2004, 2 pages.

State Intellectual Property Office, China, "Examination Decision on the Request for Invalidation for CN03212882.7", dated Dec. 25, 2007.

Taiwan Patent Office, "English Translation of Official Letter including Search Report for Taiwanese Patent Application No. 093111573", dated Apr. 24, 2009, 3 pages.

U.S. District Court, Central District of California, Western Division, Defendant NJOY, Inc.'s Memorandum of Points and Authorities in Support of Defendants' Motion for Leave to Amend Invalidation Contentions dated Jun. 29, 2015 and filed in Consolidated Case No. CV 14-01645 GW (MRW) and related consolidated cases.

U.S. District Court, Central District of California, Western Division, Defendant NJOY, Inc.'s Declaration of Brent K. Yamashita in Support of Defendants' Motion for Leave to Amend Invalidation Contentions dated Jun. 29, 2015 and filed in Consolidated Case No. CV 14-01645 GW (MRW) and related consolidated cases.

U.S. District Court, Central District of California, Western Division, Defendant NJOY, Inc.'s Exhibit 1 to Defendants' Motion for Leave to Amend Invalidation Contentions dated Jun. 29, 2015 and filed in Consolidated Case No. CV 14-01645 GW (MRW) and related consolidated cases.

U.S. District Court, Central District of California, Western Division, Defendant NJOY, Inc.'s Exhibit 2 to Defendants' Motion for Leave to Amend Invalidation Contentions dated Jun. 29, 2015 and filed in Consolidated Case No. CV 14-01645 GW (MRW) and related consolidated cases.

U.S. District Court, Central District of California, Western Division, Defendant NJOY, Inc.'s Exhibit 3 to Defendants' Motion for Leave to Amend Invalidation Contentions dated 06/29/201 and filed in Consolidated Case No. CV 14-01645 GW (MRW) and related consolidated cases.

U.S. District Court, Central District of California, Western Division, Defendant NJOY, Inc.'s Exhibit 4 to Defendants' Motion for Leave to Amend Invalidation Contentions dated Jun. 29, 2015 and filed in Consolidated Case No. CV 14-01645 GW (MRW) and related consolidated cases.

U.S. District Court, Central District of California, Western Division, Defendant NJOY, Inc.'s Exhibit 5 to Defendants' Motion for Leave to Amend Invalidation Contentions dated Jun. 29, 2015 and filed in Consolidated Case No. CV 14-01645 GW (MRW) and related consolidated cases.

U.S. District Court, Central District of California, Western Division, Defendant NJOY, Inc.'s production documents VLACHOS 0000061-72; Jun. 29, 2015 in Consolidated Case No. CV 14-01645 GW (MRW) and related consolidated cases.

U.S. District Court, Central District of California, Western Division, Defendant NJOY, Inc.'s Reply Brief in Support of Defendants' Motion for Leave to Amend Invalidation Contentions dated Jul. 13, 2015 and filed in Consolidated Case No. CV 14-01645 GW (MRW) and related consolidated cases.

Ukraine Patent Office, "English Translation of Examination Report for Ukrainian Patent Application No. 200511258", dated Feb. 4, 2009, 2 pages.

United States Patent and Trademark Office, "Final Office Action for U.S. Appl. No. 13/921,582", dated Aug. 28, 2014, 9 pages.

United States Patent and Trademark Office, "Non-Final Office Action for U.S. Appl. No. 10/547,244", dated Nov. 12, 2009, 7 pages.

United States Patent and Trademark Office, "Non-Final Office Action for U.S. Appl. No. 10/547,244", dated Jul. 21, 2010, 7 pages.

United States Patent and Trademark Office, "Non-Final Office Action for U.S. Appl. No. 10/547,244", dated Jul. 26, 2011, 10 pages.

United States Patent and Trademark Office, "Non-Final Office Action for U.S. Appl. No. 13/088,276", dated May 21, 2012, 8 pages.

United States Patent and Trademark Office, "Non-Final Office Action for U.S. Appl. No. 13/548,659", dated Mar. 15, 2013, 8 pages.

United States Patent and Trademark Office, "Non-Final Office Action for U.S. Appl. No. 13/921,582", dated Mar. 20, 2014, 7 pages.

United States Patent and Trademark Office, "Notice of Allowance for U.S. Appl. No. 13/088,276", dated Apr. 15, 2013, 8 pages.

United States Patent and Trademark Office, "Notice of Allowance for U.S. Appl. No. 14/289,366", dated Sep. 11, 2014, 12 pages.

United States Patent and Trademark Office, Final Office Action for U.S. Appl. No. 14/328,561, dated June 1, 2015, 6 pages.

United States Patent and Trademark Office, Final Office Action for U.S. Appl. No. 15/091,296, dated Dec. 16, 2016, 7 pgs.

United States Patent and Trademark Office, Non-Final Office Action for U.S. Appl. No. 14/328,561, dated Jan. 29, 2015, 6 pages.

United States Patent and Trademark Office, Non-Final Office Action for U.S. Appl. No. 14/328,561, dated Sep. 24, 2015, 12 pages.

United States Patent and Trademark Office, Non-Final Office Action for U.S. Appl. No. 15/169,929, dated Dec. 6, 2016.

United States Patent and Trademark Office, Patent Trial and Appeal Board, IPR2016-01272, Paper 11, Decision Instituting Inter Partes Review, Dec. 30, 2016.

United States Patent and Trademark Office, Patent Trial and Appeal Board, IPR2016-01272, Paper 51, Final Written Decision, dated Dec. 21, 2017.

R.J. Reynolds Vapor Company, Amended Preliminary Invalidation Contentions (for U.S. Pat. Nos. 8,365,742, 8,490,628, 8,893,726, 8,899,239, 9,326,548, 9,326,549, and 9,370,205), served in *Fontem Ventures B.V. v. R.J. Reynolds Vapor Company*, U.S. District Court for the Middle District of North Carolina, 16-cv-01255 and consolidated cases, Oct. 13, 2017.

R.J. Reynolds Vapor Company, Amended Preliminary Invalidation Contentions, Amended Exhibit D (U.S. Pat. No. 8,899,239), served in *Fontem Ventures B.V. v. R.J. Reynolds Vapor Company*, U.S. District Court for the Middle District of North Carolina, 16-cv-01255 and consolidated cases, Oct. 13, 2017.

R.J. Reynolds Vapor Company, Amended Preliminary Invalidation Contentions (for U.S. Pat. Nos. 8,375,957, 8,863,752, 9,326,550, 9,326,551, 9,339,062, 8,393,331, 9,364,027, and 9,456,632), served in *Fontem Ventures B.V. v. R.J. Reynolds Vapor Company*, U.S. District Court for the Middle District of North Carolina, 16-cv-01255 and consolidated cases, Oct. 13, 2017.

R.J. Reynolds Vapor Company, Amended Preliminary Invalidation Contentions, Amended Exhibit G (U.S. Pat. No. 9,364,027), served in *Fontem Ventures B. V. v. R.J. Reynolds Vapor Company*, U.S. District Court for the Middle District of North Carolina, 16-cv-01255 and consolidated cases, Oct. 13, 2017.

USPTO, Notice of Allowance for U.S. Appl. No. 15/632,030, dated Nov. 7, 2017.

USPTO, Notice of Allowance for U.S. Appl. No. 15/169,929, dated Jun. 14, 2017.

Canadian Intellectual Property Office, Application No. CA2874924, Office Action, dated Nov. 5, 2015.

U.S. Appl. No. 13/921,582, Notice of Allowance, dated Oct. 24, 2014.

U.S. Appl. No. 14/328,561, Notice of Allowance, dated Jan. 15, 2016.

U.S. Appl. No. 14/328,561, Notice of Allowance, dated May 12, 2016.

U.S. Appl. No. 15/091,296, Non-Final Office Action, dated Jul. 21, 2016.

(56)

References Cited

OTHER PUBLICATIONS

- U.S. Appl. No. 15/091,296, Notice of Allowance, dated Apr. 5, 2017.
- U.S. Appl. No. 15/632,030, Notice of Allowance, dated Aug. 29, 2018.
- U.S. Appl. No. 15/632,030, Corrected Notice of Allowability, dated Sep. 11, 2018.
- U.S. Appl. No. 15/914,940, Non-Final Office Action, dated Aug. 28, 2018.
- U.S. Appl. No. 16/002,230, Non-Final Office Action, dated Aug. 16, 2018.
- Canadian Intellectual Property Office, Application No. 2,874,924, Office Action, dated Jan. 8, 2018.
- R.J. Reynolds Vapor Company, Final Invalidation Contentions served in *Fontem Holdings B.V. v. R.J. Reynolds Vapor Company*, U.S. District Court for the Middle District of North Carolina, Case No. 16-cv-1255 and consolidated cases (relating to U.S. Pat. Nos. 8,365,742, 8,490,628, 8,893,726, 8,899,239, 8,326,548, 8,326,549, and 9,370,205), May 7, 2018.
- R.J. Reynolds Vapor Company, Final Invalidation Elections served in *Fontem Holdings B.V. v. R.J. Reynolds Vapor Company*, U.S. District Court for the Middle District of North Carolina, Case No. 16-cv-1255 and consolidated cases (relating to U.S. Pat. Nos. 8,365,742, 8,490,628, 8,893,726, 8,899,239, 8,326,548, 8,326,549, and 9,370,205), May 7, 2018.
- R.J. Reynolds Vapor Company, Final Invalidation Contentions, 16-cv-1255 and consolidated cases, Amended Exhibit D (U.S. Pat. No. 8,899,239), May 7, 2018.
- R.J. Reynolds Vapor Company, Final Invalidation Contentions served in *Fontem Holdings B.V. v. R.J. Reynolds Vapor Company*, U.S. District Court for the Middle District of North Carolina, Case No. 16-cv-1255 and consolidated cases (relating to U.S. Pat. Nos. 8,375,957, 8,863,752, 9,326,550, 9,326,551, 9,339,062, 8,393,331, 9,364,027, and 9,456,632), May 7, 2018.
- R.J. Reynolds Vapor Company, Final Invalidation Elections served in *Fontem Holdings B.V. v. R.J. Reynolds Vapor Company*, U.S. District Court for the Middle District of North Carolina, Case No. 16-cv-1255 and consolidated cases (relating to U.S. Pat. Nos. 8,375,957, 8,863,752, 9,326,550, 9,326,551, 9,339,062, 8,393,331, 9,364,027, and 9,456,632), May 7, 2018.
- R.J. Reynolds Vapor Company, Final Invalidation Contentions, 16-cv-1255 and consolidated cases, Amended Exhibit G (U.S. Pat. No. 9,364,027), May 7, 2018.
- R.J. Reynolds Vapor Company, IPR2017-01120, Paper 9—Petitioner Reply to Patent Owner Preliminary Response, Sep. 7, 2017, filed with exhibits 1029-1030 below.
- R.J. Reynolds Vapor Company, IPR2017-01120, Paper 28—Petitioner Reply to Patent Owner Opposition, Apr. 10, 2018, filed with exhibits 1031-1062 below.
- R.J. Reynolds Vapor Company, IPR2017-01120, Ex. 1029, Declaration of R. Mallin, Sep. 7, 2017.
- R.J. Reynolds Vapor Company, IPR2017-01120, Ex. 1030, Jan. 9, 2017 Fontem Infringement Contentions, Sep. 7, 2017.
- R.J. Reynolds Vapor Company, IPR2017-01120, Ex. 1031, Annotated FIG. 3 of JP598 from Deposition of David Schaafsma, Mar. 15, 2018, Apr. 10, 2018.
- R.J. Reynolds Vapor Company, IPR2017-01120, Ex. 1032, Deposition Transcript of David Schaafsma, Jun. 8, 2017, in IPR2016-01272, Apr. 10, 2018.
- R.J. Reynolds Vapor Company, IPR2017-01120, Ex. 1033, Deposition Transcript of Richard Meyst, Jun. 6, 2017, in IPR2016-01272, Apr. 10, 2018.
- R.J. Reynolds Vapor Company, IPR2017-01120, Ex. 1034, Deposition Transcript of Richard Meyst, Mar. 20, 2018, Apr. 10, 2018.
- R.J. Reynolds Vapor Company, IPR2017-01120, Ex. 1035, Deposition Transcript of David Schaafsma, Mar. 15, 2018, Apr. 10, 2018.
- R.J. Reynolds Vapor Company, IPR2017-01120, Ex. 1036, Reply Declaration of Dr. Robert H. Sturges regarding U.S. Pat. No. 8,899,239, Apr. 10, 2018.
- R.J. Reynolds Vapor Company, IPR2017-01120, Ex. 1037, Excerpt from The Oxford Modern English Dictionary, 2nd ed. (1996), Apr. 10, 2018.
- R.J. Reynolds Vapor Company, IPR2017-01120, Ex. 1038, Excerpt from Concise Oxford English Dictionary, 10th ed. (2002), Apr. 10, 2018.
- R.J. Reynolds Vapor Company, IPR2017-01120, Ex. 1039, Excerpt from Merriam-Webster Dictionary Home and Office Edition (1998), Apr. 10, 2018.
- R.J. Reynolds Vapor Company, IPR2017-01120, Ex. 1040, Excerpt from Webster's New American Dictionary (1995), Apr. 10, 2018.
- R.J. Reynolds Vapor Company, IPR2017-01120, Ex. 1041, Excerpt from American Heritage College Dictionary, 3rd ed. (1997), Apr. 10, 2018.
- R.J. Reynolds Vapor Company, IPR2017-01120, Ex. 1042, U.S. Pat. No. 5,060,671 ("Counts '671"), Apr. 10, 2018.
- R.J. Reynolds Vapor Company, IPR2017-01120, Ex. 1043, European Publication No. EP0845220 ("Susa"), Apr. 10, 2018.
- R.J. Reynolds Vapor Company, IPR2017-01120, Ex. 1044, U.S. Pat. No. 3,992,598 ("Welsh"), Apr. 10, 2018.
- R.J. Reynolds Vapor Company, IPR2017-01120, Ex. 1045, U.S. Pat. No. 2,916,576 ("Croskey"), Apr. 10, 2018.
- R.J. Reynolds Vapor Company, IPR2017-01120, Ex. 1046, U.S. Pat. No. 4,437,614 ("Garcowski"), Apr. 10, 2018.
- R.J. Reynolds Vapor Company, IPR2017-01120, Ex. 1047, U.S. Publication No. 2012/0111347 ("Hon"), Apr. 10, 2018.
- R.J. Reynolds Vapor Company, IPR2017-01120, Ex. 1048, U.S. Pat. No. 1,756,053 ("Colton"), Apr. 10, 2018.
- R.J. Reynolds Vapor Company, IPR2017-01120, Ex. 1049, U.S. Pat. No. 2,775,006 ("Kranc"), Apr. 10, 2018.
- R.J. Reynolds Vapor Company, IPR2017-01120, Ex. 1050, U.S. Publication No. 2002/0181946 ("Brown"), Apr. 10, 2018.
- R.J. Reynolds Vapor Company, IPR2017-01120, Ex. 1051, U.S. Publication No. 2003/0170014 ("Triplet"), Apr. 10, 2018.
- R.J. Reynolds Vapor Company, IPR2017-01120, Ex. 1052, U.S. Pat. No. 6,236,807 ("Ruffolo"), Apr. 10, 2018.
- R.J. Reynolds Vapor Company, IPR2017-01120, Ex. 1053, U.S. Pat. No. 6,465,986 ("Haba"), Apr. 10, 2018.
- R.J. Reynolds Vapor Company, IPR2017-01120, Ex. 1054, Intelligent Systems Division, <https://www.nist.gov/4/10/2018ov/el/intelligent-systems-division-73500> (last visited Apr. 6, 2018), Apr. 10, 2018.
- R.J. Reynolds Vapor Company, IPR2017-01120, Ex. 1055, Excerpt from Merriam-Webster's Collegiate Dictionary, 11th ed. (2003), Apr. 10, 2018.
- R.J. Reynolds Vapor Company, IPR2017-01120, Ex. 1056, U.S. Pat. No. 4,246,913 ("Ogden"), Apr. 10, 2018.
- R.J. Reynolds Vapor Company, IPR2017-01120, Ex. 1057, Deposition Transcript of Robert H. Sturges on Reply, Jul. 19, 2017, in IPR2016-01272, Apr. 10, 2018.
- R.J. Reynolds Vapor Company, IPR2017-01120, Ex. 1058, Declaration of Joshua P. Smith, Apr. 10, 2018.
- R.J. Reynolds Vapor Company, IPR2017-01120, Ex. 1059, Declaration of Robert Mallin, Apr. 10, 2018.
- R.J. Reynolds Vapor Company, IPR2017-01120, Ex. 1060, Email Communications between Joseph Hamilton and Robert Mallin, Dec. 21, 2017, Apr. 10, 2018.
- R.J. Reynolds Vapor Company, IPR2017-01120, Ex. 1061, Annotated Ex.1023 from Deposition of Robert H. Sturges on Reply, Jul. 19, 2017, in IPR2016-01272, Apr. 10, 2018.
- R.J. Reynolds Vapor Company, IPR2017-01120, Ex. 1062, Annotated Ex.1024 from Deposition of Robert H. Sturges on Reply, Jul. 19, 2017, in IPR2016-01272, Apr. 10, 2018.
- R.J. Reynolds Vapor Company, Petition for Inter Partes Review of U.S. Pat. No. 9,364,027—IPR2018-00629, Mar. 2, 2018.
- R.J. Reynolds Vapor Company, IPR2018-00629, Ex. 1001—U.S. Pat. No. 9,364,027 ("the '027 Patent"), Mar. 2, 2018.
- R.J. Reynolds Vapor Company, IPR2018-00629, Ex. 1002—Declaration of Dr. Robert H. Sturges regarding U.S. Pat. No. 9,364,027, Mar. 2, 2018.
- R.J. Reynolds Vapor Company, IPR2018-00629, Ex. 1003—Chinese Patent Application Publication No. CN1233436A, Mar. 2, 2018.

(56)

References Cited

OTHER PUBLICATIONS

R.J. Reynolds Vapor Company, IPR2018-00629, Ex. 1004—Certified translation of Chinese Patent Application Publication No. CN1233436A (“Hongbin”), Mar. 2, 2018.

R.J. Reynolds Vapor Company, IPR2018-00629, Ex. 1005—U.S. Pat. No. 3,479,561 (“Janning”), Mar. 2, 2018.

R.J. Reynolds Vapor Company, IPR2018-00629, Ex. 1006—Japanese Unexamined Patent Application Publication No. 2001-291598, Mar. 2, 2018.

R.J. Reynolds Vapor Company, IPR2018-00629, Ex. 1007—Certified translation of Japanese Unexamined Patent Application Publication No. 2001-291598 (“JP598” or “JP598 publication”), Mar. 2, 2018.

R.J. Reynolds Vapor Company, IPR2018-00629, Ex. 1008—U.S. Pat. No. 5,060,671 (“Counts ’671”), Mar. 2, 2018.

R.J. Reynolds Vapor Company, IPR2018-00629, Ex. 1009—Korean Patent Application Publication No. 2002-0067473, Mar. 2, 2018.

R.J. Reynolds Vapor Company, IPR2018-00629, Ex. 1010—Certified translation of Korean Patent Application Publication No. 2002-0067473 (“KR473”), Mar. 2, 2018.

R.J. Reynolds Vapor Company, IPR2018-00629, Ex. 1011—U.S. Pat. No. 6,155,268 (“Takeuchi”), Mar. 2, 2018.

R.J. Reynolds Vapor Company, IPR2018-00629, Ex. 1012—Final Written Decision of Inter Partes Review dated Dec. 21, 2017 (Paper 51), *R.J. Reynolds Vapor Company v. Fontem Holdings 1 B.V.*, IPR2016-01272 (P.T.A.B., petition filed Jul. 2, 2016) (“IPR2016-01272 FWD”), Mar. 2, 2018.

R.J. Reynolds Vapor Company, IPR2018-00629, Ex. 1013—Institution Decision of Inter Partes Review dated Dec. 30, 2016 (Paper 11), *R.J. Reynolds Vapor Company v. Fontem Holdings 1 B.V.*, IPR2016-01272 (P.T.A.B., petition filed Jul. 2, 2016) (“IPR2016-01272 Institution Decision”), Mar. 2, 2018.

R.J. Reynolds Vapor Company, IPR2018-00629, Ex. 1014—Institution Decision of Inter Partes Review dated Oct. 23, 2017 (Paper 11), *R.J. Reynolds Vapor Company v. Fontem Holdings 1 B.V.*, IPR2017-01120 (P.T.A.B., petition filed Apr. 4, 2017) (“IPR2017-01120 Institution Decision”), Mar. 2, 2018.

R.J. Reynolds Vapor Company, IPR2018-00629, Ex. 1015—Plaintiff’s Responsive Claim Construction Brief from *Fontem Ventures, B. V. et al. v. NJOY, Inc. et al.*, Case No. 14-cv-1645-GW (MRWx) (C.D. Cal. Apr. 23, 2015) (Dkt No. 117) (“PO Claim Construction Brief in NJOY Litigation”), Mar. 2, 2018.

R.J. Reynolds Vapor Company, IPR2018-00629, Ex. 1016—Ex. 3 attached to Plaintiff’s Responsive Claim Construction Brief from *Fontem Ventures, B. V. et al. v. NJOY, Inc. et al.*, Case No. 14-cv-1645-GW (MRWx) (C.D. Cal. Apr. 23, 2015) (Dkt No. 117-2), Mar. 2, 2018.

R.J. Reynolds Vapor Company, IPR2018-00629, Ex. 1017—Ex. 4 attached to Plaintiff’s Responsive Claim Construction Brief from *Fontem Ventures, B. V. et al. v. NJOY, Inc. et al.*, Case No. 14-cv-1645-GW (MRWx) (C.D. Cal. Apr. 23, 2015) (Dkt No. 117-2), Mar. 2, 2018.

R.J. Reynolds Vapor Company, IPR2018-00629, Ex. 1018—Ex. 5 attached to Plaintiff’s Responsive Claim Construction Brief from *Fontem Ventures, B. V. et al. v. NJOY, Inc. et al.*, Case No. 14-cv-1645-GW (MRWx) (C.D. Cal. Apr. 23, 2015) (Dkt No. 117-2), Mar. 2, 2018.

R.J. Reynolds Vapor Company, IPR2018-00629, Ex. 1019—Mosdesign Semiconductor Corp. Datasheet for M1600 LED Drivers (“Mosdesign M1600 Datasheet”), Mar. 2, 2018.

R.J. Reynolds Vapor Company, IPR2018-00629, Ex. 1020—Merriam-Webster’s Collegiate Dictionary, Tenth Edition, Merriam-Webster, Inc. 2002—Excerpt, Mar. 2, 2018.

R.J. Reynolds Vapor Company, IPR2018-00629, Ex. 1021—Dr. Sturges Deposition Transcript, *R.J. Reynolds Vapor Company v. Fontem Holdings 1 B.V.*, IPR2016-01272, Exhibit 2020 (PTAB Mar. 29, 2017) (petition filed Jul. 2, 2016) (“IPR2016-01272 Dr. Sturges Deposition”), Mar. 2, 2018.

R.J. Reynolds Vapor Company, IPR2018-00629, Ex. 1022—Dr. Sturges Reply Deposition Transcript, *R.J. Reynolds Vapor Company*

v. Fontem Holdings 1 B.V., IPR2016-01272, Exhibit 2023 (PTAB Aug. 4, 2017) (petition filed Jul. 2, 2016) (“IPR2016-01272 Dr. Sturges Reply Deposition”), Mar. 2, 2018.

R.J. Reynolds Vapor Company, IPR2018-00629, Ex. 1024—Dr. Schaafsma Deposition Transcript, *R.J. Reynolds Vapor Company v. Fontem Holdings 1 B.V.*, IPR2016-01272, Exhibit 1016 (PTAB Jun. 23, 2017) (petition filed Jul. 2, 2016) (“IPR2016-01272 Dr. Schaafsma Deposition”), Mar. 2, 2018.

R.J. Reynolds Vapor Company, IPR2018-00629, Ex. 1025—U.S. Pat. No. 5,144,962 (“Counts”), Mar. 2, 2018.

R.J. Reynolds Vapor Company, IPR2018-00629, Ex. 1026—U.S. Pat. No. 2,057,353 (“Whittemore”), Mar. 2, 2018.

R.J. Reynolds Vapor Company, IPR2018-00629, Ex. 1027—U.S. Pat. No. 6,598,607 (“Adiga”), Mar. 2, 2018.

R.J. Reynolds Vapor Company, IPR2018-00629, Ex. 1028—U.S. Pat. No. 4,793,365 (“Sensabaugh”), Mar. 2, 2018.

R.J. Reynolds Vapor Company, IPR2018-00629, Ex. 1029—U.S. Pat. No. 5,203,355 (“Clearman”), Mar. 2, 2018.

R.J. Reynolds Vapor Company, IPR2018-00629, Ex. 1030—U.S. Pat. No. 2,472,282 (“Burchett”), Mar. 2, 2018.

R.J. Reynolds Vapor Company, IPR2018-00629, Ex. 1031—U.S. Pat. No. 2,032,695 (“Gimera”), Mar. 2, 2018.

R.J. Reynolds Vapor Company, IPR2018-00629, Ex. 1032—European Publication No. EP0845220A1 (“Susa”), Mar. 2, 2018.

R.J. Reynolds Vapor Company, IPR2018-00629, Ex. 1033—The Oxford Modern English Dictionary, Second Edition, Oxford University Press, 1996—Excerpt, Mar. 2, 2018.

R.J. Reynolds Vapor Company, IPR2018-00629, Ex. 1034—Marks’ Standard Handbook for Mechanical Engineers, Ninth Edition, McGraw-Hill, Inc. 1978—Excerpt, Mar. 2, 2018.

R.J. Reynolds Vapor Company, IPR2018-00629, Ex. 1035—McGraw-Hill Dictionary of Scientific and Technical Terms, Fifth Edition, McGraw-Hill, Inc. 1994—Excerpt, Mar. 2, 2018.

R.J. Reynolds Vapor Company, IPR2018-00629, Ex. 1036—U.S. Pat. No. 4,947,874 (“Brooks”), Mar. 2, 2018.

R.J. Reynolds Vapor Company, IPR2018-00629, Ex. 1037—European Publication No. EP1584910A1 (“Tohyama”), Mar. 2, 2018.

R.J. Reynolds Vapor Company, IPR2018-00629, Ex. 1038—U.S. Pat. No. 2,461,664 (“Smith”), Mar. 2, 2018.

R.J. Reynolds Vapor Company, IPR2018-00629, Ex. 1040—Richard Meyst Deposition Transcript, *R.J. Reynolds Vapor Company v. Fontem Holdings 1 B.V.*, IPR2016-01272, Exhibit 1015 (PTAB Jun. 23, 2017) (petition filed Jul. 2, 2016) (“IPR2016-01272 Meyst Deposition”), Mar. 2, 2018.

R.J. Reynolds Vapor Company, IPR2018-00629, Ex. 1041—Declaration of Joshua P. Smith, Mar. 2, 2018.

R.J. Reynolds Vapor Company, Petition for Inter Partes Review of U.S. Pat. No. 9,364,027—IPR2018-00630, Mar. 2, 2018.

R.J. Reynolds Vapor Company, IPR2018-00630, Ex. 1001—U.S. Pat. No. 9,364,027 (“the ’027 Patent”), Mar. 2, 2018.

R.J. Reynolds Vapor Company, IPR2018-00630, Ex. 1002—Declaration of Dr. Robert H. Sturges regarding U.S. Pat. No. 9,364,027, Mar. 2, 2018.

R.J. Reynolds Vapor Company, IPR2018-00630, Ex. 1003—Chinese Patent Application Publication No. CN1233436A, Mar. 2, 2018.

R.J. Reynolds Vapor Company, IPR2018-00630, Ex. 1004—Certified translation of Chinese Patent Application Publication No. CN1233436A (“Hongbin”), Mar. 2, 2018.

R.J. Reynolds Vapor Company, IPR2018-00630, Ex. 1005—U.S. Pat. No. 3,479,561 (“Janning”), Mar. 2, 2018.

R.J. Reynolds Vapor Company, IPR2018-00630, Ex. 1006—Japanese Unexamined Patent Application Publication No. 2001-291598, Mar. 2, 2018.

R.J. Reynolds Vapor Company, IPR2018-00630, Ex. 1007—Certified translation of Japanese Unexamined Patent Application Publication No. 2001-291598 (“JP598” or “JP598 publication”), Mar. 2, 2018.

R.J. Reynolds Vapor Company, IPR2018-00630, Ex. 1009—Korean Patent Application Publication No. 2002-0067473, Mar. 2, 2018.

(56)

References Cited

OTHER PUBLICATIONS

- R.J. Reynolds Vapor Company, IPR2018-00630, Ex. 1010—Certified translation of Korean Patent Application Publication No. 2002-0067473 (“KR473”), Mar. 2, 2018.
- R.J. Reynolds Vapor Company, IPR2018-00630, Ex. 1012—Final Written Decision of Inter Partes Review dated Dec. 21, 2017 (Paper 51), *R.J. Reynolds Vapor Company v. Fontem Holdings I B.V.*, IPR2016-01272 (P.T.A.B., petition filed Jul. 2, 2016) (“IPR2016-01272 FWD”), Mar. 2, 2018.
- R.J. Reynolds Vapor Company, IPR2018-00630, Ex. 1013—Institution Decision of Inter Partes Review dated Dec. 30, 2016 (Paper 11), *R.J. Reynolds Vapor Company v. Fontem Holdings I B.V.*, IPR2016-01272 (P.T.A.B., petition filed Jul. 2, 2016) (“IPR2016-01272 Institution Decision”), Mar. 2, 2018.
- R.J. Reynolds Vapor Company, IPR2018-00630, Ex. 1014—Institution Decision of Inter Partes Review dated Oct. 23, 2017 (Paper 11), *R.J. Reynolds Vapor Company v. Fontem Holdings I B.V.*, IPR2017-01120 (P.T.A.B., petition filed Apr. 4, 2017) (“IPR2017-01120 Institution Decision”), Mar. 2, 2018.
- R.J. Reynolds Vapor Company, IPR2018-00630, Ex. 1015—Plaintiff’s Responsive Claim Construction Brief from *Fontem Ventures, B. V. et al. v. NJOY, Inc. et al.*, Case No. 14-cv-1645-GW (MRWx) (C.D. Cal. Apr. 23, 2015) (Dkt No. 117) (“PO Claim Construction Brief in NJOY Litigation”), Mar. 2, 2018.
- R.J. Reynolds Vapor Company, IPR2018-00630, Ex. 1016—Ex. 3 attached to Plaintiff’s Responsive Claim Construction Brief from *Fontem Ventures, B. V. et al. v. NJOY, Inc. et al.*, Case No. 14-cv-1645-GW (MRWx) (C.D. Cal. Apr. 23, 2015) (Dkt No. 117-2), Mar. 2, 2018.
- R.J. Reynolds Vapor Company, IPR2018-00630, Ex. 1017—Ex. 4 attached to Plaintiff’s Responsive Claim Construction Brief from *Fontem Ventures, B. V. et al. v. NJOY, Inc. et al.*, Case No. 14-cv-1645-GW (MRWx) (C.D. Cal. Apr. 23, 2015) (Dkt No. 117-2), Mar. 2, 2018.
- R.J. Reynolds Vapor Company, IPR2018-00630, Ex. 1018—Ex. 5 attached to Plaintiff’s Responsive Claim Construction Brief from *Fontem Ventures, B. V. et al. v. NJOY, Inc. et al.*, Case No. 14-cv-1645-GW (MRWx) (C.D. Cal. Apr. 23, 2015) (Dkt No. 117-2), Mar. 2, 2018.
- R.J. Reynolds Vapor Company, IPR2018-00630, Ex. 1019—Mosdesign Semiconductor Corp. Datasheet for M1600 LED Drivers (“Mosdesign M1600 Datasheet”), Mar. 2, 2018.
- R.J. Reynolds Vapor Company, IPR2018-00630, Ex. 1020—Merriam-Webster’s Collegiate Dictionary, Tenth Edition, Merriam-Webster, Inc. 2002—Excerpt, Mar. 2, 2018.
- R.J. Reynolds Vapor Company, IPR2018-00630, Ex. 1021—Dr. Sturges Deposition Transcript, *R.J. Reynolds Vapor Company v. Fontem Holdings I B.V.*, IPR2016-01272, Exhibit 2020 (PTAB Mar. 29, 2017) (petition filed Jul. 2, 2016) (“IPR2016-01272 Dr. Sturges Deposition”), Mar. 2, 2018.
- R.J. Reynolds Vapor Company, IPR2018-00630, Ex. 1022—Dr. Sturges Reply Deposition Transcript, *R.J. Reynolds Vapor Company v. Fontem Holdings I B.V.*, IPR2016-01272, Exhibit 2023 (PTAB Aug. 4, 2017) (petition filed Jul. 2, 2016) (“IPR2016-01272 Dr. Sturges Reply Deposition”), Mar. 2, 2018.
- R.J. Reynolds Vapor Company, IPR2018-00630, Ex. 1024—Dr. Schaafsma Deposition Transcript, *R.J. Reynolds Vapor Company v. Fontem Holdings I B.V.*, IPR2016-01272, Exhibit 1016 (PTAB Jun. 23, 2017) (petition filed Jul. 2, 2016) (“IPR2016-01272 Dr. Schaafsma Deposition”), Mar. 2, 2018.
- R.J. Reynolds Vapor Company, IPR2018-00630, Ex. 1025—U.S. Pat. No. 5,144,962 (“Counts”), Mar. 2, 2018.
- R.J. Reynolds Vapor Company, IPR2018-00630, Ex. 1026—U.S. Pat. No. 2,057,353 (“Whittemore”), Mar. 2, 2018.
- R.J. Reynolds Vapor Company, IPR2018-00630, Ex. 1027—U.S. Pat. No. 5,144,962 (“Counts”).
- R.J. Reynolds Vapor Company, IPR2018-00630, Ex. 1028—U.S. Pat. No. 2,959,664 (“Fenn”).
- R.J. Reynolds Vapor Company, IPR2018-00630, Ex. 1029—U.S. Pat. No. 2,269,394 (“Cuno”).
- R.J. Reynolds Vapor Company, IPR2018-00630, Ex. 1030—U.S. Pat. No. 2,104,266 (“McCormick”).
- R.J. Reynolds Vapor Company, IPR2018-00630, Ex. 1033—The Oxford Modern English Dictionary, Second Edition, Oxford University Press, 1996—Excerpt, Mar. 2, 2018.
- R.J. Reynolds Vapor Company, IPR2018-00630, Ex. 1035—McGraw-Hill Dictionary of Scientific and Technical Terms, Fifth Edition, McGraw-Hill, Inc. 1994 Excerpt, Mar. 2, 2018.
- R.J. Reynolds Vapor Company, IPR2018-00630, Ex. 1036—Richard Meyst Deposition Transcript, *R.J. Reynolds Vapor Company v. Fontem Holdings I B.V.*, IPR2016-01272, Exhibit 1015 (PTAB Jun. 23, 2017) (petition filed Jul. 2, 2016) (“IPR2016-01272 Meyst Deposition”), Mar. 2, 2018.
- R.J. Reynolds Vapor Company, IPR2018-00630, Ex. 1037—Declaration of Joshua P. Smith, Mar. 2, 2018.
- U.S. District Court, Middle District of North Carolina, Claim Construction Order, *Fontem Ventures B.V. v. R.J. Reynolds Vapor Company*, Case No. 1:16-cv-01255-CCE-JEP, Dkt. No. 148, Mar. 12, 2018, 8 pgs.
- U.S. District Court, Central District of California, Markman Hearing/Claim Construction Final Ruling, *Fontem Ventures B.V., et al. v. NJOY, Inc., et al.*, Case No. CV 14/1645-GW (MRWx), Dkt. 133, May 7, 2015, 16 pgs.
- U.S. District Court, Central District of California, Tentative Ruling on Summary Judgment of Invalidity, *Fontem Ventures B.V. v. NJOY, Inc.*, Case No. CV 14-1645-GW (MRWx), Dkt. 358 Oct. 22, 2015, 18 pgs.
- U.S. Appl. No. 15/895,147, Non-Final Office Action, dated May 9, 2018.
- U.S. Appl. No. 15/632,030, Notice of Allowance, dated Jun. 18, 2018.
- U.S. Appl. No. 15/895,147, Nonfinal Office Action, dated Dec. 11, 2018.
- U.S. Appl. No. 15/895,147, Notice of Allowance, dated Jan. 29, 2019.
- U.S. Appl. No. 16/002,230, Final Office Action, dated Jan. 17, 2019.
- USPTO, U.S. Appl. No. 15/914,940, Final Office Action, dated Mar. 21, 2019.
- USPTO, U.S. Appl. No. 16/002,230, Notice of Allowance, dated Feb. 26, 2019.
- Chen, Zhiyong; English Translation of Claim Charts Accompanying Request to Invalidate CN Utility Model Patent No. 200620090805.0 (citing D1-200420031182.0 and D2-CN 97190727.7), Jun. 6, 2013. CN Creative ; *Intellicig USA, Ruyan v. Smoking Everywhere et al.* CV11-6268 Invalidity Contentions, Apr. 12, 2012.
- Cyphert, *GIL DBA NUIS, Ruyan v. Smoking Everywhere et al.* CV11-0367 Invalidity Contentions, Apr. 11, 2012.
- European Patent Office, extended European Search Report for EP 07721148, Dec. 6, 2010.
- European Patent Office, extended European Search Report for EP 11001479, Jul. 4, 2011.
- European Patent Office, Supplementary European Search Report for EP05729107, Jul. 31, 2007.
- European Patent Office, Supplementary Partial European Search Report for EP04718242, May 22, 2007.
- European Patent Office, Supplementary Partial European Search Report for EP05729107, May 22, 2007.
- FIN Branding Group, LLC, Request for Inter Partes Reexamination of U.S. Patent No. 8,156,944, filed Sep. 13, 2012.
- FIN Branding Group, LLC, Submission of Prior Art and Miscellaneous Statement Pursuant to 376 C.F.R. § 1.948, Feb. 27, 2013.
- Introduction to Selecting and Using Electronic Components, ISBN7-111-13752-3.
- IP Australia, Examination Report for SG 200505930-8, May 4, 2006.
- IP Australia, Patent Examination Report No. 1 for AU2007250367, Jul. 30, 2012.
- IP Australia, Patent Examination Report No. 1 for AU2007250368, Aug. 9, 2012.
- IP Australia; Exam Report for AU2004234199, Aug. 14, 2009.
- IP Australia; Search and Examination Report for SG200604498-6, Apr. 16, 2008.

(56)

References Cited

OTHER PUBLICATIONS

IP Australia; Singapore Examination Report for Singapore Patent Application No. 0604498-6 SG 200505930-8, May 13, 2008.

Macau Patent Office; Official Communication for MOI121, Apr. 17, 2009.

Machine translation Chinese Patent Application 200420031182 which corresponds to the priority document of WO20051099494 (Hon '494) Oct. 27, 2005.

Machine translation of Chinese Patent Application 03111582.9 which corresponds to the priority document of WO2004/095955 (Hon '955) Nov. 11, 2004.

Manual for Electric Engineers, 2nd Edition, Mar. 2000.

Manual for Mechanical Designers, 4th Edition, Jan. 2002.

Materials Manual—Nonmetal, Jul. 1985.

Sottera, Inc., Ruyan v. Smoking Everywhere et al. CV11-0367 Invalidation Contentions, Apr. 12, 2012.

Sottera, Inc., Ruyan v. Smoking Everywhere et al. CV11-0367 Invalidation Contentions, Exhibit 7 (Claim 20 Claim Chart), Apr. 12, 2012.

Sottera, Inc., Ruyan v. Smoking Everywhere et al. CV11-0367 Invalidation Contentions, Exhibit 8 (Claim 24 Claim Chart), Apr. 12, 2012.

State Intellectual Property Office (China), English Translation of the Written Opinion for PCT/CN07/001575, Jul. 20, 2007.

State Intellectual Property Office (China), English Translation of the Written Opinion for PCT/CN07/001576, Aug. 3, 2007.

State Intellectual Property Office (China), International Search Report for International Application No. PCT/CN2005/000337, Jul. 14, 2005.

State Intellectual Property Office (China), International Search Report for PCT/CN07/001575, Aug. 16, 2007.

State Intellectual Property Office (China), International Search Report for PCT/CN07/001576, Aug. 16, 2007.

State Intellectual Property Office International Search Report for PCT/CN10/073613, Aug. 26, 2010.

State Intellectual Property Office, International Search Report for PCT/CN10/000125, Apr. 1, 2010.

State Intellectual Property Office, Search Report for Utility Model Patent ZL 200620090805.0, Nov. 18, 2008.

TechPowerUp, "What is a MOSFET, what does it look like, and how does it work?", <http://www.techpowerup.com/articles/overclocking/voltmods/21>, dated May 24, 2004, printed from the Internet of Jun. 4, 2011, 3 pages.

United States Patent and Trademark Office, Office Action in Inter Partes Reexamination of U.S. Patent No. 8,156,944, mailed Nov. 27, 2012.

* cited by examiner

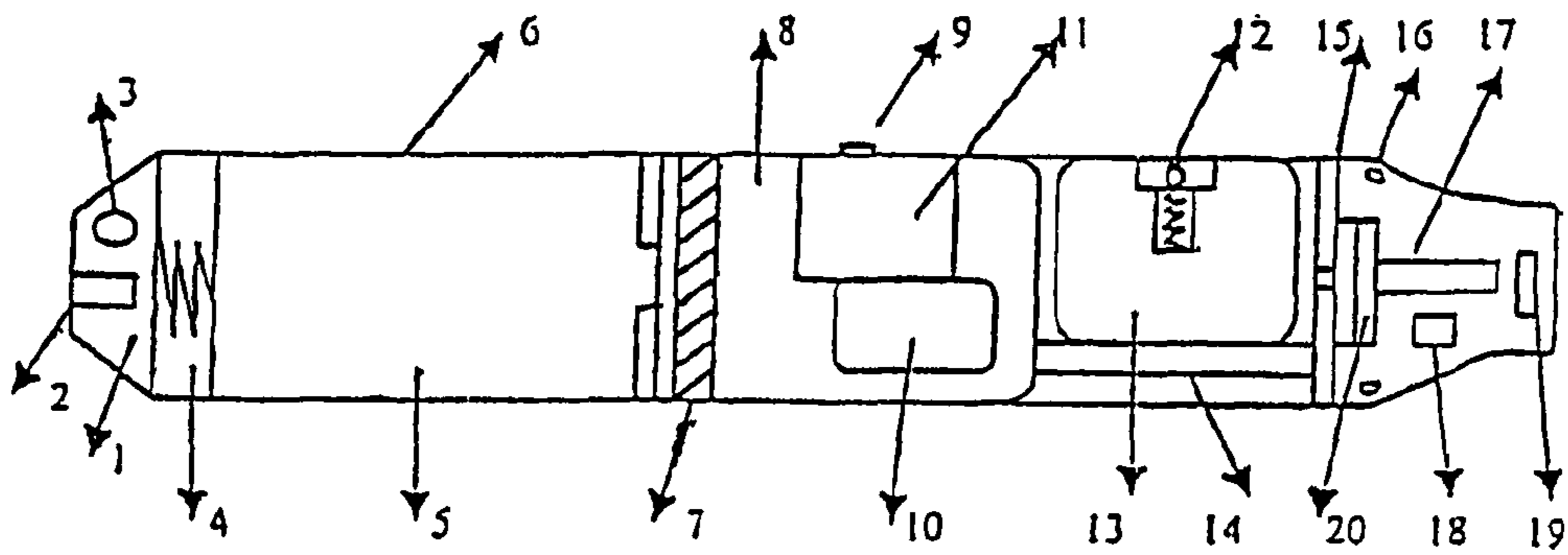


FIG. 1

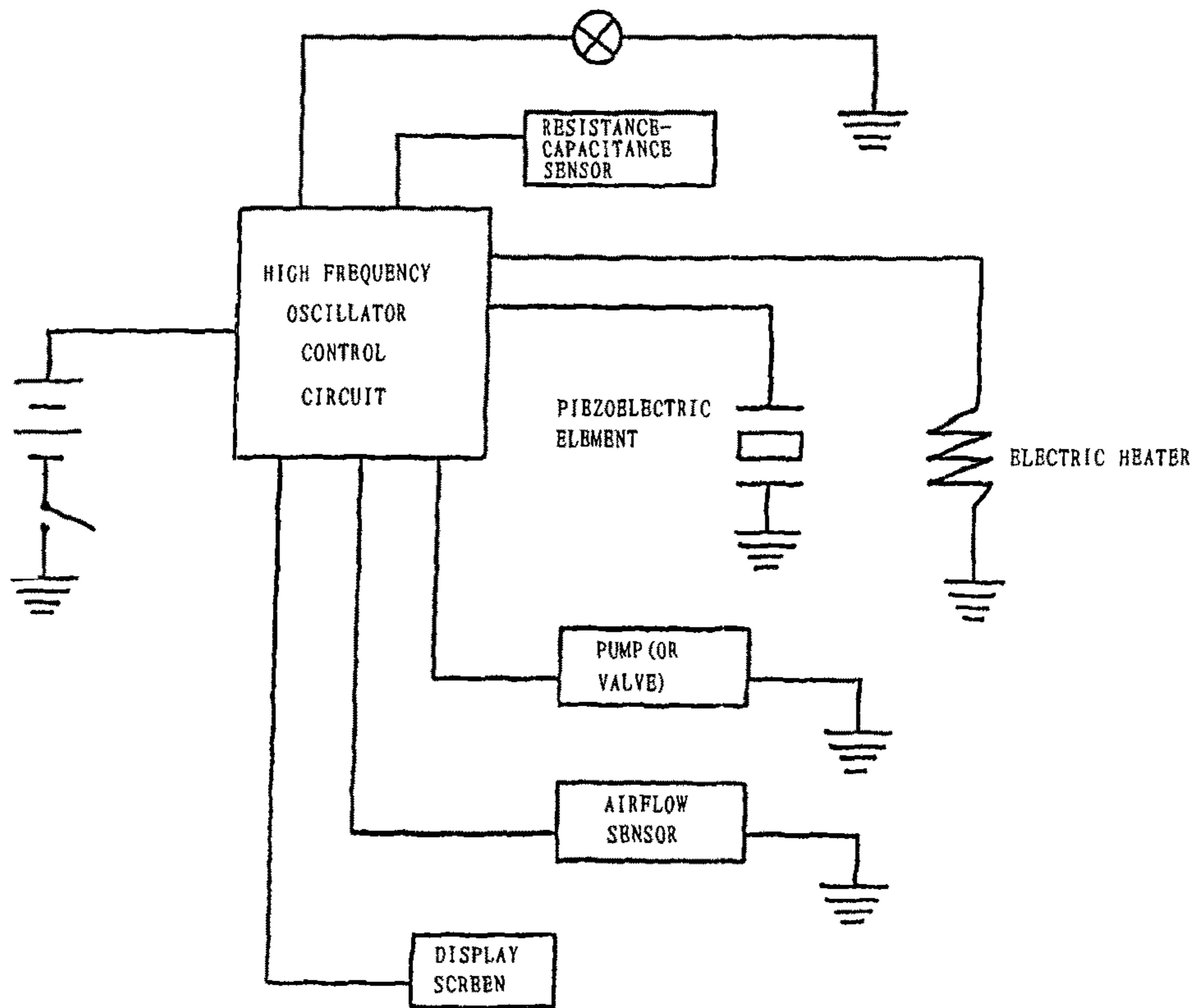


FIG. 2

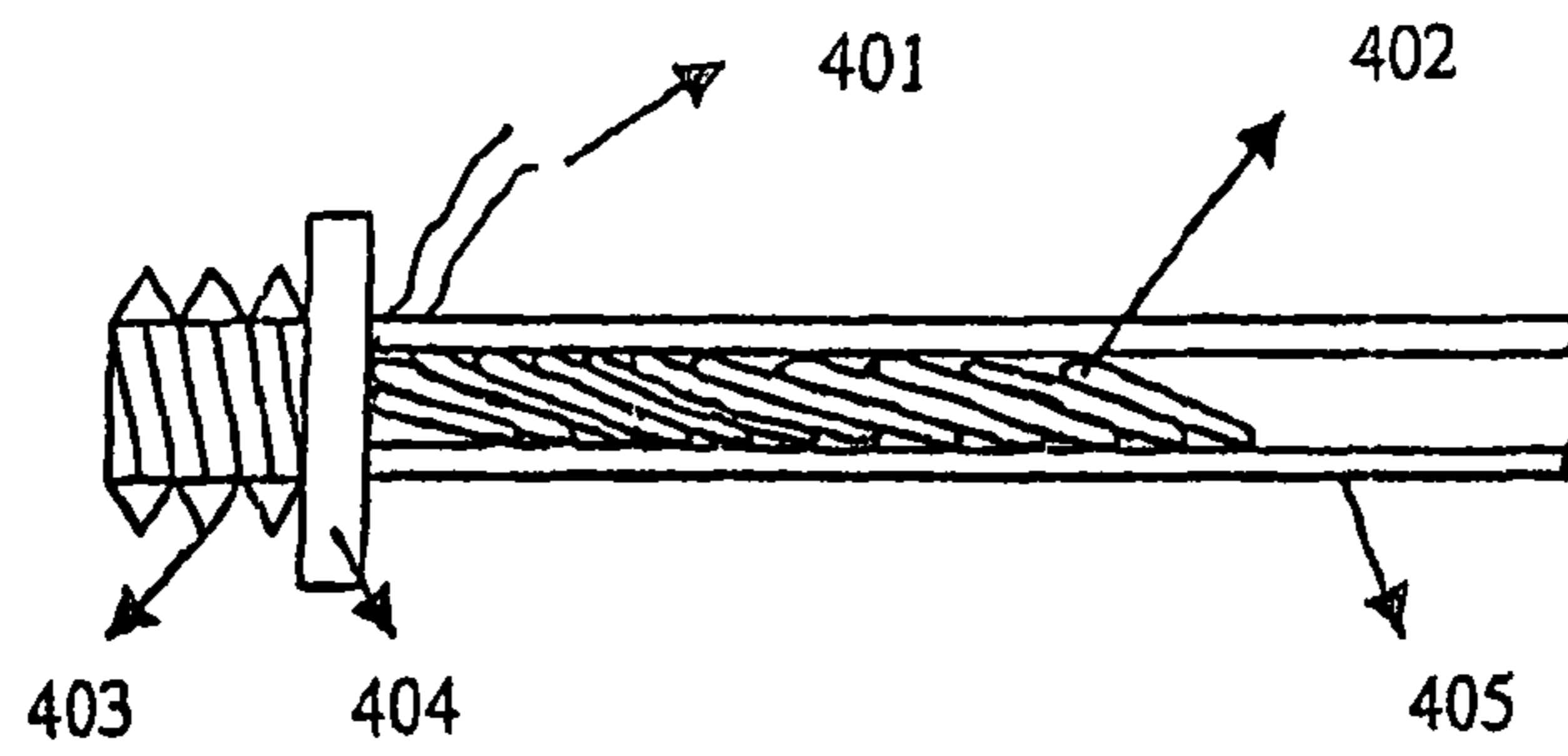


FIG. 3

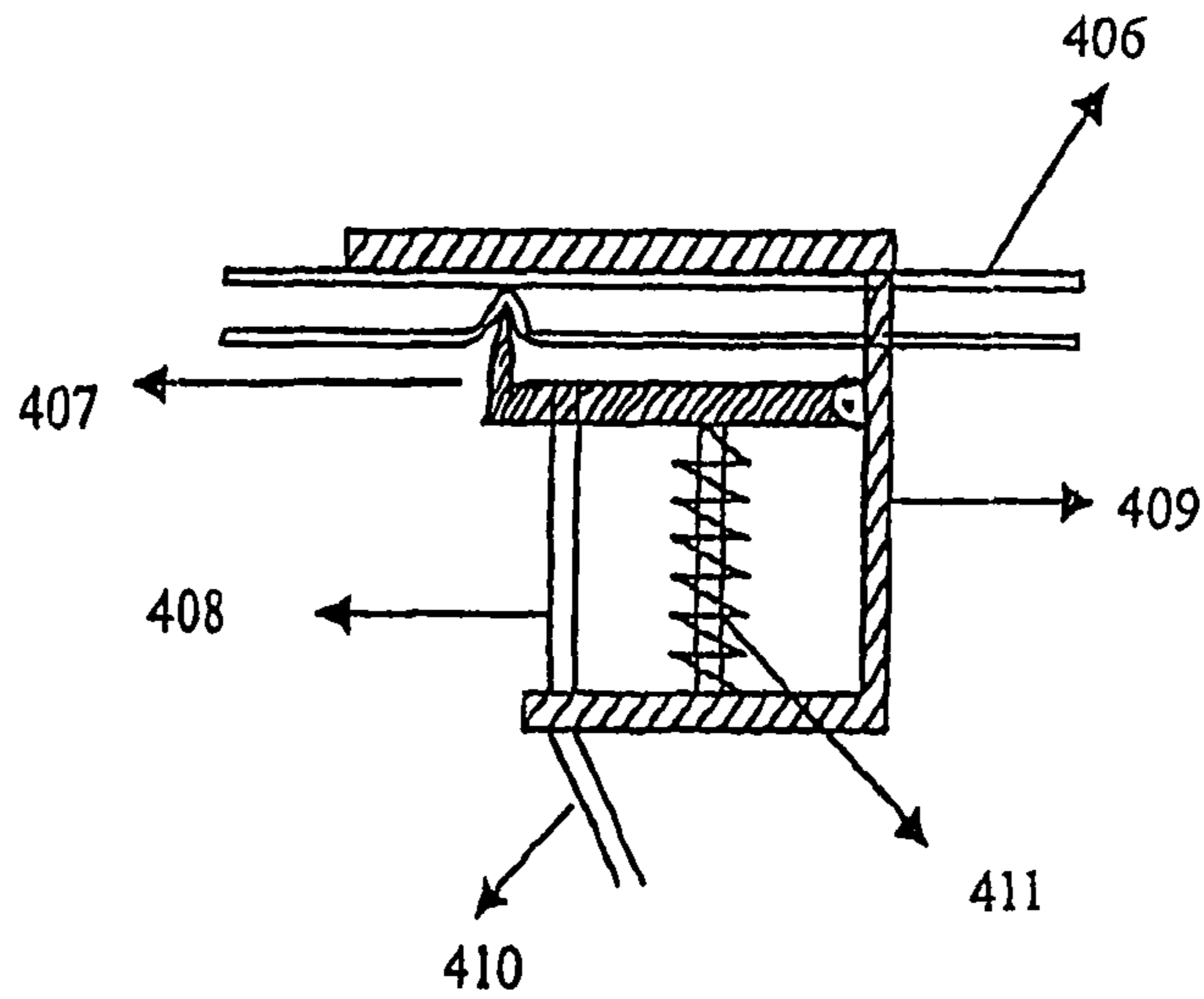


FIG. 4

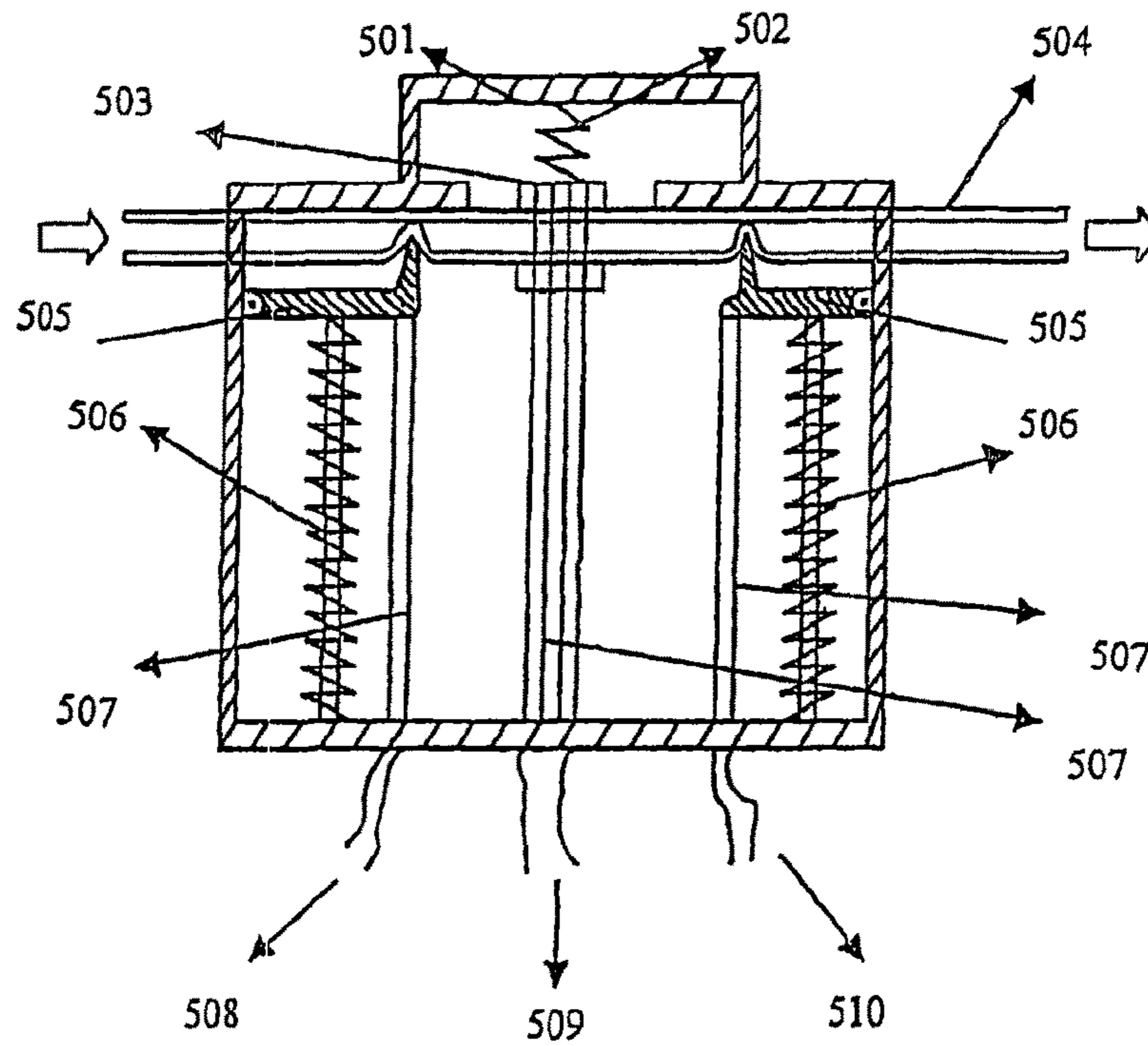


FIG. 5

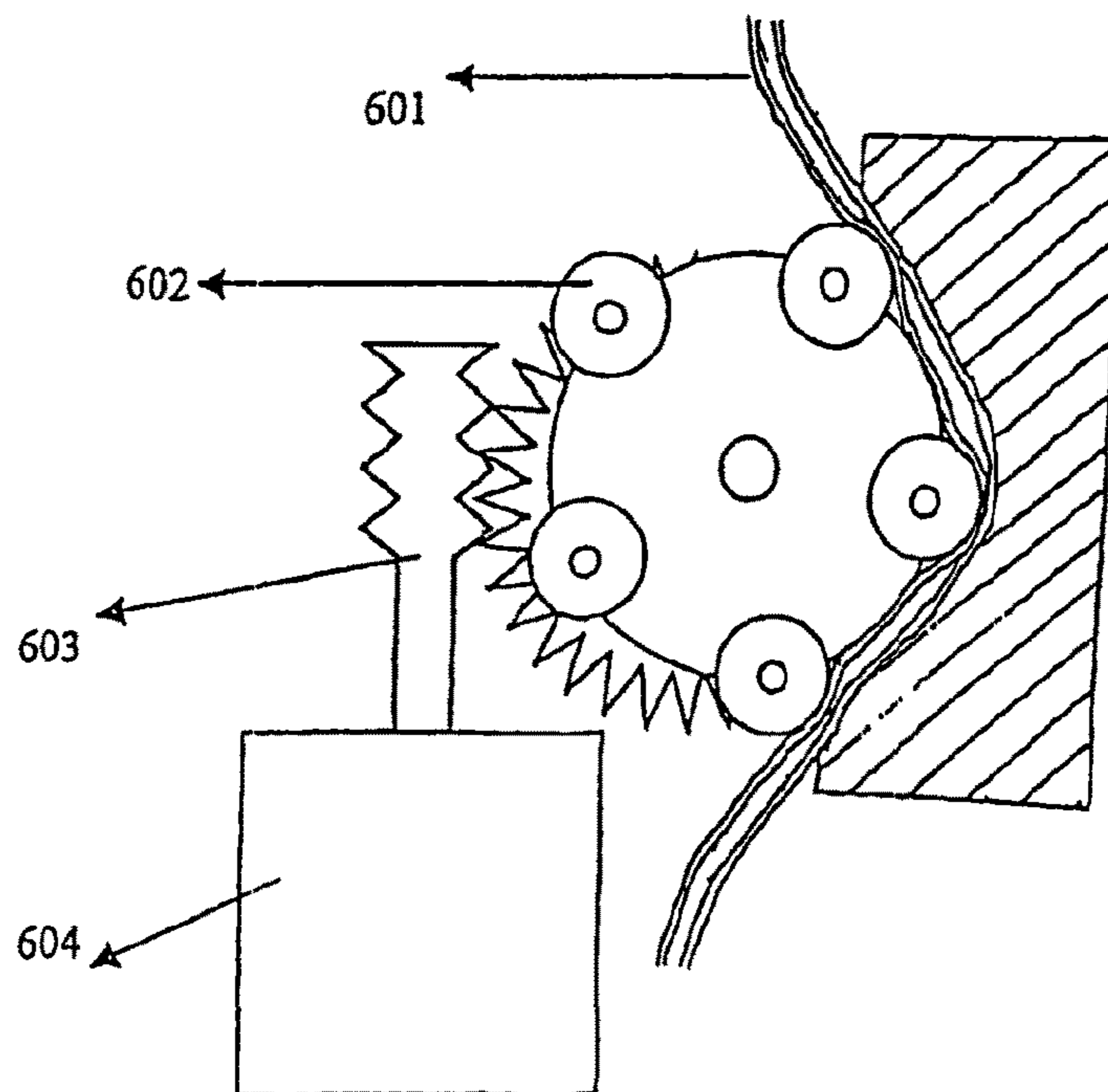


FIG. 6

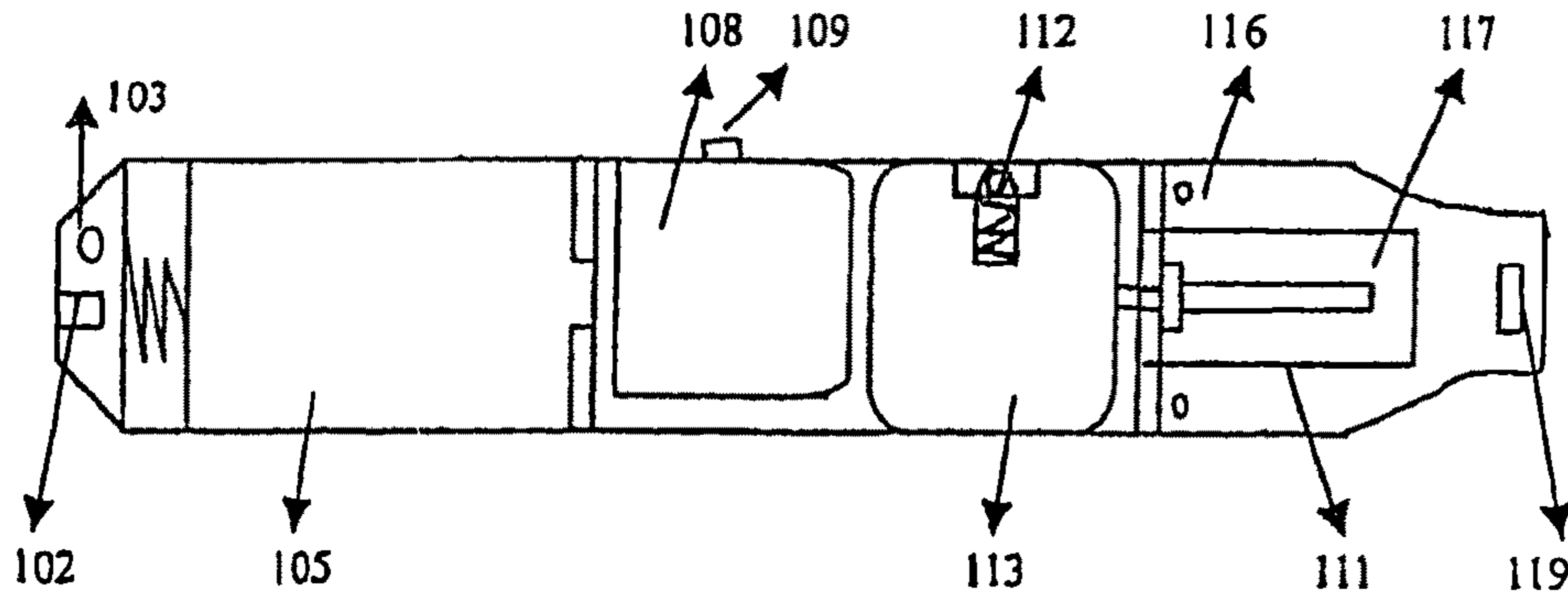


FIG. 7

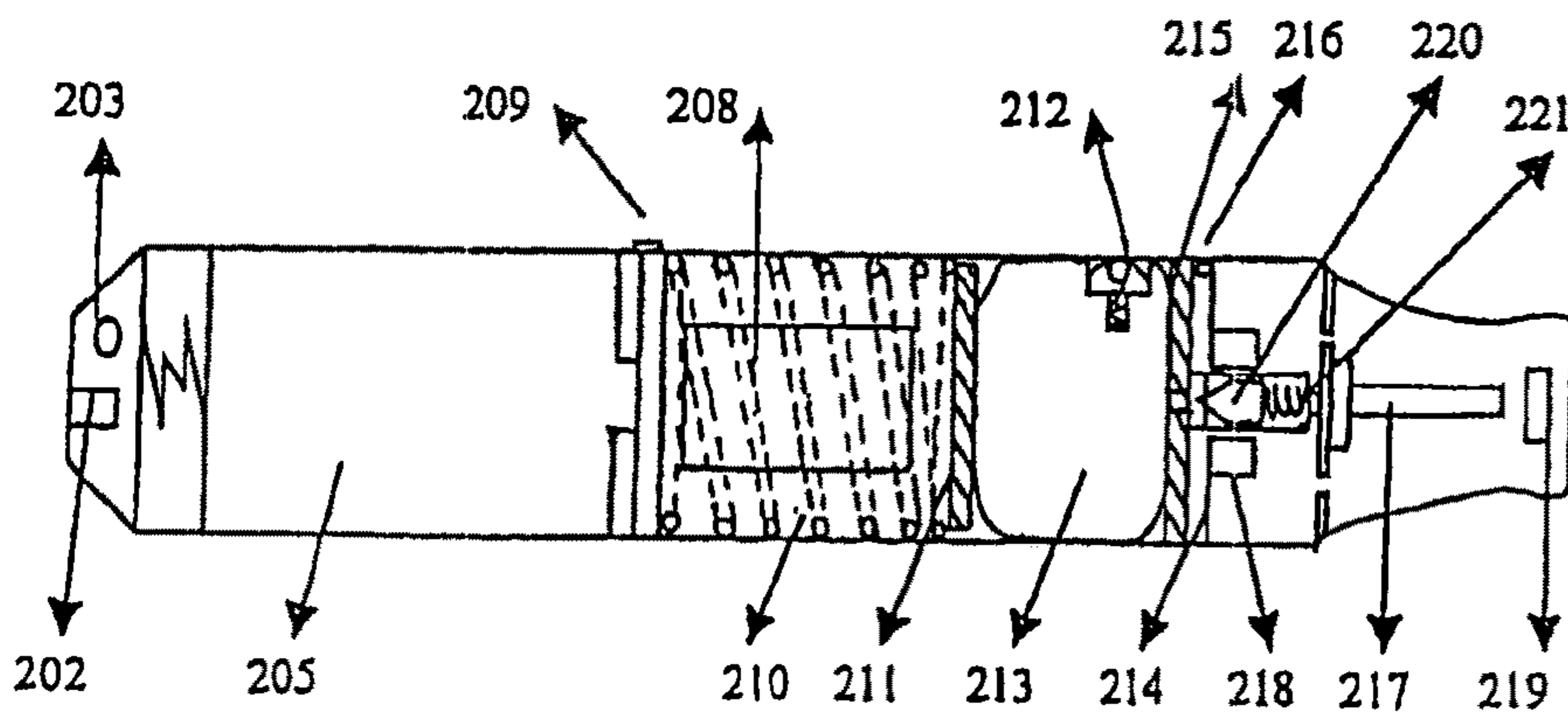


FIG. 8

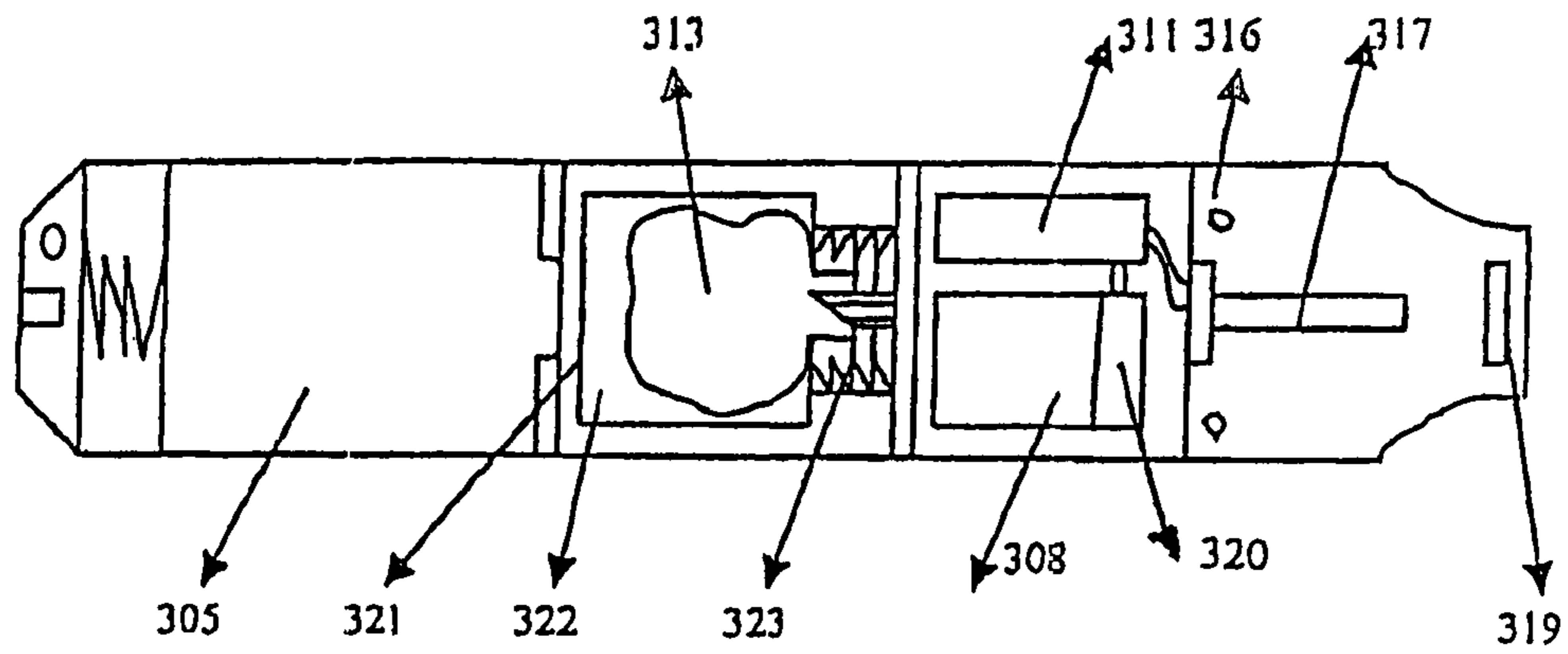


FIG. 9

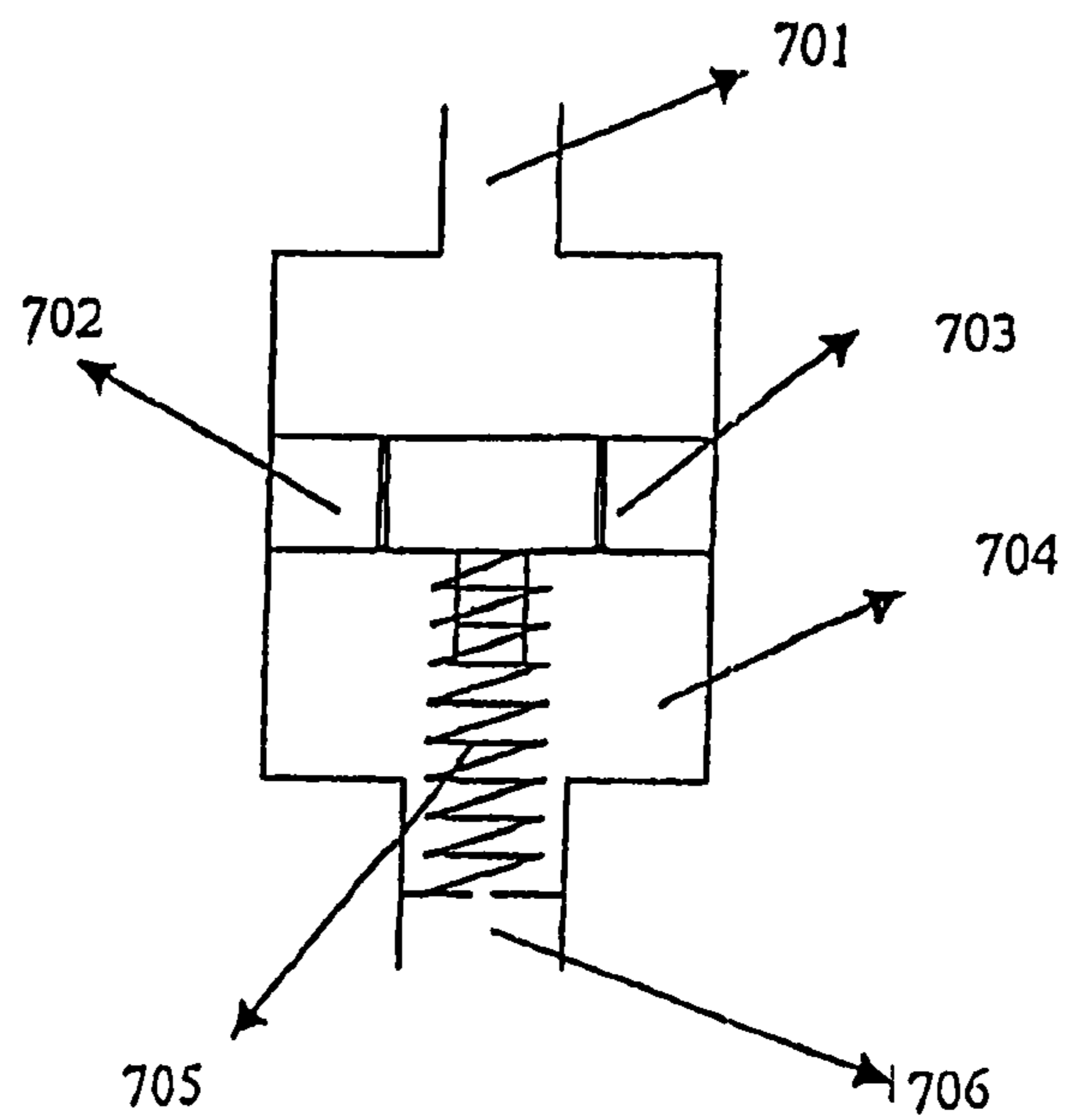


FIG. 10

ELECTRONIC CIGARETTE

Matter enclosed in heavy brackets [] appears in the original patent but forms no part of this reissue specification; matter printed in italics indicates the additions made by reissue; a claim printed with strikethrough indicates that the claim was canceled, disclaimed, or held invalid by a prior post-patent action or proceeding.

This Application is a Continuation of [U.S. patent application Ser. No. 13/548,659, filed Jul. 13, 2012 and now pending, which is a Continuation of] U.S. patent application Ser. No. 13/088,276 filed Apr. 15, 2011 and now [pending] U.S. Pat. No. 8,511,318, which is a Division of U.S. patent application Ser. No. 10/547,244 filed Feb. 27, 2006 and now abandoned, which is the U.S. National Phase Application of International Patent Application No. PCT/CN2004/000182 filed Mar. 8, 2004, which claims priority to Chinese Patent Application No. 03111582.9 filed Apr. 29, 2003. These applications are incorporated herein by reference.

TECHNICAL FIELD

The invention relates to an electronic cigarette which contains only nicotine without tar.

BACKGROUND ART

Despite it is commonly known that “smoking is harmful to your health”, the number of smokers worldwide is up to 1 billion, and the number is increasing every year. According to the statistical data from the World Health Organization, about 4.9 million people die of diseases caused by smoking each year. Although smoking may cause serious respiratory diseases and cancer, it remains extremely difficult for smokers to quit smoking completely.

The active ingredient in a cigarette is nicotine. During smoking, nicotine, along with a lot of tar aerosol droplets produced in the burning cigarette, enters smoker’s alveolus and is rapidly absorbed. After being absorbed into the blood of a smoker, nicotine then produces an effect on the receptors of the smoker’s central nervous system, which makes him/her relax and enjoy an inebriety similar to that produced by an exhilarant.

Nicotine is a kind of alkaloid with low molecular weight. A small dose of nicotine is essentially harmless to human body and its half-life in blood is quite short. The major harmful substance in tobacco is tar, and the tar in tobacco is composed of thousands of ingredients, tens of which are cancerogenic substances. At present, it has been proven that passive smoking can be more harmful on non-smokers.

Some cigarette substitutes that contain only nicotine without tar have been proposed, and many of them, such as “nicotine patch”, “nicotine mouthwash”, “nicotine chewing gum”, “nicotine drink” etc., are made of pure nicotine. Although these cigarette substitutes are free from tar, their major disadvantage is that an effective peak concentration cannot be reached in the blood of a smoker due to slow absorption of nicotine. In addition, these cigarette substitutes cannot satisfy habitual smoking actions of a smoker, for example, inhaling action or sucking action, and thus are not likely to be widely accepted as effective substitutes for quitting smoking.

SUMMARY OF THE INVENTION

An objective of the present invention is to provide an electronic cigarette that overcomes the above-mentioned

disadvantages and provides a cigarette that looks like a normal cigarette. The electronic cigarette, which is an integrated assembly resembling a cigarette holder, includes a shell, a cell, nicotine solution, a control circuit, a high temperature vaporization nozzle and accessories. An electro-thermal vaporization nozzle is arranged within an air suction end of the shell. The control circuit provides starting current to the electric heater within the vaporization nozzle. Under the high temperature in the vaporization nozzle, the liquid is rapidly vaporized to form a puff of smoke. The cell which provides power to the electric heater via the control circuit can be a disposable battery or a rechargeable battery.

The advantages of the present invention include smoking without tar, significantly reducing the cancerogenic risk. Furthermore, users still feel as if they are smoking, and the cigarette has no need to be lit and has no fire risk.

DESCRIPTION OF THE DRAWINGS

FIG. 1 is a structural diagram of the device in the first example in accordance with the present invention.

FIG. 2 is a block diagram of the circuit structure.

FIG. 3 is a schematic diagram of the structure of the high temperature vaporization nozzle and the electric-thermal element.

FIG. 4 is a schematic diagram of the valve made of memory alloy.

FIG. 5 is a schematic diagram of the peristaltic pump made of memory alloy.

FIG. 6 is a schematic diagram of the peristaltic pump.

FIG. 7 is a structural diagram of the electronic cigarette in a second example.

FIG. 8 is a structural diagram of the electronic cigarette in a third example.

FIG. 9 is a structural diagram of the electronic cigarette in a fourth example.

FIG. 10 is a structural diagram of the metering cavity in the fourth example.

DETAILED DESCRIPTION OF THE INVENTION

The high frequency generator of a control circuit board **8** is composed of a capacitance connecting three point type oscillator, an inductance connecting three point type oscillator, or a transformer-type oscillating circuit, which has the frequency of 35 KHz to 3.3 MHz. The circuit includes an automatic frequency fine-adjusting circuit resonating with a piezoelectric element **20**. A nicotine solution storage container **13** is made of silicon rubber, alternatively, other polymers that can be protected against the penetration of nicotine can be used. A one-way valve for liquid injection **12** is sealed by a ball or cone member under the pressure of a spring. An airflow sensor **18** can be comprised of an array of integrated thermal sensitive resistors in the shape of film. The electrode of a resistance or capacitance sensor **19**, which is sensitive to touches of human body, is composed of an upper metal film and a lower metal film and located at the end of the cigarette holder. The changes of the resistance or capacitance parameters due to human touch are inputted into the control circuit to perform the operation of a body sensitive switch.

The electric controlled pump **11**, driven by a motor or a linear motor, drives a retarder that has a large speed ratio, via a shaft coupling, to revolve at a low speed but with large torque. The pump can be a peristaltic pump, a plunger pump, an eccentric pump or a screw pump. Alternatively, the liquid

3

pump can use piezoelectric pump, a super magnetostrictive pump, a thermal expansion drive pump, a thermal contraction drive pump, a thermal bubble pump. The electric control pump or valve may be thermal contractible.

The valve is formed on a silicon rubber tube by nickel-titanium memory alloy or copper-based memory alloy under the force of electro-thermal contractions.

The electro-thermal vaporization nozzle **17** is made of high-temperature resistant materials with low thermal conductivity. The nozzle **17** is a tubule, with the internal diameter of 0.05-2mm and the effective working length of 3-20 mm. An electric heating element is provided within the nozzle, and the shapes of the electric heating element and the cavity of the nozzle are designed to facilitate vaporization and ejection of liquid. The vaporization nozzle **17** may be made of conventional ceramics, or be made of aluminum silicate ceramics, titanium oxide, zirconium dioxide, yttrium oxide ceramics, molten silicon, silicon dioxide, molten aluminum oxide. The vaporization nozzle **17** may be in the shape of straight tube or spiral, and may also be made from polytetrafluoroethylene, carbon fiber, glass fiber or other materials with similar properties.

The electric heating element arranged within the vaporization nozzle **17** may be made of wires of nickel chromium alloy, iron chromium aluminum alloy, stainless steel, gold, platinum, tungsten molybdenum alloy, etc., and may be in the shape of straight line, single spiral, double spiral, cluster or spiral cluster, wherein the straight line and cluster are preferred. The heating function of the electric heating element may be achieved by applying a heating coating on the inner wall of the tube, and the coating may be made from electro-thermal ceramic materials, semiconductor materials, corrosion-resistant metal films, such as gold, nickel, chromium, platinum and molybdenum. The method for coating can include a coat sintering process, a chemical deposition sintering process and an ion spraying process. The materials mentioned above can be provided within the inner wall of vaporization nozzle in any of the processes mentioned above.

The nozzle with high resistance, made of metal, can have no electric heating element being attached, and can be directly applied with heating current. Alternatively, the materials mentioned above can be arranged outside of the nozzle in any of the ways mentioned above, and an appropriate response time can also be achieved in the power supply mode of short-term preheating. Nicotine solution used in the atomization process comprises nicotine, propylene glycol, glycerol, organic acids, anti-oxidation agents, essence, water and alcohol, in which the nicotine content is 0.1%-6%, propylene glycol content 80%-90%, organic acids 0.2%-20%, the rest is glycerol, essence, anti-oxidation agents, water and alcohol.

EXAMPLE 1

The Structural Diagram of the Device Shown in FIG. 1

When a smoker puts the cigarette holder on his/her mouth, the resistance sensor **19** activates the control circuit board **8**. The control circuit board **8** then outputs two driving voltages respectively, one used to supply power to the electric heating element of the vaporization nozzle **17** and the other used to activate the micro pump **11** (shown in FIG. **6**). The stored solution is then pumped to the nozzle **17** by the solution storage container **13**. On the electric heating element of the nozzle **17**, the nicotine solution is then vaporized into high

4

temperature vapor which is subsequently ejected from the opening end. In the air, the vapor ejected out is then expanded and condensed into micro aerosol droplets.

The effect of the ultrasonic piezoelectric element **20** mounting on the nozzle is that, firstly, the large liquid droplets in the unstable thermal airflow under high pressure will be in sufficient contact with the electric heating element, and thereby be vaporized. Secondly, the liquid droplets in the nozzle **17** are directly fragmented and atomized. Thirdly, possible bumping when the liquid is above a boiling point will be avoided. The effect of integrated atomization will allow aerosol droplets with diameters of 0.2-3 um to enter into the alveolus easily and be absorbed. The airflow sensor **18** is sensitive to the diluted air which enters through air inlet **16** when a "suction" action take places. The sensed signals are transmitted to the control circuit, and the control circuit then stop to supply power to the micro pump and the electric heater after a certain time delay.

The relay relationship between the time delays of the micro pump and electric heater is as follows: after the electric heater is activated, the micro pump is activated after a time delay of 0.1-0.5 seconds; the electric heater is then turned off after a time delay of 0.2-0.5 seconds when the control circuit of the micro pump is turned off, so as to guarantee a complete vaporization of the liquid after quantitative liquid injection without any leftovers.

The nicotine solution container may be designed to be different sizes as required. The nicotine solution may be refilled once a day, or once a couple of days. The liquid crystal display screen **10** can show operating state parameters, such as cell capacity, smoking times per day, average using cycle and warnings for over smoking. A red LED **3** blinks for each smoking action, and a sawtooth wave signal that lasts for 1.2 seconds is given by the control circuit for blinking signals, which provides a gradual change of luminance to imitate the ignition and combustion process of a conventional cigarette. The charger **1**, charging jack **2**, spring **4**, shell **6**, threads **7**, switch **9**, passage tube **14** and baffle plate **15** are shown in FIG. **1**. The silicon gel tube **601**, pinch roller **602**, worm **603** and motor **604** are shown in FIG. **6**.

The control circuit and the ultrasonic micro pump may be integrated on one single chip by using a Micro Electronic Mechanical System (MEMS).

EXAMPLE 2

The Simplified Electronic Cigarette

FIG. **7** is a structural diagram of the simplified device in which the ultrasonic atomization high frequency generator and the piezoelectric ceramic element **20** are omitted. To achieve a desirable atomization effect, tiny heating wires are used in combination with the nozzle (see FIG. **3**), so that the maximum diameters of one or more vaporization cavities formed between the heating wire and the inner wall of the nozzle range from 0.02 mm to 0.6 mm. The function of the airflow sensor **18** omitted is replaced by the manner that the initial signal of the resistance or capacitance sensor **119** is delayed a certain time via the control circuit and acts as the ending signal. The electronic cigarette is configured as follows: the vaporization nozzle **117**, the thermal drive pump **111** (see FIG. **5**) made of nickel titanium memory alloy wire, and the liquid storage container **113** connected to the thermal drive pump constitute a liquid transmission system. Two outputs of the control circuit board **108** are respectively connected to the electric heater and the pump or

valve. A body sensitive resistance sensor **119** is connected to the input of the control circuit. The cell **105** and red LED **103** are provided in the front end within the shell, and resemble a cigarette holder, a pipe or a pen.

The thermal drive pump is an electro-thermal shrinkable peristaltic pump, made of wires of nickel titanium memory alloy or copper based alloy, with gel tube which is pressed at three points respectively during the process of electro-thermal contraction to form a pressure cavity for pumping out liquid. The change of volume of the cavity within the thermal drive pump determines the quantity of the solution to be atomized each time. Upon contacting with user's mouth, the resistance sensor **119** activates the control circuit **108**, the control circuit **108** then provides operating current to the thermal drive pump and the electric heater, and the output of the control circuit is turned off after the delay of 2 seconds for reactivation at the next smoking action. Alternatively, a thermal expansion drive pump or a thermal bubble pump is also applicable. The thermal expansion drive pump forms a pressure cavity for pumping out liquid by allowing a micro hydrogen container with an embedded electric heating element to block the liquid inlet and open the liquid outlet at the time of thermal expansion. The charging jack **102**, LED **103**, cell **105**, switch **109**, liquid-refilling valve **112** and air hole **116** are shown in FIG. 7.

The electrode lead wire **401**, heating wire **402**, thread **403**, base **404** and nozzle **405** are shown in FIG. 3. The support **501**, extension spring **502**, pumping-out pressure plate **503**, silicon gel tube **504**, stop pressure plate **505**, supporting spring **506**, memory alloy wire **507**, electrode A **508**, electrode B **509** and electrode **510** are shown in FIG. 5.

EXAMPLE 3

The Electronic Cigarette Made of a Ni-Ti Memory Alloy

FIG. 8 is a structural diagram of the electronic cigarette. The electro-thermal vaporization nozzle **217** of the device is connected to the liquid storage container **213** via a pneumatic valve **220**. The super elastic member **210** is connected to the pressure plate **211** which is connected to the liquid storage container **213**. The pneumatic valve is composed of a pneumatic film **214**, a magnetic steel ring **218**, a steel valve needle **220** and a reset spring **221**. The super elastic member **210**, which is made of Ni-Ti memory alloy, is used to apply a constant pressure on the liquid storage container via the pressure plate **211**. When the pneumatic valve opens, the liquid with nicotine enters the vaporization nozzle from the liquid storage container via the pneumatic valve and is vaporized and condensed subsequently to form a puff of smoke at high temperature. Upon contacting with user's mouth, the resistance sensor activates the control circuit to supply power to the electric heater. When the user performs suction action, the Nd-Fe-B permanent magnetic alloy ring attracts the valve needle to move in response to the pneumatic film being subjected to negative pressure. Liquid is supplied when the valve needle opens, and after the pneumatic valve is reset, power supply to the electric heater is turned off after the delay of 0.5 seconds by the control circuit. The LED **203**, charging jack **202**, cell **205**, control circuit **208**, switch **209**, refilling valve **212**, baffle plate **215**, air hole **216** and resistance sensor **219** are shown in FIG. 8

EXAMPLE 4

The Electronic Spray Cigarette Utilizing the Pressure of a Container

In the device (see FIG. 9), the electro-thermal vaporization nozzle **317**, the electronic valve **311** connected with the

metering cavity **320**, and the liquid storage container **313** form a liquid transmission passage. A gas vessel filled with high-pressure nitrogen is arranged around the periphery of the liquid storage container to exert pressure thereon to facilitate the transmission of the liquid. When a control signal is applied to the electronic valve, the electronic valve is activated, and the solution with nicotine enters the metering cavity from the liquid storage container under pressure. The solution pushes a piston so as to allow a constant volume of liquid at the other side of the piston to enter the vaporization nozzle via the electronic valve. The metering cavity provided at the valve is a cylinder having a liquid inlet and a liquid outlet. Located within the cylinder are the piston micro holes and the reset spring connected onto the piston. The control circuit which is activated by the resistance sensor **319** controls the states of the electronic valve and the electric heater respectively. Due to slow infiltration of the micro hole of the piston in the metering cavity and the force of the reset spring, the piston returns to its original position within 5-8 seconds after each atomization process. The cell **305**, pressure vessel **321**, pressure chamber **322**, seal threaded-opening **323**, control circuit board **308** and air hole **316** are showed in FIG. 9.

The silicon gel tube **406**, pressure-stopping plate **407**, memory alloy wires **408**, support **409**, electrode lead wire **410** and pressure spring **411** are shown in FIG. 4. The inlet **701**, piston **702**, micro hole of the piston **703**, metering cavity **704**, reset spring **705** and outlet **706** are shown in FIG. 10.

The recipes of nicotine solution used are:

1. 6% nicotine, 85% propylene glycol, 2% glycerol, 2% essence, 1% organic acid and 1% anti-oxidation agent;
2. 4% nicotine, 80% propylene glycol, 5% glycerol, 1% butyl valerate, 1% isopentyl hexonate, 0.6% lauryl laurate, 0.4% benzyl benzoate, 0.5% methyl octynicate, 0.2% ethyl heptylate, 0.3% hexyl hexanoate, 2% geranyl butyrate, 0.5% menthol, 0.5% citric acid and 4% tobacco essence;
3. 2% nicotine, 90% propylene glycol, 2.5% citric acid, 1% essence and 4.5% tobacco essence;
4. 0.1% nicotine, 80% propylene glycol, 5% glycerol, 8% alcohol, 2.9% water, 1% essence, 1% tobacco essence and 2% organic acid.

The invention claimed is:

1. An electronic cigarette, comprising:
 - a housing having an inlet and an outlet;
 - a battery and an atomizer in the housing, with the atomizer including a tube having a metal wire heater coil within the tube electrically linked to the battery;
 - a liquid [source] container in the housing and outside of the tube;
 - with liquid in the liquid [source] container capable of moving from the liquid [source] container into the tube and contacting the wire heater coil to create vapor formed within the tube.
2. The electronic cigarette of claim 1 with the tube comprising a fiber material.
3. The electronic cigarette of claim 1 wherein the wire heating coil is in contact with the tube.
4. The electronic cigarette of claim 1 further comprising a base attached to the tube.
5. The electronic cigarette of claim 4 further comprising screw threads on the base.
6. The electronic cigarette of claim 1 with the tube having an inner diameter of .05 to 2 mm.
7. The electronic cigarette of claim 6 with the tube having a length of 3-20 mm.

7

8. The electronic cigarette of claim 1 with an unobstructed flow path between the tube and the outlet.

9. The electronic cigarette of claim 1 with the housing having a first section attached to a second section.

10. The electronic cigarette of claim 9 with the inlet in the first section and the outlet in the second section.

11. The electronic cigarette of claim 9 with the battery in the first section and the atomizer and the liquid [source] *container* in the second section.

12. An electronic cigarette, comprising:

a housing having an inlet and an outlet;

a battery and an atomizer in the housing including a vaporization tube, a wire heater coil within the vaporization tube electrically connectable to the battery, and with the vaporization tube having a first end connected to receive liquid from a liquid [source] *container* outside of the vaporization tube, and a second open end to allow vapor, formed within the vaporization tube from liquid from the liquid [source] *container*, to flow out of the vaporization tube of the atomizer, and out of the outlet of the housing; and

with a longitudinal axis of the wire heater coil substantially parallel to a longitudinal axis of the vaporization tube.

13. The electronic cigarette of claim 12 with liquid from the liquid [source] *container* moving into direct contact with the wire heater coil in the vaporization tube.

[14. The electronic cigarette of claim 12 wherein a central section of the heating coil is in contact with the vaporization tube.]

8

15. The electronic cigarette of claim 12 with an unobstructed flow path between the second open end of the vaporization tube and the outlet of the housing.

16. The electronic cigarette of claim 12 with the vaporization tube comprising a fiber material and the wire heater coil comprising metal.

17. An electronic cigarette comprising:

a housing, an air inlet leading into the housing, and an air outlet leading out of the housing;

a battery, a control circuit, a sensor, and a vaporization nozzle in the housing, with the control circuit electrically connected to the battery and to the sensor;

the vaporization nozzle including a coil heating element within a tube and with the coil heating element electrically connected to the control circuit; and

a solution storage *container* in the housing outside of the tube, wherein solution in the solution storage *container* is capable of moving from the solution storage *container* into the tube, *wherein the solution is vaporized in the tube.*

[18. The electronic cigarette of claim 17 wherein a central section of the heating coil is in contact with the vaporization nozzle.]

19. The electronic cigarette of claim 17 with an unobstructed flow path between the vaporization nozzle and the air outlet.

20. The electronic cigarette of claim 17 with the vaporization nozzle comprising a fiber material and the wire heater coil comprising metal.

* * * * *