



US00RE47467E

(19) **United States**
(12) **Reissued Patent**
Bartlett et al.

(10) **Patent Number:** **US RE47,467 E**
(45) **Date of Reissued Patent:** **Jul. 2, 2019**

(54) **LAVATORY**

(57) **CLAIM**

(71) Applicant: **Bradley Fixtures Corporation**,
Menomonee Falls, WI (US)

We claim the ornamental design for a lavatory, as shown and described.

(72) Inventors: **Lauren Clarise Bartlett**, Wauwatosa,
WI (US); **Douglas John Carpiaux**,
Milwaukee, WI (US); **William L. Haas**,
Richfield, WI (US)

DESCRIPTION

(73) Assignee: **Bradley Fixtures Corporation**,
Menomonee Falls, WI (US)

(21) Appl. No.: **29/612,895**

(22) Filed: **Aug. 4, 2017**

Related U.S. Patent Documents

Reissue of:

(64) Patent No.: **Des. 735,837**
Issued: **Aug. 4, 2015**
Appl. No.: **29/511,179**
Filed: **Dec. 8, 2014**

FIG. 1 is a perspective view of an embodiment of the claimed design;
FIG. 2 is a front view thereof;
FIG. 3 is a rear view thereof;
FIG. 4 is a top view thereof;
FIG. 5 is a bottom view thereof;
FIG. 6 is a left side view thereof;
FIG. 7 is a right side view thereof;
FIG. 8 is a section view thereof taken along line 8-8 in FIG. 4; [and,]

FIG. 9 is a section view thereof taken along line 9-9 in FIG. 4[.];

FIG. 10 is a perspective view of another embodiment of the claimed design;

FIG. 11 is a front view thereof;

FIG. 12 is a rear view thereof;

FIG. 13 is a top view thereof;

FIG. 14 is a bottom view thereof;

FIG. 15 is a left side view thereof;

FIG. 16 is a right side view thereof;

FIG. 17 is a section view thereof taken along line 17-17 in FIG. 13; and,

FIG. 18 is a section view thereof taken along line 18-18 in FIG. 13.

The ornamental design which is claimed is shown in solid lines in the drawings. The broken lines in the drawings are for illustrative purposes only and form no part of the claimed design. Broken lines formed by equal length dashes show unclaimed portions of the design. Broken lines formed of unequal length dashes (i.e., dash-dot) show boundaries between claimed and unclaimed portions of the design.

(51) **LOC (11) Cl.** **23-02**

(52) **U.S. Cl.**
USPC **D23/290**

(58) **Field of Classification Search**
USPC ... D23/284, 286, 287, 290, 291, 293.1, 303,
D23/308; D24/234

(Continued)

(56) **References Cited**

U.S. PATENT DOCUMENTS

D171,756 S 3/1954 Haggstrom
2,767,407 A 10/1956 Weiss
(Continued)

FOREIGN PATENT DOCUMENTS

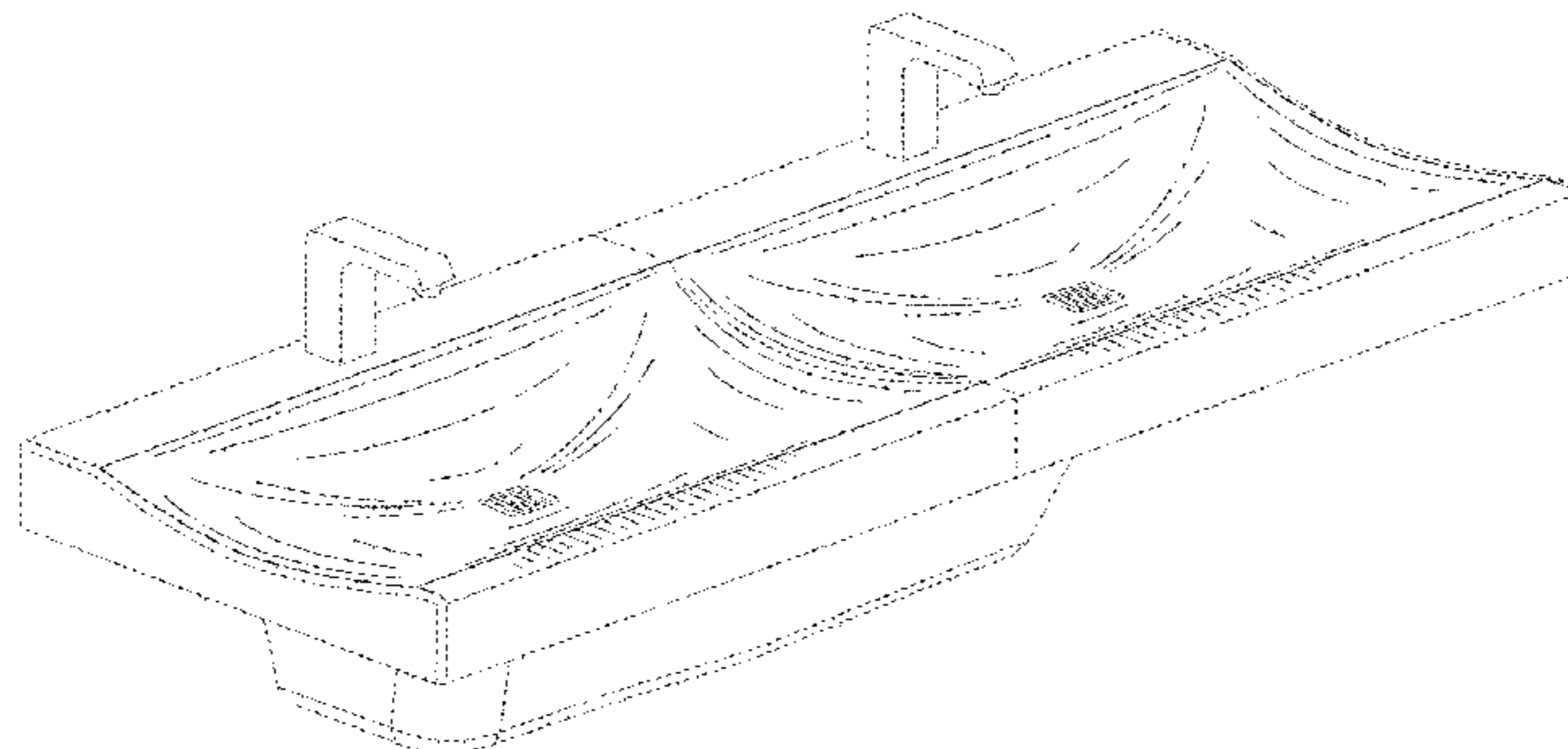
EM 779202 1/2004
EM 947271 3/2004
(Continued)

Primary Examiner — Philip S Hyder

(74) Attorney, Agent, or Firm — Boyle Fredrickson, S.C.

1 Claim, 16 Drawing Sheets

Matter enclosed in heavy brackets [] appears in the original patent but forms no part of this reissue; matter printed in italics indicates the additions made by reissue.



US RE47,467 E

Page 2

- (58) **Field of Classification Search**
CPC A47K 1/04; A47B 77/06; A47J 47/20
See application file for complete search history.

- (56) **References Cited**
U.S. PATENT DOCUMENTS

D187,017 S 1/1960 Wald
D198,016 S 4/1964 Kaiser
D207,249 S 3/1967 Kaiser
D208,394 S 8/1967 Kaiser
D208,966 S 10/1967 Kaiser
3,451,068 A 6/1969 Phillips, Jr.
3,508,282 A 4/1970 Phillips, Jr.
D225,403 S 12/1972 Brendgord
D251,795 S 5/1979 McCann
D319,691 S 9/1991 Yvetot
D353,448 S 12/1994 Chiu
5,611,093 A 3/1997 Barnum et al.
D434,124 S 11/2000 McKeone
D492,015 S 6/2004 Kergoet
D518,560 S 4/2006 Arkay-Leliever
7,039,963 B2 5/2006 Loberger et al.
D538,407 S 3/2007 Bates et al.
D538,905 S 3/2007 Wano
D545,414 S 6/2007 Maruhashi et al.
D545,415 S 6/2007 Tani et al.
D563,533 S 3/2008 Kakihana et al.
D592,292 S 5/2009 Kakihana et al.
D598,081 S 8/2009 Soulier
D598,989 S 8/2009 Kakihana et al.

D598,990 S 8/2009 Durringer et al.
D611,128 S 3/2010 Soulier
D622,365 S 8/2010 Schonherr et al.
D624,632 S 9/2010 Booth et al.
D625,792 S 10/2010 Rundberg et al.
D629,877 S 12/2010 Rundberg
D646,365 S 10/2011 Parekh
D663,016 S 7/2012 Figurski et al.
D687,530 S 8/2013 McGuire et al.

FOREIGN PATENT DOCUMENTS

EM 1151001 3/2004
EM 1151003 3/2004
EM 1959871 9/2004
EM 1769871 11/2004
EM 2305941 12/2004
EM 2502122 1/2005
EM 3086713 3/2005
EM 3086714 3/2005
EM 3086715 3/2005
EM 5678702 9/2006
EM 8533203 2/2008
EM 8686742 9/2008
EM 110168723 4/2009
EM 11203728 5/2009
EM 15528376 7/2009
EM 7592047 10/2009
EM 7232752 11/2009
EM 162804118 11/2009
EM 18733325 6/2011
WO DM50901 2/2000
WO DM72571 10/2009

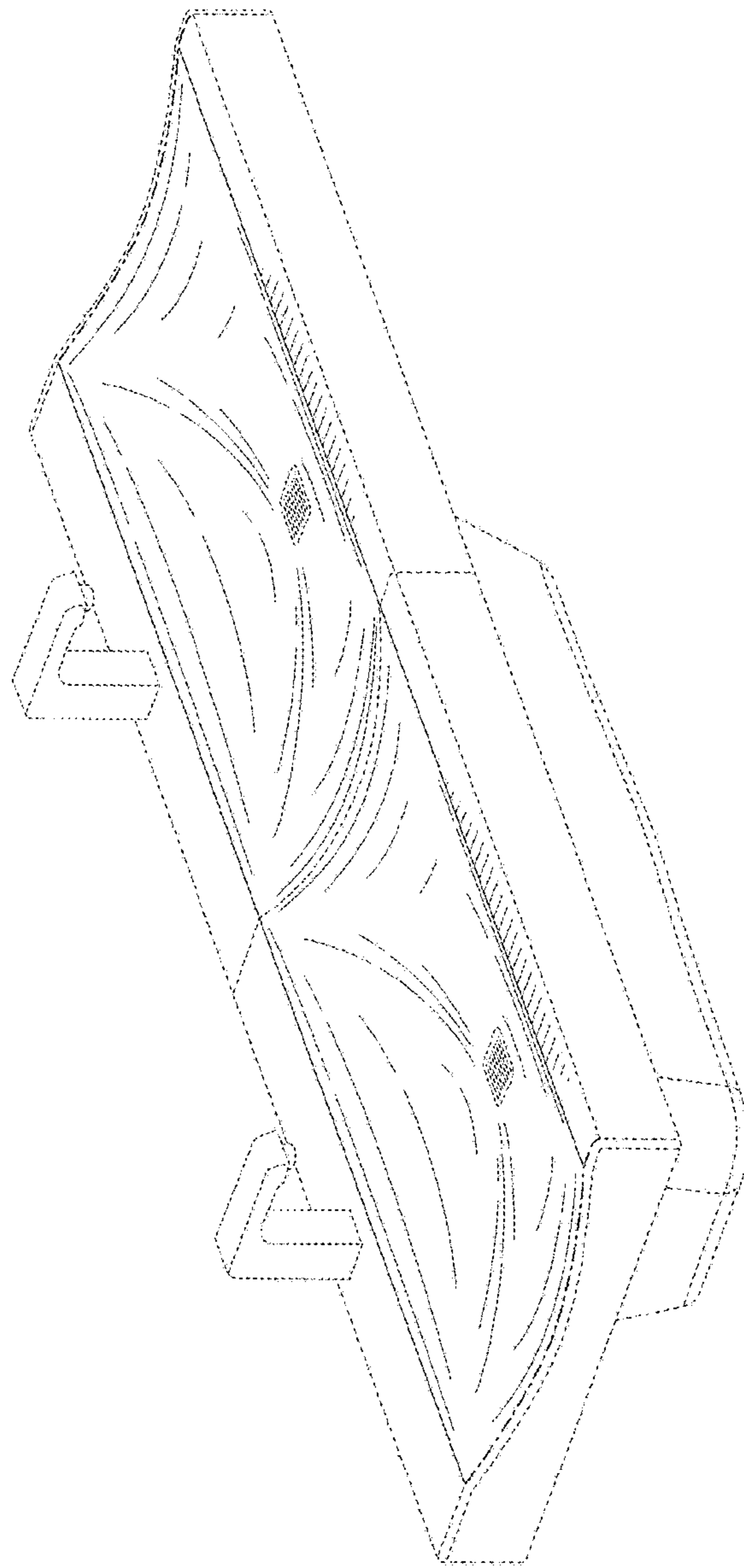


FIG. 1

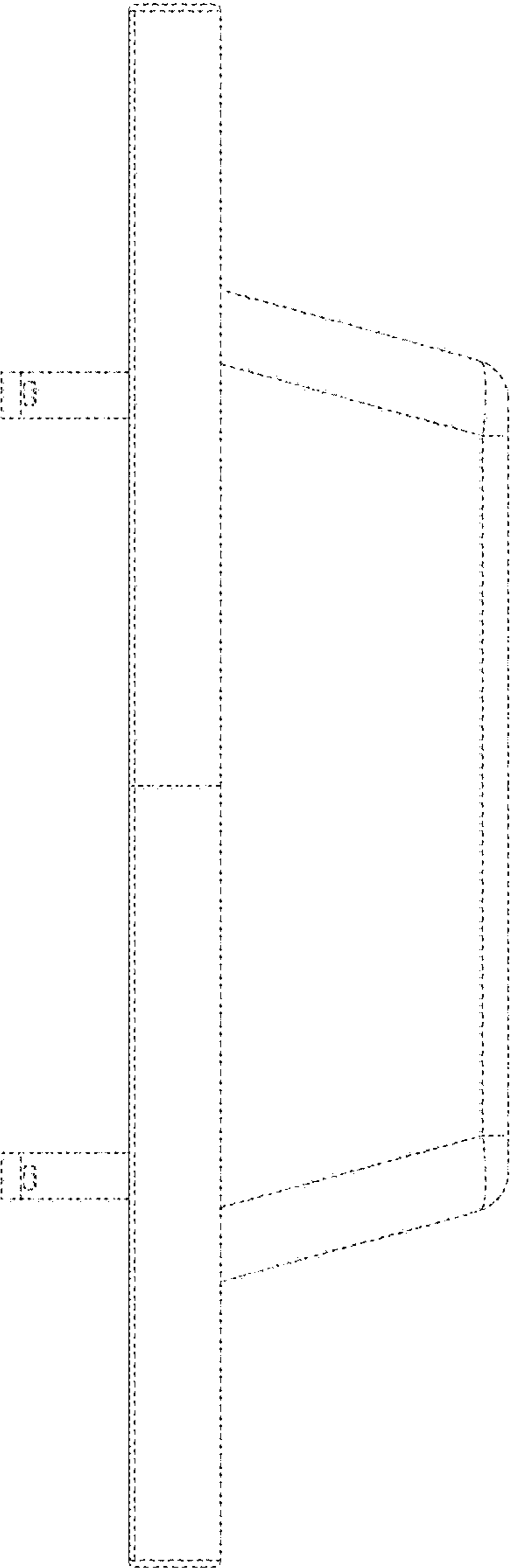


FIG. 2

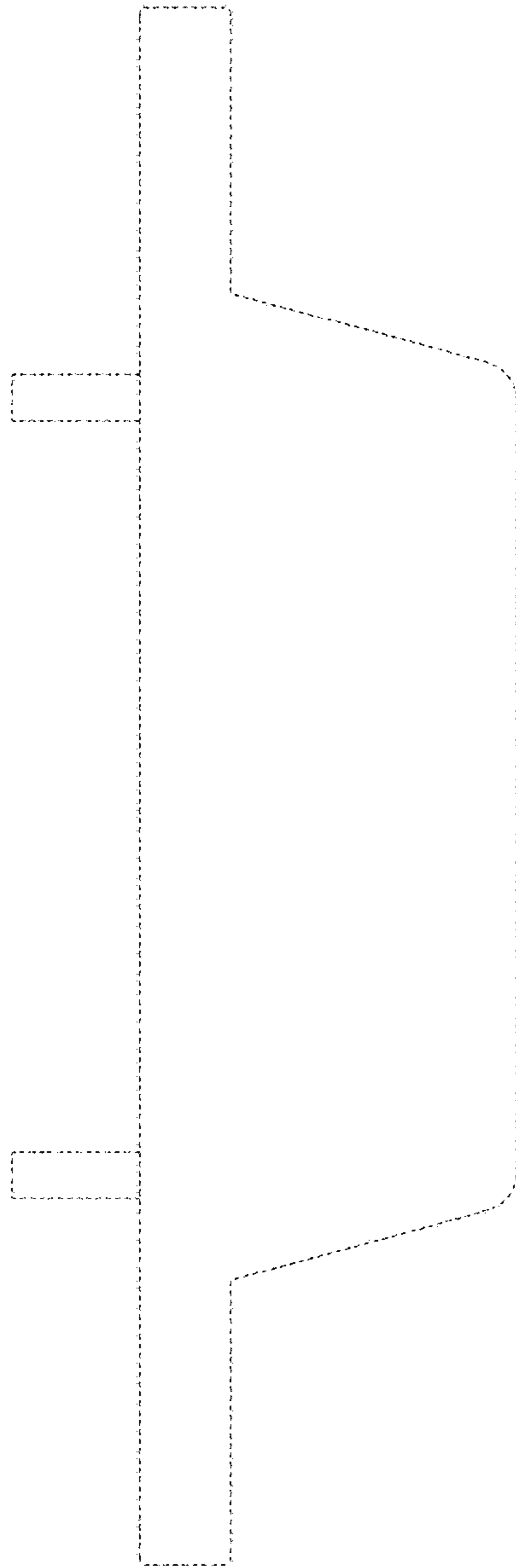


FIG. 3

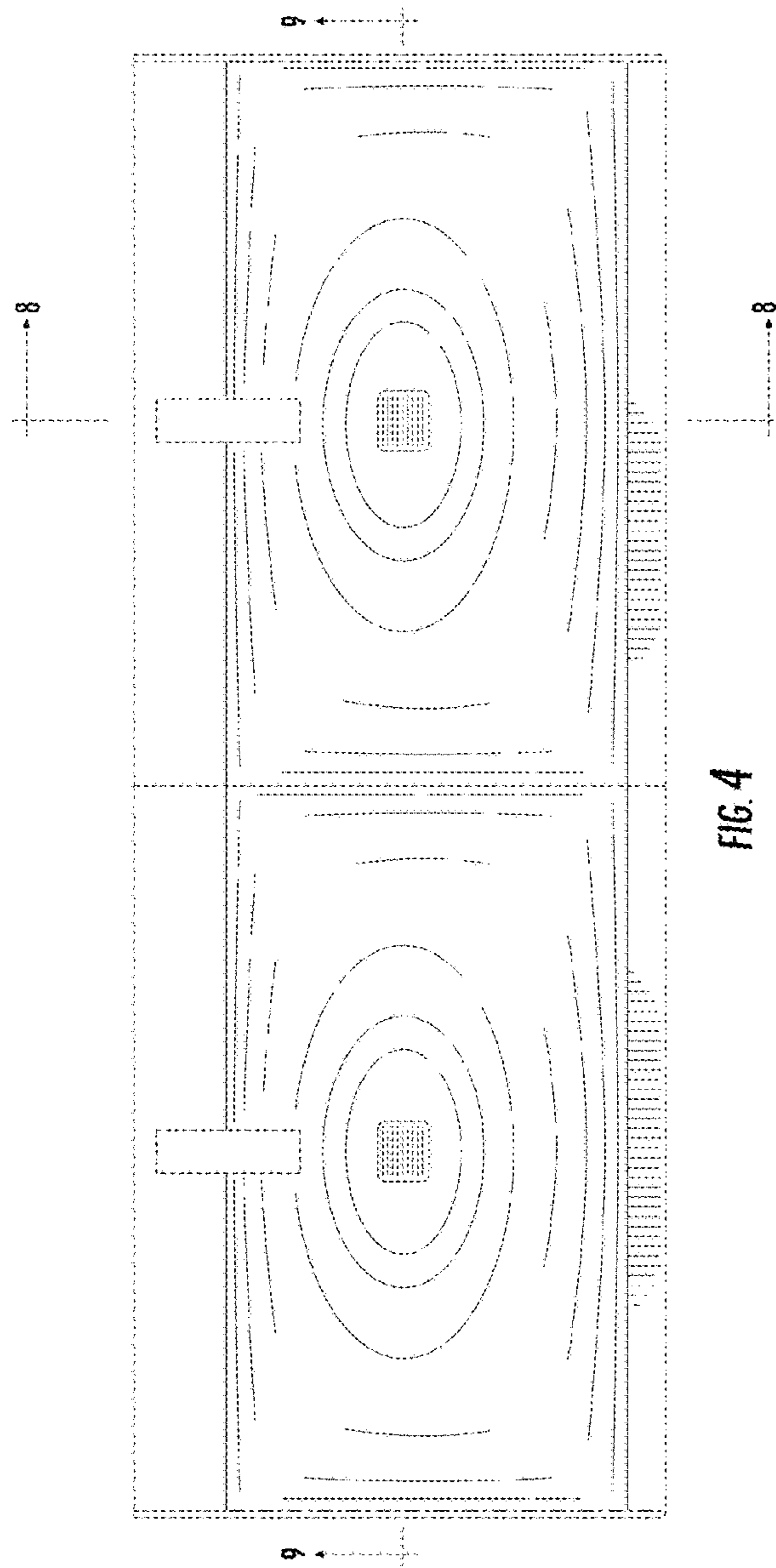


FIG. 4

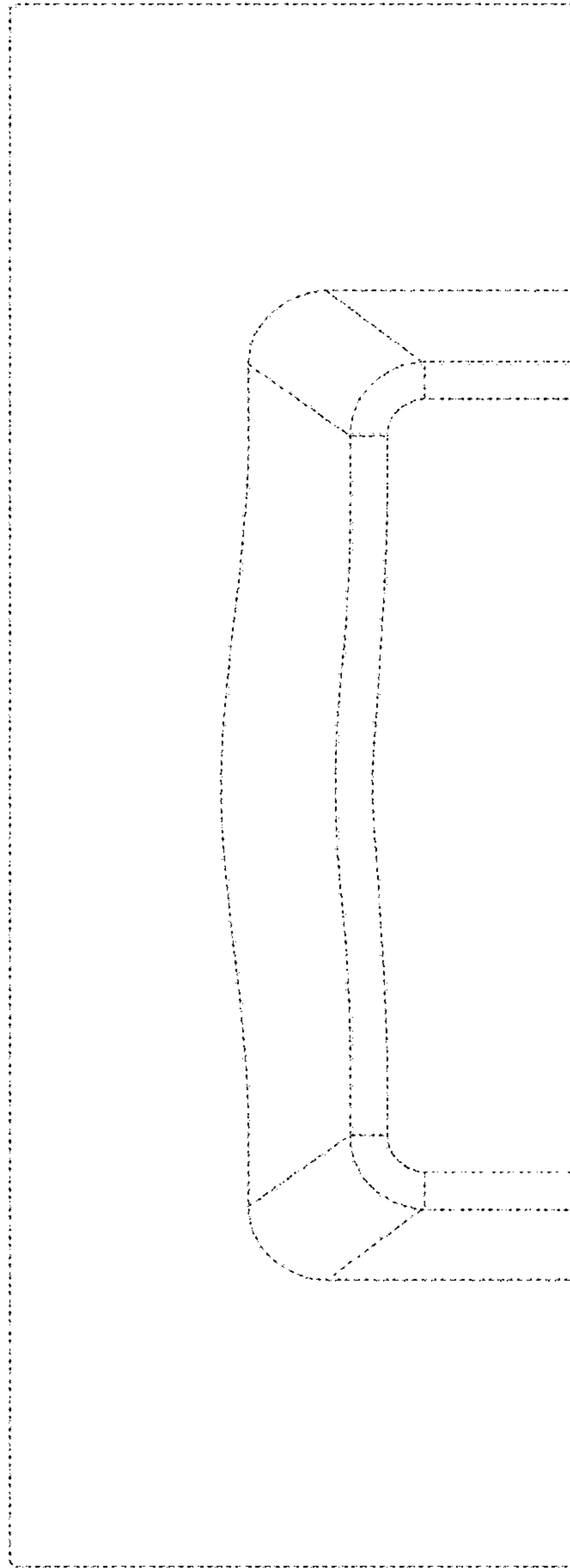
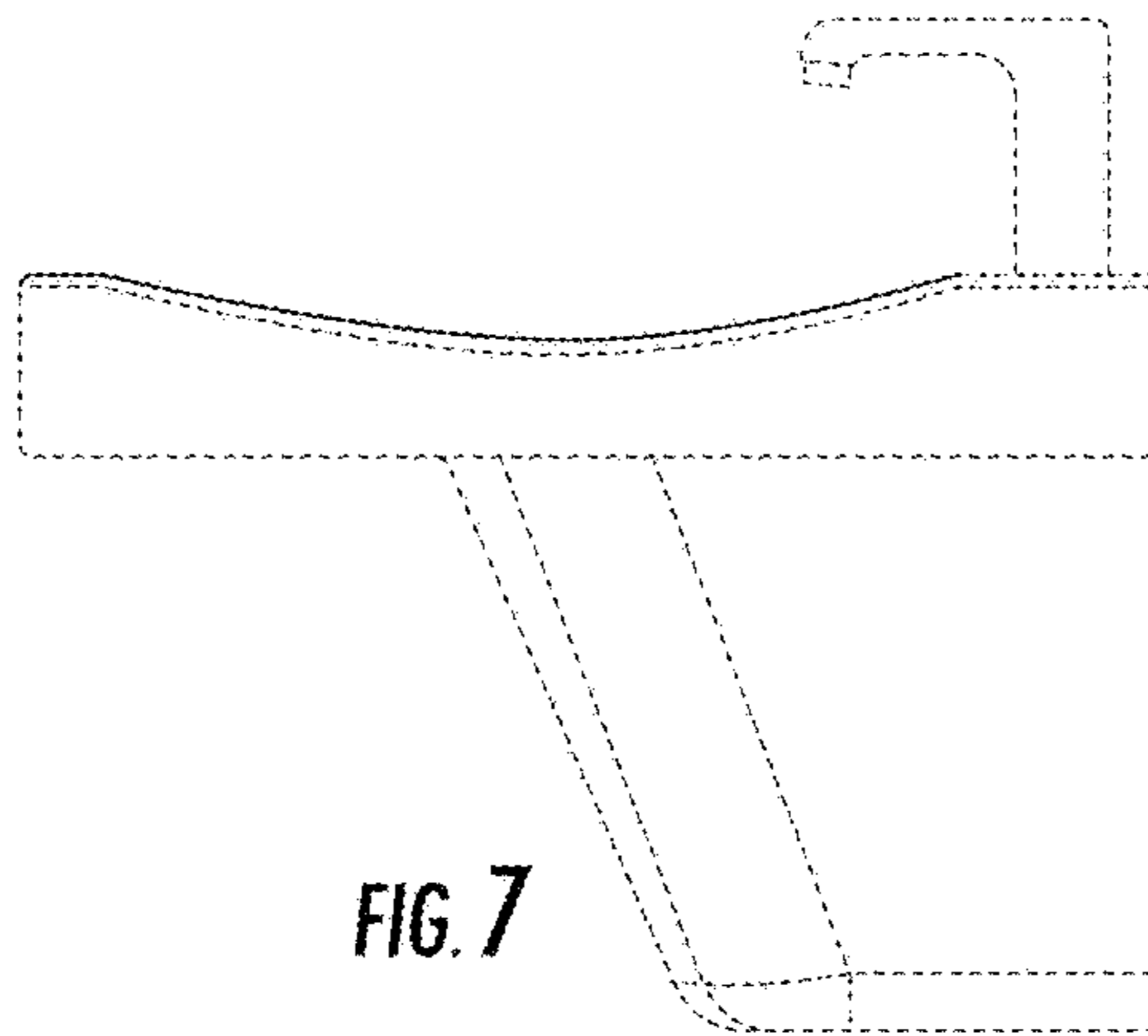
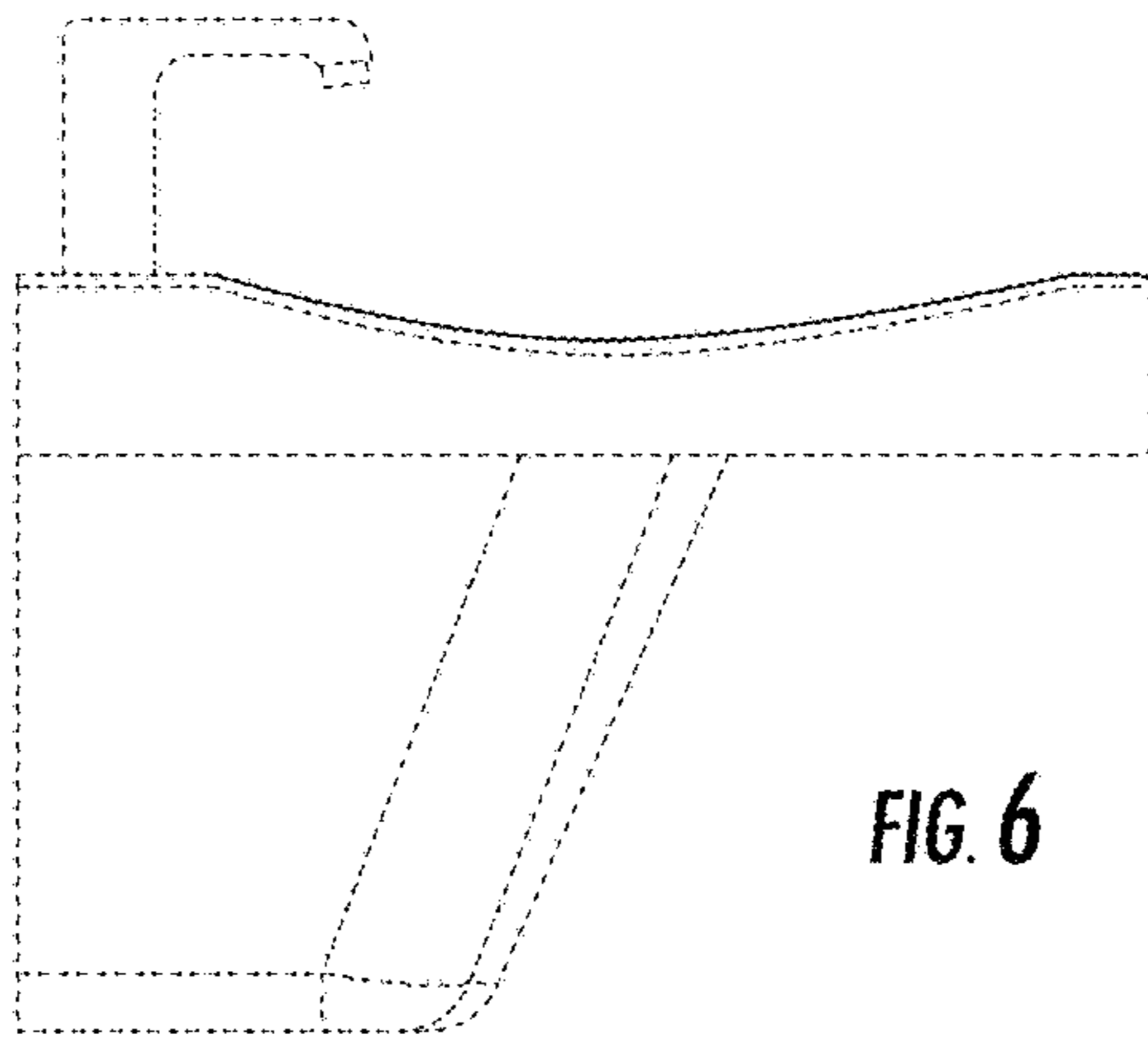
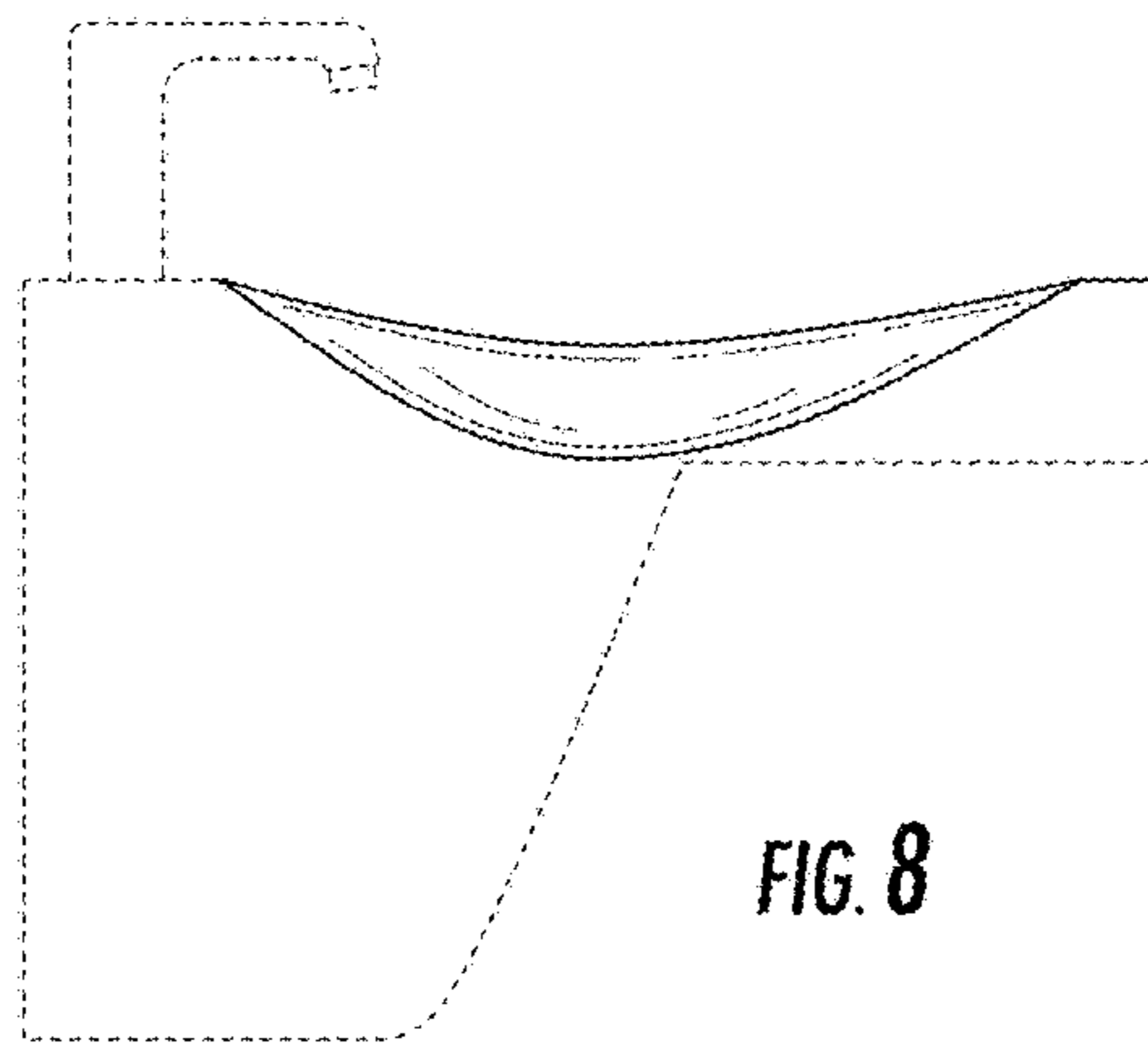


FIG. 5





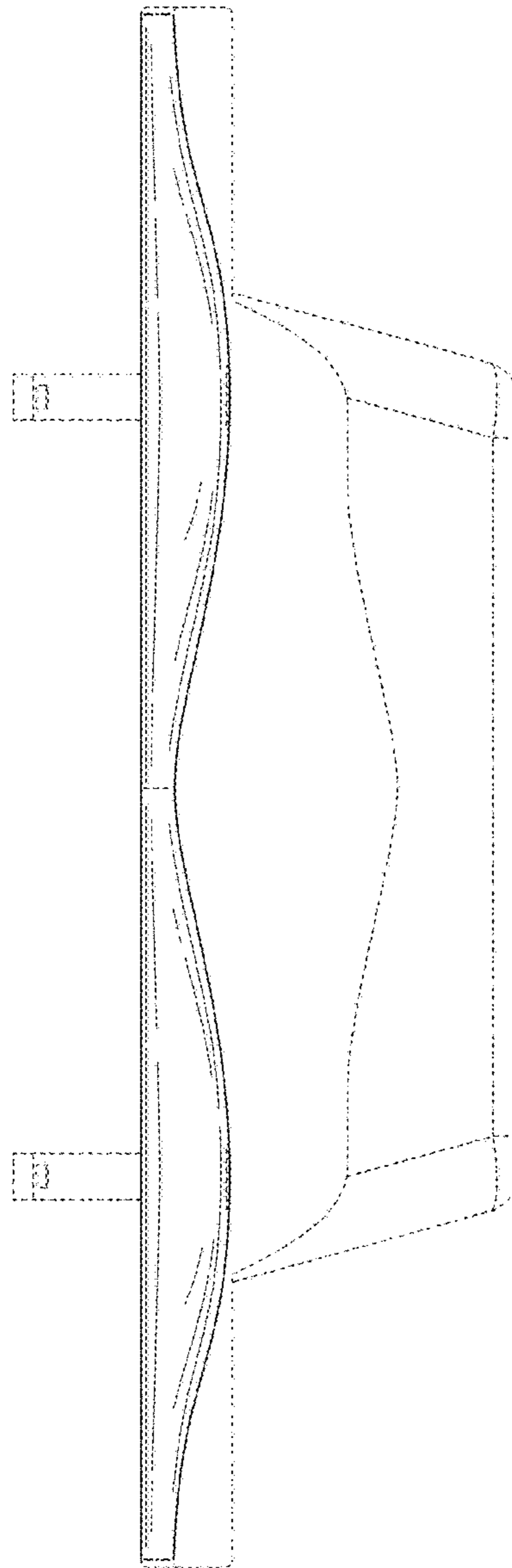


FIG. 9

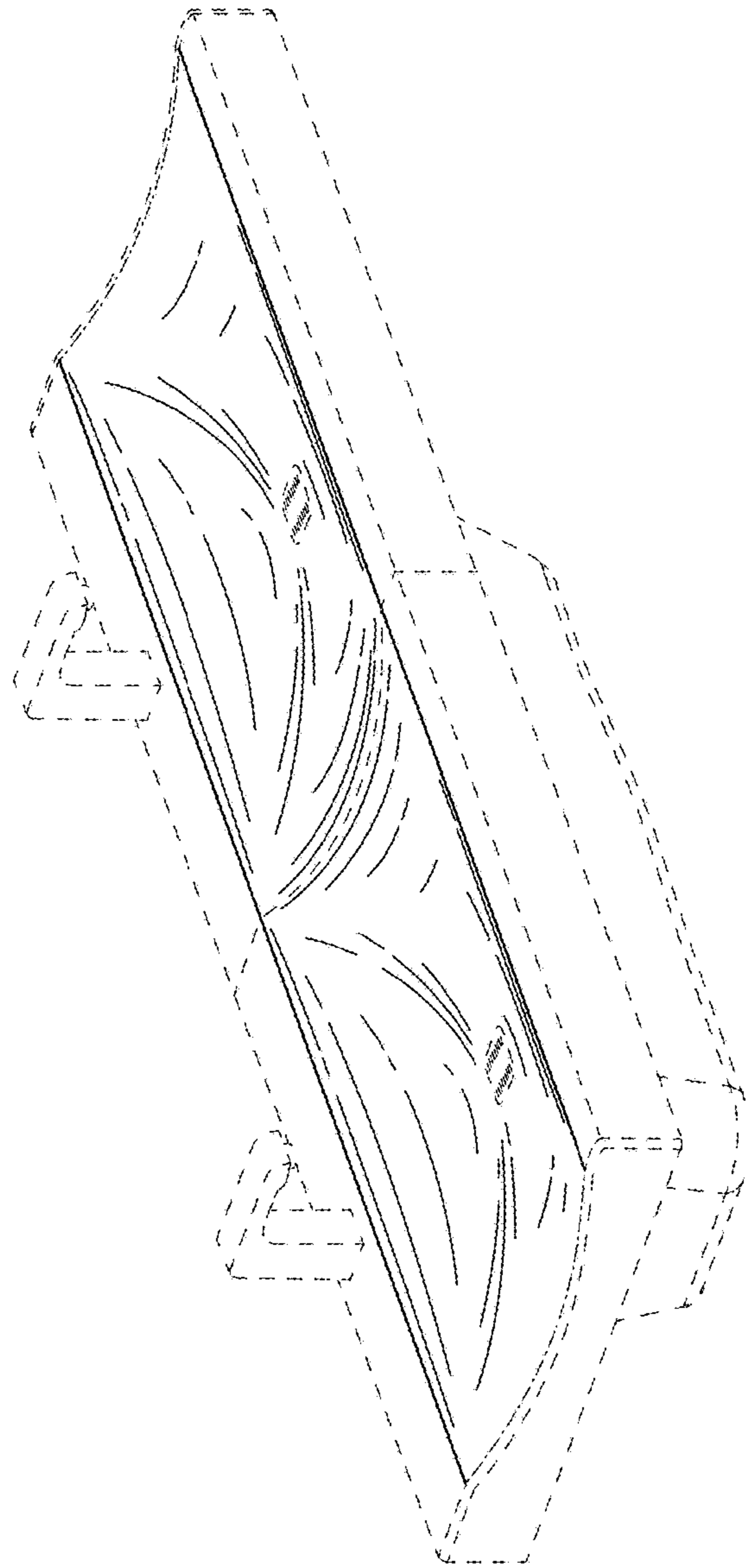


Fig. 10 (New)

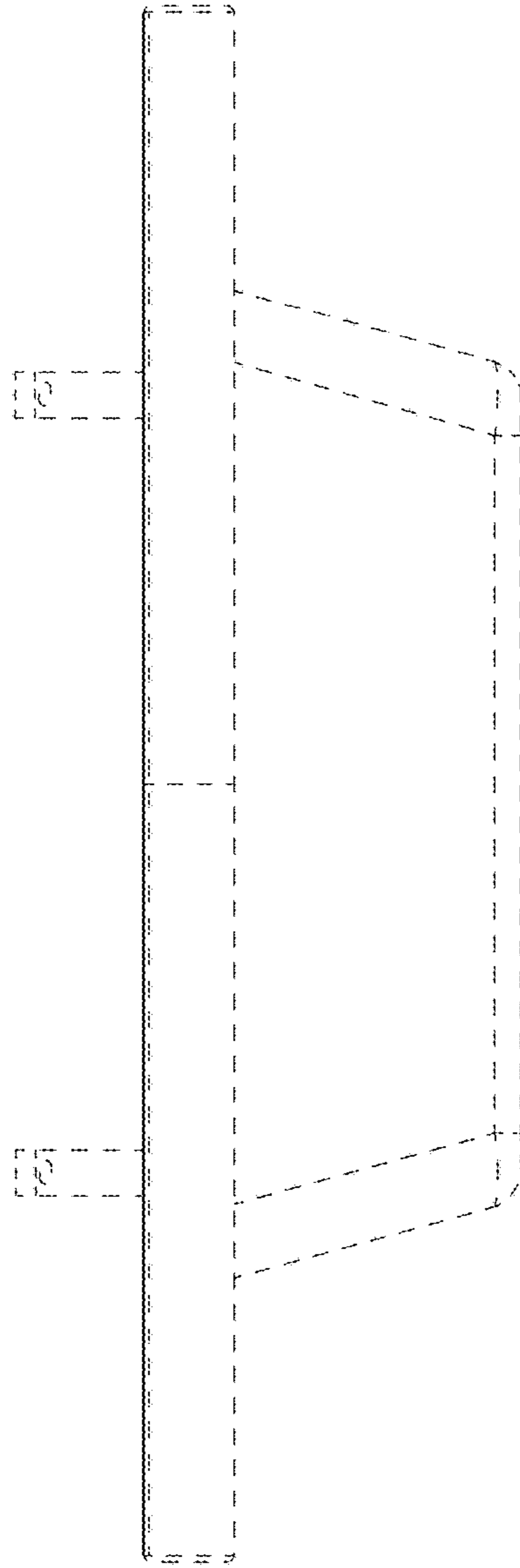


Fig. 11 (New)

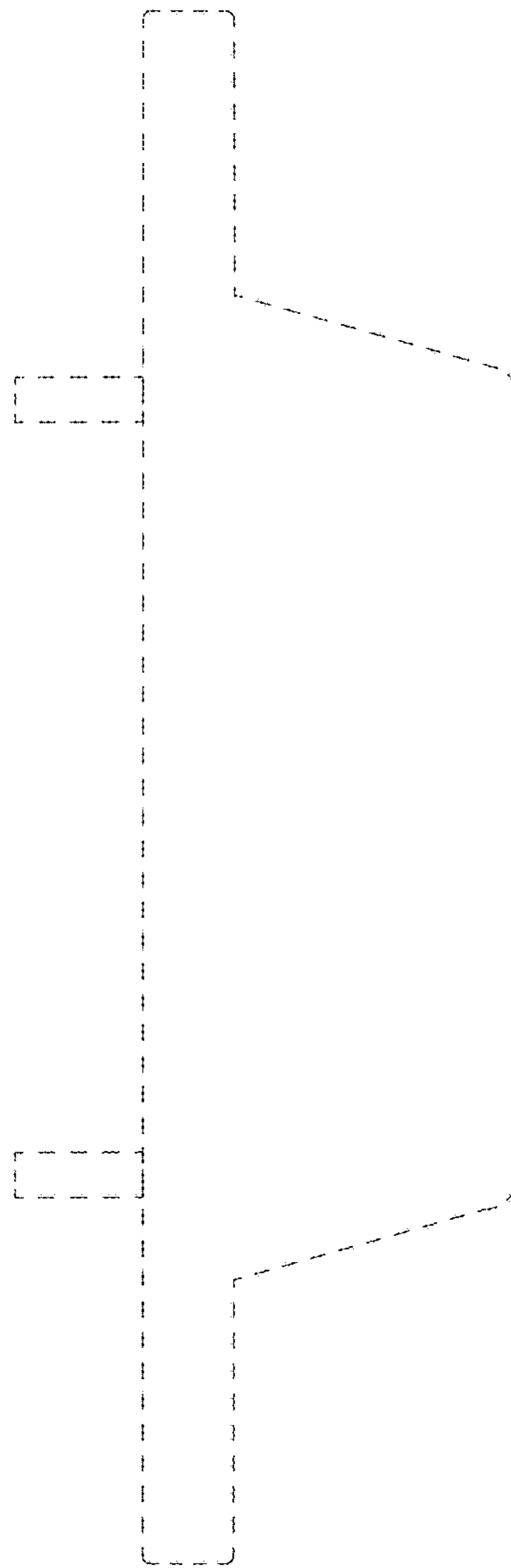


Fig. 12 (New)

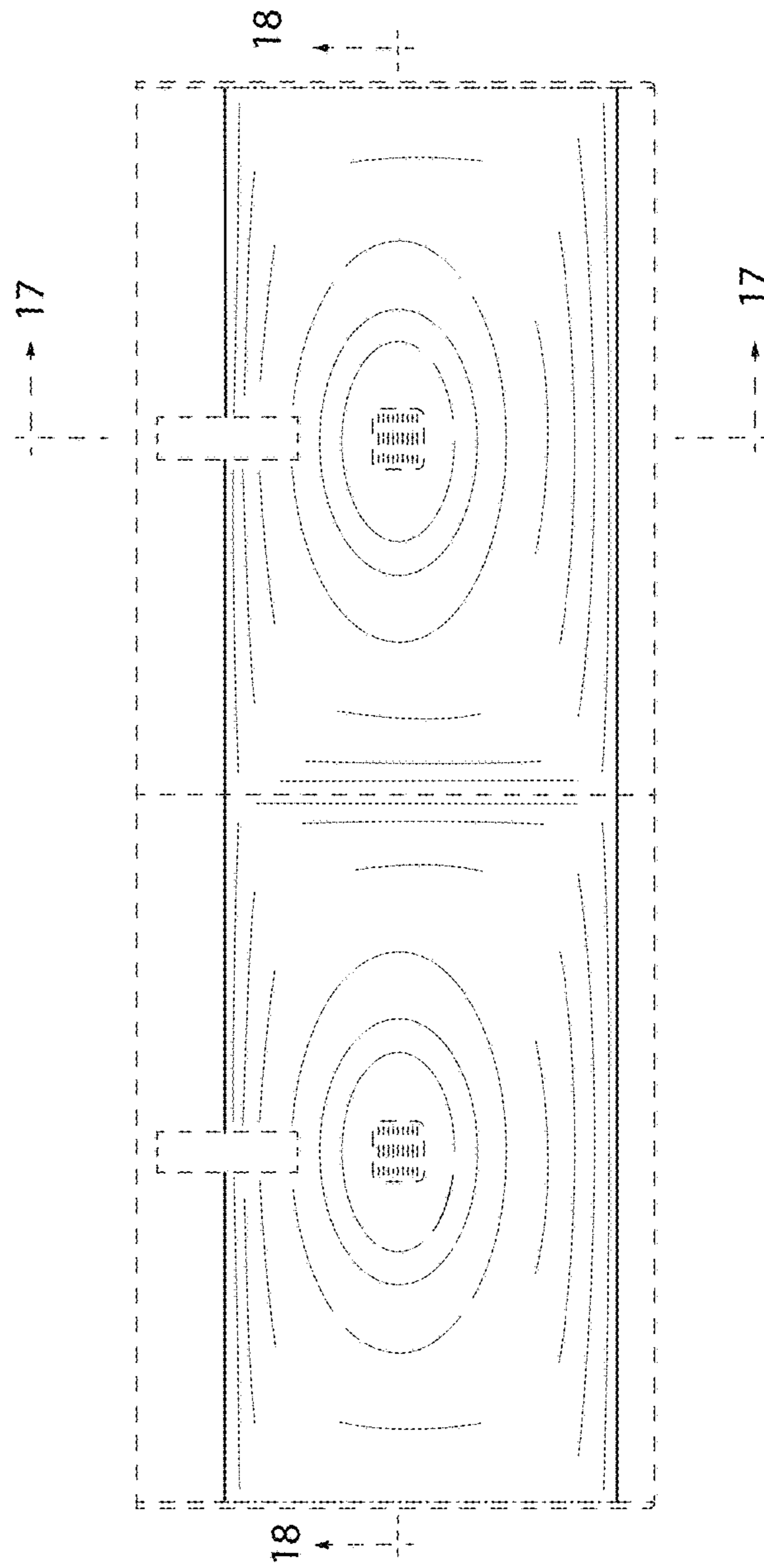


Fig. 13 (New)

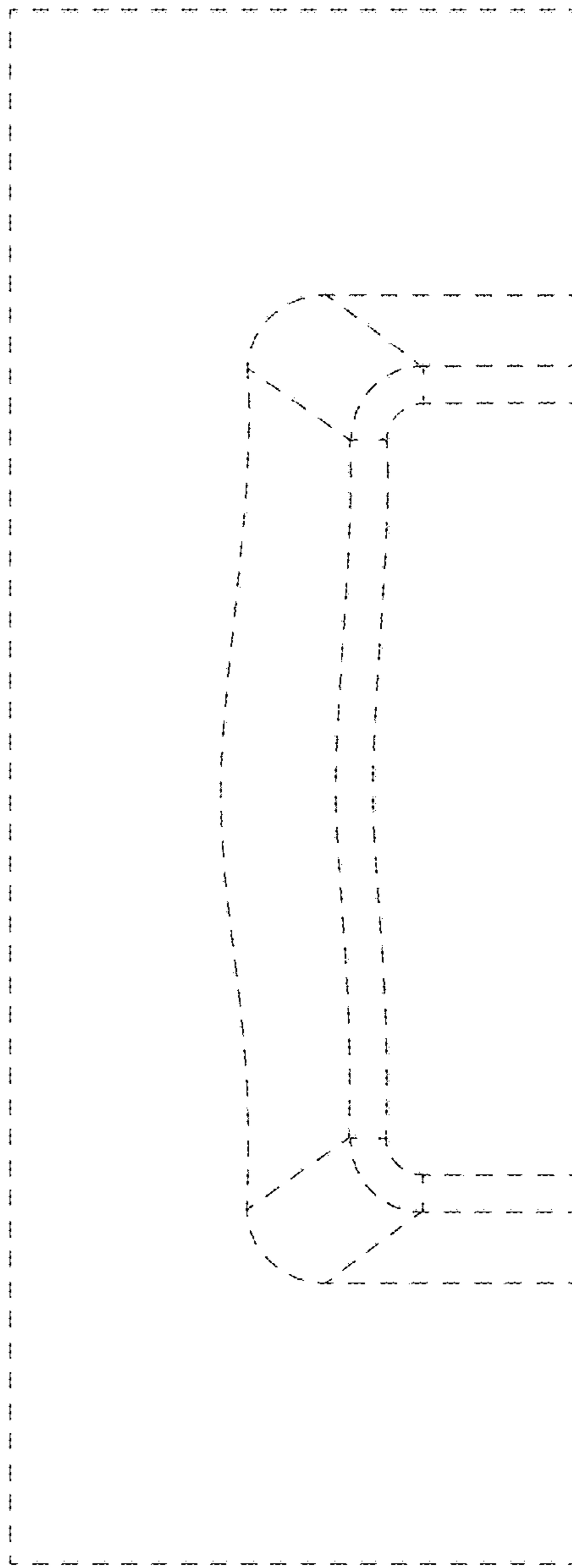


Fig. 14 (New)

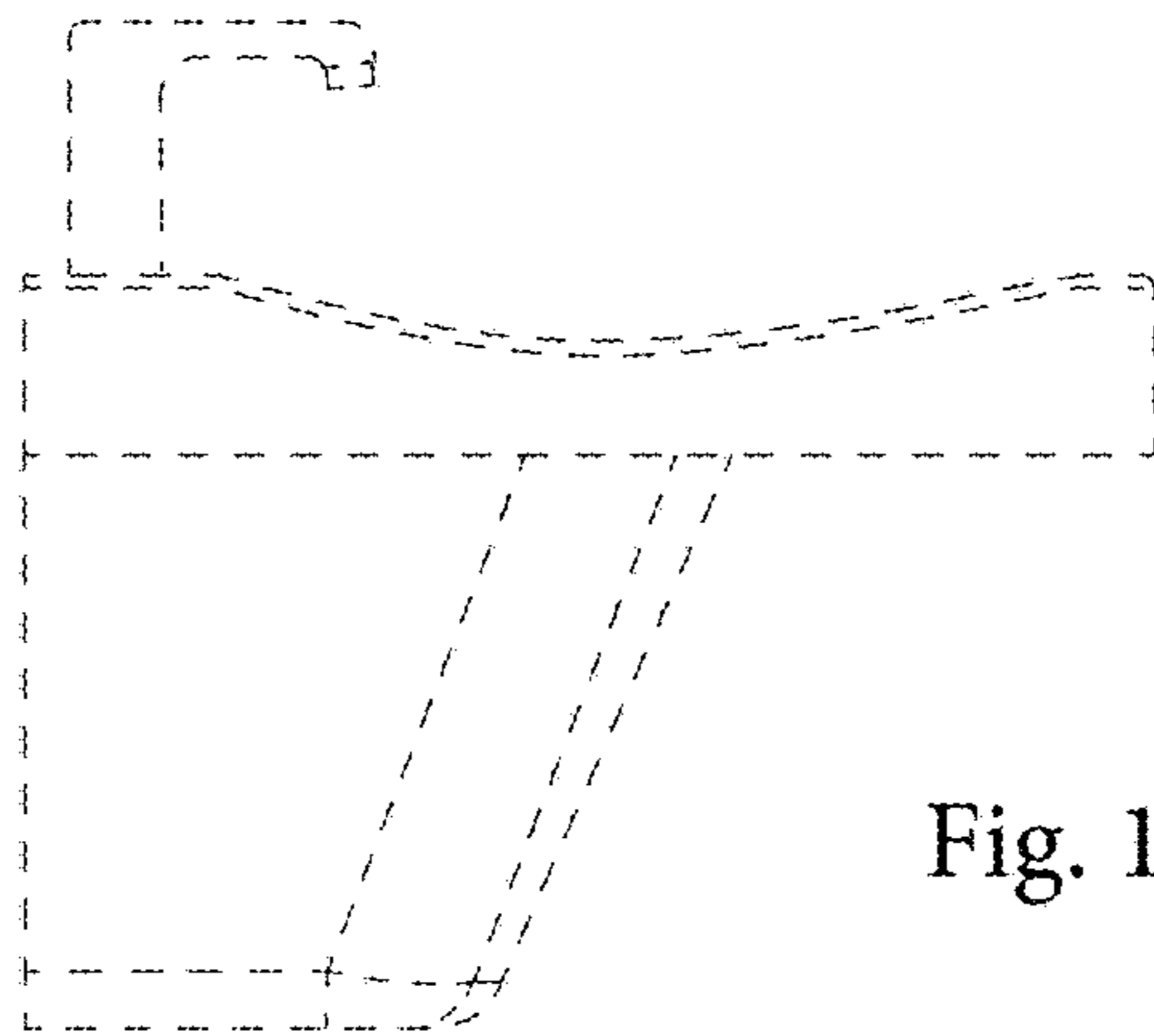


Fig. 15 (New)

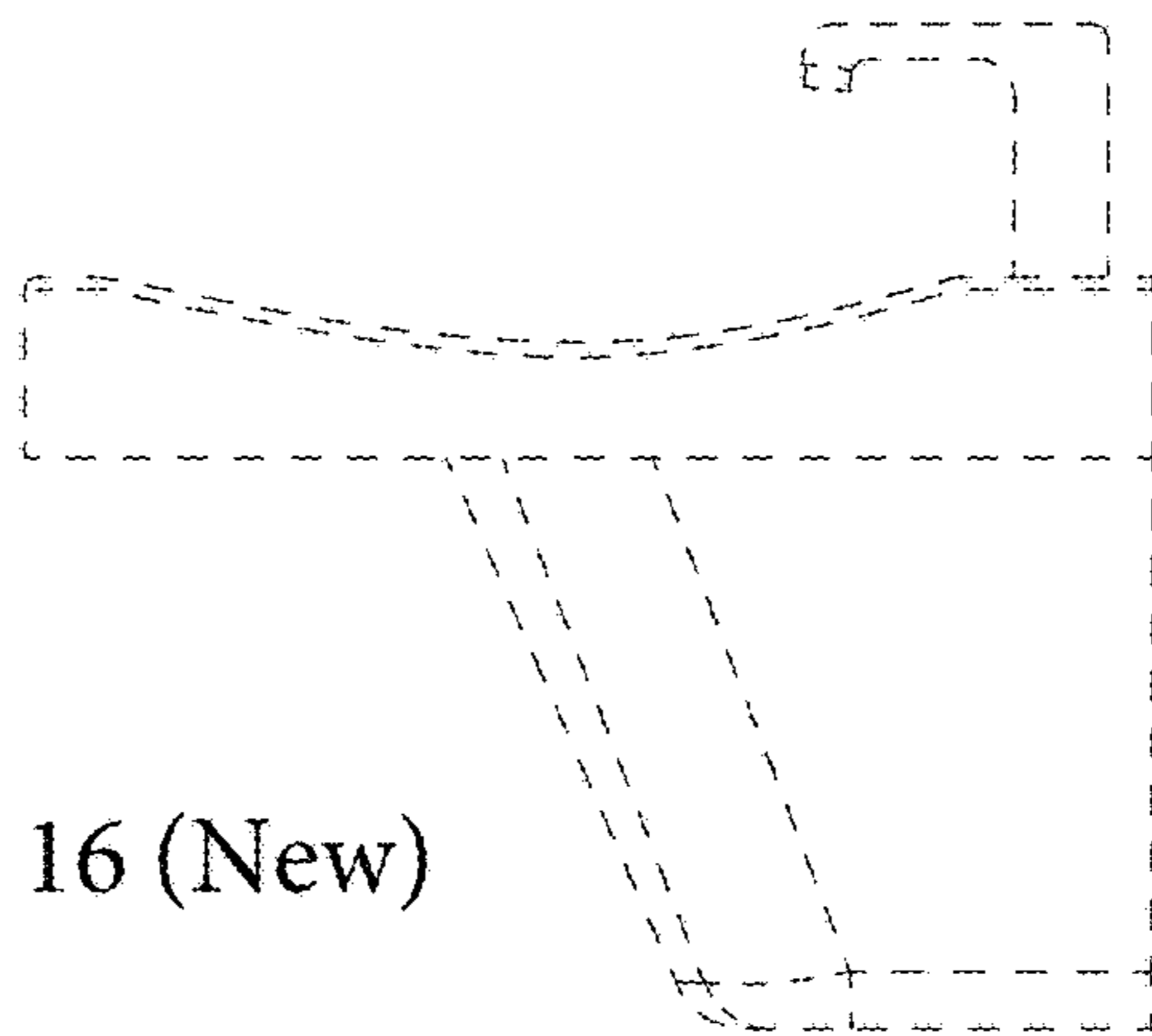
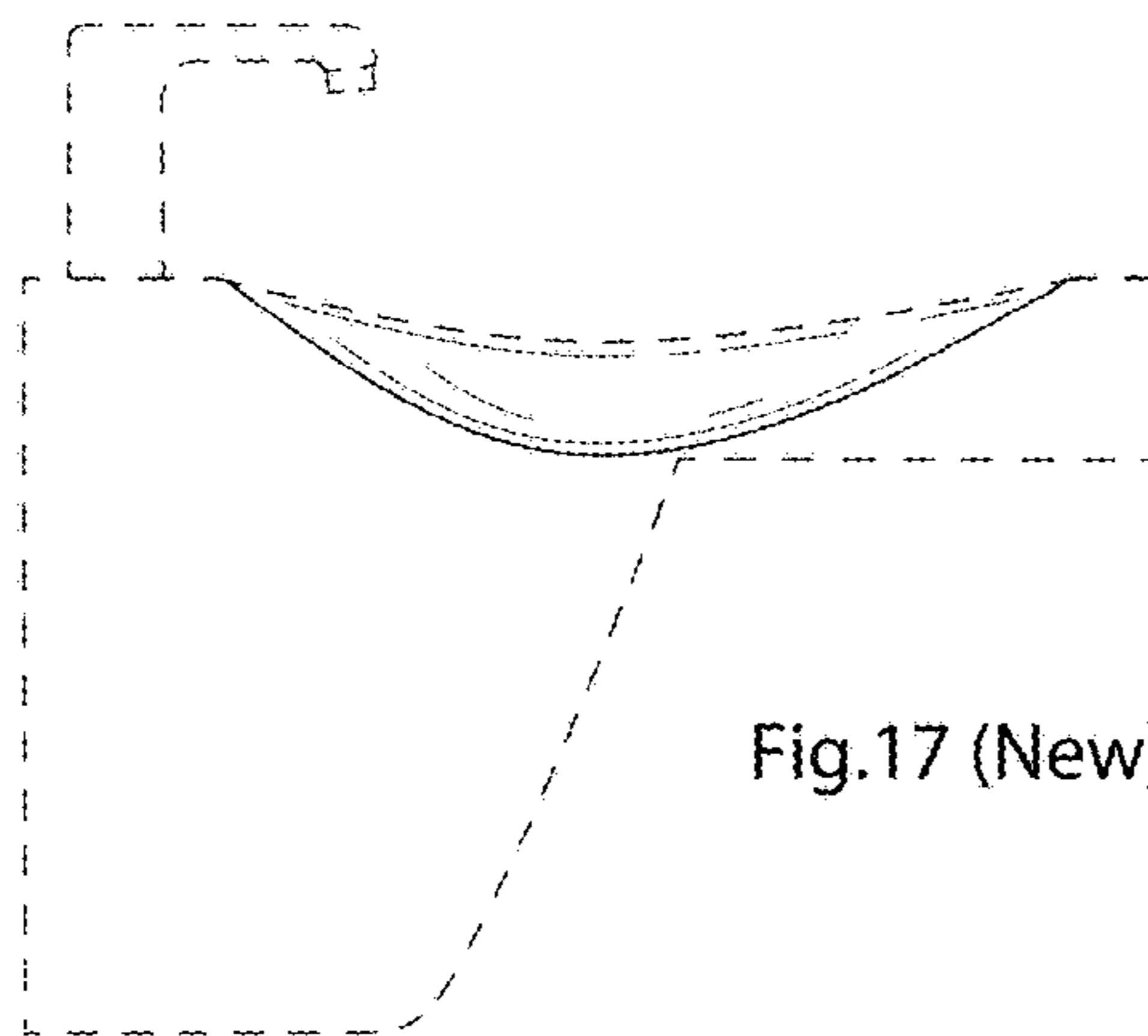


Fig. 16 (New)



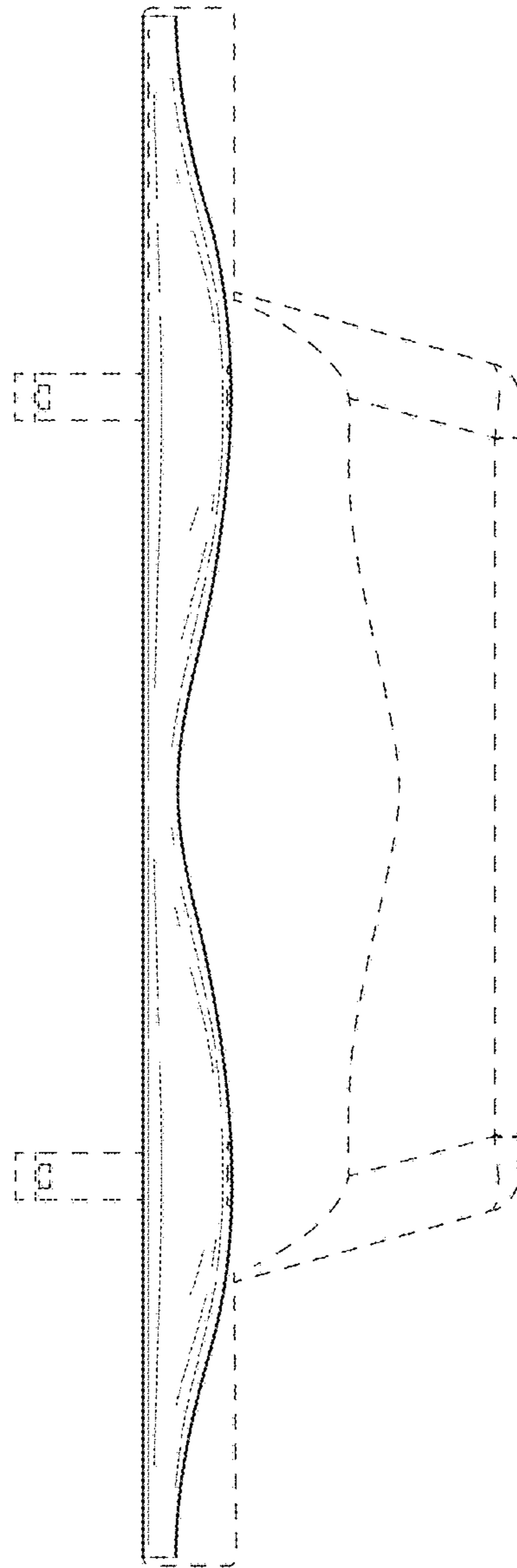


Fig. 18 (New)