



US00RE47407E

(19) **United States**
(12) **Reissued Patent**
Winter

(10) **Patent Number:** **US RE47,407 E**
(45) **Date of Reissued Patent:** **May 28, 2019**

(54) **METER REGISTER TRANSMITTING FLOW RATE WARNING**

(71) Applicant: **ARAD MEASURING TECHNOLOGIES LTD.**, Yokneam (IL)

(72) Inventor: **Dan Winter**, Pardessia (IL)

(73) Assignee: **Arad Measuring Technologies Ltd.**, Yokneam Elit (IL)

(21) Appl. No.: **13/670,754**

(22) Filed: **Nov. 7, 2012**

Related U.S. Patent Documents

Reissue of:

(64) Patent No.: **8,109,131**
Issued: **Feb. 7, 2012**
Appl. No.: **12/013,853**
Filed: **Jan. 14, 2008**

U.S. Applications:

(60) Continuation of application No. 11/104,097, filed on Apr. 12, 2005, now abandoned, which is a division of
(Continued)

(51) **Int. Cl.**
G01D 4/00 (2006.01)
G01D 5/12 (2006.01)
(Continued)

(52) **U.S. Cl.**
CPC **G01F 1/56** (2013.01); **G01D 4/006** (2013.01); **G01D 5/12** (2013.01); **G01D 5/2515** (2013.01); **G01F 1/075** (2013.01); **G01F 15/007** (2013.01); **G01F 15/063** (2013.01); **G01F 15/0755** (2013.01); **G08B 21/18** (2013.01); **H01Q 1/2233** (2013.01); **H01Q 9/0414** (2013.01); **H01Q 9/0421** (2013.01); **H01Q 1/22** (2013.01);
(Continued)

(58) **Field of Classification Search**
CPC G01D 4/006; G01D 5/2515
USPC 73/40.5 R, 49.1, 861.94
See application file for complete search history.

(56) **References Cited**

U.S. PATENT DOCUMENTS

2,996,713 A 8/1961 Boyer
3,169,398 A 2/1965 Sparling et al.
(Continued)

FOREIGN PATENT DOCUMENTS

DE 19725247 12/1998
DE 19725247 A1 12/1998
(Continued)

OTHER PUBLICATIONS

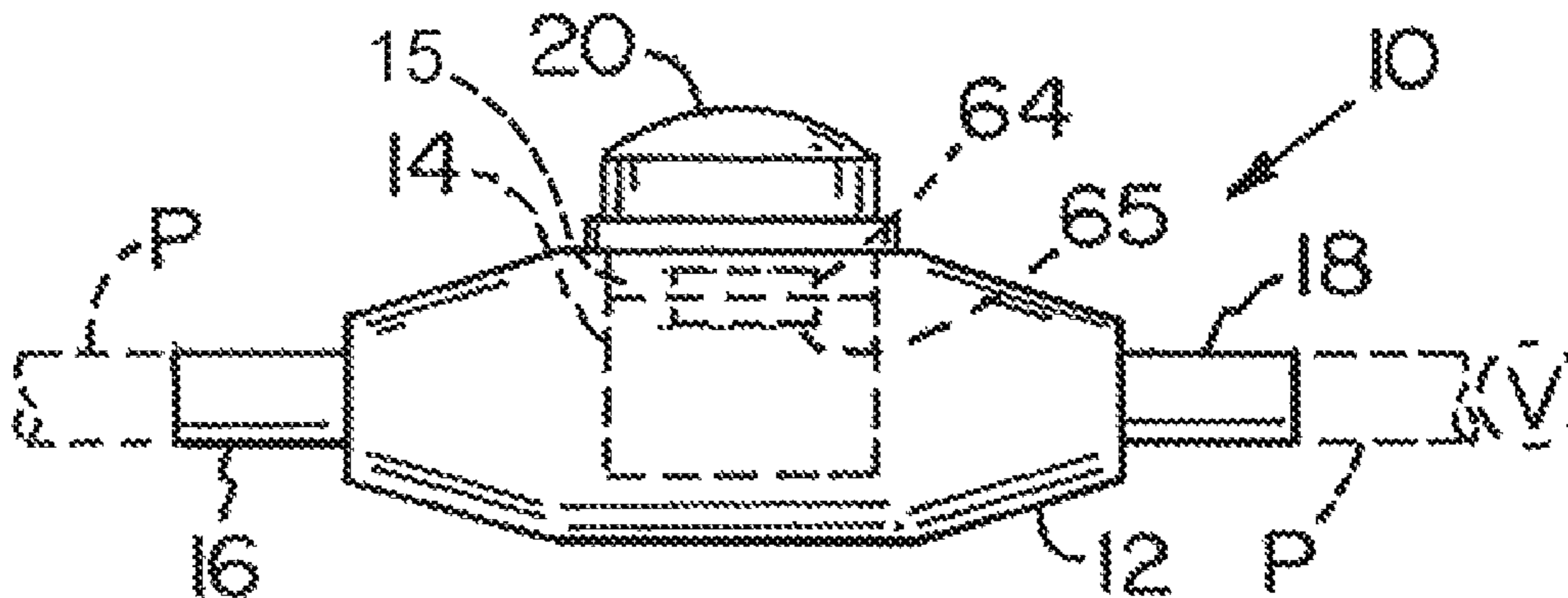
Kuga, Nobuhiro et al., Circular Patch Antennas Miniaturized by Shorting Posts, Electronics and Communications in Japan, 1996, pp. 51-58, vol. 79, No. 6, 1996 Scripta Technica, Inc., Part I.
(Continued)

Primary Examiner — Robert L Nasser
(74) *Attorney, Agent, or Firm* — The Webb Law Firm

(57) **ABSTRACT**

A method and apparatus for measuring a fluid and determining a leak comprising the steps of providing a meter and a meter register coating with the meter. When a leak is detected, a signal is transmitted from the meter register regarding fluid consumption. The transmitted signal indicates a leak either when the measured flow rate remains a fixed volume over a fixed period of time, or the measured flow rate exceeds a threshold value.

13 Claims, 6 Drawing Sheets



Related U.S. Application Data

application No. 10/667,801, filed on Sep. 22, 2003, now Pat. No. 6,954,178, which is a division of application No. 10/092,020, filed on Mar. 6, 2002, now Pat. No. 6,819,292.

(60) Provisional application No. 60/274,812, filed on Mar. 9, 2001.

(51) **Int. Cl.**

G01F 1/56 (2006.01)
H01Q 1/22 (2006.01)
H01Q 7/00 (2006.01)
H01Q 9/04 (2006.01)
G01D 5/251 (2006.01)
G01F 1/075 (2006.01)
G01F 15/00 (2006.01)
G01F 15/06 (2006.01)
G08B 21/18 (2006.01)
G01F 15/075 (2006.01)

(52) **U.S. Cl.**

CPC *H01Q 7/00* (2013.01); *H01Q 9/0407* (2013.01); *Y04S 20/325* (2013.01); *Y04S 20/36* (2013.01)

(56) **References Cited**

U.S. PATENT DOCUMENTS

3,228,243 A 1/1966 Woolf
 3,388,388 A 6/1968 Brown
 3,388,595 A * 6/1968 Last et al. 73/861.94
 3,505,513 A * 4/1970 Fowler et al. 73/40
 3,662,600 A 5/1972 Rosano, Jr. et al.
 3,667,495 A 6/1972 Schuler et al.
 3,676,875 A 7/1972 Adams et al.
 3,685,353 A 8/1972 Gestler et al.
 3,701,277 A 10/1972 McMahon et al.
 3,729,727 A 4/1973 Young et al.
 3,798,634 A 3/1974 Kamada
 3,813,597 A 5/1974 Le Vitt
 3,846,789 A 11/1974 Germer et al.
 3,858,448 A 1/1975 Evans et al.
 3,949,606 A 4/1976 Blancett
 3,994,168 A * 11/1976 Varga G01F 3/12
 73/258
 4,022,977 A 5/1977 Nomura
 4,023,410 A 5/1977 Althaus
 4,032,805 A 6/1977 Hereford
 4,090,220 A 5/1978 Gargini
 4,123,758 A 10/1978 Shibano et al.
 4,134,026 A 1/1979 Sone et al.
 4,366,486 A 12/1982 Toullos
 4,518,955 A * 5/1985 Meyer 340/605
 4,548,084 A 10/1985 Onoda et al.
 4,571,995 A 2/1986 Timme
 4,589,435 A * 5/1986 Aldrich 137/102
 4,616,700 A * 10/1986 Wood et al. 166/250.08
 4,683,472 A 7/1987 Beling
 4,776,206 A * 10/1988 Armstrong et al. 73/40
 4,841,782 A 6/1989 Buchanan
 4,885,943 A 12/1989 Tootell et al.
 4,911,010 A 3/1990 Foran, Jr. et al.
 4,996,888 A 3/1991 Foran, Jr. et al.
 5,111,407 A 5/1992 Galpern
 5,143,257 A 9/1992 Austin et al.
 5,181,044 A 1/1993 Matsumoto et al.
 5,187,989 A 2/1993 Bulteau
 5,197,337 A 3/1993 Glasheen
 5,199,307 A 4/1993 Onoda et al.
 5,228,329 A * 7/1993 Dennison 73/49.1
 5,259,251 A 11/1993 Brinster et al.
 5,298,894 A 3/1994 Cerny et al.
 5,315,862 A * 5/1994 Hasselmann 73/40.5 R

5,325,715 A 7/1994 Foran, Jr. et al.
 5,369,598 A 11/1994 Horiike et al.
 5,416,475 A 5/1995 Tolbert et al.
 5,438,329 A 8/1995 Gastouniotis et al.
 5,455,781 A * 10/1995 Reynal et al. 73/196
 5,473,322 A 12/1995 Carney
 5,493,917 A 2/1996 Clanin
 5,519,387 A 5/1996 Besier et al.
 5,540,107 A 7/1996 Silverman et al.
 5,621,419 A 4/1997 Meek et al.
 5,659,300 A 8/1997 Dresselhuys et al.

G01D 4/006
 340/10.41

5,659,303 A 8/1997 Adair, Jr.
 5,673,053 A 9/1997 Marthinsson
 5,691,484 A 11/1997 Feller
 5,747,703 A 5/1998 Plisson et al.
 5,748,104 A 5/1998 Argyroudis et al.
 5,789,672 A 8/1998 Rogers et al.
 5,825,303 A 10/1998 Bloss, Jr. et al.
 5,877,703 A 3/1999 Bloss, Jr. et al.
 5,959,550 A 9/1999 Giles
 5,965,826 A 10/1999 Von Bertrab
 5,966,010 A 10/1999 Loy et al.
 5,986,574 A 11/1999 Colton
 6,000,931 A 12/1999 Tanabe et al.
 6,012,339 A 1/2000 Genack et al.
 6,069,571 A 5/2000 Tell
 6,079,263 A 6/2000 Beddies
 6,079,281 A 6/2000 Oszajca et al.
 6,085,599 A 7/2000 Feller
 6,098,456 A 8/2000 Munck
 6,115,677 A 9/2000 Perthold et al.
 6,177,883 B1 1/2001 Jennetti et al.
 6,181,294 B1 1/2001 Porter et al.
 6,246,677 B1 * 6/2001 Nap et al. 370/346
 6,269,829 B1 8/2001 Chen et al.
 6,300,907 B1 10/2001 Lazar et al.
 6,304,231 B1 10/2001 Reed et al.
 6,333,626 B1 12/2001 Edwards
 6,346,914 B1 2/2002 Annamaa
 6,373,399 B1 4/2002 Johnson et al.
 6,404,343 B1 * 6/2002 Andou G01M 3/243
 340/605
 6,502,468 B1 1/2003 Thornborough
 6,604,434 B1 8/2003 Hamilton et al.
 6,611,769 B2 8/2003 Olson
 6,612,188 B2 9/2003 Hamilton
 6,653,945 B2 11/2003 Johnson et al.
 6,681,645 B1 1/2004 Feller
 6,819,292 B2 11/2004 Winter
 6,943,749 B2 9/2005 Paun
 6,954,178 B2 10/2005 Winter
 7,119,698 B2 10/2006 Schleich et al.
 7,126,551 B2 * 10/2006 Winter 343/719
 2001/0003286 A1 * 6/2001 Philippbar G01M 3/243
 137/624.12
 2001/0038343 A1 * 11/2001 Meyer G01D 4/004
 340/870.02
 2002/0083778 A1 7/2002 Hamilton
 2002/0193144 A1 * 12/2002 Belski G01D 4/004
 455/557
 2003/0150280 A1 8/2003 Meistermann

FOREIGN PATENT DOCUMENTS

EP 0278070 8/1988
 EP 0278070 A1 8/1988
 EP 0629098 12/1994
 EP 0629098 A2 12/1994
 EP 1079207 2/2001
 EP 1079207 A2 2/2001
 FR 1331112 6/1963
 FR 1331112 A 6/1963
 GB 2101782 1/1983
 GB 2101782 A 1/1983
 GB 2123556 2/1984
 GB 2123556 A 2/1984

(56)

References Cited

FOREIGN PATENT DOCUMENTS

GB	2287340	A	9/1995
GB	2326002		12/1998
GB	2326002	A	12/1998
WO	9810394	A1	3/1998
WO	WO 9810394	*	3/1998
WO	9949680		9/1999
WO	9949680	A1	9/1999
WO	02088642	A1	11/2002

OTHER PUBLICATIONS

Nice, "How Odometers Work", Jan. 17, 2001, Accessed online at HowStuffWorks.com on Nov. 8, 2013.

* cited by examiner

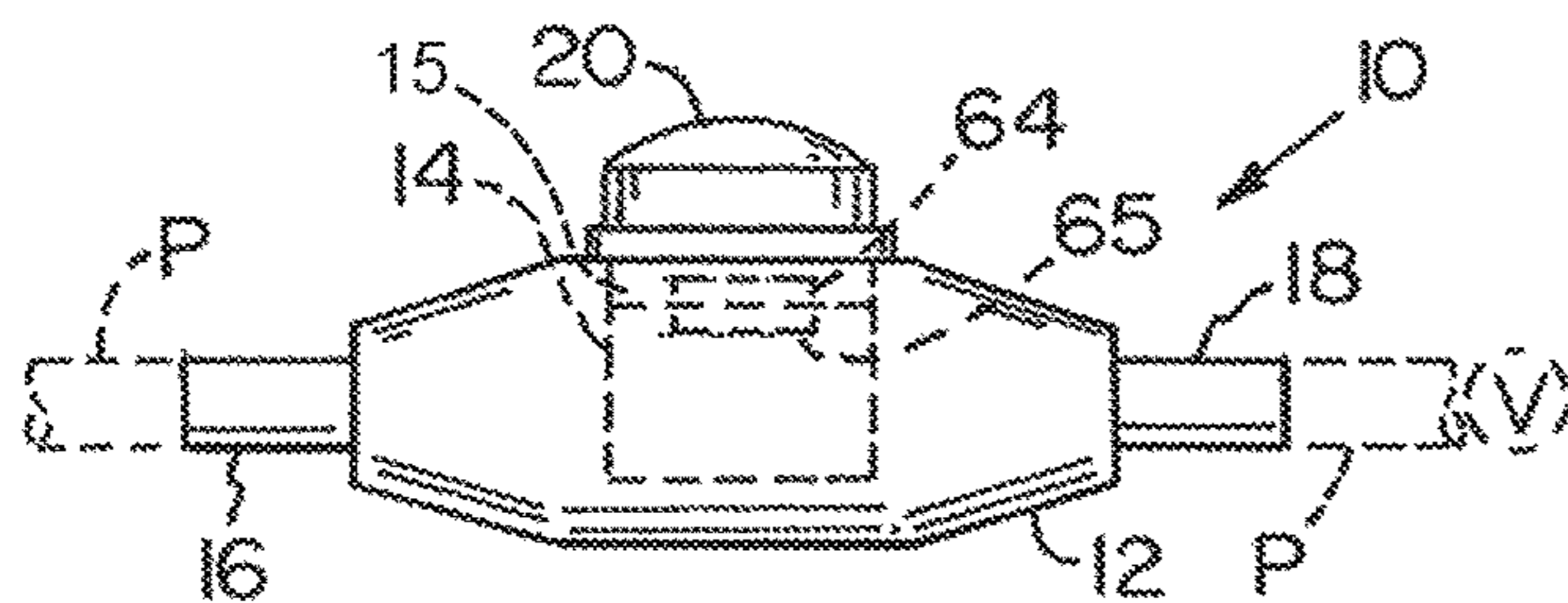


FIG. 1

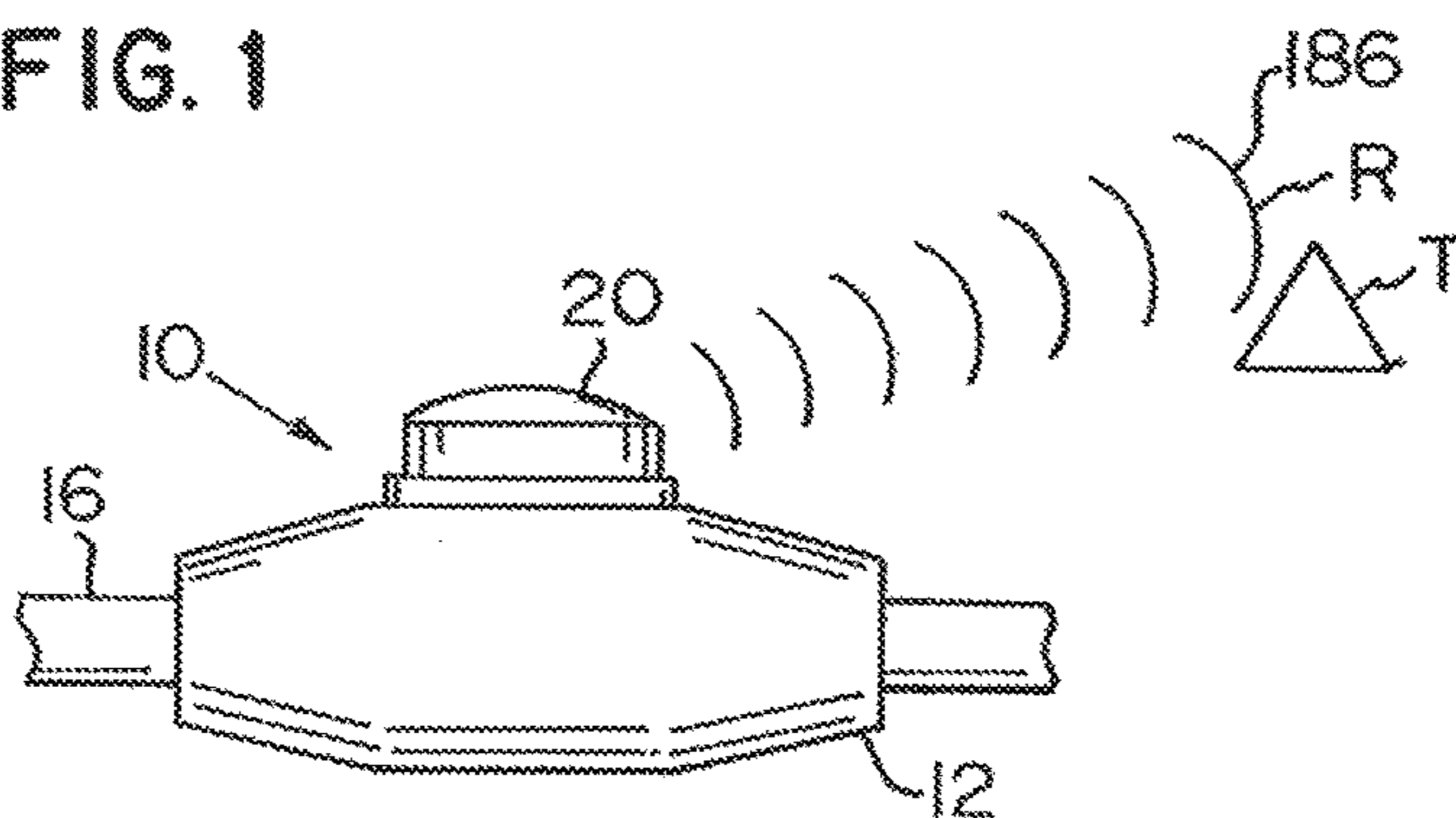


FIG. 2

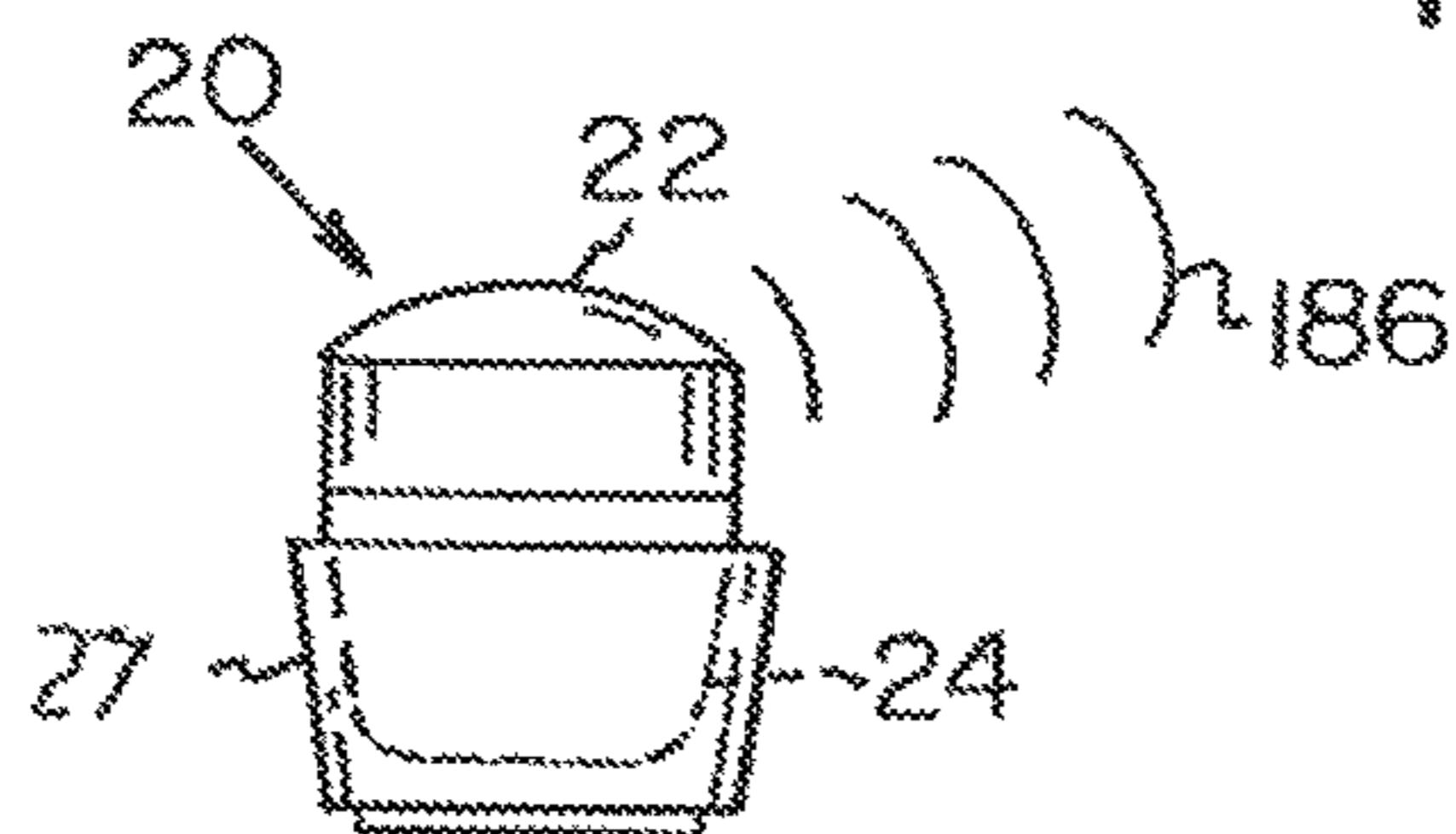


FIG. 3

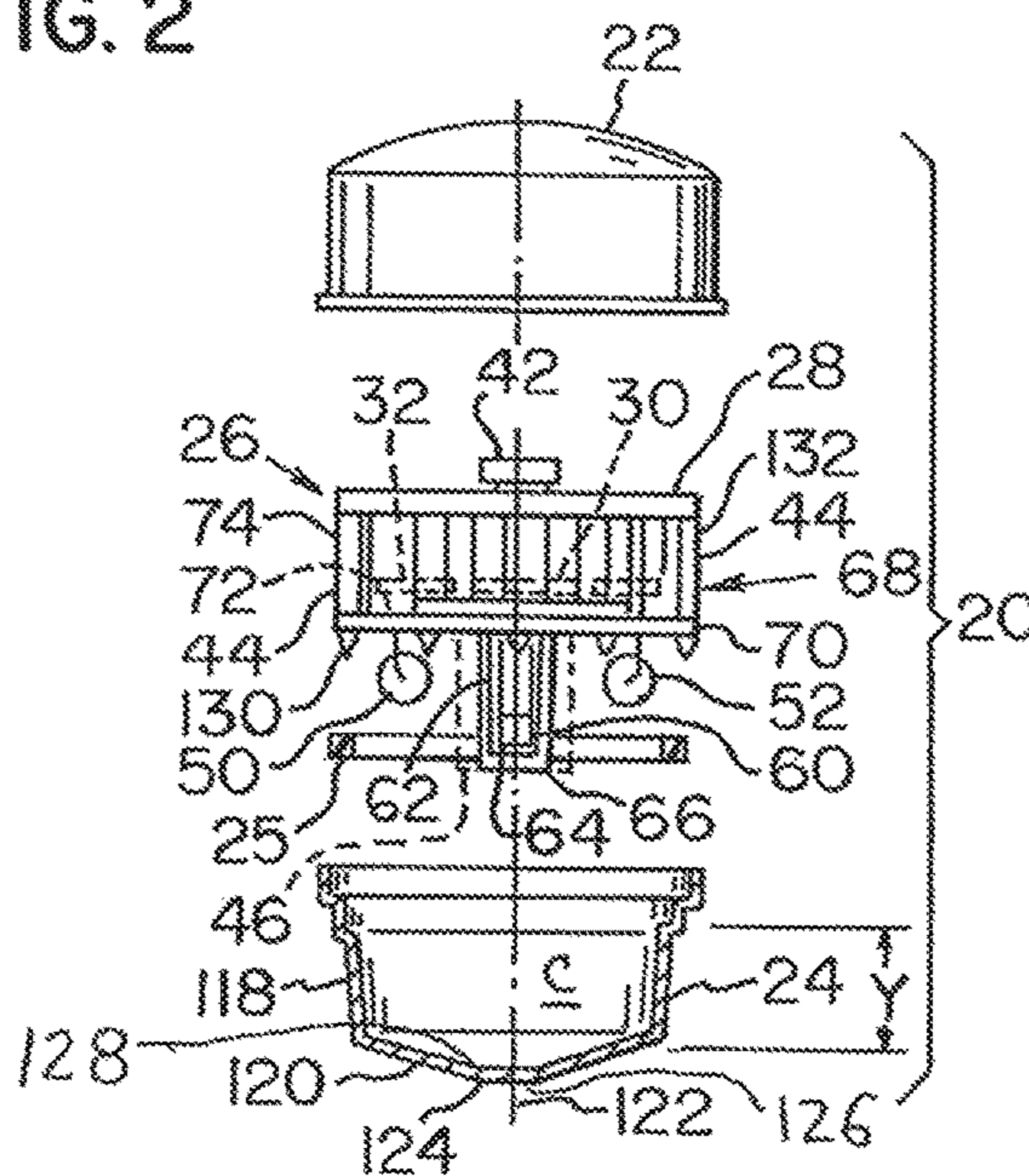


FIG. 4

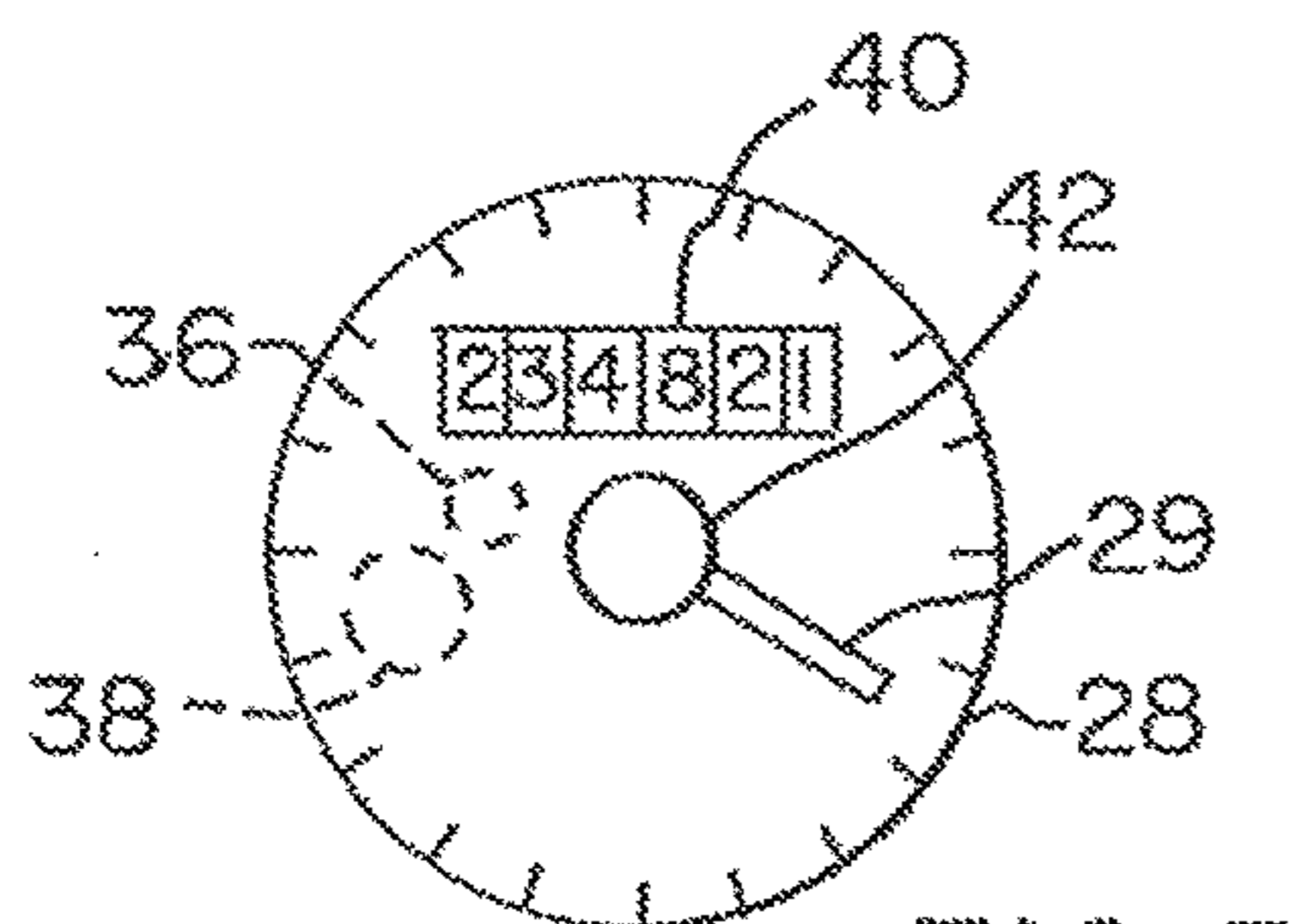


FIG. 5

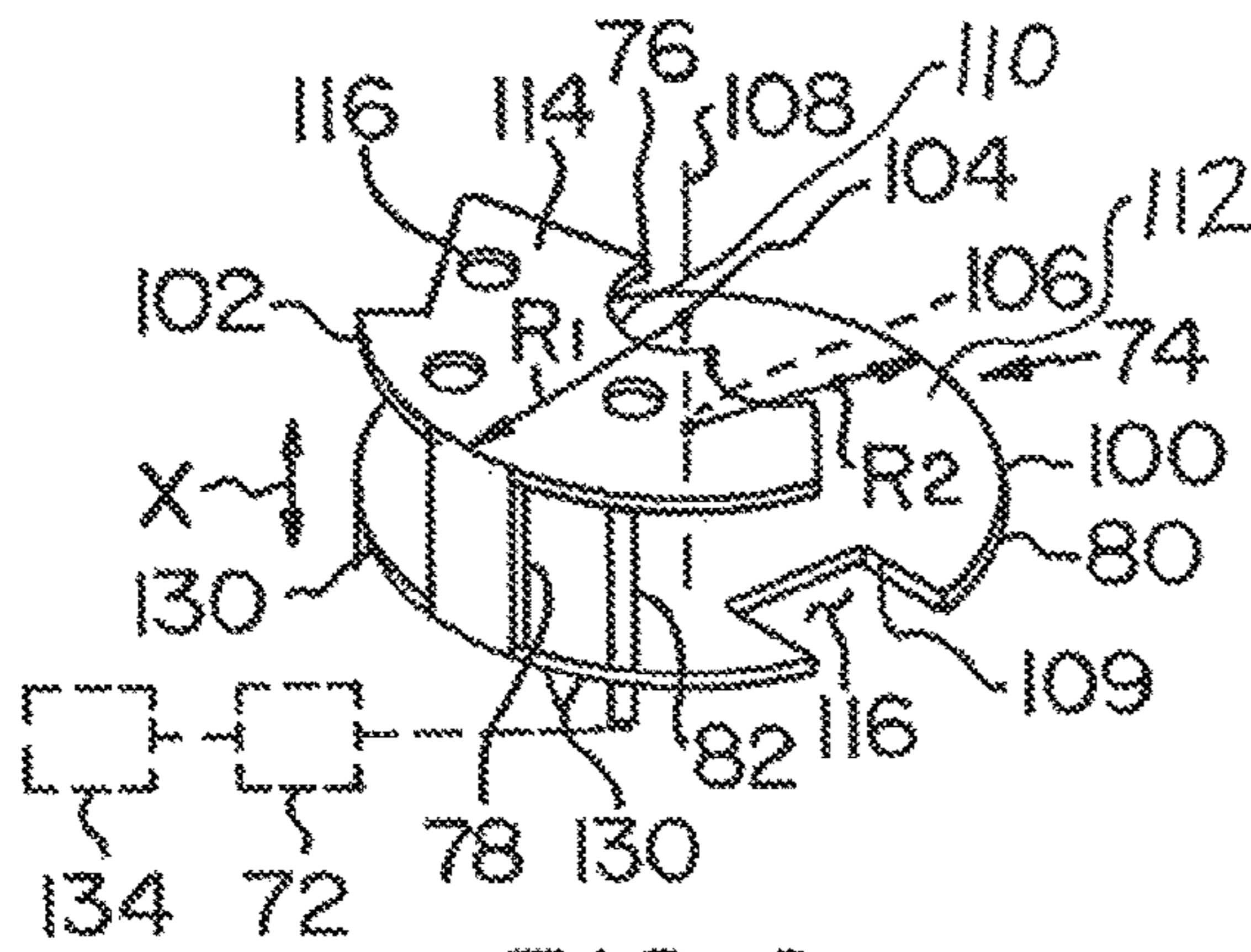


FIG. 6

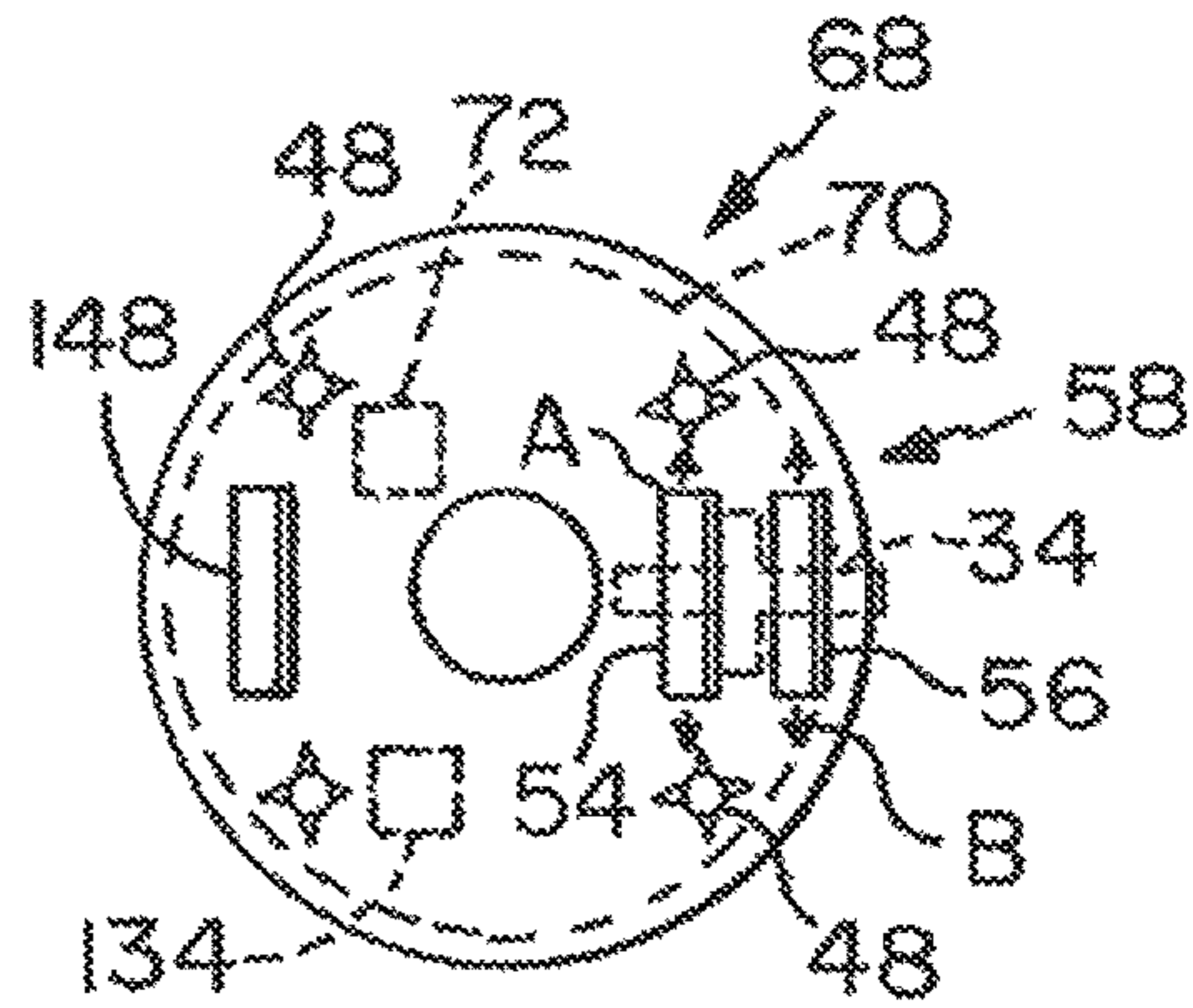


FIG. 7

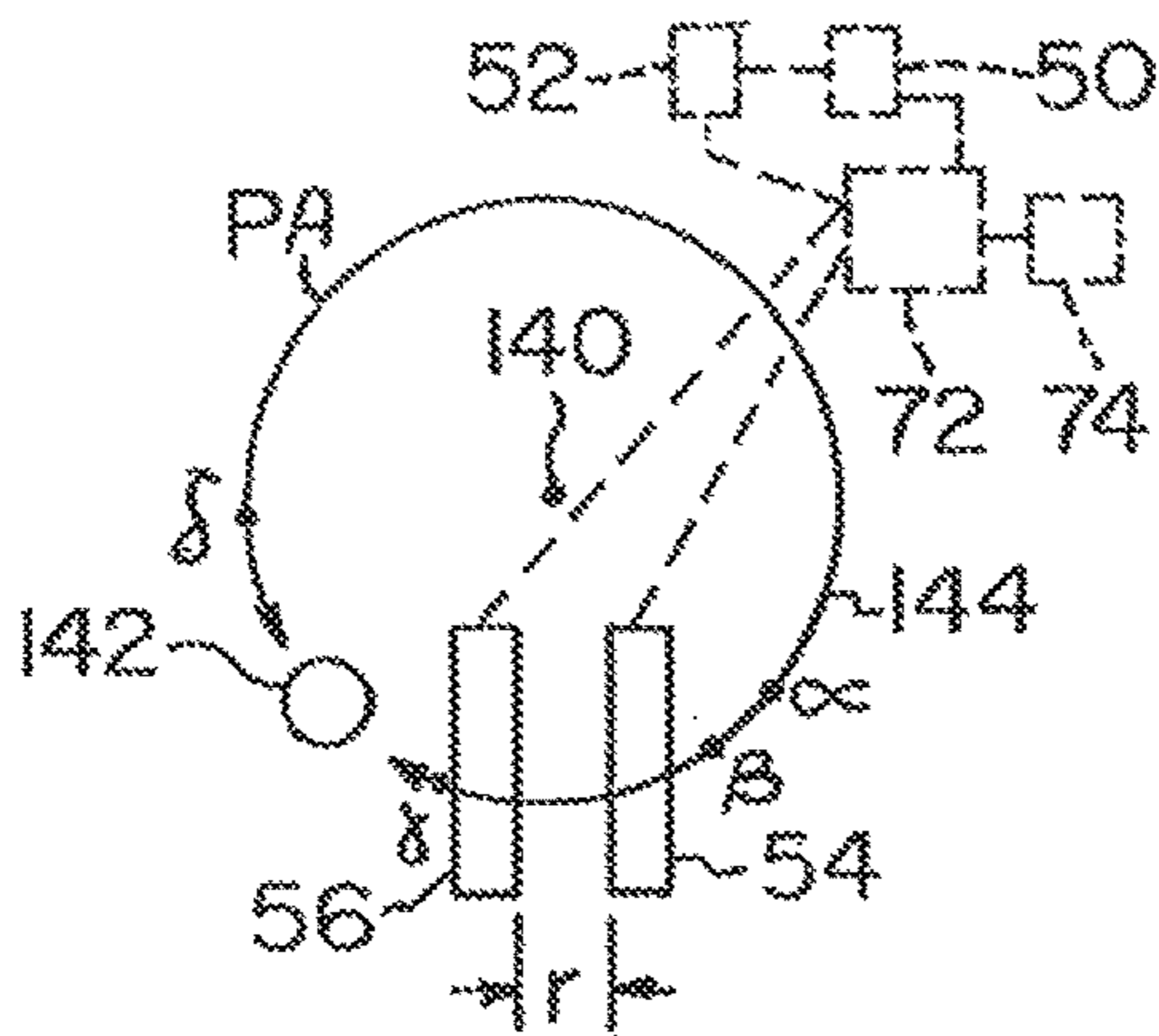


FIG. 8

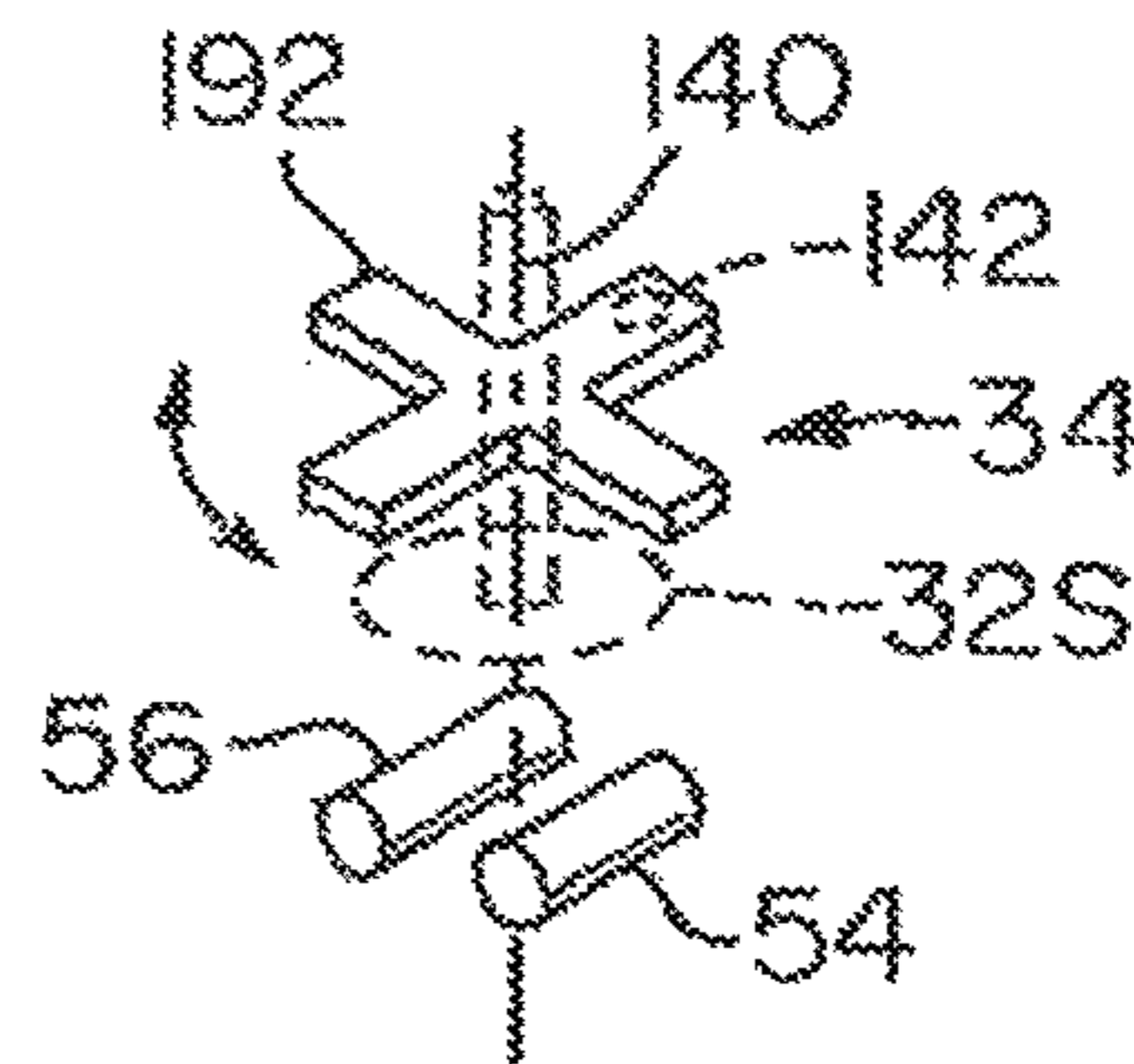


FIG. 9

CLOCKWISE			C, CLOCKWISE		
SECTION	REED 54	REED 56	SECTION	REED 54	REED 56
$\delta \alpha$	0	0	$\delta \alpha$	0	0
$\alpha \beta$	1	0	$\delta \delta$	0	1
$\beta \delta$	1	1	$\beta \delta$	1	1
$\gamma \delta$	0	1	$\alpha \beta$	1	0

FIG. 10

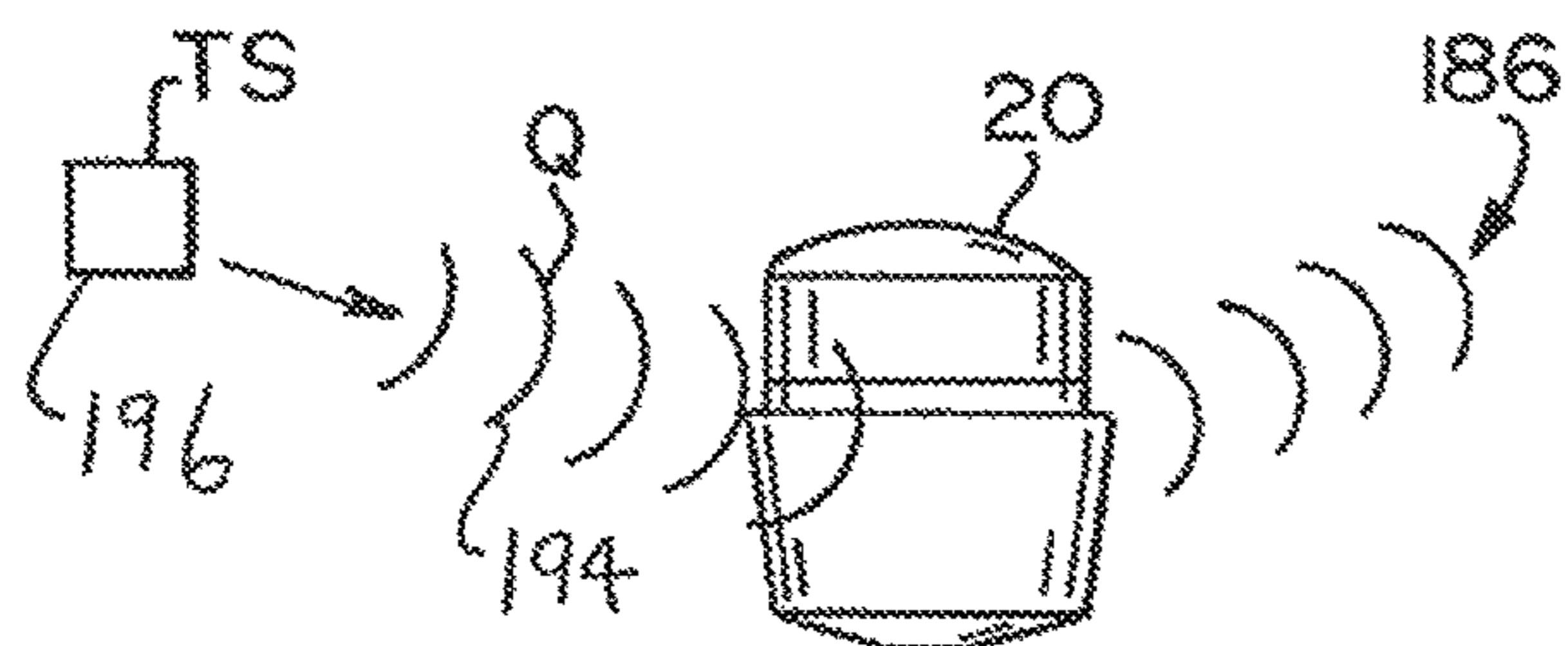


FIG. 11

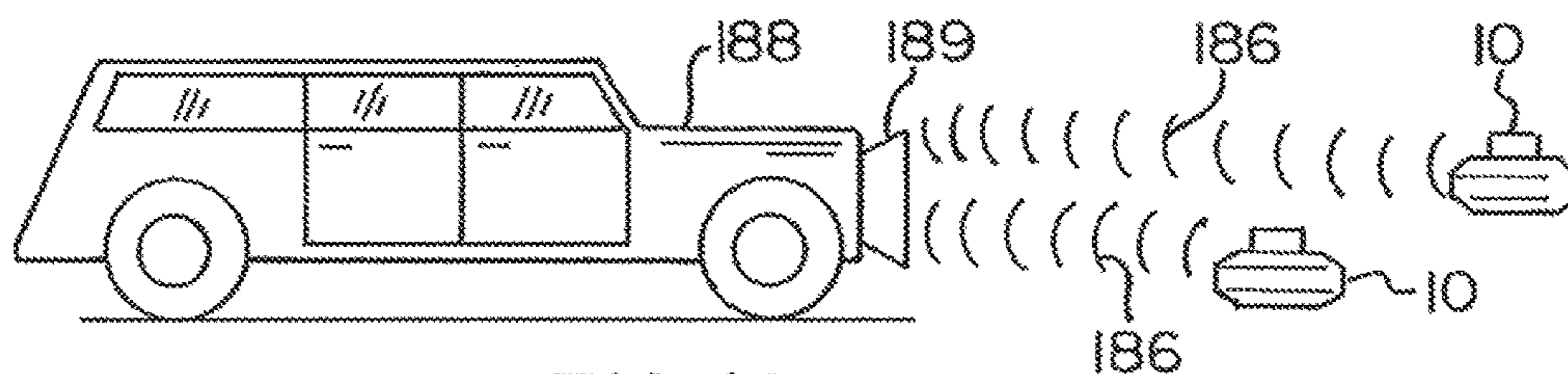


FIG. 12

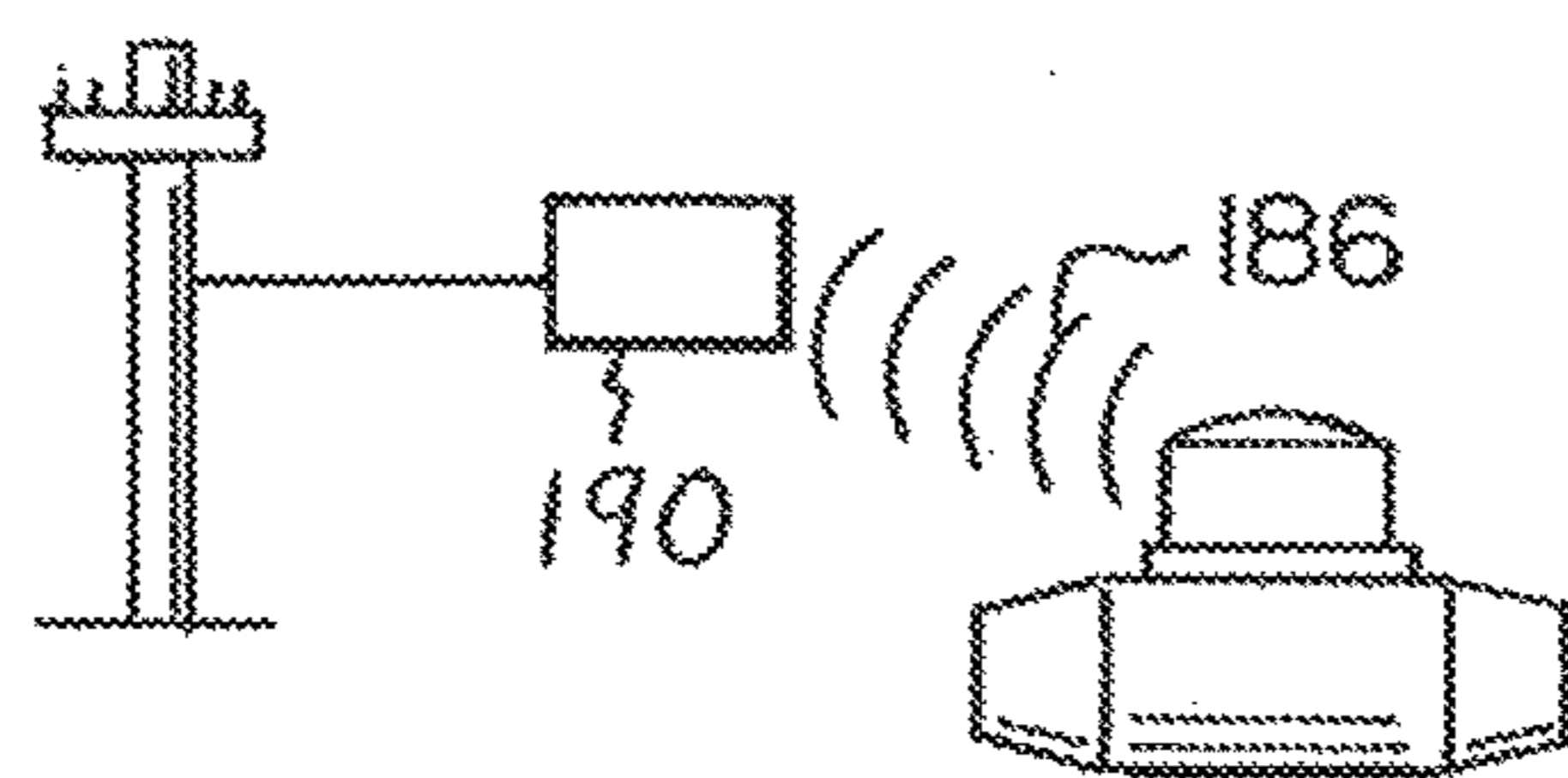


FIG. 13

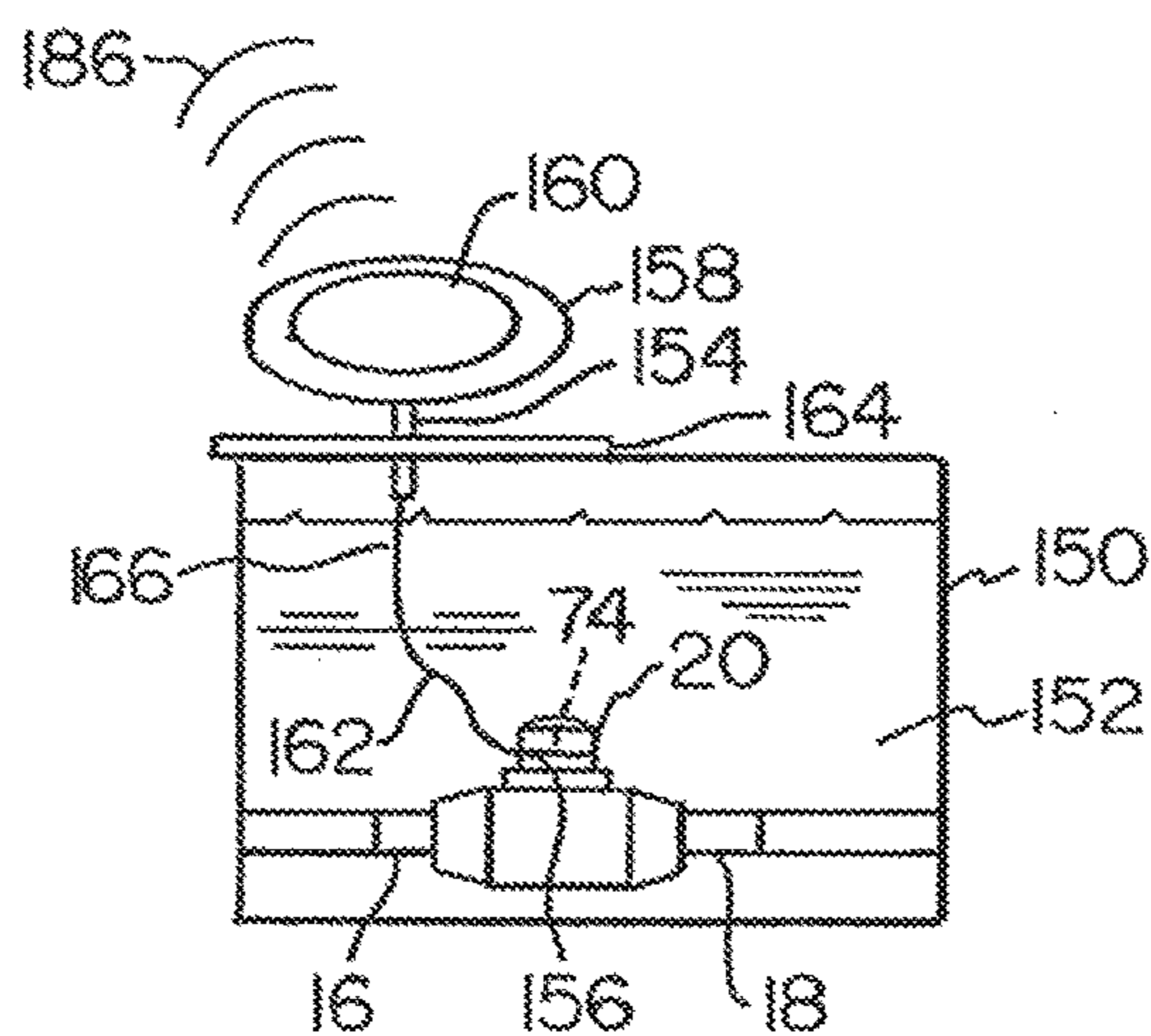


FIG. 14

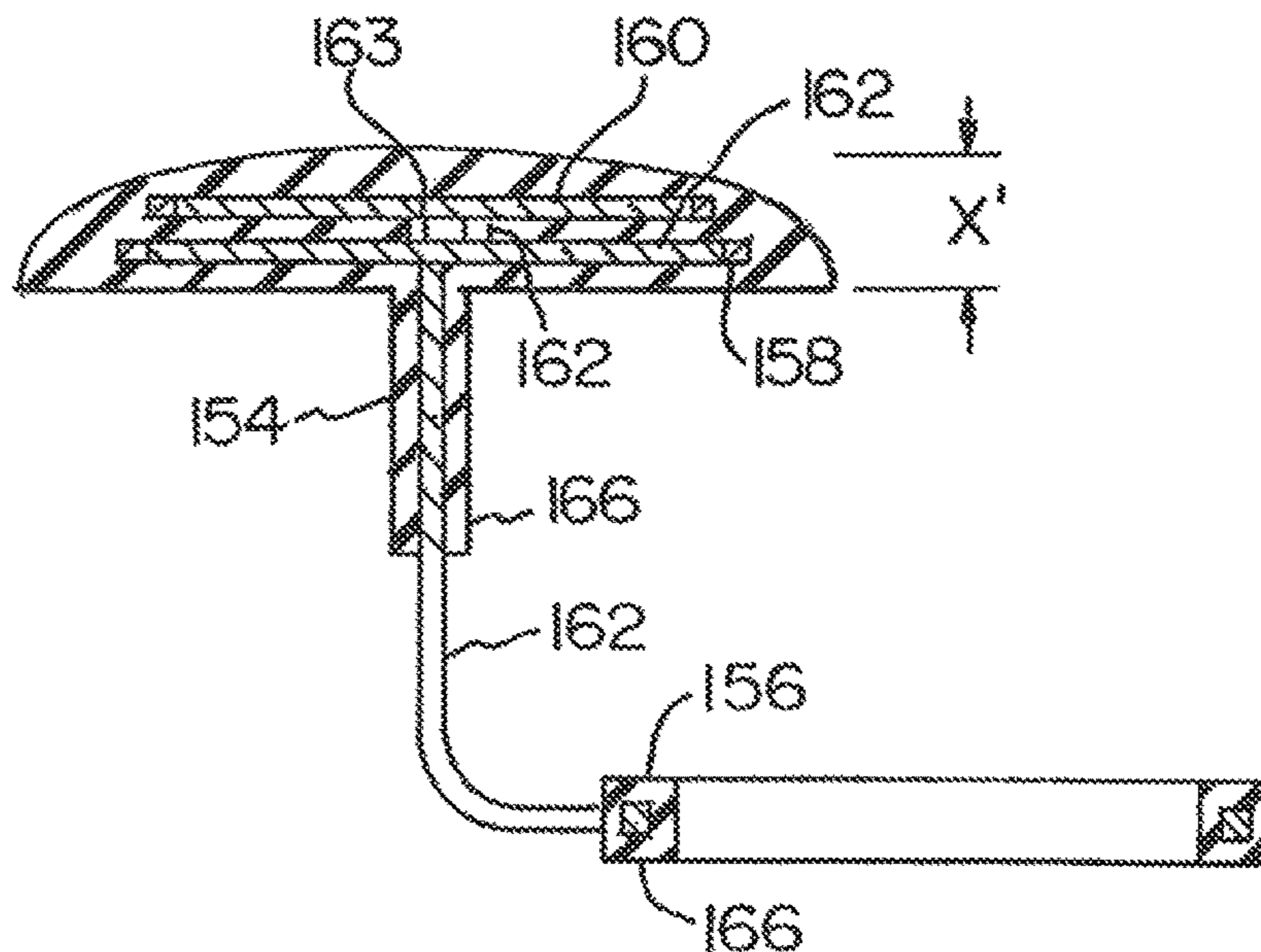


FIG. 15

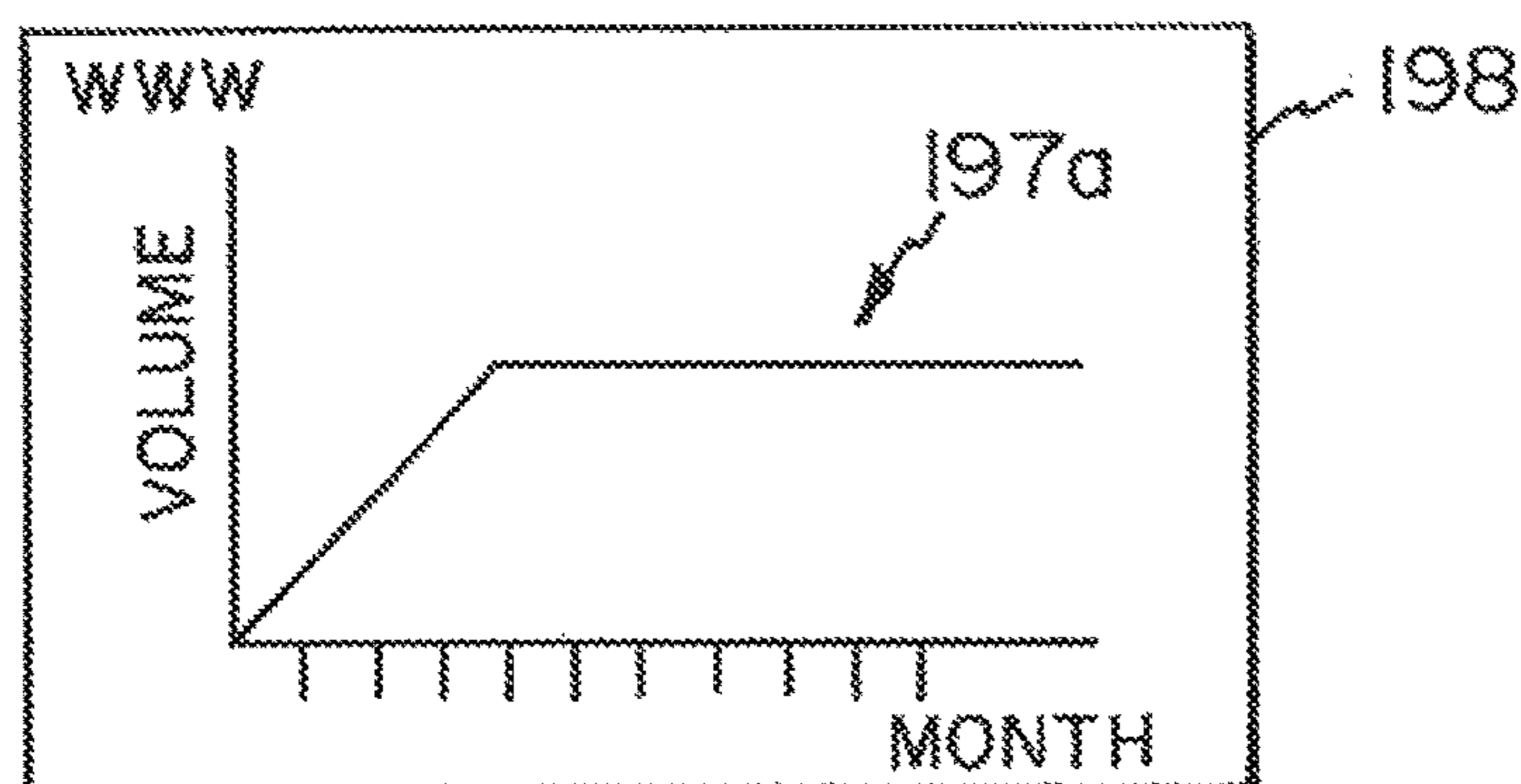


FIG. 16

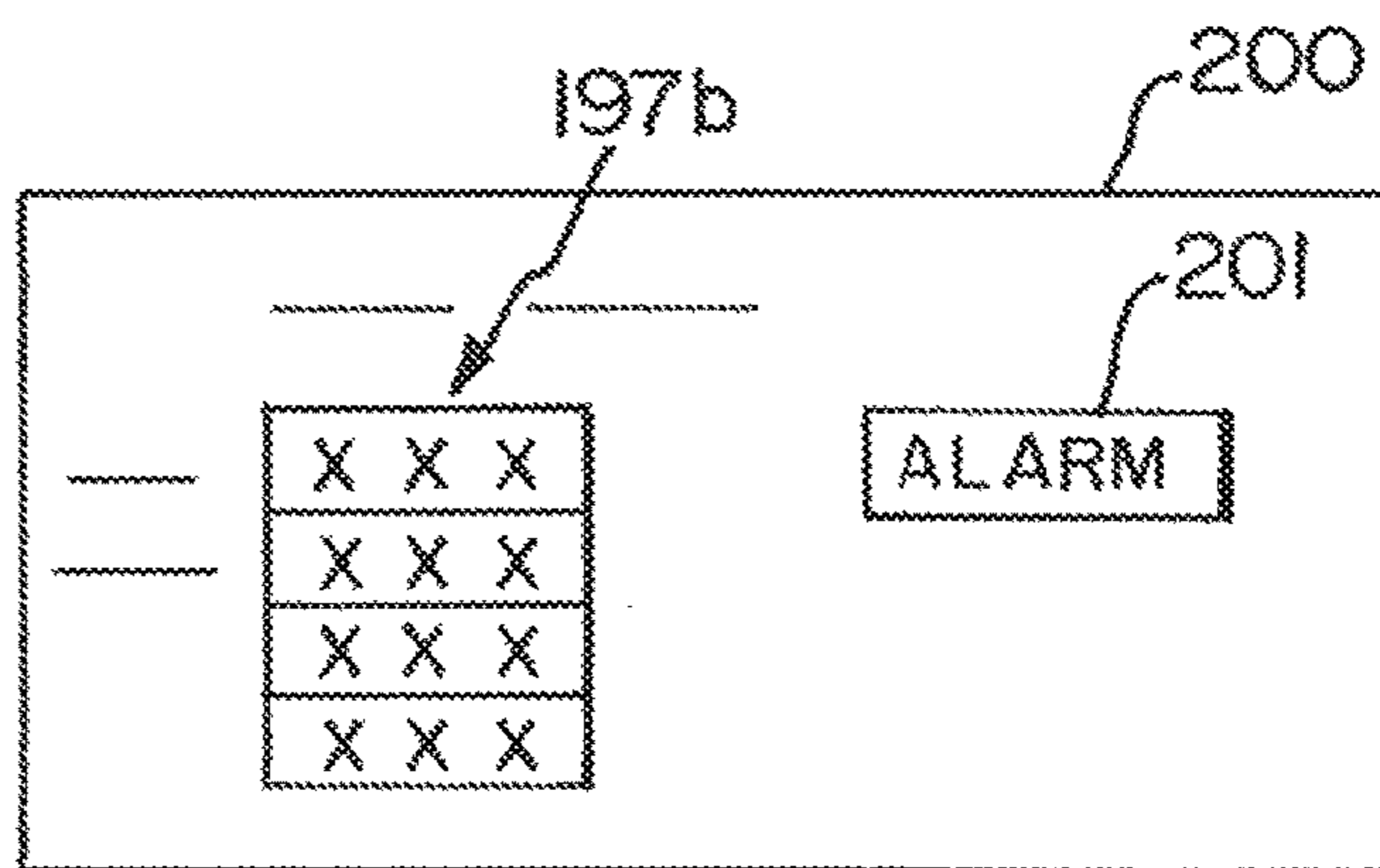


FIG. 17

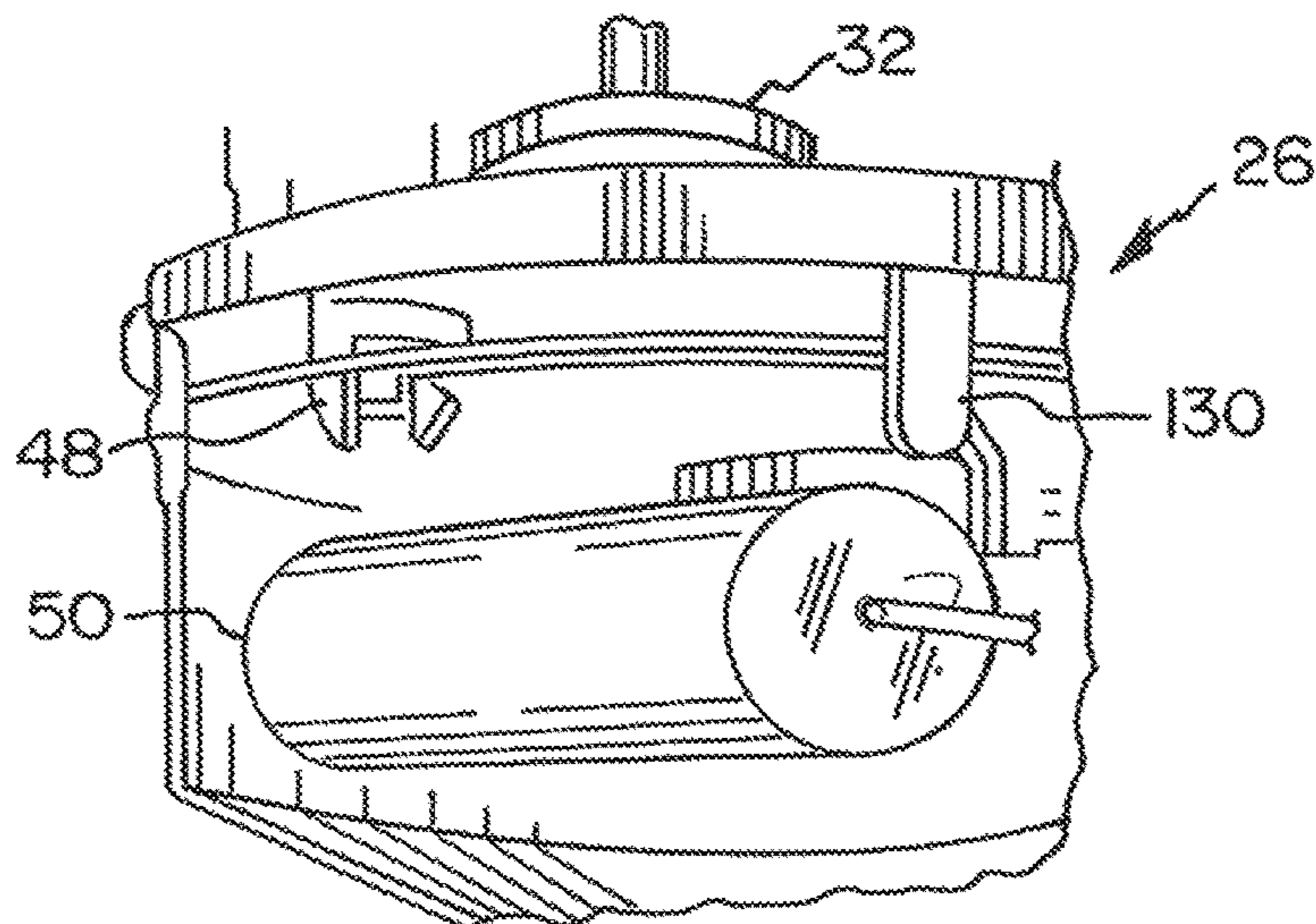


FIG. 18

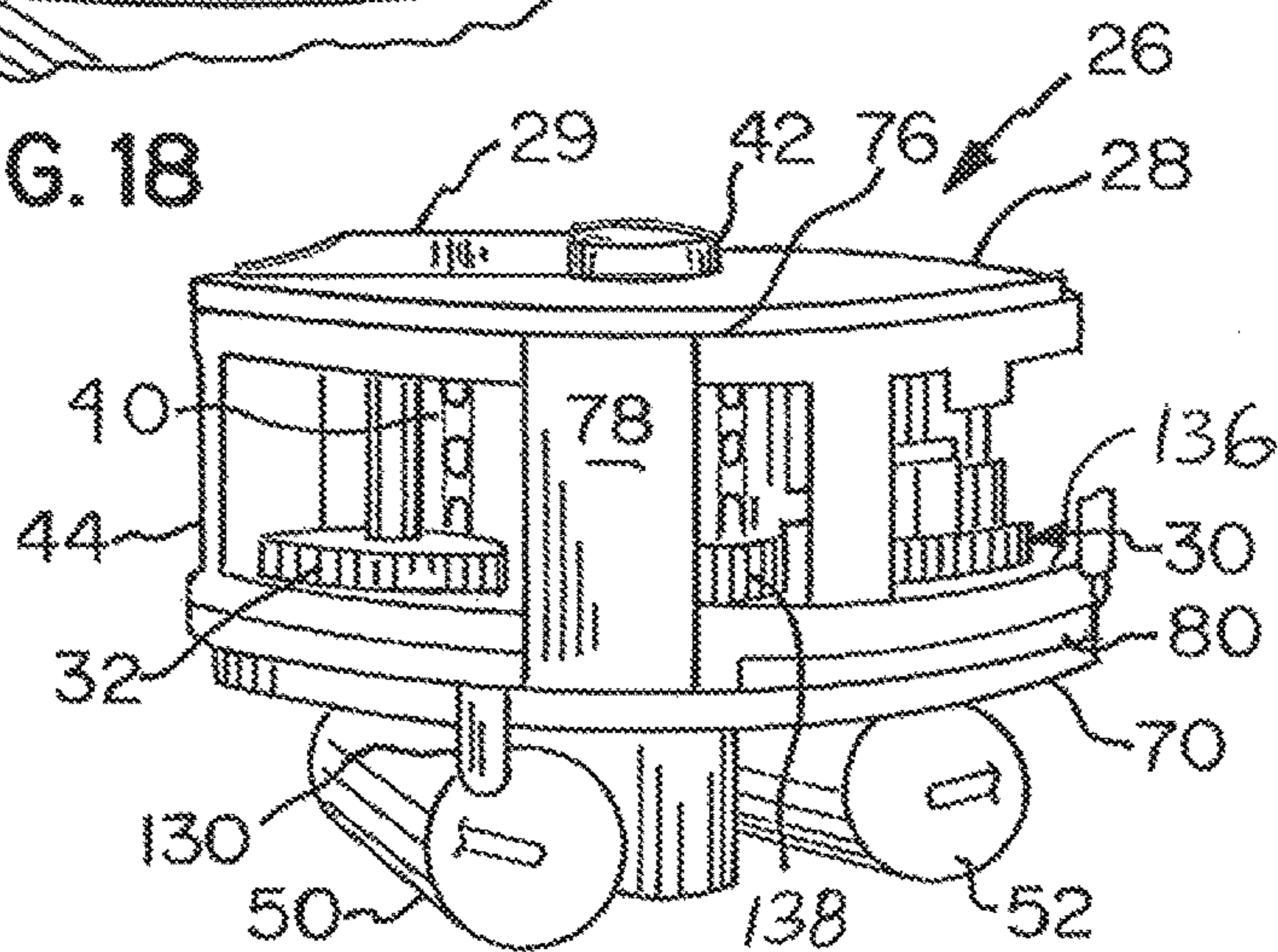


FIG. 19

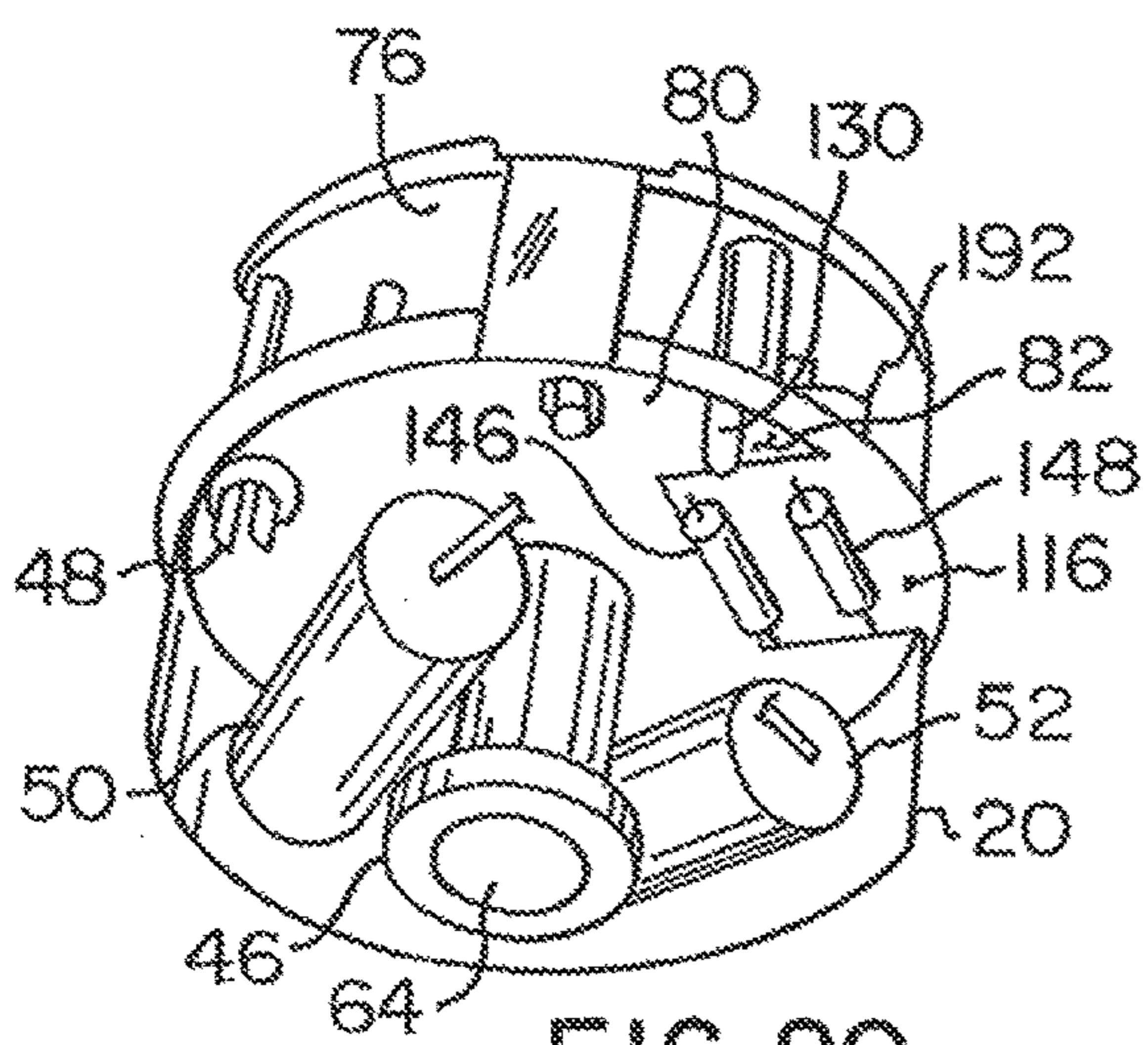


FIG. 20

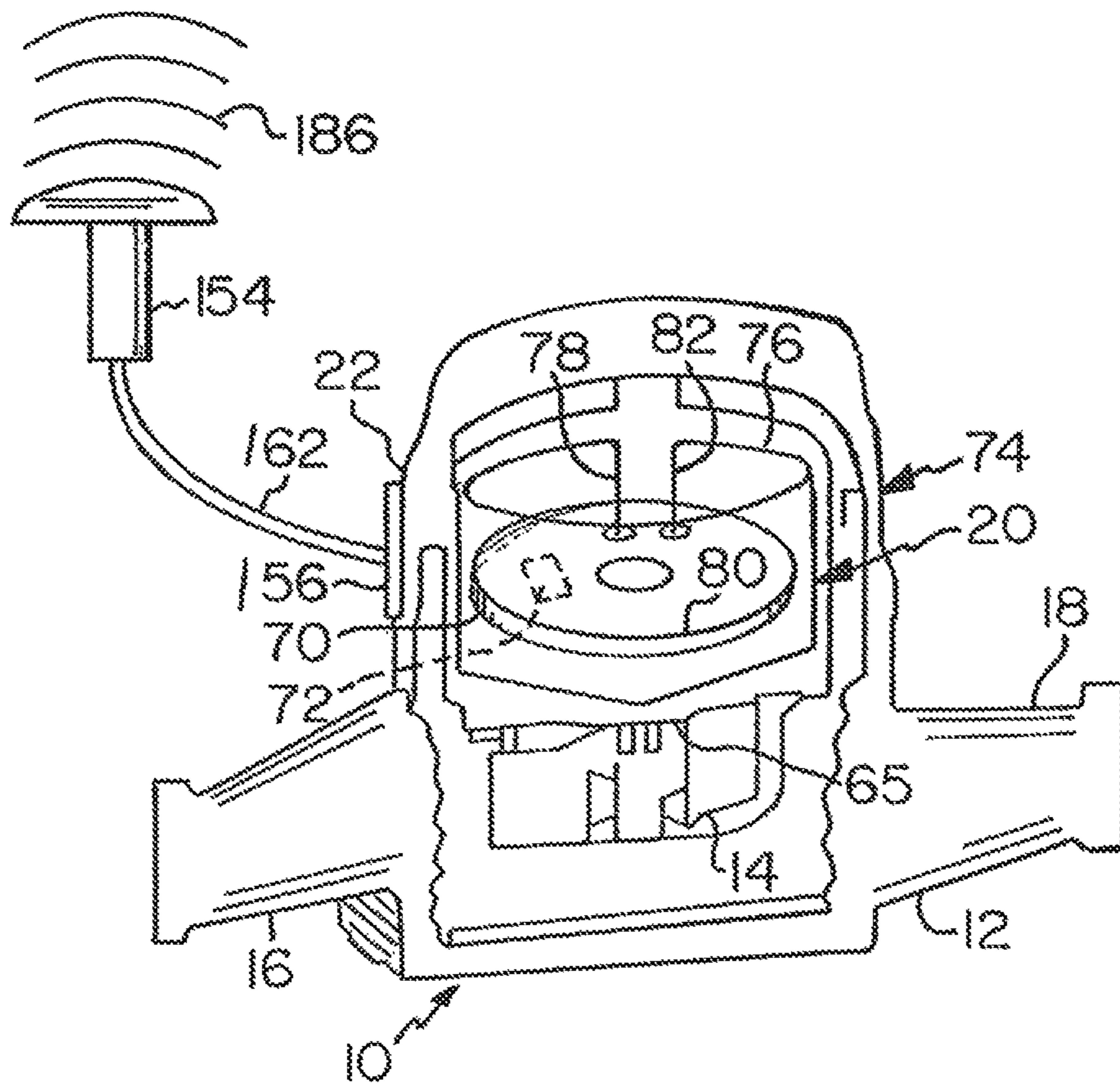


FIG. 21

METER REGISTER TRANSMITTING FLOW RATE WARNING

Matter enclosed in heavy brackets [] appears in the original patent but forms no part of this reissue specification; matter printed in italics indicates the additions made by reissue; a claim printed with strikethrough indicates that the claim was canceled, disclaimed, or held invalid by a prior post-patent action or proceeding.

CROSS REFERENCE TO RELATED APPLICATIONS

The present [invention] application is a reissue of U.S. patent application Ser. No. 12/013,853, now U.S. Pat. No. 8,109,131, which is a continuation of U.S. patent application Ser. No. 11/104,097 filed Apr. 12, 2005, now abandoned, which is a divisional of U.S. patent application Ser. No. 10/667,801, filed Sep. 22, 2003, now U.S. Pat. No. 6,954,178, which is a divisional of U.S. patent application Ser. No. 10/092,020, filed Mar. 6, 2002, now U.S. Pat. No. 6,819,292 which claims the benefit of U.S. Provisional Application No. 60/274,812 filed Mar. 9, 2001 entitled "Meter Register" which is hereby incorporated by reference in its entirety.

BACKGROUND OF THE INVENTION

1. Field of the Invention

The present invention relates to meter registers and, more particularly, to meter registers for remote reading.

2. Description of Related Art

Presently, many locales visually read utility meters to determine utility consumption. The meters, such as water meters, include an odometer that identifies the consumption of the water consumed. The odometer is read periodically and the difference between the present and the prior reading determines the amount of utility water used. For example, if the most recent water meter reading was 2 million gallons or liters and the previous water meter reading was 1.8 million gallons or liters, then 200,000 gallons or liters of water were consumed. This procedure of individually reading water meters is time consuming, labor intensive, and expensive. In a competitive market, such an expense affects profitability to the utility provider. This is especially a problem in submetering markets where a separate entity may have to be employed to read water meters in apartment buildings and apartment building complexes.

Subsequently, systems were developed relating to remote reading systems. One such system is described in U.S. Pat. No. 5,111,407 to Galpern and entitled "System for Measuring and Recording a Utility Consumption". This particular arrangement incorporated a transponder and receiver arrangement whereby a meter reader placed a meter reading device in close proximity to a transponder for a meter reading. This arrangement reduced the time spent by the meter reader on an individual site and more accurately recorded utility consumption. However, meter reading was still a labor intensive process.

Subsequently, meter reading systems have evolved whereby they are either connected to telephone lines and/or transmitters which transmit radio waves to a central location. In many instances, this eliminates many of the problems associated with utility consumption reading.

However, a problem has always existed with utility meters in that the register required substantial modification to retrofit the meter to attach a transponder. One solution was

to make a hole in the register glass to attach a wire or antenna. Other solutions included drilling holes in the register case to accomplish the same goal. Problems occur when one attempts to drill through the register case, namely, moisture buildup in the register case. The moisture buildup can corrode metallic parts and/or cause short circuiting of the electrical components.

Therefore, it is an object of the present invention to overcome the deficiencies of the prior art.

SUMMARY OF THE INVENTION

The present invention is an antenna for transmitting a radio frequency signal that includes a first electrically conductive sheet, a second electrically conductive sheet spaced a first distance apart from the first electrically conductive sheet, and an axially extending leg electrically connected to the first electrically conductive sheet and the second electrically conductive sheet. The axially extending leg is electrically conductive. Preferably, the antenna is made of metal and made of a unitary sheet of metal.

The present antenna can be incorporated in a meter register that includes a register body. A rotatable drive shaft is coupled to the register body and a drive gear is attached to the drive shaft. At least one follower gear is rotatably attached to the register body and coupled with the drive gear.

Further, the present invention is a utility meter that includes a meter body having a chamber through which material passes. A measuring unit is contained within the chamber. The chamber includes a rotating member having a magnetic member and a sealed register attached to the chamber. The sealed register includes a corresponding magnetic member attached to the drive shaft coacting with the magnetic member and the above-described antenna.

The present invention is also an antenna adapter that includes a circular metallic ring, a first electrically conductive sheet, and a second electrically conductive sheet axially spaced from the first electrically conductive sheet. A cable electrically connects the metallic ring to the first electrically conductive sheet and the second electrically conductive sheet whereby the metallic ring is adapted to be secured to an exterior portion of the meter register.

The present invention is also a method for measuring a utility that includes steps of providing a meter, providing meter register, transmitting a signal from the meter register, the signal identifying the meter type identification code and utility consumption, and receiving the information by a central authority.

The present invention is also directed to a method and apparatus to detect fluid flow movement through a meter via the meter register that includes a magnet rotatably coupled to a register drive shaft and magnetically coacting with magnetically activated switches. The position of the magnet relative to the magnetically activated switches determines position of the magnet. Over a period of time, the direction of movement of the magnet can be determined, which in turn is correlated to the direction of the movement of the drive shaft and material flowing through the meter register.

BRIEF DESCRIPTION OF THE DRAWINGS

FIG. 1 is a side elevational view of a meter including a meter register made in accordance with the present invention;

FIG. 2 is a side elevational view of the meter shown in FIG. 1 transmitting a signal to a receiver;

FIG. 3 is a side elevational view of a register made in accordance with the present invention;

FIG. 4 is an exploded side elevational view, partially in section, of the register shown in FIG. 3;

FIG. 5 is a top perspective view of a face plate and odometer of the register shown in FIGS. 3 and 4;

FIG. 6 is a top perspective view of an antenna used with the register shown in FIGS. 3 and 4;

FIG. 7 is a bottom plan view of the antenna and a portion of the antenna shown in FIG. 6;

FIG. 8 is a schematic view of a flow directional indicator used in conjunction with the register shown in FIGS. 3 and 4;

FIG. 9 is a top perspective flow indicator depicted in FIG. 8;

FIG. 10 is a chart identifying flow direction used in conjunction with the flow indicator shown in FIG. 8;

FIG. 11 is an elevational view of the register shown in FIGS. 3 and 4 receiving and emitting signals;

FIG. 12 is a schematic view showing a plurality of meters incorporating a meter register made in accordance with the present invention communicating with a receiver mounted on a vehicle;

FIG. 13 is a schematic view of a meter, including a register made in accordance with the present invention, sending a signal to a receiver which then communicates via a telephone line;

FIG. 14 shows a meter made in accordance with the present invention positioned in a pit and coupled to an auxiliary antenna;

FIG. 15 is a partial sectional view of the auxiliary antenna shown in FIG. 14;

FIG. 16 is a schematic view of a computer screen showing utility consumption in some graph form;

FIG. 17 is a schematic view of a computer screen showing utility consumption in numerical form;

FIG. 18 is a partial perspective view of a portion of the register shown in FIG. 4 made in accordance with the present invention;

FIG. 19 is a perspective bottom view of a portion of the register shown in FIG. 4;

FIG. 20 is another perspective bottom view of a portion of the register shown in FIG. 4; and

FIG. 21 is a schematic representation of the meter and auxiliary antenna made in accordance with the present invention.

DESCRIPTION OF THE PREFERRED EMBODIMENT

FIGS. 1 and 21 show a water meter 10, or meter housing, made in accordance with the present invention. The water meter 10 includes a body 12 having a measuring chamber 14, an access opening 15, an inlet 16, an outlet 18, and a register 20. Preferably, the body 12 is made of a metallic material, such as bronze, copper, plastic, or stainless steel, although it can be made of other materials. The measuring chamber 14 can include many different types of measuring-type chambers, such as positive displacement chambers and/or a vane or a multi-jet type chamber. The inlet 16 and outlet 18 are adapted to be secured to piping P. The register 20 is a sealed register received by the access opening 15 of the meter housing, and preferably is magnetically coupled to the measuring chamber 14, which includes a magnetic drive arrangement that is well known in the art. The register 20 of the water meter 10 of the present invention includes an arrangement to transmit and receive radio waves R as

depicted in FIG. 2. The radio waves R are received by a transmission/receiving arrangement, such as a tower T, as shown in FIG. 2.

FIGS. 3, 4, 18, 19, and 20 show the register 20 made in accordance with the present invention. The register 20 includes a face cap 22 attached to a metallic cup 24. Preferably, the face cap 22 is made of glass or a clear polymeric material and is fixably secured to the metallic cup 24 which can be made of copper or stainless steel. The metallic cup 24 can be received by a polymeric shroud 27. The face cap 22 is mechanically sealed to the metallic cup 24 and includes a rubber gasket or seal 25 to secure the face cap 22 and metallic cup 24 together and be held via a friction fit. An internal cavity C is defined by the face cap 22 and the metallic cup or bottom portion 24.

Referring to FIGS. 4, 5, 18, 19, and 20, the register 20 includes a register subassembly 26. The register subassembly 26 includes a face plate 28, a dial 29, and a gear train drive 30. The gear train drive 30 includes a plurality of gears 32 coacting with each other as shown in FIG. 4. Typically, the gears 32 are tooth gears that are meshed with one another. One of the gears 32s includes a magnet arrangement 34, as shown in FIG. 9. The magnet arrangement 34 takes the shape of a cruciform having four legs extending from a center, although any shape could be provided. The gear train drive 30 is coupled to a gear drive 36 positioned on the face plate 28 as shown in FIG. 5. The gear drive 36 includes meshed gears 38 which drive both an odometer 40 and a wheel dial 42, as well as a dial 29. A plurality of spacer shafts 44 is provided for spacing various boards of the register 20. A magnetic shield 46 shown in phantom in FIG. 4 is provided for anti-magnet protection. Clips 48 are provided to connect meter components together including a circuit board 70 shown in phantom in FIG. 7. Batteries 50 and 52 are electrically coupled to the circuit board 70.

A magnetic direction detection arrangement 58 is provided on a lower portion of the subassembly 26 and includes reed switches 54 and 56. The reed switches 54 and 56 are magnetically activated switches. The reed switches 54 and 56 extend along axes A and B. Axes A and B are parallel to each other. Further, the reed switches 54 and 56 are radially spaced apart from each other as depicted by r in FIG. 7. The magnetic arrangement 34 as shown in FIG. 9 is in close proximity to the reed switches 54 and 56.

Referring back to FIG. 4, a magnetic drive arrangement 60 is provided and includes a shaft or extended shaft 62 and a magnetic coupling 64 which is adapted to coact with a magnetic drive 65 of the meter measuring chamber 14. A magnetic shield 66 or anti-magnetic housing is provided for protecting the electronics from magnetic fields. More specifically, the magnetic drive arrangement 60 includes the magnetic coupling 64 attached to and contained within the drive shaft 62. Rotation of the drive shaft 62 provides the mechanical energy, i.e., force and torque, to drive the gear train drive 30, in that the drive shaft 62 is mechanically coupled to the gear drive train 30.

An electronics package 68 is provided within the register 20. The electronic package 68 includes the board 70 that has a microprocessor 72 which is electrically coupled to the batteries 50 and 52.

The register 20 includes an antenna 74 [is] electronically coupled to the microprocessor 72. As shown in FIG. 6, the antenna 74 includes an arc-shaped section 76 having a leg 78 depending therefrom and a bottom substantially circular section 80. Coaxial cable 82 is electrically coupled to the arc-shaped section 76 and the circular section 80 and electrically coupled to the microprocessor 72 as shown in

5

phantom. This type of antenna is known as a PIFA antenna. The arc-shaped section **76** is the radiating plane and the circular section **80** is the ground plane. The leg **78** causes a short circuit between the radiating plane and the ground plane. The inner conductor of the coaxial cable **82** is electrically connected to the radiating plane and the outer conductor of the coaxial cable is connected to the ground plane.

More specifically, the antenna **74** includes a first electrically conductive sheet **80**, a second electrically coupled conductive sheet **76** spaced a first distance apart X from the first metallic sheet **80**, and an axially extending leg **78** electrically connected to the first electrically conductive sheet **80** and the second electrically conductive sheet **76**. The axially extending leg **78** is likewise electrically conductive. Preferably, the first electrically conductive sheet **80**, the second electrically conductive sheet **76**, and the axially extending leg **78** are made of metal. More preferably, the first electrically conductive sheet **80**, the second electrically conductive sheet **76** and the axially extending member **78** are made from a unitary sheet of metal. The first electrically conductive sheet **80** has a first arcuate-shaped outer edge **100** and the second electrically conductive sheet **76** has a second arcuate outer edge **102** wherein the axially extending member **78** extends from the first arcuate-shaped outer edge **100** to the second arcuate-shaped outer edge **102**. The first arcuate-shaped outer edge **100** has a first radius R_1 extending from a first center point **104** and a second arcuate-shaped outer edge **102** has a second radius R_2 extending from a second center point **106**. The first center point **104** and the second center point **106** are contained on a center line **108**. The first electrically conductive sheet **80** and the second electrically conductive sheet **76** are contained in a first plane **109** and a second plane **110**, respectively. The first electrically conductive sheet **80** has a first surface area **112** and a second electrically conductive sheet **76** has a second surface area **114**, wherein the first surface area **112** is greater than the second surface area **114**. Both the first electrically conductive sheet **80** and the second electrically conductive sheet **76** include cut-out sections **116**. The cut-out sections **116** permit the antenna **74** to be accommodated by the meter register **20** by permitting other register components to be received by the cut-out sections **116**. For example, the reed switches **54** and **56** are contained within one of the cut-out sections **116**. As stated previously, the coaxial cable **82** is electrically coupled to the first electrically conductive sheet **80** and the second electrically conductive sheet **76**. Preferably, the distance X is approximately equal to or a multiple of a wavelength distance to be transmitted from the antenna **74**. Essentially, the axially extending leg **78** has a length equal to X . Although the antenna **74** shows substantially arcuate and circular sheets, the sheets can also be other shapes, such as rectangular or square, for example.

The metallic cup **24** is electrically coupled to the first electrically conductive sheet **80** and the second electrically conductive sheet **76**. The cup **24** is an opened top structure having a cylindrically-shaped side wall **118** attached to a bottom wall **120**. The bottom wall **120** slopes away from the opened top portion toward a central axis **122** passing through the cup **24**. Preferably, a portion **124** of the bottom wall **120** is frusta-conical in shape. The bottom wall **120** includes a flat central portion **126** connected to an end **128** of the frusta-conical portion **124** that is adapted to receive the magnetic coupling **64**. Preferably, the first electrically conductive sheet **80** includes tabs **130** extending therefrom used for contacting the metallic cup **24**.

6

The first electrically conductive sheet **80** is spaced a second distance Y from the bottom wall **120**, which is approximately equal to or a multiple of a wavelength to be transmitted by the antenna **74**. A portion of the subassembly **26**, which includes a mechanical portion **132** of the register **20**, that includes the gear train drive **30** is received between the first conductive sheet **80** and the second conductive sheet **76**. The electronic package **68** includes an electrical frequency generator **134** coupled to the first conductive sheet **80** via the coaxial cable **82**.

The antenna **74** is coupled to the power source, i.e., the batteries **50** and **52**, via the frequency generator **134**. More specifically, the board **70** includes the frequency generator **134** which is electrically coupled to the first electrically coupled sheet **80**.

This present arrangement results in a very compact sealed register **20** which has an internal antenna. The metallic cup **24** also acts as an amplifier for the antenna **74** and forms an antenna structure. The metallic cup **24** also amplifies the radio waves that are emitted from the antenna **74** so that they may be directed externally of the register **20** as shown in FIGS. **2**, **3**, and **11**. Furthermore, it has been found that electrically coupling the register **20** to a metallic meter case, such as the body **12**, further amplifies the signal.

Referring back to the meter register **20**, the mechanical portion of the meter register includes a register body **136** having the rotatable shaft or drive shaft **62** coupled thereto. A drive gear **138** is attached to the drive shaft **62** and at least one follower gear **32** is rotatably attached to the register body **136** coupled to the drive gear **138**. The antenna **74** is attached to the register body **136**, which is sandwiched between the first electrically conductive sheet **80** and the second electrically conductive sheet **76**. The odometer **40** is coupled to the drive gear **138** and at least one follower gear **32**. The rotatable drive shaft **62** includes a magnetic member or coupling **64** attached to a first end and the indicator **29** which attaches to a second end. The register drive shaft **62** extends along the longitudinal axis **122** and the first electrically conductive sheet **80** is contained in the first plane **109** and the second electrically conductive sheet **76** is contained in a second plane **110**, the longitudinal axis **122** being normal to the first plane **109** and the second plane **110**.

Referring to FIG. **9**, a sensing follower gear **32s** is rotatably secured to the body **136** and coacts with the drive gear **138** via a gear train drive **30** or through direct coupling. The sensing follower gear **32s** rotates about a sensing axis **140** and drives the magnet arrangement **34**. The magnet arrangement **34** includes at least one sensing magnet **142** that coacts with the sensing follower gear **32s** and is radially spaced from the sensing axis **140**. When the sensing follower gear **32s** rotates about the sensing axis **140**, the sensing magnet **142** rotates about the sensing axis **140** in a rotating magnetic plane **144**. The reed switches **54** and **56** are radially spaced. When the sensing magnet **142** and the reed switches **54** and **56** are radially aligned, the reed switches **54** and **56** are in a first state, and when the sensing magnet **142** is not radially aligned with the reed switches **54** and **56**, the reed switches **54** and **56** are in a second state. Also, only one of the reed switches **54** and **56** will be in a first or second state depending on the position of the sensing magnet **142** relative to the reed switches **54** and **56**.

A rotational direction of the sensing follower gear **32s** can therefore be determined by monitoring the sequence of the first state and second state of the reed switches **54** and **56** as shown in FIG. **10**. The reed switches **54** and **56** are electrically coupled to the microprocessor **72** which can determine the rotational direction of the magnet arrangement **34**, which

in turn can determine the rotational direction of the measuring chamber 14. In this manner, one can determine if a reverse flow or forward flow condition is occurring through the meter 10 as shown in FIG. 10, since one can determine the direction of rotation of the driveshaft 62. More particularly, as can be seen in FIGS. 8-10, the magnet 142 rotates about the sensing axis 140. Each reed switch 54 and 56 is activated depending on the proximity of the magnet 142 to the reed switches 54 and 56. The magnet 142 rotates about a circular path PA. The path PA can be divided into four segments: $\alpha\beta$, $\beta\gamma$, $\gamma\delta$, and $\delta\alpha$ when the magnet 142 is in the segment $\alpha\beta$, the reed switch 54 is in the first state or activated state designated as one (1) in FIG. 10, and the reed switch 56 is in a second state or deactivated state and designated as zero (0) in FIG. 10. When the magnet 142 is in the segment $\beta\gamma$, the reed switches 54 and 56 are in the first state or activated state and designated as one's (1) in FIG. 10. When the magnet 142 is in the segment $\gamma\delta$, the reed switch 54 is in the second state or deactivated state designated as zero (0) in FIG. 10 and the reed switch 56 is in the first state or activated state designated as one (1) in FIG. 10. Finally, if the magnet 142 is in the segment $\delta\alpha$, both reed switches 54 and 56 are in the deactivated state or second state designated as zero's (0) in FIG. 10. Depending on the sequence of the magnet position and the state of the reed switches 54 and 56, the direction of rotation can be determined.

Also, a magnetically activated switch or reed switch 148 can be provided with the register 20 and coupled to the microprocessor 72. The reed switch 148 is electrically coupled to the microprocessor 72 wherein when a magnetic field activates the magnetically activated switch 148 for a fixed period of time, the register 20 and/or antenna 74 emits a signal that indicates the register has been tampered with.

Preferably, the face cap 22 and metallic cup 24 form the internal seal chamber C via an elastomeric sealing member wherein the sealed chamber receives the register body 12. Preferably, the internal chamber C is at a pressure below atmospheric pressure and, more preferably, at a pressure minus 9 atmospheres. Hence, the microprocessor 72 and antenna 74 are maintained in the evacuated internal chamber C.

In various cases, the meter, particularly the water meter 10, is contained in a pit 150, as shown in FIG. 14, positioned in the ground. In this arrangement, the radio wave signals of the antenna 74 cannot radiate a great distance due to the properties of the pit 150. Further, in some instances, the pit 150 may fill with water 152 further hampering the transmission capability of the antenna 74. In such instances, an auxiliary antenna 154 is provided. As shown in FIG. 15, the auxiliary antenna 154 includes a circular metallic ring 156 that is adapted to be glued or fixedly attached to the face cap 22. A first pit electrically conductive sheet 158 and a second pit electrically conductive sheet 160 are provided. An electric insulator is provided between the two sheets 158 and 160, hence, sheets 158 and 160 are spaced apart. An electrically conductive wire or cable 162 attaches the circular metallic ring 156 to the first pit electrically conductive sheet or radiating plane 158 and the second pit electrically conductive sheet or ground plane 160 via a short circuit element 163. The first pit electrically conductive sheet 158 and the second pit electrically conductive sheet 160 are adapted to be positioned above a pit lid 164. The first pit electrically conductive sheet 158, second pit electrically conductive sheet 160, and short circuit element 163 also form a PIFA antenna. Further, the first pit electrically conductive sheet 158, second pit electrically conductive sheet 160, the circu-

lar metallic ring 156, and the cable 162 are encased in a polymeric coating or waterproof coating 166 so that should the pit 150 fill with water 152, the auxiliary antenna 154 is not affected. Preferably, the first pit electrically conductive sheet 158 and second pit electrically conductive sheet 160 are circular in shape and are made from one unitary metallic sheet, such as copper, along with the short circuit element 163, like antenna 74. The axial spacing X' of the first pit electrically conductive sheet 158 and the second pit electrically conductive sheet 160 is equal to or a multiple of the wavelength of the frequency transmitted by the antenna 74. It is important to note that no external power source, such as batteries, supply power to the auxiliary antenna 154. The radio waves transmitted from antenna 74 are received by the ring 156, pass through the cable 162, and are then transmitted via conductive sheets 158 and 160.

The approximate direction of one antenna 74 is as follows: diameter of the circular section 80 is approximately 2.5"; distance X is approximately 0.75"; and diameter of the arc-shaped section 76' is approximately 2.5" for approximately 180°. Likewise, the circular sheets 158 and 160 have a diameter of approximately 2.5" and spaced apart a distance X' of approximately 0.75". It is important to note that no separate electrical power is provided to the auxiliary antenna 154 and that an antenna signal 168 is generated external of the pit 150 via the first pit electrically conductive sheet 158 and the second pit electrically conductive sheet 160.

The following discusses operation of the present invention. Initially, water passes through the inlet 16 causing the measuring chamber 14 to rotate. The water then flows through the outlet 18. The measuring chamber 14 causes the magnetic drive 65 attached to the measuring chamber 14 to rotate. The corresponding magnetic coupling 64 provided in the register 20 is likewise rotated causing the drive shaft 62 to rotate. This in turn causes gears 32 of the gear train drive 30 to rotate which in turn causes the odometer 40 to move indicating the quantity of liquid flowing through the meter. At the same time, the magnet arrangement 34 rotates causing the sensing magnet 142 to rotate about the reed switches 54 and 56. Depending on the sequence of the states of the reed switches 54 and 56 as shown in FIG. 9 and previously discussed, the microprocessor 72 can determine the number of rotations of the measuring chamber and the direction of rotation. In this manner, a signal can be provided to the antenna 74 indicating the number of rotations which, in turn, determines the volumetric amount of fluid passing through the meter. Also, in this manner the position of the gear wheel 32s can be approximated by the state of the reed switches. The signal designated as 186 is then transmitted through the antenna 74 and, where applicable, the auxiliary antenna 154. In other words, depending on the situation, the antenna 74 may be used without the auxiliary antenna 154. The transmitted signal 186 is then picked up by a receiver 189. The receiver 189 may, for example, be attached to a vehicle 188 as shown in FIG. 12. The vehicle 188 receives various packets or information transmitted from the antenna 74. This information then can be transmitted to a central computer which then can provide the information to the end user through various means, including the internet. Alternatively, the meters 10 can be read by a meter reader individual going through each meter, i.e., an individual may carry a receiver and walk past the meters with the information transmitted by the respective antenna 74 and/or auxiliary antenna 154 to a receiver 189. Further, the information can be provided through a stationary receiver 190 which can then either transmit another radio wave signal or send the information through telephone lines or the equivalent. Also, the signals

can be received to a concentrator which then can be provided to a central source, such as through an Application Service Provider (ASP), which will convert the information into a usable format, which both the utility and the user can access via the internet, for example. In this manner, neither the utility nor the user needs special software to obtain billing and usage information since the central source (ASP) would provide this information in a user-friendly format, as will be discussed below.

Once the water begins to flow from the inlet **16** to the outlet **18**, the rotating element in the measuring chamber **14**, such as a multi-jet wheel, rotates which in turn causes the magnetic coupling **64** to rotate. This causes the drive shaft **62** to rotate with the respective gear train drive **30**. Hence, the dial **29** and the odometer **40** are caused to move. Likewise, the cruciform of the magnetic arrangement **34** rotates. In the present case, the magnetic arrangement **34** includes a single magnet **142**. The magnetic field caused by the magnet magnetically coacts with the two reed switches **54** and **56**. The state of the reed switches **54** and **56** are affected by the magnetic field of the magnet **142** to determine which sequence can be used to determine the direction of flow through the meter **10** such as, for example, the sequence of reed switches **54** and **56** is as follows: 0,0; 1,0; 1,1; 0,1; 0,0, etc., then this would indicate reverse flow. More than one magnet can be provided in the cruciform magnet arrangement. In the case of three magnets or an odd number of magnets provided in the cruciform section, directional flow can be determined. However, where only two oppositely positioned magnets are provided, or four magnets are provided, in each of the cruciform segments, only an indication of movement or the register can be determined, not the direction of rotation. More particularly, both flow rate and flow direction can be determined if the magnets are arranged in a non-symmetric arrangement about the cruciform, i.e., three magnets or two magnets positioned next to each other.

Further, the signal information provided via the antenna **74** may also include an odometer meter reading corresponding to the meter odometer **40**. Furthermore, the register can transmit, periodically or nonperiodically, information through the antenna **74** and identify such information as the meter coating utility consumption. Further, the antenna **74** can not only transmit information signals but, likewise, can receive information signals **194** from a transmitter **196**, that is a two-way communication. Preferably, this information can be used to correctly adjust the transmitted meter information indicating the odometer reading and other information. This permits the information to be transmitted via the meter register **20** to be modified in the field without removal of the meter register **20**.

The microprocessor **72** can also provide other information related to the operation of the meter. For example, the register **20** can monitor the flow rate via the reed switches **54** and **56**, through the meter and, if that information exceeds a fixed flow rate number or the flow rate does not change over a period of time, an alarm can be issued indicating that there may be a leak. *In another example, the register 20 can monitor the flow rate via the reed switches 54 and 56 through the meter and determine if the measured flow rate is greater than zero.* Specifically if, for example, the meter **10** can detect a flow rate Q as low as 1 liter or quart per hour and over a fixed period of time t , e.g., thirty minutes, and if Q/t over a fixed period of time, e.g., one hour, remains constant, then this could indicate a leak condition. A low constant flow rate over a period of time could indicate a small leak, such as in a toilet, or a large consistent flow rate

over a period of time could indicate that a main water line has failed or a bathtub is overflowing. An alarm can be issued either at the location of the meter, or via e-mail or a telephone message, for example.

Preferably, the batteries **50** and **52** provide power to the electronics of the register at 10 milliwatts and power consumption is typical at 2 micro amperes. It is believed that in this arrangement the battery life can be approximately 8 years. Preferably, the antenna **74** transmits data having a 3.3-4 milliseconds length of compression data and the time between transmissions can vary, for example, 6 seconds or twice a day from the meter, depending on the particular situation. The meter **10** can also receive information, i.e., radio signals Q , from a transmitting source TS as shown in FIG. **11**. More preferably, the present invention system transmits information through a series of character strings that essentially identify a base code, an I.D. code, a system code, an area code, a meter-type water consumption register, reverse flow consumption, status, and a billing factor. This information can be modified on a case-by-case basis. Preferably, the present invention transmits at radio frequencies of 10 dbm (10 mW) narrow band, 800-980 MHz frequency or any other radio frequency, for example, per FCC (United States Federal Communications Commission).

More preferably, the present invention can be utilized in connection with the vehicle **188** which can receive the meter reading signals **186** emitted from the register antenna **74**. Specifically, the vehicle **188** can travel a set meter reading route. Along that route the vehicle receiving unit **189** will receive the various radio waves from respective meters **10**. The vehicle **188** can be provided with computer assistance to store this information. This information, which includes consumption information, can be sent to a central computer for billing and other information. The vehicle receiving unit can identify if it does not receive the signal from the meter designated on the route. This may indicate that an antenna wire was cut and/or the register was tampered with. An alternative arrangement can be provided that the meter antenna transmits meter reading information to a communication concentrator. This information can be forwarded via a communication line, such as a modem line, or radio waves to a central computer for collation of the information. As described earlier, this information can then be sent to an ASP. This information can be analyzed for billing purposes.

Finally, the information transmitted via the antenna **74** can then be provided through a world-wide-web or internet-based system whereby the user or utility can obtain this information via typing into a computer the user's I.D. number and password at the ASP website. The present invention can also be used in the submetering market, where the submetering entity is responsible for collecting utility fees from users. Such information that may be obtained is meter usage **197a** and billing information **197b** via screens **198** and **200** such as shown in FIGS. **14** and **15**. This information would be presented in real time. Therefore, if one wishes to monitor utility consumption, he or she need only to log onto this website from anywhere throughout the world where internet access is available. Further, utilities and users need not use special software packages to obtain the information since it would be provided by the web-based ASP that provides respective reports. Further, if it is believed that there is a leak occurring or tampering of the meter, an e-mail message **201** or automated message can be sent to the household or business for an emergency telephone number for further evaluation. For example, if a leak is detected in a home, the home owner could be e-mailed or telephoned at an emergency number to check whether a leak is occurring.

11

Furthermore, a physical alarm can be provided on the meter, in which case, an alarm can be emitted from that meter. Also, an opening and closing valve can be provided on the pipe p, which can be remotely activated to an opened and/or closed position depending on the volume of water passing through the meter. As can be seen, the present invention solves many problems that are in existence in automatic meter reading technology. Further, the present invention can be used to measure any type of fluid, including water, gas, gasoline, etc., as well as any other type of metered materials.

Having described the presently preferred embodiments of this invention, it is to be understood that it may otherwise be embodied within the scope of the appended claims.

The invention claimed is:

1. A method of detecting a leak in a liquid consumption system, comprising the following steps:

providing a meter housing having a liquid inlet opening, a liquid outlet opening, a measuring chamber between, and in fluid communication with, the liquid inlet and the liquid outlet openings, and a cavity having an access opening;

providing a sealed meter register in the access opening of the meter housing, wherein the meter register comprises a microprocessor and an antenna sealed within wherein the antenna comprises a first electrically-conductive member connected to an extending leg and a second electrically-conductive member spaced an axial distance from the first conductive member, and the meter register is magnetically coupled with the measuring chamber to coact with the measuring chamber to receive liquid flow information from the measuring chamber, wherein the microprocessor of the meter register receives the liquid flow information and measures the amount of liquid flowing through the measuring chamber as a function of time defined as a measured flow rate, wherein the sealed meter register and the meter housing form a meter;

passing a liquid from a liquid source, through the liquid inlet opening of the meter, through the measuring chamber of the meter and through the liquid outlet opening of the meter to the liquid consumption system, wherein as the liquid moves the measuring chamber, the measuring chamber generates the liquid flow information, and the microprocessor provides the measured flow rate; [and

generating a signal indicating a leak when the measured flow rate is greater than zero and when one of the following events occurs:

- (i) the measured flow rate remains constant over a fixed period of time, or
- (ii) the measured flow rate exceeds a threshold flow rate value]

programming the microprocessor to determine;

- (i) if the measured flow rate is greater than zero;
- (ii) if the measured flow rate remains constant over a fixed period of time; and
- (iii) if the measured flow rate exceeds a threshold flow rate value; and

wherein a signal is generated to indicate a leak when the microprocessor determines conditions (i) and (ii) are present, or conditions (i) and (iii) are present,

wherein the signal generated indicating a leak is an alarm emitted from the meter and a wireless signal is transmitted through the antenna from the meter to a location other than the meter indicating leak, and

wherein comprising the further step of providing shut-off means in a liquid line which is coupled to said meter

12

and opening and closing said shut-off means depending on the volume of liquid passing through said meter.

2. The method as claimed in claim 1, further comprising the steps monitoring performance of said meter register to determine if said meter register has been tampered with and of transmitting information when said meter has been tampered with.

3. The method as claimed in claim 1, further comprising providing a magnetically activated device with the meter register, the magnetically activated device coupled with the microprocessor, and monitoring performance of the meter register to determine if the meter register has been tampered with and transmitting information when said meter has been tampered with, wherein said tampering comprises subjecting said [meter register] magnetically activated device to a magnetic field above a threshold value for a fixed period of time, and wherein the antenna emits a signal that indicates the meter register has been tampered with.

4. The method as claimed in claim 1, wherein said meter is adapted to receive signals from an external source.

[5. The method as claimed in claim 1, further comprising the step of providing shut-off means in a liquid line which is coupled to said meter and opening and closing said shut-off means depending on the volume of liquid passing through said meter.]

6. The method as claimed in claim 1, wherein the [transmitted] signal is an identification signal.

7. The method as claimed in claim 1, wherein the liquid is water.

8. The method as claimed in claim 1, [wherein] further comprising an automated meter reading step, where information is collected and transmitted automatically, based on information related to the operation of the meter register and meter [are part of an automated meter reading system].

[9. The method as claimed in claim 1, wherein the signal is transmitted to indicate a leak when the measured flow rate is greater than zero and the measured flow rate remains constant over a fixed period of time.]

[10. The method as claimed in claim 1, wherein the signal is transmitted to indicate a leak when the measured flow rate is greater than zero and the measured flow rate exceeds a threshold value.]

11. A method of detecting a leak in a fluid consumption system, comprising the following steps:

providing a fluid meter to pass a fluid from a fluid source, through the meter to the fluid consumption system, the fluid meter comprising a body and a sealed meter register;

providing a sealed meter register with one or more rotating magnetic couplings to coact with the meter to measure the amount of fluid flowing through the meter from the fluid source to the fluid consumption system;

providing a microprocessor within the sealed meter register to receive fluid flow information from the meter register to measure the amount of fluid moving through the meter from the fluid source to the fluid consumption system as a function of time defined as a measured flow rate;

[generating] providing an antenna within the sealed meter register, wherein the antenna comprises a first electrically-conductive member connected to an extending leg and a second electrically-conductive member spaced an axial distance from the first conductive member; the antenna acting with the microprocessor to transmit a [transmitted] signal indicating a leak [when the measured flow rate is greater than zero and when one of the following events occurs:

13

- (i) the measured flow rate remains constant a fixed volume over a fixed period of time, or
- (ii) the measured flow rate exceeds a threshold flow rate value.】

programming the microprocessor to determine:

- (i) if the measured flow rate is greater than zero;
- (ii) if the measured flow rate remains constant over a fixed period of time; and
- (iii) if the measured flow rate exceeds a threshold flow rate value; and

wherein a signal is generated to indicate a leak when the microprocessor determines conditions (i) and (ii) are present, or conditions (i) and (iii) are present; and

said method further comprises the step of determining reverse flow through said meter and transmitting such information; and

wherein the signal generated indicating a leak is an alarm emitted from the meter and a wireless signal is transmitted through the antenna from the meter to a location other than the meter indicating leak, and

wherein comprising the further step of providing shut-off means in a liquid line which is coupled to said meter and opening and closing said shut-off means depending on the volume of liquid passing through said meter.

12. A method of detecting a leak in a liquid consumption system, comprising the following steps:

providing a meter having a measuring chamber, wherein a liquid passes from a liquid source, through the measuring chamber of the meter to the liquid consumption system【;】 and

【providing】 a sealed meter register having a microprocessor and an antenna connected to the microprocessor within the sealed meter register wherein the antenna comprises a first electrically-conductive member connected to an extending leg and a second electrically-conductive member spaced an axial distance from the first conductive member, wherein the sealed meter register is magnetically coupled with the measuring chamber to coact with the meter to measure the amount of liquid flowing from the liquid source through the meter to the liquid consumption system, and wherein the microprocessor receives liquid flow information from the meter register to measure the amount of liquid from the liquid source moving through the meter to the liquid consumption system as a function of time defined as a measured flow rate; 【and

generating a signal indicating a leak when the measured flow rate is greater than zero and when one of the following events occurs:

- (i) the measured flow rate remains constant over a fixed period of time, or
- (ii) the measured flow rate exceeds a threshold flow rate value.】

programming the microprocessor to determine:

- (i) if the measured flow rate is greater than zero;
- (ii) if the measured flow rate remains constant over a fixed period of time; and
- (iii) if the measured flow rate exceeds a threshold flow rate value; and

wherein a signal is generated to indicate a leak when the microprocessor determines conditions (i) and (ii) are present, or conditions (i) and (iii) are present,

wherein said signal includes information corresponding to an odometer reading on said meter; and

wherein the signal generated indicating a leak is an alarm emitted from the meter and a wireless signal is trans-

14

mitted through the antenna from the meter to a location other than the meter indicating leak, and
wherein comprising the further step of providing shut-off means in a liquid line which is coupled to said meter and opening and closing said shut-off means depending on the volume of liquid passing through said meter.

13. A method of detecting a leak in a liquid consumption system, comprising the following steps:

providing a meter adapted to receive signals from an external source, the meter having a measuring chamber, wherein a liquid passes from a liquid source, through the measuring chamber of the meter to the liquid consumption system【;】 and

【providing】 a sealed meter register having a microprocessor and an antenna within the sealed meter register wherein the antenna comprises a first electrically-conductive member connected to an extending leg and a second electrically-conductive member spaced an axial distance from the first conductive member, wherein the meter register is magnetically coupled with the measuring chamber to coact with the meter to measure the amount of liquid flowing from the liquid source through the meter to the liquid consumption system, and wherein the microprocessor receives liquid flow information from the meter register to measure the amount of liquid from the liquid source moving through the meter to the liquid consumption system as a function of time defined as a measured flow rate; 【and generating a signal indicating a leak when the measured flow rate is greater than zero and when one of the following events occurs:

- (i) the measured flow rate remains constant over a fixed period of time, or
- (ii) the measured flow rate exceeds a threshold flow rate value.】

programming the microprocessor to determine;

- (i) if the measured flow rate is greater than zero;
- (ii) if the measured flow rate remains constant over a fixed period of time; and
- (iii) if the measured flow rate exceeds a threshold flow rate value; and

wherein a signal is generated to indicate a leak when the microprocessor determines conditions (i) and (ii) are present, or conditions (i) and (iii) are present; and

transmitting to the meter a first signal from the external source to adjust a transmitting second signal from the meter, the second signal indicating an odometer reading; and

wherein the signal generated indicating a leak is an alarm emitted from the meter and a wireless signal is transmitted through the antenna from the meter to a location other than the meter indicating leak, and

wherein comprising the further step of providing shut-off means in a liquid line which is coupled to said meter and opening and closing said shut-off means depending on the volume of liquid passing through said meter.

14. A system for determining a leak in a liquid consumption system, comprising:

a sealed register body having a face portion and a body defining an internal cavity, the internal cavity under negative pressure;

a rotatable follower magnetic member provided in said internal cavity, said follower magnetic member adapted to be rotated by a driving magnetic member external of said sealed register body, said follower magnetic member provided within said internal cavity;

15

an antenna provided within said internal cavity, and a visual display provided within said internal cavity and visible through said face portion wherein the antenna comprises a first electrically-conductive member connected to an extending leg and a second electrically-conductive member spaced an axial distance from the first conductive member; and
 a microprocessor within the internal cavity and coaxing with the antenna, wherein the rotatable follower member coacts with the microprocessor to determine a volume of flow and/or a flow rate through a meter, wherein the antenna is adapted to transmit a signal defined as a first signal identifying the flow rate and/or the volume of flow measured by the sealed register body, wherein said visual display displays a volume of flow measured by the sealed register body that corresponds to a number of rotations of said rotatable follower member, and wherein the microprocessor generates a signal defined as a second signal indicating a

16

leak when the measured flow rate is greater than zero and when one of the following events occurs:
 (i) the measured flow rate remains constant over a fixed period of time, or
 (ii) the measured flow rate exceeds a threshold flow rate value, and
 the antenna is adapted to transmit the second signal indicating a leak,
 wherein the signal generated indicating a leak is an alarm emitted from the meter and a wireless signal is transmitted from the meter to a location other than the meter indicating leak,
 a meter body coupled to said sealed register body; and
 a shut-off valve in a liquid line which is coupled to said meter.
 15. The method as claimed in claim 1, wherein interior of the meter register has a negative pressure.
 16. The method as claimed in claim 3, wherein the magnetically activated device is a reed switch.

* * * * *

UNITED STATES PATENT AND TRADEMARK OFFICE
CERTIFICATE OF CORRECTION

PATENT NO. : RE47,407 E
APPLICATION NO. : 13/670754
DATED : May 28, 2019
INVENTOR(S) : Dan Winter

Page 1 of 1

It is certified that error appears in the above-identified patent and that said Letters Patent is hereby corrected as shown below:

In the Specification

Column 1, Line 18, after "11/104,097" insert -- , --

Column 1, Line 22, after "6,819,292" insert -- , --

In the Claims

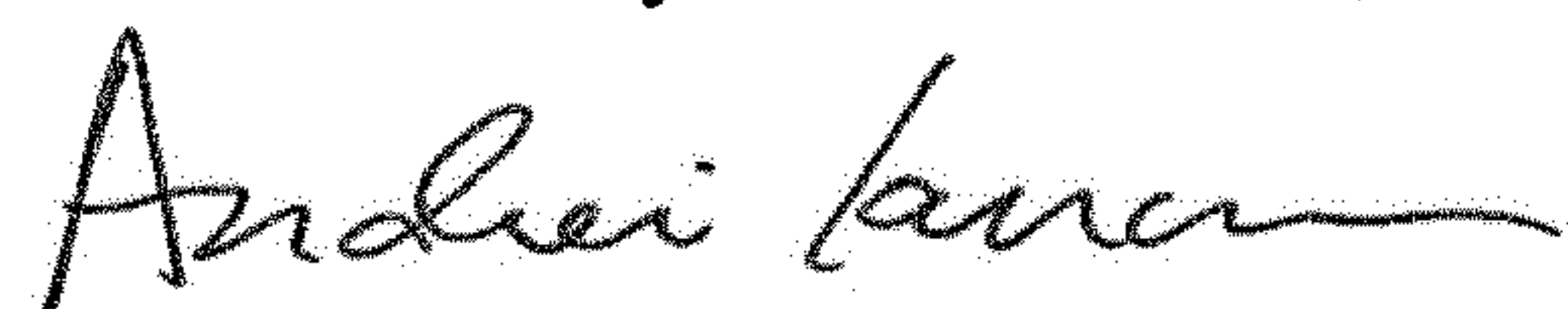
Column 11, Line 42, Claim 1, after "moves" insert -- through --

Column 11, Line 53, Claim 1, delete "determine;" and insert -- determine: --

Column 12, Line 65, Claim 11, delete "leak" and insert -- leak, --

Column 14, Line 37, Claim 13, delete "determine;" and insert -- determine: --

Signed and Sealed this
Nineteenth Day of November, 2019



Andrei Iancu
Director of the United States Patent and Trademark Office