



US00RE47386E

(19) **United States**
(12) **Reissued Patent**
Gilock et al.

(10) **Patent Number:** **US RE47,386 E**
(45) **Date of Reissued Patent:** **May 14, 2019**

(54) **MICROWAVE OVEN**

(71) Applicant: **Samsung Electronics Co., Ltd.**,
Suwon-si, Gyeonggi-do (KR)

(72) Inventors: **Lee Gilock**, Seoul (KR); **Kwack Jung Kyung**, Seoul (KR)

(73) Assignee: **Samsung Electronics Co., Ltd.**,
Gyeonggi-do (KR)

(21) Appl. No.: **29/528,925**

(22) Filed: **Jun. 2, 2015**

Related U.S. Patent Documents

Reissue of:

(64) Patent No.: **Des. 683,576**
Issued: **Jun. 4, 2013**
Appl. No.: **29/374,742**
Filed: **Sep. 29, 2011**

(30) **Foreign Application Priority Data**

Sep. 22, 2011 (KR) 30-2011-0039265

(51) **LOC (11) Cl.** **07-02**

(52) **U.S. Cl.**
USPC **D7/351**

(58) **Field of Classification Search**
USPC D7/349, 350.1, 350.3, 351, 402, 405
(Continued)

(56) **References Cited**

U.S. PATENT DOCUMENTS

D63,212 S * 11/1923 Baylis D6/603
D518,680 S * 4/2006 Kim D7/351
(Continued)

OTHER PUBLICATIONS

Notice of Allowance dated May 5, 2017 for co-pending U.S. Appl. No. 29/565,903.

Primary Examiner — Philip S Hyder

(74) *Attorney, Agent, or Firm* — Harness, Dickey & Pierce, P.L.C.

(57) **CLAIM**

We claim the ornamental design for a microwave oven, as shown and described.

DESCRIPTION

More than one reissue application has been filed for U.S. Design Pat. No. D683,576. The reissue applications are divisional reissue application Ser. No. 29/565,903 and the present reissue application Ser. No. 29/528,925, all of which are reissues of U.S. Design Pat. No. D683,576.

FIG. 1 is a top, front and right [side] perspective view of a microwave oven showing our new design;

FIG. 2 is a front elevational view thereof;

FIG. 3 is a rear elevational view thereof;

FIG. 4 is a left side elevational view thereof;

FIG. 5 is a right side elevational view thereof;

FIG. 6 is a top plan view thereof;

FIG. 7 is a bottom plan view thereof; [and,]

FIG. 8 is a bottom, front, and right side perspective view thereof[.];

FIG. 9 is a perspective of a second embodiment of the microwave oven, showing our new design;

FIG. 10 is a front elevational view thereof;

FIG. 11 is a rear elevational view thereof;

FIG. 12 is a left side elevational view thereof;

FIG. 13 is a right side elevational view thereof;

FIG. 14 is a top plan view thereof;

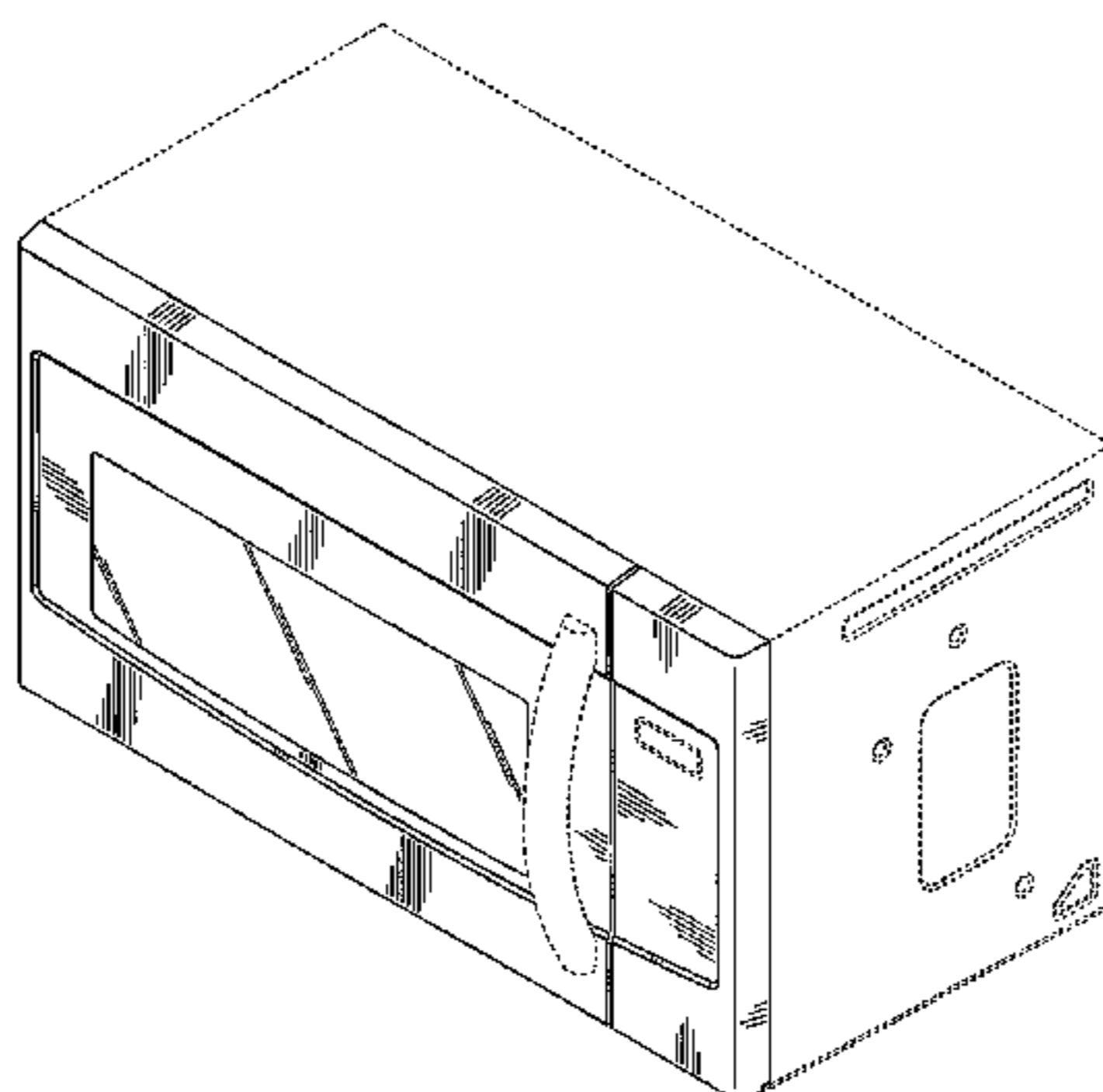
FIG. 15 is a bottom plan view thereof; and,

FIG. 16 is a bottom, front, and right perspective view thereof.

The broken lines depict portions of the microwave oven in which the design is embodied that are not considered part of the claimed design.

1 Claim, 16 Drawing Sheets

Matter enclosed in heavy brackets [] appears in the original patent but forms no part of this reissue; matter printed in italics indicates the additions made by reissue.



NEW

(58) **Field of Classification Search**

CPC H05B 6/64; H05B 6/6417; H05B 6/6414

See application file for complete search history.

(56) **References Cited**

U.S. PATENT DOCUMENTS

| | | | | | | |
|----------|---|---|---------|--------------|-------|--------|
| D532,645 | S | * | 11/2006 | Lee | | D7/351 |
| D561,529 | S | * | 2/2008 | Suh | | D7/351 |
| D576,834 | S | * | 9/2008 | Shin et al. | | D7/351 |
| D576,835 | S | * | 9/2008 | Shin | | D7/351 |
| D583,614 | S | * | 12/2008 | Chung et al. | | D7/351 |
| D607,264 | S | * | 1/2010 | Lee | | D7/351 |
| D631,388 | S | * | 1/2011 | Itzkowitz | | D11/90 |
| D631,688 | S | * | 2/2011 | Kim et al. | | D7/351 |
| D631,689 | S | | 2/2011 | Kim et al. | | |
| D632,125 | S | * | 2/2011 | Kim | | D7/351 |
| D633,328 | S | * | 3/2011 | Shin | | D7/351 |
| D633,750 | S | * | 3/2011 | Baek et al. | | D7/351 |
| D633,751 | S | * | 3/2011 | Baek et al. | | D7/351 |
| D634,576 | S | * | 3/2011 | Baek et al. | | D7/351 |
| D653,908 | S | * | 2/2012 | Browne | | D7/405 |
| D673,416 | S | * | 1/2013 | Lee | | D7/351 |
| D673,417 | S | * | 1/2013 | Lee | | D7/351 |
| D673,805 | S | * | 1/2013 | Lee | | D7/351 |

* cited by examiner

FIG. 1

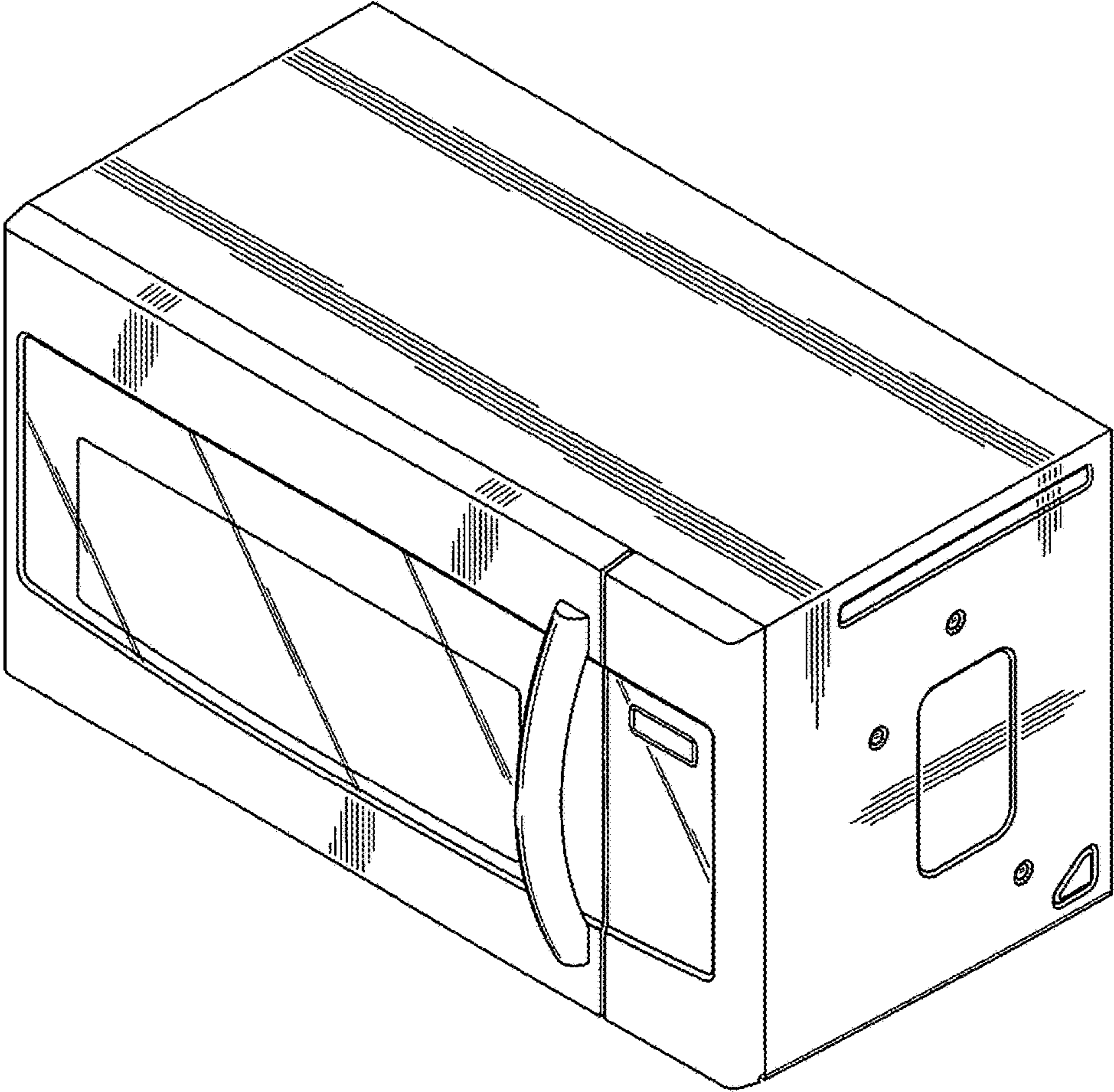


FIG. 2

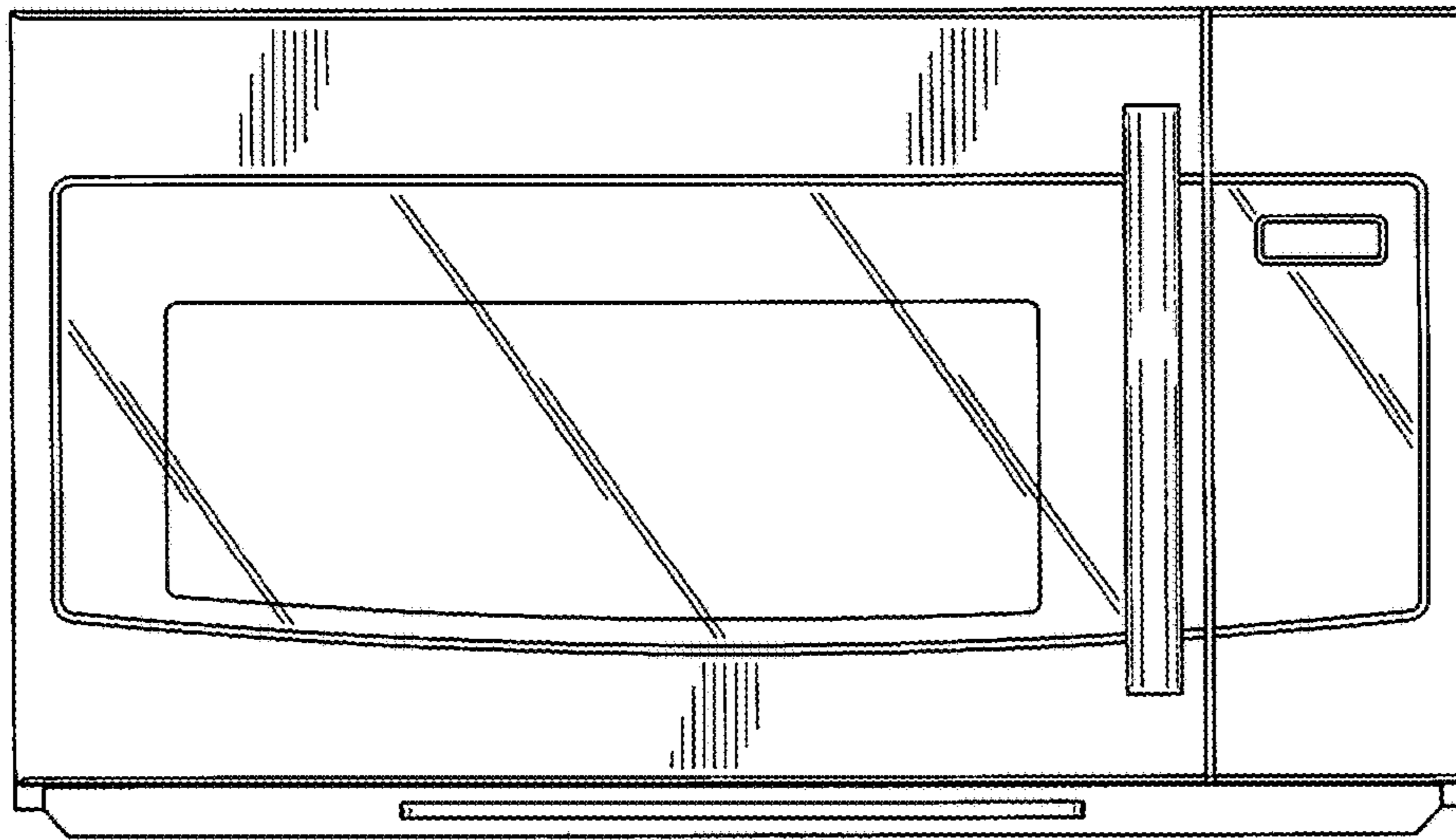


FIG. 3

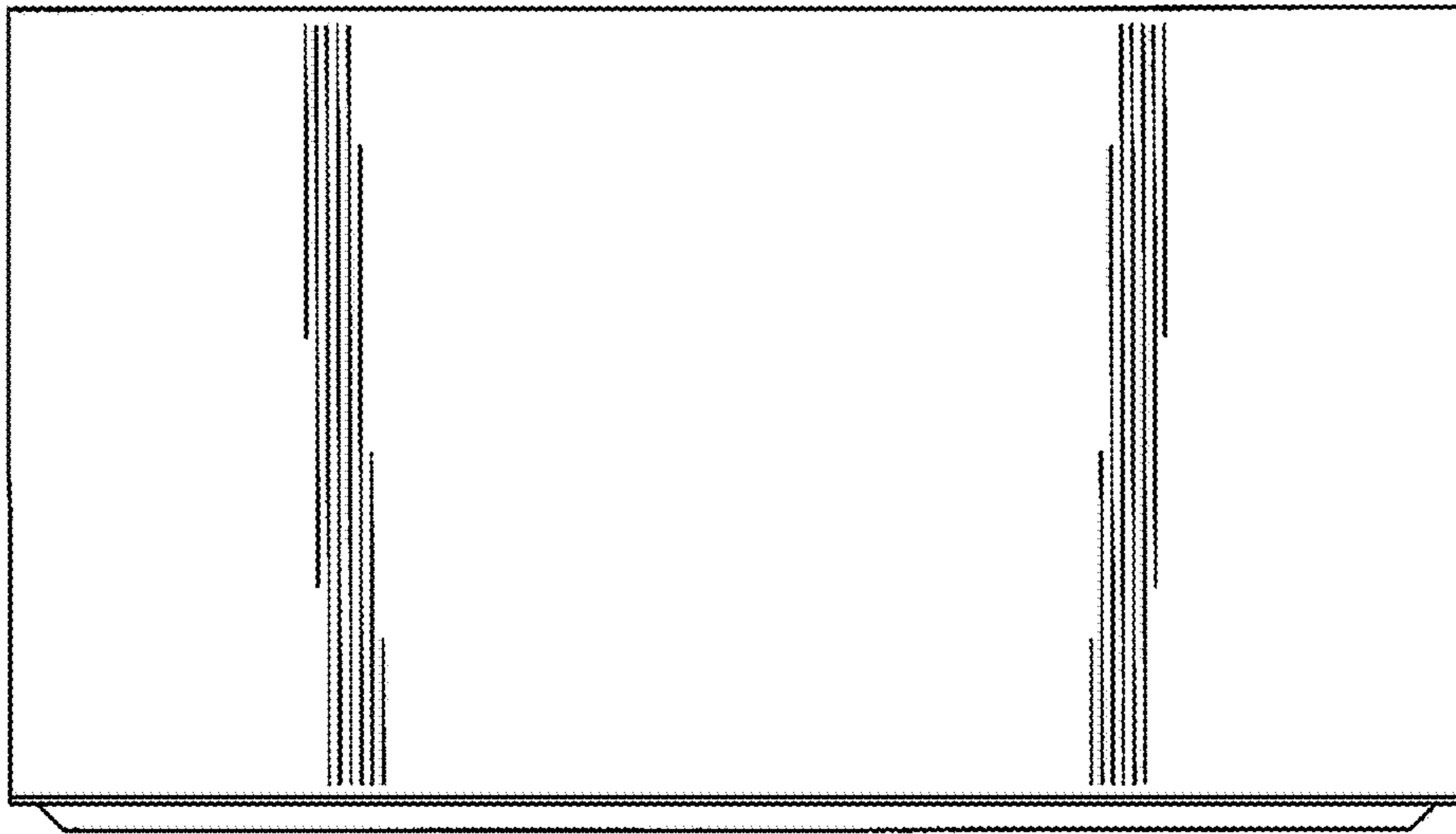


FIG. 4

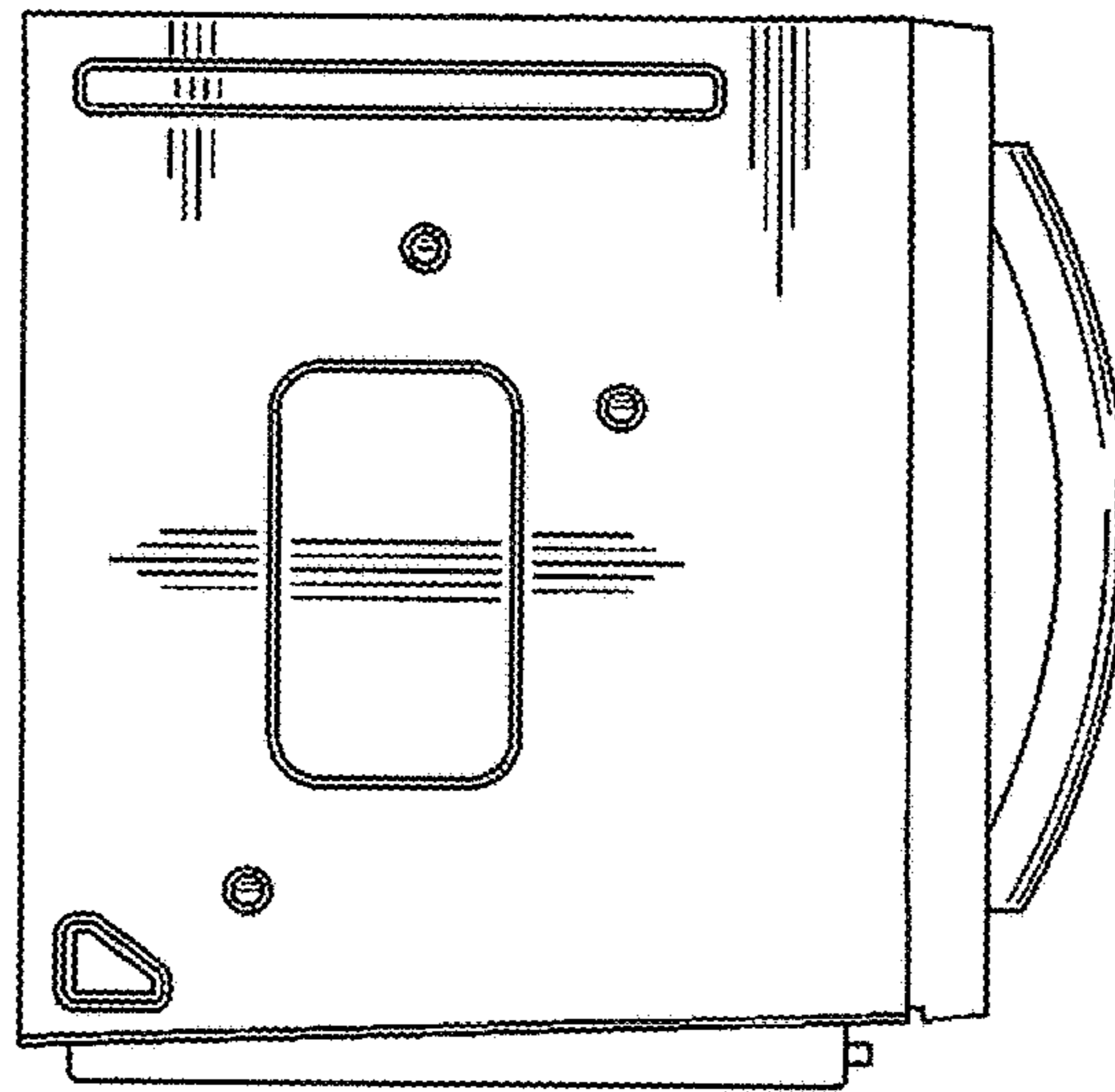


FIG. 5

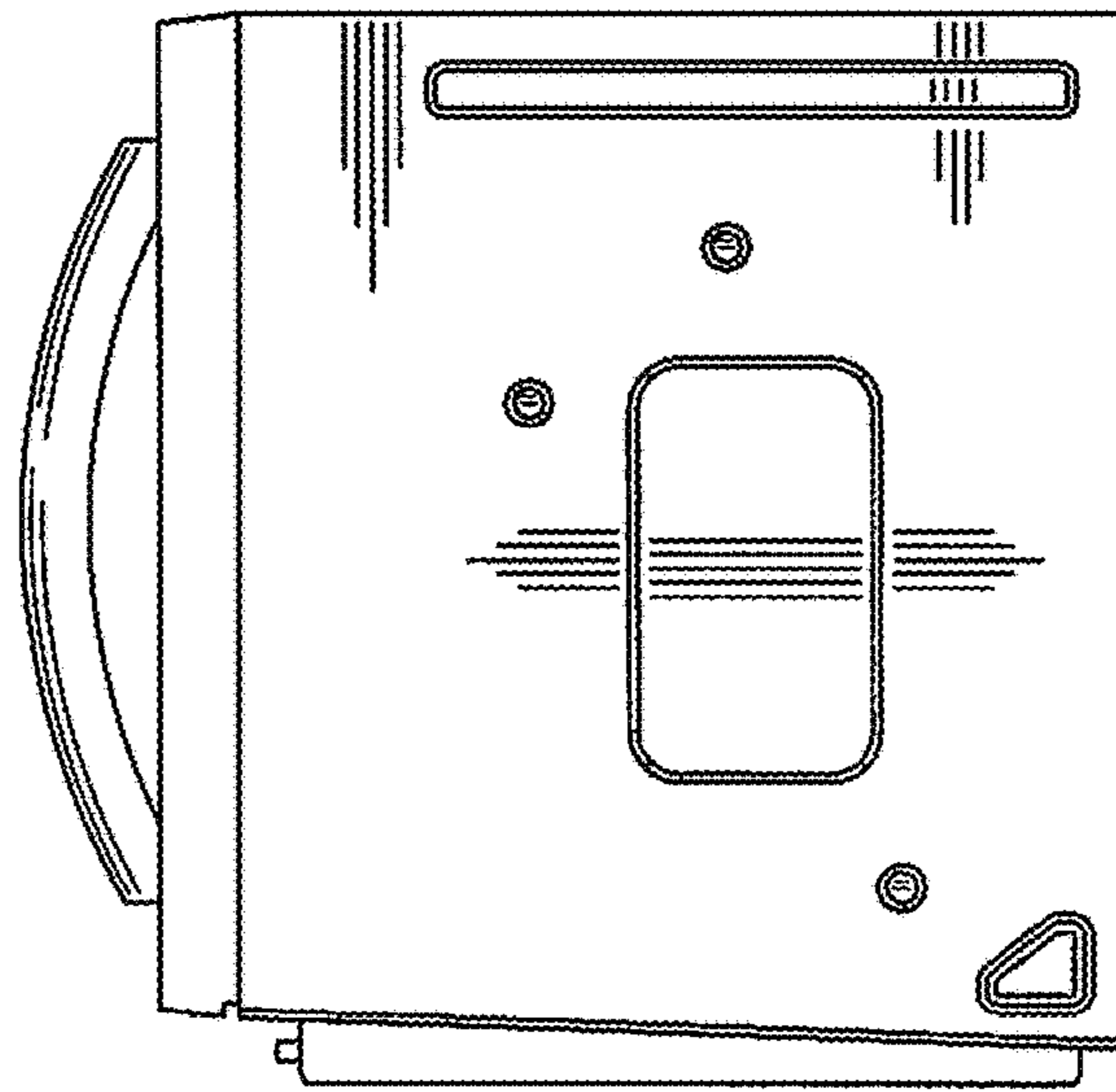


FIG. 6

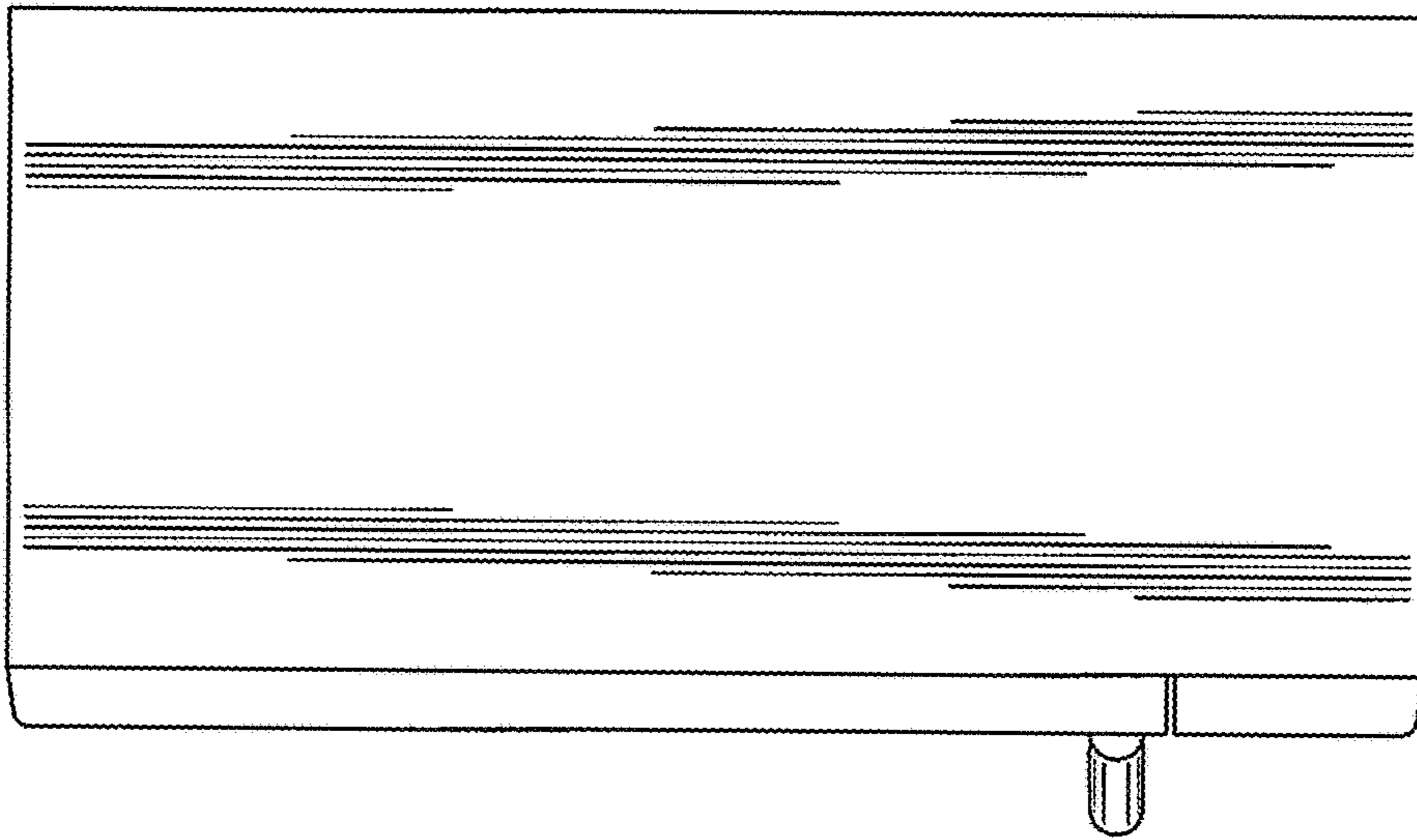


FIG. 7

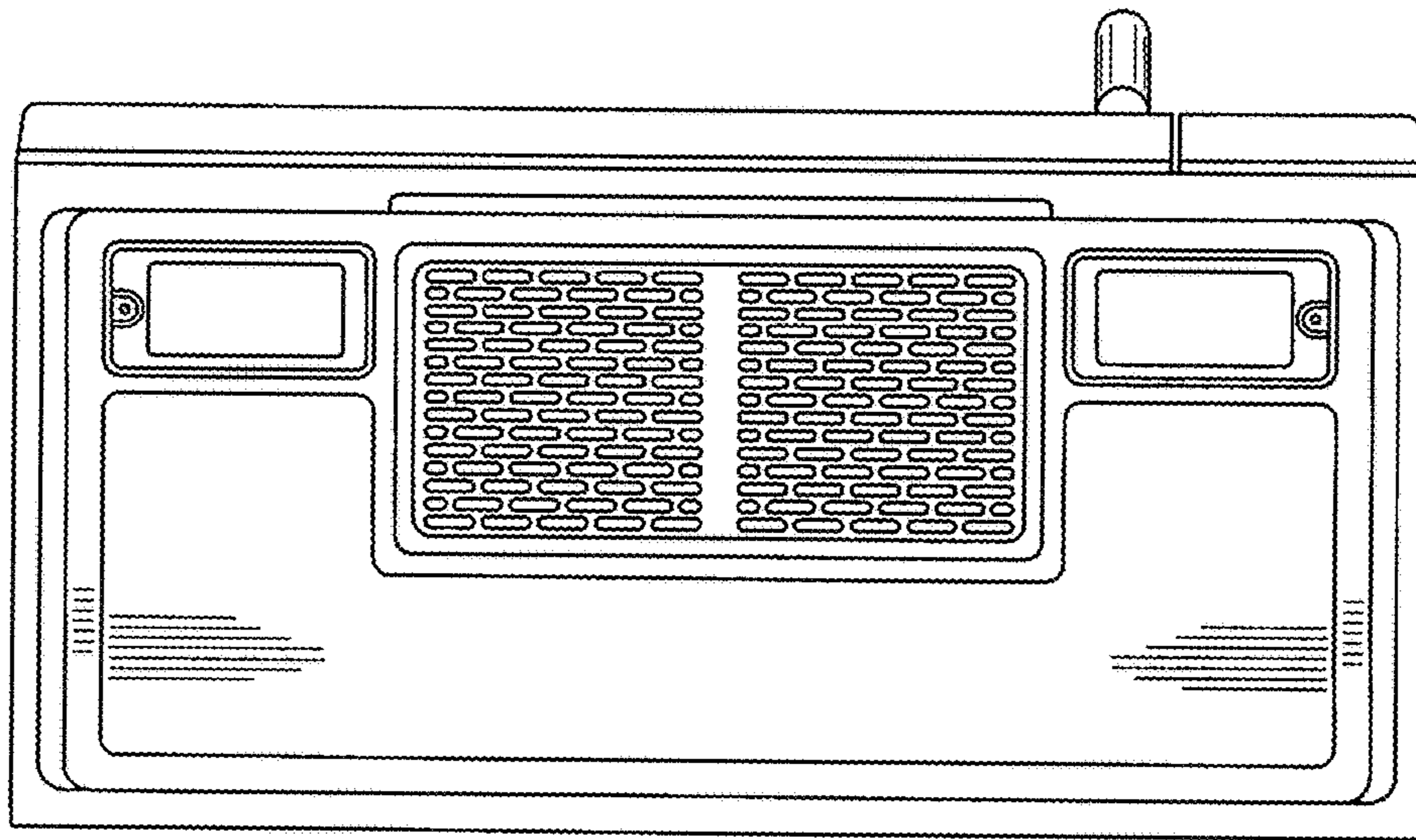


FIG. 8

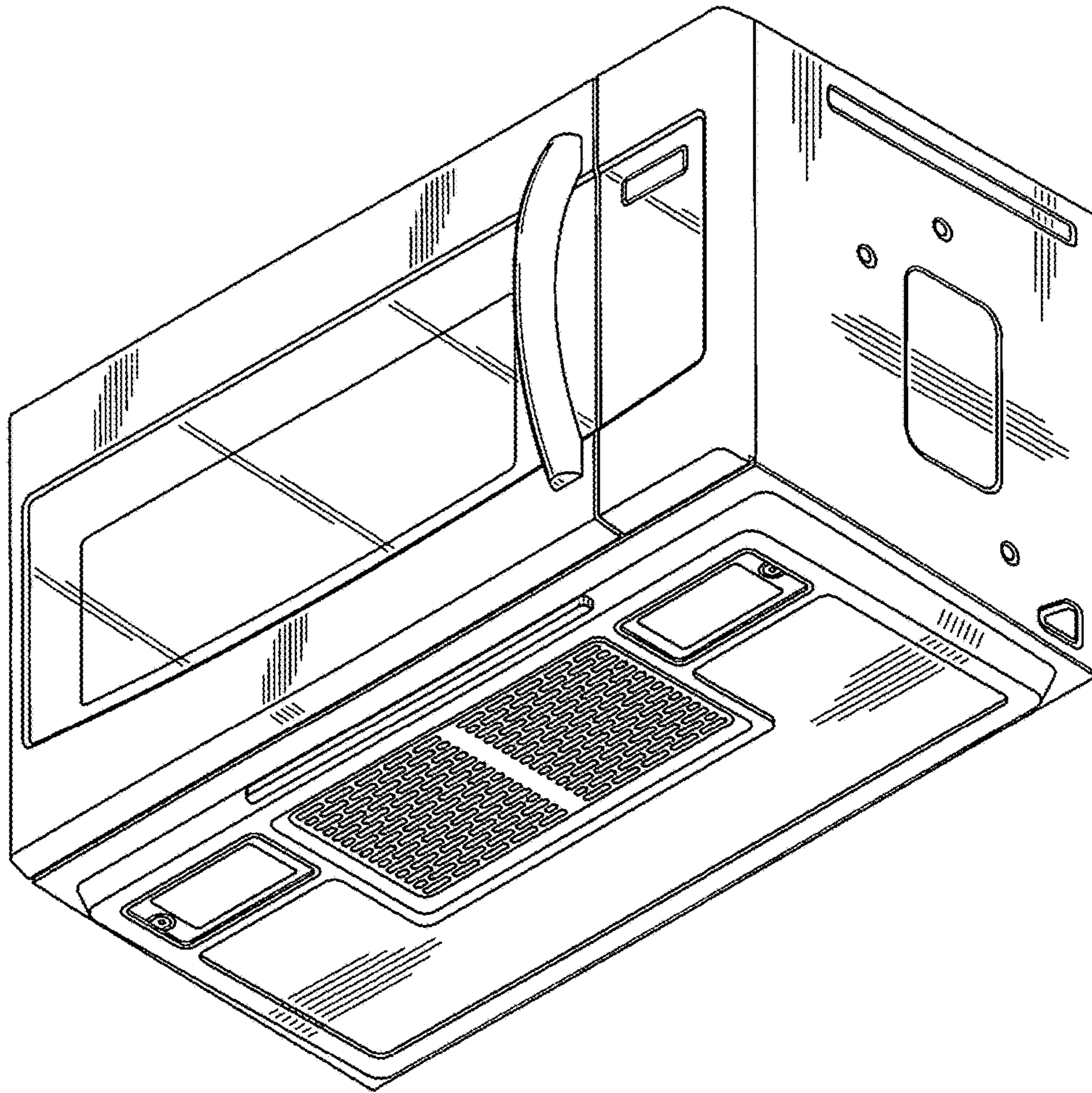
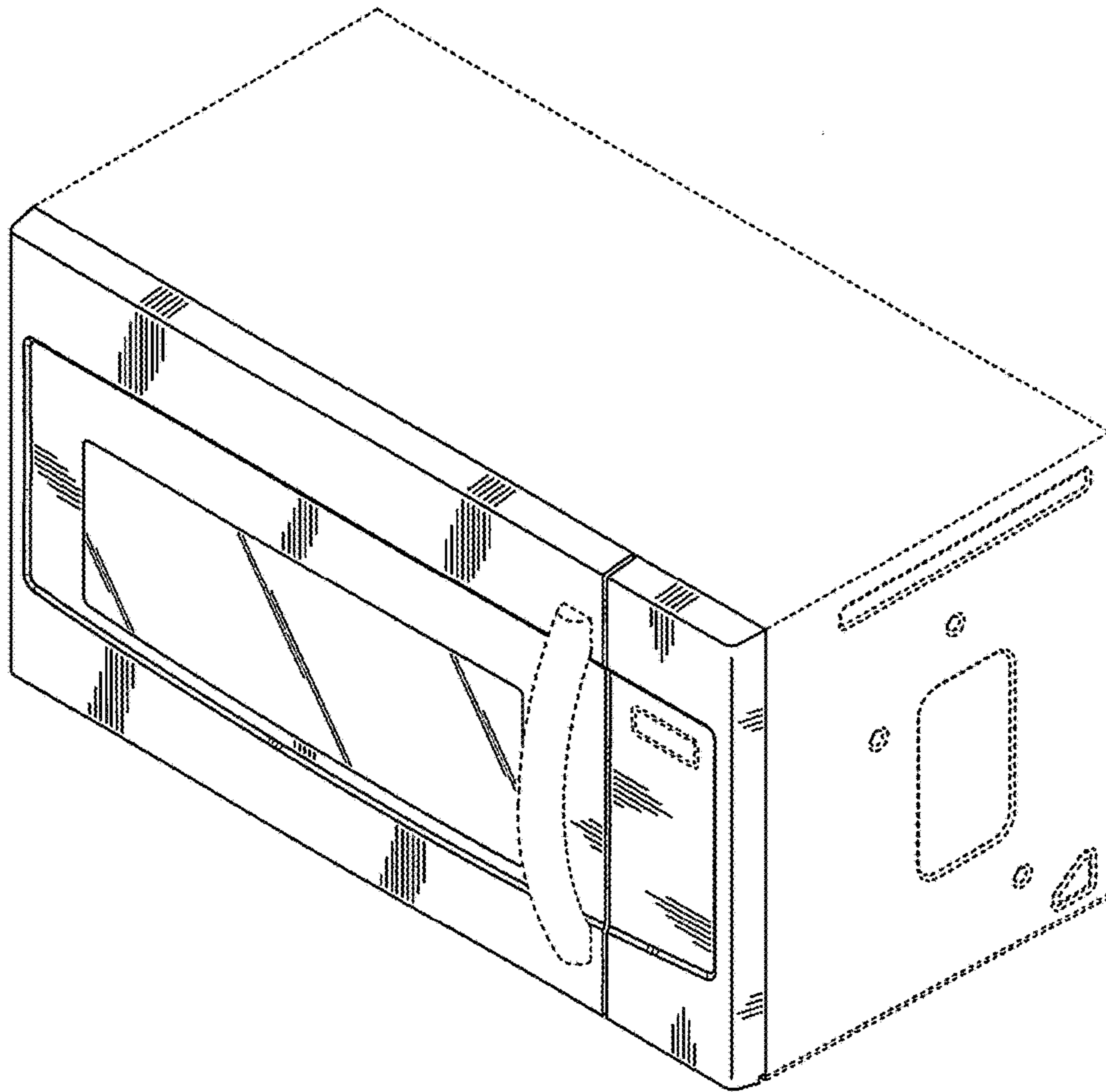
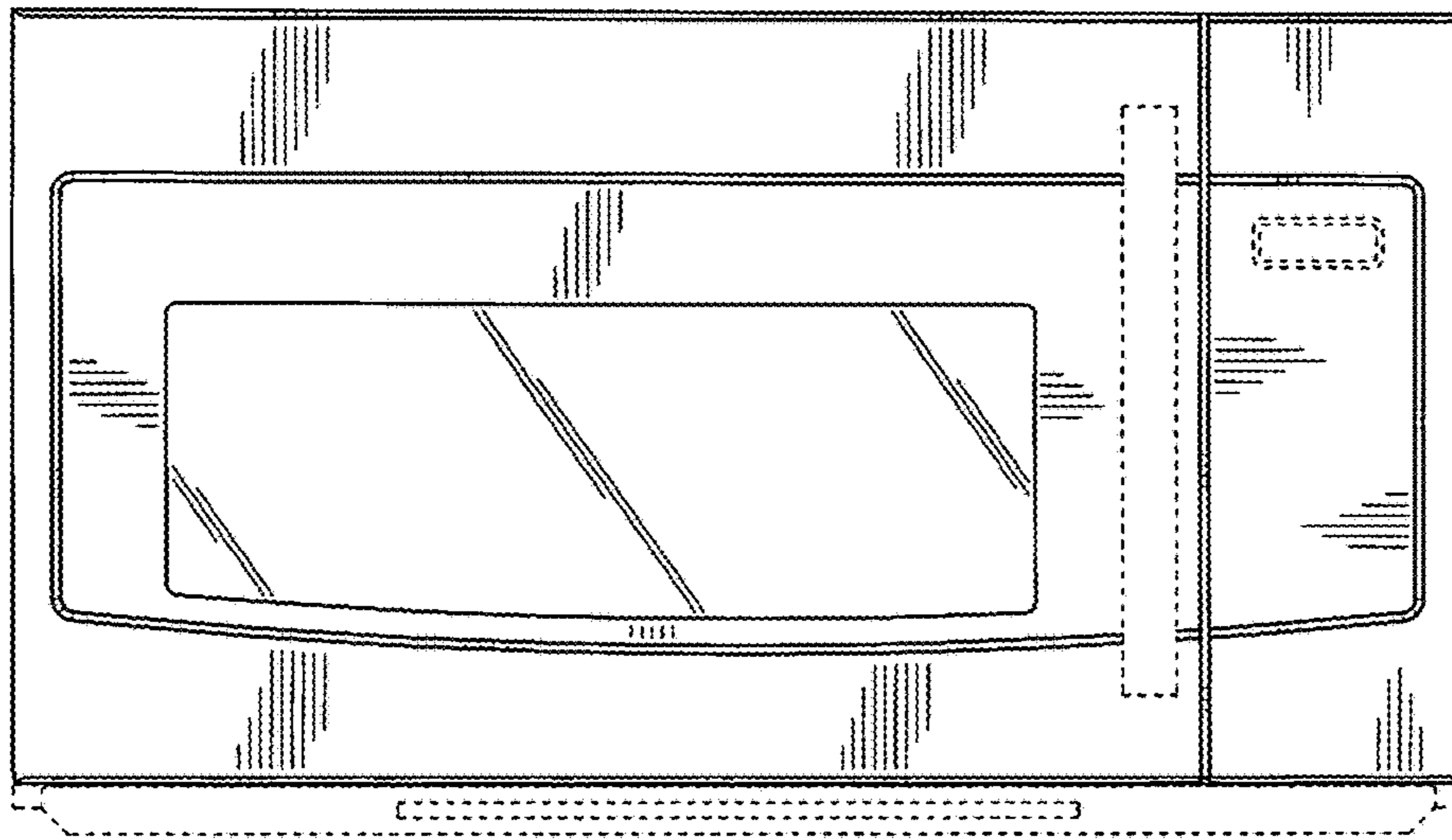


FIG. 9



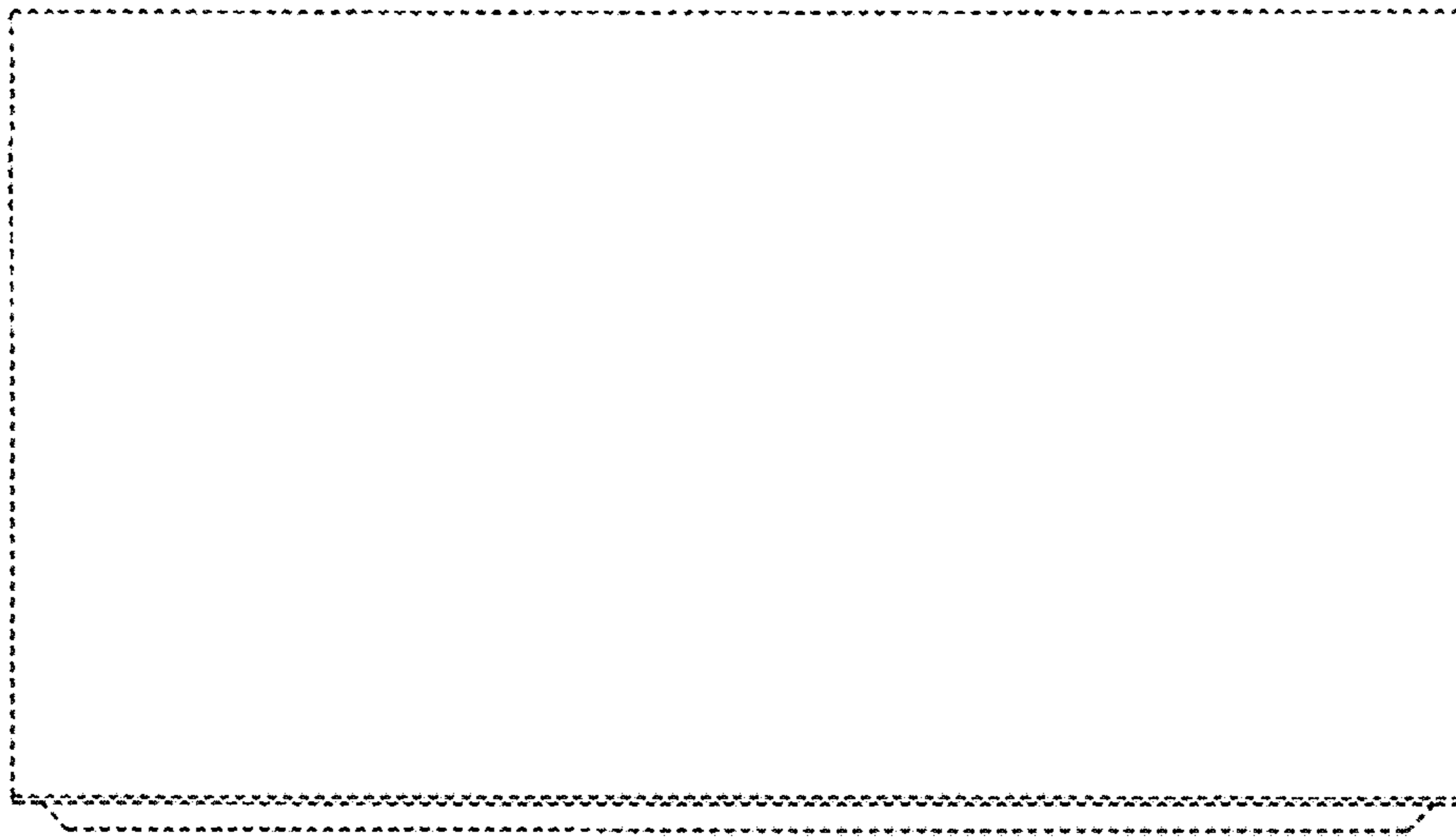
NEW

FIG. 10



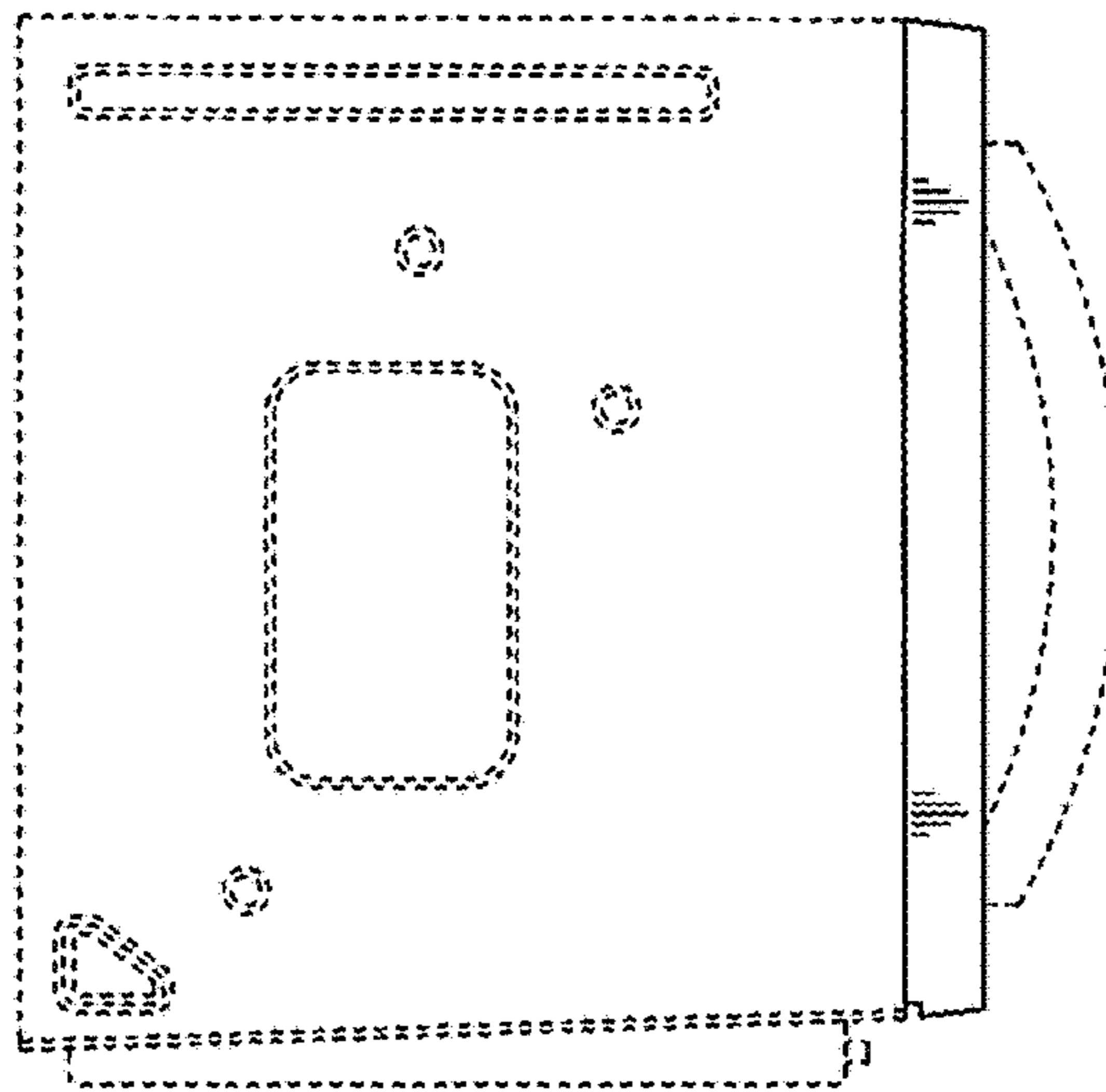
NEW

FIG. 11



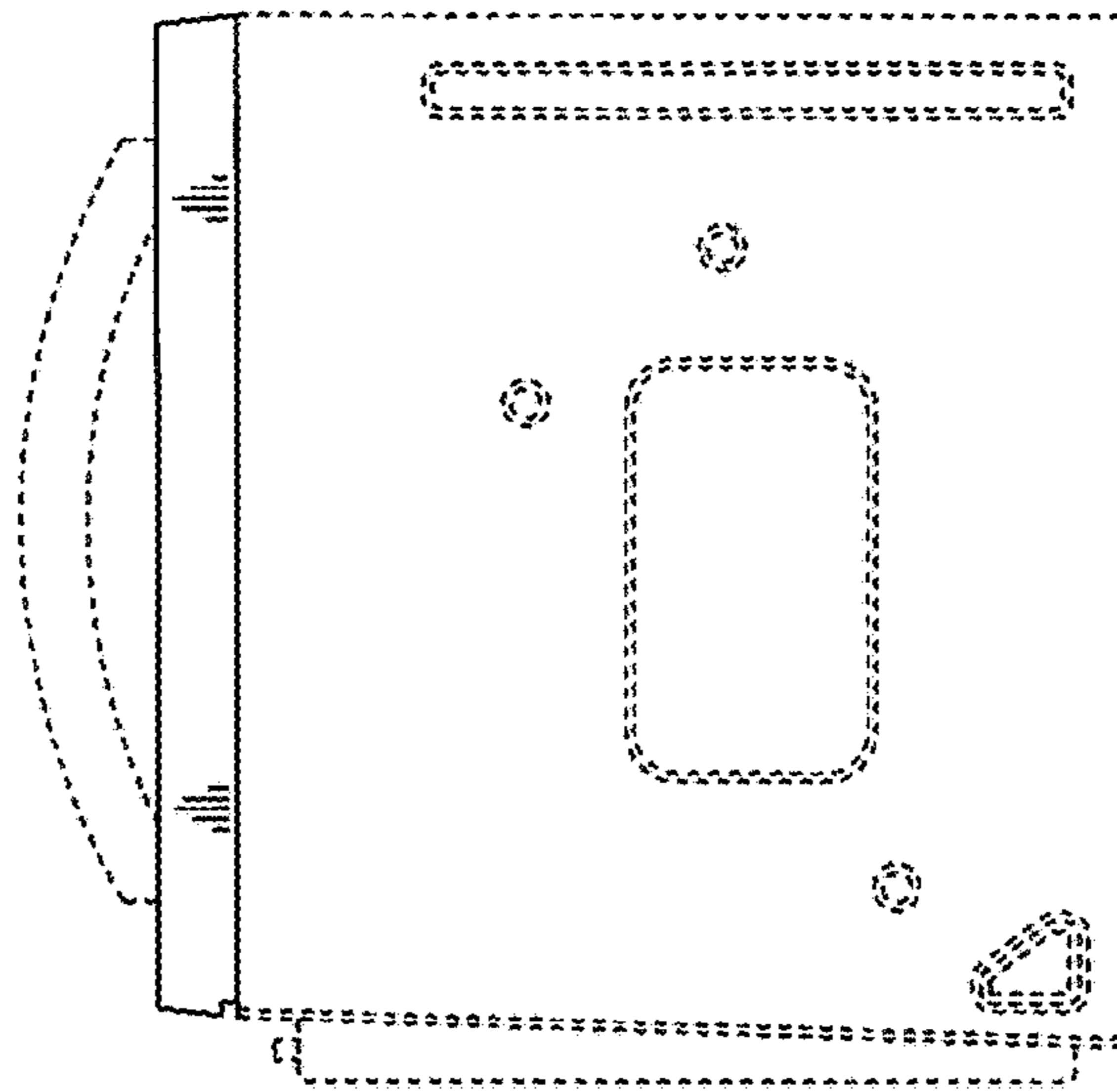
NEW

FIG. 12



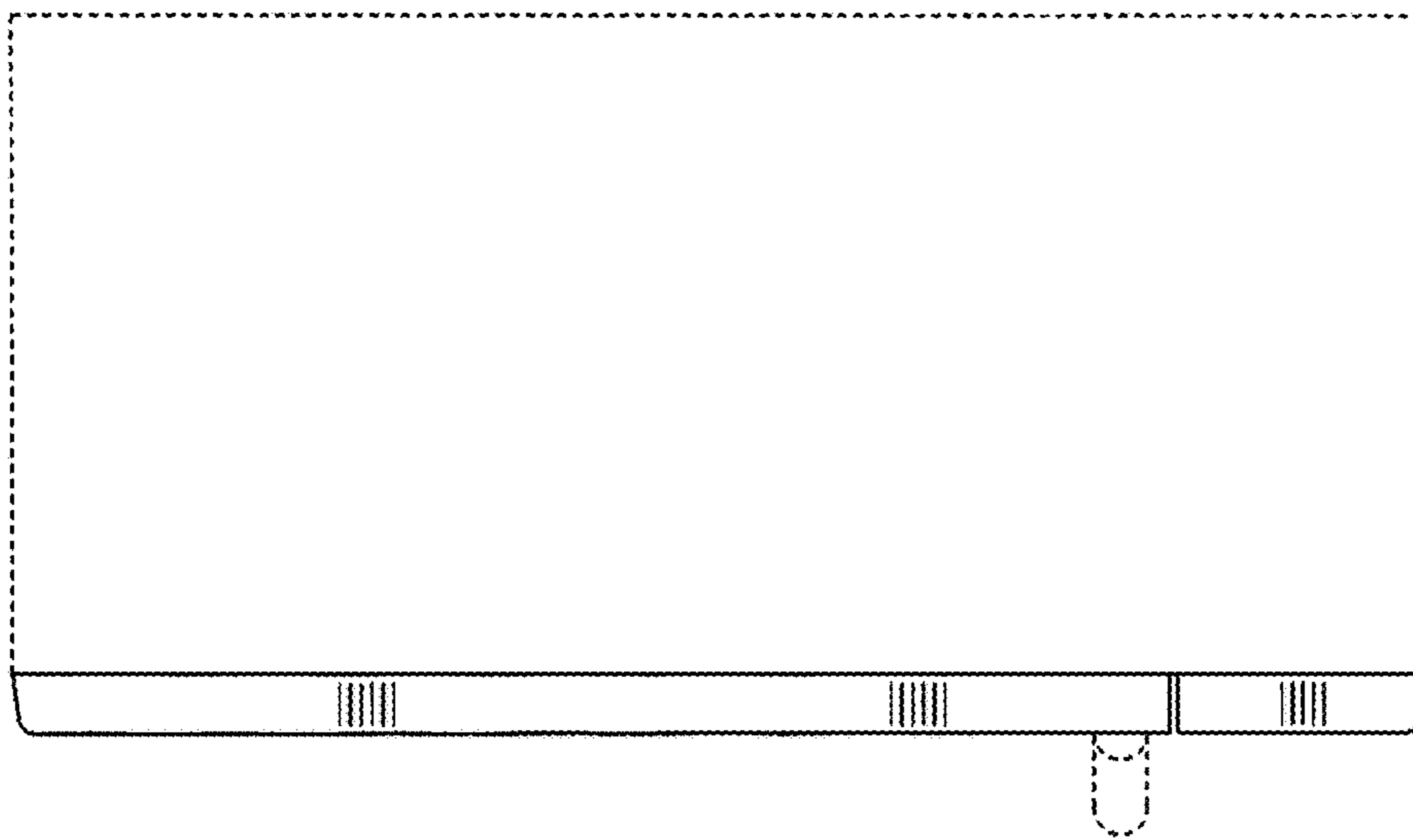
NEW

FIG. 13



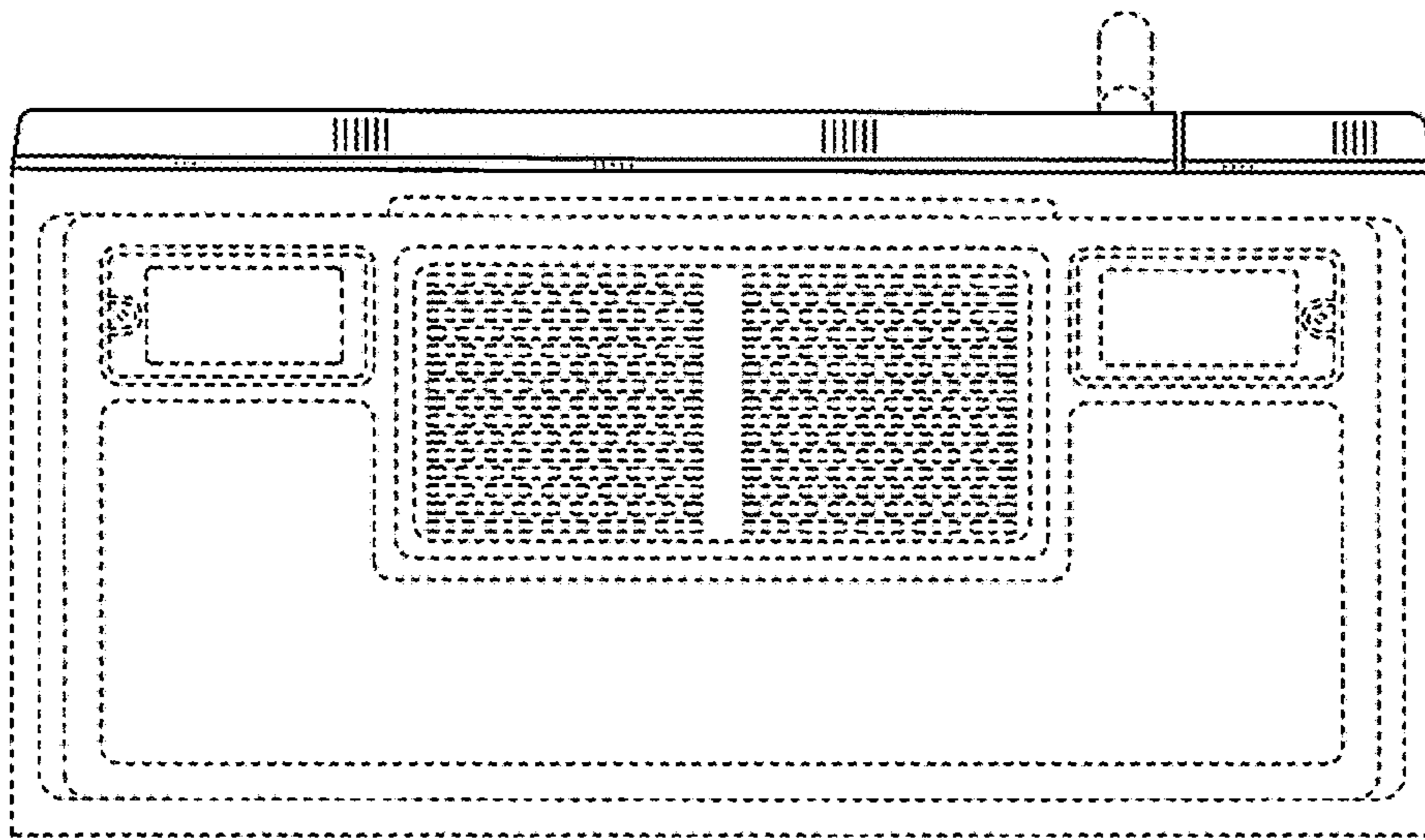
NEW

FIG. 14



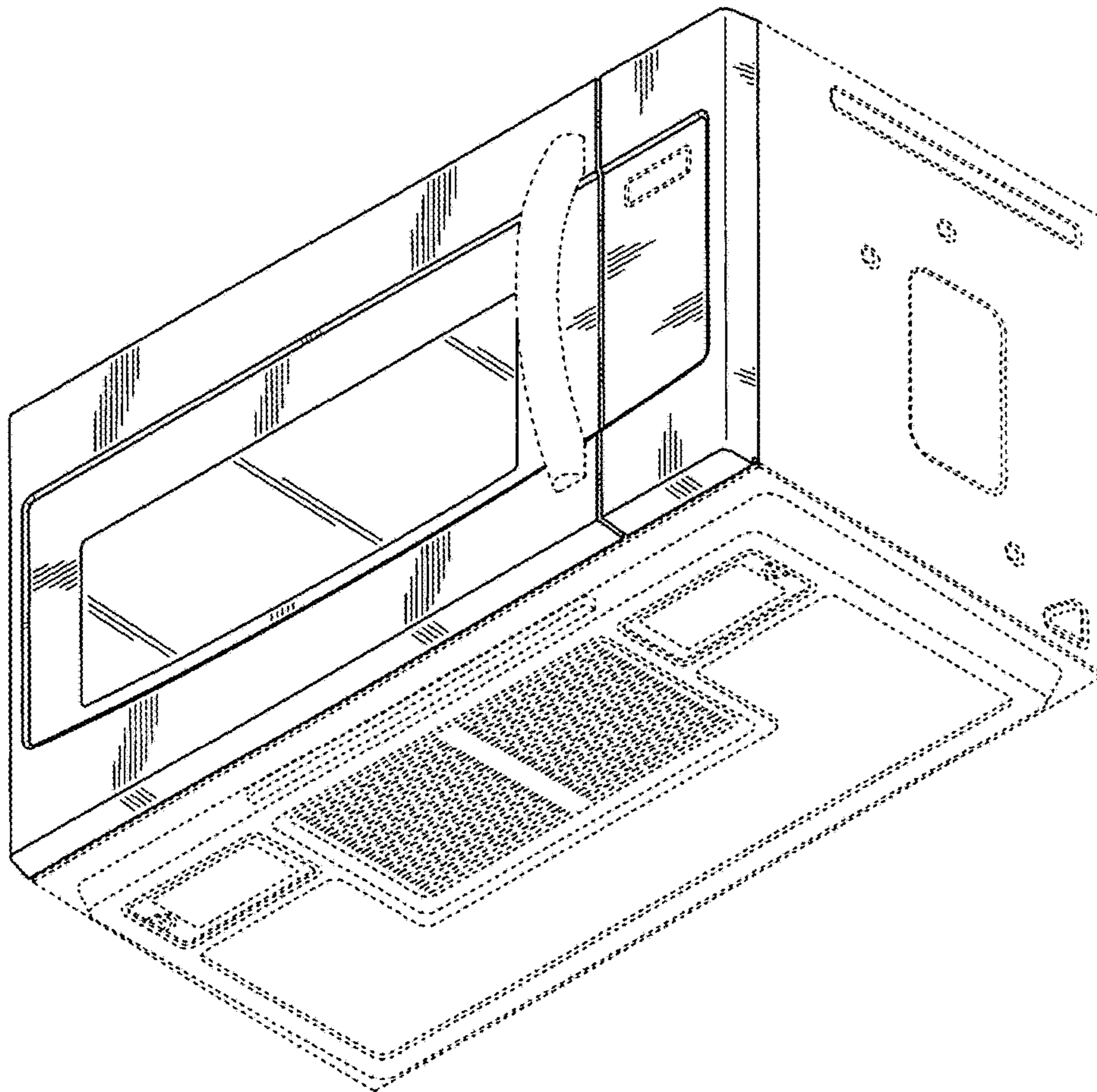
NEW

FIG. 15



NEW

FIG. 16



NEW