



US00RE47281E

(19) **United States**
(12) **Reissued Patent**
Williams

(10) **Patent Number: US RE47,281 E**
(45) **Date of Reissued Patent: Mar. 12, 2019**

(54) **V-SHAPED FOUR BICYCLE CARRIER**
(71) Applicant: **LET'S GO AERO, INC.**, Colorado Springs, CO (US)
(72) Inventor: **Marty Williams**, Colorado Springs, CO (US)
(21) Appl. No.: **29/649,450**

5,588,574 A * 12/1996 Schmidt B60R 9/06
224/518
5,950,892 A * 9/1999 Tsai B60R 9/06
224/497
D434,362 S * 11/2000 McCoy et al. D12/406
D436,074 S * 1/2001 McCoy et al. D12/407
8,367,919 B2 * 2/2013 Belitz et al. G10G 5/00
84/453
D684,917 S * 6/2013 Williams D12/408

(Continued)

(22) Filed: **May 30, 2018**

Primary Examiner — Philip S Hyder
(74) *Attorney, Agent, or Firm* — Lynette Wylie; Apex Juris, pllc.

Related U.S. Patent Documents

Reissue of:

(64) Patent No.: **Des. 722,289**
Issued: **Feb. 10, 2015**
Appl. No.: **29/454,713**
Filed: **May 13, 2013**

(57) **CLAIM**

The ornamental design for a V-shaped four bicycle carrier, as shown and described.

U.S. Applications:

(63) Continuation-in-part of application No. 11/697,294, filed on Apr. 5, 2007, now Pat. No. 8,899,456.

(51) **LOC (11) Cl.** **12-16**

(52) **U.S. Cl.**
USPC **D12/408**

(58) **Field of Classification Search**
USPC D12/406, 407, 408, 412, 414
CPC .. B60R 9/10; B60R 9/04; B60R 11/00; B60R 9/045; B60R 9/048

See application file for complete search history.

DESCRIPTION

FIG. 1 is an elevated angled view of the V-shaped four bicycle carrier.

FIG. 2 is an exploded view of the V-shaped four bicycle carrier components.

FIG. 3 is a front view of the V-shaped four bicycle carrier with a bicycle attached thereto.

FIG. 4 is a back side view of the V-shaped four bicycle carrier.

FIG. 5 is a front side view of the V-shaped four bicycle carrier.

FIG. 6 is a side view of the V-shaped four bicycle carrier.

FIG. 7 is a top view of the V-shaped four bicycle carrier; and, FIG. 8 is a bottom side view of the V-shaped four bicycle carrier.

The broken lines illustrate unclaimed environmental structure.

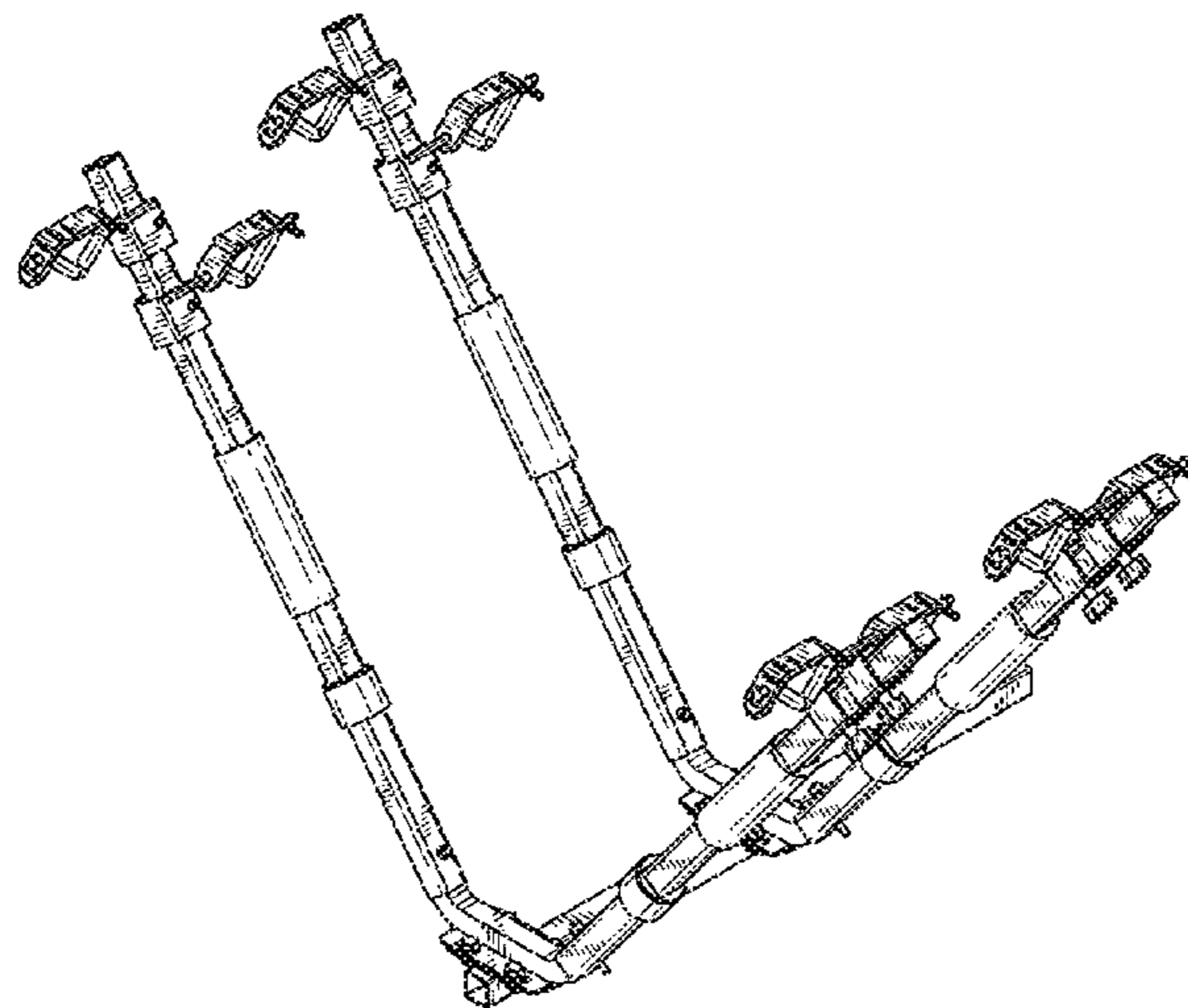
(56) **References Cited**

U.S. PATENT DOCUMENTS

1,440,471 A * 1/1923 Kohler G10G 5/00
248/434
5,320,227 A * 6/1994 Minoura B25H 1/0014
211/22
5,375,497 A * 12/1994 Pirchio et al. G10G 5/00
248/443
5,388,736 A * 2/1995 Schmidt B60R 9/06
224/520

1 Claim, 8 Drawing Sheets

Matter enclosed in heavy brackets [] appears in the original patent but forms no part of this reissue; matter printed in italics indicates the additions made by reissue.



(56)

References Cited

U.S. PATENT DOCUMENTS

2004/0256430 A1* 12/2004 Wang B60R 9/06
224/520
2005/0205629 A1* 9/2005 Wang B60R 9/06
224/519
2007/0012634 A1* 1/2007 Huang B60R 9/10
211/17
2008/0073395 A1* 3/2008 Reeves et al. B60R 9/10
224/324
2008/0135697 A1* 6/2008 Workman et al. F16M 11/16
248/177.1
2011/0049208 A1* 3/2011 Wang B60R 9/06
224/520
2011/0240700 A1* 10/2011 Williams B60R 9/10
224/518
2012/0000952 A1* 1/2012 Dreger et al. B60R 9/10
224/533
2014/0151421 A1* 6/2014 Loken B60R 9/10
224/519

* cited by examiner

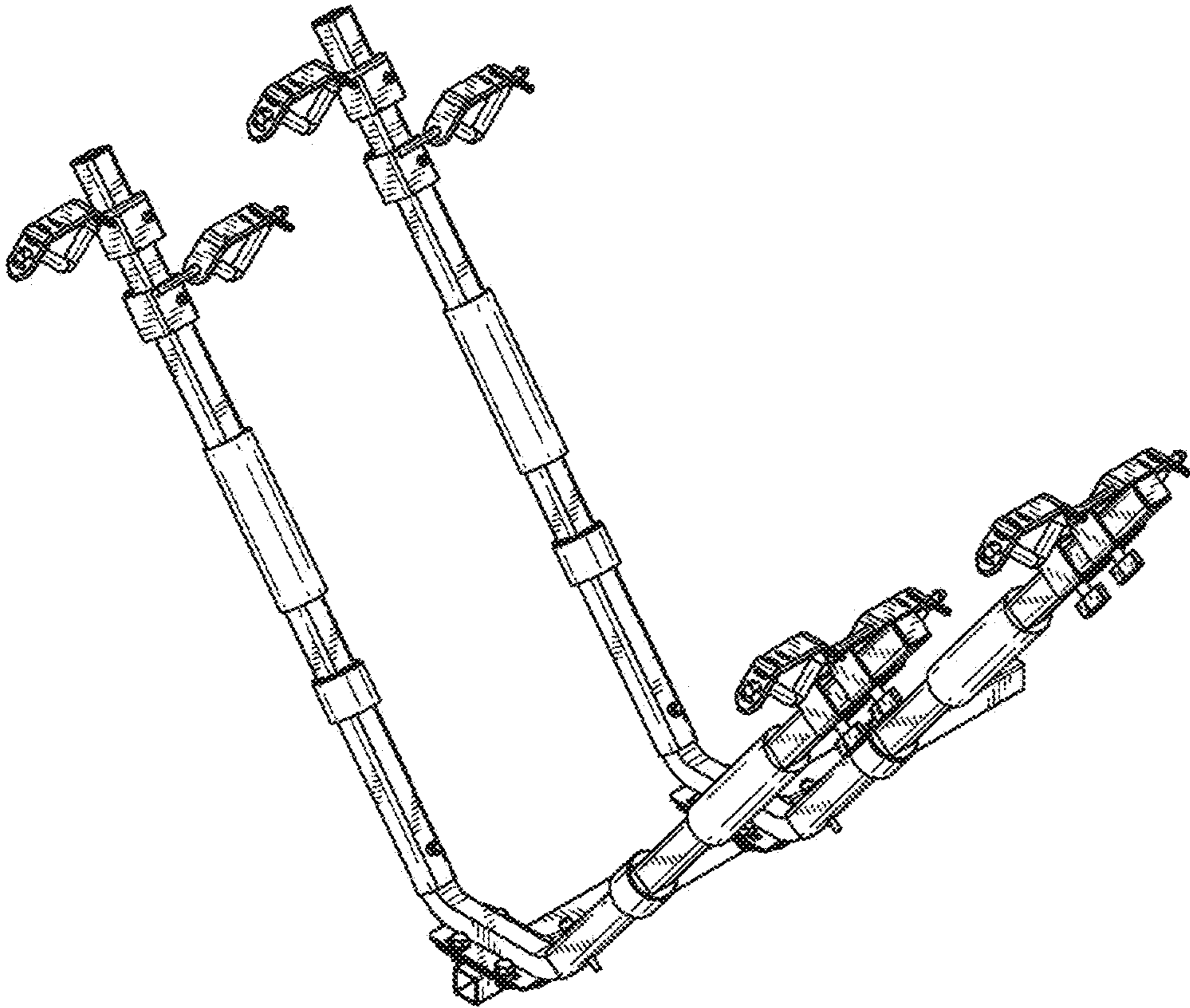


FIG. 1

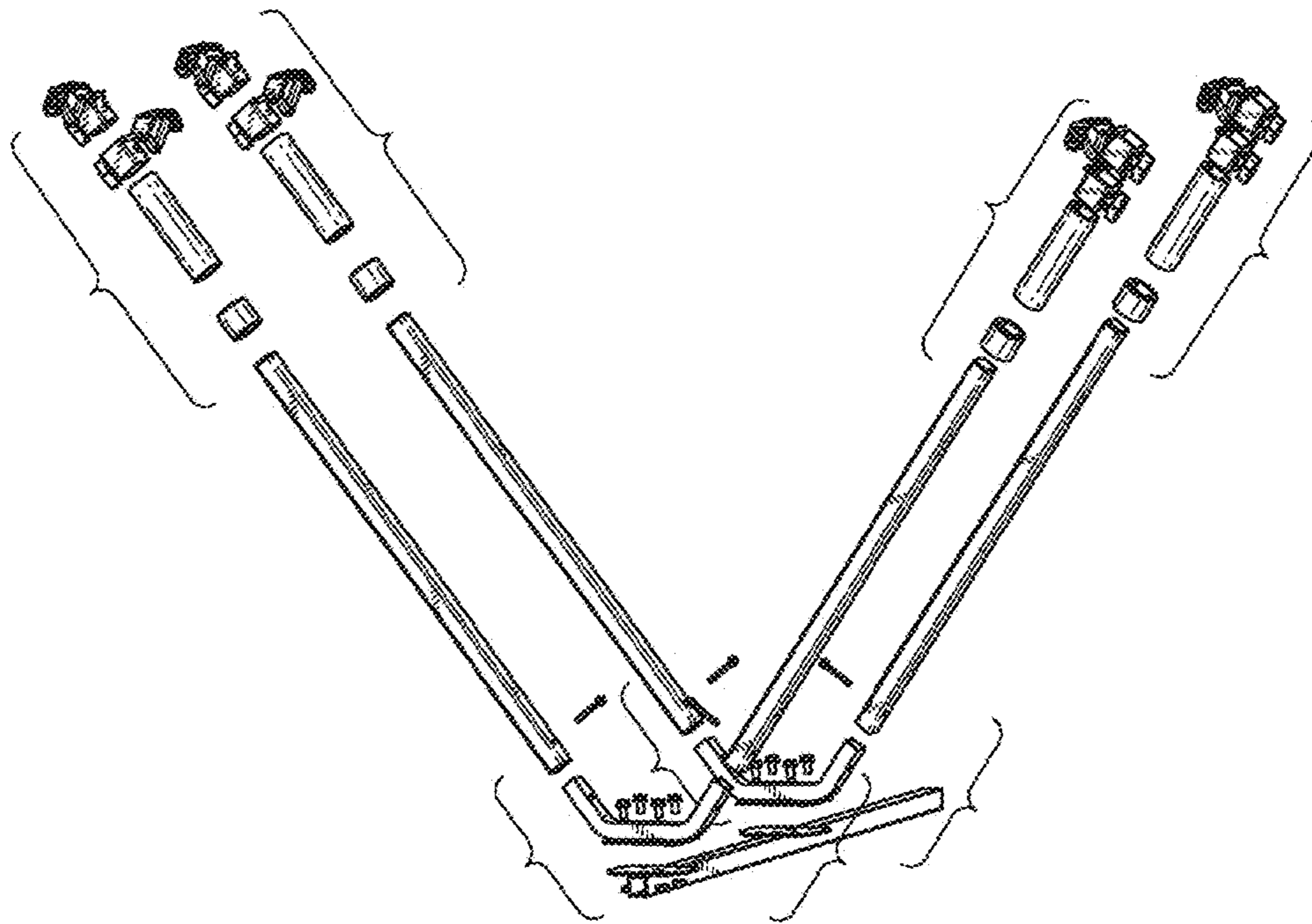


FIG. 2

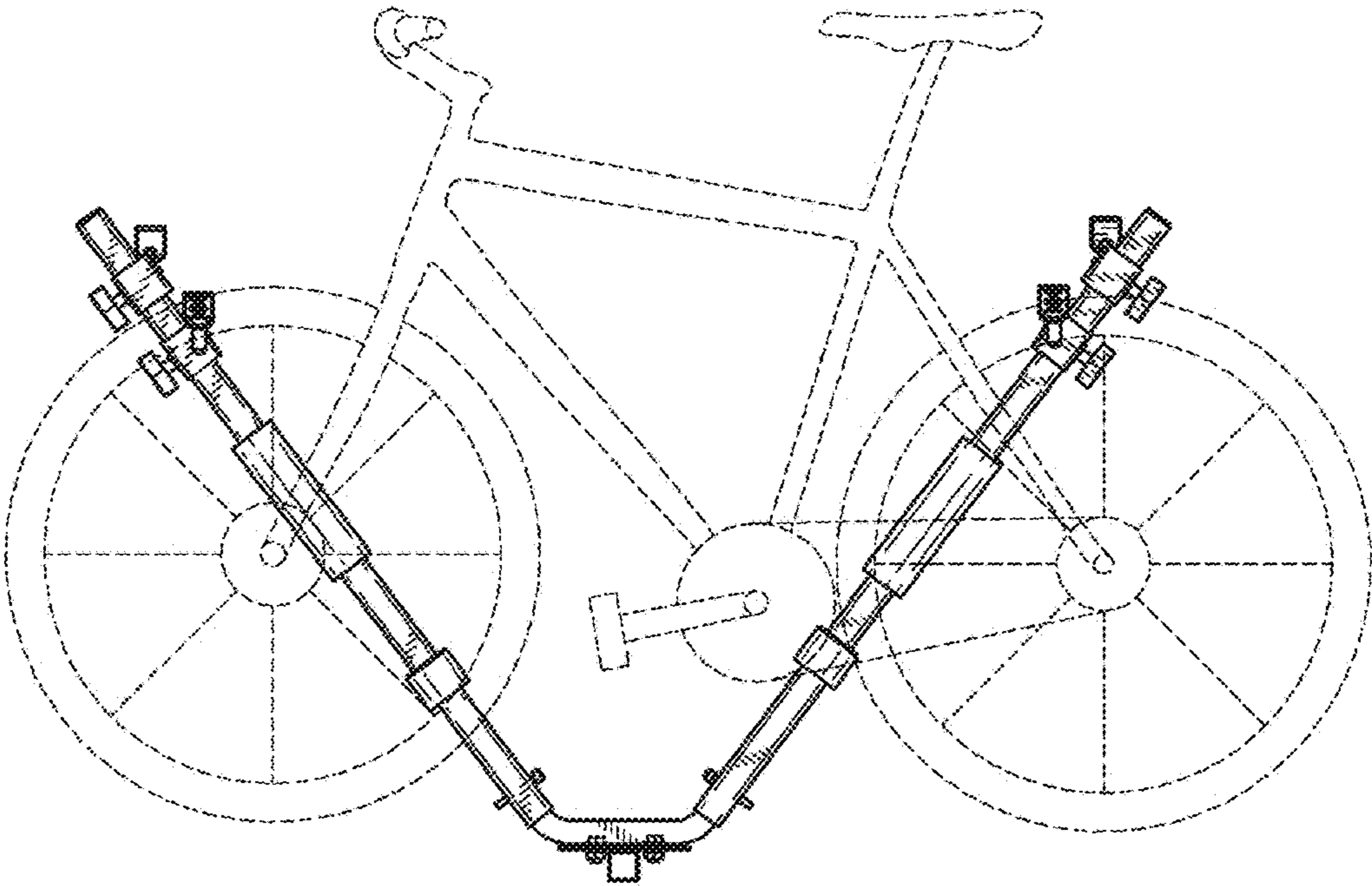


FIG. 3

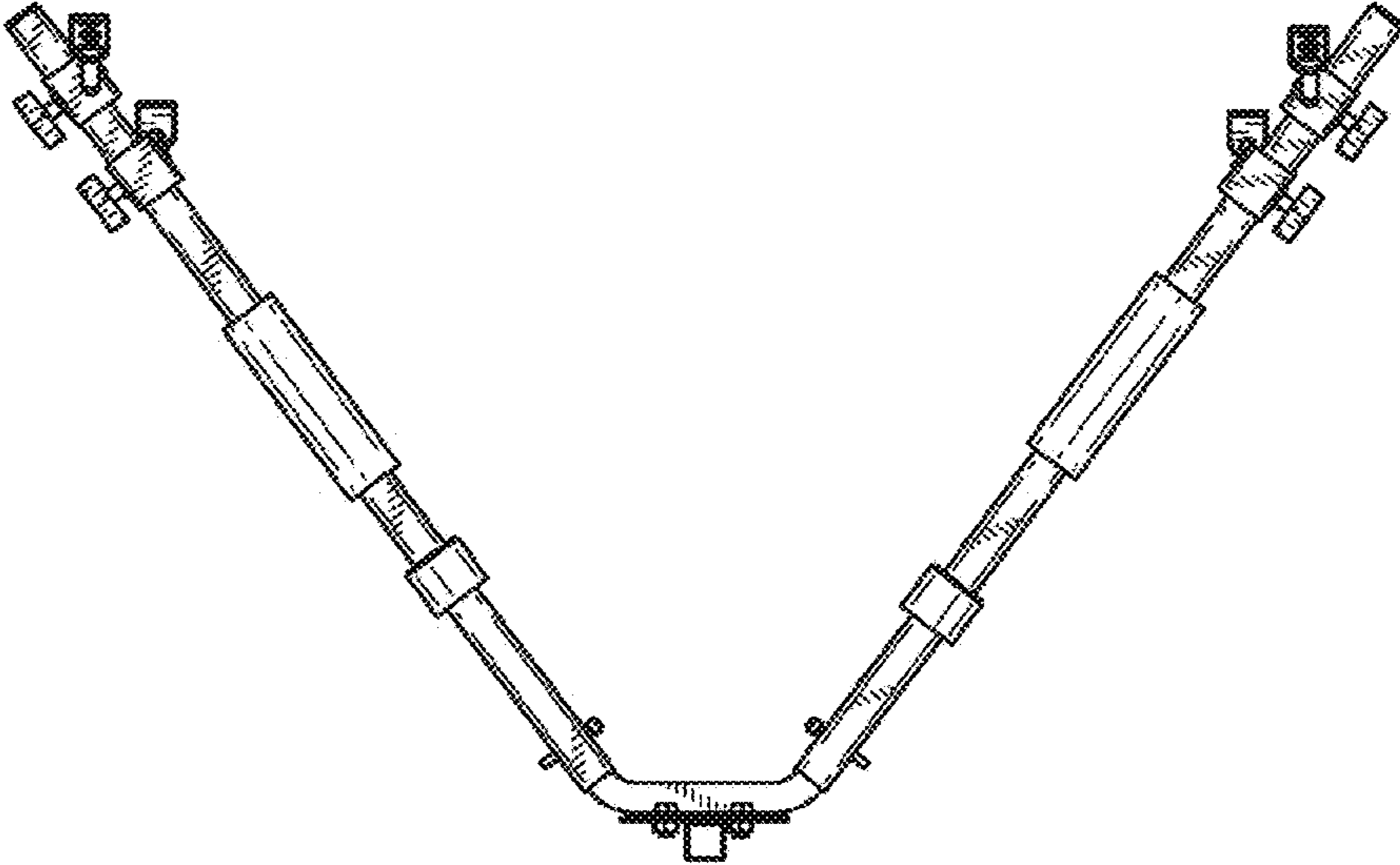


FIG. 4

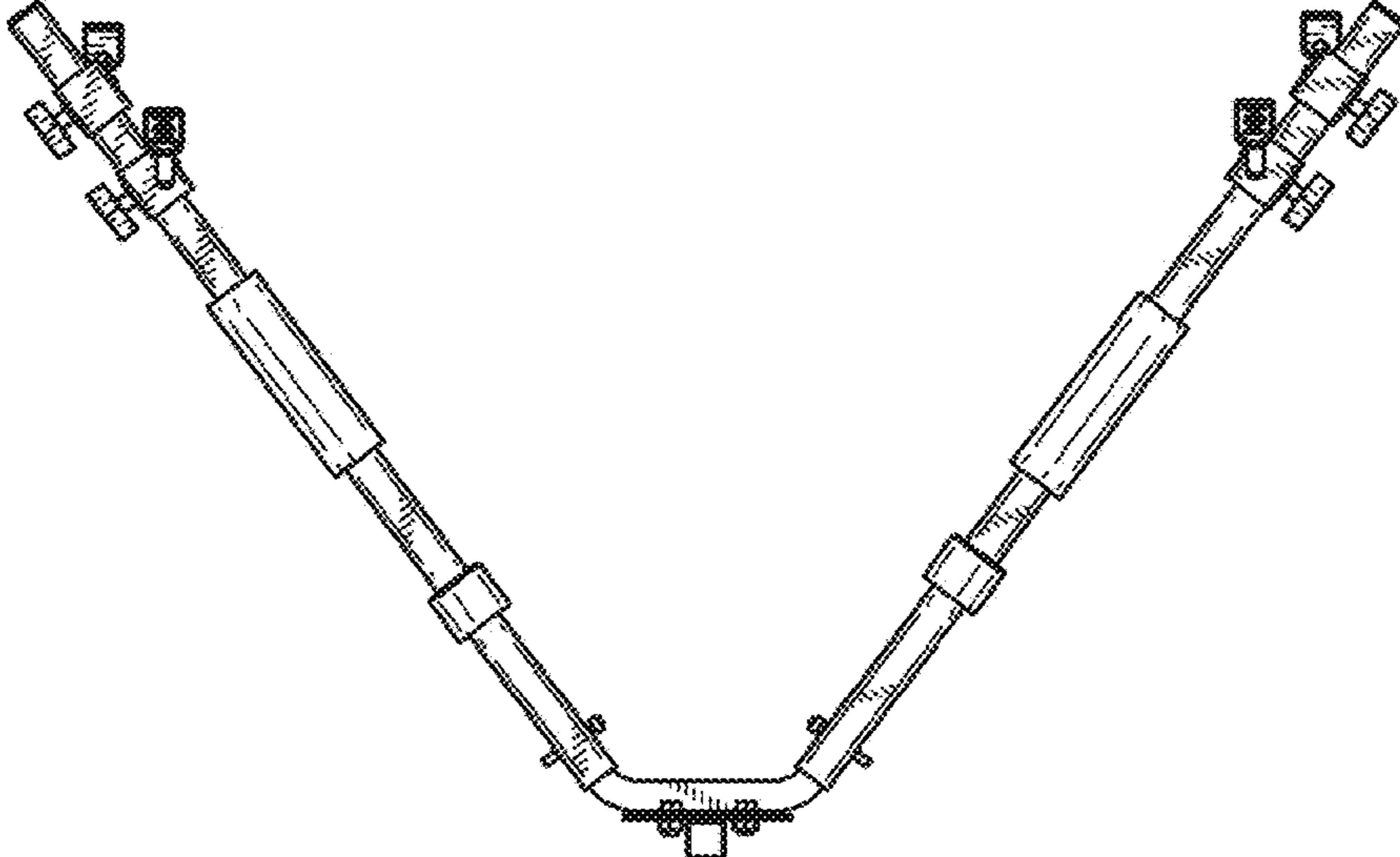


FIG. 5

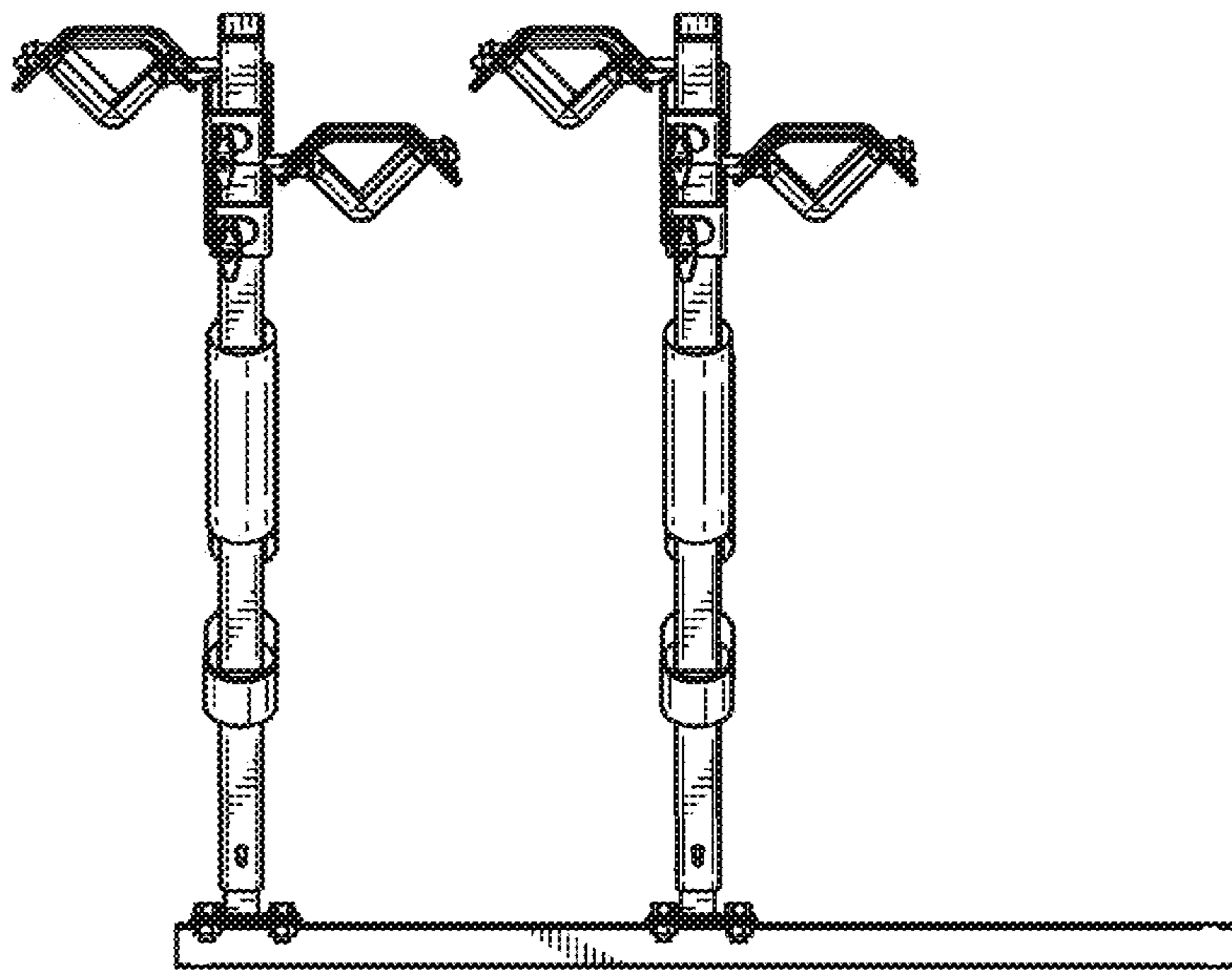


FIG. 6

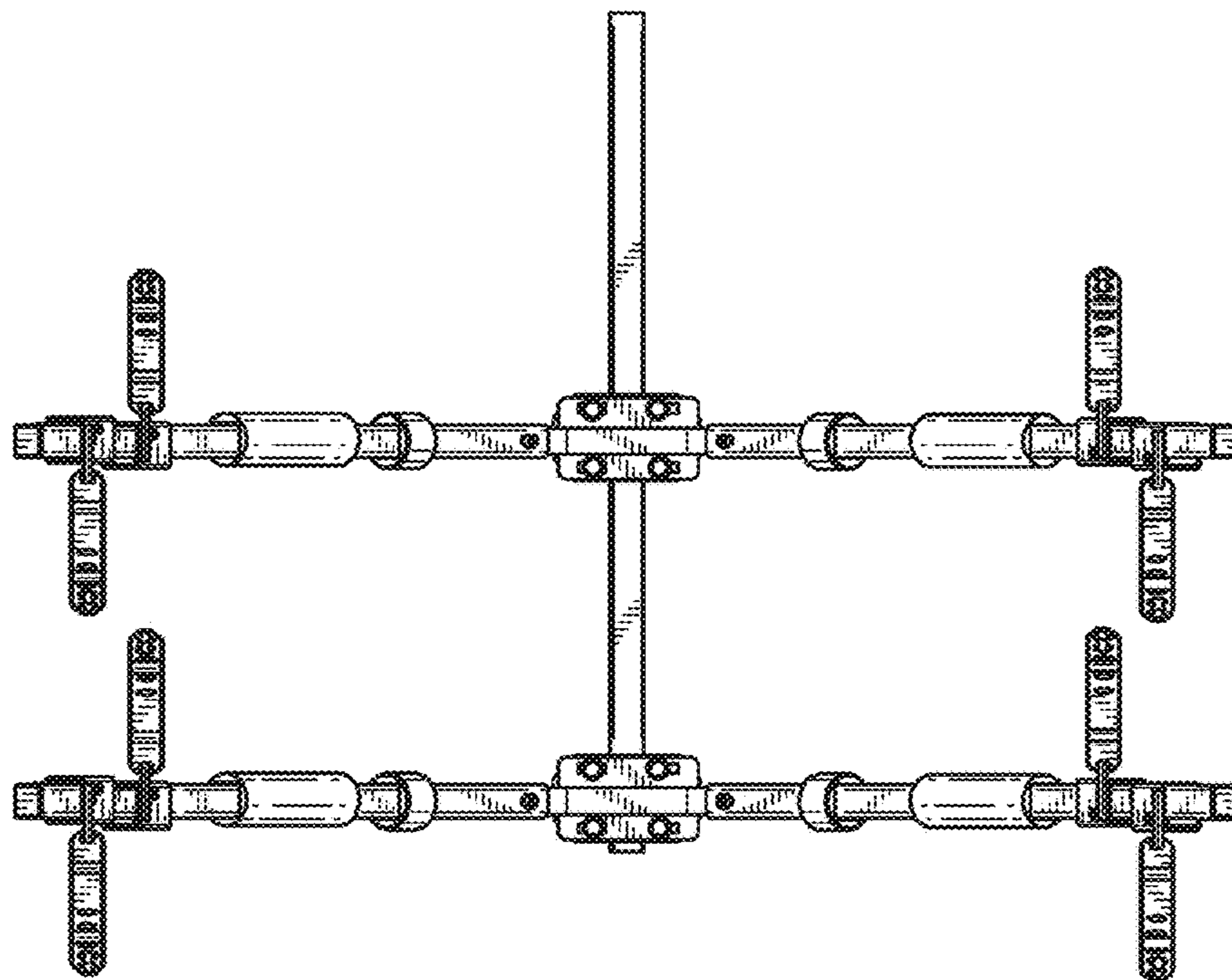


FIG. 7

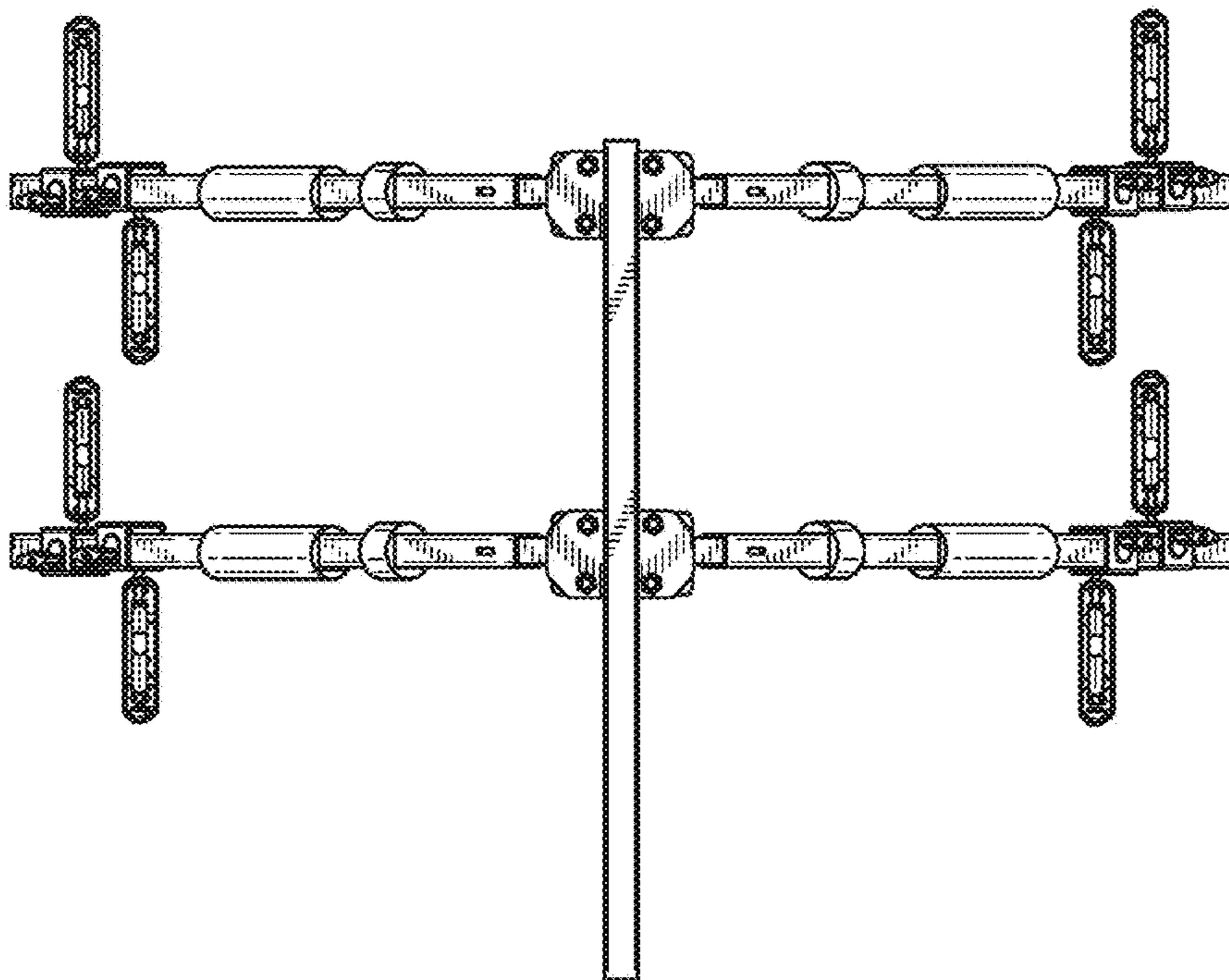


FIG. 8