



US00RE47280E

(19) **United States**  
(12) **Reissued Patent**  
**Li et al.**

(10) **Patent Number:** **US RE47,280 E**  
(45) **Date of Reissued Patent:** **Mar. 12, 2019**

(54) **STAPLE GUN**  
(71) Applicant: **Isaberg Rapid AB**, Hestra (SE)  
(72) Inventors: **Jiajia Li**, Shanghai (CN); **Yunlong Jiang**, Weifang (CN)  
(73) Assignee: **Isaberg Rapid AB**, Hestra (SE)  
(21) Appl. No.: **29/610,348**  
(22) Filed: **Jul. 11, 2017**

D568,129 S \* 5/2008 Arns ..... D8/49  
D568,130 S \* 5/2008 Arns ..... D8/49  
D604,576 S \* 11/2009 Betsalel ..... D8/49  
D620,330 S \* 7/2010 Krumpe ..... D8/49  
D620,331 S \* 7/2010 Krumpe ..... D8/49  
D630,073 S \* 1/2011 Krumpe ..... D8/49  
D655,587 S \* 3/2012 Walters ..... D8/49  
D655,588 S \* 3/2012 Pennington ..... D8/49  
D667,712 S \* 9/2012 Walters ..... D8/49  
D668,125 S \* 10/2012 Pennington ..... D8/49  
D689,753 S \* 9/2013 Yoo ..... D8/49  
D723,894 S \* 3/2015 Genord ..... D8/49  
D727,125 S \* 4/2015 Genord ..... D8/49

\* cited by examiner

**Related U.S. Patent Documents**

Reissue of:  
(64) Patent No.: **Des. 768,449**  
Issued: **Oct. 11, 2016**  
Appl. No.: **29/494,093**  
Filed: **Jun. 17, 2014**

*Primary Examiner* — Philip S Hyder  
(74) *Attorney, Agent, or Firm* — Shapiro, Gabor and Rosenberger, PLLC

(30) **Foreign Application Priority Data**

Dec. 17, 2013 (EM) ..... 002371187-0001

(51) **LOC (11) Cl.** ..... **19-02**  
(52) **U.S. Cl.**  
USPC ..... **D8/49**

(58) **Field of Classification Search**  
USPC ..... D8/48, 49, 50, 61, 68, 69, 70; D19/65,  
D19/69, 73; D21/532; D24/145  
CPC ..... B25C 5/0242; B25C 5/0285; B25C 5/11;  
B27F 5/17; B26F 1/36  
See application file for complete search history.

(56) **References Cited**

**U.S. PATENT DOCUMENTS**

D517,385 S \* 3/2006 Arns ..... D8/49  
D518,695 S \* 4/2006 Hu ..... D8/49  
D531,469 S \* 11/2006 Osberg ..... D8/49  
D553,459 S \* 10/2007 Shor ..... D8/49  
D553,460 S \* 10/2007 Shor ..... D8/49

(57) **CLAIM**

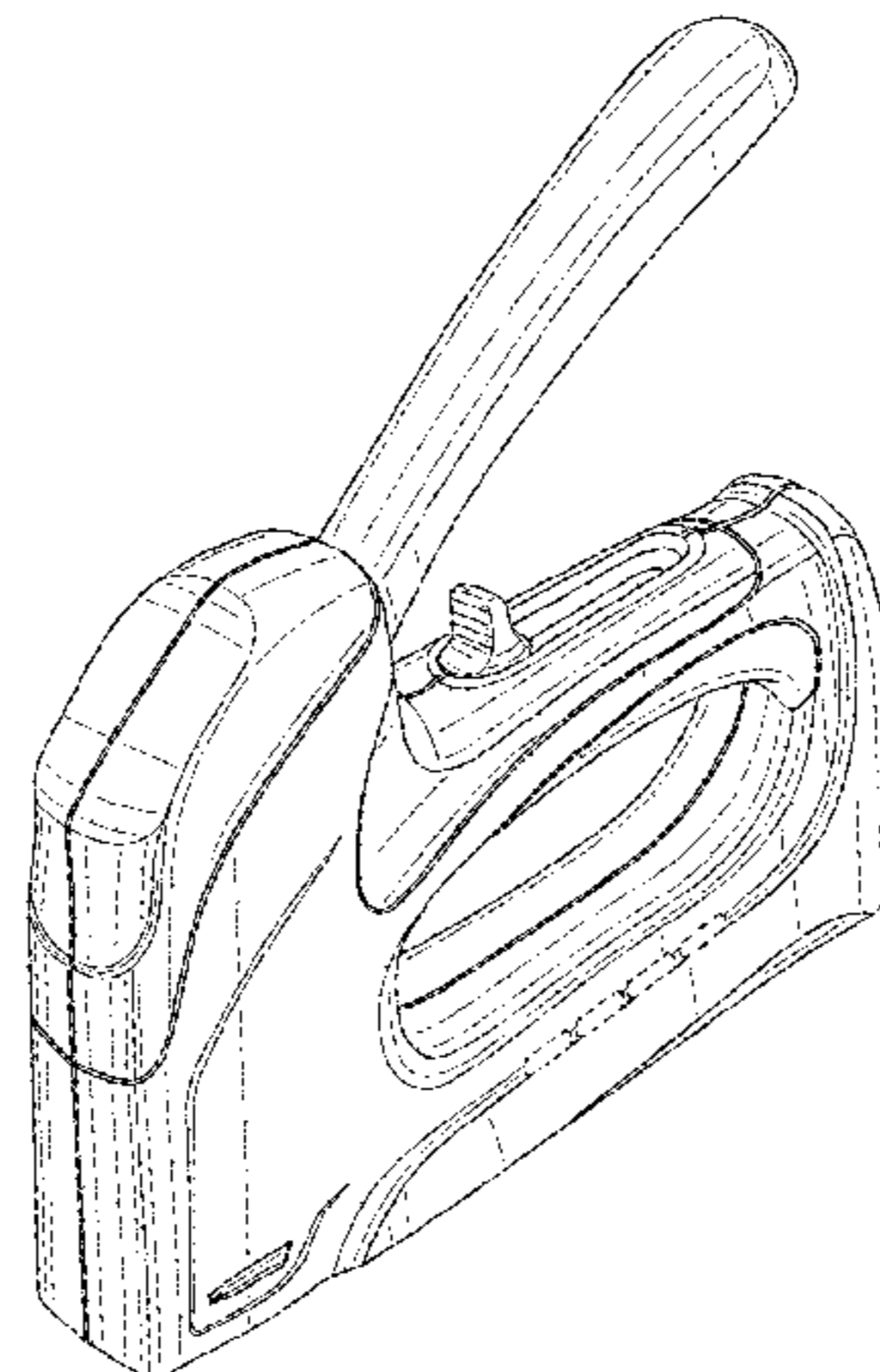
The ornamental design for a staple gun, as shown and described.

**DESCRIPTION**

FIG. 1 is a front, left-side perspective view of a staple gun showing the new design;  
FIG. 2 is a right side view thereof;  
FIG. 3 is a rear view thereof;  
FIG. 4 is a left side view thereof;  
FIG. 5 is a front view thereof;  
FIG. 6 is a top view thereof; and,  
FIG. 7 is a bottom view thereof.  
The broken line showing in FIGS. 1, 2, 3, 4 and 7 is for the purpose of illustration and forms no part of the claimed design.

**1 Claim, 7 Drawing Sheets**

**Matter enclosed in heavy brackets [ ] appears in the original patent but forms no part of this reissue; matter printed in italics indicates the additions made by reissue.**



AMENDED

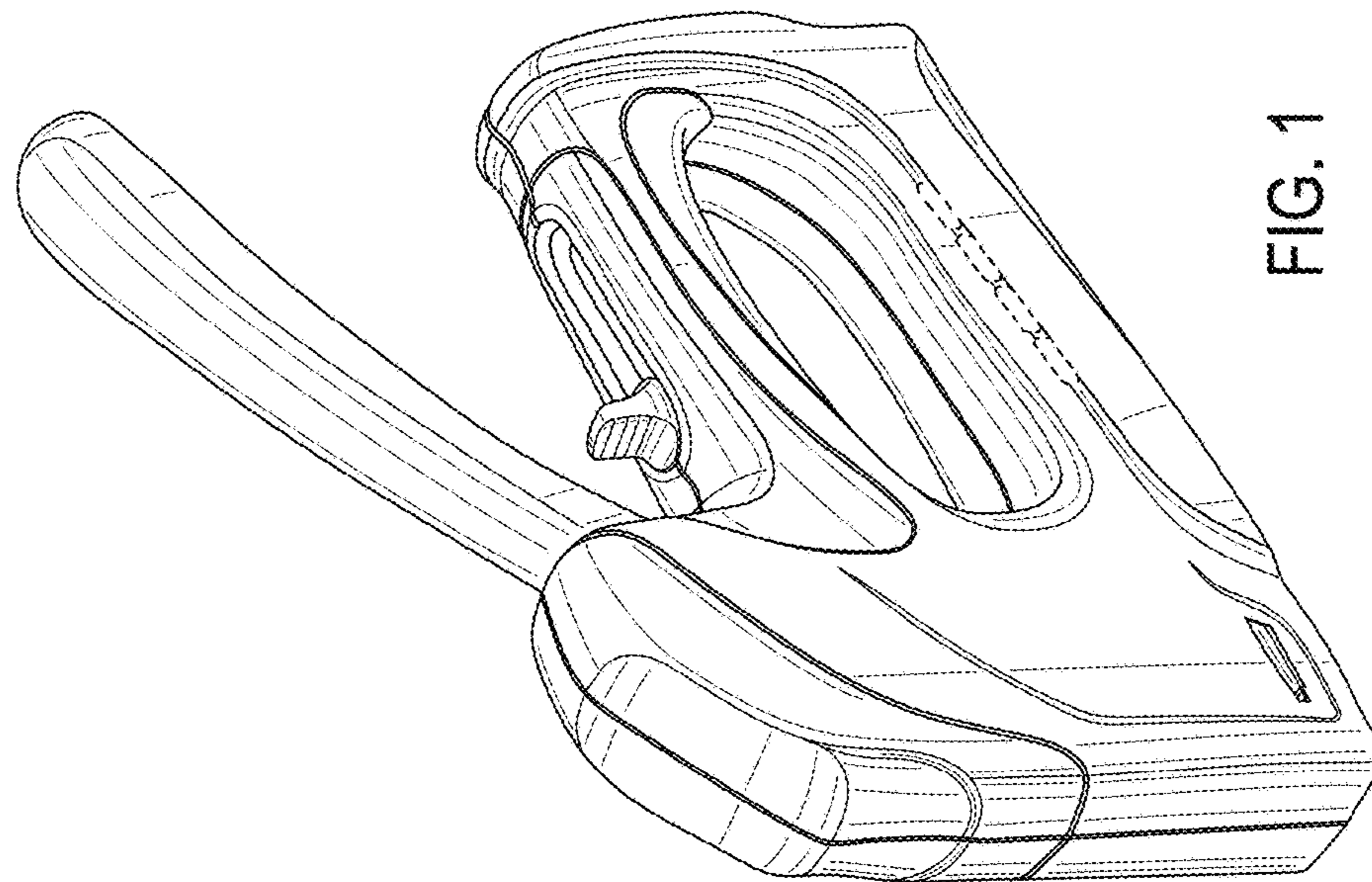


FIG. 1

AMENDED

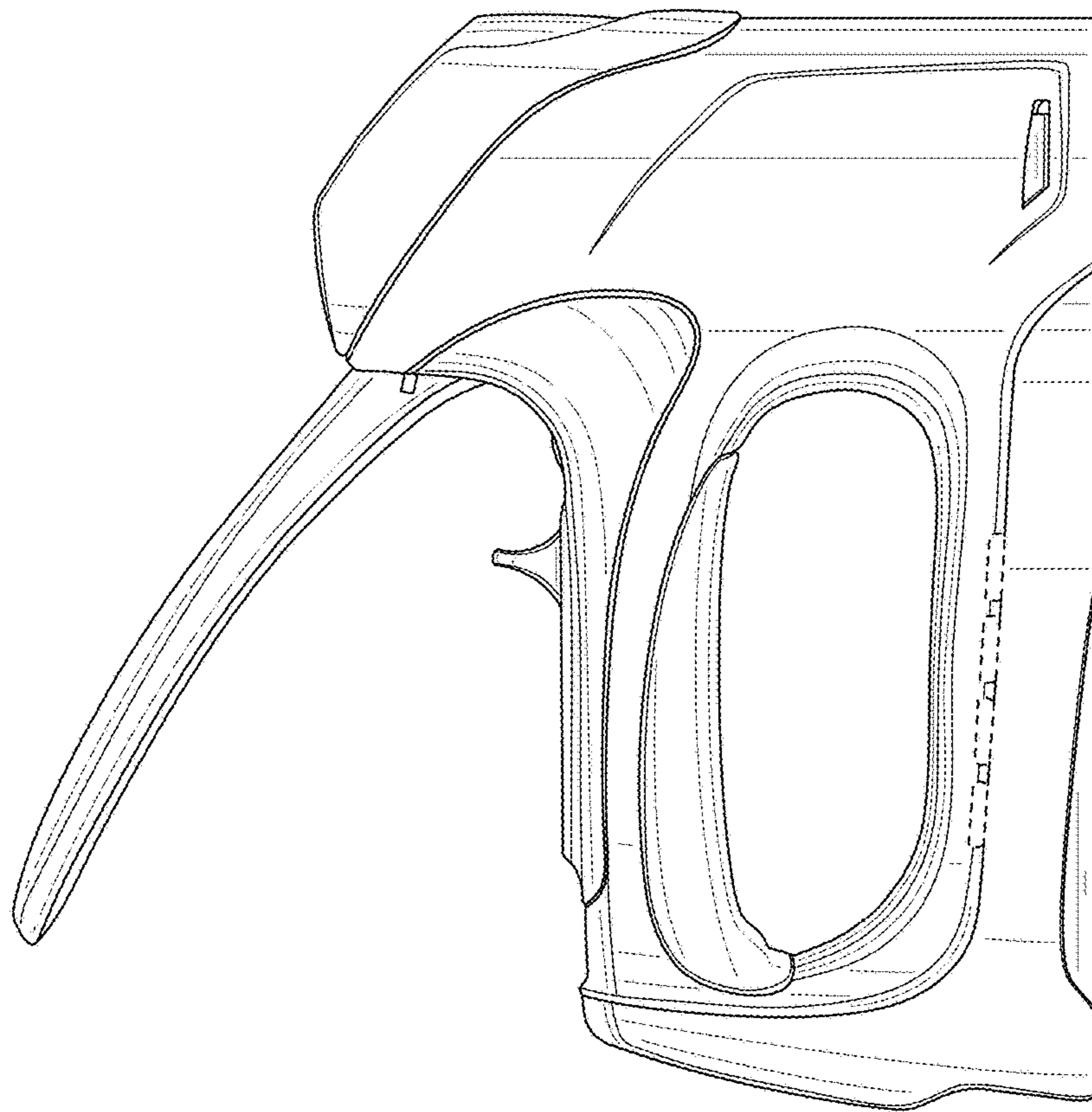


FIG. 2  
AMENDED

Amended

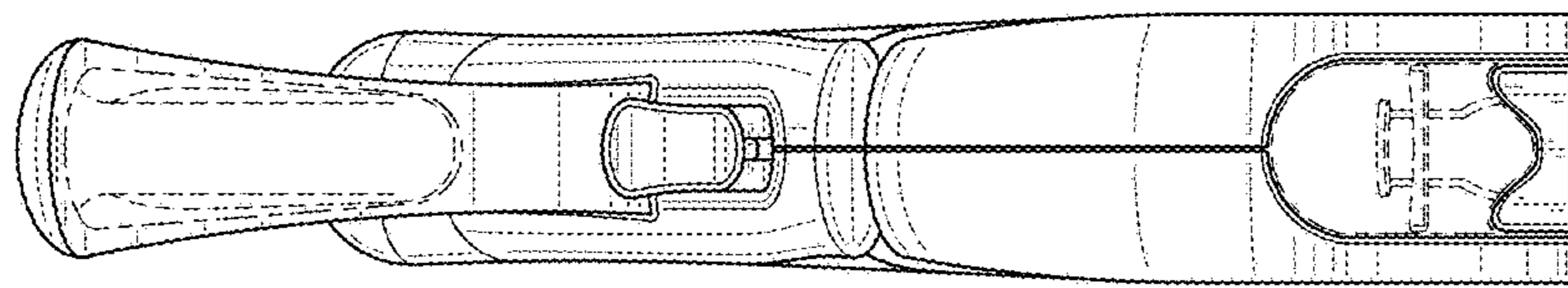


FIG. 3

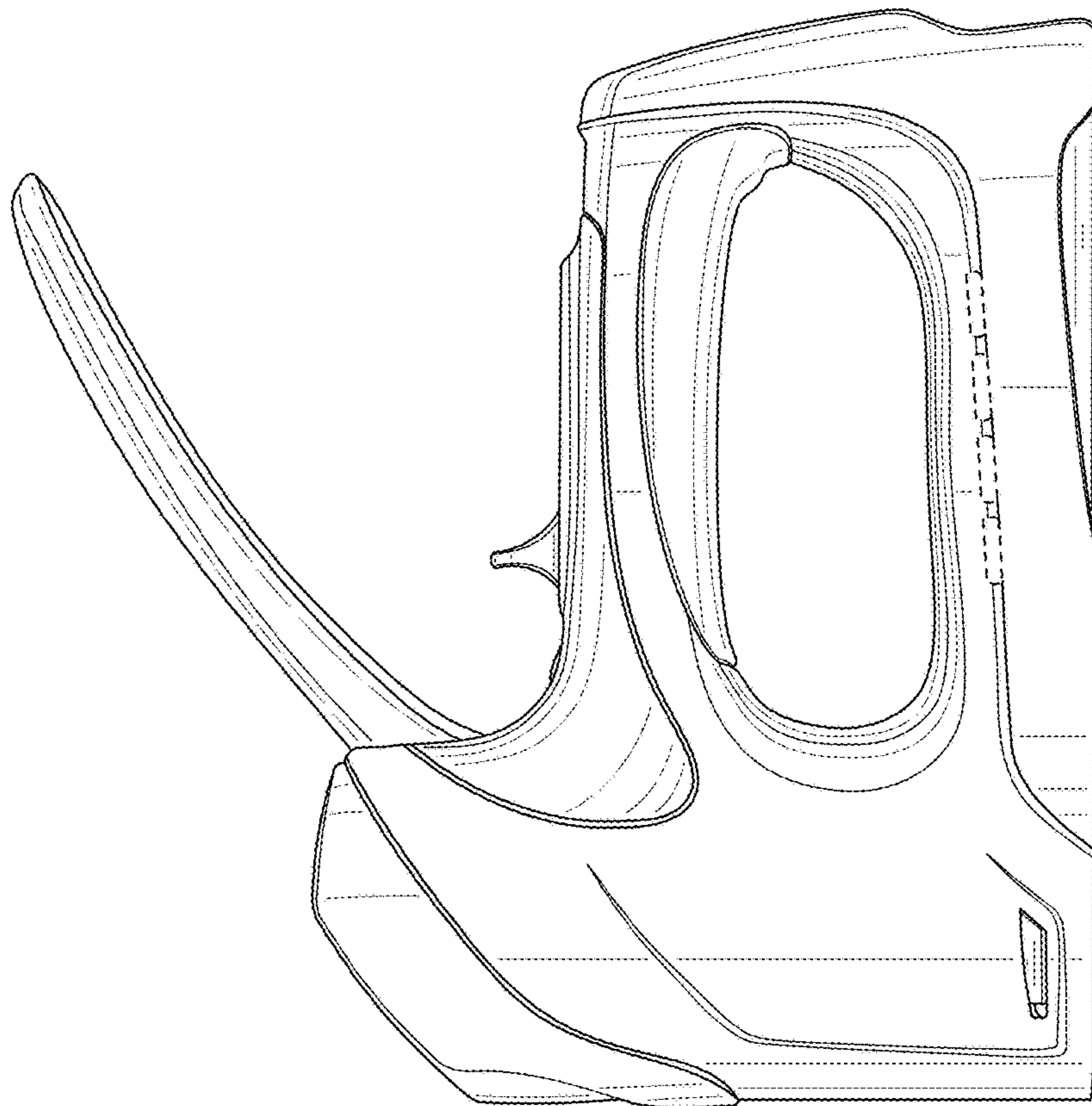


FIG. 4  
AMENDED

Amended

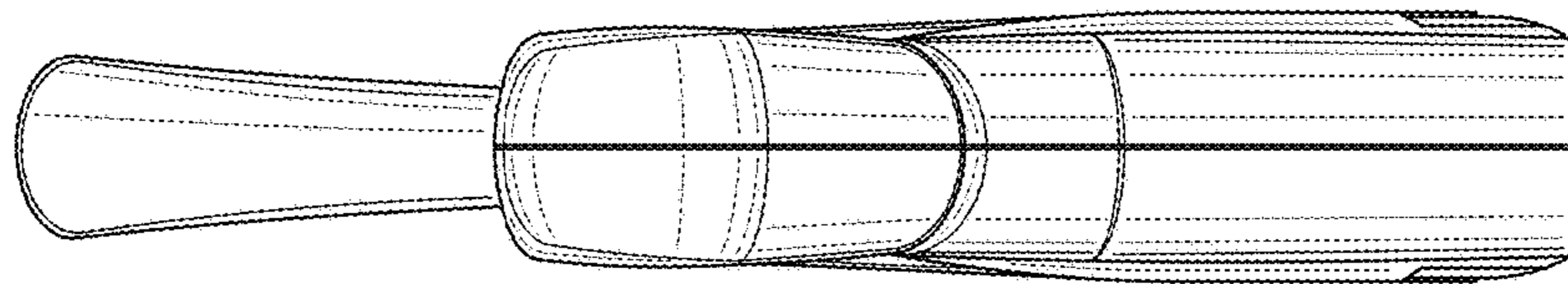


FIG. 5

Amended

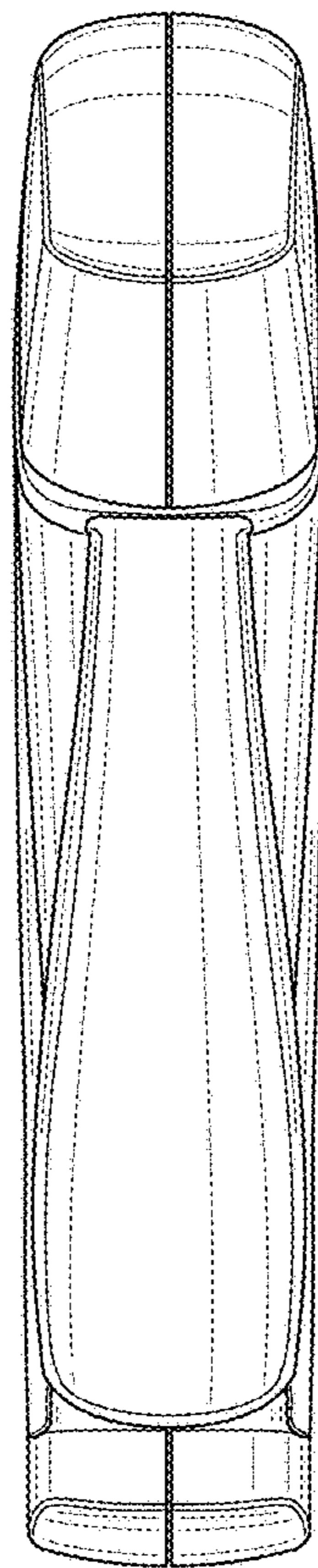


FIG. 6

Amended

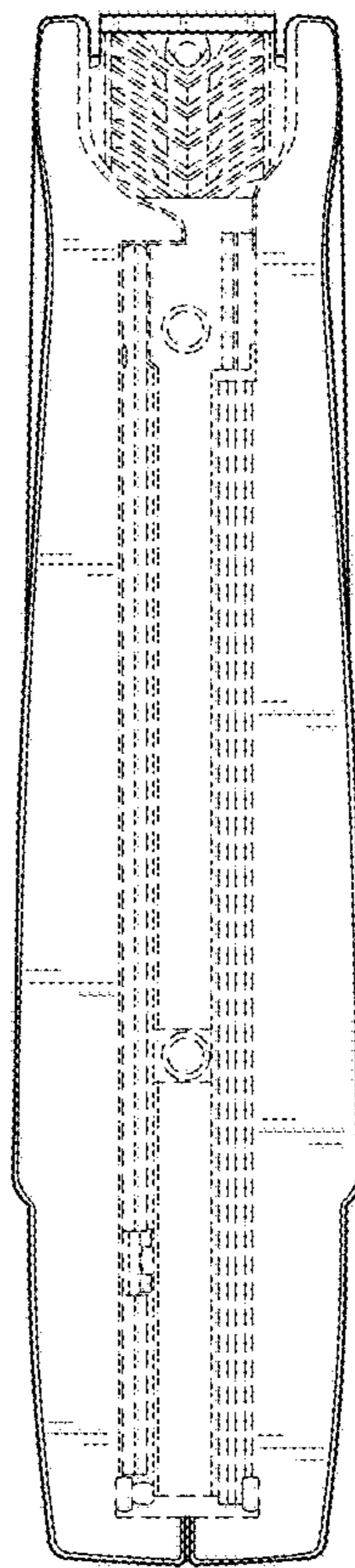


FIG. 7