



US00RE47262E

(19) **United States**
(12) **Reissued Patent**
Chung

(10) **Patent Number:** **US RE47,262 E**
(45) **Date of Reissued Patent:** **Mar. 5, 2019**

(54) **MOBILE PHONE MONITOR**

DESCRIPTION

(71) Applicant: **Samsung Electronics Co., Ltd.**,
Suwon-si (KR)
(72) Inventor: **Jae-Woong Chung**, Seongnam-Si (KR)
(73) Assignee: **Samsung Electronics Co., Ltd.**,
Suwon-si (KR)
(21) Appl. No.: **29/487,577**
(22) Filed: **Apr. 10, 2014**

This design patent application is a reissue of U.S. Design Pat. No. D671,939, issued Dec. 4, 2012, which claims the benefit under 35 U.S.C. Sections 119 and 172 of Korean Patent Application Serial No. 30-2011-0031691, filed Jul. 29, 2011, which is hereby incorporated by reference in its entirety into this application.

FIG. 1 is a front perspective view of a mobile phone monitor showing my new design;

FIG. 2 is a front view [of the mobile phone monitor of FIG. 1] thereof;

FIG. 3 is a rear view [of the mobile phone monitor of FIG. 1] thereof;

FIG. 4 is a left-side view [of the mobile phone monitor of FIG. 1] thereof;

FIG. 5 is a right-side view [of the mobile phone monitor of FIG. 1] thereof;

FIG. 6 is a top [plan] view thereof of the mobile phone monitor of FIG. 1;

FIG. 7 is a bottom [plan] view [of the mobile phone monitor of FIG. 1; and,] thereof;

FIG. 8 is a rear perspective view of the mobile phone monitor of FIG. 1, in which a mobile phone [shown] in broken lines [for environmental purposes only and forms no part of the claimed design illustrates] is provided to illustrate an example of how the mobile phone may be [docketed in] docked to the mobile phone monitor of FIG. 1[.];

FIG. 9 is a front perspective view of a further embodiment of a mobile phone monitor;

FIG. 10 is a front view thereof;

FIG. 11 is a rear view thereof;

FIG. 12 is a left-side view thereof;

FIG. 13 is a right-side view thereof;

FIG. 14 is a top view thereof;

FIG. 15 is a bottom view thereof; and,

FIG. 16 is a rear perspective view of the mobile phone monitor of FIG. 9, in which a mobile phone in broken lines is provided to illustrate an example of how the mobile phone may be docked to the mobile phone monitor of FIG. 9.

The broken lines in the figures show portions of the mobile phone monitor which form no part of the claimed design.

(Continued)

Related U.S. Patent Documents

Reissue of:

(64) Patent No.: **Des. 671,939**
Issued: **Dec. 4, 2012**
Appl. No.: **29/406,258**
Filed: **Nov. 11, 2011**

(30) **Foreign Application Priority Data**

Jul. 29, 2011 (KR) 30-2011-0031691

(51) **LOC (11) Cl.** **14-02**

(52) **U.S. Cl.**
USPC **D14/374**; D14/130

(58) **Field of Classification Search**
USPC D14/336, 337, 341, 125, 126, 130, 217,
D14/434, 239, 240; D06/308, 311;
(Continued)

(56) **References Cited**

U.S. PATENT DOCUMENTS

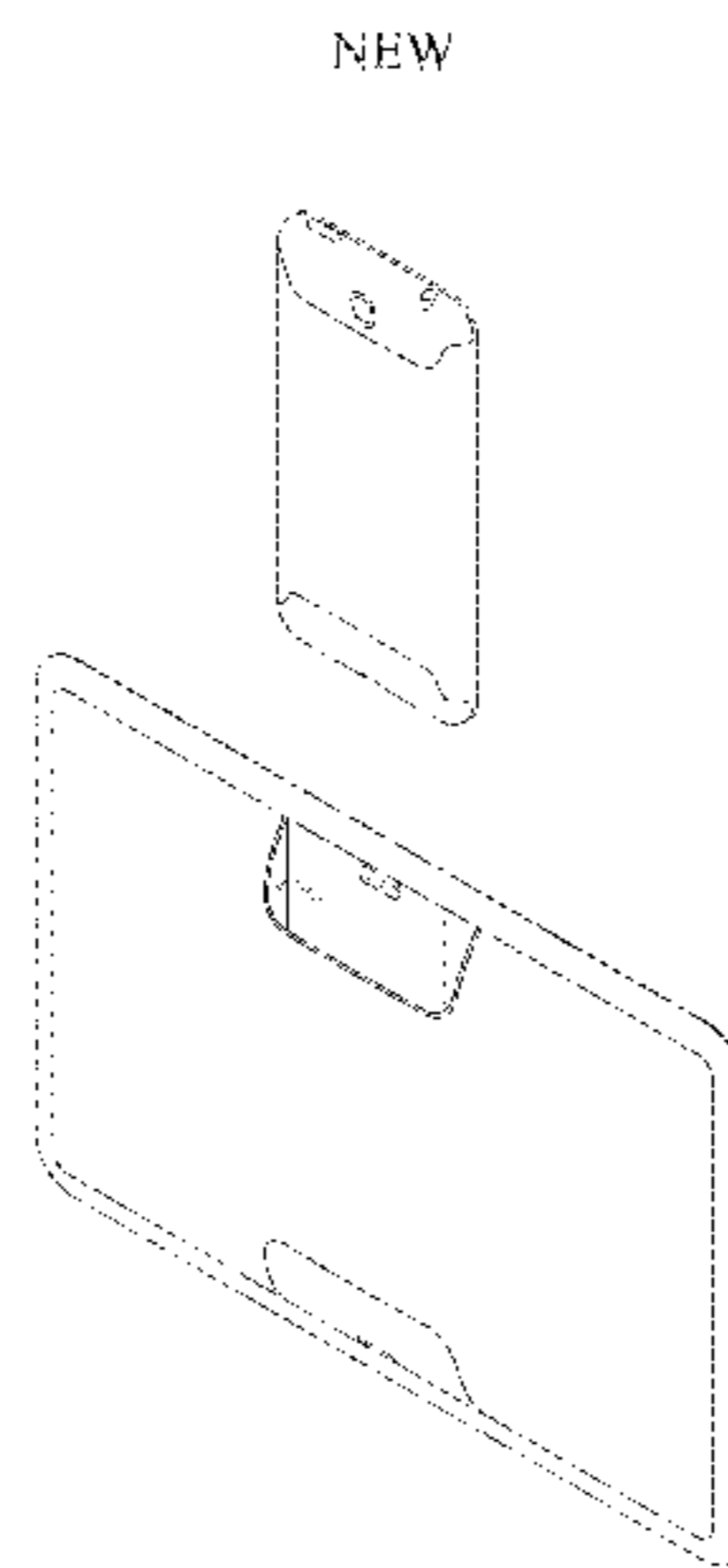
D490,420 S * 5/2004 Solomon et al. D14/341
D504,889 S * 5/2005 Andre et al. D14/341
(Continued)

Primary Examiner — Philip S Hyder

(74) Attorney, Agent, or Firm — NSIP Law

(57) **CLAIM**

[The] I claim the ornamental design for a mobile phone monitor, as shown and described.



The broken line showing of the mobile phone in FIGS. 8 and 16 is for environmental purposes only and forms no part of the claimed design.

1 Claim, 12 Drawing Sheets

Matter enclosed in heavy brackets [] appears in the original patent but forms no part of this reissue; matter printed in italics indicates the additions made by reissue.

(58) Field of Classification Search

USPC 341/12; 345/156, 173, 174, 104;
361/697.01, 679.23; 349/2, 11, 58
See application file for complete search history.

(56) References Cited

U.S. PATENT DOCUMENTS

D540,327 S * 4/2007 Wong et al. D14/434
D550,615 S * 9/2007 Tong D13/107

D552,085 S * 10/2007 Andre et al. D14/217
D568,297 S * 5/2008 Andre et al. D14/217
D575,786 S * 8/2008 Solomon D14/434
D595,265 S * 6/2009 Andre et al. D14/217
D617,793 S * 6/2010 Chiang et al. D14/341
D624,051 S * 9/2010 Shimizu et al. D14/217
D625,291 S * 10/2010 Andre et al. D14/217
D625,292 S * 10/2010 Andre D14/217
D629,373 S * 12/2010 Kim et al. D14/126
D634,304 S * 3/2011 Andre et al. D14/217
D636,360 S * 4/2011 Fantaay D14/129
D639,266 S * 6/2011 DeLorenzo et al. D14/142
D644,228 S * 8/2011 Corsini et al. D14/434
D648,339 S * 11/2011 O'Neil et al. D14/434
D656,935 S * 4/2012 Jones D14/341
D671,940 S * 12/2012 Kim D14/130
2003/0236102 A1* 12/2003 Kawai et al. 455/550.1
2012/0054401 A1* 3/2012 Cheng G06F 1/1632
710/304
2012/0274656 A1* 11/2012 Kang G06F 1/1632
345/619

* cited by examiner

FIG. 1

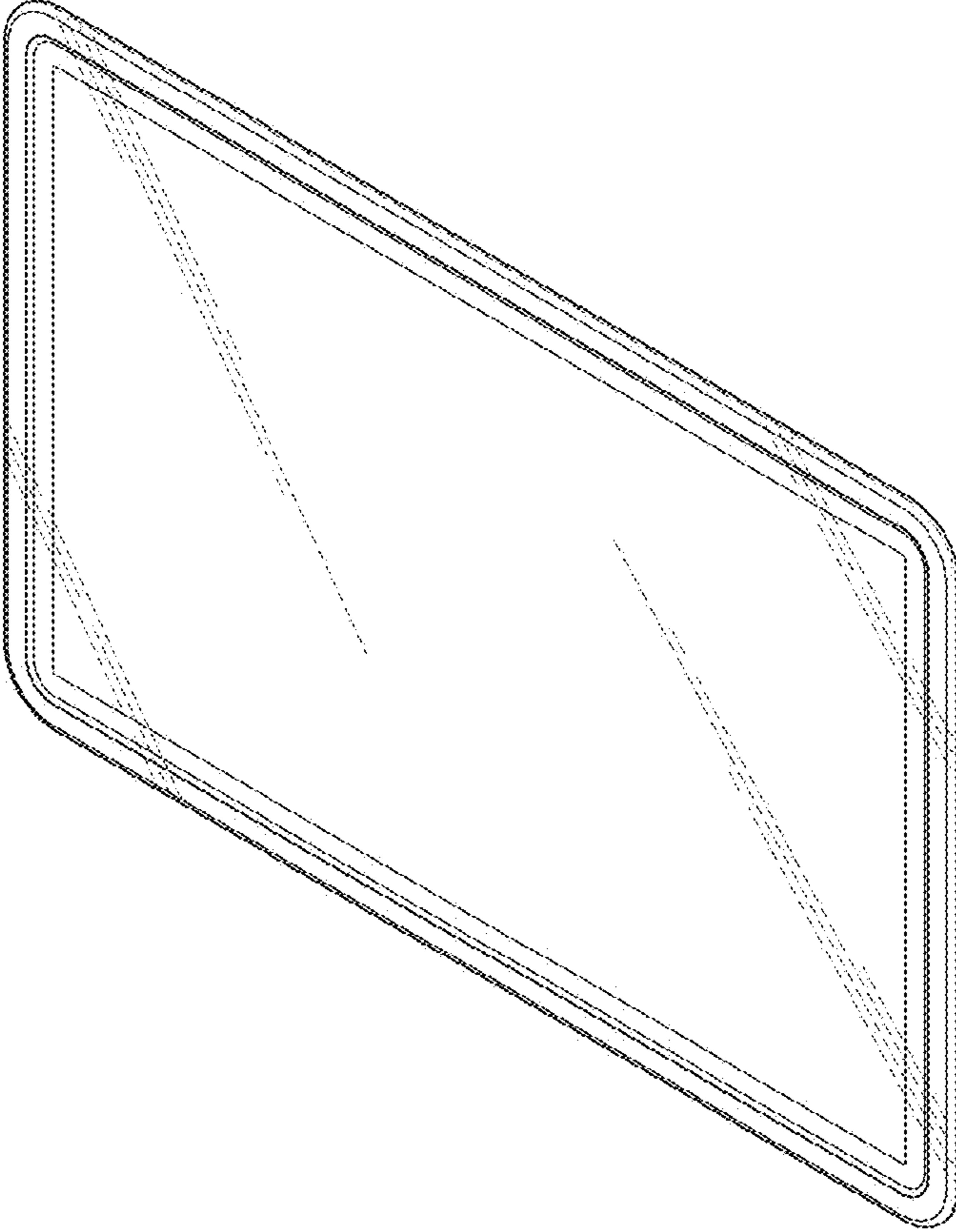


FIG. 2

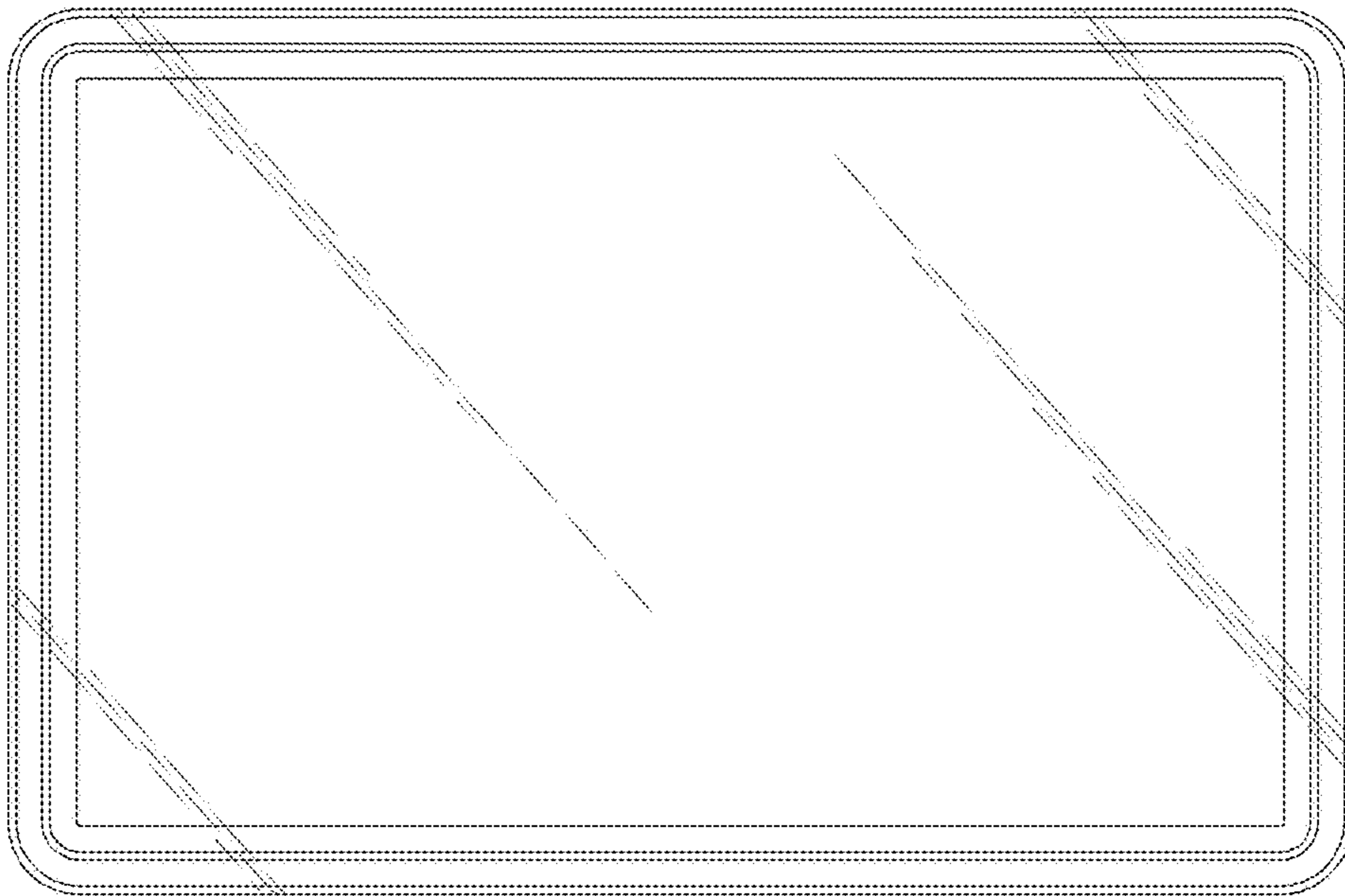


FIG. 3

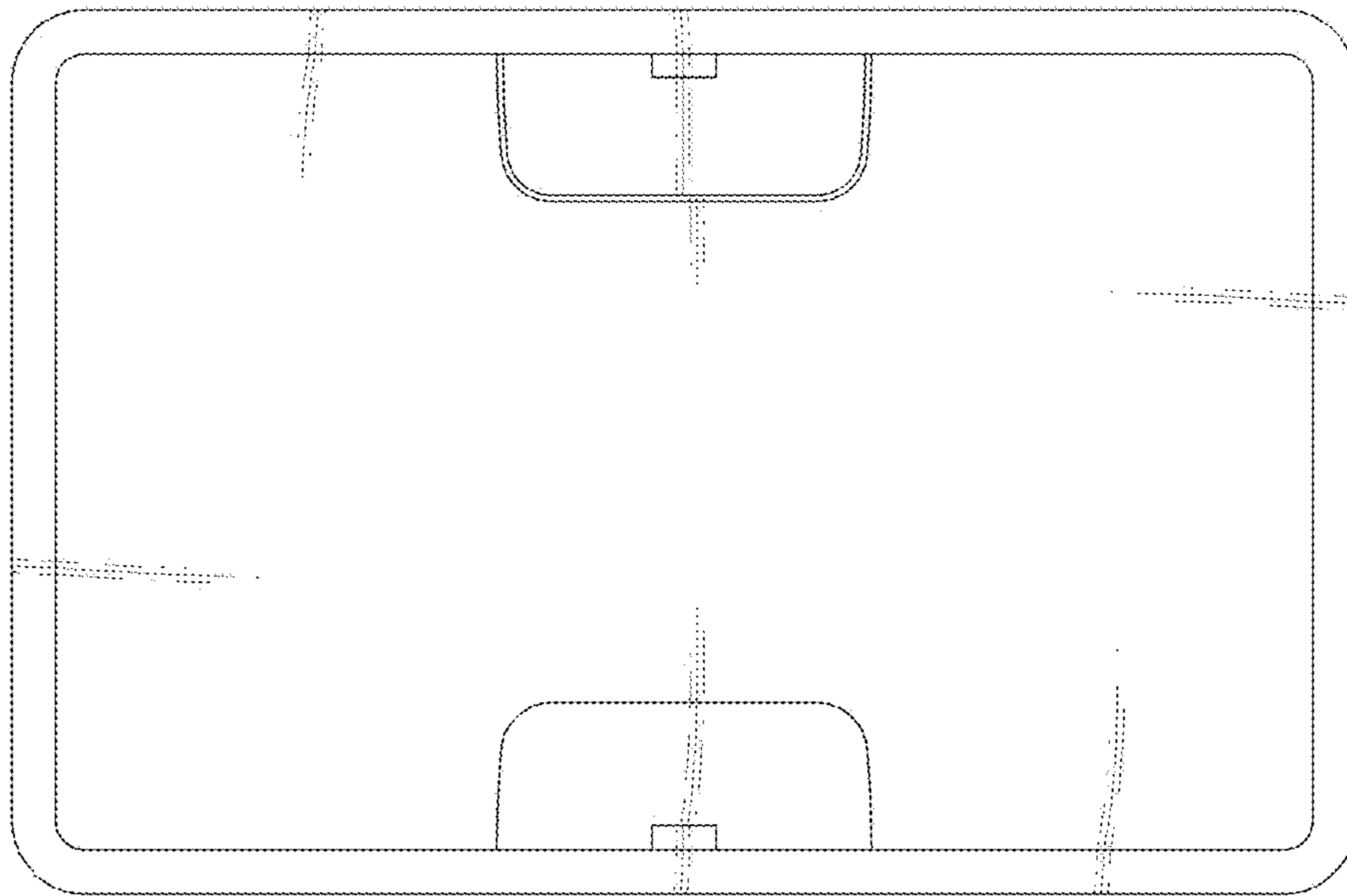


FIG. 4

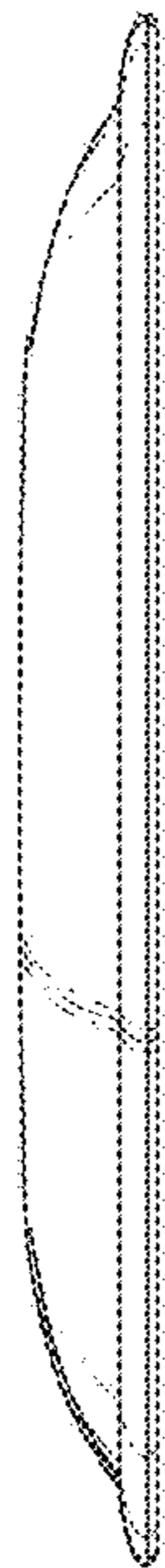


FIG. 5

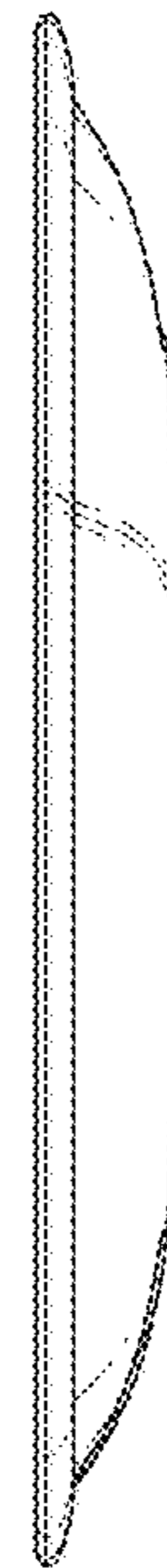


FIG. 6

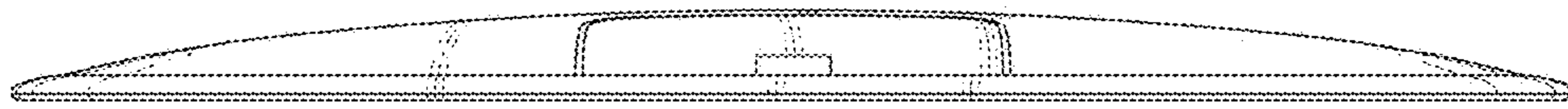


FIG. 7

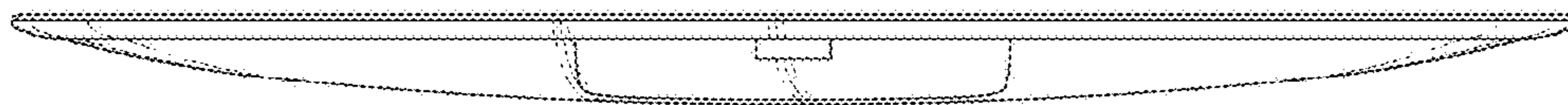
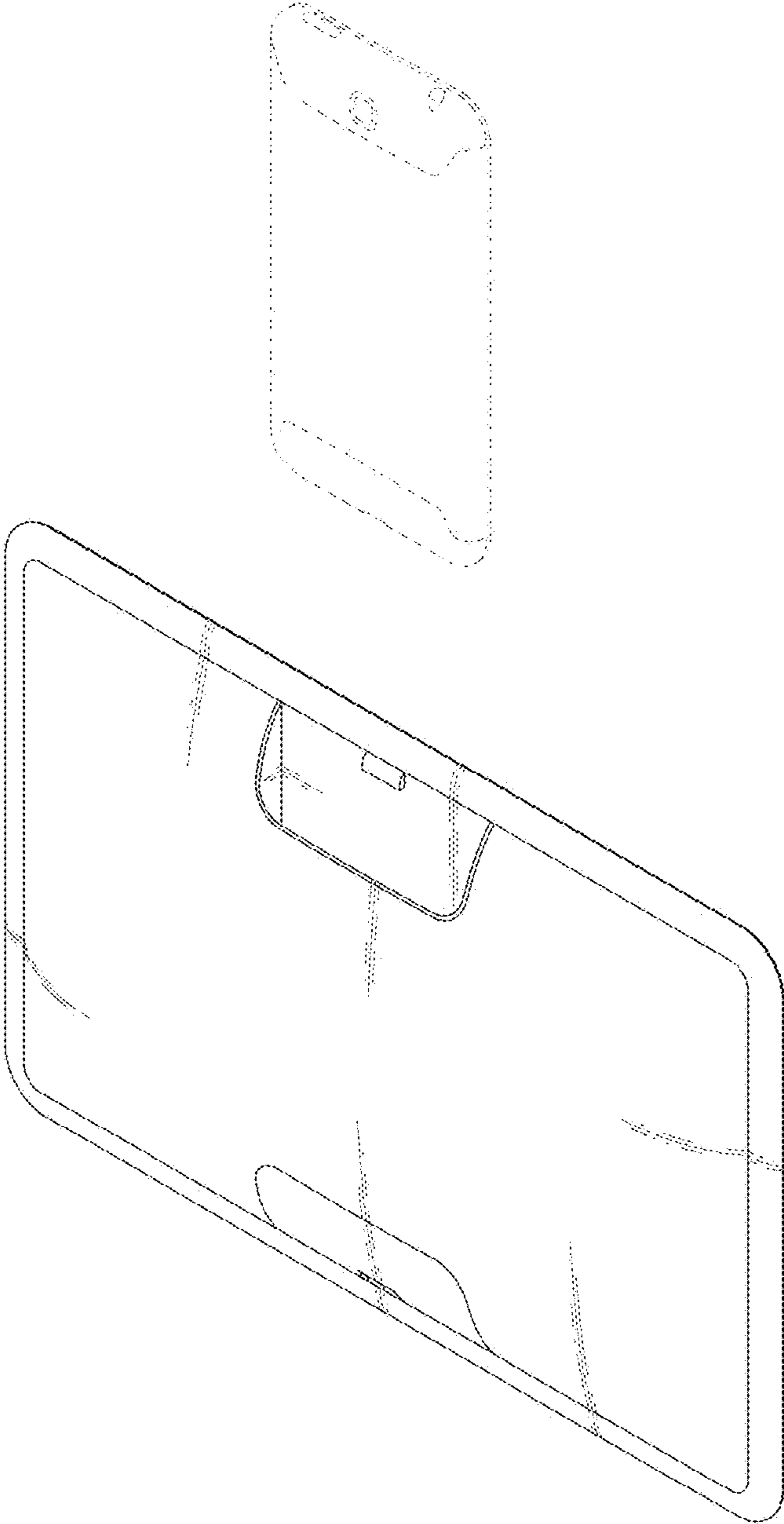
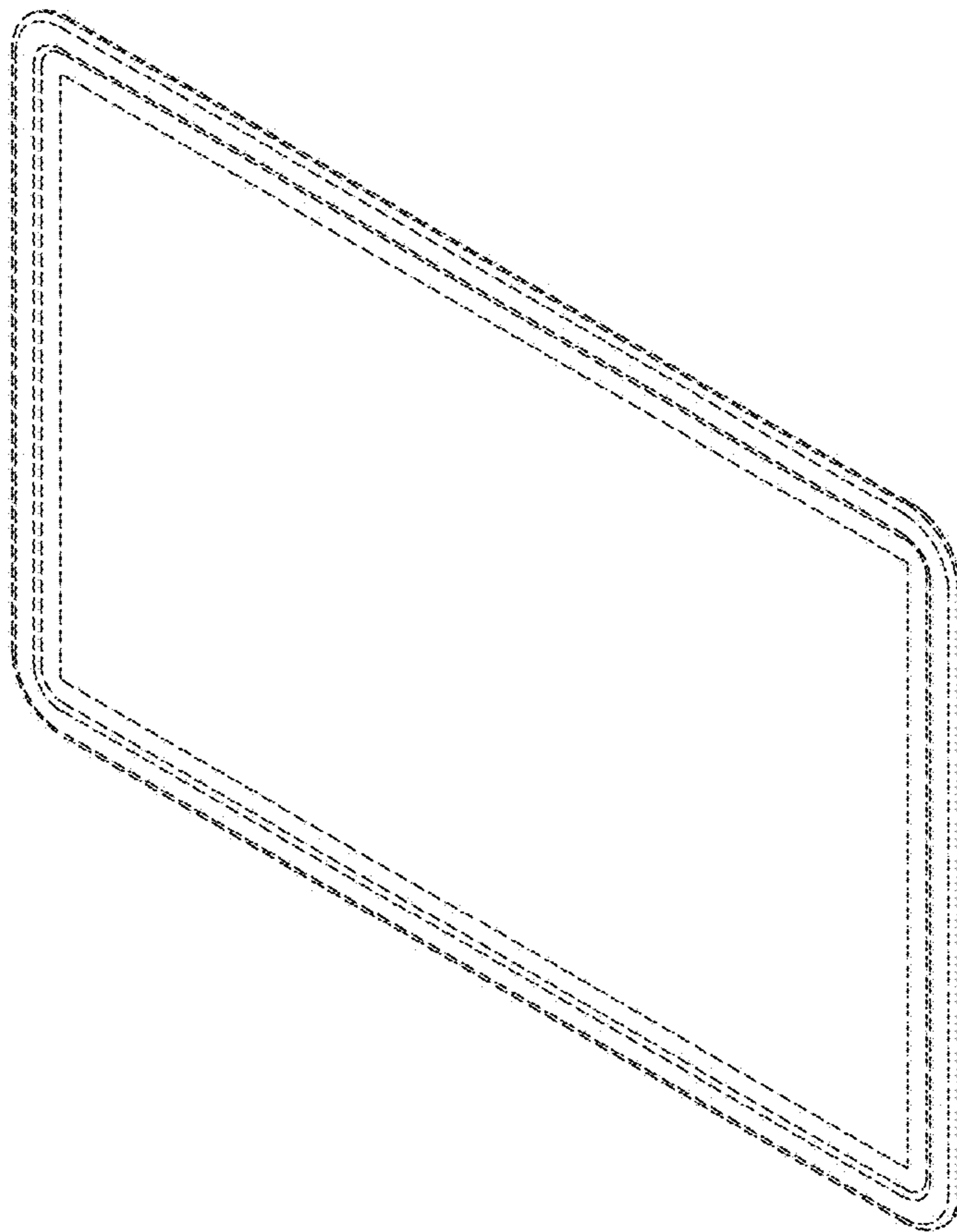


FIG. 8



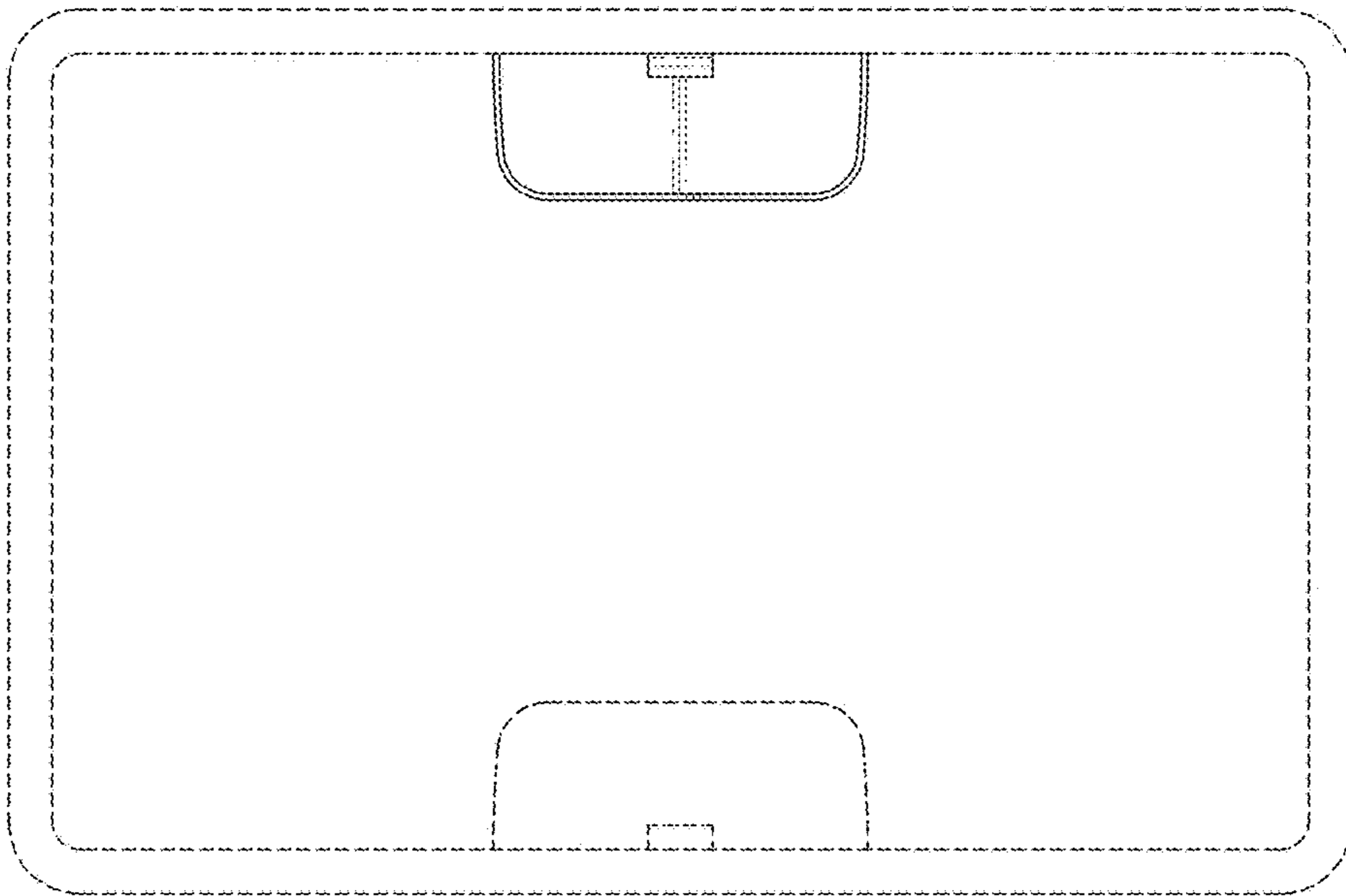
NEW
FIG. 9



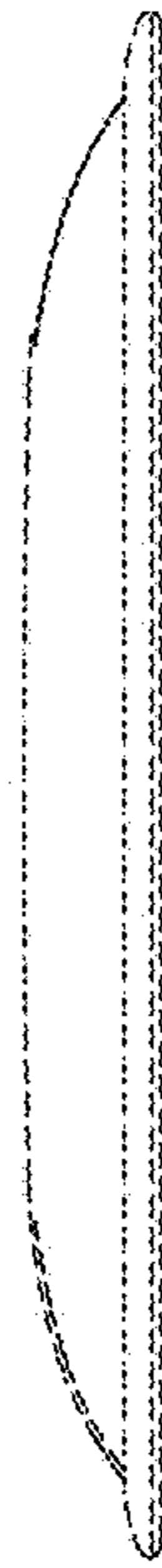
NEW
FIG. 10



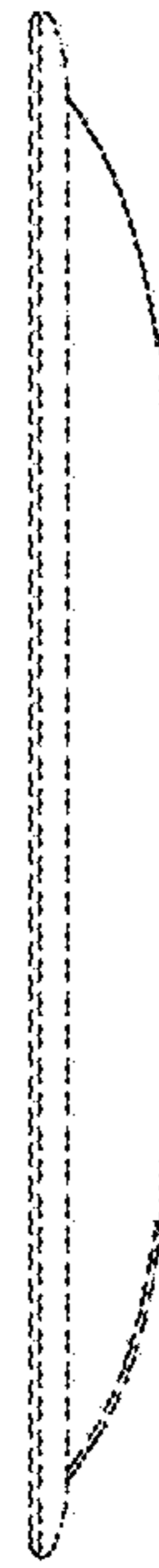
NEW
FIG. 11



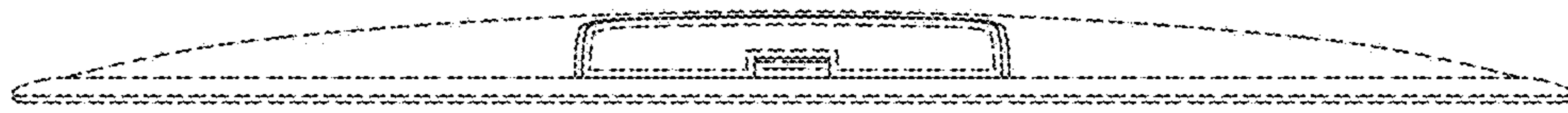
NEW
FIG. 12



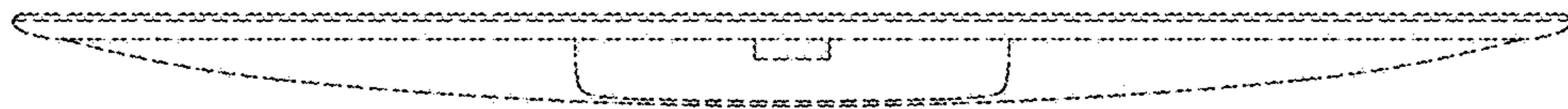
NEW
FIG. 13



NEW
FIG. 14



NEW
FIG. 15



NEW
FIG. 16

