



US00RE47228E

(19) **United States**  
(12) **Reissued Patent**  
**Jalali et al.**

(10) **Patent Number:** **US RE47,228 E**  
(45) **Date of Reissued Patent:** **Feb. 5, 2019**

(54) **MULTIPLEXING OF REAL TIME SERVICES AND NON-REAL TIME SERVICES FOR OFDM SYSTEMS**

(58) **Field of Classification Search**  
CPC . H04L 5/023; H04L 5/026; H04L 5/06; H04L 27/10; H04L 27/12; H04L 27/26; H04L 23/02; H04J 13/004  
See application file for complete search history.

(71) Applicant: **QUALCOMM Incorporated**, San Diego, CA (US)

(56) **References Cited**

(72) Inventors: **Ahmad Jalali**, Rancho Santa Fe, CA (US); **Jay R. Walton**, Calisle, MA (US); **Mark Wallace**, Bedford, MA (US)

U.S. PATENT DOCUMENTS

4,901,307 A 2/1990 Gilhousen et al.  
5,103,459 A 4/1992 Gilhousen et al.  
(Continued)

(73) Assignee: **QUALCOMM Incorporated**, San Diego, CA (US)

FOREIGN PATENT DOCUMENTS

CA 2335225 8/2001  
CA 2501634 A1 5/2004  
(Continued)

(21) Appl. No.: **14/296,081**

OTHER PUBLICATIONS

(22) Filed: **Jun. 4, 2014**

Jones, V.K., et al., "Channel Estimation for Wireless OFDM Systems" Globecom 98, 1998, p. 980-985.  
(Continued)

**Related U.S. Patent Documents**

Reissue of:

(64) Patent No.: **8,194,776**  
Issued: **Jun. 5, 2012**  
Appl. No.: **12/704,111**  
Filed: **Feb. 11, 2010**

*Primary Examiner* — Eron J Sorrell  
(74) *Attorney, Agent, or Firm* — Liem T. Do

U.S. Applications:

(63) Continuation of application No. 11/165,451, filed on Jun. 23, 2005, now Pat. No. 7,751,492, which is a  
(Continued)

(57) **ABSTRACT**

Transmitter and receiver units for use in an OFDM communications system and configurable to support multiple types of services. The transmitter unit includes one or more encoders, a symbol mapping element, and a modulator. Each encoder receives and codes a respective channel data stream to generate a corresponding coded data stream. The symbol mapping element receives and maps data from the coded data streams to generate modulation symbol vectors, with each modulation symbol vector including a set of data values used to modulate a set of tones to generate an OFDM symbol. The modulator modulates the modulation symbol vectors to provide a modulated signal suitable for transmission. The data from each coded data stream is mapped to a respective set of one or more "circuits". Each circuit can be defined to include a number of tones from a number of

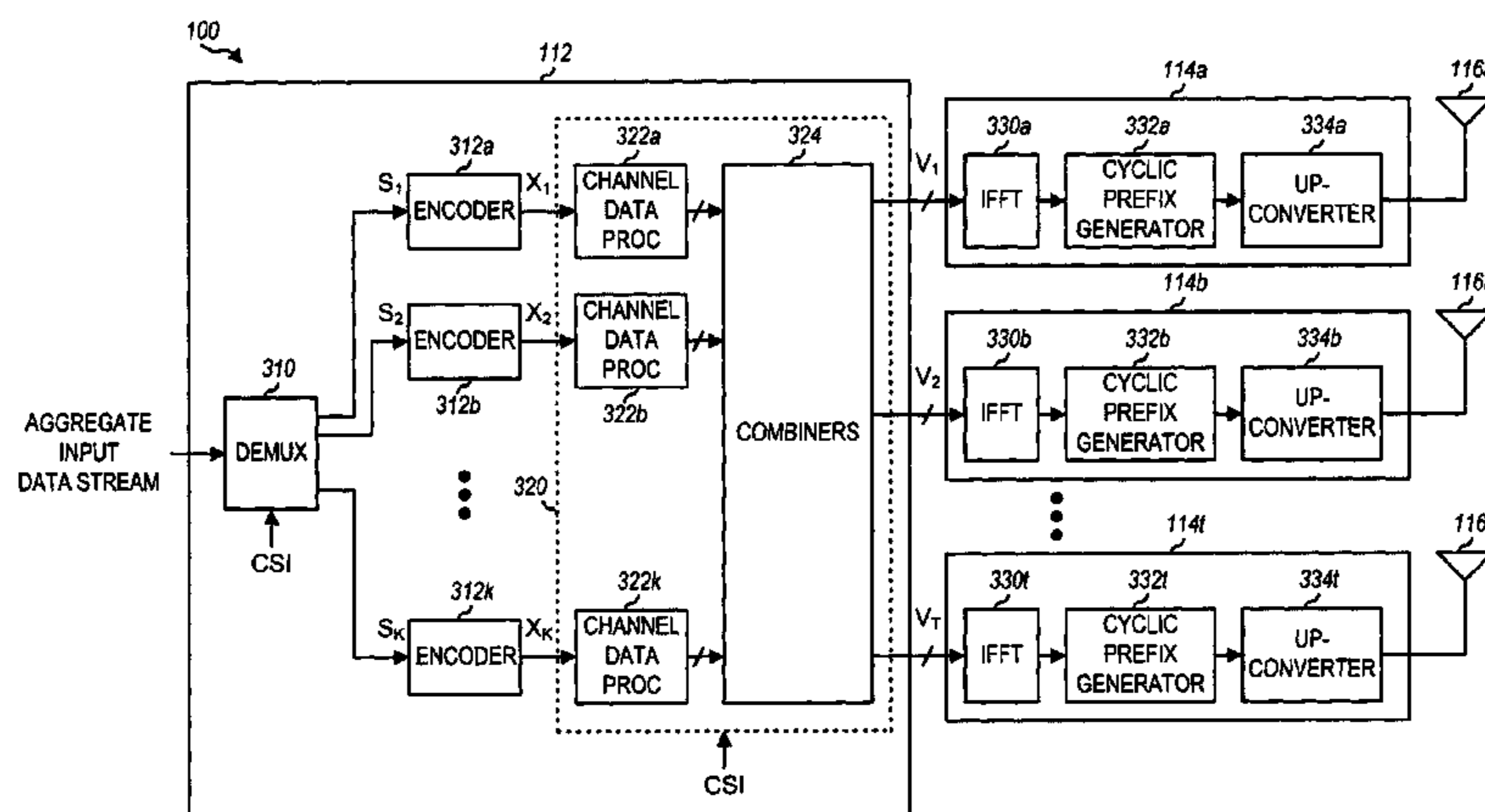
(51) **Int. Cl.**

**H04B 7/02** (2018.01)  
**H04L 27/26** (2006.01)

(52) **U.S. Cl.**

CPC ..... **H04L 27/26** (2013.01)

(Continued)



OFDM symbols, a number of tones from a single OFDM symbol, all tones from one or more OFDM symbols, or some other combination of tones. The circuits can have equal size or different sizes. Different circuits can be used for full rate data (e.g., active speech) and low rate data (e.g., silence periods).

**41 Claims, 13 Drawing Sheets**

**Related U.S. Application Data**

continuation of application No. 09/614,970, filed on Jul. 12, 2000, now Pat. No. 6,952,454, which is a continuation-in-part of application No. 09/539,224, filed on Mar. 30, 2000, now Pat. No. 6,473,467, which is a continuation-in-part of application No. 09/532,492, filed on Mar. 22, 2000, now abandoned.

(56) **References Cited**

U.S. PATENT DOCUMENTS

5,170,413	A	12/1992	Hess et al.	
5,204,874	A *	4/1993	Falconer .....	H03M 13/23 370/209
5,243,629	A *	9/1993	Wei .....	375/299
5,274,836	A	12/1993	Lux	
5,345,599	A	9/1994	Paulraj et al.	
5,351,274	A	9/1994	Chennakeshu et al.	
5,406,593	A	4/1995	Chennakeshu et al.	
5,450,456	A	9/1995	Mueller	
5,471,647	A	11/1995	Gerlach et al.	
5,504,773	A	4/1996	Padovani et al.	
5,506,865	A	4/1996	Weaver, Jr.	
5,559,790	A	9/1996	Yano et al.	
5,579,341	A	11/1996	Smith et al.	
5,621,752	A	4/1997	Antonio et al.	
5,694,389	A	12/1997	Seki et al.	
5,709,883	A	1/1998	Drizen et al.	
5,719,883	A *	2/1998	Ayanoglu .....	H04L 1/0001 370/216
5,748,683	A	5/1998	Smith et al.	
5,771,224	A	6/1998	Seki et al.	
5,790,516	A	8/1998	Gudmundson et al.	
5,818,813	A	10/1998	Saito et al.	
5,867,478	A	2/1999	Baum et al.	
5,914,933	A	6/1999	Cimini et al.	
5,926,500	A	7/1999	Odenwalder	
5,933,421	A	8/1999	Alamouti et al.	
5,943,013	A	8/1999	Ohashi	
5,943,361	A	8/1999	Gilhousen et al.	
5,946,346	A	8/1999	Ahmed et al.	
5,982,327	A	11/1999	Vook et al.	
6,005,840	A	12/1999	Awater et al.	
6,005,876	A	12/1999	Cimini, Jr. et al.	
6,005,893	A	12/1999	Hyll	
6,006,110	A	12/1999	Raleigh	
6,009,073	A	12/1999	Kaneko	
6,016,312	A	1/2000	Storm et al.	
6,058,105	A	5/2000	Hochwald et al.	
6,101,399	A	8/2000	Raleigh et al.	
6,128,330	A	10/2000	Schilling	
6,131,016	A	10/2000	Greenstein et al.	
6,141,393	A	10/2000	Thomas et al.	
6,144,711	A	11/2000	Raleigh et al.	
6,151,296	A	11/2000	Vijayan et al.	
6,151,328	A	11/2000	Kwon et al.	
6,158,041	A *	12/2000	Raleigh et al. ....	714/792
6,175,550	B1	1/2001	Van Nee	
6,219,377	B1	4/2001	Linz	
6,252,864	B1	6/2001	Hayashi	
6,304,991	B1	10/2001	Rowitch et al.	
6,307,882	B1	10/2001	Marzetta	

6,347,071	B1 *	2/2002	Cupo .....	H04L 5/023 370/203
6,366,619	B1 *	4/2002	McCallister .....	H04B 1/707 375/295
6,377,631	B1 *	4/2002	Raleigh .....	375/299
6,377,636	B1	4/2002	Paulraj et al.	
6,385,190	B1 *	5/2002	Malkamaki .....	H04L 5/023 370/204
6,424,635	B1 *	7/2002	Song .....	H04B 3/23 370/286
6,452,964	B1	9/2002	Yoshida	
6,473,418	B1 *	10/2002	Laroia .....	H04L 5/026 370/344
6,473,467	B1	10/2002	Wallace et al.	
6,493,331	B1 *	12/2002	Walton et al. ....	370/341
6,519,292	B1	2/2003	Sakoda et al.	
6,570,972	B2	5/2003	Patterson	
6,574,211	B2	6/2003	Padovani et al.	
6,611,551	B1 *	8/2003	Jones, IV .....	H04L 25/0226 370/210
6,674,966	B1 *	1/2004	Koonen .....	H04B 10/25752 370/318
6,704,370	B1	3/2004	Chheda et al.	
6,798,736	B1	9/2004	Black et al.	
6,952,454	B1	10/2005	Jalali et al.	
7,095,708	B1 *	8/2006	Alamouti .....	H04L 5/0007 370/208
7,215,718	B1	5/2007	Calderbank et al.	
7,664,193	B2	2/2010	Jalali et al.	
7,751,492	B2	7/2010	Jalali et al.	
7,813,441	B2	10/2010	Jalali et al.	
8,194,776	B2	6/2012	Jalali et al.	
2002/0122465	A1 *	9/2002	Agee .....	H04B 1/69 375/141
2002/0154705	A1	10/2002	Walton et al.	
2003/0125040	A1	7/2003	Walton et al.	

FOREIGN PATENT DOCUMENTS

EP	0658014	A1	6/1995
EP	0683576	A1	11/1995
EP	0702466	A2	3/1996
EP	0734132	A2	9/1996
EP	0825732	A2	2/1998
EP	0825741	A2	2/1998
GB	2313237	A	11/1997
JP	8265289	A	10/1996
JP	10112694	A	4/1998
JP	11168453		6/1999
JP	11275047	A	10/1999
JP	11340890	A	12/1999
JP	2001505723	A	4/2001
JP	2001505723	T	4/2001
WO	WO-9210890	A1	6/1992
WO	WO-92011716		7/1992
WO	WO-9609708	A2	3/1996
WO	WO9809381	A	3/1998
WO	WO-9809381	A1	3/1998
WO	WO-9809385	A2	3/1998
WO	WO9809395	A1	3/1998
WO	WO-9810531	A1	3/1998
WO	WO-199809395		3/1998
WO	WO-98039858		9/1998
WO	WO-9858496	A2	12/1998
WO	WO-9914878	A1	3/1999
WO	WO-0004728		1/2000
WO	WO0004728	A2	1/2000
WO	WO-0108426	A2	2/2001
WO	WO-0120840	A1	3/2001
WO	WO-0128040	A1	4/2001
WO	WO0171828		9/2001
WO	WO-0171928	A2	9/2001

(56)

**References Cited**

## FOREIGN PATENT DOCUMENTS

WO WO-0176098 A2 10/2001  
 WO WO-0176110 A2 10/2001

## OTHER PUBLICATIONS

Raleigh, G. et al., "Multivariate Modulation and Coding for Wireless Communication," *IEEE Journal on Selected in Communications*, vol. 17, No. 5, pp. 851-866, May 1999.

Co-pending U.S. Appl. No. 07/624,118, filed Dec. 7, 1990.

A. Li Y et al., "Transmitter Diversity for OFDM Systems and Its Impact on High-Rate Data Wireless Networks," *IEEE Journal on Selected Areas in Communications*, IEEE Inc., New York, US, vol. 17, No. 7, Jul. 1999, pp. 1233-1243.

Anonymous: "The CDMA2000 ITU-R RTT Candidate Submission (0.18)," Jul. 27, 1998, pp. 1-311, XP002601391, Retrieved from the Internet: URL:[http://WWW.tiaonline.org/standards/technology/documents/TR455\\_RTT\\_V18.pdf](http://WWW.tiaonline.org/standards/technology/documents/TR455_RTT_V18.pdf) [Retrieved on Sep. 17, 2010].

Bingham J.A.C., "Multicarrier modulation for data transmission: An idea whose time has come," *Communications Magazine*, IEEE, , vol. 28, Issue 5, pp. 5-14 (May 1990).

European Search Report—EP0601473, Search Authority—Munich Patent Office dated Nov. 23, 2006.

European Search Report—EP10009636 , Search Authority—Munich Patent Office, dated Nov. 2, 2011.

European Search Report—EP10009637 , Search Authority—Munich Patent Office, dated Nov. 2, 2011.

European Search Report—EP10169330—Search Authority—The Hague dated Feb. 28, 2011.

Gerlach D, et al., "Adaptive Transmitting Antenna Arrays With Feedback", *IEEE Signal Processing Letters*, IEEE Service Center, Piscataway, NJ, US, vol. 1, No. 10, Oct. 1, 1994 ( Oct. 1, 1994), pp. 150-152, XP000476908.

International Preliminary Examination Report—PCT/US2001/022010, International Preliminary Examining Authority/US-Alexandria, Virginia dated May 12, 2003.

International Search Report—PCT/US01/009114, International Search Authority—European Patent Office dated Oct. 11, 2001.

International Search Report—PCT/US2001/009179, International Search Authority—European Patent Office dated Mar. 5, 2002.

International Search Report—PCT/US2001/022010, International Search Authority—European Patent Office dated Feb. 25, 2002.

Kalofonos, et al., "On the performance of adaptive MMSE detectors for a MC-CDMA system in fast fading Rayleigh channels," *Personal, Indoor and Mobile Radio Communications*, The Ninth IEEE International Symposium, 1998, 3, 1309-1313.

Stirling G, et al., "Performance of a OFDM-CDMA System with Orthogonal Convolutional Coding and Interference Cancellation," *Vehicular Technology Conference*, IEEE 47th, Phoenix, Arizona, May 1997, pp. 860-864.

Telecommunications Industry Association, *Mobile Station-Base Station Compatibility Standard for Dual-Mode Wideband Spread Spectrum Cellular System*, TIA/EIA-95, Jul. 1993, 668 pages.

Tomba Et Ak., "Downlink Detection Schemes for MC-CDMA Systems in Indoor Environments," *IEICE Transactions of Communications*, vol. E79B, No. 9, Sep. 1996, pp. 1351-1360, XP000636076.

A Li Y et al., "Transmitter Diversity for OFDM Systems and Its Impact on High-Rate Data Wireless Networks," *IEEE Journal on Selected Areas in Communications*, IEEE Inc., New York, US, vol. 17, No. 7, Jul. 1999, pp. 1233-1243, XP000834945.

Bingham: "Multicarrier Modulation for Data Transmission: An Idea Whose Time Has Come", *IEEE Communications Magazine*, May 1990, pp. 5-14.

International Search Report—PCT/US2001/022010, International Search Authority—European Patent Office—Feb. 25, 2002.

K.L. Baum, et al., "A Comparison of Differential and Coherent Reception for a Coded OFDM System in a Low C/I Environment," *IEEE Global Telecommunications Conference* Phoenix, AZ, Nov. 3-8, 1987, *Global Telecommunications Conference* New York, IEEE, US, vol. 1, Nov. 3, 1997 (pp. 300-304).

Speth et al., "Optimum Receiver Design for Wireless Broad-Band Systems using OFDM—Part 1," *IEEE Transactions on Communications*, vol. 47, No. 11, Nov. 1999 (pp. 1668-1677).

Steve Dennett; "The CDMA2000 ITU-R RTT Candidate Submission" Jul. 27, 1998, pp. 1-311.

European Search Report—EP10169330—Search Authority—The Hague—Feb. 28, 2011.

Gerlach D et al: "Adaptive Transmitting Antenna Arrays With Feedback", *IEEE Signal Processing Letters*, IEEE Service Center, Piscataway, NJ, US, vol. 1, No. 10, Oct. 1, 1994, pp. 150-152, XP000476908.

Translation of Office Action in Japanese application 2001-0573665 corresponding to U.S. Appl. No. 09/539,224, citing WO9809381 and JP11168453 dated Feb. 15, 2011.

European Search Report—EP10009636, Search Authority—Munich Patent Office, Nov. 2, 2011.

European Search Report—EP10009637, Search Authority—Munich Patent Office, Nov. 2, 2011.

Speth, Michael, et al., "Iterative multiuser detection for bit interleaved coded modulation," *Communications*, 2000. ICC 2000. 2000 IEEE International Conference on, Jun. 22, 2000, vol. 2, pp. 894-898.

Vandendorpe L., "Reduced complexity fractionally spaced MIMO equalizers for multitone systems without guard time", invited for the *IEEE International Conference on Personal Wireless Communications*, ICPWC'96, India, Feb. 1996, pp. 323-327.

\* cited by examiner

100

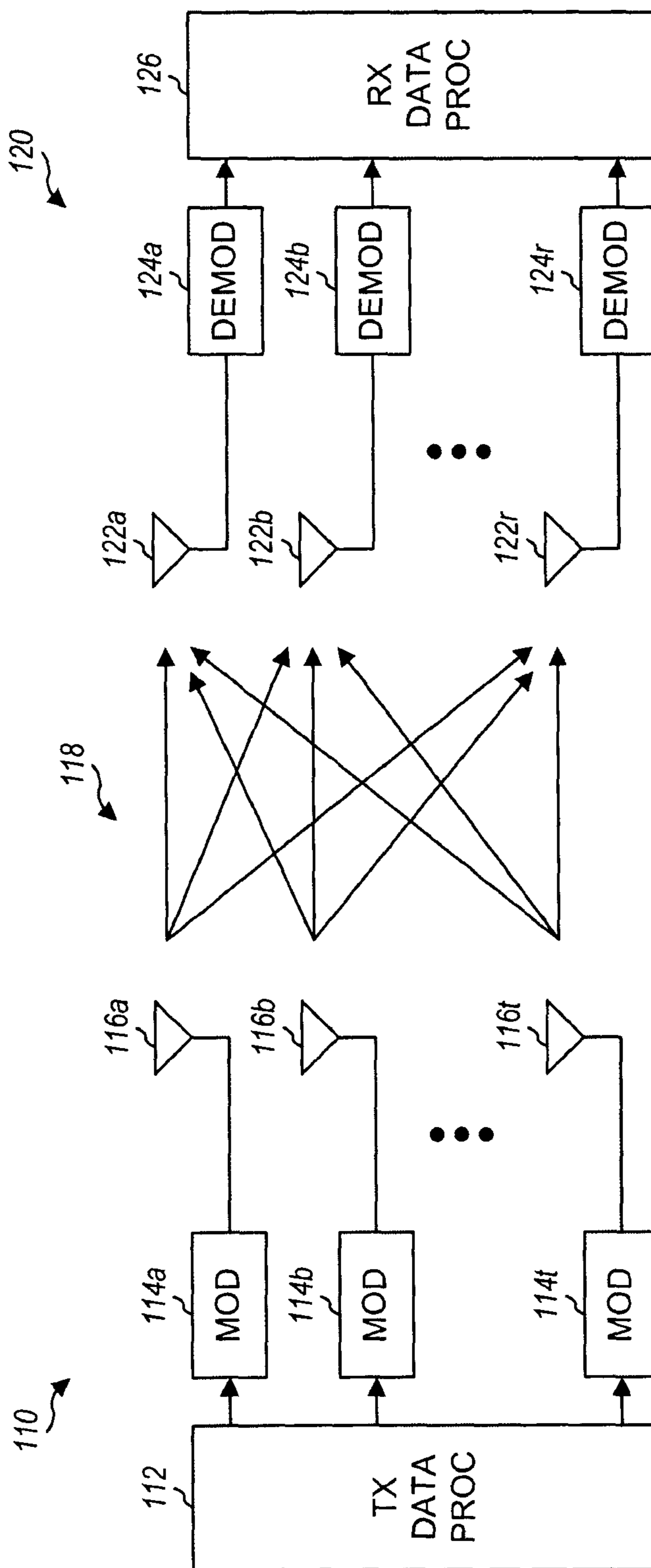


FIG. 1

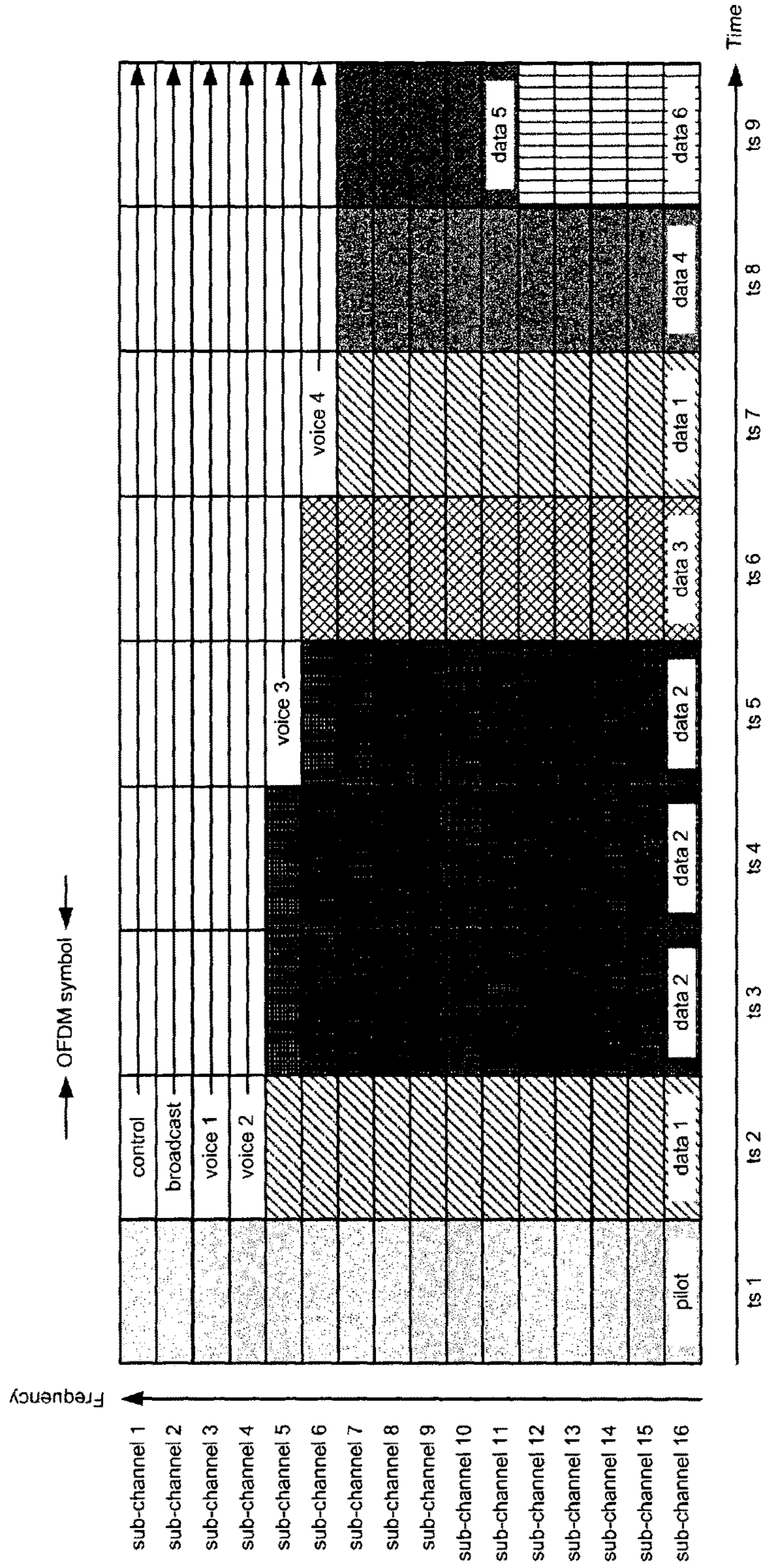


FIG. 2

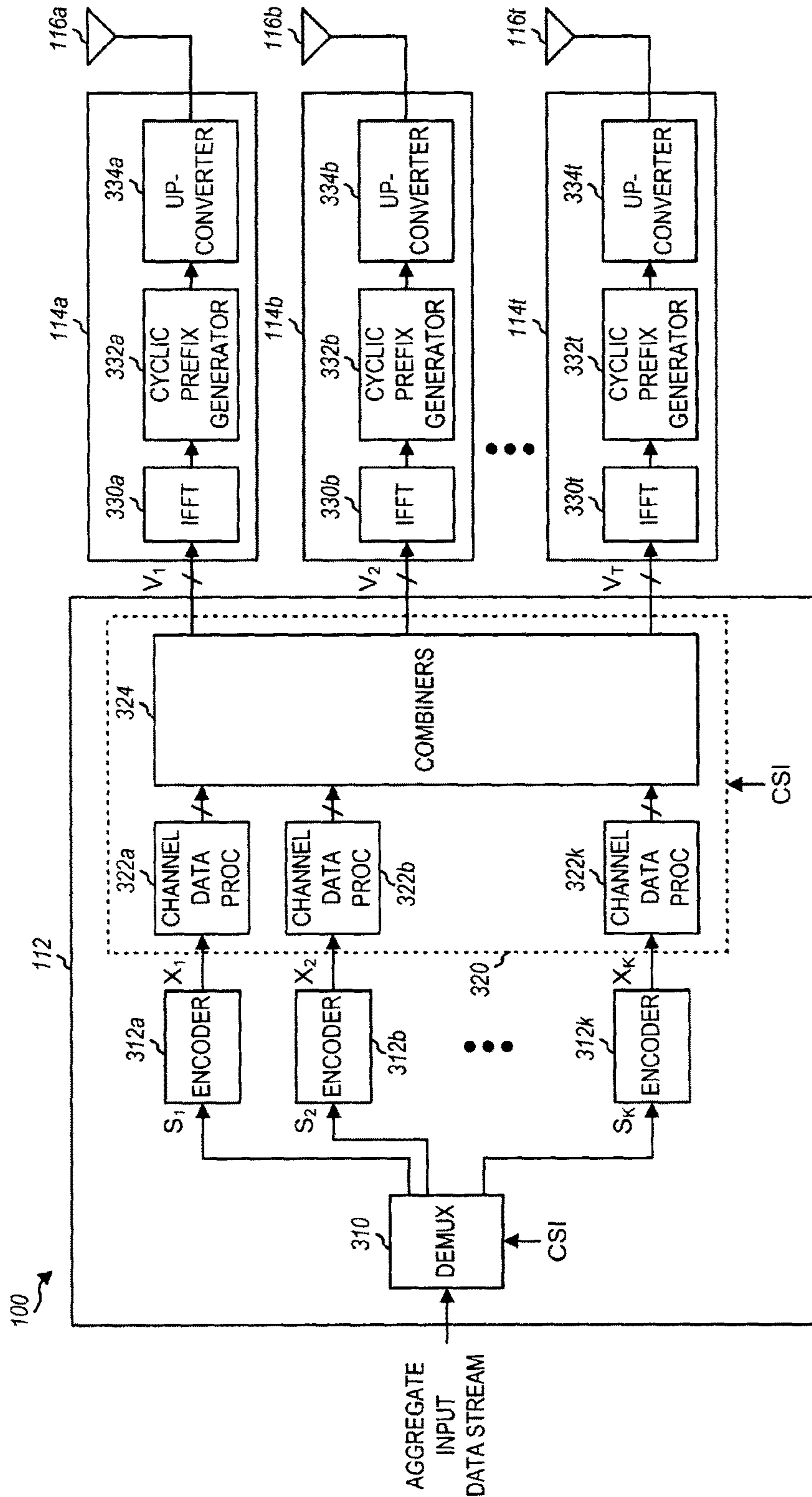


FIG. 3

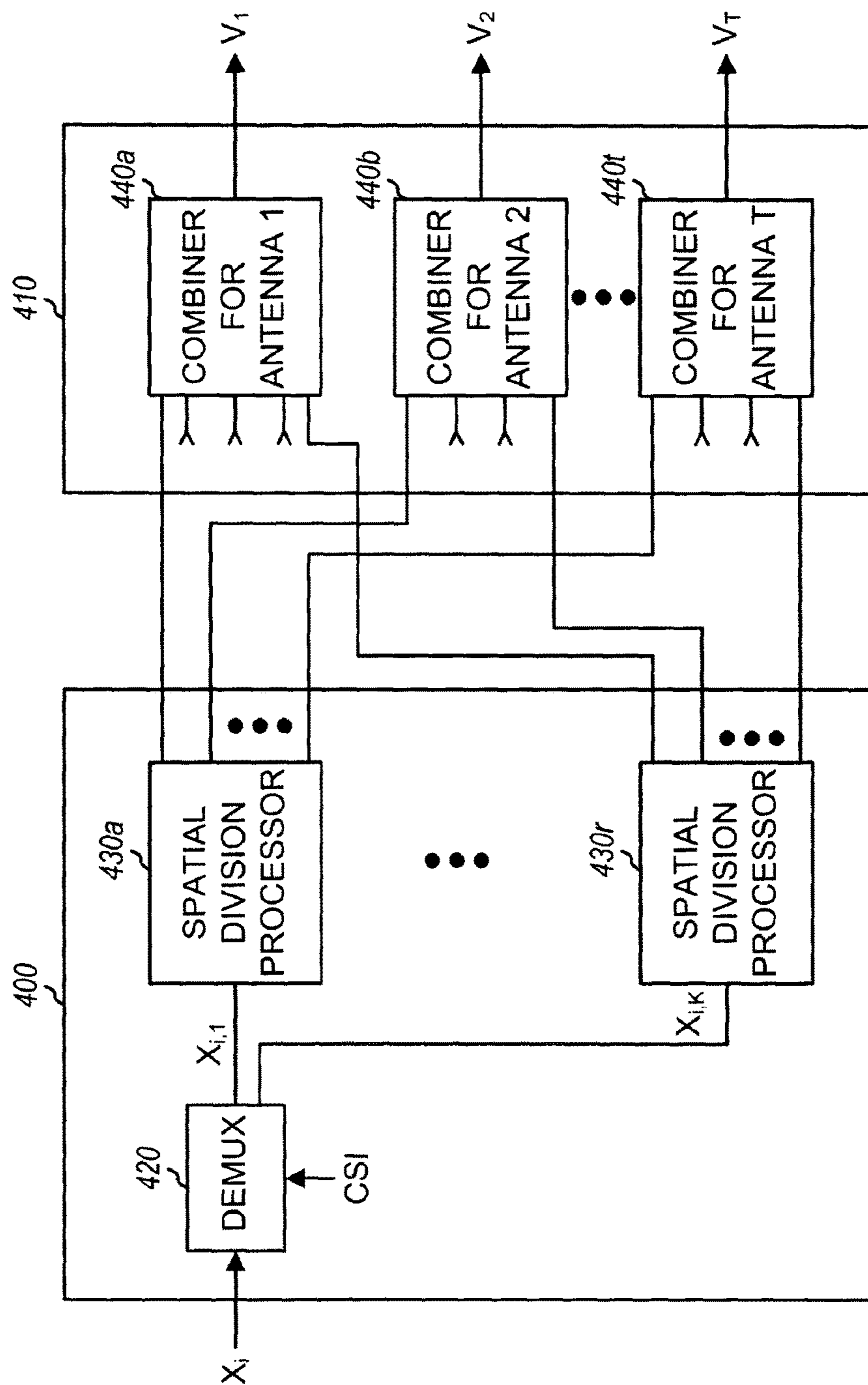


FIG. 4A

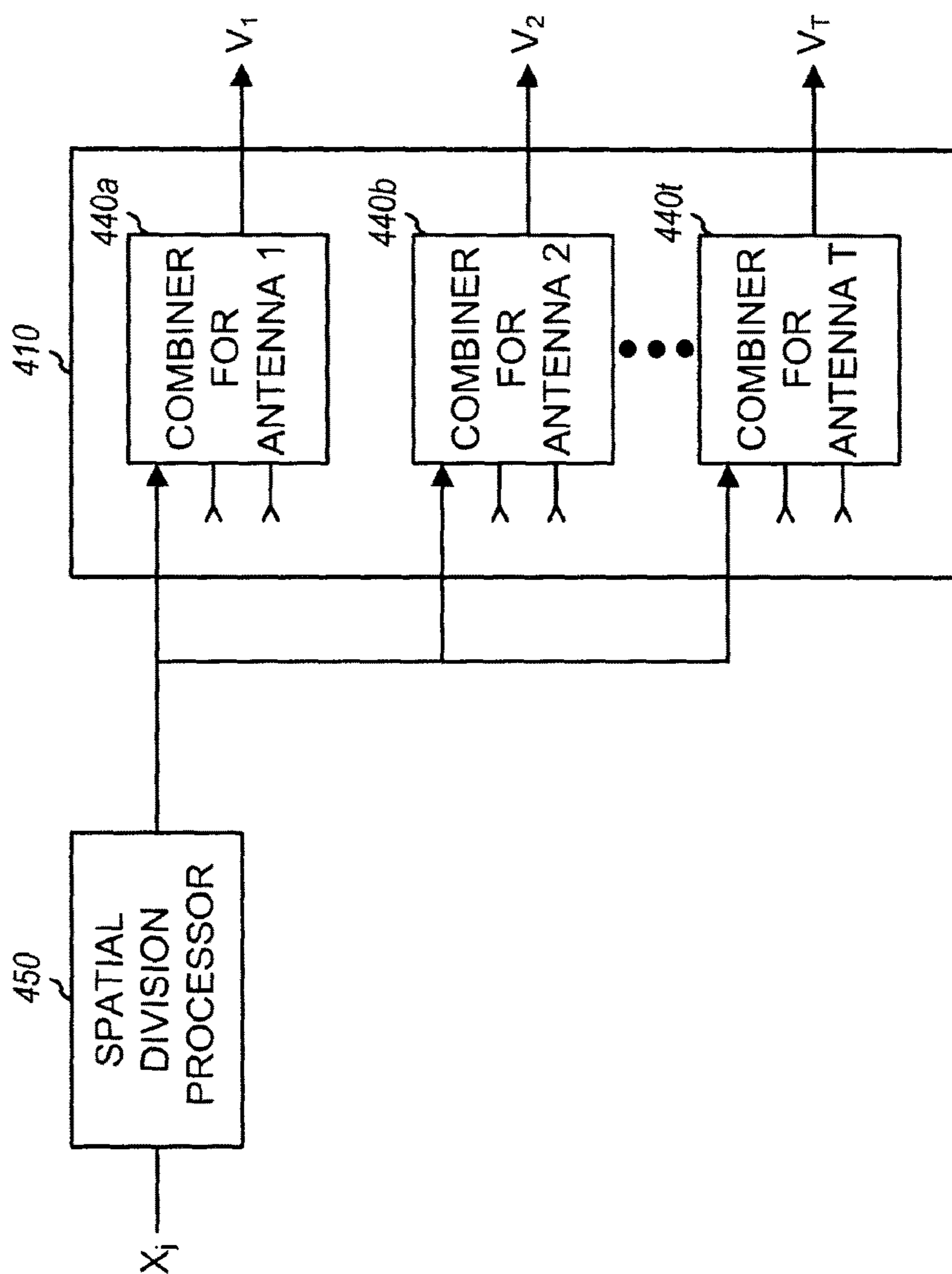


FIG. 4B



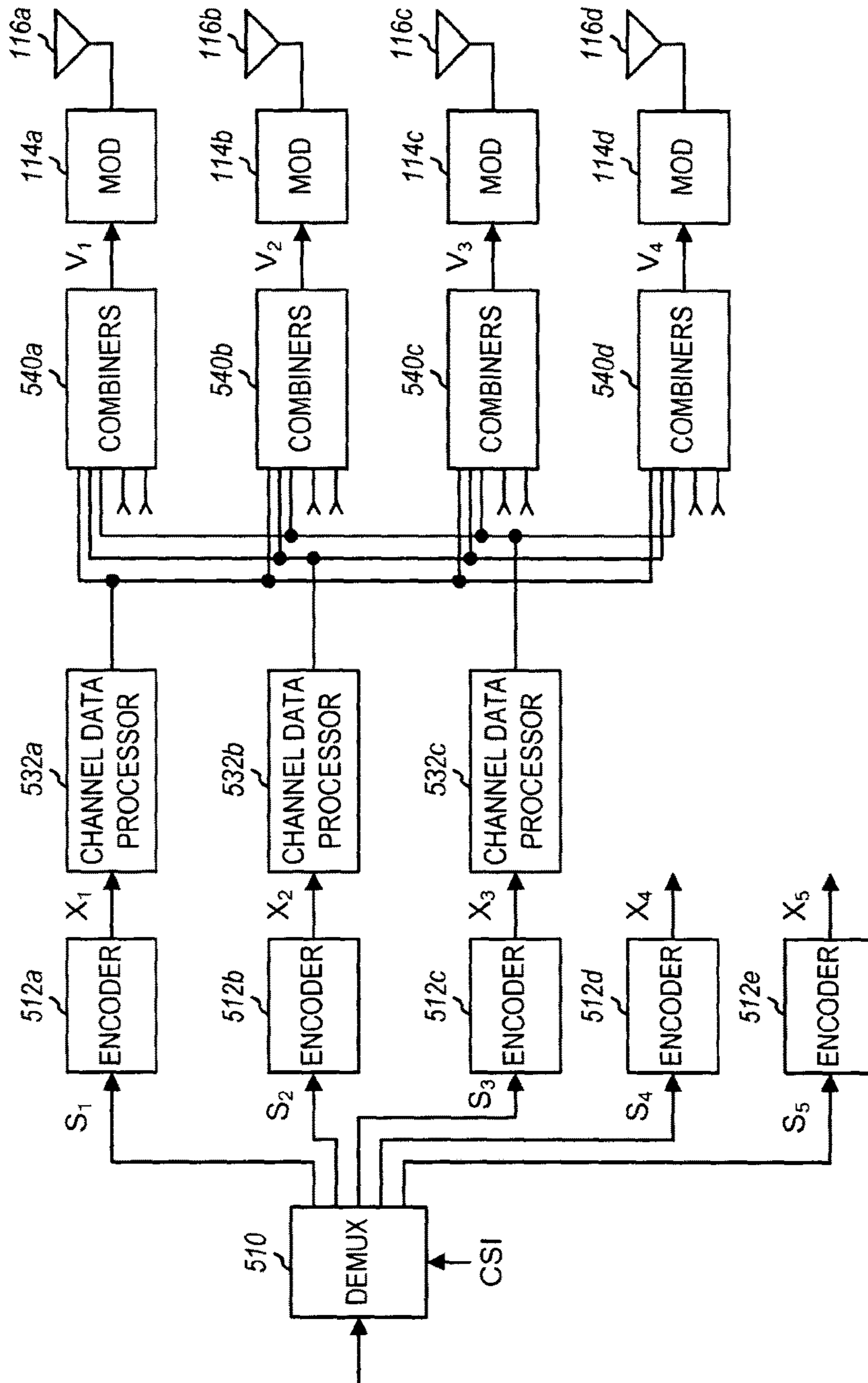


FIG. 5A

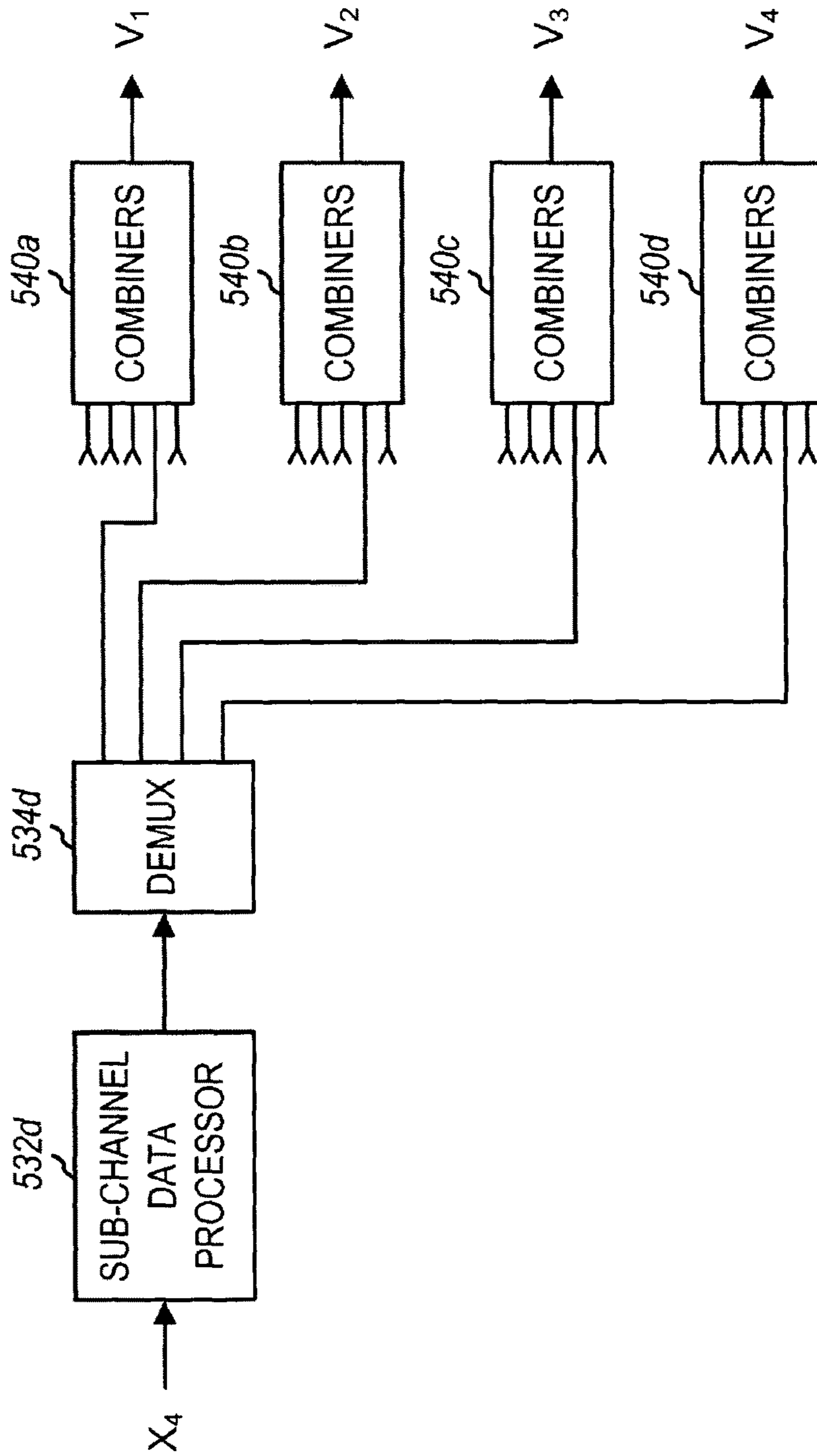


FIG. 5B

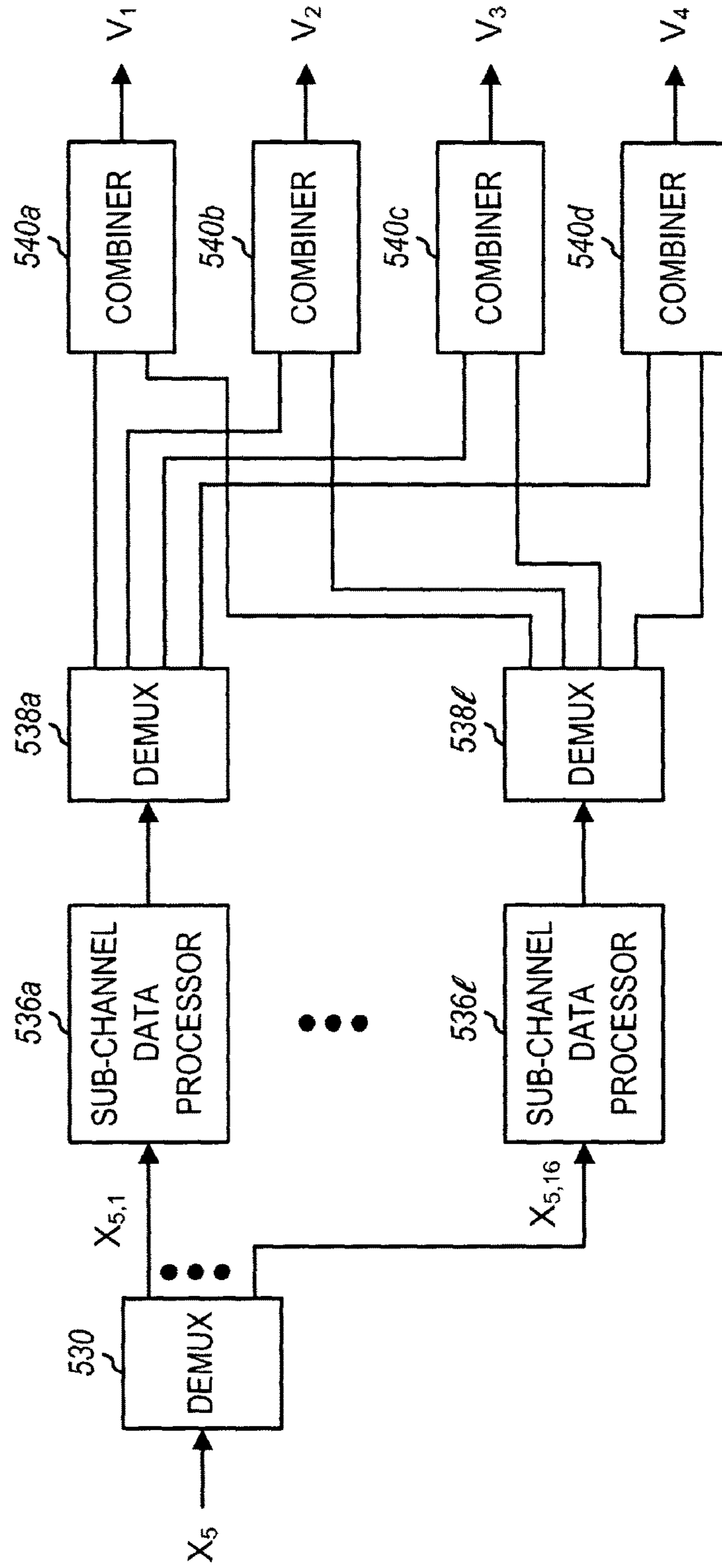


FIG. 5C

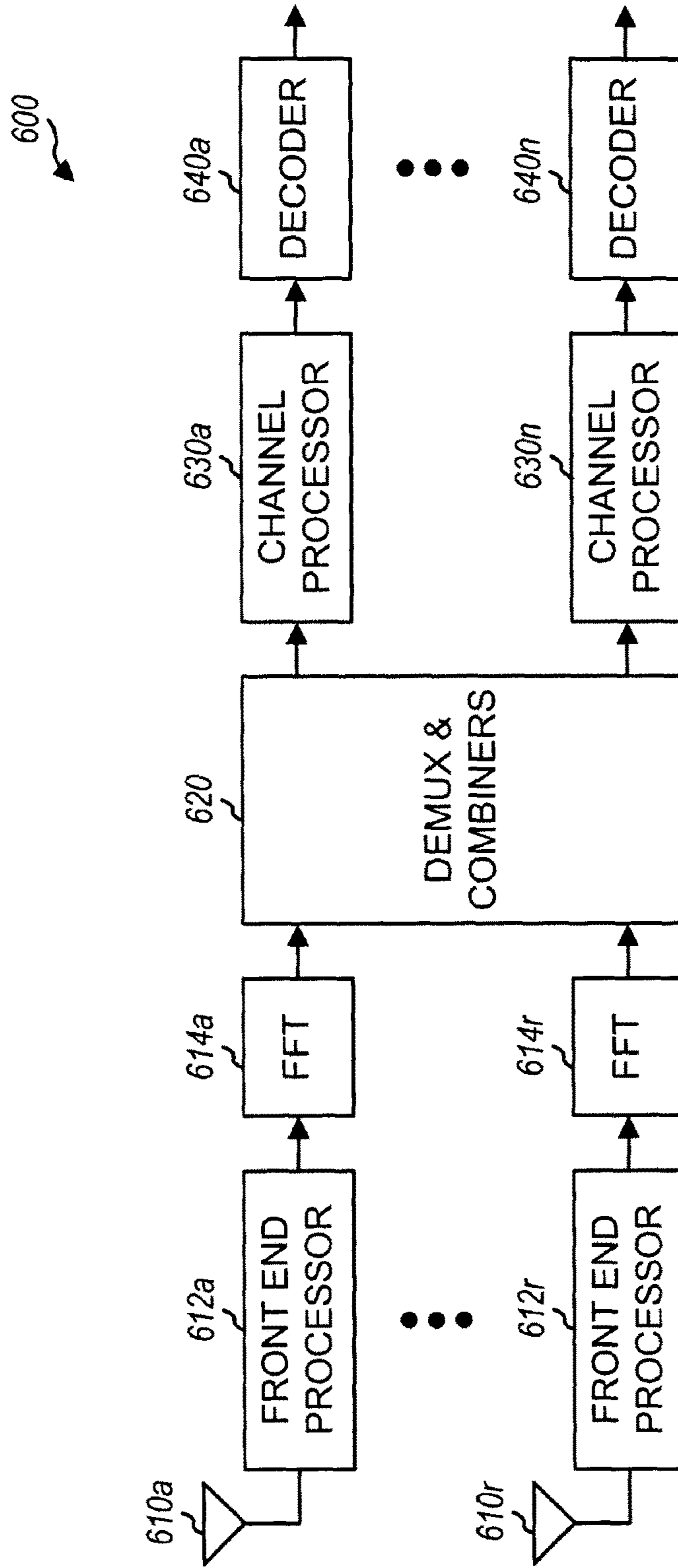


FIG. 6

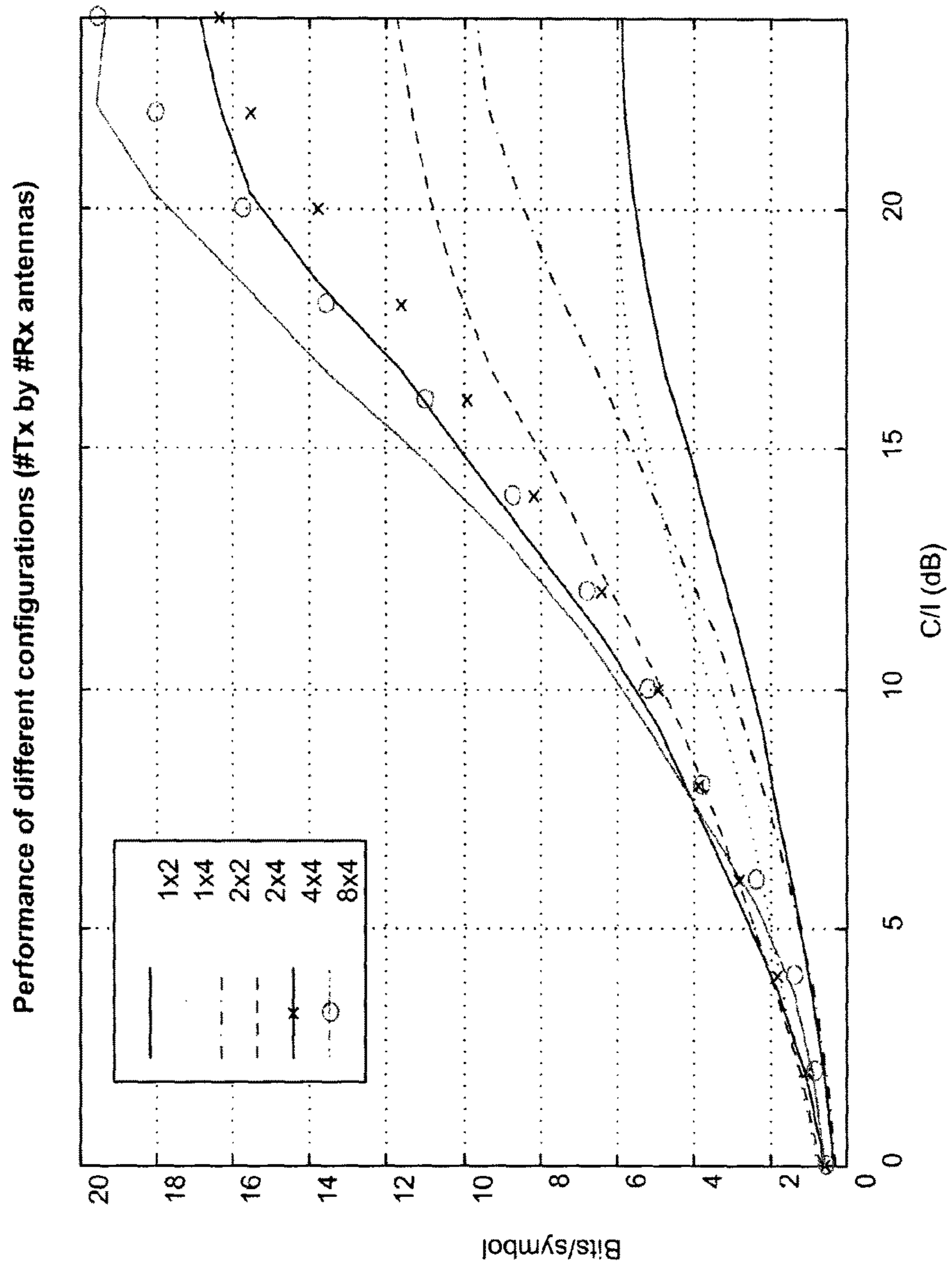


FIG. 7

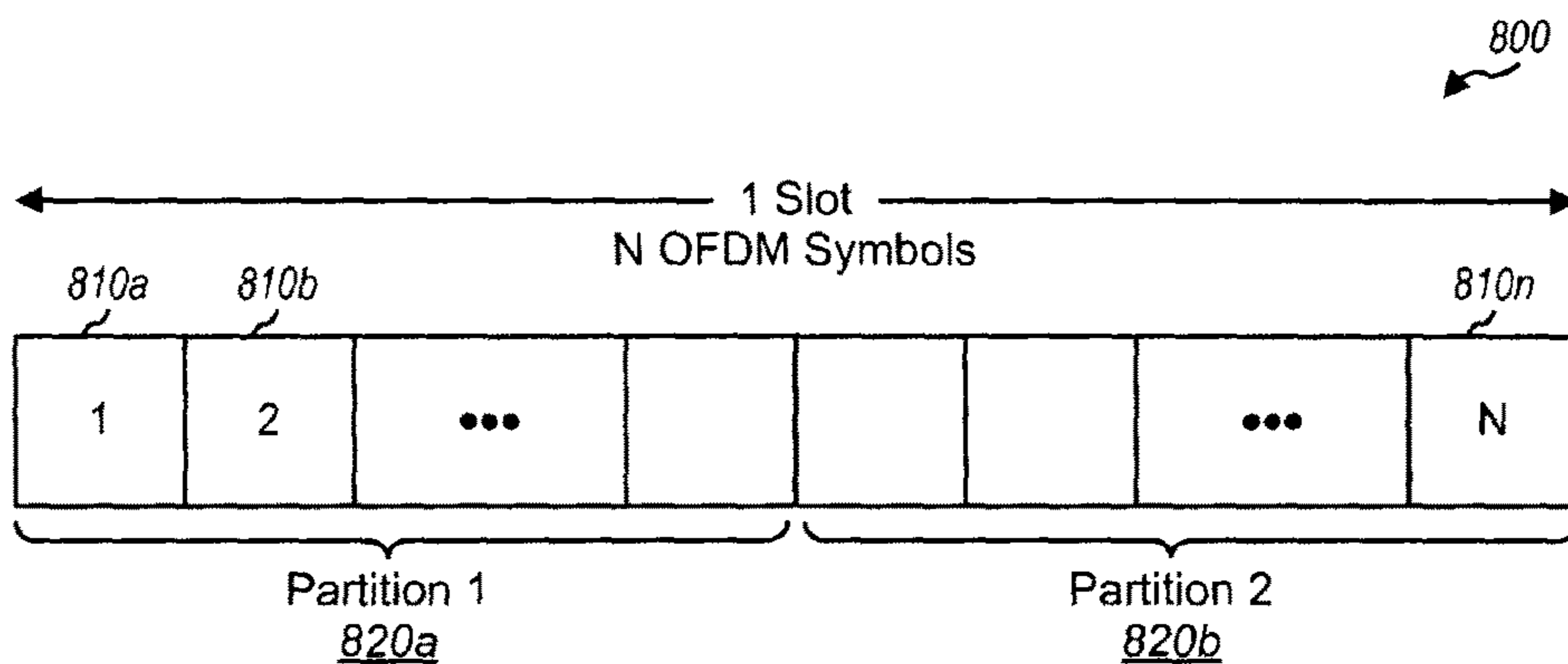


FIG. 8A

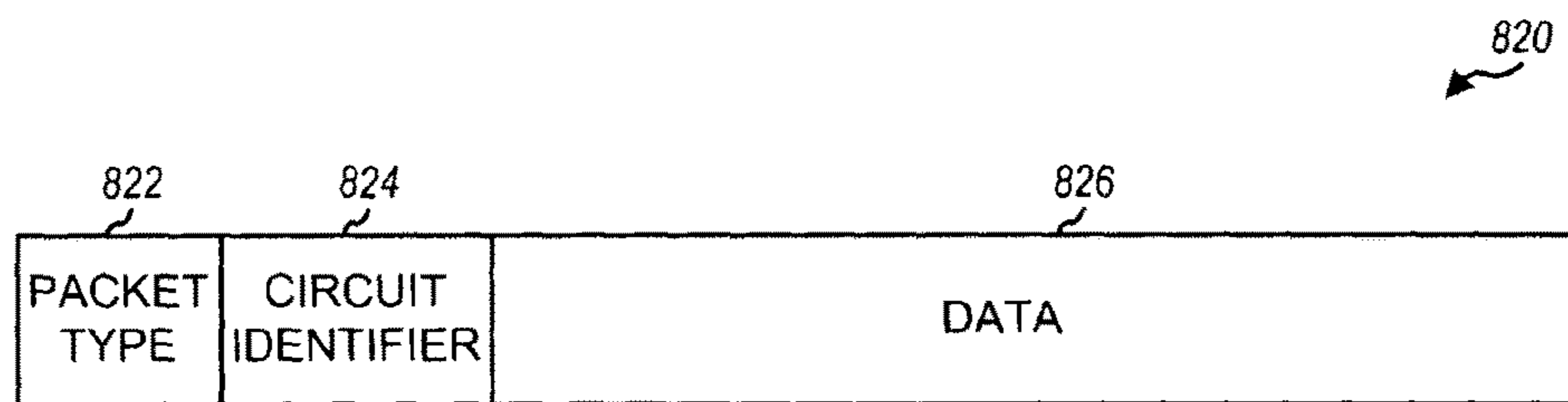


FIG. 8B

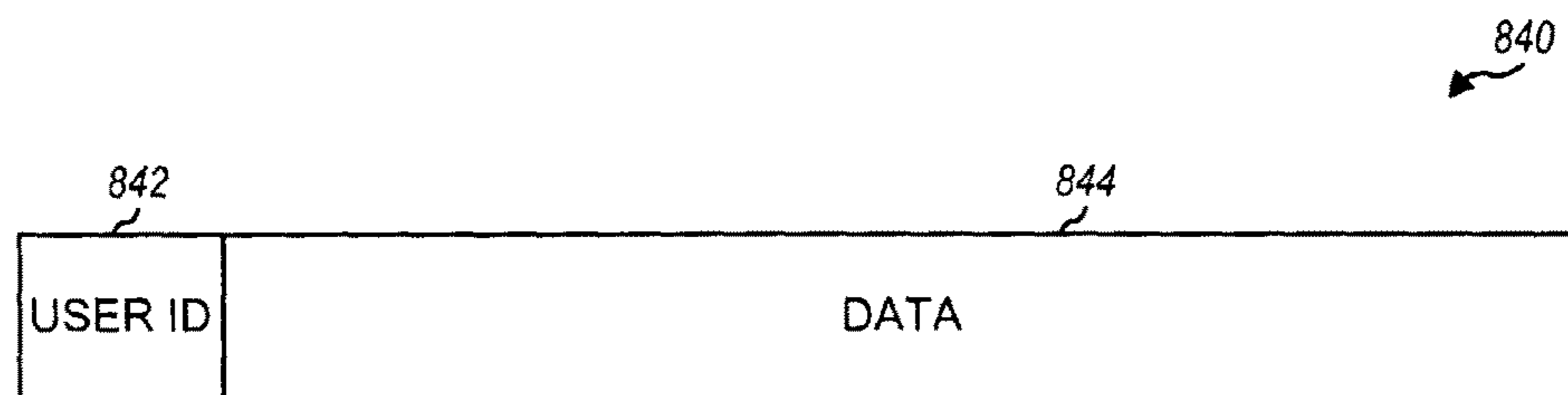


FIG. 8C

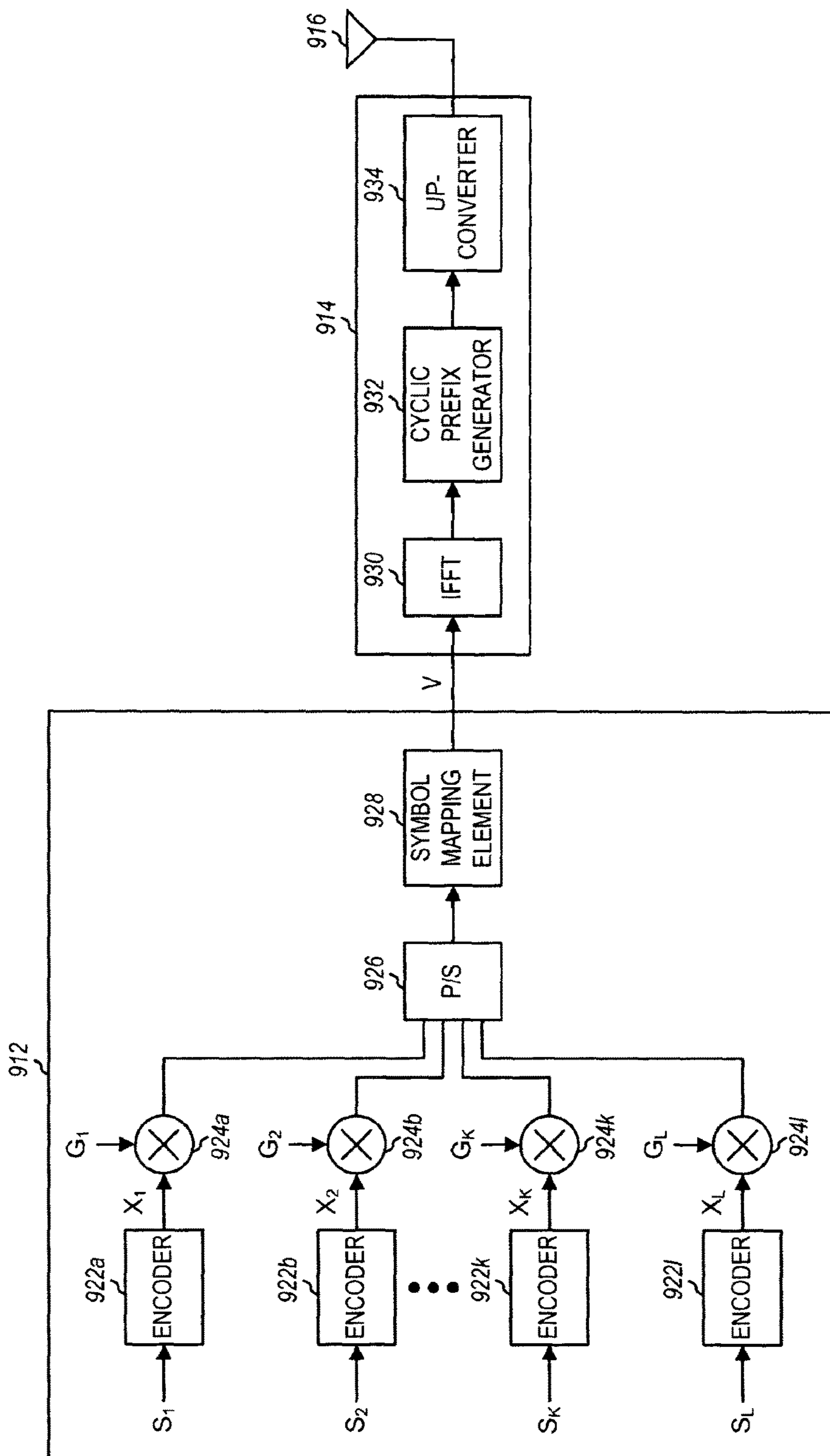


FIG. 9

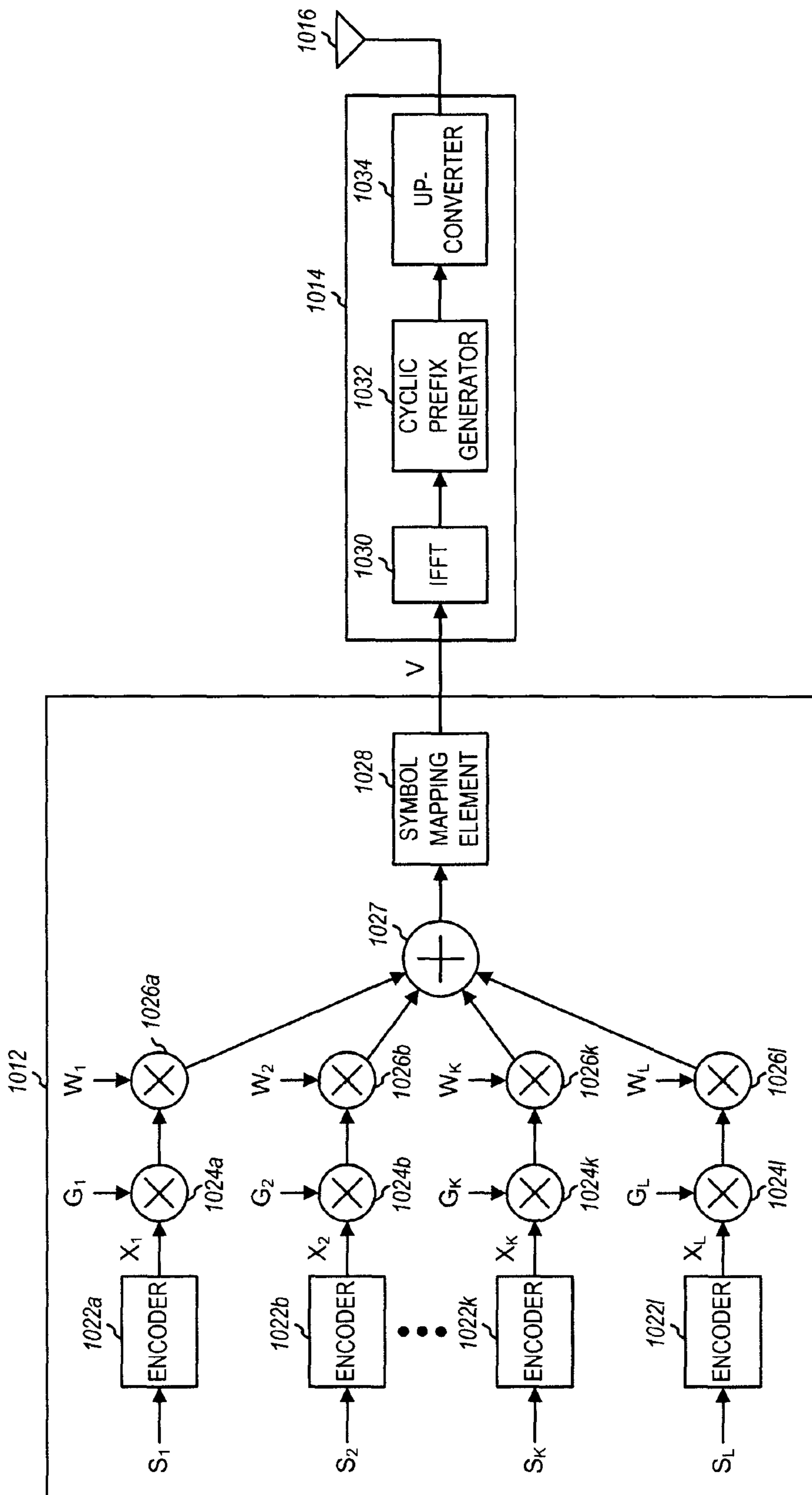


FIG. 10



**MULTIPLEXING OF REAL TIME SERVICES  
AND NON-REAL TIME SERVICES FOR  
OFDM SYSTEMS**

**Matter enclosed in heavy brackets [ ] appears in the original patent but forms no part of this reissue specification; matter printed in italics indicates the additions made by reissue; a claim printed with strikethrough indicates that the claim was canceled, disclaimed, or held invalid by a prior post-patent action or proceeding.**

CROSS REFERENCE TO RELATED  
APPLICATIONS

This application is a continuation of U.S. patent application Ser. No. 11/165,451, entitled "MULTIPLEXING OF REAL TIME SERVICES AND NON-REAL TIME SERVICES FOR OFDM SYSTEMS", filed Jun. 23, 2005, now U.S. Pat. No. 7,751,492, issued Jul. 6, 2010, which is a continuation of U.S. patent application Ser. No. 09/614,970, entitled "MULTIPLEXING OF REAL TIME SERVICES AND NON-REAL TIME SERVICES FOR OFDM SYSTEMS", filed Jul. 12, 2000, now U.S. Pat. No. 6,952,454, issued Oct. 4, 2005, which is a continuation-in-part of U.S. patent application Ser. No. 09/532,492, entitled "HIGH EFFICIENCY, HIGH PERFORMANCE COMMUNICATIONS SYSTEM EMPLOYING MULTI-CARRIER MODULATION," filed Mar. 22, 2000, abandoned, and U.S. patent application Ser. No. 09/539,224, entitled "METHOD AND APPARATUS FOR MEASURING AND REPORTING CHANNEL STATE INFORMATION IN A HIGH EFFICIENCY, HIGH PERFORMANCE COMMUNICATIONS SYSTEM," filed Mar. 30, 2000, now U.S. Pat. No. 6,473,467, issued Oct. 29, 2002, which are incorporated herein by reference in their entirety for all purposes.

BACKGROUND OF THE INVENTION

I. Field of the Invention

The present invention relates to data communication. More particularly, the present invention relates to a novel and improved communications system employing multi-carrier modulation and having high efficiency, improved performance, and enhanced flexibility.

II. Description of the Related Art

A modern day communications system is required to support a variety of applications. One such communications system is a code division multiple access (CDMA) system that conforms to the "TIA/EIA/IS-95 Mobile Station-Base Station Compatibility Standard for Dual-Mode Wideband Spread Spectrum Cellular System," hereinafter referred to as the IS-95 standard. The CDMA system supports voice and data communication between users over a terrestrial link. The use of CDMA techniques in a multiple access communication system is disclosed in U.S. Pat. No. 4,901,307, entitled "SPREAD SPECTRUM MULTIPLE ACCESS COMMUNICATION SYSTEM USING SATELLITE OR TERRESTRIAL REPEATERS," and U.S. Pat. No. 5,103,459, entitled "SYSTEM AND METHOD FOR GENERATING WAVEFORMS IN A CDMA CELLULAR TELEPHONE SYSTEM," both assigned to the assignee of the present invention and incorporated herein by reference.

An IS-95 compliant CDMA system is capable of supporting voice and data services over the forward and reverse communications links. Typically, each voice call or each traffic data transmission is assigned a dedicated channel

having a variable but limited data rate. In accordance with the IS-95 standard, the traffic or voice data is partitioned into code channel frames that are 20 msec in duration with data rates as high as 14.4 Kbps. The frames are then transmitted over the assigned channel. A method for transmitting traffic data in code channel frames of fixed size is described in U.S. Pat. No. 5,504,773, entitled "METHOD AND APPARATUS FOR THE FORMATTING OF DATA FOR TRANSMISSION," assigned to the assignee of the present invention and incorporated herein by reference.

A number of significant differences exist between the characteristics and requirements of voice and data services. One such difference is the fact that voice services impose stringent and fixed delay requirements whereas data services can usually tolerate variable amounts of delay. The overall one-way delay of speech frames is typically required to be less than 100 msec. In contrast, the delay for data frames is typically a variable parameter that can be advantageously used to optimize the overall efficiency of the data communications system.

The higher tolerance to delay allows traffic data to be aggregated and transmitted in bursts, which can provide a higher level of efficiency and performance. For example, data frames may employ more efficient error correcting coding techniques requiring longer delays that cannot be tolerated by voice frames. In contrast, voice frames may be limited to the use of less efficient coding techniques having shorter delays.

Another significant difference between voice and data services is that the former typically requires a fixed and common grade of service (GOS) for all users, which is usually not required or implemented for the latter. For digital communications systems providing voice services, this typically translates into a fixed and equal transmission rate for all users and a maximum tolerable value for the error rate of speech frames. In contrast, for data services, the GOS may be different from user to user and is also typically a parameter that can be advantageously optimized to increase the overall efficiency of the system. The GOS of a data communications system is typically defined as the total delay incurred in the transfer of a particular amount of data.

Yet another significant difference between voice and data services is that the former require a reliable communications link that, in a CDMA system, is provided by soft handoff. Soft handoff results in redundant transmissions from two or more base stations to improve reliability. However, this additional reliability may not be required for data transmission because data frames received in error may be retransmitted. For data services, the transmit power needed to support soft handoff may be more efficiently used for transmitting additional data.

Because of the significant differences noted above, it is a challenge to design a communications system capable of efficiently supporting both voice and data services. The IS-95 CDMA system is designed to efficiently transmit voice data, and is also capable of transmitting traffic data. The design of the channel structure and the data frame format pursuant to IS-95 have been optimized for voice data. A communications system based on IS-95 that is enhanced for data services is disclosed in U.S. patent application Ser. No. 08/963,386, now U.S. Pat. No. 6,574,211, entitled "METHOD AND APPARATUS FOR HIGH RATE PACKET DATA TRANSMISSION," filed Nov. 3, 1997, assigned to the assignee of the present invention and incorporated herein by reference.

Given the ever-growing demand for wireless voice and data communication, however a higher efficiency, higher

performance wireless communications system capable of supporting voice and data services is desirable.

#### SUMMARY OF THE INVENTION

The present invention provides a novel and improved communications system capable of supporting multiple types of services having different delay requirements. Such types of services may include, for example, "full duplex real time" (FDRT) services that require short one-way delay (e.g., voice), "half duplex real time" (HDRT) services that can tolerate longer one-way delay, as long as the delay does not vary by a large amount (e.g., video, audio), "non-real time" (NRT) services that are not quite as sensitive to delays (e.g., packet data), and others. Data for these different types of services can be efficiently transmitted using various mechanisms, some of which are described below.

An embodiment of the invention provides a transmitter unit for use in a multi-carrier (e.g., OFDM) communication system and configurable to support multiple types of services. The transmitter unit includes one or more encoders, a symbol mapping element, and a modulator. Each encoder receives and codes a respective channel data stream to generate a corresponding coded data stream. The symbol mapping element receives and maps data from the coded data streams to generate modulation symbol vectors, with each modulation symbol vector including a set of data values used to modulate a set of tones to generate an OFDM symbol. The data from each coded data stream is mapped to a respective set of one or more "circuits", with each circuit including a particular set of one or more tones. The modulator modulates the modulation symbol vectors to provide a modulated signal suitable for transmission. The transmitter unit can further include a set of scaling elements that scale the coded data streams with a set of scaling factors to provide power adjustment.

The modulator can include an inverse Fourier transform, a cyclic prefix generator, and an upconverter. The inverse Fourier transform receives the modulation symbol vectors and generates a time-domain representation of each modulation symbol vector to provide the corresponding OFDM symbol. The cyclic prefix generator repeats a portion of each OFDM symbol to generate a corresponding transmission symbol, and the upconverter modulates the transmission symbols to generate the modulated signal.

Each circuit can be defined to include a number of tones from a number of OFDM symbols (to provide temporal and frequency diversity), a number of tones from a single OFDM symbol, all tones from one or more OFDM symbols, or some other combination of tones. The circuits can have equal size or different sizes.

The data for each channel data stream can be transmitted in packets. Each packet can be defined to include various fields, depending on the particular implementation. In one implementation, each packet includes packet type identifier indicative of a change in the circuit to be used to transmit the next packet, a circuit identifier indicative of a particular circuit to be used to transmit the next packet, and a data field for the payload. In another implementation, each packet includes a user identifier indicative of an intended recipient of the packet and a data field for the payload.

The channel data streams can be transmitted over slots, with each slot including a number of OFDM symbols. Each slot can be further divided into two or more partitions, with each partition including one or more OFDM symbols and used to support one or more types of service. For example, one partition of each slot can be used to support full duplex

real time services having a short delay requirements and another partition of each slot can be used to support half duplex real time and/or non-real time services having more relaxed delay requirements.

For improved efficiency, full rate data for a particular channel data stream can be transmitted via a first circuit and lower rate data can be transmitted via a second circuit. The second circuit can be transmitted every X number of slots ( $X > 1$ ) or can be a lower capacity circuit. An indication to use a new circuit can be sent in a field of the packet transmitted on the current circuit or can be sent via a control channel. The new circuit may be utilized after receiving an acknowledgment of the receipt of such indication to use the new circuit.

In another specific implementation, the transmitter unit includes one or more cover elements coupled to the respective encoders. Each cover element receives and covers a respective coded data stream with a particular Walsh sequence assigned to that coded data stream to generate a corresponding covered data stream. The scaling elements then scale the covered data streams with respective scaling factors to generate scaled data streams. A summer receives and sums the scaled data streams to provide a combined data stream that is then provided to the modulator. Each Walsh sequence can be transmitted over multiple tones of each of the OFDM symbols used for the Walsh sequence. Also, the length of the Walsh sequence can be matched to the number of tones in each OFDM symbol. For example, Walsh sequences of length 128 can be used for OFDM symbols having 128 tones, and the 128 chips of each Walsh sequence can be transmitted on the 128 tones of one OFDM symbol.

Another embodiment of the invention provides a method for generating and transmitting a modulated signal capable of supporting multiple types of services. In accordance with the method, one or more channel data streams are received, and each channel data stream is coded with a particular coding scheme to generate a corresponding coded data stream. The data from the coded data streams are mapped to generate modulation symbol vectors, with each modulation symbol vector including a number of data values used to modulate a number of tones to generate an OFDM symbol. The data from each coded data stream is mapped to a respective set of one or more circuits, with each circuit including a respective set of one or more tones. The coded data streams can be scaled with respective scaling factors to provide power adjustment. The modulation symbol vectors are then modulated to provide a modulated signal suitable for transmission.

To perform multi-carrier modulation, each modulation symbol vector is first transformed to a time-domain representation to provide a corresponding OFDM symbol. A portion of each OFDM symbol is then repeated to generate a corresponding transmission symbol, and the transmission symbols are further processed to generate the modulated signal.

The invention further provides a receiver unit capable of receiving and processing the modulated signal generated in the manner described above.

#### BRIEF DESCRIPTION OF THE DRAWINGS

The features, nature, and advantages of the present invention will become more apparent from the detailed description set forth below when taken in conjunction with the drawings in which like reference characters identify correspondingly throughout and wherein:

## 5

FIG. 1 is a diagram of a multiple-input multiple-output (MIMO) communications system;

FIG. 2 is a diagram that graphically illustrates a specific example of a transmission from a transmit antenna at a transmitter unit;

FIG. 3 is a block diagram of an embodiment of a data processor and a modulator of the communications system shown in FIG. 1;

FIGS. 4A and 4B are block diagrams of two embodiments of a channel data processor that can be used for processing one channel data stream such as control, broadcast, voice, or traffic data;

FIGS. 5A through 5C are block diagrams of an embodiment of the processing units that can be used to generate the transmit signal shown in FIG. 2;

FIG. 6 is a block diagram of an embodiment of a receiver unit, having multiple receive antennas, which can be used to receive one or more channel data streams;

FIG. 7 shows plots that illustrate the spectral efficiency achievable with some of the operating modes of a communications system in accordance with one embodiment;

FIG. 8A is a diagram of an embodiment of a structure that can be used to transmit various types of services;

FIGS. 8B and 8C are diagrams of a specific embodiment of two packet structures that can be used for transmitting data;

FIG. 9 is a block diagram of an embodiment of a data processor and a modulator that can be used to multiplex multiple users on orthogonal OFDM tones; and

FIG. 10 is a block diagram of an embodiment of a data processor and a modulator that can be used to multiplex multiple users on the same OFDM tones using orthogonal (e.g., Walsh) codes.

#### DETAILED DESCRIPTION OF THE SPECIFIC EMBODIMENTS

FIG. 1 is a diagram of a multiple-input multiple-output (MIMO) communications system 100 capable of implementing some embodiments of the invention. Communications system 100 can be operative to provide a combination of antenna, frequency, and temporal diversity to increase spectral efficiency, improve performance, and enhance flexibility. Increased spectral efficiency is characterized by the ability to transmit more bits per second per Hertz (bps/Hz) when and where possible to better utilize the available system bandwidth. Techniques to obtain higher spectral efficiency are described in further detail below. Improved performance may be quantified, for example, by a lower bit-error-rate (BER) or frame-error-rate (FER) for a given link carrier-to-noise-plus-interference ratio (C/I). And enhanced flexibility is characterized by the ability to accommodate multiple users having different and typically disparate requirements. These goals may be achieved, in part, by employing multi-carrier modulation, time division multiplexing (TDM), multiple transmit and/or receive antennas, and other techniques. The features, aspects, and advantages of the invention are described in further detail below.

As shown in FIG. 1, communications system 100 includes a first system 110 in communication with a second system 120. System 110 includes a (transmit) data processor 112 that (1) receives or generates data, (2) processes the data to provide antenna, frequency, or temporal diversity, or a combination thereof, and (3) provides processed modulation symbols to a number of modulators (MOD) 114a through 114t. Each modulator 114 further processes the modulation symbols and generates an RF modulated signal suitable for

## 6

transmission. The RF modulated signals from modulators 114a through 114t are then transmitted from respective antennas 116a through 116t over communications links 118 to system 120.

In the embodiment shown in FIG. 1, system 120 includes a number of receive antennas 122a through 122r that receive the transmitted signals and provide the received signals to respective demodulators (DEMODO) 124a through 124r. As shown in FIG. 1, each receive antenna 122 may receive signals from one or more transmit antennas 116 depending on a number of factors such as, for example, the operating mode used at system 110, the directivity of the transmit and receive antennas, the characteristics of the communications links, and others. Each demodulator 124 demodulates the respective received signal using a demodulation scheme that is complementary to the modulation scheme used at the transmitter. The demodulated symbols from demodulators 124a through 124r are then provided to a (receive) data processor 126 that further processes the symbols to provide the output data. The data processing at the transmitter and receiver units is described in further detail below.

FIG. 1 shows only the forward link transmission from system 110 to system 120. This configuration may be used for data broadcast and other one-way data transmission applications. In a bi-directional communications system, a reverse link from system 120 to system 110 is also provided, although not shown in FIG. 1 for simplicity. For the bi-directional communications system, each of systems 110 and 120 may operate as a transmitter unit or a receiver unit, or both concurrently, depending on whether data is being transmitted from, or received at, the unit.

For simplicity, communications system 100 is shown to include one transmitter unit (i.e., system 110) and one receiver unit (i.e., system 120). However, other variations and configurations of the communications system are possible. For example, in a multi-user, multiple access communications system, a single transmitter unit may be used to concurrently transmit data to a number of receiver units. Also, in a manner similar to soft-handoff in an IS-95 CDMA system, a receiver unit may concurrently receive transmissions from a number of transmitter units. The communications system of the invention may include any number of transmitter and receiver units.

Each transmitter unit may include a single transmit antenna or a number of transmit antennas, such as that shown in FIG. 1. Similarly, each receiver unit may include a single receive antenna or a number of receive antennas, again such as that shown in FIG. 1. For example, the communications system may include a central system (i.e., similar to a base station in the IS-95 CDMA system) having a number of antennas that transmit data to, and receive data from, a number of remote systems (i.e., subscriber units, similar to remote stations in the CDMA system), some of which may include one antenna and others of which may include multiple antennas. Generally, as the number of transmit and receive antennas increases, antenna diversity increases and performance improves, as described below.

As used herein, an antenna refers to a collection of one or more antenna elements that are distributed in space. The antenna elements may be physically located at a single site or distributed over multiple sites. Antenna elements physically co-located at a single site may be operated as an antenna array (e.g., such as for a CDMA base station). An antenna network consists of a collection of antenna arrays or elements that are physically separated (e.g., several CDMA base stations). An antenna array or an antenna network may be designed with the ability to form beams and to transmit

multiple beams from the antenna array or network. For example, a CDMA base station may be designed with the capability to transmit up to three beams to three different sections of a coverage area (or sectors) from the same antenna array. Thus, the three beams may be viewed as three transmissions from three antennas.

The communications system of the invention can be designed to provide a multi-user, multiple access communications scheme capable of supporting subscriber units having different requirements as well as capabilities. The scheme allows the system's total operating bandwidth,  $W$ , (e.g., 1.2288 MHz) to be efficiently shared among different types of services that may have highly disparate data rate, delay, and quality of service (QOS) requirements.

Examples of such disparate types of services include voice services and data services. Voice services are typically characterized by a low data rate (e.g., 8 kbps to 32 kbps), short processing delay (e.g., 3 msec to 100 msec overall one-way delay), and sustained use of a communications channel for an extended period of time. The short delay requirements imposed by voice services typically require a small fraction of the system resources to be dedicated to each voice call for the duration of the call. In contrast, data services are characterized by "bursty" traffics in which variable amounts of data are sent at sporadic times. The amount of data can vary significantly from burst-to-burst and from user-to-user. For high efficiency, the communications system of the invention can be designed with the capability to allocate a portion of the available resources to voice services as required and the remaining resources to data services. In some embodiments of the invention, a fraction of the available system resources may also be dedicated for certain data services or certain types of data services.

The distribution of data rates achievable by each subscriber unit can vary widely between some minimum and maximum instantaneous values (e.g., from 200 kbps to over 20 Mbps). The achievable data rate for a particular subscriber unit at any given moment may be influenced by a number of factors such as the amount of available transmit power, the quality of the communications link (i.e., the  $C/I$ ), the coding scheme, and others. The data rate requirement of each subscriber unit may also vary widely between a minimum value (e.g., 8 kbps, for a voice call) all the way up to the maximum supported instantaneous peak rate (e.g., 20 Mbps for bursty data services).

The percentage of voice and data traffic is typically a random variable that changes over time. In accordance with certain aspects of the invention, to efficiently support both types of services concurrently, the communications system of the invention is designed with the capability to dynamically allocate the available resources based on the amount of voice and data traffic. A scheme to dynamically allocate resources is described below. Another scheme to allocate resources is described in the aforementioned U.S. patent application Ser. No. 08/963,386.

The communications system of the invention provides the above-described features and advantages, and is capable of supporting different types of services having disparate requirements. The features are achieved by employing antenna, frequency, or temporal diversity, or a combination thereof. In some embodiments of the invention, antenna, frequency, or temporal diversity can be independently achieved and dynamically selected.

As used herein, antenna diversity refers to the transmission and/or reception of data over more than one antenna, frequency diversity refers to the transmission of data over

more than one sub-band, and temporal diversity refers to the transmission of data over more than one time period. Antenna, frequency, and temporal diversity may include subcategories. For example, transmit diversity refers to the use of more than one transmit antenna in a manner to improve the reliability of the communications link, receive diversity refers to the use of more than one receive antenna in a manner to improve the reliability of the communications link, and spatial diversity refers to the use of multiple transmit and receive antennas to improve the reliability and/or increase the capacity of the communications link. Transmit and receive diversity can also be used in combination to improve the reliability of the communications link without increasing the link capacity. Various combinations of antenna, frequency, and temporal diversity can thus be achieved and are within the scope of the present invention.

Frequency diversity can be provided by use of a multi-carrier modulation scheme such as orthogonal frequency division multiplexing (OFDM), which allows for transmission of data over various sub-bands of the operating bandwidth. Temporal diversity is achieved by transmitting the data over different times, which can be more easily accomplished with the use of time-division multiplexing (TDM). These various aspects of the communications system of the invention are described in further detail below.

In accordance with an aspect of the invention, antenna diversity is achieved by employing a number of ( $N_T$ ) transmit antennas at the transmitter unit or a number of ( $N_R$ ) receive antennas at the receiver unit, or multiple antennas at both the transmitter and receiver units. In a terrestrial communications system (e.g., a cellular system, a broadcast system, an MMDS system, and others), an RF modulated signal from a transmitter unit may reach the receiver unit via a number of transmission paths. The characteristics of the transmission paths typically vary over time based on a number of factors. If more than one transmit or receive antenna is used, and if the transmission paths between the transmit and receive antennas are independent (i.e., uncorrelated), which is generally true to at least an extent, then the likelihood of correctly receiving the transmitted signal increases as the number of antennas increases. Generally, as the number of transmit and receive antennas increases, diversity increases and performance improves.

In some embodiments of the invention, antenna diversity is dynamically provided based on the characteristics of the communications link to provide the required performance. For example, higher degree of antenna diversity can be provided for some types of communication (e.g., signaling), for some types of services (e.g., voice), for some communications link characteristics (e.g., low  $C/I$ ), or for some other conditions or considerations.

As used herein, antenna diversity includes transmit diversity and receive diversity. For transmit diversity, data is transmitted over multiple transmit antennas. Typically, additional processing is performed on the data transmitted from the transmit antennas to achieved the desired diversity. For example, the data transmitted from different transmit antennas may be delayed or reordered in time, or coded and interleaved across the available transmit antennas. Also, frequency and temporal diversity may be used in conjunction with the different transmit antennas. For receive diversity, modulated signals are received on multiple receive antennas, and diversity is achieved by simply receiving the signals via different transmission paths.

In accordance with another aspect of the invention, frequency diversity can be achieved by employing a multi-carrier modulation scheme. One such scheme that has

numerous advantages is OFDM. With OFDM modulation, the overall transmission channel is essentially divided into a number of (L) parallel sub-channels that are used to transmit the same or different data. The overall transmission channel occupies the total operating bandwidth of W, and each of the sub-channels occupies a sub-band having a bandwidth of W/L and centered at a different center frequency. Each sub-channel has a bandwidth that is a portion of the total operating bandwidth. Each of the sub-channels may also be considered an independent data transmission channel that may be associated with a particular (and possibly unique) processing, coding, and modulation scheme, as described below.

The data may be partitioned and transmitted over any defined set of two or more sub-bands to provide frequency diversity. For example, the transmission to a particular subscriber unit may occur over sub-channel 1 at time slot 1, sub-channel 5 at time slot 2, sub-channel 2 at time slot 3, and so on. As another example, data for a particular subscriber unit may be transmitted over sub-channels 1 and 2 at time slot 1 (e.g., with the same data being transmitted on both sub-channels) sub-channels 4 and 6 at time slot 2, only sub-channel 2 at time slot 3, and so on. Transmission of data over different sub-channels over time can improve the performance of a communications system experiencing frequency selective fading and channel distortion. Other benefits of OFDM modulation are described below.

In accordance with yet another aspect of the invention, temporal diversity is achieved by transmitting data at different times, which can be more easily accomplished using time division multiplexing (TDM). For data services (and possibly for voice services), data transmission occurs over time slots that may be selected to provide immunity to time dependent degradation in the communications link. Temporal diversity may also be achieved through the use of interleaving.

For example, the transmission to a particular subscriber unit may occur over time slots 1 through x, or on a subset of the possible time slots from 1 through x (e.g., time slots 1, 5, 8, and so on). The amount of data transmitted at each time slot may be variable or fixed. Transmission over multiple time slots improves the likelihood of correct data reception due to, for example, impulse noise and interference.

The combination of antenna, frequency, and temporal diversity allows the communications system of the invention to provide robust performance. Antenna, frequency, and/or temporal diversity improves the likelihood of correct reception of at least some of the transmitted data, which may then be used (e.g., through decoding) to correct for some errors that may have occurred in the other transmissions. The combination of antenna, frequency, and temporal diversity also allows the communications system to concurrently accommodate different types of services having disparate data rate, processing delay, and quality of service requirements.

The communications system of the invention can be designed and operated in a number of different communications modes, with each communications mode employing antenna, frequency, or temporal diversity, or a combination thereof. The communications modes include, for example, a diversity communications mode and a MIMO communications mode. Various combinations of the diversity and MIMO communications modes can also be supported by the communications system. Also, other communications modes can be implemented and are within the scope of the present invention.

The diversity communications mode employs transmit and/or receive diversity, frequency, or temporal diversity, or a combination thereof, and is generally used to improve the reliability of the communications link. In one implementation of the diversity communications mode, the transmitter unit selects a modulation and coding scheme (i.e., configuration) from a finite set of possible configurations, which are known to the receiver units. For example, each overhead and common channel may be associated with a particular configuration that is known to all receiver units. When using the diversity communications mode for a specific user (e.g., for a voice call or a data transmission), the mode and/or configuration may be known a priori (e.g., from a previous set up) or negotiated (e.g., via a common channel) by the receiver unit.

In the diversity communications mode, data is transmitted on one or more sub-channels, from one or more antennas, and at one or more time periods. The allocated sub-channels may be associated with the same antenna, or may be sub-channels associated with different antennas. In a common application of the diversity communications mode, which is also referred to as a "pure" diversity communications mode, data is transmitted from all available transmit antennas to the destination receiver unit. The pure diversity communications mode can be used in instances where the data rate requirements are low or when the C/I is low, or when both are true.

The MIMO communications mode employs antenna diversity at both ends of the communication link and is generally used to improve both the reliability and increase the capacity of the communications link. The MIMO communications mode may further employ frequency and/or temporal diversity in combination with the antenna diversity. The MIMO communications mode, which may also be referred to herein as the spatial communications mode, employs one or more processing modes to be described below.

The diversity communications mode generally has lower spectral efficiency than the MIMO communications mode, especially at high C/I levels. However, at low to moderate C/I values, the diversity communications mode achieves comparable efficiency and can be simpler to implement. In general, the use of the MIMO communications mode provides greater spectral efficiency when used, particularly at moderate to high C/I values. The MIMO communications mode may thus be advantageously used when the data rate requirements are moderate to high.

The communications system can be designed to concurrently support both diversity and MIMO communications modes. The communications modes can be applied in various manners and, for increased flexibility, may be applied independently on a sub-channel basis. The MIMO communications mode is typically applied to specific users. However, each communications mode may be applied on each sub-channel independently, across a subset of sub-channels, across all sub-channels, or on some other basis. For example, the use of the MIMO communications mode may be applied to a specific user (e.g., a data user) and, concurrently, the use of the diversity communications mode may be applied to another specific user (e.g., a voice user) on a different sub-channel. The diversity communications mode may also be applied, for example, on sub-channels experiencing higher path loss.

The communications system of the invention can also be designed to support a number of processing modes. When the transmitter unit is provided with information indicative of the conditions (i.e., the "state") of the communications

## 11

links, additional processing can be performed at the transmitter unit to further improve performance and increase efficiency. Full channel state information (CSI) or partial CSI may be available to the transmitter unit. Full CSI includes sufficient characterization of the propagation path (i.e., amplitude and phase) between all pairs of transmit and receive antennas for each sub-band. Full CSI also includes the C/I per sub-band. The full CSI may be embodied in a set of matrices of complex gain values that are descriptive of the conditions of the transmission paths from the transmit antennas to the receive antennas, as described below. Partial CSI may include, for example, the C/I of the sub-band. With full CSI or partial CSI, the transmitter unit pre-conditions the data prior to transmission to receiver unit.

In a specific implementation of the full-CSI processing mode, the transmitter unit preconditions the signals presented to the transmit antennas in a way that is unique to a specific receiver unit (e.g., the pre-conditioning is performed for each sub-band assigned to that receiver unit). As long as the channel does not change appreciably from the time it is measured by the receiver unit and subsequently sent back to the transmitter and used to precondition the transmission, the intended receiver unit can demodulate the transmission. In this implementation, a full-CSI based MIMO communication can only be demodulated by the receiver unit associated with the CSI used to precondition the transmitted signals.

In a specific implementation of the partial-CSI or no-CSI processing modes, the transmitter unit employs a common modulation and coding scheme (e.g., on each data channel transmission), which then can be (in theory) demodulated by all receiver units. In an implementation of the partial-CSI processing mode, a single receiver unit can specify its C/I, and the modulation employed on all antennas can be selected accordingly (e.g., for reliable transmission) for that receiver unit. Other receiver units can attempt to demodulate the transmission and, if they have adequate C/I, may be able to successfully recover the transmission. A common (e.g., broadcast) channel can use a no-CSI processing mode to reach all users.

The full-CSI processing is briefly described below. When the CSI is available at the transmitter unit, a simple approach is to decompose the multi-input multi-output channel into a set of independent channels. Given the channel transfer function at the transmitters, the left eigenvectors may be used to transmit different data streams. The modulation alphabet used with each eigenvector is determined by the available C/I of that mode, given by the eigenvalues. If  $H$  is the  $N_R \times N_T$  matrix that gives the channel response for the  $N_T$  transmitter antenna elements and  $N_R$  receiver antenna elements at a specific time, and  $\underline{x}$  is the  $N_T$ -vector of inputs to the channel, then the received signal can be expressed as:

$$\underline{y} = H\underline{x} + n,$$

where  $n$  is an  $N_R$ -vector representing noise plus interference. The eigenvector decomposition of the Hermitian matrix formed by the product of the channel matrix with its conjugate-transpose can be expressed as:

$$H^*H = E\Lambda E^*,$$

where the symbol  $*$  denotes conjugate-transpose,  $E$  is the eigenvector matrix, and  $\Lambda$  is a diagonal matrix of eigenvalues, both of dimension  $N_T \times N_T$ . The transmitter converts a set of  $N_T$  modulation symbols  $\underline{b}$  using the eigenvector matrix

## 12

$E$ . The transmitted modulation symbols from the  $N_T$  transmit antennas can thus be expressed as:

$$\underline{x} = E\underline{b}.$$

For all antennas, the pre-conditioning can thus be achieved by a matrix multiply operation expressed as:

$$\begin{bmatrix} x_1 \\ x_2 \\ \vdots \\ x_{N_T} \end{bmatrix} = \begin{bmatrix} e_{11} & e_{12} & \dots & e_{1N_T} \\ e_{21} & e_{22} & \dots & e_{2N_T} \\ \vdots & \vdots & \ddots & \vdots \\ e_{N_T1} & e_{N_T2} & \dots & e_{N_TN_T} \end{bmatrix} \begin{bmatrix} b_1 \\ b_2 \\ \vdots \\ b_{N_T} \end{bmatrix} \quad \text{Eq (1)}$$

where  $b_1, b_2, \dots$  and  $b_{N_T}$  are respectively the modulation symbols for a particular sub-channel at transmit antennas  $1, 2, \dots, N_T$ , where each modulation symbol can be generated using, for example, M-PSK, M-QAM, and so on, as described below;

$E$  is the eigenvector matrix related to the transmission loss from transmit antennas to the receive antennas; and

$x_1, x_2, \dots, x_{N_T}$  are the pre-conditioned modulation symbols, which can be expressed as:

$$x_1 = b_1 \cdot e_{11} + b_2 \cdot e_{12} + \dots + b_{N_T} \cdot e_{1N_T},$$

$$x_2 = b_1 \cdot e_{21} + b_2 \cdot e_{22} + \dots + b_{N_T} \cdot e_{2N_T}, \text{ and}$$

$$x_{N_T} = b_1 \cdot e_{N_T1} + b_2 \cdot e_{N_T2} + \dots + b_{N_T} \cdot e_{N_TN_T}.$$

Since  $H^*H$  is Hermitian, the eigenvector matrix is unitary. Thus, if the elements of  $\underline{b}$  have equal power, the elements of  $\underline{x}$  also have equal power. The received signal may then be expressed as:

$$\underline{y} = H E \underline{b} + n.$$

The receiver performs a channel-matched-filter operation, followed by multiplication by the right eigenvectors. The result of the channel-matched-filter operation is the vector  $\underline{z}$ , to which can be expressed as:

$$\underline{z} = E^* H^* H E \underline{b} + E^* H^* n = \Lambda \underline{b} + \hat{n}, \quad \text{Eq. (2)}$$

where the new noise term has covariance that can be expressed as:

$$E(\hat{n}\hat{n}^*) = E(E^* H^* \underline{m} \underline{m}^* H E) = E^* H^* H E = \Lambda,$$

i.e., the noise components are independent with variance given by the eigenvalues. The C/I of the  $i$ -th component of  $\underline{z}$  is  $\lambda_i$ , the  $i$ -th diagonal element of  $\Lambda$ .

The transmitter unit can thus select a modulation alphabet (i.e., signal constellation) for each of the eigenvectors based on the C/I that is given by the eigenvalue. Providing that the channel conditions do not change appreciably in the interval between the time the CSI is measured at the receiver and reported and used to precondition the transmission at the transmitter, the performance of the communications system will then be equivalent to that of a set of independent AWGN channels with known C/I's.

As an example, assume that the MIMO communications mode is applied to a channel data stream that is transmitted on one particular sub-channel from four transmit antennas. The channel data stream is demultiplexed into four data sub-streams, one data sub-stream for each transmit antenna. Each data sub-stream is then modulated using a particular modulation scheme (e.g., M-PSK, M-QAM, or other) selected based on the CSI for that sub-band and for that transmit antenna. Four modulation sub-streams are thus generated for the four data sub-streams, with each modula-

tion sub-streams including a stream of modulation symbols. The four modulation sub-streams are then pre-conditioned using the eigenvector matrix, as expressed above in equation (1), to generate pre-conditioned modulation symbols. The four streams of pre-conditioned modulation symbols are respectively provided to the four combiners of the four transmit antennas. Each combiner combines the received pre-conditioned modulation symbols with the modulation symbols for the other sub-channels to generate a modulation symbol vector stream for the associated transmit antenna.

The full-CSI based processing is typically employed in the MIMO communications mode where parallel data streams are transmitted to a specific user on each of the channel eigenmodes for the each of the allocated sub-channels. Similar processing based on full CSI can be performed where transmission on only a subset of the available eigenmodes is accommodated in each of the allocated sub-channels (e.g., to implement beam steering). Because of the cost associated with the full-CSI processing (e.g., increased complexity at the transmitter and receiver units, increased overhead for the transmission of the CSI from the receiver unit to the transmitter unit, and so on), full-CSI processing can be applied in certain instances in the MIMO communications mode where the additional increase in performance and efficiency is justified.

In instances where full CSI is not available, less descriptive information on the transmission path (or partial CSI) may be available and can be used to pre-condition the data prior to transmission. For example, the C/I of each of the sub-channels may be available. The C/I information can then be used to control the transmission from various transmit antennas to provide the required performance in the sub-channels of interest and increase system capacity.

As used herein, full-CSI based processing modes denote processing modes that use full CSI, and partial-CSI based processing modes denote processing modes that use partial CSI. The full-CSI based processing modes include, for example, the full-CSI MIMO mode that utilizes full-CSI based processing in the MIMO communications mode. The partial-CSI based modes include, for example, the partial-CSI MIMO mode that utilizes partial-CSI based processing in the MIMO communications mode.

In instances where full-CSI or partial-CSI processing is employed to allow the transmitter unit to pre-condition the data using the available channel state information (e.g., the eigenmodes or C/I), feedback information from the receiver unit is required, which uses a portion of the reverse link capacity. Therefore, there is a cost associated with the full-CSI and the partial-CSI based processing modes. The cost should be factored into the choice of which processing mode to employ. The partial-CSI based processing mode requires less overhead and may be more efficient in some instances. The no-CSI based processing mode requires no overhead and may also be more efficient than the full-CSI based processing mode or the partial-CSI based processing mode under some other circumstances.

If the transmitter unit has CSI and uses the eigenmodes representative of the characteristics of the communications links to transmit independent channel data streams, then the sub-channels allocated in this case are typically uniquely assigned to a single user. On the other hand, if the modulation and coding scheme employed is common for all users (i.e. the CSI employed at the transmitter is not user-specific), then it is possible that information transmitted in this processing mode could be received and decoded by more than one user, depending on their C/I.

FIG. 2 is a diagram that graphically illustrates at least some of the aspects of the communications system of the invention. FIG. 2 shows a specific example of a transmission from one of  $N_T$  transmit antennas at a transmitter unit. In FIG. 2, the horizontal axis is time and the vertical axis is frequency. In this example, the transmission channel includes 16 sub-channels and is used to transmit a sequence of OFDM symbols, with each OFDM symbol covering all 16 sub-channels (one OFDM symbol is indicated at the top of FIG. 2 and includes all 16 sub-bands). A TDM structure is also illustrated in which the data transmission is partitioned into time slots, with each time slot having the duration of, for example, the length of one modulation symbol (i.e., each modulation symbol is used as the TDM interval).

The available sub-channels can be used to transmit signaling, voice, traffic data, and others. In the example shown in FIG. 2, the modulation symbol at time slot 1 corresponds to pilot data, which is periodically transmitted to assist the receiver units synchronize and perform channel estimation. Other techniques for distributing pilot data over time and frequency can also be used and are within the scope of the present invention. In addition, it may be advantageous to utilize a particular modulation scheme during the pilot interval if all sub-channels are employed (e.g., a PN code with a chip duration of approximately  $1/W$ ). Transmission of the pilot modulation symbol typically occurs at a particular frame rate, which is usually selected to be fast enough to permit accurate tracking of variations in the communications link.

The time slots not used for pilot transmissions can then be used to transmit various types of data. For example, sub-channels 1 and 2 may be reserved for the transmission of control and broadcast data to the receiver units. The data on these sub-channels is generally intended to be received by all receiver units. However, some of the messages on the control channel may be user specific, and can be encoded accordingly.

Voice data and traffic data can be transmitted in the remaining sub-channels. For the example shown in FIG. 2, sub-channel 3 at time slots 2 through 9 is used for voice call 1, sub-channel 4 at time slots 2 through 9 is used for voice call 2, sub-channel 5 at time slots 5 through 9 is used for voice call 3, and sub-channel 6 at time slots 7 through 9 is used for voice call 5.

The remaining available sub-channels and time slots may be used for transmissions of traffic data. In the example shown in FIG. 2, data 1 transmission uses sub-channels 5 through 16 at time slot 2 and sub-channels 7 through 16 at time slot 7, data 2 transmission uses sub-channels 5 through 16 at time slots 3 and 4 and sub-channels 6 through 16 at time slots 5, data 3 transmission uses sub-channels 6 through 16 at time slot 6, data 4 transmission uses sub-channels 7 through 16 at time slot 8, data 5 transmission uses sub-channels 7 through 11 at time slot 9, and data 6 transmission uses sub-channels 12 through 16 at time slot 9. Data 1 through 6 transmissions can represent transmissions of traffic data to one or more receiver units.

The communications system of the invention flexibly supports the transmissions of traffic data. As shown in FIG. 2, a particular data transmission (e.g., data 2) may occur over multiple sub-channels and/or multiple time slots, and multiple data transmissions (e.g., data 5 and 6) may occur at one time slot. A data transmission (e.g., data 1) may also occur over non-contiguous time slots. The system can also be designed to support multiple data transmissions on one

sub-channel. For example, voice data may be multiplexed with traffic data and transmitted on a single sub-channel.

The multiplexing of the data transmissions can potentially change from OFDM symbol to symbol. Moreover, the communications mode may be different from user to user (e.g., from one voice or data transmission to other). For example, the voice users may use the diversity communications mode, and the data users may use the MIMO communications modes. These features concept can be extended to the sub-channel level. For example, a data user may use the MIMO communications mode in sub-channels that have sufficient C/I and the diversity communications mode in remaining sub-channels.

Antenna, frequency, and temporal diversity may be respectively achieved by transmitting data from multiple antennas, on multiple sub-channels in different sub-bands, and over multiple time slots. For example, antenna diversity for a particular transmission (e.g., voice call 1) may be achieved by transmitting the (voice) data on a particular sub-channel (e.g., sub-channel 1) over two or more antennas. Frequency diversity for a particular transmission (e.g., voice call 1) may be achieved by transmitting the data on two or more sub-channels in different sub-bands (e.g., sub-channels 1 and 2). A combination of antenna and frequency diversity may be obtained by transmitting data from two or more antennas and on two or more sub-channels. Temporal diversity may be achieved by transmitting data over multiple time slots. For example, as shown in FIG. 2, data 1 transmission at time slot 7 is a portion (e.g., new or repeated) of the data 1 transmission at time slot 2.

The same or different data may be transmitted from multiple antennas and/or on multiple sub-bands to obtain the desired diversity. For example, the data may be transmitted on: (1) one sub-channel from one antenna, (2) one sub-channel (e.g., sub-channel 1) from multiple antennas, (3) one sub-channel from all  $N_T$  antennas, (4) a set of sub-channels (e.g., sub-channels 1 and 2) from one antenna, (5), a set of sub-channels from multiple antennas, (6) a set of sub-channels from all  $N_T$  antennas, or (7) a set of channels from a set of antennas (e.g., sub-channel 1 from antennas 1 and 2 at one time slot, sub-channels 1 and 2 from antenna 2 at another time slot, and so on). Thus, any combination of sub-channels and antennas may be used to provide antenna and frequency diversity.

In accordance with certain embodiments of the invention that provide the most flexibility and are capable of achieving high performance and efficiency, each sub-channel at each time slot for each transmit antenna may be viewed as an independent unit of transmission (i.e., a modulation symbol) that can be used to transmit any type of data such as pilot, signaling, broadcast, voice, traffic data, and others, or a combination thereof (e.g., multiplexed voice and traffic data). In such design, a voice call may be dynamically assigned different sub-channels over time.

Flexibility, performance, and efficiency are further achieved by allowing for independence among the modulation symbols, as described below. For example, each modulation symbol may be generated from a modulation scheme (e.g., M-PSK, M-QAM, and others) that results in the best use of the resource at that particular time, frequency, and space.

A number of constraints may be placed to simplify the design and implementation of the transmitter and receiver units. For example, a voice call may be assigned to a particular sub-channel for the duration of the call, or until such time as a sub-channel reassignment is performed. Also, signaling and/or broadcast data may be designated to some

fixed sub-channels (e.g., sub-channel 1 for control data and sub-channel 2 for broadcast data, as shown FIG. 2) so that the receiver units know a priori which sub-channels to demodulate to receive the data.

Also, each data transmission channel or sub-channel may be restricted to a particular modulation scheme (e.g., M-PSK, M-QAM) for the duration of the transmission or until such time as a new modulation scheme is assigned. For example, in FIG. 2, voice call 1 on sub-channel 3 may use QPSK, voice call 2 on sub-channel 4 may use 16-QAM, data 1 transmission at time slot 2 may use 8-PSK, data 2 transmission at time slots 3 through 5 may use 16-QAM, and so on.

The use of TDM allows for greater flexibility in the transmission of voice data and traffic data, and various assignments of resources can be contemplated. For example, a user can be assigned one sub-channel for each time slot or, equivalently, four sub-channels every fourth time slot, or some other allocations. TDM allows for data to be aggregated and transmitted at designated time slot(s) for improved efficiency.

If voice activity is implemented at the transmitter, then in the intervals where no voice is being transmitted, the transmitter may assign other users to the sub-channel so that the sub-channel efficiency is maximized. In the event that no data is available to transmit during the idle voice periods, the transmitter can decrease (or turn-off) the power transmitted in the sub-channel, reducing the interference levels presented to other users in the system that are using the same sub-channel in another cell in the network. The same feature can be also extended to the overhead, control, data, and other channels.

Allocation of a small portion of the available resources over a continuous time period typically results in lower delays, and may be better suited for delay sensitive services such as voice. Transmission using TDM can provide higher efficiency, at the cost of possible additional delays. The communications system of the invention can allocate resources to satisfy user requirements and achieve high efficiency and performance.

FIG. 3 is a block diagram of an embodiment of data processor 112 and modulator 114 of system 110 in FIG. 1. The aggregate input data stream that includes all data to be transmitted by system 110 is provided to a demultiplexer (DEMUX) 310 within data processor 112. Demultiplexer 310 demultiplexes the input data stream into a number of (K) channel data stream,  $S_1$  through  $S_k$ . Each channel data stream may correspond to, for example, a signaling channel, a broadcast channel, a voice call, or a traffic data transmission. Each channel data stream is provided to a respective encoder 312 that encodes the data using a particular encoding scheme.

The encoding may include error correction coding or error detection coding, or both, used to increase the reliability of the link. More specifically, such encoding may include, for example, interleaving, convolutional coding, Turbo coding, Trellis coding, block coding (e.g., Reed-Solomon coding), cyclic redundancy check (CRC) coding, and others. Turbo encoding is described in further detail in U.S. patent application Ser. No. 09/205,511, filed Dec. 4, 1998 entitled "Turbo Code Interleaver Using Linear Congruential Sequences" and in a document entitled "The cdma2000 ITU-R RTT Candidate Submission," hereinafter referred to as the IS-2000 standard, both of which are incorporated herein by reference.

The encoding can be performed on a per channel basis, i.e., on each channel data stream, as shown in FIG. 3.



However, the encoding may also be performed on the aggregate input data stream, on a number of channel data streams, on a portion of a channel data stream, across a set of antennas, across a set of sub-channels, across a set of sub-channels and antennas, across each sub-channel, on each modulation symbol, or on some other unit of time, space, and frequency. The encoded data from encoders 312a through 312k is then provided to a data processor 320 that processes the data to generate modulation symbols.

In one implementation, data processor 320 assigns each channel data stream to one or more sub-channels, at one or more time slots, and on one or more antennas. For example, for a channel data stream corresponding to a voice call, data processor 320 may assign one sub-channel on one antenna (if transmit diversity is not used) or multiple antennas (if transmit diversity is used) for as many time slots as needed for that call. For a channel data stream corresponding to a signaling or broadcast channel, data processor 320 may assign the designated sub-channel(s) on one or more antennas, again depending on whether transmit diversity is used. Data processor 320 then assigns the remaining available resources for channel data streams corresponding to data transmissions. Because of the burstiness nature of data transmissions and the greater tolerance to delays, data processor 320 can assign the available resources such that the system goals of high performance and high efficiency are achieved. The data transmissions are thus “scheduled” to achieve the system goals.

After assigning each channel data stream to its respective time slot(s), sub-channel(s), and antenna(s), the data in the channel data stream is modulated using multi-carrier modulation. In an embodiment, OFDM modulation is used to provide numerous advantages. In one implementation of OFDM modulation, the data in each channel data stream is grouped to blocks, with each block having a particular number of data bits. The data bits in each block are then assigned to one or more sub-channels associated with that channel data stream.

The bits in each block are then demultiplexed into separate sub-channels, with each of the sub-channels conveying a potentially different number of bits (i.e., based on C/I of the sub-channel and whether MIMO processing is employed). For each of these sub-channels, the bits are grouped into modulation symbols using a particular modulation scheme (e.g., M-PSK or M-QAM) associated with that sub-channel. For example, with 16-QAM, the signal constellation is composed of 16 points in a complex plane (i.e.,  $a+j*b$ ), with each point in the complex plane conveying 4 bits of information. In the MIMO processing mode, each modulation symbol in the sub-channel represents a linear combination of modulation symbols, each of which may be selected from a different constellation.

The collection of  $L$  modulation symbols form a modulation symbol vector  $V$  of dimensionality  $L$ . Each element of the modulation symbol vector  $V$  is associated with a specific sub-channel having a unique frequency or tone on which the modulation symbols is conveyed. The collection of these  $L$  modulation symbols are all orthogonal to one another. At each time slot and for each antenna, the  $L$  modulation symbols corresponding to the  $L$  sub-channels are combined into an OFDM symbol using an inverse fast Fourier transform (IFFT). Each OFDM symbol includes data from the channel data streams assigned to the  $L$  sub-channels.

OFDM modulation is described in further detail in a paper entitled “Multicarrier Modulation for Data Transmission: An

Idea Whose Time Has Come,” by John A. C. Bingham, IEEE Communications Magazine, May 1990, which is incorporated herein by reference.

Data processor 320 thus receives and processes the encoded data corresponding to  $K$  channel data streams to provide  $N_T$  modulation symbol vectors,  $V_1$  through  $V_{N_T}$ , one modulation symbol vector for each transmit antenna. In some implementations, some of the modulation symbol vectors may have duplicate information on specific sub-channels intended for different transmit antennas. The modulation symbol vectors  $V_1$  through  $V_{N_T}$  are provided to modulators 114a through 114t, respectively.

In the embodiment shown in FIG. 3, each modulator 114 includes an IFFT 330, cycle prefix generator 332, and an upconverter 334. IFFT 330 converts the received modulation symbol vectors into their time-domain representations called OFDM symbols. IFFT 330 can be designed to perform the IFFT on any number of sub-channels (e.g., 8, 16, 32, and so on). In an embodiment, for each modulation symbol vector converted to an OFDM symbol, cycle prefix generator 332 repeats a portion of the time-domain representation of the OFDM symbol to form the transmission symbol for the specific antenna. The cyclic prefix insures that the transmission symbol retains its orthogonal properties in the presence of multipath delay spread, thereby improving performance against deleterious path effects, as described below. The implementation of IFFT 330 and cycle prefix generator 332 is known in the art and not described in detail herein.

The time-domain representations from each cycle prefix generator 332 (i.e., the transmission symbols for each antenna) are then processed by upconverter 334, converted into an analog signal, modulated to a RF frequency, and conditioned (e.g., amplified and filtered) to generate an RF modulated signal that is then transmitted from the respective antenna 116.

FIG. 3 also shows a block diagram of an embodiment of data processor 320. The encoded data for each channel data stream (i.e., the encoded data stream,  $X$ ) is provided to a respective channel data processor 322. If the channel data stream is to be transmitted over multiple sub-channels and/or multiple antennas (without duplication on at least some of the transmissions), channel data processor 322 demultiplexes the channel data stream into a number of (up to  $L \cdot N_T$ ) data sub-streams. Each data sub-stream corresponds to a transmission on a particular sub-channel at a particular antenna. In typical implementations, the number of data sub-streams is less than  $L \cdot N_T$  since some of the sub-channels are used for signaling, voice, and other types of data. The data sub-streams are then processed to generate corresponding sub-streams for each of the assigned sub-channels that are then provided to combiners 324. Combiners 324 combine the modulation symbols designated for each antenna into modulation symbol vectors that are then provided as a modulation symbol vector stream. The  $N_T$  modulation symbol vector streams for the  $N_T$  antennas are then provided to the subsequent processing blocks (i.e., modulators 114).

In a design that provides the most flexibility, best performance, and highest efficiency, the modulation symbol to be transmitted at each time slot, on each sub-channel, can be individually and independently selected. This feature allows for the best use of the available resource over all three dimensions—time, frequency, and space. The number of data bits transmitted by each modulation symbol may thus differ.

FIG. 4A is a block diagram of an embodiment of a channel data processor 400 that can be used for processing one channel data stream. Channel data processor 400 can be used to implement one channel data processor 322 in FIG. 3. The transmission of a channel data stream may occur on multiple sub-channels (e.g., as for data 1 in FIG. 2) and may also occur from multiple antennas. The transmission on each sub-channel and from each antenna can represent non-duplicated data.

Within channel data processor 400, a demultiplexer 420 receives and demultiplexes the encoded data stream,  $X_i$ , into a number of sub-channel data streams,  $X_{i,1}$  through  $X_{i,M}$ , one sub-channel data stream for each sub-channel being used to transmit data. The data demultiplexing can be uniform or non-uniform. For example, if some information about the transmission paths is known (i.e., full CSI or partial CSI is known), demultiplexer 420 may direct more data bits to the sub-channels capable of transmitting more bps/Hz. However, if no CSI is known, demultiplexer 420 may uniformly direct approximately equal number of bits to each of the allocated sub-channels.

Each sub-channel data stream is then provided to a respective spatial division processor 430. Each spatial division processor 430 may further demultiplex the received sub-channel data stream into a number of (up to  $N_T$ ) data sub-streams, one data sub-stream for each antenna used to transmit the data. Thus, after demultiplexer 420 and spatial division processor 430, the encoded data stream  $X_i$  may be demultiplexed into up to  $L \cdot N_T$  data sub-streams to be transmitted on up to  $L$  sub-channels from up to  $N_T$  antennas.

At any particular time slot, up to  $N_T$  modulation symbols may be generated by each spatial division processor 430 and provided to  $N_T$  combiners 400a through 440t. For example, spatial division processor 430a assigned to sub-channel 1 may provide up to  $N_T$  modulation symbols for sub-channel 1 of antennas 1 through  $N_T$ . Similarly, spatial division processor 430k assigned to sub-channel k may provide up to  $N_T$  symbols for sub-channel k of antennas 1 through  $N_T$ . Each combiner 440 receives the modulation symbols for the  $L$  sub-channels, combines the symbols for each time slot into a modulation symbol vector, and provides the modulation symbol vectors as a modulation symbol vector stream,  $V$ , to the next processing stage (e.g., modulator 114).

Channel data processor 400 may also be designed to provide the necessary processing to implement the full-CSI or partial-CSI processing modes described above. The CSI processing may be performed based on the available CSI information and on selected channel data streams, sub-channels, antennas, etc. The CSI processing may also be enabled and disabled selectively and dynamically. For example, the CSI processing may be enabled for a particular transmission and disabled for some other transmissions. The CSI processing may be enabled under certain conditions, for example, when the transmission link has adequate C/I.

Channel data processor 400 in FIG. 4A provides a high level of flexibility. However, such flexibility is typically not needed for all channel data streams. For example, the data for a voice call is typically transmitted over one sub-channel for the duration of the call, or until such time as the sub-channel is reassigned. The design of the channel data processor can be greatly simplified for these channel data streams.

FIG. 4B is a block diagram of the processing that can be employed for one channel data stream such as overhead data, signaling, voice, or traffic data. A spatial division processor 450 can be used to implement one channel data processor 322 in FIG. 3 and can be used to support a channel data

stream such as, for example, a voice call. A voice call is typically assigned to one sub-channel for multiple time slots (e.g., voice 1 in FIG. 2) and may be transmitted from multiple antennas. The encoded data stream,  $X_j$ , is provided to spatial division processor 450 that groups the data into blocks, with each block having a particular number of bits that are used to generate a modulation symbol. The modulation symbols from spatial division processor 450 are then provided to one or more combiners 440 associated with the one or more antennas used to transmit the channel data stream.

A specific implementation of a transmitter unit capable of generating the transmit signal shown in FIG. 2 is now described for a better understanding of the invention. At time slot 2 in FIG. 2, control data is transmitted on sub-channel 1, broadcast data is transmitted on sub-channel 2, voice calls 1 and 2 are assigned to sub-channels 3 and 4, respectively, and traffic data is transmitted on sub-channels 5 through 16. In this example, the transmitter unit is assumed to include four transmit antennas (i.e.,  $N_T=4$ ) and four transmit signals (i.e., four RF modulated signals) are generated for the four antennas.

FIG. 5A is a block diagram of a portion of the processing units that can be used to generate the transmit signal for time slot 2 in FIG. 2. The input data stream is provided to a demultiplexer (DEMUX) 510 that demultiplexes the stream into five channel data streams,  $S_1$  through  $S_5$ , corresponding to control, broadcast, voice 1, voice 2, and data 1 in FIG. 2. Each channel data stream is provided to a respective encoder 512 that encodes the data using an encoding scheme selected for that stream.

In this example, channel data streams  $S_1$  through  $S_3$  are transmitted using transmit diversity. Thus, each of the encoded data streams  $X_1$  through  $X_3$  is provided to a respective channel data processor 532 that generates the modulation symbols for that stream. The modulation symbols from each of the channel data processors 532a through 532c are then provided to all four combiners 540a through 540d. Each combiner 540 receives the modulation symbols for all 16 sub-channels designated for the antenna associated with the combiner, combines the symbols on each sub-channel at each time slot to generate a modulation symbol vector, and provides the modulation symbol vectors as a modulation symbol vector stream,  $V$ , to an associated modulator 114. As indicated in FIG. 5A, channel data stream  $S_1$  is transmitted on sub-channel 1 from all four antennas, channel data stream  $S_2$  is transmitted on sub-channel 2 from all four antennas, and channel data stream  $S_3$  is transmitted on sub-channel 3 from all four antennas.

FIG. 5B is a block diagram of a portion of the processing units used to process the encoded data for channel data stream  $S_4$ . In this example, channel data stream  $S_4$  is transmitted using spatial diversity (and not transmit diversity as used for channel data streams  $S_1$  through  $S_3$ ). With spatial diversity, data is demultiplexed and transmitted (concurrently in each of the assigned sub-channels or over different time slots) over multiple antennas. The encoded data stream  $X_4$  is provided to a channel data processor 532d that generates the modulation symbols for that stream. The modulation symbols in this case are linear combinations of modulation symbols selected from symbol alphabets that correspond to each of the eigenmodes of the channel. In this example, there are four distinct eigenmodes, each of which is capable of conveying a different amount of information. As an example, suppose eigenmode 1 has a C/I that allows 64-QAM (6 bits) to be transmitted reliably, eigenmode 2 permits 16-QAM (4 bits), eigenmode 3 permits QPSK (2

bits) and eigenmode 4 permits BPSK (1 bit) to be used. Thus, the combination of all four eigenmodes allows a total of 13 information bits to be transmitted simultaneously as an effective modulation symbol on all four antennas in the same sub-channel. The effective modulation symbol for the assigned sub-channel on each antenna is a linear combination of the individual symbols associated with each eigenmode, as described by the matrix multiply given in equation (1) above.

FIG. 5C is a block diagram of a portion of the processing units used to process channel data stream  $S_5$ . The encoded data stream  $X_5$  is provided to a demultiplexer (DEMUX) 530 that demultiplexes the stream  $X_5$  into twelve sub-channel data streams,  $X_{5,11}$  through  $X_{5,16}$ , one sub-channel data stream for each of the allocated sub-channels 5 through 16. Each sub-channel data stream is then provided to a respective sub-channel data processor 536 that generates the modulation symbols for the associated sub-channel data stream. The sub-channel symbol stream from sub-channel data processors 536a through 536l are then provided to demultiplexers 538a through 538l, respectively. Each demultiplexer 538 demultiplexes the received sub-channel symbol stream into four symbol sub-streams, with each symbol sub-stream corresponding to a particular sub-channel at a particular antenna. The four symbol sub-streams from each demultiplexer 538 are then provided to the four combiners 540a through 540d.

In the embodiment described for FIG. 5C, a sub-channel data stream is processed to generate a sub-channel symbol stream that is then demultiplexed into four symbol sub-streams, one symbol sub-stream for a particular sub-channel of each antenna. This implementation is a different from that described for FIG. 4A. In the embodiment described for FIG. 4A, the sub-channel data stream designated for a particular sub-channel is demultiplexed into a number of data sub-streams, one data sub-stream for each antenna, and then processed to generate the corresponding symbol sub-streams. The demultiplexing in FIG. 5C is performed after the symbol modulation whereas the demultiplexing in FIG. 4A is performed before the symbol modulation. Other implementations may also be used and are within the scope of the present invention.

Each combination of sub-channel data processor 536 and demultiplexer 538 in FIG. 5C performs in similar manner as the combination of sub-channel data processor 532d and demultiplexer 534d in FIG. 5B. The rate of each symbol sub-stream from each demultiplexer 538 is, on the average, a quarter of the rate of the symbol stream from the associated channel data processor 536.

FIG. 6 is a block diagram of an embodiment of a receiver unit 600, having multiple receive antennas, which can be used to receive one or more channel data streams. One or more transmitted signals from one or more transmit antennas can be received by each of antennas 610a through 610r and routed to a respective front end processor 612. For example, receive antenna 610a may receive a number of transmitted signals from a number of transmit antennas, and receive antenna 610r may similarly receive multiple transmitted signals. Each front end processor 612 conditions (e.g., filters and amplifies) the received signal, downconverts the conditioned signal to an intermediate frequency or baseband, and samples and quantizes the downconverted signal. Each front end processor 612 typically further demodulates the samples associated with the specific antenna with the received pilot to generate "coherent" samples that are then provided to a respective FFT processor 614, one for each receive antenna.

Each FFT processor 614 generates transformed representations of the received samples and provides a respective stream of modulation symbol vectors. The modulation symbol vector streams from FFT processors 614a through 614r are then provided to demultiplexer and combiners 620, which channelizes the stream of modulation symbol vectors from each FFT processor 614 into a number of (up to L) sub-channel symbol streams. The sub-channel symbol streams from all FFT processors 614 are then processed, based on the (e.g., diversity or MIMO) communications mode used, prior to demodulation and decoding.

For a channel data stream transmitted using the diversity communications mode, the sub-channel symbol streams from all antennas used for the transmission of the channel data stream are presented to a combiner that combines the redundant information across time, space, and frequency. The stream of combined modulation symbols are then provided to a (diversity) channel processor 630 and demodulated accordingly.

For a channel data stream transmitted using the MIMO communications mode, all sub-channel symbol streams used for the transmission of the channel data stream are presented to a MIMO processor that orthogonalizes the received modulation symbols in each sub-channel into the distinct eigenmodes. The MIMO processor performs the processing described by equation (2) above and generates a number of independent symbol sub-streams corresponding to the number of eigenmodes used at the transmitter unit. For example, MIMO processor can perform multiplication of the received modulation symbols with the left eigenvectors to generate post-conditioned modulation symbols, which correspond to the modulation symbols prior to the full-CSI processor at the transmitter unit. The (post-conditioned) symbol sub-streams are then provided to a (MIMO) channel processor 630 and demodulated accordingly. Thus, each channel processor 630 receives a stream of modulation symbols (for the diversity communications mode) or a number of symbol sub-streams (for the MIMO communications mode). Each stream or sub-stream of modulation symbols is then provided to a respective demodulator (DEMOM) that implements a demodulation scheme (e.g., M-PSK, M-QAM, or others) that is complementary to the modulation scheme used at the transmitter unit for the sub-channel being processed. For the MIMO communications mode, the demodulated data from all assigned demodulators may then be decoded independently or multiplexed into one channel data stream and then decoded, depending upon the coding and modulation method employed at the transmitter unit. For both the diversity and MIMO communications modes, the channel data stream from channel processor 630 may then provided to a respective decoder 640 that implements a decoding scheme complementary to that used at the transmitter unit for the channel data stream. The decoded data from each decoder 640 represents an estimate of the transmitted data for that channel data stream.

FIG. 6 represents one embodiment of a receiver unit. Other designs can contemplated and are within the scope of the present invention. For example, a receiver unit may be designed with only one receive antenna, or may be designed capable of simultaneous processing multiple (e.g., voice, data) channel data streams.

As noted above, multi-carrier modulation is used in the communications system of the invention. In particular, OFDM modulation can be employed to provide a number of benefits including improved performance in a multipath environment, reduced implementation complexity (in a relative sense, for the MIMO mode of operation), and flexibility.

However, other variants of multi-carrier modulation can also be used and are within the scope of the present invention.

OFDM modulation can improve system performance due to multipath delay spread or differential path delay introduced by the propagation environment between the transmitting antenna and the receiver antenna. The communications link (i.e., the RF channel) has a delay spread that may potentially be greater than the reciprocal of the system operating bandwidth,  $W$ . Because of this, a communications system employing a modulation scheme that has a transmit symbol duration of less than the delay spread will experience intersymbol interference (ISI). The ISI distorts the received symbol and increases the likelihood of incorrect detection.

With OFDM modulation, the transmission channel (or operating bandwidth) is essentially divided into a (large) number of parallel sub-channels (or sub-bands) that are used to communicate the data. Because each of the sub-channels has a bandwidth that is typically much less than the coherence bandwidth of the communications link, ISI due to delay spread in the link is significantly reduced or eliminated using OFDM modulation. In contrast, most conventional modulation schemes (e.g., QPSK) are sensitive to ISI unless the transmission symbol rate is small compared to the delay spread of the communications link.

As noted above, cyclic prefix can be used to combat the deleterious effects of multipath. A cyclic prefix is a portion of an OFDM symbol (usually the front portion, after the IFFT) that is wrapped around to the back of the symbol. The cyclic prefix is used to retain orthogonality of the OFDM symbol, which is typically destroyed by multipath.

As an example, consider a communications system in which the channel delay spread is less than 10  $\mu$ sec. Each OFDM symbol has appended onto it a cyclic prefix that insures that the overall symbol retains its orthogonal properties in the presence of multipath delay spread. Since the cyclic prefix conveys no additional information, it is essentially overhead. To maintain good efficiency, the duration of the cyclic prefix is selected to be a small fraction of the overall transmission symbol duration. For the above example, using a 5% overhead to account for the cyclic prefix, an transmission symbol duration of 200  $\mu$ sec is adequate for a 10  $\mu$ sec maximum channel delay spread. The 200  $\mu$ sec transmission symbol duration corresponds to a bandwidth of 5 kHz for each of the sub-bands. If the overall system bandwidth is 1.2288 MHz, 250 sub-channels of approximately 5 kHz can be provided. In practice, it is convenient for the number of sub-channels to be a power of two. Thus, if the transmission symbol duration is increased to 205  $\mu$ sec and the system bandwidth is divided into  $M=256$  sub-bands, each sub-channel will have a bandwidth of 4.88 kHz.

In certain embodiments of the invention, OFDM modulation can reduce the complexity of the system. When the communications system incorporates MIMO technology, the complexity associated with the receiver unit can be significant, particularly when multipath is present. The use of OFDM modulation allows each of the sub-channels to be treated in an independent manner by the MIMO processing employed. Thus, OFDM modulation can significantly simplify the signal processing at the receiver unit when MIMO technology is used.

OFDM modulation can also afford added flexibility in sharing the system bandwidth,  $W$ , among multiple users. Specifically, the available transmission space for OFDM symbols can be shared among a group of users. For example, low rate voice users can be allocated a sub-channel or a

fraction of a sub-channel in OFDM symbol, while the remaining sub-channels can be allocated to data users based on aggregate demand. In addition, overhead, broadcast, and control data can be conveyed in some of the available sub-channels or (possibly) in a portion of a sub-channel.

As described above, each sub-channel at each time slot is associated with a modulation symbol that is selected from some alphabet such as M-PSK or M-QAM. In certain embodiments, the modulation symbol in each of the  $L$  sub-channels can be selected such that the most efficient use is made of that sub-channel. For example, sub-channel 1 can be generated using QPSK, sub-channel 2 can be generated using BPSK, sub-channel 3 can be generated using 16-QAM, and so on. Thus, for each time slot, up to  $L$  modulation symbols for the  $L$  sub-channels are generated and combined to generate the modulation symbol vector for that time slot.

One or more sub-channels can be allocated to one or more users. For example, each voice user may be allocated a single sub-channel. The remaining sub-channels can be dynamically allocated to data users. In this case, the remaining sub-channels can be allocated to a single data user or divided among multiple data users. In addition, some sub-channels can be reserved for transmitting overhead, broadcast, and control data. In certain embodiments of the invention, it may be desirable to change the sub-channel assignment from (possibly) modulation symbol to symbol in a pseudo-random manner to increase diversity and provide some interference averaging.

In a CDMA system, the transmit power on each reverse link transmission is controlled such that the required frame error rate (FER) is achieved at the base station at the minimal transmit power, thereby minimizing interference to other users in the system. On the forward link of the CDMA system, the transmit power is also adjusted to increase system capacity.

In the communications system of the invention, the transmit power on the forward and reverse links can be controlled to minimize interference and maximize system capacity. Power control can be achieved in various manners. For example, power control can be performed on each channel data stream, on each sub-channel, on each antenna, or on some other unit of measurements. When operating in the diversity communications mode, if the path loss from a particular antenna is great, transmission from this antenna can be reduced or muted since little may be gained at the receiver unit. Similarly, if transmission occurs over multiple sub-channels, less power may be transmitted on the sub-channel(s) experiencing the most path loss.

In an implementation, power control can be achieved with a feedback mechanism similar to that used in the CDMA system. Power control information can be sent periodically or autonomously from the receiver unit to the transmitter unit to direct the transmitter unit to increase or decrease its transmit power. The power control bits may be generated based on, for example, the BER or FER at the receiver unit.

FIG. 7 shows plots that illustrate the spectral efficiency associated with some of the communications modes of the communications system of the invention. In FIG. 7, the number of bits per modulation symbol for a given bit error rate is given as a function of  $C/I$  for a number of system configurations. The notation  $N_T \times N_R$  denotes the dimensionality of the configuration, with  $N_T$ =number of transmit antennas and  $N_R$ =number of receive antennas. Two diversity configurations, namely  $1 \times 2$  and  $1 \times 4$ , and four MIMO configurations, namely  $2 \times 2$ ,  $2 \times 4$ ,  $4 \times 4$ , and  $8 \times 4$ , are simulated and the results are provided in FIG. 7.

As shown in the plots, the number of bits per symbol for a given BER ranges from less than 1 bps/Hz to almost 20 bps/Hz. At low values of  $C/I$ , the spectral efficiency of the diversity communications mode and MIMO communications mode is similar, and the improvement in efficiency is less noticeable. However, at higher values of  $C/I$ , the increase in spectral efficiency with the use of the MIMO communications mode becomes more dramatic. In certain MIMO configurations and for certain conditions, the instantaneous improvement can reach up to 20 times.

From these plots, it can be observed that spectral efficiency generally increases as the number of transmit and receive antennas increases. The improvement is also generally limited to the lower of  $N_T$  and  $N_R$ . For example, the diversity configurations,  $1 \times 2$  and  $1 \times 4$ , both asymptotically reach approximately 6 bps/Hz.

In examining the various data rates achievable, the spectral efficiency values given in FIG. 7 can be applied to the results on a sub-channel basis to obtain the range of data rates possible for the sub-channel. As an example, for a subscriber unit operating at a  $C/I$  of 5 dB, the spectral efficiency achievable for this subscriber unit is between 1 bps/Hz and 2.25 bps/Hz, depending on the communications mode employed. Thus, in a 5 kHz sub-channel, this subscriber unit can sustain a peak data rate in the range of 5 kbps to 10.5 kbps. If the  $C/I$  is 10 dB, the same subscriber unit can sustain peak data rates in the range of 10.5 kbps to 25 kbps per sub-channel. With 256 sub-channels available, the peak sustained data rate for a subscriber unit operating at 10 dB  $C/I$  is then 6.4 Mbps. Thus, given the data rate requirements of the subscriber unit and the operating  $C/I$  for the subscriber unit, the system can allocate the necessary number of sub-channels to meet the requirements. In the case of data services, the number of sub-channels allocated per time slot may vary depending on, for example, other traffic loading.

The reverse link of the communications system can be designed similar in structure to the forward link. However, instead of broadcast and common control channels, there may be random access channels defined in specific sub-channels or in specific modulation symbol positions of the frame, or both. These may be used by some or all subscriber units to send short requests (e.g., registration, request for resources, and so on) to the central station. In the common access channels, the subscriber units may employ common modulation and coding. The remaining channels may be allocated to separate users as in the forward link. In an embodiment, allocation and de-allocation of resources (on both the forward and reverse links) are controlled by the system and communicated on the control channel in the forward link.

One design consideration for on the reverse link is the maximum differential propagation delay between the closest subscriber unit and the furthest subscriber unit. In systems where this delay is small relative to the cyclic prefix duration, it may not be necessary to perform correction at the transmitter unit. However, in systems in which the delay is significant, the cyclic prefix can be extended to account for the incremental delay. In some instances, it may be possible to make a reasonable estimate of the round trip delay and correct the time of transmit so that the symbol arrives at the central station at the correct instant. Usually there is some residual error, so the cyclic prefix may also further be extended to accommodate this residual error.

In the communications system, some subscriber units in the coverage area may be able to receive signals from more than one central station. If the information transmitted by multiple central stations is redundant on two or more sub-

channels and/or from two or more antennas, the received signals can be combined and demodulated by the subscriber unit using a diversity-combining scheme. If the cyclic prefix employed is sufficient to handle the differential propagation delay between the earliest and latest arrival, the signals can be (optimally) combined in the receiver and demodulated correctly. This diversity reception is well known in broadcast applications of OFDM. When the sub-channels are allocated to specific subscriber units, it is possible for the same information on a specific sub-channel to be transmitted from a number of central stations to a specific subscriber unit. This concept is similar to the soft handoff used in CDMA systems.

The communications system described above can be used for various applications and to provide various services. Such services may include, for example, real time services, non-real time services, or both real time and non-real time services multiplexed together. The services to be supported by the communications system can be defined and categorized in various manners (e.g., by the quality of service (QoS) associated with the services). As an example, the supported services can be categorized into three types defined as follow:

Full duplex real time (FDRT) services—services that require short one-way delay (e.g., voice);

Half duplex real time (HDRT) services—services that can tolerate longer one-way delay, as long as the delay does not vary by a large amount (e.g., video, audio); and

Non-real time (NRT) services—services that are not quite as sensitive to delay (e.g., packet data).

Additional and/or different services can also be supported and are within the scope of the invention. For example, broadcast services, paging services, and others can be supported. Similarly, additional and/or different types of services can also be defined and are within the scope of the invention.

Once the services have been defined and categorized, they can be multiplexed in numerous manners. For example, HDRT and NRT services can be multiplexed in a single data transmission, with the HDRT services being given higher priority. FDRT services can also be multiplexed with HDRT and NRT services, possibly using a different multiplexing scheme. Various multiplexing schemes can be used to transmit the supported services. Some of these schemes are described in further detail below.

FIG. 8A is a diagram of an embodiment of a structure that can be used to transmit various types of services. In this embodiment, the supported services are multiplexed and transmitted in slots (only one slot is shown in FIG. 8A for simplicity). Each slot covers  $N$  OFDM symbols  $810a$  through  $810n$ , where  $N$  can be defined to be any integer. In an embodiment, each slot is further divided into a number of partitions  $802$  (two is shown in FIG. 8A for simplicity). Each partition  $802$  can include any number of OFDM symbols and can be used to support any type of services. For example, partition  $802a$  can be used to support FDRT services (e.g., voice), and partition  $802b$  can be used to support HDRT and/or NRT services (e.g., packet data). Other structures can also be implemented and are within the scope of the invention.

The partition used to support FDRT services and the partition used to support HDRT and NRT services can each be shared by multiple users. The sharing of a partition can be achieved by various multiplexing schemes. For example, the sharing can be achieved by:

multiplexing multiple users on different (orthogonal) OFDM tones;

multiplexing multiple users on common OFDM tones using Walsh codes;

multiplexing multiple users on common OFDM symbols using packet switching; and

assigning multiple users to their respective OFDM symbols.

These multiplexing schemes are described in further detail below. Other multiplexing schemes can also be defined and are within the scope of the invention.

FIG. 9 is a block diagram of an embodiment of a data processor 912 and a modulator 914 that can be used to multiplex multiple users on orthogonal OFDM tones. Channel data streams  $S_1$  through  $S_K$  can be used to carry data for users 1 through  $K$ , respectively. Additional channel data streams (e.g.,  $S_L$ ) can be used to carry data for control, signaling, broadcast, and other overhead channels. Each channel data stream is provided to a respective encoder 922 that codes the received data with a particular coding scheme selected for that channel. For example, the coding scheme can include convolutional coding, Turbo coding, or no coding at all. The encoded data streams  $X_1$  through  $X_L$  from encoders 922a through 922l are then provided to respective multipliers 924a through 924l, which also receive respective scaling factors  $G_1$  through  $G_L$ . Each multiplier 924 scales the received data stream with the received scaling factor to provide power adjustment for the data stream.

The scaled data streams from multipliers 924a through 924l are then provided to a parallel to serial converter (P/S) 926 that multiplexes the received data streams into a combined data stream. A symbol mapping element 928 then receives the combined data stream and interleaves (i.e., reorders) the data in the stream to provide temporal diversity. Symbol mapping element 928 further maps the data in each received data stream to the tones assigned to the data stream, as described below. The output from symbol mapping element 928 is a stream of modulation symbol vectors  $V$ , which is provided to modulator 914.

Within modulator 914, an IFFT 930 receives and converts the modulation symbol vectors  $V$  into their time-domain representations called OFDM symbols. In an embodiment, for each modulation symbol vector converted to an OFDM symbol, cycle prefix generator 932 repeats a portion of the time-domain representation of the OFDM symbol to form a transmission symbol. The cyclic prefix ensures that the transmission symbol retains its orthogonal properties in the presence of multipath delay spread, thereby improving performance against deleterious path effects, as described above. The transmission symbols from cycle prefix generator 932 are then processed by upconverter 934, converted into an analog signal, modulated to a RF frequency, and conditioned (e.g., amplified and filtered) to generate an RF modulated signal that is then transmitted from an antenna 916.

In an embodiment, symbol mapping element 928 maps the symbols for each channel data stream (e.g., each user) to a set of tones that are assigned to the channel. Referring back to FIG. 8A, each partition includes a number of OFDM symbols and, referring back to FIG. 1, each OFDM symbol includes a number of tones transmitted on a number of sub-channels. Thus, a number of tones in each partition are available for transmitting the channel data streams.

In an embodiment, the available tones in each multi-user partition are grouped to a number of sets of tones. Each set of tones is referred to as a "circuit" and is assigned to a particular channel. The  $L$  channel data streams can thus be assigned to  $L$  circuits. A particular channel data stream may also be assigned multiple circuits in one or more partitions

(e.g., one or more circuits in partition 802a and one or more circuits in partition 802b). Also, a user may be assigned with multiple channel data streams or a channel data stream may be shared between multiple users. Multiple channel data streams may also share the same circuit.

Each of the circuits can be defined to include any number of tones. More tones may be allocated to high rate circuits and fewer tones may be allocated to low rate circuits. Also, each circuit may be assigned with any tone from any OFDM symbol. The tones of each OFDM symbol may thus be assigned to one or more circuits. For improved frequency and temporal diversity, the tones for each circuit can be selected such that different tones from different OFDM symbols are assigned to the circuit. For example, a particular circuit may be assigned with tone 1 of the first OFDM symbol, tone 2 of the second OFDM symbol, and so on.

Different types of circuits can be defined and used for different types of services. For example, a first circuit type can be defined to include different tones from different OFDM symbols, and a second circuit type can be defined to include all tones from one or more OFDM symbols. The first circuit type (e.g., in partition 802a) can be used to support FDRT services, and the second circuit type (e.g., in partition 802b) can be used to support HDRT and NRT services. With the second circuit type, each OFDM symbol can be assigned to a particular HDRT or NRT user.

The circuits may be defined as static sets of tones or may be dynamically configurable. For example, the communications system may define each of the circuits available for assignment and thereafter informs each user terminal of the assigned circuit and its definition (e.g., during session initiation). The dynamic definition of the circuits allows for customization of the circuits to match the services being supported, and can result in improved utilization of the available resources.

The circuits may be defined to be equal-size, with each circuit having the capacity to carry a particular number of bits. Alternatively, the circuits may be designed to have different sizes. The circuit sizes may be based on the statistics of the users in the communications system or some other criteria. For example, more low rate circuits can be defined if more users are utilizing low rate services. Alternatively or additionally, the circuits may be defined based on the particular services being supported and/or user requirements. High rate circuits with more tones can be assigned to high rate services, and low rate circuits with fewer tones (or transmitted less frequently) can be assigned to low rate services.

The circuits are typically defined a priori, prior to a call processing (e.g., circuit #0 include tones x, y, z, and so on). One or more circuits can be assigned for a particular communications session, and the assigned circuits can be provided to a user terminal, for example, via control channel system parameter messages that describe how the forward link is configured.

FIG. 8B is a diagram of a specific embodiment of a packet structure 820, which can be used for transmitting data in the communications system. Packet structure 820 includes a packet type field 822, a circuit identifier field 824, and a data field 826. Packet type field 822 is used to signal whether the circuit assigned to a user terminal will be changed for the next packet to be transmitted to the terminal. Packet type field 822 can also be used to inform the user terminal of a change in transmission scheme. For example, for voice service, packet type field 822 can be used to signal a change from voice activity to silence and vice versa, each of which

may be associated with a different transmission scheme, as described below. Table 1 shows a specific definition for packet type field **822**.

TABLE 1

Packet Type Value	Definition
00	No change in circuit
01	Change to new circuit
10	Transition to silence
11	Transition to activity

If packet type field **822** indicates that the circuit to be used for the next packet will be different, then circuit identifier field **824** can be used to identify the particular circuit to be used for the next packet. Circuit identifier field **824** can provide the identity of the new circuit as well as other information (e.g., the transmission scheme), as described below. Circuit identifier field **824** is typically used only if there is information to be sent (e.g., for a change in circuit or transmission scheme). Otherwise, circuit identifier field **824** is a null field.

Data field **826** can be used to carry the payload (e.g., data) for the transmission. Data field **826** may also be used to carry other information such as, for example, control data, CRC bits, and so on.

Packet type field **822** can be implemented with few bits (e.g., 2 bits), and circuit identifier field **824** can be implemented with a small number of bits (e.g., 8-10 bits). The remaining bits in each packet can be used for data field **826**. This results in an efficient packet format in which few overhead bits are required.

Each packet can be dimensioned to fit into one circuit in one slot. However, a packet may also be segmented and transmitted using multiple circuits over one or more slots. The size of the packet can be selected for efficient data transmission. For services that can tolerate longer processing delays, low rate transmissions can be collected and assembled into a larger packet (e.g., 20 msec or 40 msec of data) that can be more efficiently processed and transmitted.

Packet structure **820** supports inband signaling of a change in circuit assignment and the identity of the new circuit. This information can also be provided via a control channel. The user terminal would then process the control channel to receive changes in circuit assignment. Other signaling schemes to communicate circuit information to the user terminal can also be used and are within the scope of the invention.

For voice data, various transmission schemes can be used to reduce the amount of transmission during periods of silence (e.g., pauses) or low activity. During silence periods, "comfort noise" is typically sent to the user terminal. This noise can be sent at a lower rate than for full speech. In one transmission scheme, during silence periods, a full rate packet is sent every X slots (e.g., X can be 4, 8, 16 or some other value). This scheme allows up to X users to share the same circuit during silence periods, with each user being assigned to one of the X slots. In another transmission scheme, a low rate circuit that includes fewer tones can be used to send comfort noise. This low rate circuit can be sent every slot, or every few slots (but typically more frequent than every X slots). In yet another transmission scheme, a full rate circuit can be sent for comfort noise but at a lower rate (e.g., using a low rate code). This full rate circuit is typically the same as that used for active speech. The transmit power can be reduced for this full rate circuit during silence periods. Various other transmission schemes to send

comfort noise (or other data) at lower bit rate can also be contemplated and are within the scope of the invention.

The transmission schemes described above to reduce the amount of transmission during silence periods can also be used for any data being sent at less than full rate. For example, speech activity having low frequency contents may be represented using fewer bits and can be sent using a low rate circuit or a full rate circuit transmitted less frequently. The user terminal can be informed accordingly whenever a change in circuit and/or transmission scheme is about to be made.

Packet format **820** supports the use of different circuits for voice activity and silence. When a user changes state from activity to silence, packet type field **822** for the user's packet can be appropriately set to inform the user terminal to use the circuit identified in circuit identifier field **824** for the next (e.g., noise) packet. Circuit identifier field **824** can also identify the particular slot used to carry comfort noise for this user terminal. Thereafter, during periods of silence, the noise packet can be sent every X slots (in one transmission scheme) to update the comfort noise that is played at the terminal. In this way, each circuit used for silence can be shared by up to X users.

In a complementary manner, a full rate circuit is requested when a user changes state from silence to activity. A scheduler receives the request and assigns to the user a full rate circuit selected from a pool of available full rate circuits. The identity of the assigned circuit is sent to the user terminal in the next packet.

If the pool of available full rate circuits is empty, speech clipping can occur until a circuit becomes available. The probability of speech clipping can be reduced by properly regulating the number of calls that are connected, which is a parameter that can be adjusted by a call admission policy if speech clipping is detected. If a large number of users are multiplexed together, the statistical multiplexing gain from voice activity is greater and the probability of speech clipping is reduced. A channel and circuit assignment protocol can be designed to minimize the probability of speech clipping without significantly reducing the statistical multiplexing gain from voice activity.

Various signaling schemes can be used to signal to the user terminal that speech activity has changed from silence to active. In one scheme, the signaling is achieved inband using, for example, packet type field **822** in the comfort noise packet. As noted above, the noise packet may be sent every X<sup>th</sup> slots for some transmission schemes. To reduce the signaling delays during silence periods, smaller noise packets can be sent at a higher rate using smaller circuits. In another signaling scheme, a control channel can be used to inform the user terminal that transition to full rate voice has occurred and to send the identity of the circuit that will be used for the next full rate packet. For this signaling scheme, terminals that are in silence periods monitor the control channel to receive the circuit information.

Various mechanisms can be implemented to ensure that changes to new circuits are properly achieved. In one mechanism, the user terminal sends an acknowledgment to the base station whenever it receives a packet that contains a circuit change. To reduce the amount of overhead, the terminal can send a single bit to the base station after receipt of a circuit change packet. This acknowledgment bit informs the base station that the terminal has successfully decoded the previous packet and is ready to receive data using the new circuit. The base station can continue to transmit using the old circuit until it receives the acknowledgment. Upon

receipt of the acknowledgment, the base station transmits using the new circuit, and the old circuit is placed back in the pool of available circuits.

Several schemes can be used to handle false acknowledgments of circuit changes that may result for various reasons. For example, a false acknowledgment may result from a user terminal decoding the packet in error and not sending an acknowledgment bit but the base station falsely detecting a transmission of the acknowledgment bit. In this case, the base station starts transmitting on the new circuit while the terminal continues decoding the old circuit. A false acknowledgment may also result from the user terminal properly decoding the packet and sending an acknowledgment bit but the base station failing to detect the acknowledgment. In this case, the base station continues to transmit on the old circuit while the terminal starts decoding the new circuit.

The probability of false acknowledgment can be reduced by using an enhanced acknowledgment protocol. For example, the acknowledgment bit can be coded such that transmission error can be detected and/or corrected. A recovery scheme can also be implemented whereby the user terminal informs the base station whenever it loses the forward link (e.g., as a result of the terminal decoding the new circuit while the base station transmits on the old circuit, or vice versa). As part of the recovery scheme, the base station can send a circuit assignment message to the terminal on a control channel whenever it receives a channel lost message. The terminal can then restart using the information included in the circuit assignment message. Other mechanisms to ensure that changes in circuits are properly implemented can be designed and are within the scope of the invention.

As noted above, a partition can be shared by multiplexing multiple users on the same OFDM symbols using packet switching. In this multiplexing scheme, each packet includes an identification of the specific user for which the packet is intended. Each packet can be transmitted, for example, using one of the circuits described above. However, in this scheme, the circuits are not individually assigned to the users. Instead, each user terminal processes all transmitted packets, extracts the user identification in each packet, decodes packet directed toward the terminal, and ignores remaining packets. Circuits of different sizes can be defined and used to efficiently transmit data.

FIG. 8C is a diagram of a specific embodiment of a packet structure **840**, which can be used for transmitting user directed data. Packet structure **840** includes a user identification (ID) field **842** and a data field **844**. User ID field **842** includes the identity of the specific user for which the packet is destined and data field **844** contains the packet payload (e.g., the data). The user ID can be assigned to each user, for example, during session initiation.

User ID field **842** can be implemented as a preamble using a coding scheme that is different than that used for data field **844**. For example, the user ID can be a particular Walsh sequence or PN offset assigned to the user terminal. This allows the user terminal to quickly determine whether the packet is intended for it. Alternatively, the user ID can be implemented as a coded sequence.

An 8-bit user ID field **842** can support up to 256 users. For a full rate packet, the user ID overhead does not significantly impact the efficiency of the transmission. For lower rate packets, the overhead can be a larger portion of the packet and efficiency may be compromised. The overhead for lower rate packets can be reduced by accumulating and transmitting lower rate data in full rate packets that may be sent less frequently.

FIG. 10 is a block diagram of an embodiment of a data processor **1012** and a modulator **1014** that can be used to multiplex multiple users on the same OFDM tones using orthogonal (e.g., Walsh) codes. Similar to FIG. 9, channel data streams  $S_1$  through  $S_L$  can be used to carry data for users and for control, signaling, broadcast, and other overhead channels. Each channel data stream is provided to a respective encoder **1022** that codes the received data with a particular coding scheme selected for that channel. The encoded data streams  $X_1$  through  $X_L$  from encoders **1022a** through **1022l** are then provided to respective multipliers **1024a** through **1024l**, which also receive respective scaling factors  $G_1$  through  $G_L$ . Each multiplier **1024** scales the received data stream with the received scaling factor to provide power control for the data stream.

The scaled data streams from multipliers **1024a** through **1024l** are then provided to respective multipliers **1026a** through **1026l**, which also receive respective Walsh sequences  $W_1$  through  $W_L$ . Each multiplier **1026** covers the received data stream with the received Walsh sequence to provide a covered data stream. The covered data streams from multipliers **1026a** through **1026l** are provided to, and combined by a summer **1027** to generate a combined data stream. A symbol mapping element **1028** receives the combined data stream and interleaves the data in the stream to provide temporal diversity. The output from symbol mapping element **1028** is a stream of modulation symbol vectors  $V$ , which is then provided to modulator **1014**.

Modulator **1014** includes an IFFT **1030**, a cyclic prefix generator **1032**, and an upconverter **1034** that operate in similar manner as IFFT **930**, cyclic prefix generator **932**, and upconverter **934**, respectively, in FIG. 9. Modulator **1014** generates an RF modulated signal that is transmitted from an antenna **1016**.

In the embodiment shown in FIG. 10, the data for each user is covered with a respective Walsh sequence and transmitted over common tones. These tones carry data associated with one or more users. For multiple users, orthogonality for the user data is maintained through the use of the Walsh sequences.

In a specific embodiment, the length of the Walsh sequences is matched to the number of tones for each OFDM symbol. For example, Walsh sequences of length 128 can be used for OFDM symbols having 128 tones. The 128 chips of each Walsh sequence can be transmitted on the 128 tones of one OFDM symbol. However, other Walsh sequence lengths can also be used and are within the scope of the invention. Moreover, each Walsh sequence can be mapped to multiple OFDM symbols or a portion of one OFDM symbol, and these variations are within the scope of the invention. For example, if the Walsh sequences have length of 64 and each OFDM symbol has 128 tones, then two sets of Walsh sequences can be mapped to each OFDM symbol.

Various modulation schemes can be used to modulate OFDM symbols that have been covered. These modulation schemes include QPSK, QAM, and others.

At a user terminal, the tones are processed and discovered with the particular Walsh sequence assigned to that terminal. Since the data for multiple users has been covered with orthogonal Walsh sequences, the data previously covered with the particular Walsh sequence can be recovered by discovering with the same Walsh sequence. The data previously covered with other Walsh sequences is orthogonal and (ideally) sums to zero in the discovering.

If the Walsh covered data (i.e., the Walsh sequences) is transmitted across multiple tones of the OFDM symbol, orthogonality of the Walsh sequences may be diminished if



the tones fade independently. This may occur, for example, with frequency selective fading. If the frequency response of the transmission channel is not flat, channel equalization may be used to regain orthogonality. Equalization can be achieved by determining the channel gain for each tone in the OFDM symbol and using the determined channel gains to equalize the channel and make it approximately flat. For example, if a particular tone has a channel loss of Y dB from a nominal value, that tone can be boosted by Y dB by the user terminal. In this manner, orthogonality may be preserved in the presence of frequency selective fading.

Since multiple users share the same tones in this multiplexing scheme, the transmit power for each user can be controlled to efficiently utilize the available resource. The transmit power for users having higher signal-to-noise-plus-interference (Eb/Io) ratios can be reduced while maintaining a particular level of performance. The saving in transmit power can then be used for some other users. Power control can be achieved, for example, using a scheme similar to that used in the IS-95 CDMA system whereby a user terminal sends a power control command (e.g., a frame-erasure-bit) to the base station, which then adjusts its transmit power to this terminal accordingly.

The multiplexing schemes described above can be used for various applications. For example, these schemes can be used for mobile, fixed, and other applications.

For fixed application, a directional antenna can be used at the base station for forward link transmissions, and two receive antennas can be provided at the user terminal to achieve receive diversity. This configuration can provide a high carrier-to-interference ratio (C/I), which results in a large capacity (e.g., a hundred or more voice users may be serviced by 1.25 MHz on the forward link). For the Walsh cover multiplexing scheme, the channel estimates can be more accurate for fixed applications and where directional antennas are deployed. This allows for more accurate equalization of the transmission channel to maintain orthogonality of the Walsh covered data.

For mobile application, soft handoff such as that employed in IS-95 CDMA systems can be used to transfer a mobile user terminal from one base station to another. To achieve soft handoff, a base station controller can request that all base stations in soft handoff send the user's packets on a common circuit or common OFDM tones. The base stations can be coordinated to achieve this. Alternatively, the base stations in soft handoff can transmit packets on circuits available to them. The user terminal can digitize the received signal and process the samples to recover the packets transmitted by the base stations. The processing of the transmissions from the base stations can be performed using different parameters (e.g., different PN offsets, different circuits). The user terminal can also combine the processed results (similar to that performed by a rake receiver) to generate a combined result having improved performance.

The above multiplexing, transmission, and signaling schemes have been described for the forward link transmission from the base station to the user terminal. At least some of the concepts described herein can be applied for the reverse link transmission from the user terminal to the base station.

As shown above, the transmitter unit and receiver unit are each implemented with various processing units that include various types of data processor, encoders, IFFTs, FFTs, demultiplexers, combiners, and so on. These processing units can be implemented in various manners such as an application specific integrated circuit (ASIC), a digital signal processor, a microcontroller, a microprocessor, or other

electronic circuits designed to perform the functions described herein. Also, the processing units can be implemented with a general-purpose processor or a specially designed processor operated to execute instruction codes that achieve the functions described herein. Thus, the processing units described herein can be implemented using hardware, software, or a combination thereof.

The foregoing description of the preferred embodiments is provided to enable any person skilled in the art to make or use the present invention. Various modifications to these embodiments will be readily apparent to those skilled in the art, and the generic principles defined herein may be applied to other embodiments without the use of the inventive faculty. Thus, the present invention is not intended to be limited to the embodiments shown herein but is to be accorded the widest scope consistent with the principles and novel features disclosed herein.

What is claimed is:

1. A transmitter unit for use in a multi-carrier communication system, comprising:

[one] two or more encoders, said [one] two or more encoders operative to receive and code a respective channel data stream to generate a corresponding coded data stream, *thereby generating two or more coded data streams*;

a symbol mapping element coupled to the [one] two or more encoders and operative to receive and map data from [one] the two or more coded data streams to generate modulation symbol vectors, wherein each modulation symbol vector includes a plurality of data values used to modulate a plurality of tones to generate an OFDM symbol, wherein the data from each coded data stream is mapped to a respective set of [one] two or more circuits, and wherein each circuit includes a particular set of [one] two or more tones; and  
a modulator coupled to the symbol mapping element and operative to receive and modulate the modulation symbol vectors to provide a modulated signal.

2. The transmitter unit of claim 1, further comprising:

[one] two or more scaling elements coupled to the [one] two or more encoders, each scaling element operative to receive and scale a respective coded data stream with a particular scaling factor to generate a corresponding scaled data stream that is then provided to the symbol mapping element.

3. The transmitter unit of claim 1, wherein the modulator includes

an inverse Fourier transform unit operative to receive the modulation symbol vectors and generate a time-domain representation of each modulation symbol vector to provide a corresponding OFDM symbol,

a cyclic prefix generator coupled to the inverse Fourier transform unit and operative to repeat a portion of each OFDM symbol to generate a corresponding transmission symbol, and

an upconverter coupled to the cyclic prefix generator and operative to modulate transmission symbols to generate the modulated signal.

4. The transmitter unit of claim 1, wherein data for each channel data stream is transmitted in packets.

5. The transmitter unit of claim 4, wherein each packet includes

a packet type identifier indicative of a change in circuit to be used to transmit a next packet, and

a circuit identifier indicative of a particular circuit to be used to transmit the next packet.

35

6. The transmitter unit of claim 4, wherein transmissions for each channel data stream occur over slots, and wherein each slot includes a plurality of OFDM symbols.

7. The transmitter unit of claim 6, wherein a low rate transmission is achieved by transmitting a packet on a particular circuit every particular number of slots.

8. The transmitter unit of claim 6, wherein each slot is divided into two or more partitions, and wherein each partition includes one or more OFDM symbols and supports one or more types of service.

9. The transmitter unit of claim 8, wherein a first partition of each slot supports a first type of service having a first processing delays requirements and a second partition of each slot supports a second type of service having a second processing delays requirements.

10. The transmitter unit of claim 9, wherein the first type of service is full duplex real time services, and wherein the second type of service is half duplex real time services or non real time services, or both.

11. The transmitter unit of claim 6, wherein full rate data for a particular channel data stream is transmitted via a first circuit and lower rate data is transmitted via a second circuit.

12. The transmitter unit of claim 11, wherein the second circuit is transmitted once every particular number of slots.

13. The transmitter unit of claim 11, wherein the second circuit has a lower capacity than the first circuit.

14. The transmitter unit of claim 11, wherein an indication to use the second circuit is sent in a field of a packet transmitted on the first circuit.

15. The transmitter unit of claim 11, wherein an indication to use the first circuit is [send] sent on a control channel.

16. The transmitter unit of claim 11, wherein a new circuit is utilized after receiving an acknowledgment of receipt of an indication to use the new circuit.

17. The transmitter unit of claim 4, wherein each packet includes a user identifier indicative of an intended recipient of the packet.

18. The transmitter unit of claim 1, wherein each circuit includes a plurality of tones from a plurality of OFDM symbols.

19. The transmitter unit of claim 1, wherein each circuit includes a plurality of tones from a single OFDM symbol.

20. The transmitter unit of claim 1, wherein each circuit includes all tones from one or more OFDM symbols.

21. The transmitter unit of claim 1, further comprising:

[one] two or more cover elements coupled to the [one] two or more encoders, each cover element operative to receive and cover a respective coded data stream with a particular Walsh sequence to generate a corresponding covered data stream.

22. The transmitter unit of claim 21, further comprising:

[one] two or more scaling elements coupled to the [one] two or more cover elements, each scaling element operative to receive and scale a respective covered data stream with a particular scaling factor to generate a corresponding scaled data stream.

23. The transmitter unit of claim 22, further comprising: a summer coupled to the [one] two or more scaling elements and operative to receive and sum [one] two or more scaled data streams.

24. The transmitter unit of claim 21, wherein each Walsh sequence is transmitted over multiple tones of each of the OFDM symbols used for the Walsh sequence.

25. The transmitter unit of claim 21, wherein the length of the Walsh sequence is matched to the number of tones in each OFDM symbol.

36

26. A transmitter unit for use in a multi-carrier communication system, comprising:

[one] two or more encoders, said [one] two or more encoders operative to receive and code a respective channel data stream to generate a corresponding coded data stream, *thereby generating two or more coded data streams*;

a symbol mapping element coupled to the [one] two or more encoders and operative to receive and map data from [one] the two or more coded data streams to generate modulation symbol vectors, wherein each modulation symbol vector includes a plurality of data values used to modulate a plurality of tones to generate an OFDM symbol, wherein the data from each coded data stream is mapped to a respective set of [one] two or more circuits, and wherein each circuit includes a respective set of [one] two or more tones;

an inverse Fourier transform unit coupled to the symbol mapping element and operative to receive the modulation symbol vectors and generate a time-domain representation of each modulation symbol vector to provide a corresponding OFDM symbol;

a cyclic prefix generator coupled to the inverse Fourier transform unit and operative to repeat a portion of each OFDM symbol to generate a corresponding transmission symbol; and

an upconverter coupled to the cyclic prefix generator and operative to modulate transmission symbols to generate a modulated signal, and

wherein transmissions for [each] the two or more channel data [stream occur] *streams occurs* over slots, wherein each slot includes a plurality of OFDM symbols, and wherein full rate data for a particular channel data stream is transmitted via a first circuit and lower rate data is transmitted via a second circuit.

27. A receiver unit comprising:

an antenna operative to receive a modulated signal;

a front end processor coupled to the antenna and operative to process the received signal to generate samples;

a Fourier transform unit coupled to the front end processor and operative to receive the samples from the front end processor and generate transformed representations of the samples;

a processor coupled to the Fourier transform unit and operative to process the transformed representations to generate *at* a symbol stream corresponding to a particular transmission being processed; and

a decoder coupled to the processor and operative to receive and decode the symbol stream to generate decoded data,

wherein the modulated signal is generated by coding [one] two or more channel data streams with a particular coding scheme to generate [one] two or more coded data streams, mapping data from the [one] two or more coded data streams to generate modulation symbol vectors, and modulating the modulation symbol vectors to provide [the] a modulated signal, and wherein each modulation symbol vector includes a plurality of data values used to modulate a plurality of tones to generate an OFDM symbol, wherein the data from each coded data stream is mapped to a respective set of [one] two or more circuits, and wherein each circuit includes a respective set of [one] two or more tones.

28. A transmitter unit for use in a multi-carrier communication system, comprising:

means for receiving and coding a respective channel data stream to generate a corresponding coded data stream;

37

means for mapping data from [one] two or more coded data streams to generate modulation symbol vectors, wherein each modulation symbol vector includes a plurality of data values used to modulate a plurality of tones to generate an OFDM symbol, wherein the data from each coded data stream is mapped to a respective set of [one] two or more circuits, and wherein each circuit includes a particular set of [one] two or more tones; and

means for modulating the modulation symbol vectors to provide a modulated signal.

29. A method for transmitting in a multi-carrier communication system, comprising:

receiving and coding a respective channel data stream to generate a corresponding coded data stream;

mapping data from [one] two or more coded data streams to generate modulation symbol vectors, wherein each modulation symbol vector includes a plurality of data values used to modulate a plurality of tones to generate an OFDM symbol, wherein the data from each coded data stream is mapped to a respective set of [one] two or more circuits, and wherein each circuit includes a particular set of [one] two or more tones; and

modulating the modulation symbol vectors to provide a modulated signal.

30. The transmitter unit of claim 1, wherein the two or more circuits includes a first circuit and a second circuit different from the first circuit.

31. The transmitter unit of claim 30, wherein a first assignment for the first circuit and a second assignment for the second circuit are dynamically transmitted to a first user terminal and second user terminal, respectively, via a control channel.

32. The transmitter of claim 30, wherein the first circuit and the second circuit are different at least in size.

33. The transmitter of claim 30, wherein the first circuit and the second circuit are different at least in that the first

38

circuit and the second circuit are dedicated for use in providing different types of services.

34. The transmitter of claim 30, wherein the first circuit and the second circuit are different at least in that the first circuit is dedicated for use in providing voice services during voice activity and the second circuit is dedicated for use in providing voice services by providing a comfort noise when a user changes state from voice activity to silence.

35. The transmitter unit of claim 26, wherein the two or more circuits includes a first circuit and a second circuit different from the first circuit.

36. The transmitter unit of claim 35, wherein a first assignment for the first circuit and a second assignment for the second circuit are dynamically transmitted to a first user terminal and second user terminal, respectively, via a control channel.

37. The receiver unit of claim 27, wherein an assignment for the two or more circuits is dynamically received via a control channel.

38. The transmitter unit of claim 28, wherein the two or more circuits includes a first circuit and a second circuit different from the first circuit.

39. The transmitter unit of claim 38, wherein a first assignment for the first circuit and a second assignment for the second circuit are dynamically transmitted to a first user terminal and second user terminal, respectively, via a control channel.

40. The method of claim 29, wherein the two or more circuits includes a first circuit and a second circuit different from the first circuit.

41. The method of claim 40, wherein a first assignment for the first circuit and a second assignment for the second circuit are dynamically transmitted to a first user terminal and second user terminal, respectively, via a control channel.

\* \* \* \* \*