



US00RE47139E

(19) **United States**
(12) **Reissued Patent**
Katopo et al.

(10) **Patent Number: US RE47,139 E**
(45) **Date of Reissued Patent: Nov. 27, 2018**

(54) **PACKAGING**

(71) Applicant: **Medline Industries, Inc.**, Mundelein, IL (US)

(72) Inventors: **Juniwati Katopo**, Elgin, IL (US); **Ava K. Wilson**, Chicago, IL (US); **Brian Palmer**, Highwood, IL (US); **Emily Somers**, Cary, IL (US)

(73) Assignee: **MEDLINE INDUSTRIES, INC.**, Mundelein, IL (US)

(21) Appl. No.: **29/638,073**

(22) Filed: **Feb. 23, 2018**

Related U.S. Patent Documents

Reissue of:

(64) Patent No.: **Des. 749,945**
Issued: **Feb. 23, 2016**
Appl. No.: **29/499,169**
Filed: **Aug. 12, 2014**

U.S. Applications:

(62) Division of application No. 29/449,752, filed on Mar. 15, 2013, now Pat. No. Des. 710,687.

(51) **LOC (11) Cl.** **09-03**

(52) **U.S. Cl.**
USPC **D9/432**

(58) **Field of Classification Search**
USPC D9/430-434, 414, 417, 418, 420-424, D9/427, 707-708; D3/272, 273, 294, D3/302, 304, 315; D7/601, 602, 612
CPC B65D 5/00; B65D 5/0209; B65D 5/029; B65D 5/40; B65D 5/72; B65D 5/727
See application file for complete search history.

(56) **References Cited**

U.S. PATENT DOCUMENTS

D357,861 S * 5/1995 Sawa et al. D9/432
D379,759 S * 6/1997 Mulry D9/416
D391,481 S * 3/1998 Oxley D9/432

D396,806 S * 8/1998 Burke et al. D9/432
D460,689 S * 7/2002 Robinson D9/416
D552,984 S * 10/2007 Baron D9/418
D608,636 S * 1/2010 Seol D9/432
8,061,587 B2 * 11/2011 Blin B65D 5/542
206/427
D651,097 S * 12/2011 Charles D9/721

(Continued)

Primary Examiner — Darlington Ly

(74) *Attorney, Agent, or Firm* — McAndrews, Held & Malloy, Ltd.

(57) **CLAIM**

The ornamental design for packaging, as shown and described.

DESCRIPTION

FIG. 1 is a front perspective view of packaging showing our new design;
FIG. 2 is a front elevation view thereof;
FIG. 3 is a rear elevation view thereof;
FIG. 4 is a right side elevation view thereof;
FIG. 5 is a left side elevation view thereof;
FIG. 6 is a top plan view thereof; and,
FIG. 7 is a bottom plan view thereof.

The stippled areas represent areas of contrasting appearance to the adjacent non-stippled areas.

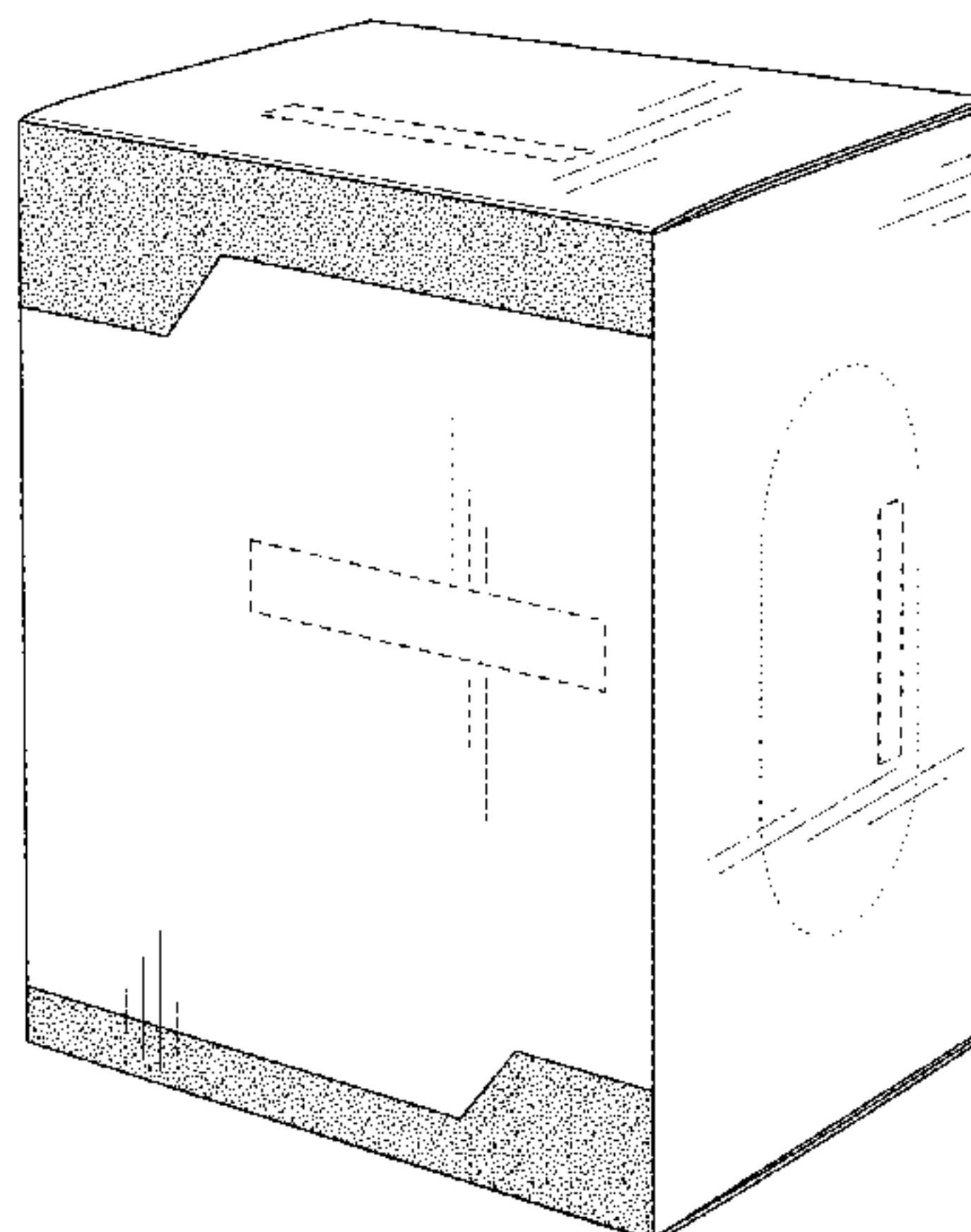
The dotted lines shown in FIGS. 1 and 4 represent perforations and form no part of the claimed design.

The vertical and horizontal shade lines in the figures are used to show that the surfaces are substantially planar and not to be interpreted as surface ornamentation.

The even-length dashed broken line rectangles in FIGS. 1 to 6 illustrate portions of the packaging that form no part of the claimed design.

1 Claim, 4 Drawing Sheets

Matter enclosed in heavy brackets [] appears in the original patent but forms no part of this reissue; matter printed in italics indicates the additions made by reissue.



(AMENDED)

(56)

References Cited

U.S. PATENT DOCUMENTS

D675,521 S * 2/2013 Gregory et al. D9/434
D680,862 S * 4/2013 Thompson et al. D9/432
D684,467 S * 6/2013 Macaulay et al. D9/432
8,453,919 B2 * 6/2013 Eckermann B65D 71/36
229/117.13
D710,215 S * 8/2014 Palmer et al. D9/734
D710,687 S * 8/2014 Katopo D9/432
D714,137 S * 9/2014 Katopo et al. D9/433
D721,956 S * 2/2015 Katopo D9/630
D722,265 S * 2/2015 Katopo et al. D9/630
D740,652 S * 10/2015 Makhsudova D9/418
D741,710 S * 10/2015 Katopo D9/433
D749,945 S * 2/2016 Katopo D9/432
D758,181 S * 6/2016 Lutz D9/416
D760,072 S * 6/2016 Lutz D9/416
D764,271 S * 8/2016 Sanfilippo D9/416
D764,903 S * 8/2016 Sanfilippo D9/416
D772,060 S * 11/2016 O'Dowd D9/432
D772,061 S * 11/2016 O'Dowd D9/432
D784,806 S * 4/2017 Gasior D9/432
D794,441 S * 8/2017 Boston D9/414
D794,442 S * 8/2017 Boston D9/414
D798,140 S * 9/2017 Frick D9/414
D798,702 S * 10/2017 Boston D9/414
D798,704 S * 10/2017 Hainaut D9/418
D801,799 S * 11/2017 Boston D9/414
D807,165 S * 1/2018 Lyle D9/414
D807,166 S * 1/2018 Lyle D9/414
D813,030 S * 3/2018 Powers D9/434
D813,666 S * 3/2018 Habig D9/432

* cited by examiner

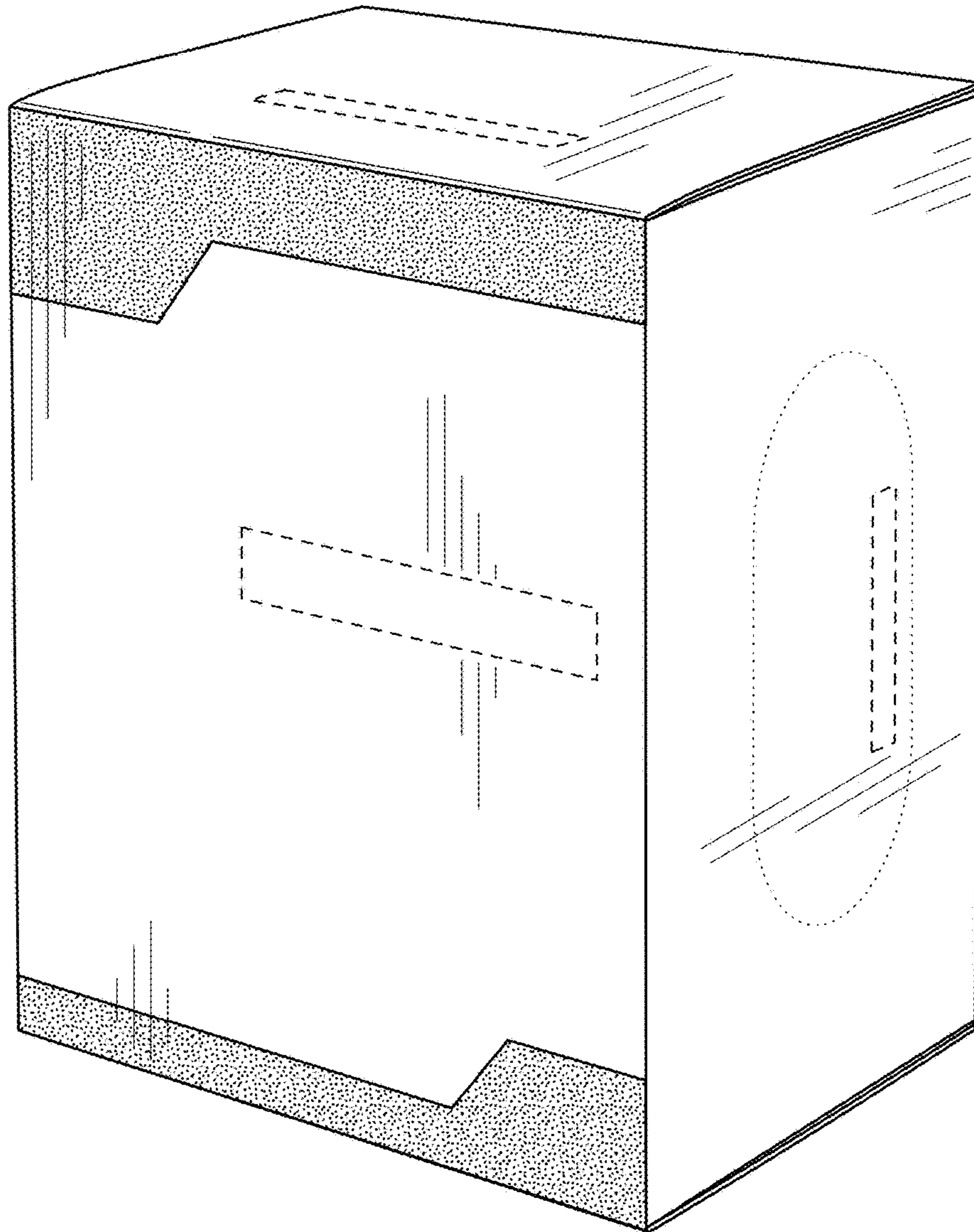


FIG. 1
(AMENDED)

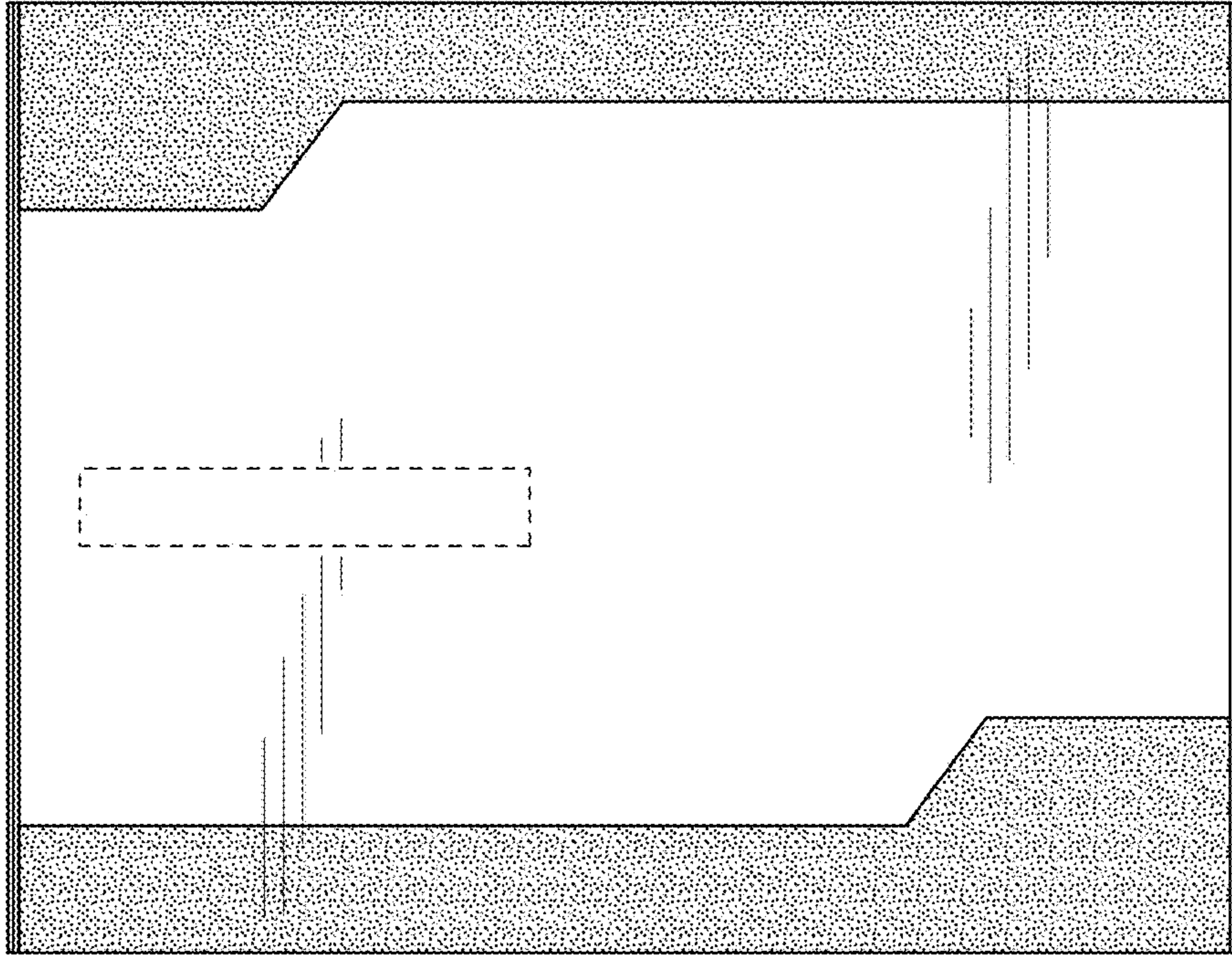


FIG. 3
(AMENDED)

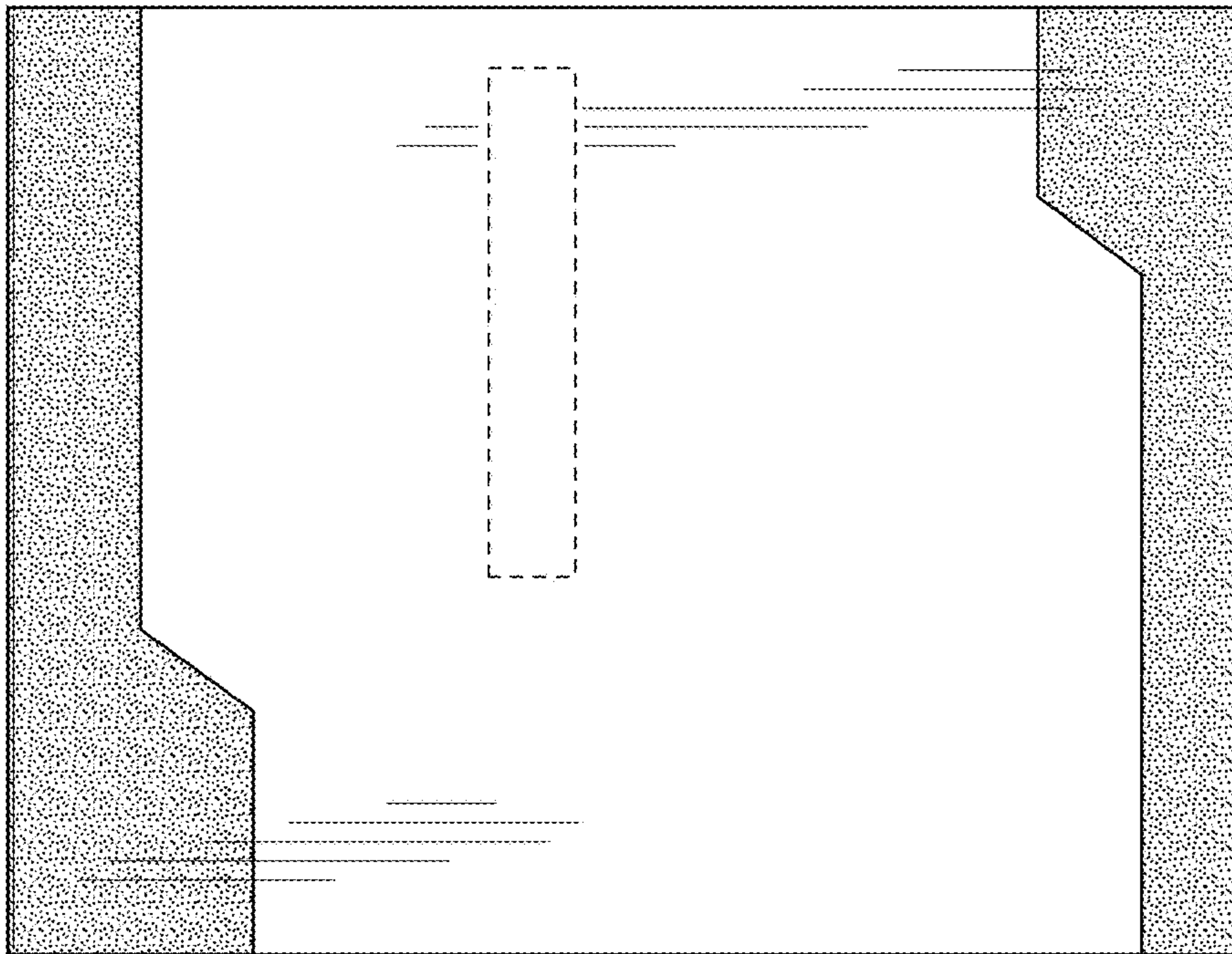


FIG. 2
(AMENDED)

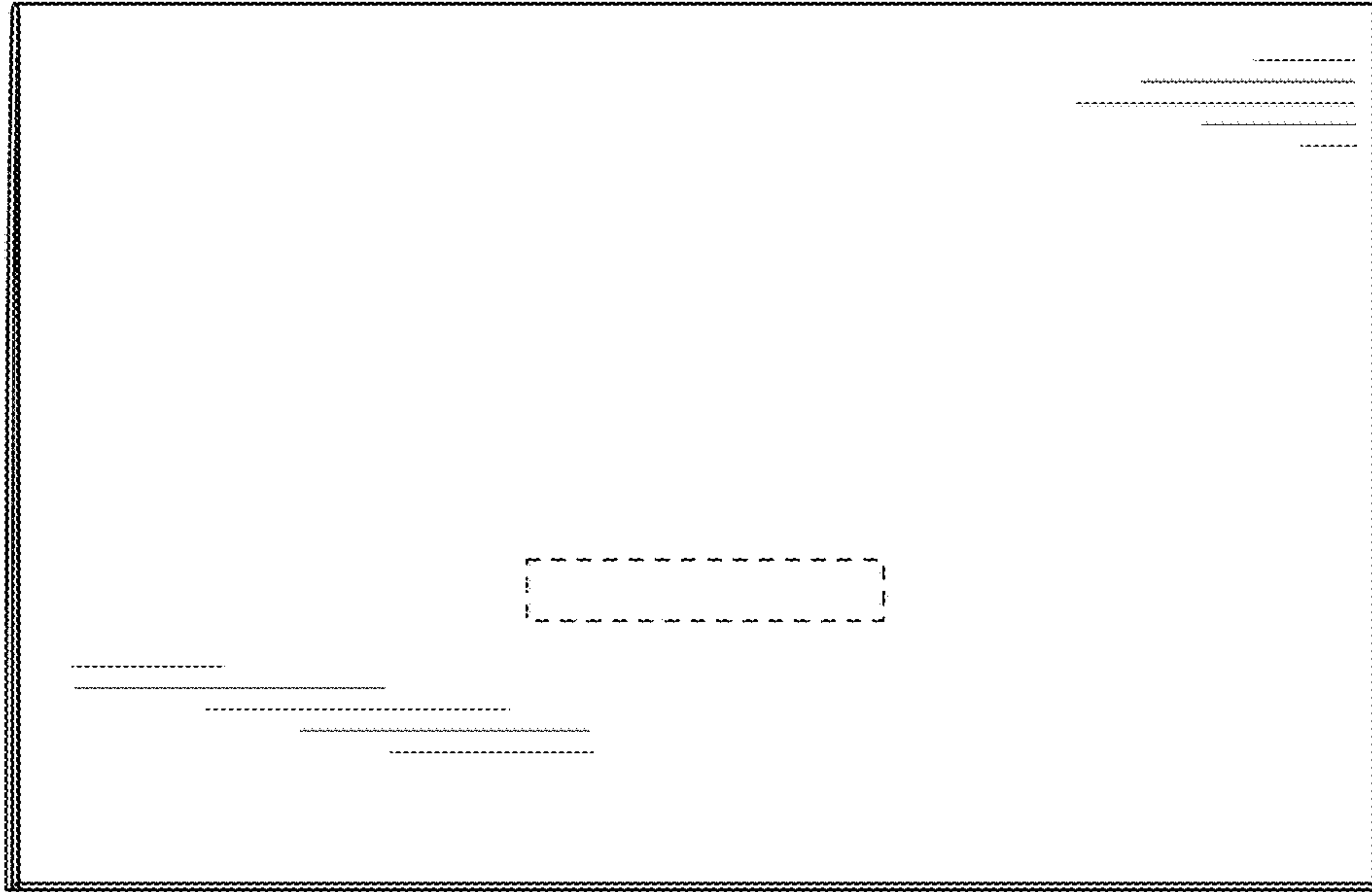


FIG. 5
(AMENDED)

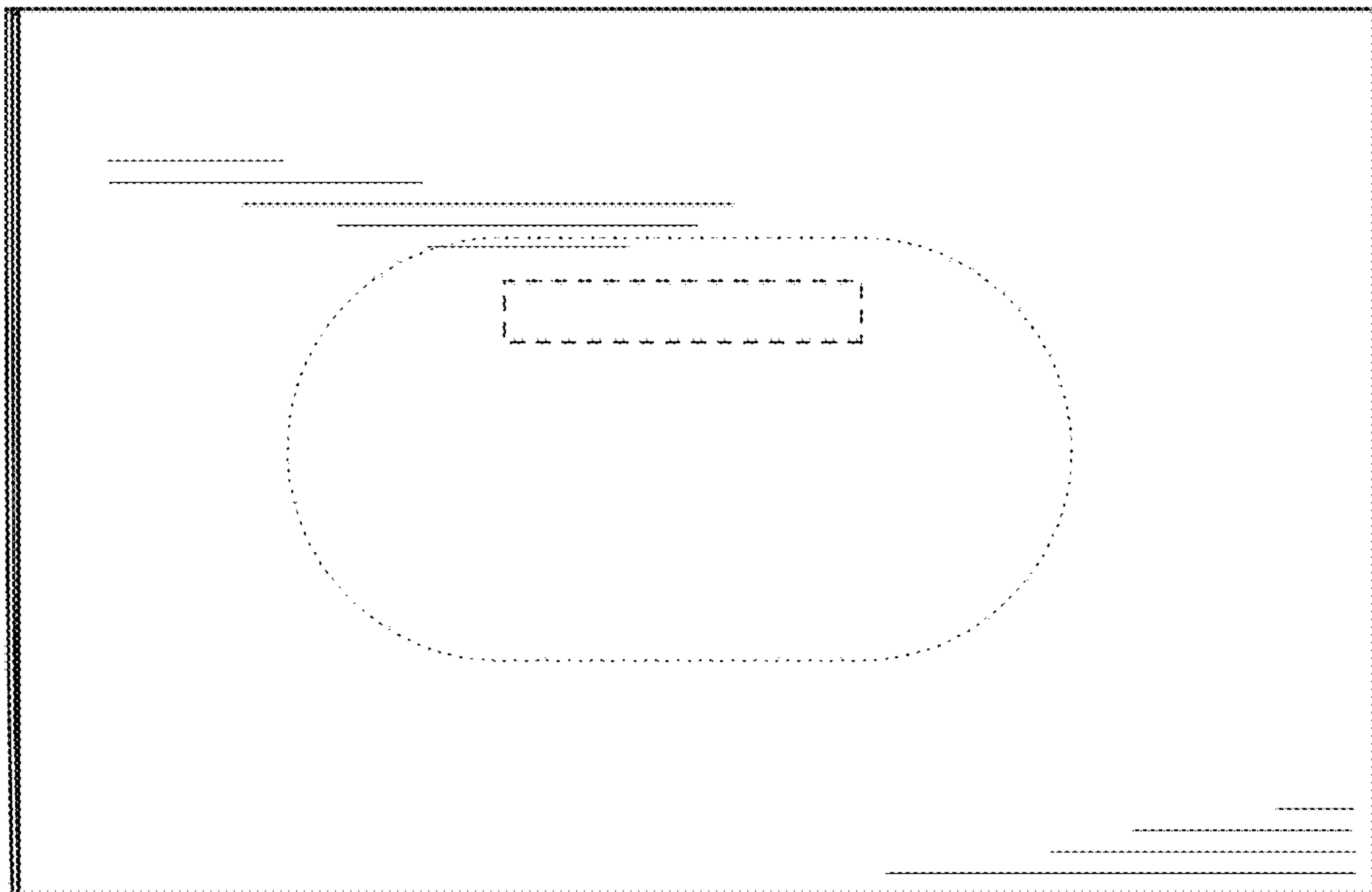


FIG. 4
(AMENDED)

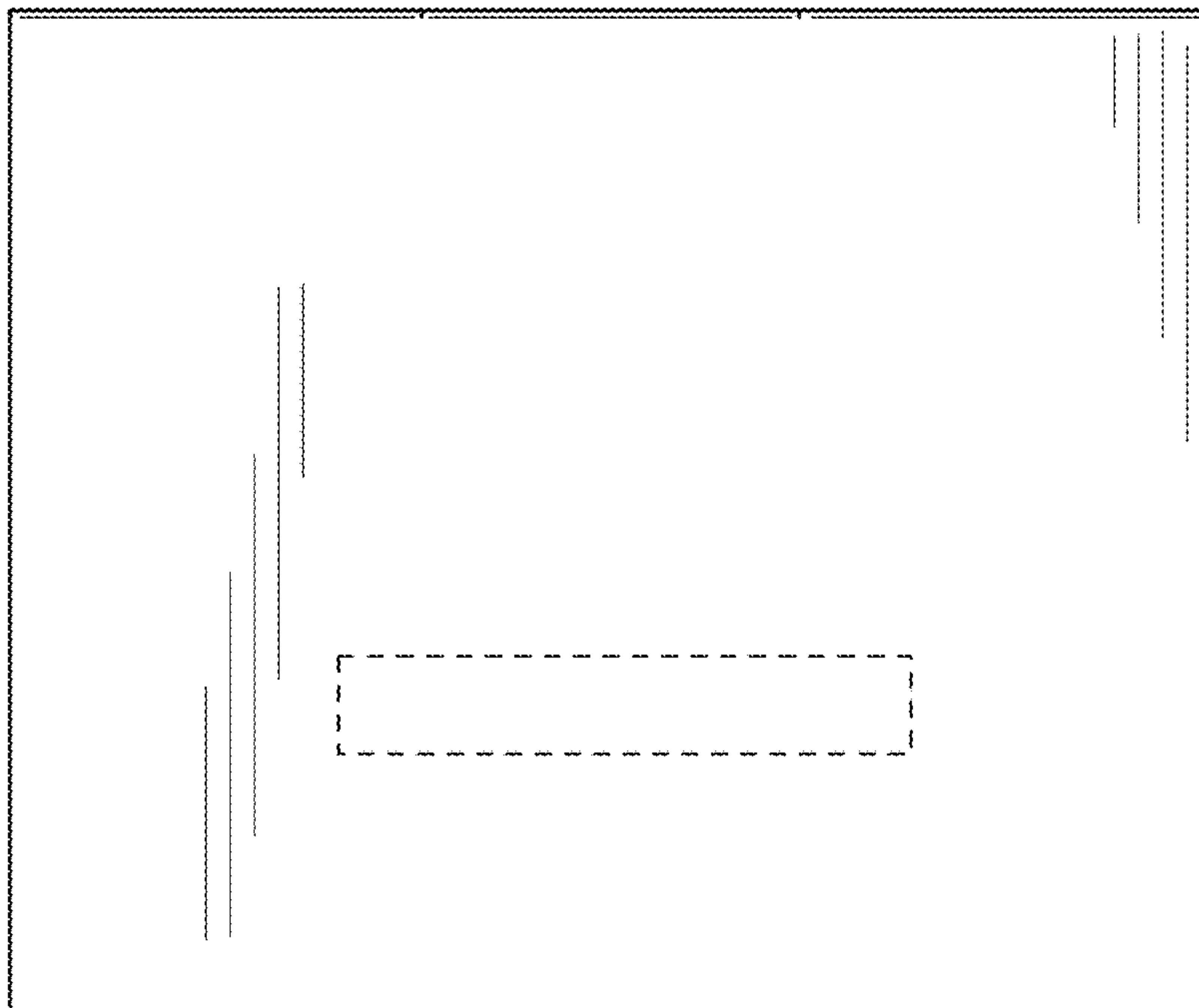


FIG. 6
(AMENDED)



FIG. 7