



US00RE47109E

(19) **United States**
 (12) **Reissued Patent**
Hasuda et al.

(10) **Patent Number: US RE47,109 E**
 (45) **Date of Reissued Patent: Oct. 30, 2018**

(54) **ADAPTER, CAMERA SYSTEM, AND ADAPTER CONTROL PROGRAM**
 (71) Applicant: **NIKON CORPORATION**, Tokyo (JP)
 (72) Inventors: **Masanori Hasuda**, Fujisawa (JP);
Masafumi Oikawa, Mitaka (JP);
Noriaki Nakajima, Yokohama (JP);
Shunji Nagaya, Kamakura (JP)

2008/0117304 A1 5/2008 Koyama
 2008/0267601 A1 10/2008 Kobayashi
 2009/0096903 A1 4/2009 Kusaka
 2009/0268078 A1 10/2009 Miyazaki et al.
 2010/0091175 A1 4/2010 Shintani et al.
 2011/0052185 A1 3/2011 Urakami et al.
 2011/0158629 A1 6/2011 Kamiya et al.
 2013/0022348 A1* 1/2013 Hasuda et al. 396/530

(73) Assignee: **NIKON CORPORATION**, Tokyo (JP)
 (21) Appl. No.: **15/192,022**
 (22) Filed: **Jun. 24, 2016**

FOREIGN PATENT DOCUMENTS

CN	102111548 A	6/2011
GB	2469332 A	10/2010
JP	A-04/281435	10/1992
JP	H04-281435 A	10/1992
JP	A-05-181188	7/1993
JP	H05-181188 A	7/1993
JP	A-07-333674	12/1995
JP	H07-333674 A	12/1995
JP	2000-066288 A	3/2000
JP	A-2000-066288	3/2000
JP	2002-290828 A	10/2002
JP	A-2002-290828	10/2002
JP	2006-215310 A	8/2006
JP	2008-129425 A	6/2008
JP	A-2008-129425	6/2008
JP	2008-233235 A	10/2008
JP	2008-275890 A	11/2008
JP	A-2008-275890	11/2008
JP	2009-094881 A	4/2009
JP	A-2009-094881	4/2009
JP	2009-282457 A	12/2009
JP	2009-290863 A	12/2009
JP	A-2009-282457	12/2009
JP	A-2009-290863	12/2009
JP	2011-053437 A	3/2011
JP	A-2011-053437	3/2011
WO	2008/099605 A1	8/2008
WO	WO 2008/099605 A1	8/2008

Related U.S. Patent Documents

Reissue of:

(64) Patent No.: **8,757,904**
 Issued: **Jun. 24, 2014**
 Appl. No.: **13/553,464**
 Filed: **Jul. 19, 2012**

U.S. Applications:

(60) Provisional application No. 61/606,745, filed on Mar. 5, 2012.

(30) Foreign Application Priority Data

Jul. 22, 2011 (JP) 2011-161387

(51) Int. Cl.

G03B 17/14 (2006.01)
H04N 5/225 (2006.01)
H04N 5/232 (2006.01)
G03B 17/56 (2006.01)
G03B 9/02 (2006.01)

(52) U.S. Cl.

CPC **H04N 5/2254** (2013.01); **G03B 17/14**
 (2013.01); **G03B 17/565** (2013.01); **H04N**
5/23212 (2013.01); **H04N 5/23241** (2013.01);
G03B 9/02 (2013.01); **G03B 2206/00**
 (2013.01)

(58) Field of Classification Search

CPC **H04N 5/2254**; **H04N 5/23212**; **H04N**
5/23241; **G03B 17/565**; **G03B 17/14**;
G03B 2206/00; **G03B 9/02**
 USPC 348/362, 363, 372, 373, 374, 375;
 396/71, 257, 258, 259, 260, 261, 262,
 396/263, 449, 458, 460, 505, 506, 509,
 396/529, 530, 531, 532, 541
 See application file for complete search history.

(56) References Cited

U.S. PATENT DOCUMENTS

4,518,239 A * 5/1985 Tomori 396/71
 5,257,058 A * 10/1993 Mabuchi G03B 17/14
 348/240.3
 5,382,994 A * 1/1995 Naito et al. 396/530
 5,455,650 A * 10/1995 Fujiwara G03B 17/14
 348/335
 5,548,369 A * 8/1996 Iijima 396/71
 6,717,618 B1 4/2004 Yoshikawa
 8,718,463 B2 5/2014 Kamiya et al.
 8,757,904 B2 6/2014 Hasuda et al.

OTHER PUBLICATIONS

Feb. 19, 2014 Notice of Allowance issued in U.S. Appl. No. 13/553,464.
 Jun. 4, 2013 Office Action dated in Japanese Patent Application No. 2011-161387.
 Jul. 26, 2013 Office Action dated in U.S. Appl. No. 13/553,464.
 Apr. 28, 2018 Office Action dated in Indian Application No. 2275/DEL/2012.
 Jun. 4, 2013 Office Action issued in Japanese Patent Application No. 2011-161387 (with English Translation).

* cited by examiner

Primary Examiner — Kenneth J Whittington

(74) Attorney, Agent, or Firm — Oliff PLC

(57) ABSTRACT

An adapter includes: a first mount section that is detachably attached to a camera body; a second mount section that is provided separately from the first mount section and is detachably attached to any one of a plurality of types of interchangeable lenses which are different from each other in a method of controlling a diaphragm; and an accessory control section that controls the diaphragm of the interchangeable lens in response to a common control command which is received from the camera body regardless of the type of the interchangeable lens mounted on the second mount section.

21 Claims, 23 Drawing Sheets

FIG. 1

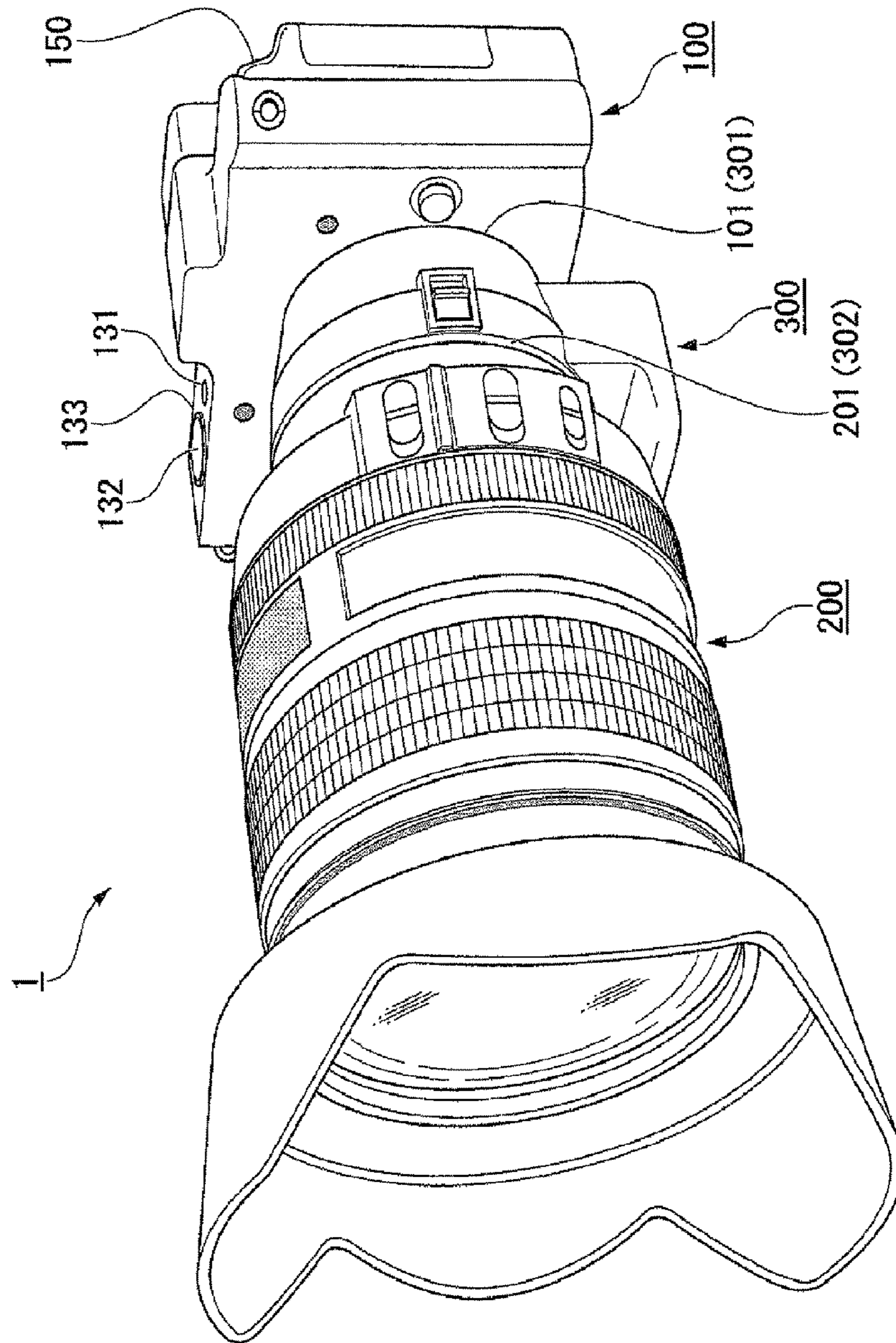
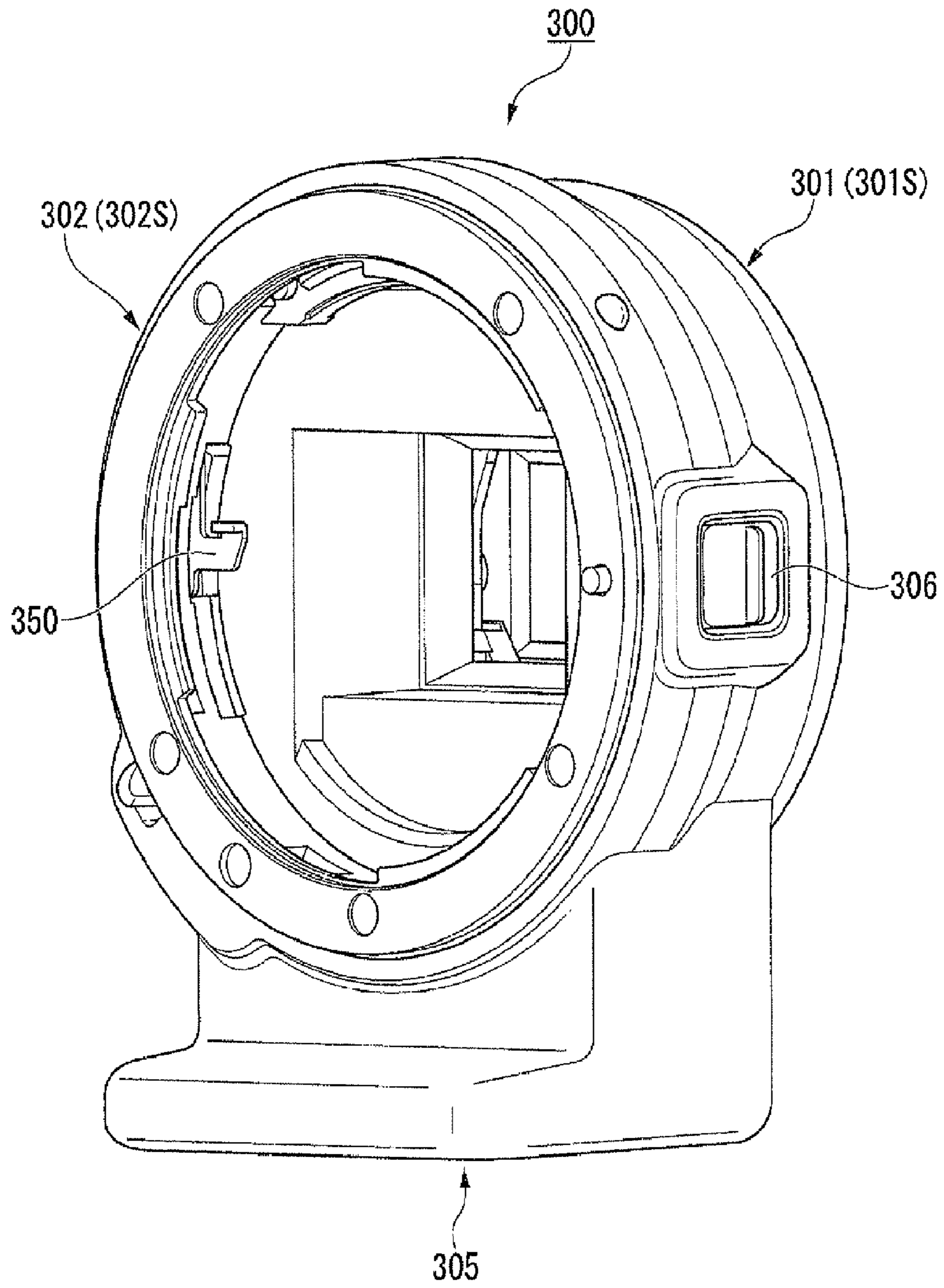


FIG. 2



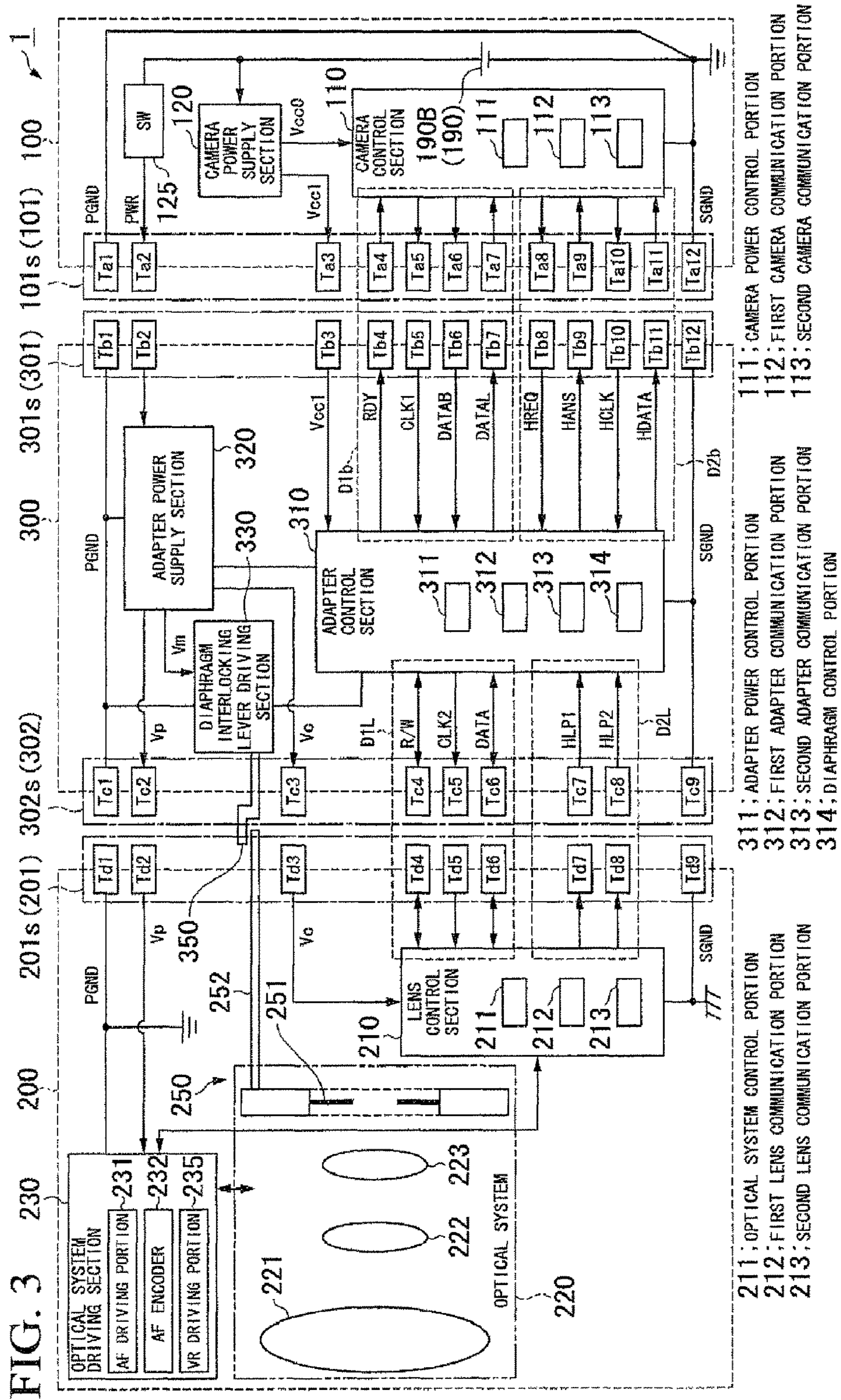
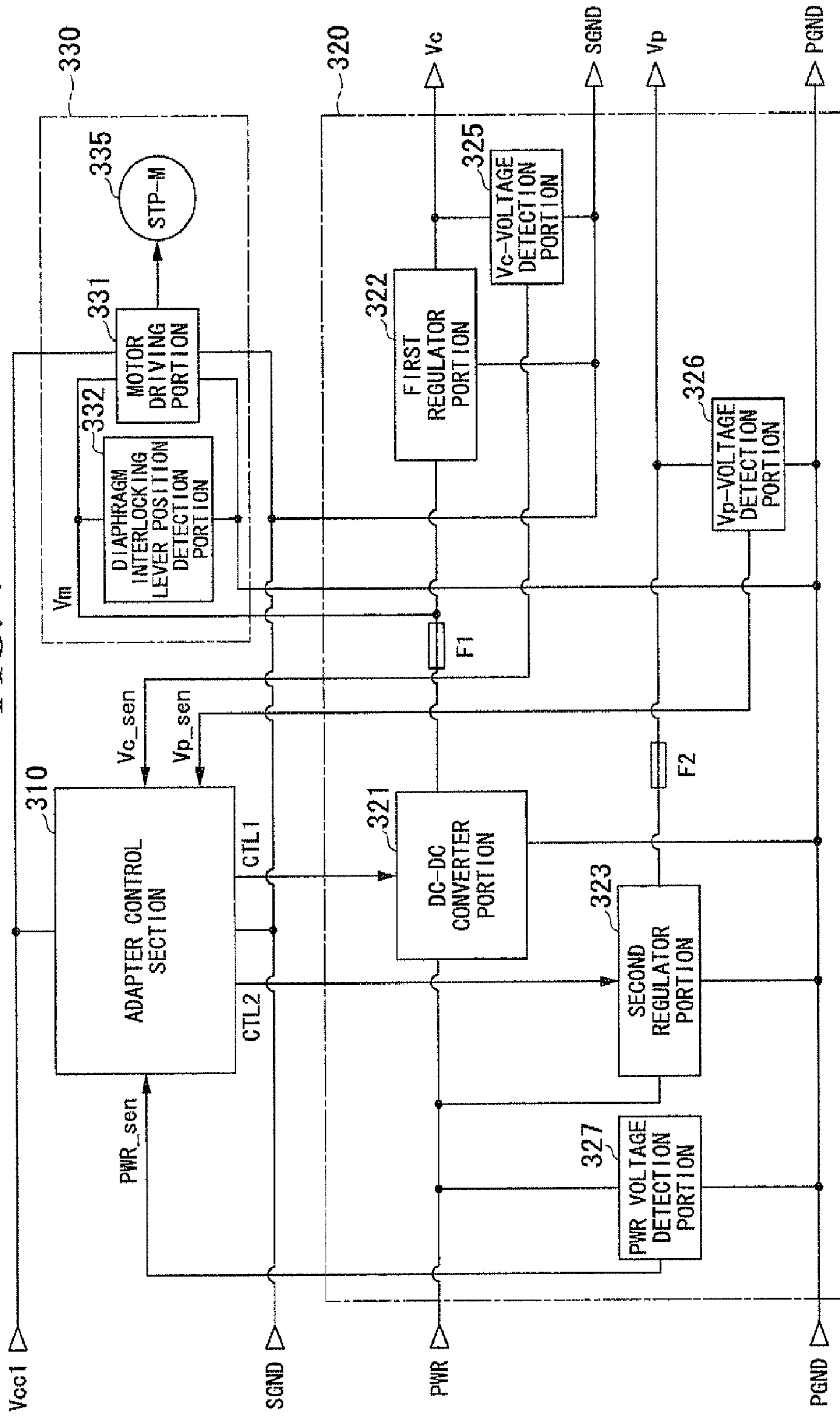
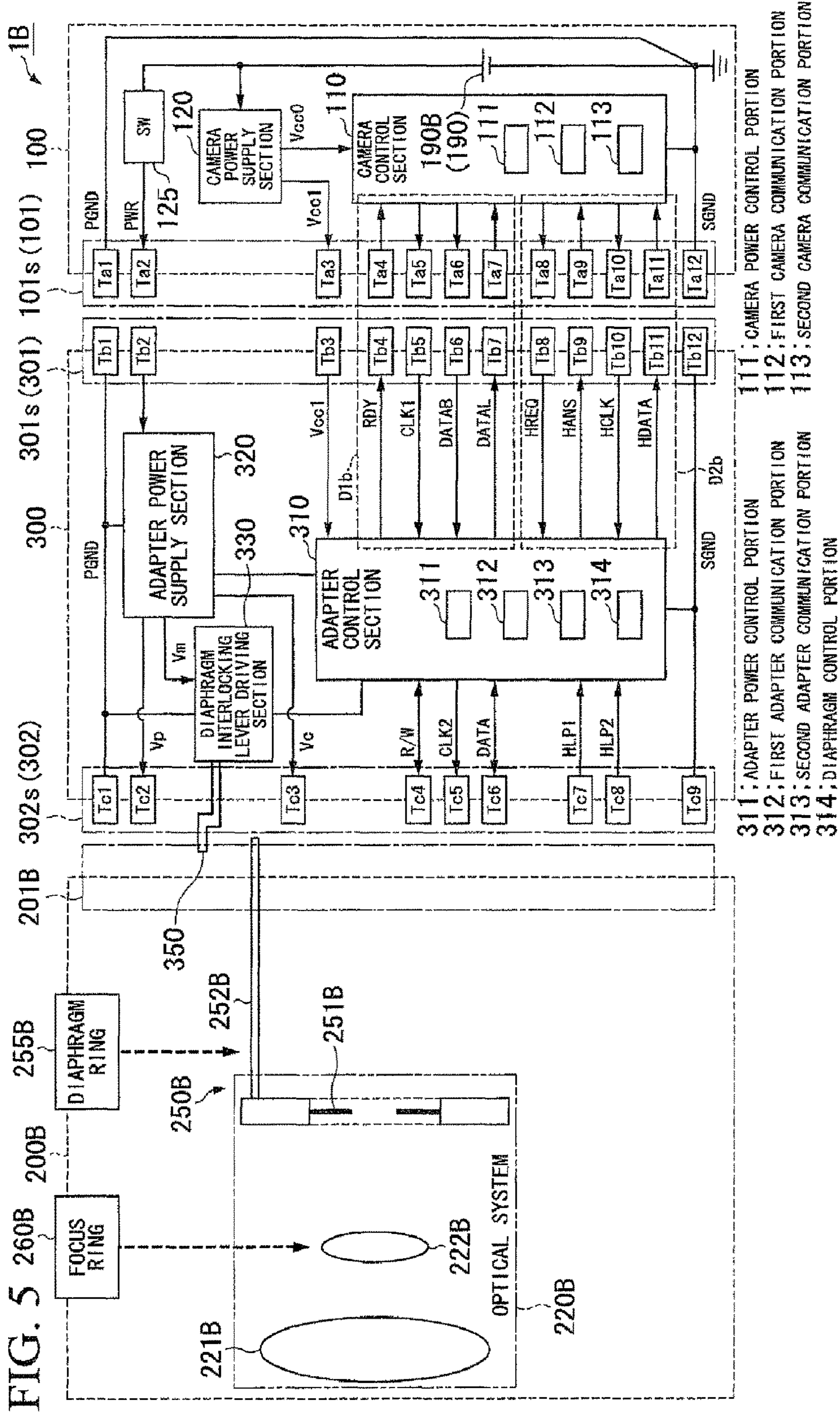


FIG. 4





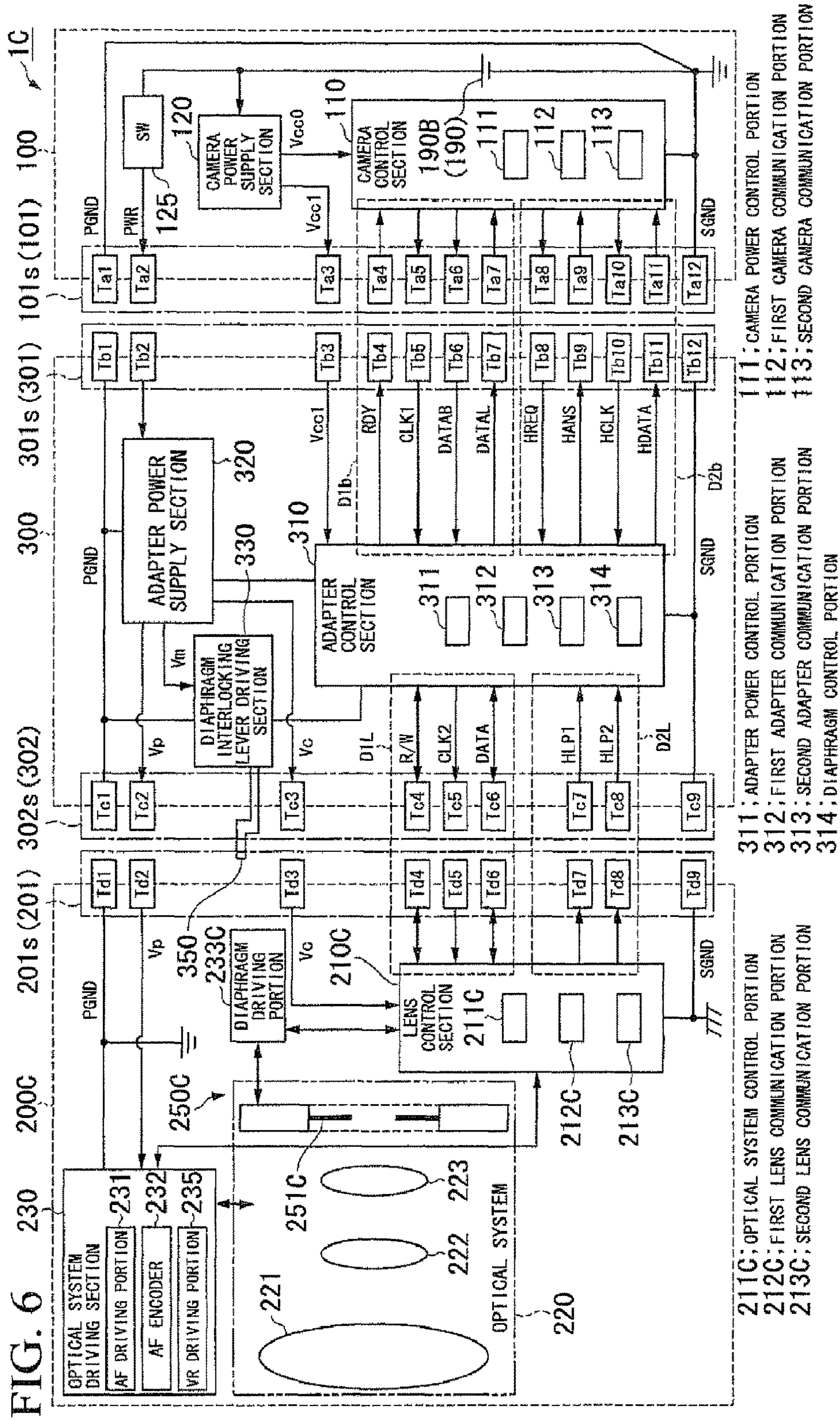
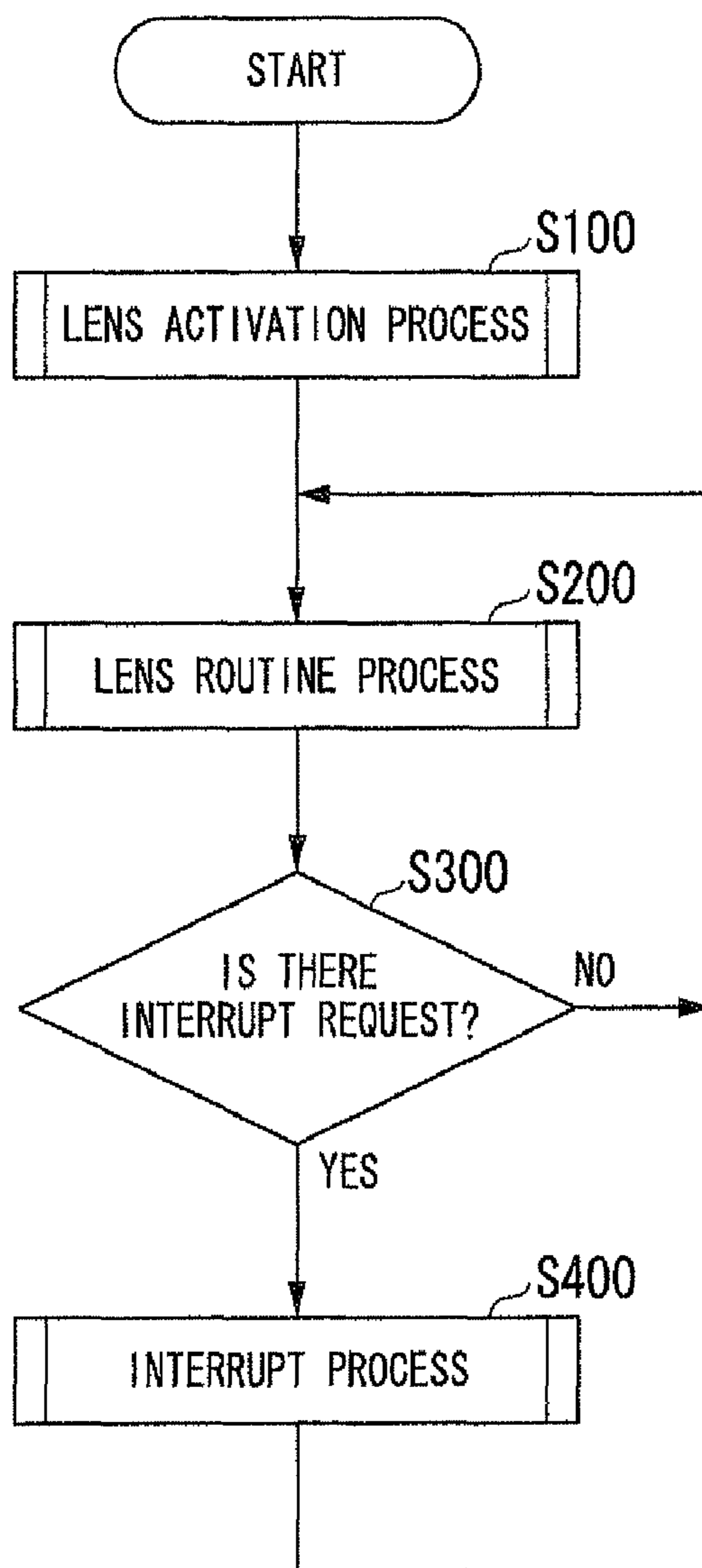


FIG. 8



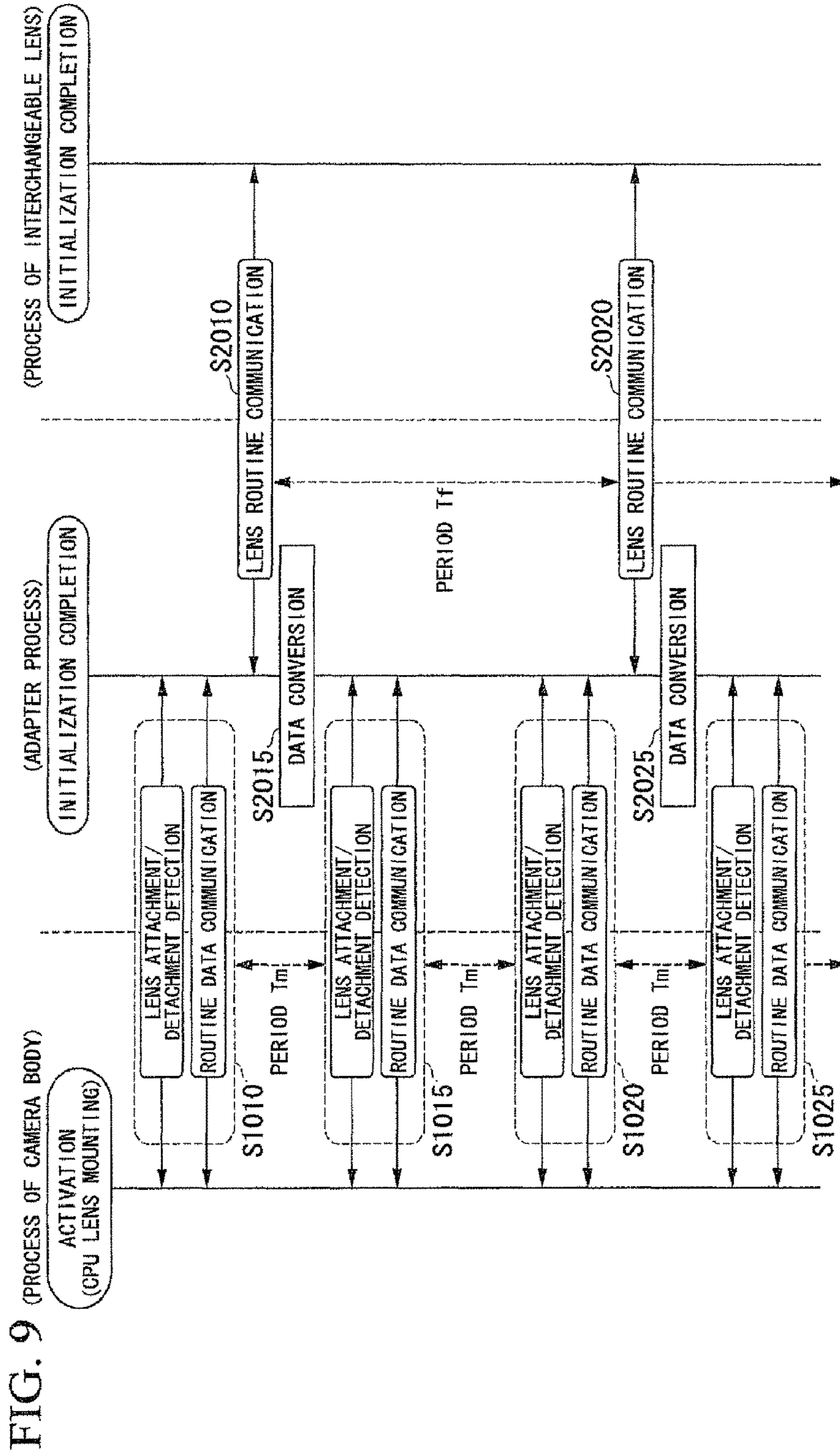
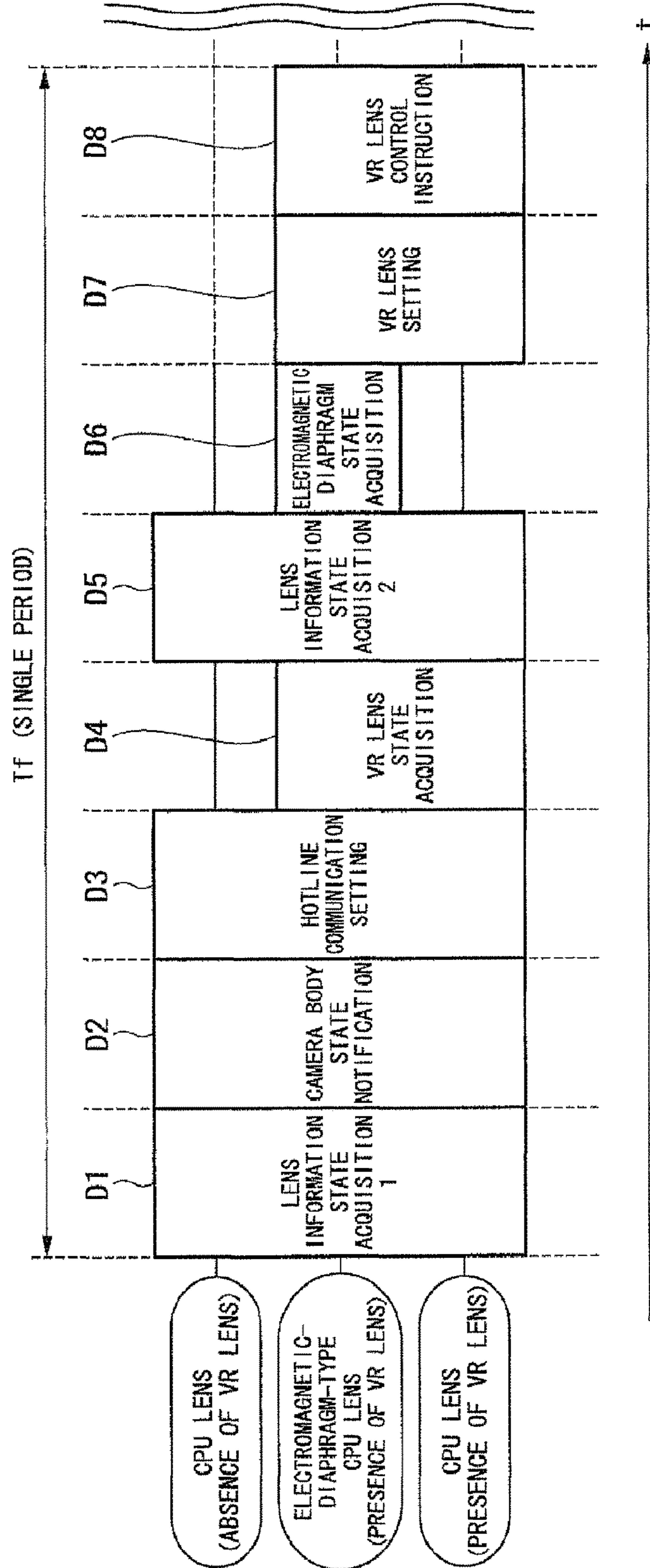
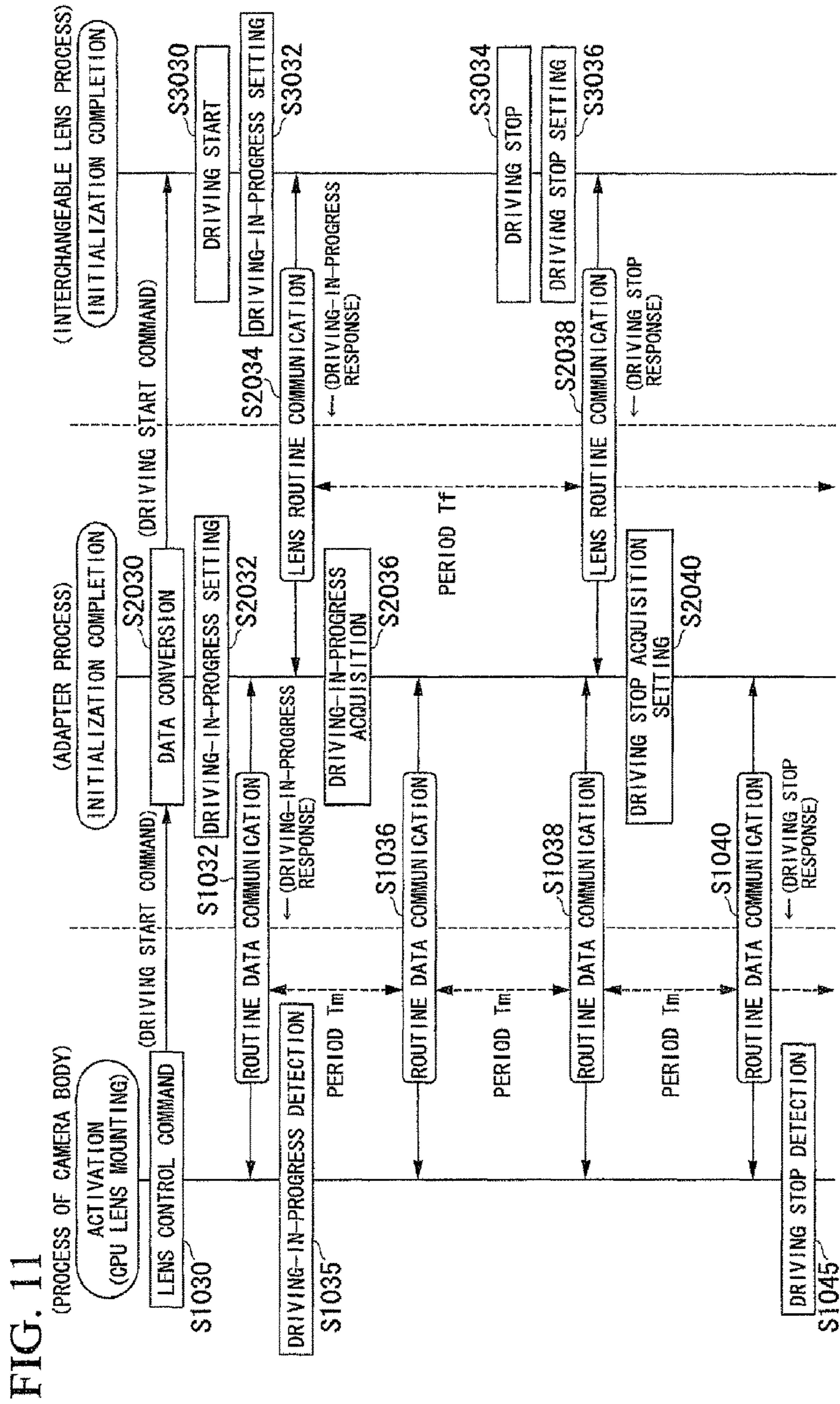
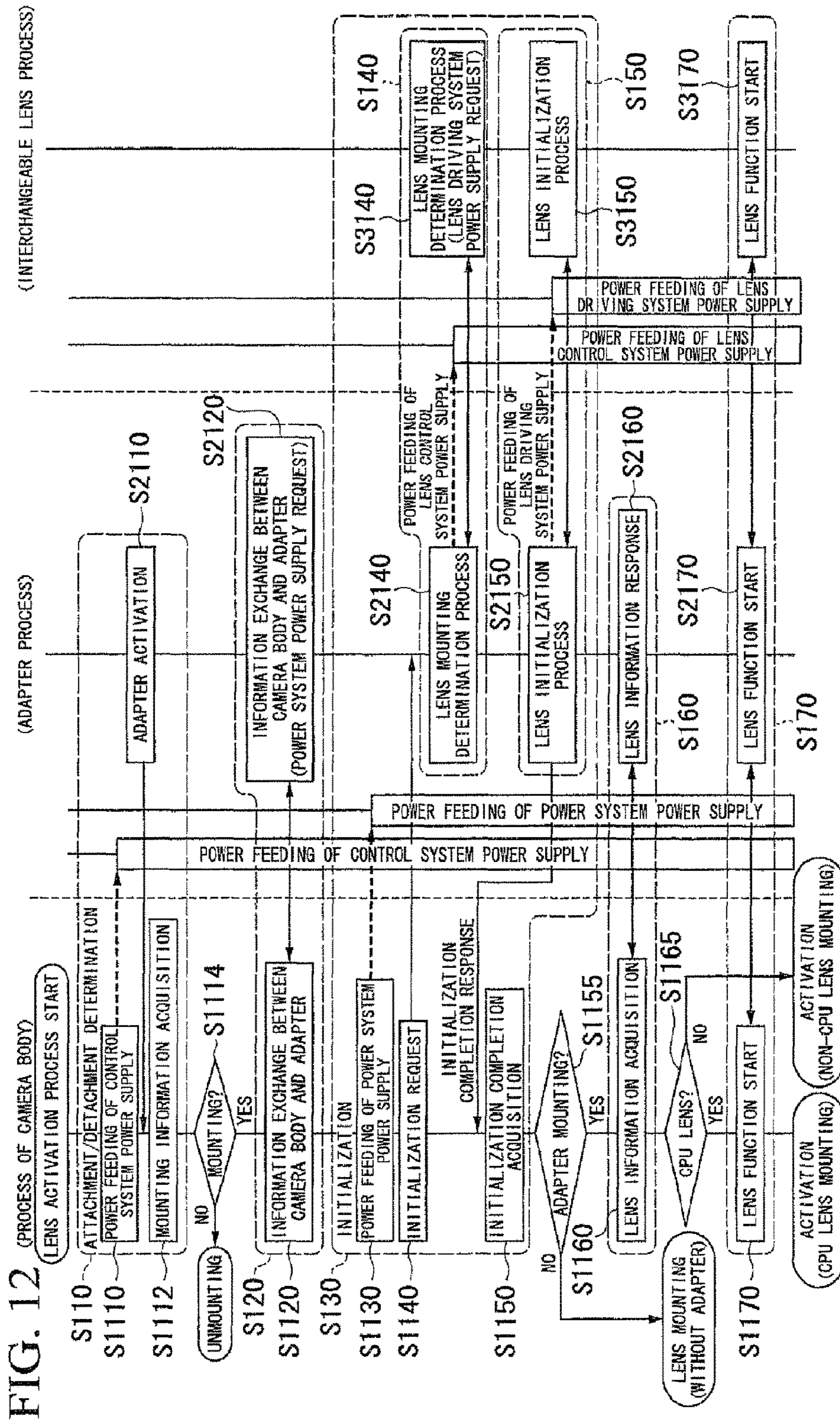


FIG. 10







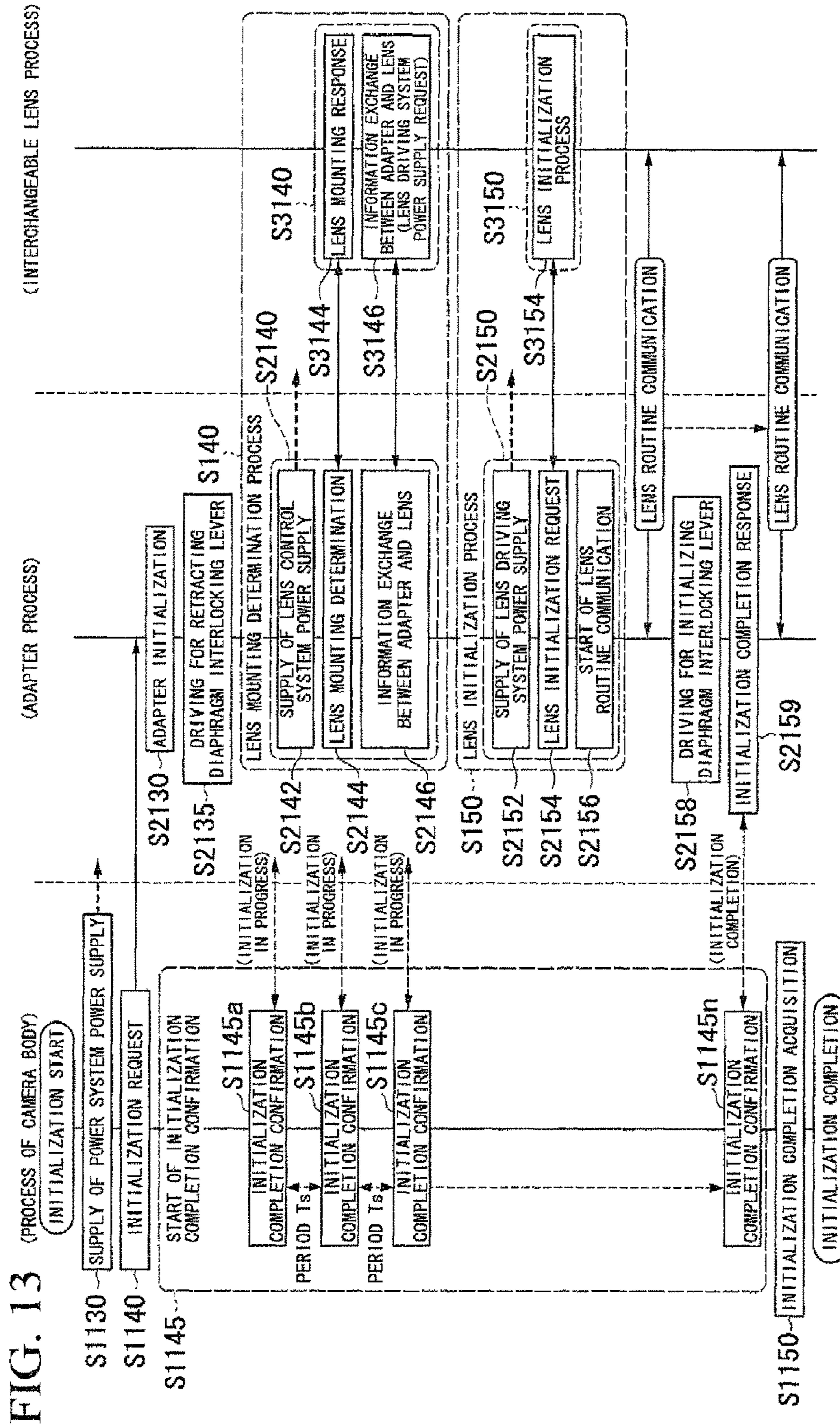


FIG. 14A

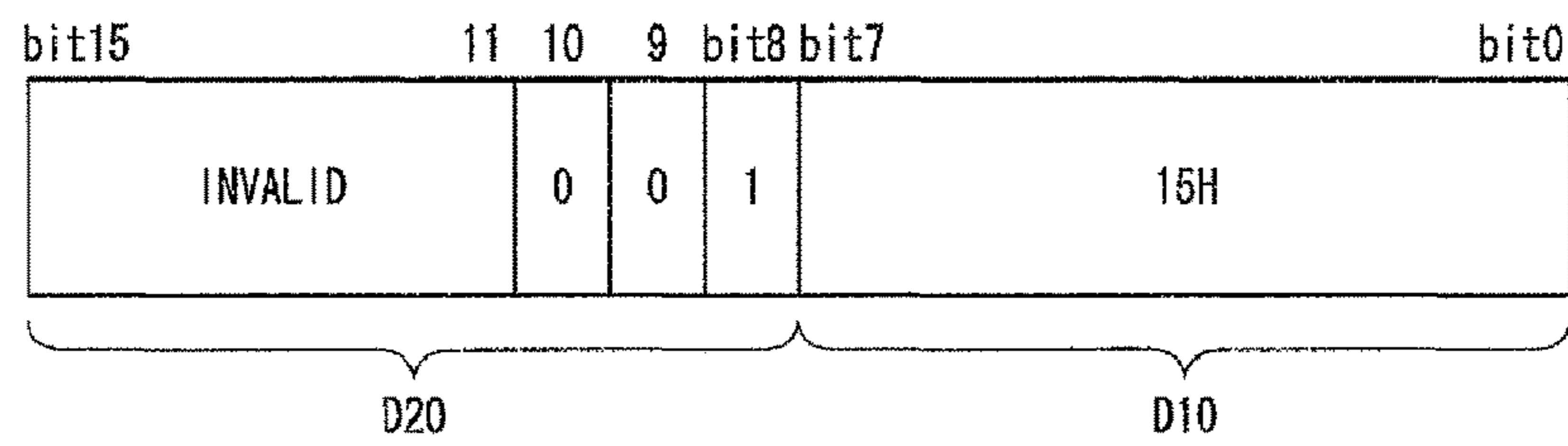
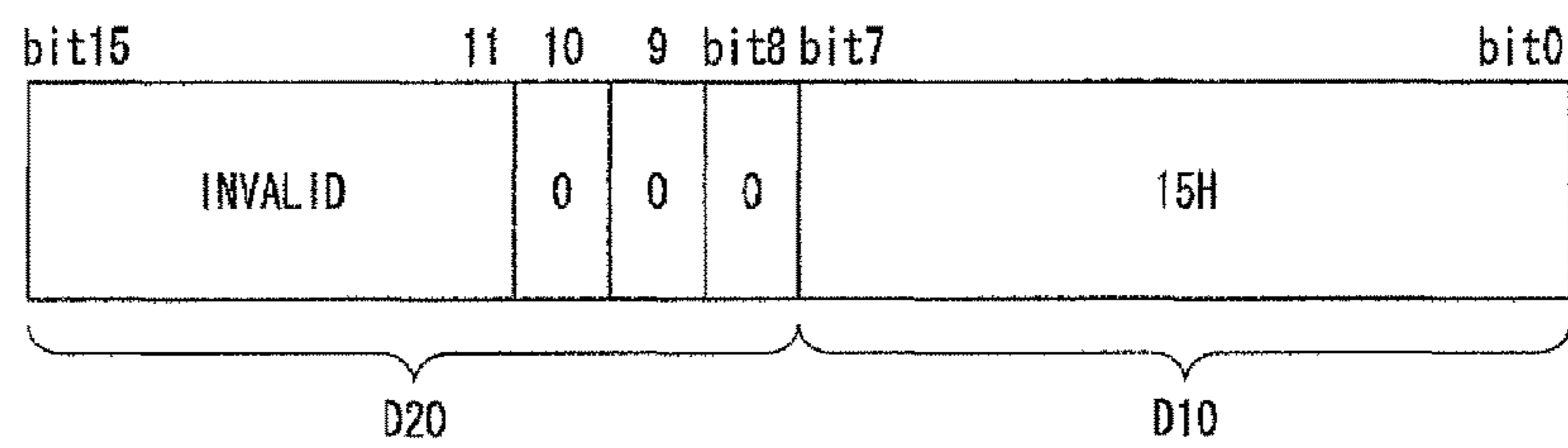


FIG. 14B



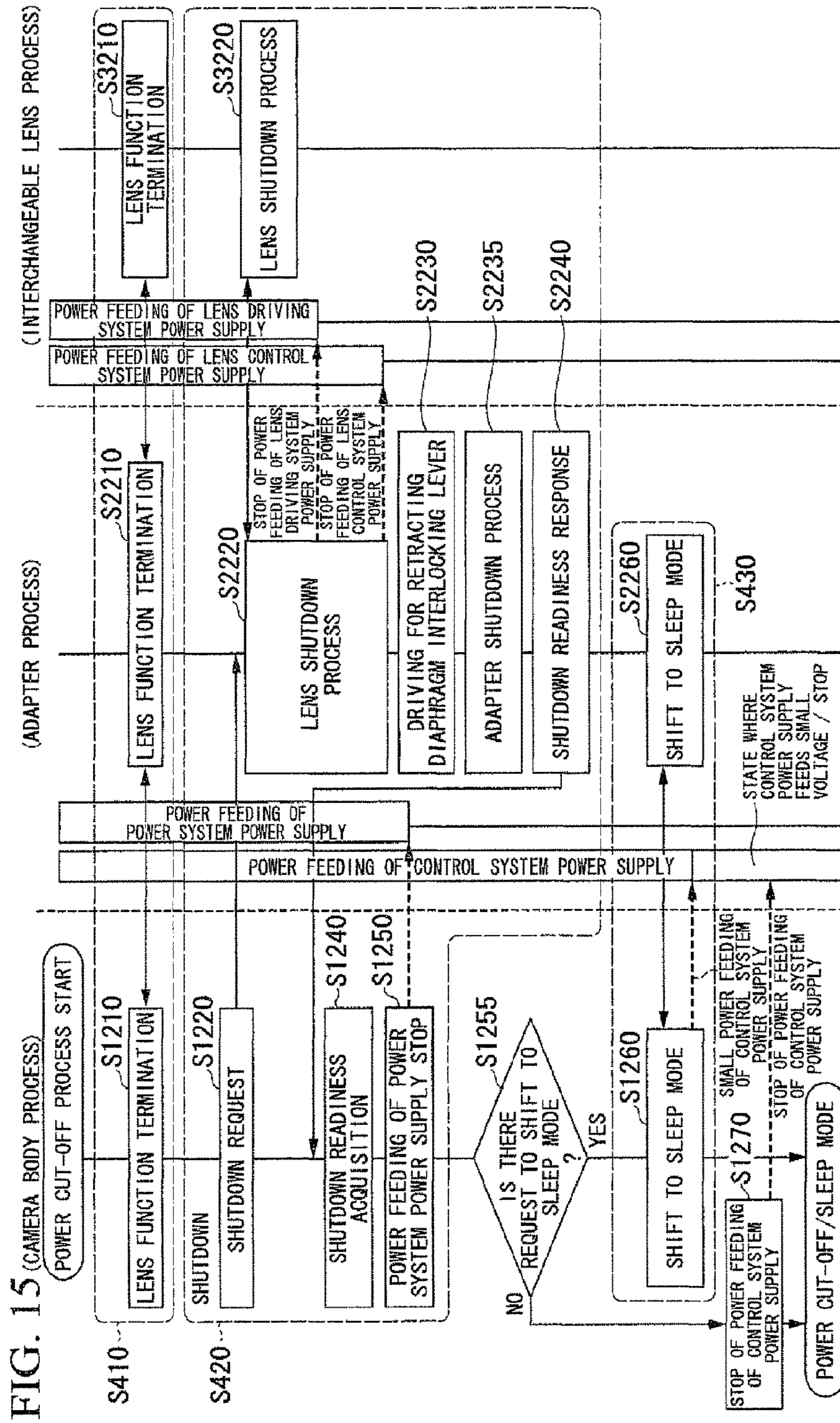
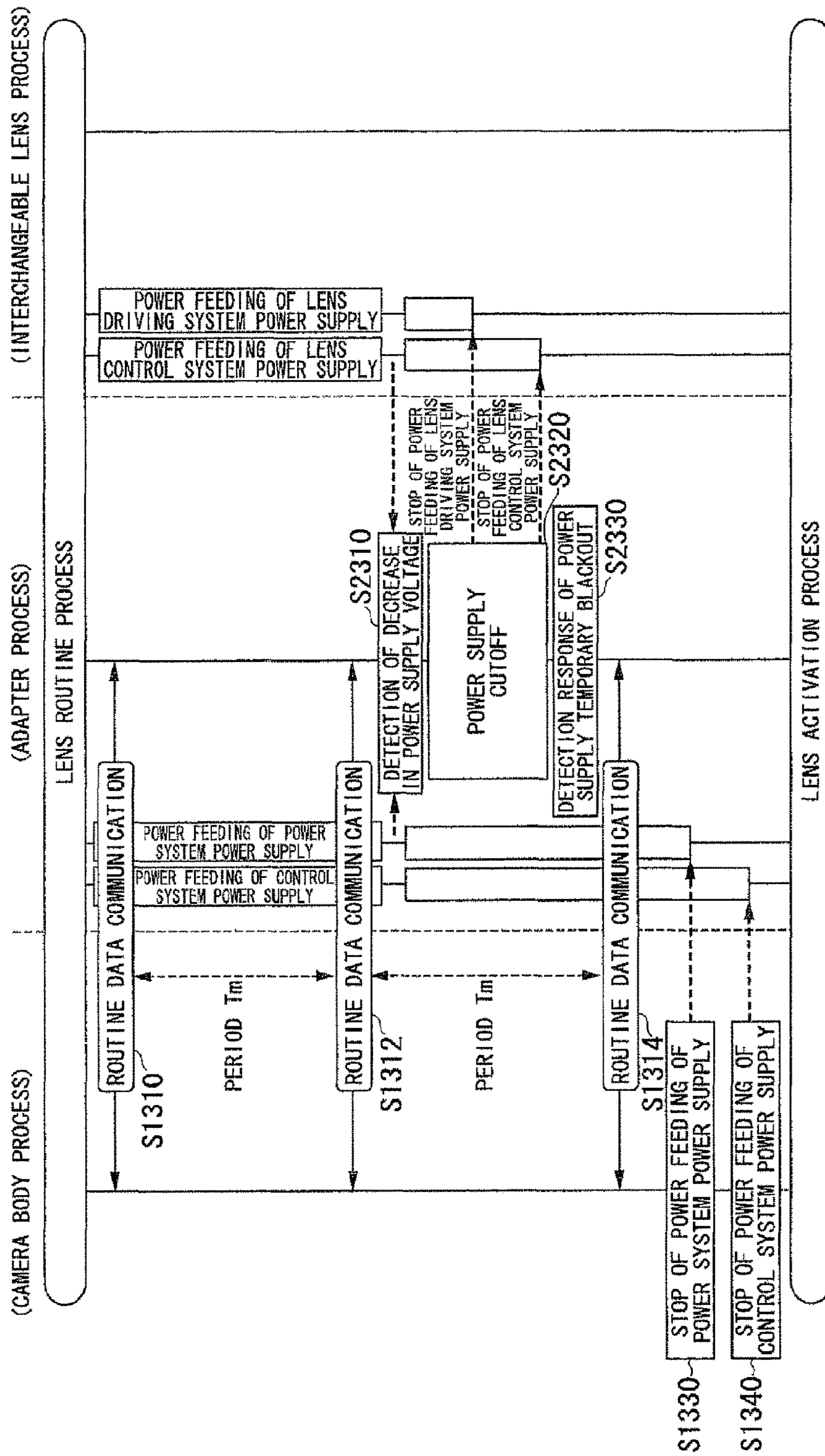


FIG. 16



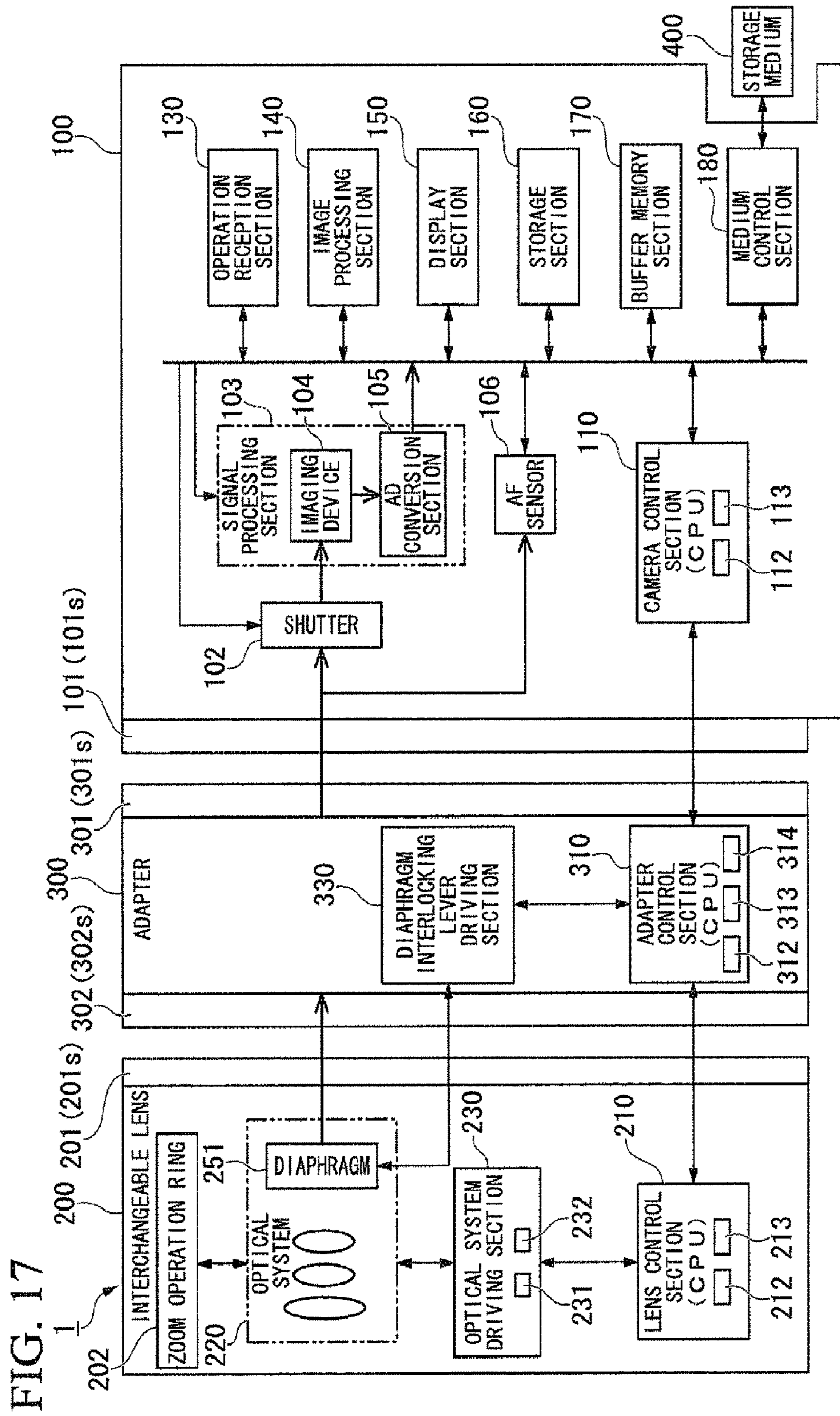


FIG. 18A

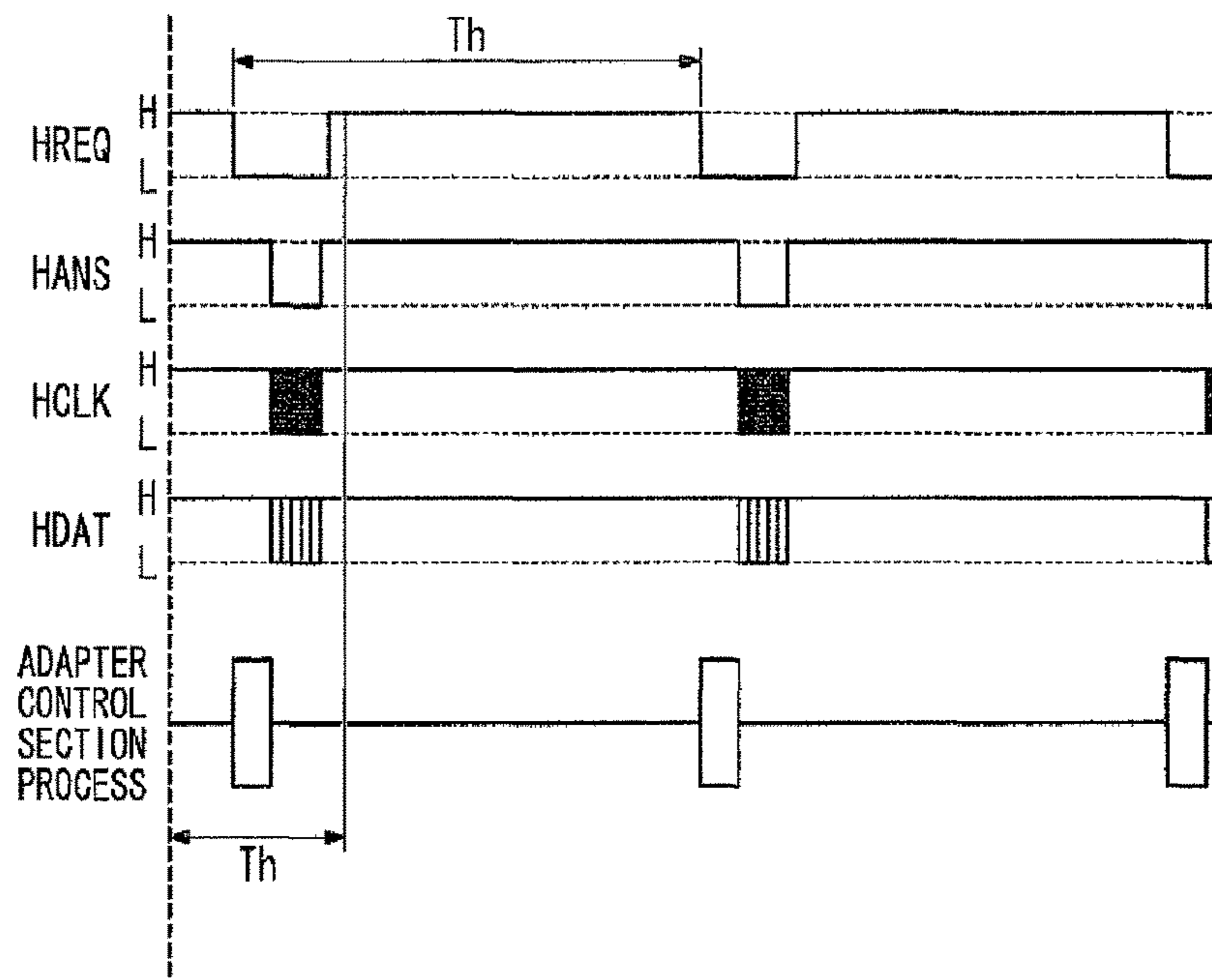


FIG. 18B

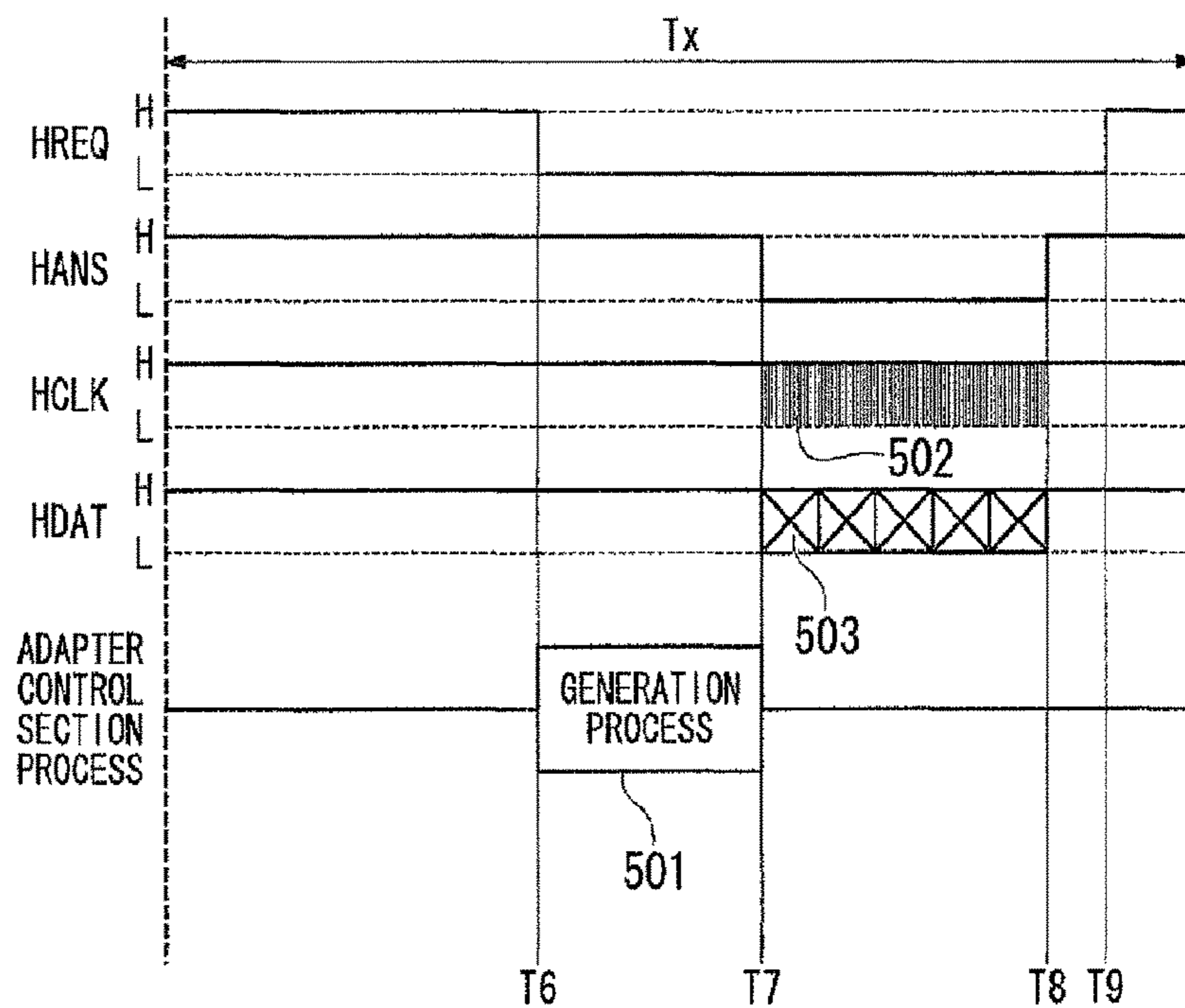


FIG. 19

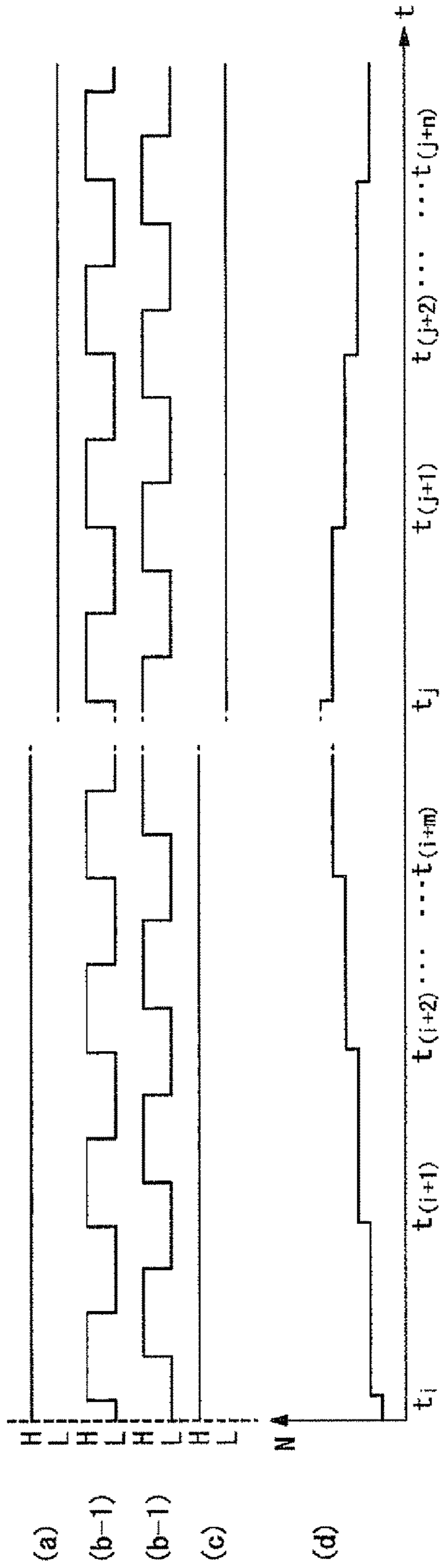
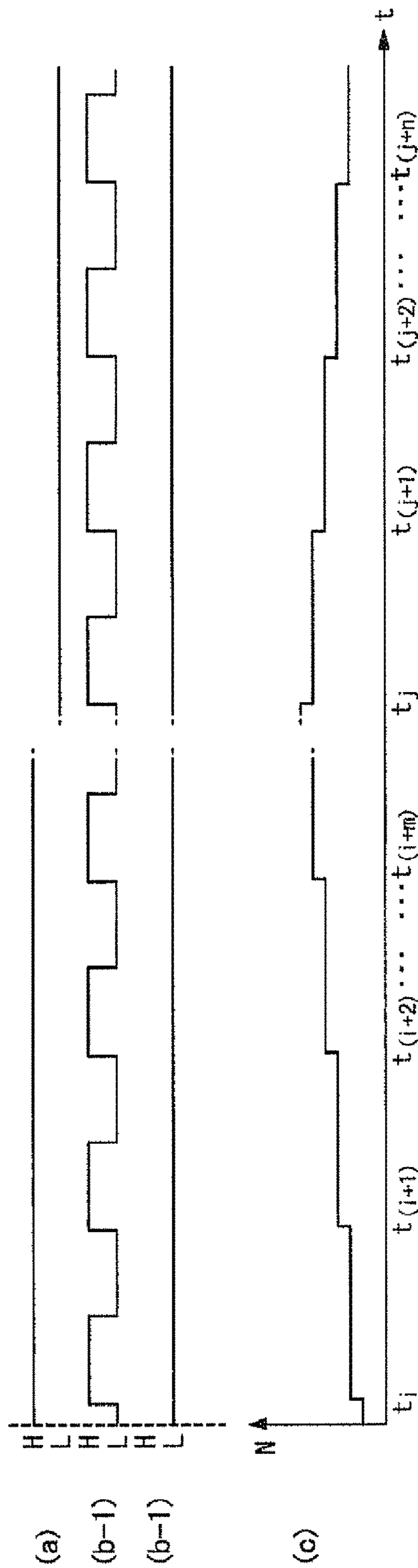
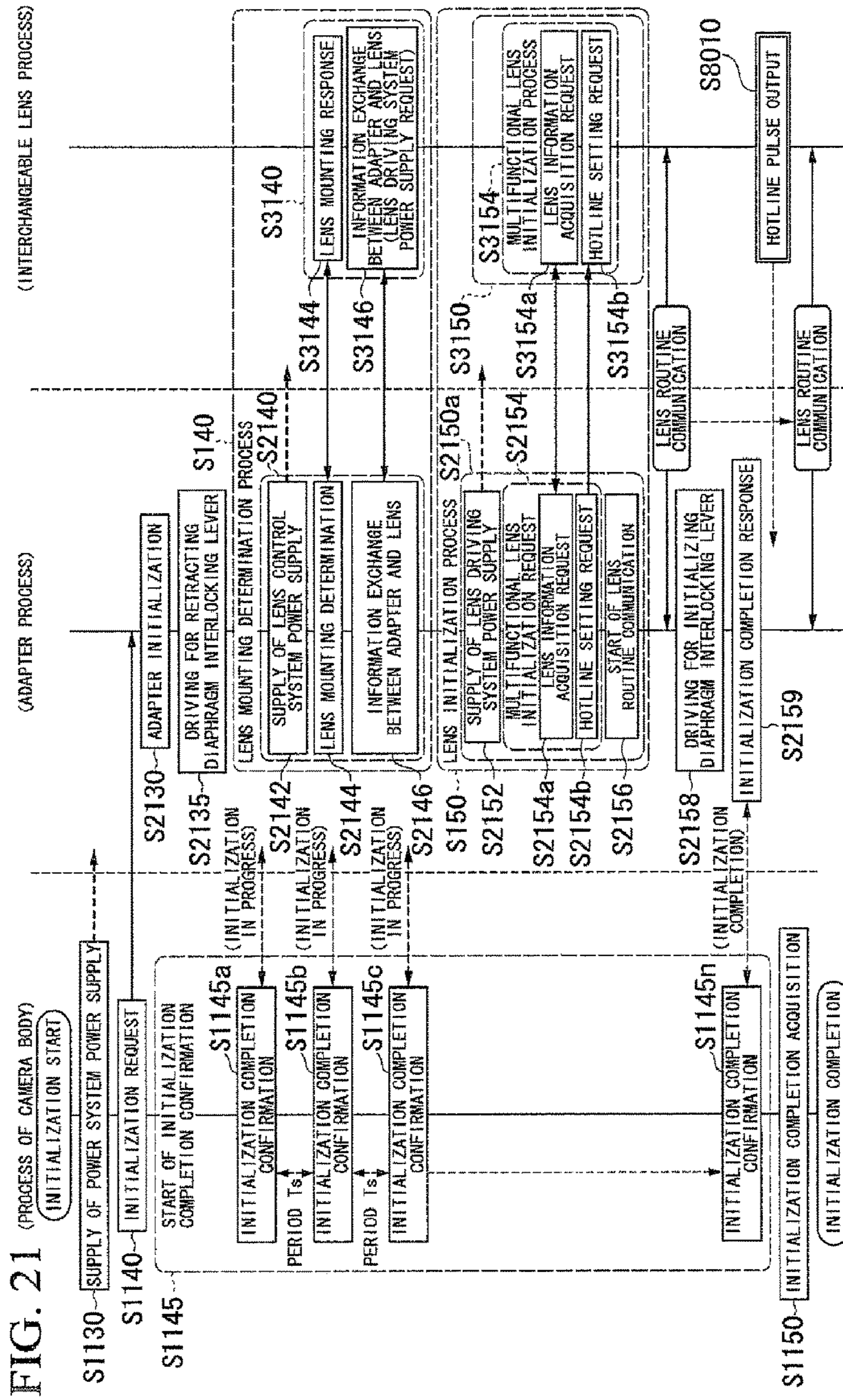


FIG. 20





ADAPTER, CAMERA SYSTEM, AND ADAPTER CONTROL PROGRAM

Matter enclosed in heavy brackets [] appears in the original patent but forms no part of this reissue specification; matter printed in italics indicates the additions made by reissue; a claim printed with strikethrough indicates that the claim was canceled, disclaimed, or held invalid by a prior post-patent action or proceeding.

CROSS-REFERENCE TO RELATED APPLICATION

This application is a [non-provisional application claiming] *Reissue of U.S. Pat. No. 8,757,904, issued Jun. 24, 2014, which issued from U.S. application Ser. No. 13/553,464, which claims priority to the benefit of U.S. provisional application No. 61/606,745, filed on Mar. 5, 2012. [This application] U.S. application Ser. No. 13/553,464* also claims priority to Japanese Patent Application No. 2011-161387, filed on Jul. 22, 2011. The entire contents of each of the applications identified above are incorporated herein by reference.

BACKGROUND

1. Field of the Invention

The present invention relates to an adapter, a camera system, and an adapter control program.

2. Description of Related Art

An interchangeable-lens camera system having a camera body and an interchangeable lens which is detachably attached to the camera body is known (for example, refer to Japanese Unexamined Patent Application Publication No. 2008-275890).

The interchangeable-lens camera system is able to capture an image through various types of optical systems by changing the interchangeable lens mounted on the camera body.

SUMMARY

Recently, in digital camera systems, new interchangeable-lens camera systems, of which the camera body has a smaller size than that of the related art, have been developed.

However, in some cases, interchangeable lenses of existing camera systems may not be mounted on and function in camera bodies of the new interchangeable-lens camera systems.

However, generally the existing interchangeable lenses have come into widespread use. Hence, in the new interchangeable-lens camera systems, in order to be able to capture images through various types of optical systems, it is preferable that the existing interchangeable lens be mounted on and function in these systems.

An object of aspects according to the present invention is to provide an adapter, a camera system, and an adapter control program that enable various types of optical systems to appropriately function in the interchangeable-lens camera system.

According to an aspect of the present invention, an adapter is provided including: a first mount section that is detachably attached to a camera body; a second mount section that is provided separately from the first mount section and is detachably attached to any one of a plurality of types of interchangeable lenses of which methods of

controlling a diaphragm are different from each other; and an accessory control section that controls the diaphragm of the interchangeable lens in response to a common control command which is received from the camera body regardless of the type of the interchangeable lens mounted on the second mount section.

According to an aspect of the present invention, a camera system is provided including: the adapter described above; the camera body mounted on the first mount section; and the interchangeable lens mounted on the second mount section.

According to an aspect of the present invention, an adapter control program is provided for controlling operations of an adapter control section installed in an adapter including a first mount section that is detachably attached to a camera body and a second mount section that is provided separately from the first mount section and is detachably attached to any one of a plurality of types of interchangeable lenses of which methods of controlling a diaphragm are different from each other, the adapter control program including a step of controlling a diaphragm of the interchangeable lens in response to a common control command, which is received from the camera body, regardless of the type of the interchangeable lens mounted on the second mount section.

According to the aspects of the present invention, it is possible to cause various types of optical systems to appropriately function in the interchangeable-lens camera system.

BRIEF DESCRIPTION OF THE DRAWINGS

FIG. 1 is a perspective view illustrating a configuration of a camera system according to an embodiment of the present invention.

FIG. 2 is a perspective view illustrating an example of a configuration of an adapter according to the present embodiment.

FIG. 3 is a schematic block diagram illustrating a first example of a configuration of the camera system according to the present embodiment.

FIG. 4 is a schematic block diagram illustrating an example of a configuration of an adapter power supply section and a power supply system.

FIG. 5 is a schematic block diagram illustrating a second example of the configuration of the camera system according to the present embodiment.

FIG. 6 is a schematic block diagram illustrating a third example of the configuration of the camera system according to the present embodiment.

FIG. 7 is a schematic block diagram illustrating a fourth example of the configuration of the camera system according to the present embodiment.

FIG. 8 is a flowchart illustrating a brief overview of a state shift between processes relating to an interchangeable lens according to the present embodiment.

FIG. 9 is a diagram illustrating an example of a communication sequence of command data communication in a lens routine process.

FIG. 10 is a diagram illustrating an example of communication commands which are divisionally communicated through a plurality of communications in a single period of lens routine communication.

FIG. 11 is a diagram illustrating an example of a communication sequence for detecting a driving status of an optical system driving section.

FIG. 12 is a diagram illustrating an example of a process sequence of a lens activation process.

FIG. 13 is a diagram illustrating an example of a process sequence of an initialization process in the lens activation process.

FIG. 14A is a diagram illustrating an example of a data structure of initialization information obtained through the command data communication.

FIG. 14B is a diagram illustrating an example of a data structure of initialization information obtained through the command data communication.

FIG. 15 is a diagram illustrating an example of a process sequence of a power cut-off process and a sleep process.

FIG. 16 is a diagram illustrating an example of a process sequence at the time of temporary blackout of power supply.

FIG. 17 is an example of a functional block diagram of the camera system according to the present embodiment.

FIG. 18A is a timing chart illustrating examples of hotline communication of a data communication system D2b.

FIG. 18B is a timing chart illustrating examples of hotline communication of a data communication system D2b.

FIG. 19 is a timing chart illustrating signals in a case where an AF encoder provided in the interchangeable lens is a biphasic type.

FIG. 20 is a timing chart illustrating signals in a case where an AF encoder provided in the interchangeable lens is a single-phase type.

FIG. 21 is a diagram illustrating an example of a process sequence of an initialization process in the lens activation process.

FIG. 22 is a diagram illustrating an example of a communication sequence of the hotline communication.

FIG. 23 is a diagram illustrating an example of a communication sequence for detecting a driving status of the optical system driving section.

DESCRIPTION OF EMBODIMENTS

Hereinafter, embodiments according to the present invention will be described with reference to the accompanying drawings.

FIG. 1 is a perspective view illustrating a configuration of a camera system 1 according to an embodiment of the present invention.

The camera system 1 shown in FIG. 1 is an interchangeable-lens camera system, and includes a camera body 100, an interchangeable lens 200, an adapter 300 which is provided between the camera body 100 and the interchangeable lens 200 and is detachably attached to the camera body 100 and the interchangeable lens 200. In this drawing, the adapter 300 is mounted on the camera body 100. Further, the interchangeable lens 200 is mounted on the camera body 100 with the adapter 300 interposed therebetween.

In the camera system 1, the specification of a camera body-side mount 101, which is a lens mount provided in the camera body 100, is different from the specification of a lens-side mount 201 which is a lens mount provided in the interchangeable lens 200. For example, mount shapes and connection terminals for electrical connection of the specification of the camera body-side mount 101 and the specification of the lens-side mount 201 are different from each other. Further, communication standards of communication through the corresponding connection terminal and communication data types thereof are different from each other. Hence, it is difficult to directly mount the interchangeable lens 200 on the camera body 100.

Therefore, the adapter 300 is formed as a mount adapter that enables the interchangeable lens 200 to be indirectly mounted on the camera body 100. Furthermore, the adapter

300 is formed between the camera body 100 and the interchangeable lens 200 having communication standards and communication data types different from each other so as to enable them to communicate with each other without changing their communication standards and the like.

Further, the camera body 100 includes a power button 131, a release button 132, a rear-side operation section 133, and a display section 150. The power button 131 is an operation member used to switch on and off a main power supply in the camera body 100.

The release button 132 is an operation member used to accept instructions to start a photography process. For example, the release button 132 accepts two kinds of instructions to start the photography process based on a state where the button is pressed halfway (a half-pressed state, for example, a state for receiving focus adjustment, exposure adjustment, and the like) and a state where the button is pressed fully (a full-pressed state, for example, a state for receiving the instruction to start exposure).

The rear-side operation section 133 is provided on the rear side opposite to the side, on which the camera body-side mount 101 is provided, among the sides of the casing of the camera body 100. The rear-side operation section 133 is configured to include an operation member such as a selection button of operation modes (for example, a mode dial) or a selection button of various setting conditions (for example, a menu button or an up-down-right-left selection button).

The display section 150 is provided on the rear side similarly to the rear-side operation section 133, and thus displays photographed images or a menu screen for selecting various setting conditions. The display section 150 is configured to include, for example, a liquid crystal display, an organic EL (Electro-Luminescence) display, or the like.

FIG. 2 is a perspective view illustrating an example of a configuration of the adapter 300 according to the present embodiment.

The adapter 300 includes: a first mount section that is detachably attached to the camera body 100; and a second mount section that is provided separately from the first mount section and is detachably attached to the interchangeable lens 200.

For example, as shown in FIG. 2, the adapter 300 includes: a first mount 301 (the first mount section) that is detachably attached to the camera body-side mount 101 provided in the camera body 100; and a second mount 302 (the second mount section) that is detachably attached to the lens-side mount 201 provided in the interchangeable lens 200.

In addition, in the vicinity of the first mount 301, a plurality of electric connection terminals (mount contact points), which respectively correspond to a plurality of electric connection terminals provided in the vicinity of the camera body-side mount 101, is provided. Thereby, when mounted on the camera body 100, the adapter 300 is electrically connected to the camera body 100 through the plurality of connection terminals.

Further, in the vicinity of the second mount 302, a plurality of electric connection terminals, which respectively correspond to a plurality of electric connection terminals provided in the vicinity of the lens-side mount 201, is provided.

Thereby, when mounted on the interchangeable lens 200, the adapter 300 is electrically connected to the interchangeable lens 200 through the plurality of connection terminals.

Further, the adapter **300** includes: a tripod mount **305** to mount the adapter **300** on a tripod; a lens attachment/detachment button **306**; and a diaphragm interlocking lever **350**.

The lens attachment/detachment button **306** is a button to release the lock of the locking mechanism which mechanically locks the adapter **300** into the interchangeable lens **200** when the lens is mounted. That is, the lens attachment/detachment button **306** is an operation member that is operated by a user when the interchangeable lens **200** mounted on the adapter **300** is detached.

A diaphragm interlocking lever **350** (the diaphragm interlocking mechanism portion) is a lever that displaces a diaphragm mechanism **251** (refer to FIG. 3) including a plurality of diaphragm blades which change the diaphragm aperture diameter (the stopping amount of the diaphragm, the aperture size, the aperture ratio, the aperture value) by using the diaphragm of the interchangeable lens **200**, and the lever is provided in the adapter **300**. By moving the position of the diaphragm interlocking lever **350** in a direction along the inner circumference of the adapter **300**, the aperture diameter of the diaphragm of the interchangeable lens **200** is changed.

For example, the interchangeable lens **200** includes a diaphragm lever **252** (refer to FIG. 3) that displaces the diaphragm mechanism **251**. Accordingly, the diaphragm aperture diameter of the interchangeable lens **200** is displaced by moving the position of the diaphragm lever **252**. Then, the diaphragm lever **252** is fitted to the diaphragm interlocking lever **350**, and is configured to move in conjunction with the diaphragm interlocking lever **350**. Hence, the diaphragm aperture diameter of the interchangeable lens **200** is changed by moving the position of the diaphragm interlocking lever **350**.

That is, the diaphragm interlocking lever **350** is moved to a position according to the aperture value of the diaphragm mechanism **251** (diaphragm) provided in the interchangeable lens **200**.

Description of Block Configuration of Camera System

Next, referring to FIG. 3, the block configuration of the camera system **1** will be described.

FIG. 3 is a schematic block diagram illustrating an example of the configuration of the camera system **1** according to the present embodiment. In the drawing, the interchangeable lens **200** is mounted on the camera body **100** with the adapter **300** interposed therebetween. Further, the camera body **100**, the interchangeable lens **200**, and the adapter **300** are electrically connected to each other through the connection terminals which are respectively provided therein.

First, a brief overview of the configuration of the camera system **1** will be described.

The camera body **100** has the camera body-side mount **101** including a connection section **101s**. The adapter **300** has the first mount **301** including a connection section **301s** and the second mount **302** including a connection section **302s**. The interchangeable lens **200** has the lens-side mount **201** including a connection section **201s**.

The adapter **300** is mounted on (physically connected to) the camera body **100** through the camera body-side mount **101** and the first mount **301**, and both are electrically connected to each other through the connection section **101s** and the connection section **301s**. The connection section **101s** and the connection section **301s** are respectively provided with twelve connection terminals (terminals Ta1 to Ta12 and terminals Tb1 to Tb12) which are electrically connected to each other, thereby feeding a voltage (supply-

ing a voltage) and exchanging (communicating) signals between the camera body **100** and the adapter **300** through the connection terminals.

In addition, the exchange (communication) of signals is performed between a camera control section **110**, which is provided in the camera body **100**, and an adapter control section **310**, *e.g.*, *controller*, which is provided in the adapter **300**.

The adapter **300** is mounted on (physically connected to) the interchangeable lens **200** through the lens-side mount **201** and the second mount **302**, and both are electrically connected to each other through the connection section **201s** and the connection section **302s**. The connection section **201s** and the connection section **302s** are respectively provided with nine connection terminals (terminals Tc1 to Tc9 and terminals Td1 to Td9) which are electrically connected to each other, thereby feeding a voltage (supplying a voltage) and exchanging (communicating) signals between the interchangeable lens **200** and the adapter **300** through the connection terminals.

In addition, the exchange (communication) of signals is performed between a lens control section **210**, which is provided in the interchangeable lens **200**, and the adapter control section **310** which is provided in the adapter **300**.

Configuration of Camera Body

Next, a configuration of the camera body **100** will be described.

The camera body **100** includes the camera control section **110**, a camera power supply section **120**, a switch **125**, a battery section **190**, and the connection section **101s** (terminals Ta1 to Ta12).

The connection section **101s** has twelve connection terminals of the terminals Ta1 to Ta12 as connection terminals which are connected to the twelve connection terminals (terminals Tb1 to Tb12) of the connection section **301s** provided in the adapter **300**.

In addition, a configuration of the adapter **300** will be described in detail later.

A battery section **190B** houses a battery **190**.

The battery **190** supplies a voltage to the camera body **100**, the interchangeable lens **200**, and the adapter **300**. For example, the battery **190** is a lithium-ion secondary battery, a nickel hydride secondary battery, or the like. The battery **190** may be a primary battery such as an alkaline battery. Further, the camera body **100** is not limited to the configuration in which a voltage is supplied from the battery **190**, and the voltage may be supplied from an external direct-current power supply (such as an AC adapter that supplies a voltage by transforming an alternating-current power supply into a direct-current power supply).

The camera power supply section **120** converts the voltage, which is supplied from the battery **190**, so as to be able to supply the battery voltage to the camera body **100** or the camera accessory which is connected to the camera body **100**. For example, by converting the battery voltage, the camera power supply section **120** is divided into: a power supply Vcc0 that supplies a voltage to control system circuits (mainly the camera control section **110**) provided in the camera body **100**; and a power supply Vcc1 that is a first power supply system which supplies a voltage to the adapter **300** connected to the connection section **101s**. The voltage of the power supply Vcc1 is supplied to the control system circuits (mainly adapter control section **310**) provided in the adapter **300**. Hereinafter, the power supply Vcc1 is referred to as a control system power supply Vcc1.

Further, the camera power supply section **120** switches a supply state and a supply stop state of the voltage supplied

by the control system power supply Vcc1 through the control of the camera control section 110. Furthermore, the camera power supply section 120 controls the supply of electric power (an amount of electricity, an amount of power feeding) through the control of the camera control section 110. For example, the camera power supply section 120 switches a state (normal power feeding state), in which the electric power (the amount of electricity, the amount of power feeding) which can be supplied is large to the extent that it is possible to execute the photography process in the camera system 1, and a state (state for feeding a small voltage) in which the electric power (the amount of electricity, the amount of power feeding) which can be supplied is small to the extent that it is difficult to execute the photography process in the camera system 1.

In addition, the voltage of the control system power supply Vcc1 is supplied to the adapter control section 310 through the terminal Ta3 and the terminal Tb3.

Further, the terminal Ta2 and the positive terminal of the battery 190 are connected to the battery section 190E through the switch 125. Thereby, separately from the power supply Vcc1 as the above-mentioned first power supply system, a power supply PWR as a second power supply system is generated from the battery 190, and the voltage is supplied from the power supply PWR to the adapter power supply section 320. The voltage of the power supply PWR is supplied to the adapter power supply section 320 through the terminal Ta2 and the terminal Tb2. Instead of the battery 190, the external direct-current power supply may supply the voltage of the power supply PWR. Further, the power supply PWR is a power supply system which is able to supply a larger electric power than the control system power supply Vcc1. Hereinafter, the power supply PWR is referred to as a power-system power supply PWR.

Further, a power system ground PGND, which is a ground (GND) corresponding to the power-system power supply PWR, is connected to the terminal Ta1 and the respective sections to which the voltage of the power-system power supply PWR is supplied. On the other hand, a control system ground SGND, which is a ground corresponding to the control system power supply Vcc1, is connected to the terminal Ta12. Further, the power system ground PGND and the control system ground SGND are respectively grounded at an electric potential equal to the negative terminal of the battery 190 through the battery section 190B.

In addition, the control system ground SGND is also a ground corresponding to the power supply Vcc0, and the control system ground SGND is connected to the ground terminal of the camera control section 110.

The switch 125 switches the conducting state and the cut-off state (non-conducting state) through the control of the camera control section 110. That is, the switch 125 switches whether or not to supply the voltage of the power-system power supply PWR to the terminal Ta2 through the control of the camera control section 110.

The camera control section 110 includes a camera power control portion 111, a first camera communication portion 112, and a second camera communication portion 113. The camera control section 110 controls the respective sections which are provided in the camera body 100, and performs two communication systems, namely, a first data communication system D1b and a second data communication system D2b, with the adapter control section 310 of the adapter 300 connected through the connection section 101s.

The camera power control portion 111 controls the camera power supply section 120 and the switch 125, on the basis of the state of the camera body 100 or the communication

state of the first camera communication portion 112 or the second camera communication portion 113.

In addition, the first camera communication portion 112 and the second camera communication portion 113 independently perform two communication systems, namely, the first data communication system D1b and the second data communication system D2b, respectively.

The first data communication system D1b is a communication system using full-duplex communication of the serial interface system. The first camera communication portion 112 exchanges (communicates) four types of signals, namely, RDY, CLK1, DATAB, and DATAL through the first data communication system D1b.

The signal RDY is a signal for notifying whether or not to perform communication to the first camera communication portion 112. The signal RDY is transmitted (output) from a first adapter communication portion 312 to be described later to the first camera communication portion 112 through the terminal Ta4. The signal CLK1 is a clock signal for serial communication. The clock signal CLK1 is transmitted (output) from the first camera communication portion 112 to the first adapter communication portion 312 through the terminal Ta5. The signal DATAB is output from the first camera communication portion 112 to the first adapter communication portion 312 through the terminal Ta6, and is a signal of data on the camera body 100. The signal DATAL is output from the first adapter communication portion 312 to the first camera communication portion 112, and is a signal of data on the interchangeable lens 200. The first camera communication portion 112 receives the signal DATAL through the terminal Ta7.

The second data communication system D2b is a serial interface system, and is a communication system using simplex communication by which the data is transmitted to the camera body 100. The second camera communication portion 113 exchanges (communicates) four types of signals, namely, HREQ, HANS, HCLK, and HDATA. The signal HREQ is a signal indicating a communication request from the second camera communication portion 113, and the second camera communication portion 113 transmits (outputs) the signal to the second adapter communication portion 313 to be described later through the terminal Tb8. The signal HANS is a signal indicating a communication response to the second camera communication portion 113, and is transmitted from the second adapter communication portion 313 to the second camera communication portion 113 through the terminal Tb9. The signal HCLK is a clock signal for serial communication. The clock signal HCLK is transmitted (output) from the second camera communication portion 113 to the second adapter communication portion 313 through the terminal Tb10. The signal HDATA is a lens data signal which is transmitted from the second adapter communication portion 313 to the second camera communication portion 113 through the terminal Tb11.

In addition, communication contents of the first data communication system D1b and the second data communication system D2b will be described in detail later.

Configuration of Interchangeable Lens

Next, a configuration of the interchangeable lens 200 will be described.

The interchangeable lens 200 includes the connection section 201s (terminals Td1 to Td9), the lens control section 210, an optical system 220, and an optical system driving section 230.

The subject light (optical image), which is incident through the optical system 220, is guided onto a light receiving surface of a well-known photography element (not

shown in the drawing), which is provided in the camera body **100**, through the adapter **300**.

The optical system **220** includes a lens **221**, a lens for focus adjustment (hereinafter referred to as a focus lens) **222**, a lens for image blur correction of optical images (for vibration-proof) (hereinafter referred to as a VR (Vibration Reduction) lens) **223**, and a diaphragm section **250**.

The diaphragm section **250** includes the diaphragm mechanism **251** that includes the plurality of diaphragm blades, and the diaphragm lever **252** that mechanically operates the diaphragm mechanism **251**. Accordingly, the diaphragm aperture diameter of the interchangeable lens **200** is changed in a way that the diaphragm lever **252** mechanically operates the diaphragm mechanism **251**. Further, the interchangeable lens **200** in the camera system **1** shown in FIG. **3** is a lens in which a power supply such as an actuator which drives the diaphragm mechanism **251** is not built in, and is also a lens in which the diaphragm mechanism **251** is driven through the diaphragm lever **252** by the diaphragm interlocking lever **350** of the adapter **300**.

The optical system driving section **230** include an AF (Auto Focus) driving portion **231**, an AF encoder **232**, and a VR driving portion **235**.

The AF driving portion **231** drives the focus lens **222** through the control of the lens control section **210**. Further, the AF encoder **232** detects the position of the focus lens **222**, and supplies the detection result to the lens control section **210**.

The VR driving portion **235** drives the VR lens **223** through the control of the lens control section **210**.

The interchangeable lens **200** may include a focus ring that is manually operated by a user so as to thereby move the position of the focus lens **222**.

The connection section **201s** includes nine connection terminals Td**1** to Td**9** which are connected to nine connection terminals (terminals Tc**1** to Tc**9**) of the connection section **302s** provided in the adapter **300**.

The power supply Vp, which supplies the voltage of the optical system driving section **230**, is supplied through the terminal Td**2**.

Hereinafter, the power supply Vp is referred to as a lens driving system power supply Vp. The lens driving system power supply Vp is supplied from the power-system power supply PWR through the adapter **300**.

For example, the voltage of the lens driving system power supply Vp is supplied from the terminal Td**2** to the optical system driving section **230**, of which power consumption is large, like an actuator driving the focus lens **222** provided in the AF driving portion **231**, an actuator driving the VR lens **223**, or the like. Further, the power system ground PGND which is a ground corresponding to the lens driving system power supply Vp is connected to the terminal Td**1** and the ground terminal of the optical system driving section **230**.

The power supply Vc, which supplies the voltage of the lens control section **210**, is connected to the terminal Td**3**. Hereinafter, the power supply Vc is referred to as a lens control system power supply Vc. The lens control system power supply Vc is supplied from the power-system power supply PWR through the adapter **300**.

The voltage of the lens control system power supply Vc is supplied through the terminal Td**3** to the control system circuits and the like including the lens control section **210** of which the power consumption is smaller than that of the optical system driving section **230**. Further, the control system ground SGND, which is a ground corresponding to

the lens control system power supply Vc, is connected to the terminal Td**9** and the ground terminal of the lens control section **210**.

That is, the power system ground PGND and the control system ground SGND are not connected to each other in the interchangeable lens **200**, and are divided into grounds of two systems.

The lens control section **210** includes an optical system control portion **211**, a first lens communication portion **212**, and a second lens communication portion **213**. The lens control section **210** controls the optical system driving section **230**, and controls two communication systems, namely, the first data communication system D1L and the second data communication system D2L, with the adapter control section **310** of the adapter **300** connected through the connection section **201s**.

The optical system control portion **211** controls the optical system driving section **230**. For example, the optical system control portion **211** initializes the optical system driving section **230** in accordance with the state of communication with the adapter **300**. Further, the optical system control portion **211** controls the optical system driving section **230** so as to drive a driving element such as the focus lens **222** or the VR lens **223** in accordance with the control of the camera control section **110** which is performed through the adapter **300**. Further, the optical system control portion **211** acquires information (for example, information on the position of the focus lens **222** detected by the AF encoder **232** and the like) on the optical system (driving element) **220** supplied from the optical system driving section **230**.

The first lens communication portion **212** and the second lens communication portion **213** respectively perform two communication systems, namely, the first data communication system D1L and the second data communication system D2L at independent timings.

The first data communication system D1L is a communication system using half-duplex communication of the serial interface system. The first lens communication portion **212** communicates three types of signals, namely, R/W, CLK**2**, and DATA through the first data communication system D1L.

The signal R/W is a read/write signal indicating the communication direction of the data signal to be described later, is also a signal used for performing a handshake between a lens-side and an adapter, and is transmitted and received between the first lens communication portion **212** and the first adapter communication portion **312** to be described later through the terminal Td**4**. The signal CLK**2** is a clock signal for serial communication, and is transmitted (output) from the first adapter communication portion **312** to the first lens communication portion **212** through the terminal Td**5**. The signal DATA is a data signal which is transmitted and received between the first adapter communication portion **312** and the first lens communication portion **212** through the terminal Td**6**.

The second data communication system D2L is a pulse communication system, and a communication system using simplex communication by which the pulse signal is output from the interchangeable lens **200**. The second lens communication portion **213** transmits two types of pulse signals, namely, HLP**1**, HLP**2** through the second data communication system D2L.

The signal HLP**1** is a pulse signal which is transmitted to the second adapter communication portion **313** to be described later through the terminal Td**7**. The signal HLP**2** is a pulse signal which is output from the second lens communication portion **213** to the second adapter commu-

11

nication portion 313 through the terminal Td8. Such pulse signals HLP1 and HLP2 are pulse signals responsive to the signal output from the AF encoder 232.

The communication contents communicated in the first data communication system D1L and the second data communication system D2L will be described later.

Configuration of Adapter

Next, a configuration of the adapter 300 will be described.

The adapter 300 includes the adapter control section 310, the adapter power supply section 320, the diaphragm interlocking lever driving section 330 (diaphragm interlocking mechanism driving portion), the connection section 301s (terminals Tb1 to Tb12), the connection section 302s (terminals Tc1 to Tc9), and the diaphragm interlocking lever 350.

The connection section 301s includes twelve connection terminals Tb1 to Tb12 connected to the above-described twelve connection terminals Ta1 to Ta12 on the camera body 100 side. The adapter 300 and the camera body 100 are connected through the connection section 301s and connection section 101s. Thereby, the respective terminals of the terminals Tb1 to Tb12 of the connection section 301s are electrically connected to the connection terminals respectively corresponding to the terminals Ta1 to Ta12 of the connection section 101s.

Further, the connection section 302s includes nine connection terminals Tc1 to Tc9 connected to the above-described nine connection terminals (terminals Td1 to Td9) on the interchangeable lens 200 side. The adapter 300 and the interchangeable lens 200 are connected through the connection section 302s and the connection section 201s. The respective terminals of the terminals Tc1 to Tc9 of the connection section 302s are connected to the connection terminals respectively corresponding to the terminals Td1 to Td9 of the connection section 201s.

The terminal Tb2 is connected to the terminal Ta2, and the terminal Tb3 is connected to the terminal Ta3. Thereby, the voltage of the power-system power supply PWR is supplied from the camera body 100 to the terminal Tb2 through the terminal Ta2, and the voltage of the control system power supply Vcc1 is supplied to the terminal Tb3 through the terminal Ta3. Thereby, the adapter power supply section 320 is supplied with the voltage of the power-system power supply PWR from the camera body 100 through the terminal Ta2 and the terminal Tb2.

On the other hand, the adapter control section 310 is supplied with the voltage of the control system power supply Vcc1 from the camera body 100 through the terminal Ta3 and the terminal Tb3.

As described above, the adapter 300 is supplied with both of the voltage of the control system power supply Vcc1 (the voltage of the first power supply system) from the camera body 100 and the voltage of the power-system power supply PWR (the voltage of the second power supply system) which is able to supply a larger electric power than the control system power supply Vcc1. The voltage of the power-system power supply PWR, which is supplied to the adapter power supply section 320, can be divided (converted) into the lens driving system power supply Vp (third power supply system) and the lens control system power supply Vc (fourth power supply system) as the lens system power supply systems which supply the voltage to the interchangeable lens 200. For example, the adapter power supply section 320 generates the supply voltages of the lens driving system power supply Vp and the lens control system power supply Vc, which feed voltages to the interchangeable

12

lens 200, from the power-system power supply PWR which is supplied from the camera body 100.

The voltage, which is supplied from the lens driving system power supply Vp, is larger than the voltage which is supplied from the lens control system power supply Vc. Further, the power consumption in the load supplied from the lens driving system power supply Vp may be larger than the power consumption in the load supplied from the lens control system power supply Vc.

Furthermore, from the power-system power supply PWR supplied to the adapter power supply section 320, separately from the above-mentioned lens driving system power supply Vp and the lens control system power supply Vc, the power supply Vm (fifth power supply system), which supplies a voltage to the diaphragm interlocking lever driving section 330, is also generated (can be divided). Hereinafter, the power supply Vm is referred to as a diaphragm driving power supply Vm.

For example, the adapter power supply section 320 includes a voltage conversion section that converts the voltage of the power-system power supply PWR into a predetermined voltage of the diaphragm driving power supply Vm. The voltage conversion section includes, for example, a DC-DC converter. Further, the voltage conversion section converts the voltage into a voltage which is stepped up to, for example, a predetermined voltage (the predetermined voltage of the diaphragm driving power supply Vm). Then, the adapter power supply section 320 supplies the generated voltage of the diaphragm driving power supply Vm to the diaphragm interlocking lever driving section 330.

The adapter power supply section 320 may include a first regulator portion that converts (generates) the voltage of the lens control system power supply Vc on the basis of the voltage of the diaphragm driving power supply Vm.

For example, the first regulator portion converts the voltage of the diaphragm driving power supply Vm into a voltage which is stepped down to a predetermined voltage (a predetermined voltage of the lens control system power supply Vc). Further, for example, the first regulator portion may include a first linear regulator. The voltage of the diaphragm driving power supply Vm is set to be higher than the voltage of the lens control system power supply Vc.

Further, the adapter power supply section 320 may include a second regulator portion that converts (generates) the voltage of the lens driving system power supply Vp on the basis of the voltage of the power-system power supply PWR. For example, the second regulator portion converts the voltage of the power-system power supply PWR into a voltage which is stepped down to a predetermined voltage (a predetermined voltage of the lens driving system power supply Vp). Further, for example, the second regulator portion may include a second linear regulator. In this case, the second regulator portion is configured to supply a larger electric power (the amount of power feeding is larger) than that of the first regulator portion. Further, the adapter power supply section 320 has a voltage detection portion that detects the power supply voltage, and supplies the detection result to the adapter control section 310.

An internal configuration of the adapter power supply section 320 will be described later with reference to FIG. 4.

The respective connections of the power supply systems converted by the adapter power supply section 320 are as follows.

The terminal Tc2 is connected to the output terminal of the lens driving system power supply Vp (the terminal that outputs the voltage of the lens driving system power supply

Vp) of the adapter power supply section 320. Further, the terminal Tc3 is connected to the output terminal of the lens control system power supply Vc (the terminal that outputs the voltage of the lens control system power supply Vc) of the adapter power supply section 320. Thereby, the adapter power supply section 320 supplies the voltage of the lens driving system power supply Vp to the terminal Tc2, and supplies the voltage of the lens control system power supply Vc to the terminal Tc3.

Further, the adapter power supply section 320 supplies the voltage of the lens driving system power supply Vp to the optical system driving section 230 of the interchangeable lens 200 through the terminal Tc2 and the terminal Td2.

Further, the adapter power supply section 320 supplies the voltage of the lens control system power supply Vc to the lens control section 210 of the interchangeable lens 200 through the terminal Tc3 and the terminal Td3.

As described above, the adapter power supply section 320 is able to generate a voltage, which is supplied to the lens control section 210 and the optical system driving section 230 of the interchangeable lens 200, from the voltage of the power-system power supply PWR.

Thereby, the adapter 300 does not set the voltage of the control system power supply Vcc1, which is supplied from the camera body 100, as the voltage, which is supplied to the interchangeable lens 200, but is able to set it as the voltage which is supplied to the adapter control section 310. The camera power supply section 120 in the camera body 100 is configured to constantly supply the control system power supply Vcc1 to the connection point at which connection is made through the terminal Ta3 (as long as there is a "supply request" from the connection point). Hence, the adapter control section 310, which is connected to the terminal Ta3 through the terminal Tb3, can be constantly activated for example even if the power supply switch on the camera body 100 side is turned off. By constantly activating the adapter control section 310, it is possible to store the setting state (for example, whether or not the initialization process of the diaphragm interlocking lever 350 is complete) on the adapter 300 side. Therefore, there is an advantage in that, when the power supply switch on the camera body 100 side is turned on, the unnecessary initialization process is not performed and is terminated in the adapter 300. Further, although not described in the present embodiment, when the camera body activation switch (a switch which switches ON/OFF of the power supply on the adapter 300 side) which can be operated by a user is provided on the adapter 300 side, it is possible to constantly monitor the ON operation of the activation switch. Therefore, it is possible to configure a system which activates the camera body 100 through the operation on the adapter 300 side. (It may also be possible to adopt a system configuration which transfers the control system power supply Vcc1 to the lens control section 210 so as to constantly activate the lens control section 210. In this case, even when the operation switch to activate the camera body 100 is provided on the interchangeable lens 200 side, the adapter 300, which is not in the activation state (since the power is not supplied thereto), is interposed between both of the interchangeable lens 200 and the camera body 100, and thus it is difficult to transfer the operation of the operation switch on the interchangeable lens 200 side to the camera body 100 side. As a result, it is difficult to activate the camera body 100.)

Furthermore, the adapter power supply section 320 supplies the voltage of the diaphragm driving power supply Vm in the adapter 300 to the diaphragm interlocking lever driving section 330. In other words, the adapter 300 gener-

ates a voltage, which is supplied to the diaphragm interlocking lever driving section 330, from the voltage of the power-system power supply PWR which is supplied from the camera body 100. Since the power-system power supply PWR has a sufficiently large power feeding ability as compared with the control system power supply Vcc1, the power-system power supply PWR can be used in power feeding to various circuits. In addition, similarly to the present embodiment, even when a voltage for power feeding to the diaphragm interlocking lever driving section 330 is generated from the power-system power supply PWR (even when the power-system power supply PWR is used in combination), there is no adverse effect on operations of other circuits of the sections used in combination (for example, the operation of the above-mentioned lens control section 210).

Further, the terminal Tb1 is connected to the terminal Ta1 of the camera body 100. Thereby, the power system ground PGND is connected to the terminal Tb1 through the terminal Ta1. Further, the terminal Tb1 and the terminal Tc1 are connected through the power system ground PGND in the adapter 300. Furthermore, the terminal Tc1 is connected to the terminal Td1 of the interchangeable lens 200. Thereby, the power system ground PGND is a ground corresponding to the lens driving system power supply Vp, and is connected to the terminal Td1 through the terminal Tc1. In addition, the power system ground PGND is a ground corresponding to the ground of the adapter power supply section 320, the diaphragm interlocking lever driving section 330, and the like.

Further, the terminal Tb12 is connected to the terminal Ta12 of the camera body 100. Thereby, the control system ground SGND is connected to the terminal Tb12 through the terminal Ta12. Further, the terminal Tb12 and the terminal Tc9 are connected through the control system ground SGND in the adapter 300. Furthermore, the terminal Tc9 is connected to the terminal Td9 of the interchangeable lens 200. Thereby, the control system ground SGND is a ground corresponding to the lens control system power supply Vc, and is connected to the terminal Td9 through the terminal Tc9. In addition, the control system ground SGND is a ground corresponding to the ground of the adapter control section 310.

As described above, the power system ground PGND and the control system ground SGND are not connected to each other in the adapter 300, but are divided into the grounds of two systems.

That is, in the interchangeable lens 200 and adapter 300, the power system ground PGND and the control system ground SGND are not connected to each other, but are divided into the grounds of two systems. However, the power system ground PGND and the control system ground SGND, which are divided into two systems, are connected in the camera body 100, and are thus set to a ground at the same electric potential as that of the negative terminal of the battery 190. Accordingly, the ground of the camera control section 110, the lens control section 210, and the adapter control section 310 is connected to the control system ground SGND, and is set to an equivalent electric potential.

Accordingly, it is possible to reduce the effect of noise, which occurs in the power system ground PGND, on the control system ground SGND.

In the interchangeable lens 200, the control system ground SGND may be connected to the conductive portion (interchangeable lens casing) of the lens-side mount 201. Further, the terminal Td9, which is connected to the control system ground SGND in the interchangeable lens 200, may

be configured to be included in the conductive portion of the lens-side mount **201**. Likewise, in the adapter **300**, the control system ground SGND may be connected to the conductive portion of the second mount **302**. Further, the terminal Tc**9**, which is connected to the control system ground SGND in the adapter **300**, may be configured to be included in the conductive portion of the second mount **302**.

Furthermore, likewise, the terminal Tb**12** may be connected to the conductive portion of the first mount **301**, and the terminal Tb**12** may be configured to be included in the conductive portion of the first mount **301**. Likewise, the terminal Ta**12** may be connected to the conductive portion of the camera body-side mount **101**, and the terminal Ta**12** may be configured to be included in the conductive portion of the camera body-side mount **101**.

The diaphragm interlocking lever driving section **330** moves the position of the diaphragm interlocking lever **350** through the control of the adapter control section **310**. By moving the diaphragm interlocking lever **350**, the diaphragm interlocking lever driving section **330** displaces the diaphragm mechanism **251** of the interchangeable lens **200** through the diaphragm lever **252**. Further, the diaphragm interlocking lever driving section **330** detects the position of the diaphragm interlocking lever **350**, and outputs the corresponding detection result to the adapter control section **310**.

For example, the diaphragm interlocking lever driving section **330** includes: a diaphragm driving actuator (for example, a stepping motor) that drives the diaphragm interlocking lever **350**; a motor driving portion that controls driving of the diaphragm driving actuator; a diaphragm interlocking lever position detection portion that detects the position of the diaphragm interlocking lever **350**; and the like. Thereby, in the diaphragm interlocking lever driving section **330**, the motor driving portion drives the diaphragm driving actuator, whereby the diaphragm driving actuator drives the diaphragm interlocking lever **350**. Further, in the diaphragm interlocking lever driving section **330**, the diaphragm interlocking lever position detection portion (for example, a photo-interrupter) detects the position of the diaphragm interlocking lever **350**, and supplies the detection result to the adapter control section **310**.

The adapter control section **310** includes an adapter power control portion **311**, the first adapter communication portion **312**, a second adapter communication portion **313**, and a diaphragm control portion **314**. Further, the adapter control section **310** is controlled by periodic communication with the camera control section **110**, controls the processes performed in the respective sections provided in the adapter **300**, and periodically communicates with the lens control section **210**. For example, the adapter control section **310** performs periodic routine communication with the camera control section **110**. Further, the adapter control section **310** also performs periodic routine communication with the lens control section **210**.

Furthermore, the adapter control section **310** controls the diaphragm interlocking lever driving section **330** on the basis of the communication for controlling the photography process from the camera control section **110**, and communicates with the lens control section **210** in order to control the optical system driving section **230** of the interchangeable lens **200**.

The adapter power control portion **311** controls the adapter power supply section **320** in accordance with the result of the communication with the camera control section **110** or the lens control section **210** or the state of the adapter **300**. For example, the adapter power control portion **311**

controls the adapter power supply section **320** in accordance with the result of the communication of the camera control section **110** or the lens control section **210**, and controls whether or not to supply the voltage of the lens control system power supply Vc, the lens driving system power supply Vp, or the diaphragm driving power supply Vm.

Further, the adapter power control portion **311** monitors: the voltage (in other words, a state of the voltage supplied from the camera body **100** side to the adapter **300**) of the power supply system to which a voltage is supplied from the camera body **100**; and the voltage (in other words, a state of the voltage supplied from the adapter **300** side to the interchangeable lens **200**) of the power supply system to which a voltage is generated from the adapter **300** and supplied. The adapter power control portion **311** has a voltage detection portion that detects the voltages of the respective power supply systems, and thus monitors the voltages of the respective power supply system on the basis of the detection result obtained from the voltage detection portion, and notifies the corresponding monitoring result to the camera control section **110** as necessary. This operation will be described in detail in the "process at the time of temporary blackout of power supply" (FIG. **16**) to be described later.

The diaphragm control portion **314** controls the diaphragm interlocking lever driving section **330** in accordance with the result of communication with the camera control section **110** or the lens control section **210**.

For example, the diaphragm control portion **314** controls the diaphragm interlocking lever driving section **330**, in accordance with the result of communication with the camera control section **110**, so as to make the diaphragm aperture diameter of the diaphragm mechanism **251** equal to the diaphragm aperture diameter corresponding to the instruction of the control issued from the camera control section **110**.

Further, the diaphragm control portion **314** performs control, which moves the position of the diaphragm interlocking lever **350** to the initial position in accordance with the process, on the diaphragm interlocking lever driving section **330**. For example, the diaphragm control portion **314** controls the diaphragm interlocking lever driving section **330** so as to move the diaphragm interlocking lever **350** to the position, at which the diaphragm mechanism **251** is open, as the initial position, and the retractable position at which it does not interfere with the diaphragm lever **252** moved in accordance with the setting aperture value of the diaphragm mechanism **251**.

Further, the diaphragm control portion **314** acquires the position of the diaphragm interlocking lever **350** detected in the diaphragm interlocking lever driving section **330**.

The first adapter communication portion **312** performs communication of the first data communication system D1b with the first camera communication portion **112**, and performs communication of the first data communication system D1L with the first lens communication portion **212**.

Specifically, the first adapter communication portion **312** relays communication between the first data communication system D1b and the first data communication system D1L, which are communication standards different from each other. For example, the first adapter communication portion **312** converts data, which is received from the first camera communication portion **112** in conformity with the communication standard (first communication standard) of the first data communication system D1b as the full-duplex communication of the serial interface system, into data of the communication standard (second communication standard)

of the data communication system D1L as the half-duplex communication of the serial interface system, and transmits the data to the first lens communication portion 212. On the other hand, the first adapter communication portion 312 converts data, which is received from the first lens communication portion 212 on the basis of the communication standard (second communication standard) of the data communication system D1L as the half-duplex communication of the serial interface system, into data of the communication standard (first communication standard) of the data communication system D1b as the full-duplex communication of the serial interface system, and transmits the data to the first camera communication portion 112.

Further, the first adapter communication portion 312 relays communication between the first data communication system D1b and first data communication system D1L communicated with periods different from each other.

Furthermore, the first adapter communication portion 312 performs a conversion process to obtain consistency between the formats of the data exchanged between the first data communication system D1b and the first data communication system D1L.

In addition, the adapter control section 310 includes, for example, a storage portion (not shown in the drawing). The first adapter communication portion 312 temporarily stores the data, which is generated on the basis of the received data, the converted data, and the like, in the corresponding storage portion. In addition, the first adapter communication portion 312 reads out the generated data from the corresponding portion, and transmits the data.

The first adapter communication portion 312 and the first camera communication portion 112 perform communication of the first data communication system D1b through the signal lines for the four types of signals RDY, CLK1, DATAB, and DATAL. The terminal Tb4 is connected to the first adapter communication portion 312 through the signal line of the signal RDY. Further, the terminal Tb5 is connected to the first adapter communication portion 312 through the signal line of the signal CLK1, the terminal Tb6 is connected thereto through the signal line of the signal DATAB, and the terminal Tb7 is connected thereto through the signal line of the signal DATAL. In addition, the terminal Tb4 is connected to the terminal Ta4 of the camera body 100, the terminal Tb5 is connected to the terminal Ta5, the terminal Tb6 is connected to the terminal Ta6, and the terminal Tb7 is connected to the terminal Ta7.

That is, the signal lines for the four types of the signals RDY, CLK1, DATAB, and DATAL for performing communication of the first data communication system D1b are connected between the first adapter communication portion 312 and the first camera communication portion 112 through the terminals Tb4 to Tb7 and the terminals Ta4 to Ta7.

On the other hand, the first adapter communication portion 312 and the first lens communication portion 212 perform communication of the first data communication system D1L through the signal lines for the three types of the signals R/W, CLK2, and DATA. The terminal Tc4 is connected to the first adapter communication portion 312 through the signal line of the signal R/W. Further, the terminal Tc5 is connected to the first adapter communication portion 312 through the signal line of the signal CLK2, and the terminal Tc6 is connected thereto through the signal line of the signal DATA. In addition, the terminal Tc4 is connected to the terminal Td4 of the interchangeable lens 200, the terminal Tc5 is connected to the terminal Td5, and the terminal Tc6 is connected to the terminal Td6.

That is, the signal lines for the three types of the signals R/W, CLK2, and DATA for performing communication of the first data communication system D1L are connected between the first adapter communication portion 312 and the first lens communication portion 212 through the terminals Tc4 to Tc6 and the terminals Td4 to Td6.

As described above, the communication of the first data communication system D1b and the communication of the first data communication system D1L are performed between the first camera communication portion 112 and the first lens communication portion 212 through the first adapter communication portion 312. In the communication of the first data communication system D1b and the communication of the first data communication system D1L, for example, information of the optical system 220, a request command such as a control instruction, and data of response to the request command are communicated between the first camera communication portion 112 and the first lens communication portion 212 through the first adapter communication portion 312. Here, communication in the first data communication system D1b and the first data communication system D1L is referred to as "command data communication".

In addition, the information of the optical system 220 is information indicating the type of the optical system 220 (information indicating a specification, a function, an optical characteristic of the optical system 220, and the like), information indicating the driving status of the optical system 220, or the like.

As described above, the first adapter communication portion 312 in the adapter control section 310 has: a function of receiving a camera control command, which is output from the first camera communication portion 112 of the camera control section 110 (in other words, the first reception section); a function of transmitting a lens control command, which is for controlling driving of the driving elements of the interchangeable lens 200, to the first lens communication portion 212 of the interchangeable lens 200 in accordance with contents received by the first reception section (in other words, the first transmission section); a function of receiving status information, which indicates the driving statuses of the driving elements, from the first lens communication portion 212 of the interchangeable lens 200 (in other words, the second reception section); and a function of transmitting the status information, which indicates the driving statuses of the driving elements, to the first camera communication portion 112 of the camera body 100 on the basis of contents received by the second reception section (in other words, the second transmission section).

The second adapter communication portion 313 receives a pulse signal of the data communication system D2L (fourth communication standard) from the second lens communication portion 213, and performs communication of the data communication system D2b (third communication standard) with the second camera communication portion 113.

Specifically, the second adapter communication portion 313 detects information which is included in the pulse signal of the data communication system D2L, and converts the detected information in conformity with the communication standard (third communication standard) of the data communication system D2b. For example, the second adapter communication portion 313 converts data, which is received from the second lens communication portion 213 on the basis of the communication standard (fourth communication standard) of the data communication system D2L as the simplex communication of the pulse communication system, into data of the communication standard (third communica-

tion standard) of the data communication system D2b as the simplex communication of the serial interface system, and transmits the data to the second camera communication portion 113. Further, the second adapter communication portion 313 converts, through the control of the first adapter communication portion 312, information which is included in the pulse signal received by communication (fourth communication standard) of the data communication system D2L, on the basis of the communication standard (third communication standard) of the data communication system D2b, and transmits the information to the second camera communication portion 113.

The second adapter communication portion 313 and the second camera communication portion 113 performs communication of the second data communication system D2b through signal lines for four types of signals HREQ, HANS, HCLK, and HDATA. The terminal Tb8 is connected to the second adapter communication portion 313 through the signal line of the signal HREQ. Further, the terminal Tb9 is connected to the second adapter communication portion 313 through the signal line of the signal HANS, the terminal Tb10 is connected thereto through the signal line of the signal HCLK, and the terminal Tb11 is connected thereto through the signal line of the signal HDATA. In addition, the terminal Tb8 is connected to the terminal Ta8 of the camera body 100, the terminal Tb9 is connected to the terminal Tag, the terminal Tb10 is connected to the terminal Ta10, and the terminal Tb11 is connected to the terminal Ta11.

That is, the signal lines for the four types of the signals HREQ, HANS, HCLK, and HDATA for performing communication of the second data communication system D2b are connected between the second adapter communication portion 313 and the second camera communication portion 113 through the terminals Tb8 to Tb11 and the terminals Ta8 to Ta11.

On the other hand, the second adapter communication portion 313 and the second lens communication portion 213 perform communication of the second data communication system D2L through the signal lines for the two types of the signals HLP1 and HLP2. The terminal Tc7 is connected to the second adapter communication portion 313 through the signal line of the signal HLP1. Further, the terminal Tc8 is connected to the second adapter communication portion 313 through the signal line of the signal HLP2. In addition, the terminal Tc7 is connected to the terminal Td7 of the interchangeable lens 200, and the terminal Tc8 is connected to the terminal Td8.

That is, the signal lines for the two types of the signals HLP1 and HLP2 for performing communication of the second data communication system D2L are connected between the second adapter communication portion 313 and the second lens communication portion 213 through the terminals Tc7 and Tc8 and the terminals Td7 and Td8.

As described above, the communication of the second data communication system D2b and the communication of the second data communication system D2L are performed between the second camera communication portion 113 and the second lens communication portion 213 through the second adapter communication portion 313. In the communication of the second data communication system D2b and the communication of the second data communication system D2L, on the basis of the communication request signal of the second camera communication portion 113, for example, data indicating the position of the focus lens 222 and the like are communicated from the second lens communication portion 213 through the second adapter communication portion 313. Here, communication in the second

data communication system D2b and the second data communication system D2L is referred to as "hotline communication".

Details of Configuration of Power Supply Section and Power Supply System of Adapter

Next, referring to FIG. 4, details of the configuration of the adapter power supply section 320 and the power supply system in the adapter 300 will be described.

FIG. 4 is a schematic block diagram illustrating an example of the configuration of the adapter power supply section 320 and the power supply system. In the drawing, the elements corresponding to the respective sections of FIG. 3 are represented by the same reference numerals and signs, and description thereof will be omitted. Further, the adapter control section 310 shown in the drawing represents a configuration relating to the adapter power control portion 311.

The adapter power supply section 320 includes a DC-DC converter portion 321 (voltage conversion section), a first regulator portion 322, a second regulator portion 323, a Vc-voltage detection portion 325 (the voltage detection portion of the fourth power supply system), a Vp-voltage detection portion 326 (the voltage detection portion of the third power supply system), a PWR voltage detection portion 327 (the voltage detection portion of the second power supply system), a fuse F1, and a fuse F2.

The DC-DC converter portion 321 is connected to the power supply line of the power-system power supply PWR, and is thus supplied with the voltage of the power-system power supply PWR. The DC-DC converter portion 321 generates the diaphragm driving power supply Vm which is converted into the voltage stepped up to a predetermined voltage from the voltage of the power-system power supply PWR. The power supply line of the diaphragm driving power supply Vm, which is generated by the DC-DC converter portion 321, is connected to the input terminal of the first regulator portion 322 and the diaphragm interlocking lever driving section 330 through the fuse F1, thereby supplying the voltage of the diaphragm driving power supply Vm.

The first regulator portion 322 has, for example, the first linear regulator, and thus generates the lens control system power supply Vc of which the voltage is stabilized by stepping down the voltage of the diaphragm driving power supply Vm. In addition, the power supply line of the lens control system power supply Vc is connected to the terminal Tc3 described in FIG. 3.

Further, the input terminal of the second regulator portion 323 is connected to the power supply line of the power-system power supply PWR, and is thus supplied with the voltage of the power-system power supply PWR. The second regulator portion 323 has, for example, the second linear regulator, and thus generates the lens driving system power supply Vp of which the voltage is stabilized by stepping down the voltage of the power-system power supply PWR. The second regulator portion 323 is a regulator which is able to supply a larger amount of power feeding than the first regulator portion 322. In addition, the power supply line of the lens driving system power supply Vp is connected to the terminal Tc2 described in FIG. 3 through the fuse F2.

The connection positions of the fuses are not limited to the connection positions of the fuse F1 and the fuse F2 shown in the drawing. For example, a fuse, which is connected in series to the power supply line of the diaphragm driving power supply Vm, may be configured to be connected in series to each of the power supply lines divided into the power supply line, which is connected to the diaphragm

interlocking lever driving section **330**, and the power supply line, which is connected to the first regulator portion **322**. Further, a fuse may be configured to be connected in series to the power supply line of the lens control system power supply V_c . Furthermore, the fuse **F2**, which is connected in series to the power supply line of the lens driving system power supply V_p is connected in series to the second regulator portion **323** side relative to the connection point between the power supply line of the lens driving system power supply V_p and the V_p -voltage detection portion **326**. However, the fuse **F2** may be configured to be connected in series to the side of the terminal $Tc2$ relative to the corresponding connection point. Further, likewise, when a fuse is connected in series to the power supply line of the lens control system power supply V_c , the fuse may also be configured to be connected in series to either one of the first regulator portion **322** side and the terminal $Tc3$ side relative to the connection point between the power supply line of the lens control system power supply V_c and the V_c -voltage detection portion **325**.

The fuses protect electric circuits by cutting off current when an undesirable large current greater than or equal to the rated current flows into each power supply line.

Further, the signal line of the control signal $CTL1$ is connected to the control signal output terminal of the adapter control section **310** and the DC-DC converter portion **321** (for example, the control terminal for output control provided in the DC-DC converter portion **321**). The DC-DC converter portion **321** controls the supply state of the voltage of the diaphragm driving power supply V_m on the basis of the control signal $CTL1$, which is supplied from the adapter control section **310**, so as to change the state into a power feeding state (a state in which the voltage is supplied) or a cut-off state (a state in which the voltage supply is stopped). For example, when the control signal $CTL1$ is in an H (high) state, the DC-DC converter portion **321** controls the voltage of the diaphragm driving power supply V_m such that it attains the power feeding state. Further, when the control signal $CTL1$ is in an L (low) state, the DC-DC converter portion **321** controls the voltage of the diaphragm driving power supply V_m such that it attains the cut-off state.

In addition, in the first regulator portion **322**, in response to the supply of the voltage of the diaphragm driving power supply V_m , the voltage of the lens control system power supply V_c is fed, and in response to the supply stop of the voltage of the diaphragm driving power supply V_m , the voltage of the lens control system power supply V_c is cut off. That is, the supply state of the voltage of the lens control system power supply V_c generated in the first regulator portion **322** is controlled on the basis of the control signal $CTL1$ similarly to the supply state of the voltage of the diaphragm driving power supply V_m .

Further, the signal line of the control signal $CTL2$ is connected to the control signal output terminal of the adapter control section **310**, and the second regulator portion **323** (for example, the control terminal for output control provided in the second regulator portion **323**). The second regulator portion **323** controls the supply state of the voltage of the lens driving system power supply V_p on the basis of the control signal $CTL2$, which is supplied from the adapter control section **310**, so as to change the state into a power feeding state (a state in which the voltage is supplied) or a cut-off state (a state in which the voltage supply is stopped). For example, when the control signal $CTL2$ is in an H (high) state, the second regulator portion **323** controls the voltage of the lens driving system power supply V_p such that it attains the power feeding state. Further, when the control

signal $CTL2$ is in an L (low) state, the second regulator portion **323** controls the voltage of the lens driving system power supply V_p such that it attains the cut-off state.

The voltage detection terminal of the V_c -voltage detection portion **325** is connected to the power supply line of the lens control system power supply V_c . Thereby, the V_c -voltage detection portion **325** detects the voltage of the lens control system power supply V_c , and supplies the detection signal V_{c_sen} to the adapter control section **310**. For example, the signal line of the detection signal V_{c_sen} , which is supplied from the V_c -voltage detection portion **325** to the adapter control section **310**, is connected to the A/D conversion (analog/digital conversion) input terminal of the adapter control section **310**.

Further, the voltage detection terminal of the V_p -voltage detection portion **326** is connected to the power supply line of the lens driving system power supply V_p . Thereby, the V_p -voltage detection portion **326** detects the voltage of the lens driving system power supply V_p , and supplies the detection signal V_{p_sen} to the adapter control section **310**. For example, the signal line of the detection signal V_{p_sen} , which is supplied from the V_p -voltage detection portion **326** to the adapter control section **310**, is connected to the A/D conversion input terminal of the adapter control section **310**.

Further, the voltage detection terminal of the PWR voltage detection portion **327** is connected to the power supply line of the power-system power supply PWR. Thereby, the PWR voltage detection portion **327** detects the voltage of the power-system power supply PWR, and supplies the detection signal PWR_sen to the adapter control section **310**. For example, the signal line of the detection signal PWR_sen , which is supplied from the PWR voltage detection portion **327** to the adapter control section **310**, is connected to the A/D conversion input terminal of the adapter control section **310**.

The diaphragm interlocking lever driving section **330** includes a stepping motor **335** as the diaphragm driving actuator, a motor driving portion **331**, and a diaphragm interlocking lever position detection portion **332**.

The stepping motor **335** is a power source that drives the diaphragm interlocking lever **350**, and is driven by the motor driving portion **331**.

The motor driving portion **331** generates the pulse voltage and drives the stepping motor **335**, through the control of the adapter control section **310**. Further, the diaphragm interlocking lever position detection portion **332** includes, for example, a photo-interrupter, and detects the position of the diaphragm interlocking lever **350**.

The power supply line of the diaphragm driving power supply V_m , which is generated by the DC-DC converter portion **321**, is connected to the motor driving portion **331** and the diaphragm interlocking lever position detection portion **332**, and thus supplies the voltage of the diaphragm driving power supply V_m to them.

Further, the power supply line of the control system power supply V_{cc1} is connected to the adapter control section **310** and the motor driving portion **331**, and thus supplies the voltage of the control system power supply V_{cc1} to them.

The control system ground SGND is connected as a ground, which corresponds to the control system power supply V_{cc1} , to the adapter control section **310**, the motor driving portion **331**, the first regulator portion **322**, and the V_c -voltage detection portion **325**.

Further, the power system ground PGND is connected as a ground, which corresponds to the power-system power supply PWR, to the DC-DC converter portion **321**, the second regulator portion **323**, the V_p -voltage detection por-

tion 326, the PWR voltage detection portion 327, the motor driving portion 331, and the diaphragm interlocking lever position detection portion 332.

As described above, the adapter 300 generates the voltage of the lens driving system power supply V_p and the voltage of the lens control system power supply V_c , which are supplied to the interchangeable lens 200, from the voltage of the power-system power supply PWR, between the voltage of the control system power supply V_{cc1} and the voltage of the power-system power supply PWR which are supplied from the camera body 100. That is, the adapter control section 310 is supplied with the voltage of the control system power supply V_{cc1} from the camera body 100, and the lens control section 210 of the interchangeable lens 200 is supplied with the voltage of the lens control system power supply V_c which is generated from the power-system power supply PWR in the adapter 300. Further, the optical system driving section 230 of the interchangeable lens 200 is supplied with the voltage of the lens driving system power supply V_p which is generated from the power-system power supply PWR in the adapter 300.

Thereby, the adapter 300 is able to generate and supply a voltage for driving the interchangeable lens 200 from the power-system power supply PWR supplied from the camera body 100. For example, in contrast with the amount of power feeding supplied to both the adapter control section 310 and the lens control section 210, the amount of power feeding of the control system power supply V_{cc1} supplied from the camera body 100 may be insufficient. Even in this case, the adapter 300 is able to feed a voltage to both the adapter control section 310 and the lens control section 210 without a shortage of an amount of power feeding, and is able to feed a voltage to the optical system driving section 230. Accordingly, by connecting the camera body 100 and the interchangeable lens 200 through the adapter 300, the interchangeable lens 200 can be caused to function by driving it through the camera body 100.

Further, the adapter 300 supplies the voltage of the lens driving system power supply V_p to the load with large power consumption in contrast with the power consumption of the load to which the voltage of the lens control system power supply V_c is supplied. That is, the adapter 300 generates the lens control system power supply V_c as a power supply system that supplies a voltage to the lens control section 210, and generates the lens driving system power supply V_p , which is able to supply a larger amount of power feeding than the lens control system power supply V_c , as a power supply system that supplies a voltage to the optical system driving section 230. Thereby, the adapter 300 is able to appropriately supply a voltage to the lens control section 210 and the optical system driving section 230. Accordingly, the adapter 300 is able to appropriately supply a voltage for driving the interchangeable lens 200.

Further, the adapter 300 generates the voltage of the diaphragm driving power supply V_m by converting the voltage of the power-system power supply PWR into a voltage which is stepped up to a predetermined voltage through the DC-DC converter portion 321, and is thus able to supply a stabilized voltage to the diaphragm interlocking lever driving section 330. Furthermore, the adapter 300 generates the lens control system power supply V_c of which voltage is stabilized by stepping down the voltage of the diaphragm driving power supply V_m to a predetermined voltage through the first regulator portion 322, and is thus able to supply a voltage, which is less affected by voltage noise of the driving system, to the lens control section 210. Further, the adapter 300 generates the voltage of the lens

driving system power supply V_p by converting the voltage of the power-system power supply PWR into a voltage which is stepped down to a predetermined voltage through the second regulator portion 323, and is thus able to supply a stabilized voltage to the optical system driving section 230. Other Forms of Interchangeable Lens

Next, other forms of the interchangeable lens will be described.

The lens, which can be caused to function by connecting it to the camera body 100 through the adapter 300, is not limited to the interchangeable lens 200 described with reference to FIG. 3. Not only the interchangeable lens 200 but also various interchangeable lenses can be caused to function by connecting them to the camera body 100 through the adapter 300.

In addition, the interchangeable lens 200 described with reference to FIG. 3 has a lens control section 210 capable of communication. Thus, in the interchangeable lens, on the basis of the communication result, the lens control section 210 controls the optical system driving section 230. The interchangeable lens 200 is also referred to as a CPU (Central Processing Unit) lens in the following technique.

Non-CPU Lens

On the other hand, as shown in FIG. 5, an interchangeable lens 200B, which does not have a lens control section capable of communication, may be caused to function by connecting it to the camera body 100 through the adapter 300.

FIG. 5 is a schematic block diagram illustrating an example of a configuration of a camera system 1B including the interchangeable lens 200B which does not have the lens control section capable of communication. In the drawing, the elements corresponding to the respective sections of FIG. 3 are represented by the same reference numerals and signs, and description thereof will be omitted.

In the drawing, the interchangeable lens 200B is mounted on the camera body 100 with the adapter 300 interposed therebetween.

For example, the interchangeable lens 200B is a lens with specification in which the optical system is not electrically driven, and the lens includes a focus ring 260B by which the position of the focus lens 222B can be adjusted through user's operation, and a diaphragm ring 255B by which the aperture degree of the diaphragm mechanism 251B can be changed through user's operation. Further, the interchangeable lens 200B shown in FIG. 5 is different from the interchangeable lens 200 shown in FIG. 3 in that the interchangeable lens 200B does not include the lens control section, the optical system driving section, and the electric connection terminal.

In addition, in the interchangeable lens 200B, a user operates the diaphragm ring 255B, thereby changing the diaphragm aperture diameter (aperture degree, aperture value) of the diaphragm mechanism 251B. Hence, the adapter control section 310 controls the diaphragm interlocking lever 350 so as to move it to the retractable position (a position at which the lever does not interfere with movement) as a position which does not interfere with the position of the diaphragm lever 252B of which the position is moved by changing the diaphragm aperture diameter (aperture degree, aperture value) of the diaphragm mechanism 251B.

Thereby, the interchangeable lens 200B can be connected to the camera body 100 through the adapter 300, and can be caused to function by a manual operation in accordance with the specification of the interchangeable lens 200B.

The interchangeable lens **200B** is referred to as a Non-CPU lens in the following description.

Electromagnetic-Diaphragm-Type CPU Lens

Further, as shown in FIG. **6**, an electromagnetic-diaphragm-type interchangeable lens **200C**, which electrically drives a diaphragm mechanism **251C**, can be connected to the camera body **100** through the adapter **300**.

FIG. **6** is a schematic block diagram illustrating an example of a configuration of a camera system **1C** including the electromagnetic-diaphragm-type interchangeable lens **200C**. In the drawing, the elements corresponding to the respective sections of FIG. **3** are represented by the same reference numerals and signs, and description thereof will be omitted.

In the drawing, the interchangeable lens **200C** is mounted on the camera body **100** with the adapter **300** interposed therebetween.

The interchangeable lens **200C** shown in FIG. **6** is different from the interchangeable lens **200** shown in FIG. **3** in that the interchangeable lens **200** includes the diaphragm section **250** having the diaphragm lever **252** but the interchangeable lens **200C** includes an electromagnetic diaphragm section **250C** having a diaphragm driving portion **233C**.

For example, the interchangeable lens **200C** is a lens that includes the electromagnetic diaphragm section **250C** (EMD (Electro-magnetic Diaphragm)). The electromagnetic diaphragm section **250C** has the diaphragm mechanism **251C** and the diaphragm driving portion **233C**.

The diaphragm driving portion **233C** performs electrical driving to change the aperture diameter (aperture size, size, aperture degree, aperture value) of the diaphragm of the diaphragm mechanism **251C** through the control of the optical system control portion **211C** provided in the lens control section **210C**. Further, the diaphragm driving portion **233C** is configured to include, for example, a diaphragm driving actuator.

In addition, in the configuration shown in the drawing, when the adapter **300** controls the diaphragm mechanism **251C**, the adapter control section **310** communicates with the lens control section **210C** instead of controlling the diaphragm interlocking lever driving section **330**, thereby controlling the diaphragm mechanism **251C** through the diaphragm driving portion **233C**.

Thereby, the interchangeable lens **200C** can be connected to the camera body **100** through the adapter **300**, and the camera control section **110** communicates with the lens control section **210C** through the adapter control section **310**, whereby it is possible to cause the interchangeable lens **200C** to function.

The interchangeable lens **200C** is referred to as an electromagnetic-diaphragm-type CPU lens in the following description.

Standard Compatible Lens

In addition, FIG. **7** is a schematic block diagram illustrating an example of a configuration of a camera system **1A** in the case where a lens-side mount **201A** of an interchangeable lens **200A** and the camera body-side mount **101** of the camera body **100** are lens mounts having the same specification.

That is, the interchangeable lens **200A** is a lens appropriate for the lens mount specification and the communication standard of the camera body **100**, and is a lens which can be caused to function by directly connecting it to the camera body **100** without the adapter **300**.

In the drawing, the elements corresponding to the respective sections of FIG. **3** or **6** are represented by the same reference numerals and signs, and description thereof will be omitted.

The respective sections of an optical system **220A** and an optical system driving section **230A** of FIG. **7** have the same configuration as the respective sections of the optical system **220** and the optical system driving section **230** of FIG. **3** or **6**. Further, the respective sections of a diaphragm section **250A** have the same configuration as the respective sections of the electromagnetic diaphragm section **250C** of FIG. **6**.

The specification of the lens-side mount **201A** of the interchangeable lens **200A** is a specification which is compatible with the camera body-side mount **101** of the camera body **100** and in which the lens can be mounted on the camera body.

A connection section **201As** of the lens-side mount **201A** is connection terminals which are connected to the connection terminals of the connection section **101s** provided in the camera body **100**, and has twelve connection terminals of terminals **Tc1** to **Te12**. The interchangeable lens **200A** and the camera body **100** are connected through the connection section **201As** and the connection section **101s**. Thereby, the respective terminals of the terminal **Tc1** to **Te12** of the connection section **201As** are connected to the corresponding connection terminals among the respective connection terminals of the terminals **Ta1** to **Ta11** of the connection section **101s**. In addition, the connection section **201As** and the connection section **101s** are electrically connected.

The terminal **Te2** is connected to the terminal **Ta2** of the camera body **100**, and is supplied with the voltage of the power-system power supply **PWR** from the camera body **100**. The voltage of the power-system power supply **PWR** supplied to the terminal **Te2** is a voltage (a voltage corresponding to the voltage of the lens driving system power supply **Vp** supplied to the interchangeable lens **200**) of the lens driving system power supply supplied to the optical system driving section **230A** of the interchangeable lens **200A**.

Further, the terminal **Te3** is connected to the terminal **Ta3** of the camera body **100**, and is supplied with the voltage of the control system power supply **Vcc** from the camera body **100**. The voltage of the control system power supply **Vcc** supplied to the terminal **Te3** is a voltage (a voltage corresponding to the voltage of the lens control system power supply **Vc** supplied to the interchangeable lens **200**) of the lens control system power supply supplied to the lens control section **210A** of the interchangeable lens **200A**.

The lens control section **210A** includes an optical system control portion **211A**, a first lens communication portion **212A**, and a second lens communication portion **213A**. The optical system control portion **211A** controls the optical system driving section **230A** and a diaphragm driving portion **233A** of the diaphragm section **250A**.

The first lens communication portion **212A** and the first camera communication portion **112** performs communication of the first data communication system **D1b** through the signal lines for the four types of signals **RDY**, **CLK1**, **DATAB**, and **DATAL**. Further, the second lens communication portion **213A** and the second camera communication portion **113** performs communication of the second data communication system **D2b** through signal lines for four types of signals **HREQ**, **HANS**, **HCLK**, and **HDATA**.

As described above, the interchangeable lens **200A** is supplied with the voltage of the power-system power supply **PWR** as a voltage of the lens driving system power supply from the camera body **100**, and is supplied with the voltage

of the control system power supply V_{cc} as a voltage of the lens control system power supply. Further, the first lens communication portion **212A** and the first camera communication portion **112** are based on the same communication standard, and perform command data communication. Further, the second lens communication portion **213A** and the second camera communication portion **113** are based on the same communication standard, and perform hotline communication.

Thereby, the interchangeable lens **200A** can be directly connected to the camera body **100** through the adapter **300**, and the camera control section **110** is able to cause the interchangeable lens **200A** to function by communicating with the lens control section **210A**.

The interchangeable lens **200A** is referred to as a standard compatible lens in the following description.

Description of State Shift

Next, processes of the present embodiment will be described.

First, referring to FIG. **8**, a brief overview of the state shift according to the present embodiment will be described.

FIG. **8** is a flowchart illustrating a brief overview of the state shift between the processes relating to the interchangeable lens according to the present embodiment.

First, in the camera body **100**, when the main power supply of the camera body **100** is turned on, or when the adapter **300** is mounted in a state where the main power supply of the camera body **100** is turned on, the adapter **300** executes a "lens activation process" through the control of the camera body **100** (step **S100**).

Here, the "lens activation process" includes, for example, a process of determining detachment of the camera body-side mount **101** of the camera body **100**, a process of initializing the adapter **300** and the interchangeable lens **200** mounted on the adapter **300**, a process of controlling feeding a voltage to each power supply system, and the like. Further, for example, in the lens activation process, the camera body **100** acquires information on the specification (function) and the type of the interchangeable lens **200** which is mounted on the camera body **100** with the adapter **300** interposed therebetween. The lens activation process will be described in detail in the section of the "lens activation process" (FIG. **12**) to be described later.

In step **S100**, if the lens activation process is complete, the adapter **300** shifts the process to a "lens routine process" through the control of the camera body **100** (step **S200**).

The "lens routine process" is, for example, a state where the photography process is possible after the lens activation process is complete. In the lens routine process, the camera body **100** performs, for example, "routine communication" by which detection of the mount state of the interchangeable lens **200** mounted thereon with the adapter **300** interposed therebetween and acquisition of the information of the optical system are performed with a predetermined period. The lens routine process will be described later with reference to FIGS. **9** and **10**.

Next, the camera body **100** or the adapter **300** determines whether or not an interrupt request is issued in the lens routine process (step **S300**). In step **S300**, if it is determined that the interrupt request is absent, the adapter **300** continues the lens routine process through the control of the camera body **100**. In contrast, in step **S300**, if it is determined that the interrupt request is present, the camera body **100** or the adapter **300** shifts the process to a requested interrupt process (step **S400**). Here, the interrupt process includes, for example, a process of starting photography through a release operation, a process at the time of temporary blackout of

power supply, a process of advancing to a lower power consumption mode or cutting off a power supply by turning off the power supply, and the like. The processes will be described later.

In addition, in a case of directly mounting the standard compatible lens (for example, the interchangeable lens **200A**) on the camera body **100** instead of mounting the adapter **300** thereon, the process state shift is as shown in FIG. **8**.

Description of Command Data Communication in Lens Routine Process

Next, command data communication performed in the lens routine process (step **S200** of FIG. **8**) will be described.

FIG. **9** is a diagram illustrating an example of a communication sequence of the command data communication in the lens routine process.

The drawing shows an example of the command data communication using the exemplary camera system **1** in which the interchangeable lens **200** (CPU lens) and the camera body **100** are connected through the adapter **300**. The adapter control section **310** is able to routinely perform periodic communication with the camera control section **110**. By performing the periodic communication, in response to the request from the camera control section **110**, the adapter control section transmits the lens information (the information of the optical system **220** and the like), which is acquired from the lens control section **210**, to the camera control section **110**.

For example, in the "lens routine process" shown in FIG. **9**, the first adapter communication portion **312** asynchronously performs first regular communication to communicate with the lens control section **210** provided in the interchangeable lens **200** in a period T_f (first communication period), and second regular communication to communicate with the camera control section **110** provided in the camera body **100** in a period T_m (second communication period).

The first adapter communication portion **312** performs the communication of the first data communication system **D1L** (first regular communication) to communicate with the first lens communication portion **212** in the period T_f (for example, a period for each 64 msec) (steps **S2010** and **S2020**).

Here, the communication of the first data communication system **D1L** (first regular communication) in the lens routine process is referred to as "lens routine communication". Through the lens routine communication, the first adapter communication portion **312** acquires lens information (information of the optical system **220** and the like (first information)) from the first lens communication portion **212**.

Further, the first adapter communication portion **312** generates, lens information (information of the optical system **220** and the like (second information)) to be transmitted to the first camera communication portion **112** on the basis of the lens information acquired in step **S2010** (step **S2015**). For example, the first adapter communication portion **312** performs data conversion on data of the lens information (information of the optical system **220** and the like) acquired in step **S2010** so as to make it appropriate for the communication standard of the first data communication system **D1b**, and generates information to be transmitted to the first camera communication portion **112**.

Likewise, the first adapter communication portion **312** generates information to be transmitted to the first camera communication portion **112** through data conversion on the basis of the lens information (information of the optical system **220** and the like) acquired in step **S2020** (step **S2025**).

That is, the first adapter communication portion **312** generates the lens information (information of the optical system **220** and the like) to be transmitted to the first camera communication portion **112** in accordance with communication timing (communication timing of the period T_f) of the lens routine communication.

Regarding the above-mentioned communication of the first data communication system D1L, the first adapter communication portion **312** performs the communication of the first data communication system D1b (second regular communication) with the first camera communication portion **112** in the period T_m (for example, a period for each 16 msec) which is asynchronous to the communication (first regular communication) period T_f with the interchangeable lens **200** in the first data communication system D1L (steps **S1010**, **S1015**, **S1020**, and **S1025**). The communication period T_m is a communication period with a speed higher than that of the communication period T_f .

Here, the communication of the first data communication system D1b (second regular communication) in the lens routine process is referred to as "routine communication". The routine communication includes a lens attachment/detachment detection process (lens attachment/detachment detection) and a routine data communication process (hereinafter referred to as "routine data communication").

The lens attachment/detachment detection process of each step is a process in which the first adapter communication portion **312** responds with the detection result to the lens attachment/detachment detection instruction command issued from the first camera communication portion **112**. The first adapter communication portion **312** detects the detachment of the interchangeable lens **200** on the basis of whether or not the response of the lens routine communication from the first lens communication portion **212** is present, and transmits the detection result to the first camera communication portion **112**.

The routine data communication of each step is a communication process in which the first camera communication portion **112** acquires the lens information (information of the optical system **220** and the like) generated by the first adapter communication portion **312**. That is, in the routine data communication, the first camera communication portion **112** transmits a request command for requesting transmission of the lens information (information of the optical system **220** and the like) to the first adapter communication portion **312**, and executes a process of receiving (acquiring) the lens information (information of the optical system **220** and the like) from the interchangeable lens **200** through the adapter **300**, in accordance with the response (the transmission from the adapter to the camera side) from the first adapter communication portion **312** which receives the command. Since the request command is periodically transmitted in the routine data communication, the first camera communication portion **112** repeatedly performs the acquisition (reception) operation of the lens information whenever the routine data communication is performed.

For example, the first camera communication portion **112** acquires, through the routine data communication of step **S1010**, the lens information (second information) which is generated on the basis of the lens information (information of the optical system **220** and the like; first information) acquired by the first adapter communication portion **312** before the lens routine communication of step **S2010**. Further, the first camera communication portion **112** acquires, through the routine data communication of steps **S1015** and **S1020**, the lens information (second information) which is generated on the basis of the lens information (information

of the optical system **220** and the like; first information) acquired by the first adapter communication portion **312** in the lens routine communication of step **S2010**. Further, the first camera communication portion **112** acquires, through the routine data communication of step **S1025**, the lens information (second information) which is generated on the basis of the lens information (information of the optical system **220** and the like) acquired by the first adapter communication portion **312** in the lens routine communication of step **S2020**.

That is, the first adapter communication portion **312** transmits (responds with) the lens information which is generated as described above, to the first camera communication portion **112** in the period T_m of the routine data communication.

As described above, in the command data communication, the adapter control section **310** generates the lens information (second information) to be transmitted to the camera control section **110**, on the basis of the lens information (information of the optical system **220** and the like; first information) acquired from the interchangeable lens **200** by the lens routine communication of the period T_f . Further, the adapter control section **310** transmits the generated lens information (second information) to the camera control section **110** through the routine data communication of the period T_m .

Thereby, the adapter control section **310** is able to smoothly and reliably transmit, without delay, the lens information which is acquired and generated through the lens routine communication of the period T_f , to the camera control section **110** through the routine data communication of the period T_m which is asynchronous to the period T_f .

Accordingly, by communicating with the camera control section **110**, the adapter control section **310** is able to transmit the lens information which is acquired from the lens control section **210**, to the camera control section **110** without delay, in response to the request from the camera control section **110**.

In addition, referring to FIG. 9, the description was given of the process in which the first adapter communication portion **312** generates the lens information (information of the optical system **220** and the like) to be transmitted to the first camera communication portion **112** in accordance with the communication timing (communication timing of the period T_f) of the lens routine communication, but the present invention is not limited to this. For example, the first adapter communication portion **312** may generate the lens information (information of the optical system **220** and the like) to be transmitted to the first camera communication portion **112**, in accordance with the communication timing (communication timing of the period T_m) of the routine data communication.

Thereby, the adapter control section **310** generates the lens information to be transmitted to the camera control section **110** in accordance with the timing of the period T_m , which is asynchronous to the period T_f , from the lens information (information of the optical system **220** and the like) acquired through the lens routine communication of the period T_f , and is able to transmit the generated lens information to the camera control section **110** through the routine data communication.

Further, referring to FIG. 9, the description was given of the process in which the period T_f of the communication between the first adapter communication portion **312** and the lens control section **210** is asynchronous to the period T_m of the communication between the first adapter communication

portion **312** and the camera control section **110**, but in the process, the period T_f and the period T_m may be synchronous to each other.

Description of Lens Routine Communication

Specifically, in the "lens routine communication" which is communication with the period T_f , the communication is divided into a plurality of communications (for example, eight communications; the time necessary for a single communication is about 8 ms), and the communications are performed in a single period (for example, a period of 64 ms). The plurality of communications includes: a communication which is performed in order for the first adapter communication portion **312** to acquire information from the lens control section **210**; and a communication through which information (setting instruction) is output from the first adapter communication portion **312** to the lens control section **210**.

The first adapter communication portion **312** communicates with the first lens communication portion **212** a plurality of times in the lens routine communication, thereby acquiring the (information of the optical system **220**, information of the diaphragm section **250**, and the like; first information) from the first lens communication portion **212** for each time. Further, the first adapter communication portion **312** generates lens information to be transmitted to the first camera communication portion **112** through the routine data communication, on the basis of a plurality of lens informations, which are acquired through communications different from one another, among the lens informations which are acquired through the plurality of communications. Then, the first adapter communication portion **312** transmits the generated lens information (second information) to the first camera communication portion **112**, in response to the request from the first camera communication portion **112**.

FIG. **10** is a diagram illustrating an example of communication commands which are divisionally communicated through the plurality of communications in a single period of the lens routine communication.

As shown in the drawing, in the lens routine communication, for example, communication commands **D1** to **D8** to transmit and receive the communication data are provided, and are sequentially communicated during a time period of the single period of the lens routine communication. In the example shown in the drawing, during the time period of the single period, by sequentially communicating the communication commands **D1** to **D8** of the lens routine communication, the eight communications are performed.

In addition, in the communication commands **D1** to **D8** to transmit or receive the communication data in the lens routine communication, the following commands are present: a command to cause the adapter **300** side to acquire the lens information on the interchangeable lens **200** from the interchangeable lens **200** side; and a command to send information or instruction (setting instruction) from the adapter **300** side to the interchangeable lens **200** side. As the command to acquire the information on the interchangeable lens **200**, for example, there are provided: the communication commands **D1**, **D4**, and **D5** to communicate the information of the optical system **220** and the information indicating the driving status; and the communication command **D6** to acquire the information on the electromagnetic diaphragm.

Further, as the command to send information or instruction (setting instruction) from the adapter **300** side to the interchangeable lens **200** side, there are provided: the communication command **D2** to communicate the information

(for example, information indicating whether or not the release button is pressed halfway) which indicates the operation state of the camera body **100**; the communication command **D3** to communicate the setting information (setting instruction) of the hotline communication; and the communication commands **D7** and **D8** to communicate the instructions (setting instruction) for vibration-proof control (control of the VR lens **223**). In addition, the respective functions of the interchangeable lenses are different in accordance with respective specifications of the interchangeable lenses (the interchangeable lens **200** or other interchangeable lenses). Hence, the communication command, which is selected among the communication commands **D1** to **D8** in accordance with the specification (function) of the interchangeable lens (in accordance with the class or the type of the interchangeable lens), is communicated.

For example, by checking the specification (function) of the interchangeable lens such as presence or absence of the VR lens **223** (presence or absence of the vibration-proof function) or presence or absence of the electromagnetic diaphragm function, an unnecessary communication command is not communicated.

That is, the first adapter communication portion **312** acquires the information of the optical system **220** by dividing the information into a plurality of informations through the plurality of communications, and generates the information of the optical system **220** as unified information corresponding to the plurality of informations divisionally acquired.

The information which corresponds to the plurality of informations is information into which the plurality of informations is data-converted in accordance with the communication standard and the like.

The first adapter communication portion **312** sequentially communicates the eight types of the communication commands **D1** to **D8** in the single period of the lens routine communication (as described above, among them, the four types of communication commands **D2**, **D3**, **D7**, and **D8** are commands to communicate information and instructions to the interchangeable lens **200** side, and the remaining four types of the communication commands **D1**, **D4**, **D5**, and **D6** are commands to acquire the information from the interchangeable lens **200**). Thereby, the communication portion acquires (receives) the information on the optical system **220**, the information on the diaphragm section **250**, and the various kinds of the other lens information by dividing them into the four types of informations (by divisionally communicating them in four times), and divisionally transmits four types of information instructions to the interchangeable lens **200**.

Further, the first adapter communication portion **312** generates the information of the optical system **220** to be transmitted to the first camera communication portion **112**, on the basis of the information which is divisionally acquired for each of the four communications in the single period. Here, regarding the information of the lens (for example, the optical system **220**) generated by the first adapter communication portion **312** in the single period (in other words, the information to be transmitted to the first camera communication portion **112**), each information divisionally acquired is not generated for each reception of the communications and transmitted to the camera body **100**. Instead, on the basis of all the informations divisionally received in the single period (in the present embodiment, all the lens informations divisionally received in four times), the lens information to be transmitted is generated, and the

generated lens information is transmitted to the camera body **100**. That is, the lens information to be transmitted to the camera body **100** is not only the respective informations, which are divisionally acquired, but also the information in which all the four types of the informations received (four times) are collected (unified in order to be transmitted to the camera body **100**) (in other words, the adapter **300** does not divisionally transmit the respective lens informations, which are divisionally received four times in the interchangeable lens **200**, to the camera body **100** through the respective four communications, but transmits them to the camera body **100** once). With such a configuration, it is possible to suppress the frequency of communications between the adapter **300** and the camera body **100**. Thus, it is possible to reduce the processing load to both control sections (the adapter control section **310** and the camera control section **110**).

In addition, the first adapter communication portion **312** generates, in a prescribed format, the lens information (information of the optical system **220**), which is to be transmitted to the first camera communication portion **112** through the "routine data communication" (refer to FIG. 9), on the basis of the lens information (for example, the information of the optical system **220**) which is acquired through the "lens routine communication" (refer to FIG. 9).

Here, the prescribed format is a format which is prescribed by the communication standard of the command data communication of the first data communication system D1b between the first adapter communication portion **312** and the first camera communication portion **112**, and is also a format in which the data configuration to transmit the information of the optical system **220** and the like are prescribed. For example, the data configuration of information indicating the type of the optical system **220**, information indicating the driving status of the focus lens **222**, information indicating the driving status of the VR lens **223**, and the like, as the information of the optical system **220**, is prescribed.

As described above, the first adapter communication portion **312** converts the lens information (information of the optical system **220**), which is acquired as the plurality of informations divided through the plurality of communications in the "lens routine communication", into the (singly unified) information in which they are unified in the prescribed format, and transmits the information through the single communication in the "routine data communication". That is, the first adapter communication portion **312** converts communication data, which is transmitted and received in the communication format of the "lens routine communication", into communication data which is transmitted and received in the communication format of the "routine data communication".

Accordingly, the adapter **300** is provided between the camera body **100** and the interchangeable lens **200** having mutually different communication standard, and is thereby able to acquire the information of the optical system **220** of the interchangeable lens **200** and transmit the information to the camera body **100**.

The embodiment described an example in which all the lens informations, which are divisionally acquired a plurality of times, are unified, and the unified information is transmitted to the camera body **100**, but not all of them may be used.

For example, by selecting some (for example, two or three) of the informations which are received a plurality of times (in the above description, four times), the selected informations may be unified and transmitted.

Further, the adapter **300** is configured to transmit the lens information which is acquired from the lens **200**, in com-

ination with the contents to be transmitted (so as to be appropriate for the request from the camera body **100**) not only in accordance with the communication format of the "routine data communication" but also in response to the request command from the camera body **100** (on the basis of the analysis of the request command) Therefore, the adapter is compatible with various request commands from the camera body **100**.

Communication Process of Detecting Driving Status of Driving Element (or Optical System Driving Section) of Interchangeable Lens

Next, the communication process of the driving status of the driving element (the optical system **220** or the diaphragm section **250**) or the optical system driving section **230** of the interchangeable lens **200** will be described.

The adapter control section **310** receives the control command output from the camera control section **110** (for example, the first reception section of the first adapter communication portion **312** performs the reception), and transmits a lens control command, depending on the contents (the contents received by the first reception section) of the received control command, for controlling the driving of the optical system driving section **230** (in other words, the driving element such as the optical system **220** or the diaphragm section **250** in the interchangeable lens **200**), to the lens control section **210** (for example, the first transmission section of the first adapter communication portion **312** performs the transmission). Further, after transmitting the corresponding lens control command, the adapter control section **310** receives status information which indicates the driving status of the optical system driving section **230**, from the lens control section **210** (for example, the second reception section of the first adapter communication portion **312** performs the reception), and on the basis of the received contents (the contents received by the second reception section), transmits the status information which indicates the driving status of the driving element, to the camera control section **110** (for example, the second transmission section of the first adapter communication portion **312** performs the transmission).

That is, after transmitting the lens control command for the optical system driving section **230** to the lens control section **210**, the adapter control section **310** receives the status information which indicates the driving status of the optical system driving section **230**, from the lens control section **210**, and then transmits the status information to the camera control section **110**.

However, when transmitting a lens control command (first lens control command) for an instruction to start driving the driving element to the lens control section **210** (for example, when performing the transmission from the first transmission section), the adapter control section **310** transmits, regardless of the reception of the second reception section, the status information which indicates that the driving of the driving element is in progress, to the camera control section **110** (performs the transmission from the second transmission section).

For example, when receiving the lens control command to start the driving from the adapter control section **310**, the lens control section **210** drives the optical system driving section **230** in response to the instruction of the corresponding control command. Further, the lens control section **210** transmits, in response to the driving start of the optical system driving section **230**, status information which indicates that "the driving of the driving element in the interchangeable lens **200** is in progress", to the adapter control section **310**.

Here, the adapter control section **310** may be configured to wait for the reception of the status information from the lens through the lens routine communication, and then transmit the received status information to the camera control section **110** through the routine data communication. In such a configuration, regarding timing at which the driving of the optical system driving section **230** is started (that is, the driving is in progress), sometimes it may take time until the status information indicating that the driving is in progress is transmitted to the camera control section **110** (the timing of the reception by the camera control section **110** may be delayed).

The reason is that the lens routine communication and the routine data communication are asynchronous to each other and the communications are performed in mutually different periods. Further, another reason is that, in order for the adapter control section **310** to relay communication between the lens routine communication and the routine data communication as communication standards different from each other, a data conversion process is necessary.

As described above, in the adapter control section **310**, there is a time lag between the timing of the driving start of the optical system driving section **230** and the timing of the reception of the status information which indicates that “the driving is in progress”, by the camera control section **110**. That is, in the camera control section **110**, even though the driving of the optical system driving section **230** is already in progress, there is a time period in which it is difficult to receive the status information which indicates that “the driving is in progress”.

In order to reduce the above-mentioned time lag, the adapter control section **310** transmits the lens control command (first lens control command) to start the driving of the optical system driving section **230** to the lens control section **210** (for example, performs the transmission from the first transmission section), and then (immediately thereafter) transmits the status information (the status information which indicates the “driving-in-progress” status), which indicates that the driving is already in progress, to the camera control section **110** without waiting for the response (the response of the status information which indicates the driving status of the driving element) from the lens control section **210** (for example, without waiting for the reception by the second reception section).

In addition, the adapter control section **310** according to the present embodiment is configured to transmit the lens control command, which indicates the above-mentioned driving start, to the lens control section **210**, and then transmit the status information which indicates that “the driving is in progress”, to the camera control section **110**. Regarding this sequence, for example, the operation sequence of the adapter control section **310** may be improved such that the above-mentioned lens control command is transmitted to the lens control section **210** and the “driving-in-progress” status information is transmitted to the camera control section **110**.

On the other hand, when the driving of the optical system driving section **230** is stopped, the adapter control section **310** acquires the response (status information), which indicates that the optical system driving section **230** is in a stopped state, from the lens control section **210**, and then transmits the status information which indicates the “driving stop status”, to the camera control section **110**. That is, when stopping the driving of the optical system driving section **230**, the adapter control section **310** checks the actual stopped state (receives the response, which indicates the

intent thereof, from the lens control section **210**), and then responds with the intent to the camera control section **110**.

FIG. **11** is a diagram illustrating an example of the communication sequence for detecting the driving status of the optical system driving section **230** (or the above-mentioned driving element).

Referring to the drawing, a description will be given of a process in which the adapter control section **310** communicates the driving status of the optical system driving section **230** (or the above-mentioned driving element).

In addition, the first camera communication portion **112** performs the routine data communication with the first adapter communication portion **312** in the period T_m (steps **S1032**, **S1036**, **S1038**, and **S1040**). Further, the first adapter communication portion **312** performs the lens routine communication with the first lens communication portion **212** in the period T_f (steps **S2034** and **S2038**).

First, when the camera control section **110** controls the optical system driving section **230** provided in the interchangeable lens **200**, the first camera communication portion **112** transmits a lens control command to control the optical system driving section **230** to the first adapter communication portion **312** (step **S1030**). For example, the first camera communication portion **112** transmits a lens control command (driving start command) to move the position of the focus lens **222** to a target position.

Next, the first adapter communication portion **312** converts the received lens control command (driving start command) into a lens control command (driving start command) to be transmitted to the first lens communication portion **212**, and transmits the converted lens control command (driving start command) to the first lens communication portion **212** (step **S2030**). Further, after transmitting the lens control command to the first lens communication portion **212**, the first adapter communication portion **312** sets the driving status to “driving in progress” without detecting the driving status of the optical system driving section **230** (step **S2032**). For example, in response to the lens control command to the position of the focus lens **222** to the target position, the first adapter communication portion **312** sets the status information which indicates the driving status of the focus lens **222**, to “driving in progress”.

The first adapter communication portion **312** responds with the status information which is set to “driving in progress”, to the first camera communication portion **112** through the routine data communication (step **S1032**). The first camera communication portion **112** detects that the status information is “driving in progress” through the routine data communication of step **S1032** (step **S1035**).

Further, the first lens communication portion **212** receives the lens control command which is transmitted from the first adapter communication portion **312** in step **S2030**. The optical system control portion **211** of the lens control section **210** controls the optical system driving section **230** such that it starts the driving thereof on the basis of the lens control command (driving start command) (step **S3030**). For example, in response to the lens control command to the position of the focus lens **222** to the target position, the optical system control portion **211** controls the optical system driving section **230** such that it starts driving the focus lens **222**.

Furthermore, in response to the driving start of the focus lens **222** through the control of the optical system driving section **230**, the optical system control portion **211** sets the status information provided in the interchangeable lens **200**

to “driving in progress” which indicates that the driving status of the focus lens 222 is driving in progress (step S3032).

Next, the first lens communication portion 212 responds with the “driving-in-progress” status information which is set by the optical system control portion 211 in step S3032 through the lens routine communication (step S2034). Then, the first adapter communication portion 312 acquires the “driving-in-progress” status information which is the response transmitted through the lens routine communication (step S2036). In addition, in step S2036, the first adapter communication portion 312 acquires only the “driving-in-progress” status information, and does not perform transmission to the first camera communication portion 112.

Subsequently, when shift of the focus lens 222 to the target position is complete, the optical system control portion 211 controls the optical system driving section 230 such that it stops driving the focus lens 222 (step S3034). Further, in response to the stopping of the driving, the optical system control portion 211 sets the status information which is provided in the interchangeable lens 200, to “driving stop” which indicates that the driving status of the focus lens 222 is a driving stop status (step S3036).

Next, the first lens communication portion 212 responds with the “driving stop” status information which is set by the optical system control portion 211 in step S3036, through the lens routine communication (step S2038). Then, the first adapter communication portion 312 acquires the “driving stop” status information which is the response transmitted through the lens routine communication (step S2040).

The first adapter communication portion 312 responds with the status information which is set to “driving stop”, to the first camera communication portion 112 through the routine data communication (step S1040). The first camera communication portion 112 detects that the status information is “driving stop” through the routine data communication of step S1040 (step S1045).

As described above, the first adapter communication portion 312 transmits a control command to start driving the optical system driving section 230 to the first lens communication portion 212, then does not wait for the response from the first lens communication portion 212, and transmits the status information (status information which indicates that the driving is in progress), which indicates the driving status, to the first camera communication portion 112.

Further, when the driving of the optical system driving section 230 is stopped, the first adapter communication portion 312 acquires the response, which indicates that the optical system driving section 230 is in the stopped state, from the first lens communication portion 212, and transmits the status information which indicates the driving status, to the first camera communication portion 112.

Thereby, the first adapter communication portion 312 is able to reduce the time lag between the timing of the driving start of the optical system driving section 230 and the timing of the reception of the status information which indicates that the driving is in progress, by the first camera communication portion 112.

Accordingly, in the first camera communication portion 112, even though the driving of the optical system driving section 230 is in progress, it is possible to eliminate the time period in which it is difficult to receive the status information indicating that the driving is in progress. Further, when the driving of the optical system driving section 230 is stopped, the first adapter communication portion 312 detects that the

driving is in the stopped state, and is then able to transmit the status information to the first camera communication portion 112.

Lens Activation Process

Next, a lens activation process (the process of step S100 in FIG. 8) will be described.

First, a brief overview of the lens activation process will be given.

When the supply of the voltage of the control system power supply Vcc1 from the camera body 100 is started (after the power feeding from the control system power supply Vcc1 to the adapter control section 310 is started), the adapter control section 310 transmits a power-system power supply PWR request signal, which is for requesting the supply start of the voltage of the power-system power supply PWR, to the camera body 100. That is, the adapter control section 310 is supplied with the voltage of the control system power supply Vcc1 from the camera body 100, and then transmits the power-system power supply PWR request signal, which is for requesting start of the power feeding from the power-system power supply PWR, to the camera body 100.

Further, the adapter control section 310 causes the adapter power supply section 320 to generate the voltage of the lens control system power supply Vc and the voltage of the lens driving system power supply Vp for supplying a voltage to the interchangeable lens 200 from the voltage of the power-system power supply PWR which is supplied from the camera body 100 in response to the power-system power supply PWR request signal. In addition, after the power feeding from the power-system power supply PWR is started, the adapter control section 310 causes the adapter power supply section 320 to generate the voltage of the lens driving system power supply Vp and the voltage of the lens control system power supply Vc, and supplies them to the interchangeable lens 200.

For example, after the power feeding to the adapter power supply section 320 from the power-system power supply PWR is started, the adapter control section 310 supplies the voltage of the lens control system power supply Vc from the adapter power supply section 320 to the interchangeable lens 200 (starts the power feeding from the lens control system power supply Vc). Subsequently, after the voltage of the lens control system power supply Vc is supplied from the adapter power supply section 320 to the interchangeable lens 200, the adapter control section 310 supplies the voltage of the lens driving system power supply Vp to the interchangeable lens 200.

Specifically, in response to the supply of the voltage of the lens control system power supply Vc to the interchangeable lens 200, when receiving the lens driving system power supply Vp request signal which indicates the request to start the supply of the voltage of the lens driving system power supply Vp from the interchangeable lens 200, the adapter control section 310 supplies the voltage of the lens driving system power supply Vp from the adapter power supply section 320 to the interchangeable lens 200.

Further, after the supply of the voltage of the control system power supply Vcc1 from the camera body 100 is started, the adapter control section 310 executes an initialization process in response to the control instruction from the camera control section 110. For example, the adapter control section 310 executes the process of initializing the status of the interchangeable lens 200 as the initialization process (makes a request for the interchangeable lens 200). That is, after the power feeding to the interchangeable lens 200 is performed (the power of the lens system power supply

system is supplied to the interchangeable lens 200), the adapter control section 310 executes the process of initializing the status of the interchangeable lens 200 (makes a request for the interchangeable lens 200).

Further, the process of initializing the status of the interchangeable lens 200 includes a lens control section initialization process of initializing the lens control section 210.

For example, by feeding a voltage to the interchangeable lens 200 through the initialization process, the adapter control section 310 detects whether or not the interchangeable lens 200 is mounted on the adapter 300. Then, after detecting whether or not the interchangeable lens 200 is mounted on the adapter 300, the adapter control section 310 executes the lens control section initialization process of initializing the lens control section 210.

Next, details of the lens activation process of the camera system 1 will be described.

FIG. 12 is a diagram illustrating an example of a process sequence of the lens activation process. The drawing shows an example of the lens activation process in a case where the main power supply of the camera body 100 is turned on.

The lens activation process is performed in the order of attachment/detachment determination (step S110), information exchange between the camera body 100 and the adapter 300 (step S120), initialization (step S130), lens information acquisition (step S160), and lens function start (step S170). Further, in the initialization (step S130), as processes which are performed on the interchangeable lens 200 by the adapter 300, a mounting determination process (step S140) and a lens initialization process (step S150) are sequentially executed.

In addition, in the activation process, communication, which is performed between the camera body 100 and the interchangeable lens 200 through the adapter 300, is the command data communication.

First, the attachment/detachment determination (step S110) is a process in which the camera body 100 starts feeding a voltage of the control system power supply Vcc1 to the adapter 300 and determines whether the adapter 300 (or the interchangeable lens 200A) is mounted.

When the main power supply of the camera body 100 is turned on, the camera control section 110 controls the camera power supply section 120 such that it supplies (feeds) the voltage of the control system power supply Vcc1 to the adapter 300 (step S110). Thereby, the adapter control section 310 is supplied with the voltage of the control system power supply Vcc1. The adapter control section 310 performs the adapter activation process in response to the supply of the voltage of the control system power supply Vcc1, and notifies whether or not to perform communication to the first camera communication portion 112 from the first adapter communication portion 312 (step S210). For example, in response to the supply of the voltage of the control system power supply Vcc1, the first adapter communication portion 312 controls the signal RDY such that it is set to the H (high) level, and controls the signal RDY such that it is set to the L (low) level through the adapter activation process. Then, the first camera communication portion 112 detects the falling edge of the signal level of the signal RDY, thereby acquiring mount information (step S112).

Thereby, the camera control section 110 performs attachment/detachment determination as to whether or not the adapter 300 is mounted, on the basis of the mount information acquired by the first camera communication portion 112 (step S114). For example, the camera control section 110 performs the attachment/detachment determination, on the

basis of the mount information which indicates whether or not the falling edge of the signal level of the signal RDY is detected.

In step S114, if it is determined that the adapter 300 is mounted on the camera body 100, the camera control section 110 advances the process to the information exchange (step S120) between the camera body 100 and the adapter 300.

In addition, if the standard compatible lens (for example, the interchangeable lens 200A) is directly mounted on the camera body 100 without the adapter 300, the camera control section 110 advances the process to step S120 similarly to the above. In this case, the process of step S120 is a process of exchanging information between the camera body 100 and the interchangeable lens 200A.

Further, if it is determined that the lens is not mounted in step S114, the camera control section 110 determines that the current state is an unmounted state where either one of the adapter 300 or the interchangeable lens 200A is not mounted on the camera body 100.

In the information exchange between the camera body 100 and the adapter 300 in step S120, the following process is performed.

The first camera communication portion 112 establishes communication (command data communication) with the first adapter communication portion 312. Then, the first camera communication portion 112 and the first adapter communication portion 312 intercommunicate and acquire information such as identification IDs, names, and firmware versions of the camera body 100 and the adapter 300. Further, the first adapter communication portion 312 transmits the power-system power supply PWR request signal, which is for requesting the supply start of the voltage of the power-system power supply PWR, to the first camera communication portion 112 (steps S1120 and S2120).

Subsequently, the process of initialization (step S130) is performed. The process of initialization is a process of initializing the adapter 300 and the interchangeable lens 200 by supplying the voltage of the power-system power supply PWR from the camera body 100.

First, when the first camera communication portion 112 receives the power-system power supply PWR request signal, the camera control section 110 controls a switch 125 such that it is in a conducting state, thereby supplying (feeding) the voltage of the power-system power supply PWR from the battery 190 to the adapter 300 (step S1130).

Next, the first camera communication portion 112 transmits an initialization execution command as an initialization request to the first adapter communication portion 312 (step S1140).

When the first adapter communication portion 312 receives the initialization execution command, the adapter control section 310 executes the mounting determination process (step S140) and the lens initialization process (step S150).

The mounting determination process (step S140) is a process of determining whether the interchangeable lens is mounted on the adapter 300.

The adapter control section 310 causes the adapter power supply section 320 to generate the voltage of the lens control system power supply Vc and supply (feed) the voltage to the interchangeable lens 200. Next, the first adapter communication portion 312 executes the lens mounting determination process through the communication with the first lens communication portion 212, thereby determining whether or not the interchangeable lens is mounted. If the interchangeable lens 200 is mounted, the first lens communication portion 212 transmits the lens driving system power supply Vp

request signal to the first adapter communication portion **312** (steps **S2140** and **S3140**). Then, the adapter control section **310** advances the process to the lens initialization process (step **S150**).

The lens initialization process (step **S150**) is a process of initializing the adapter **300** and the interchangeable lens **200**.

When the first adapter communication portion **312** receives the lens driving system power supply V_p request signal, the adapter control section **310** causes the adapter power supply section **320** to generate the voltage of the lens driving system power supply V_p and supply (feed) the voltage to the interchangeable lens **200**. Next, the first adapter communication portion **312** executes the lens initialization process through the communication with the first lens communication portion **212** (steps **S2150** and **S3150**). Here, the reason why the lens driving system power supply V_p is not supplied from the adapter **300** side to the interchangeable lens **200** side is as follows. In some interchangeable lenses, it may not be necessary to supply power to the lenses (for example, manual focus lenses). When such an interchangeable lens is mounted, it is an unnecessary task for the adapter **300** to generate the lens driving system power supply V_p and perform the power supply operation. Therefore, in the present embodiment, in order for the adapter **300** not to perform the unnecessary task, the power feeding sequence of the power supply is determined.

Next, when the adapter **300** and the interchangeable lens **200** are completely initialized, as a result of the response to an initialization confirmation command, the first camera communication portion **112** receives "initialization completion" as information which indicates that the initialization is complete, from the first adapter communication portion **312**. Thereby, the camera control section **110** acquires the initialization completion information (step **S1150**).

When the initialization is complete, the camera control section **110** determines whether or not the adapter **300** is mounted, on the basis of the information acquired through the information exchange between the camera body **100** and the adapter **300** of step **S1120** (step **S1155**). In step **S1155**, if it is determined that the adapter **300** is not mounted, the camera control section **110** determines that the standard compatible lens (for example, the interchangeable lens **200A**) is directly mounted on the camera body **100** without the adapter **300**. In contrast, in step **S1155**, if it is determined that the adapter **300** is mounted, the camera control section **110** advances the process to the process of the lens information acquisition (step **S160**).

The process of the lens information acquisition (step **S160**) includes the process of determining whether the interchangeable lens is mounted on the adapter **300** and a process of acquiring information of the interchangeable lens **200** mounted on the adapter **300**. The information of the interchangeable lens **200** includes, for example, the type of the lens, presence or absence of the hotline communication function, presence or absence of the vibration-proof function, presence or absence of the electromagnetic diaphragm, the full-aperture F value, focal length information, and the like.

The first camera communication portion **112** transmits a lens information acquisition command to the first adapter communication portion **312**, and receives the response of the lens information from the first adapter communication portion **312**, thereby acquiring the information of the interchangeable lens **200** (steps **S1160** and **S2160**).

Next, the camera control section **110** determines the type (class) of the interchangeable lens **200** on the basis of the lens information which is acquired in the lens information

acquisition (step **S160**) (step **S1165**). For example, the camera control section **110** determines whether or not a CPU lens is mounted on the adapter **300** on the basis of the determination result of the mounting determination process (step **S140**).

If it is determined that the CPU lens is not mounted in step **S1165**, it is determined that a non-CPU lens is mounted, activation is performed, and the process ends.

In contrast, if it is determined that the CPU lens is mounted in step **S1165**, the process advances to the lens function start (step **S170**).

Further, the camera control section **110** determines, on the basis of the acquired lens information, whether or not the lens is, for example, a lens having an AF control (processing) function, a lens having a function (vibration-proof control function) of control (processing) of the VR lens **223**, or an electromagnetic-diaphragm-type lens.

The process of the lens function start (step **S170**) is a process of starting respective functions thereof in accordance with the type (function) of the interchangeable lens on the basis of the lens information which is acquired in the process of the lens information acquisition (step **S160**). The first camera communication portion **112** communicates with the first lens communication portion **212** through the first adapter communication portion **312**, thereby performing, for example, processes of acquiring a table for lens control, setting permission of the hotline communication, setting the vibration-proof control start, and the like (steps **S1170**, **S2170**, and **S3170**).

Then, the camera control section **110** determines that the CPU lens is mounted, performs activation, and ends the process.

As described above, the adapter control section **310** performs activation in response to the supply of the voltage of the control system power supply V_{cc1} from the camera body **100**, and requests the camera body **100** to start supplying the voltage of the power-system power supply PWR . Further, the adapter control section **310** generates the voltage of the lens control system power supply V_c to be supplied to the interchangeable lens **200** from the power-system power supply PWR , in response to the supply of the voltage of the power-system power supply PWR from the camera body **100**. Furthermore, the adapter control section **310** supplies the voltage of the lens control system power supply V_c to the interchangeable lens **200**. Thereby, when the request to supply the voltage of the lens driving system power supply V_p is issued from the interchangeable lens **200**, the adapter control section generates the voltage of the lens driving system power supply V_p from the power-system power supply PWR , and supplies it to the interchangeable lens **200**.

Thereby, the adapter control section **310** is able to generate a voltage to be supplied to the interchangeable lens **200** on the basis of the voltage supplied from the camera body **100**, and appropriately control the supply start timing of the voltage of each power supply system.

Further, the adapter control section **310** determines the specification of the interchangeable lens **200** in the lens activation process, and is thereby able to supply a voltage to the interchangeable lens **200** on the basis of the determined specification. Further, the adapter control section **310** is able to stop the supply of the voltage to the interchangeable lens in the case where it is not necessary to supply a voltage to the interchangeable lens, on the basis of the determined specification of the interchangeable lens.

Details of Initialization Process in Lens Activation Process

Next, the process of initialization (step S130) in the lens activation process described with reference to FIG. 12 will be described in detail with reference to FIG. 13.

FIG. 13 is a diagram illustrating an example of the process sequence of the initialization process in the lens activation process. In FIG. 13, the processes corresponding to the respective processes of FIG. 12 will be represented by the same reference numerals and signs, and description thereof will be omitted.

The first camera communication portion 112 supplies the voltage of the power-system power supply PWR (step S1130), and subsequently transmits an initialization execution command as an initialization request to the first adapter communication portion 312 (step S1140). Thereafter, the first camera communication portion 112 repeatedly transmits an initialization completion confirmation command (steps S1145a, S1145b, S1145c, . . .), which is to detect completion of the process of initialization performed by the adapter 300, to the first adapter communication portion 312, and waits for the response of "initialization completion" from the first adapter communication portion 312 (step S1145). For example, the first camera communication portion 112 repeatedly transmits the initialization completion confirmation command to the first adapter communication portion 312 in the period T_s during a period of time until the response of "initialization completion" is acquired (or a predetermined period of time to perform time-out process). The period T_s of the communication of the initialization completion confirmation command is a time interval which is shorter than that of the period T_m of the routine data communication described with reference to FIG. 9. That is, the first adapter communication portion 312 executes a process of transmitting information (a process of responding to the initialization completion confirmation command), which indicates whether or not the initialization process is complete, on the camera control section 110 with a time interval shorter than that of the period T_m of the routine data communication. That is, the detection as to whether or not the initialization process is complete is performed with the time interval, which is shorter than that of the period T_m of the routine data communication, by the camera control section 110. As described above, by shortening the interval (period) for detecting completion of the initialization, as a result, it is possible to start the process which is performed after completion of the initialization at an early stage. Thus, it is possible to shorten the time necessary for the rising edge of the apparatus and system.

The first adapter communication portion 312 responds with an initialization state of "initialization in progress" as information which indicates the state where the initialization is not complete, to the initialization completion confirmation command which is repeatedly transmitted from the first camera communication portion 112 until the initialization is complete.

In addition, in the drawing, the first camera communication portion 112 acquires the response of "initialization completion" on the basis of the result of the response to the initialization completion confirmation command of step S1145n.

Thereby, the first camera communication portion 112 is able to detect whether or not the initialization process of the adapter 300 is complete in a period with the time interval shorter than that of the period of the routine data communication.

When the first adapter communication portion 312 receives the initialization execution command, the adapter control section 310 executes a process of initializing the respective sections provided in the adapter 300 (step S2130).

The process includes, for example, a process of resetting a memory in the adapter control section 310 of the adapter 300. Next, the adapter control section 310 controls the diaphragm interlocking lever driving section 330 such that it moves the diaphragm interlocking lever 350 to the retractable position (step S2135).

Subsequently, the adapter control section 310 advances the process to the lens mounting determination process (step S140). In the lens mounting determination process, the adapter control section 310 firstly causes the adapter power supply section 320 to generate the voltage of the lens control system power supply V_c and supply (feed) the voltage to the interchangeable lens 200 (step S2142). Next, in response to the supply (power feeding) of the voltage of the lens control system power supply V_c to the interchangeable lens 200, the first adapter communication portion 312 performs mounting determination by detecting whether or not the interchangeable lens 200 is mounted, on the basis of whether or not there is a response from the first lens communication portion 212 of the interchangeable lens 200 (steps S2144 and S3144).

For example, if there is no response from the first lens communication portion 212, it is determined that the interchangeable lens 200 is not mounted on the adapter 300 (lens unmounted state).

In contrast, if there is a response from the first lens communication portion 212, the first adapter communication portion 312 determines that the interchangeable lens 200 is mounted on the adapter 300, and performs communication for information exchange between the adapter 300 and the interchangeable lens 200 (steps S2146 and S3146).

In the communication for information exchange between the adapter 300 and the interchangeable lens 200, for example, the first adapter communication portion 312 and the first lens communication portion 212 identify each other by communicating identification commands with each other, and check whether or not it is possible to perform communication normally. Further, the first adapter communication portion 312 acquires lens information which is for identifying the type of the interchangeable lens 200, information which indicates a state of the lens switch (for example, a switch for switching between AF and MF (Manual Focus)) provided in the interchangeable lens 200, and the like.

Further, the first lens communication portion 212 transmits the lens driving system power supply V_p request signal to the first adapter communication portion 312. Then, the adapter control section 310 advances the process to the lens initialization process (step S150).

In the lens initialization process (step S150), first, when the first adapter communication portion 312 receives the lens driving system power supply V_p request signal, the adapter control section 310 causes the adapter power supply section 320 to generate the voltage of the lens driving system power supply V_p and supply (feed) the voltage to the interchangeable lens 200 (step S2152). Next, the first adapter communication portion 312 transmits the lens initialization execution command, which is to request execution of the lens initialization process, to the first lens communication portion 212 (step S2154). When the first lens communication portion 212 receives the lens initialization execution command, the lens control section 210 executes the lens initialization process in response to the lens initialization execution command from the first adapter communication portion 312 (step S3154).

The lens initialization process includes processes of initializing the lens control section 210, the AF control (control of the focus lens 222), the vibration-proof control (control of the VR lens 223), and the like. In addition, in the case of the electromagnetic-diaphragm-type CPU lens, in the lens initialization process, the process of initialization of the electromagnetic diaphragm control is also executed.

In addition, after the lens initialization process is complete, the first adapter communication portion 312 starts the lens routine communication with the first lens communication portion 212 (step S2156).

Next, the adapter control section 310 performs initialization driving of the diaphragm interlocking lever 350 (step S2158). For example, the adapter control section 310 controls the diaphragm interlocking lever driving section 330, thereby executing the process of moving the position of the diaphragm interlocking lever 350 to the prescribed position which is determined in advance. In addition, the adapter control section 310 moves, in accordance with the control condition, the position of the diaphragm interlocking lever 350 to, for example, a retractable position, an open position, or a position stored in a storage portion.

Subsequently, in response to completion of execution of the initialization driving of the diaphragm interlocking lever 350 in step S2158, the first adapter communication portion 312 responds with "initialization completion" as the initialization state to the initialization completion confirmation command (step S1145n) issued from the first camera communication portion 112 (step S2159). The first camera communication portion 112 acquires the response to "initialization completion" on the basis of the result of the response to the initialization completion confirmation command of step S1145n (step S1150), and ends the initialization.

As described above, in response to the initialization execution command from the first camera communication portion 112, the adapter control section 310 is able to initialize the respective sections provided in the adapter 300, determine whether the lens is mounted on the adapter 300, and initialize the state of the interchangeable lens 200 mounted on the adapter 300. Further, the first camera communication portion 112 is able to detect whether or not the initialization process of the adapter 300 is complete in the period (for example 10 msec) with the time interval shorter than that of the period (the period T_m ; for example, 16 msec) of the routine data communication. Accordingly, the camera control section 110 is able to appropriately and promptly detect whether or not the initialization process is complete.

EXAMPLE OF INITIALIZATION COMPLETION RESPONSE DATA

In addition, as described with reference to FIG. 13, the adapter control section 310 requests the interchangeable lens 200 to execute the process of initializing the status of the interchangeable lens 200, and thereafter performs the initialization driving (initialization process) of the diaphragm interlocking lever 350. Further, after the lens initialization process of initializing the status of the interchangeable lens 200 is complete, the adapter control section 310 completes the process of initialization which is performed in response to the initialization execution command transmitted by the first camera communication portion 112. That is, before the adapter control section 310 completes the process of initialization (the process including shift of the diaphragm inter-

locking lever 350 to the retractable position), the lens initialization process is complete.

Thereby, after the lens initialization process is complete, the adapter control section 310 is able to respond with the initialization completion to the first camera communication portion 112.

FIGS. 14A and 14B are a diagram illustrating an example of a data structure of the initialization state as a response to the initialization completion confirmation command in the command data communication.

For example, in the command data communication, the initialization state data as a response to the initialization completion confirmation command is two-byte data. In addition, among the two-byte data, the lower one byte D10 (bits 0 to 7) is command data which indicates the data as a response to the initialization completion confirmation command. For example, as shown in the drawing, there is provided an example in which the data of "15H" (15H in hexadecimal) as the command data for identifying the data as a response to the initialization completion confirmation command is set as the lower one byte D10. Further, the upper one byte D10 (bits 8 to 15) is initialization state data as a response. In bit 8 of the upper one byte D20, a flag (diaphragm interlocking lever initialization completion information), which indicates whether or not the initialization process of the diaphragm interlocking lever 350 in the adapter 300 is complete, is set. Further, in bit 9, a flag (lens initialization completion information), which indicates whether or not the initialization process of the focus lens 222 in the interchangeable lens 200 is complete, is set. Furthermore, in bit 10, a flag (lens initialization completion information), which indicates whether or not the initialization process of the VR lens 223 in the interchangeable lens 200 is complete, is set. In addition, bits 11 to 15 are undefined, and correspond to an invalid data area.

FIG. 14A shows initialization state data as a response to the initialization completion confirmation command which is set in the first adapter communication portion 312, as the first camera communication portion 112 transmits the initialization execution command as the initialization request to the first adapter communication portion 312 (data set in step S2130 of FIG. 13). That is, the first adapter communication portion 312 responds with data, which is shown in FIG. 14A, as data, which indicates the initialization state where "the initialization is in progress", to the initialization completion confirmation command.

In addition, with the timing (step S2130 of FIG. 13), all initialization processes of the initialization process of the focus lens 222, the initialization process of the VR lens 223, and the initialization process of the diaphragm interlocking lever 350 are not complete (the process of initializing the status of the interchangeable lens 200 is not complete). However, the first adapter communication portion 312 sets the flag "0", which indicates that the initialization process is complete, in bits 9 and 10 which indicates the initialization state of the interchangeable lens 200 side. On the other hand, in bit 8 which indicates data of the initialization state of the diaphragm interlocking lever 350, the flag "1", which indicates that the initialization process is not complete, is set. That is, regardless of the initialization process state (the progress state of the initialization process) of the interchangeable lens 200 side, the adapter 300 invariably sets the completion flag "0", which indicates the state where the initialization ends, in bits 9 and 10. As described above, by setting the initialization flags within the adapter 300, even when an interchangeable lens which is a type incapable of outputting the flag indicating the initialization completion to

the adapter 300 is mounted on the camera body 100 with the adapter 300 interposed therebetween, there is an advantage in that it is possible to extending the types of compatible interchangeable lenses without stopping an operation (camera system) at the stage of the initialization process sequence mentioned above.

At the time point the lens initialization process (step S150 of FIG. 13) is complete, the initialization process of the diaphragm interlocking lever 350 on the adapter 300 side is not yet complete.

FIG. 14B shows initialization state data as a response to the initialization completion confirmation command which is set when the initialization process of the initialization driving (step S2158 of FIG. 13) of the diaphragm interlocking lever 350 is complete. At this time point (step S2158 of FIG. 13), normally, the lens-side initialization process (step S150 of FIG. 13) is complete.

When the initialization process of the diaphragm interlocking lever 350 is complete, the first adapter communication portion 312 sets the flag "0", which indicates that the initialization process is complete, in bit 8 of the initialization state data. Thereby, the flag "0", which indicates that the initialization process is complete, is set in each of all the bits 8 to 10 of the initialization state data. That is, the first adapter communication portion 312 responds with data shown in FIG. 14B as the initialization state data, which indicates "initialization completion", to the initialization completion confirmation command.

That is, the initialization completion information which indicates whether or not the initialization process is complete, includes: the lens initialization completion information (bits 9 and 10 in FIGS. 14A and 14B) which invariably indicates whether or not the lens initialization process (the process of initializing the status of the interchangeable lens 200) is complete; and the information (diaphragm interlocking lever initialization completion information) (bit 8 of FIGS. 14A and 14B) which indicates whether or not the initialization process (diaphragm interlocking lever initialization process) of the diaphragm interlocking lever 350 is complete.

Then, the first adapter communication portion 312 instructs the interchangeable lens 200 to perform initialization, and sets the value of the lens initialization completion information to a value indicating that initialization is complete, and in response to completion of the diaphragm interlocking lever initialization process, the values of the diaphragm interlocking lever initialization completion information is set to a value indicating that initialization is complete.

That is, the adapter control section 310 sets the value of the lens initialization completion information to the value indicating that initialization is complete, regardless of the progress state of the process of initializing the status of the interchangeable lens 200. Further, in response to completion of the diaphragm interlocking lever initialization process, the adapter control section 310 sets the value of the diaphragm interlocking lever initialization completion information to the value indicating that initialization is complete, and transmits the initialization completion information to the camera control section 110.

In addition, in accordance with the timing (detection timing of the initialization process) of the initialization completion confirmation command of the camera control section 110, the adapter control section 310 responds with (transmits) the initialization completion information to the camera control section 110.

As described above, the adapter control section 310 updates the information (flag), which indicates whether or not the initialization is complete, at the completion timing of the initialization process of the diaphragm interlocking lever 350, and responds with the information to the camera control section 110.

Accordingly, at the timing at which the initialization process of the diaphragm interlocking lever 350 is complete, the adapter control section 310 responds with the initialization completion state, which indicates that entire initialization including the initialization of the interchangeable lens 200 side is complete, to the camera control section 110.

Initialization Performed when Standard Compatible Lens is Mounted

In addition, the embodiment described the initialization process in the case where the adapter 300 is connected to the camera body 100, but the present invention is not limited to this. For example, in the initialization process in a case where an accessory other than the adapter 300 is connected to the camera body 100, the camera body 100 may detect whether or not the initialization process of the accessory is complete, in the same manner as described above. For example, in the accessory detachably attached to the camera body 100, an accessory control section provided in the accessory may be controlled by periodic communication (routine periodic communication) with the camera control section 110 provided in the camera body 100. In this case, in the initialization process, by executing the initialization process in response to the control instruction from the camera control section 110, the accessory control section may execute a process in which whether or not the initialization process is complete is detected by the camera control section 110 with a time interval shorter than the period of the periodic communication.

As an example, a case where the accessory detachably attached to the camera body 100 is a standard compatible lens will be described below.

The standard compatible lens (for example, the interchangeable lens 200A) may be directly connected to the camera body 100 without the adapter 300. In this case, in the lens routine process, for example, the first lens communication portion 212A (the first lens communication portion 212A is provided in the lens control section 210A corresponding to the above-mentioned accessory control section) performs the routine data communication with the first camera communication portion 112 in the period T_m (performs the routine data communication in the period T_m which is the same as that of the routine data communication between the first adapter communication portion 312 and the first camera communication portion 112 shown in FIG. 9).

Further, in the lens activation process, the first camera communication portion 112 transmits the initialization execution command to the first lens communication portion 212A similarly to the initialization request process of step S1140 shown in FIG. 13. That is, the first camera communication portion 112 transmits the initialization execution command to the first lens communication portion 212A instead of the first adapter communication portion 312. Thereafter, similarly to the initialization completion confirmation process of step S1145, the first camera communication portion 112 repeatedly transmits the initialization completion confirmation command to the first lens communication portion 212A in the period T_s , and waits for the response of "initialization completion" from the first lens communication portion 212A.

Further, when the first lens communication portion 212A receives the initialization execution command, the lens

control section 210A executes the lens initialization process of the interchangeable lens 200A. Then, as the lens initialization process is complete by the lens control section 210A, the first lens communication portion 212A responds with “initialization completion”.

As described above, the process from the initialization request to the initialization completion confirmation in the camera control section 110 is performed in the same manner in both cases where the interchangeable lens 200 is connected to the camera body 100 through the adapter 300 and the interchangeable lens 200A is directly connected thereto.

That is, the first lens communication portion 212A executes a process of transmitting information (a process of responding to the initialization completion confirmation command), which indicates whether or not the initialization process is complete, on the camera control section 110 with a time interval shorter than that of the period T_m of the routine data communication. That is, even when the interchangeable lens 200A is directly connected to the camera body 100, the detection as to whether or not the initialization process is complete is performed with the time interval, which is shorter than that of the period T_m of the routine data communication, by the camera control section 110.

Thereby, the first camera communication portion 112 is able to detect whether or not the initialization process of the interchangeable lens 200A is complete in the period with the time interval shorter than that of the period of the routine data communication. Thereby, the camera control section 110 is able to appropriately and promptly detect whether or not the initialization process is complete.

Power Cut-Off Process and Low Power Consumption Process

Next, a power cut-off process and a low power consumption process will be described.

Here, the low power consumption process is a process of shifting an operation state (operation mode) of the camera body 100 to an operation mode (second operation mode/low power consumption mode/sleep mode) for reducing power consumption and incapable of performing the photography process, as compared with an operation mode (first operation mode) capable of performing the photography process.

Here, in the following technique, the low power consumption process is referred to as a sleep process, and the operation state (operation mode), which is switched by the sleep process, is referred to as a sleep mode.

For example, in response to the interrupt request issued by power off of the camera body 100, a power cut-off process is executed. Further, for example in a case where no operation continues during a predetermined time or more, the sleep process is executed.

Further, the power cut-off process and the sleep process include a lens shutdown process of stopping (shutting down) functions of the adapter 300 and the interchangeable lens 200 and stopping (cutting off) the supply of the voltage of the power-system power supply PWR from the camera body 100. That is, the power cut-off process and the sleep process are processes of stopping supplying a voltage to the interchangeable lens 200 and stopping (cutting off) the supply of the voltage of the power-system power supply PWR.

Further, in the case where the operation mode of the camera body 100 is shifted to the sleep mode, the supply of the voltage of the power-system power supply PWR from the camera body 100 is stopped, and the supply of the voltage of the control system power supply V_{cc1} is continued. For example, when the operation mode of the camera body 100 is shifted to the sleep mode, the camera body 100 continues the supply of the voltage of the control system

power supply V_{cc1} during a predetermined time period. Here, the predetermined time period is, for example, a time period which depends on the time to return to the operation mode capable of performing the photography process by detecting the operation of the camera body 100, a time period which depends on the time to advance to the power cut-off process of the camera body 100 when the non-operation state is further continued, or the like.

Further, the operation mode of the camera body 100 may be shifted to the sleep mode. In this case, the instruction signal (shutdown execution command), which indicates the instruction to shift to the power cut-off state or the sleep mode, is transmitted from the camera control section 110 to the adapter control section 310. Then, in response to receiving the corresponding signal, the adapter control section 310 executes the lens shutdown process of stopping the power feeding to the interchangeable lens 200.

Next, when the lens shutdown process ends, the adapter control section 310 transmits a permission signal (a response of shutdown readiness), which indicates a permission to shift to the power cut-off state or the sleep mode, to the camera body 100. Subsequently, in response to the permission signal transmitted from the adapter control section 310, the supply of the voltage of the power-system power supply PWR from the camera body 100 is stopped.

FIG. 15 is a diagram illustrating an example of a process sequence of the power cut-off process and the sleep process.

Referring to the drawing, the power cut-off process and the sleep process of the camera system 1 will be described.

The power cut-off process and the sleep process are performed in the order of lens function termination (step S410), shutdown (step S420), and shift to the sleep mode (step S430). In addition, in the power cut-off process and the sleep process, the communication, which is performed between the camera body 100 and the interchangeable lens 200 through the adapter 300, is the command data communication.

When the power cut-off process or the sleep process is started, first, the process of the lens function termination (step S410) is performed.

The first camera communication portion 112 communicates with the first lens communication portion 212 through the first adapter communication portion 312, thereby stopping the function operation of the interchangeable lens 200 (steps S1210, S2210, and S3210). Thereby, the lens control section 210 stops the function operation of the interchangeable lens 200. For example, through the process of the lens function termination, the process of termination of the vibration-proof control of the interchangeable lens 200, inhibition of the hotline communication, or the like.

Next, the process of shutdown (step S420) is performed.

The first camera communication portion 112 transmits the shutdown execution command as a shutdown request to the first adapter communication portion 312 (step S1220). Thereafter, the first camera communication portion 112 repeatedly transmits the shutdown completion confirmation command, and waits for the response of the shutdown readiness from the first adapter communication portion 312.

When the first adapter communication portion 312 receives the shutdown execution command, the adapter control section 310 starts the lens shutdown process. First, the first adapter communication portion 312 transmits a command, which is to give an instruction not to permit feeding the voltage of the lens driving system power supply V_p , to the first lens communication portion 212. As the first lens communication portion 212 receives the command, the lens control section 210 stops supplying (feeding) the volt-

age of the lens driving system power supply V_p in the interchangeable lens **200** (step **S3220**). Next, the first adapter communication portion **312** stops the lens routine communication with the first lens communication portion **212**. Then, the adapter control section **310** stops the supply of the voltage of the lens driving system power supply V_p from the adapter power supply section **320**, and subsequently stops the supply of the lens control system power supply V_c (step **S2220**).

Next, the adapter control section **310** moves the diaphragm interlocking lever **350** to the retractable position (step **S2230**), and executes the process of shutting down the respective sections provided in the adapter **300** (step **S2235**). Subsequently, when the shutdown process is complete, in response to the shutdown completion confirmation command received from the first camera communication portion **112**, the first adapter communication portion **312** responds with "shutdown readiness" as information which indicates that the shutdown process of the adapter **300** (the adapter **300** and the interchangeable lens **200**) is complete, to the first camera communication portion **112**. Further, the first adapter communication portion **312** responds with presence or absence of the sleep process request to the first camera communication portion **112** (step **S2240**).

As a result of the response to the shutdown completion confirmation command, the first camera communication portion **112** acquires the response of "shutdown readiness" from the first adapter communication portion **312** (step **S1240**).

When the first adapter communication portion **312** acquires the response of shutdown readiness, the camera control section **110** controls the switch **125** such that it attains the cut-off state, thereby stopping the supply of the voltage of the power-system power supply PWR (step **S1250**).

Next, the camera control section **110** determines whether or not the request to shift to the sleep mode is present on the basis of the result of the response to the shutdown completion confirmation command (step **S1255**). In step **S1255**, if it is determined that the request to shift to the sleep mode is absent, the camera control section **110** controls the camera power supply section **120** such that it stops the supply of the voltage of the control system power supply V_{cc1} (step **S1270**).

In contrast, in step **S1255**, if it is determined that the request to shift to the sleep mode is present, the process of shifting to the sleep mode (step **S430**) is performed. First, the first camera communication portion **112** transmits an instruction to shift to the sleep mode to the first adapter communication portion **312**. Thereby, the adapter control section **310** shifts to the sleep mode. For example, the first adapter communication portion **312** controls the signal RDY such that it is set to the H (high) level before the start of the process of shifting to the sleep mode, and controls the signal RDY such that it is set to the L (low) level after the process of shifting to the sleep mode is complete. The first camera communication portion **112** detects that the process of shifting to the sleep mode of the adapter **300** is complete by detecting the falling edge of the signal level of the signal RDY, and changes the state of the supply of the voltage of the control system power supply V_{cc1} to a state for feeding a small voltage (steps **S1260** and **S2260**).

Thereby, the shift to the power cut-off state or the sleep mode is performed.

As described above, when the camera body **100** is shifted to the sleep mode, the camera control section **110** stops supplying the voltage of the power-system power supply

PWR to the adapter **300**, and continues supplying the voltage of the control system power supply V_{cc1} . That is, when the adapter **300** is shifted to the sleep mode, the supply of the voltage of the power-system power supply PWR from the camera body **100** is stopped, and the supply of the voltage of the control system power supply V_{cc1} is continued.

Thereby, in the sleep mode, it is possible to reduce power consumption. Further, the supply of the voltage of the control system power supply V_{cc1} is continued, and thus the process of the adapter control section **310** is not completely stopped (the adapter control section **310** is operated with the minimum electric power necessary for the return process). Hence, when returning (performing activation) from the sleep mode to a stationary state, the adapter control section **310** is able to promptly performs the return (activation) as compared with the case where the process is completely stopped.

Process at Temporary Blackout of Power Supply

For the power-system power supply PWR, the lens driving system power supply V_p , and the lens control system power supply V_c , predetermined voltage ranges are prescribed respectively.

The V_c -voltage detection portion **325**, V_p -voltage detection portion **326**, and PWR voltage detection portion **327** detect the voltages of the power-system power supply PWR, the lens driving system power supply V_p , and the lens control system power supply V_c , and supply the detection results to the adapter control section **310**. When any of the detected voltages of the power-system power supply PWR, the lens driving system power supply V_p , and the lens control system power supply V_c are lower than the predetermined voltage ranges respectively determined for them, the adapter control section **310** supplies (notifies) the detection result to the camera body **100**.

For example, the adapter control section **310** executes the lens initialization process in order to initialize the interchangeable lens **200** (state) when any voltage (voltage value) of the voltage (voltage value) of the power-system power supply PWR fed from the camera body **100**, the voltage (voltage value) of the lens driving system power supply V_p fed from the adapter power supply section **320** to the interchangeable lens **200**, and the voltage (voltage value) of the lens control system power supply V_c fed from the adapter power supply section **320** to the interchangeable lens **200** are lower than the predetermined voltage ranges which are respectively determined for them.

Specifically, the initialization request signal, which instructs the camera control section **110** provided in the camera body **100** of the adapter control section **310** to execute the initialization process including the lens initialization process, is transmitted from the first adapter communication portion **312** to the first camera communication portion **112**, and is supplied (notified) to the camera body **100**. Further, when any of the detected voltages of the power-system power supply PWR, the lens driving system power supply V_p , and the lens control system power supply V_c are lower than the predetermined voltage ranges respectively determined for them, the adapter control section **310** stops supplying the voltages of the lens driving system power supply V_p and the lens control system power supply V_c , and transmits the initialization request signal to the camera body **100**.

The initialization process is a process of stopping the supply of the voltage of the power-system power supply PWR once in response to the initialization request signal and then restarting the supply thereof. Further, the initialization

process is a process of stopping the supply of the voltage of the control system power supply Vcc1 once in response to the initialization request signal and then restarting the supply thereof.

In addition, the adapter control section 310 starts supplying the voltages of the lens driving system power supply Vp and the lens control system power supply Vc in response to the initialization process performed by the camera body 100. That is, the adapter control section 310 initializes the lens control section 210 in response to the initialization process performed by the camera body 100.

That is, when detecting a decrease in the power supply voltage, first, the adapter control section 310 stops supplying a voltage to the interchangeable lens 200. Next, the adapter control section 310 transmits the initialization request signal to the camera control section 110, and executes the process of stopping the supply of the voltage of the power supply from the camera body 100 once and thereafter restarting the supply thereof. Thereby, by executing the lens activation process again, the process of initialization is performed, and thus the adapter control section 310 supplies a voltage to the interchangeable lens 200.

Accordingly, when any of the detected voltages of the power-system power supply PWR, the lens driving system power supply Vp, and the lens control system power supply Vc are lower than the predetermined voltage ranges respectively determined for them, the adapter control section 310 is able to initialize the adapter 300 and the interchangeable lens 200. Hence, it is possible to prevent a problem that the operation of the interchangeable lens 200 side is continued with a voltage fed unstably.

In the determination, relative merits (degrees of importance, priorities) may be given to the voltage values of the power-system power supply PWR, the lens driving system power supply Vp, and the lens control system power supply Vc. From the viewpoint of maintenance of stable power feeding, first it is highly necessary for a value of the voltage, which is fed (fed to the adapter power supply section 320) in order to generate a supply voltage, to be within a predetermined range. Otherwise, there is a concern about fluctuation even in the voltage values subsequently generated. Accordingly, first it is determined whether or not there is an abnormality in the voltage value of the power-system power supply PWR is correct. The second important thing is that, in order for the interchangeable lens 200 side to perform correct control, it is necessary for the lens control section 210 to perform stable driving. Hence, it is determined whether or not there is an abnormality in the lens control system power supply Vc which feeds a voltage to the lens control section 210. That is, in priority order of the power-system power supply PWR, the lens control system power supply Vc, and the lens driving system power supply Vp, determination as to whether or not there is an abnormality in each voltage value thereof may be performed. As described above, by using relative merits in the determination, for example, even when there is an abnormality in the voltage value of the lens driving system power supply Vp, if the voltage value of the lens control system power supply Vc is normal and the lens control section 210 is normally operated (may normally communicate with the adapter control section 310), without performing the reset process (initialization process) on the interchangeable lens 200 side, it may be possible to recover the voltage value through another error processing (re-driving/retry operation of the lens-side driving element). Thereby, it is possible to prevent the hasty (unnecessary) initialization process from being performed.

Next, referring to FIG. 16, as an example of a process which is performed when there is a decrease in the power supply voltage, the process at the time of temporary blackout of power supply will be described.

FIG. 16 is a diagram illustrating an example of a process sequence at the time of temporary blackout of power supply.

In the lens suspension state, the first camera communication portion 112 and the first adapter communication portion 312 perform the routine data communication in the period Tm (step S1310, S1312, S1314). The adapter power control portion 311 of the adapter control section 310 detects a state where there are temporary decreases in the voltages of the lens control system power supply Vc, the lens driving system power supply Vp, and the power-system power supply PWR, on the basis of the detection results of the Vc-voltage detection portion 325, the Vp-voltage detection portion 326, and the PWR voltage detection portion 327 (step S2310). FIG. 16 shows an exemplary case where the voltages of the lens control system power supply Vc, the lens driving system power supply Vp, and the power-system power supply PWR are temporarily decreased and then recovered (a case where there is a temporary blackout of the power supply).

The adapter power control portion 311 executes a process of cutting off the power supply which supplies a voltage to the interchangeable lens 200, in response to detecting the state where the voltage is temporarily decreased (the state where there is a temporary blackout of the power supply). For example, the adapter power control portion 311 causes the adapter power supply section 320 to perform control, which is to stop supplying voltages in order of the lens driving system power supply Vp and the lens control system power supply Vc, as the power cut-off process (step S2320).

Next, after the adapter power supply section 320 stops the supply of the voltages of the lens driving system power supply Vp and the lens control system power supply Vc, the first adapter communication portion 312 responds with information which indicates that the temporary blackout of the power supply is detected, through the routine data communication (step S1314) to the first camera communication portion 112 (step S2330). For example, the first adapter communication portion 312 transmits "an initialization request signal in detection of the temporary blackout of the power supply" (initialization request signal) as a signal, which indicates that the temporary blackout of the power supply is detected, to the first camera communication portion 112.

Subsequently, as the first camera communication portion 112 receives "the initialization request signal in the detection of the temporary blackout of the power supply", the camera control section 110 controls the switch 125 such that it is set in the cut-off state, thereby stopping the supply of the voltage of the power-system power supply PWR (step S1330). Further, after stopping the supply of the voltage of the power-system power supply PWR, the camera control section 110 controls the camera power supply section 120 such that it stops the supply of the voltage of the control system power supply Vcc1 (step S1340).

Subsequently, the camera control section 110 executes the lens activation process (step S100 of FIG. 8) so as to thereby feed a voltage and execute the process of initialization.

As described above, when there is a temporary blackout in the power supply supplied to the interchangeable lens 200, the adapter control section 310 detects that the temporary blackout occurs, stops the voltage supplied to the interchangeable lens and the voltage supplied from the camera body 100 once so as to thereby attain the power

cut-off state, and thereafter performs activation again so as to thereby execute the initialization process. Thereby, even when the temporary blackout of the power supply occurs, the adapter control section **310** initializes the adapter **300** and the interchangeable lens **200**, whereby it is possible to shift them to the normal operation state.

In the embodiment, the adapter power control portion **311** detects the state where there is a temporary decrease in the voltages of the lens control system power supply V_c , the lens driving system power supply V_p , and the power-system power supply PWR , on the basis of the detection results of the V_c -voltage detection portion **325**, the V_p -voltage detection portion **326**, and the PWR voltage detection portion **327**. In this case, the control portion cuts off the power supply which supplies a voltage to the interchangeable lens **200**, and thereby executes the initialization process. However, if it is determined that the voltage is decreased only in the detection result of the V_p -voltage detection portion **326** (if it is not determined that the voltage is decreased in the detection results of the V_c -voltage detection portion **325** and the PWR voltage detection portion **327**), it can be inferred that the communication itself between the adapter control section **310** and the lens control section **210** is normally performed. Therefore, the initialization process may not be executed in the interchangeable lens **200**.

The embodiment described in the example in which, as the detection result of the temporary blackout of the power supply is transmitted from the adapter control section **310** to the camera control section **110**, the camera control section **110** initializes the interchangeable lens **200** (the example in which the initialization is executed in a way that the adapter control section **310** receives an instruction from the camera control section **110**), but the present invention is not limited to this. For example, the adapter control section **310** may determine the necessity of the initialization execution by itself without receiving the instruction from the camera control section **110**, and then initialize the interchangeable lens **200**.

In addition, the present embodiment described the configuration in which all the above-mentioned three voltage detection portions **325** to **327** are provided. However, even with a configuration in which only one or two of the three voltage detection portions are provided, it is possible to obtain the same advantage as the present embodiment. In this case, the PWR voltage detection portion **327** is advantageous (prior) particularly as a portion which performs the voltage detection, and in order of priority in terms of the advantage, there are the V_c -voltage detection portion **325** and the V_p -voltage detection portion **326**.

The advantages according to the configurations are as described above.

As described above, according to the present embodiment, in the interchangeable-lens camera system, it is possible to cause various kinds of optical systems to appropriately function.

The present invention is not limited to the configuration shown in FIGS. **3**, **5**, and **6** in which the interchangeable lens **200** and the camera body **100** are connected to each other only through the adapter **300**.

For example, it may be possible to adopt a configuration in which the interchangeable lens **200** and the camera body **100** is connected to the interchangeable lens **200** through a conversion adapter (such as teleconverter) other than the adapter **300**.

Further, the adapter **300** of the embodiment is configured to not include an optical system, but may be configured to include an optical system.

The camera control section **110**, the lens control section **210**, or the adapter control section **310** in FIG. **1** may be implemented by hardware dedicated to each. Further, with a configuration using a memory and a CPU (Central Processing Unit), the respective functions of the above-mentioned camera control section **110**, lens control section **210**, and adapter control section **310** may be implemented by loading and executing programs for implementing the functions in the memory.

FIG. **17** is an example of a functional block diagram of the camera system. FIG. **17** is a functional block diagram illustrating the camera system **1** shown in FIG. **3**, focusing on the functions thereof. In FIG. **17**, the elements corresponding to the respective sections of FIG. **3** will be represented by the same reference signs and numerals, and the description thereof will be partially or entirely omitted. Further, in FIG. **17**, for the purpose of clarification of the drawing, the drawing of the configuration shown in FIG. **3** is partially omitted (but the configuration itself shown in FIG. **3** also includes the camera system **1** shown in FIG. **17**). Furthermore, a configuration not shown in FIG. **3** is additionally illustrated.

As shown in FIG. **17**, the camera system **1** includes a camera body **100**, an interchangeable lens **200**, and an adapter **300**. In the following description, first, configurations of the respective units (camera body **100**, interchangeable lens **200**, adapter **300**) constituting the camera system **1** will be described, and then respective control operations (flow of signals and the like) will be described.

Configuration of Interchangeable Lens

The interchangeable lens **200** has the lens-side mount **201** including the connection section **201s**, a zoom operation ring **202**, the lens control section (CPU) **210**, the optical system **220**, and the optical system driving section **230**. The optical system **220** has the diaphragm mechanism (diaphragm section, diaphragm) **251** including diaphragm blades.

The zoom operation ring **202** is a ring-shaped operation reception section which is rotatably disposed on the casing of the interchangeable lens **200** in order to change the focal length thereof. That is, when a user operates (rotates) the zoom operation ring **202**, the position of the zoom lens in the optical system **220** is shifted in the optical axis direction in accordance with the corresponding operation, and the focal length (zoom state) is changed in accordance with the corresponding shift.

The lens control section **210** stores an image plane shift coefficient k in a built-in nonvolatile memory. The "image plane shift coefficient" is unique information stored in each interchangeable lens **200**, and is well-known information as "information $k (=d/D)$ which indicates relationship between a shift amount D of focus lens **222** (FIG. **3**) and a shift amount (an amount of change in image forming position, an amount of image plane shift) d of the image forming position of a subject image displaced depending on the shift amount". The lens control section **210** stores the information of a plurality (k_1 to k_n) of the image plane shift coefficients k corresponding to the respective focal lengths.

In addition, the lens control section **210** transmits the image plane shift coefficients k to the adapter **300**. Further, the image plane shift coefficients k can also be transmitted to the camera body **100** through the adapter **300**. That is, in the interchangeable lens **200**, the lens control section **210** transmits the image plane shift coefficient k corresponding to the focal length, which is set at the time point of the transmission, to the adapter **300** and the camera body **100**.

Further, the image plane shift coefficient k is used in both cases where the camera body **100** generates the “focus driving command 1” (first command information) and the adapter **300** generates the “focus driving command 2” (second command information) in response to receiving the focus driving command 1.

A process of transmitting the information of the image plane shift coefficient k from the interchangeable lens **200** to the adapter **300** and, a process of receiving the information of the focus driving command 2 transmitted from the adapter **300** are performed through the above-mentioned “command data communication”. That is, the processes of transmitting and receiving the informations are performed through the first lens communication portion **212** (FIG. 3).

Furthermore, on the basis of the above-mentioned focus driving command 2 received from the adapter **300**, the lens control section **210** performs conversion calculation that converts the driving command value into an amount of driving (the number of rotations) of the AF driving portion **231** (such as a motor). The lens control section **210** drives the AF driving portion **231** on the basis of the amount of driving obtained by the conversion calculation.

The optical system driving section **230** has the AF driving portion **231** (FIG. 3) and the AF encoder **232** (FIG. 3).

As described above, the AF driving portion **231** drives the focus lens **222** (FIG. 3) backward or forward (a direction designated by the focus control command) in the optical axis direction, on the basis of the control (the amount of driving obtained by the conversion calculation) of the lens control section **210**.

The AF encoder **232** supplies the pulse signal to the lens control section **210** in accordance with the shift of the focus lens **222**. The AF encoder **232** has two different types in accordance with the specifications of the encoders provided in the AF encoder **232**. It is possible to discriminate which one of the two types is the type of the AF encoder **232**, on the basis of the lens type information (type information) of the interchangeable lens **200**.

For example, the AF encoder **232** of one type has a single-phase pulse encoder. When the AF encoder **232** has the single-phase pulse encoder, the AF encoder **232** outputs a single-phase pulse signal in accordance with the shift of the focus lens **222**. The pulse signal is information that indicates the shift amount (positional information) of the focus lens.

However, it is difficult to detect the shift direction of the focus lens **222** through the signal which is output from the single-phase pulse encoder.

The AF encoder **232** of the other type has a biphasic pulse encoder. When the AF encoder **232** has a biphasic pulse encoder, the AF encoder **232** outputs a biphasic pulse signal, of which phases are deviated by 90 degrees from each other, in accordance with the shift of the focus lens **222**. The biphasic pulse signal is information that indicates the shift amount and the shift direction (in other words, positional information of the focus lens **222**) of the focus lens.

As described above, the pulse signal (single-phase pulse signal or biphasic pulse signal), which is generated by the AF encoder **232**, is transferred to the adapter **300** through the second lens communication portion **213** (FIG. 3) by means of the hotline communication of the data communication system D2L (FIG. 3).

Configuration of Adapter

The adapter **300** has the first mount **301** including the connection section **301s**, the second mount **302** including

the connection section **302s**, the adapter control section (CPU) **310**, and the diaphragm interlocking lever driving section **330**.

The adapter control section (CPU) **310** has the first adapter communication portion **312** (FIG. 3), the second adapter communication portion **313** (FIG. 3), and the diaphragm control portion **314** (FIG. 3).

As described above, the first adapter communication portion **312** performs command data communication based on the communication (first communication standard) with the first camera communication portion **112** of the camera body **100** and the communication (second communication standard) with the first lens communication portion **212** of the interchangeable lens **200**. Through the command data communication, the first adapter communication portion **312** acquires the information of the image plane shift coefficient, which is defined by the above-mentioned second communication standard, from the interchangeable lens **200**. The information of the acquired image plane shift coefficient is stored in the nonvolatile memory in the adapter control section **310**. In addition, the first adapter communication portion **312** executes a process of converting the information of the image plane shift coefficient into information (state) appropriate for the above-mentioned first communication standard, and transmits the information to the first camera communication portion **112**. The conversion process is performed by using a prescribed conversion equation, which is determined in the adapter control section **310** in advance, in each communication target (each information to be communicated, in other words, each type of information to be communicated).

Further, the first adapter communication portion **312** receives the above-mentioned “focus driving command 1” (first command information) which is output from the first camera communication portion **112**, and converts the received focus driving command 1 into the “focus driving command 2” (second command information) appropriate for the above-mentioned second communication standard, and transmits the command to the first lens communication portion **212**.

Here, the process of converting the focus driving command 1 into the focus driving command 2 through the adapter control section **310** will be described in detail. The focus driving command 1 (first command information) includes information which indicates the driving direction of the focus lens **222** (whether the direction is a forward direction or a backward direction in the optical axis), and information of the amount of driving. The information of the amount of driving included in the focus driving command 1 is information of the number of pulses having the same meaning as the amount of driving for the AF driving portion (motor) of the interchangeable lens **200A** (FIG. 7) which has a lens mount having the same specification as the camera body **100**. On the other hand, the focus driving command 2, which can be accepted by the interchangeable lens **200** different from those of the camera body **100** in the mount specification and the communication standard, includes information which indicates the amount of driving (not the number of pulses) of the focus lens **222** in terms of the amount of image plane shift, and information of the driving direction. Hence, the adapter control section **310** performs a conversion process (conversion calculation) of converting “the number of pulses” represented by the focus driving command 1 into the “amount of image plane shift (amount of change in the image forming position)”, and a process of converting the information which indicates the above-mentioned driving direction, into information appropriate for the

second communication standard. Furthermore, when performing the conversion calculation for converting the number of pulses into the amount of image plane shift, the adapter control section **310** performs the calculation by using the information of the image plane shift coefficient stored in the nonvolatile memory in the adapter control section **310** as described above (information which has an information standard different from the information/communication standard of the image plane shift coefficient acquired from the interchangeable lens as described above, but has numerical value contents the same as transmitted to the camera body **100**).

On the other hand, as described above, the second adapter communication portion **313** performs the hotline communication based on the communication (third communication standard) with the second camera communication portion **113** of the camera body **100** and communication (fourth communication standard) with the second lens communication portion **213** of the interchangeable lens **200**. Through the hotline communication, the second adapter communication portion **313** receives the pulse signal (hotline pulse signal), which relates to the position of the focus lens **222** and is transmitted from the AF encoder **232**, through the data communication system D2L, which is defined by the above-mentioned fourth communication standard, from the interchangeable lens **200**. The second adapter communication portion **313** counts the number of pulses of the received hotline pulse signal. In addition, the second adapter communication portion **313** generates, on the basis of the received (counted) pulse signal, the positional information (which is serial communication data and is hereinafter referred to as "generation positional information") which indicates the position of the focus lens **222** (in other words, executes a process of converting the pulse signal into the position data). Here, the generated positional information is information appropriate for the third communication standard. Then, the generated generation positional information is transmitted to the camera body **100**.

Further, the process operation of the second adapter communication portion **313** is controlled in various ways by the control signal which is supplied from the first adapter communication portion **312**. Examples of the control signal, which is supplied from the first adapter communication portion **312**, include type information (hereinafter referred to as "lens type information") which indicates the type of the interchangeable lens **200**, information which indicates the operation mode of the camera body **100**, and information which indicates the operation state of the camera body **100**. In addition, the process operation of the second adapter communication portion **313**, which is controlled in response to the control signals, includes a process of counting the number of pulses of the hotline pulse signal and a process of changing the transmission state of the generation positional information.

For example, the second adapter communication portion **313** changes the process of counting the number of pulses of the hotline pulse signal, on the basis of the lens type information. Further, the second adapter communication portion **313** changes a transmission process of transmitting the generated generation positional information of the focus lens **222** to the camera body **100**, on the basis of the lens type information. As described above, by changing the process relating to the hotline communication in the adapter **300** in accordance with the lens type, even when the interchangeable lens for which the hotline communication is unnecessary is mounted on the adapter **300**, it is possible to prevent the adapter control section **310** to perform useless operations

(preparation operations such as an operation for counting the pulse signal to be described later, a conversion calculation operation for generating the positional information, an operation for transmitting the generated positional information, and various setting operations for performing the operations in the second adapter communication portion **313**). Hence, in the present embodiment, as described later in FIG. **21**, the process (steps **S2154b** and **S3154b**) relating to the hotline setting is performed after the acquisition operation (step **S2154a**) of the lens information is performed. In such a manner, considering whether or not the interchangeable lens should be subjected to the hotline setting and how the hotline setting should be performed if the lens should be subjected to the hotline setting, then it is possible to perform effective hotline setting appropriate for the mounted interchangeable lens.

On the other hand, the "process", which is changed on the basis of the information indicating the operation mode of the camera body **100** or the information indicating the operation state of the camera body **100**, includes: the process of counting the number of pulses of the hotline pulse signal; and the process of changing the transmission state of the generated positional information of the focus lens **222** (optical system).

In the second adapter communication portion **313**, the execution of the process of counting the number of pulses of the hotline pulse signal is controlled on the basis of the information indicating the operation mode of the camera body **100** or the information which indicates the operation state of the camera body **100**.

The second adapter communication portion **313** controls the transmission process of transmitting the generated positional information of the focus lens **222** (optical system) to the camera body **100**, on the basis of the information indicating the operation mode of the camera body **100** or the information which indicates the operation state of the camera body **100**.

The details of the respective processes, which are changed in accordance with the respective condition, will be described later.

Further, the first adapter communication portion **312** converts the lens type information which is acquired from the interchangeable lens **200**, into information (state) appropriate for the first communication standard, and subsequently transmits the information to the camera body **100**.

Furthermore, the first adapter communication portion **312** transmits the control information (control command), which is similar to the above-mentioned focus driving command **2** and performs the autofocus control (process), to the interchangeable lens **200**. The control command, which is sent to the interchangeable lens **200** by the first adapter communication portion **312**, includes a control command to execute or stop the autofocus process.

The first adapter communication portion **312** sends the control command to execute or stop the autofocus process to the interchangeable lens **200**. The first adapter communication portion **312** sends the control command to execute the autofocus process to the interchangeable lens **200**, as the operation mode of the camera body **100** is shifted to the state for performing the autofocus process (for example, as the release button **132** (refer to FIG. **1**) is pressed halfway).

Further, the control command, which is sent to the interchangeable lens **200** by the first adapter communication portion **312**, includes a control command to send or stop the positional information (single-phase or biphasic pulse signal) of the focus lens **222**. For example, when the operation mode of the camera body **100** is set in a manual focus mode, the

first adapter communication portion **312** outputs a control command, which is to inhibit the single-phase or biphasic pulse signal from the encoder **232** from being output to the adapter **300**, to the interchangeable lens **200**. When receiving the control command which indicates the inhibition, the lens control section **210** controls setting such that, for example, the line of the pulse signal of the encoder **232** is set at high impedance, thereby performing control such that the single-phase or biphasic pulse signal is not output.

Further, the first adapter communication portion **312** receives the lens information (to be described later), which is retained in the storage area (the nonvolatile memory of the lens control section **210**) of the interchangeable lens **200**, from the interchangeable lens **200**, and subsequently controls the second adapter communication portion **313** such that it transmits the positional information (to be described later), which is generated from the single-phase or biphasic pulse signal, to the camera body **100**. Furthermore, the first adapter communication portion **312** controls the second adapter communication portion **313** such that it transmits the position information which is generated from the single-phase or biphasic pulse signal, to the camera body **100** through the control from the camera body **100** (as described later in FIG. 22).

After sending the control command to execute the autofocus process to the interchangeable lens **200**, the first adapter communication portion **312** may perform control the second adapter communication portion **313** such that it executes the process of counting the pulse signal which is generated in accordance with the shift of the focus lens **222** caused by the autofocus process based on the control command.

Configuration of Camera Body

The camera body **100** has the camera body-side mount **101** including the connection section **101a**, a shutter **102**, a signal processing section **103**, an AF sensor **106**, the camera control section (CPU) **110**, an operation reception section **130**, an image processing section **140**, a display section **150**, a storage section **160**, a buffer memory section **170**, and a medium control section **180**.

The camera control section **110** controls the respective sections through the bus **199**. The bus **199** interconnects the respective sections, and transfers the image data, the control signals, and the like which are output from the respective section.

The shutter **102** allows rays of an object, which travel from the interchangeable lens **200** (optical system **200**) and reach the inside of the camera body **100** through the adapter **300**, to pass toward the signal processing section **103** side, or blocks the rays (prevents the rays from passing toward the signal processing section **103** side).

The signal processing section **103** has an imaging element **104** such as a CMOS and an AD conversion section **105**, and generates image data based on an optical image which is formed by the rays of the object. For example, the imaging element **104** converts an optical image, which is formed on the light receiving surface (image pickup surface), into an electric signal, and outputs the signal to the AD conversion section **105**. The AD conversion section **105** converts the electric signal, which is output from the imaging element **104**, into a digital signal, and outputs the signal to the buffer memory section **170**.

The AF sensor **106** is a sensor that detects a phase difference in an optical image which travels from the interchangeable lens **200** (optical system **200**) and reaches the inside of the camera body **100** through the adapter **300**. The optical image, which travels from the interchangeable lens

200 (optical system **200**) and reaches the inside of the camera body **100** through the adapter **300**, reach the AF sensor **106** through, for example, a half mirror (not shown in the drawing), whereby the phase difference thereof is detected. The detection value of the AF sensor **106** is used in in-focus determination of autofocus (a determination method based on the phase difference) performed by the camera control section **110**, and detection of the shift amount (amount of defocus) by which the focus lens **222** (AF lens) in the interchangeable lens **200** is shifted to a position at which the lens is in focus.

In addition, in FIG. 17, the AF sensor **106** and the imaging element **104** are separately formed, but the AF sensor **106** and the imaging element **104** may be formed as one body (for example, a form in which a part of the imaging element **104** is also used as the AF sensor **106**). For example, the AF sensor **106** may be configured so as to calculate a contrast evaluation value on the basis of the output (image signal) of the imaging element **104** and perform the well-known contrast AF which performs AF on the basis of the contrast evaluation value. Alternatively, it may be possible to adopt a configuration in which some pixels of the imaging element **104**, which is well known by for example Japanese Unexamined Patent Application Publication No. 2009-94881 and the like, perform the phase difference AF on the basis of the output of the phase difference detection element in the imaging element by using the imaging element in replacement of the phase difference detection element (instead of the image signal element). In a case where they are unified, the half mirror is not necessary.

The operation reception section **130** accepts an instruction operation from a user. The operation reception section **130** accepts: operation information (operation input) based on operations of the power button **131** (refer to FIG. 1), the release button **132** (refer to FIG. 1), and the rear-side operation section **133** (refer to FIG. 1, for example, an arrow key, and an OK key) disposed on the casing of the camera body **100**; and operation information based on operations performed by pressing icons, selection items, OK buttons, and the like on the operation screen displayed on the display section **150**. The operation reception section **130** outputs the accepted operation information to the camera control section **110**.

The release button **132** detects user's operation, and supplies a state signal, which indicates two states of the half-pressed state and the full-pressed state based on the detected operation, to the camera control section **110**.

The rear-side operation section **133** detects users operation, detects information for performing various settings through the detected operation, and supplies the detected information to the camera control section **110**.

The display section **150** is, for example, a liquid crystal display which is disposed on the rear side of the casing (the side opposite to the side to which the adapter **300** is attached in the perspective view of FIG. 1). The display section **150** displays various kinds of information (for example, the image data, the operation screen, and the like).

The storage section **160** is an area for storing various kinds of information (for example, reference information, and generation information).

Specifically, the storage section **160** stores selection condition and restriction condition of various modes, in-focus determination reference, an image capturing condition (for example, a program diagram), an image processing condition, a display control condition, image data, and the like.

The buffer memory section **170** is an area for temporarily storing the digital signal which is output from the signal processing section **103** (AD conversion section **105**).

The image processing section **140** generates image data from the digital signal which is stored in the buffer memory section **170**. The image data, which is generated by the image processing section **140**, includes not only the captured image data which is generated when the photography instruction is accepted through the operation reception section **130**, but also through-the-lens image data (hereinafter referred to as through-the-lens image) which can be continuously obtained in a state where the image capturing instruction is not received.

In addition, the captured image data, which is generated by the image processing section **140**, is stored in the storage section **160** or the storage medium **400**. Further, the through-the-lens image, which is generated by the image processing section **140**, is output to the display section **150**. Furthermore, the through-the-lens image, which is generated by the image processing section **140**, is used for the in-focus determination in autofocus (for example, the determination method based on the contrast method) performed by the camera control section **110**.

Further, the image processing section **140** executes image processing on the captured image data which is stored in the storage section **160**, on the basis of the image processing condition which is stored in the storage section **160**.

The medium control section **180** controls recording of information (for example, captured image data) in the removable storage medium **400** (for example, a memory card), reading of the information from the storage medium **400**, or deletion of the information which is stored in the storage medium **400**.

The storage medium **400** is an external storage portion which is detachably connected to the camera body **100**. The storage medium **400** stores, for example, photography image data.

In addition, although FIG. **17** describes the camera system **1** shown in FIG. **3**, the functions of the camera body **100** constituting the camera system **1B** shown in FIG. **5** and the functions of the camera body **100** constituting the camera system **1C** shown in FIG. **6** are the same as the functions of the camera body **100** shown in FIG. **17**.

However, since the interchangeable lens **200B** connected through the adapter **300** is a non-CPU lens, in the case of the configuration of the camera system **1B**, some (for example, the functions relating to autofocus) of the functions of the camera body **100** are restricted (inactivated).

Further, although FIG. **17** describes the case where the interchangeable lens **200** is connected to the camera body **100** through the adapter **300**, as shown in FIG. **7**, the standard compatible lens (for example, the interchangeable lens **200A**) may be directly connected to the camera body **100** without the adapter **300**.

The processes of the camera body **100** (camera control section **110**) may be different between a case of using the standard compatible lens (for example, the interchangeable lens **200A**), and a case of using the interchangeable lens (which is, for example, interchangeable lens **200**, **200B**, or **200C**, and is referred to as a non-standard compatible lens) which does not correspond to the standard compatible lens. For example, the processes of the camera body **100** (camera control section **110**) are different between the case of the camera system **1** (FIG. **3**), the camera system **113** (FIG. **5**) or the camera system **1C** (FIG. **6**) and the case of the camera system **1A** (FIG. **7**).

Further, the camera control section **110** detects the state signal of the release button **132** supplied from the operation reception section **130**, and detects the half-pressed state of the release button and the full-pressed state of the release button. For example, the half-pressed state of the release button indicates a state of preparation for image capturing, and the full-pressed state of the release button indicates image capturing start.

When detecting the half-pressed state of the release button on the basis of the state signal supplied from the release button **132**, the camera control section **110** changes the operation state (operation mode) to a state for performing the autofocus control (autofocus process).

At the time of performing the autofocus control, the camera control section **110** firstly receives the above-mentioned information of the image plane shift coefficient k (the image plane shift coefficient information converted into the information (state) appropriate for the first communication standard in the adapter **300**) from the interchangeable lens **200** through the adapter **300** by means of the above-mentioned hotline data communication (communication systems D1L and D1b). Then, the camera control section **110** generates the above-mentioned focus driving command **1** (first command information), on the basis of the out-of-focus amount (the defocus amount in the case of the phase difference AF, or the contrast value in the case of the contrast AF) which is calculated on the basis of the output from the above-mentioned AF sensor **106** (including the case where the sensor is formed integrally with the imaging element **104**). When generating the focus driving command **1** (the number of pulses, driving direction), the camera control section **110** uses the image plane shift coefficient k received from the interchangeable lens **200**. Specifically, when the out-of-focus amount is calculated by converting it into the number of pulses, the calculation is performed by using the image plane shift coefficient k .

Furthermore, the information of the image plane shift coefficient k is originally received in the camera body **100** through first exchange (communication) between "the interchangeable lens **200**, the adapter **300**, and the camera body **100**", and is stored in the memory in the camera control section. Thereafter (while camera power is turned on), the information is received in the camera body **100** through the routine communication (periodic communication) between "the interchangeable lens **200**, the adapter **300**, and the camera body **100**". The camera control section **110** updates and stores the image plane shift coefficient k in the memory whenever receiving the information of the image plane shift coefficient k through the routine communication. Hence, in order to generate the focus driving command **1**, the camera control section **110** performs the generation by using the image plane shift coefficient k updated at that time. This point (using the updated image plane shift coefficient k in the conversion calculation) is also the same for the case of the conversion calculation (the conversion calculation using the image plane shift coefficient k) performed by the above-mentioned adapter control section **310**.

Then, in order to cause the AF driving portion **231** of the optical system driving section **230** to perform the autofocus process based on the generated focus driving command **1**, the camera control section **110** transmits the focus driving command **1** to the adapter **300** through the first data communication system D1b (command data communication).

The adapter control section **310**, which receives the focus driving command **1**, causes the first adapter communication portion **312** to perform the autofocus process (generation of the above-mentioned focus driving command **2** and the

like). Further, the camera control section 110 makes the second adapter communication portion 313 perform the autofocus process (the process of generating the positional information from the pulse signal which is output from the AF encoder 232 of the interchangeable lens 200) through the first adapter communication portion 312 on the basis of the control command which is sent to the first adapter communication portion 312.

Alternatively, when detecting release of the half-pressed state of the release button on the basis of the state signal which is supplied from the release button 132, the camera control section 110 changes the operation state (operation mode) to a state for terminating the autofocus process. In the control to attain the state for terminating the autofocus process, the control commands from the camera control section 110 are respectively sent to the respective control target, which is controlled to perform the autofocus process, similarly to the start of the autofocus process.

Alternatively, when detecting the full-pressed state of the release button on the basis of the state signal which is supplied from the release button 132, the camera control section 110 attains a state for performing the image capturing process. In the state for performing the image capturing process, the camera control section 110 controls the respective sections so as to retain the result of the autofocus process.

In such a manner, in camera system 1, the autofocus process is performed.

Here, through the hotline communication, a process of transferring the lens operation of the focus lens 222 of the interchangeable lens 200 to the camera body 100 will be described in further detail.

Description of Hotline Communication

As described above, the “hotline communication” in the present embodiment represents communication from the interchangeable lens 200 to the camera body 100 through the adapter 300. The hotline communication is configured to include the “second data communication system D2b”, which performs communication between the adapter 300 and the camera body 100 in conformity with the third communication standard, and the “data communication system D2L” which performs communication between the interchangeable lens 200 and the adapter 300 in conformity with the fourth communication standard different from the third communication standard.

Hotline Communication of Second Data Communication System D2b

The first adapter communication portion 312 controls the second adapter communication portion 313 such that it transmits the lens position data to the second camera communication portion 113 through the terminals Tb8 to Tb11, that is, the signal lines HREQ, HANS, HCLK, and HDAT. Hereinafter, details of communication, which is performed between the second adapter communication portion 313 and the second camera communication portion 113, will be described.

In addition, in the present embodiment, the communication, which is performed between the second adapter communication portion 313 and the second camera communication portion 113, is referred to as “hotline communication of the second data communication system D2b”.

FIGS. 18A and 18B are a timing chart illustrating examples of the hotline communication of the second data communication system D2b. The second camera communication portion 113 of the present embodiment is configured to start the hotline communication of the second data communication system D2b for each predetermined period

(in the present embodiment, for example, 1 millisecond). This period is shorter than the period in which the command data communication is performed by the first data communication system D1b. FIG. 18A is a diagram illustrating a situation in which the hotline communication of the second data communication system D2b is repeated for each predetermined period T_h . FIG. 18B shows a situation in which the time period T_x in any one communication among the repeated hotline communications of the second data communication system D2b is enlarged. Hereinafter, referring to the timing chart of FIG. 18B, the sequence of the hotline communication of the second data communication system D2b will be described.

At the time of starting the hotline communication of the second data communication system D2b (T_6), first the second camera communication portion 113 outputs a signal with the L level from the contact point Ta8. That is, the signal level of the signal line HREQ is set to the L level. When detecting that the signal is input to the terminal Tb8, the second adapter communication portion 313 starts execution of the generation process 501 of generating the generation positional information. The generation process 501 is a process in which the second adapter communication portion 313 detects the result, which is obtained by counting the hotline pulse supplied from the interchangeable lens 200, and thereby generates the generation positional information indicating the position of the focus lens 222 on the basis of the detection result.

When the second adapter communication portion 313 completes execution of the generation process 501, the second adapter communication portion 313 outputs the signal with the L level from the terminal Tb9 (T_7). That is, the signal level of the signal line HANS is set to the L level. As the signal is input to the terminal Ta9, the second camera communication portion 113 outputs the clock signal 502 from the terminal Ta10. That is, the clock signal 502 is transferred to the second adapter communication portion 313 through the signal line HCLK.

The second adapter communication portion 313 outputs, in synchronization with the clock signal 502, the generation positional information (generation positional information 503) of the focus lens 222 from the terminal Tb11. That is, the generation positional information 503 is transferred to the second camera communication portion 113 through the signal line HDAT. Details of the method of generating the generation positional information will be described later in FIGS. 19 and 20.

When the transmission of the generation positional information 503 is complete, the second adapter communication portion 313 outputs a signal with the H level from the terminal Tb9. That is, the signal level of the signal line HANS is set to the H level (T_8). As the signal is input to the terminal Ta9, the second camera communication portion 113 outputs the signal with the H level from the terminal Tb8. That is, the signal level of the signal line HREQ is set to the H level (T_9).

The above-mentioned communication performed from the time T_6 to the time T_9 is a single hotline communication of the second data communication system D2b. As described above, in the single hotline communication of the second data communication system D2b, the second adapter communication portion 313 transmits a single lens position data signal. The terminals Tb8, Tb9, Ta8 and Ta9 used in the hotline communication are contact points to which the asynchronous signals asynchronous to other clock signals are transferred. That is, the terminals Tb8 and Ta8 are contact points to which the asynchronous signals (the signal

level of the signal line HREQ is the H (High) level or the L (Low) level) are transferred. In addition, the terminals Tb9 and Ta9 are contact points to which the asynchronous signals (the signal level of the signal line HANS is the H (High) level or the L (Low) level) are transferred.

In addition, the command data communication and the hotline communication can be performed simultaneously or in partially parallel. That is, one of the first adapter communication portion 312 and the second adapter communication portion 313 is able to communicate with the camera body 100 even when the other one communicates with the camera body 100.

As described above, the second adapter communication portion 313 transmits the position information which is generated on the basis of the hotline pulse signal, to the camera body 100 through the serial communication.

Further, the second adapter communication portion 313 transmits the positional information which is generated on the basis of the hotline pulse signal, to the camera body 100 through the serial communication synchronous to the communication request timing supplied from the camera body 100.

Hotline Communication of Data Communication System D2L and Method of Generating Generation Positional information in Adapter Control Section 310

Next, referring to FIGS. 19 and 20, the process of the hotline communication of the data communication system D2L (hotline pulse communication) will be described in detail.

FIG. 19 is a timing chart of signals in a case where an AF encoder provided in the interchangeable lens is a biphasic type (in other words, a case of the first type interchangeable lens). The horizontal axis is a temporal axis indicating passage of time.

FIG. 19(a) shows the shift direction of the focus lens 222 instructed by the camera control section 110. The drawing shows a state where the control command to shift the lens in the first direction is output when the signal is at the H (high) level, and shows a state where the control command to shift the lens in the second direction which is opposite to the first direction is output when the signal is at the L (low) level.

FIGS. 19(b-1) and 19(b-2) show the biphasic signals which are output from the AF encoder 232.

FIG. 19(c) shows the shift direction which is detected on the basis of the biphasic signal output from the AF encoder 232. The drawing shows a detection result of a state where the lens is shifted in the first direction when the signal is at the H (high) level, and shows a detection result of a state where the lens is shifted in the second direction which is opposite to the first direction when the signal is at the L (low) level.

FIG. 19(d) shows a result which is obtained by counting the pulses on the basis of the biphasic signal output from the AF encoder 232. Further, in the temporal axis shown in FIG. 19, each range of the time t_i to time $t_{(i+m)}$ indicates a time period in which the counting result is incremented by 1 whenever a pulse is detected. Further, in the temporal axis, each range of the time t_j to time $t_{(j+m)}$ indicates a time period in which the counting result is decremented by 1 whenever a pulse is detected.

When the information indicating the "shift direction" is intended to be extracted from the signal output by the biphasic encoder, the determination therefor can be made on the basis of the phase relationship between two signals. In the case of the biphasic encoder, there has been a known encoder in which, among two signals, one signal is set as a reference, and which is capable of detecting the shift direc-

tion on the basis of whether the phase of the other signal is advanced by 90° or retarded by 90° . Hence, in the case of the interchangeable lens of a biphasic signal output type, the second adapter communication portion 313 is able to generate the generation positional information on the basis of only the hotline pulse signal based on the biphasic signal.

For example, the second adapter communication portion 313 determines whether to perform addition or subtraction in the process of counting the hotline pulse signal, in accordance with the shift direction of the focus lens 222 detected on the basis of the hotline pulse signal. The second adapter communication portion 313 is able to perform addition or subtraction in the process of counting the hotline pulse signal, in accordance with the shift direction of the focus lens 222 detected on the basis of the hotline pulse signal.

With such a configuration, when the lens type information state indicates the second state (two phases), the second adapter communication portion 313 generates the generation positional information (information which indicates the shift direction and the shift amount of the focus lens 222) on the basis of only the hotline pulse signal.

By sequentially detecting the input hotline pulses, the adapter control section 310 is able to obtain the position of the focus lens 222 at each time from the counting result.

On the other hand, FIG. 20 is a timing chart of signals in a case where the AF encoder provided in the interchangeable lens is a single-phase type (in other words, in a case of the second type interchangeable lens). The horizontal axis is a temporal axis indicating passage of time.

FIG. 20(a) shows the shift direction of the focus lens 222 instructed by the camera control section 110. The drawing shows a state where the control command (focus driving command 1) to shift the lens in the first direction is output when the signal is at the H (high) level, and shows a state where the control command (focus driving command 1) to shift the lens in the second direction which is opposite to the first direction is output when the signal is at the L (low) level.

FIGS. 20(b-1) and 20(b-2) show the signals (single-phase signals) which are output from the AF encoder 232. From the single-phase type AF encoder 232, contrary to the biphasic type encoder, pulses are output only to one of the signals (refer to FIG. 20(b-1)).

FIG. 20(c) shows a result which is obtained by counting the pulses on the basis of the single-phase signal output from the AF encoder 232.

In this case, the second adapter communication portion 313 generates the positional information on the basis of the hotline pulse signal based on the single-phase signal. However, it is difficult to detect the shift direction of the focus lens 222 only on the basis of the hotline pulse signal which is output from the interchangeable lens. Accordingly, in the process of counting the hotline pulse signal, the second adapter communication portion 313 determines whether to perform addition or subtraction in the process of counting the hotline pulse signal, in accordance with the shift direction control information by which the focus lens 222 is shifted.

Then, the information which indicates the actual shift direction of the focus lens 222, is substituted with the command information of the driving direction included in the focus driving command 1 which is generated in the camera control section 110.

With such a configuration, when the lens type information state indicates the first state (single phase), the second adapter communication portion 313 generates the generation

positional information (information which indicates the shift direction and the shift amount of the focus lens 222) on the basis of the driving direction command information which is included in the focus driving command 1, and the positional information which is generated on the basis of the hotline pulse signal output from the interchangeable lens 200.

As described above, the second adapter communication portion 313 is able to generate the process of transmitting the generation positional information which is generated on the basis of the hotline pulse signal, to the camera body 100 on the basis of the lens type information.

As a result, the second adapter communication portion 313 is able to detect the position of the focus lens 222 on the basis of the hotline pulse signal by changing the process of generating the generation positional information on the basis of the lens type information.

Further, the second adapter communication portion 313 may execute the process of transmitting the generation position information which is generated on the basis of the hotline pulse signal output from the interchangeable lens 200, to the camera body 100 on the basis of the lens type information.

Furthermore, the second adapter communication portion 313 may stop the process of transmitting the generation positional information which is generated on the basis of the hotline pulse signal output from the interchangeable lens 200, to the camera body 100 on the basis of the lens type information.

In addition, the lens type information can be acquired by the first adapter communication portion 312 from the interchangeable lens 200 through the command data communication. The first adapter communication portion 312 converts the acquired lens type information into a state appropriate for the first communication standard, and then transmits the information to the camera body 100 through the command data communication.

Details of Initialization Process in Lens Activation Process

First, the process after the lens initialization process (step S150) in the lens activation process described with reference to FIG. 21 will be described in detail.

FIG. 21 is a diagram illustrating an example of a process sequence of the initialization process in the lens activation process. In FIG. 21, the processes corresponding to the respective processes of FIGS. 12 and 13 are represented by the same reference signs and numerals, and the description thereof will be omitted.

The first camera communication portion 112 supplies the electric power of the power-system power supply PWR (step S1130), and subsequently transmits the initialization execution command as an initialization request to the first adapter communication portion 312 (step S1140). Thereafter, the first camera communication portion 112 repeatedly transmits an initialization completion confirmation command (steps S1145a, S1145b, S1145c, . . .), which is to detect completion of the process of initialization performed by the adapter 300, to the first adapter communication portion 312, and waits for the response of "initialization completion" from the first adapter communication portion 312 (step S1145).

In addition, in FIG. 21, the first camera communication portion 112 acquires the response of "initialization completion" on the basis of the result of the response to the initialization completion confirmation command of step S1145n.

When the first adapter communication portion 312 receives the initialization execution command, the adapter

control section 310 executes a process of initializing the respective sections provided in the adapter 300 (step S2130). Next, the adapter control section 310 controls the diaphragm interlocking lever driving section 330 such that it moves the diaphragm interlocking lever 350 to the retractable position (step S2135).

Subsequently, the adapter control section 310 advances the process to the lens mounting determination process (step S140). In the lens mounting determination process, if there is a response from the first lens communication portion 212, the first adapter communication portion 312 determines that the interchangeable lens 200 is mounted on the adapter 300, and performs communication for information exchange between the adapter 300 and the interchangeable lens 200 (steps S2146 and S3146).

In the communication for information exchange between the adapter 300 and the interchangeable lens 200, for example, the first adapter communication portion 312 and the first lens communication portion 212 identify each other by communicating identification commands with each other, and check whether or not it is possible to perform communication normally. Further, the first adapter communication portion 312 acquires lens information which is for identifying the type of the interchangeable lens 200, information which indicates a state of the lens switch (for example, a switch for switching between AF and MF (Manual Focus)) provided in the interchangeable lens 200, and the like.

For example, when unable to acquire the lens type information acquired from the interchangeable lens 200, the first adapter communication portion 312 (relay process section) may determine that the interchangeable lens 200 is not mounted on the adapter 300 (lens unmounted state).

Further, when unable to acquire the lens type information while determining that the interchangeable lens 200 is mounted, the first adapter communication portion 312 may determine that the interchangeable lens 200 has a specification in which it is unable to communicate with the adapter 300.

Further, the first lens communication portion 212 transmits the lens driving system power supply Vp request signal to the first adapter communication portion 312. Then, the adapter control section 310 advances the process to the lens initialization process (step S150).

In the lens initialization process (step S150), first, when the first adapter communication portion 312 receives the lens driving system power supply Vp request signal, the adapter control section 310 causes the adapter power supply section 320 to generate the voltage of the lens driving system power supply Vp and supply (feed) the voltage to the interchangeable lens 200 (step S2152).

Next, the first adapter communication portion 312 transmits the lens initialization execution command (multifunctional lens initialization request), which is to request execution of the lens initialization process, to the first lens communication portion 212, and executes the lens initialization process between itself and the lens control section 210 (steps S2154 and S3154).

For example, the first adapter communication portion 312 transmits the lens information acquisition request command, which is to request execution of the lens information acquisition response process, to the first lens communication portion 212, and thereafter receives the response information from the first lens communication portion 212 (step S2154a). When the first lens communication portion 212 receives the lens information acquisition request command, the lens control section 210 executes the lens information acquisition response process in response to the lens infor-

mation acquisition request command from the first adapter communication portion **312**, and transmits the response information to the first adapter communication portion **312** (step **S3154a**). The lens information acquisition response process at this time is first exchange (communication) of the lens information between the interchangeable lens **200** and the adapter **300**.

The lens information acquisition response process includes not only the processes of initializing the lens control section **210**, the autofocus (AF) control (control of the AF lens **222**), the vibration-proof control (control of the VR lens **223**), and the like, but also a process of transmitting the lens information such as the lens type information to the first adapter communication portion **312** (the lens information includes not only various kinds of lens information stored and retained in the nonvolatile memory in the lens control section **210** and the above-mentioned lens type information but also for example presence or absence of the vibration-proof function, presence or absence of the electromagnetic diaphragm, the full-aperture F value, focal length, and the like). Further, in the lens information acquisition response process, the adapter **300** acquires the information of the above-mentioned image plane shift coefficient k (the image plane shift coefficient k corresponding to the focal length which is set at that time) from the interchangeable lens **200**. Then, the acquired image plane shift coefficient k is stored in the nonvolatile memory in the adapter control section **310**. The memory, in which the image plane shift coefficient k is stored, is not limited to the nonvolatile memory, but may be a volatile memory.

Next, the first adapter communication portion **312** transmits the hotline setting execution command, which is to request execution of the hotline setting process, to the first lens communication portion **212** (step **S2154b**). When the first lens communication portion **212** receives the hotline setting execution command, the lens control section **210** executes the hotline setting execution process in response to the hotline setting execution command from the first adapter communication portion **312** (step **S3154b**).

The hotline setting execution process is a process of determining states of the respective components in the lens control section **210** and outputting the hotline pulse signal from the second lens communication portion **213**. Through the process of step **S3154b**, the second lens communication portion **213** is controlled to continuously output the hotline pulse signal.

However, in step **S2154b**, when unable to acquire the lens type information from the lens control section **210**, the notification of the hotline setting execution command in the processes of steps **S2154b** and **S3154b** is not performed, a determination flag to permit the hotline communication to the camera control section **110** is set in a non-permission state.

As described above, the lens initialization process includes processes of initializing the lens control section **210**, the AF control (control of the AF lens **222**), the vibration-proof control (control of the VR lens **223**), and the like.

In addition, in the case of the electromagnetic-diaphragm-type CPU lens (refer to the interchangeable lens **200C** of FIG. **6**), in the lens initialization process, the process of initialization of the electromagnetic diaphragm control (refer to the lens control section **210C** of FIG. **6**) is also executed.

In addition, after the lens initialization process is complete, first adapter communication portion **312** starts the lens routine communication with the first lens communication

portion **212** (step **S2156**). The routine communication is performed in the predetermined period as described above. Then, in the lens information acquisition response process, the adapter **300** acquires the information of the above-mentioned image plane shift coefficient k (the image plane shift coefficient k corresponding to the focal length which is set at that time) from the interchangeable lens **200**. Then, the first adapter communication portion **312** updates the contents of the storage of the above-mentioned memory whenever the image plane shift coefficient k is acquired.

Next, the adapter control section **310** performs initialization driving of the diaphragm interlocking lever **350** (step **S2158**). For example, the adapter control section **310** controls the diaphragm interlocking lever driving section **330**, thereby executing the process of moving the position of the diaphragm interlocking lever **350** to the prescribed position which is determined in advance. In addition, the adapter control section **310** moves, in accordance with the control condition, the position of the diaphragm interlocking lever **350** to, for example, a retractable position, an open position, or a position stored in a storage portion.

Subsequently, in response to completion of execution of the initialization driving of the diaphragm interlocking lever **350** in step **S2158**, the first adapter communication portion **312** responds with "initialization completion" as the initialization state to the initialization completion confirmation command (step **S1145n**) issued from the first camera communication portion **112** (step **S2159**).

Through the "initialization completion", the first adapter communication portion **312** relays the lens type information which is acquired from the interchangeable lens **200** to the camera body **100**.

The first camera communication portion **112** acquires the response to "initialization completion" on the basis of the result of the response to the initialization completion confirmation command of step **S1145n** (step **S1150**), and ends the initialization.

In addition, in some cases, the second adapter communication portion **313** may stop the process of transmitting the positional information which is generated on the basis of the hotline pulse signal output from the interchangeable lens **200** to the camera body **100** through the control from the first adapter communication portion **312**.

For example, the second adapter communication portion **313** stops the process of transmitting the generated positional information to the camera body **100** through the control from the first adapter communication portion **312** corresponding to the lens type information which is acquired from the lens control section **210** in step **S3154a**.

As described above, in response to the initialization execution command from the first camera communication portion **112**, the adapter control section **310** is able to initialize the respective sections provided in the adapter **300**, determine whether the lens is mounted on the adapter **300**, and initialize the state of the interchangeable lens **200** mounted on the adapter **300**. Further, the first camera communication portion **112** is able to detect whether or not the initialization process of the adapter **300** is complete in the period with the time interval shorter than that of the period of the routine data communication. Accordingly, the camera control section **110** is able to appropriately and promptly detect whether or not the initialization process is complete.

In addition, the first adapter communication portion **312** receives the lens information which is stored (retained) in the storage area (the nonvolatile memory of the lens control section **210**) of the interchangeable lens **200** from the

interchangeable lens 200 (step S2154a), and subsequently controls the second adapter communication portion 313 such that it transmits the positional information (the positional information which is generated from the single-phase or biphasic pulse signal) which is generated by the second adapter communication portion 313 to the camera body 100.

The hotline communication and the routine communication perform communications using communication systems independent from each other. Further, the communication timing of each communication is independently set.

The first adapter communication portion 312 starts supplying the electric power to the interchangeable lens 200 (step S2152), and subsequently controls the interchangeable lens 200 such that the interchangeable lens 200 transmits the pulse signal received from the AF encoder 232 (step S8010). Further, the start of the output of the pulse signal from the AF encoder 232 is sequenced, as can be clearly understood from FIG. 21, to be performed after the hotline setting process (the process in step S150) is complete. Thereby, it is possible to reliably count the pulse signals, and thus it is possible to generate correct positional information of the focus lens 222 through the adapter 300.

As described above, in the lens initialization sequence shown in FIG. 21, when the hotline setting process (the process in step S150) is complete, it is possible to start generating the positional information to transfer the shift amount of the focus lens 222 to the camera body. Therefore, it is possible to perform high-speed AF activation in the system.

As described above, the first adapter communication portion 312 is able to transmit the positional information which is generated by the second adapter communication portion 313, to the camera body 100.

Process Sequence of Hotline Communication

Referring to FIG. 22, a description will be given of the process in which the adapter control section 310 communicates the positional information which is detected by the AF encoder 232 of the optical system driving section 230, to the camera control section 110.

FIG. 22 is a diagram illustrating an example of a communication sequence of the hotline communication.

In the communication sequence shown in FIG. 22, the hotline communication (second data communication system D2b or D2L) and the command data communication (first data communication system D1b or D1L) for controlling the hotline communication are collectively shown. In FIG. 22, the frames representing the processes in the hotline communication are indicated by the double lines, and the frames representing the processes in the command data communication are indicated by the solid lines.

In addition, the hotline communication of the second data communication system D2b is communication which is periodically performed in the period T_h between the second camera communication portion 113 and the second adapter communication portion 313 (for example, steps S6110, S6120, and S6130).

Further, the hotline communication of the data communication system D2L is communication in which the second lens communication portion 213 transmits hotline pulses (step S8010: 8010a to S8010e) and the second adapter communication portion 313 receives the hotline pulses which are transmitted in step S8010 (steps S7010a to S7010e). Regarding the hotline pulses transmitted in step S8010, the pulses generated in the interchangeable lens 200 are transmitted as a pulse train.

The hotline communication in the present embodiment is to provide communication to form the returning path for

giving feedback of the positional information of the focus lens 222 as a control target of the autofocus control to the camera control section 110.

Through the control from the camera control section 110, when the position of the focus lens 222 provided in the interchangeable lens 200 is controlled, the returning path for giving feedback of the positional information of the focus lens 222 to the camera control section 110 is made to be available.

First, the first camera communication portion 112 performs the hotline communication start process of starting the hotline communication in order to acquire the positional information of the focus lens 222 (step S910).

In step S910, the first camera communication portion 112 transmits the hotline communication setting command, which is a communication control command to control the communication performed by the second adapter communication portion 313, to the first adapter communication portion 312 (step S1910). The hotline communication setting command is sent to the command data communication. The hot-line communication setting command is a control command to control the second adapter communication portion 313 such that, for example, it permits the communication request from the second camera communication portion 113 in the hotline communication.

Next, the first adapter communication portion 312 accepts the received hotline communication setting command, and performs control so as to perform the hotline communication setting. Specifically, the first adapter communication portion 312 controls the second adapter communication portion 313 in response to the accepted hotline communication setting command. By accepting the hotline communication setting command, the first camera communication portion 112 accepts the communication request from the second camera communication portion 113 so as to thereby shift the control state of the second adapter communication portion 313 into a state capable of performing the hotline communication (step S2910). The second adapter communication portion 313 shifted to the state capable of performing the hotline communication as described above attains a state capable of transmitting the positional information which is generated on the basis of the hotline pulse signal to the camera body 100. That is, the second adapter communication portion 313 is set in a state capable of generating the positional information by counting the pulse of the supplied hotline pulse signal.

Subsequently, by shifting the state of the second adapter communication portion 313 to the state capable of performing the hotline communication, the second camera communication portion 113 performs the hotline communication with the second adapter communication portion 313 in accordance with the period T_h (steps S6010, S6020, and S6030).

Further, the second adapter communication portion 313 counts the number of pulses of the hotline pulse signal which is sent from the second lens communication portion 213.

In each hotline communication performed in accordance with the period T_h , for example, as shown in step S6010, the second camera communication portion 113 requests the second adapter communication portion 313 to perform the hotline communication, and receives the positional information of the focus lens 222 from the second adapter communication portion 313 (step S6110).

Further, the second adapter communication portion 313 transmits, in synchronization with the communication timing requested by the second camera communication portion

113, the generated positional information of the focus lens 222 to the second camera communication portion 113 (step S7110).

The relationship between step S6110 and step S7110 will be described in detail.

The second camera communication portion 113 and the second adapter communication portion 313 control the signal levels of the signal lines HREQ and HANS, thereby performing a handshake process of the communication control of the hotline communication.

At the time of starting the hotline communication, the second camera communication portion 113 sets the signal level of the signal line HREQ to the L level, thereby notifying the request (HL data output request) of the hotline communication to the second adapter communication portion 313 (step S6112). When detecting the request (HL data output request) of the hotline communication, the second adapter communication portion 313 synchronizes the request (HL data output request) of the hotline communication with the detection, and generates the positional information of the focus lens 222.

For example, the second adapter communication portion 313 detects the result which is obtained when the second adapter communication portion 313 counts the number of pulses of the hotline pulse signal supplied from the interchangeable lens 200. The second adapter communication portion 313 generates the positional information of the focus lens 222 indicated by the counting result.

When the generation of the positional information of the focus lens 222 is complete, the second adapter communication portion 313 sets the signal level of the signal line HANS as a response signal for the HL data output request into the L level. The second camera communication portion 113 transfers the clock signal to the second adapter communication portion 313 through the signal line HCLK in response to the detection of the response signal.

The second adapter communication portion 313 transmits (HL data transmission) the positional information of the focus lens 222 in synchronization with the clock signal (step S7114).

The second camera communication portion 113 receives (HL data reception) the positional information of the focus lens 222 (step S6114).

When the transmission of the positional information of the focus lens 222 is complete, the second adapter communication portion 313 notifies (notifies end of the HL data) completion of the transmission to the second adapter communication portion 313 (step S7116).

When receiving the HL data end notification from the second adapter communication portion 313, the second camera communication portion 113 notifies the response to the HL data end notification to the second adapter communication portion 313 (step S6116).

Through the process mentioned above, the second adapter communication portion 313 detects the counted number of pulses of the hotline pulse signal in accordance with the timing which is synchronized with the timing of the hotline communication requested from the second camera communication portion 113. The second adapter communication portion 313 generates the detected number of pulses of the hotline pulse signal as the positional information of the focus lens 222. The second adapter communication portion 313 transmits the generated positional information of the focus lens 222 to the second camera communication portion 113.

Further, in order to terminate the acquisition of the positional information of the focus lens 222, the first camera

communication portion 112 executes a hotline communication stop process of terminating the hotline communication (step S920).

In step S920, the first camera communication portion 112 transmits the hotline communication inhibition setting command, which is the communication control command to perform control so as to stop the communication performed by the second adapter communication portion 313, to the first adapter communication portion 312 (step S1920). The hotline communication inhibition setting command is sent through the command data communication. The hotline communication inhibition setting command is, for example, a control command to perform control so as to not permit the communication request from the second camera communication portion 113 in the hotline communication and stop the hotline communication from the second adapter communication portion 313.

Next, the first adapter communication portion 312 accepts the received hotline communication inhibition setting command, and performs control so as to stop the hotline communication setting. The first adapter communication portion 312 performs conversion into control information for controlling the second adapter communication portion 313 in accordance with the accepted hotline communication inhibition setting command, and controls the second adapter communication portion 313 on the basis of the converted control information. By accepting the hotline communication setting command, the first camera communication portion 112 accepts the communication request from the second camera communication portion 113, and thereby shifts the control state of the second adapter communication portion 313 to a state in which it does not perform the hotline communication (step S2920). As described above, the second adapter communication portion 313, which is shifted to the state capable of performing the hotline communication, attains a state where it does not transmit the positional information which is generated on the basis of the hotline pulse signal, to camera body 100.

In addition, according to the present embodiment, the adapter 300 includes: the first mount 301 that is detachably attached to the camera body 100 having the AF sensor 106 (focus detection section) which detects a focal point; the second mount 302 that is provided separately from the first mount 301 and is detachably attached to the interchangeable lens 200 having the optical system driving section 230 (focusing mechanism) which performs focusing; and the adapter control section 310 that is able to communicate with the camera body 100 mounted on the first mount 301 on the basis of the first communication standard and is able to communicate with the interchangeable lens 200 mounted on the second mount 302 on the basis of the second communication standard. The adapter control section 310 receives the first control command, which is generated by the camera body 100 in accordance with the detection result of the AF sensor 106 (focus detection section) and is based on the first communication standard, from the camera body 100. The adapter control section 310 converts the first control command into the second control command based on the second communication standard, and transmits the second control command to the interchangeable lens 200 which is mounted on the second mount 302.

As described above, at the time of controlling the interchangeable lens 200 from the camera body 100, even when the interchangeable lens 200 communicates with the camera body 100 on the basis of the communication standard, the adapter control section 310 is able to perform conversion in

accordance with the respective communication standards, and thus cause various kinds of interchangeable lenses to appropriately function.

Further, the adapter control section **310** has a storage portion that receives, from the interchangeable lens **200** 5 mounted on the second mount **302**, and stores the information which indicates a relationship between the shift amount of the focus lens **222** included in the optical system driving section **230** (focusing mechanism) and the amount of change in the image forming position caused by the focus lens **222** 10 as the focus lens **222** is shifted by the shift amount, from the interchangeable lens **200**.

Further, the adapter control section **310** converts the stored information into the information appropriate for the first communication standard, and transmits the information 15 to the camera body **100** mounted on the first mount **301**.

Further, the adapter control section **310** transmits the stored information to the camera body **100**, and receives the first control command from the camera body **100**.

Furthermore, the adapter control section **310** converts the first control command into the second control command on the basis of the stored information. 20

Further, the first control command indicates the driving rotation amount of the AF driving portion **231** (motor) for driving the focus lens **222** included in the optical system driving section **230** (focusing mechanism). The adapter control section **310** converts the driving rotation amount into the amount of change in the image forming position through the change process using the stored information.

Further, the adapter control section **310** transmits the second control command to the interchangeable lens **200**, and subsequently receives and counts the pulse signal (hotline pulse signal) corresponding to the shift state of the focus lens **222** which is output from the interchangeable lens **200**. The adapter control section **310** generates, on the basis of the counted pulse signal (hotline pulse signal), the positional information corresponding to the shift state of the focus lens **222**, and transmits the generated positional information to the camera body **100**. 25

Further, the adapter control section **310** (second adapter communication portion **313**) changes the process, which is for generating the positional information of the focus lens **222** on the basis of the pulse signal (hotline pulse signal) indicating the positional information of the focus lens **222** provided in the interchangeable lens **200**, in accordance with the lens type information (type information) which indicates the type of the interchangeable lens **200** mounted on the second mount **302**. 30

As described above, the second adapter communication portion **313** executes the process, which is for generating the positional information on the basis of the hotline pulse signal, as a transmission process corresponding to the lens type information. Thereby, in the camera system **1**, it is possible to cause various kinds of interchangeable lenses to appropriately function. 35

Further, in some cases, the second adapter communication portion **313** may detect position of the focus lens **222** on the basis of the hotline pulse signal which is supplied from the interchangeable lens **200** in accordance with the lens type information. 40

For example, when the lens type information state indicates the first state (first type, single-phase), the second adapter communication portion **313** generates the positional information on the basis of the shift direction control information (direction command information), which is included in the first control command and indicates the direction to shift the focus lens **222**, and the hotline pulse signal which 45

is output from the interchangeable lens **200**. In this case, the second adapter communication portion **313** determines whether to perform addition and subtraction in the process of counting the hotline pulse signal, on the basis of the shift direction control information (direction command information) which indicates the direction to shift the focus lens **222**. 5

Further, for example, when the lens type information state indicates the second state (second type, biphasic), the second adapter communication portion **313** generates the positional information on the basis of the hotline pulse signal which is output from the interchangeable lens **200**. In this case, the second adapter communication portion **313** determines whether to perform addition and subtraction in the process of counting the hotline pulse signal, on the basis of the shift direction control information (direction command information) which indicates the detected direction to shift the focus lens **222**. 10

As described above, even when the signals output from the interchangeable lens **200** are different, on the basis of the lens type information, it is possible to change the process of detecting the position of the focus lens **222**, and thus it is possible to cause various kinds of the interchangeable lenses to appropriately function. 15

Further, in some cases, the second adapter communication portion **313** may stop the process of transmitting the positional information which is generated on the basis of the hotline pulse signal output from the interchangeable lens **200**, to the camera body **100** through the control from the first adapter communication portion **312**. 20

Furthermore, the first adapter communication portion **312** relays the lens type information which is acquired from the interchangeable lens **200**, to the camera body **100**, whereby the camera control section **110** is able to acquire the lens type information, and is thus able to select the process corresponding to the acquired lens type information. 25

Further, if it is determined that the lens type information is not acquired from the interchangeable lens **200** through the determination based on the lens type information, the second adapter communication portion **313** stops transmitting the positional information, whereby the second adapter communication portion **313** is able to stop transmitting information unnecessary for the camera control section **110**. 30

Furthermore, the second adapter communication portion **313** transmits the position information which is generated on the basis of the hotline pulse signal, to the camera body **100** through the serial communication. 35

In addition, the second adapter communication portion **313** transmits the positional information which is generated on the basis of the hotline pulse signal, to the camera body **100** through the serial communication synchronous to the communication request timing supplied from the camera body **100**. 40

With such a configuration, it is possible to effectively send information from the second adapter communication portion **313** to the camera control section **110**. 45

As described above, since it is possible to change the process of transmitting the positional information of the focus lens **222** on the basis of the lens type information, it is possible to cause various kinds of the interchangeable lenses to appropriately function. 50

Furthermore, according to the present embodiment, the second adapter communication portion **313** executes the process of counting the hotline pulses (pulses) indicating the position of the focus lens **222** provided in the interchangeable lens **200**. Thereby, it is possible to count the hotline pulses (pulses), which are output from the interchangeable lens, in the adapter **300**. Thus, even in the camera body 55

which is unable to process the hotline pulses, it is possible to cause various kinds of the interchangeable lenses to appropriately function.

For example, the first adapter communication portion **312** outputs the control information which indicates the first state for performing the autofocus process. The shift to the first state is performed, for example, at the timing at which the release button **132** is pressed halfway. Then, while the release button **132** is being pressed halfway, the first state is maintained. In addition, the half-pressed operation state is, in other words, a state where the operation mode of the camera body **100** performs the autofocus process, or in other words, a state where the focus lens **222** in the interchangeable lens **200** performs the focusing operation. The second adapter communication portion **313** controls execution of the process of counting the pulses on the basis of the control information indicating the first state. The second adapter communication portion **313** executes the process of counting the pulses in the first state.

Further, for example, the first adapter communication portion **312** sends the control command to execute the autofocus process to the interchangeable lens **200**. The second adapter communication portion **313** executes the process of counting the pulses which are generated by the shift of the focus lens **222** corresponding to the control command.

When executing the process of counting the pulses, the first adapter communication portion **312** sends the control command, which is to execute the autofocus process, to the interchangeable lens **200**, as the operation mode of the camera body **100** is shifted to the first state. The second adapter communication portion **313** starts the process of counting the pulses, as the operation mode of the camera body **100** is shifted to the first state.

Thereby, it is possible to count the hotline pulses (pulses), which are output from the interchangeable lens, in the adapter **300**. Thus, it is possible to cause various kinds of the interchangeable lenses to appropriately function.

Further, when executing the process of counting the pulses, as the operation mode of the camera body **100** shifts from the first state to the second state (to be described later) where the result of the autofocus process is not retained and the autofocus process is stopped, the second adapter communication portion **313** may initialize (reset) the counted number of pulse signals.

For example, when initializing the number of counted pulse signals, the second adapter communication portion **313** initializes the number of counted pulses, in synchronization with the shift from the first state to the second state.

Further, when initializing the number of counted pulse signals, the second adapter communication portion **313** repeatedly initializes the number of counted pulse signals while it is in the second state.

The second state depends on the state where the half-pressed operation state of the release button of the camera body **100** is released. That is, in the embodiment, a counter, which counts the number of pulses by performing synchronization when the half-pressed operation of the release button **132** is released, is reset. In other words, the counter is reset in synchronization with the time when the operation mode of the camera body **100** is shifted (makes transition) to a state where the autofocus process is not performed. Further, in other words, the counter is reset in synchronization with the time when the focus lens **222** in the interchangeable lens **200** is shifted (makes transition) to a state where the focusing operation is not continued.

Furthermore, the reset operation of the counter may be configured to not only reset the counter only at the timing at which the half-pressed operation of the release button **132** is released but also continuously reset the counter in the time period in which the half-pressed operation of the release button **132** remains released.

Further, the first state depends on the half-pressed state of the release button of the camera body **100**. That is, in the embodiment, the counting of the pulse signals is started in synchronization with the time when the release button **132** is pressed halfway.

Thereby, when the hotline pulses (pulses) output from the interchangeable lens are counted in the adapter **300**, it is possible to initialize a value of the number of counted pulses depending on the photography state. Thus, it is possible to cause various kinds of the interchangeable lenses to appropriately function.

Further, according to the present embodiment, the first adapter communication portion **312** receives the lens information (to be describe later), which is retained in the storage area (the nonvolatile memory in the lens control section **210**) of the interchangeable lens **200**, from the interchangeable lens **200**, and subsequently controls the second adapter communication portion **313** such that it transmits the above-mentioned generation positional information to the camera body **100**. In this case, the first adapter communication portion **312** controls the interchangeable lens **200** such that the detected positional information is transmitted from the interchangeable lens **200** in accordance with the start of the supply of the electric power to the interchangeable lens **200**.

Further, in this case, the first adapter communication portion **312** controls the second adapter communication portion **313** such that it transmits the positional information to the camera body **100** through the control from the camera body **100**.

Furthermore, in this case, the first adapter communication portion **312** causes the interchangeable lens **200** to detect the position of the focus lens **222** and output the detected positional information as a signal from the interchangeable lens **200**.

In addition, in this case, the first adapter communication portion **312** performs setting for transmitting the positional information to the camera body **100** through the control from the camera body **100**, controls the second adapter communication portion **313** such that it transmits the positional information, subsequently causes the interchangeable lens **200** to detect the position of the focus lens **222** and output the detected positional information as a signal (pulse signal) from the interchangeable lens **200**, thereby receiving the pulse signal from the interchangeable lens **200**.

Thereby, it is possible to cause various kinds of the interchangeable lenses to appropriately function.

Further, for example, the first adapter communication portion **312** controls the interchangeable lens **200** such that it transmits the detected positional information from the interchangeable lens **200** while the initialization process of the interchangeable lens **200** and the adapter **300** is executed.

In this case, the first adapter communication portion **312** sends the control command to execute the autofocus process to the interchangeable lens **200**. The second adapter communication portion **313** executes the process of counting the pulses generated in accordance with the shift of the focus lens **222** caused by the autofocus process based on the control command.

Further, in this case, after the first adapter communication portion **312** sends the control command to execute the

autofocus process to the interchangeable lens 200, the second adapter communication portion 313 starts the process of counting the pulses generated in accordance with the shift of the focus lens 222 caused by the autofocus process based on the control command.

As described above, the first adapter communication portion 312 controls the interchangeable lens 200 such that it transmits the detected positional information from the interchangeable lens 200 while the initialization process of the interchangeable lens 200 and the adapter 300 is executed, and is thereby able to acquire the position of the focus lens 222. As a result, it is possible to cause various kinds of the interchangeable lenses to appropriately function.

Control Commands for Interchangeable Lenses with Different Methods of Driving Diaphragm

Referring to the drawings, a description will be given of methods of driving diaphragms based on respective specification of the mutually different type interchangeable lenses.

First, referring to FIGS. 6 and 11, the diaphragm control for the electromagnetic-diaphragm-type interchangeable lens 200C will be described.

The interchangeable lens 200C has a diaphragm driving portion 233C that controls the diaphragm mechanism 251C.

The adapter 300 performs the process according to the process sequence shown in FIG. 11 when controlling the diaphragm driving portion 233C. Before performing the process of the process sequence shown in FIG. 11, the first adapter communication portion 312 determines (recognizes) that the type of the interchangeable lens is the type of the interchangeable lens 200C, on the basis of the lens type information received from the interchangeable lens 200C in advance in the lens initialization process.

On the basis of the determination result, in step S2030 shown in FIG. 11, the first adapter communication portion 312 sends the received lens control command (driving start command) to the first lens communication portion 212C.

The first lens communication portion 212C receives the lens control command (driving start command) to control the diaphragm driving portion 233C, and causes the lens control section 210C to control the driving of the diaphragm driving portion 233C in response to the received lens control command.

Next, referring to FIGS. 3 and 23, a description will be given of the diaphragm control for the interchangeable lens 200 having the built-in diaphragm mechanism (section) 251 which interlocks with the diaphragm lever 252 and includes diaphragm blades.

FIG. 23 is a diagram illustrating an example of the communication sequence for detecting the driving status of the optical system driving section.

In the communication sequence for detecting the driving status of the optical system driving section shown in FIG. 23, the some processes are different from the processes shown in FIG. 11. As the different processes, there are steps S2030a and S2040a.

The steps S2030a and S2040a will be described through an example of a case of controlling the diaphragm mechanism 251 of the interchangeable lens 200.

When controlling the diaphragm driving portion 233C, the adapter 300 performs the processes according to the process sequence shown in FIG. 23. Before performing the processes of the process sequence shown in FIG. 23, the first adapter communication portion 312 determines (recognizes) that the type of the interchangeable lens is the type of the interchangeable lens 200, on the basis of the lens type

information received from the interchangeable lens 200 in advance in the lens initialization process.

Due to the determination result, in step S2030a shown in FIG. 23, the first adapter communication portion 312 controls the diaphragm control portion 314 in response to the received lens control command (driving start command). At this time, the first adapter communication portion 312 does not transmit the received lens control command (driving start command) to the first lens communication portion 212.

The diaphragm control portion 314 controls the diaphragm interlocking lever driving section 330 in response to the received lens control command (driving start command) so as to thereby drive the diaphragm interlocking lever 350. Thereby, in accordance with the amount of driving of the diaphragm interlocking lever 350, it is possible to drive the diaphragm mechanism 251 in the interchangeable lens 200.

Further, in step S2040a, when the movement of the diaphragm interlocking lever 350 to the target position is complete, the diaphragm control portion 314 controls the diaphragm interlocking lever driving section 330 such that it stops driving the diaphragm interlocking lever 350. Further, the diaphragm control portion 314 sets the driving status of the diaphragm interlocking lever 350 in "driving stop" which indicates the driving stop status.

The "driving-in-progress response" set in step S2032 and the "driving stop response" set in step 2040a are notified as response information on the first camera communication portion 112 from the first adapter communication portion 312 through the routine data communication.

According to the present embodiment, as described above, even when the methods of driving the diaphragm are different in the interchangeable lenses, it is possible to commonly use the control command transmitted from the first camera communication portion 112 to the first adapter communication portion 312, and it is also possible to appropriately control the diaphragms of the respective interchangeable lenses (the interchangeable lens 200 and the interchangeable lens 200C). That is, even when there is no compatibility between the standard of the diaphragm control for the camera body 100 and the standards of the diaphragm control for the various kinds of the interchangeable lenses, by interposing the adapter 300 of the present embodiment therebetween, without necessity for change in configurations and standards of both of the camera body side and the interchangeable lens side, it is possible to implement the diaphragm control compatible with various kinds of the interchangeable lens on the basis of the diaphragm control command from the camera body 100.

The adapter 300 determines the method of driving the diaphragm on the basis of the type information acquired from the interchangeable lens.

As described above, the adapter control section 310 controls the aperture diameters of the respective diaphragm mechanisms 251 (251C) (diaphragms) of the interchangeable lens 200 and the interchangeable lens 200C, which have different methods of driving the diaphragm sections 250 (diaphragm mechanisms 251) provided in the interchangeable lens 200 (200C), in response to the common control command supplied from the camera body 100.

Thereby, since the adapter control section 310 is able to control the aperture diameters of the respective diaphragm mechanisms 251 (251C) (diaphragms) of the interchangeable lens 200 and the interchangeable lens 200C which have different methods of driving the diaphragm sections 250 (diaphragm mechanisms 251) in response to the common control command, it is possible to cause various kinds of

interchangeable lenses (optical systems) to appropriately function in the camera system 1.

By changing the control method corresponding to the method of driving the diaphragm mechanism 251 on the basis of the lens type information indicating the type of the interchangeable lens 200, such an adapter control section 310 is able to cause various kinds of interchangeable lenses (optical systems) to appropriately function.

For example, the diaphragm interlocking lever driving section 330 (first driving section) drives the diaphragm mechanism 251 by mechanically transferring the generated stress thereto.

The adapter control section 310 executes the process of moving the diaphragm interlocking lever 350 by controlling the diaphragm interlocking lever driving section 330. The diaphragm interlocking lever 350 (diaphragm interlocking mechanism portion) is moved to a position, which corresponds to the aperture diameter of the diaphragm mechanism 251 provided in the interchangeable lens 200, through the diaphragm interlocking lever driving section 330 (first driving section). Thereby, the diaphragm interlocking lever driving section 330 (diaphragm interlocking mechanism driving portion) is able to move the position of the diaphragm interlocking lever 350.

Further, for example, the interchangeable lens 200C may have the optical system control portion 211C which controls the aperture diameter of the diaphragm mechanism 251C (diaphragm blades) provided in the interchangeable lens 200C by driving the diaphragm driving portion 233C (second driving section). In this case, the adapter control section 310 controls the optical system control portion 211C in response to the control command, thereby executing the process of driving the diaphragm driving portion 233C.

As described above, the adapter control section 310 selects either one of the diaphragm interlocking lever driving section 330 and the diaphragm driving portion 233C (second driving section), which drives the diaphragm mechanism 251C in the interchangeable lens 200, on the basis of the lens type information, and controls the selected driving section, whereby it is possible to control the aperture diameter of the diaphragm mechanism 251 (251C).

Further, programs for implementing the respective functions of the camera control section 110, the lens control section 210, and the adapter control section 310 mentioned above are recorded in a computer-readable recording medium, and the programs recorded in the recording medium are read out and executed by a computer system, whereby the above-mentioned processes of the respective section may be performed. In addition, the "computer system" described herein is defined to include OS and hardware such as peripherals.

Further, in a case of using the WWW system, the "computer system" is also defined to include the homepage provision environment (or display environment).

Further, the "computer-readable recording medium" means a portable medium such as a flexible disk, a magneto-optical disc, a ROM, or a CD-ROM or a storage device such as a hard disk built into the computer system. Furthermore, the "computer-readable recording medium" is defined to include: dynamically retaining a program during a short period of time like the communication line in the case of transmitting the program through the network such as the Internet and the communication line such as the telephone line; and retaining a program during a predetermined time like a volatile memory inside the computer system serving as a server or client in that case. Further, the program may be to implement some of the functions mentioned above, and

may be implemented in combination with the program in which the above-mentioned functions are recorded in advance in the computer system.

Although the embodiments of the present invention have been described hitherto in detail with reference to the drawings, the detailed configuration is not limited to the embodiments, and may include changes in design and the like made without departing from the technical scope of the present invention.

What is claimed is:

1. An adapter comprising:

a first mount section that is detachably [attached] *attachable* to a camera body;

a second mount section that is provided separately from the first mount section and is detachably [attached] *attachable* to any one of a plurality of types of interchangeable lenses of which methods of controlling a diaphragm are different from each other; and

an accessory control section [that controls] *configured, in response to a common control command receivable from the camera body, to control the diaphragm of one of the plurality of different types of interchangeable [lens in response to a common control command which is received from the camera body regardless of the type of the interchangeable lens mounted on the second mount section] lenses by physically manipulating an interlocking mechanism of the adapter and to control the diaphragm of another of the plurality of different types of interchangeable lenses by way of electronic communication with the other lens.*

2. The adapter according to claim 1, wherein the accessory control section [changes] *is configured to change a method of driving the diaphragm into a method of driving the diaphragm compatible with [the] a said interchangeable lens[, which is mounted on the second mount section, on the basis of] based on lens type information [which] that indicates the type of the said interchangeable lens.*

3. The adapter according to claim 2, further comprising a first driving section that generates a driving force for driving the diaphragm,

wherein the accessory control section *is configured to:*

[selects, on the basis of] *select, based on the lens type information, either one of the first driving section and a second driving section that is built into the interchangeable lens and [generates] generate a driving force for driving the diaphragm, and*

[controls] *control the driving force of the one driving section selected.*

4. The adapter according to claim 3,

wherein the first driving section includes:

the interlocking mechanism, which is a diaphragm interlocking mechanism portion that is [moved] movable to a position corresponding to an aperture diameter of the diaphragm [provided] in the said interchangeable lens, and

a diaphragm interlocking mechanism driving portion that moves the position of the diaphragm interlocking mechanism portion, and

wherein the accessory control section [controls] *is configured to control the diaphragm interlocking mechanism driving portion so as to thereby move the diaphragm interlocking mechanism portion.*

5. The adapter according to claim [2] 3, wherein when the said interchangeable lens has an optical system control portion that controls an aperture diameter of the diaphragm provided in the interchangeable lens by driving the second driving section, the accessory control section [controls] *is*

85

configured to control the optical system control portion in response to the *common* control command.

6. A camera system comprising:
 an adapter according to claim 1;
 the camera body mounted on the first mount section; and
 [the] a said interchangeable lens mounted on the second
 mount section.

7. A non-transitory computer-readable medium storing an adapter control program for controlling operations of an adapter control section installed in an adapter including a first mount section that is detachably [attached] attachable to a camera body and a second mount section that is provided separately from the first mount section and is detachably [attached] attachable to any one of a plurality of types of interchangeable lenses of which methods of controlling a diaphragm are different from each other, the adapter control program comprising instructions for:

in response to a common control command receivable from the camera body, controlling [a] the diaphragm of [the interchangeable lens in response to a common control command, which is received from the camera body, regardless of the type of the interchangeable lens mounted on the second mount section] one of the plurality of different types of interchangeable lenses by physically manipulating an interlocking mechanism of the adapter and controlling the diaphragm of another of the plurality of different types of interchangeable lenses by way of electronic communication with the other lens.

8. An accessory comprising:
 a first mount that is detachably attachable to a camera body;

a second mount that is detachably and alternately attachable to a first interchangeable lens and to a second interchangeable lens of a different type than the first interchangeable lens, each of the first and second lenses having a diaphragm; and

a controller configured to perform, based on a diaphragm control signal receivable from the camera body, a first diaphragm control by physically manipulating an interlocking mechanism of the accessory if the first interchangeable lens is attached to the second mount and a second diaphragm control by way of electronic communication with the lens if the second interchangeable lens is attached to the second mount.

9. The accessory according to claim 8, wherein the interlocking mechanism is part of an actuator for moving the diaphragm of the first interchangeable lens, and

if the first interchangeable lens is attached to the second mount, the controller is configured to control the actuator by the diaphragm control signal receivable from the camera body, and if the second interchangeable lens is attached to the second mount, the controller is configured to transmit to the second interchangeable lens the diaphragm control signal receivable from the camera body.

10. The accessory according to claim 9, wherein the interlocking mechanism is a lever for moving the diaphragm of the first interchangeable lens; and the controller is configured to move the lever based on the diaphragm control signal receivable from the camera body if the first interchangeable lens is attached to the second mount.

11. The accessory according to claim 10, wherein if the first interchangeable lens is mounted to the second mount, the controller is configured to move the lever

86

such that an aperture value of the diaphragm of the first interchangeable lens is made to be an aperture value set in the camera body.

12. The accessory according to claim 8, wherein the interlocking mechanism is a lever; the accessory further comprises an actuator that moves the lever, and

if the first interchangeable lens is attached to the second mount, the controller is configured to control the actuator by the diaphragm control signal receivable from the camera body and, if the second interchangeable lens is attached to the second mount, the controller is configured to transmit to the second interchangeable lens the diaphragm control signal receivable from the camera body.

13. The accessory according to claim 9, wherein the actuator is configured to be supplied with electrical power from the camera body.

14. The accessory according to claim 9, wherein, if the second interchangeable lens is attached to the second mount, the controller is configured to transmit to the second interchangeable lens, based on the diaphragm control signal receivable from the camera body, a signal for controlling the diaphragm of the second interchangeable lens.

15. The accessory according to claim 14, further comprising:

a communication section configured to communicate with the second interchangeable lens attachable to the second mount,

wherein, if the second interchangeable lens is attached to the second mount, and after the diaphragm control signal is received from the camera body, the controller is configured to transmit to the second interchangeable lens via the communication section a signal for controlling an actuator that drives the diaphragm of the second interchangeable lens.

16. The accessory according to claim 8, wherein the controller is configured to perform the first diaphragm control or the second diaphragm control based on interchangeable lens information receivable from the first interchangeable lens or the second interchangeable lens if attached to the second mount.

17. The accessory according to claim 16, further comprising:

a communication section configured to communicate with the first interchangeable lens or the second interchangeable lens attachable to the second mount, wherein the controller is configured to perform the first diaphragm control or the second diaphragm control based on the interchangeable lens information, which is receivable by the communication section.

18. The accessory according to claim 17, wherein the communication section is configured to receive from an interchangeable lens attachable to the second mount information regarding whether it is (i) the first interchangeable lens having a lever that moves interlockedly with the diaphragm or (ii) the second interchangeable lens having an actuator that drives the diaphragm.

19. The accessory according to claim 17, wherein the communication section is configured to receive from an interchangeable lens attachable to the second mount at least one of (i) information regarding a full-aperture *F* value of the interchangeable lens or (ii) information regarding whether the interchangeable lens performs an anti-vibration function.

20. The accessory according to claim 10, further comprising:

a detector that detects a position of the lever,

wherein the controller is configured to transmit to the camera body information regarding the position of the lever detected by the detector. 5

21. An accessory that detachably attaches to a camera body, the accessory comprising:

a mount that is detachably and alternately attachable to a first interchangeable lens and to a second interchangeable lens of a different type than the first interchangeable lens, each of the first and second interchangeable lenses being provided with a diaphragm; and 10

a controller configured to perform, based on a diaphragm control signal receivable from the camera body, a first diaphragm control by physically manipulating an interlocking mechanism of the accessory if the first interchangeable lens is attached to the mount and a second diaphragm control way of electronic communication with the lens if the second interchangeable lens is attached to the mount. 15 20

* * * * *