



US00RE47074E

(19) **United States**
(12) **Reissued Patent**
Hammarwall et al.

(10) **Patent Number:** **US RE47,074 E**
(45) **Date of Reissued Patent:** **Oct. 2, 2018**

(54) **PARAMETERIZED CODEBOOK WITH
SUBSET RESTRICTIONS FOR USE WITH
PRECODING MIMO TRANSMISSIONS**

(71) Applicant: **Telefonaktiebolaget L M Ericsson
(publ)**, Stockholm (SE)

(72) Inventors: **David Hammarwall**, Vallentuna (SE);
George Jöngren, Sundbyberg (SE)

(73) Assignee: **TELEFONAKTIEBOLAGET LM
ERICSSON (PUBL)**, Stockholm (SE)

(21) Appl. No.: **15/044,998**

(22) Filed: **Feb. 16, 2016**

Related U.S. Patent Documents

Reissue of:

(64) Patent No.: **8,811,524**
Issued: **Aug. 19, 2014**
Appl. No.: **14/183,971**
Filed: **Feb. 19, 2014**

U.S. Applications:

(63) Continuation of application No. 13/903,442, filed on
May 28, 2013, now Pat. No. 8,687,678, which is a
(Continued)

(51) **Int. Cl.**
H04B 7/02 (2018.01)
H04L 1/02 (2006.01)
(Continued)

(52) **U.S. Cl.**
CPC **H04B 7/0634** (2013.01); **H04B 7/0456**
(2013.01); **H04B 7/0465** (2013.01);
(Continued)

(58) **Field of Classification Search**
None
See application file for complete search history.

(56) **References Cited**

U.S. PATENT DOCUMENTS

8,199,836 B2 * 6/2012 Khojastepour et al. 375/260
8,582,627 B2 11/2013 Hammarwall et al.
(Continued)

FOREIGN PATENT DOCUMENTS

CN 101529736 A 9/2009
CN 101578774 A 11/2009
(Continued)

OTHER PUBLICATIONS

3GPP. "Further Refinements of Feedback Framework." 3GPP TSG-
RAN WG1 #60bis, R1-101742, Beijing, China, Apr. 12-16, 2010,
pp. 1-8.

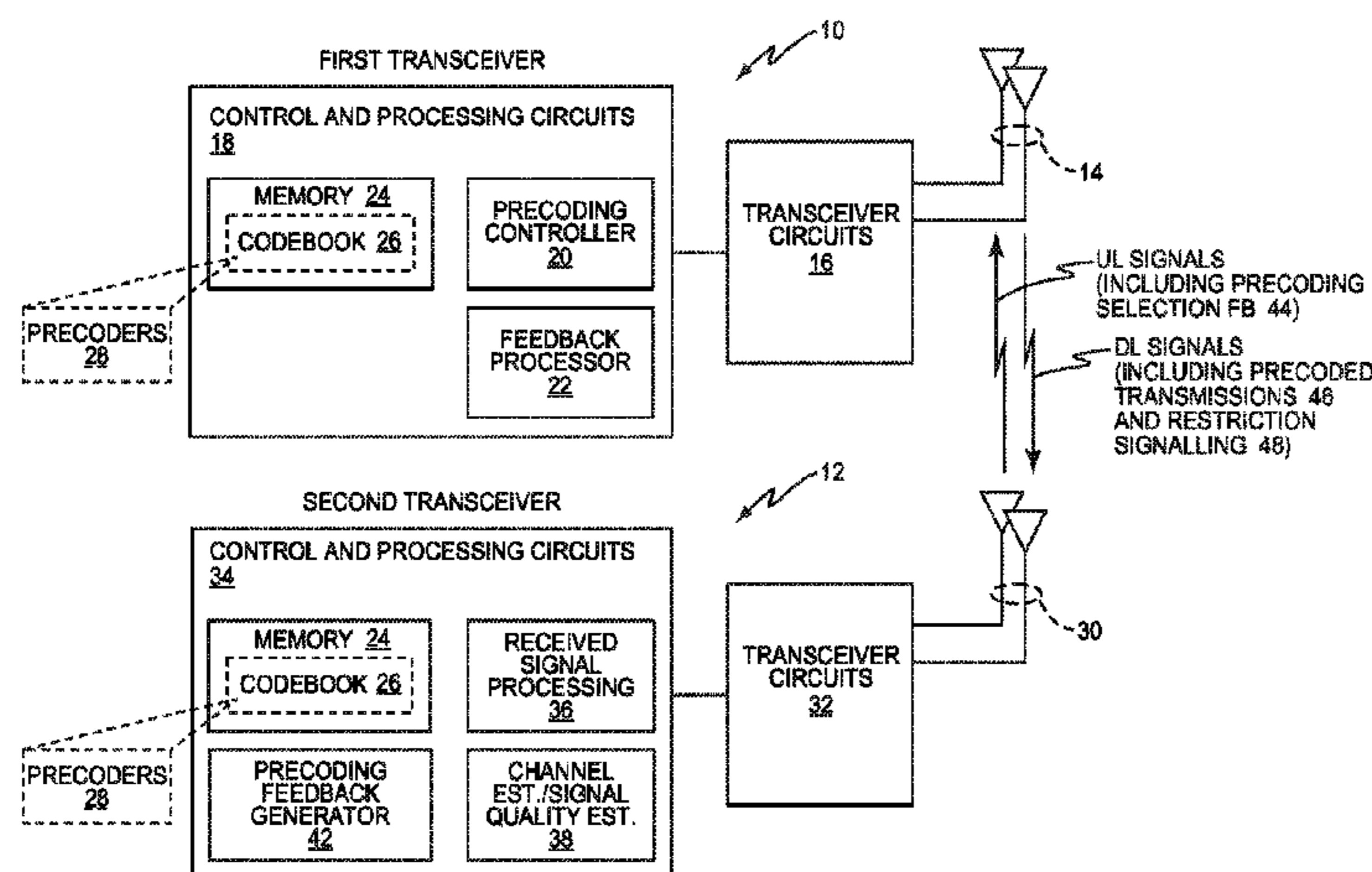
(Continued)

Primary Examiner — John M Hotaling
(74) *Attorney, Agent, or Firm* — Coats & Bennett, PLLC

(57) **ABSTRACT**

One aspect of the teachings herein relates to signaling
codebook restrictions, to restrict the precoder recommenda-
tions being fed back from a remote transceiver, so that
precoder selections made by the remote receiver are
restricted to permitted subsets of overall precoders within a
defined set of overall precoders, or to permitted subsets
within larger sets of conversion precoders and tuning pre-
coders, for the case where the overall precoders are repre-
sented in factorized form by conversion and tuning pre-
coders. As a non-limiting example, these teachings
advantageously provide for precoder restrictions in LTE or
LTE-Advanced networks, where ongoing development tar-
gets the use of larger, richer sets of precoders, and where the
disclosed mechanisms for determining, signaling, and

(Continued)



responding to subset restrictions provide significant operational advantages.

2012/0224649 A1* 9/2012 Khojastepour et al. 375/260
 2014/0044211 A1 2/2014 Hammarwall et al.
 2014/0269577 A1 9/2014 Hammarwall et al.

32 Claims, 6 Drawing Sheets

Related U.S. Application Data

continuation of application No. 13/080,740, filed on Apr. 6, 2011, now Pat. No. 8,472,547.

(60) Provisional application No. 61/321,679, filed on Apr. 7, 2010.

(51) **Int. Cl.**

H04B 7/04 (2017.01)
H04B 7/06 (2006.01)
H04L 5/00 (2006.01)
H04W 72/04 (2009.01)
H04B 7/0456 (2017.01)
H04B 7/10 (2017.01)

(52) **U.S. Cl.**

CPC *H04B 7/0469* (2013.01); *H04B 7/0478* (2013.01); *H04B 7/065* (2013.01); *H04B 7/0639* (2013.01); *H04B 7/0647* (2013.01); *H04B 7/10* (2013.01); *H04L 5/0044* (2013.01); *H04W 72/0413* (2013.01)

(56) **References Cited**

U.S. PATENT DOCUMENTS

8,605,809 B2 12/2013 Jongren et al.
 8,724,543 B2 5/2014 Jöngren et al.
 8,760,994 B2 6/2014 Wang et al.
 8,767,681 B2 7/2014 Hammarwall et al.
 8,804,867 B2 8/2014 Jongren et al.
 8,811,506 B2 8/2014 Taoka et al.
 8,842,773 B2 9/2014 Jongren et al.
 2007/0160011 A1 7/2007 Kim et al.
 2007/0191066 A1 10/2007 Khojastepour et al.
 2007/0242770 A1 10/2007 Kim et al.
 2008/0292013 A1 11/2008 Varadarajan et al.
 2009/0006518 A1 1/2009 Rensburg et al.
 2009/0052354 A1 2/2009 Wu et al.
 2009/0059844 A1 3/2009 Ko et al.
 2009/0066577 A1 3/2009 Kim et al.
 2009/0067525 A1 3/2009 Kim et al.
 2009/0274225 A1 11/2009 Khojastepour et al.
 2010/0027713 A1 2/2010 Huang et al.
 2010/0111211 A1 5/2010 Han et al.
 2010/0304691 A1 12/2010 Goransson et al.
 2011/0080901 A1 4/2011 Lin et al.
 2011/0122968 A1* 5/2011 Jongren et al. 375/296
 2011/0216846 A1 9/2011 Lee et al.
 2011/0249637 A1* 10/2011 Hammarwall et al. 370/329
 2011/0249712 A1* 10/2011 Hammarwall et al. 375/220

FOREIGN PATENT DOCUMENTS

CN 101651642 A 2/2010
 CN 101675602 A 3/2010
 EP 1353452 A2 10/2003
 EP 2169845 A1 3/2010
 RU 2211536 C2 8/2003
 RU 2238611 C1 10/2004
 RU 2305898 C2 9/2007
 RU 2367096 C2 9/2009
 WO 9907090 A1 2/1999
 WO 2004075448 A1 9/2004
 WO 2005011147 A1 2/2005
 WO 2006041891 A2 4/2006
 WO 2007051192 A2 5/2007
 WO 2007092539 A2 8/2007
 WO 2008086239 A1 7/2008
 WO 2008133582 A2 11/2008
 WO 2008155707 A1 12/2008
 WO 2008156067 A1 12/2008
 WO 2009002269 A1 12/2008
 WO 2009/025619 A2 2/2009
 WO 2009023686 A2 2/2009
 WO 2009023700 A2 2/2009
 WO 2010002325 A1 1/2010

OTHER PUBLICATIONS

3GPP. "Possible Refinement on 8Tx Codebook Design." 3GPP TSG RAN WG1 60bis, R1-102104, Beijing, China, Apr. 12-16, 2010, pp. 1-7.
 3GPP. "CQI and MIMO Feedback for LTE" 3GPP TSG RAN WG1 #50-bis Meeting, R1-074356, Shanghai, China, Oct. 8-12, 2007, pp. 1-2.
 3GPP. "Persistent CQI/PMI/Rank Reporting on PUCCH/PUSCH." 3GPP TSG RAN WG1 Meeting #52, R1-080765, Sorrento, Italy, Feb. 11-15, 2008, pp. 1-2.
 3GPP. "Multiple Granularity Feedback Design for LTE-A." 3GPP TSG-RAN WG1 #60, R1-101399, San Francisco, CA, USA, Feb. 22-26, 2010, pp. 1-9.
 3GPP. "Precoding Codebook Design for 4 Node-B Antenna." 3GPP TSG RAN WG1 48bis, R1-071798, St. Julian's, Malta, Mar. 26-30, 2007, pp. 1-11.
 3GPP. "Configuration of Feedback Mode for MIMO Transmission." 3GPP TSG RAN WG1 Meeting #60, R1-101287, San Francisco, CA, USA, Feb. 22-26, 2010, pp. 1-2.
 3GPP. "Way Forward for MU-MIMO Design." 3GPP TSG RAN WG1 Meeting #49bis, R1-073100, Orlando, FL, USA, Jun. 25-29, 2007, pp. 1-4.
 3GPP. "PMI-Based Multi-Granular Feedback for SU/MU-MIMO Operation." 3GPP TSG-RAN WG1 #60, R1-100852, San Francisco, CA, USA, Feb. 22-26, 2010, pp. 1-5.
 3GPP. "Views on Codebook Design for Downlink 8Tx MIMO." 3GPP TSG RAN WG1 Meeting #60, R1-101219, San Francisco, USA, Feb. 22-26, 2010, pp. 1-10.

* cited by examiner

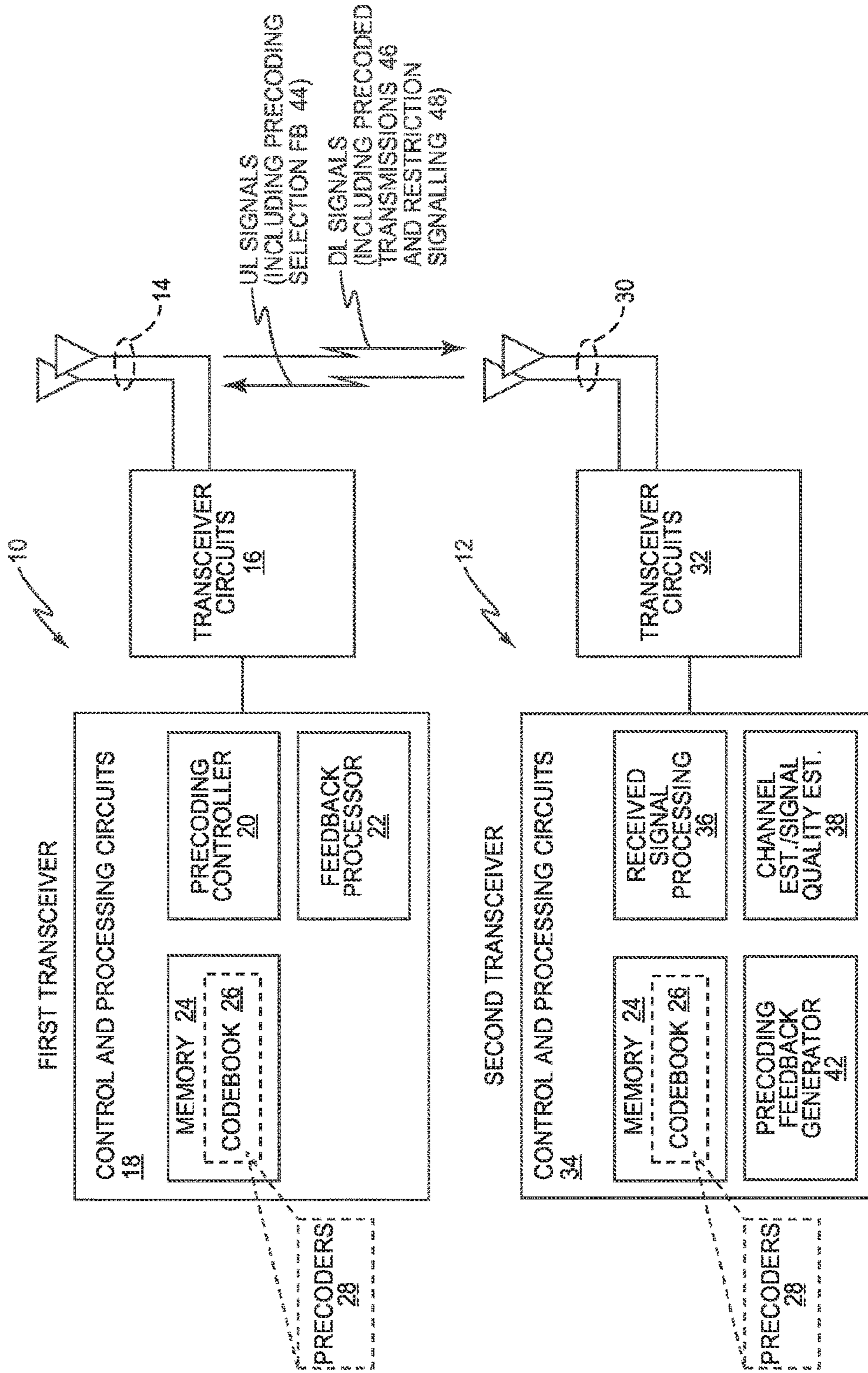


FIG. 1

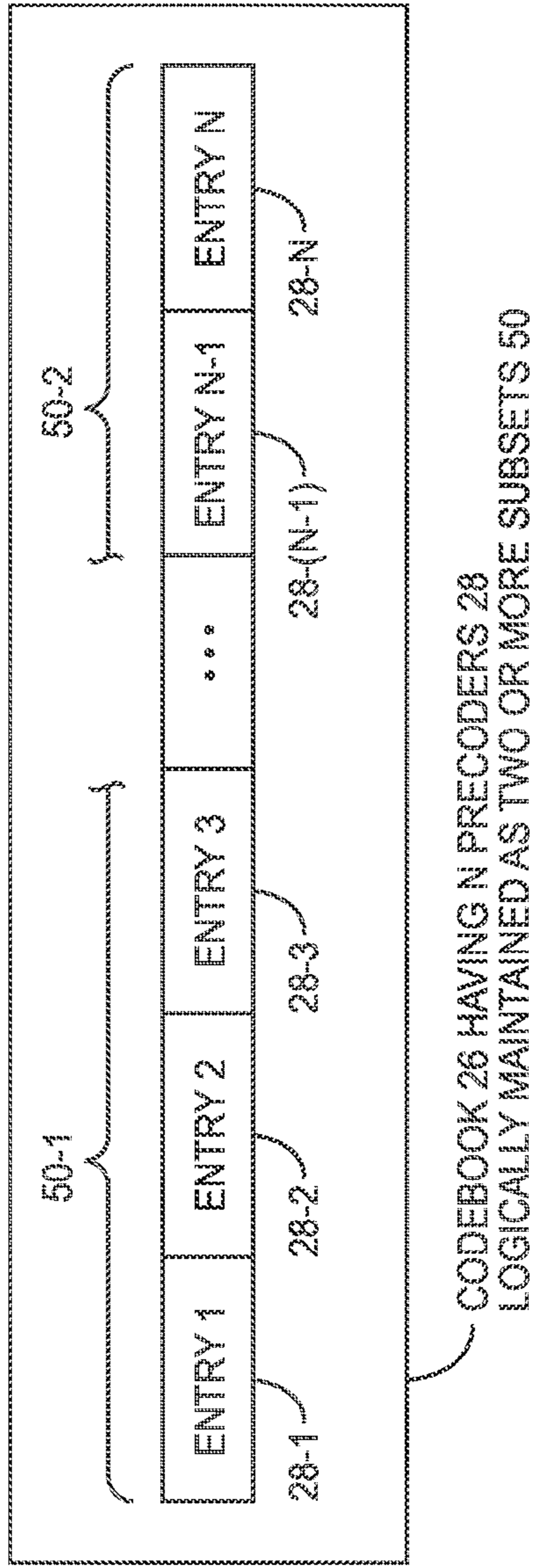


FIG. 2

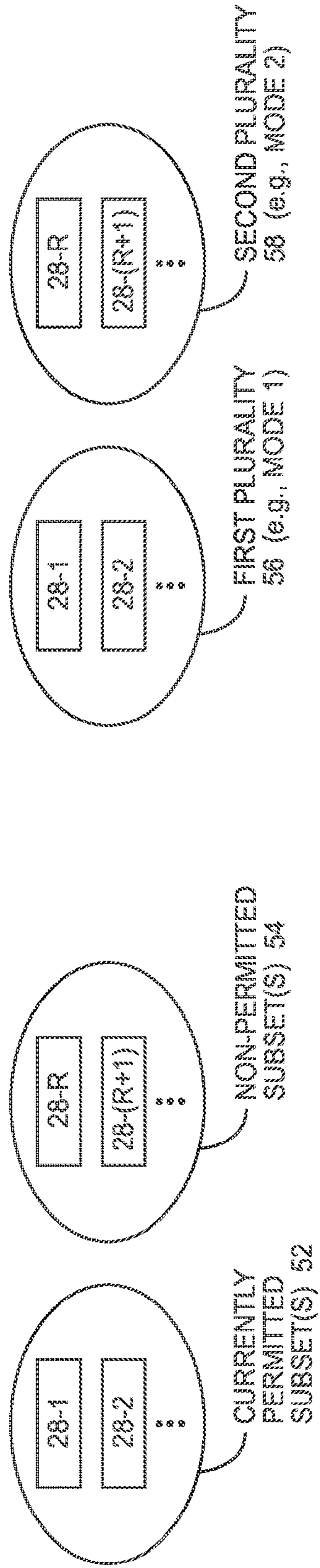


FIG. 3

FIG. 4

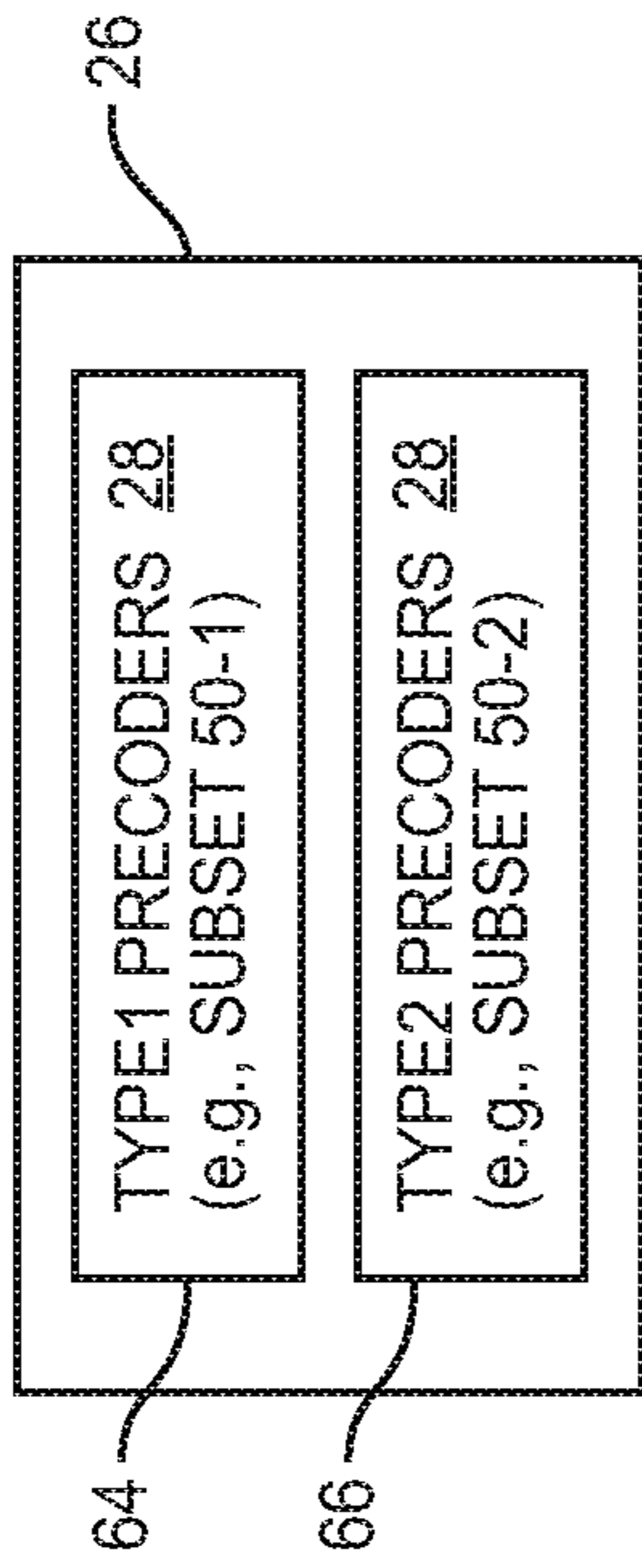


FIG. 6

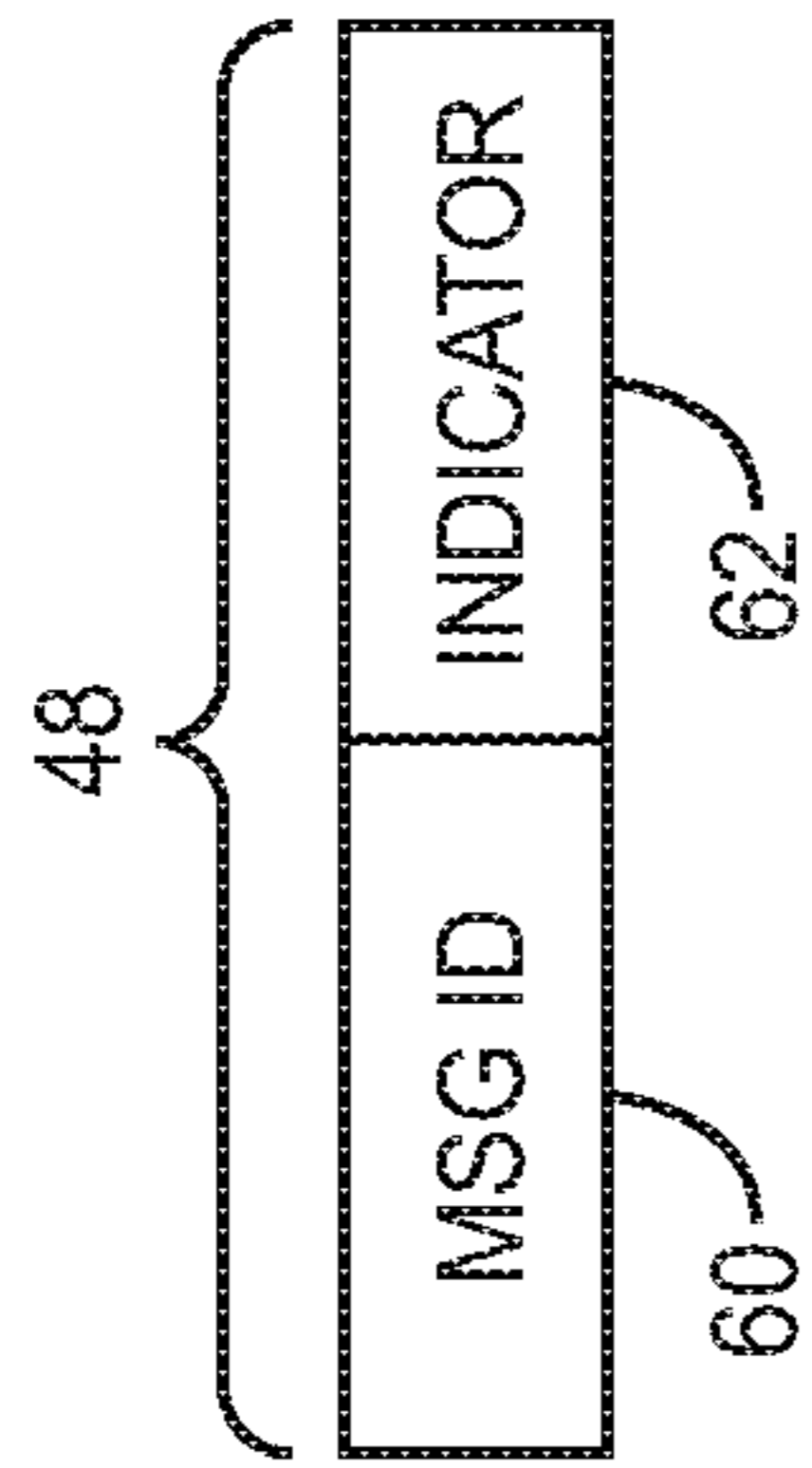


FIG. 5

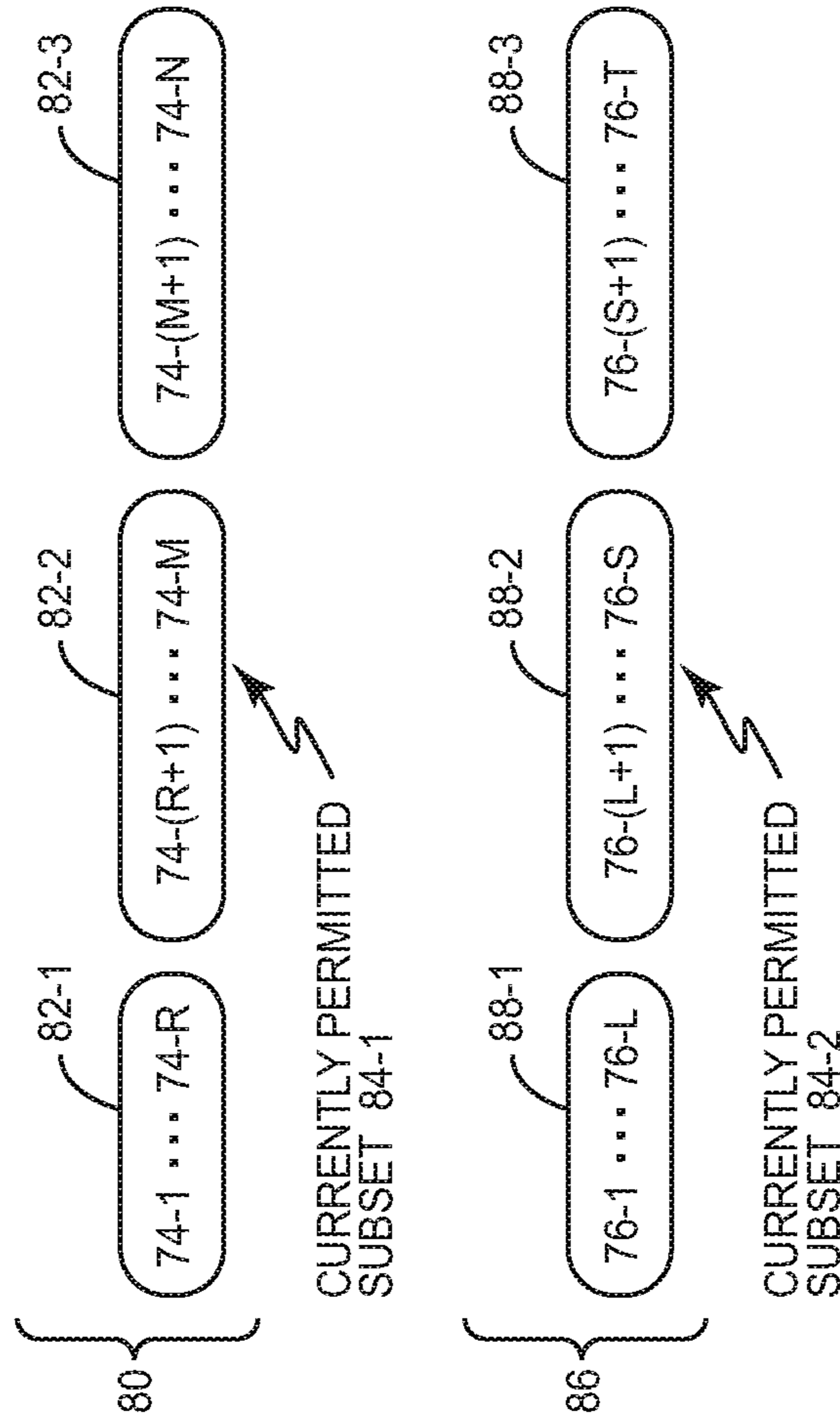


FIG. 8

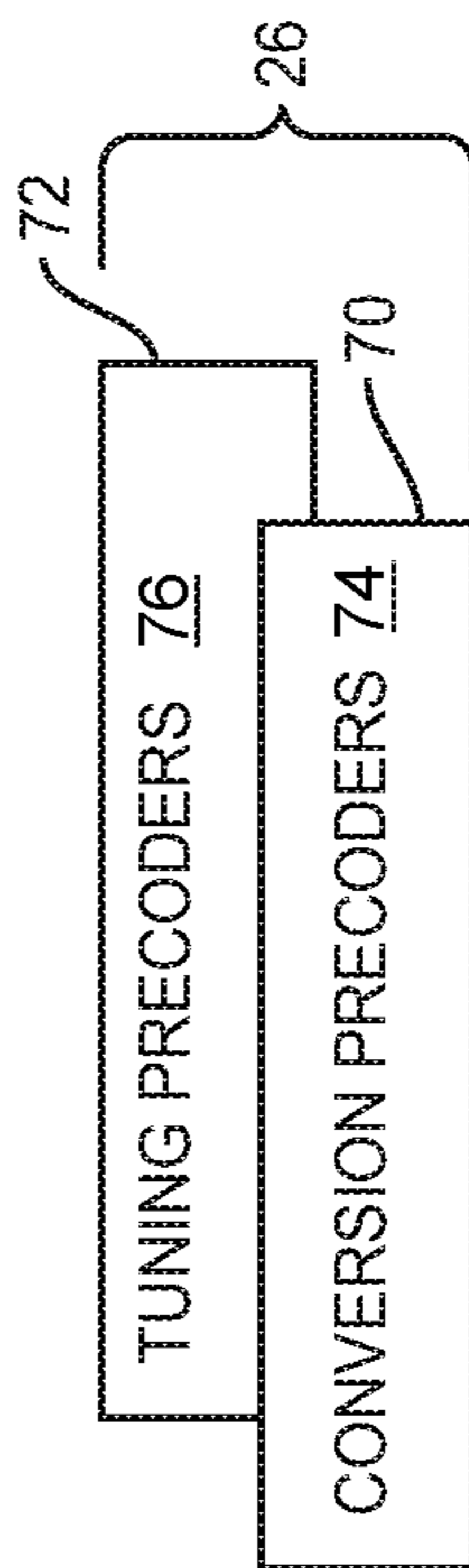


FIG. 7

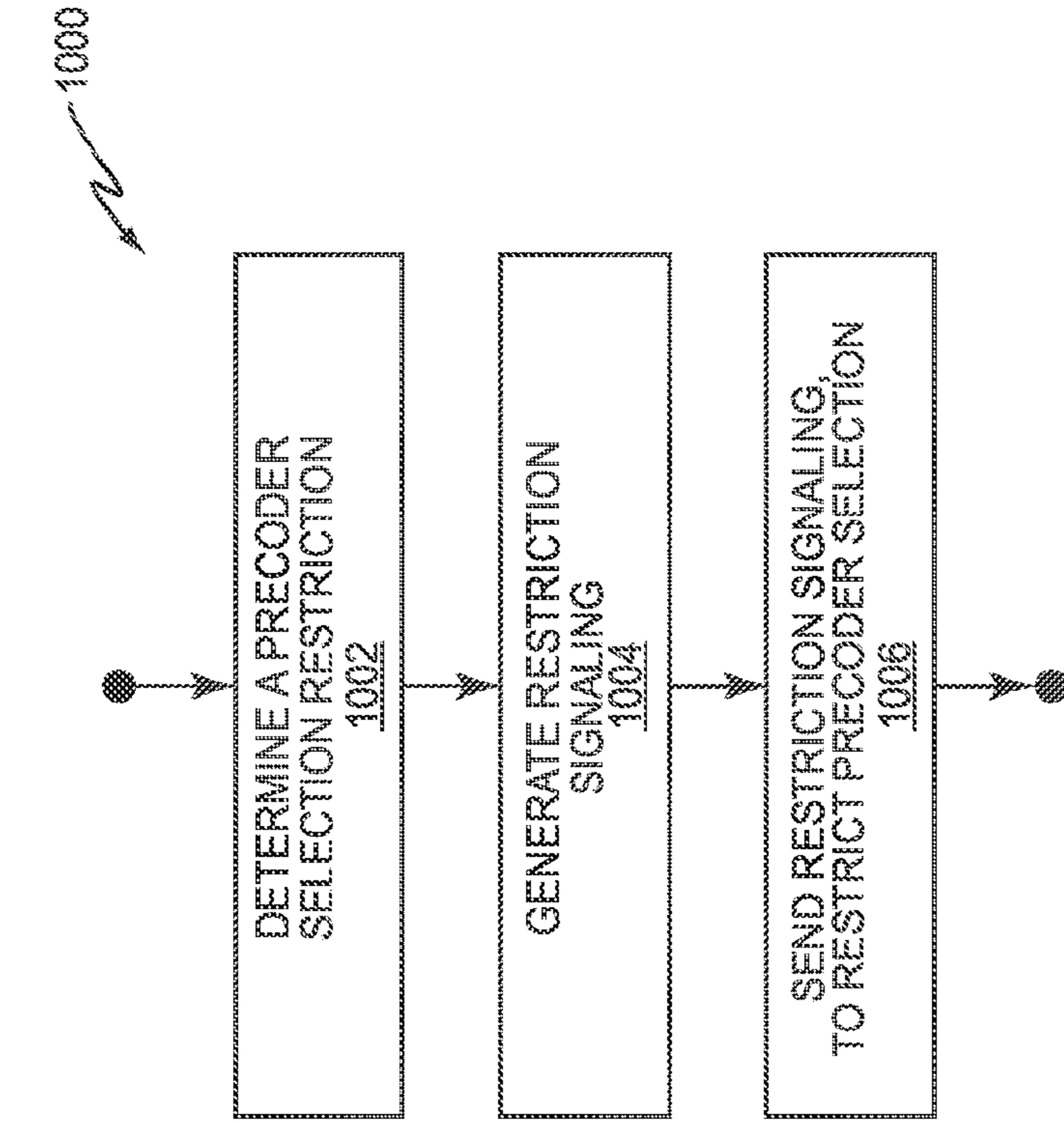


FIG. 10

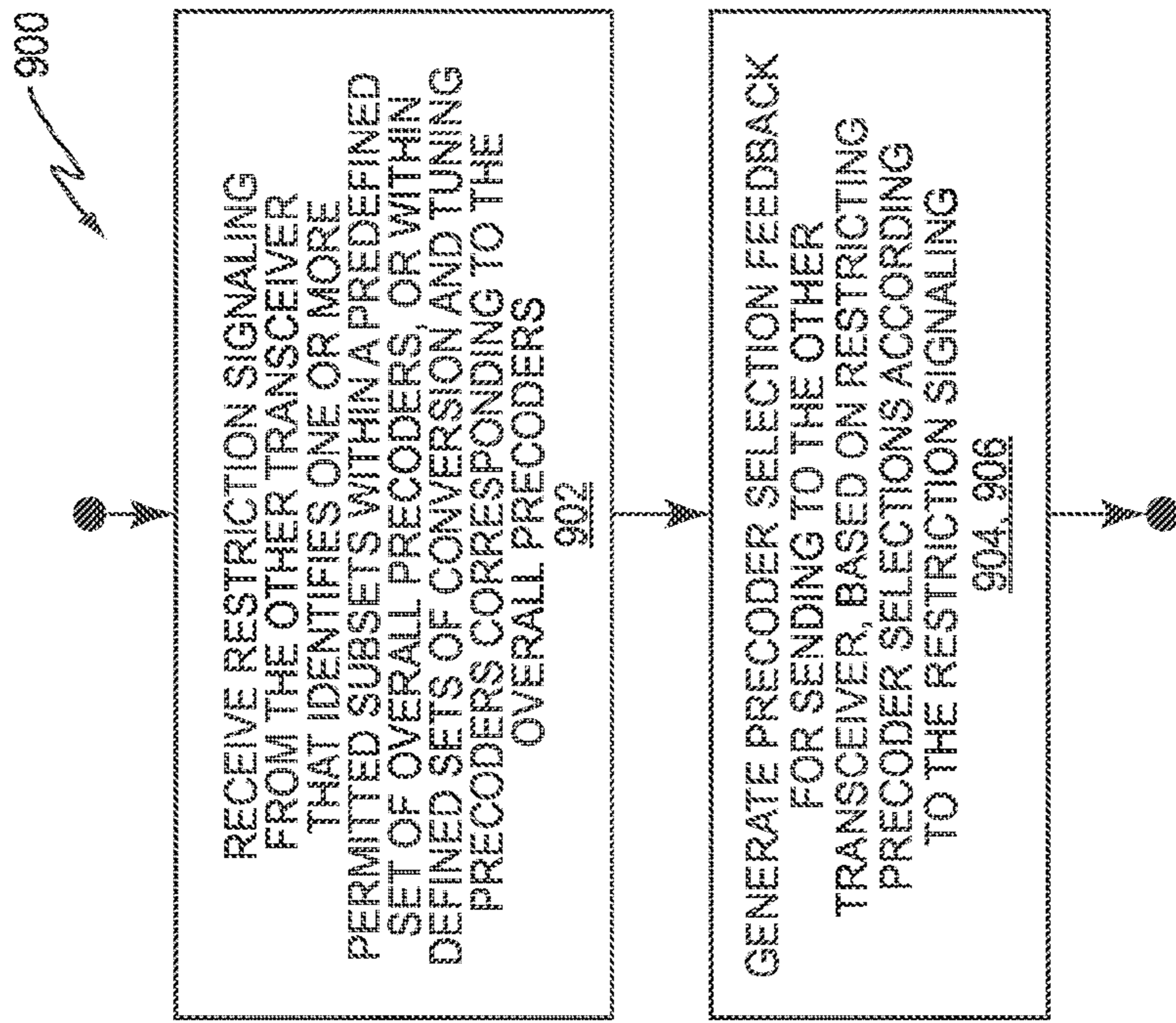


FIG. 9

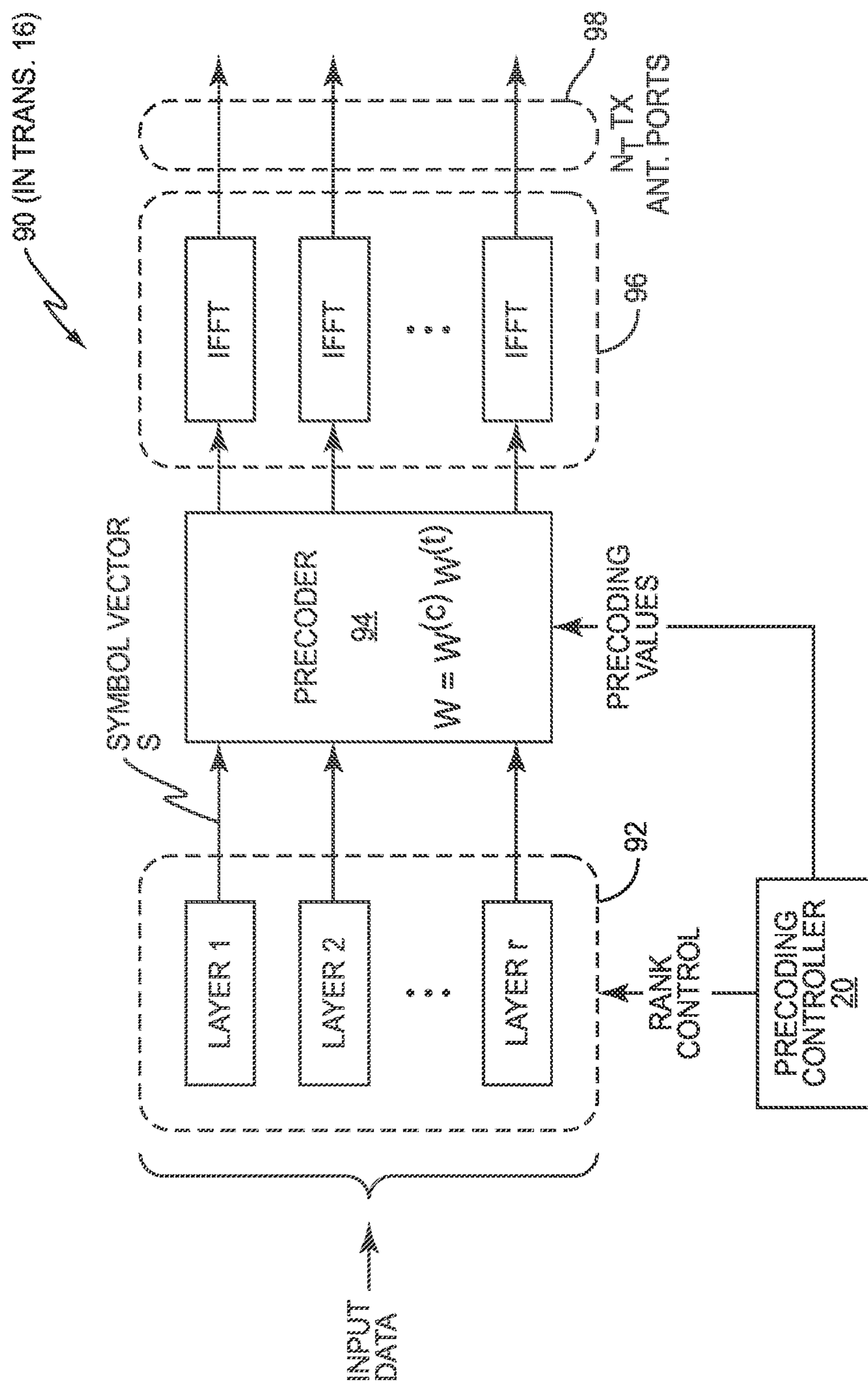


FIG. 11

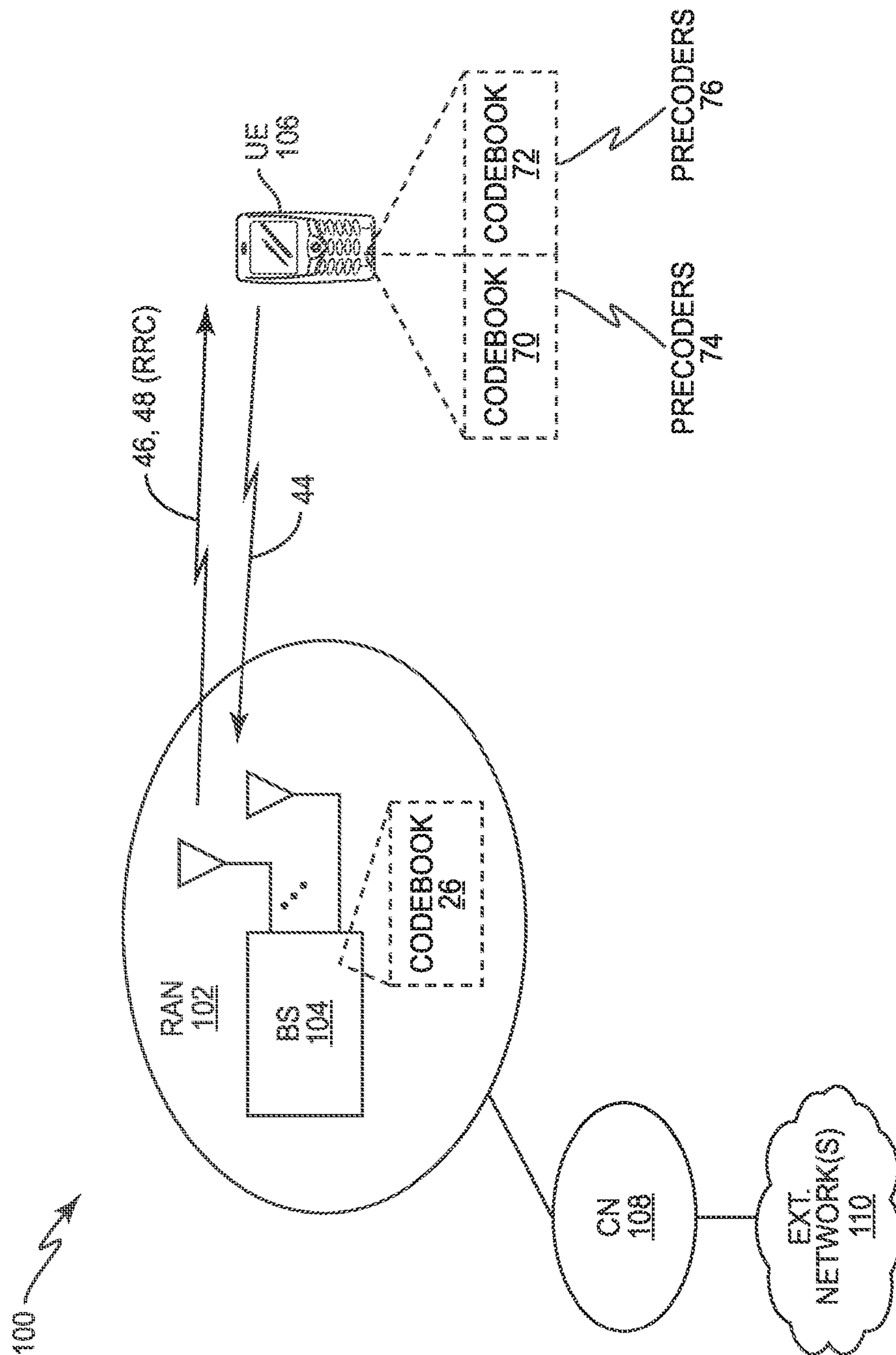


FIG. 12

**PARAMETERIZED CODEBOOK WITH
SUBSET RESTRICTIONS FOR USE WITH
PRECODING MIMO TRANSMISSIONS**

Matter enclosed in heavy brackets [] appears in the original patent but forms no part of this reissue specification; matter printed in italics indicates the additions made by reissue; a claim printed with strikethrough indicates that the claim was canceled, disclaimed, or held invalid by a prior post-patent action or proceeding.

RELATED APPLICATIONS

The present application is a continuation of U.S. patent application Ser. No. 13/903,442, filed on May 28, 2013, which is a continuation of U.S. patent application Ser. No. 13/080,740, filed on Apr. 6, 2011, which claims benefit of U.S. Provisional Patent Application No. 61/321,679, filed on 7 Apr. 2010, which are incorporated herein by reference.

FIELD OF THE INVENTION

The teachings herein generally relate to codebooks and precoding, and particularly relate to the use of parameterized codebook subsets, such as may be used to restrict codebook selections for different Multiple-Input-Multiple-Output (MIMO) modes of operation.

BACKGROUND

Multi-antenna techniques can significantly increase the data rates and reliability of a wireless communication system. The performance is in particular improved if both the transmitter and the receiver are equipped with multiple antennas, which results in a multiple-input multiple-output (MIMO) communication channel. Such systems and related techniques are commonly referred to as MIMO.

The 3GPP LTE standard is currently evolving with enhanced MIMO support. A core component in LTE is the support of MIMO antenna deployments and MIMO related techniques. A current working assumption in LTE-Advanced is the support of an 8-layer spatial multiplexing mode for 8 transmit (Tx) antennas, with the possibility of channel dependent precoding. The spatial multiplexing mode provides high data rates under favorable channel conditions.

With spatial multiplexing, an information carrying symbol vector s is multiplied by an $N_T \times r$ precoder matrix $W_{N_T \times r}$, which serves to distribute the transmit energy in a subspace of the N_T (corresponding to N_T antenna ports) dimensional vector space. The precoder matrix is typically selected from a codebook of possible precoder matrices, and typically indicated by means of a precoder matrix indicator (PMI). The PMI value specifies a unique precoder matrix in the codebook for a given number of symbol streams.

If the precoder matrix is confined to have orthonormal columns, then the design of the codebook of precoder matrices corresponds to a Grassmannian subspace packing problem. In any case, The r symbols in the symbol vector s each correspond to a layer and r is referred to as the transmission rank. In this way, spatial multiplexing is achieved because multiple symbols can be transmitted simultaneously over the same time/frequency resource element (TFRE). The number of symbols r is typically adapted to suit the current propagation channel properties.

LTE uses OFDM in the downlink (and DFT precoded OFDM in the uplink) and hence the received $N_R \times 1$ vector y_n

for a certain TFRE on subcarrier n (or alternatively data TFRE number n) is thus modeled by

$$y_n = H_n W_{N_T \times r} s_n + e_n \quad (1)$$

where e_n is a noise/interference vector obtained as realizations of a random process. The precoder, $W_{N_T \times r}$, can be a wideband precoder, which is constant over frequency, or frequency selective.

The precoder matrix is often chosen to match the characteristics of the $N_R \times N_T$ MIMO channel matrix H , resulting in so-called channel dependent precoding. This is also commonly referred to as closed-loop precoding and essentially tries to focus the transmit energy into a subspace which is strong in the sense of conveying much of the transmitted energy to the targeted receiver, e.g., a user equipment (UE). In addition, the precoder matrix also may be selected with the goal of orthogonalizing the channel, meaning that after proper linear equalization at the UE or other targeted receiver, the inter-layer interference is reduced.

In closed-loop precoding for the LTE downlink in particular, the UE transmits, based on channel measurements in the forward link (downlink), recommendations to the eNodeB of a suitable precoder to use. A single precoder that is supposed to cover a large bandwidth (wideband precoding) may be fed back. It also may be beneficial to match the frequency variations of the channel and instead feed back a frequency-selective precoding report, e.g. several precoders, one per frequency subband. This approach is an example of the more general case of channel state information (CSI) feedback, which also encompasses feeding back entities other than precoders, to assist the eNodeB in adapting subsequent transmissions to the UE. Such other information may include channel quality indicators (CQIs) as well as a transmission rank indicator (RI).

For the LTE uplink, the use of closed-loop precoding means that the eNodeB selects precoder(s) and the transmission rank. The eNodeB may thereafter signal the selected precoder that the UE is supposed to use or alternatively apply precoding to the reference signals used for channel estimation in the UE, thus avoiding the need of explicit signaling. The eNodeB also may use certain bitmap-based signaling to indicate the particular precoders within a codebook that the UE is restricted to using, see, e.g., Section 7.2 of the 3GPP Technical Specification, TS 36.213. One disadvantage of such signaling is the use of bitmaps to indicate allowed or disallowed precoders. Codebooks with large numbers of precoders require long bitmaps, and the signaling overhead associated with transmitting long bitmaps becomes prohibitive.

In any case, the transmission rank, and thus the number of spatially multiplexed layers, is reflected in the number of columns of the precoder. Efficiency and transmission performance are improved by selecting a transmission rank that matches the current channel properties. Often, the device selecting precoders is also responsible for selecting the transmission rank. One approach to transmission rank selection involves evaluating a performance metric for each possible rank and picking the rank that optimizes the performance metric. These kinds of calculations are often computationally burdensome and it is therefore an advantage if calculations can be re-used across different transmission ranks. Re-use of calculations is facilitated by designing the precoder codebook to fulfill the so-called rank nested property. This means that the codebook is such that there always exists a column subset of a higher rank precoder that is also a valid lower rank precoder.

The 4-Tx House Holder codebook for the LTE downlink is an example of a codebook that fulfills the rank nested property. The property is not only useful for reducing computational complexity, but is also important in simplifying overriding a rank selection at a device other than the one that has chosen the transmission rank. Consider for example the LTE downlink where the UE selects the precoder and rank, and conditioned on those choices, computes a CQI representing the quality of the effective channel formed by the selected precoder and the channel. Since the CQI thus reported by the UE is conditioned on a certain transmission rank, performing rank override at the eNodeB side makes it difficult to know how to adjust the reported CQI to take the new rank into account.

However, if the precoder codebook fulfills the rank nested property, overriding the rank to a lower rank precoder is possible by selecting a column subset of the original precoder. Since the new precoder is a column subset of the original precoder, the CQI tied to the original precoder gives a lower bound on the CQI if the new reduced rank precoder is used. Such bounds can be exploited for reducing the CQI errors associated with rank override, thereby improving the performance of the link adaptation.

Another issue to take into account when designing precoders is to ensure an efficient use of the transmitter's power amplifiers (PAs). Usually, power cannot be borrowed across antennas because, in general, there is a separate PA for each antenna. Hence, for maximum use of the PA resources, it is important that the same amount of power is transmitted from each antenna, i.e., a precoder matrix W should fulfill

$$[WW^*]_{mm} = \kappa, \forall m. \quad (2)$$

Another equivalent way of formulating this is to notice that the rows of W all need to have the same l^2 -norm, where the l^2 -norm of a row x with elements x_k is defined as

$$\sqrt{\sum_k |x_k|^2}.$$

Thus, it is beneficial from a PA utilization point of view to enforce this constraint when designing precoder codebooks and we hence refer to (2) as the PA utilization property.

Full power utilization is also ensured by the so-called constant modulus property, which means that all scalar elements in a precoder have the same norm (modulus). It is easily verified that a constant modulus precoder also fulfills the full PA utilization constraint in (2) and hence the constant modulus property constitutes a sufficient but not necessary condition for full PA utilization.

As a further aspect of the LTE downlink and associated transmitter adaptation, the UE reports CQI and precoders to the eNodeB via a feedback channel. The feedback channel is either on the Physical Uplink Control Channel (PUCCH) or on the Physical Uplink Shared Channel (PUSCH). The former is a rather narrow bit pipe where CSI feedback is reported in a semi-statically configured and periodic fashion. On the other hand, reporting on PUSCH is dynamically triggered as part of the uplink grant. Thus, the eNodeB can schedule CSI transmissions in a dynamic fashion. Further, in contrast to CSI reporting on PUCCH, where the number of physical bits is currently limited to 20, CSI reports on PUSCH can be considerably larger. Such a division of resources makes sense from the perspective that semi-statically configured resources such as PUCCH cannot adapt to quickly changing traffic conditions, thus making it important to limit their overall resource consumption.

More generally, maintaining low signaling overhead remains an important design target in wireless systems. In this regard, precoder signaling can easily consume a large portion of the available resources unless the signaling protocol is carefully designed. The structure of possible precoders and the overall design of the precoder codebook plays an important role in keeping the signaling overhead low. A particularly promising precoder structure involves decomposing the precoder into two matrices, a so-called factorized precoder. The precoder can then be written as a product of two factors

$$W_{N_T \times r} = W_{N_T \times k}^{(c)} W_{k \times r}^{(t)}, \quad (3)$$

where an $N_T \times k$ conversion precoder $W_{N_T \times k}^{(c)}$ strives for capturing wideband/long-term properties of the channel such as correlation, while a $k \times r$ tuning precoder $W_{k \times r}^{(t)}$ targets frequency-selective/short-term properties of the channel.

Together, the factorized conversion and tuning precoders represent the overall precoder $W_{N_T \times r}$, which is induced by the signaled entities. The conversion precoder is typically, but not necessarily, reported with a coarser granularity in time and/or frequency than the tuning precoder to save overhead and/or complexity. The conversion precoder serves to exploit the correlation properties for focusing the tuning precoder in "directions" where the propagation channel on average is "strong." Typically, this is accomplished by reducing the number of dimensions k covered by the tuning precoder. In other words, the conversion precoder $W_{N_T \times k}^{(c)}$ becomes a tall matrix with a reduced number of columns. Consequently, the number of rows k of the tuning precoder $W_{k \times r}^{(t)}$ is reduced as well. With such a reduced number of dimensions, the codebook for the tuning precoder, which easily consumes most of the signaling resources since it needs to be updated with fine granularity, can be made smaller while still maintaining good performance.

The conversion and the tuning precoders may each have a codebook of their own. The conversion precoder targets having high spatial resolution and thus a codebook with many elements, while the codebook the tuning precoder is selected from needs to be rather small in order to keep the signaling overhead at a reasonable level.

To see how correlation properties are exploited and dimension reduction achieved consider the common case of an array with a total of N_T elements arranged into $N_T/2$ closely spaced cross-poles. Based on the polarization direction of the antennas, the antennas in the closely spaced cross-pole setup can be divided into two groups, where each group is a closely spaced co-polarized Uniform Linear Array (ULA) with $N_T/2$ antennas. Closely spaced antennas often lead to high channel correlation and the correlation can in turn be exploited to maintain low signalling overhead. The channels corresponding to each such antenna group ULA are denoted H_l and H_s , respectively. For convenience in notation, the following equations drop the subscripts indicating the dimensions of the matrices as well as the subscript n . Assuming now that the conversion precoder $W^{(c)}$ has a block diagonal structure,

$$W^{(c)} = \begin{bmatrix} \tilde{W}^{(c)} & 0 \\ 0 & \tilde{W}^{(c)} \end{bmatrix}. \quad (4)$$

The product of the MIMO channel and the overall precoder can then be written as

5

$$\begin{aligned}
HW &= [H_l \ H_r] W^{(c)} W^{(t)} \quad (5) \\
&= [H_l \ H_r] \begin{bmatrix} \tilde{W}^{(c)} & 0 \\ 0 & \tilde{W}^{(c)} \end{bmatrix} W^{(t)} \\
&= [H_l \tilde{W}^{(c)} \ H_r \tilde{W}^{(c)}] \\
&= H_{eff} W^{(t)}
\end{aligned}$$

As seen, the matrix $\tilde{W}^{(c)}$ separately precodes each antenna group ULA, thereby forming a smaller and improved effective channel H_{eff} . If $\tilde{W}^{(c)}$ corresponds to a beamforming vector, the effective channel would reduce to having only two virtual antennas, which reduces the needed size of the codebook used for the second tuning precoder matrix $W^{(t)}$ when tracking the instantaneous channel properties. In this case, instantaneous channel properties are to a large extent dependent upon the relative phase relation between the two orthogonal polarizations.

It is also helpful for a fuller understanding of this disclosure to consider the theory regarding a “grid of beams,” along with Discrete Fourier Transform (DFT) based precoding. DFT based precoder vectors for N_T transmit antennas can be written in the form

$$\begin{aligned}
w_n^{(N_T, Q)} &= [w_{1,n}^{(N_T, Q)} \ w_{2,n}^{(N_T, Q)} \ \dots \ w_{N_T,n}^{(N_T, Q)}]^T \quad (6) \\
w_{m,n}^{(N_T, Q)} &= \exp\left(j \frac{2\pi}{N_T Q} mn\right), \ m = 0, \dots, \\
&N_T - 1, \ n = 0, \dots, \ QN_T - 1,
\end{aligned}$$

where $w_{m,n}^{(N_T, Q)}$ is the phase of the m :th antenna, n is the precoder vector index (i.e., which beam out of the QN_T beams) and Q is the oversampling factor.

For good performance, it is important that the array gain function of two consecutive beams overlaps in the angular domain, so that the gain does not drop too much when going from one beam to another. Usually, this requires an oversampling factor of at least $Q=2$. Thus for N_T antennas, at least $2N_T$ beams needed.

An alternative parameterization of the above DFT based precoder vectors is

$$\begin{aligned}
w_{l,q}^{(N_T, Q)} &= [w_{1, Ql+q}^{(N_T, Q)} \ w_{2, Ql+q}^{(N_T, Q)} \ \dots \ w_{N_T, Ql+q}^{(N_T, Q)}]^T \quad (7) \\
w_{m, Ql+q}^{(N_T, Q)} &= \exp\left(j \frac{2\pi}{N_T} m\left(1 + \frac{q}{Q}\right)\right),
\end{aligned}$$

for $m=0, \dots, N_T-1, l=0, \dots, N_T-1, q=0, 1, \dots, Q-1$, and where l and q together determine the precoder vector index via the relation $n=Ql+q$. This parameterization also highlights that there are Q groups of beams, where the beams within each group are orthogonal to each other. The q :th group can be represented by the generator matrix

$$G_q^{(N_T)} = [w_{0,q}^{(N_T, Q)} \ w_{1,q}^{(N_T, Q)} \ \dots \ w_{N_T-1,q}^{(N_T, Q)}]. \quad (8)$$

By ensuring that only precoder vectors from the same generator matrix are being used together as columns in the same precoder, it is straightforward to form sets of precoder

6

vectors for use in so-called unitary precoding where the columns within a precoder matrix should form an orthonormal set.

Further, to maximize the performance of DFT based precoding, it is useful to center the grid of beams symmetrically around the broad size of the array. Such rotation of the beams can be done by multiplying from the left the above DFT vectors $w_n^{(N_T, Q)}$ with a diagonal matrix W_{rot} having elements

$$[W_{rot}]_{mm} = \exp\left(j \frac{\pi}{QN_T} m\right). \quad (9)$$

The rotation can either be included in the precoder codebook or alternatively be carried out as a separate step where all signals are rotated in the same manner and the rotation can thus be absorbed into the channel from the perspective of the receiver (transparent to the receiver). Henceforth, in discussing DFT precoding herein, it is tacitly assumed that rotation may or may not have been carried out. That is, both alternatives are possible without explicitly having to mention it.

One aspect of the above-described factorized precoder structure relates to lowering the overhead associated with signaling the precoders, based on signaling the conversion and the tuning precoders with different frequency and/or time granularity. The use of a block diagonal conversion precoder is specifically optimized for the case of a transmit antenna array consisting of closely spaced cross-poles, but other antenna arrangements exist as well. In particular, efficient performance with a ULA of closely spaced co-poles should also be achieved. However, the method for achieving efficient performance in this regard is not obvious, with respect to a block diagonal conversion precoder structure.

Another aspect to consider is that, in a general sense, the above-described factorized precoder feedback may prevent full PA utilization, and may violate the aforementioned rank nested property. These issues arise from the fact that the two factorized precoders—i.e., the conversion precoder and the tuning precoder—are multiplied together to form the overall precoder and thus the normal rules for ensuring full PA utilization and rank nested property by means of constant modulus and column subset precoders, respectively, do not apply.

Further precoding considerations, particularly in the context of the LTE downlink, include the fact that the PUCCH cannot bear as large a payload size as the PUSCH, for the previously described reasons. Thus, there is a risk of “coverage” problems when a UE reports CSI on the PUCCH. In this regard, it is useful to understand that current precoder designs commonly are optimized for transmissions to/from a single UE. In the MIMO context, this single-user context is referred to as a Single User MIMO or SU-MIMO. Conversely, co-scheduling multiple UEs on the same time/frequency resources is called Multi User MIMO or MU-MIMO. MU-MIMO is gaining increasing interest, but it imposes different requirements on precoder reporting and the underlying precoder structures.

SUMMARY

One aspect of the teachings herein relates to signaling codebook restrictions, to restrict the precoder recommendations being fed back from a remote transceiver, so that precoder selections made by the remote receiver are

restricted to permitted subsets of precoders within one or more larger sets. As a non-limiting example, these teachings advantageously provide for precoder restrictions in LTE or LTE-Advanced networks, where ongoing development targets the use of larger, richer sets of precoders, and where the disclosed mechanisms for determining, signaling, and responding to subset restrictions provide significant operational advantages. In one embodiment, a codebook of overall precoders is represented in factorized form by defined combinations of conversion and tuning precoders, where restriction signaling restricts overall precoder selections by restricting one or both of conversion and tuning precoder selections.

Correspondingly, one embodiment disclosed herein comprises a method in a wireless communication transceiver of controlling precoder selection feedback sent to another wireless communication transceiver, where the other transceiver precodes transmissions to the transceiver. As a non-limiting example, the transceiver comprises a mobile terminal or other type of user equipment (UE), and the other transceiver comprises a supporting base station in a wireless communication network. The precoder selection feedback indicates precoder selections by the transceiver, which can be understood as precoder selection recommendations to be considered by the other transceiver in determining the precoding operation it uses for transmitting to the transceiver.

The method includes receiving restriction signaling from the other transceiver that identifies one or more permitted subsets within a defined set of overall precoders, or, where the defined set of overall precoders is represented by defined sets of conversion precoders and tuning precoders, the restriction signaling identifies one or more permitted subsets of precoders within the defined sets of the conversion precoders and tuning precoders. The method further includes generating the precoder selection feedback for sending to the other transceiver based on restricting precoder selections by the transceiver according to said restriction signaling. Here, respective combinations of conversion and tuning precoders correspond to respective ones of the overall precoders.

The permitted subset(s)—i.e., the precoders that are allowed for selection—can be changed dynamically, to reflect changes in operating modes, etc. In one example, there are two or more predetermined subsets of conversion precoders and two or more predetermined subsets of tuning precoders, and the restriction signaling identifies a permitted subset of conversion precoders and a permitted subset of the tuning precoders. In other examples, the restriction signaling identifies the permitted subset of conversion precoders without restricting tuning precoder selections, or vice versa. It also should be noted that there may be a greater or lesser number of tuning precoders and/or tuning precoder subsets than conversion precoders and/or conversion precoder subsets. Nor do the set/subset sizes of tuning precoders necessarily match that used for conversion precoders.

Regardless, the conversion and tuning precoders operate as factorized representations of a set of overall precoders formed from defined combinations of conversion and tuning precoders. This factorized representation is exploited herein in various advantageous ways, such as in how the restriction signaling is formed and processed, and in how the precoder codebooks are structured, stored, and accessed in observance of the dynamically changeable precoder restrictions imposed by the restriction signaling.

As one example, the transceiver stores or otherwise maintains a representation of a conversion precoder code-

book, representing a defined set of conversion precoders that are logically grouped into two or more subsets, and likewise stores a tuning precoder codebook representing a defined set of tuning precoders grouped into two or more subsets. Each precoder represents a codebook entry that is identified by, for example, an index value. Thus, in one or more embodiments, the transceiver generates the precoder selection feedback as indications of the index values corresponding to the precoders it selects from the conversion and tuning precoder codebooks, with the understanding that such defined pairings represent in factorized form an overall precoder to be considered by the other transceiver.

Advantageously, the restriction signaling indicates conversion precoder restrictions, tuning precoder restrictions, or both. Thus, the precoder selection feedback at any given time indicates a selected conversion precoder, or a selected tuning precoder, or both, where those selections are restricted to the currently permitted subset(s). As such, the restriction signaling effectively restricts the transceiver's precoding recommendations to those overall precoders that are formed from the conversion and tuning precoders that are candidates for selection by the transceiver by virtue of their membership in the currently permitted subset(s) of conversion and tuning precoders.

Advantageously, then, one or more codebooks of precoders can be "parameterized" in the sense that one or more predefined subsets within such codebooks can be associated with one mode of operation or with certain operating parameters, while one or more other predefined subsets can be associated with another mode of operation or with certain other operating parameters, and codebook restrictions can be signaled simply by signaling an indication of the mode or parameter(s) that are in effect. A non-limiting example comprises splitting the conversion and/or tuning precoder codebook into one subset favored for SU-MIMO use and one subset favored for MU-MIMO use.

With these non-limiting possibilities in mind, the method further comprises generating the precoder selection feedback for sending to the other transceiver. Particularly, the precoder selection feedback is generated based on restricting conversion and tuning precoder selections according to said restriction signaling. That is, the transceiver considers only those precoders that are candidates for selection by virtue of their membership in the one or more subsets of precoders that are indicated by the restriction signaling as being permitted for consideration.

In complementary fashion, the teachings herein include a method for a first transceiver to signal precoder selection restrictions to a second transceiver, with the understanding that the first transceiver receives precoder selection feedback from the second transceiver, to consider in determining the precoding operation it applies for precoding transmissions to the second transceiver. The first transceiver may be, by way of non-limiting example, a network base station, such as an eNodeB in an LTE or LTE-Advanced network. Correspondingly, the second transceiver comprises a user terminal or other such user equipment (UE).

In one embodiment, the method includes the first transceiver determining a restriction that limits precoder selection by the second transceiver to one or more permitted subsets of precoders within defined sets of conversion precoders and tuning precoders. The method further includes generating restriction signaling for indicating the one or more permitted subsets to the second transceiver, which may store the defined sets of conversion and tuning precoders as conversion and tuning precoder codebooks. The restriction(s) thus can be understood as limiting conversion and/or tuning

precoder selections by the second transceiver to permitted subset(s) within the conversion and/or tuning precoder codebooks. In effect, then, this allows the first transceiver to limit selections of an overall precoder by the second transceiver to a given subset of overall precoders within a codebook of overall precoders.

To make the restrictions active at the second transceiver, the first transceiver sends restriction signaling to the second transceiver, to restrict precoder selection by the second transceiver to the one or more permitted subsets. Again, the conversion and tuning precoders represent a set of overall precoders in factorized form, such that precoder recommendations by the second transceiver can be restricted to a desired subset of the overall precoders based on indicating corresponding selection restrictions for the conversion and/or tuning precoders.

In a non-limiting example, the first transceiver, which again may be network base station of some type, operates in a SU-MIMO mode at certain times, and operates in an MU-MIMO mode at certain other times. Certain ones of the overall precoders or, equivalently, certain ones of the conversion and/or tuning precoders, are predefined as being associated with the SU-MIMO mode of operation and certain other ones are predefined as being associated with the MU-MIMO mode of operation. Thus, as the first transceiver dynamically switches between SU-MIMO and MU-MIMO modes of operation, it uses the restriction signaling to identify which mode is active. That indication effectively identifies the permitted subset(s) of precoders to the second transceiver as it is configured to associate one or more precoder subsets with SU-MIMO operation and one or more other precoder subsets with MU-MIMO operation.

Similarly, the precoders can be grouped into different subsets according to one or more other parameters. For example, one subset of the precoders may include only precoders that satisfy a full PA utilization property for power amplifier utilization at the first transceiver. Another subset of precoders does not satisfy the full PA utilization property. In this manner, when the first transceiver prioritizes full PA utilization, it uses its restriction signaling to identify as the permitted subset(s) only those precoders that satisfy the full PA utilization property. Otherwise, the restriction signaling can be used to identify as the permitted subset(s) those precoders that do not satisfy the property. Such control can be effected, for example, by setting or clearing a flag conveyed by the restriction signaling, where the second transceiver is configured to recognize the state of that flag as indicating which precoder subset(s) are permitted.

Of course, the present invention is not limited to the above brief summary of features and advantages. Other features and advantages will be recognized from the following detailed discussion of example embodiments and from the accompanying drawings.

BRIEF DESCRIPTION OF THE DRAWINGS

FIG. 1 is a block diagram of example embodiments of a first transceiver that is configured to transmit precoded transmissions to a second transceiver.

FIG. 2 is a diagram of one embodiment of logical subsets of precoders within a larger codebook of precoders.

FIG. 3 is a diagram of one embodiment of logically separating precoders within a codebook into currently permitted and currently non-permitted subsets, to restrict precoder selection recommendations.

FIG. 4 is a diagram of one embodiment of logically separating precoders within a codebook into first and second

pluralities, such as where the first plurality of precoders is associated with one operating mode and the second plurality of precoders is associated with another operating mode.

FIG. 5 is a diagram of one embodiment of a signaling structure used for efficiently signaling precoder restrictions.

FIG. 6 is a diagram of one embodiment of logically separating precoders within a codebook into different types of precoders.

FIG. 7 is a diagram of one embodiment of storing/maintaining precoder codebooks, where each codebook is used to maintain a different type of precoder.

FIG. 8 is a diagram of one embodiment of maintaining factorized precoders, wherein a recommended precoder is defined or formed as the matrix multiplication of a selected pair of the factorized precoders.

FIG. 9 is a logic flow diagram illustrating one embodiment of a method of precoder feedback generation at a second transceiver, responsive to restriction signaling from a first transceiver.

FIG. 10 is a logic flow diagram illustrating one embodiment of a method of precoder selection restriction and signaling at a first transceiver, to restrict the precoder recommendations made by a second transceiver receiving precoded transmissions from the first transceiver, to one or more currently permitted subsets within a larger set of precoders.

FIG. 11 is a block diagram of one embodiment of a precoding circuit, such as may be implemented in the first transceiver of FIG. 1.

FIG. 12 is a block diagram of one embodiment of a wireless communication, wherein precoding restriction signaling and precoder selection restrictions as taught herein are used between a base station and an item of user equipment (a "UE").

DETAILED DESCRIPTION

FIG. 1 depicts a first wireless communication transceiver 10 and a second wireless communication transceiver 12, referred to for convenience as transceivers 10 and 12. The transceiver 10 includes a number of antennas 14 and associated transceiver circuits 16 (including one or more radio-frequency receivers and transmitters), along with control and processing circuits 18. At least functionally, the control and processing circuits 18 include a precoding controller 20, a feedback processor 22, and one or more memory circuits 24 that maintain a set 26 of overall precoders 28. The transceiver 10 in one or more embodiments maintains a codebook representation of the defined set 26 of overall precoders 28, and this disclosure thus equivalently refers to the set 26 as the "codebook" 26. Here, a "codebook representation" comprises, for example, a stored set of precoding entries that are accessed or otherwise identified according to predefined index values—e.g., there is predetermined mapping of precoder entries to codebook index positions.

It is also contemplated herein that the set 26 of precoders 28 may be maintained in another, larger codebook of precoder entries, which may include other types of precoders and/or precoders having properties different from the overall precoders 28 in the set 26. In at least one embodiment, at least some of the overall precoders 28 are DFT-based precoders that provide for beamforming of transmissions by the transceiver 10, where each such precoder represents a unique combination of one "conversion" precoder and one "tuning" precoder. That is, in factorized form, each such overall precoder 28 is formed, e.g., by the matrix multiplication of one conversion precoder and one tuning precoder.

Thus, the set **26** of overall precoders **28** may be alternately (and equivalently) represented as sets of conversion and tuning precoders.

As for the set **26**, it will be understood that it comprises, for example, a “codebook” of entries, with each entry representing one of the precoders **28** in the set **26**. The number “**28**” is used generally as a reference in the both the singular and plural senses, for referring to one or multiple precoders **28**. Suffix designations are used, too, where helpful for clarity, e.g., precoder **28-1**, precoder **28-2**, and so on. As used in this sense, “precoder” means a matrix of vector of antenna-weighting values to be applied for transmitting a signal from a set of transmit antenna ports.

The second transceiver **12** includes a number of antennas **30** and associated transceiver circuits **32** (including one or more radio frequency receivers and transmitters), along with control and processing circuits **34**. At least functionally, the control and processing circuits **34** include received signal processing circuitry **36**, e.g., demodulation/decoding circuits, and further include one or more estimation circuits **38**, for estimating channel conditions and/or signal quality. Because the ability of the second transceiver **12** to receive spatially-multiplexed or other precoded transmissions from the first transceiver **10** depends on propagation channel conditions, the transceiver **12** uses its evaluation of signals received from the first transceiver **10** to estimate channel conditions, and those estimates provide a basis for the second transceiver **12** making precoder recommendations to the first transceiver **10**.

In support of such functionality, the control and processing circuits **34** include one or more memory circuits **40**, and a precoding feedback generator **42**. The memory circuit(s) **40** store, for example, the same codebook **26** of precoders **28** as stored at the transceiver **10**. In this manner, the transceiver **12** can send precoder selection feedback **44** to the transceiver **10** by sending PMI values. The PMI values indicate the codebook index value of the precoder(s) **28** selected by the transceiver **12**, representing the precoder(s) **28** recommended by the second transceiver **12**, for use by the first transceiver **10** in precoding transmissions to the second transceiver **12**. These recommendations change dynamically, such as in response to changing channel conditions between the first and second transceivers **10** and **12**.

To constrain or otherwise restrict the precoder selections made by the transceiver **12**, the transceiver **10** transmits restriction signaling **48**. Advantageously, the teachings herein disclose various approaches to parameterizing the set **26** of overall precoders **28**, wherein one or more subsets of precoders **28** within the codebook **26** are viewed as being “permitted” for use when a given parameter or parameters take on a certain value, while other one(s) of the precoder subsets are considered as being “permitted” when the parameter values change. As an example introduction, the parameter of interest may be the transmission mode of the transceiver **10**, wherein the mode has two values: SU-MIMO and MU-MIMO. One subset of precoders **28** in the codebook **26** is favored for use with SU-MIMO, while another subset is favored for use with MU-MIMO. Thus, the value of a transmission mode parameter—e.g., set when MU-MIMO is active and cleared when SU-MIMO is active—may be used to indicate which precoder subset(s) are permitted for use within the codebook **26**.

With regard to this non-limiting example, one sees that the approach advantageously provides reduced signaling overhead. That is, the restriction signaling **48** may comprise a flag or other logical indicator, however, it is not so limited and may use other formats and include other information. In

any case, the restriction signaling **48** should be understood as indicating to the transceiver **12** which subset(s) of precoders **28** in its codebook are permitted for selection as precoding recommendations to the transceiver **10**. Moreover, in one or more embodiments, the transceiver **12** is advantageously configured to use the same signaling format for its precoder selection feedback **44** regardless of whether subset restrictions have been imposed on its precoder selections, and regardless of the particulars of any such restrictions. Among other things, keeping the same signaling format across changing restrictions simplifies processing and transmission of the precoder selection feedback **44** by the transceiver **12**, simplifies reception and processing of precoder selection feedback **44** by the transceiver **10**, and provides for a consistent signaling overhead.

In one or more embodiments, the control and processing circuits **18** of the transceiver **10** at least in part comprise computer-based circuitry, e.g., one or more microprocessors and/or digital signals processors, or other digital processing circuitry. In at least one embodiment, such circuitry is specially configured to implement the methods taught herein for the transceiver **10**, based on executing stored computer program instructions, such as may be stored in the memory circuit(s) **24**. Likewise, in at least one embodiment, the control and processing circuits **34** at the second transceiver **12** are implemented at least in part via programmable digital processing circuitry. For example, the control and processing circuits **34** in one or more embodiments include one or more microprocessors or digital signal processors configured to implement at least a portion of the methods taught herein for the transceiver **12**, based on executing computer program instructions stored in the one or more memory circuits **40**.

With these example implementation details in mind, the transceiver **12** is configured to control precoder selection feedback **44** sent to another transceiver **10**, where the other transceiver **10** precodes transmissions **46** to the transceiver **12**. The precoder selection feedback **44** indicates precoders **28** dynamically selected by the second transceiver **12** from a defined codebook **26** of precoders **28**. The transceiver **12** includes a memory **40** configured to store the codebook **26** of precoders **28**. Further, as noted, the transceiver **12** includes a precoding feedback generator **42**, which is configured to manage the codebook **26** as two or more predetermined subsets of precoders, wherein at least one predetermined subset includes more than one of the precoders **28** in the codebook **26**. That is, at least one of the subsets is not a set of one.

As an example, refer momentarily to FIG. **2** where an example codebook **26** includes a plurality of precoders **28**, individually depicted as **28-1**, **28-2**, **28-3**, and so on. As will be understood by those of ordinary skill in the art, each precoder **28** is, for example, a matrix of numerical values corresponding to transmit antenna signal weights. One sees that there are a total of N precoders **28** in the example illustration, with those N precoders **28** subdivided into a number of subsets **50**. At least one subset **50** includes more than two of the precoders **28**. By way of non-limiting example, the N precoders **28** are divided into two subsets referred to as **50-1** and **50-2**. For illustration, the subset **50-1** includes at least the precoders **28** identified as **28-1**, **28-2**, and **28-3**, which are also identified as “ENTRY 1,” “ENTRY 2” and “ENTRY 3” in the drawing. The subset **50-2** includes at least the precoders **28** referred to **28-(N-1)** and **28-N**, which are also identified as “ENTRY $N-1$ ”, and “ENTRY N .”

Thus, in this example instance, each subset **50-1** and **50-2** includes more than one precoder **28** in the overall set of N precoders **28**. Advantageously, the transceiver **10** is configured to generate restriction signaling **48** that efficiently indicates which one(s) of the subsets **50** are currently permitted for use by the transceiver **12** in generating the precoder selection feedback **44**. For example, one subset **50** might be associated with one operating mode, while another subset **50** might be associated with another operating mode. The transceiver **10** can simply set or clear a flag or mode indicator to indicate which subset **50** currently is to be considered as the “permitted” subset for precoder selections by the transceiver **12**.

Correspondingly, the receiver in the transceiver circuits **32** of the transceiver **12** is configured to receive signaling from the transceiver **10**, including the restriction signaling **48**. As noted, the restriction signaling **48** indicates which one or more of the predetermined subsets **50** are currently permitted subsets **52** (as shown in FIG. 3) for use by said transceiver **12** in determining the precoder selection feedback **44**. Here, the precoding feedback generator **42** is configured to restrict precoder selection for the precoder selection feedback **44** to those precoders **28** in the currently permitted subsets **52**. Conversely, the remaining subsets among the defined subsets **50** would be considered as non-permitted subsets **54**, and the individual precoders **28** having membership in the non-permitted subsets **54** would therefore be excluded from consideration in the generation of the precoder selection feedback **44**.

In one embodiment, and with reference to FIG. 4, the transceiver **12** is configured to manage the codebook **26** as two or more predetermined subsets **50** by associating a first plurality **56** of precoders **28** in the codebook **26** with a first operating mode and associating a second plurality **58** of precoders **28** in the codebook **26** with a second operating mode. As a non-limiting example, the first plurality **56** of precoders **28** is intended for use in a particular operating mode, while the second plurality **58** of precoders **28** is intended for use in a different operating mode. The first mode is, for example, SU-MIMO, while the second mode is MU-MIMO. In at least one embodiment where the subsets **50** of precoders **28** are grouped according to modes, the restriction signaling **48** comprises a mode indicator that indicates the operating mode that is or will be active, and thus indicates which mode applies for the selection of precoders **28** from the codebook **26**.

With reference to FIG. 5, one sees an embodiment of the restriction signaling **48**, wherein the signaling comprises a message identifier (ID) **60** and an indicator **62**. As an example, the message ID **60** is a unique numeric value associated with restriction signaling, and the transceiver **12** is configured to recognize the restriction signaling **48**, based on recognizing the identifier **60**. In at least one embodiment, the indicator **62** comprises a mode indicator. For example, the mode indicator may be a single bit that is set to indicate that one mode is active, or cleared to indicate that another mode is active. The transceiver **12** in such an embodiment would restrict its precoder selections (recommendations) to those precoders **28** that are logically associated with the indicated mode—i.e., to those precoders **28** that are permitted for the indicated mode.

Of course, to the extent that more than two modes are defined, the indicator **62** may comprise a multi-bit binary value that indicates which one (or ones) of the defined modes are active. Similarly, in one or more embodiments, there are N precoders **28** in total in the codebook **26**, where N is an integer >2 . Further, there are M predetermined

subsets **50** defined within the overall set of N precoders **28**, where $M < N$. With this relationship, at least one subset **50** (e.g., subset **50-1** or **50-2**) includes more than one precoder **28**. Correspondingly, the restriction signaling **48** in one or more embodiments includes an M -length bit mask that indicates which ones of the M predetermined subsets **50** are currently permitted subsets **52**. Alternatively, the restriction signaling **48** includes one or more binary values, e.g., the indicator **62** is formed as one or more binary values, where each value indicates which one or ones of the subsets **50** are to be treated by the transceiver **12** as currently permitted subsets **52**.

Thus, as seen in FIG. 6, the codebook **26** in one or more embodiments can be regarded as dividing into at least a first type **64** of precoders **28** and a second type **66** of precoders **28**. Both types may be represented using similar matrix/vector structures, but they may have values that yield different operating characteristics for the transceiver **10**, or values that are optimized for certain operating conditions at the transceiver **10**. Thus, the transceiver **10** would restrict precoder selections by the transceiver **12** to whichever precoder type best suits the current operating conditions or mode.

Further, note that in one or more embodiments herein the precoders **28** in the codebook **26** stored at the transceiver **10** are regarded as and hereafter referred to as “overall” precoders **28** in the sense that they can be understood as representing the combination of a selected conversion precoder and a selected tuning precoder, which were discussed in example form earlier herein. With this understanding, a selected conversion precoder and a selected tuning precoder are understood as a “factorized” representation of a selected overall precoder **28**, in the sense that, e.g., the matrix product of the selected conversion and tuning precoders forms the corresponding selected overall precoder **28**.

In this manner, it is equivalent to restrict precoder selections to defined subsets of overall precoders **28**, or to restrict precoder selections to defined subsets of the conversion and tuning precoders representing the factorized form of the overall precoders **28**. In this sense, the transceiver **10** and/or the transceiver **12** may store the overall precoders **28** in the codebook **26**, or the codebook **26** may be structured as two codebooks, one containing conversion precoders and one containing tuning precoders. The use of factorized conversion and tuning precoder codebooks, and the use of restriction signaling **48** that indicates conversion and/or tuning precoder restrictions offers a number of advantages, in terms of being able to flexibly define the subset restrictions and in terms of being able to efficiently signal such restrictions.

An example arrangement appears in FIG. 7, where the codebook **26** is depicted as comprising a conversion precoder codebook **70** of conversion precoders **74**, and a tuning precoder codebook **72** of tuning precoders **76**. FIG. 8 illustrates that the plurality of conversion precoders **74** at least logically may be regarded as a larger, defined set **80** of conversion precoders **74** that is subdivided into two or more subsets **82**. Likewise, the plurality of tuning precoders **76** may be regarded as a larger, defined set **86** of tuning precoders that is subdivided into two or more subsets **88**. Note that the subset sizes or numbers may not necessarily be equal between the codebooks. It will be appreciated then, that the transceiver **10** may maintain a codebook or set **26** of precoders **28**, where at least some number of those precoders **28** are “overall” precoders, each representing a unique combination of one conversion precoder **74** and one tuning precoder **76**. Thus, precoder restrictions may be generated and signaled in terms of which ones of the overall precoders

are permitted for use, or, equivalently, in terms of which ones of the conversion precoders 74 and/or tuning precoders 76 are permitted for use.

For example, the restriction signaling 48 from the transceiver 10 can be generated and signaled dynamically as needed, to indicate which ones of the subsets 82 and/or the subsets 88 are to be considered by the transceiver 12 as “permitted” for use in generating the precoder selection feedback 44. The illustration shows that one subset 82 of conversion precoders 74 is a permitted subset 84-1 and that one subset 88 of tuning precoders 76 is a permitted subset 84-2. It will be understood that restrictions may be applied to the subsets 82 of conversion precoders 74, the subsets 88 of tuning precoders 76, or both. The particular manner in which restriction is applied will depend upon the factorization details applicable to the conversion and tuning precoders 74 and 76.

As noted, the transceiver 12 may be a UE or other type of wireless communication device, and the transceiver 10 may be an eNodeB in an LTE or LTE-Advance network, or may be another type of wireless communication network base station. In at least one such embodiment, the transceiver 12 is configured to receive said restriction signaling 48 as Radio Resource Control (RRC) layer signaling. Also note that the transceiver 12 in one or more embodiments does not necessarily operate with precoder selection restrictions. For example, in one embodiment, the precoding feedback generator 42 is configured to use or not use subset restrictions in its precoder selections, in dependence on the restriction signaling 48. For example, there is a defined signaling value or pattern that indicates whether restriction should be used, or the absence of an explicitly signaled restriction value is taken to mean that restriction is not in use.

With the above possibilities for operation of the transceiver 12 in mind, FIG. 9 illustrates a method 900 carried out in the transceiver 12 with respect to the transceiver 10. The illustrated method 900 includes receiving (Step 902) restriction signaling 48 from the transceiver 10 that identifies one or more permitted subsets 50 within a defined set 26 of overall precoders 28, or, where the defined set 26 of overall precoders 28 is represented by defined sets 80, 86 of conversion precoders 74 and tuning precoders 76, the restriction signaling 48 identifies one or more permitted subsets 84 of precoders 74, 76 within the defined sets 80, 86 of said conversion precoders 74 and tuning precoders 76. The method 900 further includes generating (Step 904) said precoder selection feedback (44) for sending to the other transceiver (10) based on restricting (Step 906) precoder selections by the transceiver (12) according to the restriction signaling (48).

Thus, the restriction signaling 48 may be generated and transmitted by the transceiver 10, in explicitly in terms of the precoders 28 within the defined set 26—i.e., to identify a permitted subset 50 of such precoders 28. Alternatively but equivalently, the transceiver 10 may generate and transmit the restriction signaling 48 in terms of permitted subsets 84 of precoders 74, 76 within the defined sets 80, 86 of conversion precoders 74 and tuning precoders 76. More particularly, conversion and/or tuning precoder selection may be restricted, to achieve an equivalent restriction on selection of precoders 28. Moreover, in one or more embodiments, the restriction signaling 48 identifies a permitted subset or subsets 50 of (overall) precoders 28, and the transceiver 12 maps or otherwise translates such restrictions into conversion and/or tuning precoder selection restrictions.

On that point, as noted, respective combinations of conversion and tuning precoders 74, 76 correspond to respective

ones of the overall precoders 28. That is, each such overall precoder 28 represents a unique combination of one conversion precoder 74 and one tuning precoder 76. Correspondingly, in at least one embodiment of the method 900, a conversion precoder codebook 70 contains the defined set 80 of conversion precoders 74 and a tuning precoder codebook 72 contains the defined set 86 of tuning precoders 76, and restriction signaling 48 indicates at least one of: (a) a permitted subset 84-1 of conversion precoders 74 in the conversion precoder codebook 70 and (b) a permitted subset 84-2 of tuning precoders 76 in said tuning precoder codebook 72.

It will be understood that the precoder selection feedback 44 may simultaneously indicate the selected conversion and tuning precoders, or it may indicate the selected conversion precoder in some instances and the selected tuning precoder in other instances. As an example of this, the conversion precoder selection interval is slower than the tuning precoder selection interval—i.e., tuning precoder selections are updated more frequently than conversion precoder selections. Thus, the precoder selection feedback 44 need not indicate conversion precoder selections as frequently as tuning precoder selections. Similarly, the precoder selection feedback 44 may be sent on different channels or even protocol layers. In other variations, a conversion precoder selection covers a relatively wide frequency band, which is subdivided into narrower sub-bands and respective tuning precoder selections are signaled respectively for each sub-band.

Turning to the transceiver 10, FIG. 10 illustrates a method 1000, wherein the precoding controller 20 of the transceiver 10 determines (Step 1002) a restriction that limits precoder selection by said transceiver 12 to one or more permitted subsets 84 of precoders 74, 76 within defined sets 80, 86 of conversion precoders 74 and tuning precoders 76. The method also includes generating (Step 1004) restriction signaling 48 for indicating the one or more permitted subsets (84) to the transceiver 12, and sending (Step 1006) the restriction signaling 48 to the other transceiver 12. Doing so serves to restrict precoder selection by the transceiver 12 to said one or more permitted subsets (84), so that the precoding recommendations made by the transceiver 12 are consistent with the restrictions.

The precoding controller 20 is further configured to generate the restriction signaling 48 to indicate the restriction. It will be understood that this may be a dynamic process, where the restriction signaling 48 is updated as needed, to reflect changing restrictions. A transmitter in the transceiver circuits 16 of the transceiver 10 is cooperatively associated with precoding controller 20, and is configured to transmit the restriction signaling 48.

In FIG. 11, one sees an example embodiment of precoding circuitry 90, such as is implemented on or in conjunction with the precoding controller 20 and transceiver circuit 16 of the transceiver 10. The illustrated circuitry is used for generating the precoded transmissions 46, for transmission to the transceiver 12. Of course, other transceivers besides transceiver 12 may be supported. The precoding circuitry 90 includes layer processing circuitry 92, which forms symbol vectors of length s , for transmit layer in use for MIMO transmission by the transceiver 10, where the precoding controller 20 sets the transmit rank. The circuitry further includes a precoder 94, which applies the precoding operations used for generating precoded transmissions from the antennas 14 of the transceiver 10, including the precoded transmissions 46 to the transceiver 12. Note that the precoding operation applied for precoding transmissions to the

transceiver **12** is determined in consideration of the precoder selection feedback **44** from the transceiver **12**, but does not necessarily follow that feedback.

Notable in the illustration is Inverse Fast Fourier Transform (IFFT) processing circuitry **96** feeding into a plurality of transmit antenna ports **98**. In one or more embodiments taught herein, each conversion precoder **74** comprise a block diagonal matrix, where each block comprises a DFT-based precoder that provides for a number of beams, for beamforming from a subset of the N_T antenna ports **98**. In at least one such embodiment, the defined set **80** of conversion precoders **74** includes $N_T Q$ different conversion precoders **74** and the defined set **86** of tuning precoders **76** includes a number of corresponding tuning precoders **76**.

Each conversion precoder **74** comprises a block diagonal matrix in which each block comprises a DFT-based precoder that defines $N_T Q$ different DFT based beams for a subgroup in the group of N_T transmit antenna ports **98** at the transceiver **10**, where Q is an integer value and where the $N_T Q$ different conversion precoders **74**, together with one or more of the tuning precoders **76**, correspond to a set of $N_T Q$ different overall precoders **28**. Each overall precoder **28** thus represents a size— N_T DFT-based beam over the group of N_T transmit antennas ports (**98**).

Turning to FIG. **12**, one sees that the transceiver **10** may be implemented as part of wireless communication network **100**, which includes a Radio Access Network (**102**), including one or more base stations **104**. Here, it will be understood that the base station **104** represents the transceiver **10**, but may include additional interface and processing circuitry not discussed thus far. However, as such circuitry is not germane to this discussion and, in any case, is generally well understood in the base station design arts, the overall architecture of the base station **104** is not detailed.

One also sees in FIG. **12** an item of user equipment, i.e., UE **106**, which may be understood as representing a particular embodiment of the transceiver **12**. As with the base station **104**, the UE **106** includes interface and processing circuitry not previously described herein. However, as such circuitry is well understood in a general sense and is not germane to the discussion, it is not further detailed here. One also sees that the RAN **102** is communicatively coupled to a Core Network (CN) **108**, the implementation of which will depend upon the wireless communication standards at issue, e.g., it may be an Evolved Packet Core (EPC) in an LTE/LTE-Advanced implementation. The CN **108** generally is communicatively coupled to one or more external networks **110**, such as the Internet and allows call and data delivery to/from multiple UEs **106**, which are supported by radio links to the RAN **102**.

The base station **104** is configured to transmit precoded transmissions to the illustrated UE **106**, based at least in part on receiving precoder selection feedback **44** from the UE **106**. In particular, however, the UE's selection of precoders for recommendation to the base station **104** is restricted according to its receipt of restriction signaling **48**. In this context, the base station **104** stores a codebook **26** of overall precoders **28**. The base station **104** alternatively organizes its codebook **26** as a conversion precoder codebook **70** and a tuning precoder codebook **72**, where individual pairings of the conversion and tuning precoders **74** and **76** represent respective overall precoders **28** in factorized form.

Further in the illustrated arrangement, the UE **106** stores the same or equivalent codebooks, so that its indications of precoder selections are understood by the base station **104**. For example, UE **106** stores a conversion precoder codebook **70** and a tuning precoder codebook **72**. The base

station **104** stores copies of the same codebook, or, as mentioned, it stores a codebook **26** of overall precoders **28** that correspond to the codebooks stored by the UE **106**. In any case, the UE **106** is configured to respond to restriction signaling **48** received from the base station **104**, by restricting its precoder recommendations to those precoders that are in currently permitted subsets, as indicated by the restriction signaling.

As for the base station's precoding in particular, and for precoding by the transceiver **10** in a more general example, one may turn back to the precoding circuit **90** of FIG. **11**. The layer processing circuitry **92** converts a stream of input data, e.g., an input symbol stream, into one or more symbol vectors s . As explained, the precoding controller **20** provides a rank control signal to the layer processing circuitry **82**, to control the number of layers to which the input data is mapped. The symbol vector(s) s are input to precoder **94**, which applies a precoding operation. For example, it forms an overall precoder **28**, denoted as W , as the matrix multiplication of a selected conversion precoder **74**, denoted as $W^{(c)}$, and a selected tuning precoder **76**, denoted as $W^{(t)}$. This precoding operation may or may not follow the recommendations represented by the precoder selection feedback **44**, but the precoding controller **20** is configured to consider that feedback in determining the currently applied precoding operation. The precoded stream(s) are output to the IFFT circuitry **96**, which applies an IFFT to the streams. After that transformation, the streams are directed to respective ones in a set of antenna ports **98**, for transmission from the transmitter's antennas **14**.

In at least one embodiment, the transceiver **10** uses Discrete Fourier Transform (DFT) based precoders implementing a partially overlapping grid of beams. This approach is suitable for closely spaced co-polarized antennas such as a Uniform Linear Array with N_T elements. Thus, it will be understood that in one or more embodiments, the overall precoders **28** in the codebook **26** include a number of DFT-based precoders. For example, the overall precoders **28** may be represented by a number of DFT-based conversion precoders **74** and associated tuning precoders **76**, such as illustrated in FIG. **8**.

DFT based precoders are also suitable for the two $N_T/2$ element antenna group ULAs in a closely spaced cross-pole setup. By a clever choice of the codebook entries for the conversion and tuning precoders **74** and **76** and by exploiting them jointly, the teachings herein ensure re-use of the DFT based size $N_T/2$ precoders antenna group ULAs also in forming the needed number of DFT based size N_T precoders for an N_T element ULA. Moreover, one or more embodiments disclosed herein provide a structure for the conversion precoders **74** that allows re-using existing codebooks with DFT based precoders and extending their spatial resolution.

Further, in at least one embodiment, it is proposed herein to use a precoder structure which solves the problems related to PA utilization and rank nested property for a factorized precoder design—e.g., in the case where an overall precoder W is represented in factorized form by a conversion precoder **74** and a tuning precoder **76**. By using a so-called double block diagonal tuning precoder **76** combined with a block diagonal conversion precoder **74**, full PA utilization is guaranteed and rank override exploiting nested property also for the overall precoder is possible. However, it should be kept in mind that these and other special precoder types and structures may be represented in subsets or groups within a larger number of precoders and that systems configured according to the teachings herein may use codebook having

additional entries that do not conform to some of the specialized block diagonal and other forms described herein.

In any case, an example embodiment herein allows DFT based precoder elements for an antenna group ULA in a closely spaced cross-pole to be reused for creating a grid of beams with sufficient overlap for a ULA of twice the number of elements compared with the antenna group ULA. In other words, the overall precoders **28** in the codebook **26** can be designed for use with the multiple antennas **14** of the transceiver **10**, regardless of whether those antennas **14** are configured and operated as an overall ULA of N_T antennas or antenna elements, or as two cross-polarized ULA subgroups, each having $N_T/2$ antennas or antenna elements.

Consider the block diagonal factorized precoder design given as

$$W = W^{(c)}W^{(t)} = \begin{bmatrix} \bar{W}^{(c)} & 0 \\ 0 & \bar{W}^{(c)} \end{bmatrix} W^{(t)}, \quad (10)$$

where W is an overall precoder **28** and $W^{(c)}$ and $W^{(t)}$ represent the conversion/tuning precoder pairing from which W is formed. Also, note that in order to tailor the transmission to ± 45 degrees cross-poles, the structure of each conversion precoder **74** can be modified by means of a multiplication from the left with a matrix

$$\begin{bmatrix} I & Ie^{j\phi} \\ I & -Ie^{j\phi} \end{bmatrix}, \quad (11)$$

which, for $\phi=0$, rotates the polarizations 45 degrees to align with horizontal and vertical polarization. Other values of ϕ may be used to achieve various forms of circular polarization. Henceforth, it is assumed for purposes of this discussion that such rotations are absorbed into the channel.

For an N_T element ULA, the precoder W for rank **1** is to be a $N_T \times 1$ vector as

$$W = w_n^{(N_T, Q)} = \left(\left[w_{1,n}^{(N_T, Q)} \ w_{2,n}^{(N_T, Q)} \ \dots \ w_{N_T,n}^{(N_T, Q)} \right] \right)^T. \quad (12)$$

In this context, recall that W may be formed as the product (matrix multiplication) of a given conversion precoder **74** and a corresponding tuning precoder **76**, e.g., $W = W^{(c)}W^{(t)}$. Noting that for antennas $m=0, 1, \dots, N_T/2-1$,

$$w_{m,n}^{(N_T, Q)} = \exp\left(j \frac{2\pi}{N_T Q} mn\right) = \exp\left(j \frac{2\pi}{N_T} \frac{mn}{2Q}\right) = w_{m,n}^{(N_T/2, 2Q)}, \quad (13)$$

$$n = 0, \dots, QN_T - 1,$$

while for the remaining antennas $m=N_T/2+m'$, $m'=0, 1, \dots, N_T/2-1$,

$$\begin{aligned} w_{N_T/2+m',n}^{(N_T, Q)} &= \exp\left(j \frac{2\pi}{N_T Q} (N_T/2 + m')n\right) \\ &= \exp\left(j \frac{2\pi}{N_T} \frac{m'n}{2Q}\right) \exp\left(j \frac{\pi}{Q} n\right) \\ &= w_{m',n}^{(N_T/2, 2Q)} \exp\left(j \frac{\pi}{Q} n\right) \\ &= w_{m',n}^{(N_T/2, 2Q)} \alpha, \quad n = 0, \dots, QN_T - 1. \end{aligned} \quad (14)$$

Here,

$$\alpha \in \left\{ \exp\left(j \frac{\pi}{Q} n\right) : n = 0, 1, \dots, 2Q - 1 \right\}.$$

Any N_T element DFT precoder can thus be written as

$$\begin{aligned} w_n^{(N_T, Q)} &= \left[w_{0,n}^{(N_T, Q)} \ w_{1,n}^{(N_T, Q)} \ \dots \ w_{N_T-1,n}^{(N_T, Q)} \ w_{0,n}^{(N_T, Q)} \alpha \right. \\ &\quad \left. w_{1,n}^{(N_T, Q)} \alpha \ \dots \ w_{N_T-1,n}^{(N_T, Q)} \alpha \right]^T \\ &= \begin{bmatrix} w_n^{(N_T/2, 2Q)} \\ w_n^{(N_T/2, 2Q)} \alpha \end{bmatrix} \\ &= \begin{bmatrix} w_n^{(N_T/2, 2Q)} & 0 \\ 0 & w_n^{(N_T/2, 2Q)} \end{bmatrix} \begin{bmatrix} 1 \\ \alpha \end{bmatrix}. \end{aligned} \quad (15)$$

However, this falls under the factorized precoder structure if the tuning precoder codebook contains the precoder elements

$$\left\{ \begin{bmatrix} 1 \\ \exp\left(j \frac{\pi}{Q} n\right) \end{bmatrix} : n = 0, 1, \dots, 2Q - 1 \right\} \quad (16)$$

and moreover suits the closely spaced cross-polarized array perfectly because size $N_T/2$ DFT precoders are now applied on each antenna group ULA and the tuning precoder provides $2Q$ different relative phase shifts between the two orthogonal polarizations. It is also seen how the $N_T/2$ element $w_n^{(N_T/2, 2Q)}$ precoders are reused for constructing the N_T element precoder $w_n^{(N_T, Q)}$.

Thus, as an example, the codebook **26** at the transceiver **10** and at the transceiver **12** may be represented as two codebooks **70** and **72**, such as shown in FIG. 7. In particular, the codebook **70** contains codebook entries comprising a defined set of conversion precoders **74**, while the codebook **72** contains codebook entries comprising a defined set of tuning precoders **76**. Pairings of respective conversion and tuning precoders **74** and **76** form corresponding overall precoders **28**. That is, the codebook **26** at the transceiver **10** may comprise a set of overall precoders **28**, each representing the combination of a selected conversion precoder **74** and a selected tuning precoder **76**—e.g., the matrix product of the selected conversion and tuning precoders **74** and **76**. As such, it will be understood that the codebook **26** may be structured as a table or other data structure having overall precoders **28** as its entries, or may equivalently be structured or represented by the conversion and tuning precoder codebooks **70** and **72**, respectively containing defined sets of conversion and tuning precoders **74** and **76**.

In at least one embodiment, the codebook **70** includes a number of DFT based precoders as the conversion precoders **74**. These DFT based precoders have an oversampling factor $2Q$, which are used together with tuning precoders **76** in the codebook **72**, for building overall precoders **28** as DFT based precoders W with an oversampling factor Q for an antenna array with twice as many elements. With this arrangement, the oversampling factor ($2Q$) is twice as large as for the co-polarized N_T element ULA (Q), but those elements are not wasted because they help to increase the spatial resolution of the grid of beams precoders even

21

further. This characteristic is particularly useful in MU-MIMO applications where good performance relies on the ability to very precisely form beams towards the UE of interest and nulls towards the other co-scheduled UEs.

For example, take a special case of $N_T=8$ transmit antennas—i.e., assume that the transceiver **10** of FIG. **1** includes eight antennas **14**, for use in precoded MIMO transmissions, and assume that $Q=2$ for the closely spaced ULA. One sees that the precoder is built up as

$$\begin{aligned} w_n^{(8,2)} &= \begin{bmatrix} w_n^{(N_T/2,2Q)} \\ w_n^{(N_T/2,2Q)} \alpha \end{bmatrix} \\ &= \begin{bmatrix} w_n^{(4,4)} & 0 \\ 0 & w_n^{(4,4)} \end{bmatrix} \begin{bmatrix} 1 \\ \exp(j\frac{\pi}{2}n') \end{bmatrix}, n = 0, \dots, 2N_T - 1, \\ & n' = 0, 1, 2, 3. \end{aligned} \quad (17)$$

The codebook **72** for the tuning precoders **76** can then be chosen from the rank **1**, **2** Tx codebook in LTE and hence that codebook can be re-used. The codebook for the conversion precoders **74** contains elements constructed from four DFT based generator matrices as in Eq. (8). The codebooks **70** and **72** can contain other elements in addition to the DFT based ones. Broadly, this principle of constructing N element DFT precoders out of smaller, $N/2$ element DFT precoders can thus be used in general to add efficient closely spaced ULA and cross-pole support to a codebook based precoding scheme. Advantageously, this particular precoder structure can be used even if the antenna setups differ from what is being assumed in this example.

Further, note that DFT-based precoders can be used for transmission ranks higher than one, as well. One way to do so is to pick the antenna group precoders **74** (denoted here as $\tilde{W}^{(c)}$) as column subsets of DFT-based generator matrices, such as those shown in Eq. (8). The tuning precoders **76** can be extended with additional columns as well, to match the desired value of the transmission rank. For transmission rank **2**, a tuning precoder **76** can be selected as

$$W^{(t)} = \begin{bmatrix} 1 & 1 \\ \alpha & -\alpha \end{bmatrix}, \alpha \in \left\{ \exp(j\frac{\pi}{Q}n) : n = 0, 1, \dots, 2Q - 1 \right\}. \quad (18)$$

It is sometimes beneficial to re-use existing codebooks in the design of new codebooks. However, one associated problem is that existing codebooks may not contain all the needed DFT precoder vectors to provide at least $Q=2$ times oversampling of the grid of beams. Assume for example that one has an existing codebook for $N_T/2$ antennas with DFT precoders providing $Q=Q_e$ in oversampling factor and that the target oversampling factor for the $N_T/2$ element antenna group ULA is $Q=Q_t$. The spatial resolution of the existing codebook can then be improved to the target oversampling factor in factorized precoder design as

$$\begin{aligned} w &= \begin{bmatrix} \Lambda_{\tilde{q}} w_n^{(N_T/2, Q_e)} & 0 \\ 0 & \Lambda_{\tilde{q}} w_n^{(N_T/2, Q_e)} \end{bmatrix} \begin{bmatrix} 1 \\ \alpha \end{bmatrix}, \\ n &= 0, \dots, Q_e N_T - 1, \tilde{q} = 0, 1, \dots, Q_t / Q_e - 1 \end{aligned} \quad (19)$$

22

-continued

$$\begin{aligned} \Lambda_{\tilde{q}} &= \text{diag} \left(1, \exp \left(j \frac{2\pi}{N_T} \frac{\tilde{q}}{Q_t} 1 \right), \right. \\ & \left. \exp \left(j \frac{2\pi}{N_T} \frac{\tilde{q}}{Q_t} 2 \right), \dots, \exp \left(j \frac{2\pi}{N_T} \frac{\tilde{q}}{Q_t} (N_T/2 - 1) \right) \right). \end{aligned}$$

Here, the $w_n^{(N_T/2, Q_e)}$ could be elements in the existing LTE **4** Tx House Holder codebook, which contains 8 DFT based precoders (using an oversampling factor of $Q=2$) for rank **1**. When the transmission rank is higher than one, the block diagonal structure can be maintained and the structure thus generalizes to

$$W = \begin{bmatrix} \Lambda_{\tilde{q}} \tilde{W}^{(c)} & 0 \\ 0 & \Lambda_{\tilde{q}} \tilde{W}^{(c)} \end{bmatrix} W^{(t)}, \quad (20)$$

where the overall precoder W is now an $N_T \times r$ matrix, the conversion precoder $\tilde{W}^{(c)}$ is a matrix with at least one column equal to a DFT based precoder $w_n^{(N_T/2, Q_e)}$, and the tuning precoder $W^{(t)}$ has r columns.

To see that that the spatial resolution can be improved by multiplying the antenna group precoder with a diagonal matrix as described above, consider the alternative parameterization of DFT precoders in Eq. (7),

$$\begin{aligned} w_{m, Q_t l + q}^{(N_T, Q_t)} &= \exp \left(j \frac{2\pi}{N_T} m \left(1 + \frac{q}{Q_t} \right) \right), m = 0, \dots, \\ N_T - 1, l &= 0, \dots, N_T - 1, q = 0, \dots, Q_t - 1, \end{aligned} \quad (21)$$

and let

$$\begin{aligned} q &= \frac{Q_t}{Q_e} q' + \tilde{q}, \\ q' &= 0, \dots, Q_e - 1, \\ \tilde{q} &= 0, \dots, \frac{Q_t}{Q_e} - 1, \end{aligned} \quad (22)$$

to arrive at

$$\begin{aligned} w_{m, Q_t l + \frac{Q_t}{Q_e} q' + \tilde{q}}^{(N_T, Q_t)} &= \exp \left(j \frac{2\pi}{N_T} m \left(1 + \frac{1}{Q_t} \left(\frac{Q_t}{Q_e} q' + \tilde{q} \right) \right) \right) \\ &= \exp \left(j \frac{2\pi}{N_T} m \left(1 + \frac{q'}{Q_e} \right) \right) \exp \left(j \frac{2\pi}{N_T} m \frac{\tilde{q}}{Q_t} \right) \\ &= w_{m, Q_e l + q'}^{(N_T, Q_e)} \exp \left(j \frac{2\pi}{N_T} m \frac{\tilde{q}}{Q_t} \right) \end{aligned} \quad (23)$$

for

$$\begin{aligned} m &= 0, \dots, N_T - 1, l = 0, \dots, N_T - 1, \\ q' &= 0, \dots, Q_e - 1, \tilde{q} = 0, \dots, \frac{Q_t}{Q_e} - 1. \end{aligned}$$

The above formulations demonstrate an advantageous aspect of the teachings presented herein. Namely, a codebook containing DFT precoders with oversampling factor Q_e can be used for creating a higher resolution DFT codebook by multiplying the m :th antenna element with \exp

$$\left(j \frac{2\pi}{N_T} m \frac{\tilde{q}}{Q_c} \right)$$

and hence proving that the diagonal transformation given by $A_{\tilde{q}}$ indeed works as intended. It is also conceivable that such a structure where the antenna group precoder is multiplied with a diagonal matrix in general (i.e., even when the codebooks are not using DFT based vectors) can improve the performance.

As for the desirable properties of full PA utilization and rank nested property, a first step in designing efficient factorized precoder codebooks while achieving full PA utilization and fulfilling the rank nested property is to make the conversion precoders **74** block diagonal as in Eq. (4). In a particular case, the number of columns k of a conversion precoder **74** is made equal to $2\lceil r/2 \rceil$, where $\lceil \cdot \rceil$ denotes the cell function. This structure is achieved by adding two new columns contributing equally much to each polarization for every other rank. In other words, such a conversion precoder **74** can be written in the form

$$W^{(c)} = \begin{bmatrix} \tilde{W}^{(c)} & 0 \\ 0 & \tilde{W}^{(c)} \end{bmatrix} = \begin{bmatrix} \tilde{w}_1^{(c)} & \tilde{w}_2^{(c)} & \dots & \tilde{w}_{\lceil r/2 \rceil}^{(c)} & 0 & 0 & \dots & 0 \\ 0 & 0 & \dots & 0 & \tilde{w}_1^{(c)} & \tilde{w}_2^{(c)} & \dots & \tilde{w}_{\lceil r/2 \rceil}^{(c)} \end{bmatrix}, \quad (24)$$

where $\tilde{w}_l^{(c)}$ is an $N_T/2 \times 1$ vector.

Extending the conversion dimension in this manner helps in keeping the number of dimensions small and in addition serves to make sure that both polarizations are excited equally much. It is beneficial if the conversion precoder **74**, $\tilde{W}^{(c)}$, is also made to obey a generalized rank nested property in that there is freedom to choose $\tilde{W}^{(c)}$ with L columns as an arbitrary column subset of each possible $\tilde{W}^{(c)}$ with $L+1$ columns. An alternative is to have the possibility to signal the column ordering used in $\tilde{W}^{(c)}$. Flexibility in the choice of columns for $\tilde{W}^{(c)}$ for the different ranks is beneficial so as to still be able to transmit into the strongest subspace of the channel even when rank override using a column subset is performed.

To ensure full PA utilization at the transceiver **10** in one or more embodiments, one or more subsets **88** of the tuning precoders **76** are constructed as follows: (a) the conversion vector $\tilde{w}_n^{(c)}$ is made constant modulus; and (b) a column in the tuning precoder **76** has exactly two non-zero elements with constant modulus. If the m :th element is non-zero, so is element $m+\lceil r/2 \rceil$. Hence for rank $r=4$, the columns in an example tuning precoder **76** are of the following form

$$\begin{bmatrix} x \\ 0 \\ x \\ 0 \end{bmatrix}, \begin{bmatrix} 0 \\ x \\ 0 \\ x \end{bmatrix}, \quad (25)$$

where x denotes an arbitrary non-zero value which is not necessarily the same from one x to another. Because there are two non-zero elements in a column, two orthogonal columns with the same positions of the non-zero elements can be added before columns with other non-zero positions are considered. Such pair-wise orthogonal columns with constant modulus property can be parameterized as

$$\begin{bmatrix} 1 \\ 0 \\ e^{j\phi} \\ 0 \end{bmatrix}, \begin{bmatrix} 1 \\ 0 \\ -e^{j\phi} \\ 0 \end{bmatrix}. \quad (26)$$

Rank nested property for the overall precoder is upheld when increasing the rank by one by ensuring that columns for previous ranks excite the same columns of the conversion precoder also for the higher rank. Combining this with Eq. (25) and the mentioned pair-wise orthogonal property of the columns leads to a double block diagonal structure of the tuning precoder **76** taking the form

$$W = \begin{bmatrix} \tilde{w}_1^{(c)} & \tilde{w}_2^{(c)} & \dots & \tilde{w}_{\lceil r/2 \rceil}^{(c)} & 0 & 0 & \dots & 0 \\ 0 & 0 & \dots & 0 & \tilde{w}_1^{(c)} & \tilde{w}_2^{(c)} & \dots & \tilde{w}_{\lceil r/2 \rceil}^{(c)} \end{bmatrix} \quad (27)$$

$$\begin{bmatrix} x & x & 0 & 0 & \dots \\ 0 & 0 & x & x & \\ \vdots & & & & \ddots \\ x & x & 0 & 0 & \dots \\ 0 & 0 & x & x & \\ \vdots & & & & \ddots \end{bmatrix}.$$

Using the pair-wise orthogonality property in Eq. (26), and representing the precoder structure W as $W^{(c)}W^{(t)}$, the precoder structure can be further specialized into

$$W = \begin{bmatrix} \tilde{w}_1^{(c)} & \tilde{w}_2^{(c)} & \dots & \tilde{w}_{\lceil r/2 \rceil}^{(c)} & 0 & 0 & \dots & 0 \\ 0 & 0 & \dots & 0 & \tilde{w}_1^{(c)} & \tilde{w}_2^{(c)} & \dots & \tilde{w}_{\lceil r/2 \rceil}^{(c)} \end{bmatrix} \quad (28)$$

$$\begin{bmatrix} 1 & 1 & 0 & 0 & \dots \\ 0 & 0 & 1 & 1 & \\ \vdots & & & & \ddots \\ e^{j\phi_1} & -e^{j\phi_1} & 0 & 0 & \dots \\ 0 & 0 & e^{j\phi_2} & -e^{j\phi_2} & \\ \vdots & & & & \ddots \end{bmatrix}.$$

Note that the double block diagonal structure for the tuning precoder **76** can be described in different ways depending on the ordering of the columns in the conversion precoder **74**. It is possible to equivalently make the tuning precoder **76** block-diagonal by writing

$$W = \begin{bmatrix} \tilde{w}_1^{(c)} & 0 & \tilde{w}_2^{(c)} & 0 & \dots & \dots & \tilde{w}_{\lceil r/2 \rceil}^{(c)} & 0 \\ 0 & \tilde{w}_1^{(c)} & 0 & \tilde{w}_2^{(c)} & \dots & \dots & 0 & \tilde{w}_{\lceil r/2 \rceil}^{(c)} \end{bmatrix} \quad (29)$$

$$\begin{bmatrix} x & x & 0 & 0 & \dots & 0 & 0 \\ x & x & 0 & 0 & & & \vdots \\ 0 & 0 & x & x & & & \ddots \\ \vdots & & x & x & & & \\ & & & & 0 & 0 & \ddots \\ & & & & & & 0 & 0 \\ & & & & & & & x & x \\ 0 & 0 & 0 & 0 & \dots & 0 & x & x \end{bmatrix}.$$

Re-orderings similar to these do not affect the overall precoder W and are thus to be considered equivalents falling with the meaning of the terms “block diagonal conversion precoder” and “double block diagonal tuning precoder,” as used herein. It is also interesting to note that if the requirements on the orthogonality constraint and full PA utilization

25

are relaxed, the design for rank nested property can be summarized with the following structure for the tuning precoders 76

$$\begin{bmatrix} x & x & x & x & x & x \\ 0 & 0 & x & x & x & x \\ \vdots & & & x & x & \ddots \\ x & x & x & x & x & x \\ 0 & 0 & x & x & x & x \\ \vdots & & & x & x & \ddots \end{bmatrix} \quad (30)$$

Finally, it is worth mentioning that rank nested property can be useful when applied separately to the conversion precoders 74 and the tuning precoders 76. Even applying it only to the tuning precoders 76 can help save computational complexity, because precoder calculations across ranks can be re-used as long as the conversion precoder 74 remains fixed.

As an illustrative example for eight transmit antennas 14 at the transceiver 10, assume that Rank $r=1$

$$W = \begin{bmatrix} w_1^{(1)} \\ w_1^{(1)} \end{bmatrix} \begin{bmatrix} 1 \\ e^{j\varphi_k} \end{bmatrix} \quad (31)$$

 Rank $r=2$

$$W = \begin{bmatrix} w_1^{(1)} \\ w_1^{(1)} \end{bmatrix} \begin{bmatrix} 1 & 1 \\ e^{j\varphi_k} & -e^{j\varphi_k} \end{bmatrix} \quad (32)$$

 Rank $r=3$

$$W = \begin{bmatrix} w_1^{(1)} & w_2^{(1)} \\ w_1^{(1)} & w_2^{(1)} \end{bmatrix} \begin{bmatrix} 1 & 1 & 0 \\ 0 & 0 & 1 \\ e^{j\varphi_k} & e^{j\varphi_k} & 0 \\ 0 & 0 & e^{j\varphi_l} \end{bmatrix} \quad (33)$$

 Rank $r=4$

$$W = \begin{bmatrix} w_1^{(1)} & w_2^{(1)} \\ w_1^{(1)} & w_2^{(1)} \end{bmatrix} \begin{bmatrix} 1 & 1 & 0 & 0 \\ 0 & 0 & 1 & 1 \\ e^{j\varphi_k} & -e^{j\varphi_k} & 0 & 0 \\ 0 & 0 & e^{j\varphi_l} & -e^{j\varphi_l} \end{bmatrix} \quad (34)$$

 Rank $r=5$

$$W = \begin{bmatrix} w_1^{(1)} & w_2^{(1)} & w_3^{(1)} \\ w_1^{(1)} & w_2^{(1)} & w_3^{(1)} \end{bmatrix} \quad (35)$$

26

-continued

$$\begin{bmatrix} 1 & 1 & 0 & 0 & 0 \\ 0 & 0 & 1 & 1 & 0 \\ 0 & 0 & 0 & 0 & 1 \\ e^{j\varphi_k} & -e^{j\varphi_k} & 0 & 0 & 0 \\ 0 & 0 & e^{j\varphi_l} & -e^{j\varphi_l} & 0 \\ 0 & 0 & 0 & 0 & e^{j\varphi_m} \end{bmatrix}$$

5

10

 Rank $r=6$

$$W = \begin{bmatrix} w_1^{(1)} & w_2^{(1)} & w_3^{(1)} \\ w_1^{(1)} & w_2^{(1)} & w_3^{(1)} \end{bmatrix} \quad (36)$$

20

$$\begin{bmatrix} 1 & 1 & 0 & 0 & 0 & 0 \\ 0 & 0 & 1 & 1 & 0 & 0 \\ 0 & 0 & 0 & 0 & 1 & 1 \\ e^{j\varphi_k} & -e^{j\varphi_k} & 0 & 0 & 0 & 0 \\ 0 & 0 & e^{j\varphi_l} & -e^{j\varphi_l} & 0 & 0 \\ 0 & 0 & 0 & 0 & e^{j\varphi_m} & -e^{j\varphi_m} \end{bmatrix}$$

25

 Rank $r=7$

$$W = \begin{bmatrix} w_1^{(1)} & w_2^{(1)} & w_3^{(1)} & w_4^{(1)} \\ w_1^{(1)} & w_2^{(1)} & w_3^{(1)} & w_4^{(1)} \end{bmatrix} \quad (37)$$

30

$$\begin{bmatrix} 1 & 1 & 0 & 0 & 0 & 0 & 0 \\ 0 & 0 & 1 & 1 & 0 & 0 & 0 \\ 0 & 0 & 0 & 0 & 1 & 1 & 0 \\ 0 & 0 & 0 & 0 & 0 & 0 & 1 \\ e^{j\varphi_k} & -e^{j\varphi_k} & 0 & 0 & 0 & 0 & 0 \\ 0 & 0 & e^{j\varphi_l} & -e^{j\varphi_l} & 0 & 0 & 0 \\ 0 & 0 & 0 & 0 & e^{j\varphi_m} & -e^{j\varphi_m} & 0 \\ 0 & 0 & 0 & 0 & 0 & 0 & e^{j\varphi_n} \end{bmatrix}$$

40

45

 Rank $r=8$

$$W = \begin{bmatrix} w_1^{(1)} & w_2^{(1)} & w_3^{(1)} & w_4^{(1)} \\ w_1^{(1)} & w_2^{(1)} & w_3^{(1)} & w_4^{(1)} \end{bmatrix} \quad (38)$$

50

$$\begin{bmatrix} 1 & 1 & 0 & 0 & 0 & 0 & 0 & 0 \\ 0 & 0 & 1 & 1 & 0 & 0 & 0 & 0 \\ 0 & 0 & 0 & 0 & 1 & 1 & 0 & 0 \\ 0 & 0 & 0 & 0 & 0 & 0 & 1 & 1 \\ e^{j\varphi_k} & -e^{j\varphi_k} & 0 & 0 & 0 & 0 & 0 & 0 \\ 0 & 0 & e^{j\varphi_l} & -e^{j\varphi_l} & 0 & 0 & 0 & 0 \\ 0 & 0 & 0 & 0 & e^{j\varphi_m} & -e^{j\varphi_m} & 0 & 0 \\ 0 & 0 & 0 & 0 & 0 & 0 & e^{j\varphi_n} & -e^{j\varphi_n} \end{bmatrix}$$

60

The 4 Tx case follows in a similar manner.

Another aspect of the teachings herein relates to the use of sub-sampling of precoder codebook(s) for reducing the payload needed for precoder selection feedback reporting. To illustrate how sub-sampling of precoder codebooks can

be performed for reducing the payload size of the Channel State Information (CSI) reporting, consider the factorized precoder design discussed repeatedly herein. Namely, consider the case where an overall precoder W is represented by two precoders, each being one of two factors used to represent W in factorized form. This approach was seen earlier, with the use of a conversion precoder **74** denoted as $W^{(c)}$, and a tuning precoder **76** denoted as $W^{(t)}$. Thus, one has

$$W = \begin{bmatrix} \tilde{W}^{(c)} & 0 \\ 0 & \tilde{W}^{(t)} \end{bmatrix} W^{(t)}. \quad (39)$$

If the codebook for the antenna group precoder $\tilde{W}^{(c)}$ contains a set of DFT based precoders, then these precoders can be sub-sampled by lowering the oversampling factor. This example of sub-sampling results in only being able to use every K :th beam in the grid of beams. Sub-sampling of the codebook can also be performed by selecting the M precoders out of N precoders in the codebook, which maximizes the minimum distance between the selected precoders on the Grassmanian manifold. Distances here can be measured, for example, as Chordal distance, projection two-norm distance, or Fubini-Study distance.

Sub-sampling principles as described above can also be applied to the tuning precoders **76** or to any precoder design. The sub-sampled codebooks can then be used on lower payload capable channels, e.g., PUCCH in LTE, while the full codebooks are used on the more capable ones, e.g., PUSCH in LTE. This approach can be understood as using sub-sampling to provide “coarse” CSI reporting on the PUCCH, while providing richer, higher-resolution CSI reporting on the PUSCH. For example, the use of codebook subset restrictions allows an LTE eNodeB to configure a UE to only use a subset of precoders in a codebook, for computing and reporting CSI feedback (including the precoder selection feedback **44**).

Further, some of the useful constraints on precoder selection by a UE or other targeted transceiver, such as precoders satisfying full PA utilization and rank nested property, might be too restrictive when it comes to MU-MIMO operation, for example. This is because MU-MIMO operation requires more freedom in the precoder design for increased spatial resolution and resulting improved UE separation. Thus, one aspect of the teachings herein is to reduce the signaling overhead for signaling precoder restrictions by pre-defining one or more precoder subsets, with one subset designated for MU-MIMO and the other subset designated for SU-MIMO. Signaling those subsets requires much less overhead since the individual precoders in each subset no longer need to be explicitly signaled. Indeed, a single-bit flag can be used to indicate which one of the two subsets is to be considered by the UE as “currently permitted.”

In more detail, one of the predefined subsets **50** of overall precoders **28** within the codebook **26** can be all overall precoders **28** that satisfy the full PA utilization and rank nested property criteria. This subset would specifically target SU-MIMO operation. Another subset **50** in the codebook **26** could correspond to some or all of the overall precoders **28** in the codebook **26**, including those that violate full PA utilization and rank nested property. This latter subset **50** could be used for MU-MIMO, both SU-MIMO and MU-MIMO. Moreover, the precoder subsets can be specified

across all ranks, or alternatively, precoder subsets together with rank subsets can be signaled, for greater control from the network side.

When the overall precoders **28** in the codebook **26** are represented as defined sets **80** and **86** of conversion and tuning precoders **74** and **76**, subsets and subset restrictions may be defined separately for the conversion precoders **74** and the tuning precoders **76**. Or, subset restrictions may be applied just to the conversion precoders **74**, or just to the tuning precoders **76**. In particular, it can be useful to apply codebook subset restrictions only to the conversion precoders **74**. This is so because the conversion precoders **74** are the ones primarily affected by the MIMO mode in use (SU-MIMO or MU-MIMO).

Of course, the teachings herein are not limited to the specific, foregoing examples and accompanying illustrations. For example, terminology from 3GPP LTE was used in this disclosure to provide a relevant and advantageous context for understanding operations at the transceivers **10** and **12**, which were identified in one or more embodiments as being an LTE eNodeB and an LTE UE, respectively. However, the use of parameterized codebooks **26** may be used in other wireless systems, including but not limited to WCDMA, WiMax, UMB and GSM.

Further, the transceiver **10** and the transceiver **12** are not necessarily a base station and an item of mobile equipment within a standard cellular network, although the teachings herein have advantages in such a context. Moreover, while the particular wireless network examples given herein involve the “downlink” from an eNodeB or other network base station, the teachings presented herein also have applicability to the uplink. More broadly, it will be understood that the teachings herein are limited by the claims and their legal equivalents, rather than by the illustrative examples given herein.

What is claimed is:

1. A method in a wireless communication transceiver of controlling precoder selection feedback sent to another wireless communication transceiver that precodes transmissions to the transceiver, wherein said precoder selection feedback indicates precoder selections by said transceiver, said method characterized by:

receiving restriction signaling from the other transceiver that identifies one or more permitted subsets within a defined set of overall precoders, or, where the defined set of overall precoders is represented by defined sets of conversion precoders and tuning precoders, said restriction signaling identifies one or more permitted subsets of precoders, within the defined sets of said conversion precoders and tuning precoders; and generating said precoder selection feedback for sending to the other transceiver based on restricting precoder selections by said transceiver according to said restriction signaling; wherein respective combinations of conversion and tuning precoders correspond to respective ones of the overall precoders.

2. The method of claim 1, further characterized in that a conversion precoder codebook contains said defined set of conversion precoders and a tuning precoder codebook contains said defined set of tuning precoders, and wherein said restriction signaling indicates at least one of:

a permitted subset of conversion precoders in said conversion precoder codebook; and
a permitted subset of tuning precoders in said tuning precoder codebook.

29

3. The method of claim 2, further characterized in that said precoder selection feedback comprises indications of a selected conversion precoder as selected by said transceiver from said permitted subset of conversion precoders in said conversion precoder codebook, and a selected tuning precoder as selected by said transceiver from said permitted subset of tuning precoders in said tuning precoder codebook.

4. The method of claim 2, further characterized in that said precoder selection feedback comprises index values identifying codebook entries within said conversion and tuning precoder codebooks, as selected by said transceiver.

5. The method of claim 1, further characterized by at least one of:

two or more predefined subsets of conversion precoders and two or more predefined subsets of tuning precoders[.]; and

wherein said restriction signaling indicates at least one of: the permitted subset of conversion precoders among said two or more predefined subsets of conversion precoders, and the permitted subset of tuning precoders among said two or more predefined subsets of tuning precoders.

6. The method of claim 5, further characterized in that [a] at least one of the predefined subsets contains only precoders such that corresponding overall precoders fulfill a full PA utilization property, while at least one other one of the predefined subsets contains precoders such that corresponding overall precoders do not fulfill the full PA utilization property;

wherein the rows of an overall precoder matrix obeying the full PA utilization property all have the same l^2 -norm, where l^2 -norm of a row x with elements x_k is defined as

$$\sqrt{\sum_k |x_k|^2}.$$

7. The method of claim 5, further characterized in that one or more of the predefined subsets are associated with a first operating mode of said transceiver or said other transceiver, while one or more other ones of the predefined subsets are associated with a second operating mode of said transceiver or said other transceiver, and wherein said restriction signaling identifies the one or more permitted subsets of precoders by indicating which operating mode applies.

8. The method of claim 1, further characterized in that said defined set of conversion precoders or said defined set of tuning precoders are divided into one or more first subsets of precoders associated with Single-User Multiple-Input-Multiple-Output, SU-MIMO, operation of the other transceiver and one or more second subsets of precoders associated with Multiple-User MIMO, MU-MIMO, operation of the other transceiver, and wherein said restriction signaling identifies the one or more permitted subsets of precoders by indicating whether SU-MIMO or MU-MIMO operation applies.

9. The method of claim 1, further characterized in that said defined set of conversion precoders includes $N_T Q$ different conversion precoders and said defined set of tuning precoders includes a number of corresponding tuning precoders, and wherein each said conversion precoder comprises a block diagonal matrix in which each block comprises a DFT-based precoder that defines $N_T Q$ different DFT based beams for a subgroup in a group of N_T transmit antenna ports at the other transceiver, where Q is an integer

30

value and where the $N_T Q$ different conversion precoders, together with one or more of the tuning precoders, correspond to a set of $N_T Q$ different overall precoders, each overall precoder thus representing a size— N_T DFT-based beam over the group of N_T transmit antennas ports.

10. The method of claim 1, wherein the other transceiver comprises a base station in a wireless communication network and said transceiver comprises a user equipment, and wherein the method is further characterized by receiving said restriction signaling at least in part as Radio Resource Control (RRC) layer signaling.

11. A wireless communication transceiver configured to control precoder selection feedback sent to another wireless communication transceiver that precodes transmissions to the transceiver, wherein said precoder selection feedback indicates precoder selections by said transceiver, said transceiver characterized by:

a receiver configured to receive restriction signaling from the other transceiver that identifies one or more permitted subsets within a defined set of overall precoders, or, where the defined set of overall precoders is represented by defined sets of conversion precoders and tuning precodes, said restriction signaling identifies one or more permitted subsets of precoders within the defined sets of said conversion precoders and said tuning precoders; and

a precoding feedback generator configured to generate said precoder selection feedback for sending to the other transceiver, based on restricting precoder sections by said transceiver according to the restriction signaling;

wherein respective combinations of conversion and tuning precoders correspond to respective ones of the overall precoders.

12. The transceiver of claim 11, further characterized in that said transceiver stores a representation of a conversion precoder codebook containing said defined set of conversion precoders and a representation of a tuning precoder codebook containing said defined set of tuning precoders, and wherein said restriction signaling indicates at least one of:

a permitted subset of conversion precoders in said conversion precoder codebook; and
a permitted subset of tuning precoders in said tuning precoder codebook.

13. The transceiver of claim 12, further characterized in that said precoder selection feedback comprises indications of a selected conversion precoder as selected by said transceiver from said permitted subset of conversion precoders in said conversion precoder codebook, and a selected tuning precoder as selected by said transceiver from said permitted subset of tuning precoders in said tuning precoder codebook.

14. The transceiver of claim 12, further characterized in that said precoding feedback generator is configured to generate the precoder selection feedback as index values identifying codebook entries within said conversion and tuning precoder codebooks, as selected by said transceiver.

15. The transceiver of claim 11, further characterized by at least one of:

said transceiver storing two or more representations of predefined subsets of conversion precoders and two or more representations of predefined subsets of tuning precoders[.]; and

wherein said restriction signaling indicates at least one of: the permitted subset of conversion precoders among said two or more predefined subsets of conversion

31

precoders, and the permitted subset of tuning precoders among said two or more predefined subsets of tuning precoders.

16. The transceiver of claim 15, further characterized in that [a] at least one of the predefined subsets contains only precoders such that corresponding overall precoders fulfill a full PA utilization property for the other transceiver, while at least one other one of the predefined subsets contains precoders such that corresponding overall precoders do not fulfill the full PA utilization property;

wherein the rows of an overall precoder matrix obeying the full PA utilization property all have the same l^2 -norm, where l^2 -norm of a row x with elements x_k is defined as

$$\sqrt{\sum_k |x_k|^2}.$$

17. The transceiver of claim 15, further characterized in that one or more of said predefined subsets are associated with a first operating mode of said transceiver or the other transceiver, while one or more other ones of the predefined subsets are associated with a second operating mode of said transceiver or the other transceiver, and wherein said restriction signaling identifies the one or more permitted subsets of precoders by indicating which operating mode applies.

18. The transceiver of claim 11, further characterized in that said defined set of conversion precoders or said defined set of tuning precoders are divided into one or more first subsets of precoders associated with Single-User Multiple-Input-Multiple-Output, SU-MIMO, operation of the other transceiver and one or more second subsets of precoders associated with Multiple-User MIMO, MU-MIMO, operation of the other transceiver, and wherein said restriction signaling identifies the one or more permitted subsets of precoders by indicating whether SU-MIMO or MU-MIMO operation applies.

19. The transceiver of claim 11, further characterized in that said defined set of conversion precoders includes $N_T Q$ different conversion precoders and said defined set of tuning precoders includes a number of corresponding tuning precoders, and wherein each said conversion precoder comprises a block diagonal matrix in which each block comprises a DFT-based precoder that defines $N_T Q$ different DFT based beams for a subgroup in a group of N_T transmit antenna ports at the other transceiver, where Q is an integer value and where the $N_T Q$ different conversion precoders, together with one or more of the tuning precoders, correspond to a set of $N_T Q$ different overall precoders, each overall precoder thus representing a size— N_T DFT-based beam over the group of N_T transmit antennas ports.

20. The transceiver of claim 11, wherein the other transceiver comprises a base station in a wireless communication network and said transceiver comprises a user equipment, and wherein said transceiver is configured to receive said restriction signaling at least in part as Radio Resource Control (RRC) layer signaling.

21. A transceiver configured to precoder transmissions to another transceiver based at least in part on receiving precoder selection feedback from the other transceiver that indicates an overall precoder for consideration by said transceiver in precoding to the other transceiver, said transceiver including a receiver for receiving said precoder selection feedback from the other transceiver and characterized by:

32

a precoding controller configured to determine a restriction that limits precoder selection by the other transceiver to one or more permitted subsets of overall precoders within a defined set of overall precoders, or to one or more permitted subsets of precoders within defined sets of conversion precoders and tuning precoders, wherein each overall precoder is equivalently represented by a unique combination of one conversion precoder and one tuning precoder within the defined sets, and to generate restriction signaling for indicating said one or more permitted subsets to the other transceiver; and

a transmitter cooperatively associated with said precoding controller and configured for transmitting said restriction signaling to the other transceiver;

wherein respective combinations of conversion and tuning precoders correspond to respective ones of the overall precoders in the defined set of overall precoders.

22. The transceiver of claim 21, wherein said other transceiver stores a representation of a conversion precoder codebook containing said defined set of conversion precoders and a representation of a tuning precoder codebook containing said defined set of tuning precoders, and wherein the transceiver is further characterized in that said transceiver is configured to generate the restriction signaling to indicate at least one of:

a permitted subset of conversion precoders in said conversion precoder codebook; and

a permitted subset of tuning precoders in said tuning precoder codebook.

23. The transceiver of claim 21, further characterized in that said precoder selection feedback comprises indications of a selected conversion precoder as selected by said transceiver from said permitted subset of conversion precoders in said conversion precoder codebook, and a selected tuning precoder as selected by said transceiver from said permitted subset of tuning precoders in said tuning precoder codebook, and wherein said transceiver is configured to determine the overall precoder from the defined set of overall precoders corresponding to said indications in said precoder selection feedback.

24. The transceiver of claim 21, further characterized in that the transceiver maintains a codebook representation of said defined set of overall precoders and uses indications of selected conversion and tuning precoders conveyed by said precoder selection feedback to identify the overall precoder selected by the other transceiver.

25. The transceiver of claim 21, wherein said restriction signaling comprises a mode indicator that identifies one of a first and a second transmission mode, and wherein said precoding controller sets the mode indicator in dependence on whether the transceiver is operating in the first or the second transmission mode, and wherein one or more subsets among said defined sets of conversion precoders and tuning precoders at the other transceiver are permitted for said first transmission mode, and one or more other ones of the subsets among said defined sets of conversion precoders and tuning precoders at said other transceiver are permitted for said second transmission mode.

26. The transceiver of claim 21, further characterized in that said transceiver comprises a base station in a wireless communication network.

27. A method in a wireless communication transceiver that is configured to precoder transmissions to another transceiver based at least in part on receiving precoder selection feedback from said other transceiver that indicates an overall

precoder for consideration by said transceiver in precoding to the other transceiver, said method characterized by:

determining a restriction that limits precoder selection by the other transceiver one or more permitted subsets of overall precoders within a defined set of overall precoders or to one or more permitted subsets of precoders within defined sets of conversion precoders and tuning precoders, wherein each overall precoder is equivalently represented by a unique combination of one conversion precoder and one tuning precoder within the defined sets;

generating restriction signaling for indicating the one or more permitted subsets to said other transceiver; and sending the restriction signaling to the other transceiver, to restrict precoder selection by the other transceiver to the one or more permitted subsets;

wherein respective combinations of conversion and tuning precoders correspond to respective ones of the overall precoders is the defined set of overall precoders.

28. The method of claim **27**, wherein said other transceiver stores a representation of a conversion precoder codebook containing said defined set of conversion precoders and a representation of a tuning precoder codebook containing said defined set of tuning precoders, and wherein the method is further characterized by said transceiver generating the restriction signaling to indicate at least one of:

a permitted subset of conversion precoders in said conversion precoder codebook; and

a permitted subset of tuning precoders in said tuning precoder codebook.

29. The method of claim **27**, further characterized in that said precoder selection feedback comprises indications of a

selected conversion precoder as selected by said transceiver from said permitted subset of conversion precoders in said conversion precoder codebook, and a selected tuning precoder as selected by said transceiver from said permitted subset of tuning precoders in said tuning precoder codebook, and said transceiver determining the overall precoder from the defined set of overall precoders corresponding to said indications in said precoder selection feedback.

30. The method of claim **27**, further characterized in that said transceiver maintains a codebook representation of the defined set of overall precoders and said method further comprises using indications of selected conversion and tuning precoders conveyed by said precoder selection feedback to identify the overall precoder selected by the other transceiver.

31. The method of claim **27**, further characterized in that said restriction signaling comprises a mode indicator that identifies one of a first and a second transmission mode, and wherein said method further comprises setting the mode indicator in dependence on whether the transceiver is operating in the first or the second transmission mode, and wherein one or more subsets among said defined sets of conversion precoders and tuning precoders at the other transceiver are permitted for said first transmission mode, and one or more other ones of the subsets among said defined sets of conversion precoders and tuning precoders at the other transceiver are permitted for said second transmission mode.

32. The method of claim **27**, further characterized in that said transceiver comprises a base station in a wireless communication network.

* * * * *

UNITED STATES PATENT AND TRADEMARK OFFICE
CERTIFICATE OF CORRECTION

PATENT NO. : RE47,074 E
 APPLICATION NO. : 15/044998
 DATED : October 2, 2018
 INVENTOR(S) : Hammarwall et al.

Page 1 of 3

It is certified that error appears in the above-identified patent and that said Letters Patent is hereby corrected as shown below:

In the Specification

$$\begin{aligned} HW &= [H_f \ H_s] W^{(c)} W^{(t)} \\ &= [H_f \ H_s] \begin{bmatrix} \tilde{W}^{(c)} & 0 \\ 0 & \tilde{W}^{(c)} \end{bmatrix} W^{(t)} \\ &= [H_f \tilde{W}^{(c)} \ H_s \tilde{W}^{(c)}] \\ &= H_{eff} W^{(t)} \end{aligned}$$

In Column 5, Lines 2-8, delete “ $= H_{eff} W^{(t)}$ ” and insert

$$\begin{aligned} HW &= [H_f \ H_s] W^{(c)} W^{(t)} \\ &= [H_f \ H_s] \begin{bmatrix} \tilde{W}^{(c)} & 0 \\ 0 & \tilde{W}^{(c)} \end{bmatrix} W^{(t)} \\ &= [H_f \tilde{W}^{(c)} \ H_s \tilde{W}^{(c)}] W^{(t)} = H_{eff} W^{(t)} \end{aligned}$$

--, therefor.

In Column 7, Line 33, delete “identities” and insert -- identifies --, therefor.

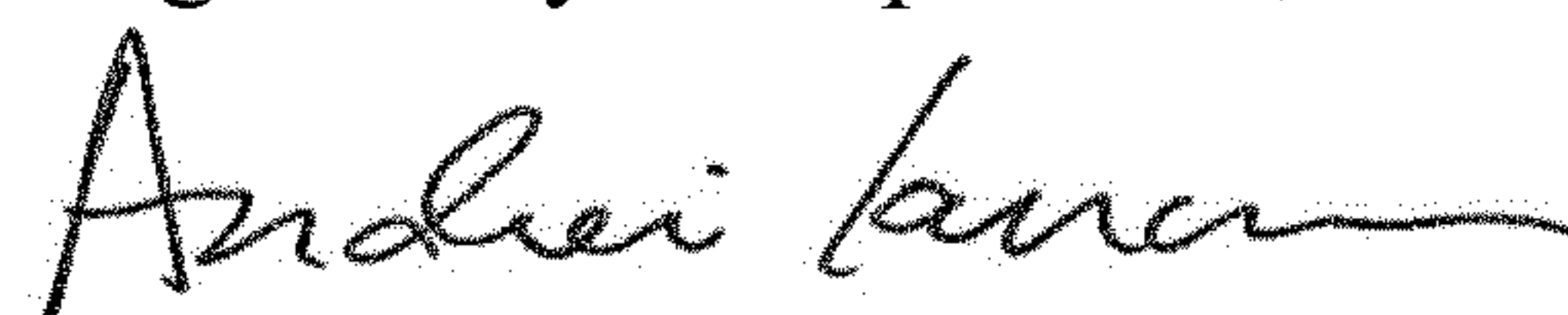
In Column 11, Line 7, delete “in the both the” and insert -- in both the --, therefor.

In Column 16, Line 64, delete “front” and insert -- from --, therefor.

In Column 18, Line 16, delete “layer processing circuitry 82,” and insert -- layer processing circuitry 92, --, therefor.

In Column 18, Line 48, delete “precoders antenna” and insert -- precoders for antenna --, therefor.

Signed and Sealed this
 Eighth Day of September, 2020



Andrei Iancu
 Director of the United States Patent and Trademark Office

In Column 19, Lines 41-42, delete “ $W = w_n^{(N_T, Q)} = \left(\left[w_{1,n}^{(N_T, Q)} \ w_{2,n}^{(N_T, Q)} \ \dots \ w_{N_T,n}^{(N_T, Q)} \right] \right)^T$,”

and insert -- $W = w_n^{(N_T, Q)} = \left[w_{1,n}^{(N_T, Q)} \ w_{2,n}^{(N_T, Q)} \ \dots \ w_{N_T,n}^{(N_T, Q)} \right]^T$ --, therefor.

In Column 20, Lines 26-28, delete “ $\left\{ \left[\begin{matrix} 1 \\ \exp(j\frac{\pi}{Q}n) \end{matrix} \right] : n = 0, 1, \dots, 2Q - 1 \right\}$ ” and insert

-- $\left\{ \left[\begin{matrix} 1 \\ \exp(j\frac{\pi}{Q}n) \end{matrix} \right] : n = 0, 1, \dots, 2Q - 1 \right\}$,
 --, therefor.

$$\begin{aligned} w_{m, Q_t l + \frac{Q_t}{Q_e} q' + \bar{q}}^{(N_T, Q_t)} &= \exp\left(j \frac{2\pi}{N_T} m \left(l + \frac{1}{Q_t} \left(\frac{Q_t}{Q_e} q' + \bar{q} \right) \right)\right) \\ &= \exp\left(j \frac{2\pi}{N_T} m \left(l + \frac{q'}{Q_e} \right)\right) \exp\left(j \frac{2\pi}{N_T} m \frac{\bar{q}}{Q_t}\right) \\ &= w_{m, Q_e l + q'}^{(N_T, Q_e)} \exp\left(j \frac{2\pi}{N_T} m \frac{\bar{q}}{Q_t}\right) \end{aligned}$$

In Column 22, Lines 48-54, delete “” and insert

$$\begin{aligned} w_{m, Q_t l + \frac{Q_t}{Q_e} q' + \bar{q}}^{(N_T, Q_t)} &= \exp\left(j \frac{2\pi}{N_T} m \left(l + \frac{1}{Q_t} \left(\frac{Q_t}{Q_e} q' + \bar{q} \right) \right)\right) \\ &= \exp\left(j \frac{2\pi}{N_T} m \left(l + \frac{q'}{Q_e} \right)\right) \exp\left(j \frac{2\pi}{N_T} m \frac{\bar{q}}{Q_t}\right) \\ &= w_{m, Q_e l + q'}^{(N_T, Q_e)} \exp\left(j \frac{2\pi}{N_T} m \frac{\bar{q}}{Q_t}\right) \end{aligned}$$

--, therefor.

In Column 23, Line 6, delete “ $A_{\bar{q}}$ ” and insert -- $\Lambda_{\bar{q}}$ --, therefor.

In Column 23, Lines 49-53, delete “ $\begin{bmatrix} \mathbf{x} \\ 0 \\ \mathbf{x} \\ 0 \end{bmatrix} \cdot \begin{bmatrix} 0 \\ \mathbf{x} \\ 0 \\ \mathbf{x} \end{bmatrix}$ ” and insert -- $\begin{bmatrix} \mathbf{x} \\ 0 \\ \mathbf{x} \\ 0 \end{bmatrix} \cdot \begin{bmatrix} 0 \\ \mathbf{x} \\ 0 \\ \mathbf{x} \end{bmatrix}$ --, therefor.

In the Claims

In Column 30, Line 24, in Claim 11, delete “tuning precodes,” and insert -- tuning precoders, --, therefor.

In Column 33, Line 4, in Claim 27, delete “transceiver one” and insert -- transceiver to one --, therefor.

In Column 33, Line 19, in Claim 27, delete “precoders is the” and insert -- precoders in the --, therefor.