



US00RE47040E

(19) **United States**
(12) **Reissued Patent**
Hynes

(10) **Patent Number:** **US RE47,040 E**
(45) **Date of Reissued Patent:** **Sep. 18, 2018**

(54) **BLACK WINE RACK FACE**
(71) Applicant: **VINOTEMP INTERNATIONAL CORPORATION**, Rancho Dominguez, CA (US)
(72) Inventor: **India Hynes**, Newport Beach, CA (US)
(73) Assignee: **Vinotemp International Corporation**, Irvine, CA (US)

(74) *Attorney, Agent, or Firm* — Knobbe, Martens, Olson & Bear, LLP

(21) Appl. No.: **29/528,194**
(22) Filed: **Aug. 25, 2015**

(57) **CLAIM**
The ornamental design for a black wine rack face, as shown and described.

Related U.S. Patent Documents

DESCRIPTION

Reissue of:
(64) Patent No.: **Des. 711,936**
Issued: **Aug. 26, 2014**
Appl. No.: **29/445,271**
Filed: **Feb. 8, 2013**
(51) **LOC (11) Cl.** **15-07**
(52) **U.S. Cl.**
USPC **D15/89**
(58) **Field of Classification Search**
USPC D15/79, 81, 83-89; D25/119; D3/304, D3/313, 315; D6/336, 406.1, 406.3, 510;
(Continued)

[FIG. 1 is a top perspective view of a black wine rack face within a wine cabinet showing my new design;]
[FIG. 2 is is a top perspective view of a black wine rack face standing alone showing my new design]
[FIG. 3 is a front view thereof; FIG. 3 is a top view of the black wine rack face of FIG. 1;]
[FIG. 4 is a rear view of the black wine rack face of FIG. 1;]
[FIG. 5 is a left side view thereof, the right side being a mirror image thereof;]
[FIG. 6 is a top plan view thereof; and,]
[FIG. 7 is a bottom plan view thereof.]
[Elements shown in dashed, dotted or broken lines form no part of the design.]
FIG. 8 is a top perspective view of a black wine rack face within a wine cabinet showing my new design;
FIG. 9 is a top perspective view of a black wine rack face standing alone showing my new design;
FIG. 10 is a front view thereof;
FIG. 11 is a rear view thereof;
FIG. 12 is a left side view thereof, the right side being a mirror image thereof;
FIG. 13 is a top plan view thereof; and,
FIG. 14 is a bottom plan view thereof.
The broken lines illustrate environmental structure of a wine rack and portions of a wine race face thereto that do not form part of the claimed design. The diagonal cross-hatched lines are provided to represent the solid color black.

(56) **References Cited**
U.S. PATENT DOCUMENTS
D238,536 S 1/1976 Scherzer
D284,630 S * 7/1986 Ferdinand D6/511
(Continued)

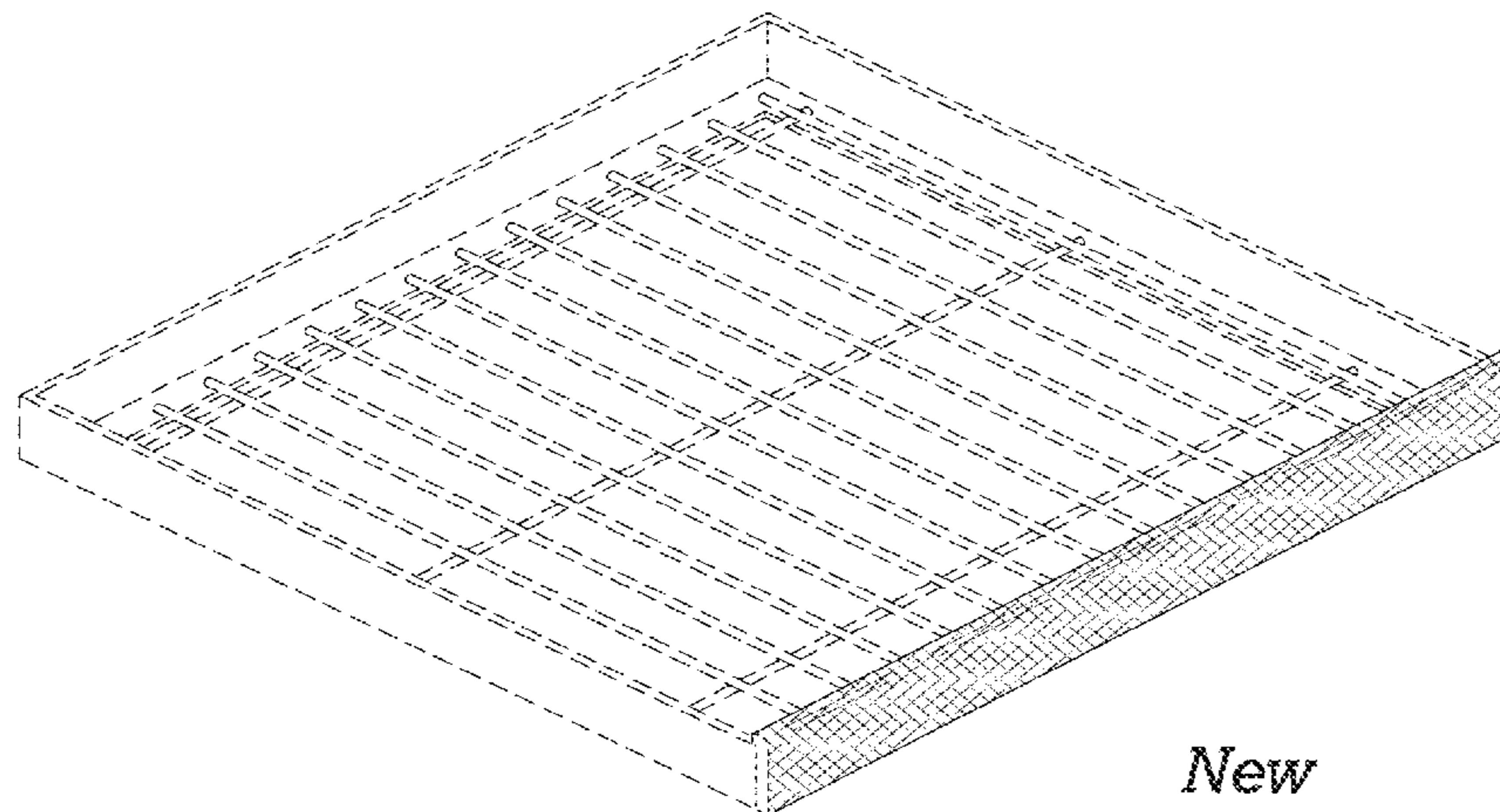
OTHER PUBLICATIONS

1 Claim, 6 Drawing Sheets

US District Court, Southern District of New York, Complaint, *Wine Enthusiast, Inc., vs. Vinotemp International Corporation*, dated Sep. 6, 2017, in 19 pages.

Matter enclosed in heavy brackets [] appears in the original patent but forms no part of this reissue; matter printed in italics indicates the additions made by reissue.

Primary Examiner — Darlington Ly



(58) **Field of Classification Search**

USPC D7/510, 511, 549, 550.1, 552.1,
D7/553.1–553.4, 555, 600.1–600.4,
D7/701–708
CPC A47B 55/02; A47B 73/002; A47B 73/008;
F25D 25/02; F25D 25/024; F25D 31/007
See application file for complete search history.

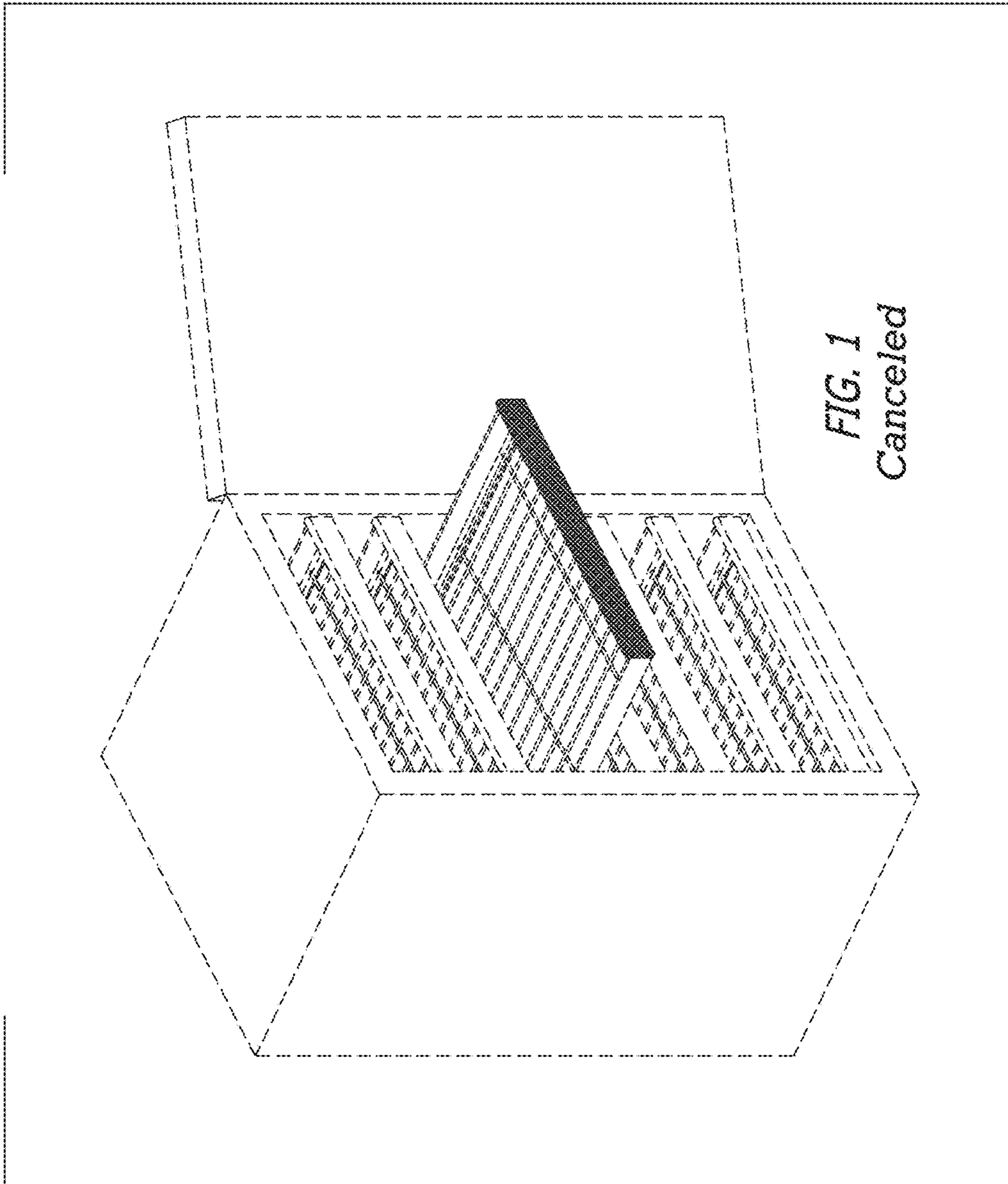
(56) **References Cited**

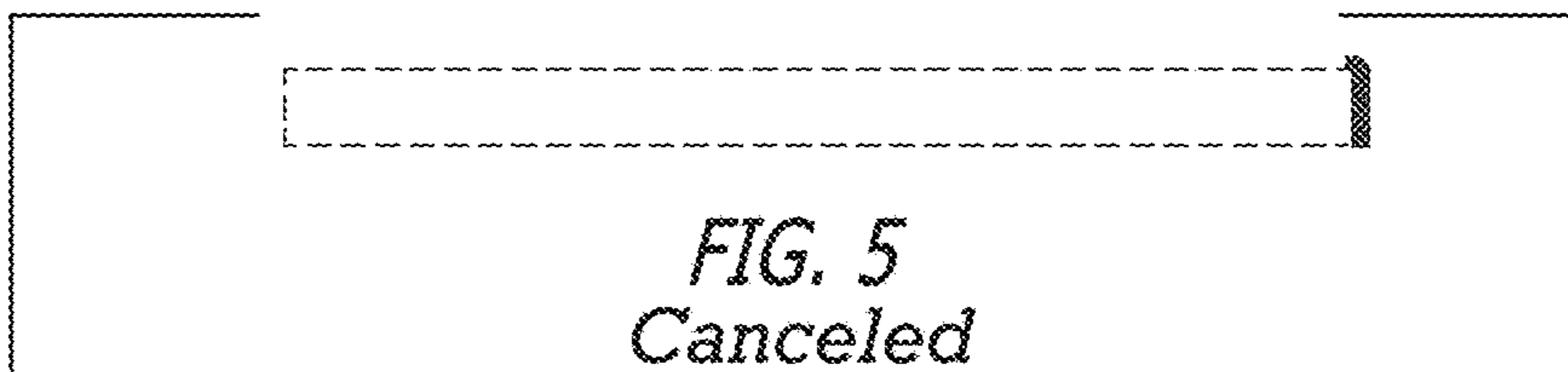
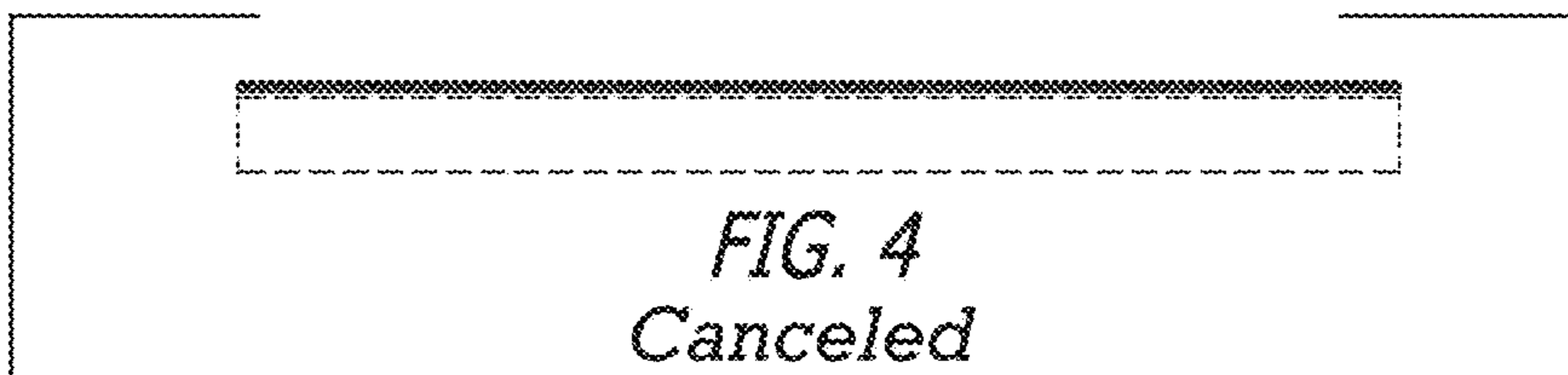
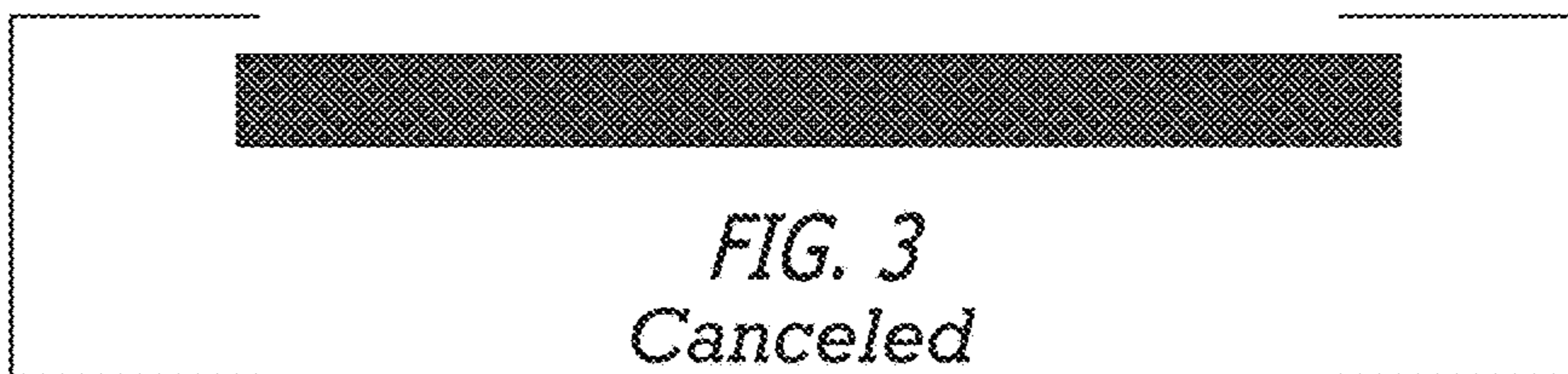
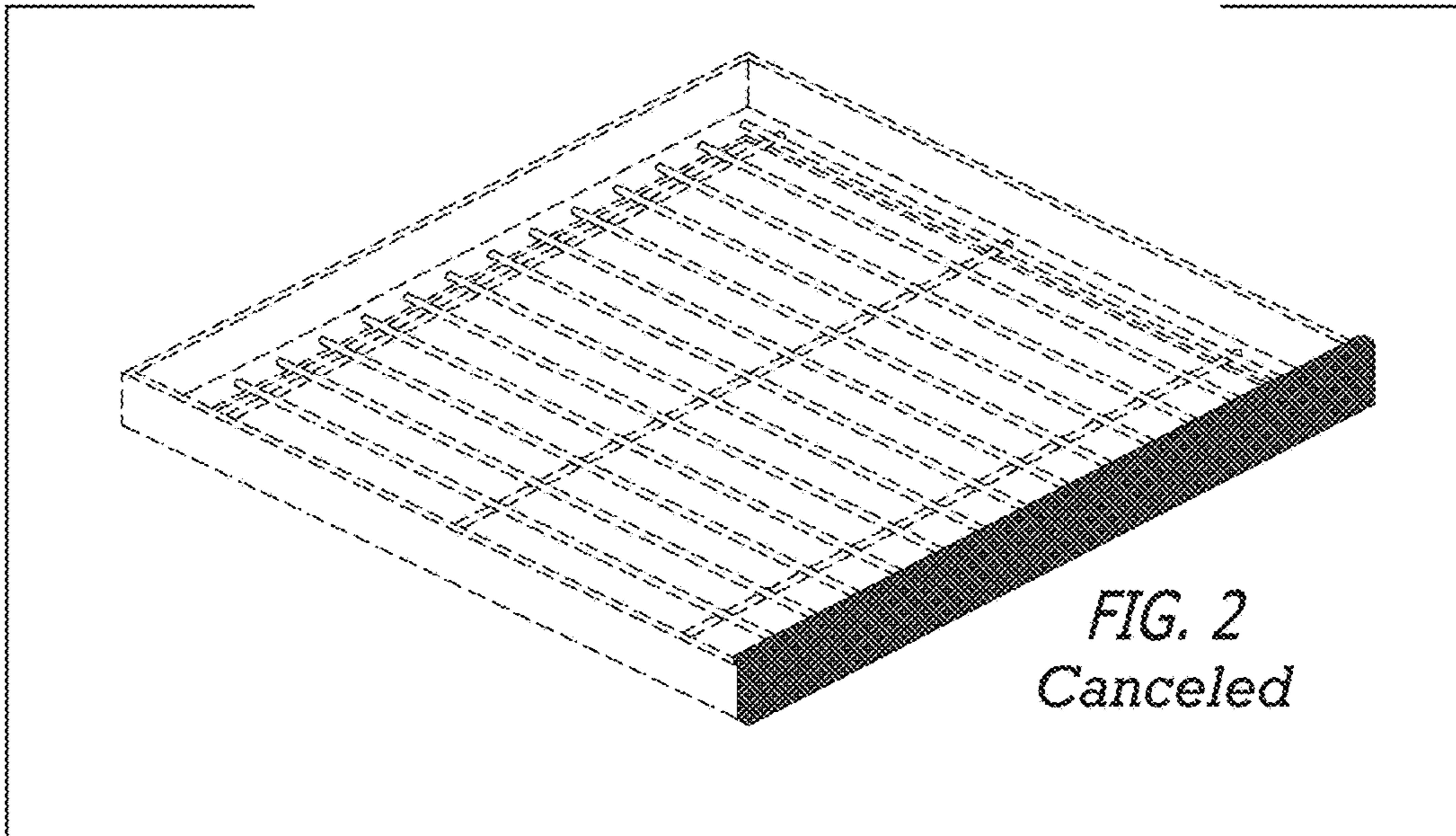
U.S. PATENT DOCUMENTS

D382,735 S * 8/1997 Zapf D6/492
D415,482 S * 10/1999 Jolson D14/447
D475,374 S * 6/2003 Segers D15/89
D478,601 S * 8/2003 Becke D15/81
D511,013 S * 10/2005 Bullock, Jr. D25/119
D512,081 S * 11/2005 Chang D15/81
D519,133 S * 4/2006 Chang D15/81
D524,830 S * 7/2006 Lei et al. D15/81
D529,630 S * 10/2006 Zarb D25/119
7,165,371 B2 * 1/2007 Yoyasu 52/716.5
D550,256 S * 9/2007 Lei et al. D15/81
D551,262 S * 9/2007 Becke D15/89
D566,490 S 4/2008 Frentzel
D576,023 S * 9/2008 Urmson, Jr. D8/382
D595,357 S * 6/2009 Simpson D19/88
D607,242 S * 1/2010 Clausen D6/707.24
D618,932 S * 7/2010 Linder D6/675.1
D625,941 S * 10/2010 Holzer D6/510
D627,374 S * 11/2010 Yang D15/81

D630,230 S * 1/2011 Yang D15/81
D630,231 S * 1/2011 Yang et al. D15/81
D638,237 S * 5/2011 Holzer D6/510
D639,827 S * 6/2011 Chen D15/81
D660,327 S * 5/2012 Doberstein et al. D15/89
D660,461 S * 5/2012 Kotin et al. D25/119
D660,984 S * 5/2012 Kotin et al. D25/119
D664,149 S * 7/2012 Crisp D14/459
D672,174 S * 12/2012 Artus D6/705
D684,400 S * 6/2013 Gasser D6/705.5
D694,290 S 11/2013 Hottmann et al.
D698,372 S * 1/2014 Brenneis D15/81
D700,221 S * 2/2014 Ringemann et al. D15/89
D717,080 S * 11/2014 Dworman D6/657
D719,987 S * 12/2014 Lee D15/89
D723,593 S * 3/2015 Ryu D15/89
D726,455 S * 4/2015 Collini D6/661
9,028,020 B2 * 5/2015 Gossens A47B 73/00
312/408
D736,751 S * 8/2015 Lee D14/248
9,211,009 B2 * 12/2015 Greenwood A47B 88/18
D747,836 S * 1/2016 Cho D32/6
2003/0117051 A1 * 6/2003 Kweon A47B 96/025
312/408
2005/0258118 A1 * 11/2005 Lee et al. 211/134
2007/0096607 A1 * 5/2007 Ricchetti A47B 63/00
312/184
2007/0228909 A1 * 10/2007 Hwang et al. 312/408
2008/0061665 A1 * 3/2008 Lautenschlager .. A47B 88/0014
312/333

* cited by examiner





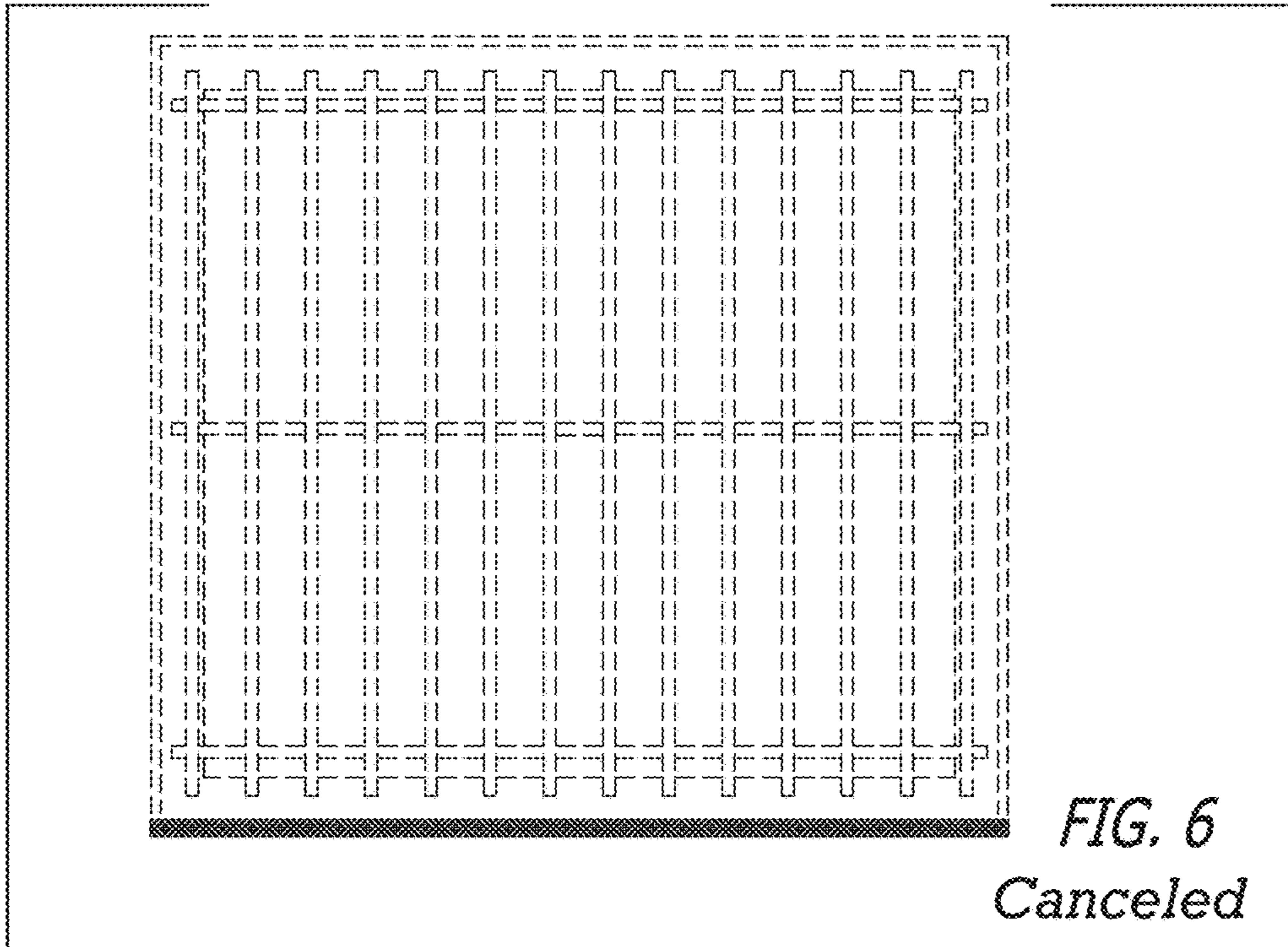


FIG. 6
Canceled

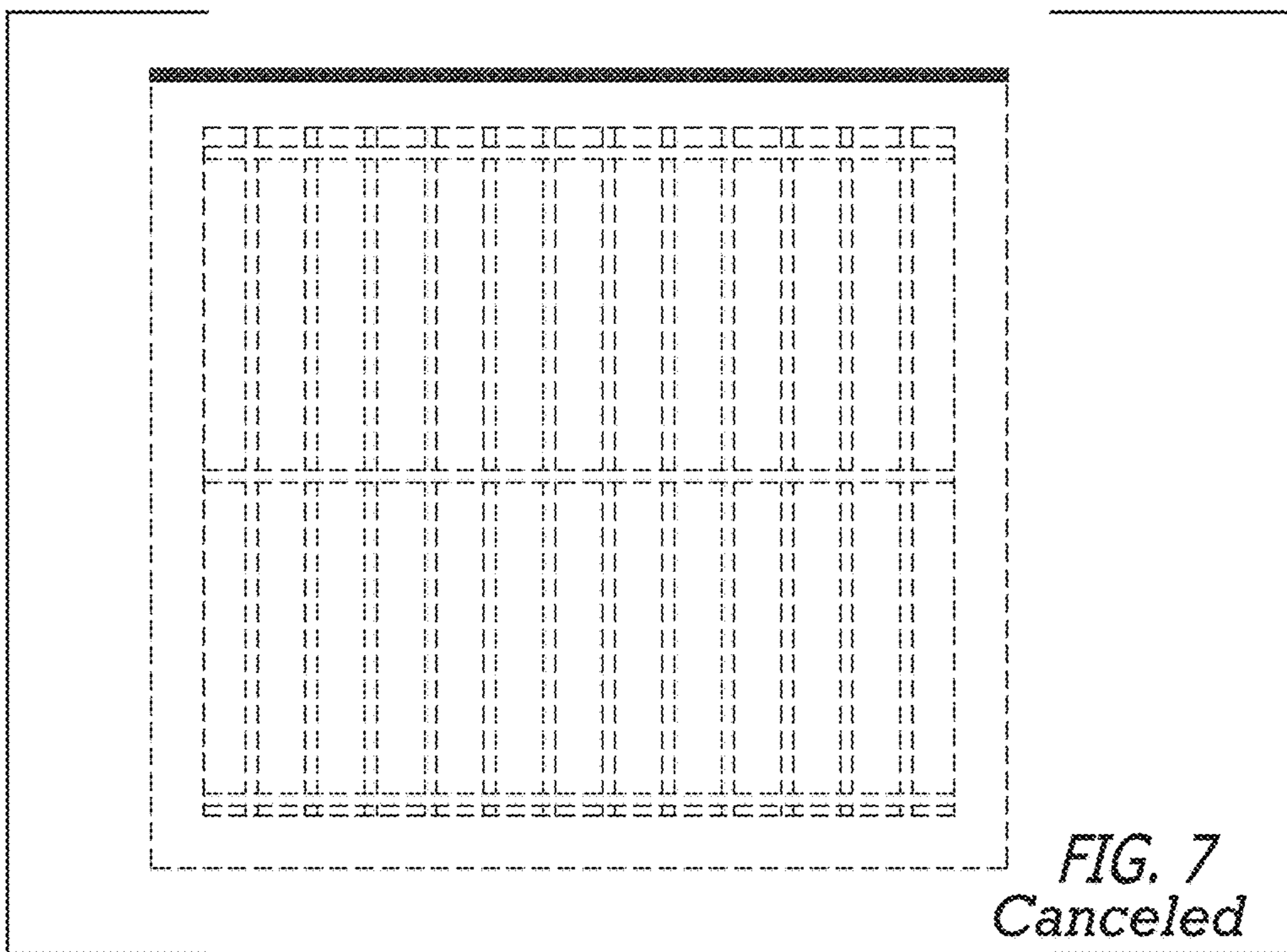


FIG. 7
Canceled

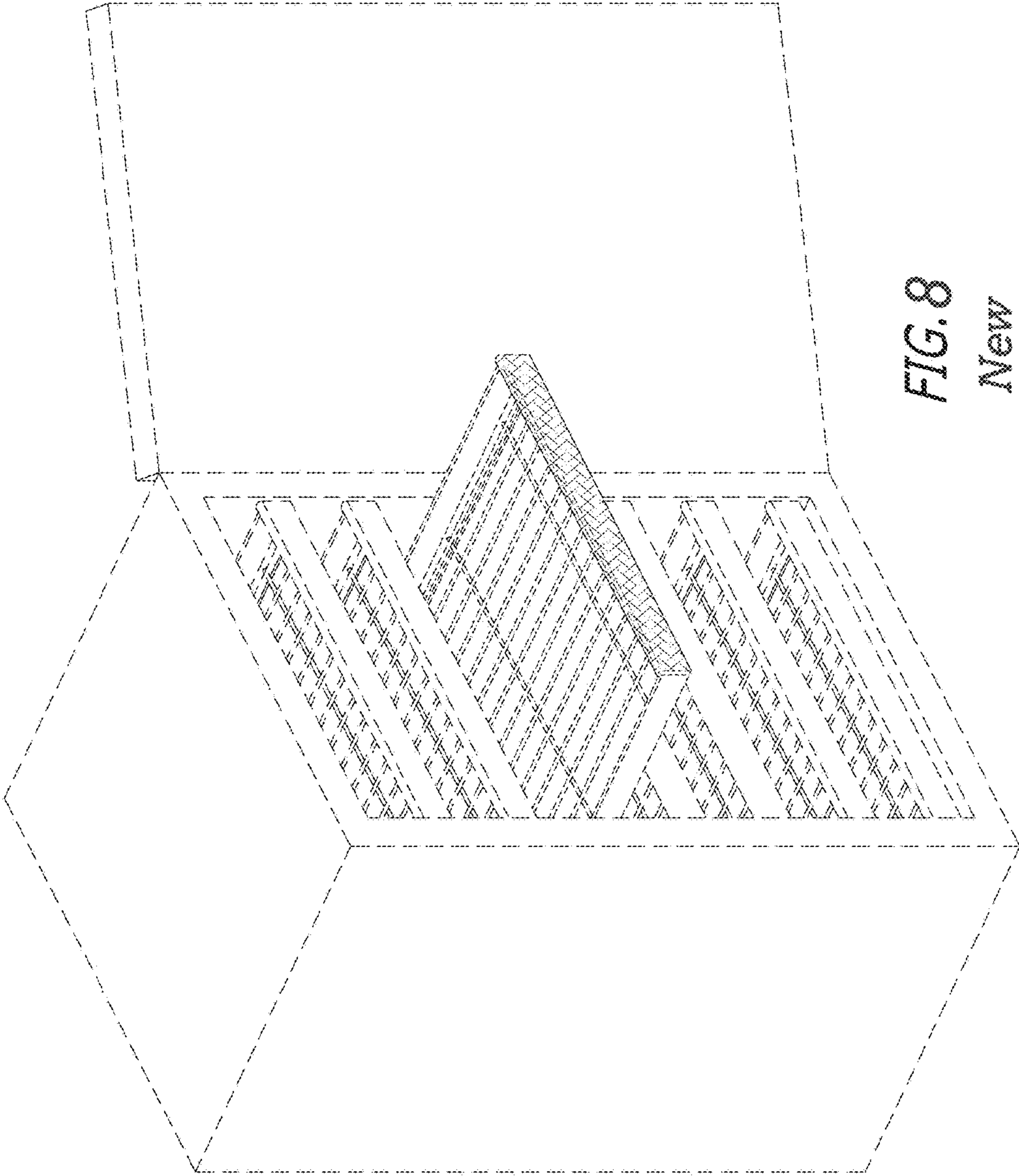


FIG. 8
New

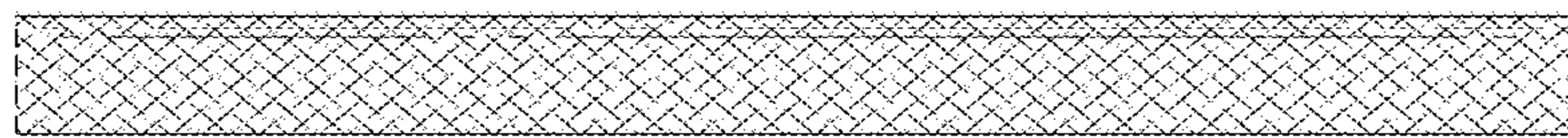
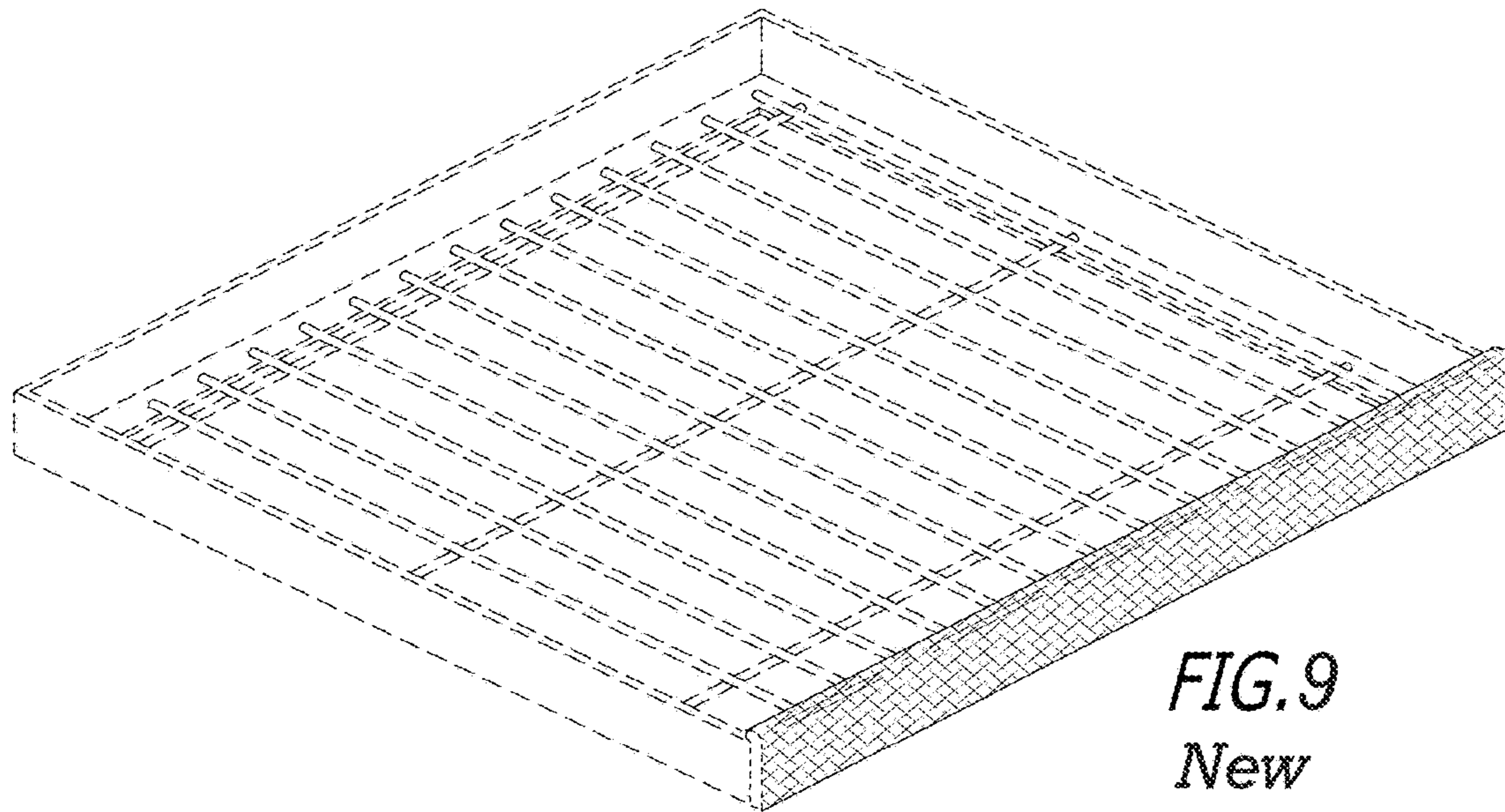


FIG. 10
New

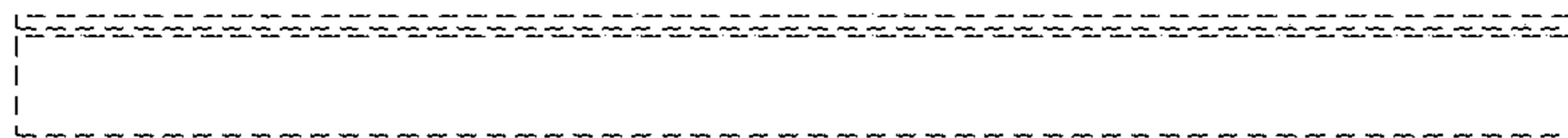


FIG. 11
New

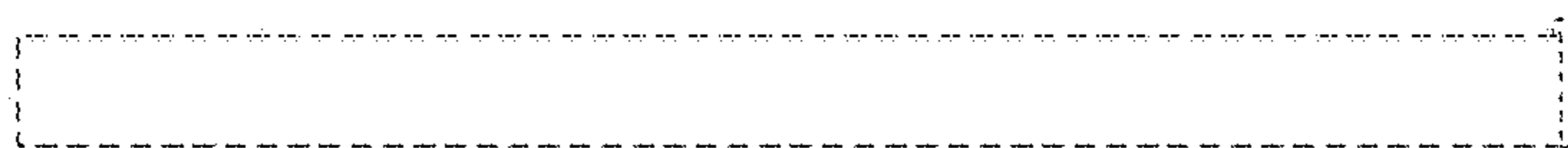


FIG. 12
New

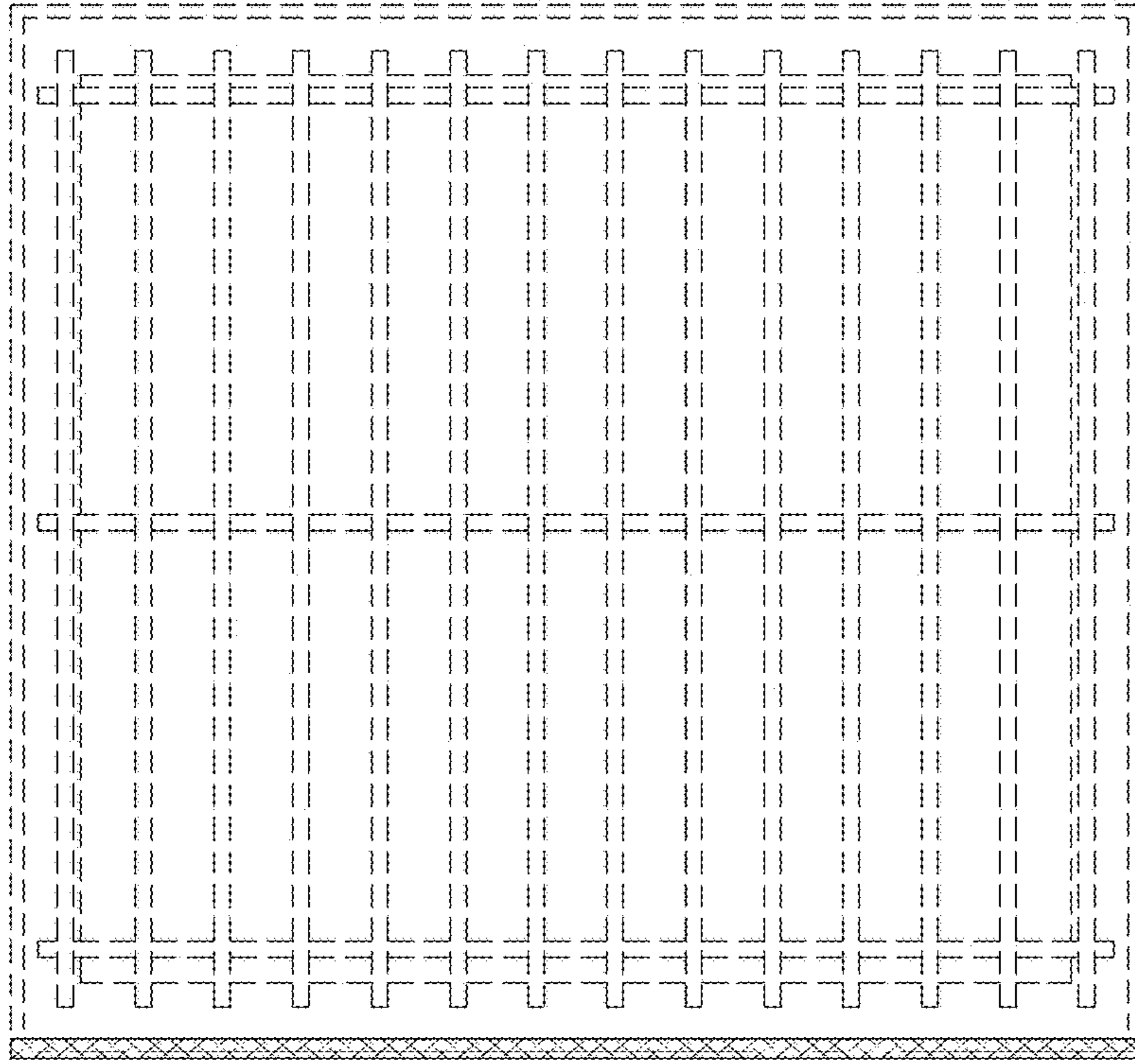


FIG. 13
New

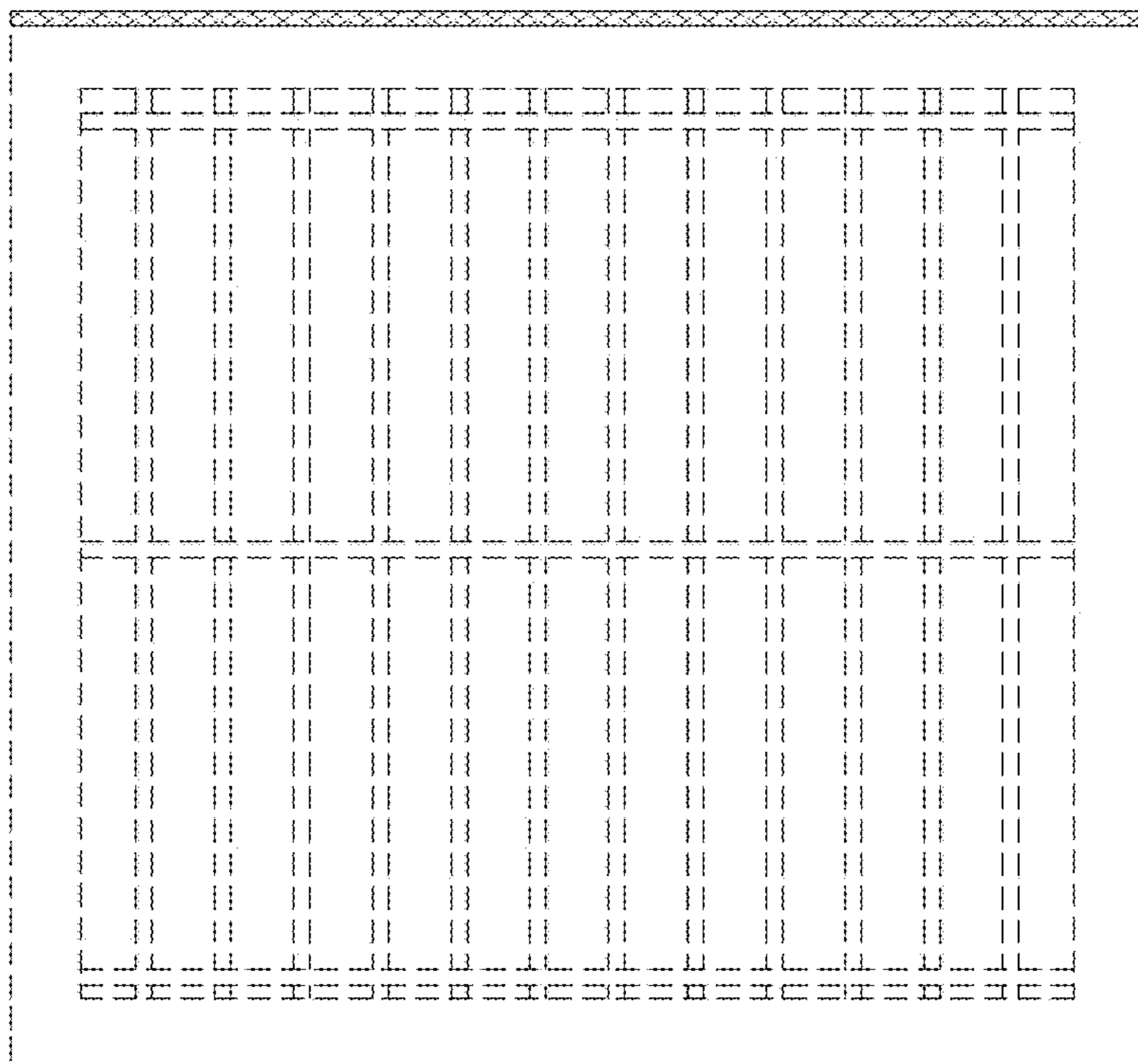


FIG. 14
New