



US00RE47032E

(19) **United States**  
(12) **Reissued Patent**  
**Kim**

(10) **Patent Number: US RE47,032 E**  
(45) **Date of Reissued Patent: Sep. 11, 2018**

(54) **TERMINAL FOR WIRELESS COMMUNICATION**

*Primary Examiner* — Darlington Ly  
(74) *Attorney, Agent, or Firm* — NSIP Law

(71) Applicant: **Samsung Electronics Co., Ltd.**,  
Suwon-Si (KR)

(57) **CLAIM**

**[The]** *I claim the ornamental design for a terminal for wireless communication, as shown and described.*

(72) Inventor: **Dong-Kyun Kim**, Seoul (KR)

**DESCRIPTION**

(73) Assignee: **Samsung Electronics Co., Ltd.**,  
Suwon-si (KR)

(21) Appl. No.: **29/546,451**

(22) Filed: **Nov. 23, 2015**

**Related U.S. Patent Documents**

Reissue of:

(64) Patent No.: **Des. 685,774**  
Issued: **Jul. 9, 2013**  
Appl. No.: **29/425,665**  
Filed: **Jun. 26, 2012**

U.S. Applications:

(62) Division of application No. 29/508,182, filed on Nov. 4, 2014, which is an application for the reissue of Pat. No. Des. 685,774.

(30) **Foreign Application Priority Data**

Jan. 13, 2012 (KR) ..... 30-2012-0001869

(51) **LOC (11) Cl.** ..... **14-03**

(52) **U.S. Cl.**  
USPC ..... **D14/240; D14/358**

(58) **Field of Classification Search**  
USPC ..... D14/371–376, 125–130, 336, 337, 341,  
D14/217, 142, 239, 240, 434, 238.1;  
(Continued)

(56) **References Cited**

**U.S. PATENT DOCUMENTS**

D383,131 S \* 9/1997 Biasotti et al. .... D14/149  
D432,105 S \* 10/2000 Hyun ..... D14/138 AB  
(Continued)

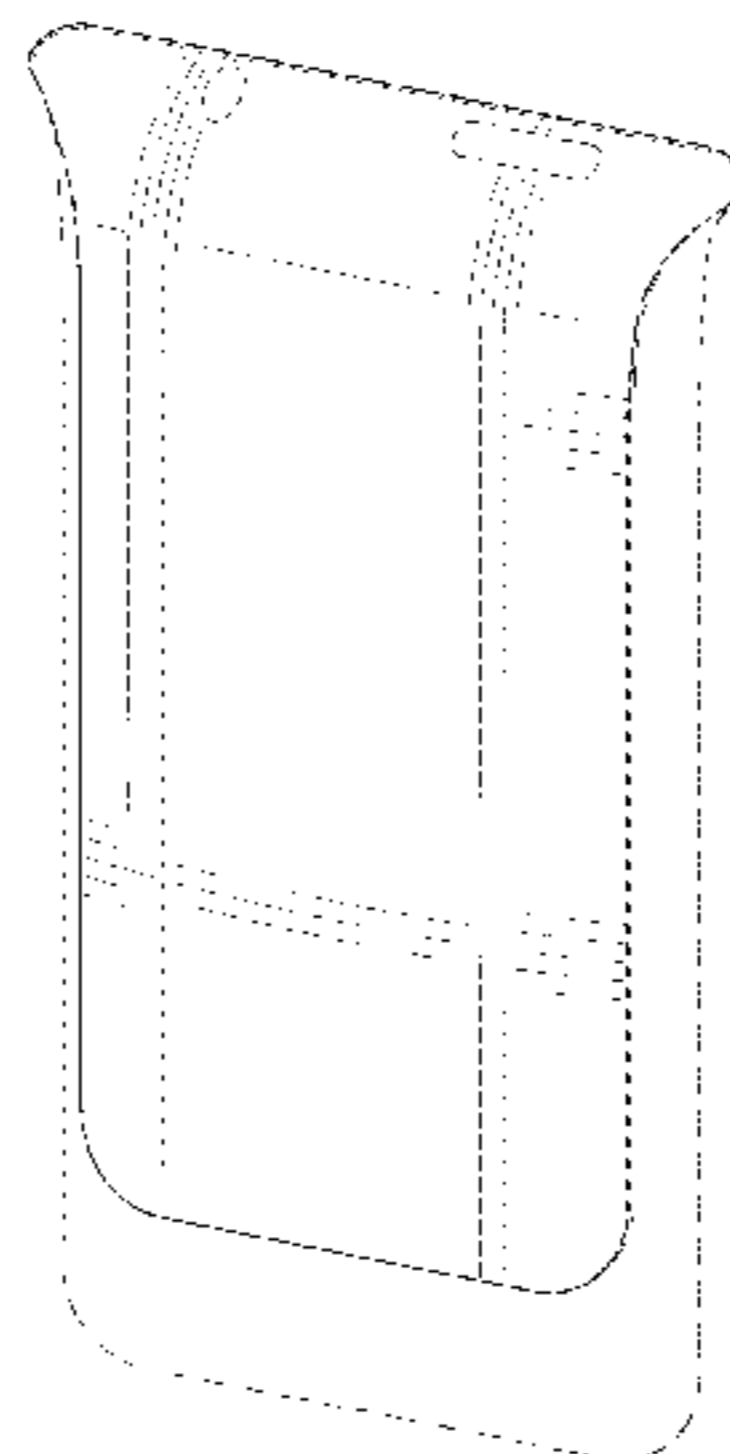
FIG. 1 is a front perspective view of a terminal for wireless communication *showing my new design*;  
FIG. 2 is a front *elevation* view [of the terminal for wireless communication of FIG. 1] *thereof*;  
FIG. 3 is a rear *elevation* view [of the terminal for wireless communication of FIG. 1] *thereof*;  
FIG. 4 is a left-side *elevation* view [of the terminal for wireless communication of FIG. 1] *thereof*;  
FIG. 5 is a right-side *elevation* view [of the terminal for wireless communication of FIG. 1] *thereof*;  
FIG. 6 is a top plan view [of the terminal for wireless communication of FIG. 1] *thereof*;  
FIG. 7 is a bottom plan view [of the terminal for wireless communication of FIG. 1] *thereof*;  
FIG. 8 is a rear perspective view [of the terminal for wireless communication of FIG. 1] *thereof*; [and,]  
FIG. 9 is a rear *elevation* view [of] *thereof*, in which the terminal for wireless communication [of FIG. 1 illustrating an example of how the terminal for wireless communication of FIG. 1 may be] *is shown* docked to a tablet PC[.]; *and*, FIG. 10 is a rear *elevation* view *thereof*, in which the terminal for wireless communication is shown detached from a tablet PC.

[Features shown in broken lines in FIG. 9] *In FIGS. 9 and 10, the broken line showing the tablet PC is provided for the purpose of illustrating environmental structure and forms no part of the claimed design. All other broken lines in the drawings illustrate portions of the terminal for wireless communication that form no part of the claimed design.*

**1 Claim, 15 Drawing Sheets**

**Matter enclosed in heavy brackets [ ] appears in the original patent but forms no part of this reissue; matter printed in italics indicates the additions made by reissue.**

AMENDED



(58) **Field of Classification Search**

USPC ..... D6/308, 311; 361/679.08, 679.23;  
                   349/1, 2, 11, 58; 345/104, 156, 173, 174;  
                   341/12; 248/917-924, 371  
 CPC ..... F16M 11/08; F16M 11/22; F16M 2200/08  
 See application file for complete search history.

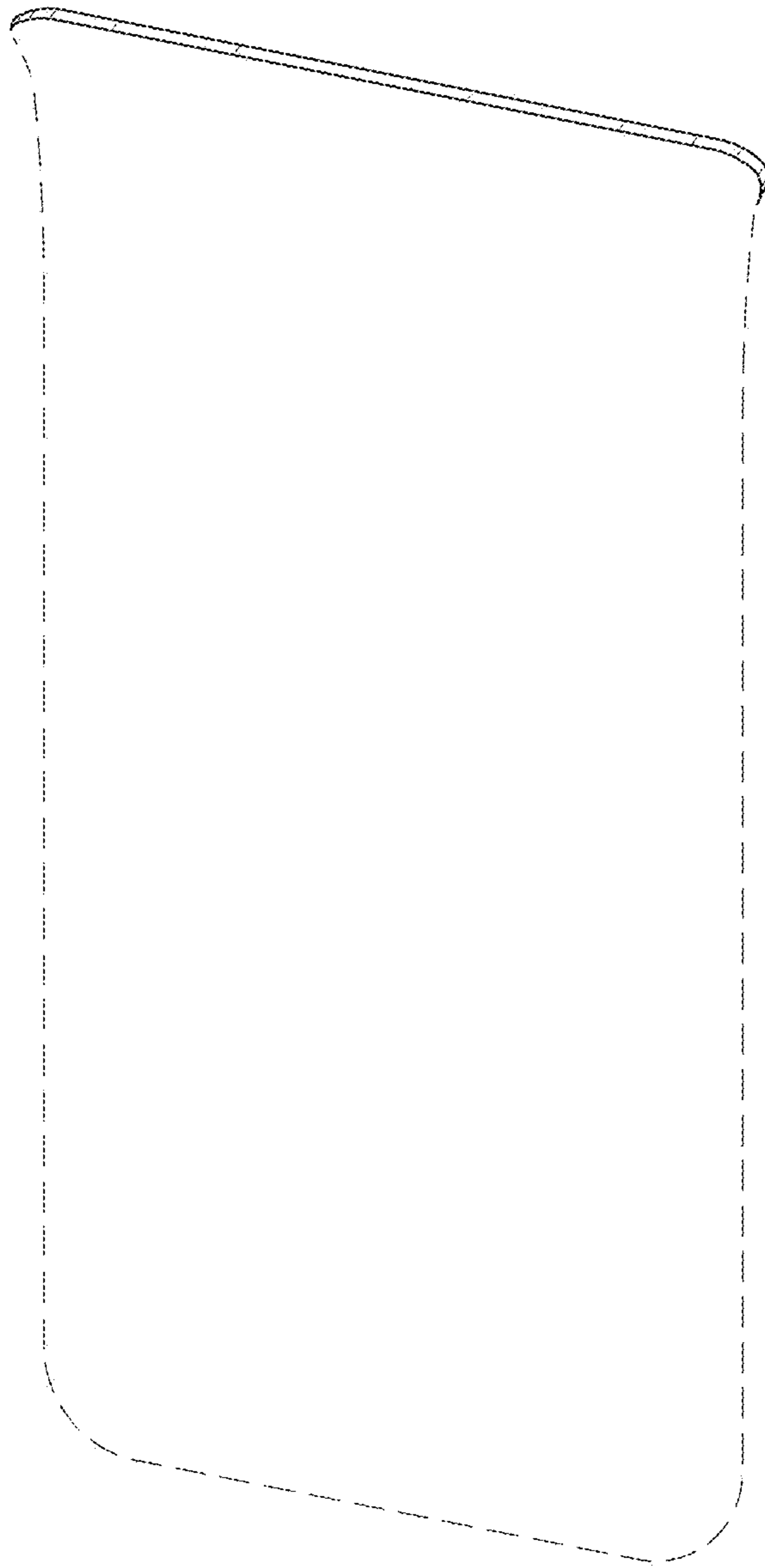
(56) **References Cited**

U.S. PATENT DOCUMENTS

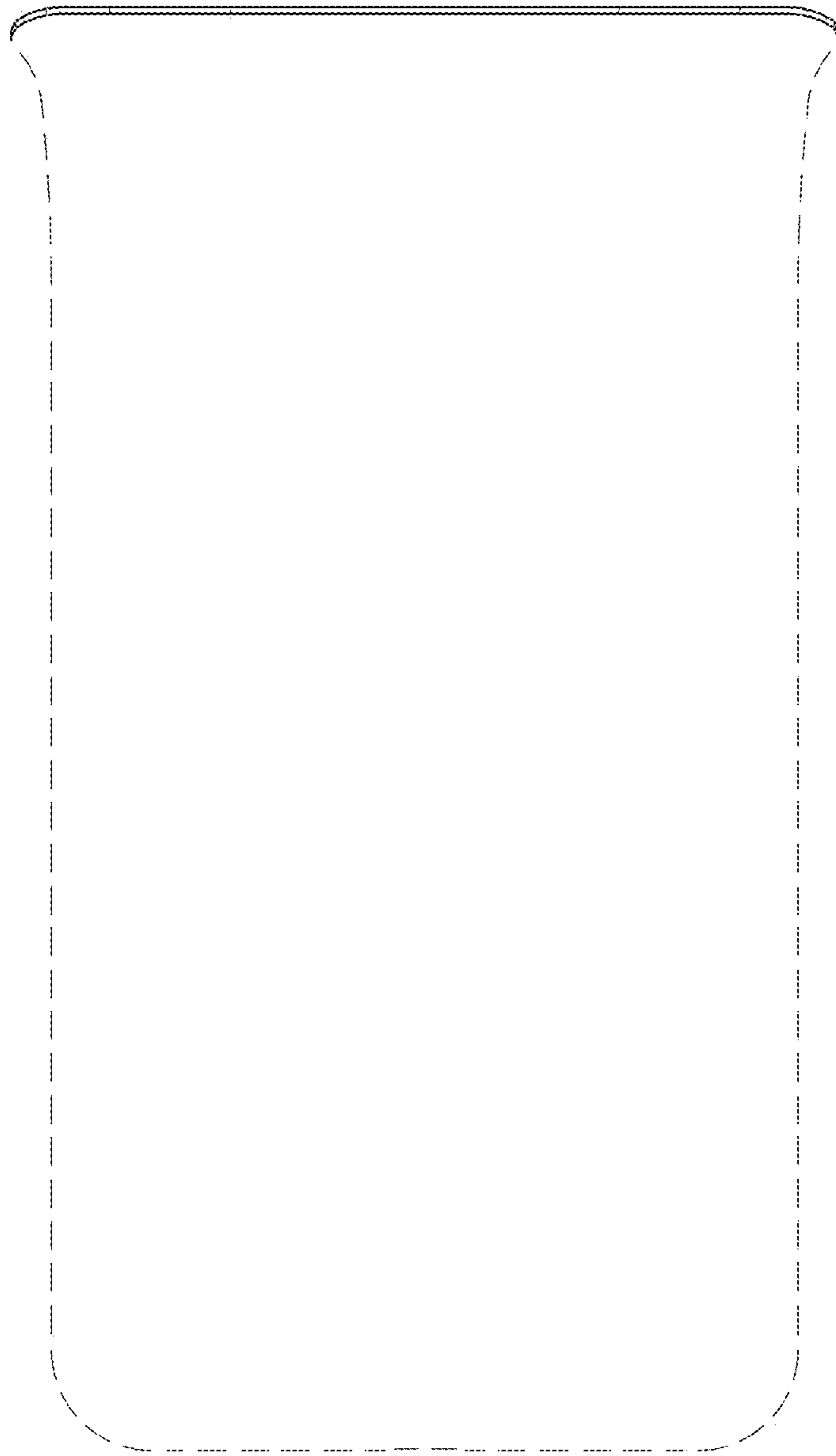
D439,571	S	*	3/2001	Hyun	.....	D14/138	AB
D480,058	S	*	9/2003	Chin	.....	D14/138	AB
D514,590	S	*	2/2006	Naruki	.....	D14/203.3	
D551,644	S	*	9/2007	Kim et al.	.....	D14/138	AB
D558,763	S	*	1/2008	Morganstern et al.	...	D14/480.7	
D565,018	S	*	3/2008	Arbisi	.....	D14/138	AB
D579,906	S	*	11/2008	Kim et al.	.....	D14/138	AD
D582,367	S	*	12/2008	Kim et al.	.....	D14/138	AB
D619,981	S	*	7/2010	Chuang	.....	D14/138	R
D629,373	S	*	12/2010	Kim	.....	D14/126	
D648,697	S	*	11/2011	Castano	.....	D14/138	AB
D669,070	S	*	10/2012	Hsu	.....	D14/341	
D671,939	S	*	12/2012	Chung	.....	D14/130	
D675,196	S	*	1/2013	Maddern	.....	D14/240	
D677,181	S	*	3/2013	Lenz	.....	D10/65	
8,605,433	B2	*	12/2013	Chiang	.....	F16M 11/10	
						361/679.59	
8,605,443	B2		12/2013	Yang			
8,606,340	B2	*	12/2013	Pegg	.....	H04M 1/0247	
						455/575.4	
D701,570	S	*	3/2014	Fletcher	.....	D19/113	
D701,862	S	*	4/2014	Lee	.....	D14/420	
D702,231	S	*	4/2014	Park	.....	D14/341	
D704,200	S	*	5/2014	Rayner	.....	D14/447	
D722,049	S	*	2/2015	Moradian	.....	D14/341	
2006/0236014	A1		10/2006	Yin et al.			
2010/0309617	A1		12/2010	Wang et al.			

\* cited by examiner

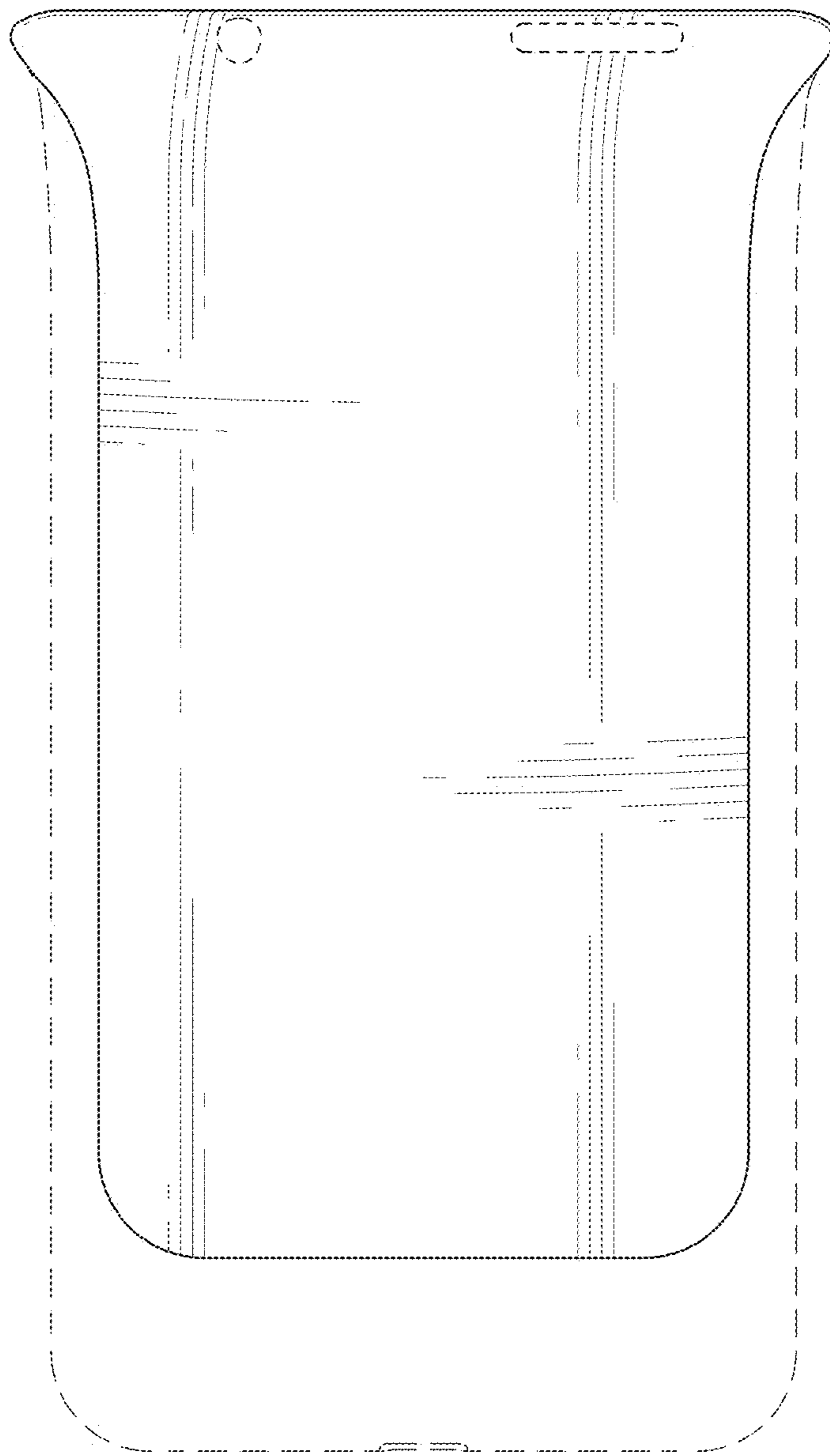
AMENDED  
FIG. 1



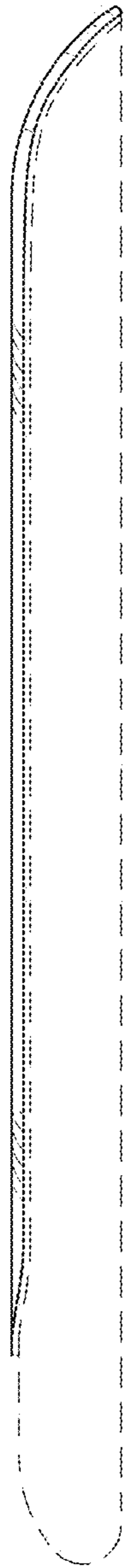
AMENDED  
FIG. 2



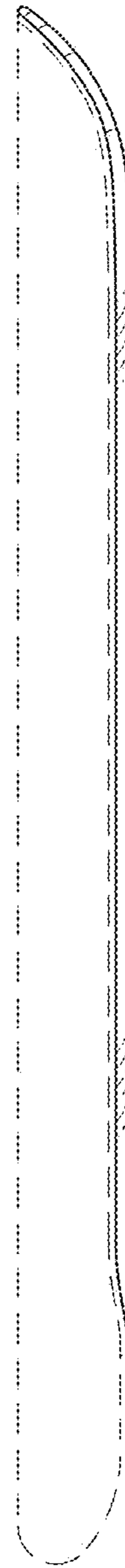
AMENDED  
FIG. 3



AMENDED  
FIG. 4



AMENDED  
FIG. 5



AMENDED  
FIG. 6

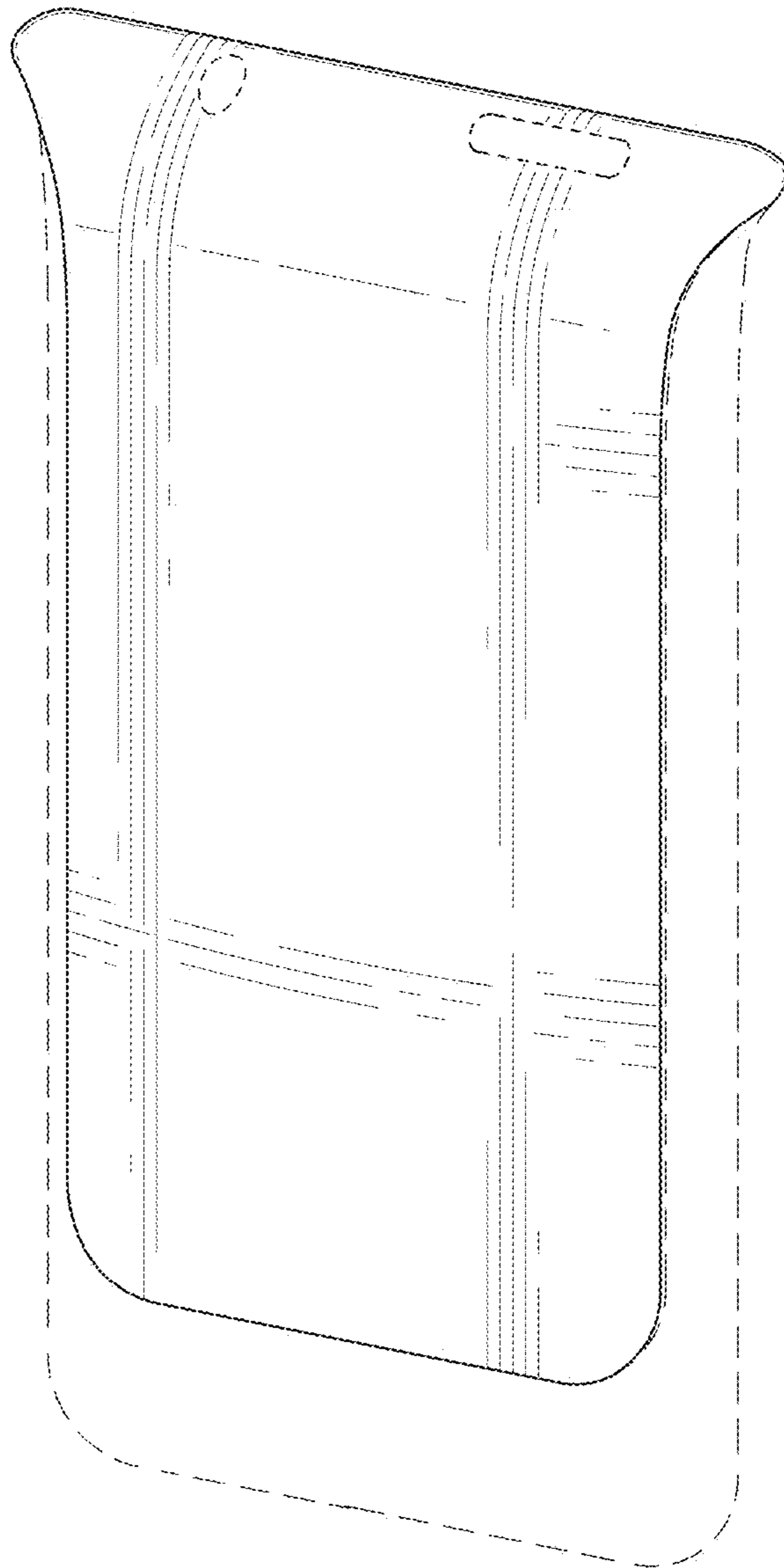


AMENDED  
FIG. 7



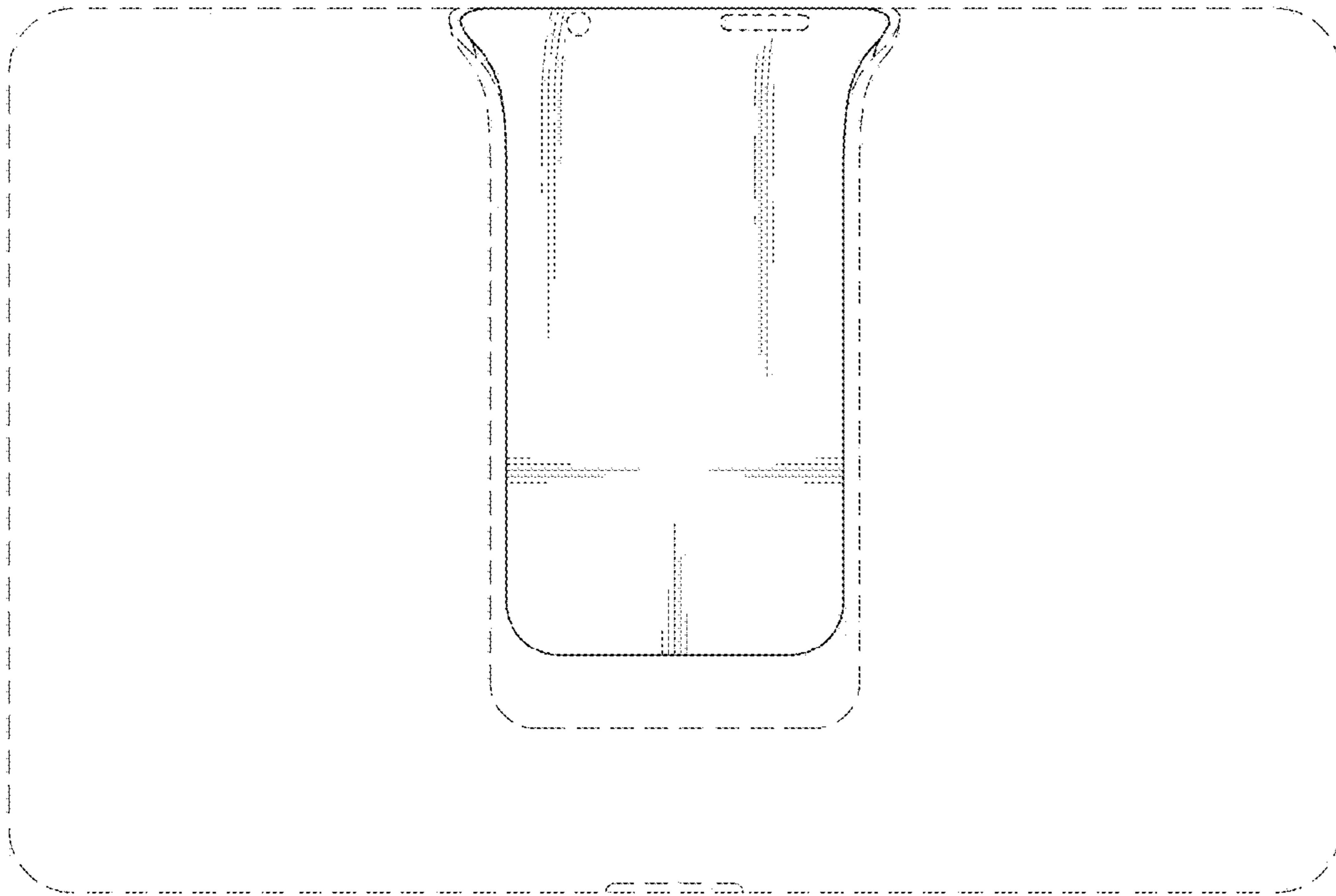


AMENDED  
FIG. 8

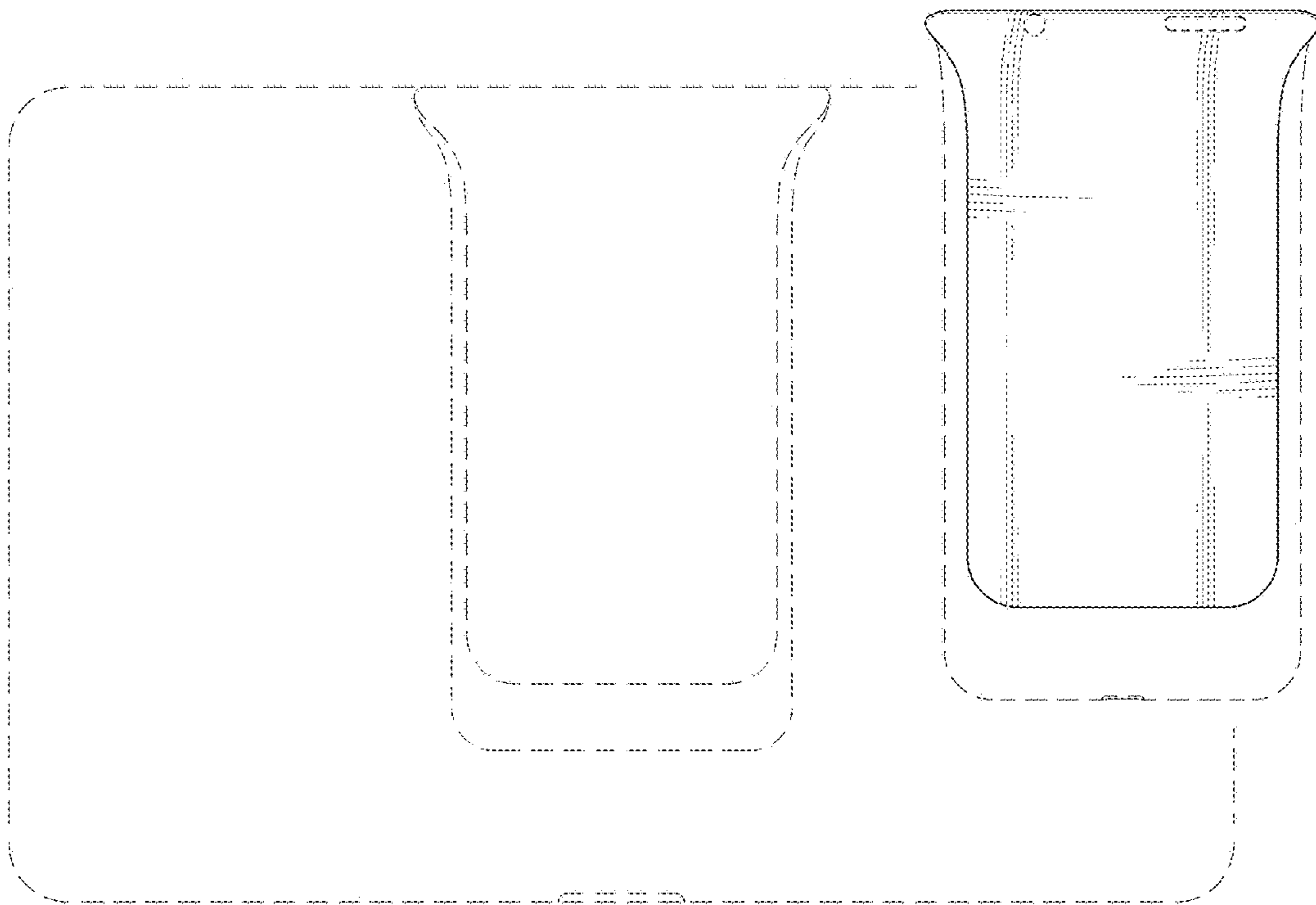




AMENDED  
FIG. 9

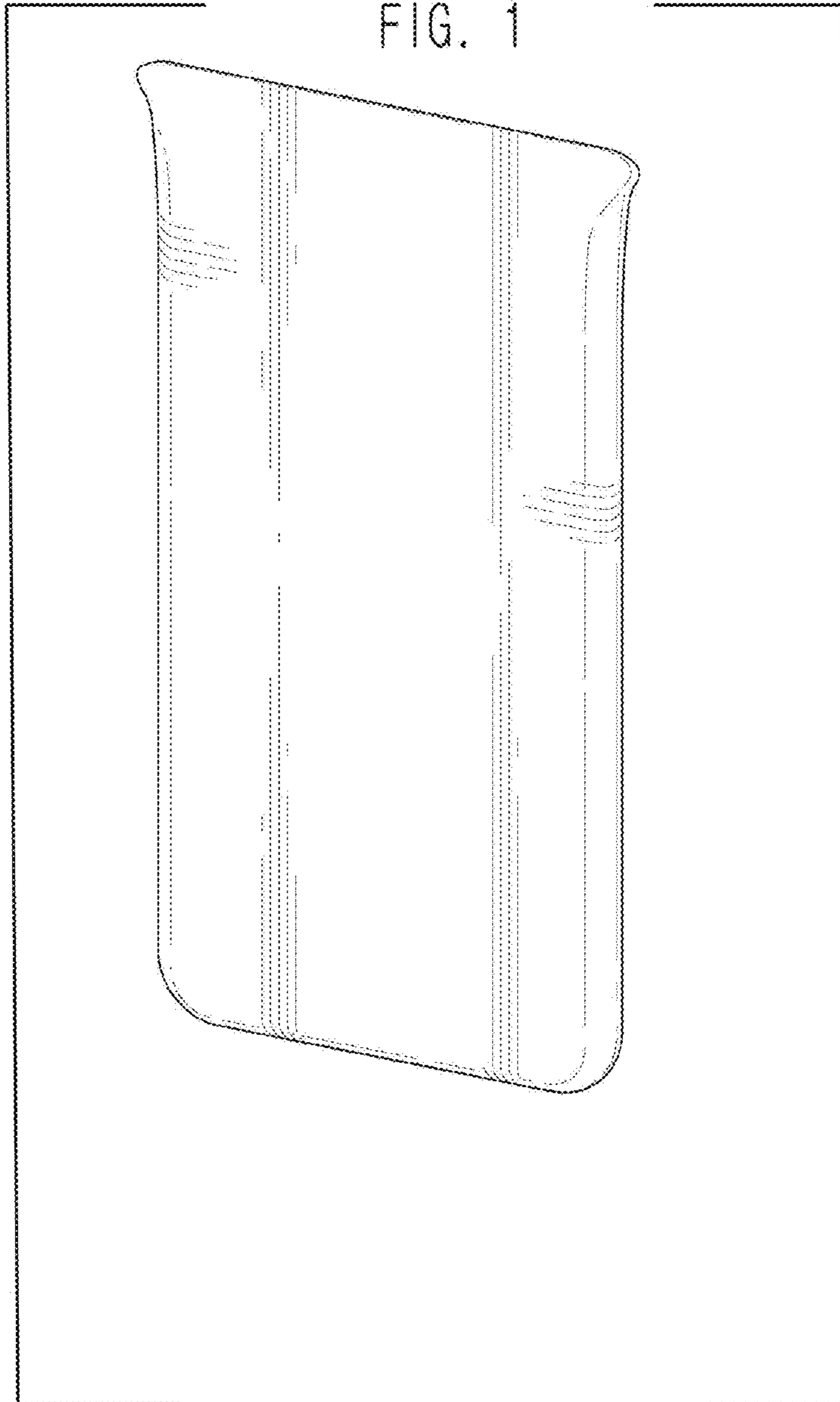


NEW  
FIG. 10



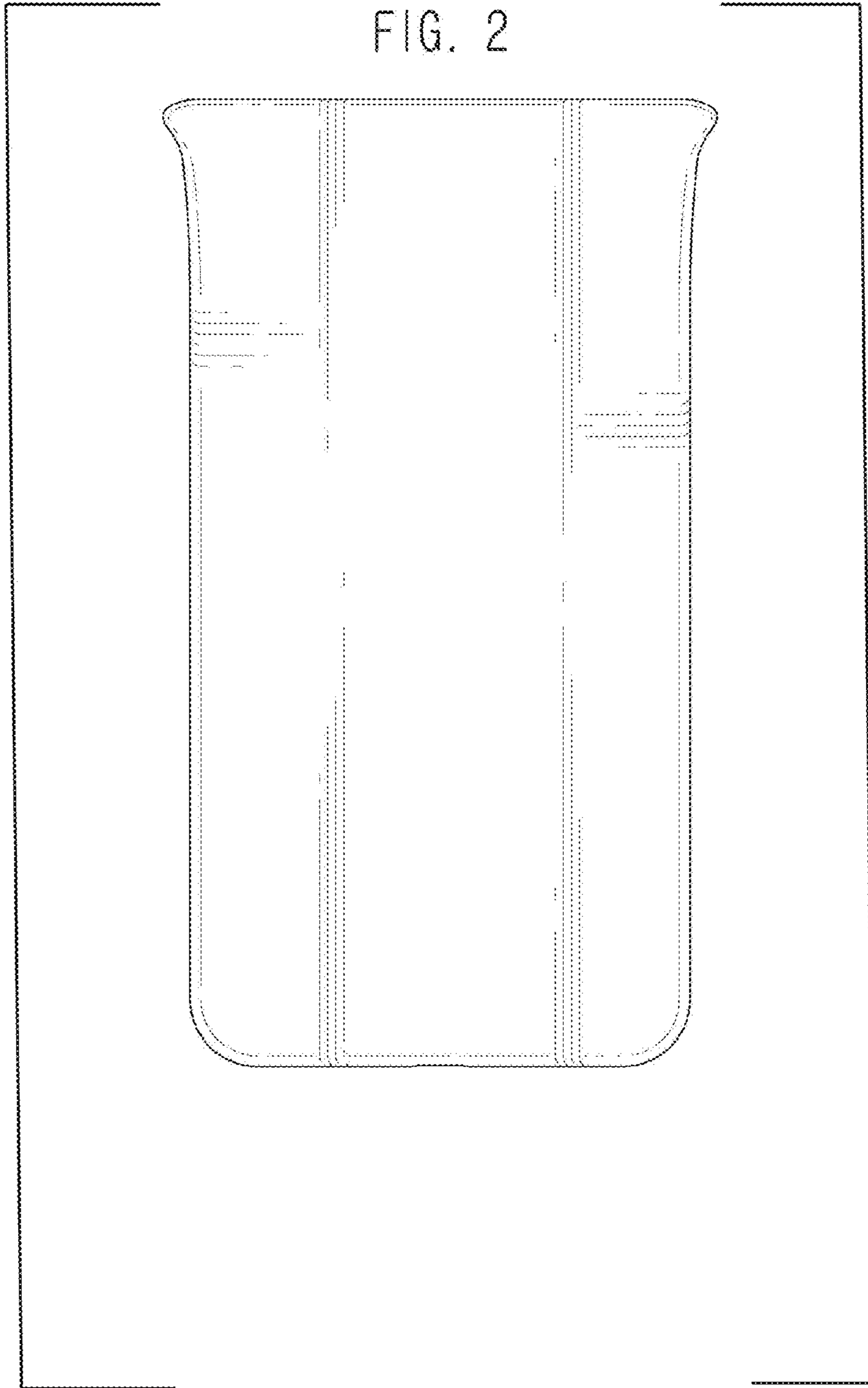
**CANCELLED**

FIG. 1



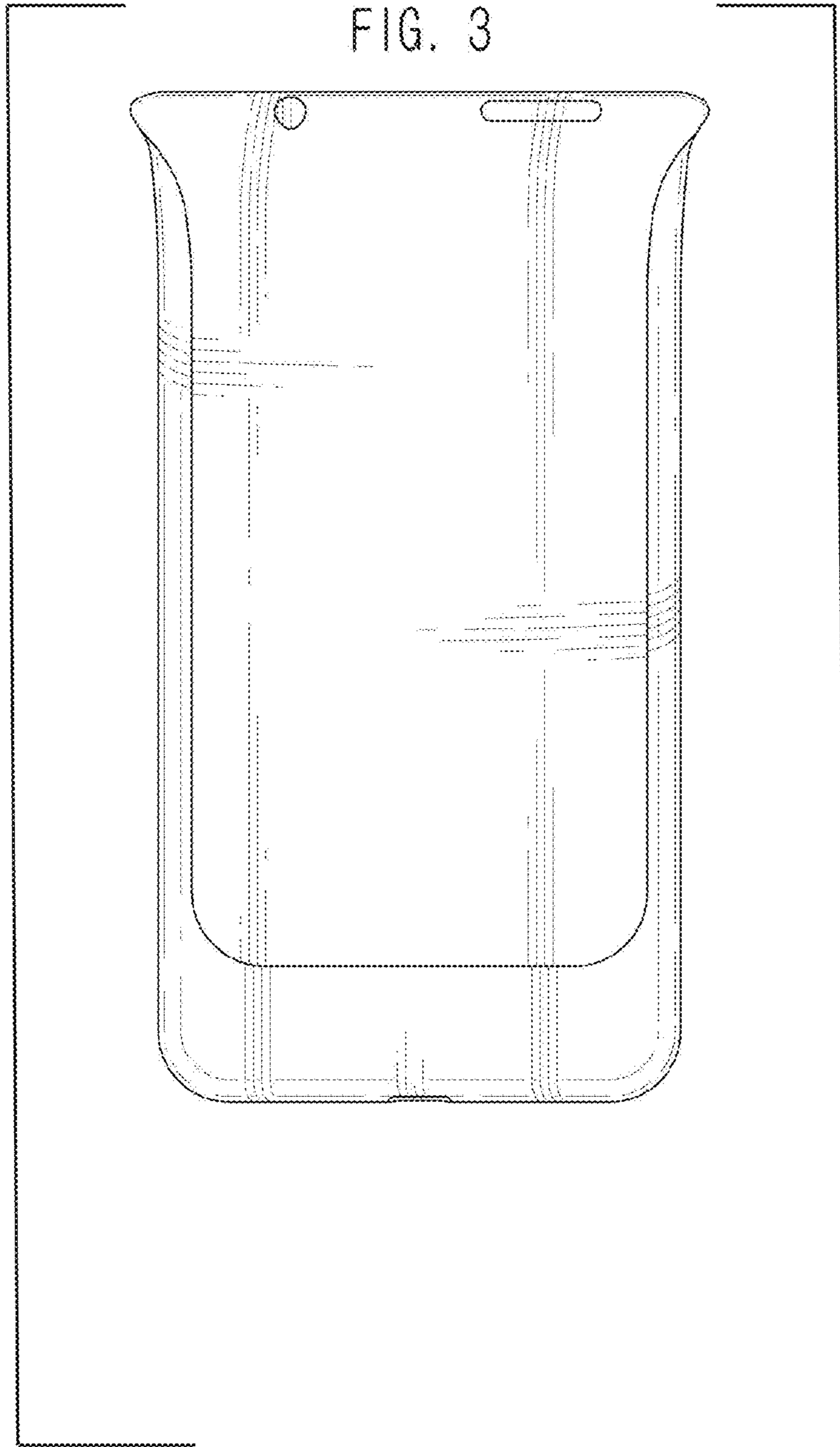
CANCELLED

FIG. 2

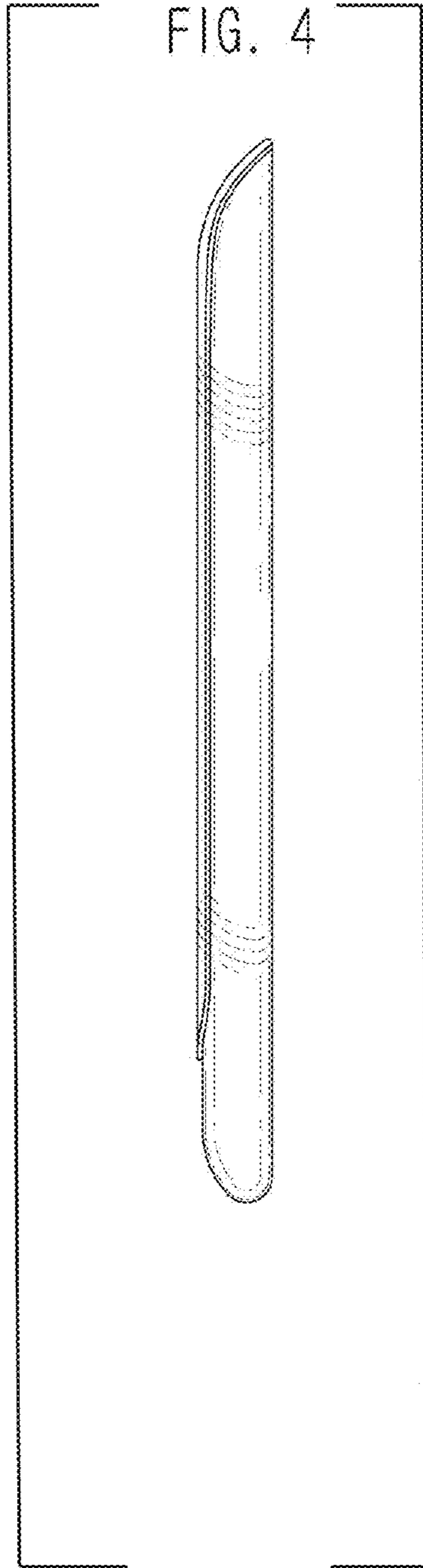


CANCELLED

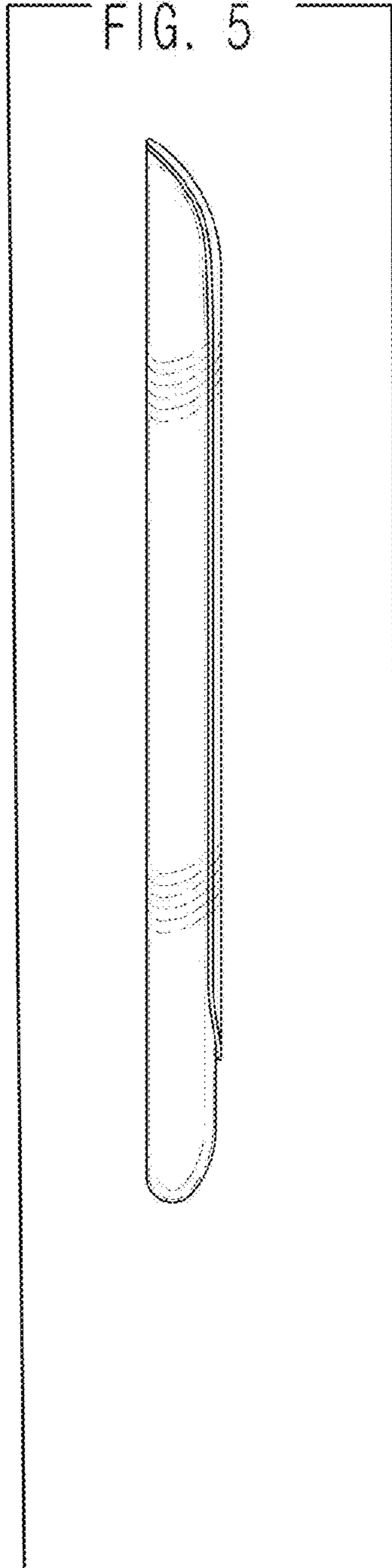
FIG. 3



CANCELLED

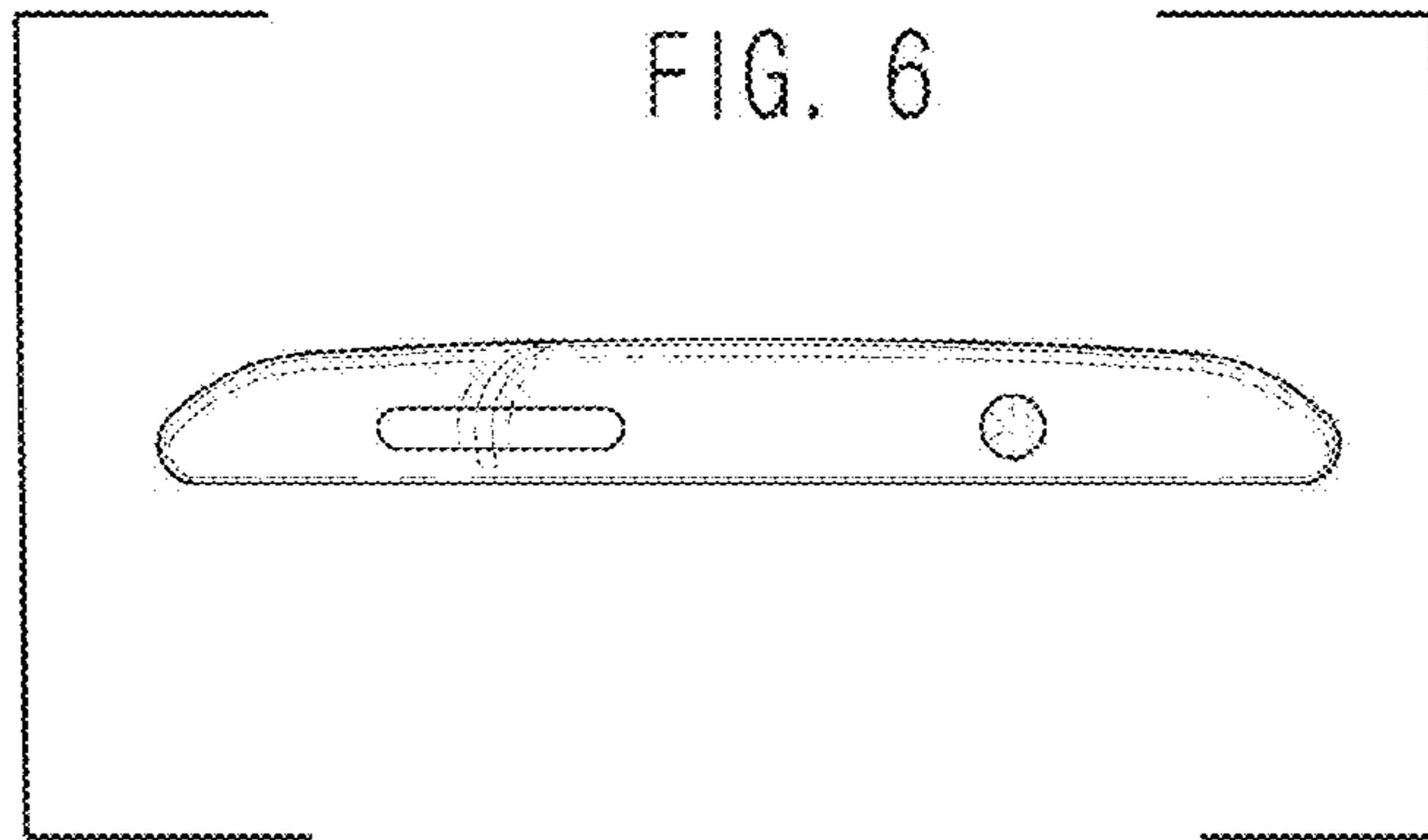


CANCELLED



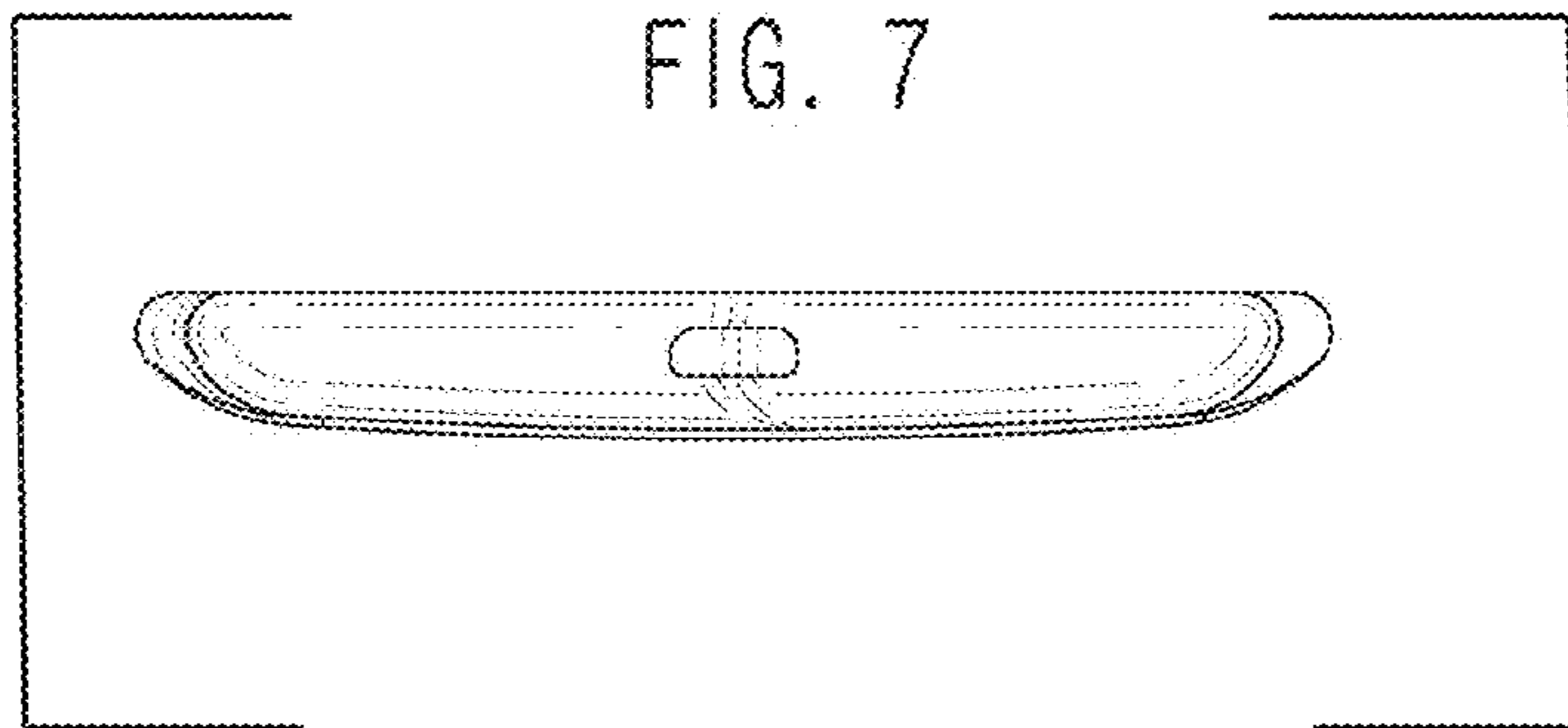
**CANCELLED**

FIG. 6



**CANCELLED**

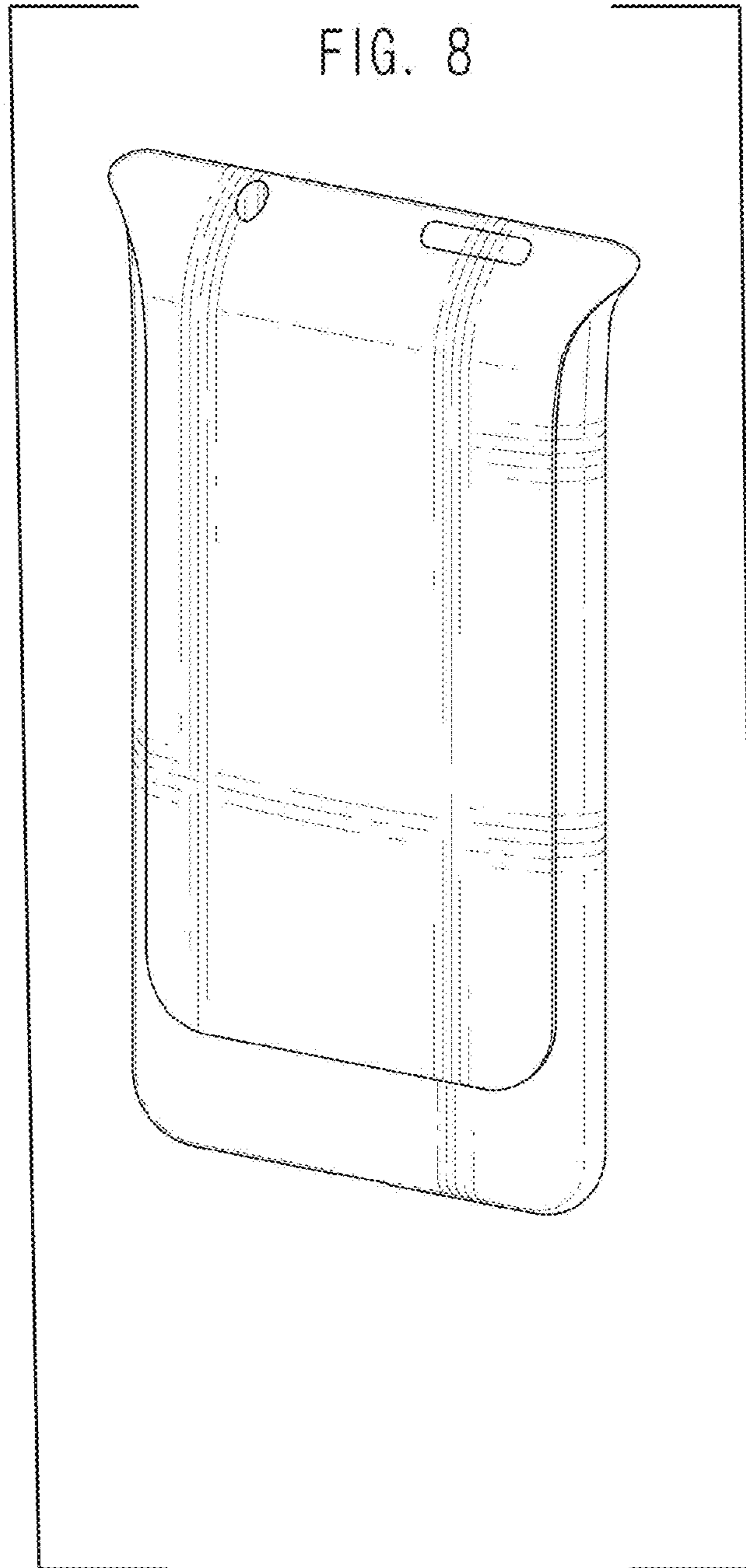
FIG. 7





CANCELLED

FIG. 8



CANCELLED

FIG. 9

