



US00RE47006E

(19) **United States**  
(12) **Reissued Patent**  
**To et al.**

(10) **Patent Number:** **US RE47,006 E**  
(45) **Date of Reissued Patent:** **\*Aug. 28, 2018**

(54) **LENS FOR OPTICAL TREATMENT**

*G02C 2202/10* (2013.01); *G02C 2202/20*  
(2013.01); *G02C 2202/24* (2013.01)

(71) Applicant: **The Hong Kong Polytechnic University**, Hong Kong (CN)

(58) **Field of Classification Search**

CPC ... *A61F 9/00*; *G02C 2202/10*; *G02C 2202/20*;  
*G02C 2202/24*; *G02B 3/08*; *G02B 3/10*;  
*G02B 5/1876*; *G02B 5/1895*  
USPC ..... 351/159.79  
See application file for complete search history.

(72) Inventors: **Chi Ho To**, Hong Kong (CN); **Siu Yin Lam**, Hong Kong (CN); **Yan Yin Tse**, Hong Kong (CN)

(73) Assignee: **The Hong Kong Polytechnic University** (CN)

(56) **References Cited**

(\*) Notice: This patent is subject to a terminal disclaimer.

U.S. PATENT DOCUMENTS

(21) Appl. No.: **14/457,080**

3,904,281 A 9/1975 Jampolsky  
4,210,391 A 7/1980 Cohen  
(Continued)

(22) Filed: **Aug. 11, 2014**

FOREIGN PATENT DOCUMENTS

**Related U.S. Patent Documents**

Reissue of:

(64) Patent No.: **7,506,983**  
Issued: **Mar. 24, 2009**  
Appl. No.: **10/954,631**  
Filed: **Sep. 30, 2004**

EP 0 927 905 7/1999  
NZ PCT/NZ2005/000155 1/2006  
(Continued)

U.S. Applications:

(63) Continuation of application No. 13/662,420, filed on Oct. 27, 2012, now Pat. No. Re. 45,147, which is a continuation of application No. 13/053,289, filed on Mar. 22, 2011, now Pat. No. Re. 43,851, which is an application for the reissue of Pat. No. 7,506,983.

OTHER PUBLICATIONS

International Search Report and Written Opinion of the International Searching Authority, dated Jan. 5, 2006, prepared by The International Searching Authority/China.  
(Continued)

(51) **Int. Cl.**

**A61B 3/00** (2006.01)  
**A61F 9/00** (2006.01)  
**G02B 5/18** (2006.01)  
**G02C 7/02** (2006.01)  
**G02B 3/08** (2006.01)

*Primary Examiner* — James Menefee

(74) *Attorney, Agent, or Firm* — Law Offices of Albert Wai-Kit Chan, PLLC

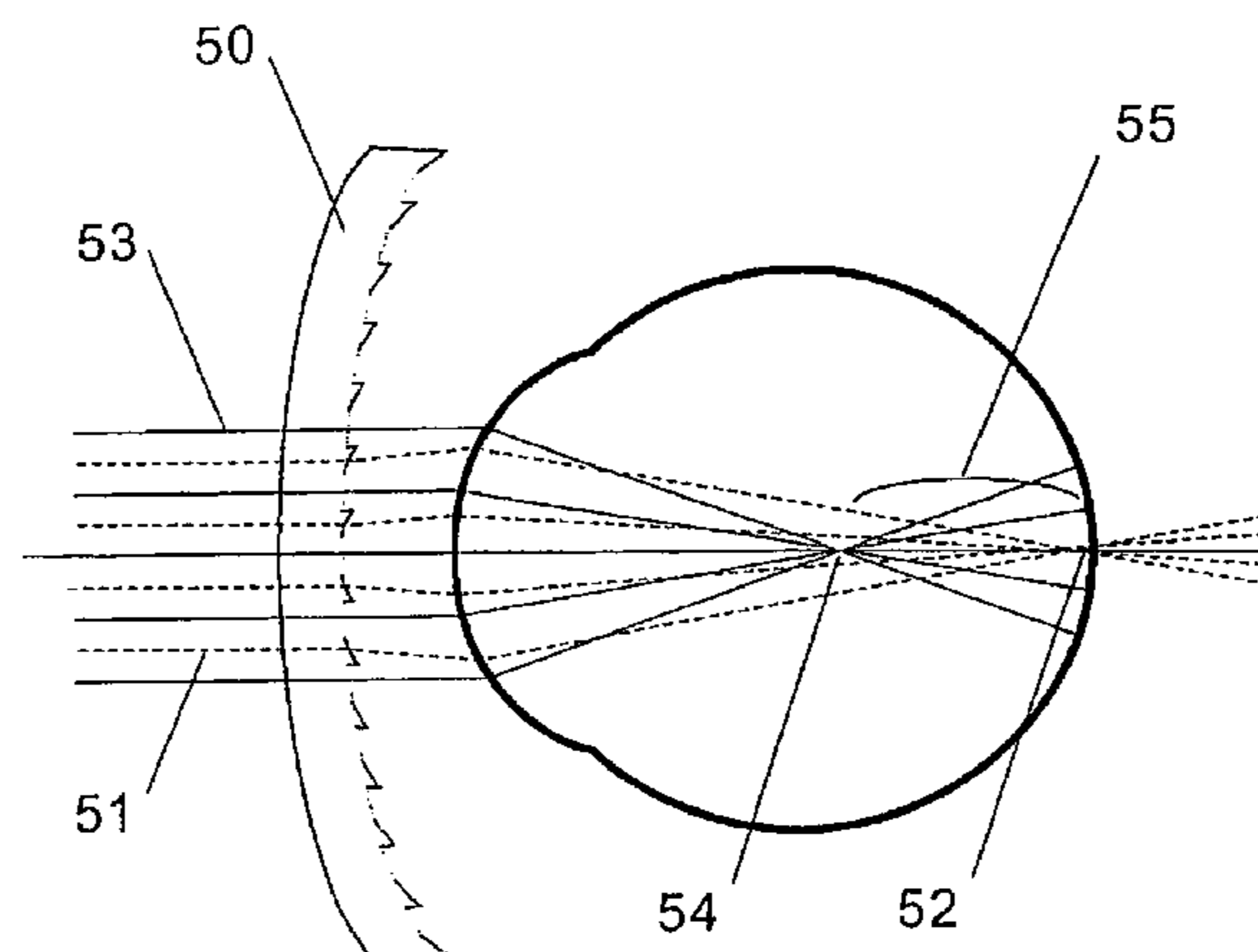
(52) **U.S. Cl.**

CPC ..... **A61F 9/00** (2013.01); **G02B 3/08**  
(2013.01); **G02B 5/1876** (2013.01); **G02B**  
**5/1895** (2013.01); **G02C 7/02** (2013.01);

(57) **ABSTRACT**

A method for treating progression of a refractive disorder in a human eye. The method includes the steps of producing a first image on a retina of the human eye and producing a second image to generate a defocus.

**18 Claims, 13 Drawing Sheets**



(56)

**References Cited**

U.S. PATENT DOCUMENTS

6,045,578	A *	4/2000	Collins	.....	A61F 9/00 623/4.1
6,343,861	B1	2/2002	Kris et al.		
6,491,394	B1 *	12/2002	Blum et al.	.....	351/228
6,626,532	B1	9/2003	Nishioka et al.		
7,025,460	B2 *	4/2006	Smith et al.	.....	351/221
2003/0058404	A1	3/2003	Thorn et al.		
2003/0058407	A1 *	3/2003	Aller	.....	G02C 7/04 351/247
2004/0237971	A1 *	12/2004	Radhakrishnan et al.	....	128/898
2005/0099597	A1 *	5/2005	Sandstedt et al.	.....	351/168

FOREIGN PATENT DOCUMENTS

RU	2 195 233	12/2002
RU	2 197 198	1/2003
WO	WO 97/10527	3/1997
WO	WO 2006/004440	A2 * 12/2006

OTHER PUBLICATIONS

Diether, Sigrid and Frank Schaeffel, "Local Changes in Eye Growth induced by Imposed Local Refractive Error despite Active Accommodation", Vision Research, 1997 vol. 37, No. 6, pp. 659-668 (Elsevier Science Ltd., Great Britain).

Edwards, Marion Hastings, et al., "The Hong Kong Progressive Lens Myopia Control Study: Study Design and Main Findings", Investigative Ophthalmology & Visual Science, Sep. 2002, vol. 43, No. 9, pp. 2852-2858 (Association for Research in Vision and Ophthalmology).

Gwiazda, Jane, et al., "A Randomized Clinical Trial of Progressive Addition Lenses versus Single Vision Lenses on the Progression of

Myopia in Children", Investigative Ophthalmology & Visual Science, Apr. 2003 vol. 44, No. 4, pp. 1492-1500 (Association for Research in Vision and Ophthalmology).

Kee, C.S. et al., "The Role of Peripheral Vision in the Refractive Vision in the Refractive-Error Development of Infant Monkeys (Macaca mulatta)", Investigative Ophthalmology and Visual Science, 2004; vol. 45, E-Abstract 1157 (Association for Research in Vision and Ophthalmology).

Schaeffel, Frank and Sigrid Diether, "The growing eye: an autofocus system that works on very poor images", Vision Research, 1999, vol. 39, pp. 1585-1589 (Elsevier Science Ltd.).

Shaikh, Adam W. et al., "Effect of Interrupted Lens Wear on Compensation for a Minus Lens in Tree Shrews", Optometry and Vision Science, May 1999, vol. 76, No. 5, pp. 308-315 (American Academy of Optometry).

Smith, Earl L. III and Li-Fang Hung, "The role of optical defocus in regulating refractive development in infant monkeys", Vision Research, 1999, vol. 39, pp. 1415-1435 (Elsevier Science Ltd.).

Troilo, David and Josh Wallman, "The Regulation of Eye Growth and Refractive State: An Experimental Study of Emmetropization", Vision Research, 1991, vol. 31, pp. 1237-1250 (Pergamon Press plc).

Wallman, Josh, "Temporal and spatial aspects of visual guidance of eye growth", Proceedings of the 10<sup>th</sup> International Myopia Conference, edited by Daniel J.O. Leary and Hema Radhakrishnan, 2004, pp. 18 (APU, Cambridge, UK, ISBN: 0-907262-67-8).

Wallman, Josh and Jonathan Winawer, "Homeostasis of Eye Growth and the Question of Myopia", Neuron, Aug. 19, 2004, vol. 43, pp. 447-468 (Cell Press).

Zhong, Zingwu et al., "Compensation for experimentally induced hyperopic anisometropia in adolescent monkeys", Investigative Ophthalmology & Visual Science, Oct. 2004, vol. 45, No. 10, pp. 3373-3379 (Association for Research in vision and Ophthalmology).

\* cited by examiner

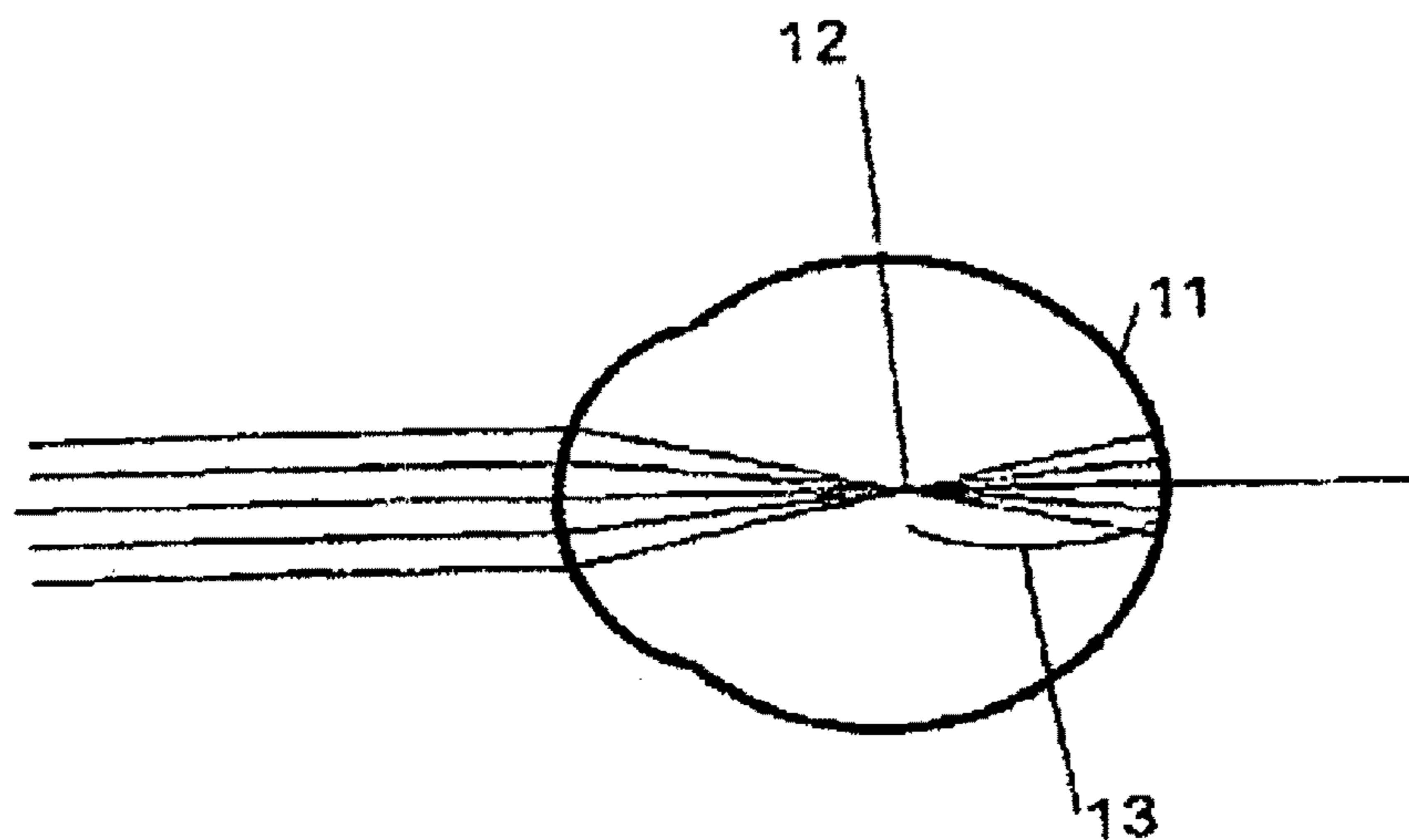


FIG. 1

PRIOR ART

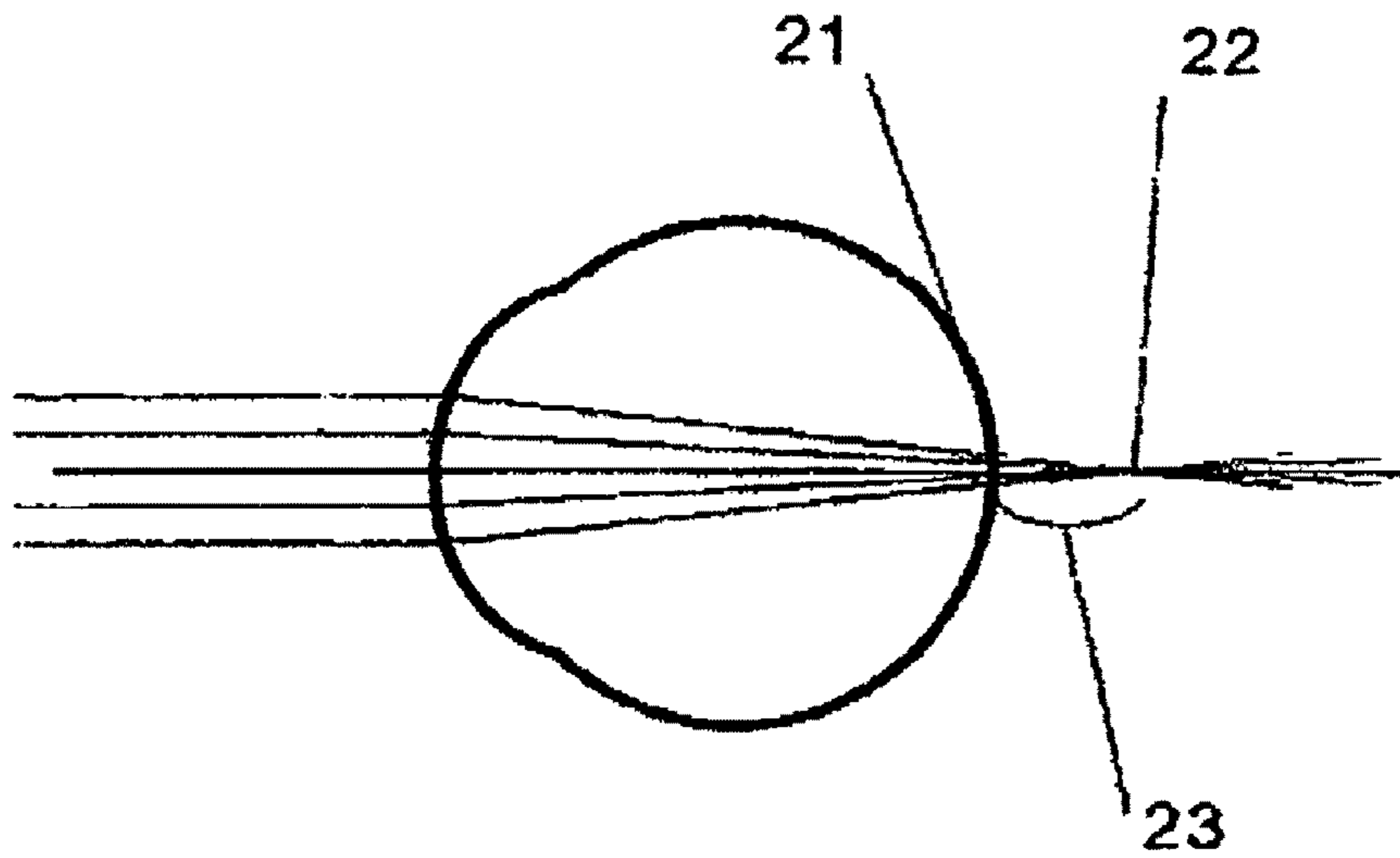


FIG.2

PRIOR ART





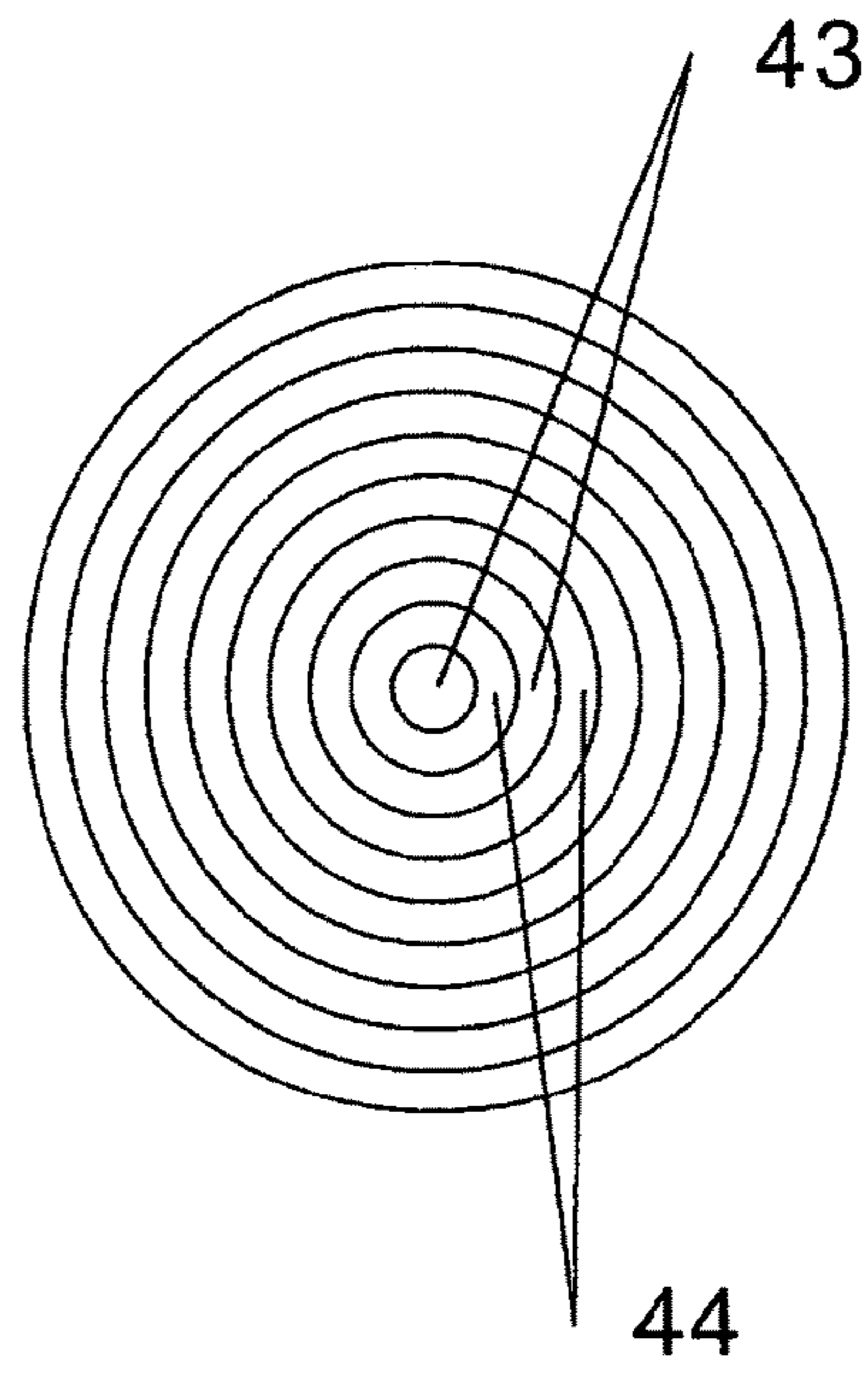
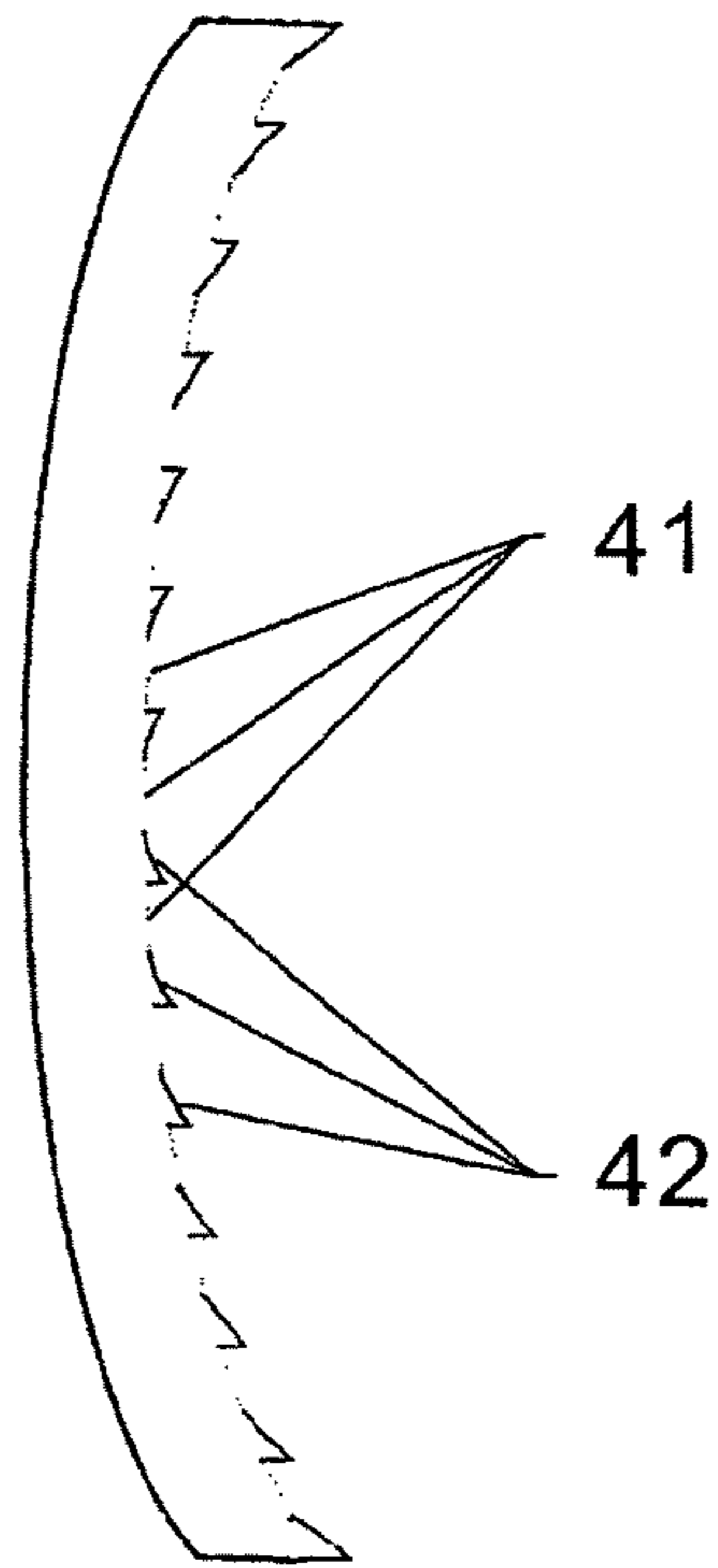


FIG. 4a

FIG. 4b

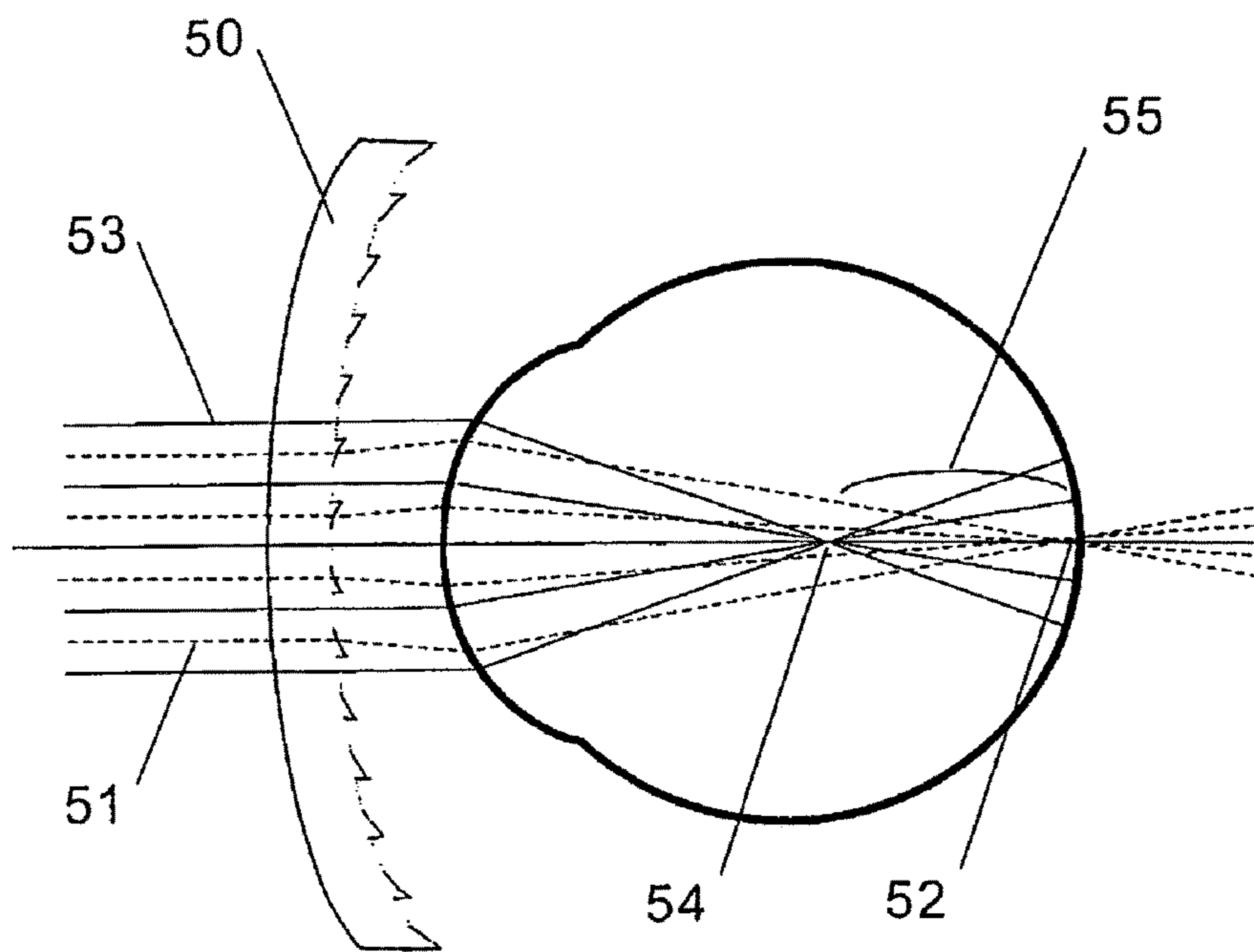


FIG.5a

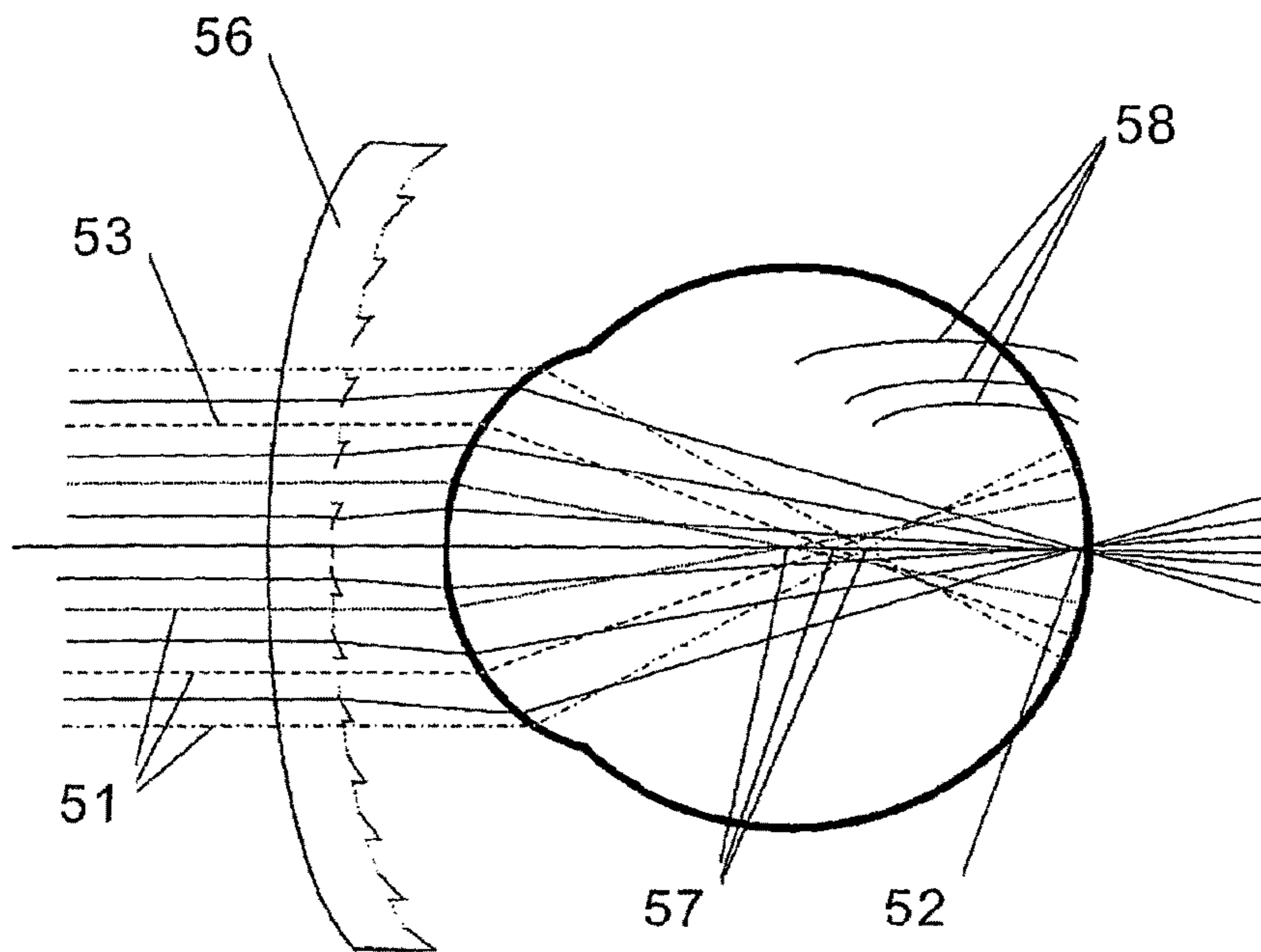


FIG.5b



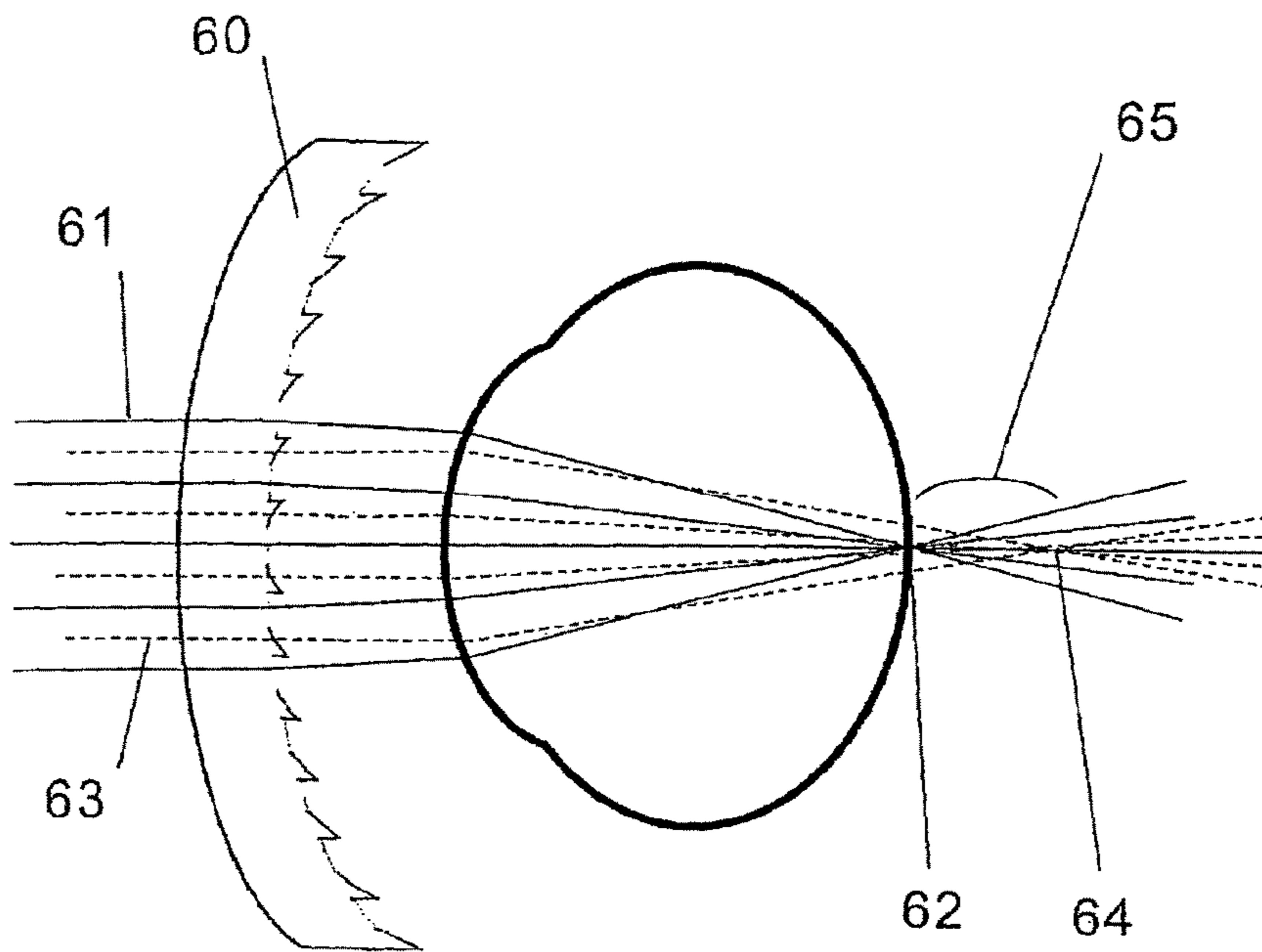


FIG.6a

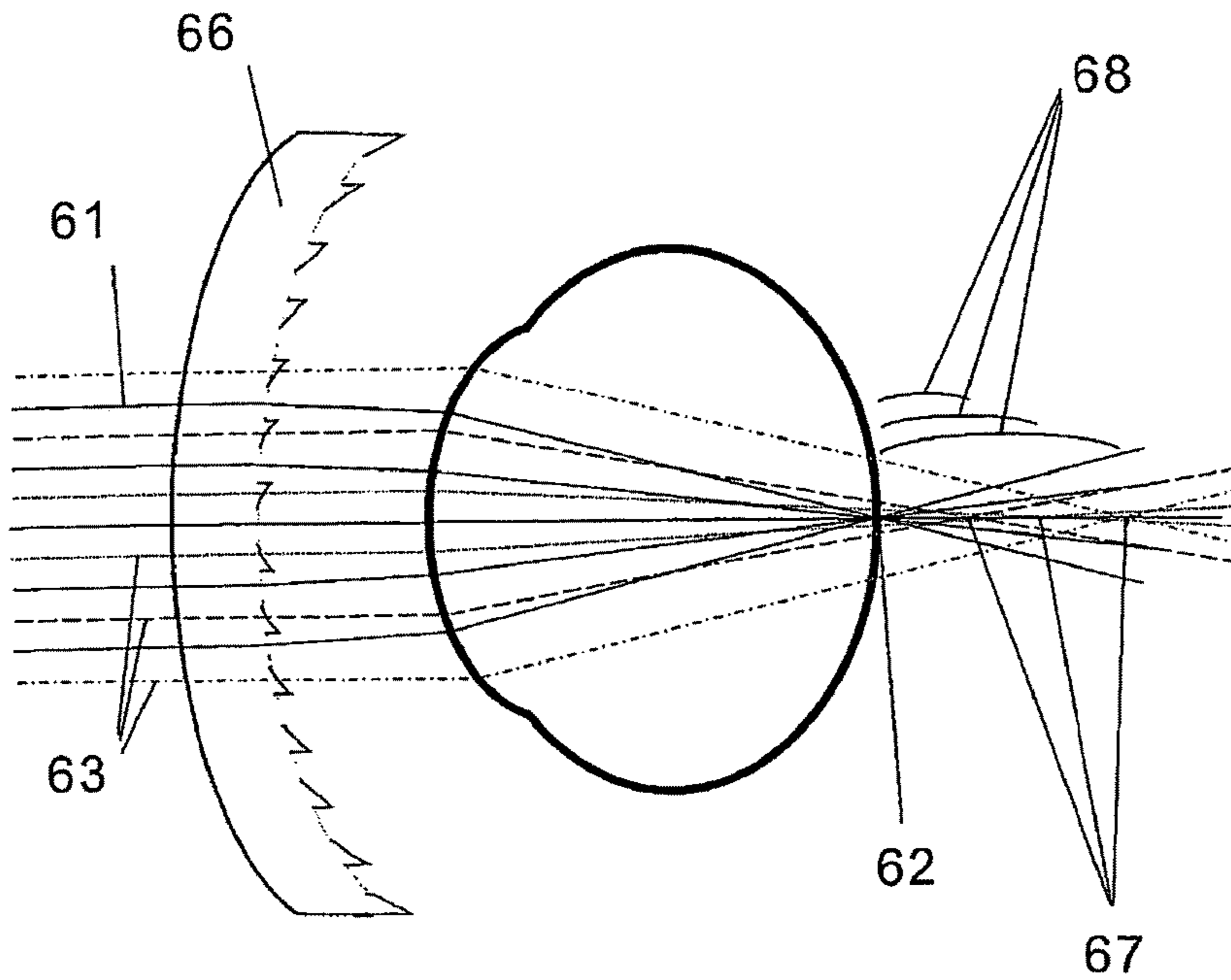
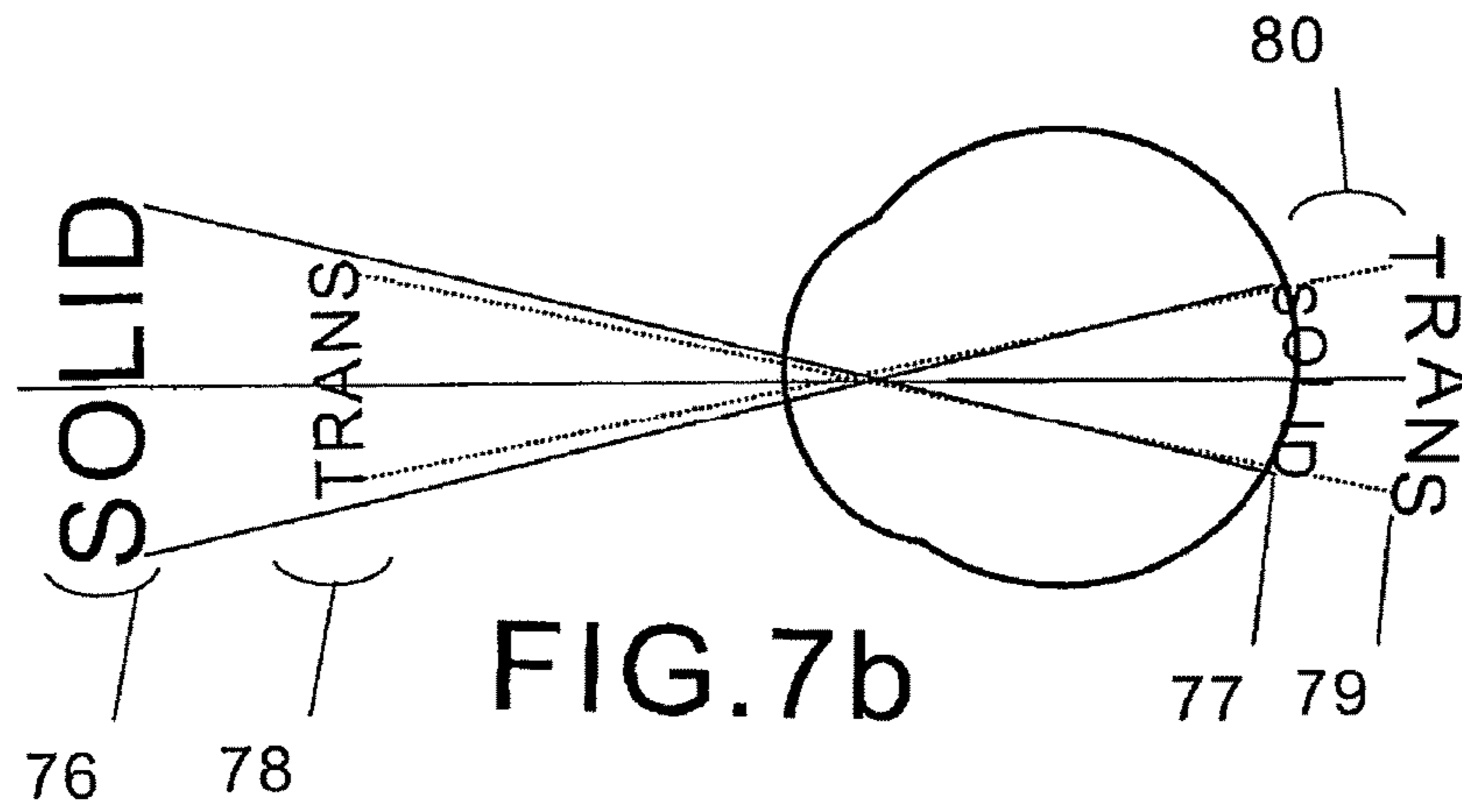
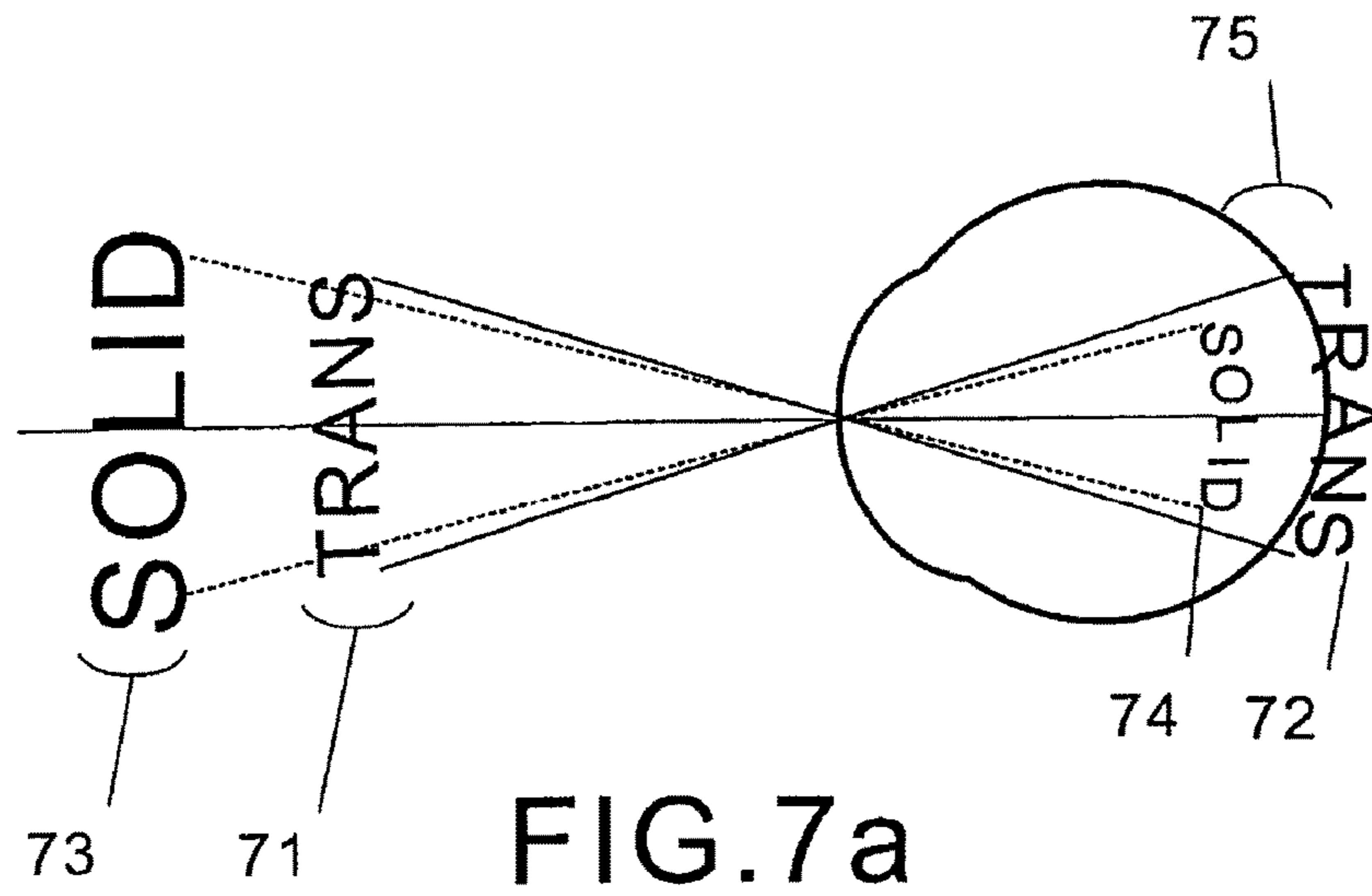


FIG.6b



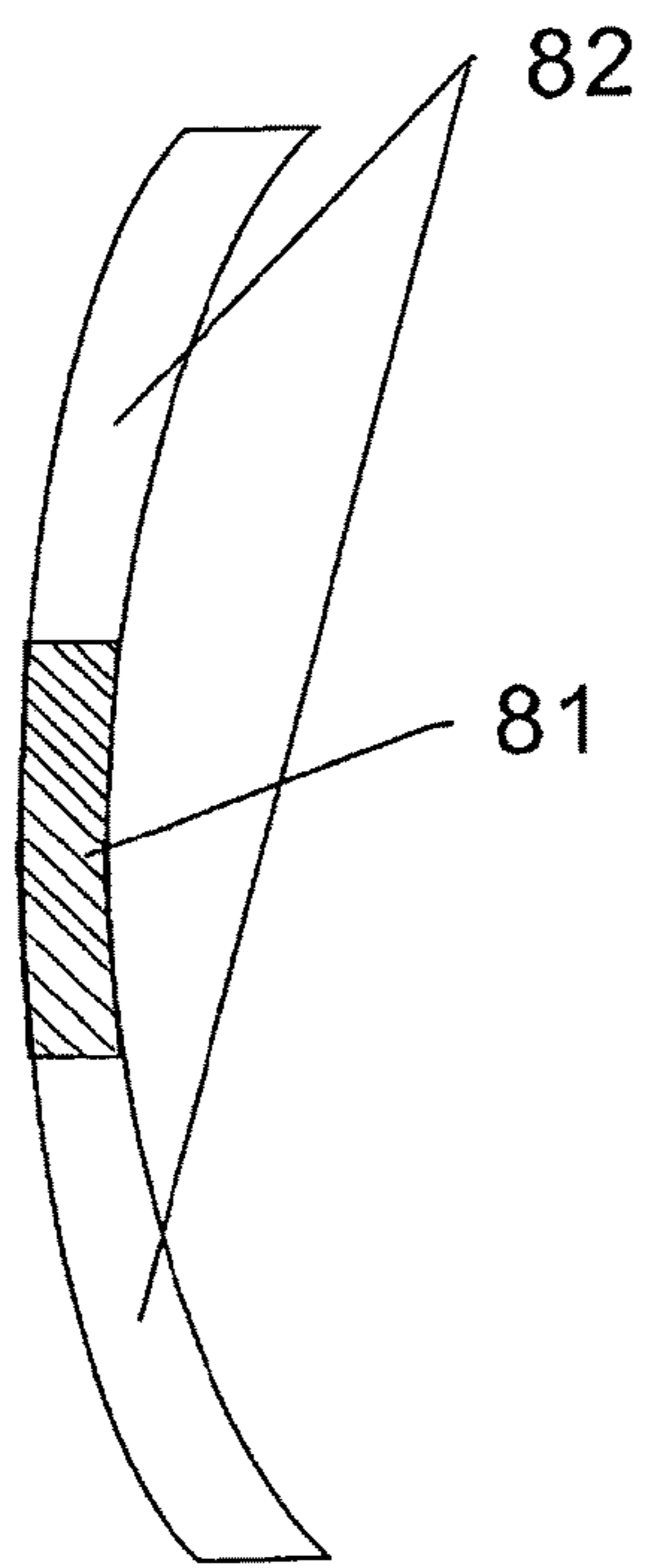


FIG. 8a

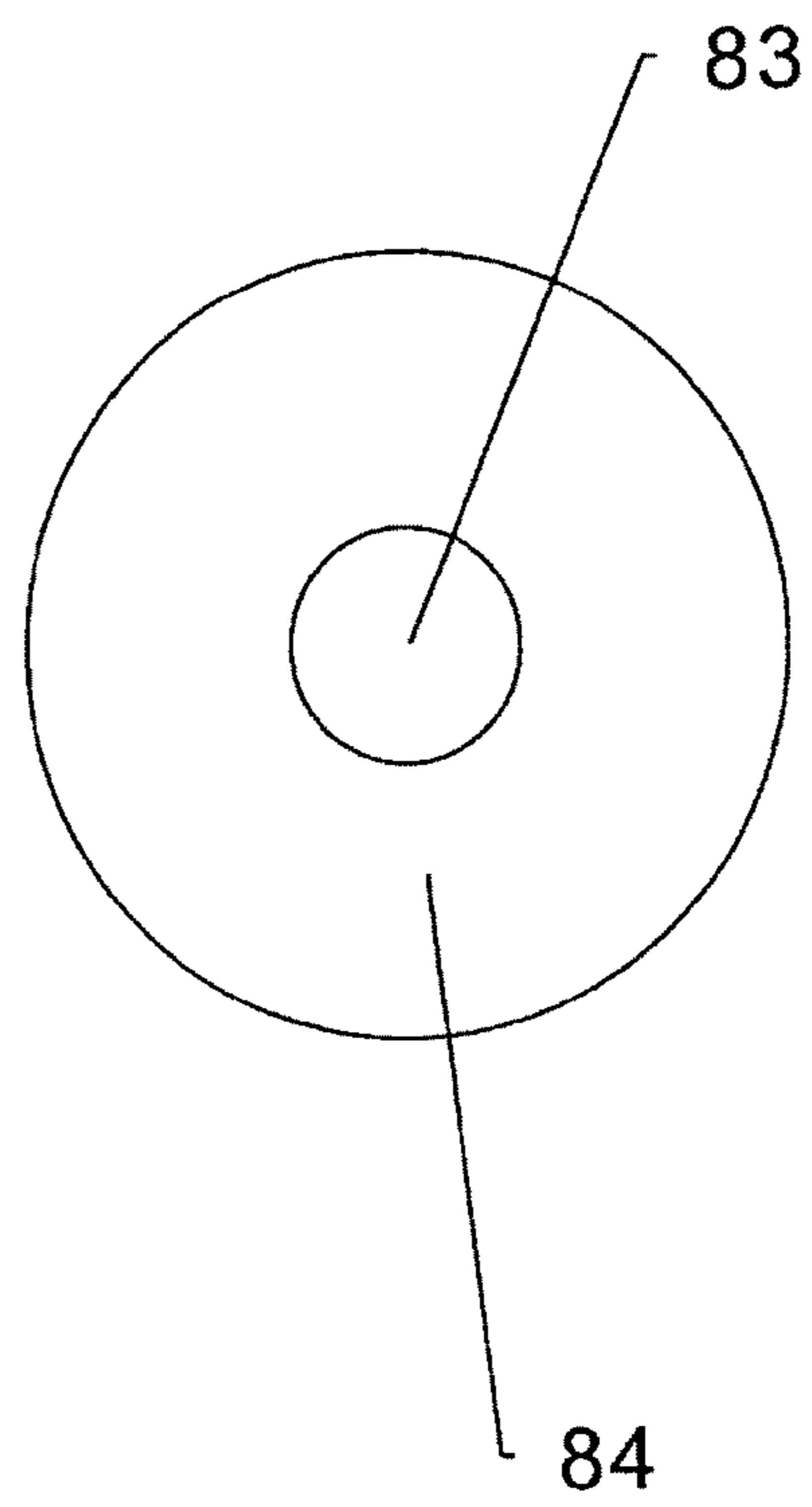
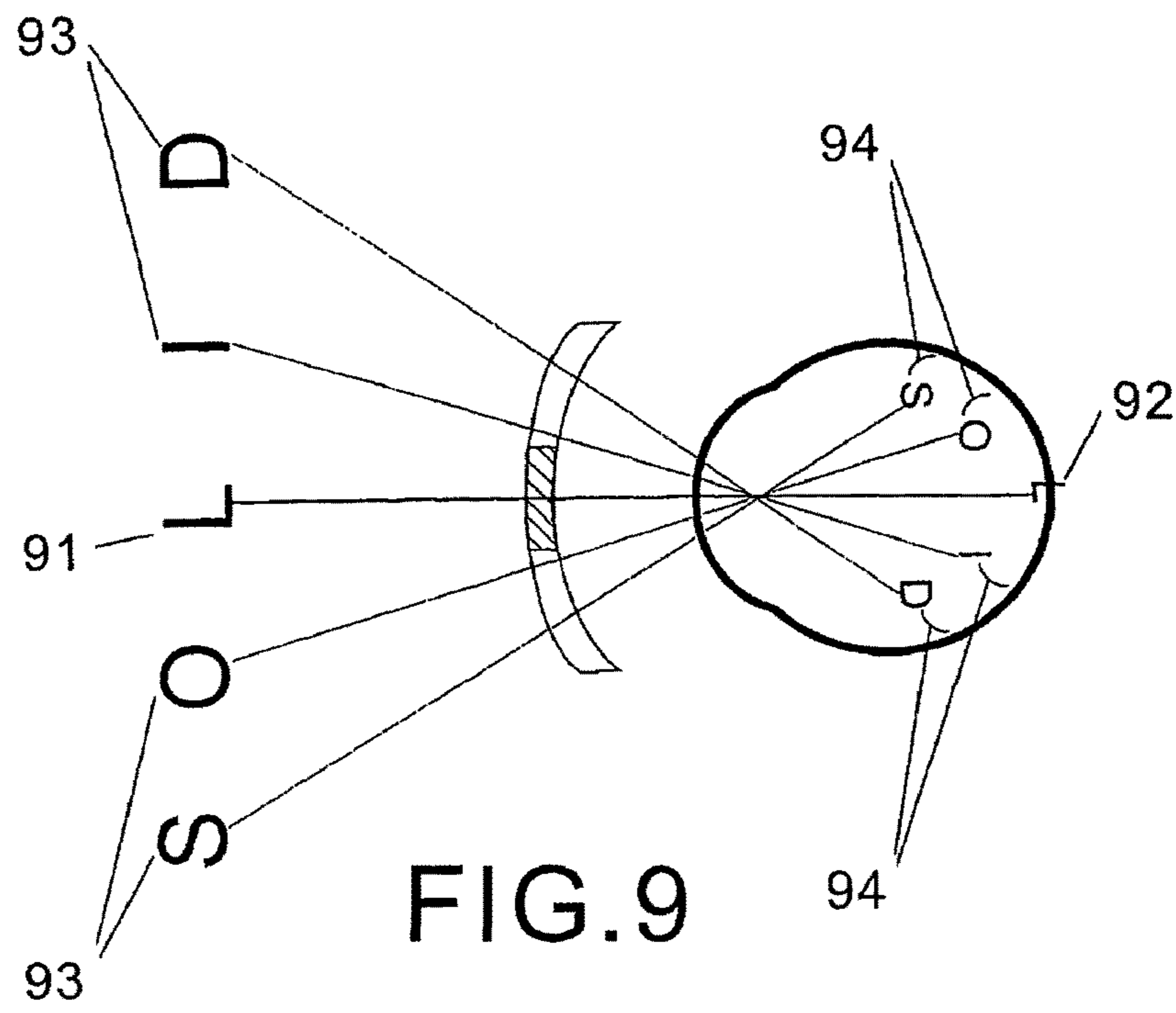
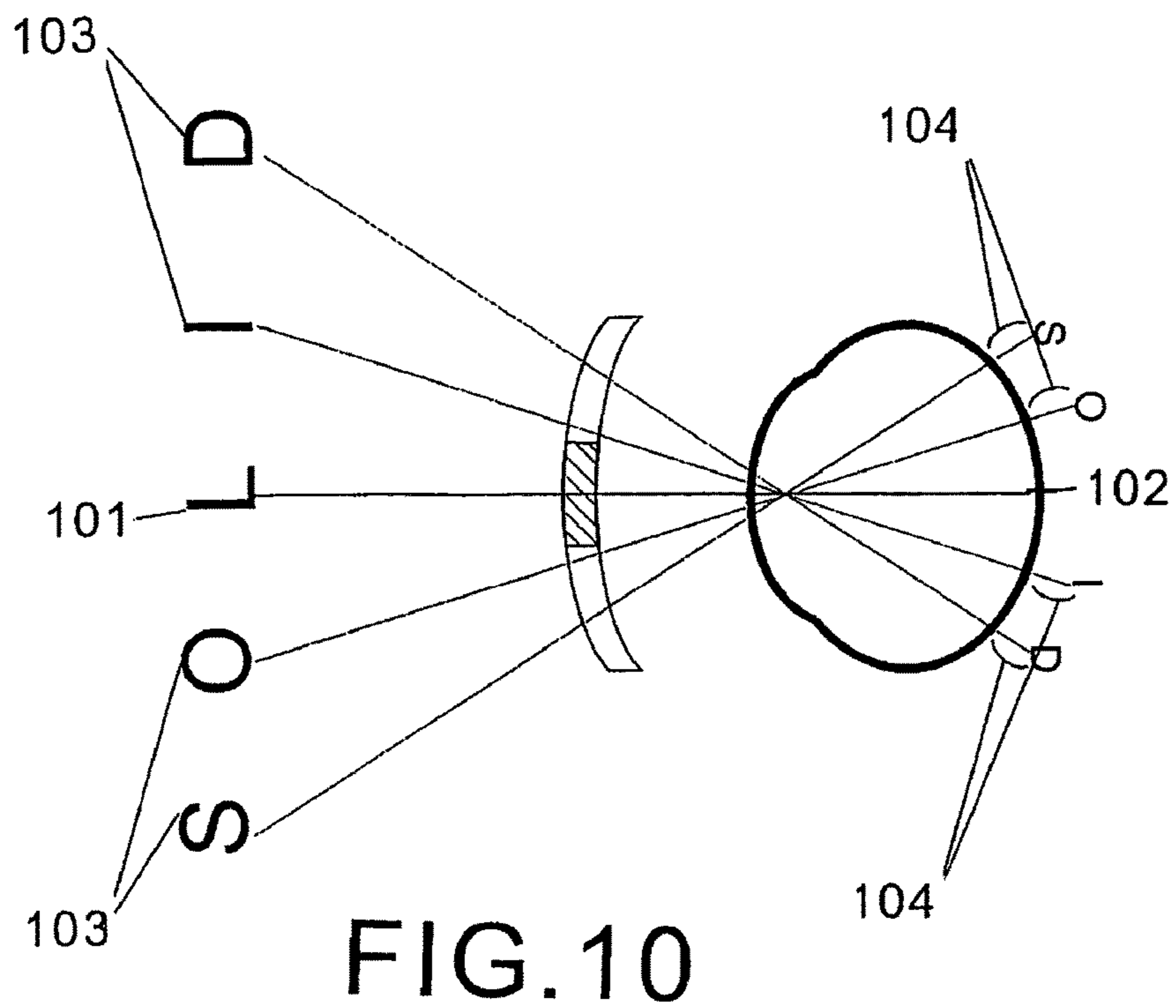


FIG. 8b







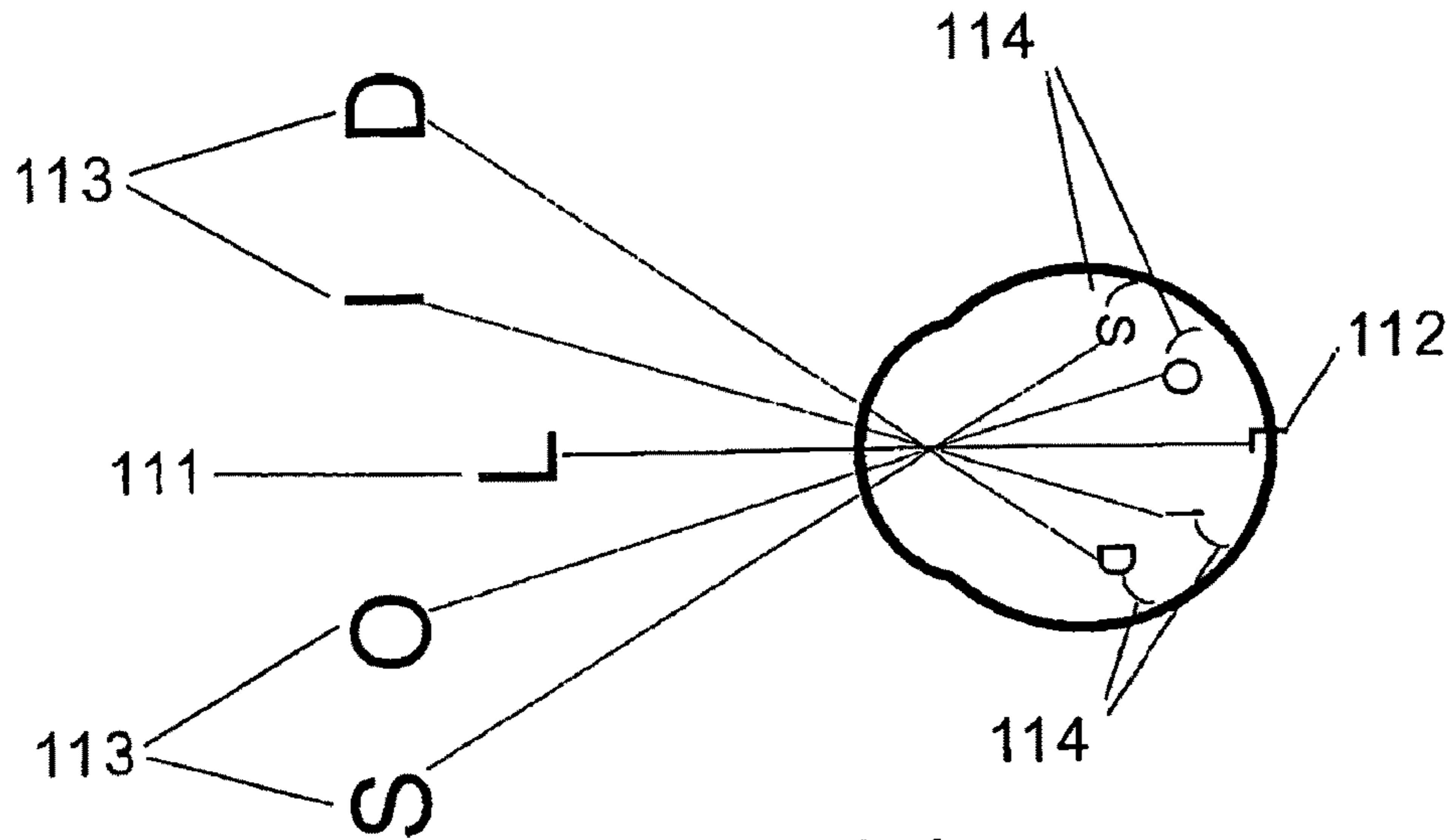


FIG. 11a

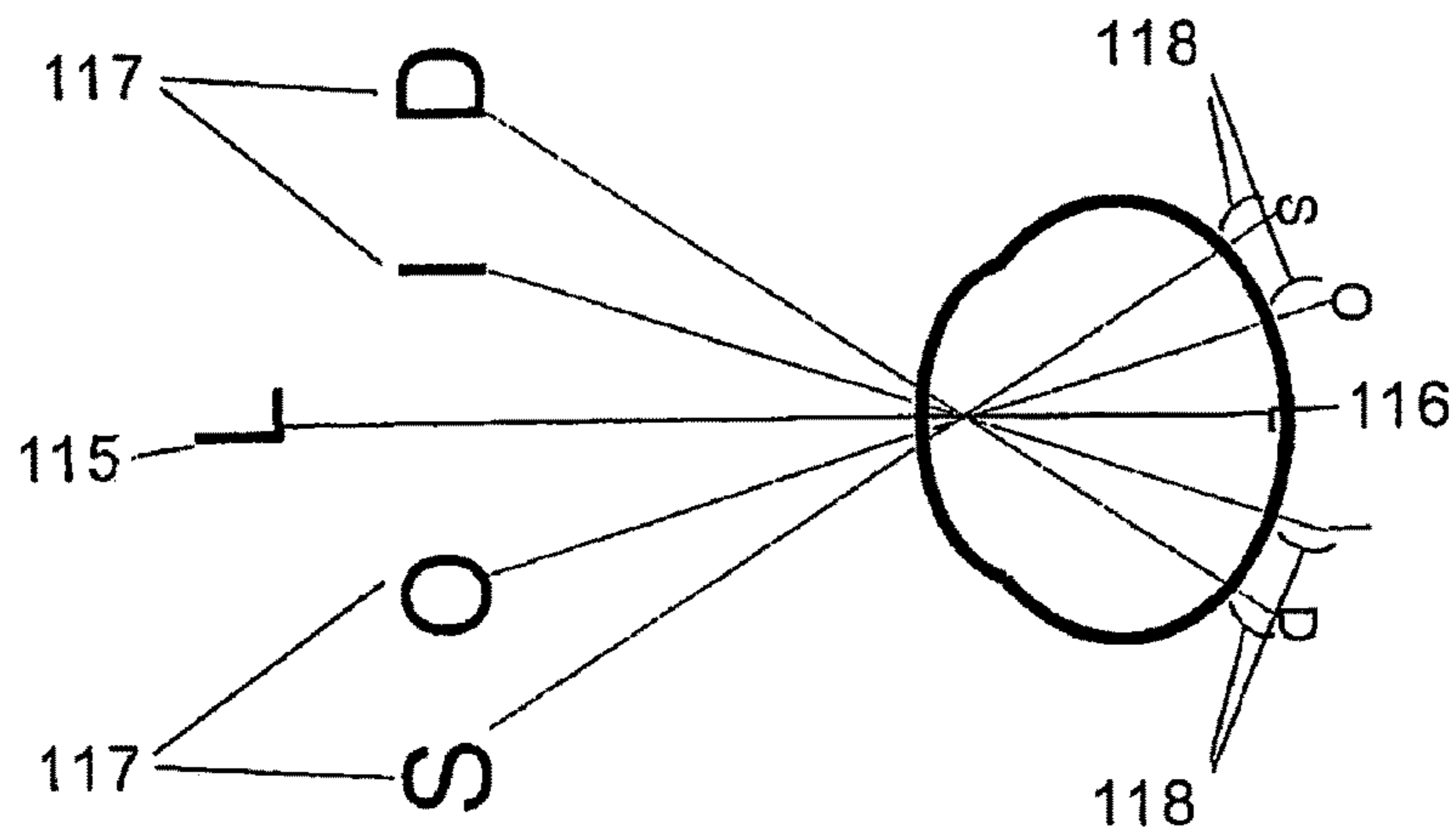


FIG. 11b

## LENS FOR OPTICAL TREATMENT

**Matter enclosed in heavy brackets [ ] appears in the original patent but forms no part of this reissue specification; matter printed in italics indicates the additions made by reissue; a claim printed with strikethrough indicates that the claim was canceled, disclaimed, or held invalid by a prior post-patent action or proceeding.**

*Notice: More than one reissue application has been filed of the reissue of U.S. Pat. No. 7,506,983. The reissue applications are application Ser. No. 14/457,080, filed on Aug. 11, 2014 (the present application), application Ser. No. 13/662,420, filed on Oct. 27, 2012 (now U.S. Pat. No. RE45,147), and application Ser. No. 13/053,289, filed on Mar. 22, 2011 (now U.S. Pat. No. RE43,851).*

## CROSS REFERENCE TO RELATED APPLICATIONS

*This application is a continuation reissue application of application Ser. No. 13/662,420, now RE45,147, which is a continuation reissue application of application Ser. No. 13/053,289, now RE43,851, which is a reissue of U.S. Pat. No. 7,506,983.*

## FIELD OF THE INVENTION

The present invention relates to a method of optical treatment. In particular, the present invention relates to a method for treating progression of refractive disorders, such as myopia and hyperopia, in human eyes.

## BACKGROUND OF THE INVENTION

The retina is the innermost layer of an eyeball and is the place where optical images created by the lens of the eye is focused. The information from the images are turned into nerve impulses, which are then sent to the brain via the optic nerve. If the retina does not coincide with the resultant focal point of the optical elements of the eye, defocus is generated. As used herein, the term "defocus" refers to the shift of the optical images to a point behind or in front of the retina. The human eye has a feedback mechanism that regulates the growth of the eye to achieve an optimal balance between the size/length of the eye and the focal length of the optical elements of the eye. This feedback mechanism is called emmetropization.

Myopia and hyperopia are common refractive disorders of human eyes. They are generally described as an imbalance between the focusing power of optical elements of the eye and the size/length of the eye. Focus of a myopic eye lies in front of the retina of the eye, while focus of a hyperopic eye lies behind the retina of the eye. It is generally accepted that these disorders are results of inaccurate axial growth during post-natal development of the eyes. In other words, myopia typically develops when the size/length of the eye grows to exceed the focal length of the optical elements of the eye, while hyperopia typically develops when the size/length of the eye grows to be shorter than the focal length of the optical elements of the eye.

Referring to FIG. 1, an optical image 12 is formed in front of the retina in the case of myopia. Defocus in this case is positive and called myopic defocus 13. The emmetropization mechanism operates to retard eye growth in size until

the retina 11 coincides with the optical image 12 when the myopic defocus 13 diminished. As a result, the eye becomes less myopic.

Referring to FIG. 2, optical image 22 is formed behind the retina 21 in the case of hyperopia. Defocus in this form is negative and called hyperopic defocus 23. The emmetropization mechanism operates to promote eye growth in size until the retina 21 coincides with the optical image 22 when the hyperopic defocus 23 diminished. As a result, the eye becomes less hyperopic.

Referring to FIG. 3, the natural major sources of defocus for a human eye come from accommodation lag and ambient defocus. The accommodation lag is generally projected by the object of interest 35 onto the center of the retina 31 or macula 34 along a visual axis 32. It usually ranges from 0.5 D to 1.0 D of hyperopic defocus 36 for a non-presbyope during near visual tasks, such as reading. Ambient defocus is projected by peripheral visual objects other than the object of interest 35. Since peripheral objects are usually positioned more distant than the object of interest 35, they usually produce myopic defocus up to 3.0 D during near visual tasks. For example, peripheral object 37 produce myopic defocus 38 at periphery of retina 31. Habitually, the peripheral visual objects are seldom positioned closer than the object of interest 35. However, if they do like peripheral object 39, hyperopic defocus 33 will be produced.

The natural process of emmetropization is regulated by the equilibrium between the above opposite defocus. Incidences of refractive errors are secondary to the disruption of the equilibrium. For example, insufficient ambient myopic defocus may cause myopia. On the other hand, excessive ambient myopic defocus may cause hyperopia.

Existing optical aids and refractive surgeries, in the form of spectacles, contact lens, corneal implant or shape modification of cornea, are corrective approaches involving alteration of the gross focusing power of the eye to produce sharper retinal images. They do not eliminate or deal with the cause of the disorders, but are just prosthetic.

The existing optical treatments to retard the progression of myopia by relieving the eye's accommodation during near visual tasks are recently shown to be clinically ineffective. Examples of those treatments include bi-focal addition lenses, multi-focal progressive addition lenses and their derivatives, and spherical aberration manipulations.

## SUMMARY OF THE INVENTION

The present invention is directed to a method for treating progression of a refractive disorder in a human eye. Particularly, the present invention provides methods for counteracting the development of myopia by enhancing myopic defocus. The present invention also provides methods for counteracting the development of hyperopia by enhancing hyperopic defocus. The apparatuses used in practice of the present invention alter the defocus equilibrium of the eye to influence axial eye growth in a direction towards emmetropia.

According to a general aspect of the present invention, the method for treating progression of a refractive disorder in a human eye includes producing a first image on a retina of the human eye and producing a second image to generate a defocus.

According to one aspect of the present invention, the method for treating progression of a refractive disorder in a human eye includes providing a Fresnel lens having primary optical zones and secondary optical zones. The primary optical zones include a primary refractive power, and sec-



ondary optical zone includes at least one secondary refractive power. The method also includes correcting the refractive disorder with the primary refractive power and generating at least one defocus with the secondary refractive power.

According to another aspect of the present invention, the method for treating progression of a refractive disorder in a human eye includes prescribing an optical system having a back layer and a partially transparent front layer. The method also includes producing a primary image of one of the front and back layers on a retina of the human eye and producing a secondary image of the other layer of the front and back layers to generate a defocus.

According to yet another aspect of the present invention, the method for treating progression of a refractive disorder in a human eye includes providing a lens including a central optical zone having a primary optical power and at least one peripheral optical zone having a secondary optical power. The method also includes producing a primary image on a retina of the human eye with the first optical power and producing at least one secondary image with the second optical power to generate a defocus.

According to yet another aspect of the present invention, the method for treating progression of a refractive disorder in a human eye includes prescribing an optical system having a central visual object and at least one peripheral visual object. The method also includes producing a first image of the central visual object on a central retina of the human eye and producing a second image of the peripheral visual object to generate a defocus.

#### BRIEF DESCRIPTION OF THE DRAWINGS

FIG. 1 is a schematic diagram showing the section of a myopic eye and the nature of myopic defocus.

FIG. 2 is a schematic diagram showing the section of a hyperopic eye and the nature of hyperopic defocus.

FIG. 3 is schematic diagram showing the section of an eye, illustrating the source and the formation of accommodation lag and ambient defocus.

FIG. 4a is a cross-sectional view of a Fresnel type concentric bi-focal or multi-focal lens used in practice of the present invention.

FIG. 4b is a back view of the Fresnel type concentric bi-focal or multi-focal lens of FIG. 4a.

FIG. 5a is a diagram of a myopic eye fitted with a concentric bi-focal lens in accordance with the present invention.

FIG. 5b is a diagram of a myopic eye fitted with a concentric multi-focal lens in accordance with the present invention.

FIG. 6a is a diagram of a hyperopic eye fitted with a concentric bi-focal lens in accordance with the present invention.

FIG. 6b is a diagram of a hyperopic eye fitted with a concentric multi-focal lens in accordance with the present invention.

FIG. 7a is a diagram of a myopic eye fitted with an optical system having of a semi-transparent front layer and a non-transparent back layer in accordance with the present invention.

FIG. 7b is a diagram of a hyperopic eye fitted with an optical system having a non-transparent back layer and a semi-transparent front layer in accordance with the present invention.

FIG. 8a is a cross-sectional view of a central-peripheral multi-focal lens used in practice of the present invention.

FIG. 8b is a back view of the central-peripheral multi-focal lens of FIG. 8a.

FIG. 9 is a diagram of a myopic eye fitted with the central-peripheral multi-focal lens of FIG. 8a and FIG. 8b in accordance with the present invention.

FIG. 10 is a diagram of a hyperopic eye fitted with the central-peripheral multi-focal lens of FIG. 8a and FIG. 8b in accordance with the present invention.

FIG. 11a is a diagram of a myopic eye fitted with an optical system having peripheral visual objects positioned closer than a central visual object in accordance with the present invention.

FIG. 11b is a diagram of a hyperopic eye fitted with an optical system having peripheral visual objects positioned closer than a central visual object in accordance with the present invention.

#### DETAILED DESCRIPTION OF THE INVENTION

The present invention is directed to a method for treating progression of a refractive disorder in a human eye. Particularly, the present invention provides a method for counteracting the development of myopia by enhancing myopic defocus. The present invention also provides a method for counteracting the development of hyperopia by enhancing of hyperopic defocus. The apparatuses used in practice of the present invention alter the defocus equilibrium of the eye to influence axial eye growth in a direction towards emmetropia.

The artificial shift of the defocus equilibrium in the optical system of the eye may be introduced by any desired method, for example by spectacle lens, spectacle lens add-on, contact lens, corneal shape-modification, ocular implant or designated viewing system. It is preferred that the shift be introduced together with the conventional correction so that normal vision can be maintained throughout the treatment. This means that a focused image must be maintained near the macula 34, while one or more defocused images are being introduced into the optical system of the eye.

A treatment method in accordance with the present invention introduces at least a defocused image and a focused image in a superimposed manner. The defocused and focused images can be introduced simultaneously, for example, by a concentric Fresnel type bi-focal or multi-focal lens as shown in FIGS. 4-6, diffractive multi-focal lens and their derivatives, or an optical system as shown in FIG. 7.

Referring now FIGS. 4a and 4b, there shown is the Fresnel concentric bi-focal or multi-focal lens having alternating concentric optic zones 41 and 42 of at least two refractive powers used in practice of the present invention. A common way to manufacture the Fresnel concentric bi-focal lens is to make one of the surfaces with two radius of curvature. For example, the zone 42 with a shorter radius of curvature (i.e. more curved) than the other zone 41 with a longer radius of curvature (i.e. flatter) exhibits a more negative refractive power. The zone with a more negative power 44 and the zone with a less negative power 43 alternate in a concentric manner. As a result, paraxial light rays and peripheral light rays share two common focal points.

FIG. 5a shows a myopic eye fitted with a Fresnel type concentric bi-focal lens 50 having a primary refractive power correcting the myopia and a secondary power to introduce myopic defocus in accordance with the present invention. Light rays 51 entering the optical zones having the primary power are focused on the retina 52, producing



5

a sharp image of a visual object. At the same time, other light rays **53** entering the optical zones having the secondary power are focused at a point **54** in front of the retina **52**, producing the myopic defocus **55**. When a myopic patient uses the lens **50** to view an object, the myopic defocus **55** prevents the eye from growing or elongating. Consequently, myopic progression in the myopic eye is slowed, stopped or reversed.

FIG. **6a** shows a hyperopic eye fitted with a Fresnel type concentric bi-focal lens **60** having a primary refractive power to correct the hyperopia and a secondary power to introduce hyperopic defocus. Light rays **61** entering the optical zones having the primary power are focused onto the retina **62**, producing a sharp image of a visual object. Simultaneously, other light rays **63** entering the optical zones having the secondary power are focused at a point **64** behind the retina **62**, producing the hyperopic defocus **65**. When a hyperopic patient uses the lens **60** to view an object, the hyperopic defocus **65** promotes the eye in growing or elongating. Consequently, myopic progression in the hyperopic eye is increased or induced, and hyperopia is reduced.

A Fresnel type of concentric multi-focal lens is a derivative of the Fresnel type concentric bi-focal lens. It has alternating concentric optic zones of more than two refractive powers. The primary refractive power corrects the refractive error, while the multiple secondary powers introduce optical defocus for treatment. This can be achieved by a minor variation on the radius of curvature of the secondary optical zones.

FIG. **5b** shows a myopic eye fitted with a Fresnel type concentric multi-focal lens **56** in accordance with the present invention. Light rays **51** entering the optical zones having the primary power are focused on the retina **52**, producing a sharp image of a visual object. At the same time, other light rays **53** entering the optical zones having the secondary powers are focused at points **57** in front of the retina **52**, producing multiple myopic defocus **58** of various amplitudes. When a myopic patient uses the lens **56** to view an object, the myopic defocus **58** prevent the eye from growing or elongating. Consequently, myopic progression in the myopic eye is slowed, stopped or reversed.

FIG. **6b** shows a hyperopic eye fitted with a Fresnel type concentric multi-focal lens **66**. Light rays **61** entering the optical zones having the primary power are focused onto the retina **62**, producing a sharp image of a visual object. Simultaneously, other light rays **63** entering the optical zones having the secondary powers are focused at points **67** behind the retina **62**, producing multiple hyperopic defocus **68** of various amplitudes. When a hyperopic patient uses the lens **66** to view an object, the hyperopic defocus **68** promotes the eye in growing or elongating. Consequently, myopic progression in the hyperopic eye is increased or induced, and hyperopia is reduced.

FIG. **7a** shows a myopic eye fitted with an optical system having a primary semi-transparent front layer **71** and a secondary non-transparent back layer **73** in accordance with the present invention. The front layer **71** matches the focal point of the eye, producing a sharp image **72** on the retina. At the same time, the back layer **73** produces an image **74** in front of the retina causing a myopic defocus **75** superimposed on the sharp image **72**. When a myopic patient uses this optical system, the myopic defocus **75** prevents the eye from growing or elongating. Consequently, myopic progression in the myopic eye is slowed, stopped or reversed.

FIG. **7b** shows a hyperopic eye fitted with an optical system having a primary non-transparent back layer **76** and a secondary semi-transparent front layer **78** in accordance

6

with the present invention. The back layer **76** matches the focal point of the eye, producing a sharp image **77**. In the same time, the front layer **78** produces an image **79** behind the retina causing a hyperopic defocus **80** superimposed on the sharp image **77**. When a hyperopic patient uses this optical system, the hyperopic defocus **80** promotes the eye in growing or elongating. Consequently, myopic progression in the hyperopic eye is increased or induced, and hyperopia is reduced.

To improve the visual performance produced by the treatment methods and to avoid the user from mixing up his or her primary and secondary optical components, the optical quality of the retinal image produced by the primary components can be strengthened over the image produced by the secondary components. This can be achieved by manipulating the area ratio between the different zones of the Fresnel lenses and manipulating the transmission proportion of the semi-transparent layers.

An alternative method in accordance with the present invention introduces defocused image at peripheral retina only and keeps focused image at central retina. People habitually maintain a sharp image at central retina by a voluntary fixation reflex. Accordingly, the way to simultaneously present two images is the introduction of the defocus image at peripheral retina through the use of a central-peripheral multi-focal lens as shown in FIGS. **8-10** and an optical system as shown in FIG. **11**.

As shown in FIGS. **8a** and **8b**, the central-peripheral multi-focal lens includes concentric optical zones of two or more optical powers. One way to manufacture this kind of lens is to generate the zones with materials of different refractive index. The central zone **81**, which has a higher refractive index than the peripheral zone **82**, exhibits higher refractive power. The two zones **81** and **82** are positioned in a generally concentric manner, with the refractive power decreasing from the central towards the peripheral across the lens. The transition can be subtle or progressive, depending on the manufacturing process.

FIG. **9** shows a myopic eye fitted with a negative central-peripheral multi-focal lens, which has a primary central refractive power correcting the myopia and a secondary peripheral refractive power to introduce myopic defocus, in accordance with the present invention. Light rays entering the central zone of the lens from a central visual objects **91** are focused onto the central retina, producing a corresponding central sharp image **92**. Simultaneously, light rays entering the peripheral zone of the lens from the peripheral visual objects **93** are focused at points in front of the peripheral retina, producing the peripheral myopic defocus **94** required for the treatment effect for myopia. When a myopic patient uses the lens to view the visual objects **91** and **93**, the myopic defocus **94** prevents the eye from growing or elongating. Consequently, myopic progression in the myopic eye is slowed, stopped or reversed.

FIG. **10** shows a hyperopic eye fitted with a positive central-peripheral multi-focal lens, which have a primary central refractive power correcting the hyperopia and a secondary peripheral refractive power to introduce hyperopic defocus, in accordance with the present invention. Light rays entering the central zone of the lens from the central visual objects **101** are focused onto the central retina, producing a corresponding central sharp image **102**. Simultaneously, light rays entering the peripheral zone of the lens from the peripheral visual objects **103** are focused at points behind the peripheral retina, producing the peripheral hyperopic defocus **104** required for the treatment effect for hyperopia. When a hyperopic patient uses this optical sys-



tem, the hyperopic defocus 104 promotes the eye in growing or elongating. Consequently, myopic progression in the hyperopic eye is increased or induced, and hyperopia is reduced.

FIG. 11a shows a myopic eye fitted with a pre-designed visual environment or an optical system, which has peripheral visual objects 113 positioned far away from the eye compared with the central visual object 111, in accordance with the present invention. Light rays from the central object 111, as directed by basic optics and the fixation reflex of the eye, are focused onto the central retina, producing a corresponding central sharp image 112. Simultaneously, light rays from peripheral visual objects 113 are focused at points in front of the peripheral retina, producing peripheral myopic defocus 114 required for the treatment of myopia. When a myopic patient uses this optical system, the myopic defocus 114 prevents the eye from growing or elongating. Consequently, myopic progression in the myopic eye is slowed, stopped or reversed.

FIG. 11b shows a hyperopic eye fitted with a pre-designed visual environment or an optical system, which has peripheral visual objects 117 positioned close to the eye compared with the central visual object 115. Light rays from the central object 115, as directed by basic optics and the fixation reflex of the eye, are focused onto the central retina producing a corresponding central sharp image 116. Simultaneously, light rays from peripheral visual objects 117 are focused at points behind the peripheral retina, producing peripheral hyperopic defocus 118 required for the treatment of hyperopia. When a hyperopic patient uses this optical system, the hyperopic defocus 118 promotes the eye in growing or elongating. Consequently, myopic progression in the hyperopic eye is increased or induced, and hyperopia is reduced.

Although the present invention has particular applications in curing and preventing the progression of refractive disorders of the eye such as myopia and hyperopia, it is to be understood that the invention could be used in other applications such as the prevention of pathological myopic degeneration of the eye.

Although the present invention has been described with reference to preferred methods, workers skilled in the art will recognize that changes may be made in form and detail without departing from the spirit and scope of the invention. In addition, the invention is not to be taken as limited to all of the details thereof as modifications and variations thereof may be made without departing from the spirit or scope of the invention.

We claim:

**[1.** A method for retarding the progression of myopia or hyperopia in a human eye, the method comprising:

- (a) providing a Fresnel concentric multi-focal lens comprising primary optical zones having a primary refractive power and secondary optical zones having at least one secondary refractive power; and
- (b) correcting the myopia or hyperopia with the primary refractive power and generating at least one defocus with the secondary refractive power,

wherein the primary optical zones enable near and distant objects to be viewed; and the secondary optical zones generate myopic defocus to retard myopia or generate hyperopic defocus to retard hyperopia.]

**[2.** The method of claim 1, wherein:

- the step (b) comprises focusing a first stream of light rays of an object onto a retina of the human eye through the primary optical zones to correct the myopia and focusing a second stream of light rays of the object in front

of the retina through the secondary optical zones to generate at least one myopic defocus.]

**[3.** The method of claim 1, wherein:

the step (b) comprises focusing a primary stream of light rays of an object onto a retina of the human eye through the first optical zones to correct the hyperopia and focusing a second stream of light rays of the object behind the retina through the secondary optical zones to generate at least one hyperopic defocus.]

**[4.** The method of claim 1, wherein the step (a) comprises prescribing a Fresnel concentric bi-focal lens to produce a defocus in step (b).]

**[5.** The method of claim 1, wherein the step (a) comprises providing a Fresnel concentric multi-focal lens producing two or more defocuses in step (b).]

**[6.** The method of claim 1, wherein the Fresnel concentric multi-focal lens is a concentric bi-focal lens.]

*7. A concentric multi-focus lens for retarding the progression of myopia in a human eye, the lens comprising:*

*a first lens side;*

*a primary optical zone on the first lens side having a first curvature configured to form a primary refractive power, wherein the primary refractive power is configured to correct the myopia; and*

*a secondary optical zone on the first lens side having at least one second curvature configured to form at least one secondary refractive power, the at least one second curvature being different and non-continuous relative to the first curvature, wherein the secondary refractive power is configured to generate at least one myopic defocus to retard myopia.*

*8. The lens of claim 7, the primary optical zone is configured to focus a first stream of light rays of an object onto a retina of the human eye to correct the myopia, and the secondary optical zone is configured to focus a second stream of light rays of the object in front of the retina to generate at least one myopic defocus.*

*9. The lens of claim 7, wherein the lens is a bi-focal lens configured to produce a single defocus to retard myopia.*

*10. The lens of claim 7 comprising a third optical zone having a third refractive power configured to generate another myopic defocus to retard myopia.*

*11. The lens of claim 7, wherein the lens is configured to produce two or more defocuses to retard myopia.*

*12. The lens of claim 7, wherein the primary optical zone is configured to generate a focused image in a central optic zone, and the secondary optical zone is configured to generate a defocused image in the central optic zone at a spaced distance from the focused image.*

*13. The lens of claim 7, wherein the lens is a contact lens.*

*14. The lens of claim 7, wherein the transition between the primary optical zone and the secondary optical zone is progressive.*

*15. A lens for retarding the progression of myopia in a human eye, the lens comprising:*

*a first lens side;*

*a primary optical zone on the first lens side having a first curvature configured to form a primary refractive power, wherein the primary refractive power is configured to correct the myopia during usage of the lens; and*

*a secondary optical zone on the first lens side having at least one second curvature configured to form at least one secondary refractive power, wherein the at least one second curvature is different and non-continuous relative to the first curvature,*



wherein the secondary refractive power is configured to generate at least one myopic defocus to retard myopia during usage of the lens, and

wherein at least part of the secondary optical zone is formed concentrically about at least part of the primary optical zone.

16. The lens of claim 15, wherein during use for retarding the progression of myopia, the primary optical zone is configured to focus a first stream of light rays of an object onto a retina of the human eye to correct the myopia, and the secondary optical zone is configured to focus a second stream of light rays of the object in front of the retina to generate at least one myopic defocus.

17. The lens of claim 15, wherein the lens is a bi-focal lens configured to produce a single defocus to retard myopia.

18. The lens of claim 15 comprising a third optical zone having a third refractive power configured to generate another myopic defocus to retard myopia, wherein at least part of the third optical zone is formed concentrically about at least part of the secondary optical zone.

19. The lens of claim 15, wherein the lens is configured to produce two or more defocuses to retard myopia.

20. The lens of claim 15, wherein the primary optical zone is configured to generate a focused image in a central optic zone, and the secondary optical zone is configured to generate a defocused image in the central optic zone at a spaced distance from the focused image.

21. The lens of claim 15, wherein the lens is a contact lens.

22. The lens of claim 15, wherein the transition between the primary optical zone and the secondary optical zone is progressive.

23. A concentric multi-focus contact lens for retarding the progression of myopia in a human eye, the lens comprising: a first lens side;

a centrally located primary optical zone on the first lens side having a first curvature configured to form a primary refractive power,

wherein the primary refractive power is configured to correct myopia by generating a focused image in a central optic zone of the human eye during usage of the lens; and

a secondary optical zone on the first lens side having at least one second curvature configured to form at least one secondary refractive power,

wherein the at least one second curvature is different and non-continuous relative to the first curvature,

wherein at least part of the second optical zone is concentrically located about at least part of the centrally located primary optical zone, and

wherein the secondary refractive power is configured to generate at least one defocused image in the central optic zone of the human eye at a spaced distance from the focused image during usage of the lens to retard myopia.

24. The lens of claim 23, wherein the transition between the primary optical zone and the secondary optical zone is progressive.

\* \* \* \* \*