



US00RE46961E

(19) **United States**
(12) **Reissued Patent**
Le

(10) **Patent Number: US RE46,961 E**
(45) **Date of Reissued Patent: Jul. 24, 2018**

(54) **INFLATABLE PHOTO BOOTH**
(71) Applicant: **Tu Le**, Playa Vista, CA (US)
(72) Inventor: **Tu Le**, Playa Vista, CA (US)
(21) Appl. No.: **29/587,323**
(22) Filed: **Dec. 12, 2016**

D363,993 S * 11/1995 Johnson et al. D25/16
5,603,185 A * 2/1997 Murphy A63B 9/00
446/220
D638,551 S * 5/2011 Gann D25/16
D689,159 S * 9/2013 Wagoner D21/835
2006/0005475 A1* 1/2006 Millar B66B 11/0226
52/79.1
2008/0313969 A1* 12/2008 Colucci G03B 21/585
52/2.18

(Continued)

Related U.S. Patent Documents

Reissue of:

(64) Patent No.: **Des. 734,805**
Issued: **Jul. 21, 2015**
Appl. No.: **29/496,425**
Filed: **Jul. 11, 2014**

(51) **LOC (11) Cl.** **16-01**
(52) **U.S. Cl.**
USPC **D16/215**
(58) **Field of Classification Search**
USPC D16/215, 237; D25/16; D21/835
CPC G03B 17/00; G03B 17/42; G03B 17/48;
G03B 17/53; G03B 17/26; E04H 15/20;
E04H 15/2015; E04H 15/201; E04H
2015/202; E04H 2015/204
See application file for complete search history.

(56) **References Cited**

U.S. PATENT DOCUMENTS

3,864,708 A * 2/1975 Allen G03B 17/53
229/92.8
D241,333 S * 9/1976 Wheeler D25/16
4,959,670 A * 9/1990 Thayer, Jr. G03B 17/53
348/64
D324,873 S * 3/1992 Thayer D16/215
5,262,815 A * 11/1993 Aumiller G03B 17/53
348/E5.026

Primary Examiner — Phillip S Hyder

(74) *Attorney, Agent, or Firm* — Fitzgerald IP Law; John K Fitzgerald

(57) **CLAIM**

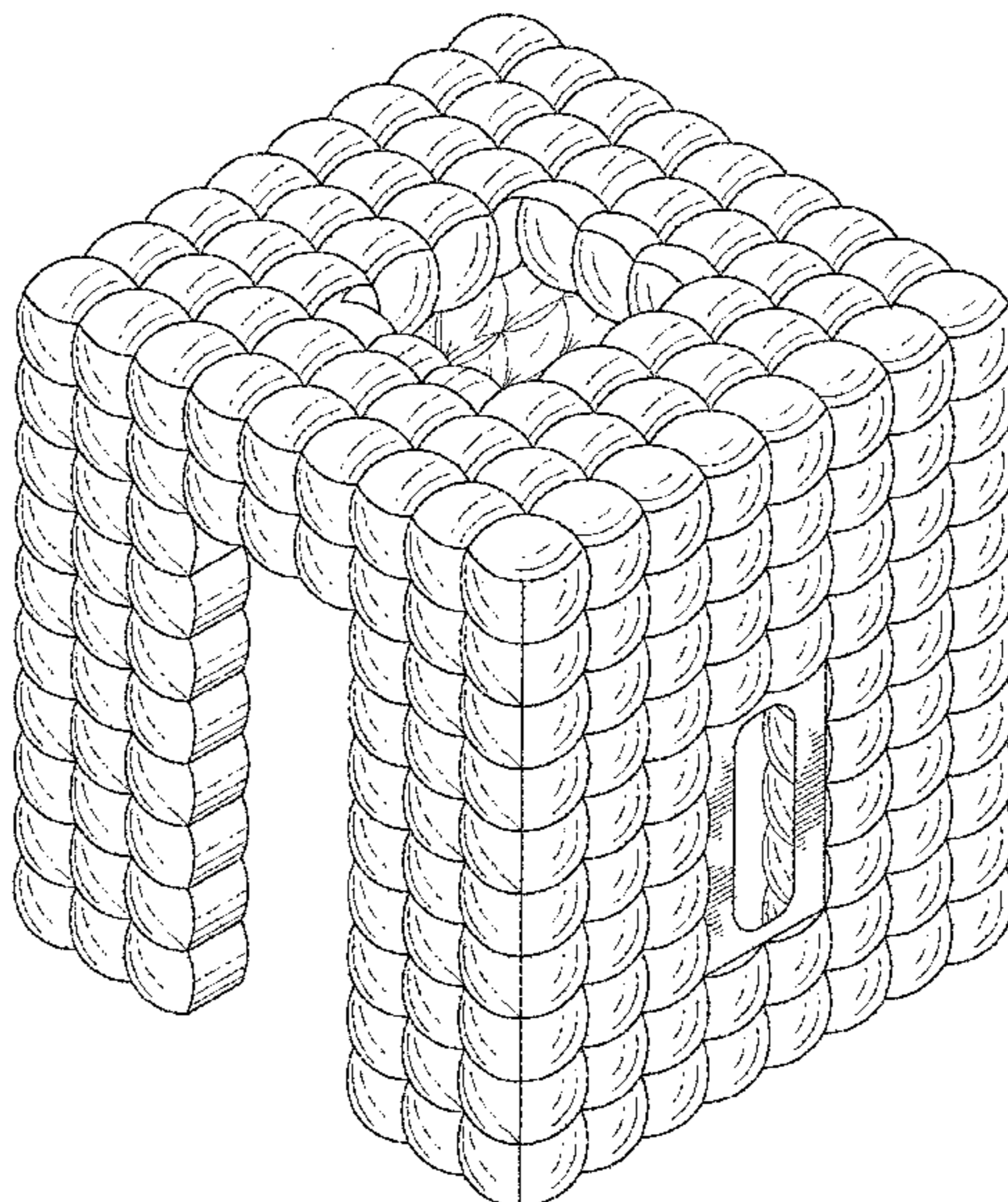
The ornamental design for an inflatable photo booth, as shown and described.

DESCRIPTION

FIG. 1 is a top, [rear] *front* and right side perspective view of an inflatable photo booth showing my new design; FIG. 2 is a [right side] *front* elevational view thereof; FIG. 3 is a left side elevational view thereof; FIG. 4 is a [front] *right side* elevational view thereof; and, [FIG. 5 is a rear elevational view thereof; and,] FIG. [6] 5 is a top plan view thereof. [The broken lines portions of a photo booth representing the contour of inner wall structures are shown for illustrative purposes only and form no part of the claimed design.]

1 Claim, 5 Drawing Sheets

Matter enclosed in heavy brackets [] appears in the original patent but forms no part of this reissue; matter printed in italics indicates the additions made by reissue.



(56)

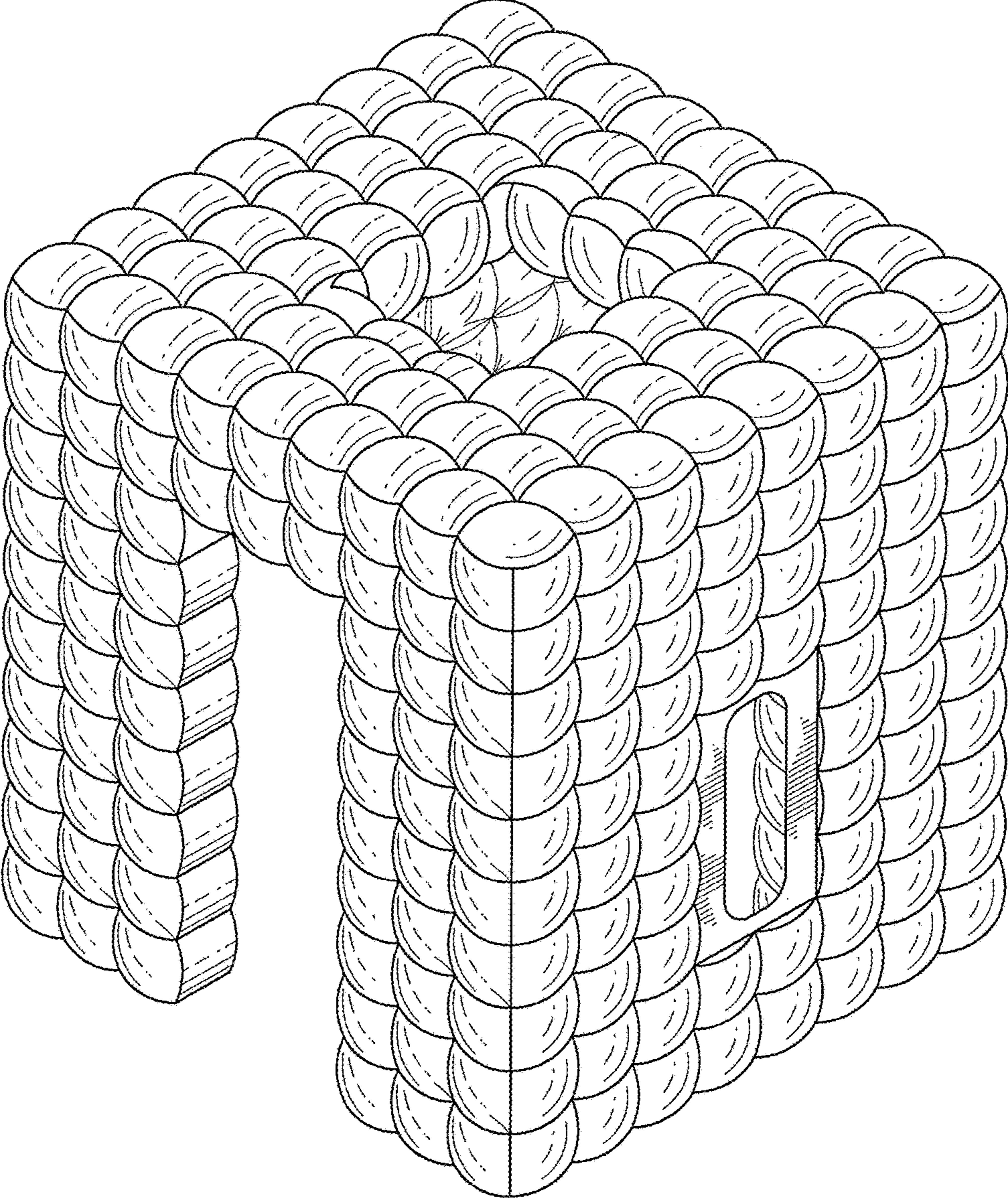
References Cited

U.S. PATENT DOCUMENTS

2009/0149111 A1* 6/2009 Scherba A63G 31/12
446/220
2012/0090248 A1* 4/2012 Thompson A63H 33/008
52/2.18

* cited by examiner

FIG. 1



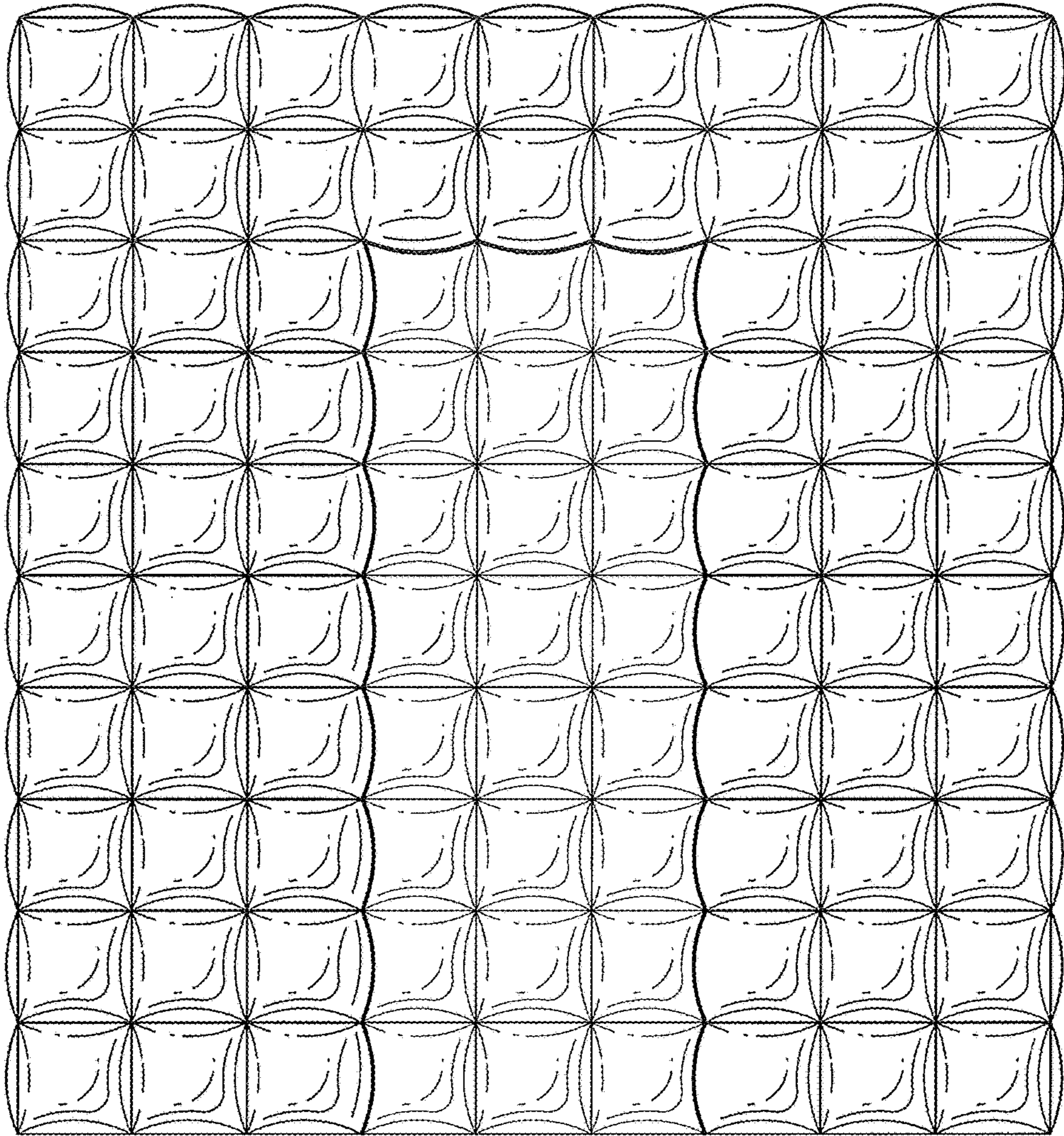


FIG. 2

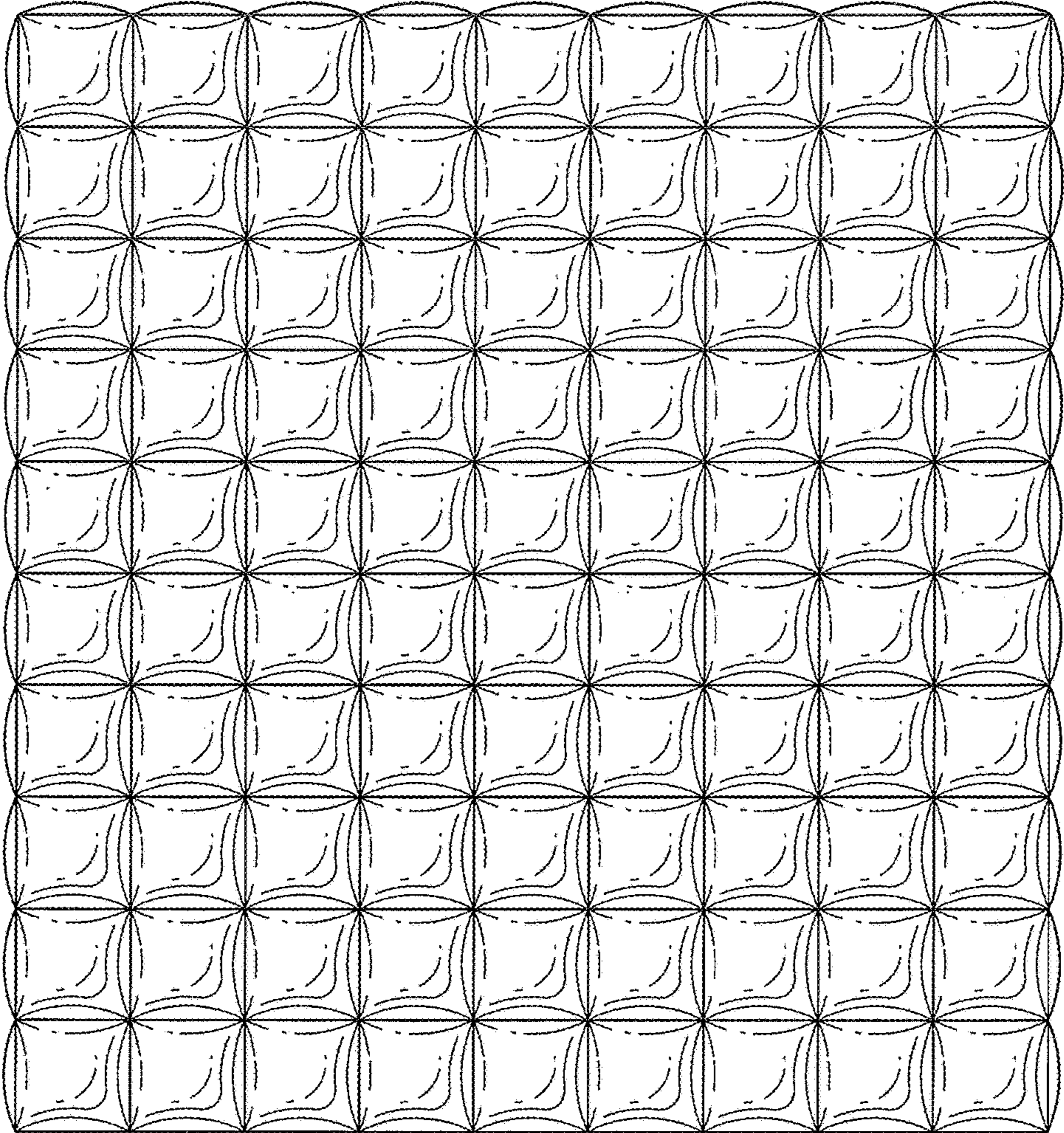


FIG. 3

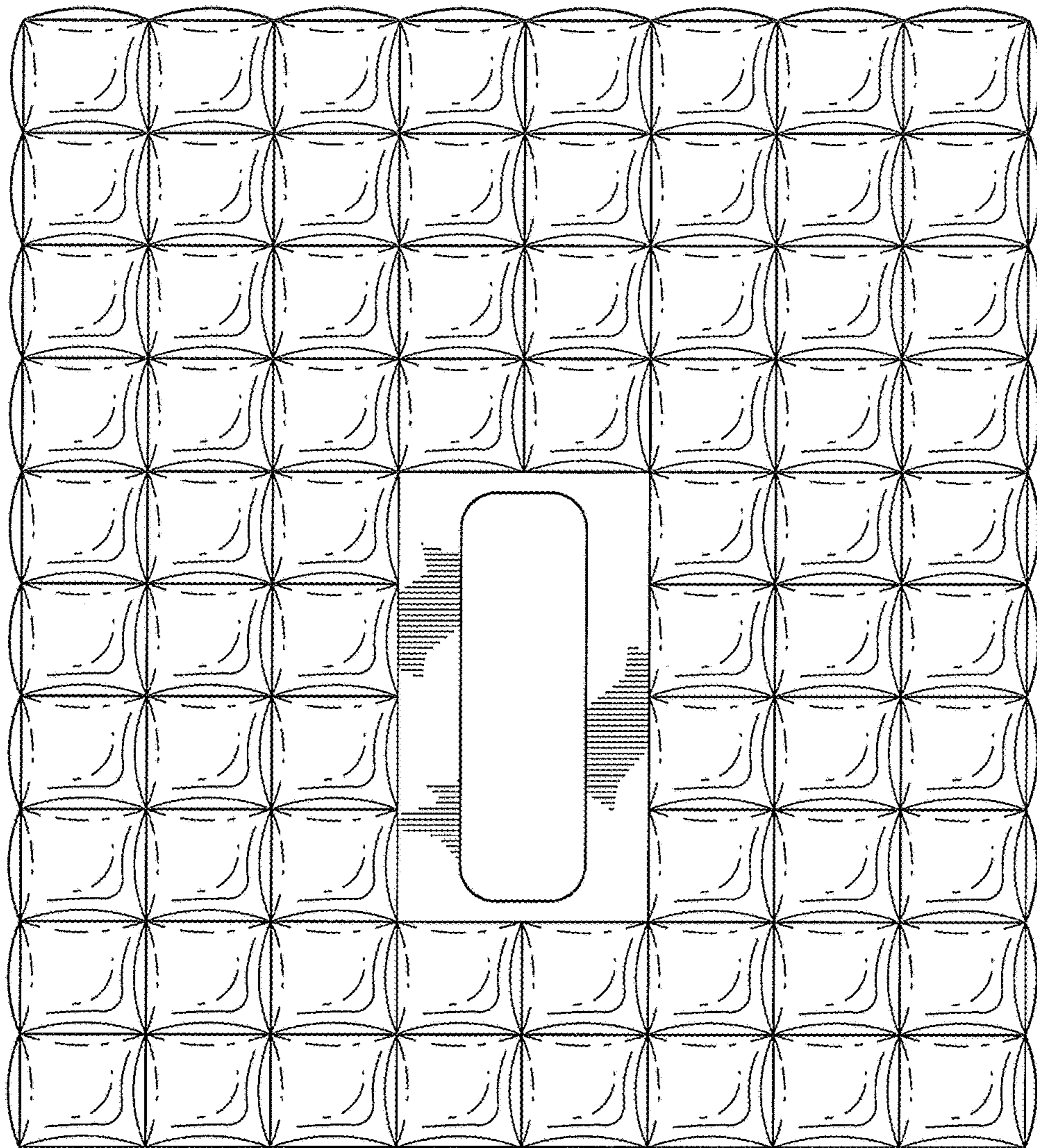


FIG. 4
AMENDED

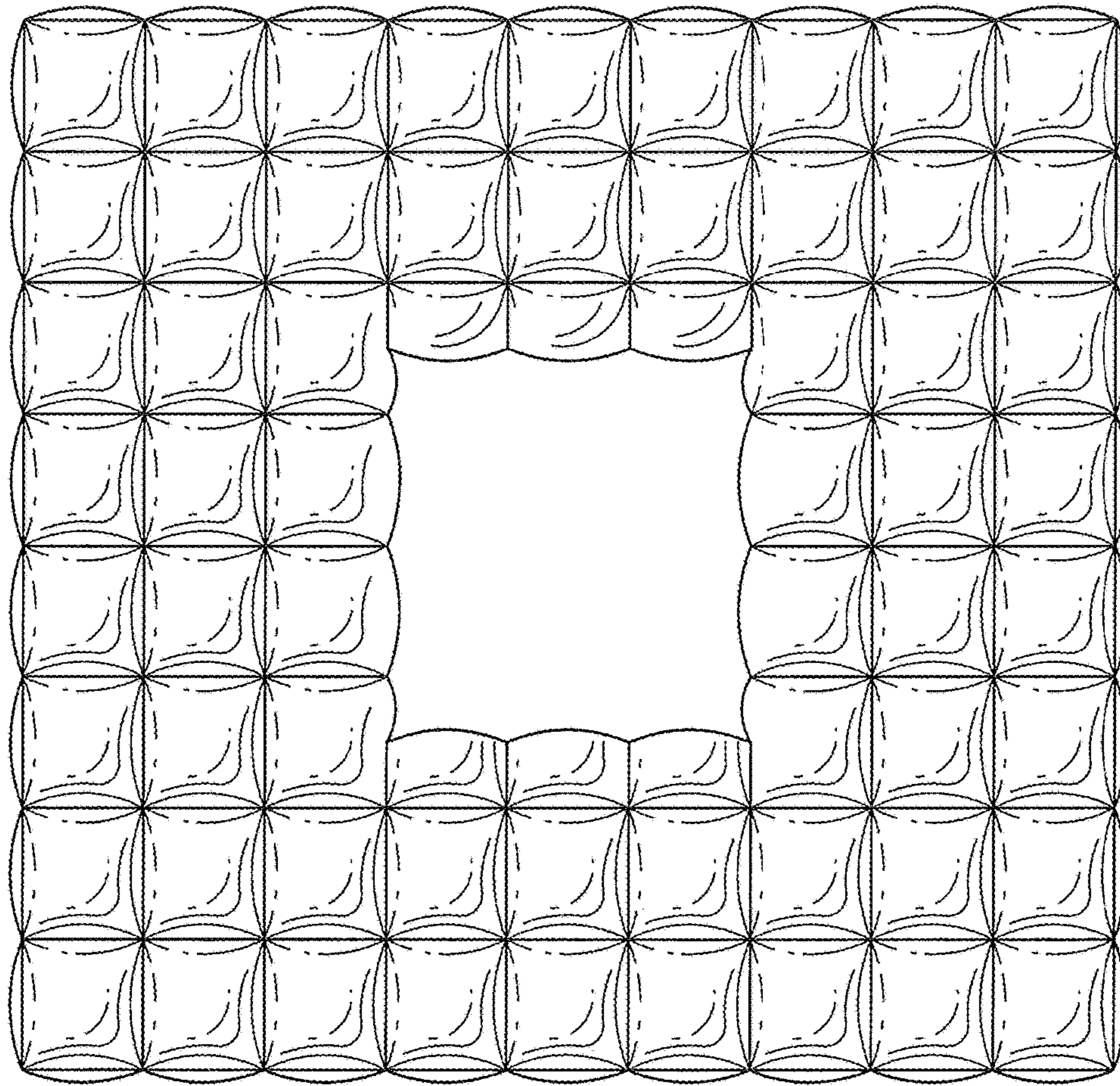


FIG. 5
AMENDED