



US00RE46940E

(19) **United States**
(12) **Reissued Patent**
Tompkin et al.

(10) **Patent Number: US RE46,940 E**
(45) **Date of Reissued Patent: Jul. 10, 2018**

(54) **SPEAKERPHONE**

(71) Applicant: **Polycom, Inc.**, San Jose, CA (US)

(72) Inventors: **Crispian Tompkin**, Los Angeles, CA (US); **Luke David Springer**, El Segundo, CA (US); **Anthony Martin Duys**, Merrimac, MA (US); **Alexander Baker Ekzut**, Austin, TX (US)

(73) Assignee: **Polycom, Inc.**, San Jose, CA (US)

(21) Appl. No.: **29/620,772**

(22) Filed: **May 31, 2017**

Related U.S. Patent Documents

Reissue of:

(64) Patent No.: **Des. 760,201**
Issued: **Jun. 28, 2016**
Appl. No.: **29/518,227**
Filed: **Feb. 20, 2015**

(51) **LOC (11) Cl.** **14-01**

(52) **U.S. Cl.**
USPC **D14/221**

(58) **Field of Classification Search**
USPC D14/149, 150, 155, 159, 215, 217, 218,
D14/221, 225, 229, 240, 299; D13/108;
D21/331

(Continued)

(56) **References Cited**

U.S. PATENT DOCUMENTS

4,363,482 A 12/1982 Goldfarb
D283,124 S * 3/1986 Kolb D14/210

(Continued)

FOREIGN PATENT DOCUMENTS

TW D108485 8/1994

OTHER PUBLICATIONS

Xing Conference Phone for Skype, <URL: www.ipevo.com>, retrieved from Internet Jan. 31, 2008.

(Continued)

Primary Examiner — Phillip S Hyder

(74) *Attorney, Agent, or Firm* — Blank Rome, LLP

(57) **CLAIM**

The ornamental design for a speakerphone, as shown and described.

DESCRIPTION

This application is an application for reissue of U.S. Design Pat. No. D760,201 which issued on Jun. 18, 2016, from U.S. Design application Ser. No. 29/518,227, filed Feb. 20, 2015, the contents of which are entirely incorporated by reference herein.

FIG. 1 is a perspective view showing a top, a front, and [a] the left side of a *first embodiment of a speakerphone* according to our new design;

FIG. 2 is [an] *a front elevational view [of the front of the speakerphone] thereof;*

FIG. 3 is [an] *a rear elevational view [of a back of the speakerphone] thereof;*

FIG. 4 is [an] *a left side elevational view [of the left side of the speakerphone] thereof;*

FIG. 5 is [an] *a right side elevational view [of a right side of the speakerphone; and] thereof;*

FIG. 6 is a *top plan view [of the top of the speakerphone; and,] thereof;*

FIG. 7 is a *bottom plan view [of a bottom of the speakerphone.] thereof;*

FIG. 8 is a perspective view showing a top, front and the left side of a second embodiment of a speakerphone according to our new design;

FIG. 9 is a front elevational view thereof;

FIG. 10 is a rear elevational view thereof;

FIG. 11 is a left side elevational view thereof;

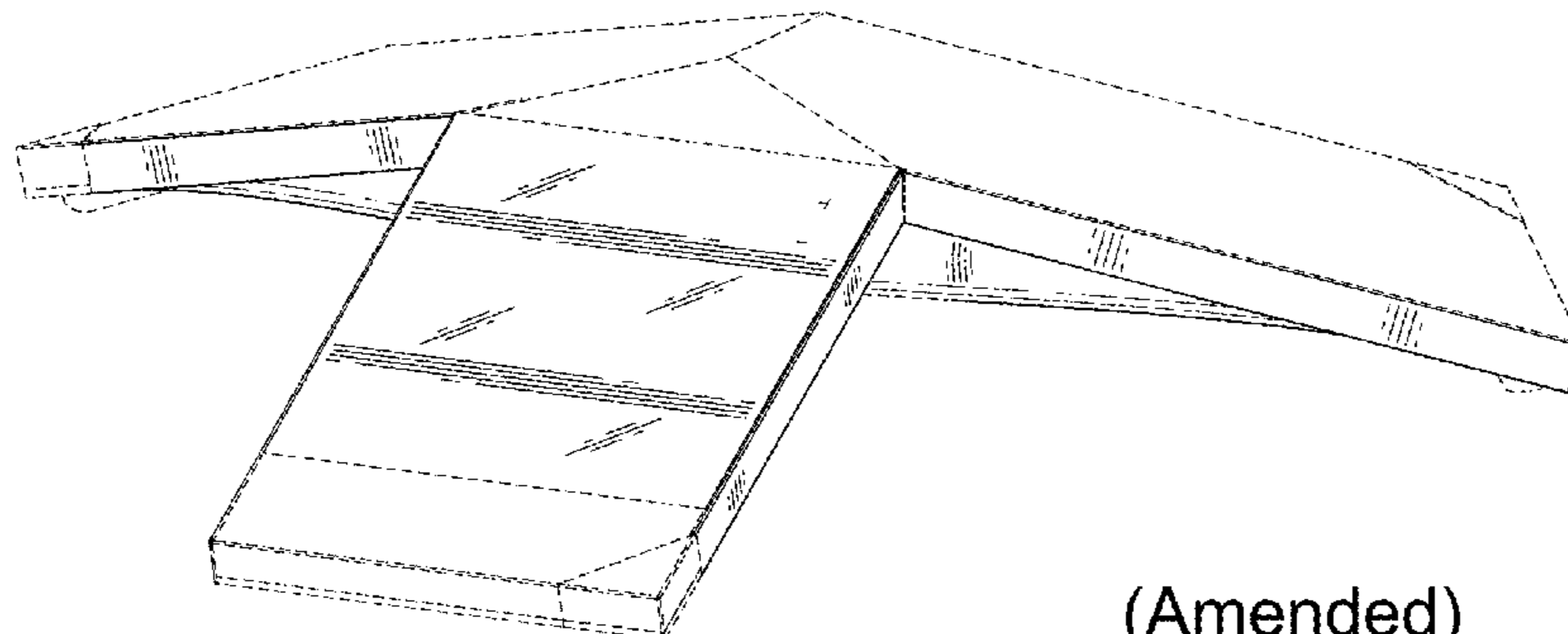
FIG. 12 is a right side elevational view thereof;

FIG. 13 is a top plan view thereof; and,

FIG. 14 is a bottom plan view thereof.

The broken lines showing in FIGS. [1-5 and 7] 1-14 are for illustrative purposes only and form no part of the claimed design.

(Continued)



(Amended)

The grid of circular apertures schematically depicted in FIGS. [1-6] 8-9 and 13 is continuous throughout the surfaces on which the apertures are shown.

1 Claim, 8 Drawing Sheets

Matter enclosed in heavy brackets [] appears in the original patent but forms no part of this reissue; matter printed in italics indicates the additions made by reissue.

(58) Field of Classification Search

CPC . H04M 3/42; H04M 1/20; H04M 1/22; H04R 1/02; H04R 3/00; H04R 1/28
See application file for complete search history.

(56) References Cited

U.S. PATENT DOCUMENTS

D292,090	S	*	9/1987	Shintomi	D14/141.1
D292,283	S	*	10/1987	Matsuda	D14/212
D303,522	S	*	9/1989	Meda	D14/142
4,875,234	A	*	10/1989	Tragatschnig	H04M 1/02 379/368
D308,701	S		6/1990	Kojima		
D309,161	S		7/1990	Leung		
D311,541	S		10/1990	Carre		
D327,479	S		6/1992	Britz		
D332,948	S	*	2/1993	Barr	D14/392
D342,732	S		12/1993	Hinman et al.		
D368,721	S		4/1996	Howell et al.		
D375,090	S		10/1996	Lambert et al.		
D382,265	S		8/1997	Wakefield		
D382,266	S		8/1997	Wakefield		
D396,716	S		8/1998	Matsuda et al.		
D403,328	S	*	12/1998	Wakefield	D14/229
D406,841	S		3/1999	Myung		
D411,995	S		7/1999	Chen		
6,016,346	A		1/2000	Rittmueller et al.		
D419,997	S		2/2000	Montalbo et al.		
D421,606	S		3/2000	Montalbo et al.		
D431,236	S		9/2000	Read et al.		
D434,747	S		12/2000	Bird et al.		

D439,538	S		3/2001	Lynch		
D444,777	S		7/2001	Bird et al.		
D448,754	S		10/2001	Chang		
D449,285	S		10/2001	Wakefield et al.		
D449,286	S		10/2001	Wakefield et al.		
D457,150	S		5/2002	Chen		
D461,179	S		8/2002	Christianson		
D463,410	S		9/2002	Strand et al.		
D473,546	S		4/2003	Hovanky et al.		
D474,169	S		5/2003	Fletcher		
D478,560	S		8/2003	Misrahi et al.		
D480,059	S		9/2003	Misrahi et al.		
D481,371	S		10/2003	Chen		
D488,794	S		4/2004	Chen		
D489,358	S	*	5/2004	Chen	D14/215
D491,909	S		6/2004	Sun		
D499,392	S		12/2004	Bathurst et al.		
D536,327	S		2/2007	Lukic et al.		
D556,179	S		11/2007	Chang		
D557,675	S		12/2007	Diebel et al.		
D557,676	S		12/2007	Suzuki et al.		
D566,682	S		4/2008	Marash		
D571,776	S	*	6/2008	Duys	D14/150
D576,156	S		9/2008	Wilson et al.		
D579,911	S	*	11/2008	Wei	D14/155
7,480,502	B2	*	1/2009	Biddulph	H01Q 1/38 343/833
D586,743	S	*	2/2009	Guccione	D13/107
D594,438	S		6/2009	Wada		
D620,916	S	*	8/2010	Wada	D14/149
D635,955	S	*	4/2011	Corrigan	D14/149
D674,338	S		1/2013	Au Yeung		
D674,374	S		1/2013	Roberts		
D714,258	S	*	9/2014	Montague	D14/221
2003/0053620	A1		3/2003	Chen		
2009/0268899	A1	*	10/2009	Tokuda	H04M 1/6033 379/420.02

OTHER PUBLICATIONS

Polycom VoiceStation 300, <URL: www.101Phones.com>, retrieved from Internet Jan. 31, 2008.
Polycom SoundStation2, <URL: www.101Phones.com>, retrieved from internet Jan. 31, 2008.

* cited by examiner

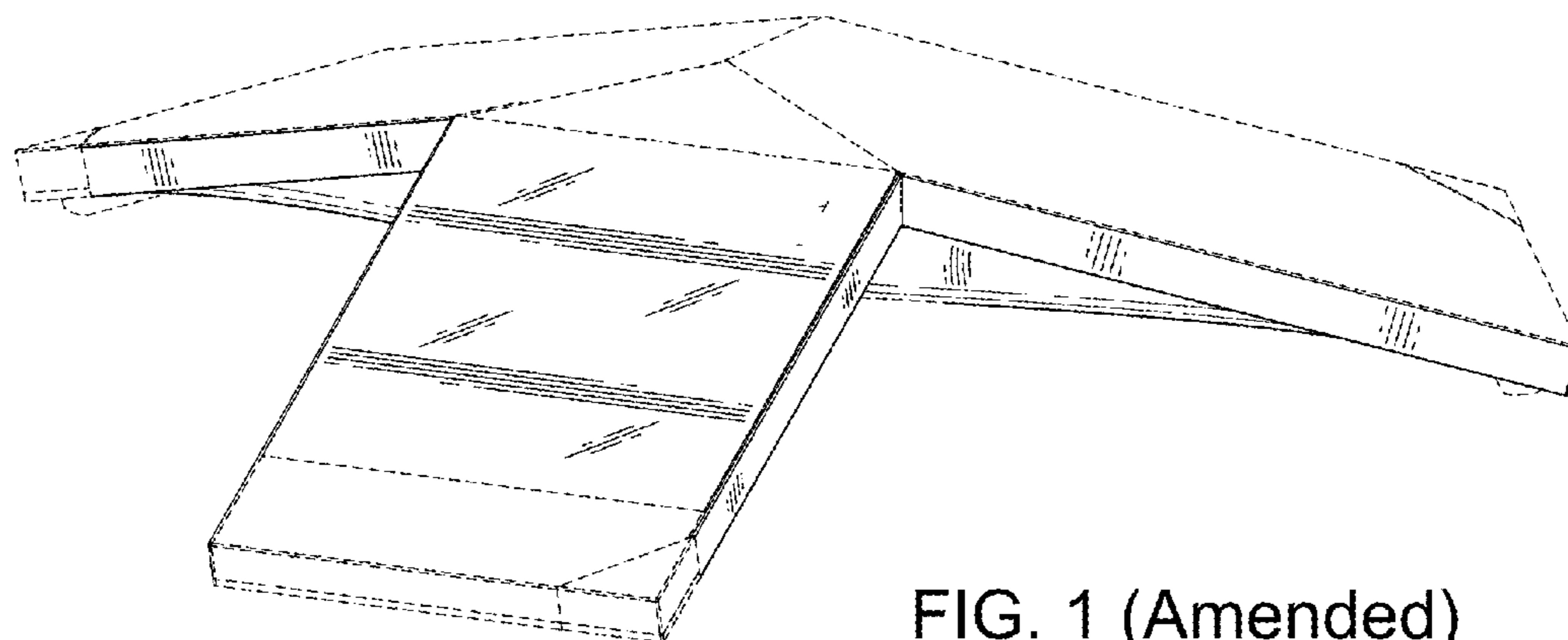


FIG. 1 (Amended)

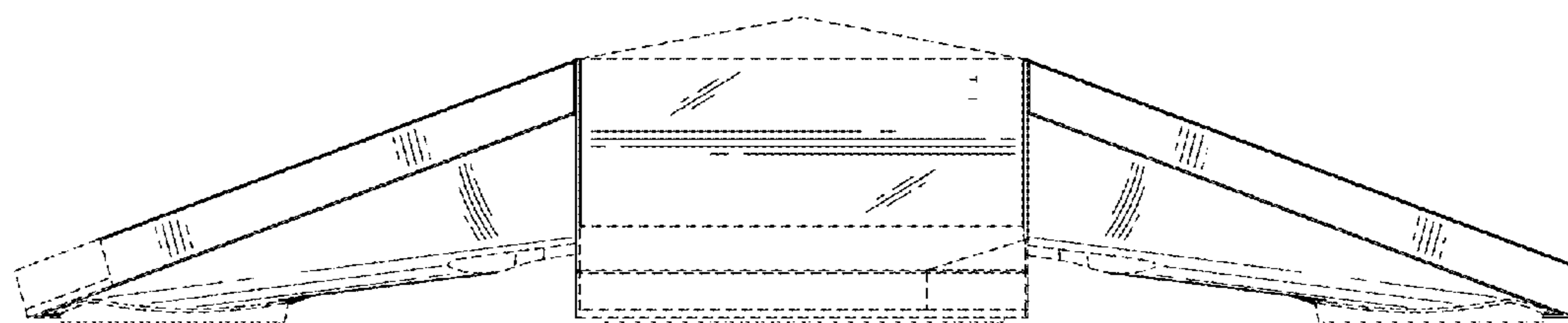


FIG. 2 (Amended)

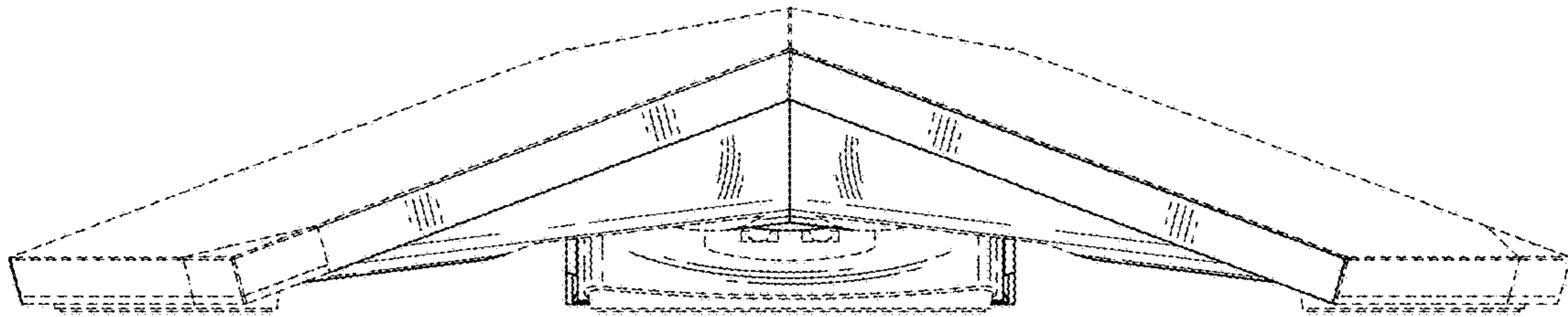


FIG. 3 (Amended)

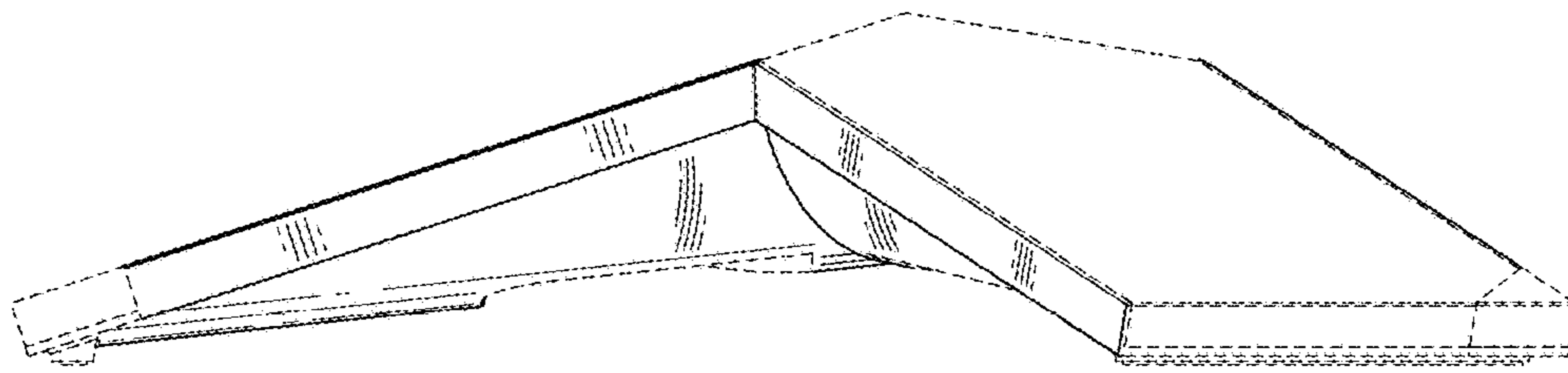


FIG. 4 (Amended)

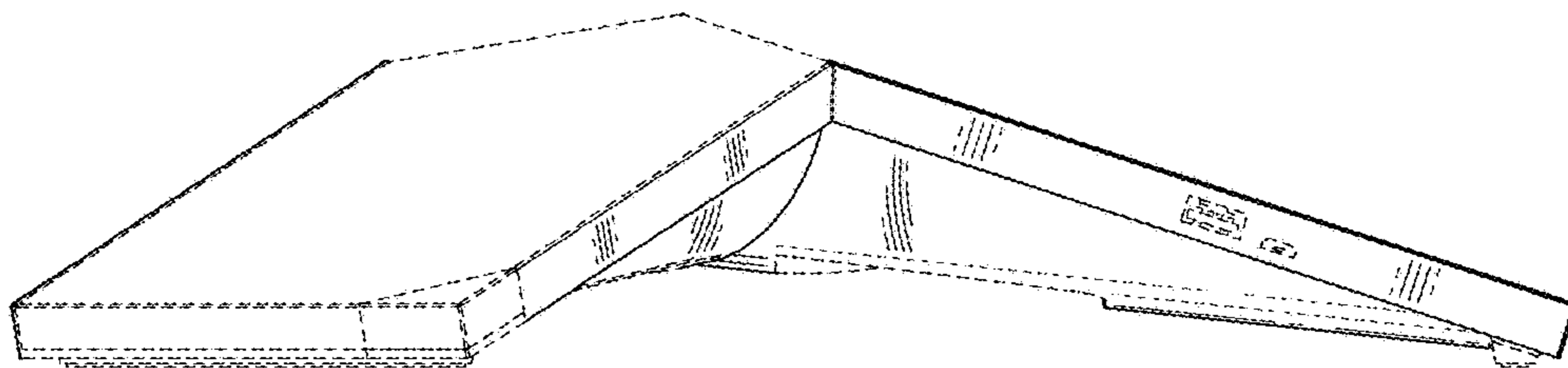


FIG. 5 (Amended)

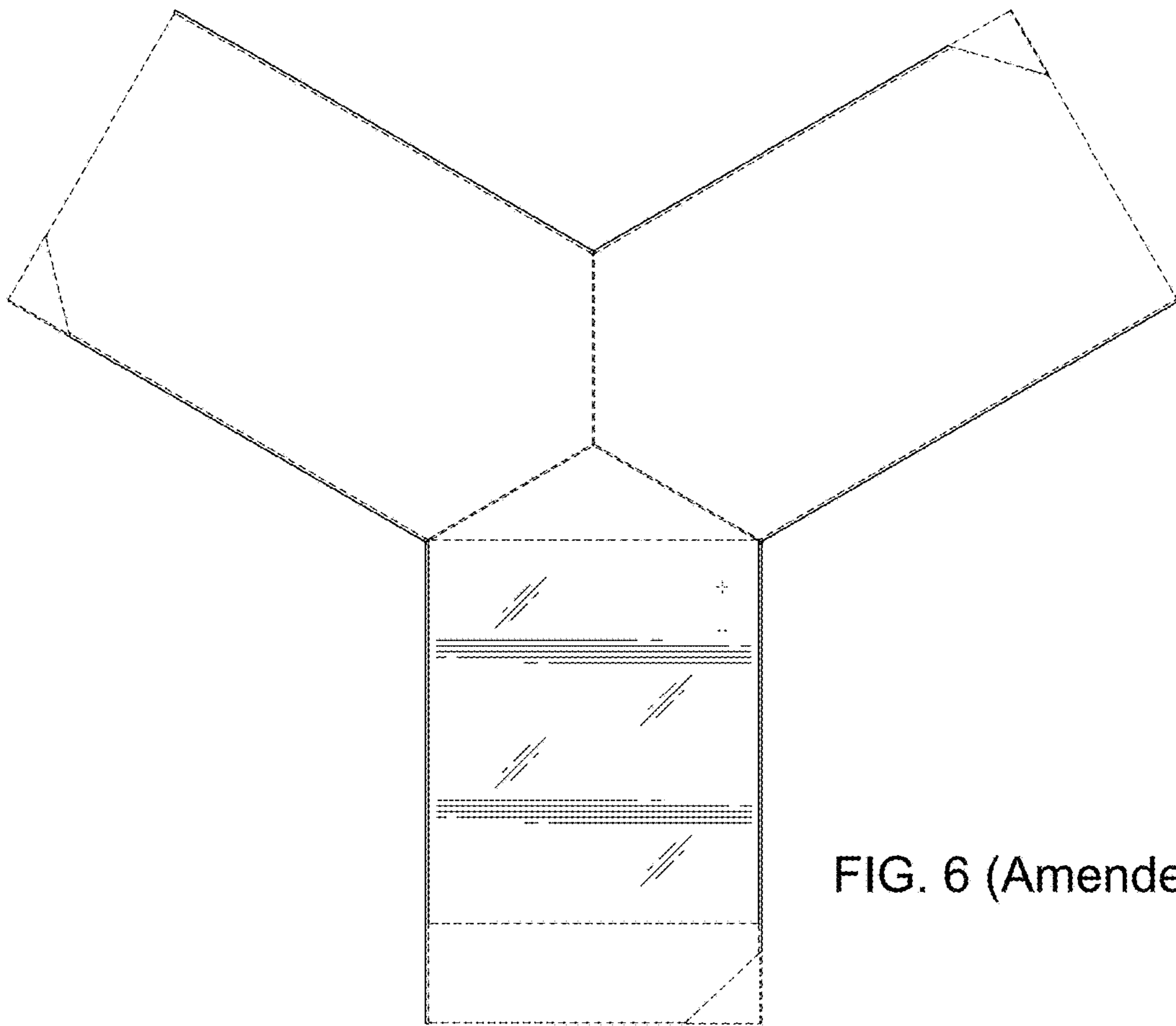


FIG. 6 (Amended)

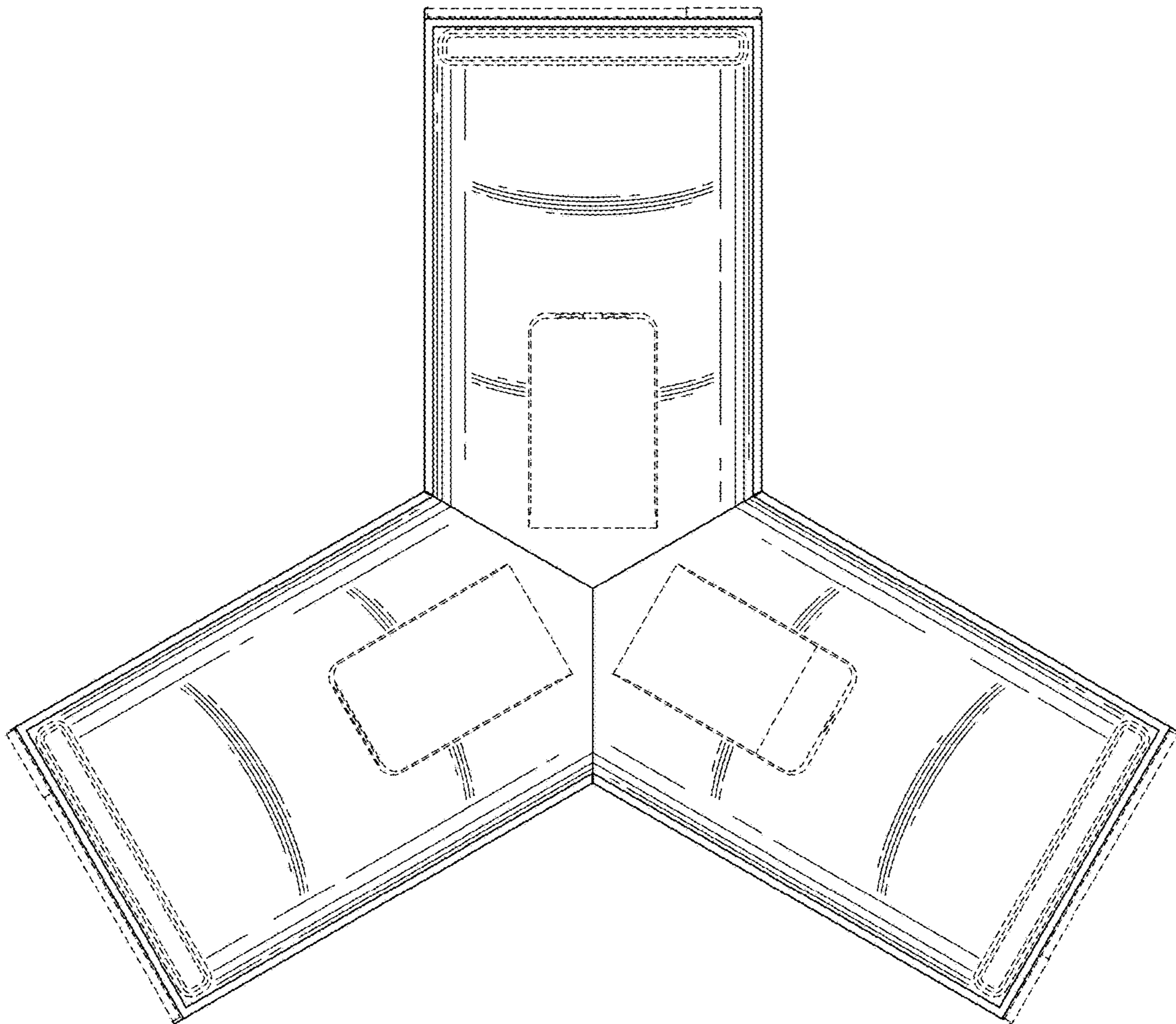
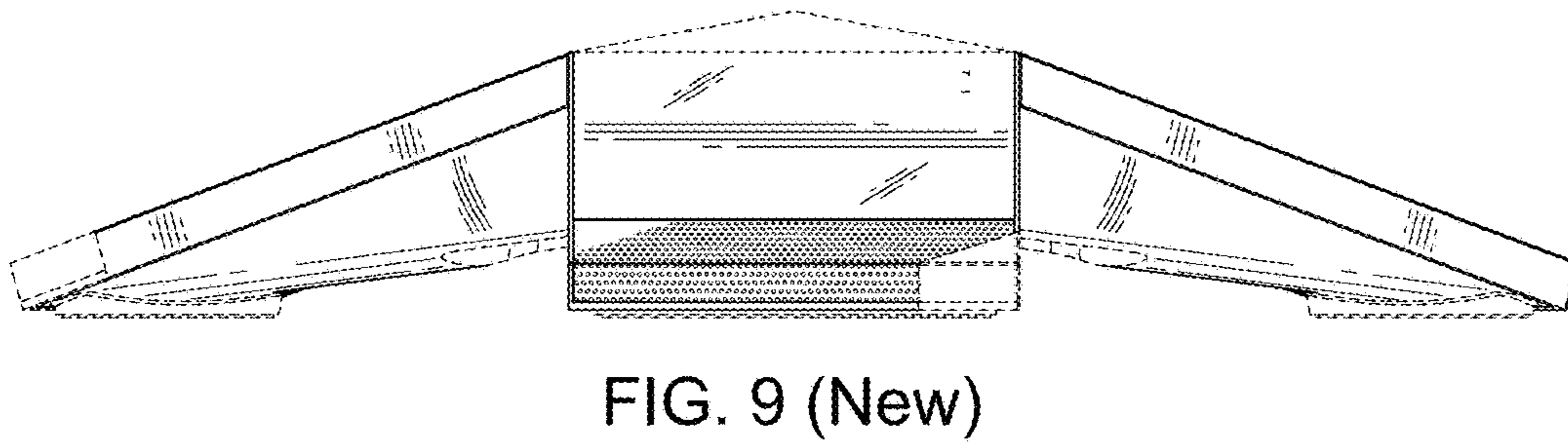
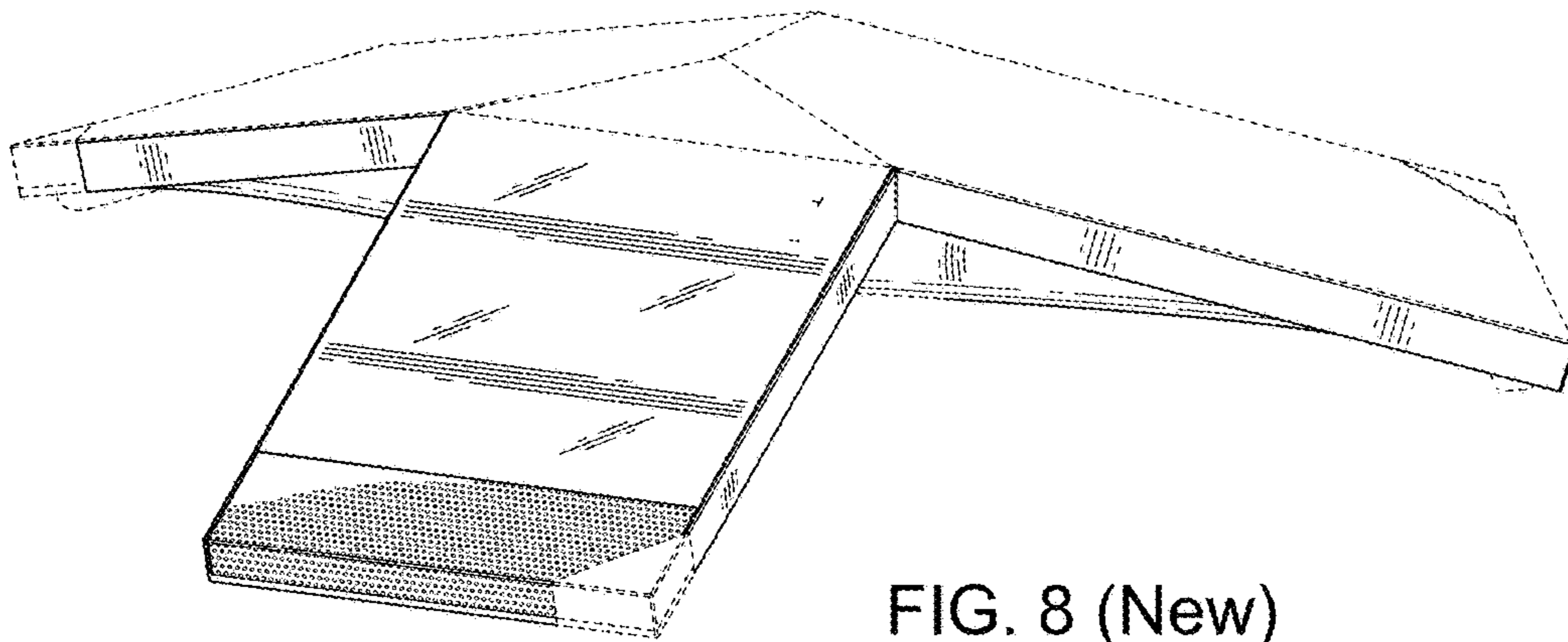


FIG. 7 (Amended)



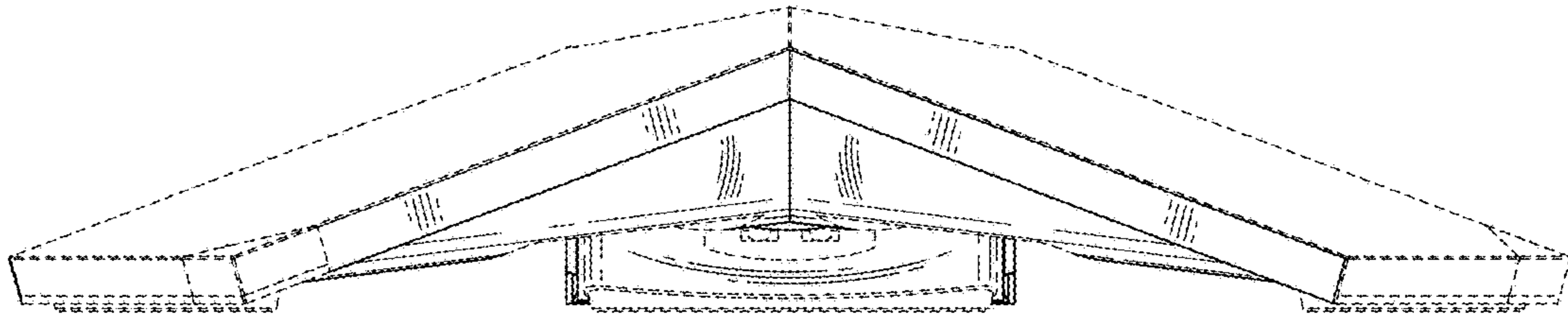


FIG. 10 (New)

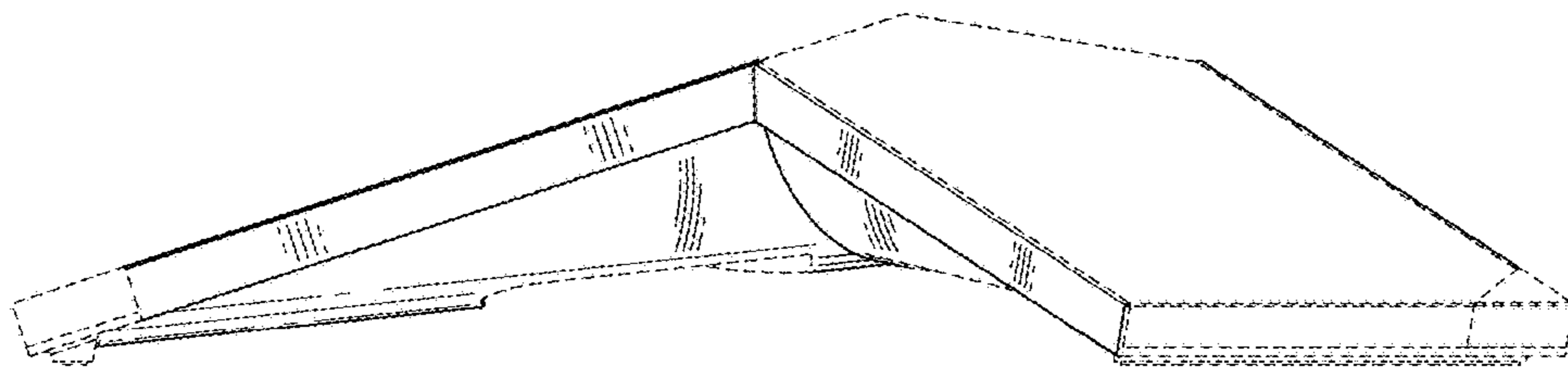


FIG. 11 (New)

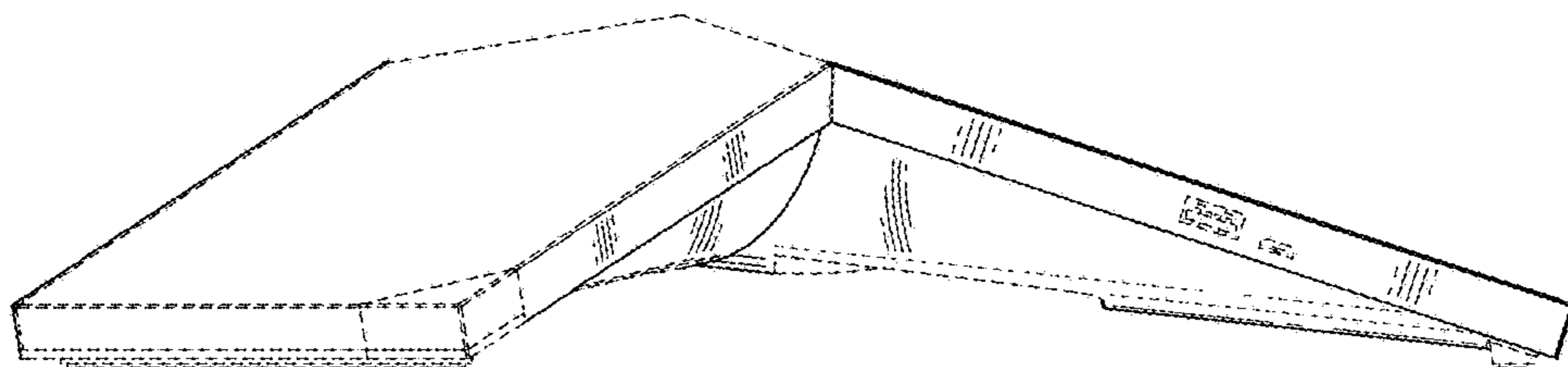


FIG. 12 (New)

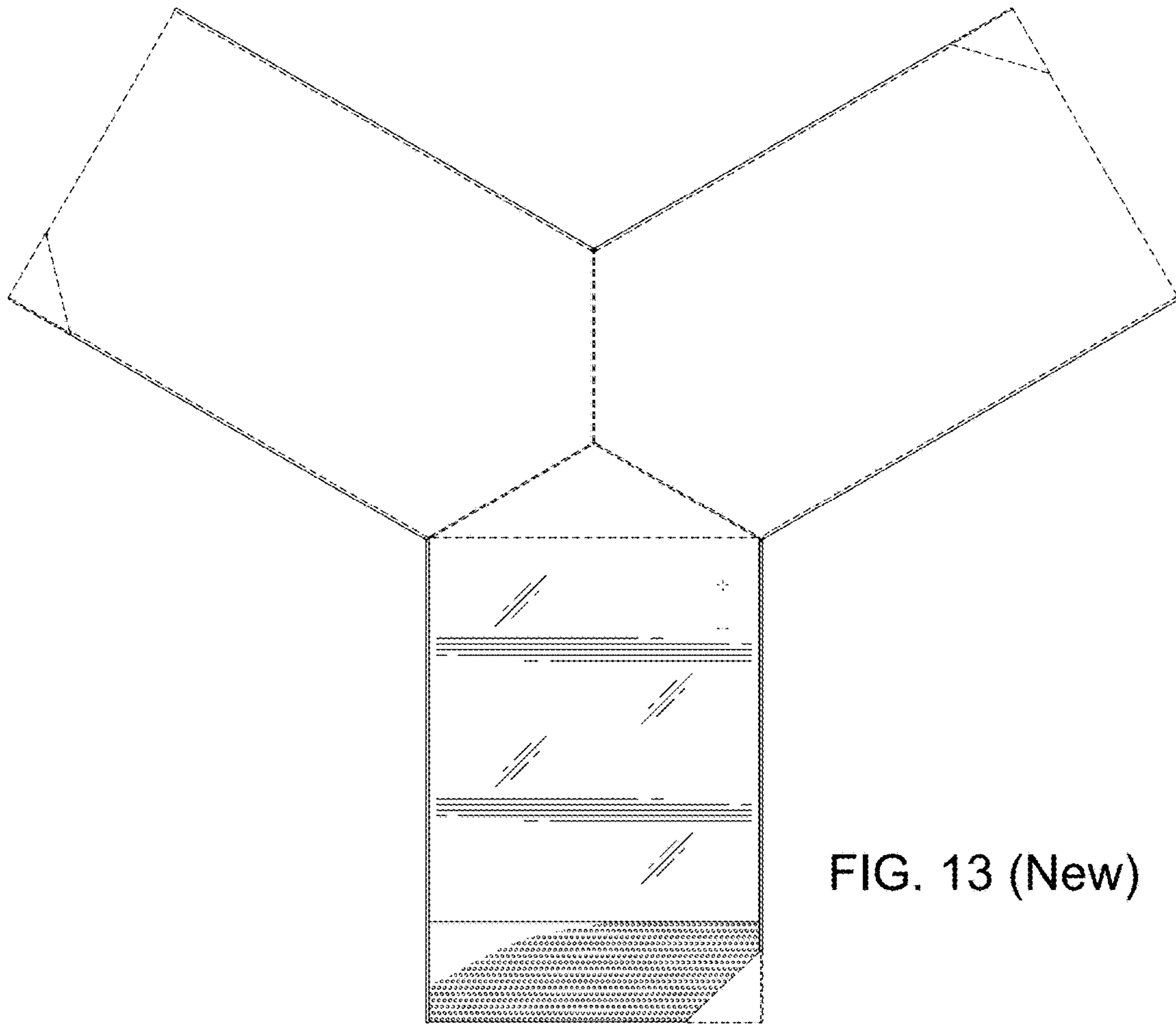


FIG. 13 (New)

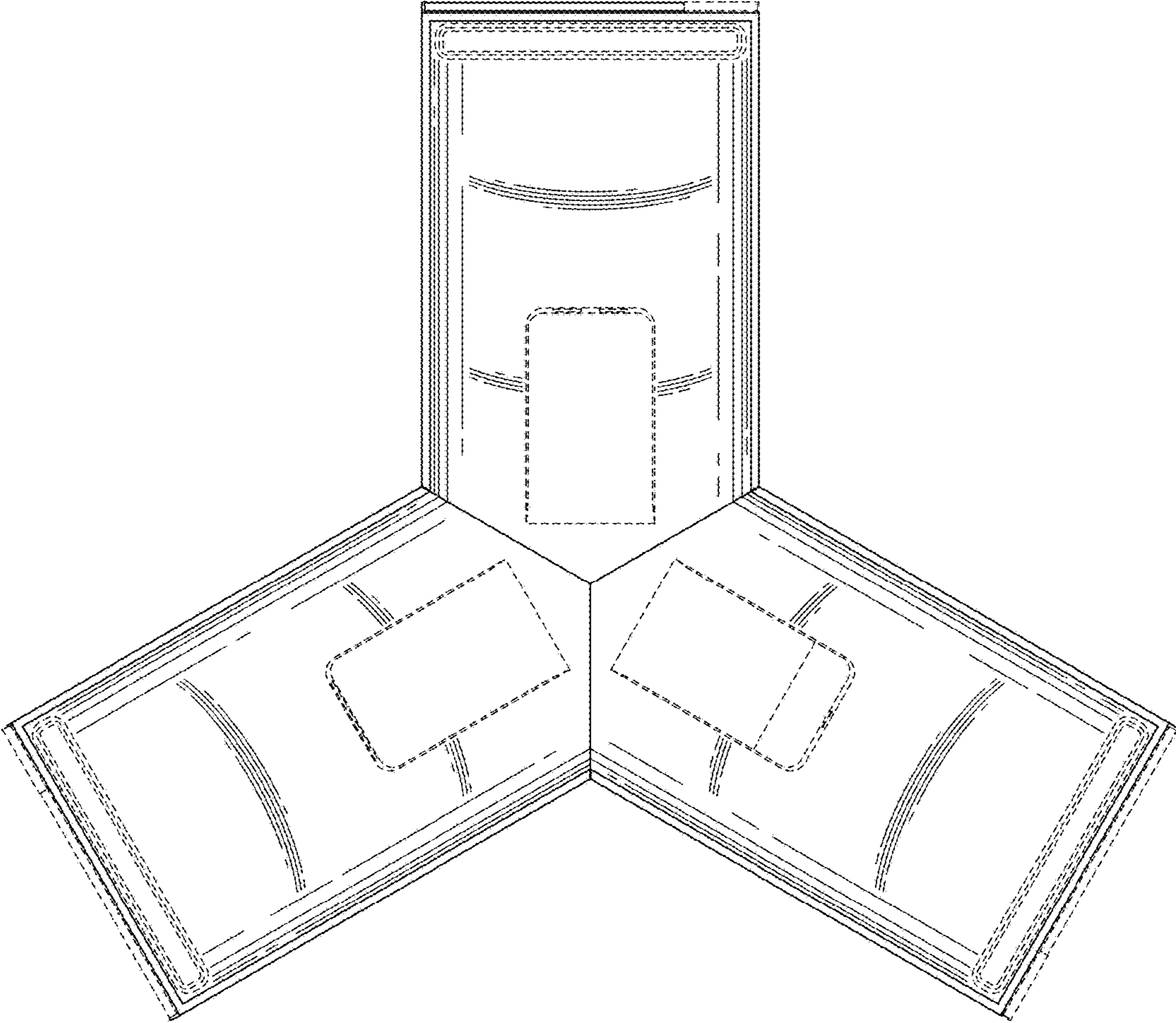


FIG. 14 (New)

UNITED STATES PATENT AND TRADEMARK OFFICE
CERTIFICATE OF CORRECTION

PATENT NO. : RE46,940 E
APPLICATION NO. : 29/620772
DATED : July 10, 2018
INVENTOR(S) : Tompkin et al.

Page 1 of 1

It is certified that error appears in the above-identified patent and that said Letters Patent is hereby corrected as shown below:

In the Specification

The second column, under the heading "DESCRIPTION," please replace the first three lines (i.e., "This application is an application for reissue of U.S. Design Pat. No. D760,201 which issued on Jun. 18, 2016, from U.S. Design application Ser. No. 29/518, 227, filed Feb. 20, 2015,"), with the following:

--NOTICE: More than one reissue application has been filed for the reissue of U.S. Patent No. D760,201 S. The reissue applications are U.S. Reissue Patent Application Serial No. 29/679,618, filed on February 7, 2019, now U.S. Reissue Patent No. RE48,092 E, issued July 14, 2020, which is a divisional reissue application of U.S. Reissue Patent Application Serial No. 29/638,676, filed on February 28, 2018, now U.S. Reissue Patent No. RE47,282 E, issued March 12, 2019, which is a divisional reissue application of U.S. Reissue Patent Application Serial No. 29/620,772 (the present application), filed on May 31, 2017, now U.S. Reissue Patent No. RE46,940 E, issued July 10, 2018, which is a reissue application of U.S. Design Patent Application Serial No. 29/518,227, filed on February 20, 2015, now U.S. Design Patent No. D760,201 S, issued June 28, 2016,--

Signed and Sealed this
Twenty-third Day of March, 2021



Drew Hirshfeld
Performing the Functions and Duties of the
Under Secretary of Commerce for Intellectual Property and
Director of the United States Patent and Trademark Office