



US00RE46894E

(19) **United States**
(12) **Reissued Patent**
Laitta et al.

(10) **Patent Number: US RE46,894 E**
(45) **Date of Reissued Patent: Jun. 19, 2018**

(54) **HANDRAIL**

(71) Applicant: **S.R. Smith, LLC**, Canby, OR (US)

(72) Inventors: **Richard P. Laitta**, Lake Oswego, OR (US); **Darrin Johnson**, Portland, TN (US)

(73) Assignee: **S.R. Smith, LLC**, Canby, OR (US)

(21) Appl. No.: **29/607,131**

(22) Filed: **Jun. 9, 2017**

Related U.S. Patent Documents

Reissue of:

(64) Patent No.: **Des. 706,448**
Issued: **Jun. 3, 2014**
Appl. No.: **29/443,445**
Filed: **Jan. 17, 2013**

U.S. Applications:

(62) Division of application No. 29/566,813, filed on Jun. 2, 2016, which is an application for the reissue of Pat. No. Des. 706,448.

(51) **LOC (11) Cl.** **25-02**

(52) **U.S. Cl.**
USPC **D25/41.1**

(58) **Field of Classification Search**
USPC D25/38.1, 41.1; D8/303, 306, 307, 310, D8/311, 313-317; D23/304
(Continued)

(56) **References Cited**

U.S. PATENT DOCUMENTS

D194,835 S * 3/1963 Prizler et al. D12/414
4,077,173 A * 3/1978 Rozanski 52/169.8
(Continued)

OTHER PUBLICATIONS

Stallion Stainless Handrails (Australia): photo of stainless steel handrail, <http://www.stallionstainless.com.au/gallery-2014-2/stainless-steel-handrails> visited May 16, 2016.

(Continued)

Primary Examiner — Darlington Ly

(74) Attorney, Agent, or Firm — Stoel Rives LLP

(57) **CLAIM**

We claim the ornamental design for a handrail, as shown and described.

DESCRIPTION

[FIG. 1 is a perspective view of a handrail.]

[FIG. 2 is a front elevation view of the handrail of FIG. 1. The opposing rear elevation view is a mirror image of the illustrated view.]

[FIG. 3 is a top plan view of the handrail of FIG. 1.]

[FIG. 4 is a bottom plan view of the handrail of FIG. 1.]

[FIG. 5 is a left side elevation view of the handrail of FIG. 1; and,]

[FIG. 6 is a right side elevation view of the handrail of FIG. 1.]

FIG. 7 is a perspective view of an alternate handrail.

FIG. 8 is a front elevation view of the handrail of FIG. 7. The opposing rear elevation view is a mirror image of the illustrated view.

FIG. 9 is a top plan view of the handrail of FIG. 7.

FIG. 10 is a bottom plan view of the handrail of FIG. 7.

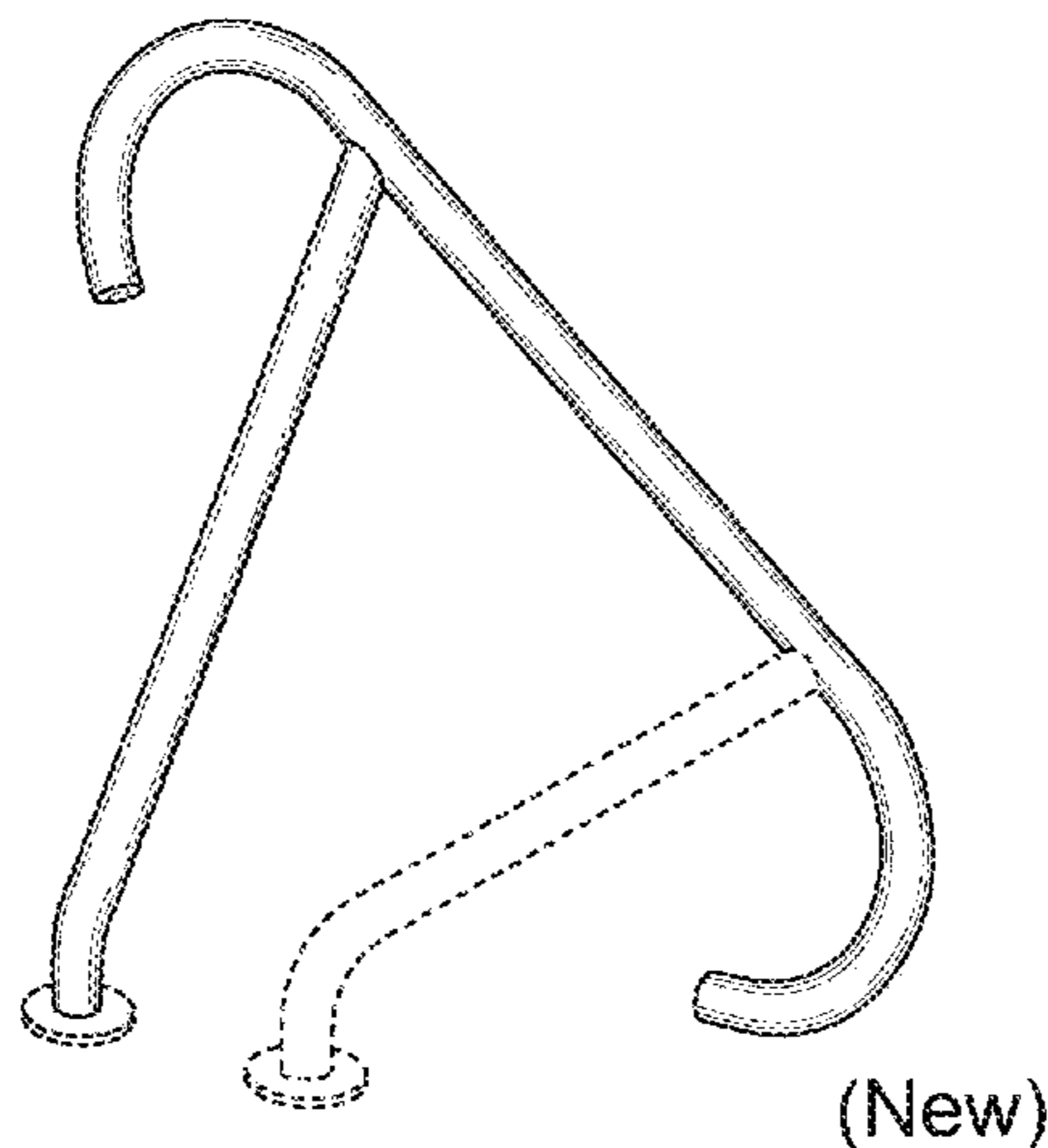
FIG. 11 is a left side elevation view of the handrail of FIG. 7; and,

FIG. 12 is a right side elevation view of the handrail of FIG. 7.

[In FIG. 4, the portion of the bottom view bounded by the broken lines is for illustrative purposes only and forms] *The broken lines in the drawings illustrate portions of the handrail that form no part of the claimed design.*

1 Claim, 2 Drawing Sheets

Matter enclosed in heavy brackets [] appears in the original patent but forms no part of this reissue; matter printed in italics indicates the additions made by reissue.



(58) **Field of Classification Search**

CPC A47K 3/003; A47K 3/001; A47K 3/12;
 A47K 3/125; A47K 3/281; A47K 17/022;
 A47K 17/02; A47K 17/024; A47K
 2201/02; A61G 7/1003; A61G 7/1005;
 E04G 5/14; E04G 5/147; E04G 3/30;
 E04H 4/144; E04H 4/1227; E06C 7/181;
 E06C 7/182; Y10T 16/498; Y10T 16/502;
 Y10T 16/513; Y10T 16/516; Y10T
 16/469; Y10T 16/476; Y10T 16/459;
 Y10T 16/4644; Y10T 16/4652; Y10T
 16/466; Y10T 403/4625

See application file for complete search history.

(56) **References Cited**

U.S. PATENT DOCUMENTS

4,887,323 A * 12/1989 DiVito et al. 4/577.1
 5,727,264 A * 3/1998 Craig et al. E04H 4/0037
 4/489
 D409,311 S * 5/1999 Victor et al. D25/41.1
 6,185,875 B1 * 2/2001 Victor et al. 52/9
 6,601,245 B2 * 8/2003 Weiss E04H 4/144
 182/106
 D589,629 S * 3/2009 French D25/41.1
 D608,018 S * 1/2010 Stimpson et al. D25/41.1

D706,449 S * 6/2014 Laitta D25/41.1
 D706,450 S * 6/2014 Laitta D25/41.1
 D706,451 S * 6/2014 Laitta D25/41.1
 D706,452 S * 6/2014 Laitta D25/41.1
 D733,925 S * 7/2015 Collier D25/41.1
 D735,091 S * 7/2015 Slaughenhaupt D12/115
 D756,531 S * 5/2016 Hagerty D25/41.1
 2001/0006231 A1 * 7/2001 McCracken 256/59

OTHER PUBLICATIONS

Metalcraft Engineering Co., Ltd (New Zealand): photo of stairway handrail, http://www.theglassrackingcompany.com/architectural_metalwork/external_balustrades visited May 16, 2016.

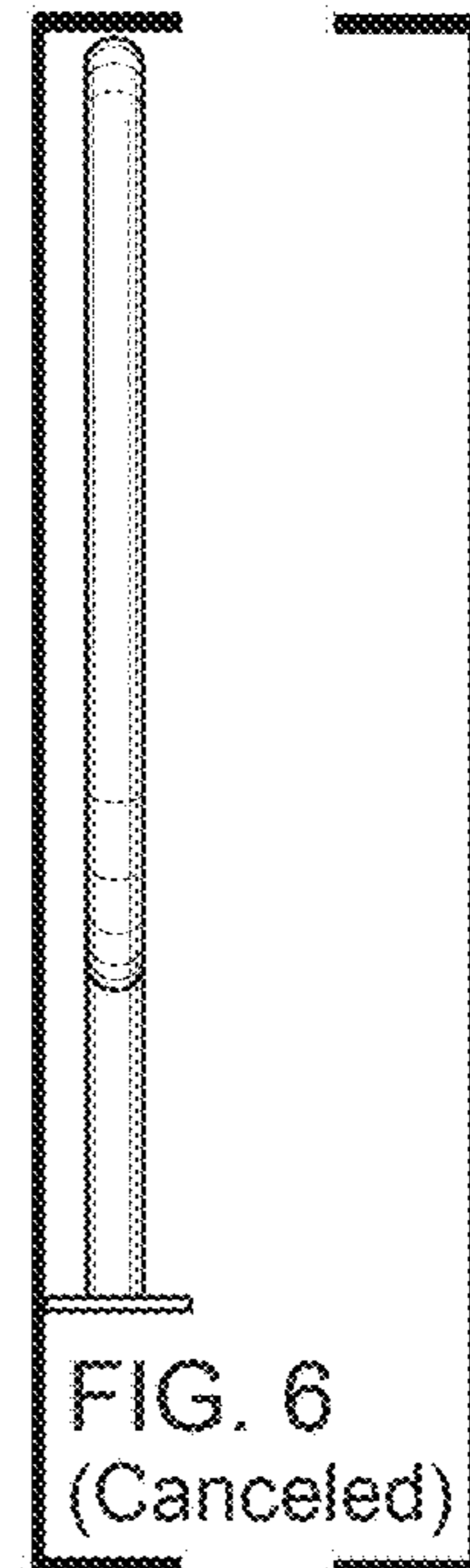
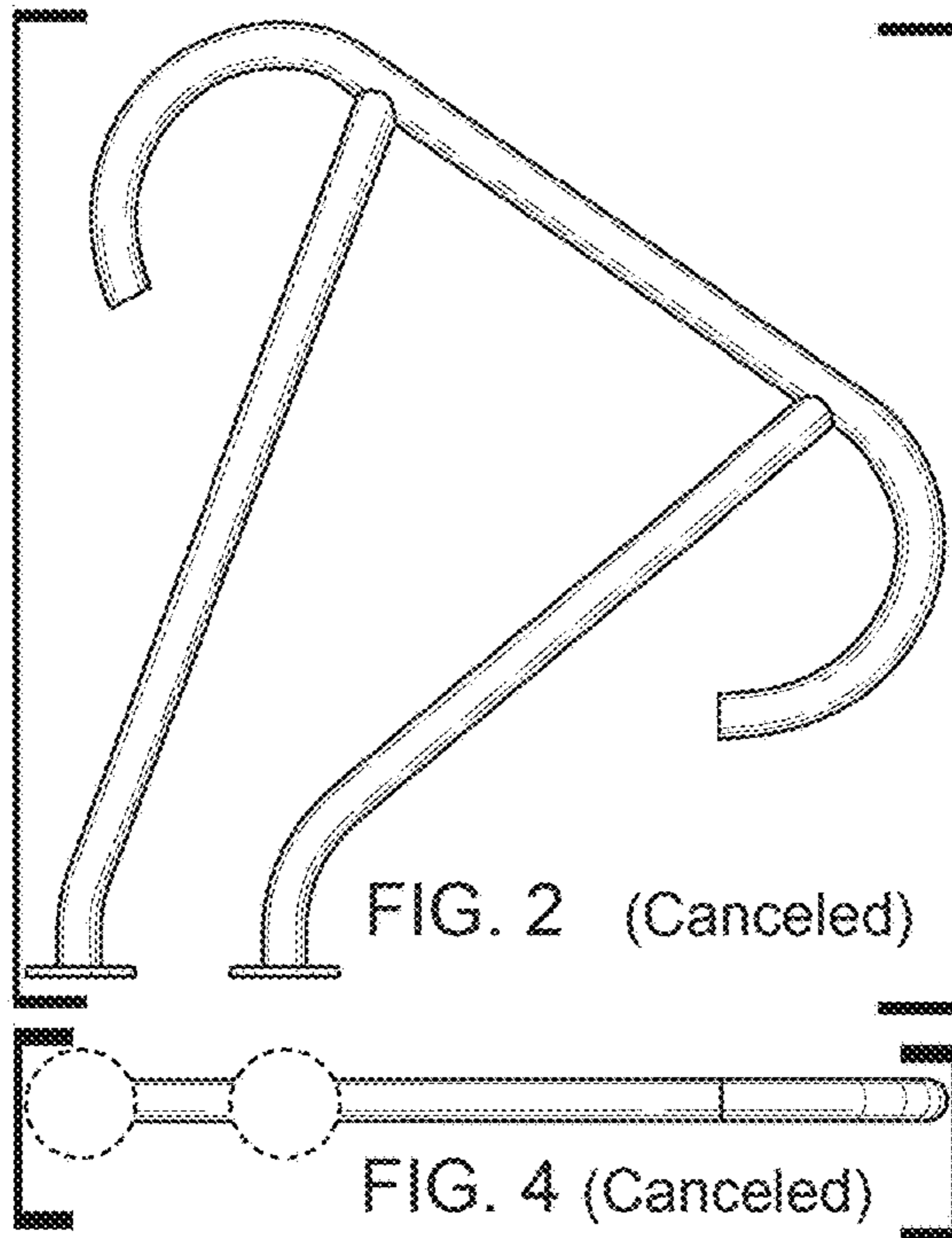
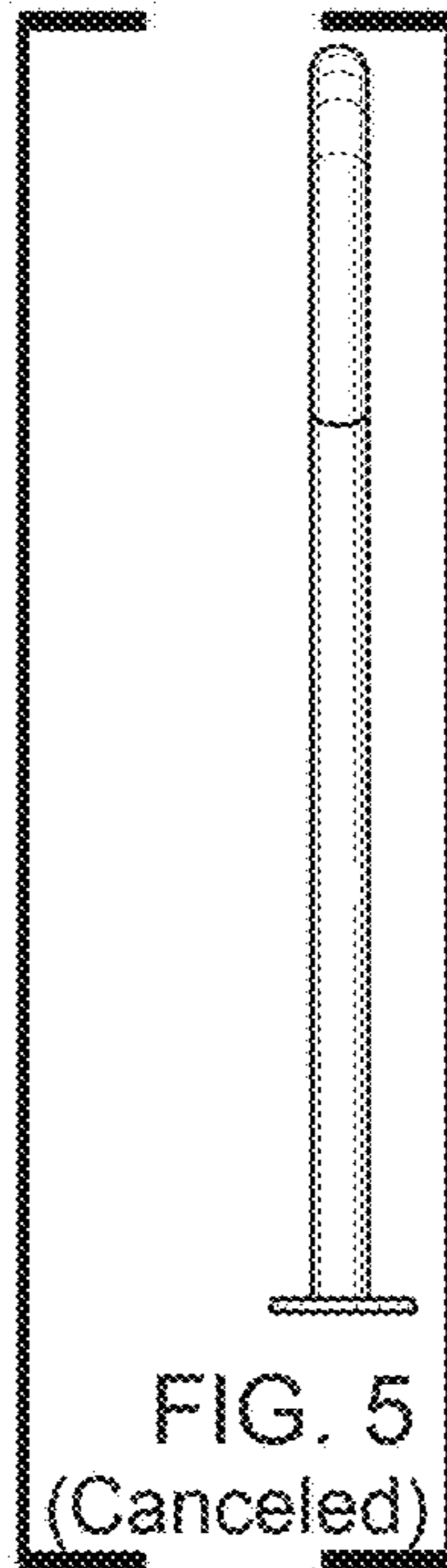
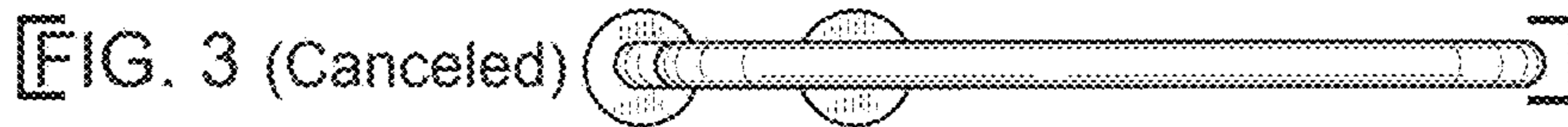
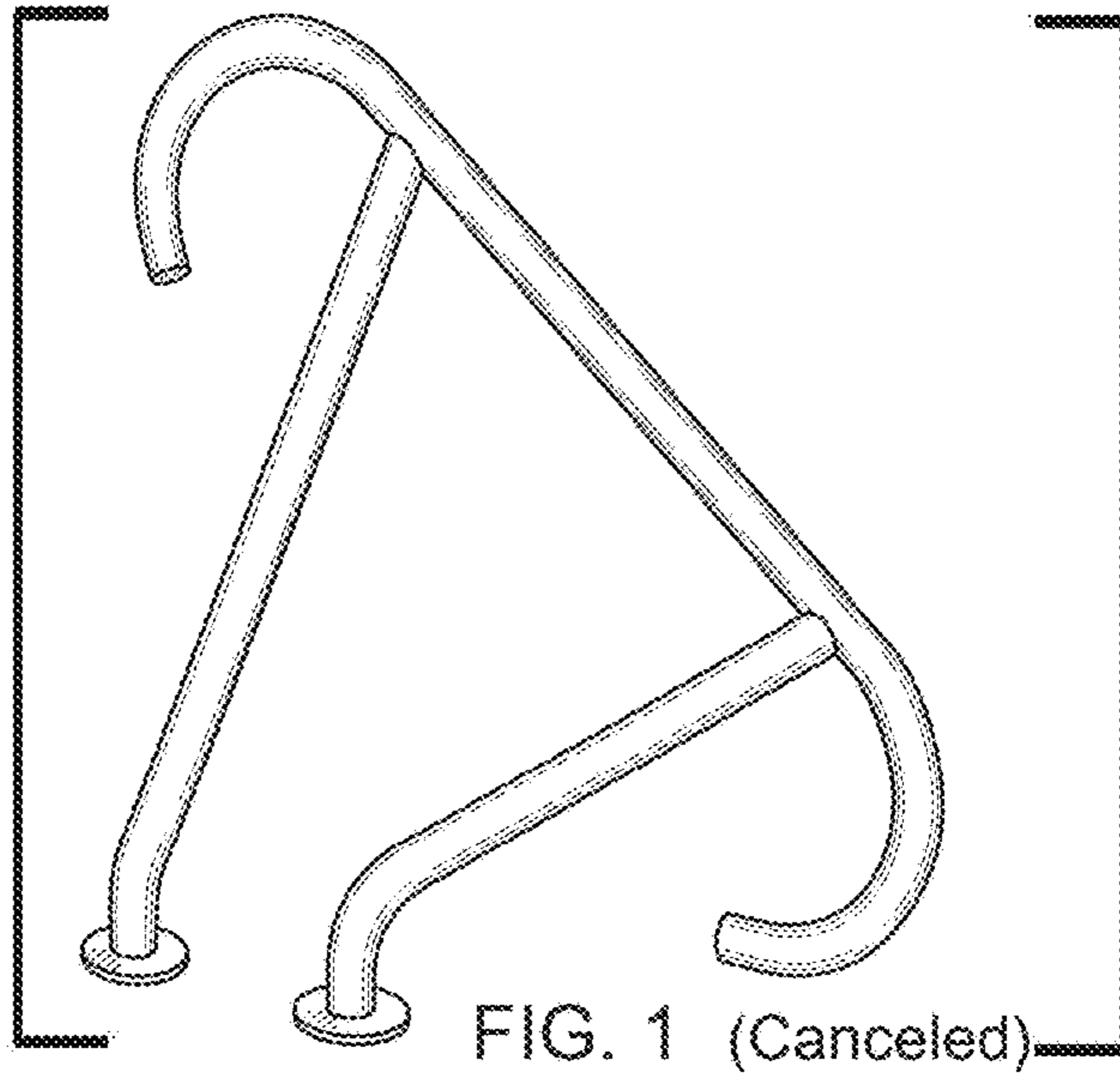
AJD Bespoke Stairs (Ireland): photo of stairway handrail, <http://ajdstairs.com/stairs/view/curved-concrete-stairs-2>, visited May 16, 2016.

Hercules Custom Iron (Walkersville, MD): photo of metal handrail, http://www.herculescustomiron.com/img/gallery/steel_aluminum_railing/steel_aluminum_railing_14.jpg Visited May 16, 2016.

U.S. Appl. No. 29/566,813 titled "Handrail", filed Jun. 2, 2016 (parent to the present application).

U.S. Appl. No. 29/607,140 titled "Handrail", filed Jun. 9, 2017 (Divisional of U.S. Appl. No. 29/566,813).

* cited by examiner



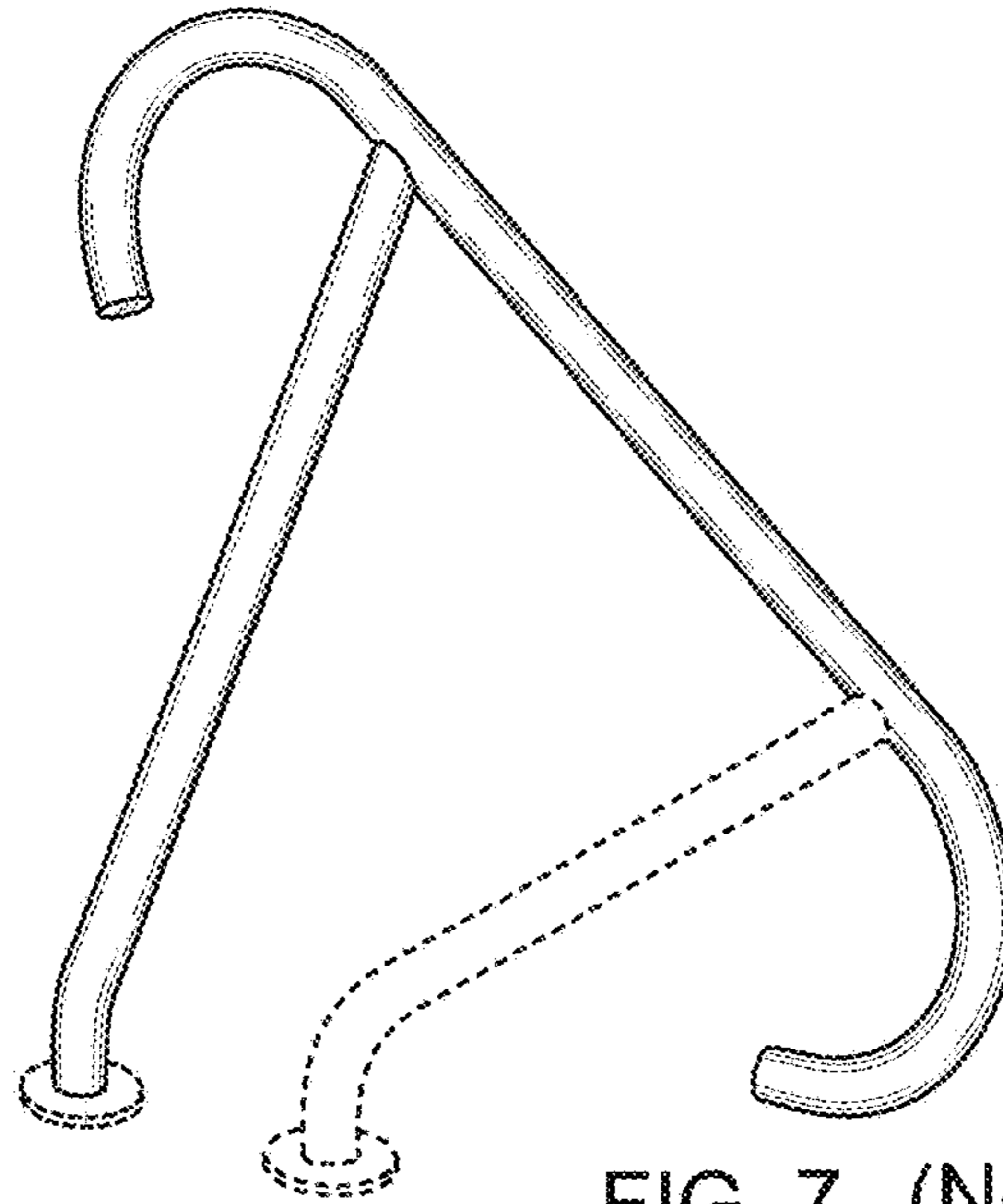


FIG. 7 (New)

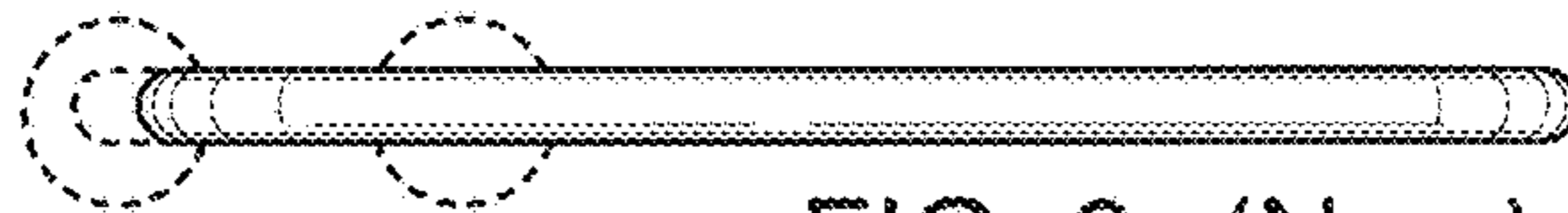


FIG. 9 (New)

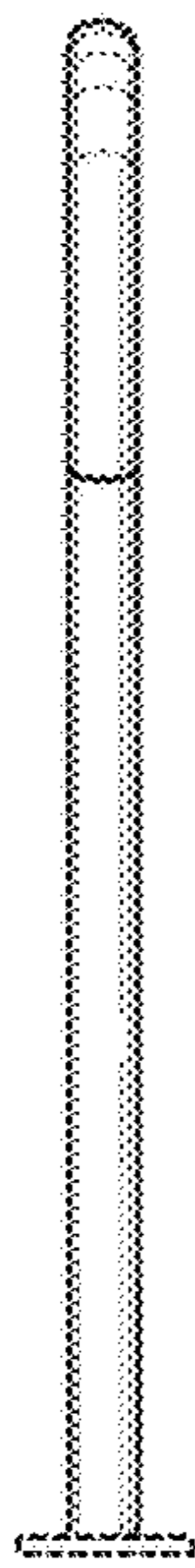


FIG. 11 (New)

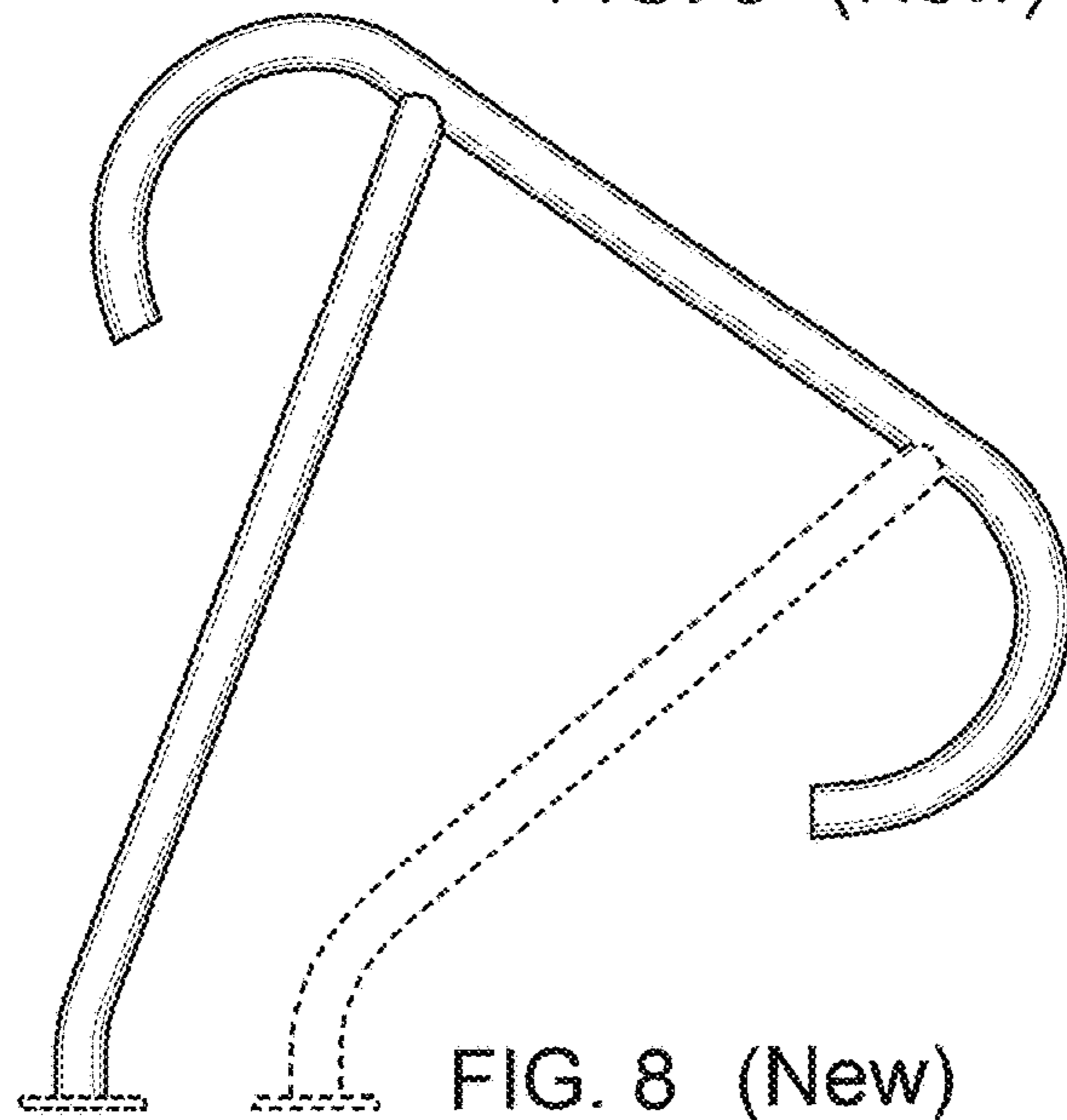


FIG. 8 (New)



FIG. 10 (New)

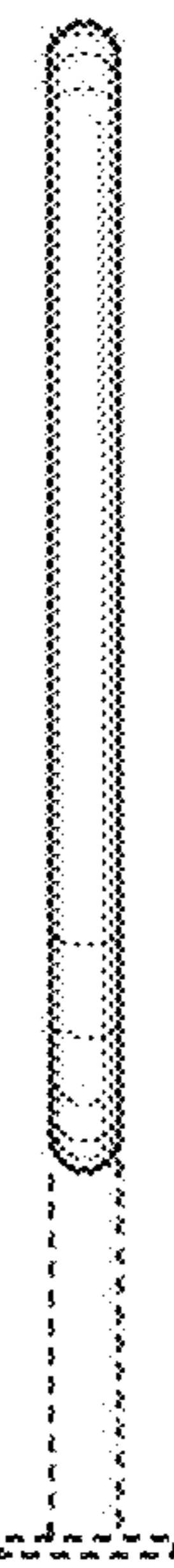


FIG. 12 (New)

UNITED STATES PATENT AND TRADEMARK OFFICE
CERTIFICATE OF CORRECTION

PATENT NO. : RE46,894 E
APPLICATION NO. : 29/607131
DATED : June 19, 2018
INVENTOR(S) : Laitta et al.

Page 1 of 1

It is certified that error appears in the above-identified patent and that said Letters Patent is hereby corrected as shown below:

On the Title Page

In the right-hand column, immediately under the heading "DESCRIPTION," insert the following:

--NOTICE: *More than one reissue application has been filed for the reissue of U.S. Design Patent No. D706,448 S. The reissue applications are U.S. Reissue Patent Application Serial Nos. 29/607,140 and 29/607,131 (the present application), each filed on June 9, 2017, now U.S. Reissue Patent Nos. RE46,895 E and RE46,894 E, respectively, each issued June 19, 2018, each of which is a divisional reissue application of U.S. Reissue Patent Application Serial No. 29/566,813, filed on June 2, 2016, now U.S. Reissue Patent No. RE47,041 E, issued September 18, 2018, which is a reissue application of U.S. Design Patent Application Serial No. 29/443,445, filed on January 17, 2013, now U.S. Design Patent No. D706,448 S, issued June 3, 2014.--*

Signed and Sealed this
Twenty-third Day of March, 2021



Drew Hirshfeld
*Performing the Functions and Duties of the
Under Secretary of Commerce for Intellectual Property and
Director of the United States Patent and Trademark Office*