



US00RE46892E

(19) **United States**
(12) **Reissued Patent**
Bigney et al.

(10) **Patent Number: US RE46,892 E**
(45) **Date of Reissued Patent: Jun. 19, 2018**

(54) **POUCH FOR MEN'S GARMENT**
(71) Applicant: **0912139 B.C. LTD.**, North Vancouver (CA)
(72) Inventors: **Dustin Douglas Bigney**, West Vancouver (CA); **Shawn Robert Ellis**, Kelowna (CA)
(73) Assignee: **0912139 B.C. LTD.**, North Vancouver (CA)

1,020,588 A * 3/1912 West A61F 5/40
602/70
1,592,732 A * 7/1926 Friedman A61F 5/40
2/404
1,688,910 A * 10/1928 Winship A41B 1/04
2/78.1

(Continued)

Primary Examiner — Darlington Ly

(74) *Attorney, Agent, or Firm* — Kilpatrick Townsend and Stockton

(21) Appl. No.: **29/577,937**

(22) Filed: **Sep. 16, 2016**

Related U.S. Patent Documents

Reissue of:

(64) Patent No.: **Des. 646,462**
Issued: **Oct. 11, 2011**
Appl. No.: **29/382,591**
Filed: **Jan. 5, 2011**

(51) **LOC (11) Cl.** **02-01**

(52) **U.S. Cl.**

USPC **D2/712; D2/738; D2/742**

(58) **Field of Classification Search**

USPC D2/700, 701, 705, 711, 712, 713, 716,
D2/731, 734, 737, 738, 742, 853;
D24/122, 124, 125, 126, 127; D29/101.5

CPC A41B 9/002; A41B 9/007; A41B 9/02;
A41B 9/023; A41B 9/026; A41B 9/00;
A61L 15/22; A61L 15/58; A61F 13/15;
A61F 13/47; A61F 13/49; A61F 13/55;
A61F 13/58; A61F 5/4401; A41C 1/00;
A41C 1/02; A41D 1/08; A41D 13/0525;
A41D 13/0537; A63B 71/12; A63B
71/1216; A63B 71/1225

See application file for complete search history.

(56) **References Cited**

U.S. PATENT DOCUMENTS

642,227 A * 1/1900 Reis A41B 9/08
2/78.2
847,779 A * 3/1907 Jarrett A61F 5/40
602/70

(57) **CLAIM**

The ornamental design for pouch for men's garment, as shown and described.

DESCRIPTION

FIG. 1 illustrates a perspective view of a pouch for men's garment.

FIG. 2 illustrates a front view thereof.

FIG. 3 illustrates a rear view thereof.

FIG. 4 illustrates a side view thereof.

FIG. 5 illustrates the opposite side view of FIG. 4.

FIG. 6 illustrates a top view thereof; and,

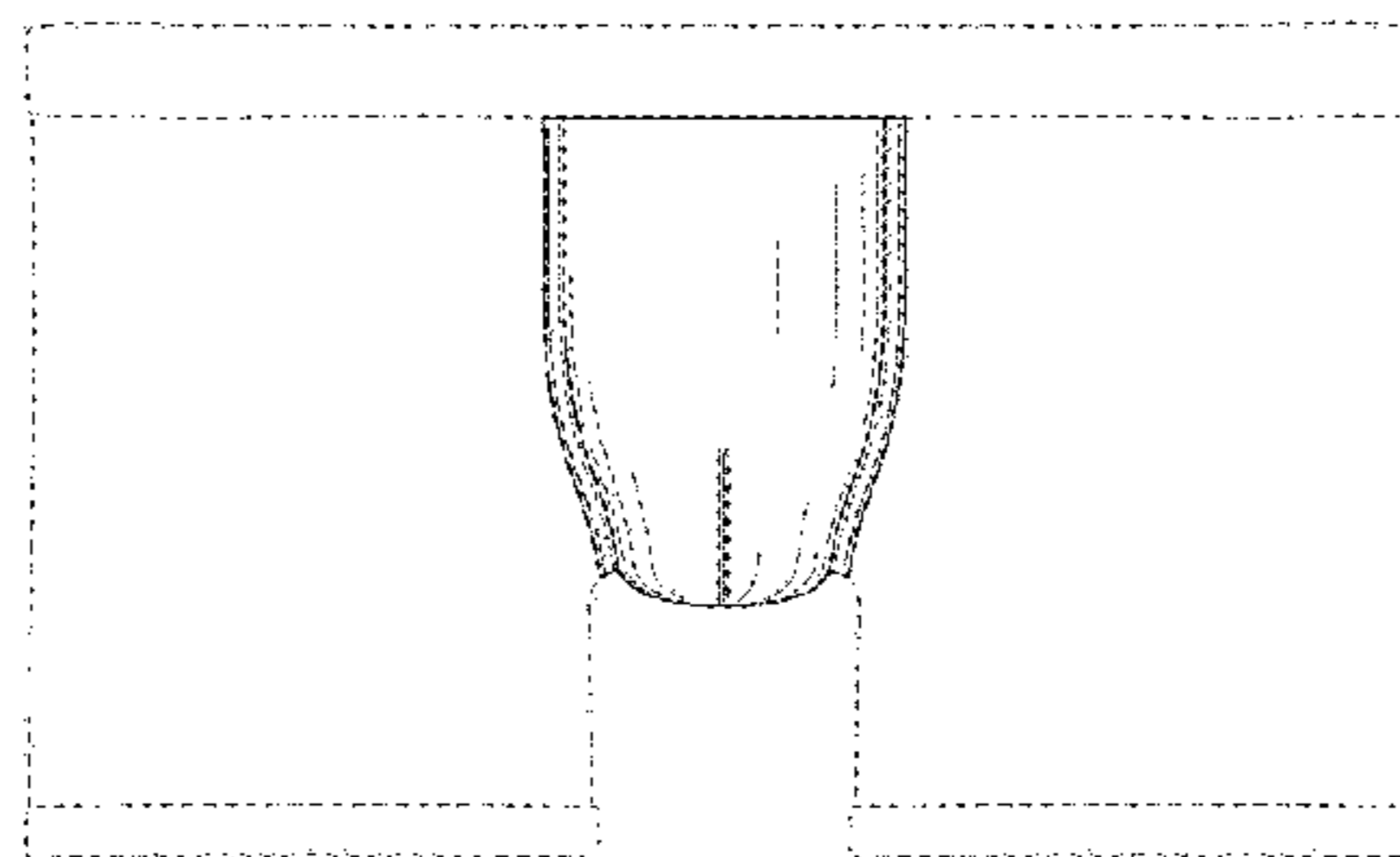
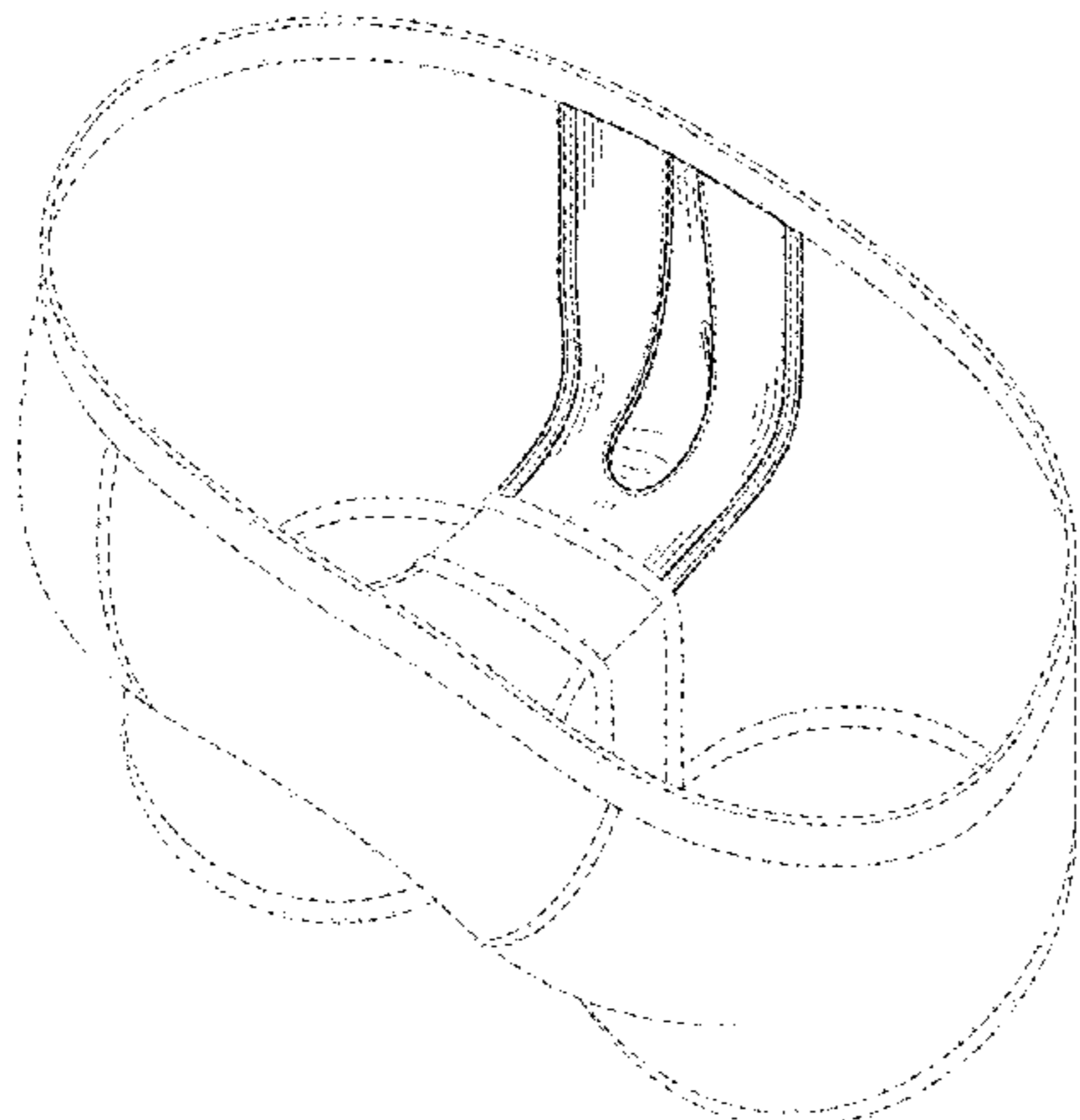
FIG. 7 illustrates a bottom view thereof.

The pouch for men's garment has a protruding pouch and a flap defining a keyhole opening into the pouch. The pouch may be embodied in various types of men's garments, particularly in a mid-section of a front wall of men's underwear and other men's garments worn around a man's torso.

The broken-line showing of a men's garment illustrates portions of the article that form no part of the claimed design.

1 Claim, 4 Drawing Sheets

Matter enclosed in heavy brackets [] appears in the original patent but forms no part of this reissue; matter printed in italics indicates the additions made by reissue.



US RE46,892 E

Page 2

(56)

References Cited

U.S. PATENT DOCUMENTS

2,235,849	A *	3/1941	Reis	A41B 9/02 2/234
2,457,260	A *	12/1948	Morris	A41B 9/04 602/67
2,529,115	A *	11/1950	Thalman	A41C 1/02 450/105
2,639,708	A *	5/1953	Chatfield	A41B 9/06 2/401
3,207,155	A *	9/1965	Casey	A41B 9/02 2/403
3,517,666	A *	6/1970	Atlee	A41B 9/02 2/403
4,870,958	A *	10/1989	Webster	A41B 9/023 128/891
5,647,065	A *	7/1997	Richerson	A41B 9/023 2/227
5,651,144	A *	7/1997	Li	A41B 9/02 2/403
5,754,982	A *	5/1998	Gainer	F41H 1/02 2/102
D482,123	S *	11/2003	Jaquez	D24/190
7,895,676	B2 *	3/2011	Clark	A41B 9/02 2/403
D716,524	S *	11/2014	Astin	D2/712
D716,525	S *	11/2014	Astin	D2/712
D735,444	S *	8/2015	Harris	D2/712
D748,893	S *	2/2016	Astin	D2/712
D748,894	S *	2/2016	Astin	D2/712
D753,368	S *	4/2016	Astin	D2/712
D756,067	S *	5/2016	Astin	D2/712
D756,068	S *	5/2016	Astin	D2/712
D756,069	S *	5/2016	Astin	D2/712
D759,344	S *	6/2016	Astin	D2/712
D759,345	S *	6/2016	Astin	D2/712
D760,994	S *	7/2016	Astin	D2/712
D760,995	S *	7/2016	Astin	D2/712
D761,519	S *	7/2016	Astin	D2/712
D763,547	S *	8/2016	Astin	D2/712
9,687,030	B2 *	6/2017	Bigney	A41B 9/023
9,713,348	B2 *	7/2017	Astin	A41B 9/02
D799,153	S *	10/2017	Astin	D2/712
2004/0154079	A1 *	8/2004	Rana et al.	A41B 9/04 2/406
2007/0277285	A1 *	12/2007	Gravette et al.	A41B 9/023 2/78.1

* cited by examiner

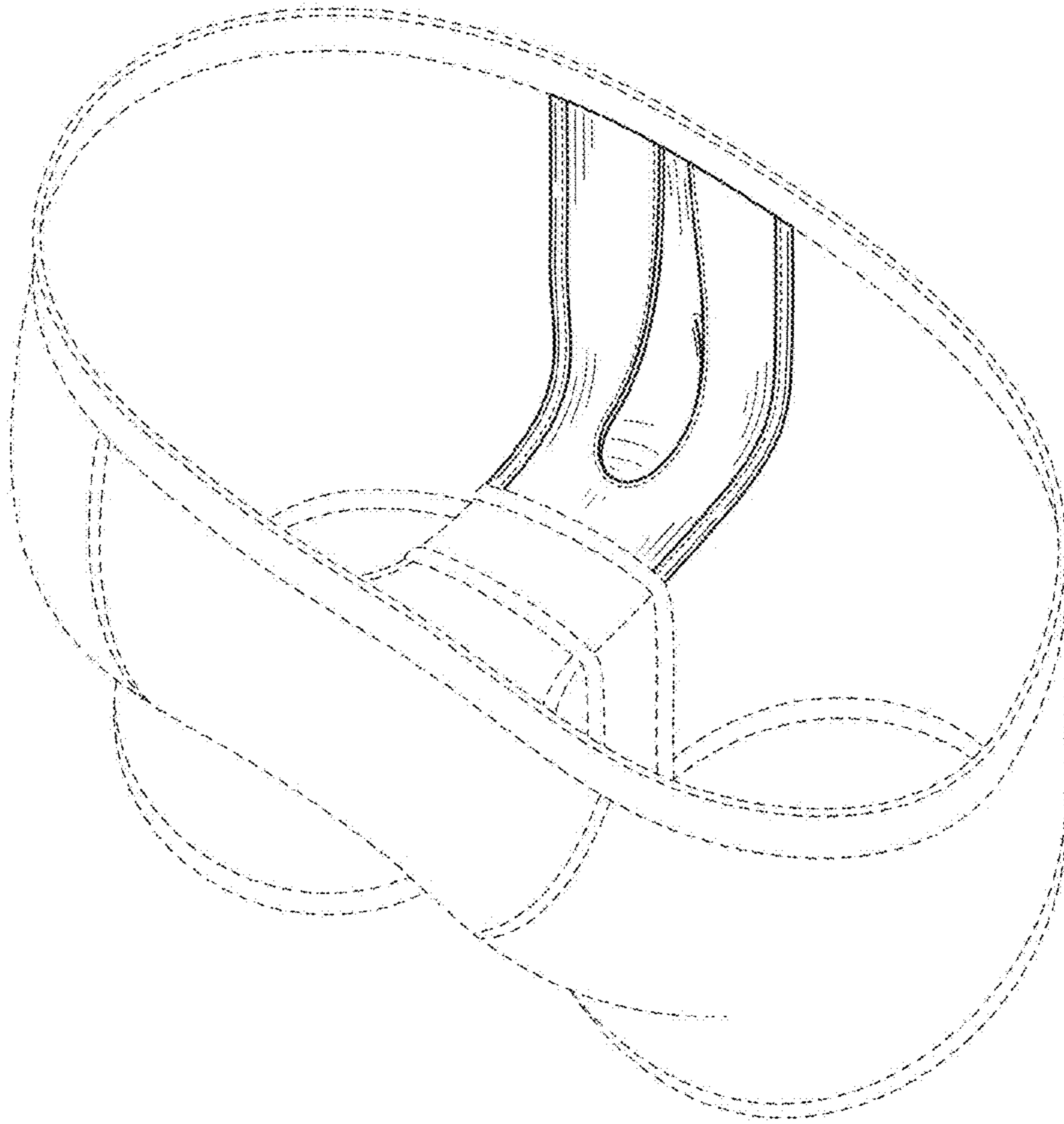


FIG. 1

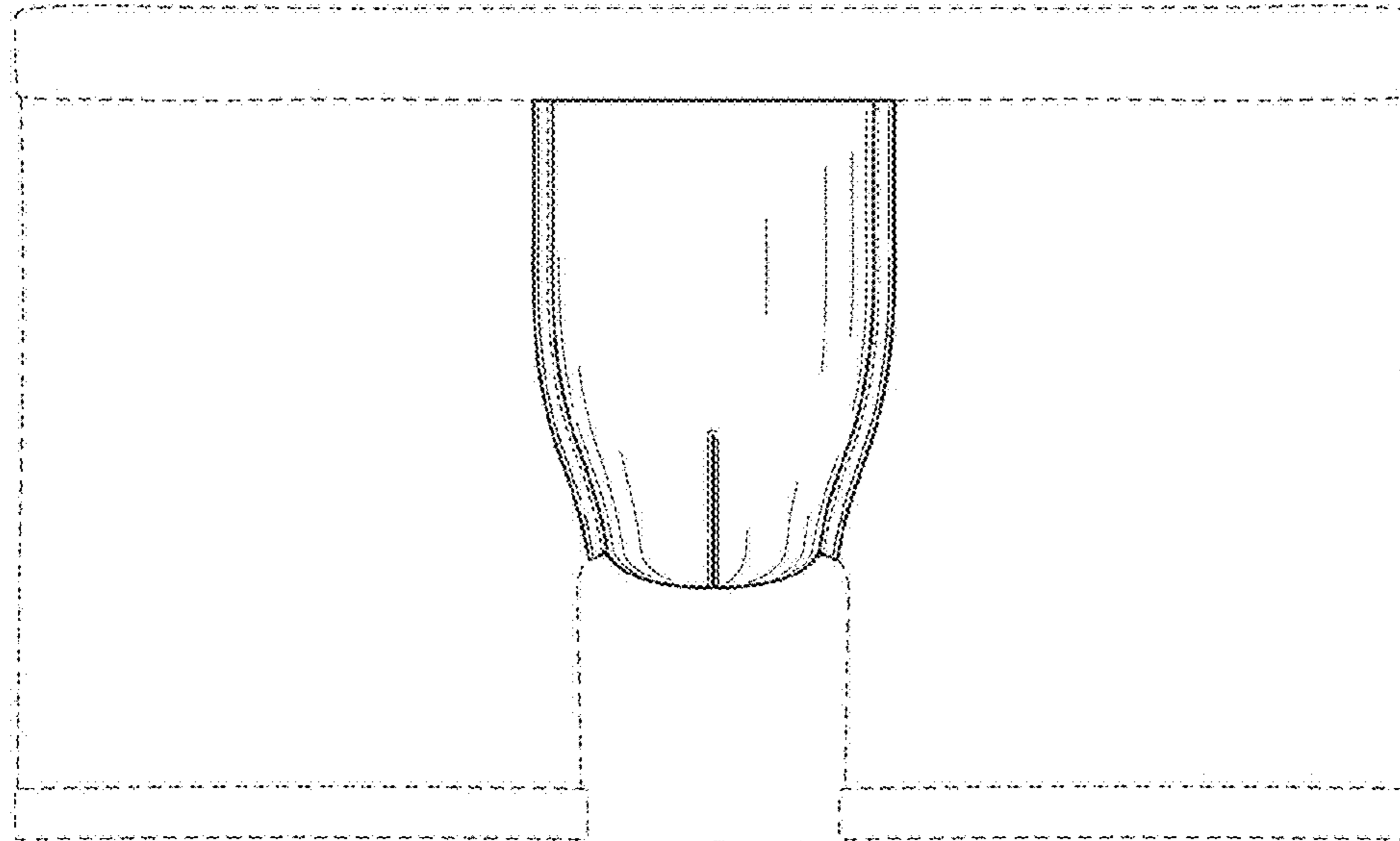


FIG. 2

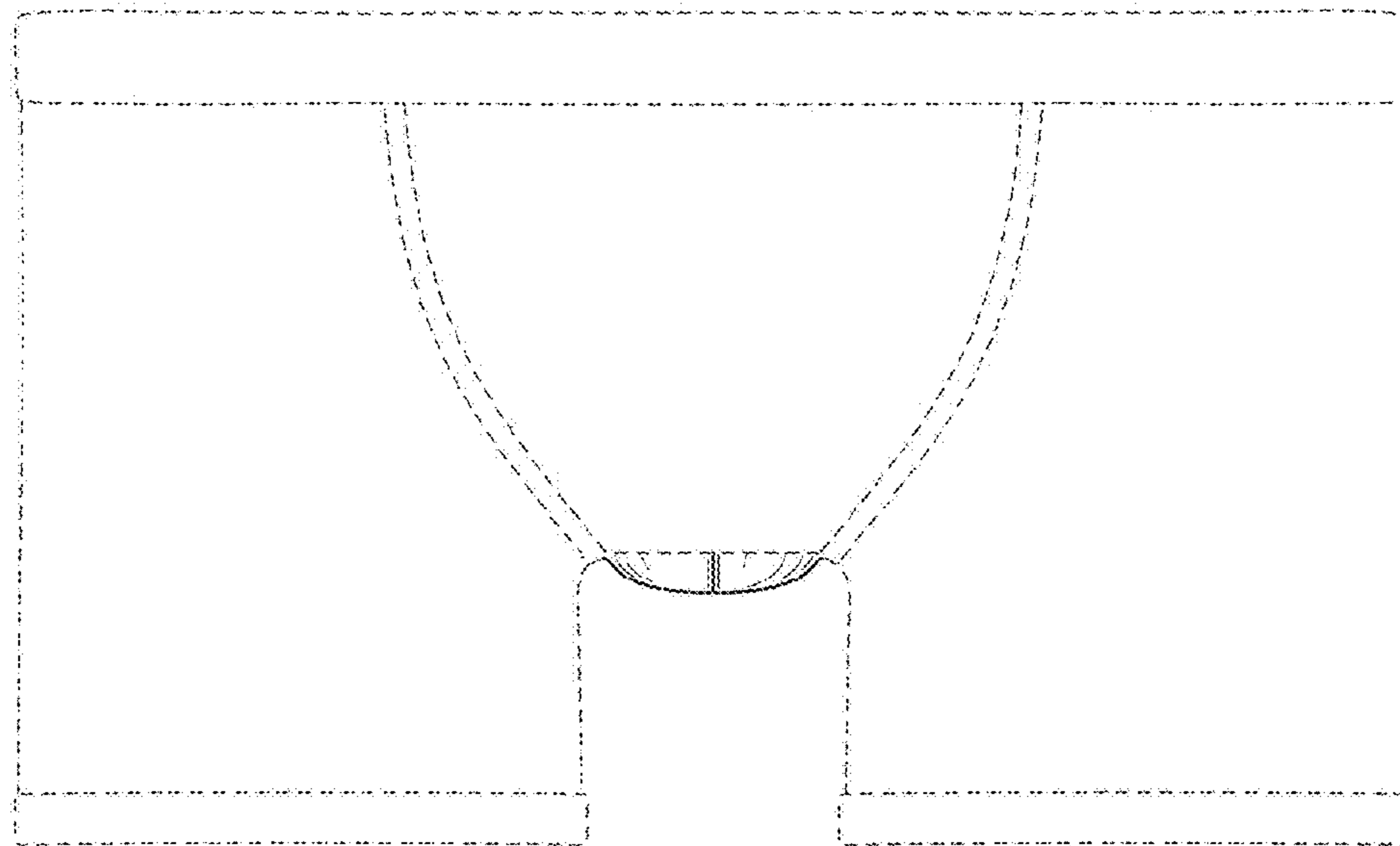


FIG. 3

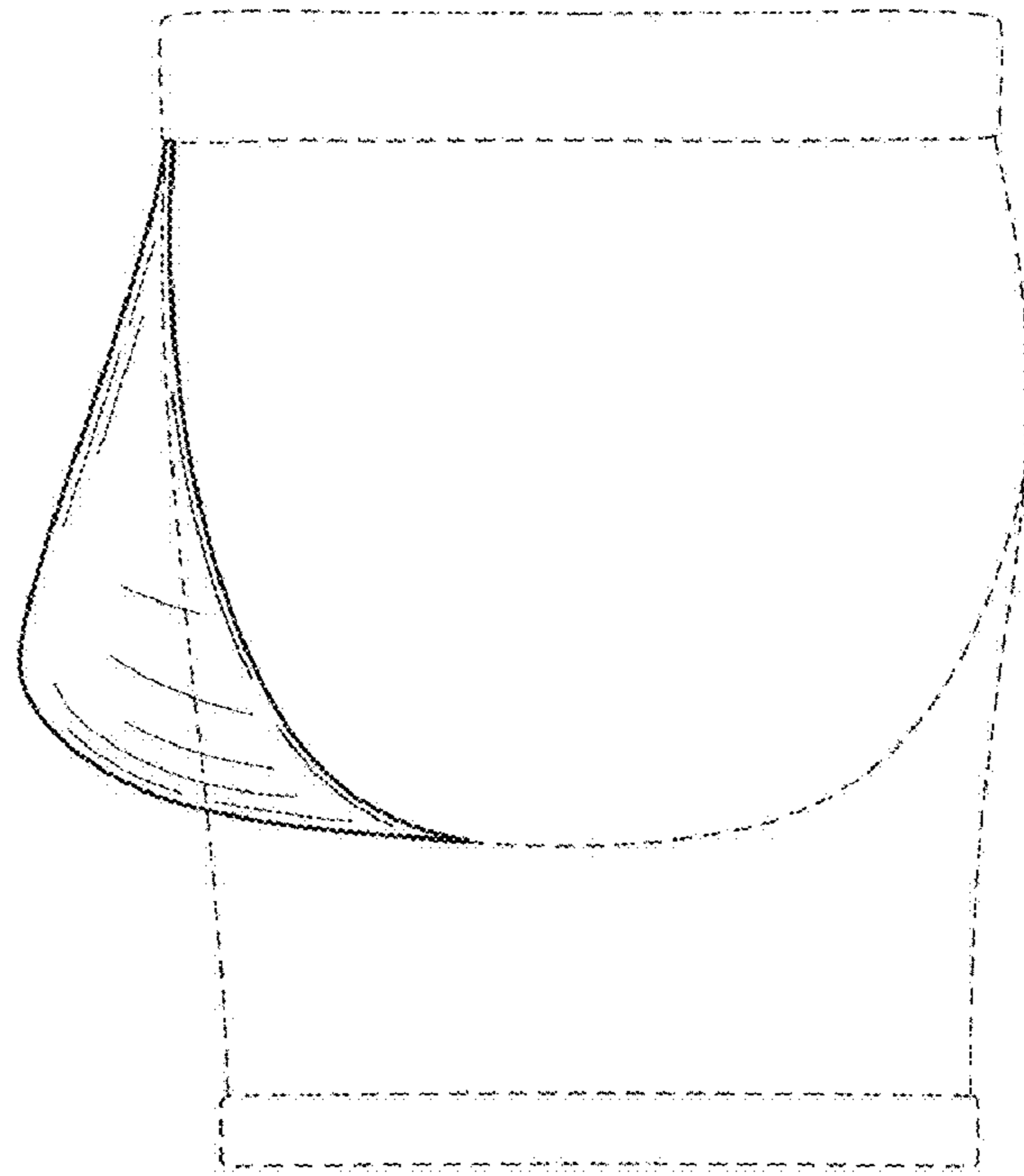


FIG. 4

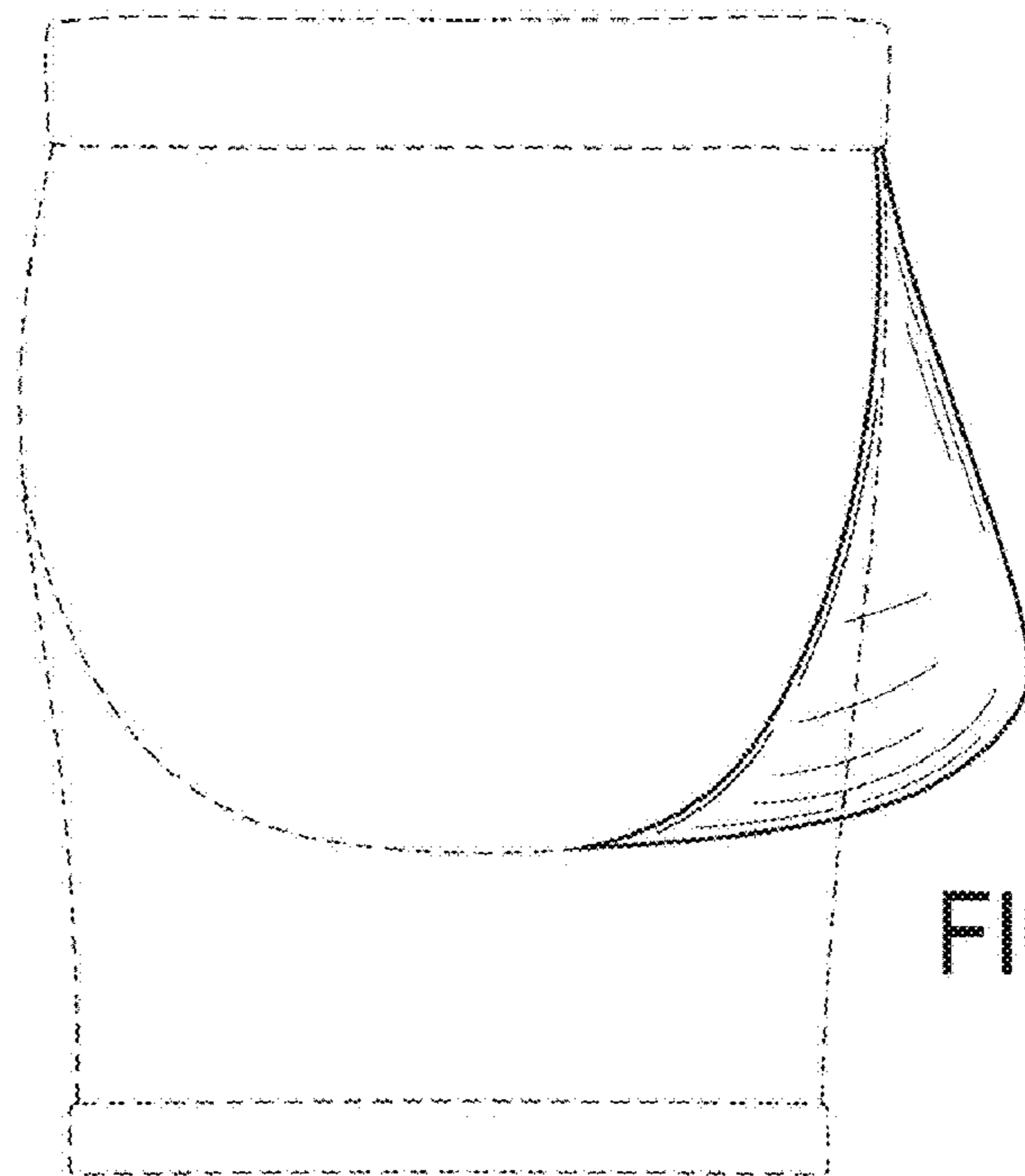


FIG. 5

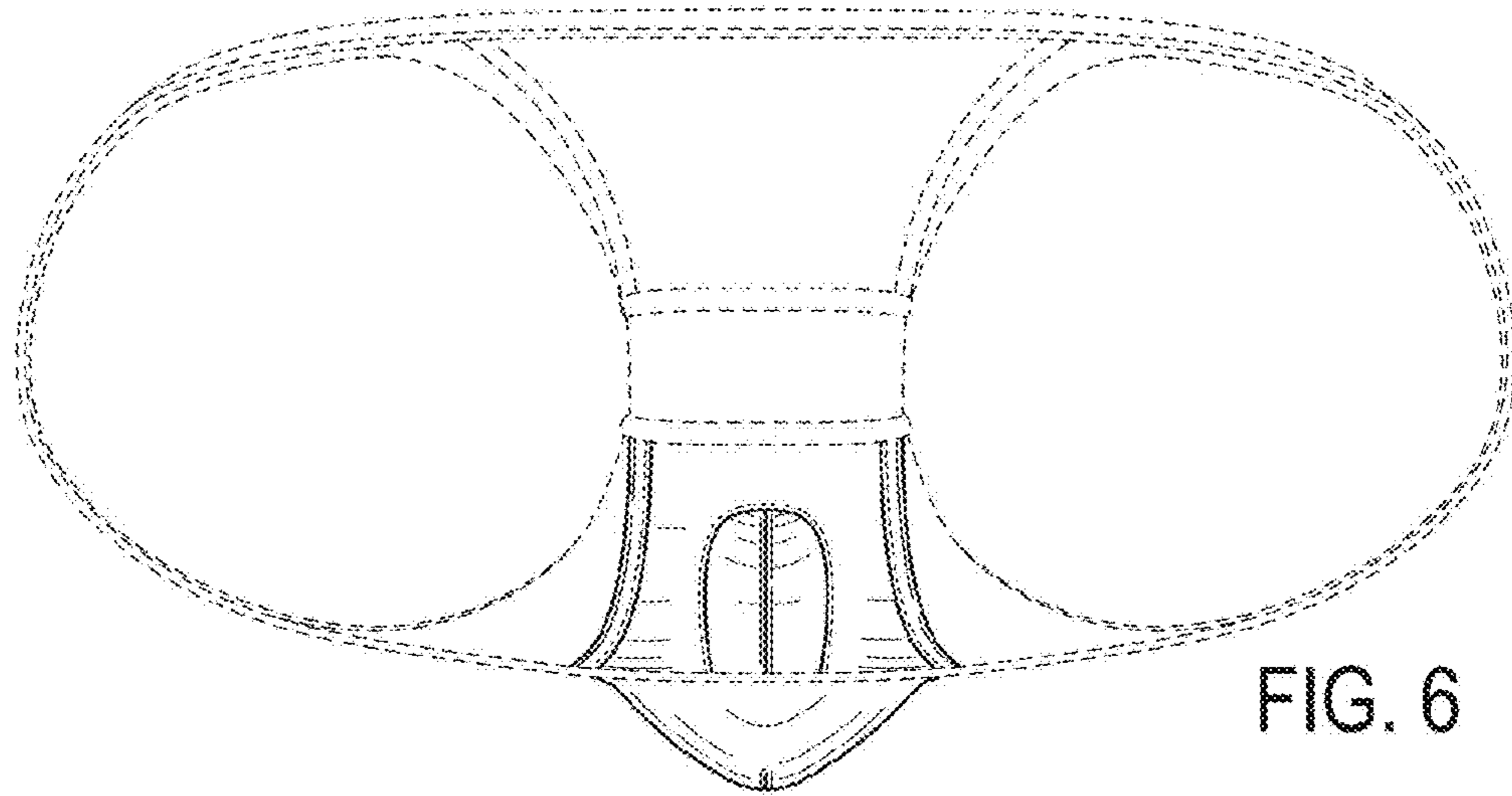


FIG. 6

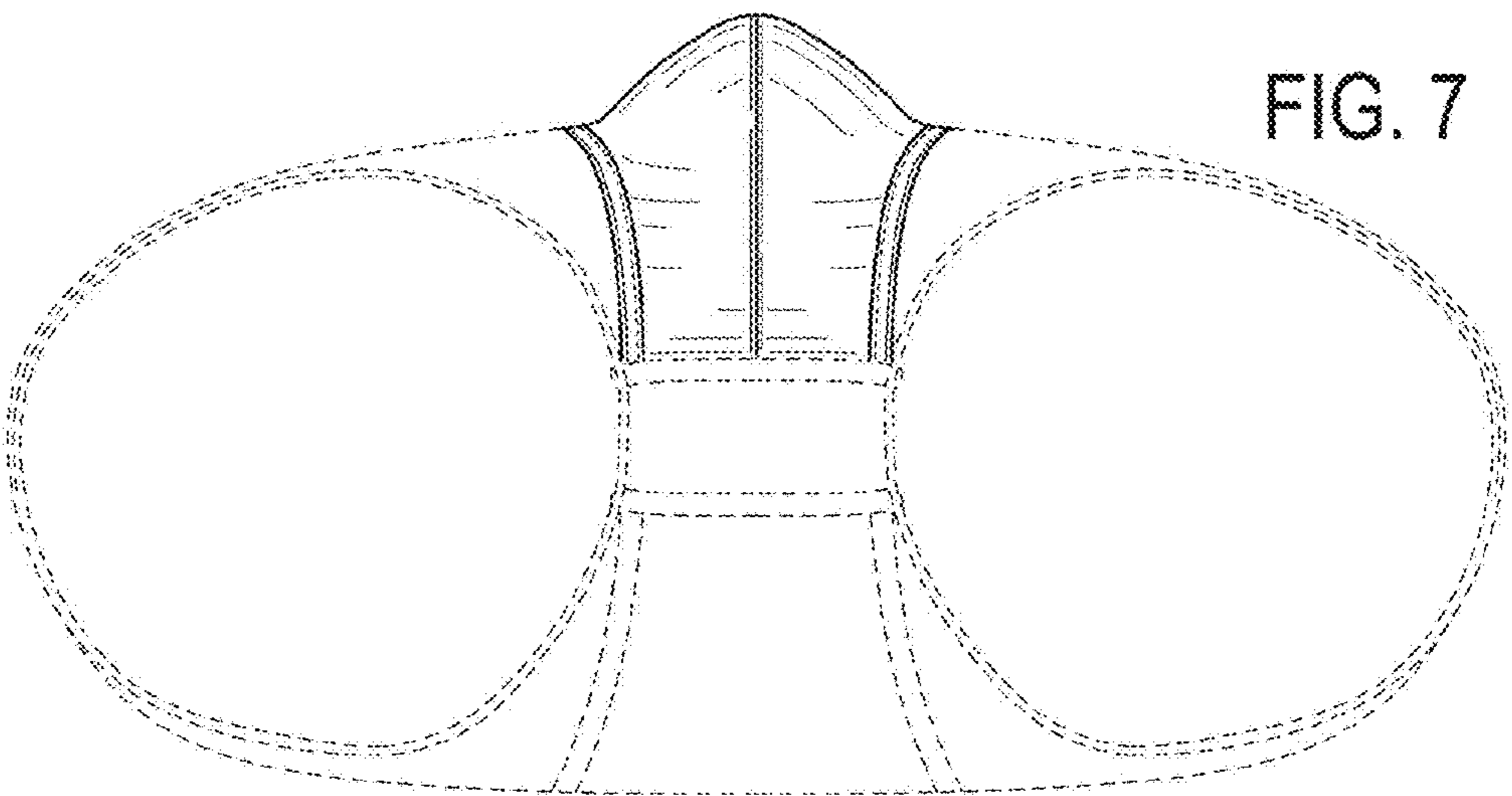


FIG. 7