



US00RE46822E

(19) **United States**  
(12) **Reissued Patent**  
**Moller-Lewin et al.**

(10) **Patent Number: US RE46,822 E**  
(45) **Date of Reissued Patent: May 8, 2018**

(54) **MONITORING CAMERA**

G08B 13/19632; F16M 11/04; F16M 13/00

(71) Applicant: **AXIS AB**, Lund (SE)

See application file for complete search history.

(72) Inventors: **Niclas Moller-Lewin**, Malmo (SE);  
**Mathias Andersson**, Hoganas (SE);  
**Mariano Vozzi**, Malmo (SE); **Andres Vigren**, Hollviken (SE)

(56) **References Cited**

U.S. PATENT DOCUMENTS

D582,460 S \* 12/2008 Yoo et al. .... D16/203  
D589,995 S \* 4/2009 Kellar et al. .... D16/203  
D635,172 S \* 3/2011 Ko ..... D16/203  
D635,173 S \* 3/2011 Yamakawa ..... D16/203  
D661,719 S \* 6/2012 Katori et al. .... D16/203  
D669,108 S \* 10/2012 Maeyama ..... D16/202

(Continued)

(73) Assignee: **AXIS AB**, Lund (SE)

FOREIGN PATENT DOCUMENTS

(21) Appl. No.: **29/593,384**

TW D113621 10/1994

(22) Filed: **Feb. 8, 2017**

**Related U.S. Patent Documents**

Reissue of:

(64) Patent No.: **Des. 753,751**  
Issued: **Apr. 12, 2016**  
Appl. No.: **29/461,582**  
Filed: **Jul. 25, 2013**

OTHER PUBLICATIONS

<http://www.bolideco.com> Date prior to Jan. 25, 2013.  
(Continued)

(30) **Foreign Application Priority Data**

Jan. 25, 2013 (EM) ..... 001358469-01-04

(51) **LOC (11) Cl.** ..... **16-01**

(52) **U.S. Cl.**  
USPC ..... **D16/203**

(58) **Field of Classification Search**

USPC ..... D16/200, 202–206, 218, 219, 242;  
348/143, 148, 151, 373–376; 396/419,  
396/427, 535, 539–541  
CPC ..... G03B 17/02; G03B 19/04; G03B 17/56;  
G03B 17/04; G03B 15/03; H04N 5/2251;  
H04N 5/2252; H04N 5/2253; H04N  
5/2254; H04N 7/181; H04N 7/183; H04N  
7/18; G08B 13/1963; G08B 13/19619;

*Primary Examiner* — Phillip S Hyder

(74) *Attorney, Agent, or Firm* — Volpe and Koenig, P.C.

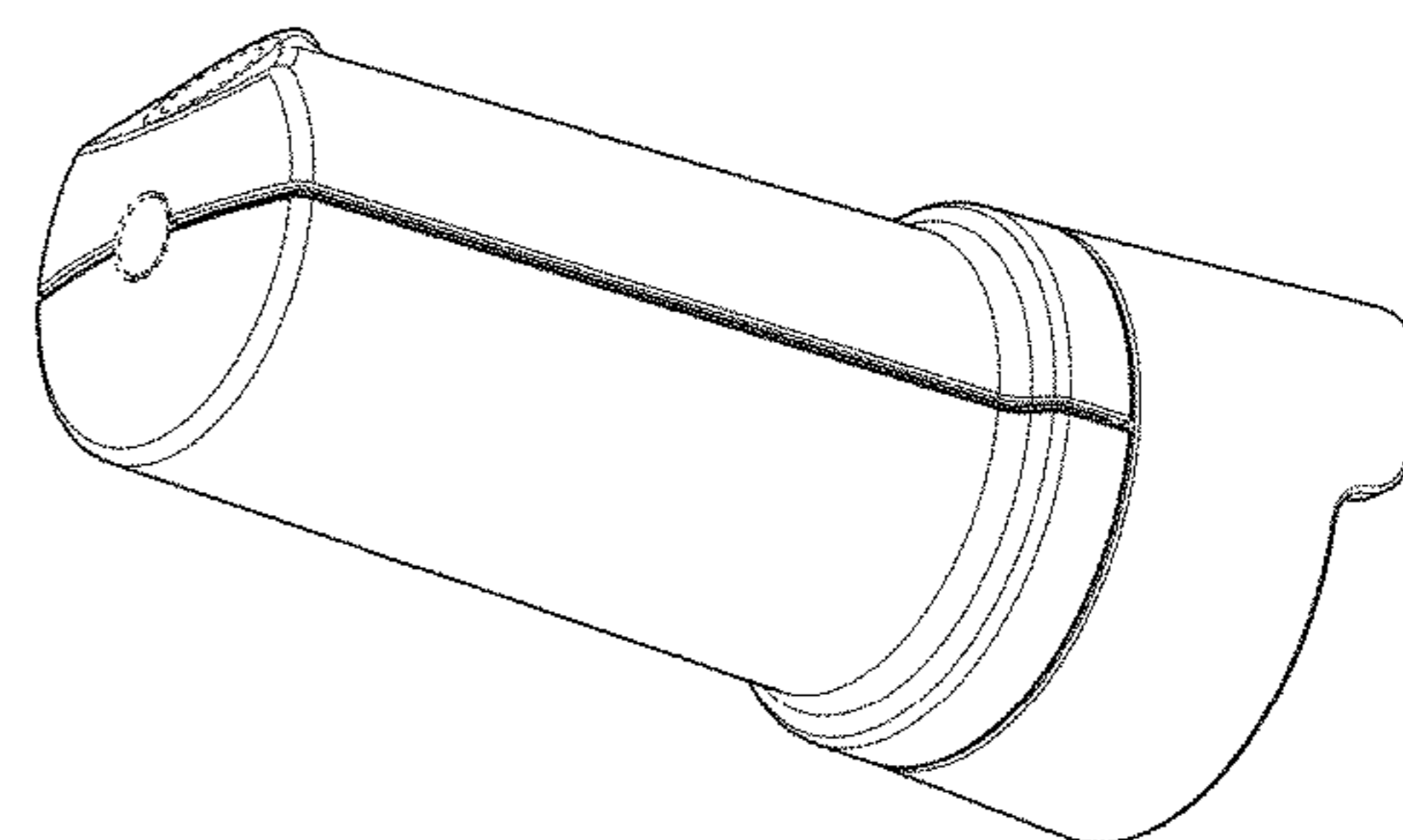
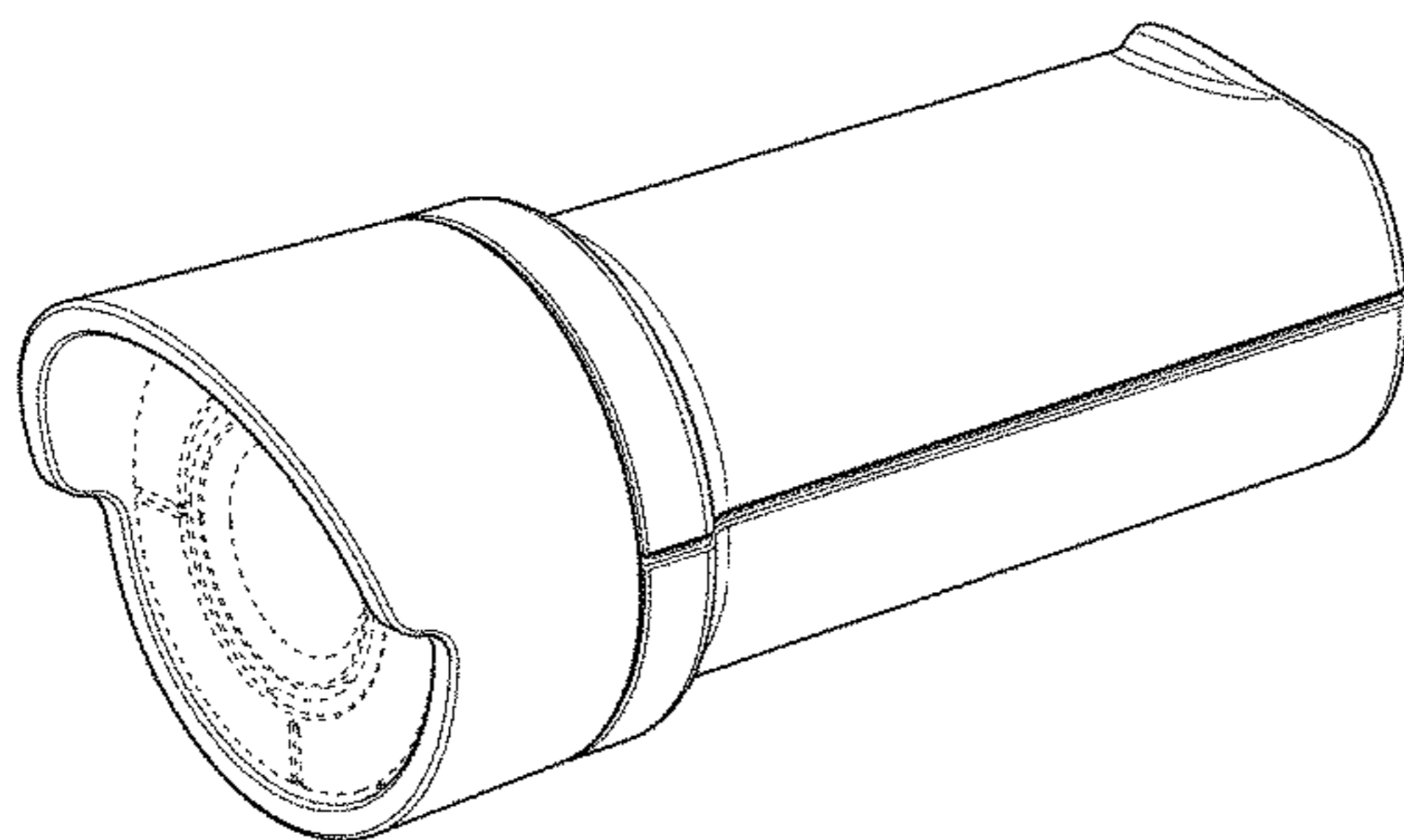
(57) **CLAIM**

The ornamental design for a monitoring camera, as shown and described.

**DESCRIPTION**

FIG. 1 is top, front and right side perspective view of a monitoring camera showing our new design; FIG. 2 is bottom, rear and left side perspective view thereof; FIG. 3 is a top plan view thereof; FIG. 4 is a front elevational view thereof; FIG. 5 is a left side elevational view thereof, the undisclosed right side elevational view being a mirror image of the left side elevation; FIG. 6 is a bottom plan view thereof; and, FIG. 7 is a rear elevational view thereof.

(Continued)



The broken lines depict portions of a monitoring camera in which the design is embodied and form no part of the claimed design.

**1 Claim, 4 Drawing Sheets**

**Matter enclosed in heavy brackets [ ] appears in the original patent but forms no part of this reissue; matter printed in italics indicates the additions made by reissue.**

(56)

**References Cited**

U.S. PATENT DOCUMENTS

D691,187	S *	10/2013	Seo et al. ....	D16/203
D696,330	S *	12/2013	Matsumoto et al. ....	D16/203
D702,274	S *	4/2014	Qian et al. ....	D16/203
D721,756	S *	1/2015	Hallstrom et al. ....	D16/203
2008/0170121	A1 *	7/2008	Su et al. ....	G08B 13/19619 348/143
2010/0013922	A1 *	1/2010	Cheng .....	G08B 13/19619 348/143

OTHER PUBLICATIONS

[http://www.pistore.com/equipment-cameras-bullet-c-2\\_207.html](http://www.pistore.com/equipment-cameras-bullet-c-2_207.html)  
Date prior to Jan. 25, 2013.

<http://www.best-b2b.com/Sub-cat/592/593/surveillance-control>  
date prior to Jan. 25, 2013.

<http://bulletcameras.wordpress.com> Date prior to Jan. 25, 2013.

<http://www.maxmax.com> Date prior to Jan. 25, 2013.

<http://procompvideo.com> Date prior to Jan. 25, 2013.

<http://dcrsecurity.com> Date prior to Jan. 25, 2013.

<http://salestores.com> Date prior to Jan. 25, 2013.

<http://www.bhphotovideo.com> Date prior to Jan. 25, 2013.

<http://www.diytrade.com> Date prior to Jan. 25, 2013.

<http://www.asia.ru> Date prior to Jan. 25, 2013.

<http://www.clintonelectronics.com> Date prior to Jan. 25, 2013.

<http://www.cctv-security-camera-systems.com> Date prior to Jan. 25, 2013.

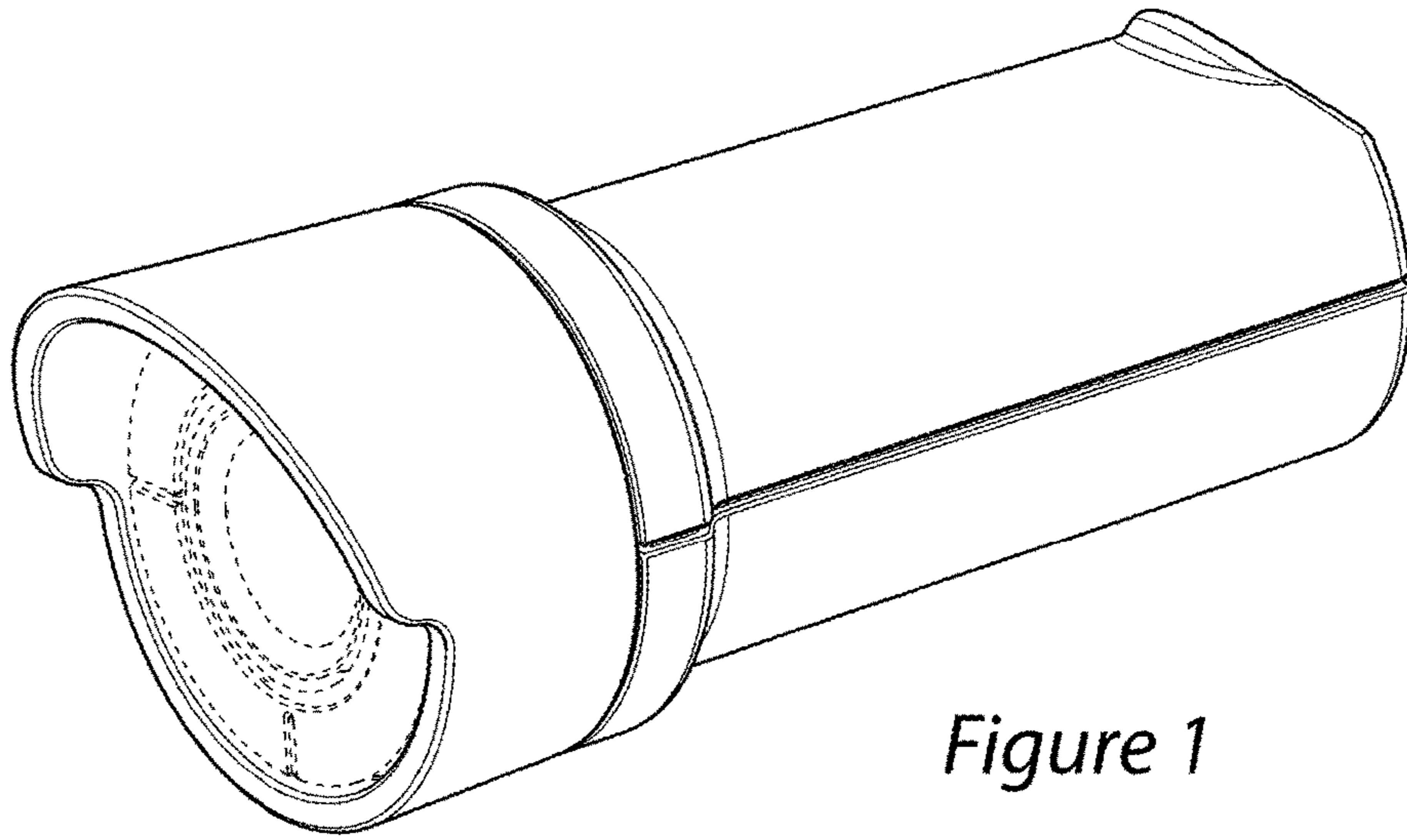
<http://www.dtsdigitalcctv.co.uk> Date prior to Jan. 25, 2013.

<http://www.gatetec.se> Date prior to Jan. 25, 2013.

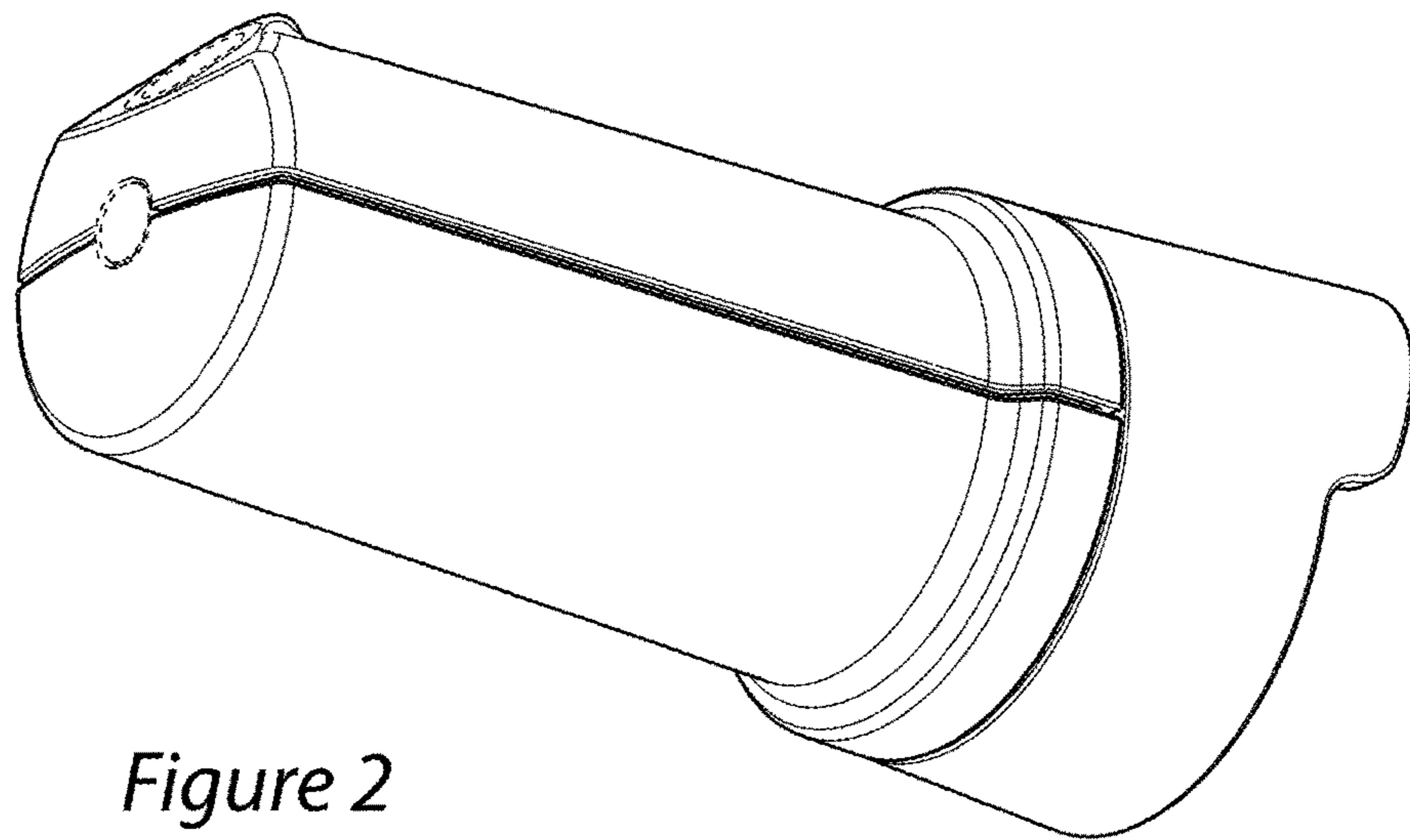
<http://eyewitnesssystems.com> Date prior to Jan. 25, 2013.

<http://www.footprintsecurity.com.au> Date prior to Jan. 25, 2013.

\* cited by examiner



*Figure 1*



*Figure 2*

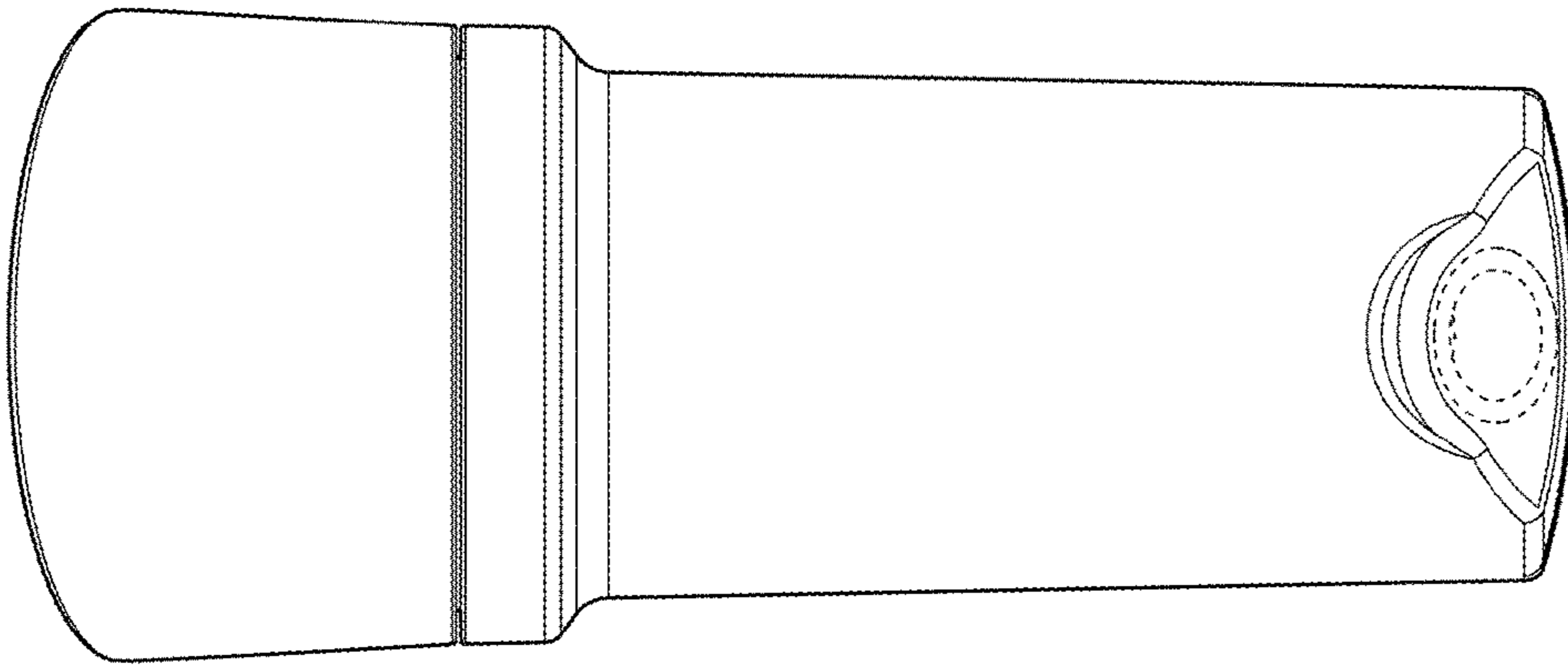


Figure 3

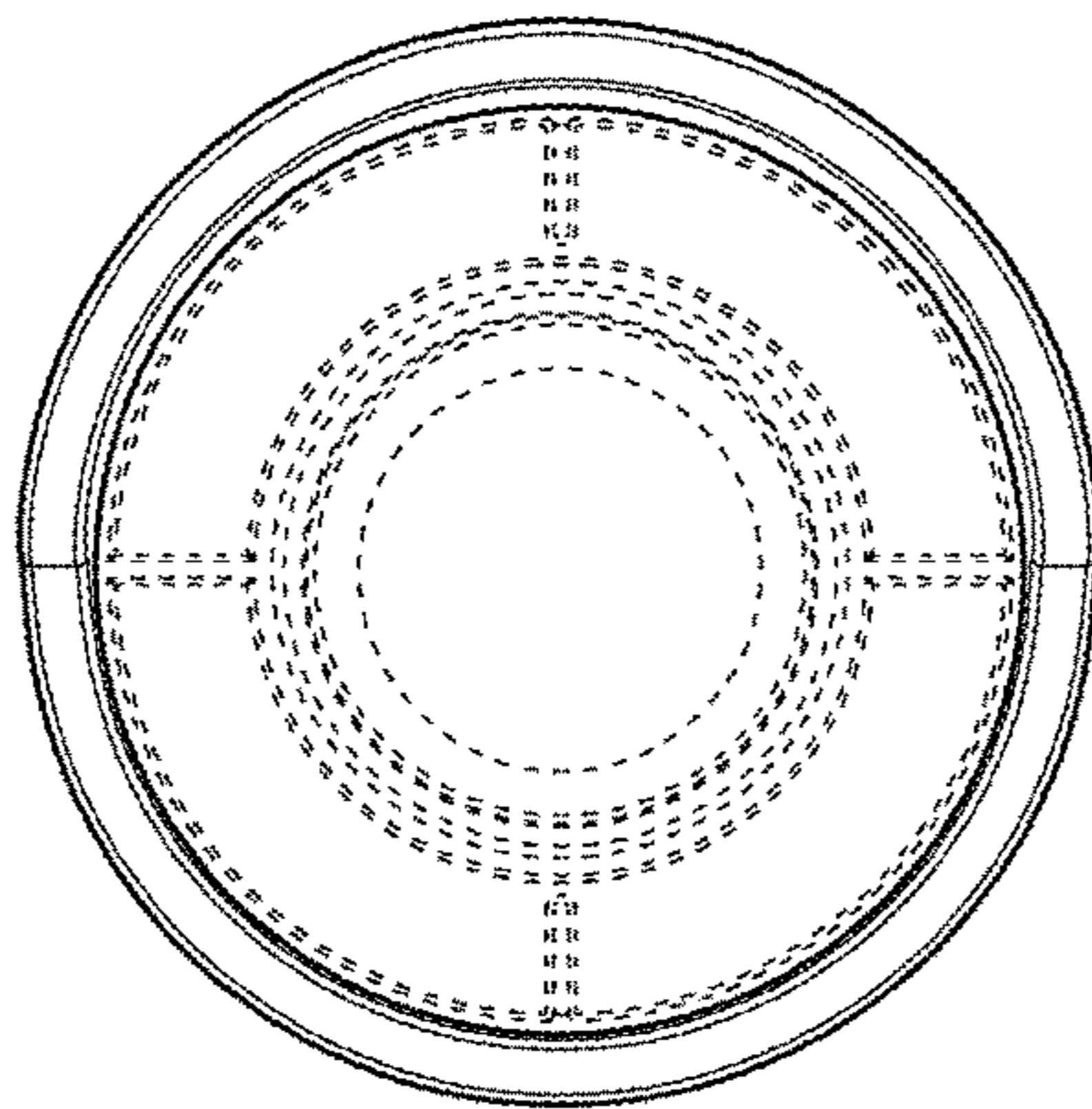
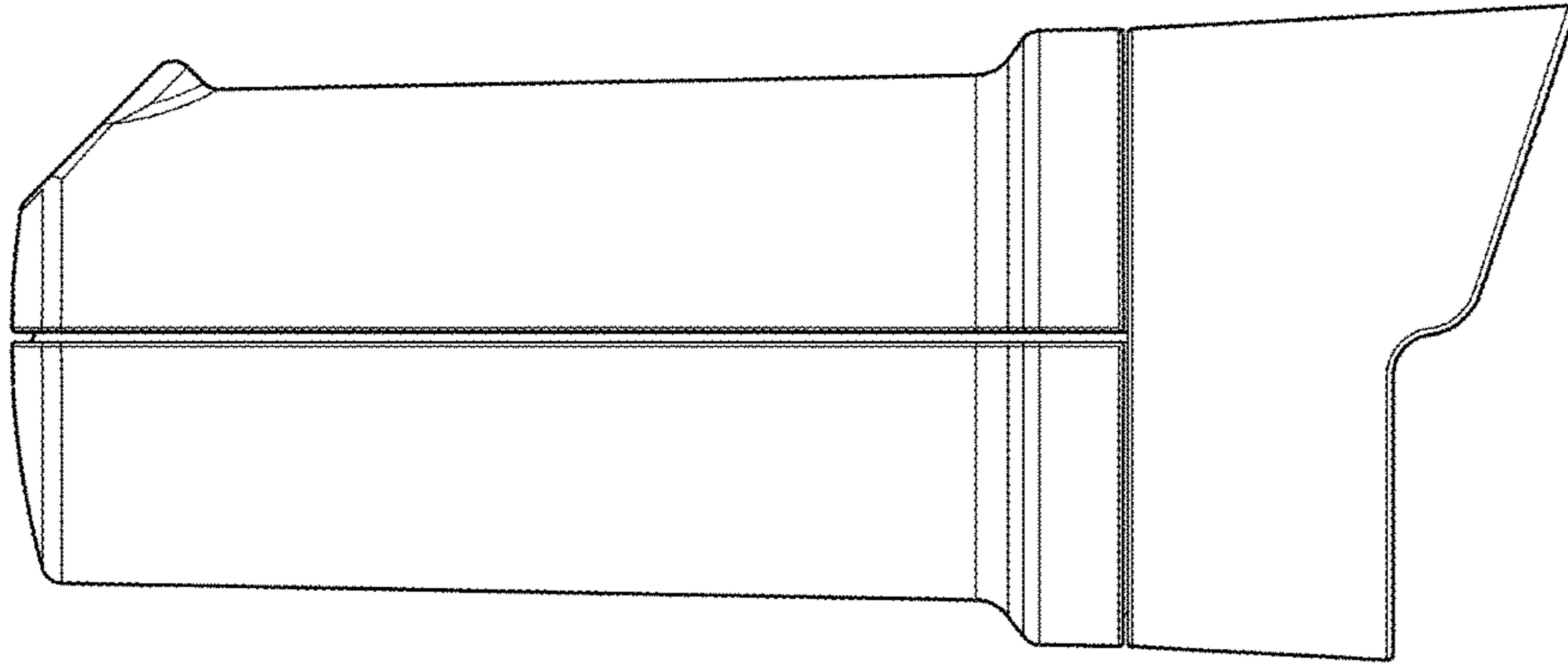
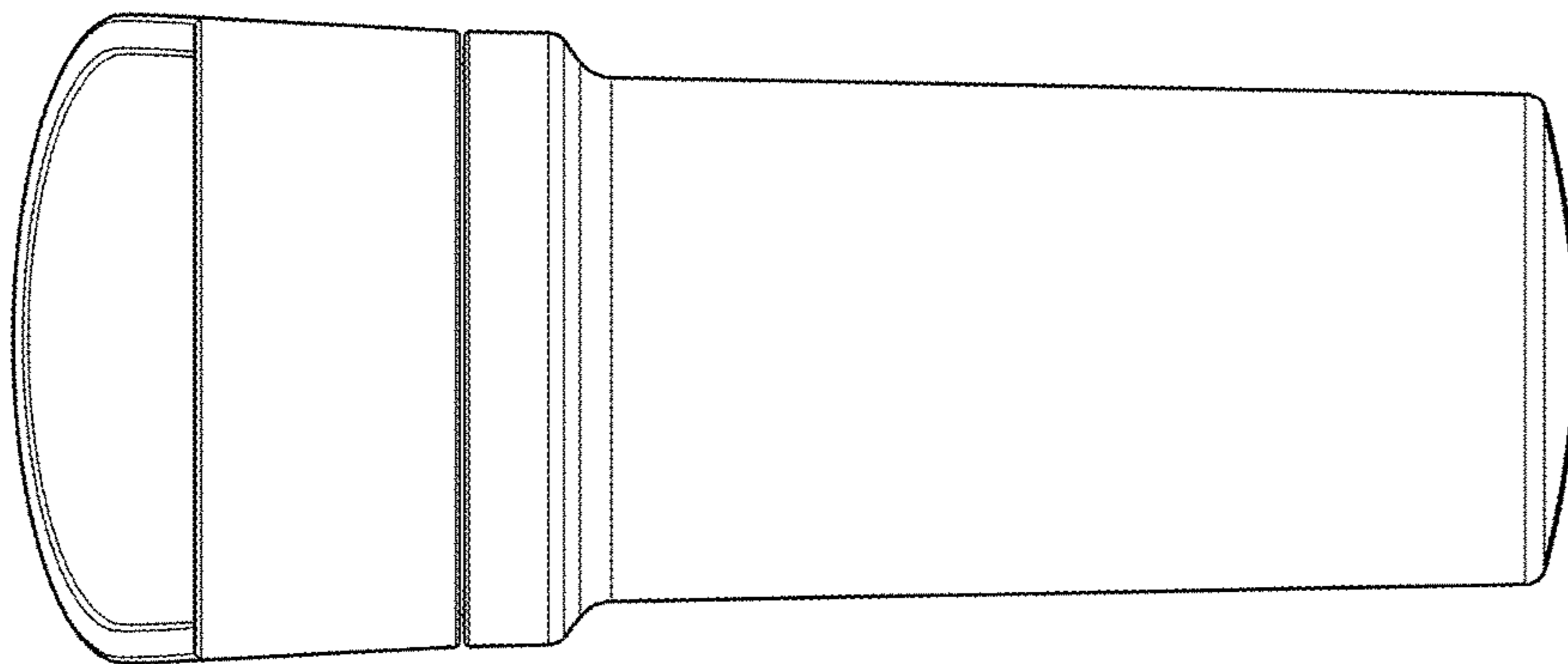


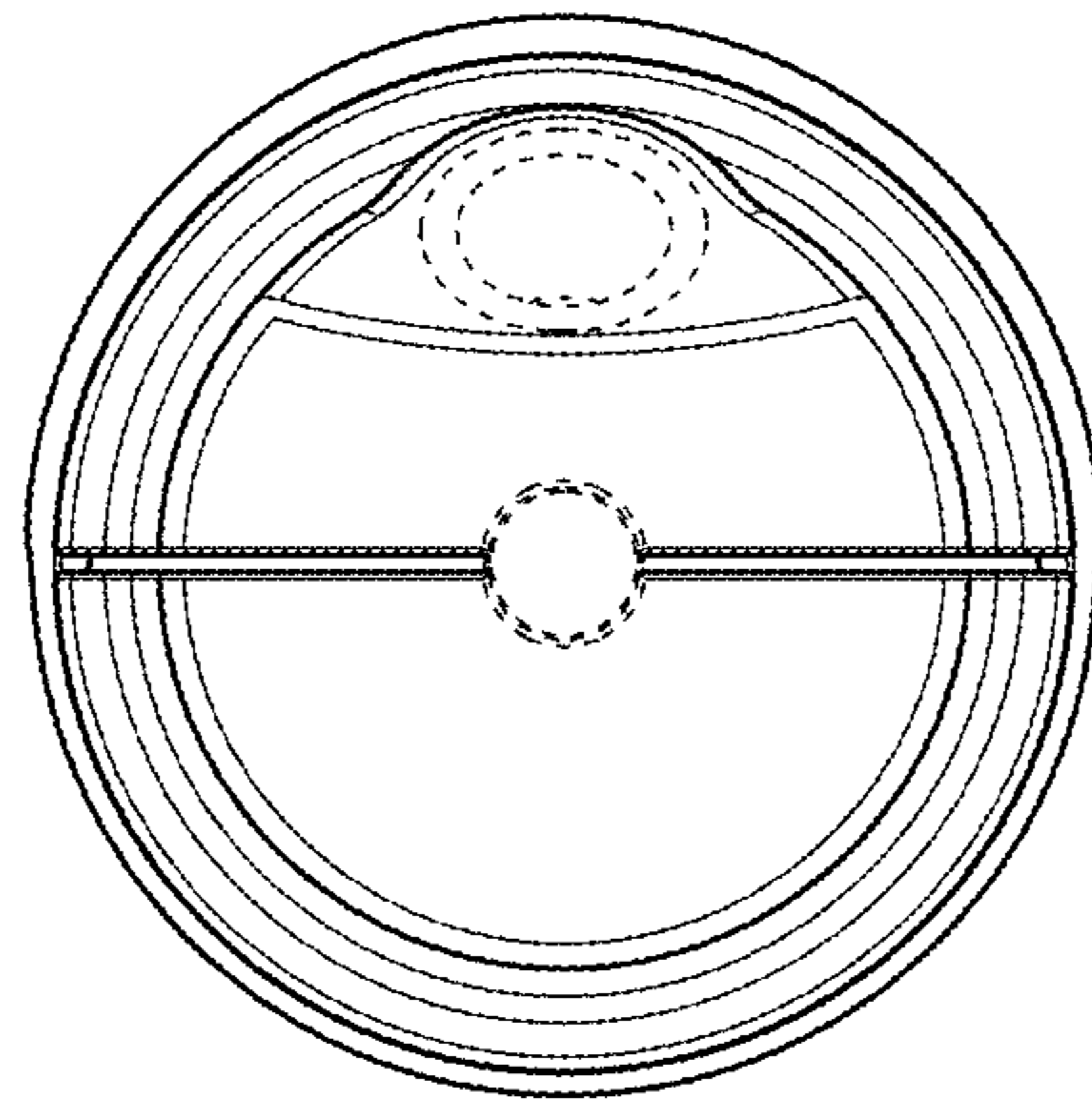
Figure 4



*Figure 5*



*Figure 6*



*Figure 7*