



US00RE46812E

(19) **United States**
(12) **Reissued Patent**
Sohn et al.

(10) **Patent Number:** **US RE46,812 E**
(45) **Date of Reissued Patent:** **May 1, 2018**

(54) **PORTABLE COMPUTER**
(71) Applicant: **Samsung Electronics Co., Ltd.**,
Suwon-si (KR)
(72) Inventors: **Donghoon Sohn**, Seoul (KR); **Anders**
P. Jensen, Charlottenlund (DK)
(73) Assignee: **SAMSUNG ELECTRONICS CO.,**
LTD., Suwon-si (KR)

Primary Examiner — Phillip S Hyder
(74) *Attorney, Agent, or Firm* — McAndrews Held &
Malloy, Ltd.

(21) Appl. No.: **29/581,288**

(22) Filed: **Oct. 18, 2016**

Related U.S. Patent Documents

Reissue of:

(64) Patent No.: **Des. 723,540**
Issued: **Mar. 3, 2015**
Appl. No.: **29/473,116**
Filed: **Nov. 19, 2013**

(30) **Foreign Application Priority Data**

May 30, 2013 (KR) 30-2013-0028189

(51) **LOC (11) Cl.** **14-02**

(52) **U.S. Cl.**
USPC **D14/315**

(58) **Field of Classification Search**
USPC D14/315-327; D18/2, 7, 11
CPC ... G06F 1/166; H04M 1/0214; H04M 1/0216;
H04M 1/0237

See application file for complete search history.

(56) **References Cited**

U.S. PATENT DOCUMENTS

5,987,704 A 11/1999 Tang
6,223,393 B1 5/2001 Knopf
6,421,235 B2 7/2002 Ditzik
6,480,373 B1 * 11/2002 Landry et al. 361/679.06
D488,807 S * 4/2004 Ogasawara D14/318

(Continued)

(57) **CLAIM**

The ornamental design for a portable computer, as shown
and described.

DESCRIPTION

*Notice: More than one reissue application has been filed for
the reissue of U.S. Pat. No. D723,540. The reissue applica-
tions are application Nos. 29/556,105, which is an applica-
tion for reissue of U.S. Pat. No. D723,540; 29/556,459 and
29/556,468, which are each a continuation reissue of appli-
cation Ser. No. 29/556,105; and 29/581,288, which is a
divisional reissue of application Ser. No. 29/556,105.*

FIG. 1 is a top front perspective view of a portable computer
showing our new design;

FIG. 2 is a front view thereof;

FIG. 3 is a rear view thereof;

FIG. 4 is a [side] left-side view thereof;

FIG. 5 is [another side] a right-side view thereof;

FIG. 6 is a top view thereof;

FIG. 7 is a bottom view thereof; and,

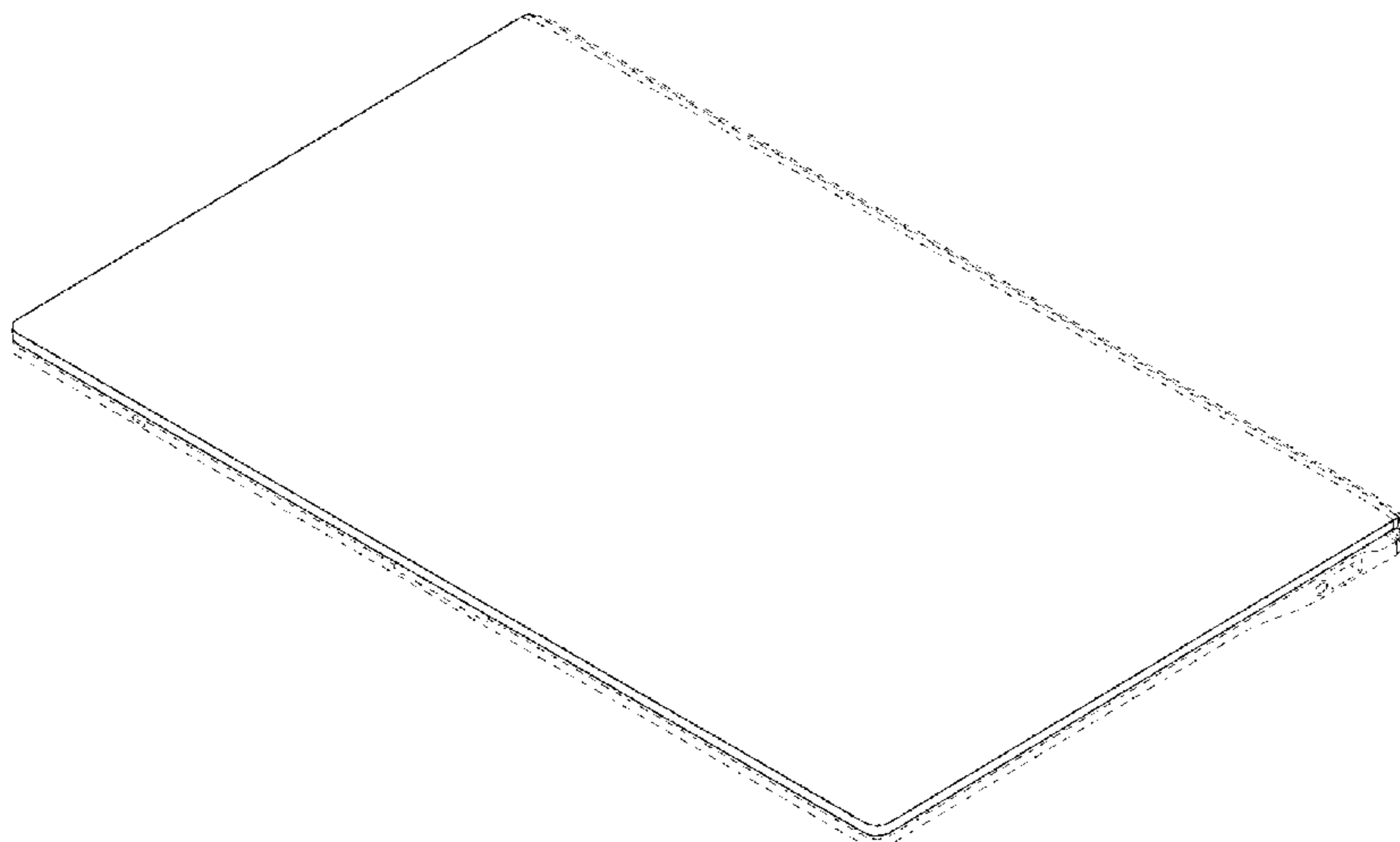
FIG. 8 is another top front perspective view thereof, with the
portable computer shown in an open position.

**[The broken lines illustrating portions of the portable com-
puter are for environmental purposes only and form no part
of the claimed design.]**

*The broken lines in the drawings illustrate portions of the
portable computer that form no part of the claimed design.*

1 Claim, 4 Drawing Sheets

**Matter enclosed in heavy brackets [] appears in the
original patent but forms no part of this reissue; matter
printed in italics indicates the additions made by reissue.**



(56)

References Cited

U.S. PATENT DOCUMENTS

D551,640	S	9/2007	Wolf	
D591,283	S	* 4/2009	Luminosu et al.	D14/318
7,532,916	B2	5/2009	Lee	
8,170,630	B2	5/2012	Murayama	
8,194,399	B2	6/2012	Ashcraft	
D664,753	S	8/2012	Santos	
D664,953	S	8/2012	Hung	
D675,199	S	* 1/2013	Wen et al.	D14/315
D682,818	S	5/2013	Morisawa	
D705,221	S	5/2014	Hong	
2006/0002068	A1	1/2006	Kim	
2007/0117600	A1	5/2007	Robertson, Jr.	
2008/0300031	A1	12/2008	Cho	
2010/0232100	A1	9/2010	Fukuma	

* cited by examiner

FIG.1

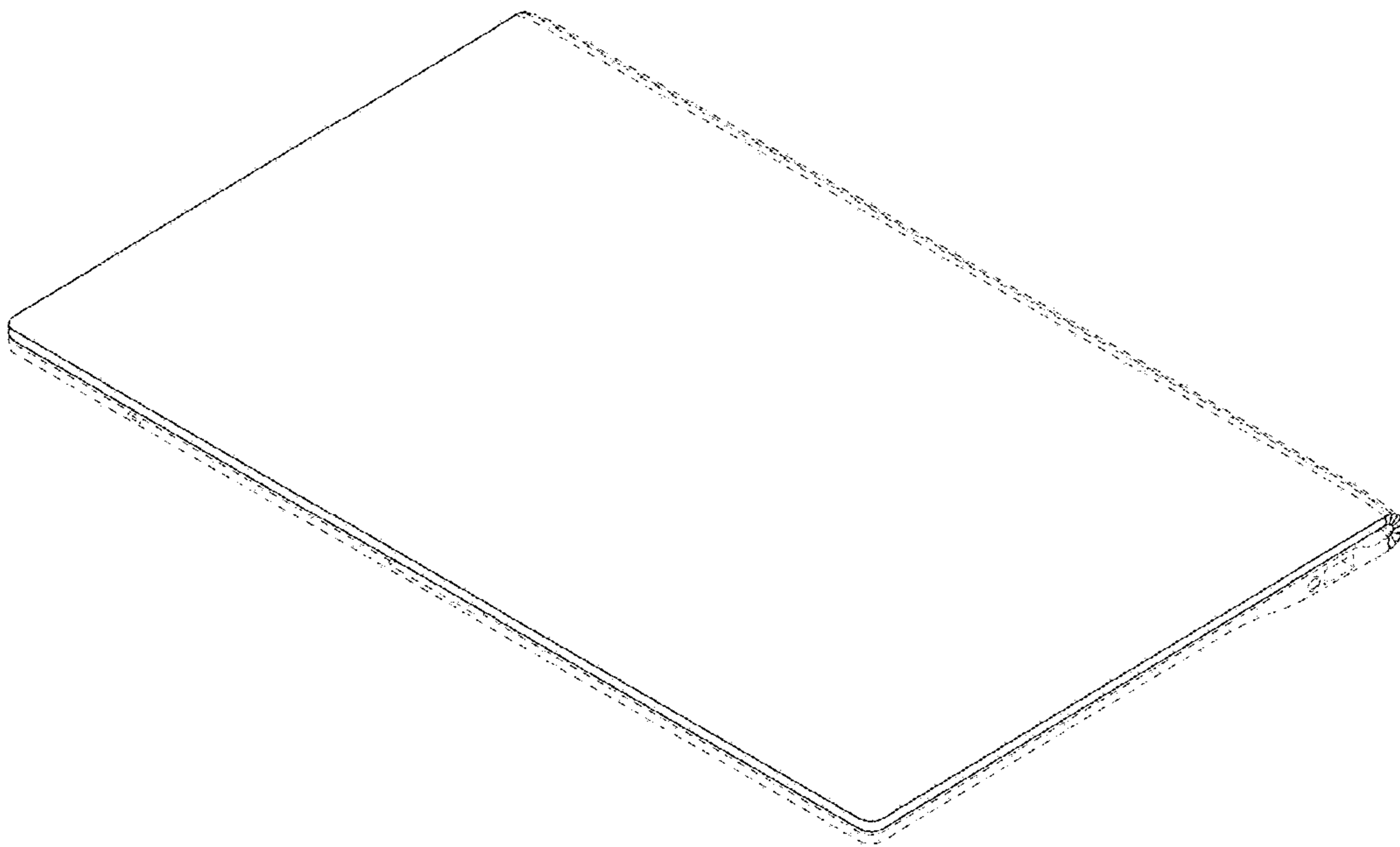


FIG.2

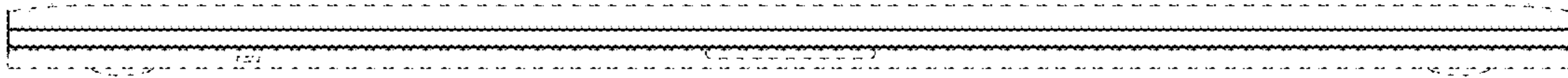


FIG.3

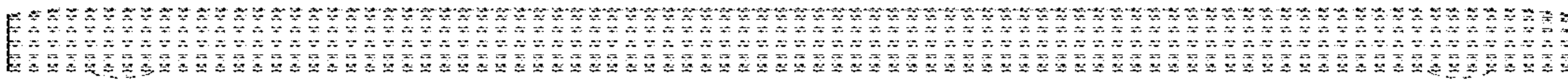


FIG.4

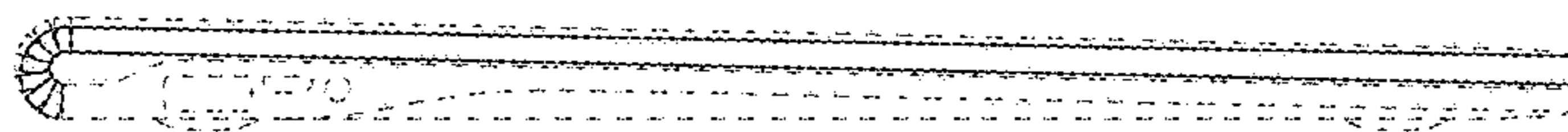


FIG.5

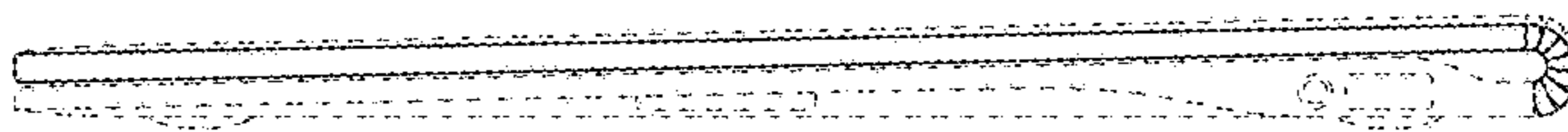


FIG.6



FIG.7



FIG.8

