



US00RE46786E

(19) **United States**
(12) **Reissued Patent**
Clough et al.

(10) **Patent Number: US RE46,786 E**
(45) **Date of Reissued Patent: Apr. 17, 2018**

(54) **EXFOLIATING DEVICE WITH COVER, AND ROLLER THEREFOR**

FOREIGN PATENT DOCUMENTS

(71) Applicant: **Reckitt Benckiser (Brands) Limited**,
Berkshire (GB)

DE 29710333 U1 9/1997
EM 000926845-0001 6/2008
EM 002540989-0009 10/2014

(72) Inventors: **Richard Clough**, Warwick (GB);
Darren Morgan, Berkshire (GB);
Mohammed Chopdat, Hull (GB);
Michael Liang, Dongguan (CN);
Victoria Perrin, Hull (GB)

OTHER PUBLICATIONS

Panasonic Japan Keratin Remover Peeling ES-WE20, listed on Amazon website on Jan. 5, 2014 at (http://www.amazon.com/Panasonic-Keratin-Remover-Peeling-ES-WE20/dp/B003AM7C8S/ref=sr_1_15?ie=UTF8&qid=1420469797&sr=8-15&keywords=panasonic+ES-WE20), believed available on Amazon in Japan in Mar. 2010.

(73) Assignee: **Reckitt Benckiser (Brands) Limited**,
Slough (GB)

(Continued)

(21) Appl. No.: **29/513,660**

Primary Examiner — Philip S Hyder

(22) Filed: **Jan. 5, 2015**

(74) *Attorney, Agent, or Firm* — Troutman Sanders LLP;
Ryan Schneider; Chris Davis

Related U.S. Patent Documents

Reissue of:

(64) Patent No.: **Des. 706,982**
Issued: **Jun. 10, 2014**
Appl. No.: **29/461,268**
Filed: **Jul. 19, 2013**

(57) **CLAIM**

The ornamental design for [a depilatory] *an exfoliating device with cover, and roller therefor*, as shown and described.

(30) **Foreign Application Priority Data**

Jan. 23, 2013 (EM) 002171074-0002
(51) **LOC (11) Cl.** **28-03**
(52) **U.S. Cl.**
USPC **D28/44.1**
(58) **Field of Classification Search**
USPC D28/57–59, 44–44.1; D24/146, 133;
D11/1; D21/487, 362, 662, 694, 681,
D21/682, 684; D25/126

DESCRIPTION

FIG. 1 is a front perspective view of [a depilatory device with cover] *an exfoliating device with cover, and roller therefor*, according to the present invention;
FIG. 2 is a front view of the [depilatory] *exfoliating device with cover* of FIG. 1;
FIG. 3 is a back view of the [depilatory] *exfoliating device with cover* of FIG. 1;
FIG. 4 is a side view of the [depilatory] *exfoliating device with cover* of FIG. 1;
FIG. 5 is the other side view of the [depilatory] *exfoliating device with cover* of FIG. 1;
FIG. 6 is a top view of the [depilatory] *exfoliating device with cover* of FIG. 1; [and,]
FIG. 7 is a bottom view of the [depilatory] *exfoliating device with cover* of FIG. 1[.];
FIG. 8 is a front perspective view of the roller portion of the exfoliating device with cover, and roller therefor, of FIG. 1;

(Continued)

(56) **References Cited**

U.S. PATENT DOCUMENTS

616,746 A 12/1898 Taylor
920,432 A 5/1909 Coffin
(Continued)

(Continued)

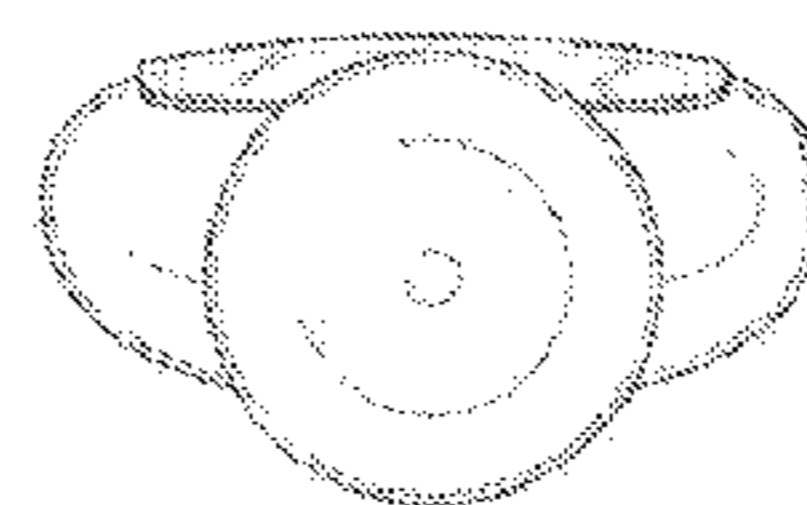
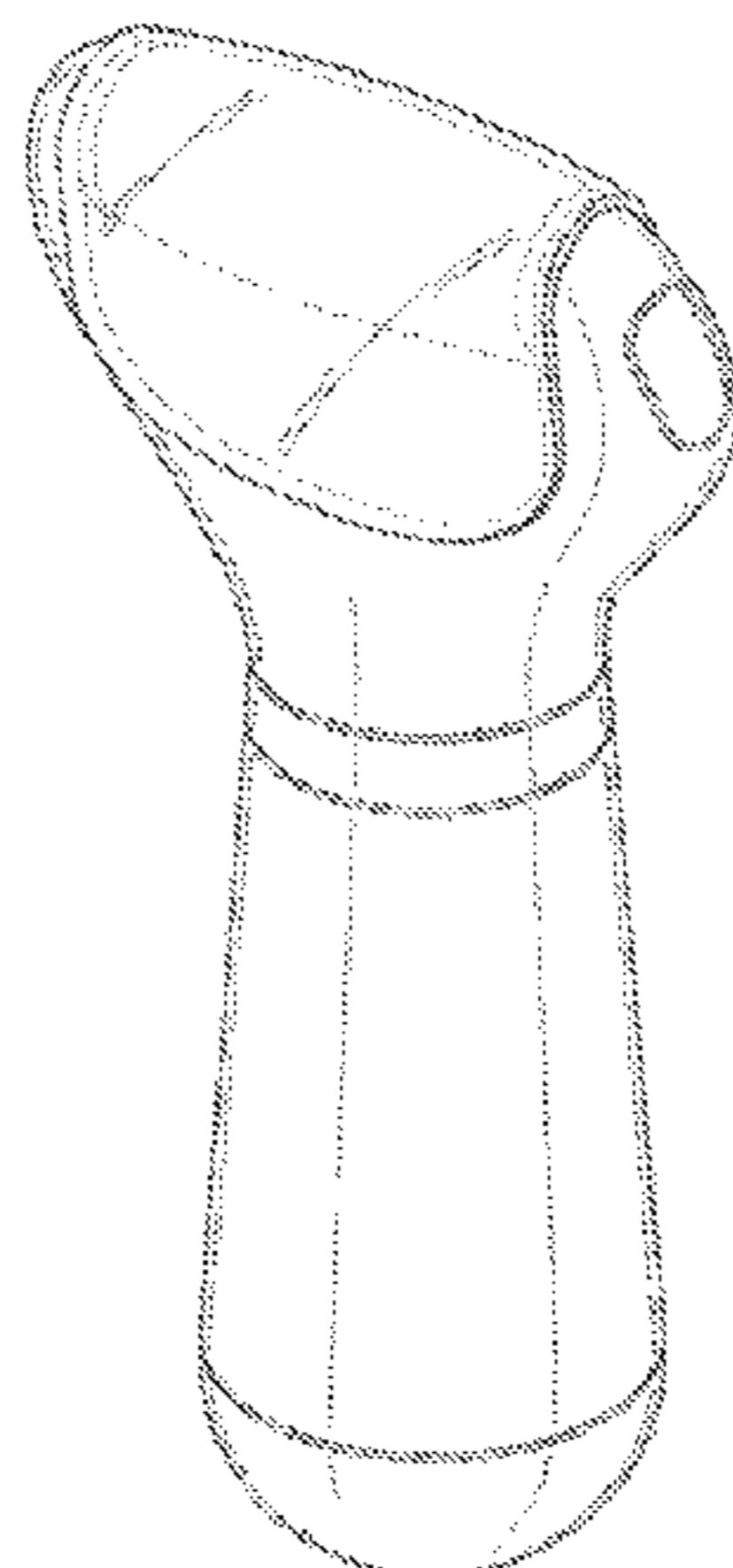


FIG. 9 is a front view of the roller of FIG. 8;
 FIG. 10 is a back view of the roller of FIG. 8;
 FIG. 11 is a side view of the roller of FIG. 8;
 FIG. 12 is the other side view of the roller of FIG. 8;
 FIG. 13 is a top view of the roller of FIG. 8; and,
 FIG. 14 is a bottom view of the roller of FIG. 8.
 The broken line showing the exfoliating device is for environmental purposes only and is not considered part of the claimed design.

1 Claim, 6 Drawing Sheets

Matter enclosed in heavy brackets [] appears in the original patent but forms no part of this reissue; matter printed in italics indicates the additions made by reissue.

(58) **Field of Classification Search**

CPC A61B 17/54; A61B 2017/00398; A61B 2017/00889

See application file for complete search history.

(56) **References Cited**

U.S. PATENT DOCUMENTS

2,508,812	A	5/1950	Burger	
2,867,214	A	1/1959	Wilson	
D234,156	S	1/1975	Lane	
D269,641	S *	7/1983	Mann	D28/51
D290,527	S *	6/1987	Thorogood	D28/10
4,773,784	A *	9/1988	Mann	401/1
D300,958	S *	5/1989	Moore	D28/7
5,491,526	A	2/1996	Shimizu	
D395,564	S	6/1998	Grosfillex	
D397,509	S *	8/1998	Shvadron	D28/10
5,803,636	A *	9/1998	Legrain et al.	401/1
D401,717	S *	11/1998	Grueber et al.	D34/29
D412,598	S *	8/1999	Gudefin	D28/44.1
D414,875	S	10/1999	Sirois et al.	
6,039,482	A *	3/2000	Smal	401/1

D423,178	S *	4/2000	Specht	D34/29
6,170,648	B1	1/2001	Coxon et al.	
6,227,711	B1	5/2001	Kellström et al.	
6,310,278	B1	10/2001	Butler	
6,409,010	B1	6/2002	Leon	
6,595,450	B2	7/2003	Asano et al.	
6,630,058	B2	10/2003	Muraoka	
7,060,119	B1	6/2006	Haider	
D541,473	S *	4/2007	Lamason et al.	D28/44.1
7,644,589	B2 *	1/2010	Habatjou	62/60
D654,220	S *	2/2012	Cole	D28/45
8,226,662	B2 *	7/2012	Song	606/131
D681,277	S *	4/2013	Yiu	D28/59
D683,067	S	5/2013	Wanders	
D686,370	S *	7/2013	Yiu	D28/59
D688,338	S	8/2013	Bisson	
D692,181	S *	10/2013	Yiu	D28/53
8,616,544	B2	12/2013	Katayama et al.	
D718,182	S	11/2014	Woltz	
2002/0107527	A1	8/2002	Burres	
2003/0002912	A1 *	1/2003	Morpeth	401/208
2004/0254587	A1	12/2004	Park	
2007/0143968	A1	6/2007	Tseng	
2008/0092338	A1	4/2008	Wu	
2009/0209977	A1 *	8/2009	Rogatschnig	606/133
2010/0239356	A1 *	9/2010	Caulier	401/157
2012/0226289	A1	9/2012	Yiu	

OTHER PUBLICATIONS

Refill Roller for Panasonic Japan Keratin Remover Peeling ES-WE20, listed on Amazon website on Jan. 5, 2014 at (http://www.amazon.com/Panasonic-Keratin-Remover-Peeling-ES-WE20/dp/B003AM7C8S/ref=sr_1_15?ie=UTF8&qid=1420469797&sr=8-15&keywords=panasonic+ES-WE20), believed available on Amazon in Japan in Mar. 2010.
 International Search Report for PCT/GB2014/050304 dated Jun. 6, 2014.
 Amopé Pedi Perfect Electronic Pedicure Foot File, listed on Amazon website on Feb. 17, 2015 at (http://www.amazon.com/Amop%C3%A9-Pedi-Perfect-Electronic-Pedicure/dp/B00LE99PA2/ref=sr_1_1?ie=UTF8&qid=1422882188&sr=8-1&keywords=amop%C3%A9), believed available on Amazon in Jul. 2014.

* cited by examiner

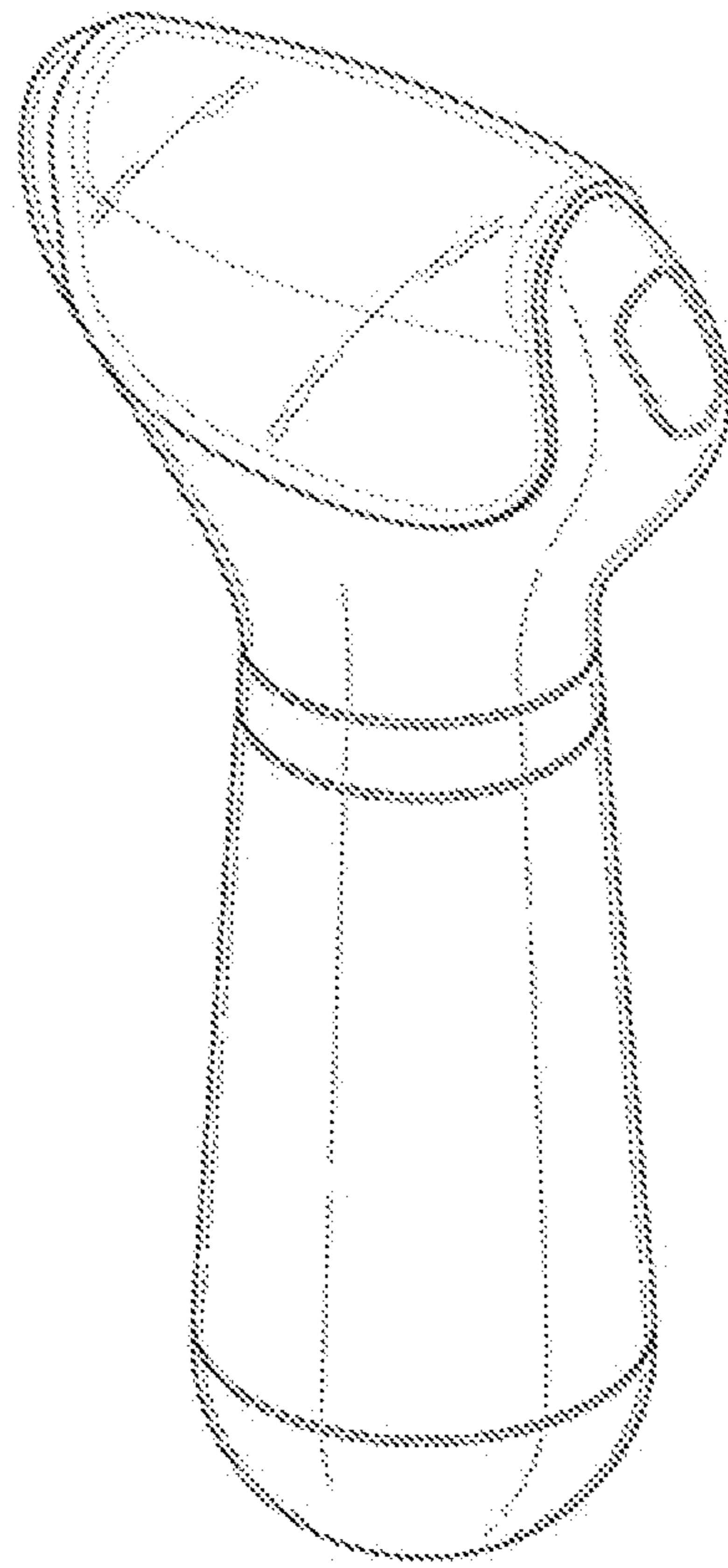


Fig. 1

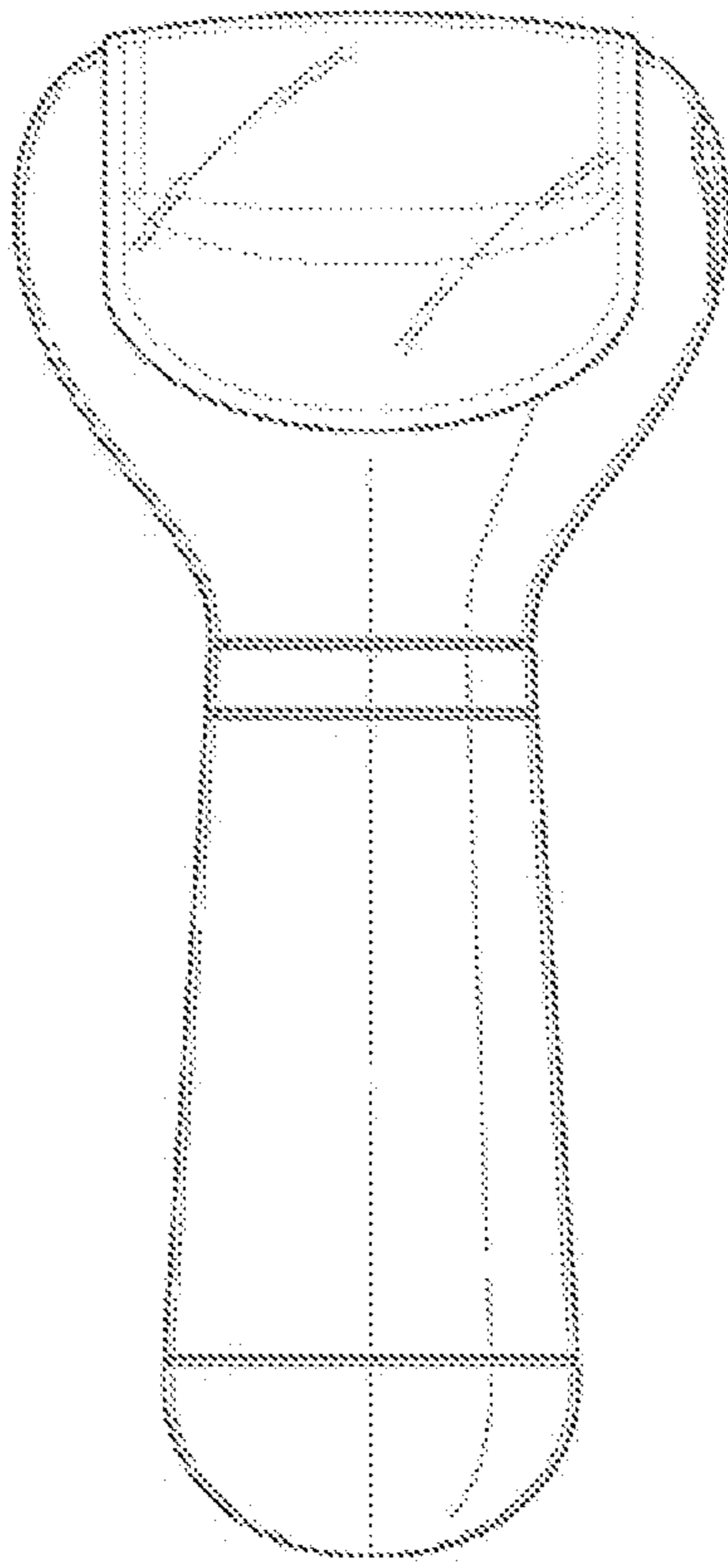


Fig. 2

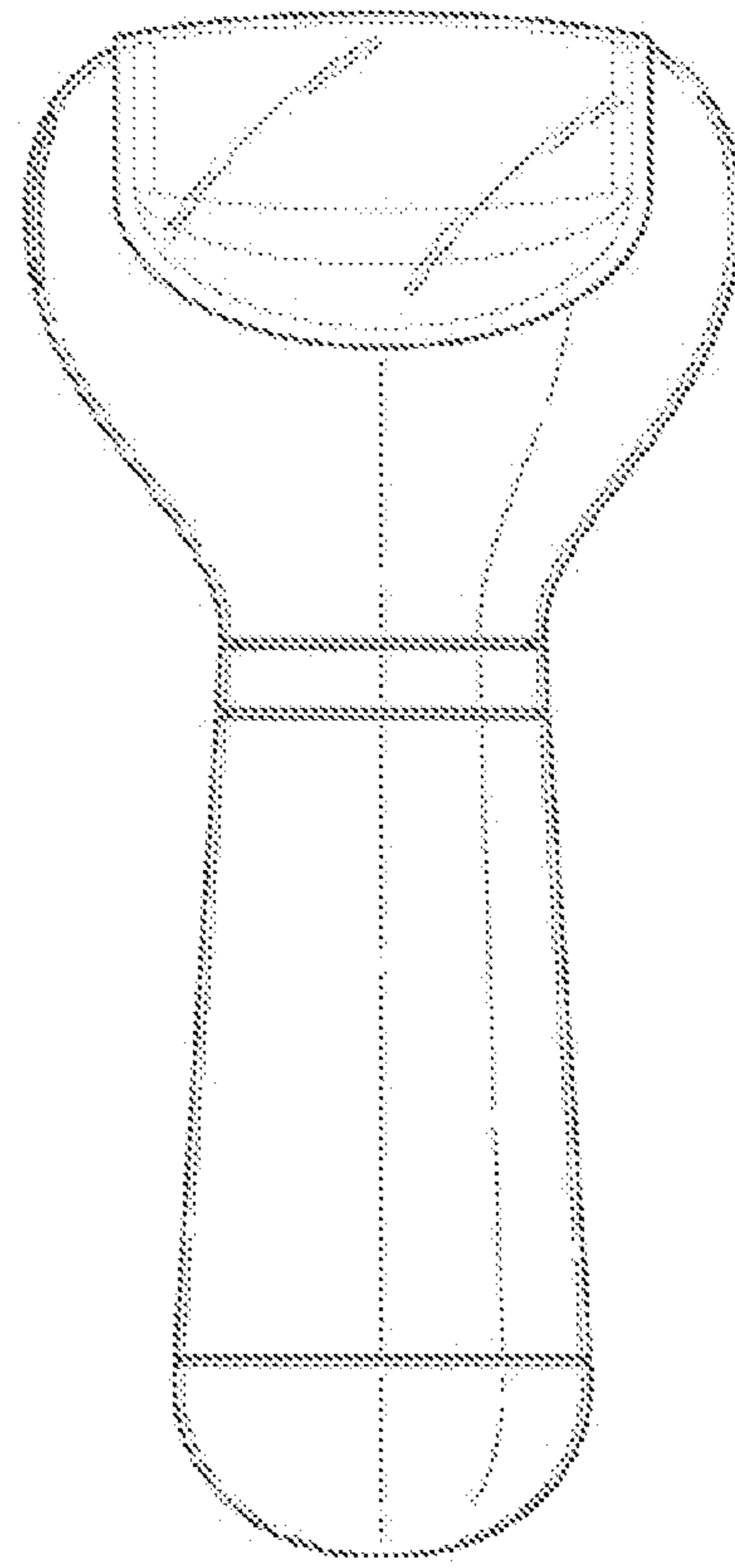


Fig. 3

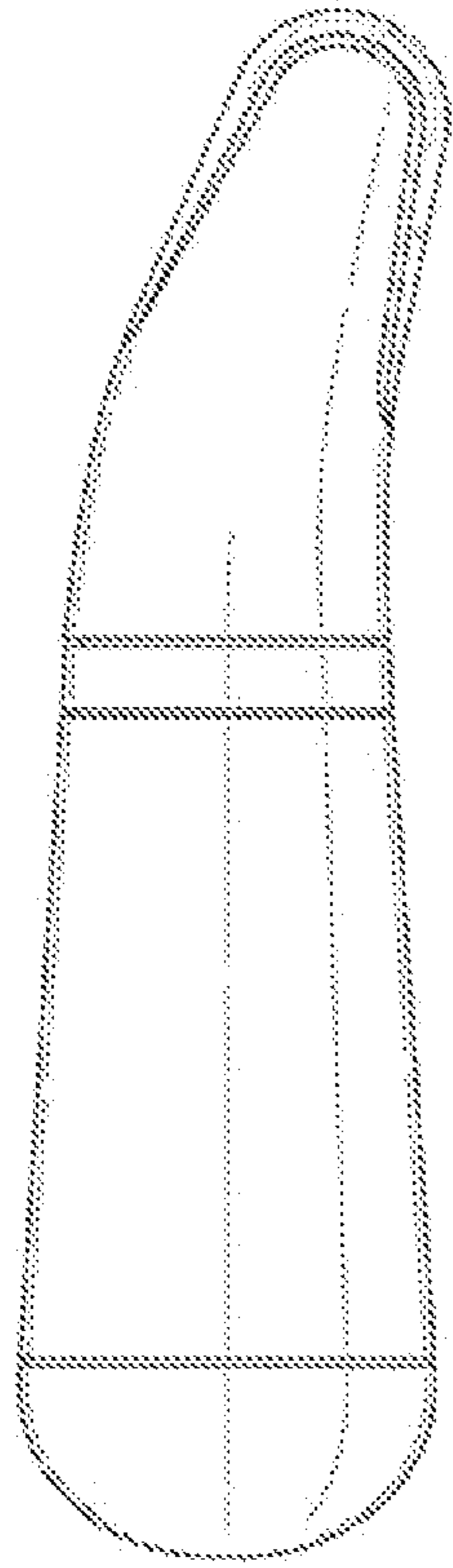


Fig. 4

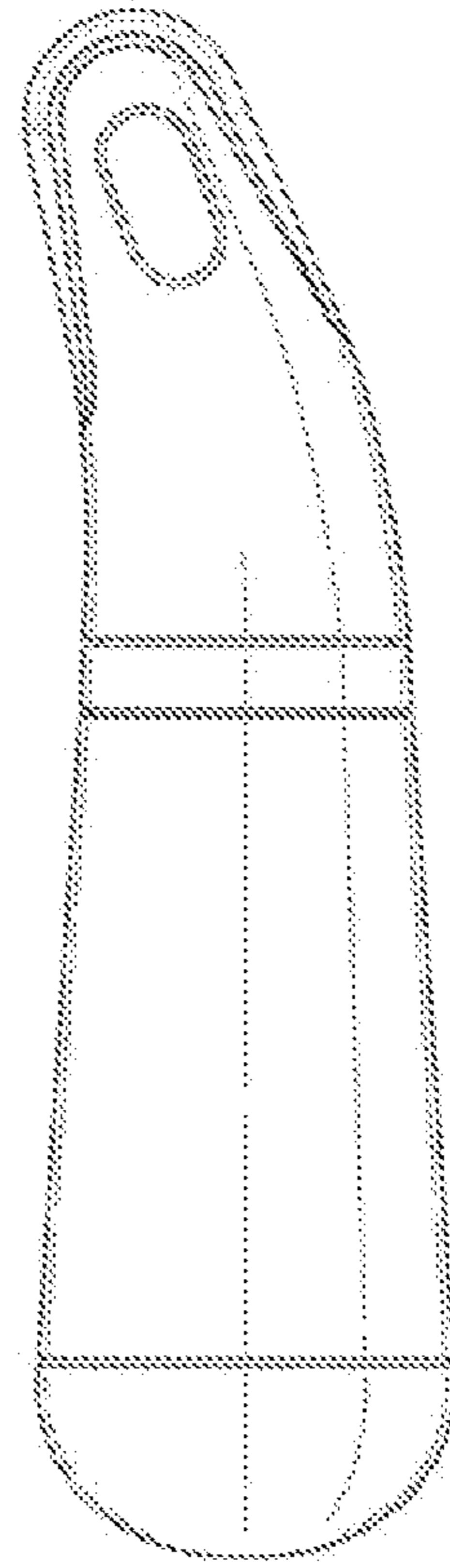


Fig. 5

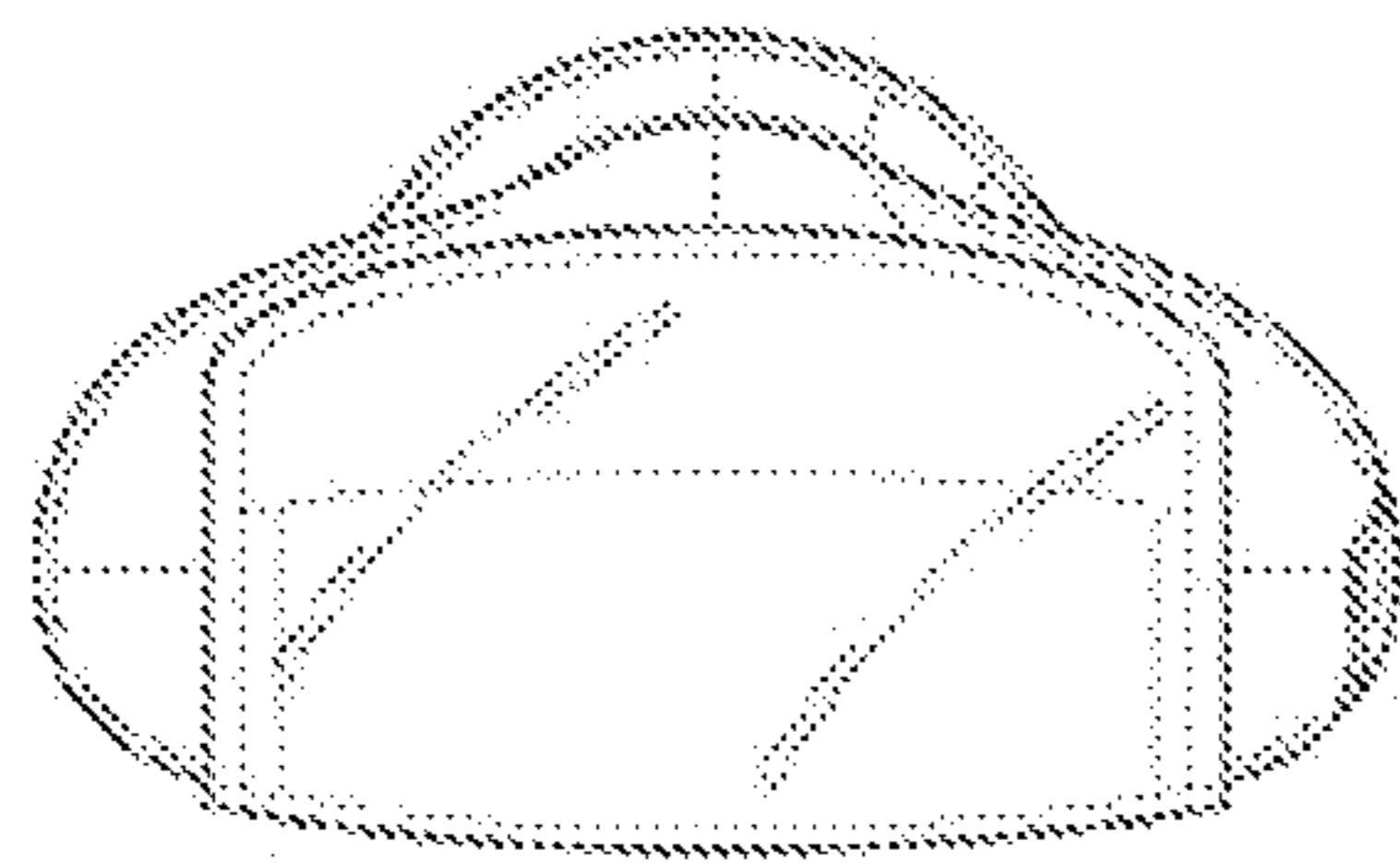


Fig. 6

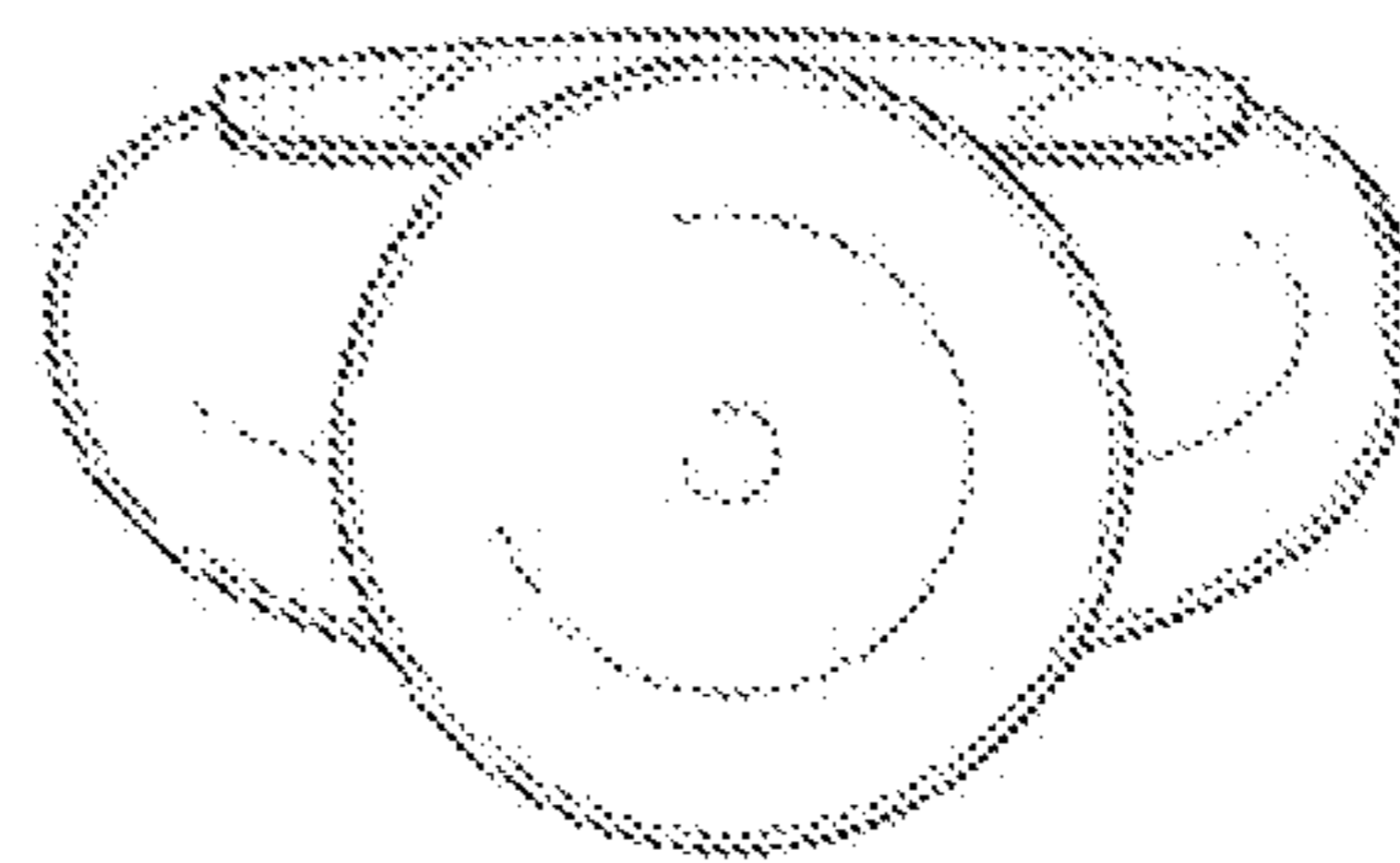


Fig. 7

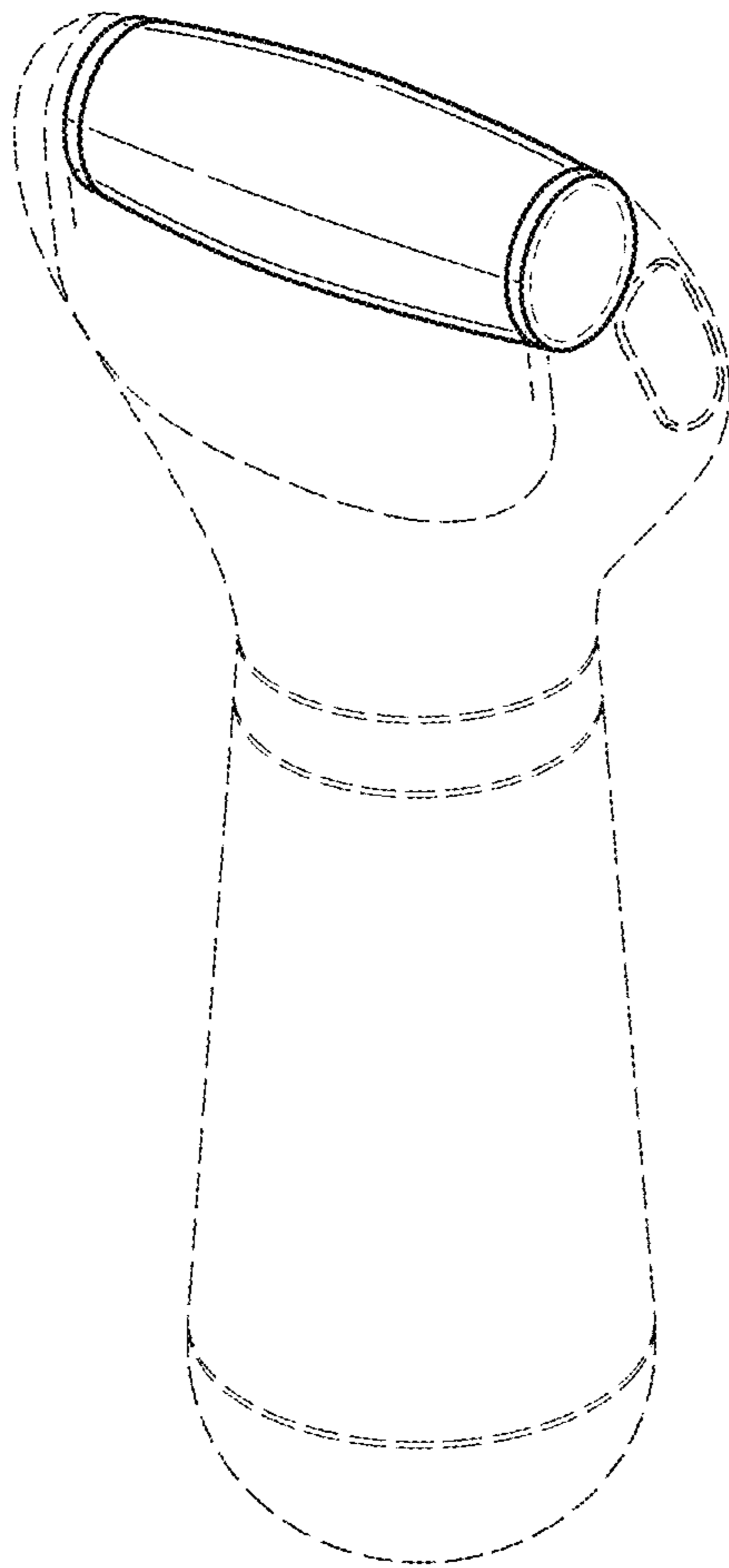


Fig. 8
(NEW)

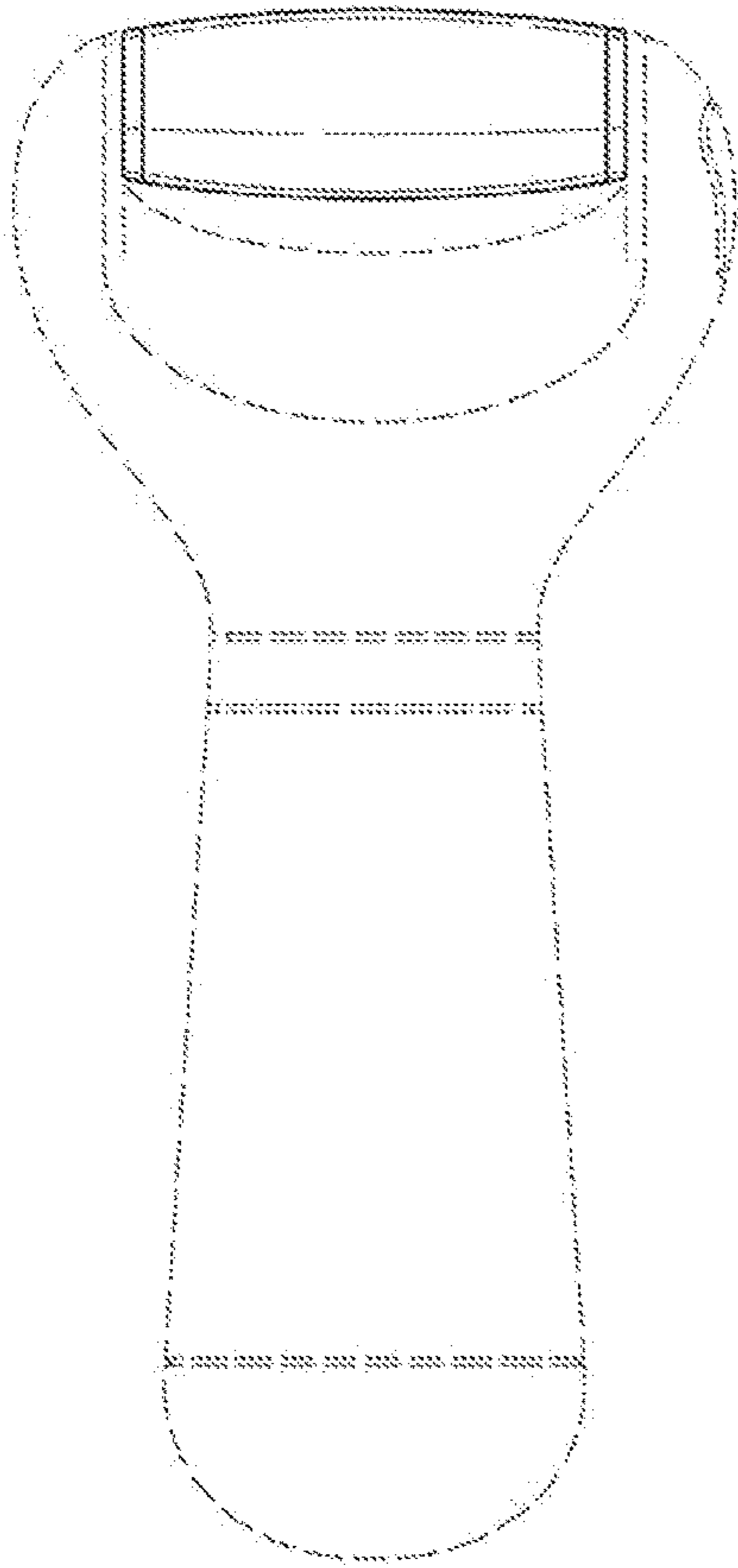


Fig. 9
(NEW)

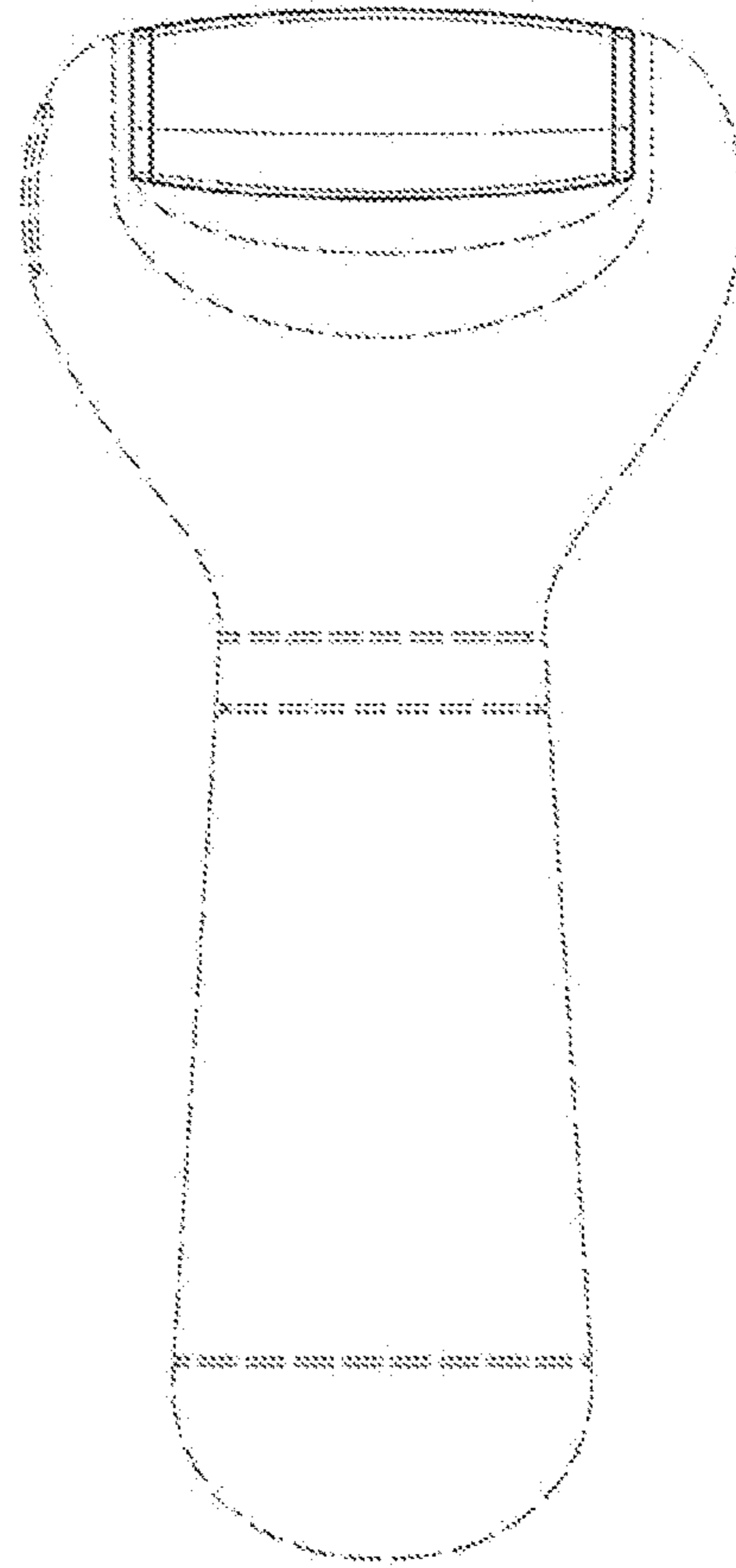


Fig. 10
(NEW)

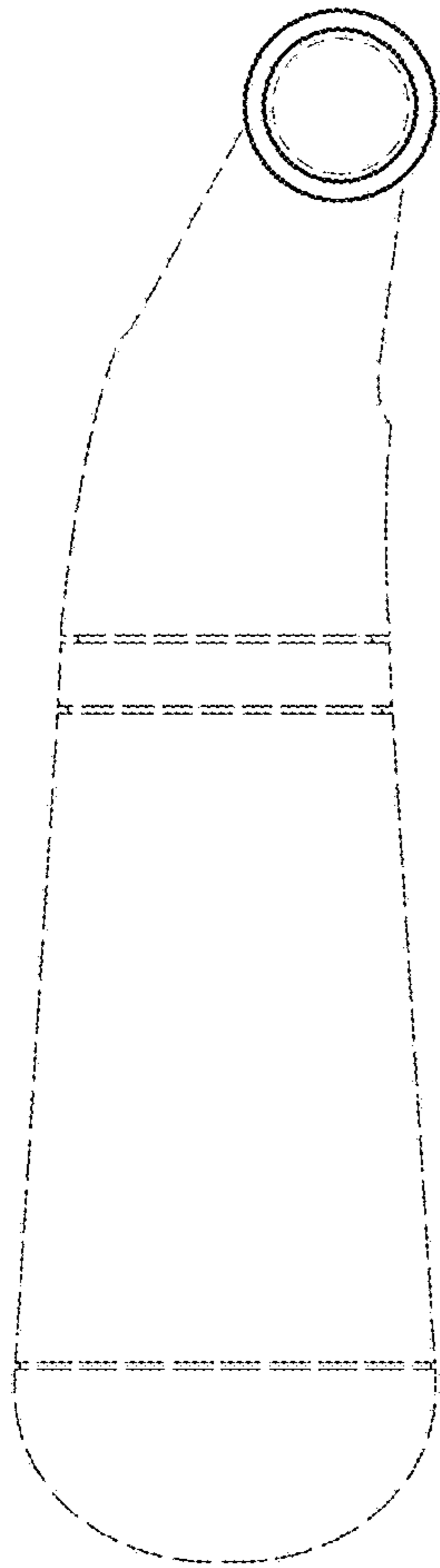


Fig. 11
(NEW)

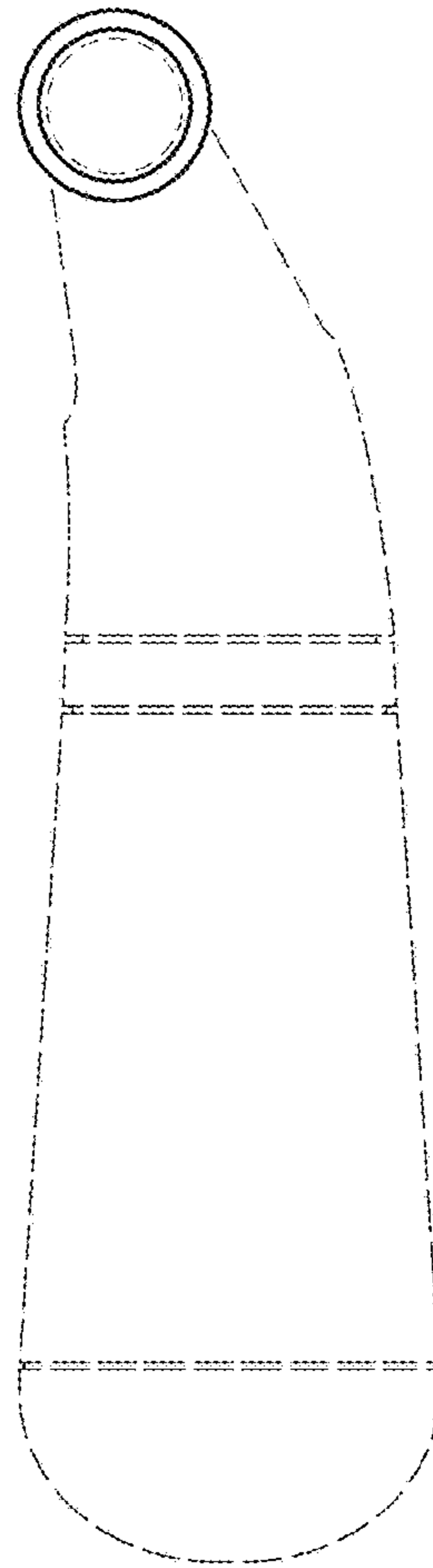


Fig. 12
(NEW)

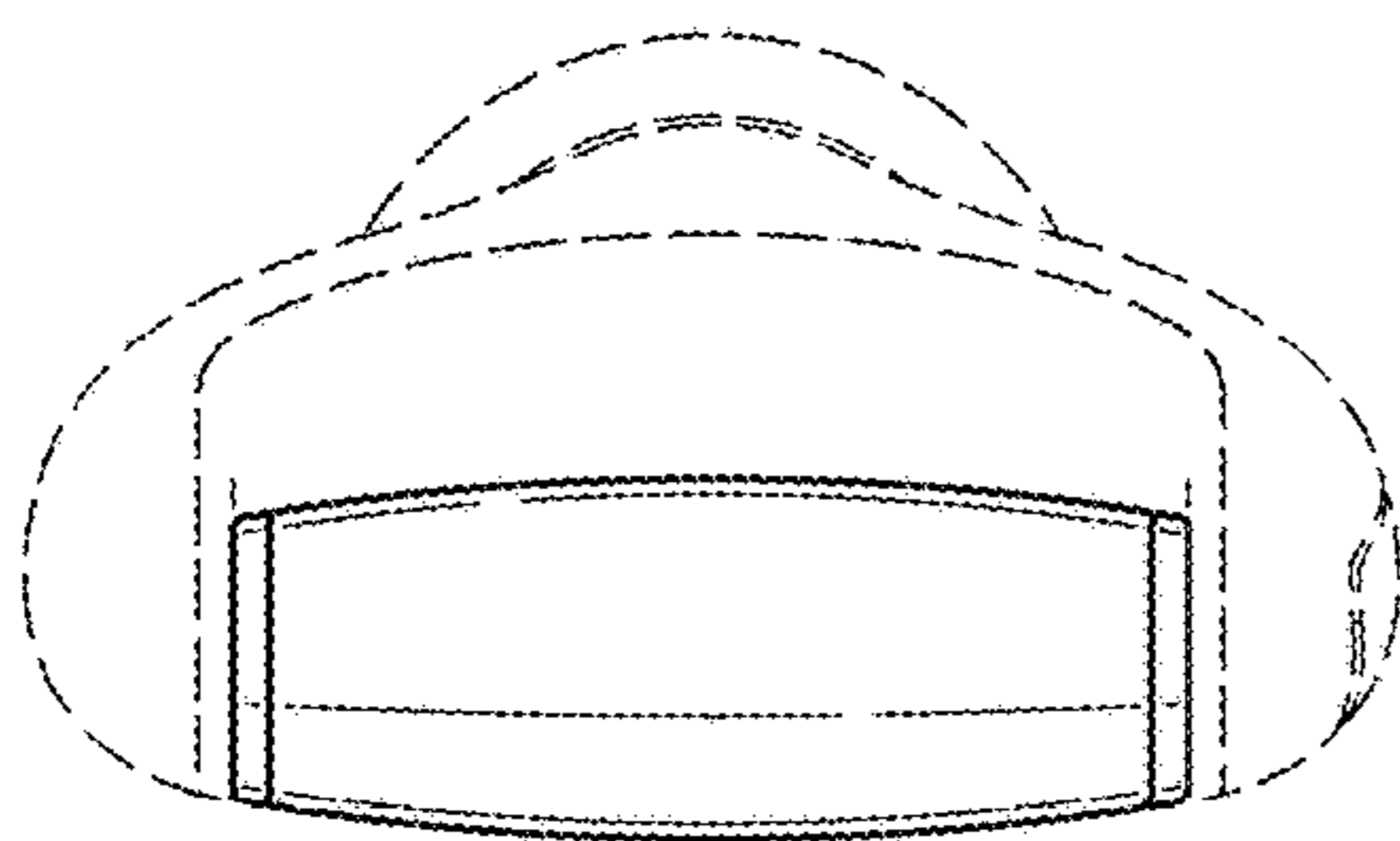


Fig. 13
(NEW)

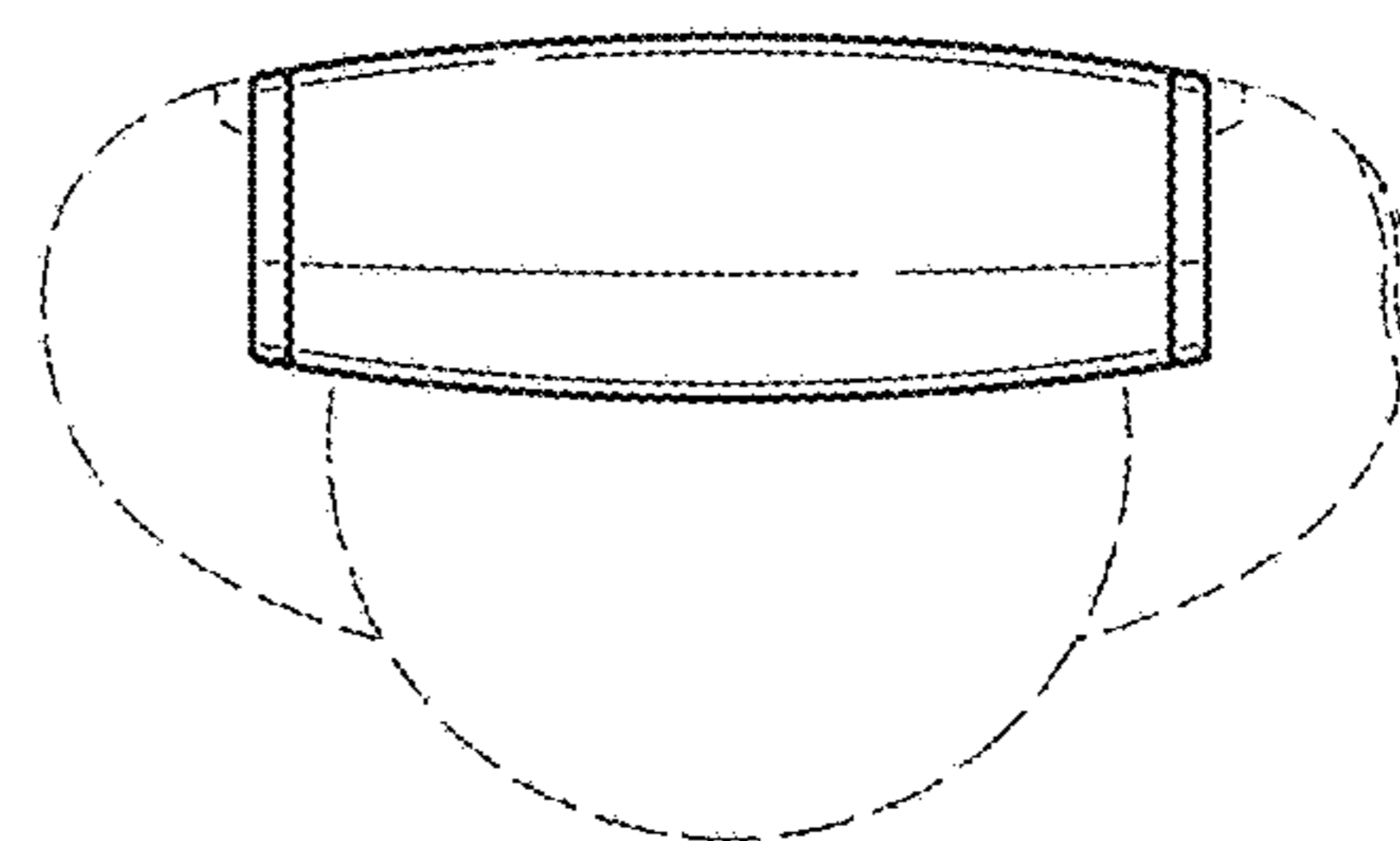


Fig. 14
(NEW)