



US00RE46778E

(19) **United States**
(12) **Reissued Patent**
Peron

(10) **Patent Number:** **US RE46,778 E**
(45) **Date of Reissued Patent:** **Apr. 10, 2018**

- (54) **MEDICAL DRESSING**
- (71) Applicant: **Smith & Nephew PLC**, London (GB)
- (72) Inventor: **Yannick Louis Peron**, East Yorkshire (GB)
- (73) Assignee: **Smith & Nephew PLC**, London (GB)
- (21) Appl. No.: **29/548,270**
- (22) Filed: **Dec. 11, 2015**

Related U.S. Patent Documents

Reissue of:

- (64) Patent No.: **Des. 679,820**
- Issued: **Apr. 9, 2013**
- Appl. No.: **29/389,783**
- Filed: **Apr. 15, 2011**

U.S. Applications:

- (62) Division of application No. 29/510,717, filed on Dec. 2, 2014, now Pat. No. Re. 46,289, which is an application for the reissue of Pat. No. Des. 679,820.

(30) **Foreign Application Priority Data**

- Oct. 15, 2010 (GB) 4017442
- Oct. 15, 2010 (GB) 4017443

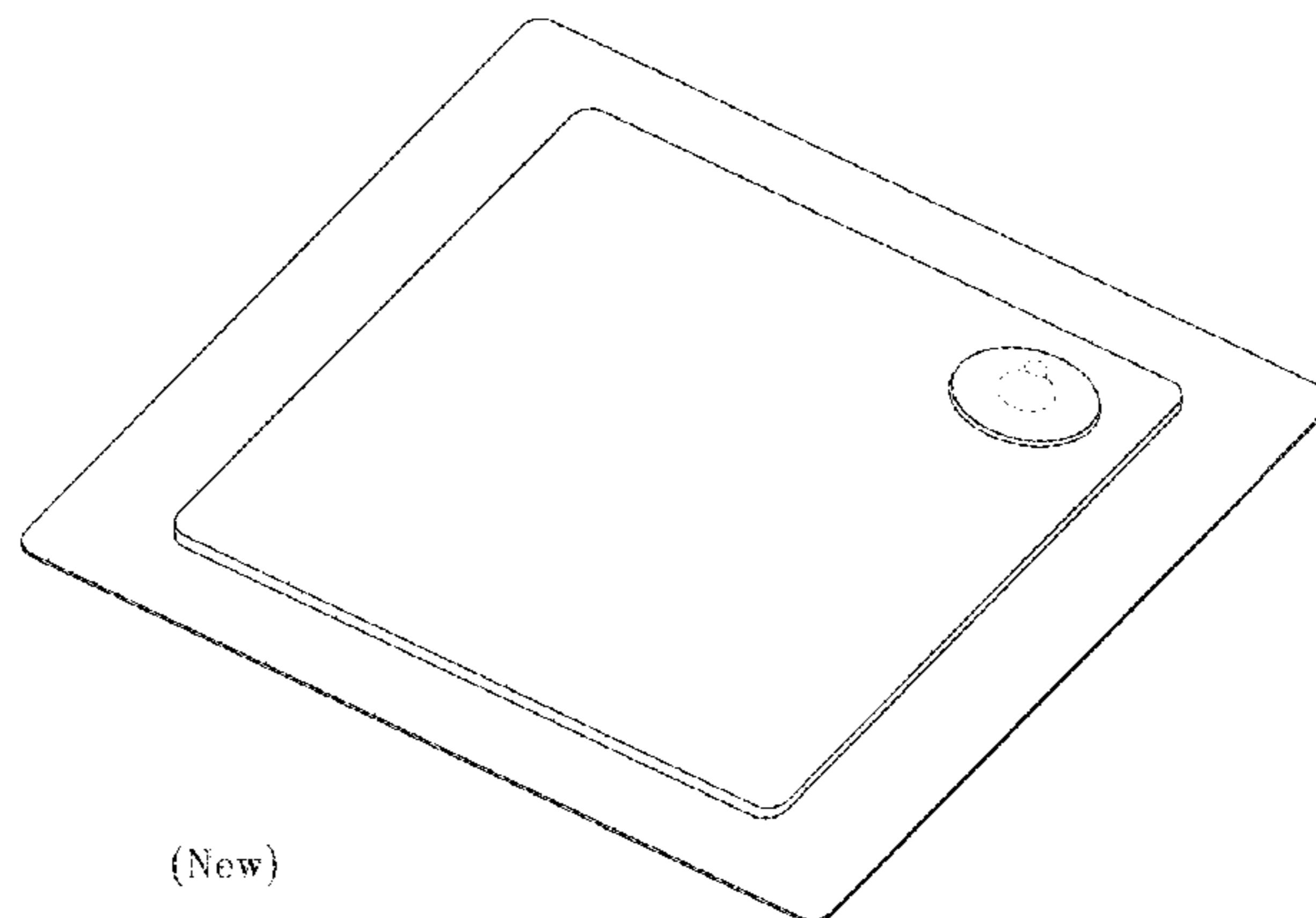
- (51) **LOC (11) Cl.** **24-04**
- (52) **U.S. Cl.**
USPC **D24/189**
- (58) **Field of Classification Search**
USPC D24/189; 424/447-449; 428/40.1, 43, 428/57, 139, 343, 352, 38; 602/41-47, 602/52, 58; 604/304, 306, 307
CPC A61F 13/02; A61M 1/009; A61M 27/00; A61M 1/0088
See application file for complete search history.

(56) **References Cited**

U.S. PATENT DOCUMENTS

- 2,613,696 A * 10/1952 MacIntyre 139/418
- 2,682,873 A 7/1954 Evans et al.

3,342,183 A *	9/1967	Edenbaum	604/307
D267,510 S *	1/1983	Golub	D24/189
4,564,010 A *	1/1986	Coughlan et al.	604/307
4,587,146 A *	5/1986	Anhauser et al.	428/42.2
4,627,429 A *	12/1986	Tsuk	604/307
D292,826 S *	11/1987	Sproles	D24/189
4,808,172 A *	2/1989	Murata	604/306
4,917,112 A *	4/1990	Kalt	A61F 13/023 128/888
5,052,381 A *	10/1991	Gilbert et al.	602/52
5,056,510 A *	10/1991	Gilman	602/52
5,176,663 A	1/1993	Svedman et al.	
5,266,371 A *	11/1993	Sugii et al.	428/41.5
D352,782 S *	11/1994	Kirk et al.	D24/189
D357,742 S *	4/1995	Peery et al.	D24/189
5,437,651 A	8/1995	Todd et al.	
D362,505 S *	9/1995	Fabricant	D24/189
D369,907 S *	5/1996	Sayovitz et al.	D5/53
D370,127 S *	5/1996	Bonaddio et al.	D5/58
D372,098 S *	7/1996	Lattin et al.	D24/189
5,549,584 A	8/1996	Gross	
5,636,643 A	6/1997	Argenta et al.	
5,645,081 A	7/1997	Argenta et al.	
D382,343 S *	8/1997	Wandell et al.	D24/189
D384,745 S *	10/1997	Lattin et al.	D24/189
D385,038 S *	10/1997	Shultz	D24/189
D389,581 S *	1/1998	Fein	D24/189
5,998,694 A *	12/1999	Jensen et al.	602/57
D424,699 S *	5/2000	Allen	D24/189
6,071,267 A	6/2000	Zamierowski	
6,142,982 A	11/2000	Hunt et al.	
6,345,623 B1	2/2002	Heaton et al.	
D477,086 S *	7/2003	Tsuruda et al.	D24/189
6,648,862 B2	11/2003	Watson	
6,685,681 B2	2/2004	Lockwood et al.	
6,752,794 B2	6/2004	Lockwood et al.	
D495,056 S *	8/2004	Watanabe	D24/189
6,936,037 B2	8/2005	Bubb et al.	
D509,299 S *	9/2005	Watanabe	D24/189
6,951,553 B2	10/2005	Bubb et al.	
7,004,915 B2	2/2006	Boynton et al.	
7,108,683 B2	9/2006	Zamierowski	
7,195,624 B2	3/2007	Lockwood et al.	
D571,922 S *	6/2008	Freeland	D24/189
7,381,859 B2	6/2008	Hunt et al.	
D572,367 S *	7/2008	Freeland	D24/189
D572,824 S *	7/2008	Propp	D24/189
D572,825 S *	7/2008	Freeland	D24/189
7,438,705 B2	10/2008	Karpowicz et al.	
7,569,742 B2	8/2009	Haggstrom et al.	
D600,354 S *	9/2009	Sachi	D24/189
D604,424 S *	11/2009	Coubetergues	D24/189
7,615,036 B2	11/2009	Joshi et al.	



(New)

D605,299	S *	12/2009	Iwahashi et al.	D24/189
7,645,269	B2	1/2010	Zamierowski	
D609,922	S *	2/2010	Bridges et al.	D5/53
7,722,582	B2	5/2010	Lina et al.	
D618,810	S *	6/2010	Tanigawa et al.	D24/189
D620,122	S *	7/2010	Cotton	D24/189
D620,123	S *	7/2010	Igwebuike	D24/189
7,759,537	B2	7/2010	Bishop et al.	
7,759,539	B2	7/2010	Shaw et al.	
7,772,582	B2	8/2010	Lina et al.	
7,776,028	B2	8/2010	Miller et al.	
7,779,625	B2	8/2010	Joshi et al.	
7,794,438	B2	9/2010	Henley et al.	
D625,017	S *	10/2010	Iwahashi et al.	D24/189
D625,018	S *	10/2010	Smith et al.	D24/189
D631,166	S *	1/2011	Leffew et al.	D24/189
7,959,624	B2	6/2011	Riesinger	
7,964,766	B2	6/2011	Blott et al.	
7,976,519	B2	7/2011	Bubb et al.	
D642,594	S	8/2011	Mattson et al.	
8,080,702	B2	12/2011	Blott et al.	
8,152,785	B2	4/2012	Vitaris	
8,361,043	B2 *	1/2013	Hu	A61F 5/4401 604/319
8,372,049	B2	2/2013	Jaeb et al.	
D679,819	S *	4/2013	Peron	D24/189
D679,820	S *	4/2013	Peron	D24/189
8,540,699	B2	9/2013	Miller et al.	
D705,428	S *	5/2014	Cheney	D24/169
D705,429	S *	5/2014	Cheney	D24/169
8,715,256	B2	5/2014	Greener	
8,764,732	B2	7/2014	Hartwell	
8,801,685	B2	8/2014	Armstrong et al.	
8,808,274	B2	8/2014	Hartwell	
D713,967	S *	9/2014	Adoni	D24/189
8,864,748	B2	10/2014	Coulthard et al.	
9,061,095	B2	6/2015	Adie et al.	
RE45,864	E	1/2016	Peron	
2004/0241214	A1	12/2004	Kirkwood et al.	
2006/0009744	A1	1/2006	Erdman et al.	
2008/0167593	A1	7/2008	Fleischmann	
2009/0227969	A1	9/2009	Jaeb et al.	
2009/0240185	A1	9/2009	Jaeb et al.	
2009/0281471	A1 *	11/2009	Iwahashi et al.	602/54
2009/0293887	A1	12/2009	Wilkes et al.	
2009/0299340	A1	12/2009	Kazala et al.	
2009/0299341	A1	12/2009	Kazala et al.	
2009/0312728	A1	12/2009	Randolph et al.	
2010/0069858	A1	3/2010	Olson	
2010/0069863	A1	3/2010	Olson	
2010/0069885	A1	3/2010	Stevenson et al.	
2010/0121286	A1	5/2010	Locke et al.	
2010/0122417	A1	5/2010	Vrzalik et al.	
2010/0125258	A1	5/2010	Coulthard et al.	
2010/0210986	A1	8/2010	Sanders	
2010/0268198	A1	10/2010	Buan et al.	
2010/0305490	A1	12/2010	Coulthard et al.	
2010/0305526	A1	12/2010	Robinson et al.	
2010/0305549	A1	12/2010	Miller et al.	
2010/0324510	A1	12/2010	Anderson et al.	
2011/0028918	A1	2/2011	Hartwell	
2011/0054421	A1	3/2011	Hartwell	
2011/0054423	A1	3/2011	Blott et al.	
2011/0087179	A2	4/2011	Blott et al.	
2011/0092927	A1	4/2011	Wilkes et al.	
2011/0106030	A1	5/2011	Scholz	
2011/0112492	A1	5/2011	Bharti et al.	
2011/0172615	A2	7/2011	Greener	

FOREIGN PATENT DOCUMENTS

EP	0 619 105	A1	10/1994
EP	2 098 257	A1	9/2009
EP	2 335 749	A1	6/2011
WO	WO 99/01173		1/1999
WO	WO 99/01173	A1	1/1999
WO	WO 01/85248		11/2001
WO	WO 01/85248	A1	11/2001
WO	WO 09/019227		2/2009

WO	WO 09/019229		2/2009
WO	WO 09/103031		8/2009
WO	WO 09/111657		9/2009
WO	WO 10/33574		3/2010
WO	WO 2010/033574	A1	3/2010
WO	WO 10/035017		4/2010
WO	WO 10/072395		7/2010
WO	WO 10/147533		12/2010
WO	WO 2010/147533	A1	12/2010
WO	WO 11/019476		2/2011
WO	WO 2011/019476	A1	2/2011
WO	WO 11/023275		3/2011
WO	WO 2011/023275	A1	3/2011

OTHER PUBLICATIONS

Allevyn Educational Booklet, Smith & Nephew Medical Ltd, Apr. 2014.
 Allevyn Wound Dressings Pamphlet, Smith & Nephew, Inc., 2008.
 KCI Licensing, Prevena™ Incision Management System, Jan. 2010.
 Teder et al., "Continuous Wound Irrigation in the Pig," Journal of Investigative Surgery, vol. 3, 1990, pp. 399-407.
 Design U.S. Appl. No. 29/551,890.
 U.S. Appl. No. 29/389,782, filed Apr. 15, 2011, Peron.
 U.S. Appl. No. 13/092,042, filed Apr. 21, 2011.
 KCI Licensing, Prevena™ Incision Management System Patient Guide, Jan. 2010.
 KCI, Prevena™ Incision Management System Clinician Guide, Jan. 2010.

* cited by examiner

Primary Examiner — Darlington Ly
 (74) *Attorney, Agent, or Firm* — Knobbe, Martens, Olson & Bear LLP

(57) CLAIM

The ornamental design for a medical dressing, as shown and described.

DESCRIPTION

The present application is a divisional reissue application of U.S. Reissue application Ser. No. 29/510,717, filed Dec. 2, 2014, which is an application for reissue of U.S. Design Pat. No. D679,820 S, filed Apr. 15, 2011, which claims priority to United Kingdom Design Registration No. 4017442, filed Oct. 15, 2010, and United Kingdom Design Registration No. 4017443, filed Oct. 15, 2010.

FIG. 1 is a perspective top view of one embodiment of a medical dressing.

FIG. 2 is another perspective top view of the medical dressing of FIG. 1.

FIG. 3 is a top plan view of the medical dressing of FIG. 1.

FIG. 4 is a bottom view of the medical dressing of FIG. 1.

FIG. 5 is a far side view of the medical dressing of FIG. 1.

FIG. 6 is near side view of the medical dressing of FIG. 1.

FIG. 7 is a front view of the medical dressing of FIG. 1; and,

FIG. 8 is a rear view of the medical dressing of FIG. 1.

FIG. 9 is a top, right-side, and front perspective view of a medical dressing.

FIG. 10 is a top, right-side, and rear perspective top view of the medical dressing of FIG. 9.

FIG. 11 is a top plan view of the medical dressing of FIG. 9.

FIG. 12 is a bottom plan view of the medical dressing of FIG. 9.

FIG. 13 is a left side elevation view of the medical dressing of FIG. 9.

FIG. 14 is a right side elevation view of the medical dressing of FIG. 9.

FIG. 15 is a front elevation view of the medical dressing of FIG. 9; and,

FIG. 16 is a rear elevation view of the medical dressing of FIG. 9.

The broken lines in the drawings illustrate portions of the medical dressing that form no part of the claimed design.

1 Claim, 16 Drawing Sheets

Matter enclosed in heavy brackets [] appears in the original patent but forms no part of this reissue; matter printed in italics indicates the additions made by reissue.

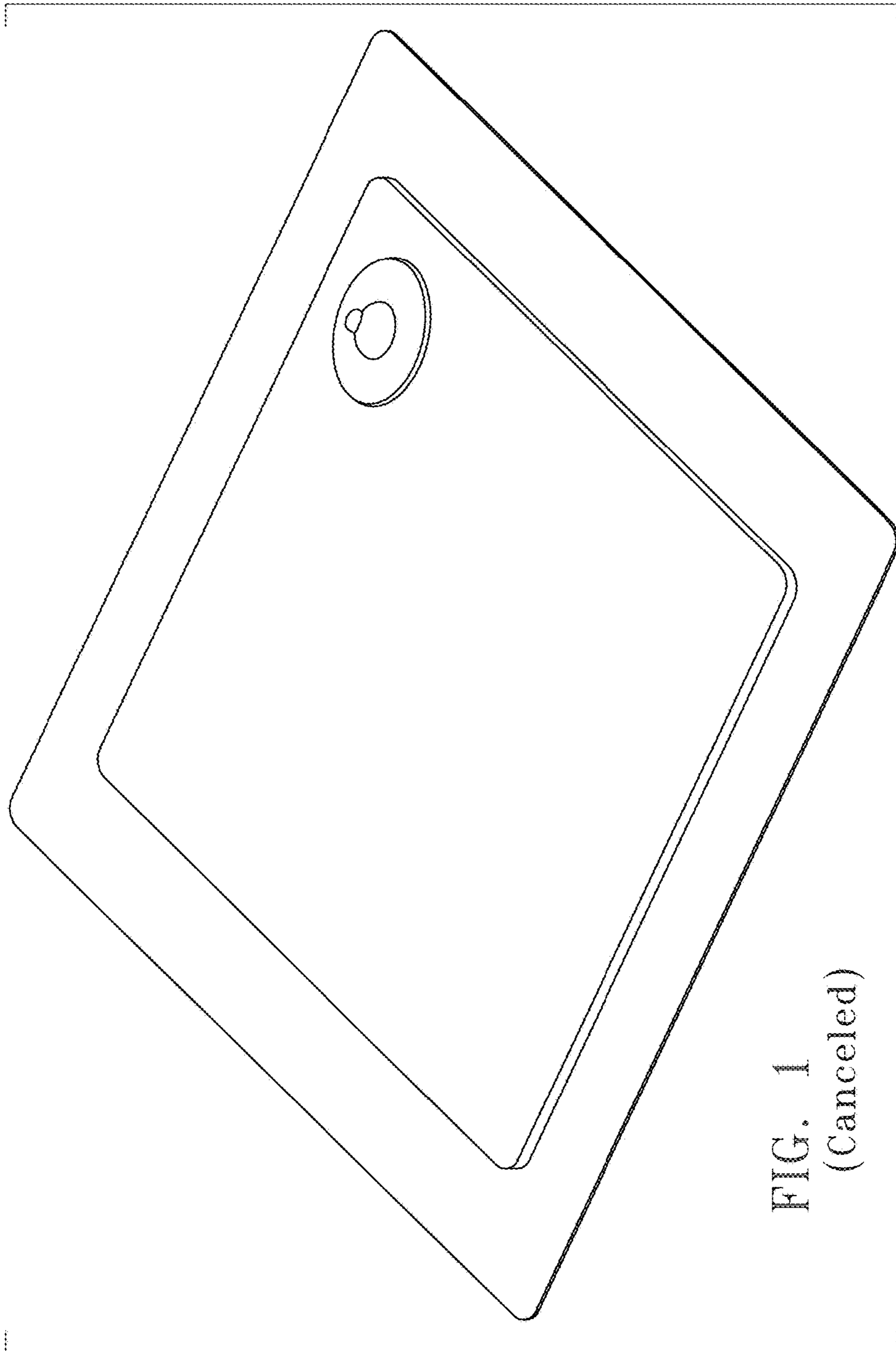


FIG. 1
(Canceled)

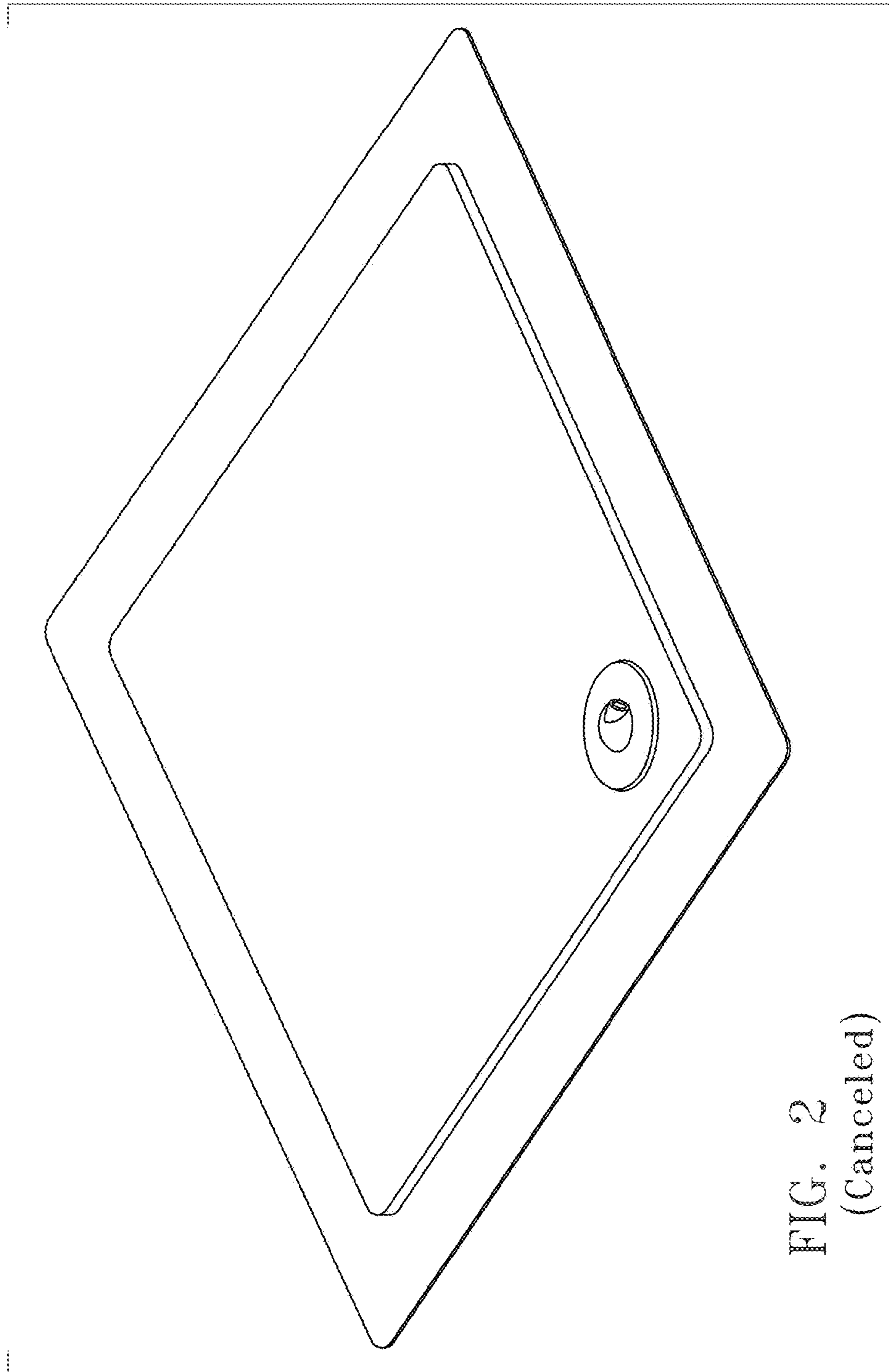


FIG. 2
(Canceled)

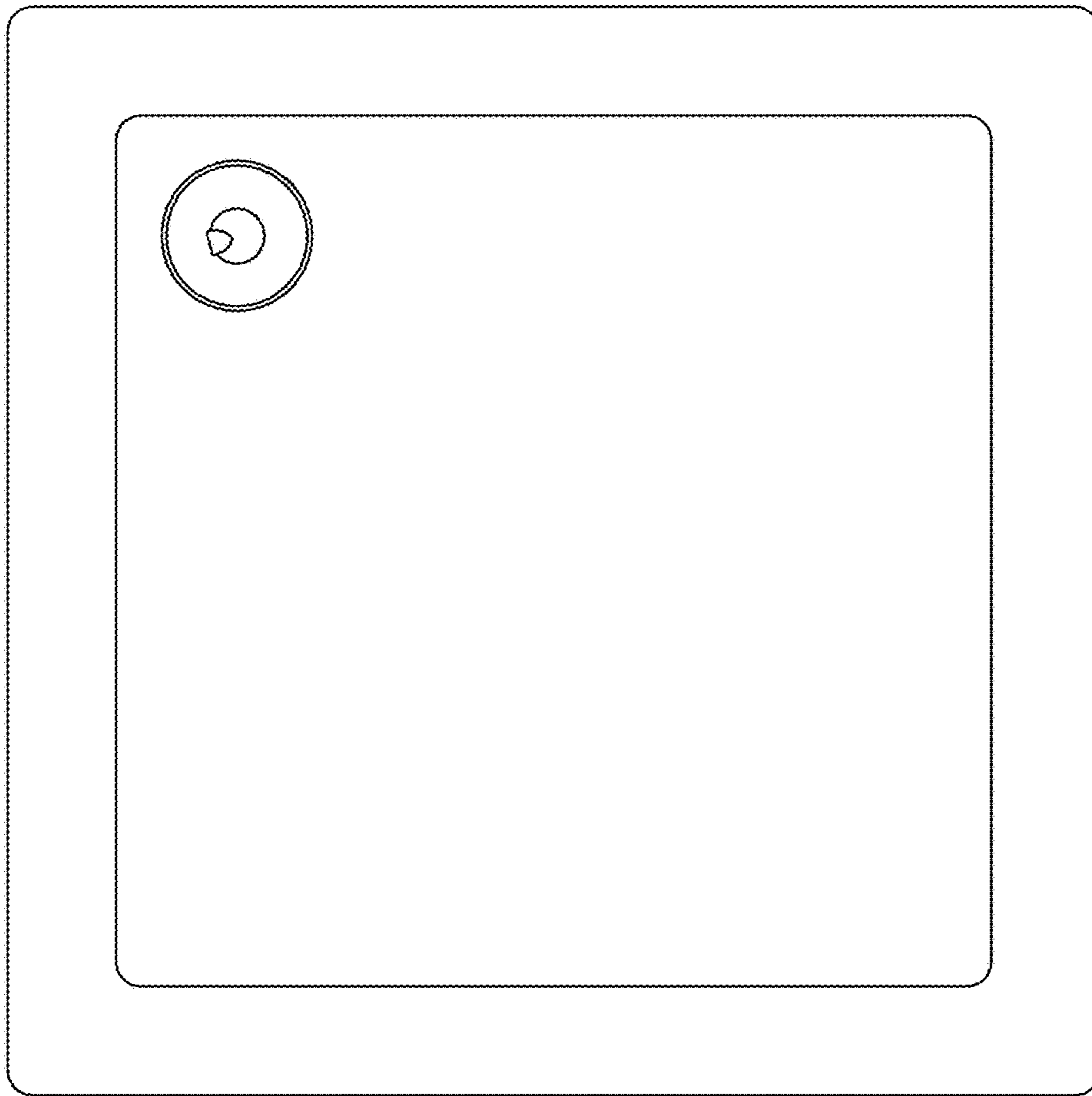


FIG. 3
(Canceled)

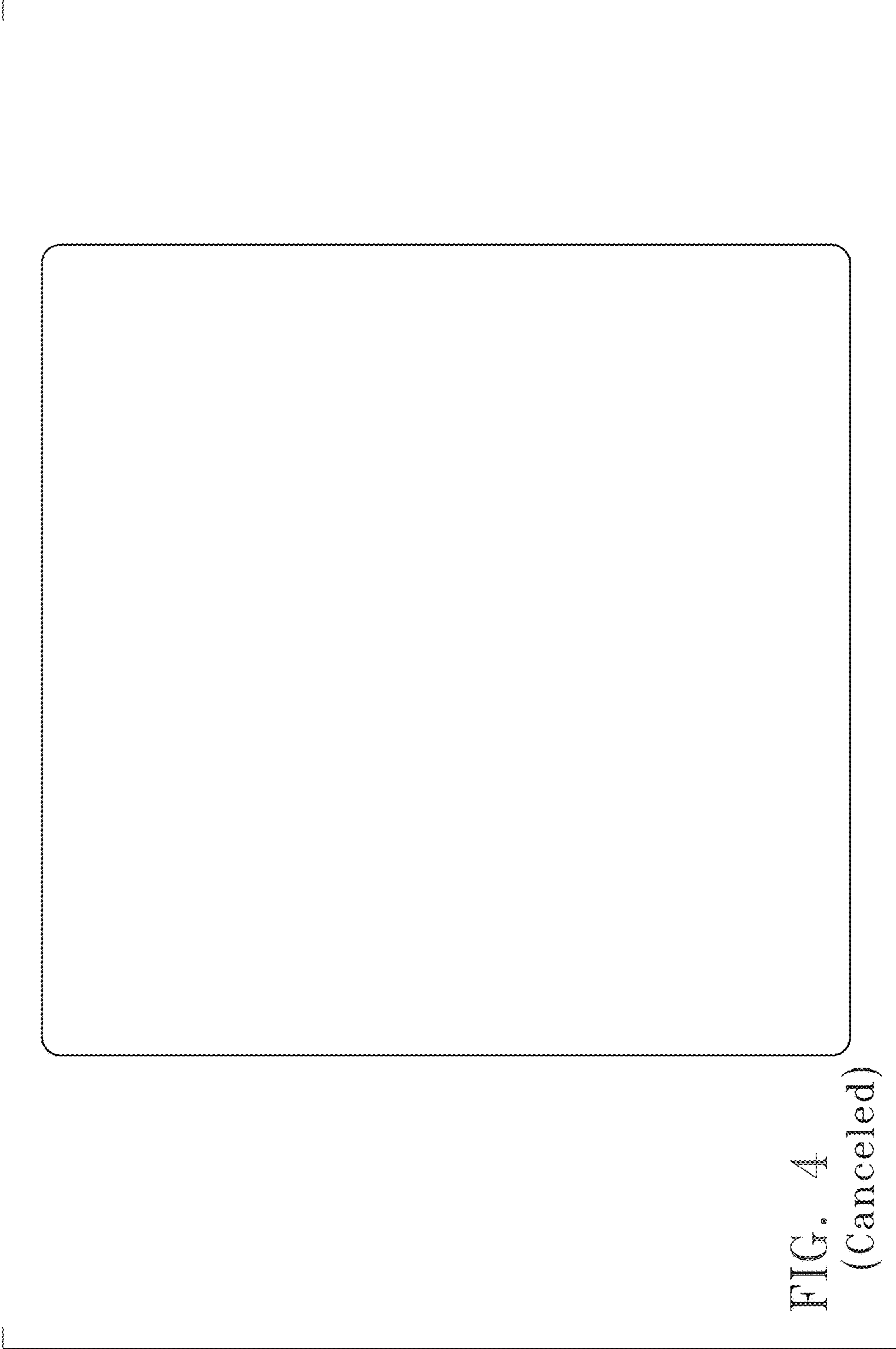


FIG. 4
(Canceled)

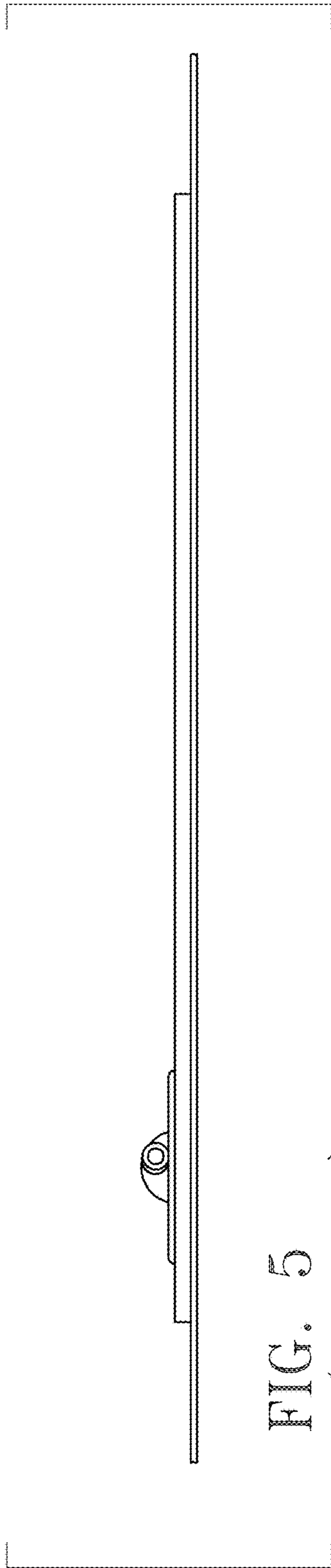


FIG. 5
(Canceled)

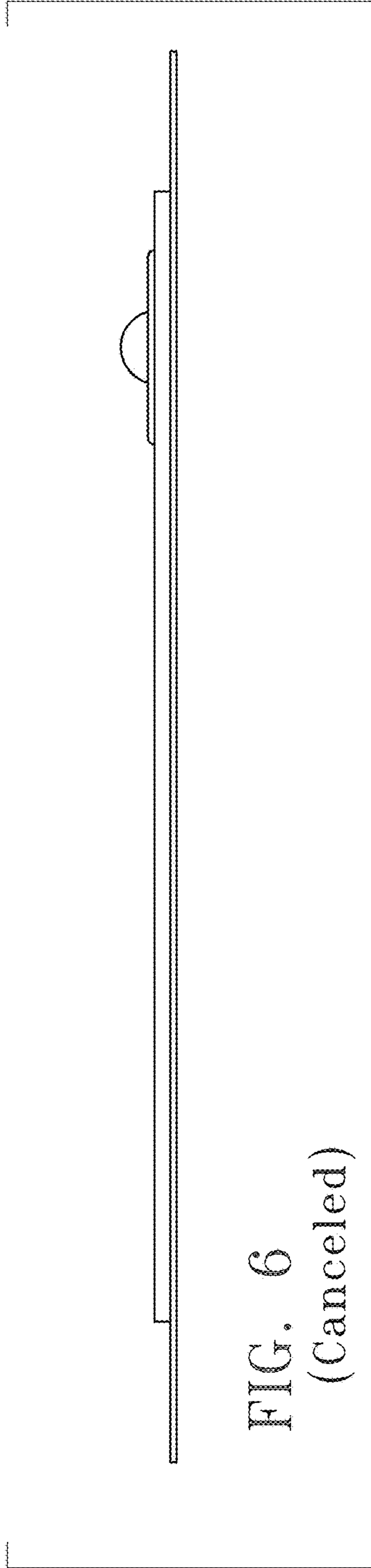


FIG. 6
(Canceled)

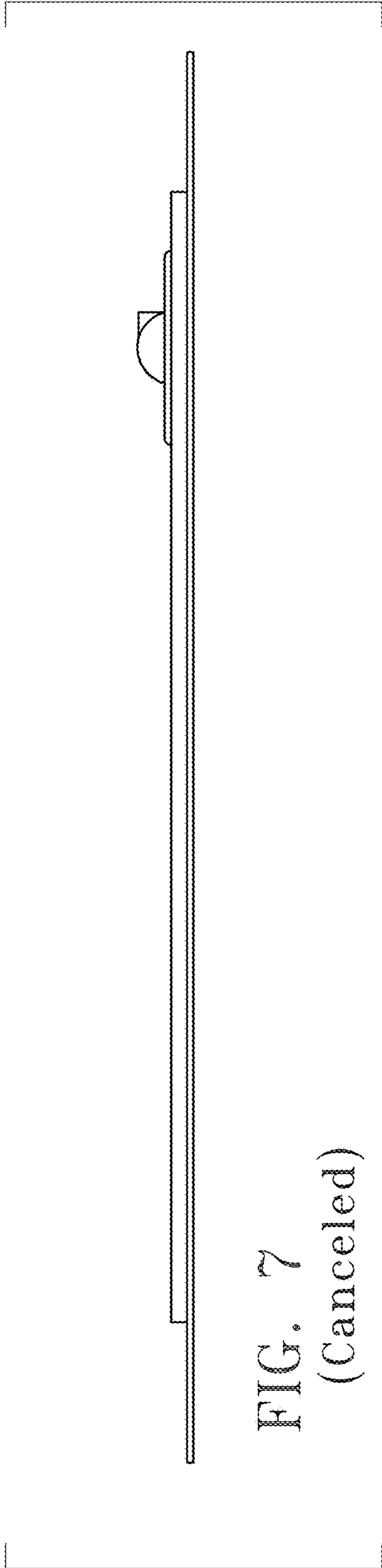


FIG. 7
(Canceled)

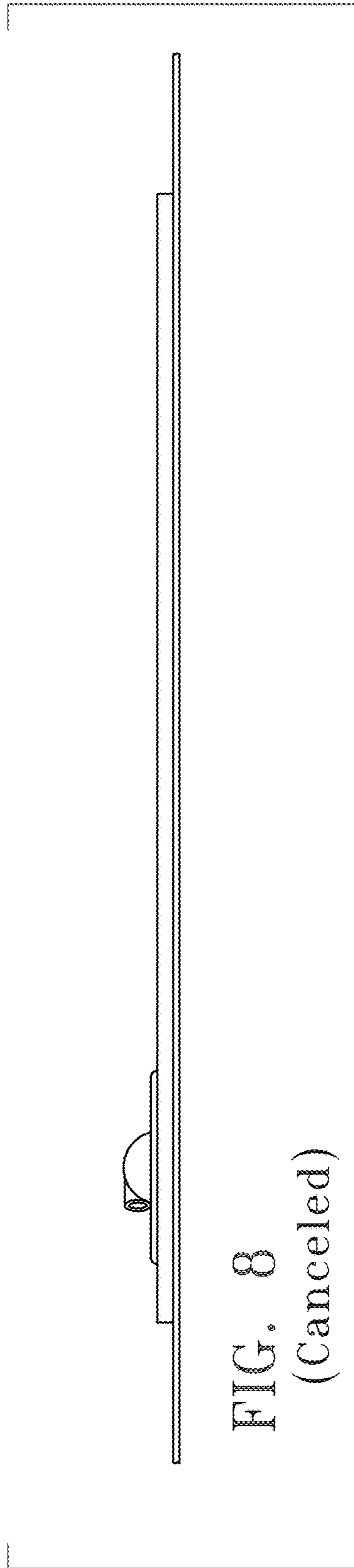


FIG. 8
(Canceled)

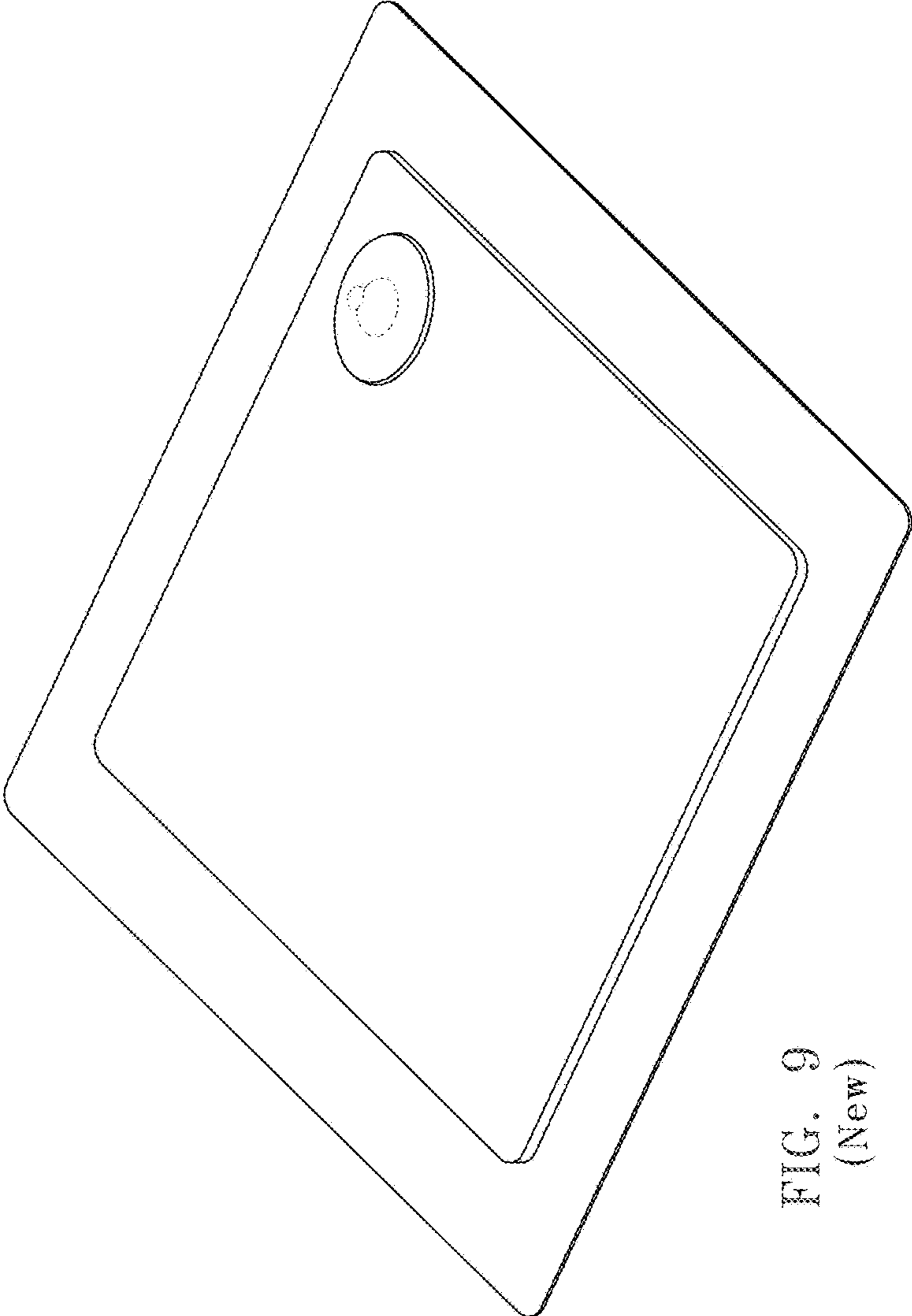


FIG. 9
(New)

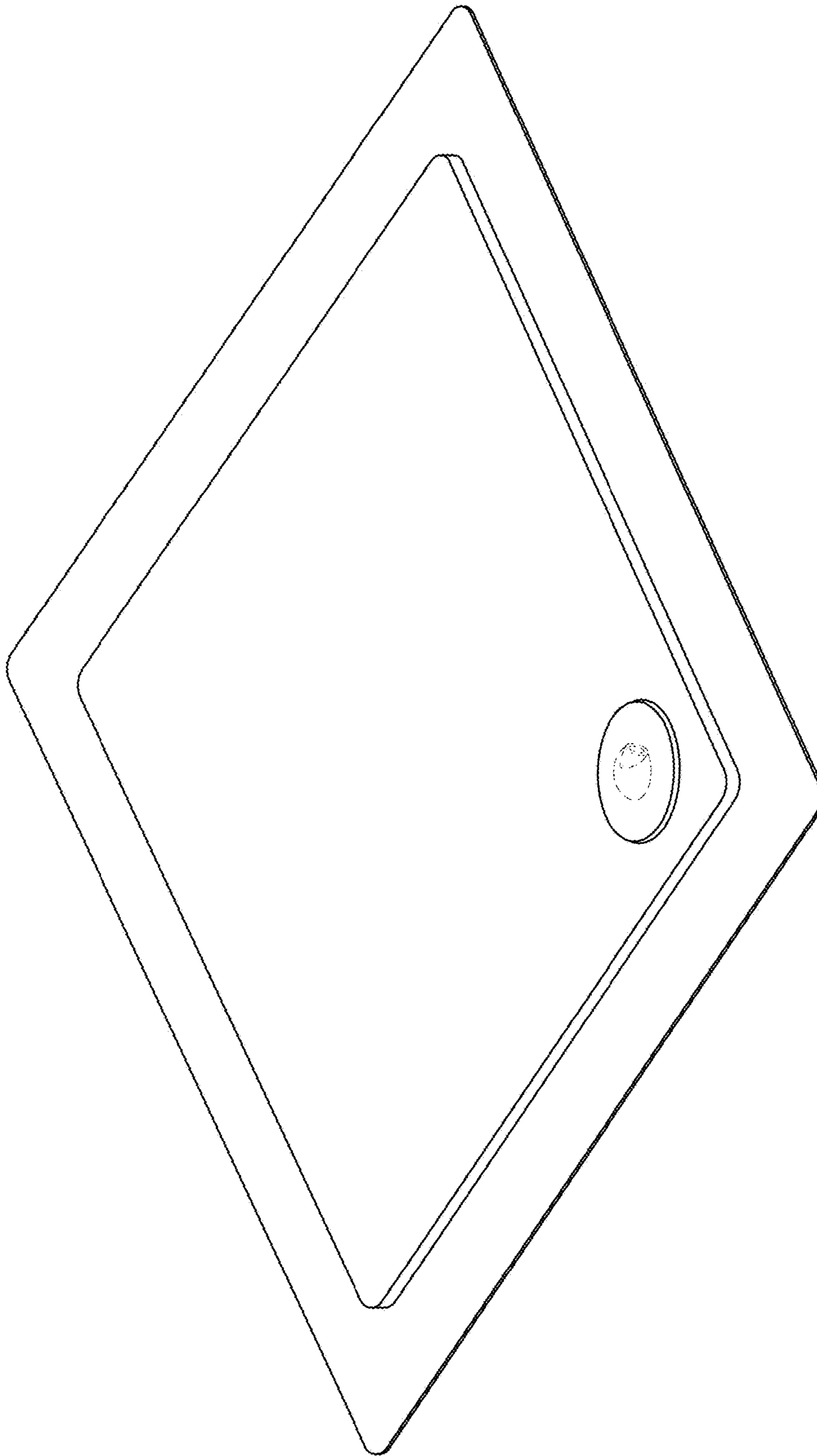


FIG. 10
(New)

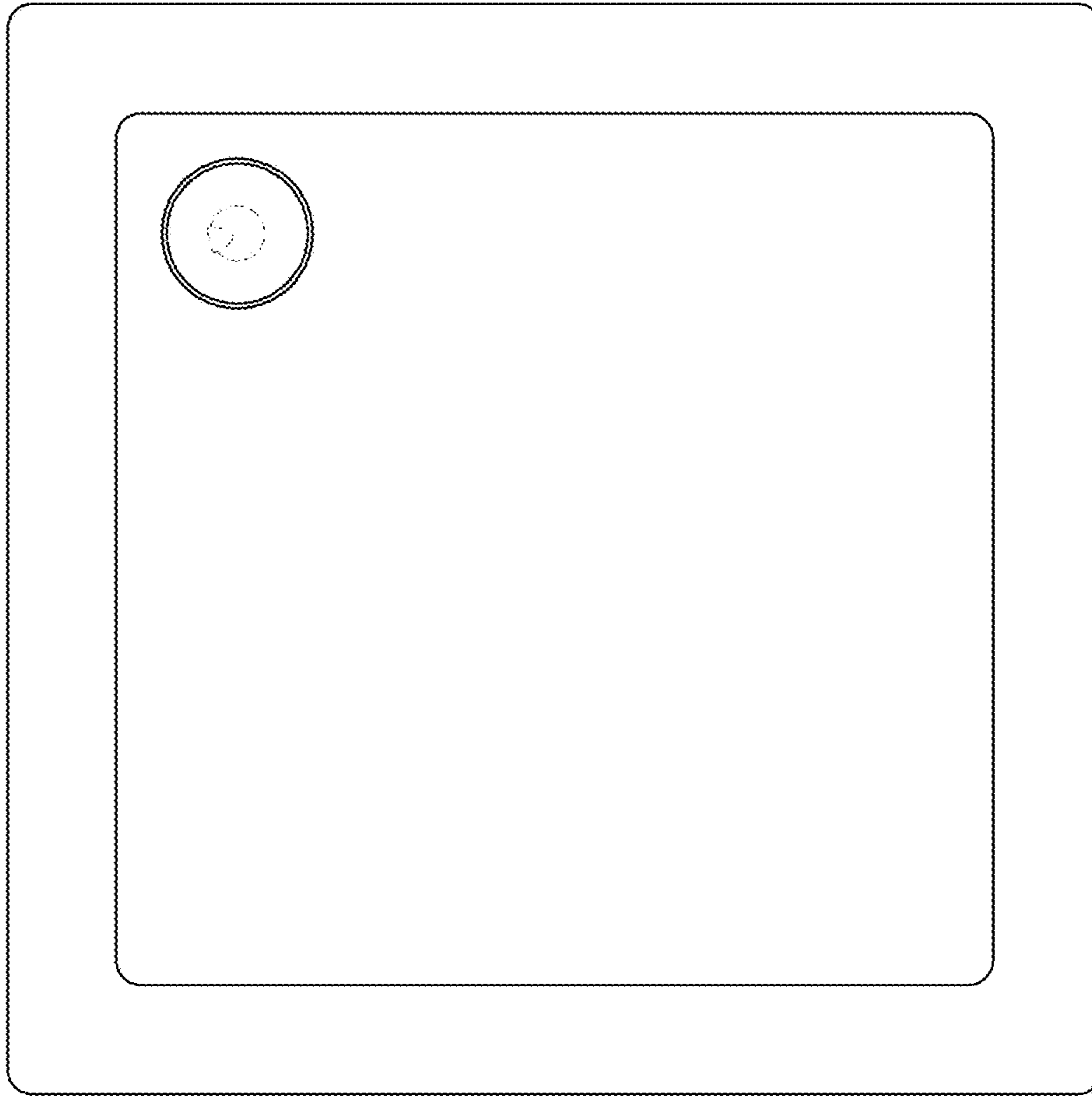


FIG. 11
(New)

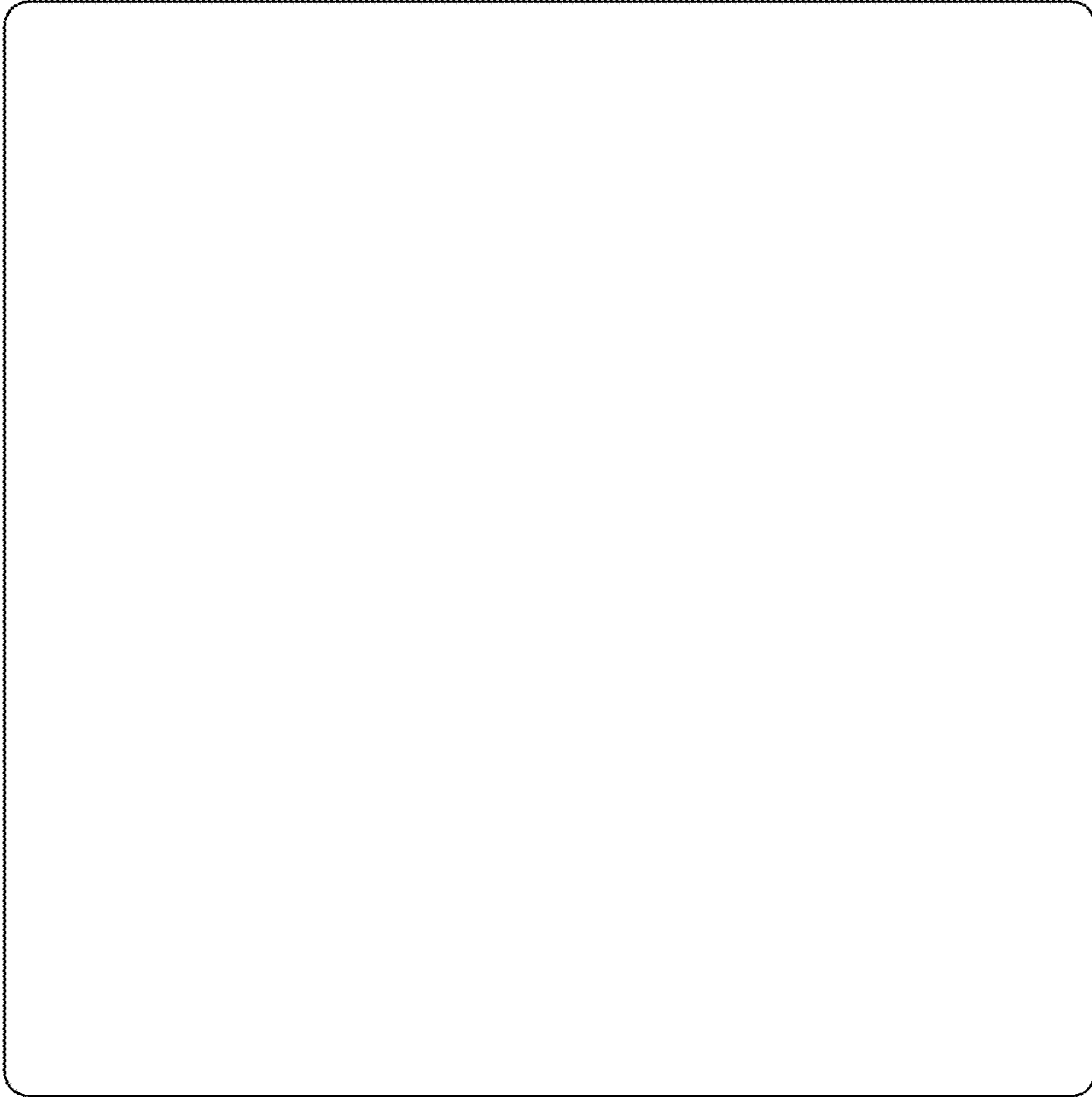


FIG. 12
(New)

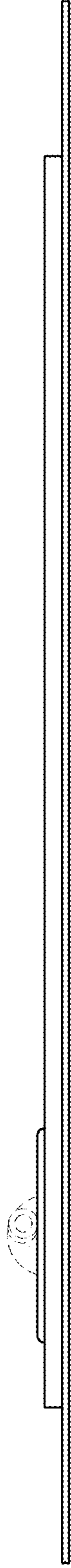


FIG. 13
(New)

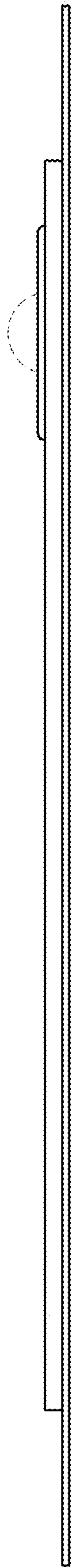


FIG. 14
(New)

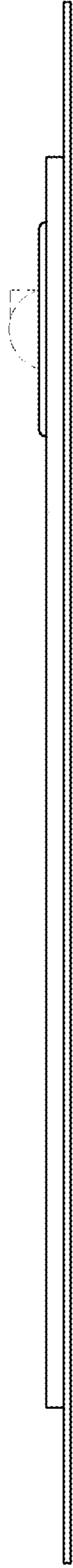


FIG. 15
(New)



FIG. 16
(New)