

US00RE46650E

(19) **United States**
(12) **Reissued Patent**
Neal et al.

(10) **Patent Number:** **US RE46,650 E**
(45) **Date of Reissued Patent:** **Dec. 26, 2017**

(54) **METHOD OF MODIFYING ENGINE OIL COOLING SYSTEM**

(71) Applicant: **Neal Technologies, Inc.**, Mesa, AZ (US)

(72) Inventors: **Gene Neal**, Phoenix, AZ (US);
Kennieth Neal, Mesa, AZ (US)

(73) Assignee: **Neal Technologies, Inc.**, Mesa, AZ (US)

(21) Appl. No.: **15/454,656**

(22) Filed: **Mar. 9, 2017**

Related U.S. Patent Documents

Reissue of:

(64) Patent No.: **8,635,771**
Issued: **Jan. 28, 2014**
Appl. No.: **13/905,660**
Filed: **May 30, 2013**

U.S. Applications:

(63) Continuation of application No. 13/746,709, filed on Jan. 22, 2013, now Pat. No. 8,505,512, which is a
(Continued)

(51) **Int. Cl.**
B23P 6/00 (2006.01)
F01M 1/10 (2006.01)
(Continued)

(52) **U.S. Cl.**
CPC **F01M 5/002** (2013.01); **F01M 1/10** (2013.01); **F01M 5/021** (2013.01); **F01M 11/03** (2013.01); **F01P 3/20** (2013.01); **F01P 5/10** (2013.01); **F01P 11/08** (2013.01); **F01P 11/12** (2013.01); **F01M 2001/1092** (2013.01);
(Continued)

(58) **Field of Classification Search**
CPC F01M 5/002; F01M 11/03; F01M 1/10; F01M 5/021; F01M 2001/1092; F01M 2011/033; F01P 5/10; F01P 11/12; F01P 11/08; F01P 3/20; F01P 2060/04; Y10T 29/49231; Y10T 29/49233
USPC 29/888.011; 123/196 AB, 41.55, 41.56, 123/41.57, 41.58; 184/104.1, 104.2, 184/104.3, 6.5
See application file for complete search history.

(56) **References Cited**

U.S. PATENT DOCUMENTS

3,223,197 A 12/1965 Conover
3,561,417 A 2/1971 Downey
(Continued)

OTHER PUBLICATIONS

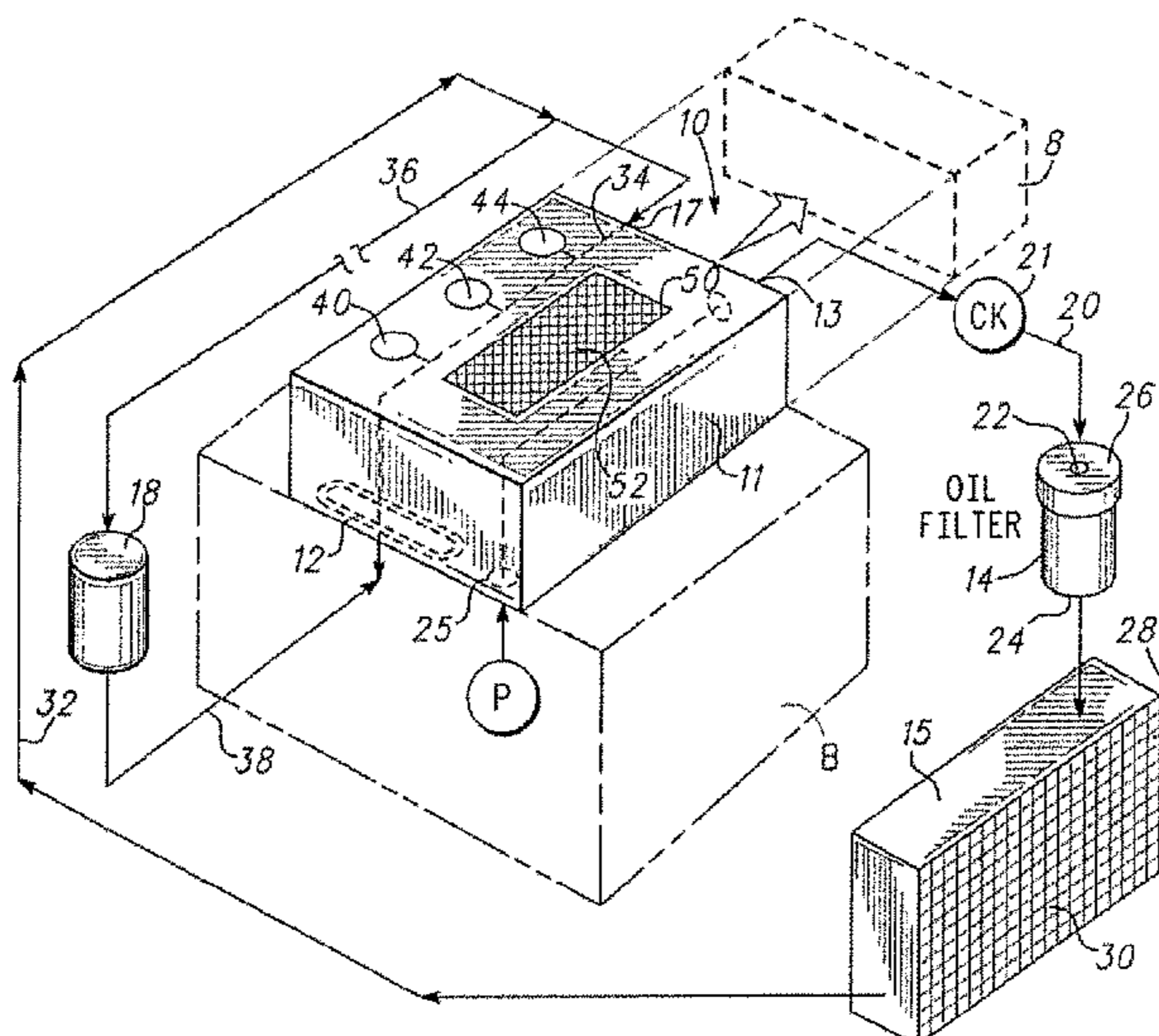
Web Documents www.Sneed4Speed.com.
(Continued)

Primary Examiner — William Doerrler
(74) *Attorney, Agent, or Firm* — Hartman Titus PLC;
John D. Titus

(57) **ABSTRACT**

A method of modifying the oil cooling system of a diesel engine an engine oil supply outlet located in a horizontal plan includes the steps of removing the original equipment liquid-to-liquid heat exchanger and installing a manifold having an oil outlet port directed to a remote oil cooler and a bypass water passage providing an un-branched flow of water, whereby the flow of oil is directed to a remote oil cooler and the entirety of the flow of water in the bypass water passage is discharged back to the water cooling system of the engine without passing through an oil cooling or water cooling heat exchanger.

10 Claims, 4 Drawing Sheets



Related U.S. Application Data

- continuation of application No. 12/804,474, filed on Jul. 22, 2010, now Pat. No. 8,375,917.
- (60) Provisional application No. 61/271,719, filed on Jul. 23, 2009.
- (51) **Int. Cl.**
F01M 11/03 (2006.01)
F01P 11/12 (2006.01)
F01P 3/20 (2006.01)
F01P 5/10 (2006.01)
F01P 11/08 (2006.01)
F01M 5/02 (2006.01)
F01M 5/00 (2006.01)
- (52) **U.S. Cl.**
 CPC *F01M 2011/033* (2013.01); *F01P 2060/04* (2013.01); *Y10T 29/49231* (2015.01); *Y10T 29/49233* (2015.01)

4,996,956 A	3/1991	Hupfer
5,014,775 A	5/1991	Watanabe
5,029,636 A	7/1991	Kadle
5,178,238 A	1/1993	Schaeff
5,236,061 A	8/1993	Haupt
5,250,081 A	10/1993	Habeeb
5,253,985 A	10/1993	Ruetz
5,291,969 A	3/1994	Diederich
5,299,746 A	4/1994	Thuenker
5,351,664 A	10/1994	Rotter
5,363,823 A	11/1994	Gittlein
5,366,400 A	11/1994	Kucick
5,366,415 A	11/1994	Church
5,431,588 A	7/1995	Kucik
5,472,242 A	12/1995	Petersen
5,477,817 A	12/1995	Huffendiek
5,505,867 A	4/1996	Ritter
5,507,206 A	4/1996	Solski
5,533,274 A	7/1996	Westling
5,547,349 A	8/1996	Kimura
5,647,306 A	7/1997	Pateman
5,676,840 A	10/1997	Paul
5,711,270 A	1/1998	Pederson
5,765,612 A	6/1998	Morin
5,848,381 A	12/1998	Ishii
5,851,386 A	12/1998	Paul
5,896,834 A	4/1999	Gruner
5,964,283 A	10/1999	Pavlin
6,003,478 A	12/1999	Huber
6,110,878 A	8/2000	McConnachie
6,113,367 A	9/2000	Dunaevsky
6,182,616 B1	2/2001	Itoh et al.
6,237,362 B1	5/2001	Jang
6,536,381 B2 *	3/2003	Langervik 123/41.33
6,634,323 B2 *	10/2003	Vaudry et al. 123/41.1
6,955,150 B2	10/2005	Moss
6,988,919 B2	1/2006	Tanaka
7,207,298 B2 *	4/2007	Lee 123/41.29
7,213,542 B2	5/2007	Oshima et al.
7,216,609 B2 *	5/2007	Theorell 123/41.29
7,261,080 B2	8/2007	Chonan
7,267,084 B2 *	9/2007	Lutze et al. 123/41.02
7,886,710 B2	2/2011	Tomaru
7,992,667 B2	8/2011	Rennie
8,186,328 B2	5/2012	Kiemlen
8,267,054 B2	9/2012	McMillan
8,402,929 B2	3/2013	Marsh
8,505,512 B2 *	8/2013	Neal et al. 123/196 AB
2007/0137607 A1	6/2007	Ledbetter

(56) **References Cited**

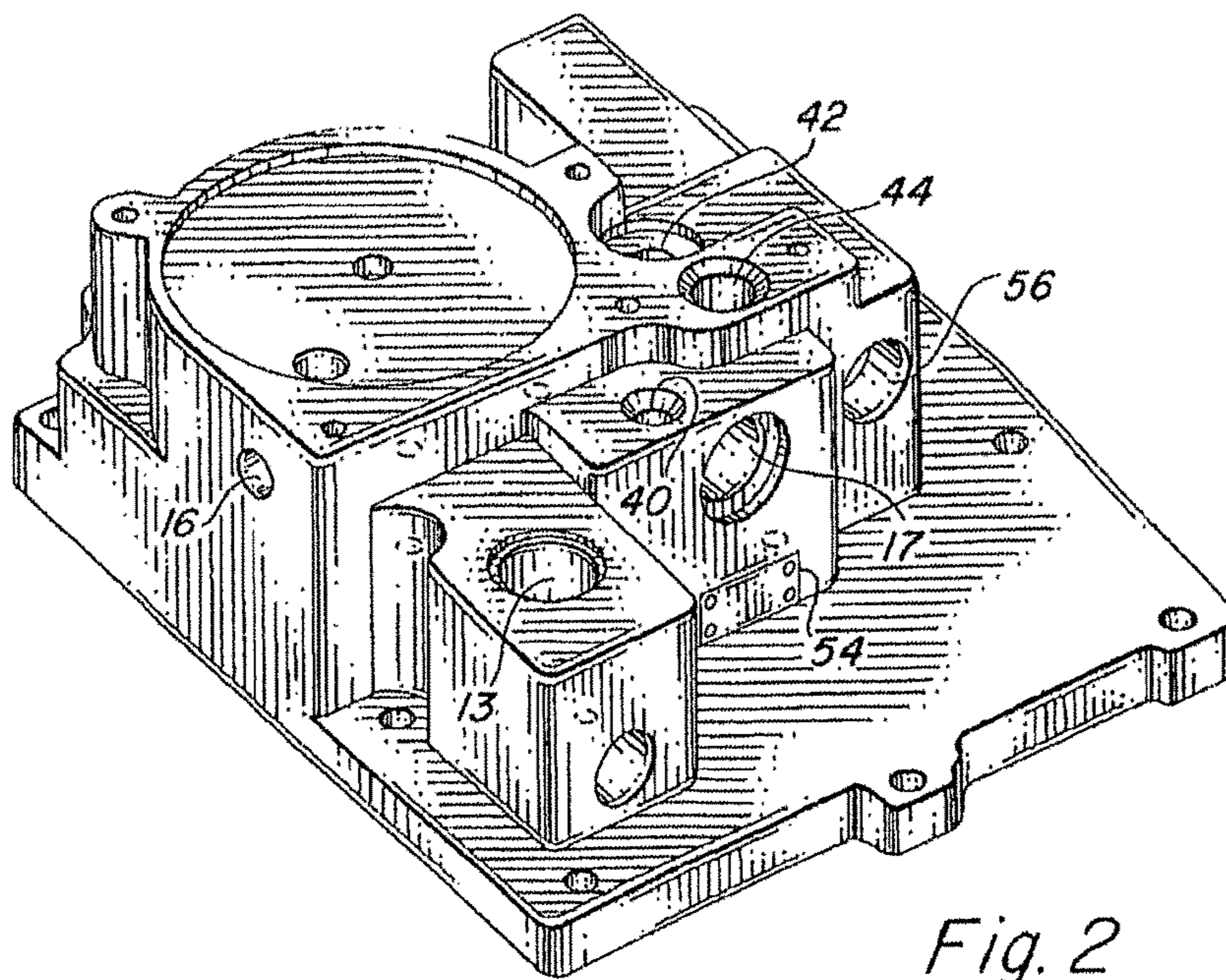
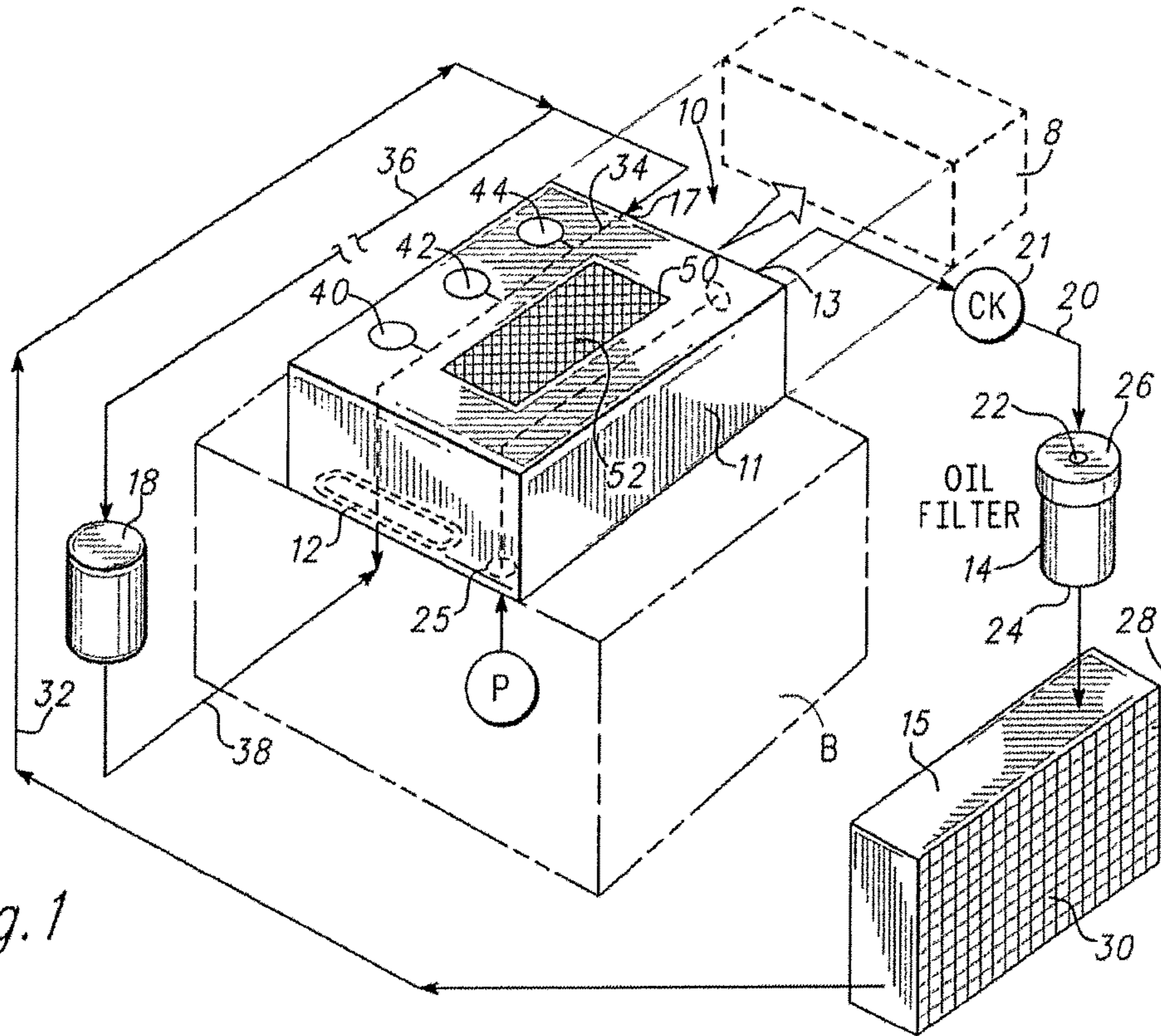
U.S. PATENT DOCUMENTS

4,324,213 A	4/1982	Kasting
4,328,480 A	5/1982	Keitel et al.
4,329,854 A	5/1982	Schmidt
4,364,339 A	12/1982	Fricke
4,376,370 A	3/1983	Kinugasa
4,406,784 A	9/1983	Cochran
4,411,225 A	10/1983	Dell'Orto
4,423,708 A	1/1984	Sweetland
4,427,778 A	1/1984	Zabriskie
4,428,338 A	1/1984	Skatsche
4,432,204 A	2/1984	Walsh
4,434,626 A	3/1984	Schmidt
4,441,465 A	4/1984	Nakamura
4,444,049 A	4/1984	Hitchcock
4,471,744 A	9/1984	Holtz
4,480,470 A	11/1984	Tussing
4,520,660 A	6/1985	Hitchcock
4,522,169 A	6/1985	Arai et al.
4,610,222 A	9/1986	Goddard
4,829,850 A	5/1989	Soloy
4,831,980 A	5/1989	Nasu
4,867,007 A	9/1989	Krotky
4,867,911 A	9/1989	Shortt
4,880,090 A	11/1989	Ando
4,885,911 A	12/1989	Wollenweber
4,891,073 A	1/1990	Shortt
4,918,923 A	4/1990	Wollenweber
4,923,052 A	5/1990	Englebert
4,926,800 A	5/1990	Valev
4,940,400 A	7/1990	Speiser
4,964,459 A	10/1990	Stenlund

OTHER PUBLICATIONS

- Web Documents www.Mini-Madness.com.
 Web Documents www.Liberatorperformanceinc.com.
 Web Documents www.ford-trucks.com/forum.
 Web Documents BAT, Inc.
 Web Documents www.dieselplace.com.

* cited by examiner



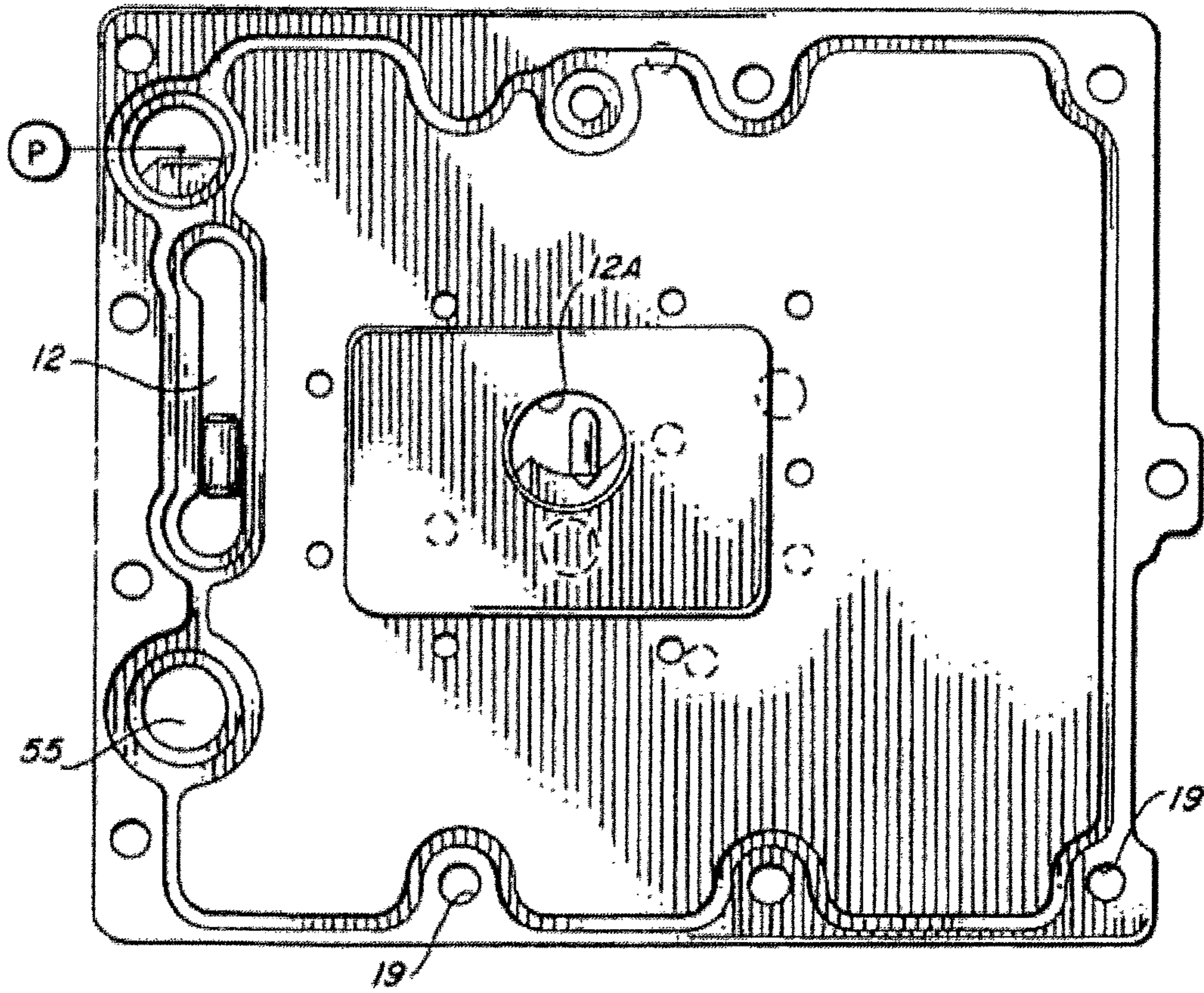


Fig. 3

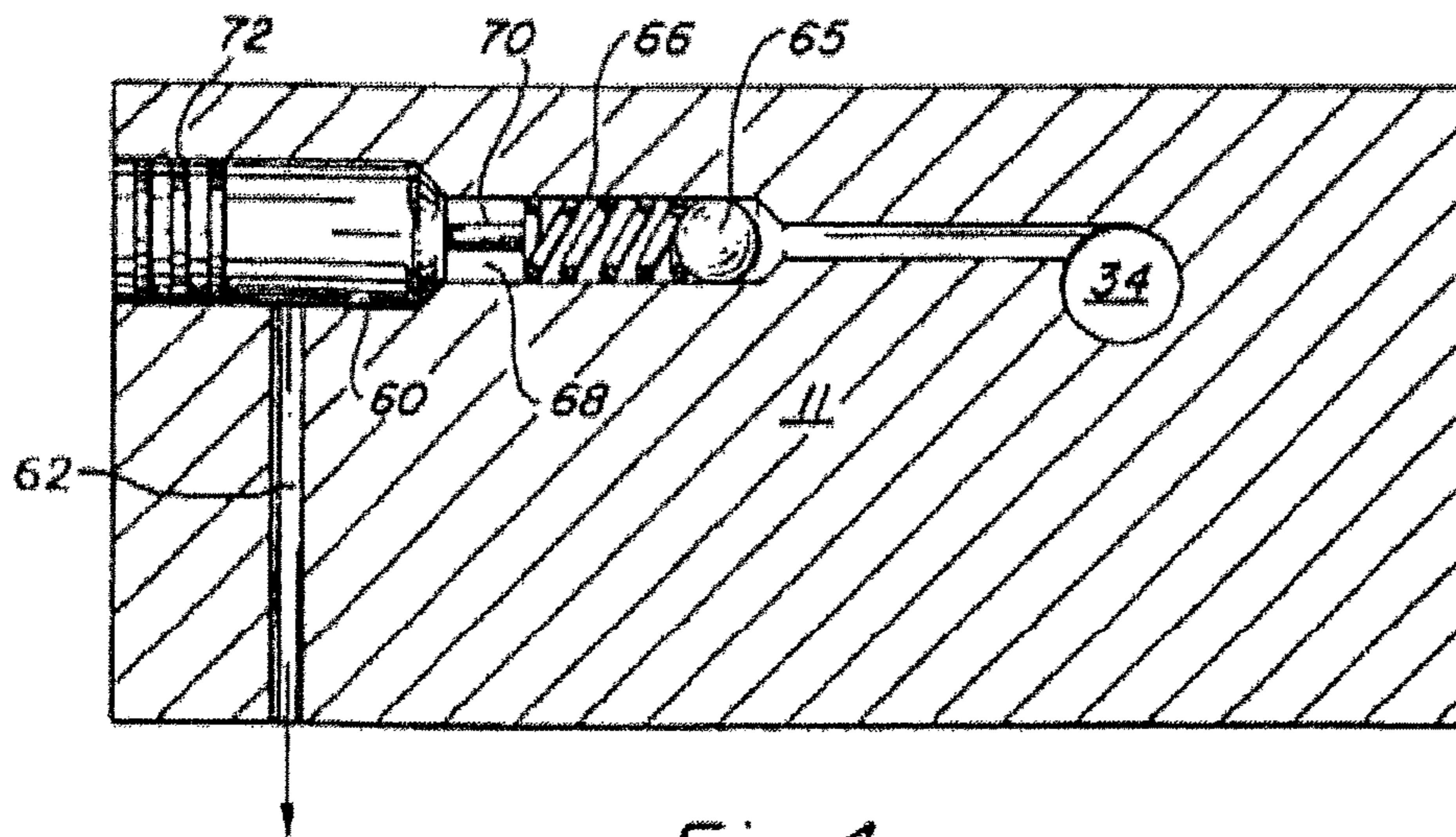


Fig. 4

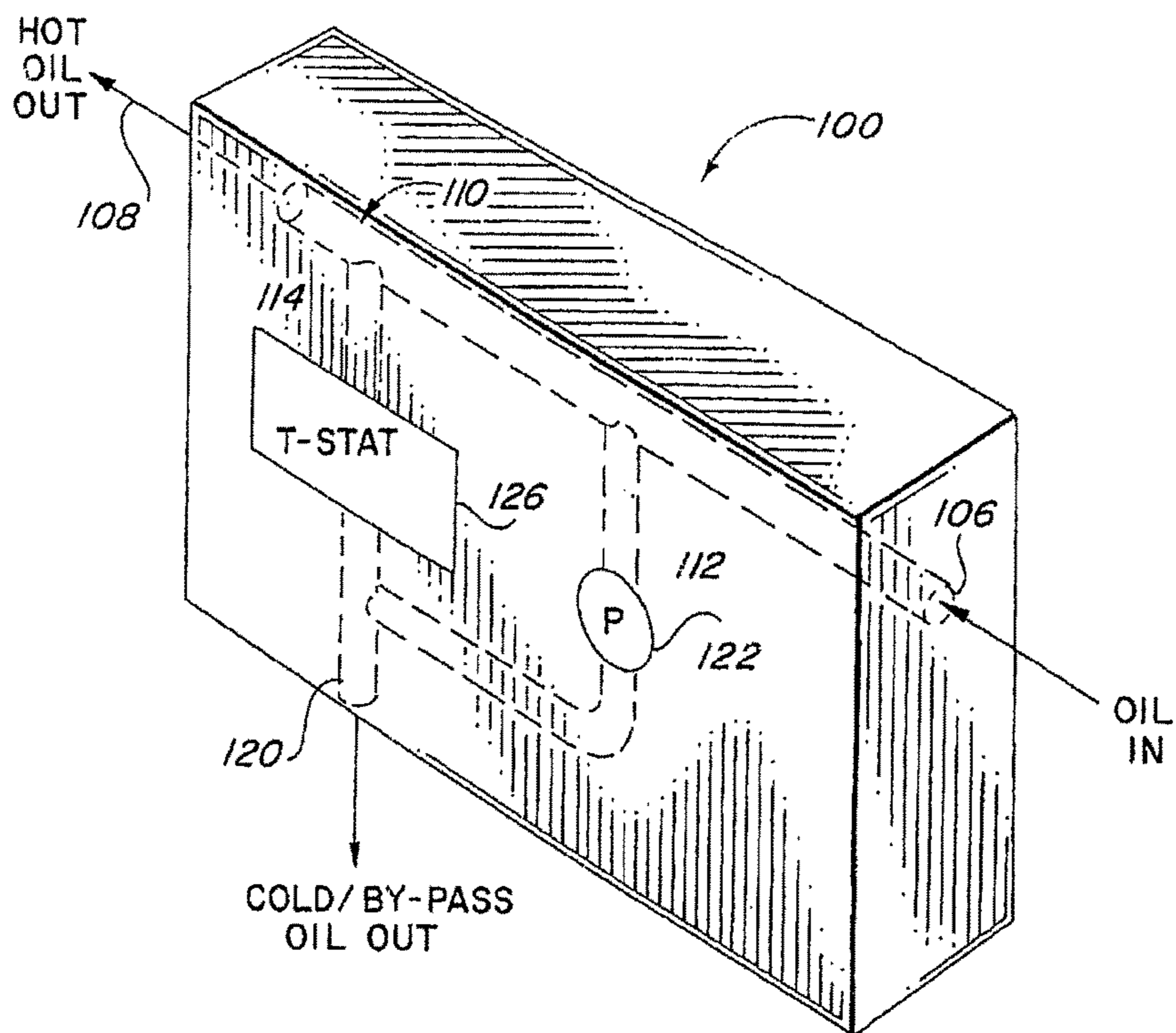


Fig. 5

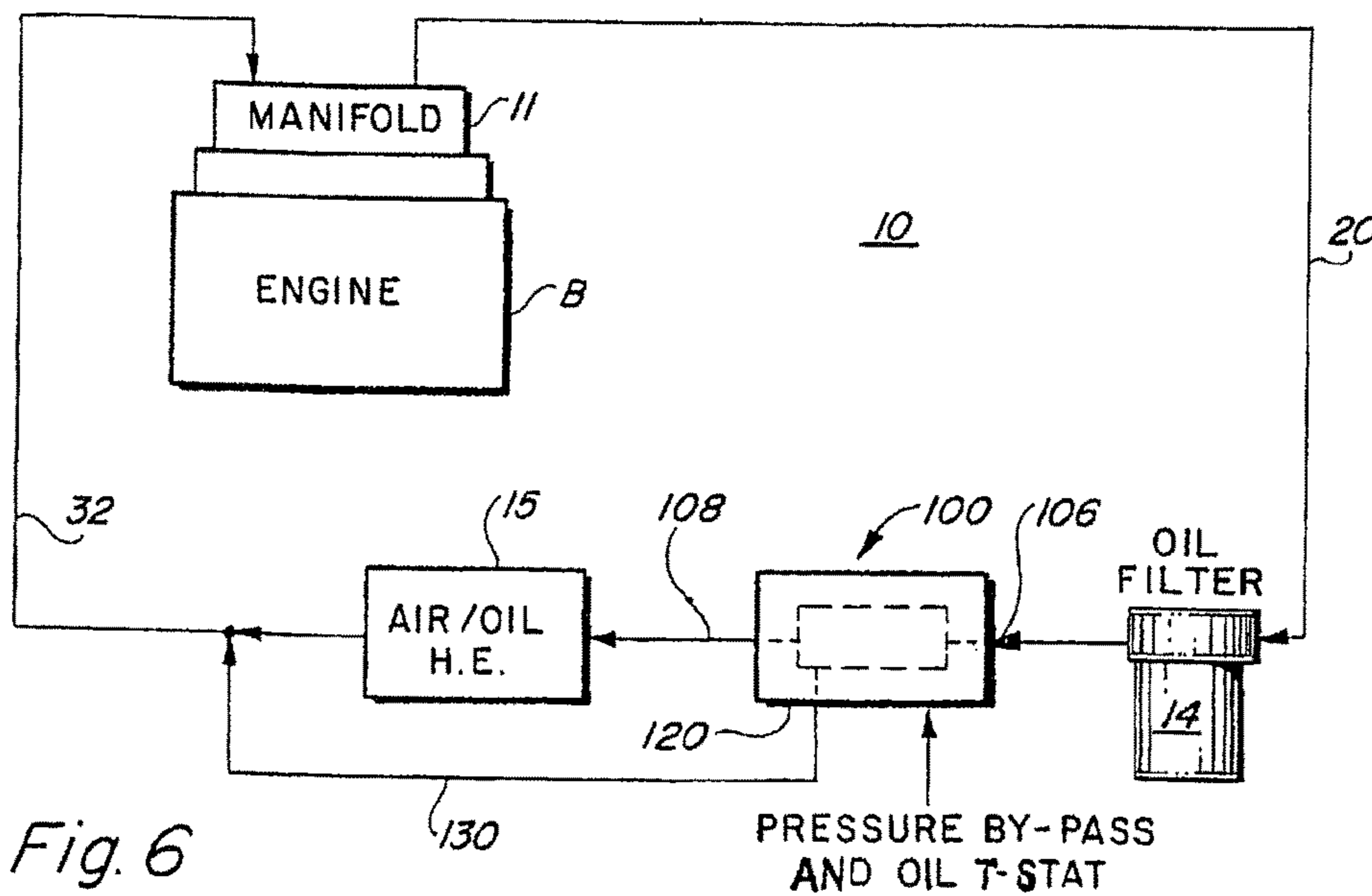


Fig. 6

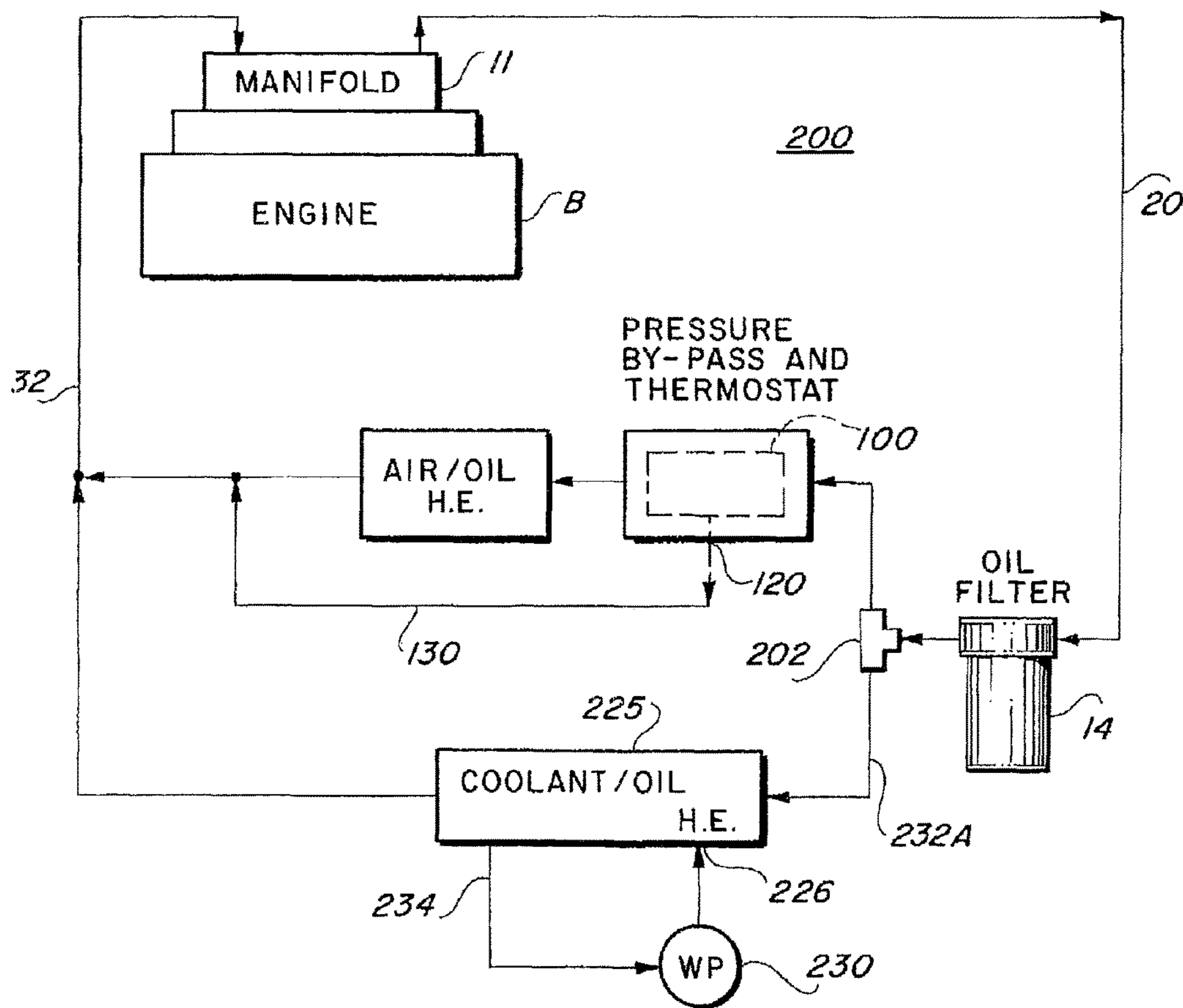


Fig. 7

METHOD OF MODIFYING ENGINE OIL COOLING SYSTEM

Matter enclosed in heavy brackets [] appears in the original patent but forms no part of this reissue specification; matter printed in italics indicates the additions made by reissue; a claim printed with strikethrough indicates that the claim was canceled, disclaimed, or held invalid by a prior post-patent action or proceeding.

FIELD OF THE INVENTION

The present invention relates to a cooling system for an internal combustion engine and more particularly relates to an oil cooling system for both combustion ignition and diesel engines, collectively internal combustion (IC) engines.

BACKGROUND OF THE INVENTION

Most internal combustion engines require a cooling circuit having a coolant pump, radiator and passageways which circulate a coolant from the radiator through the engine block to cool the engine block and the moving components in the engine block. Lubricants, typically a synthetic or mineral-based oil, are utilized to lubricate the relatively moving surfaces in the engine to counteract friction, reduce wear and reduce operating temperatures.

However, excessive heat generated in the operation of the engine may cause the oil to degrade and break down losing its lubricating ability. When motor oils break down, they oxidize, thermally degrade and lose viscosity due to shear forces. As a result, many internal combustion engines, particularly high speed diesel engines and high performance combustion ignition engines, utilize engine block mounted oil coolers. Oil from the engine is passed through a cooler which operates as a heat exchanger with heat exchanger fluid, usually water and glycol, being provided from the engine cooling system from either the radiator or the engine block.

However, since the opening temperature of the thermostat in cooling systems of most internal combustion engines is approximately in the range of 180° to 200° Fahrenheit, an oil cooler utilizing engine coolant as the heat exchanger fluid is limited in its ability to cool the engine oil. By the operation of the cooling system thermostat in many engines, an oil temperature of approximately 200° to 220° F. is maintained so that the oil effectively lubricates and does not break down or degrade. Further, a low oil temperature is preferred because the oil, in addition to being a lubricant, also serves to cool the internal combustion engine components.

In a coolant to oil cooler system, the engine oil temperature is dependent upon the coolant supply. In the event of even a minor coolant loss, the engine may be damaged as the engine will incur the cooling loss provided both by the coolant and the engine oil.

Accordingly, there exists a need for an improved coolant to oil cooler system for IC engines which obviates the deficiencies set forth above.

BRIEF SUMMARY OF THE INVENTION

Briefly, the present invention provides a cooling system which replaces the conventional engine mounted coolant-to-oil heat exchanger with an external, high-capacity air-to-liquid heat exchanger. An adaptor block or manifold is

configured to replace an existing Original Equipment Manufacturer (OEM) engine oil cooler and is mounted in place on the engine block utilizing the existing mounting and similar hardware and gaskets that secure the conventional engine oil cooler in place.

The manifold is configured or ported with a passageway to receive the hot, unfiltered oil from the engine and directs the oil to a canister-style oil filter of the type having a replaceable cartridge. The filter may be located immediately adjacent to the manifold or may be at a remote location within the engine compartment. Filtered oil from the oil filter is directed to an external heat exchanger, preferably a high-capacity air to liquid heat exchanger, which returns the cooled and filtered oil to the manifold which, in turn, returns cooled and filtered oil to the engine. The system may also include separate bypass filtration and a particle filtration screen within the manifold, as well as an oil bleeder valve and an anti-siphon valve. Suitable provision is made in the manifold for installation of sensors to measure engine operating parameters such as oil pressure and temperature. Further provision can be made for oil supply to an accessory such as a turbo charger.

BRIEF DESCRIPTION OF THE DRAWINGS

The above and other advantages and objects of the present invention will become more apparent when taken in conjunction with the following description, claims and drawings in which:

FIG. 1 is a schematic representation of an embodiment of a cooling system according to the present invention;

FIG. 2 is a detailed perspective view of the adaptor or manifold section of the cooling system shown in FIG. 1;

FIG. 3 is a plan view of the bottom of the manifold showing a representative 5 mounting configuration which is adapted to replace the conventional OEM oil cooler;

FIG. 4 is a cross-sectional view of a section of the manifold illustrating the air bleed valve;

FIG. 5 is a schematic view of an engine oil by-pass that may be incorporated into the cooling system;

FIG. 6 is a schematic view showing the oil by-pass of FIG. 5 incorporated in the system of FIG. 1; and

FIG. 7 is a schematic showing a modified system as shown in FIG. 6 further including both coolant-to-oil and air-to-oil heat exchangers with by-pass features to provide warming of the engine oil upon start-up.

DETAILED DESCRIPTION

Turning now to the drawings, FIG. 1 shows the cooling system of the present invention mounted in place on the cylinder block B of an IC engine which is represented schematically by dotted lines. The mounting location may vary depending on the engine configuration. The IC engine may be a CI or diesel having an engine mounted cooler 8 which is removed and replaced with a manifold 11. The system indicated by the numeral 10 includes a housing or manifold 11 which may be cast and machined from a single block or billet of material such as steel or aluminum. Preferably the underside of the manifold, as best seen in FIG. 3, is machined to conform to the mounting configuration of the conventional coolant-to-oil cooler mounted on the engine block which cooler has been removed, having bolt holes 19 conforming to the existing bolt pattern. FIG. 3 shows a representative 5 mounting for a 6.0 L International® VT365 diesel engine also known as the 6.0 L Ford® Powerstroke diesel engine (hereinafter referred to as the "6.0

L VT365 diesel engine”) found in a 2004 Ford F350 truck. If the engine has not been originally equipped with an oil cooler, suitable mounting provision for the manifold must be made which may involve appropriate modifications such as tapping the engine block at suitable locations for mounting the manifold and installing suitable hydraulic lines.

However, in most cases, the cooling system of the present invention will be applicable and is adapted for replacement of a conventional engine mounted IC coolant-to-oil cooler and the following description proceeds on that basis. Once the existing oil cooler is removed, the manifold **11** is secured using suitable hardware and gaskets to position and mount the housing on the engine block B. Port or passageway **25** in the underside of the manifold aligns with a port P in the engine block B through which hot, unfiltered oil is directed to the manifold **11**. The oil enters the manifold at passageway **25** and flows through the manifold **11** exiting at port **13**. Port **13** is connected by a hydraulic line **20** to oil filter **14**. Line **20** has an anti-siphon check valve **21** to prevent reverse flow of oil through line **20**. The oil filter **14** may be located immediately adjacent the manifold **11** or may be at a convenient location in the engine compartment considering engine size, available space and other installation restrictions.

The oil filter **14** is a canister-type and has an inlet **22** which communicates with and receives oil from the manifold. The housing has a lower screw or spin-on body **24** which is removable. The body **24** contains a suitable element **26** of a filtering material such as paper or fiber which is periodically replaceable. Preferably the filter is a conventional filter available from manufacturers such as FRAM, WIX and others. Particulates and contaminants are substantially removed as the oil passes through the filter element **26**.

The oil exiting oil filter **14** is then directed to an external heat exchanger, preferably an air-to-liquid heat exchanger **15**. The external heat exchanger may be a tube or plate design and is preferably of the tube type having a tube **28** carrying the oil to be cooled which extends in serpentine fashion within the heat exchanger housing. Because air is a relatively poor conductor of heat, the heat transfer area between the air passing over the tubes is increased by adding fins **30** to the tubes. The heat exchanger **15** is mounted in a location remote from the location of the OEM heat exchanger, preferably located in the vehicle to receive substantial airflow, for example at the front of the vehicle immediately adjacent and in front of the radiator for the engine cooling system. Ducting may be provided to increase airflow to the heat exchanger **15**.

The oil which has been cooled and filtered is returned to an inlet port **17** on the manifold **11** via line **32**. The inlet port **17** connects with internal passageway **34** communicating with outlet port **12**. The outlet port **12** on the bottom of the manifold is aligned and communicates with the engine block port P so the cooled and filtered oil returns to the engine to provide lubrication. An additional outlet port **12A**, as seen in FIG. **3**, is provided to supply cooled and filtered oil to the high pressure oil pump.

Additional filtering may be provided by a bypass filter **18**. The bypass filter **18** is a separate filter and may be of the canister type as described with reference to filter **14**. A bypass line **36** removes a portion of the cooled and filtered oil prior to the oil entering into port **17** and directs the oil to the inlet of the bypass filter **18**. The bypass filter **18** has an outlet which directs the flow via line **38** to port **12** to be returned to the engine.

Passageway **34** connected to port **17** may also be intercepted by passageways **40**, **42** and **44** which are suitably

threaded for connection to gauges such as the pressure gauge at **40**, temperature gauge **42** and oil feed for the turbo at **44**. Other sensing locations can also be provided to measure other operating parameters. Provision is made in the manifold to circulate coolant through the engine cooling system. Coolant enters the manifold at port **55** and exits at port **56** where it is returned to the engine cooling system without passing through an oil or water cooling heat exchanger. The coolant thus returned to the engine cooling system is circulated by a water pump through the existing passages in the engine block and radiator.

In many engines, metal particles will be released during operation. In addition to metal particles, sand used in the engine block casting process and retained in the engine may also be released. These larger, particulate materials can be harmful to the engine and may also quickly clog or reduce the effectiveness of the filters, such as the F1A filter, which are primarily intended to remove finer particulate materials.

The oil cooling system of the present invention may be provided with a particulate filter internal within the manifold **11** to trap and remove larger particulates which may otherwise quickly impair the effectiveness of element type filters. A cavity **50** is provided within the housing and removably receives a screen **52** having a mesh in the 0.003 to 0.005 inch range. The screen is accessible and removable by detaching the manifold from the engine block or access may be provided through a suitable access panel **54** on the manifold. A portion of the cooled and filtered oil entering the manifold at port **17** may be internally diverted to the cavity **50** and onto a surface of the particulate screen **52**. The oil will, due to pressure existing in the system and gravity, flow downwardly through the screen to ports **12** and **12A** returning to the engine. Particulate material will collect on the screen **52** and may be periodically removed by accessing the screen by removal of the manifold or through an access panel as described above.

An oil bleed valve **16** may be provided as seen in FIG. **4**. The oil bleed valve **16** is in a passageway **60** communicating with passageway **34**. A ball **65** is held in place by a spring **66**. The spring **66** is retained by a plug **68** with a small orifice **70**. Passageway **60** is closed by a plug **72**. When the pressure in passageway **34** exceeds a predetermined level, the ball **65** will open returning oil to the engine crank case via line **62**, allowing air within the engine’s oil system to be removed.

FIGS. **2** and **3** illustrate a representative configuration for the manifold and for the configuration of the passageways within the manifold which may be utilized in connection with the cooling system of the present invention. However, it will be appreciated that the particular configuration shape of the manifold may vary with the intended installation. It will also be appreciated that the present system has broad utility and application to various internal combustion engines of different types and displacement. Accordingly, while the present invention has been described in detail with reference to a preferred embodiment it is to be understood that the disclosure has only illustrated an exemplary embodiment.

FIGS. **5** and **6** are schematics which show a by-pass **100** that may be incorporated into the system **10** shown in FIG. **1**. Referring to FIG. **5**, which **5** shows the by-pass **100** which has a housing **102** having an inlet **106** and outlet **108** connected by a passageway **110** is intercepted by a pressure by-pass line **112** and a temperature by-pass line **114** both of which communicate with by-pass outlet **120**. A pressure control valve **122** such as a spring-biased valve is located in line **112**. The valve **122** may be a direct acting relief valve which opens at a fixed pre-set pressure established by a

5

spring which may be adjusted by a spring adjustment screw. The valve is set to by-pass fluid to the outlet when the differential pressure between the inlet and outlet of the oil cooler is above the setting, typically about 40-50 psi, which differential may initially occur during start-up before the pressure in the system generated by the engine oil pump has fully pressurized the engine oil system.

Similarly, the temperature by-pass line includes a thermostatic control **126** which has a selected opening temperature generally between 170-200° F. The thermostat control will block flow through the by-pass **100** and direct the oil flow to outlet **120** until such time as the temperature of the oil reaches a temperature at which the thermostat is set to open. Thus, the oil entering the by-pass **100** will be directed to the cold by-pass outlet **120** if either: (1) the engine oil is below a predetermined temperature by the closed thermostat **126** or (2) the oil pressure differential between the inlet and outlet of the oil cooling heat exchanger **15** is greater than the differential setting of the control valve **122**.

In FIG. 6, the by-pass **100** is shown in the system **10** of FIG. 1. The system **10** has been simplified in FIG. 6 but is as described in greater detail with reference to FIG. 1 which description is incorporated here by reference. The by-pass **100** is located adjacent the air-to-liquid heat exchanger **15**, either ahead of the heat exchanger **15** or downstream of the discharge. In FIG. 6, the by-pass **100** is shown ahead of the heat exchanger **15**. The outlet **108** of the by-pass **100** is in communication with the heat exchanger **15**. The by-pass outlet **120** is connected via by-pass line **130** to line **32** leading to the manifold **11**. Accordingly, if engine oil is below a predetermined temperature or if a predetermined pressure differential exists between the inlet and outlet of oil exceeding the setting of control valve **122**, oil will be by-passed through by-pass **100** allowing the system oil temperature and pressure to build to acceptable levels due to engine operation. This typically may take 4 or 5 seconds after start up. The by-pass **100** lessens stress and wear on engine components due to oil conditions which reduce the effectiveness of the lubrication.

In FIG. 7, a modification of the system **10** of claim **1** is shown which is adopted for engines which operate in colder climates. The system of FIG. 7 is indicated by the numeral **200** and includes a manifold **11** secured to the engine block B as described with reference to FIG. 1. The hot, unfiltered oil from the engine is directed to a filter **14** by line **20** and exits the filter **14** to tee **202** having outlet lines **232**, **232A**. Line **232** is directed to by-pass **100** located adjacent an air-to-liquid heat exchanger **15**. The by-pass **100** is as described with reference to FIGS. 5 and 6. The heat exchanger **15** is as has been previously described with reference to FIG. 1. The by-pass **100** will direct engine oil either to the heat exchanger **15** or, if the temperature or pressure conditions of the oil are within predetermined by-pass parameters, the oil will be by-passed around the heat exchanger **15** via line **130** to line **32**.

The engine oil discharged through line **232A** is directed to a coolant-to-oil heat exchanger **225** which receives liquid coolant at inlet port **226** from the engine cooling system under pressure from the engine water pump **230** which is recirculated from the heat exchanger via line **234**. The thermostat in the engine cooling system will operate at a preset opening temperature of typically around 190°-200° F. and be circulated by the water pump **230** through the heat exchanger **225** to warm the oil initially flowing through the heat exchanger from the filter. As the engine warms and the engine oil is heated, the heat exchanger **225** will operate to maintain the oil temperature at about the temperature of the

6

engine coolant fluid from the water pump. Thus, the heat exchanger initially assists in heating the engine oil during the initial engine start-up and thereafter will operate to maintain the oil at an acceptable temperature.

The dual system of FIG. 7 having both an air heat exchanger and a liquid heat exchanger in parallel enhances or increases the effective heat exchange area and operates to cool engine oil during operation and will heat or warm the engine oil during initial start-up and has particular application to engines operating in colder climates or conditions.

It will be obvious to those skilled in the art to make various changes, alterations and modifications to the invention described herein. To the extent such changes, alterations and modifications do not depart from the spirit and scope of the appended claims, they are intended to be encompassed therein.

What is claimed is:

1. A method of modifying an oil cooling system for a vehicle having a diesel engine, the diesel engine having an engine block with an engine oil supply inlet, an engine water coolant outlet, an engine oil supply outlet located in a horizontal plane, an oil pump, and a water cooling system with a water pump, the engine having an original equipment liquid-to-liquid heat exchanger in which heat from the oil is transferred to the water cooling system, the original equipment liquid-to-liquid heat exchanger having a predetermined mounting configuration, the original equipment liquid-to-liquid heat exchanger further comprising an oil inlet, an oil outlet, a water inlet, and a water outlet each in a predetermined location, the method comprising:

(a) removing the original equipment liquid-to-liquid heat exchanger from the engine block;

(b) attaching a manifold to the engine, said manifold having an oil inlet port for receiving a flow of oil from the engine oil supply outlet, the manifold further comprising an oil outlet port, the manifold being sized and shaped to match the mounting configuration of the original equipment liquid-to-liquid heat exchanger, the manifold further being configured to position said oil inlet port at the location of the oil inlet of the original equipment liquid-to-liquid heat exchanger and being configured to position said oil outlet port at the location of the oil outlet of the original equipment liquid-to-liquid heat exchanger, whereby the manifold is capable of receiving the flow of oil from the engine oil pump without leakage;

(c) mounting a remote oil cooling heat exchanger in a location distal from the location of the original equipment liquid-to-liquid heat exchanger, the remote oil cooling heat exchanger receiving a flow of oil from said manifold and cooling the flow of oil prior to retuning the flow of oil to the engine oil supply,

(d) the manifold further comprising a water passage providing an un-branched flow of water, the water passage having a water inlet port and a water outlet port, the manifold being configured to position the water inlet port adjacent the engine water coolant outlet of the engine at the location of the water inlet of the original equipment liquid-to-liquid heat exchanger, the manifold further being configured to position the manifold water outlet port so that the entirety of the flow of water in the bypass water passage is discharged back to the water cooling system of the engine without passing through the remote oil cooling heat exchanger.

2. The method of claim 1, wherein:
the vehicle has a front end and a rear end, and the method
further comprises mounting the remote oil cooling heat
exchanger proximal the front end of the vehicle.
3. The method of claim 2, wherein: 5
the vehicle comprises a radiator for cooling the engine
coolant, and the method further comprises mounting
the remote oil cooling heat exchanger proximal the
vehicle radiator.
4. The method of claim 1, wherein said remote heat 10
exchanger is an air-to-liquid heat exchanger.
5. The method of claim 4, wherein said air-to-liquid heat
exchanger is a tube-and-fin heat exchanger.
6. The method of claim 1, wherein:
the manifold includes at least one sensor port. 15
7. The method of claim 1, wherein:
the manifold includes a horizontally disposed recess
adapted to receive a particulate filter and the method
further comprises mounting a particulate filter in the
recess, the particulate filter having a filter screen with 20
a mesh size of at least 0.003 inch receiving a portion of
the flow of oil from said manifold.
8. The method of claim 7 wherein said filter screen is
removable.
9. The method of claim 1, further comprising: 25
mounting an oil filter to receive a flow of oil from the
outlet port of the manifold.
10. The method of claim 9, further comprising
mounting the oil filter to discharge the flow of oil from the
oil filter to the remote oil cooling heat exchanger. 30

* * * * *